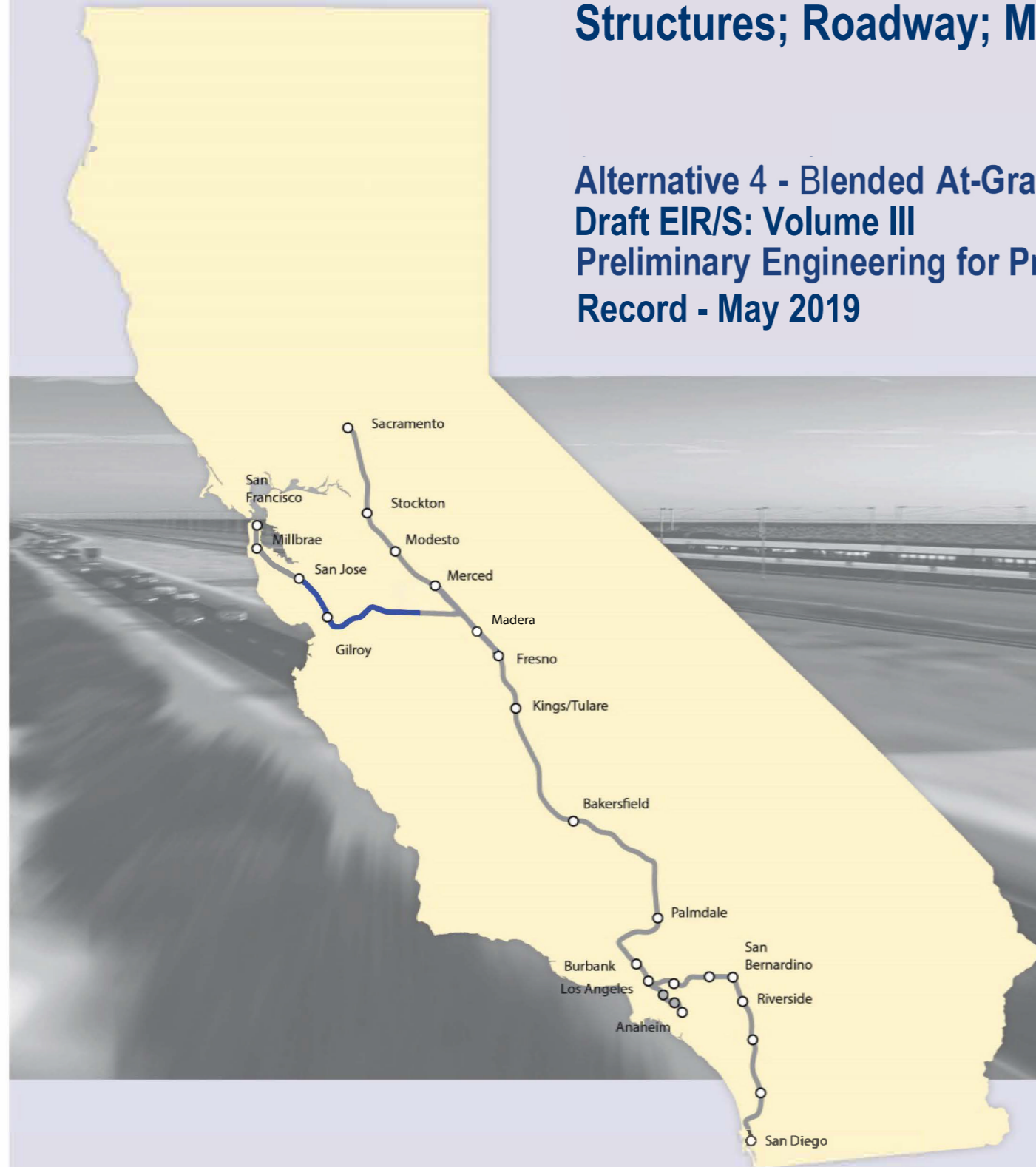


California High-Speed Rail Authority

San Jose to Merced Section: San Jose to Central Valley Wye

Structures; Roadway; Maintenance of Way

Alternative 4 - Blended At-Grade to Downtown Gilroy
Draft EIR/S: Volume III
Preliminary Engineering for Project Definition
Record - May 2019



**SAN JOSE TO CVY EIR/S: VOLUME III
ALTERNATIVE 4
BOOK 4D
SHEET 76 - 99 OF 148**

ALTERNATIVE 4 - CP COAST TO DOWNTOWN GILROY

BOOK	SHEET NO	DRAWING NO	SUBSECTION	GEOGRAPHIC LOCATION	ALIGNMENT OR FEATURE	SHEET DESCRIPTION	ADDITIONAL DESCRIPTION
------	----------	------------	------------	---------------------	----------------------	-------------------	------------------------

COVER, INDEX OF DRAWING AND KEY MAPS

BOOK 4D	A	COVER	SAN JOSE TO MERCED SECTION	N/A	SAN JOSE TO CENTRAL VALLEY WYE	ALTERNATIVE 4	
BOOK 4D	B	GE-A0404	ENTIRE ALTERNATIVE	COMPLEX STRUCTURES, GRADE SEPARATIONS, MAINTENANCE OF WAY	INDEX OF DRAWING	SHEET 4 OF 6	
BOOK 4D	C	GE-D0401	GENERAL	ENTIRE ALTERNATIVE	KEY MAP	COMPOSITE PLAN	
BOOK 4D	D	GE-D0402	GENERAL	ENTIRE ALTERNATIVE	KEY MAP	SYSTEMS SITES	SHEET 1 OF 2

STRUCTURE

BOOK 4D	76	ST-T4001	CP COAST TO GILROY	I-280 TO HWY 87	BLENDED AT-GRADE ALTERNATIVE	UNDERPASSES	GENERAL PLAN 1 OF 4
BOOK 4D	77	ST-T4002	CP COAST TO GILROY	N/A	BLENDED AT-GRADE ALTERNATIVE	UNDERPASSES	GENERAL PLAN 2 OF 4
BOOK 4D	78	ST-T4003	CP COAST TO GILROY	N/A	BLENDED AT-GRADE ALTERNATIVE	UNDERPASSES	GENERAL PLAN 3 OF 4
BOOK 4D	79	ST-T4004	CP COAST TO GILROY	N/A	BLENDED AT-GRADE ALTERNATIVE	UNDERPASSES	GENERAL PLAN 4 OF 4
BOOK 4D	80	ST-V4001	CP COAST TO GILROY	UPRR	BLENDED AT-GRADE ALTERNATIVE	COMPLEX STRUCTURES	GENERAL PLAN
BOOK 4D	81	ST-V1401	PACHECO PASS	CALIFORNIA AQUEDUCT TO CCID OUTSIDE CANAL	TUNNEL	COMPLEX STRUCTURES	GENERAL PLAN
BOOK 4D	82	ST-V1601	SAN JOAQUIN VALLEY	SAN LUIS WASTEWAY TO LOS BANOS CREEK	HENRY MILLER ROAD	COMPLEX STRUCTURES	GENERAL PLAN

ROADWAY

MORGAN HILL AND GILROY (CP COAST TO GILROY)

BOOK 4D	83	CV-S4001	CP COAST TO GILROY	EMADO AVE TO FOX LANE	BLENDED AT-GRADE ALTERNATIVE	CIVIL DETAILS	
---------	----	----------	--------------------	-----------------------	------------------------------	---------------	--

PACHECO PASS

BOOK 4D	84	CV-S1401	PACHECO PASS	ROMERO RD TO CA-152	TUNNEL	CIVIL DETAILS	
---------	----	----------	--------------	---------------------	--------	---------------	--

SAN JOAQUIN VALLEY

BOOK 4D	85	CV-S1601	SAN JOAQUIN VALLEY	MONTEREY RD TO INGOMAR GRADE	HENRY MILLER ROAD	CIVIL DETAILS	
BOOK 4D	86	CV-T1603	SAN JOAQUIN VALLEY	VOLTA RD TO HENRY MILLER RD	HENRY MILLER ROAD	GRADE SEPARATION LAYOUT, PROFILE, & CROSS SECTIONS	HENRY MILLER ROAD
BOOK 4D	87	CV-T1604	SAN JOAQUIN VALLEY	HENRY MILLER ACCESS	HENRY MILLER ROAD	GRADE SEPARATION LAYOUT, PROFILE, & CROSS SECTIONS	HENRY MILLER ACCESS
BOOK 4D	88	CV-T1606	SAN JOAQUIN VALLEY	HENRY MILLER RD TO MERCY SPRINGS RD	HENRY MILLER ROAD	GRADE SEPARATION LAYOUT, PROFILE, & CROSS SECTIONS	MERCY SPRINGS ROAD
BOOK 4D	89	CV-T1609	SAN JOAQUIN VALLEY	DELTA RD	HENRY MILLER ROAD	GRADE SEPARATION LAYOUT, PROFILE, & CROSS SECTIONS	DELTA ROAD
BOOK 4D	90	CV-T1610	SAN JOAQUIN VALLEY	TURNER ISLAND RD TO HENRY MILLER RD	HENRY MILLER ROAD	GRADE SEPARATION LAYOUT, PROFILE, & CROSS SECTIONS	TURNER ROAD
BOOK 4D	91	CV-T1611	SAN JOAQUIN VALLEY	CARLUCCI RD	HENRY MILLER ROAD	GRADE SEPARATION LAYOUT, PROFILE, & CROSS SECTIONS	CARLUCCI ROAD
BOOK 4D	92	CV-T1612	SAN JOAQUIN VALLEY	HUTCHINS RD	HENRY MILLER ROAD	GRADE SEPARATION LAYOUT, PROFILE, & CROSS SECTIONS	HUTCHINS ROAD

MAINTENANCE OF WAY

BOOK 4D	93	MY-D4100	CP COAST TO GILROY	CARNADERO AVE TO UPRR	BLENDED AT-GRADE ALTERNATIVE	MOWF DETAIL	SHEET 1 OF 4
BOOK 4D	94	MY-D4101	CP COAST TO GILROY	BLOOMFIELD RD	BLENDED AT-GRADE ALTERNATIVE	MOWF DETAIL	SHEET 2 OF 4
BOOK 4D	95	MY-D4102	CP COAST TO GILROY	N/A	BLENDED AT-GRADE ALTERNATIVE	MOWF DETAIL	SHEET 3 OF 4
BOOK 4D	96	MY-D4103	CP COAST TO GILROY	N/A	BLENDED AT-GRADE ALTERNATIVE	MOWF DETAIL	SHEET 4 OF 4
BOOK 4D	97	MY-D4104	CP COAST TO GILROY	N/A	BLENDED AT-GRADE ALTERNATIVE	UPRR PROFILE FOR MOWF	SHEET 1 OF 2
BOOK 4D	98	MY-D4105	CP COAST TO GILROY	N/A	BLENDED AT-GRADE ALTERNATIVE	UPRR PROFILE FOR MOWF	SHEET 2 OF 2
BOOK 4D	99	MY-D4106	CP COAST TO GILROY	N/A	BLENDED AT-GRADE ALTERNATIVE	MAINTENANCE OF WAY FACILITY	UPRR AND MOWF ACCESS GEOMETRICS

SAN JOSE TO CVY EIR/S: VOLUME III
ALTERNATIVE 4
BOOK 4D
SHEET B

\$USER \$DATE \$TIME \$ \$PLTDRVS \$ \$PENTBL \$ \$FILE \$

REV	DATE	BY	CHK	APP	DESCRIPTION

DESIGNED BY
DRAWN BY
CHECKED BY
IN CHARGE
DATE

RECORD PEPD
SUBMITTAL

MAY 3, 2019

NOT FOR
CONSTRUCTION

1111 Broadway
9th Floor
Oakland, CA 94607

CALIFORNIA

High-Speed Rail Authority

CALIFORNIA HIGH-SPEED TRAIN PROJECT

SAN JOSE TO MERCED

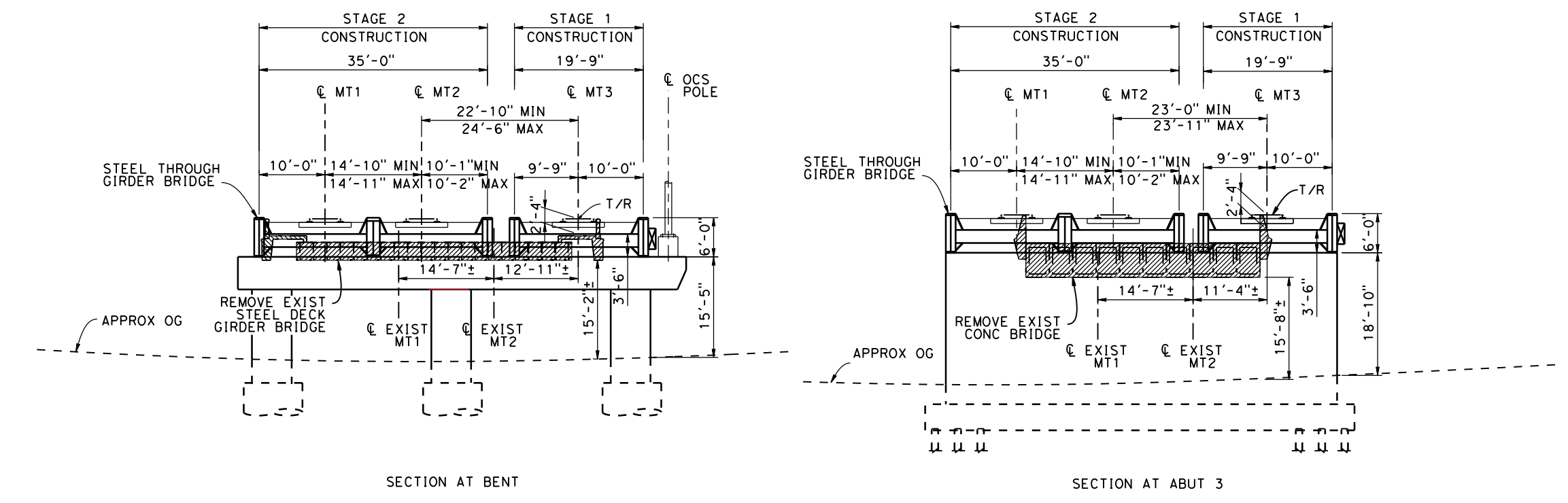
ALTERNATIVE 4

INDEX OF DRAWING

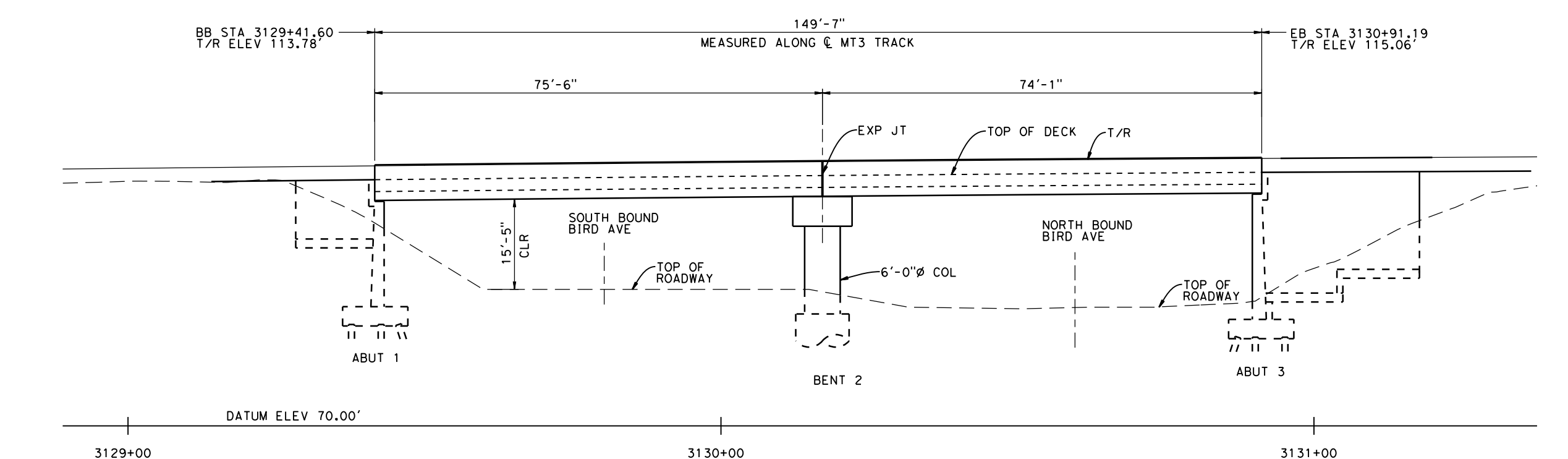
SHEET 4 OF 6

CONTRACT NO. HSR15-34
DRAWING NO. GE-A0404
SCALE NONE
SHEET NO.

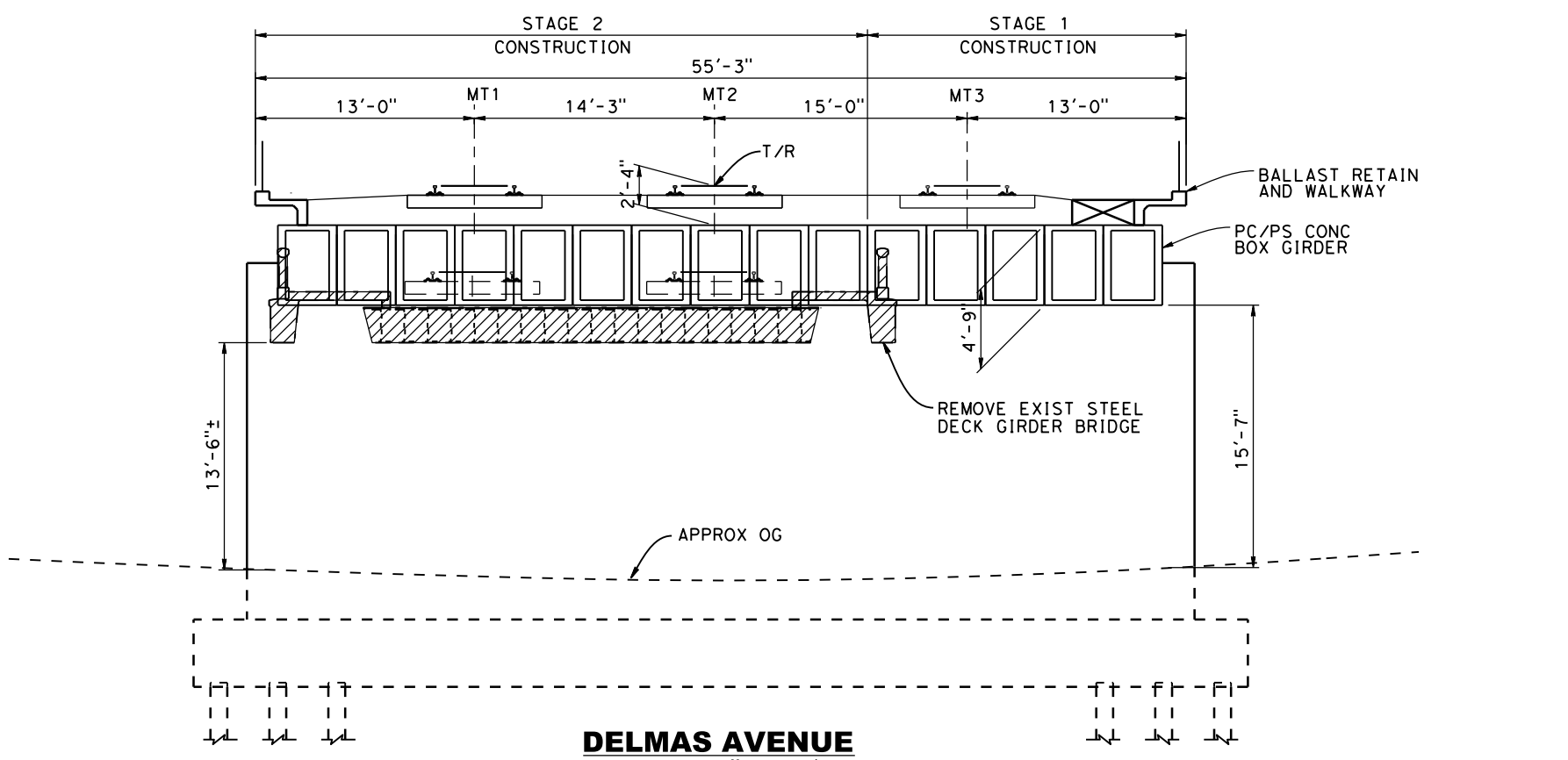
4/29/2019 10:44:54 AM C:\p05077.tbl C:\cadd\p05\dwg\p05\p05.dwg C:\Users\jw\Documents\40371\comer\user\2025\alt4\alt4-317-14002.dwg



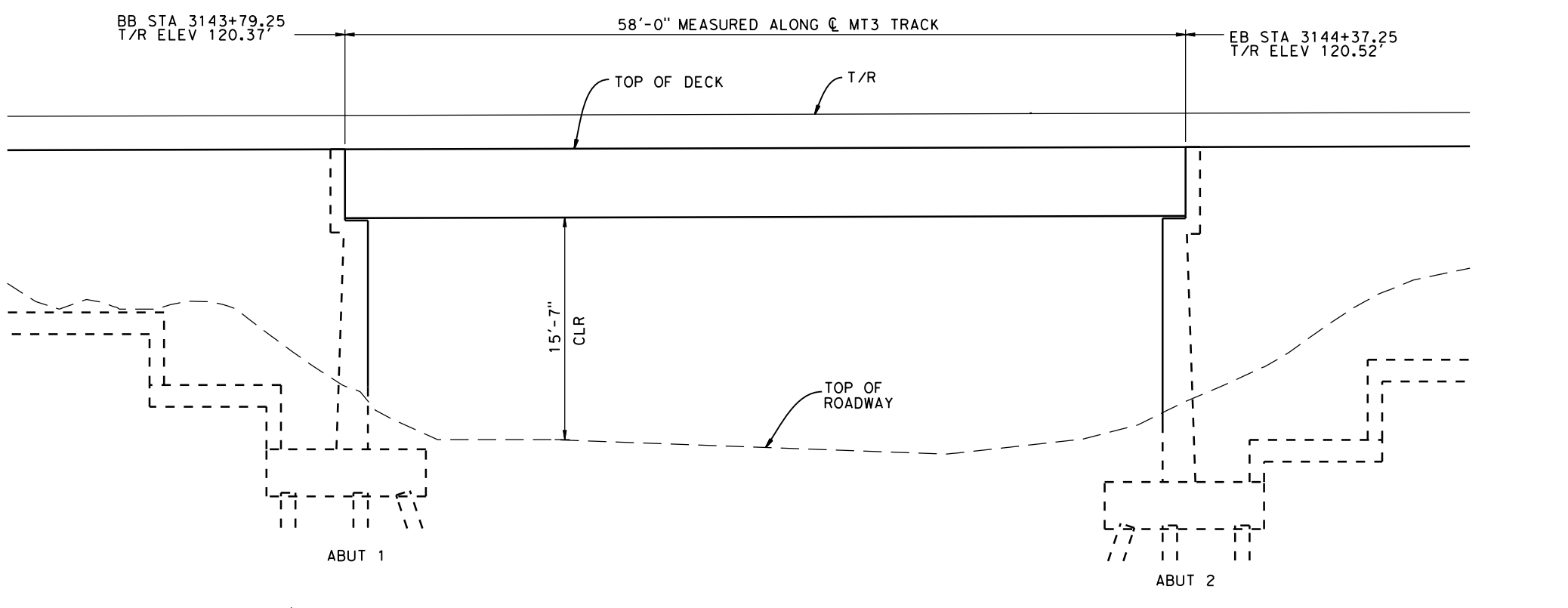
BIRD AVENUE
SCALE: 1" = 20'



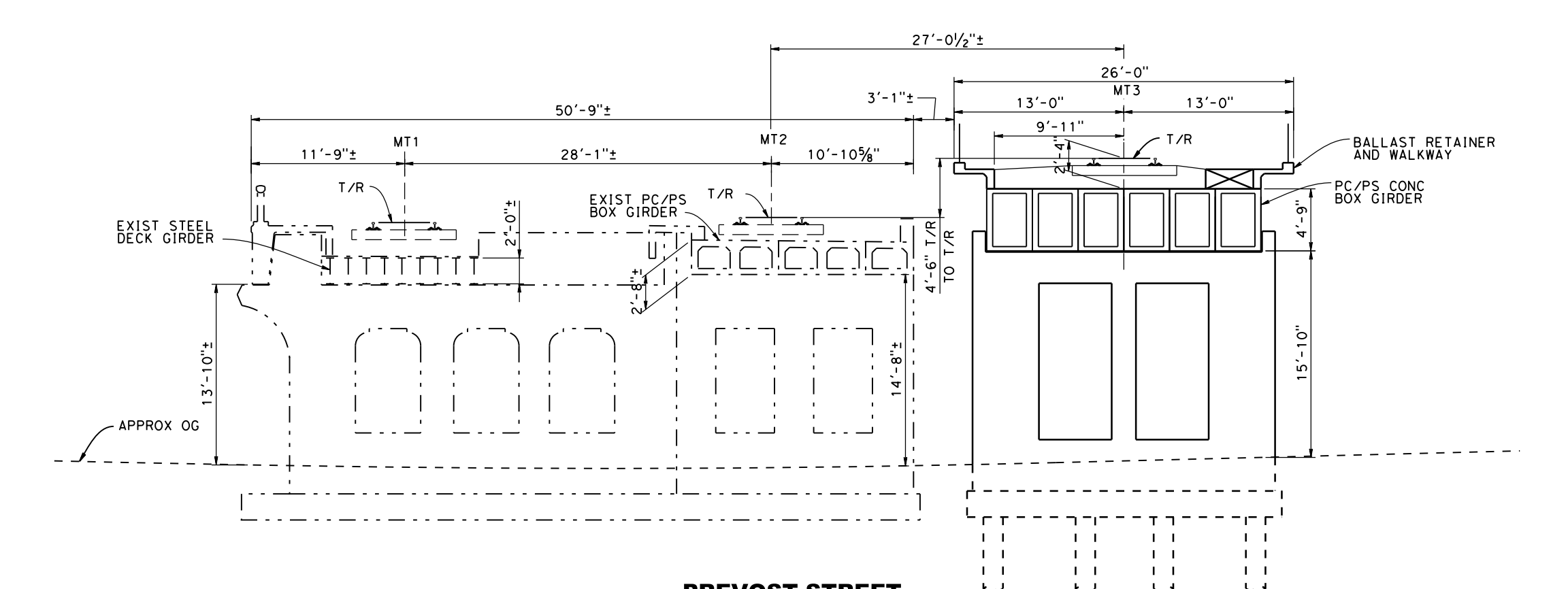
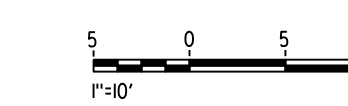
ELEVATION
SCALE: 1" = 20'



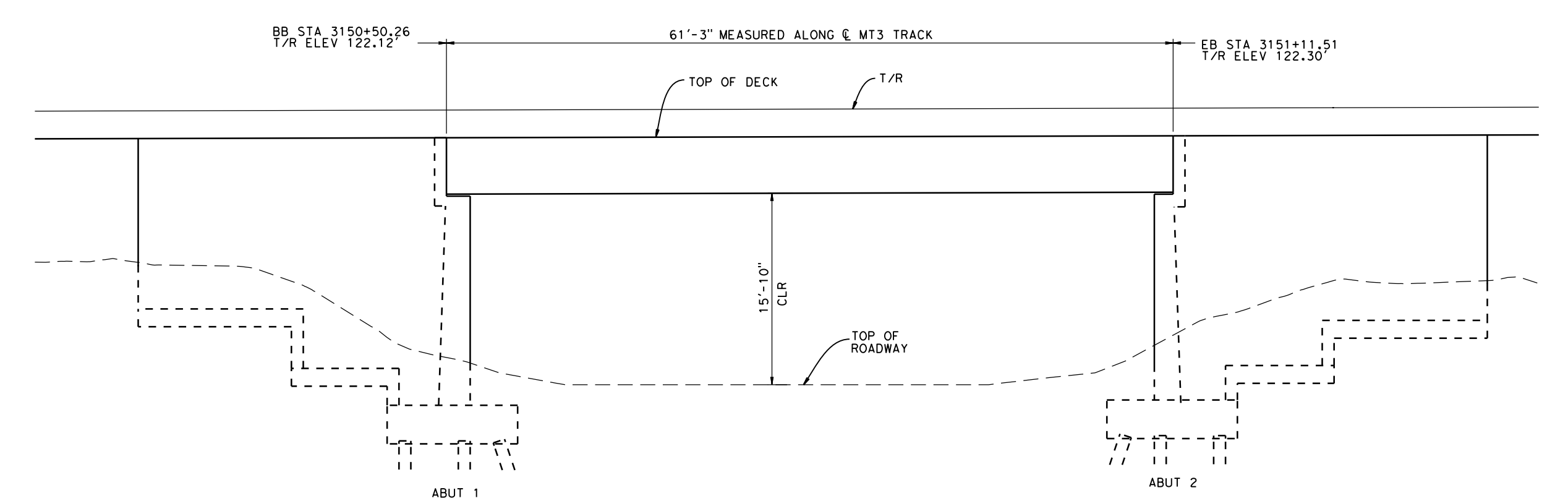
DELMAS AVENUE
SCALE: 1" = 10'



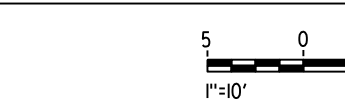
ELEVATION
SCALE: 1" = 10'



PREVOST STREET
SCALE: 1" = 10'

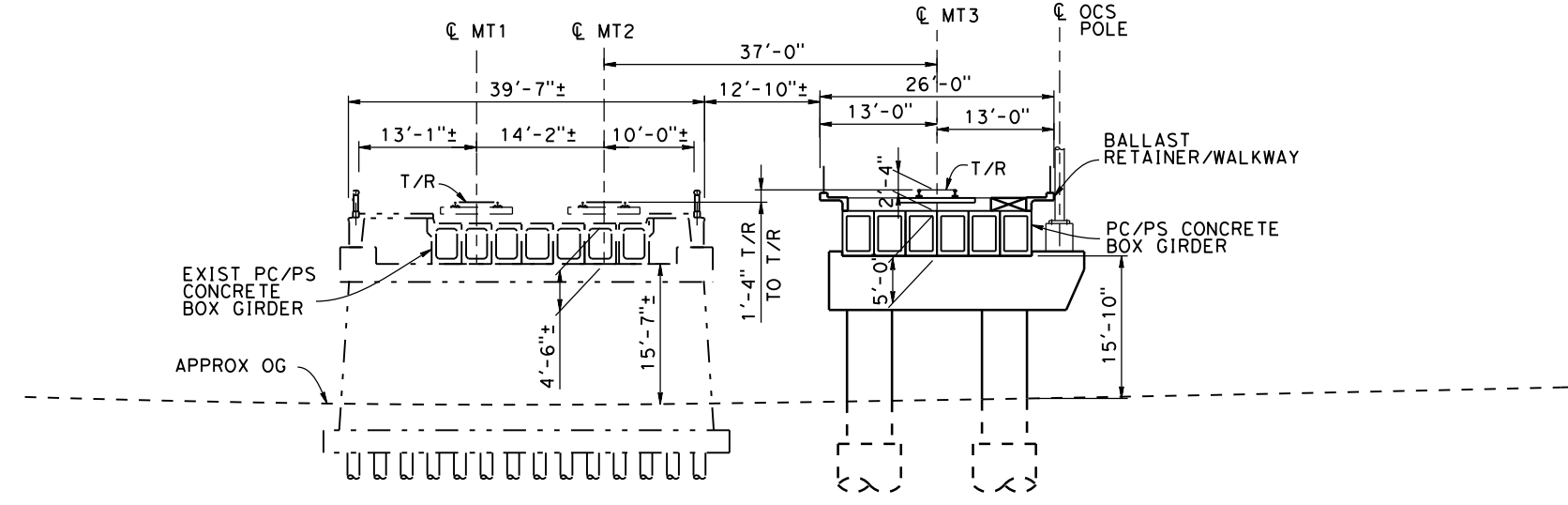


ELEVATION
SCALE: 1" = 10'

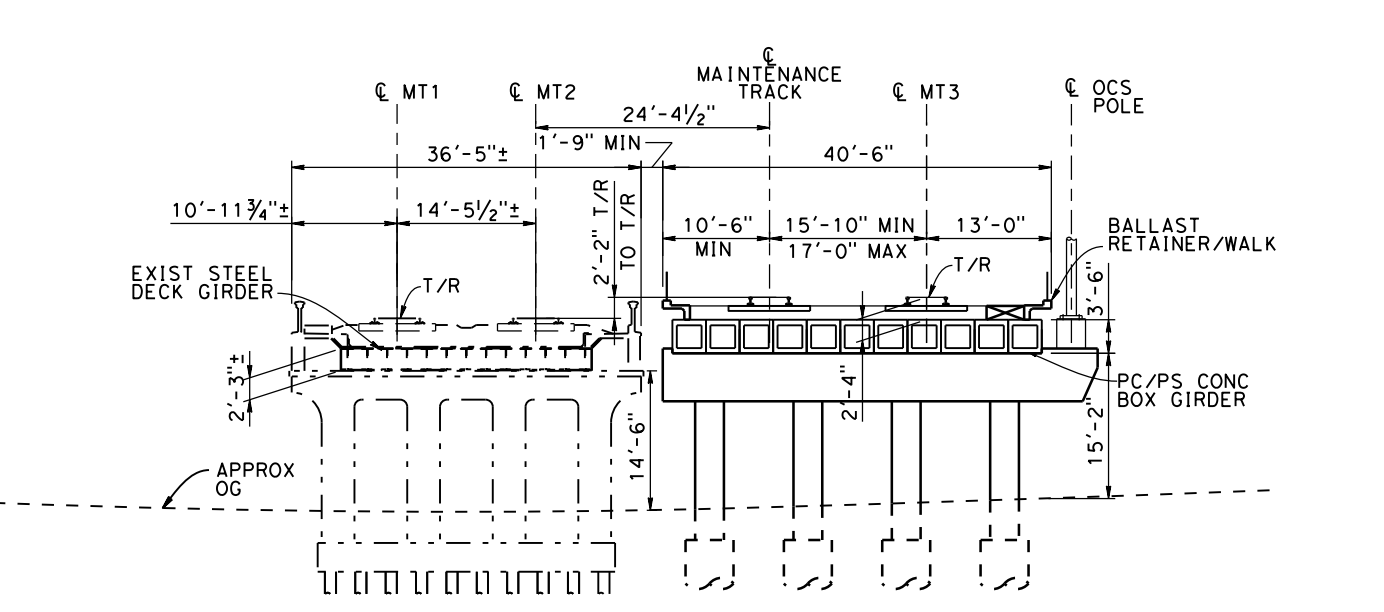


SAN JOSE TO CVY EIR/S: VOLUME III
ALTERNATIVE 4
BOOK 4D
SHEET 77 OF 148

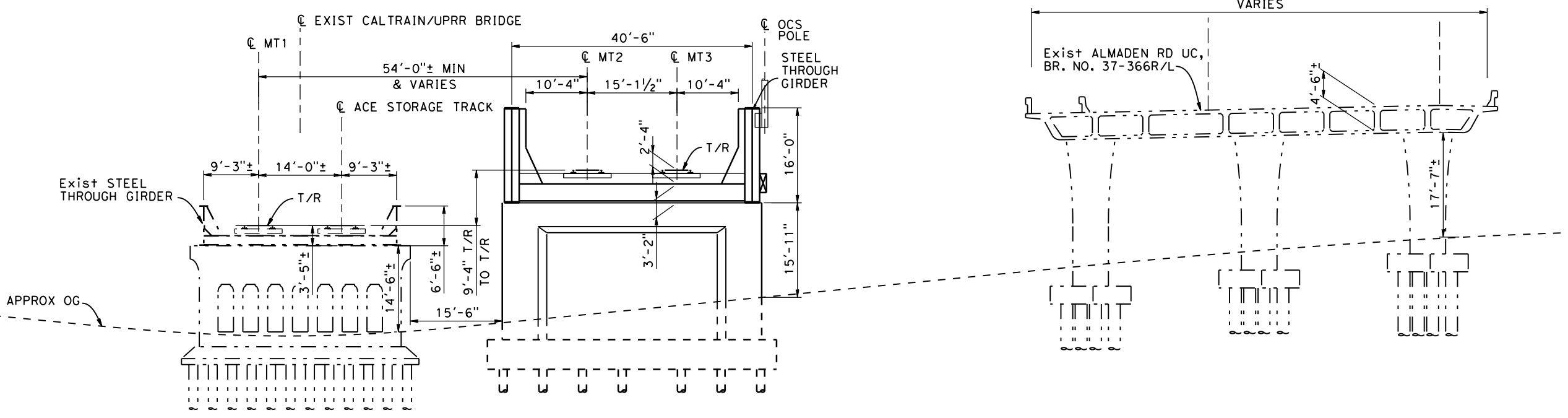
RECORD PERM SUBMITTAL MAY 3, 2019 NOT FOR CONSTRUCTION		1111 Broadway 9th Floor Oakland, CA 94607		CALIFORNIA HIGH-SPEED TRAIN PROJECT SAN JOSE TO MERCED CP COAST TO GILROY AT-GRADE ALTERNATIVE UNDERPASSES GENERAL PLAN 2 OF 4	CONTRACT NO. HSR15-34 DRAWING NO. ST-T4002 SCALE AS SHOWN SHEET NO.
---	--	---	--	---	---



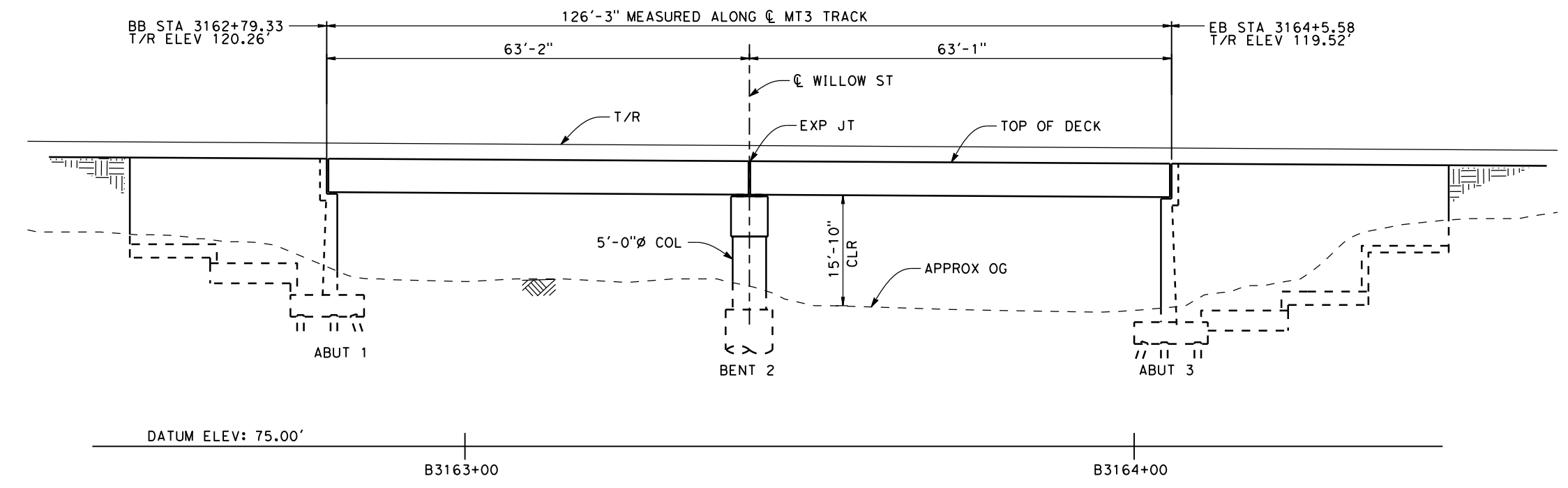
TYPICAL SECTION AT BENT 2
SCALE: 1" = 20'



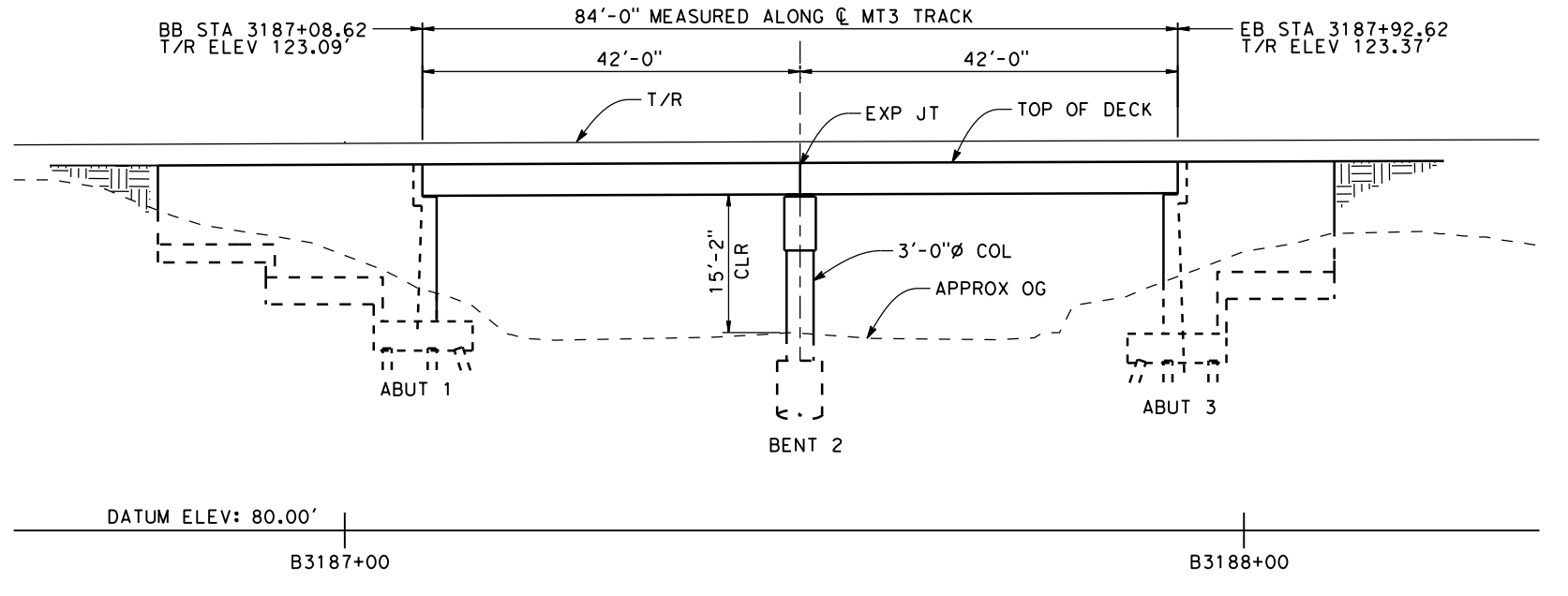
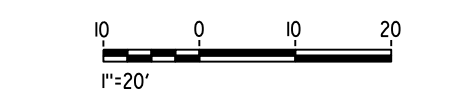
TYPICAL SECTION AT BENT 2
SCALE: 1" = 20'



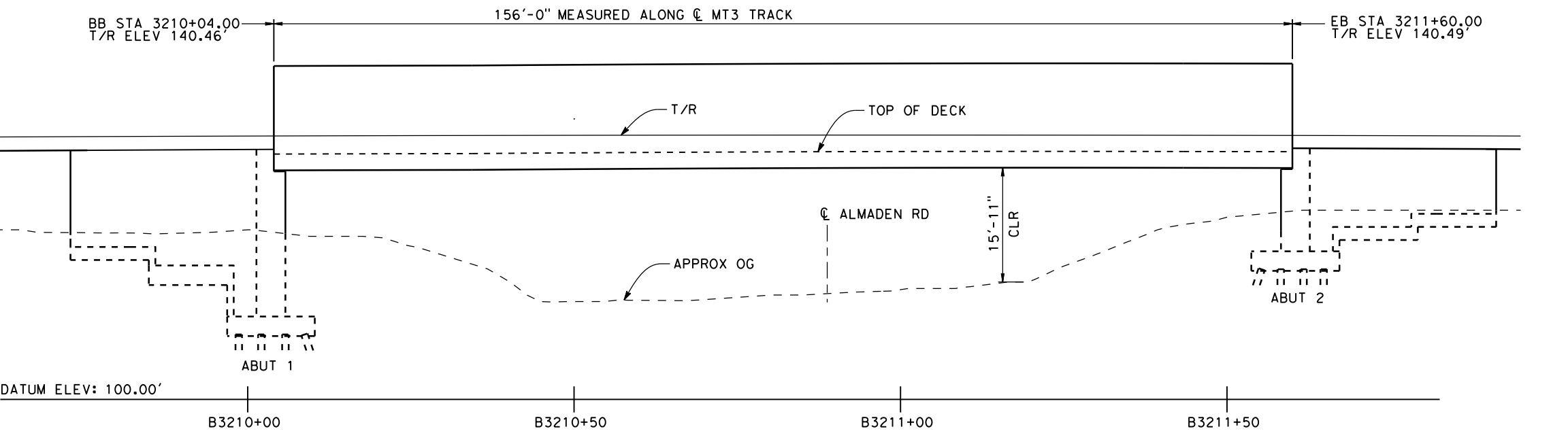
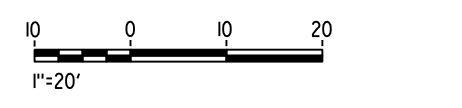
TYPICAL SECTION AT ABUT 2
SCALE: 1" = 20'



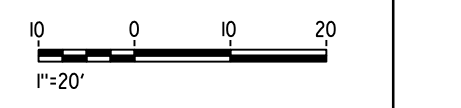
ELEVATION - WILLOW ST
SCALE: 1" = 20'



ELEVATION - ALMA
SCALE: 1" = 20'

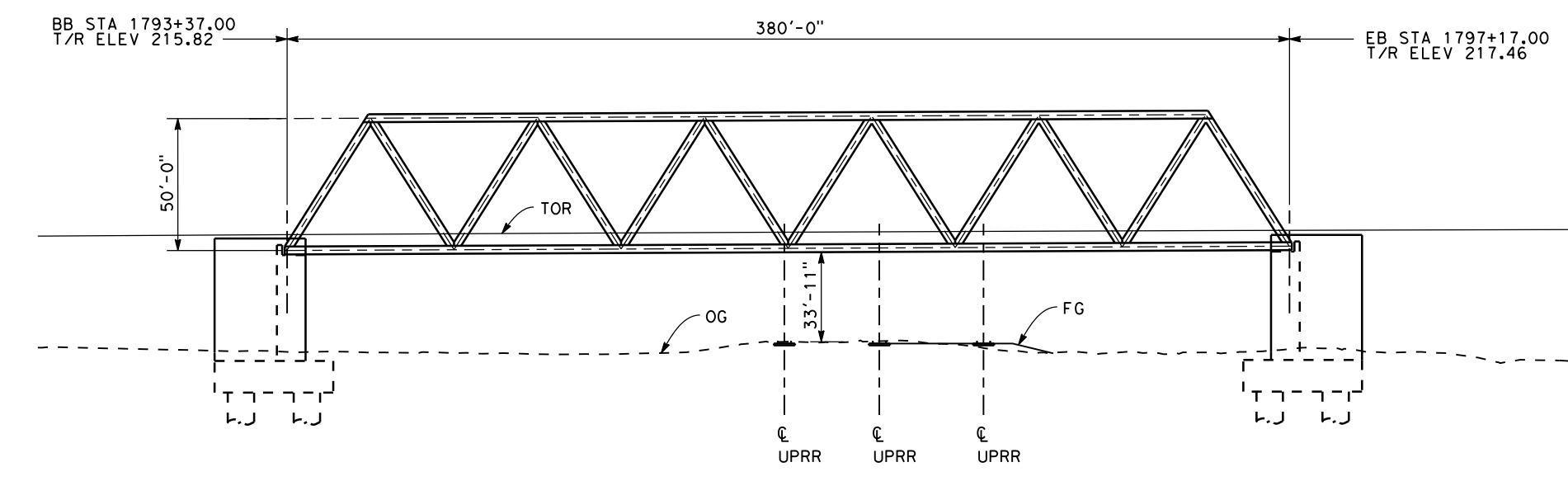


ELEVATION - ALMADEN RD
SCALE: 1" = 20'

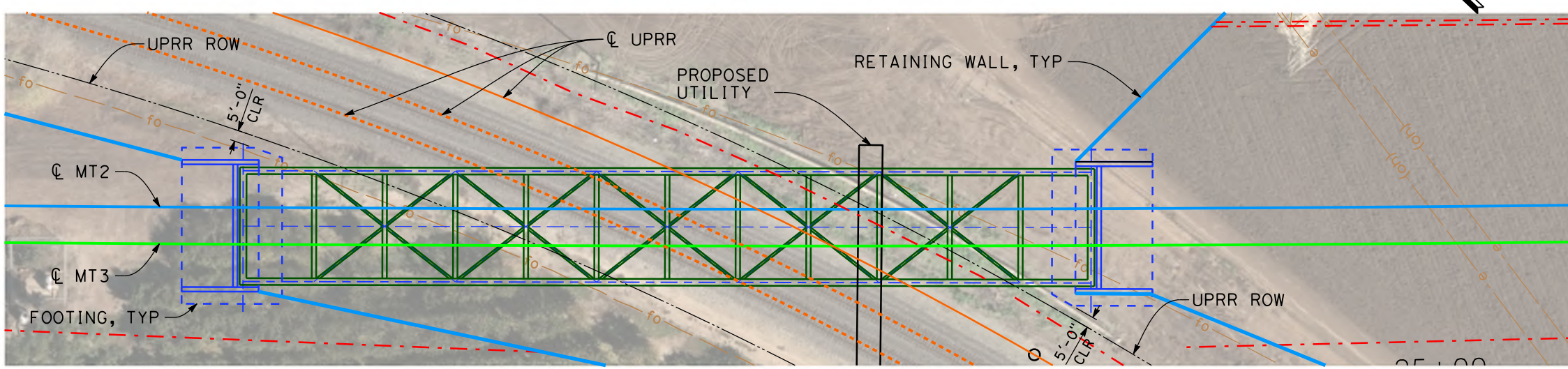


SAN JOSE TO CVY EIR/S: VOLUME III
ALTERNATIVE 4
BOOK 4D
SHEET 78 OF 148

RECORD PERM SUBMITTAL MAY 3, 2019 NOT FOR CONSTRUCTION	HNTB 1111 Broadway 9th Floor Oakland, CA 94607		CALIFORNIA HIGH-SPEED TRAIN PROJECT SAN JOSE TO MERCED CP COAST TO GILROY BLENDED AT-GRADE ALTERNATIVE UNDERPASSES GENERAL PLAN 3 OF 4	CONTRACT NO. HSR15-34 DRAWING NO. ST-T4003 SCALE AS SHOWN SHEET NO.
---	--	--	--	--

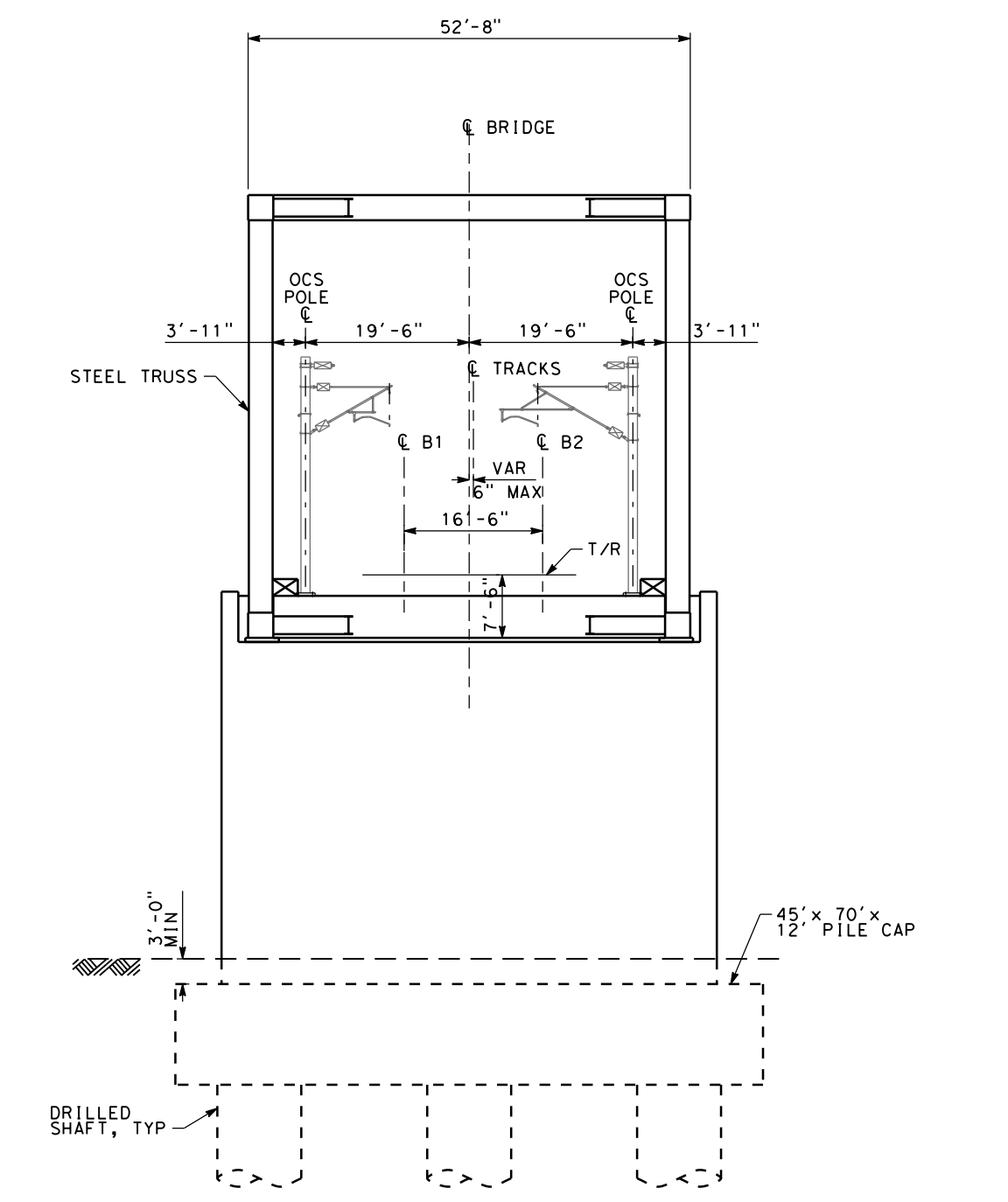
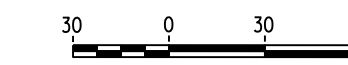


ELEVATION
SCALE: 1" = 60'

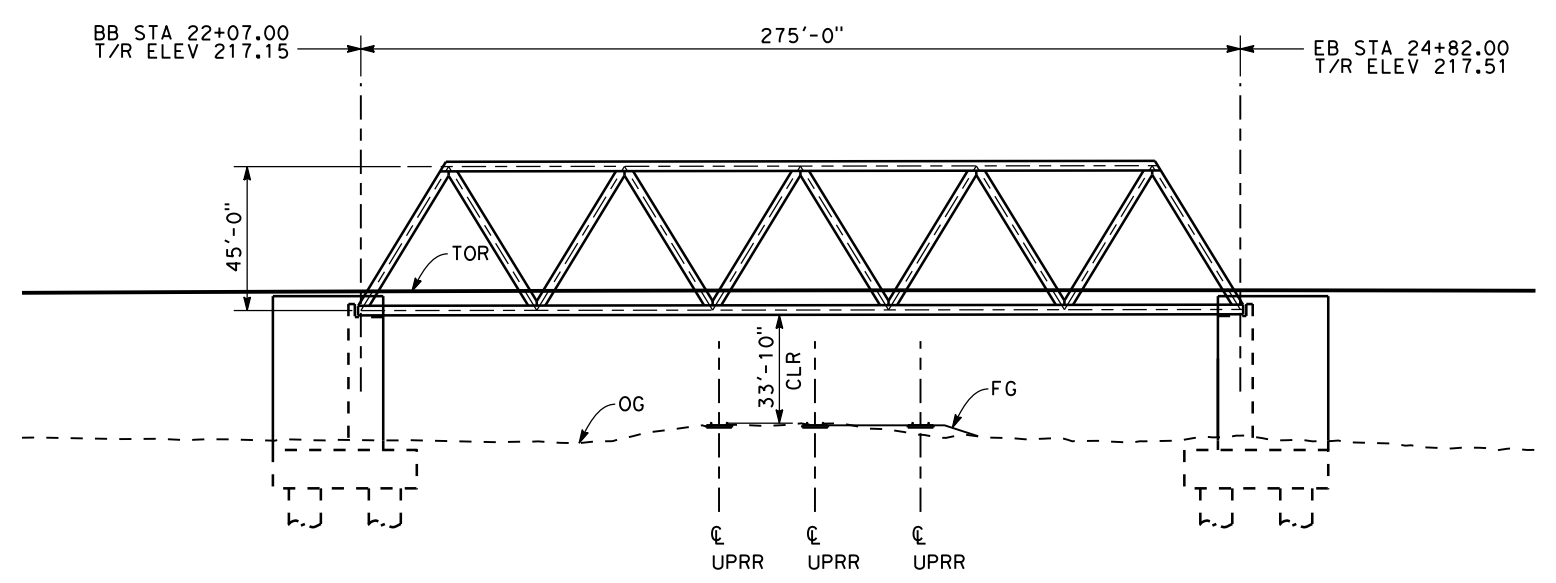
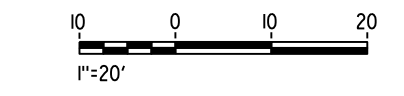


PLAN
SCALE: 1" = 60'

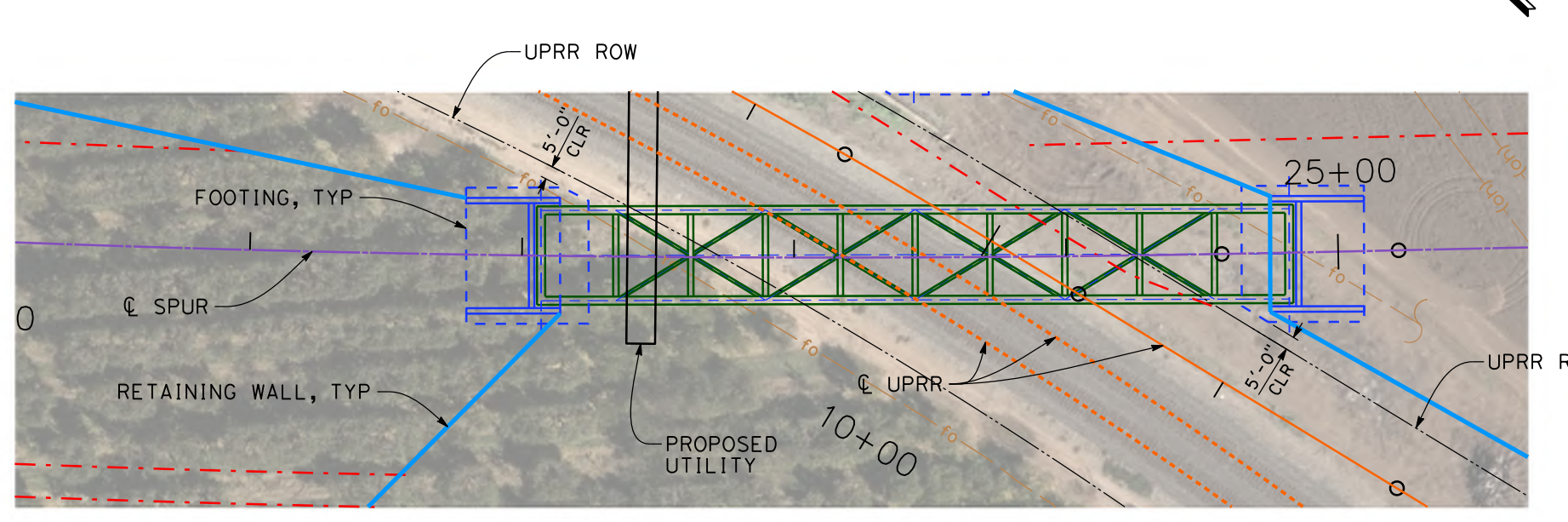
TRUSS: 2 HSR TRACKS OVER 3 UPRR TRACKS



TYPICAL SECTION
SCALE: 1" = 20'

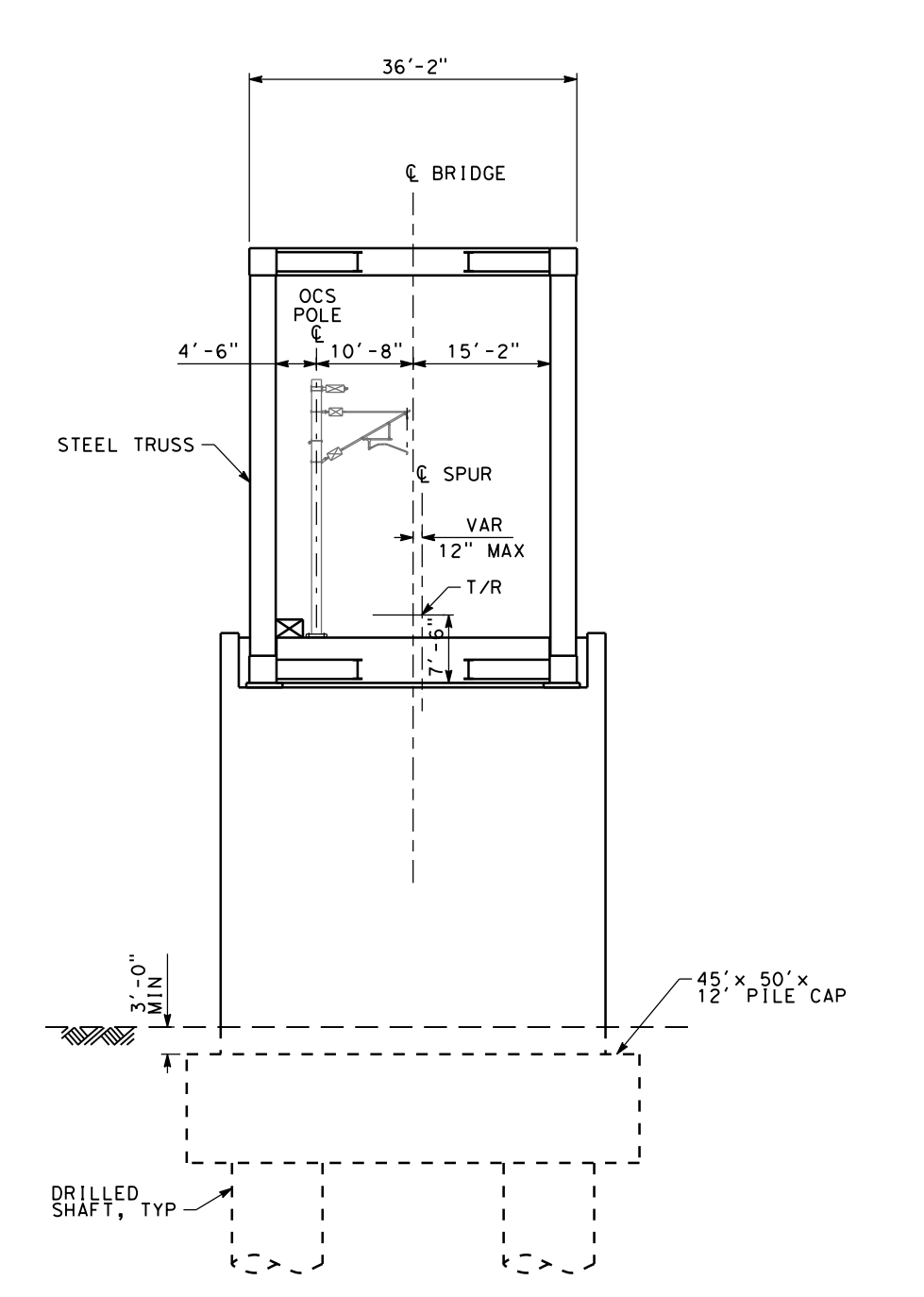
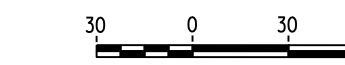


ELEVATION
SCALE: 1" = 60'

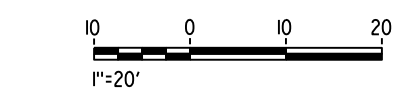


PLAN
SCALE: 1" = 60'

TRUSS: MOWF SPUR TRACK OVER 3 UPRR TRACKS



TYPICAL SECTION
SCALE: 1" = 20'



SAN JOSE TO CVY EIR/S: VOLUME III
ALTERNATIVE 4
BOOK 4D
SHEET 80 OF 148

RECORD PEPD SUBMITTAL
MAY 3, 2019

RECORD PEPD
SUBMITTAL
MAY 3, 2019
NOT FOR
CONSTRUCTION

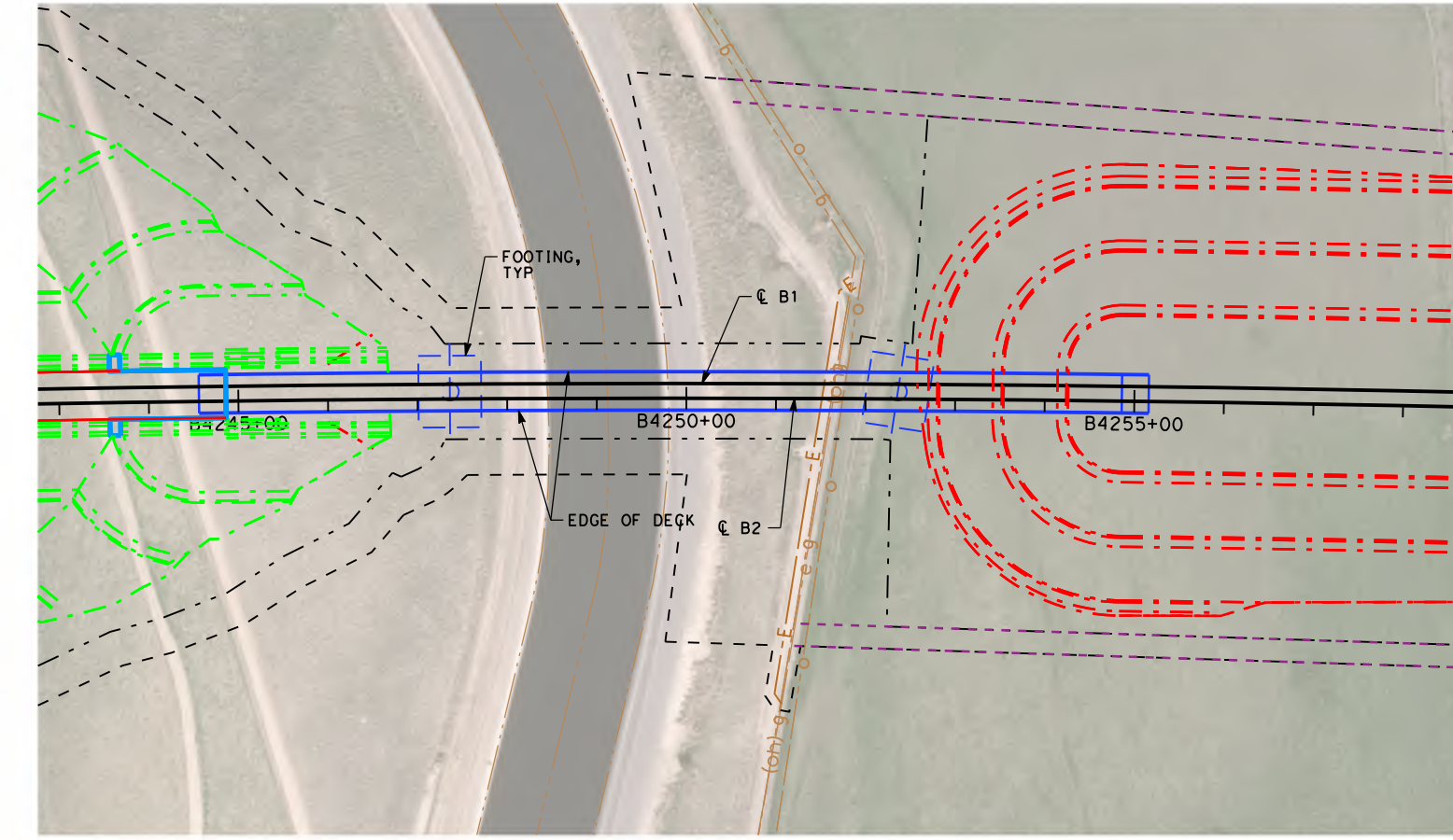


1111 Broadway
9th Floor
Oakland, CA 94607



CALIFORNIA HIGH-SPEED TRAIN PROJECT
SAN JOSE TO MERCED
CP COAST TO GILROY
BLENDED AT-GRADE ALTERNATIVE
COMPLEX STRUCTURES
GENERAL PLAN

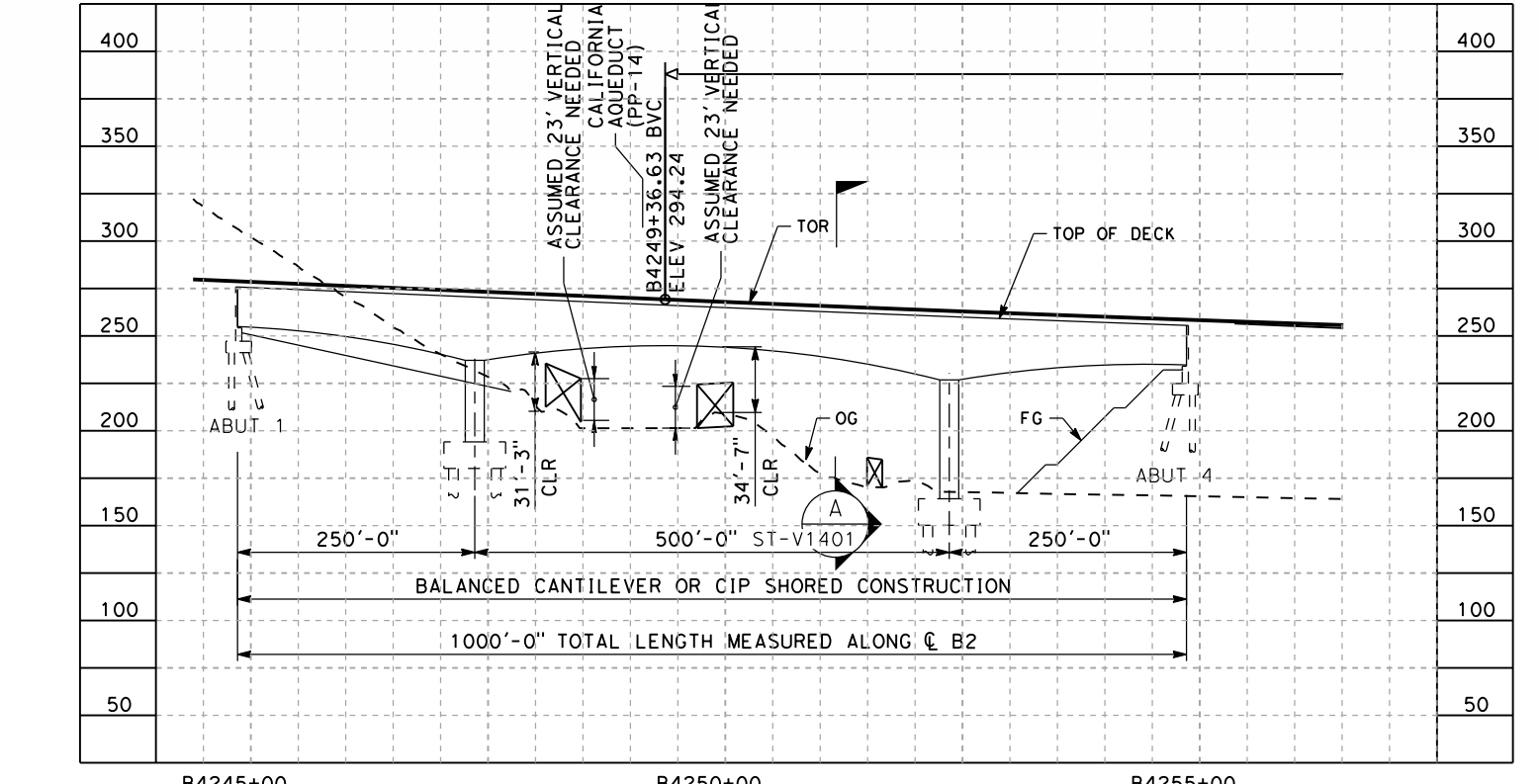
CONTRACT NO.
HSR15-34
DRAWING NO.
ST-V4001
SCALE
AS SHOWN
SHEET NO.



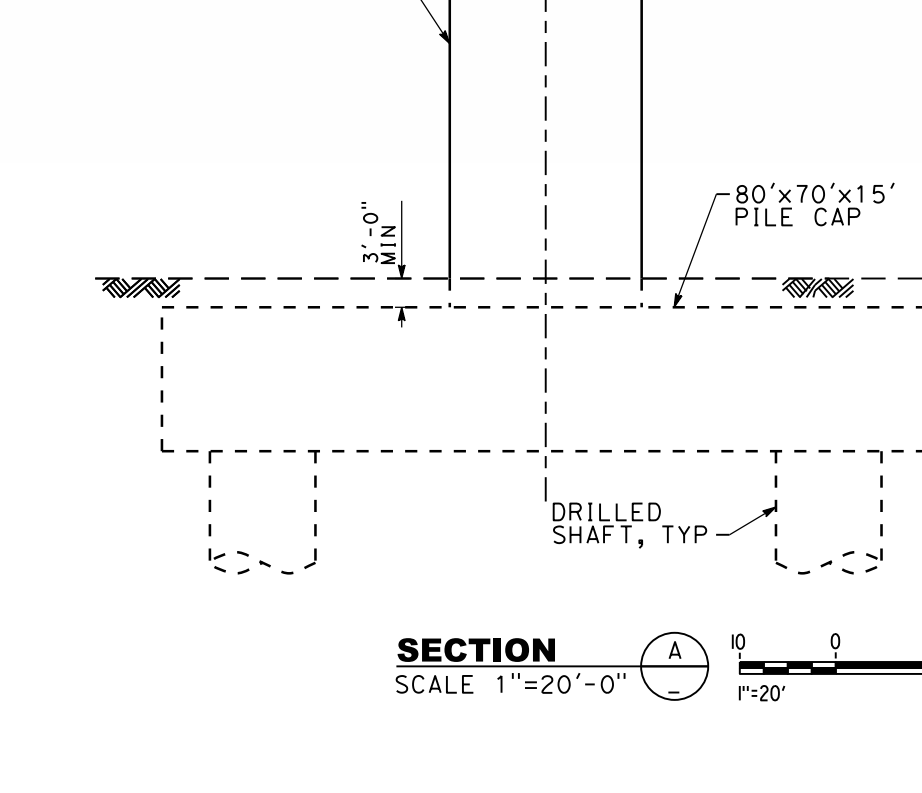
PLAN - CALIFORNIA AQUEDUCT
SCALE: 1"=200'



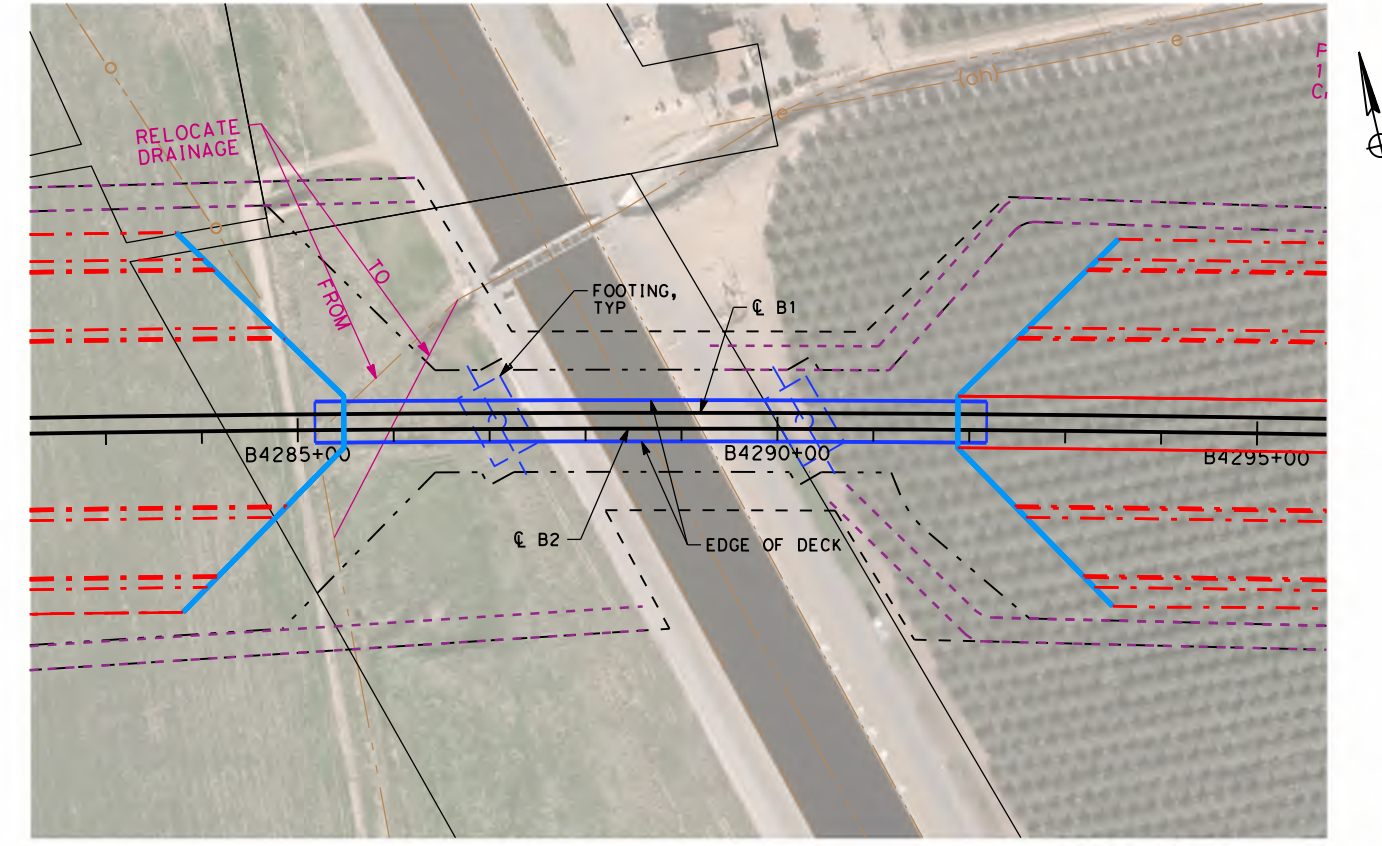
SECTION
SCALE 1"=20'-0"



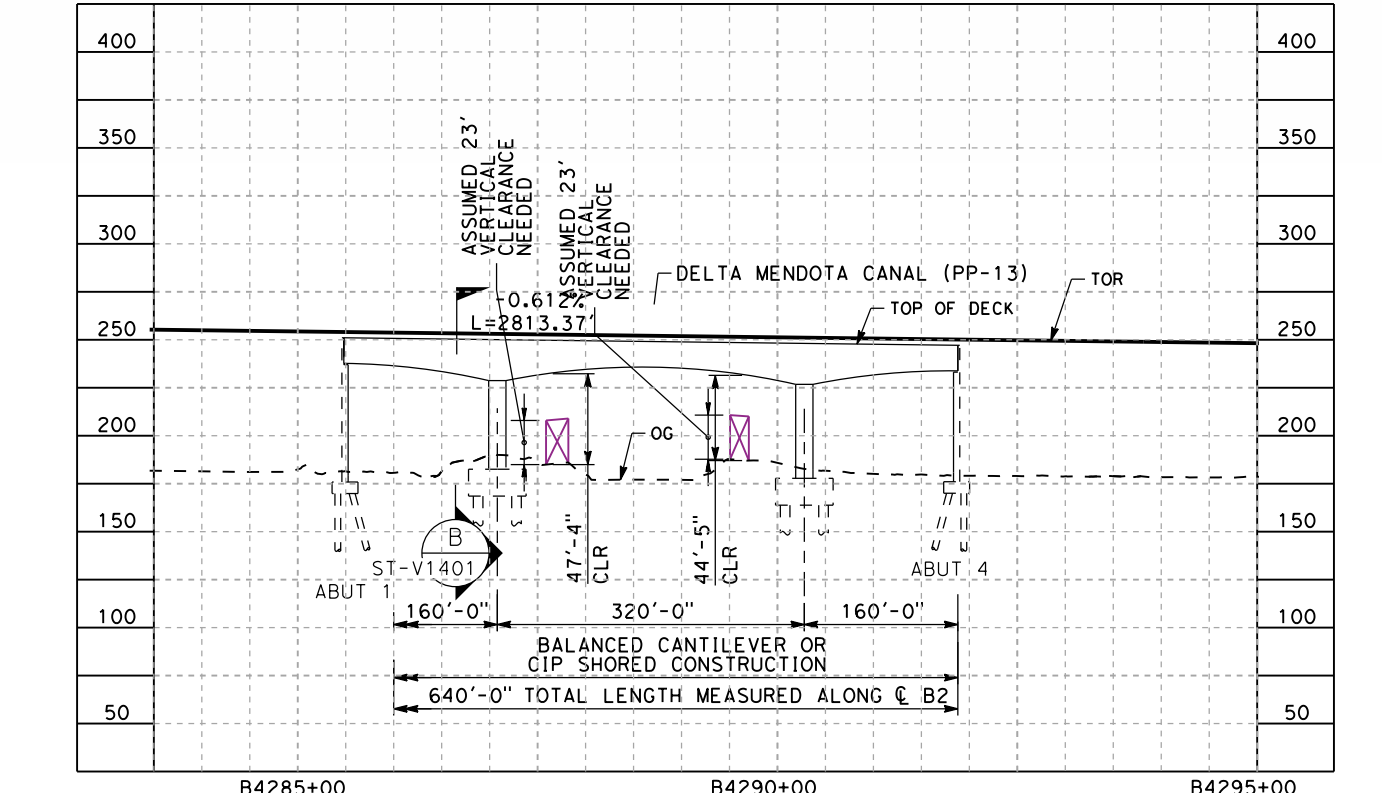
PROFILE - CALIFORNIA AQUEDUCT
SCALE: 1"=200' HOR, 1"=100' VERT



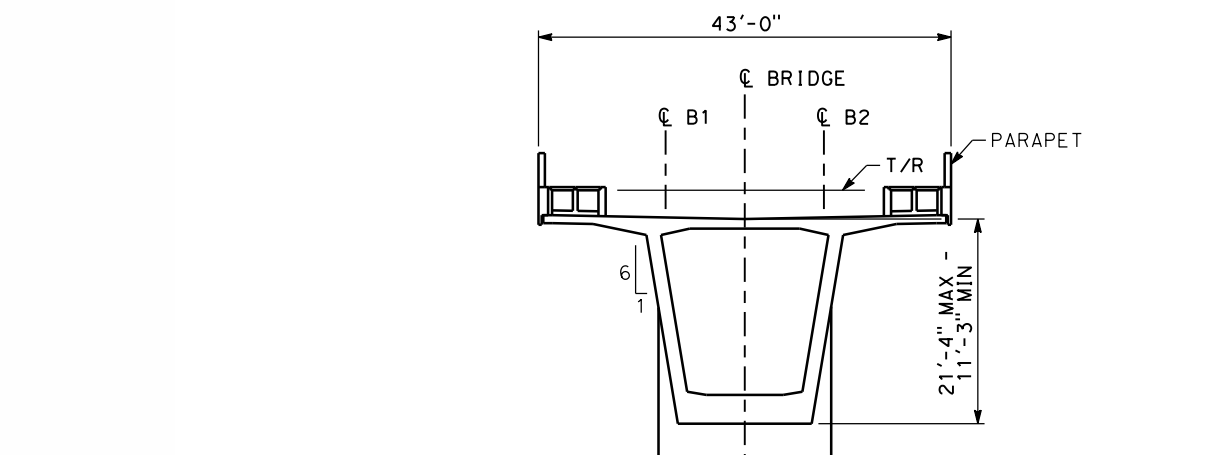
SECTION
SCALE 1"=20'-0"



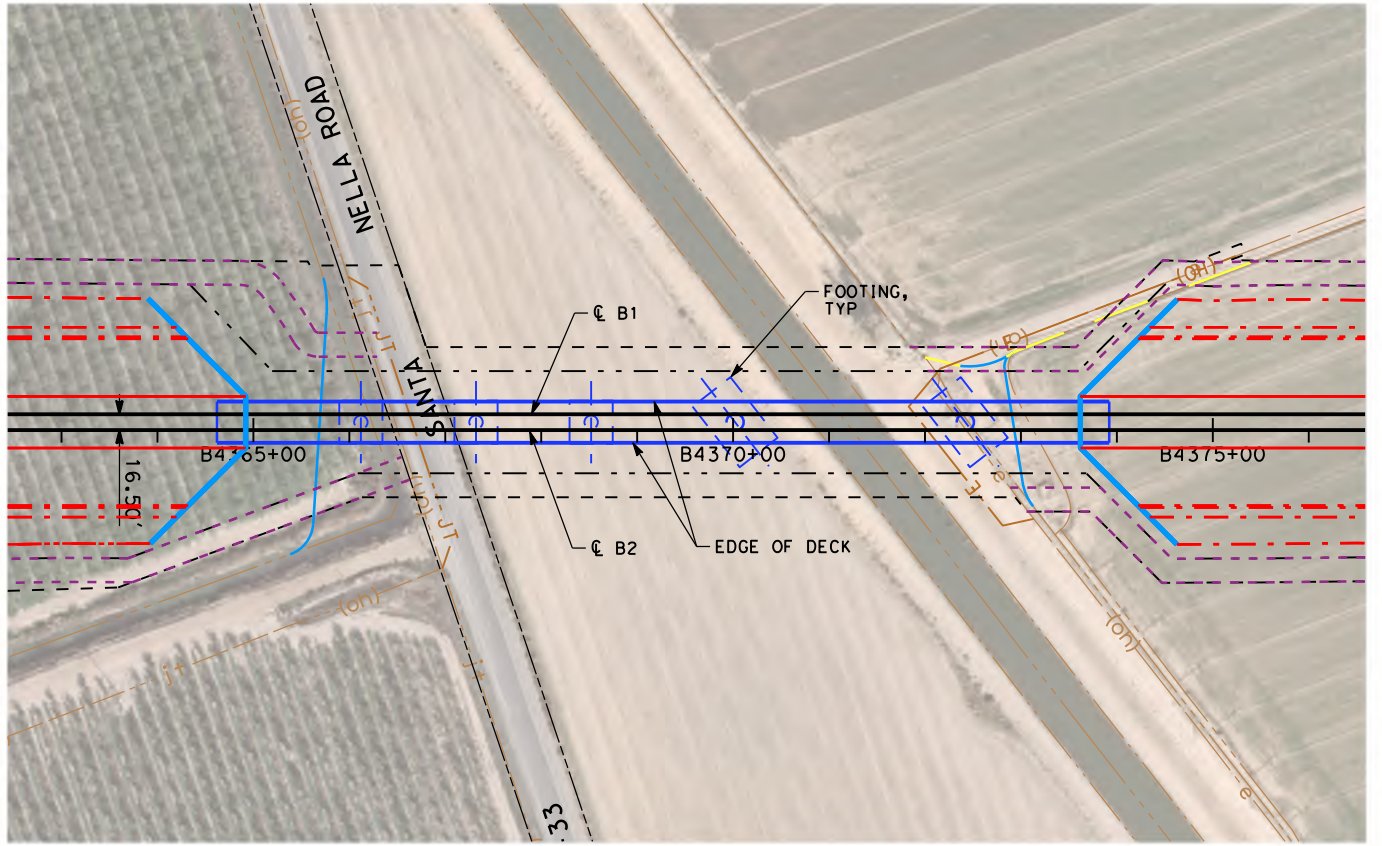
PLAN - DELTA MENDOTA
SCALE: 1"=200'



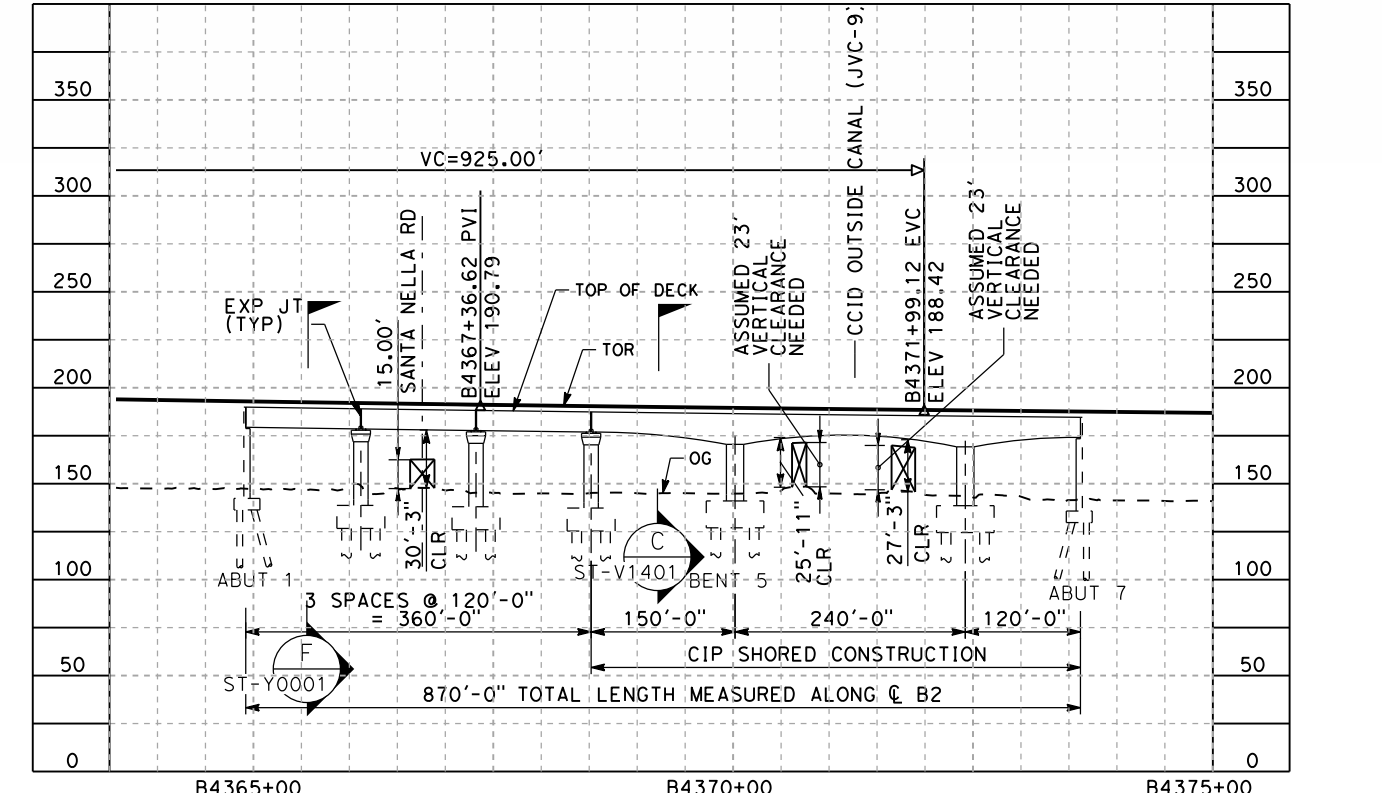
PROFILE - DELTA MENDOTA
SCALE: 1"=200' HOR, 1"=100' VERT



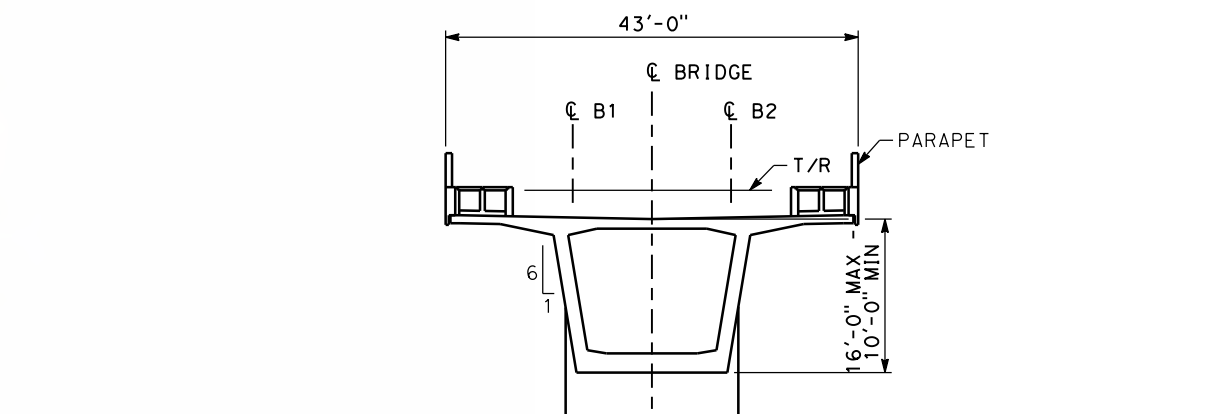
SECTION
SCALE 1"=20'-0"



PLAN - CCID OUTSIDE CANAL
SCALE: 1"=200'



PROFILE - CCID OUTSIDE CANAL
SCALE: 1"=200' HOR, 1"=100' VERT

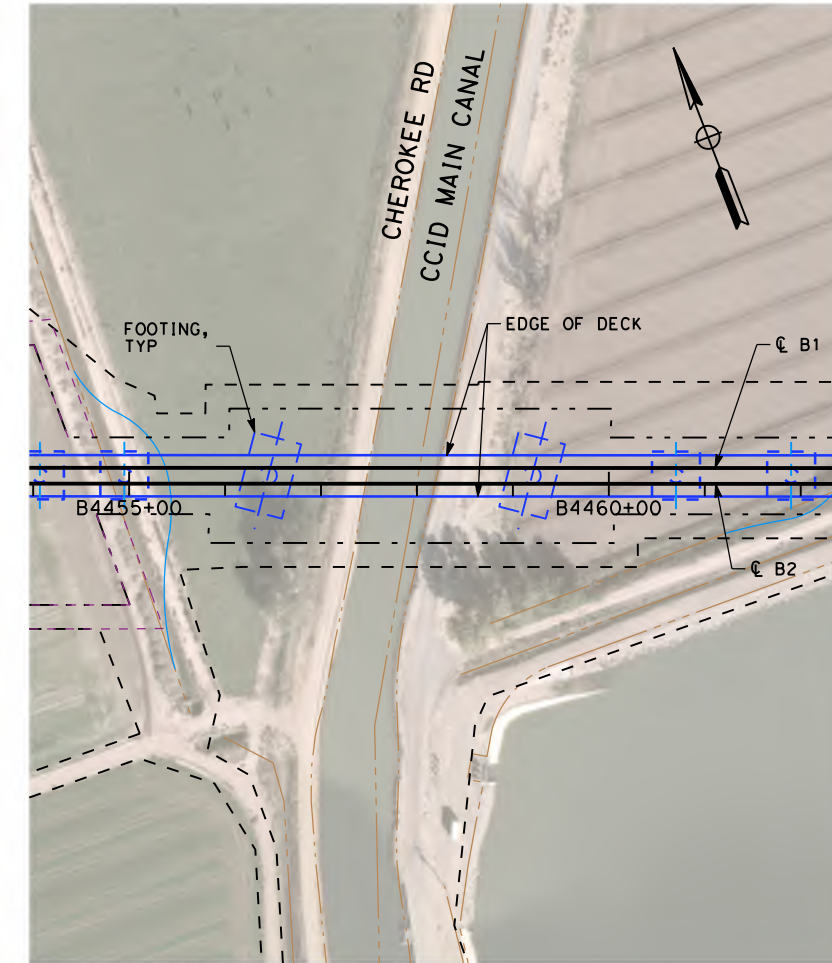


SECTION
SCALE 1"=20'-0"

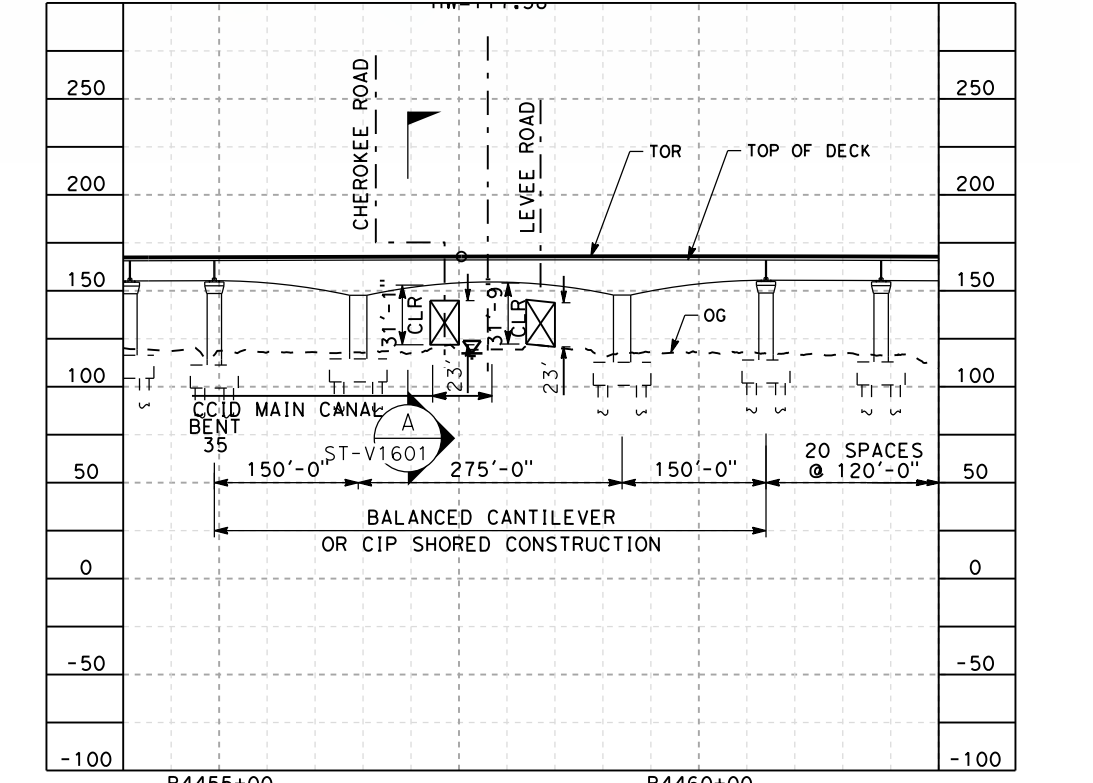
NOTE:
1. REFER TO GENERAL NOTES SHEETS GE-B0001 AND GE-B0002 FOR NOTES.

SAN JOSE TO CVY EIR/S: VOLUME III
ALTERNATIVE 4
BOOK 4D
SHEET 81 OF 148

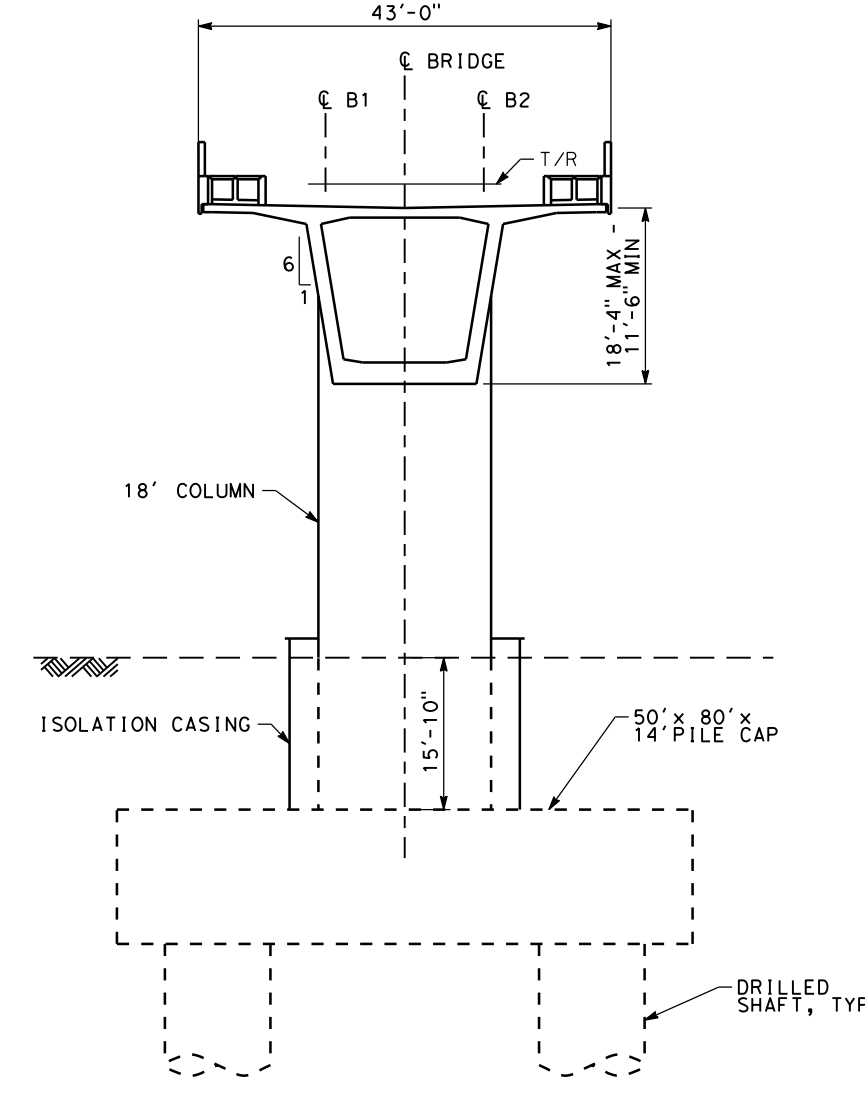
RECORD PERM SUBMITTAL MAY 3, 2019 NOT FOR CONSTRUCTION		1111 Broadway 9th Floor Oakland, CA 94607		CALIFORNIA HIGH-SPEED TRAIN PROJECT SAN JOSE TO MERCED TUNNEL PACHECO PASS COMPLEX STRUCTURES GENERAL PLAN	CONTRACT NO. HSR15-34 DRAWING NO. ST-V1401 SCALE AS SHOWN SHEET NO.
--	--	---	--	---	---



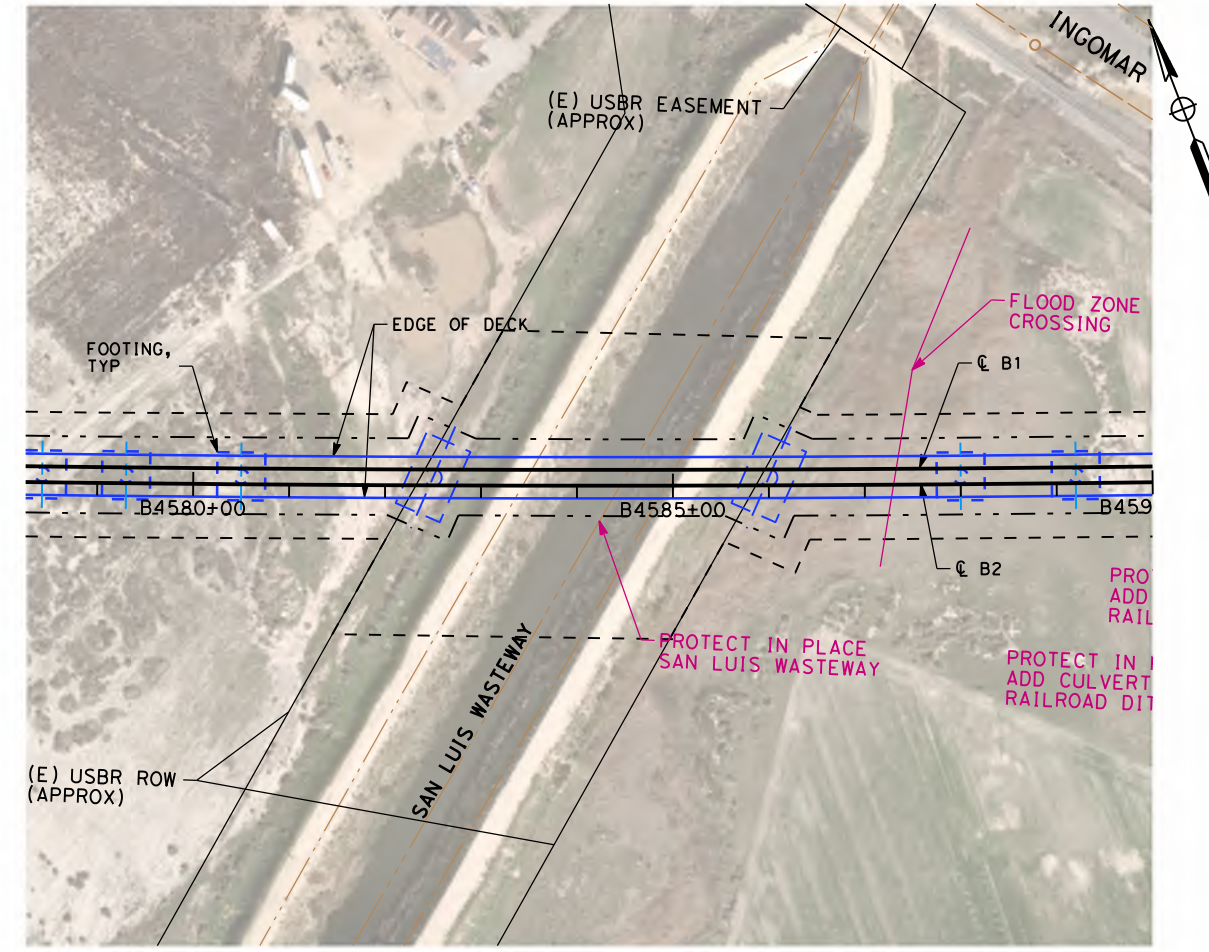
PLAN - CHEROKEE (LEVEE) RD
SCALE: 1"=200'



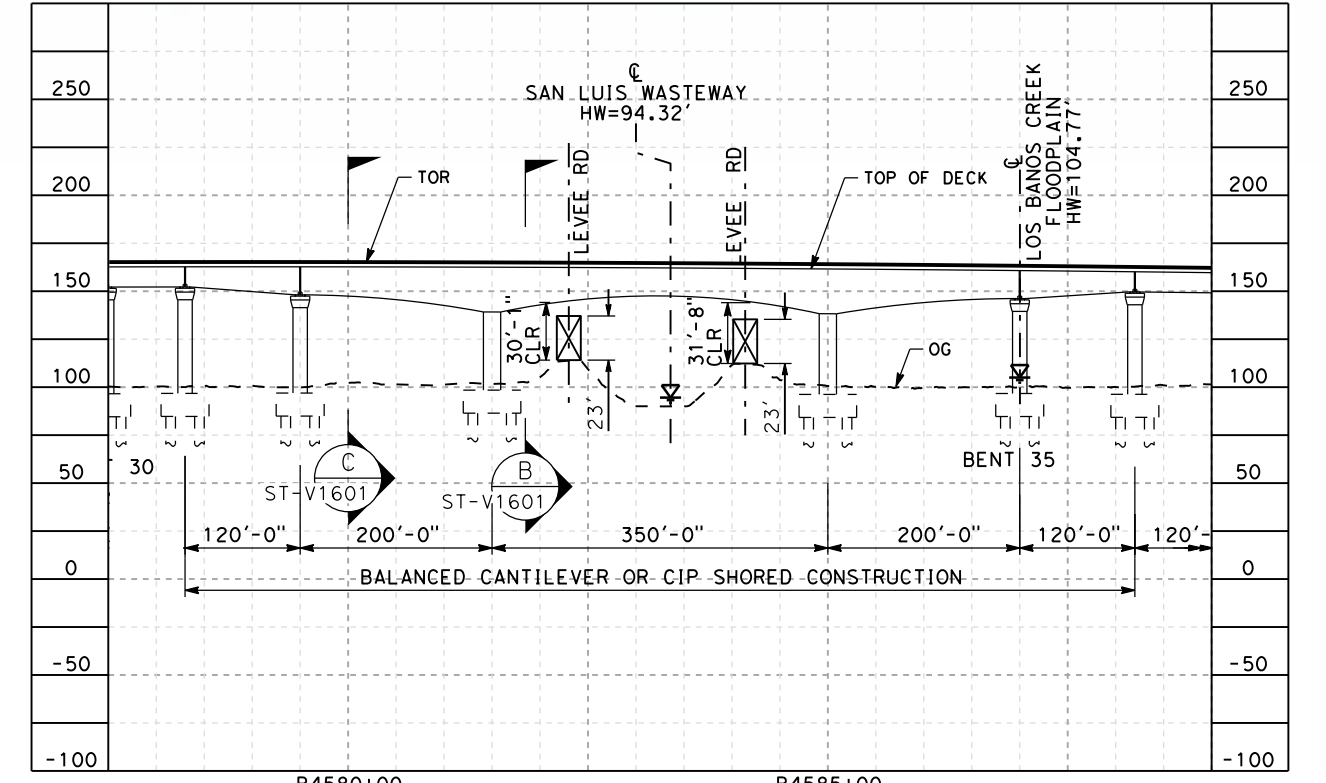
PROFILE - CHEROKEE (LEVEE) RD
SCALE: 1"=200' HOR, 1"=100' VERT



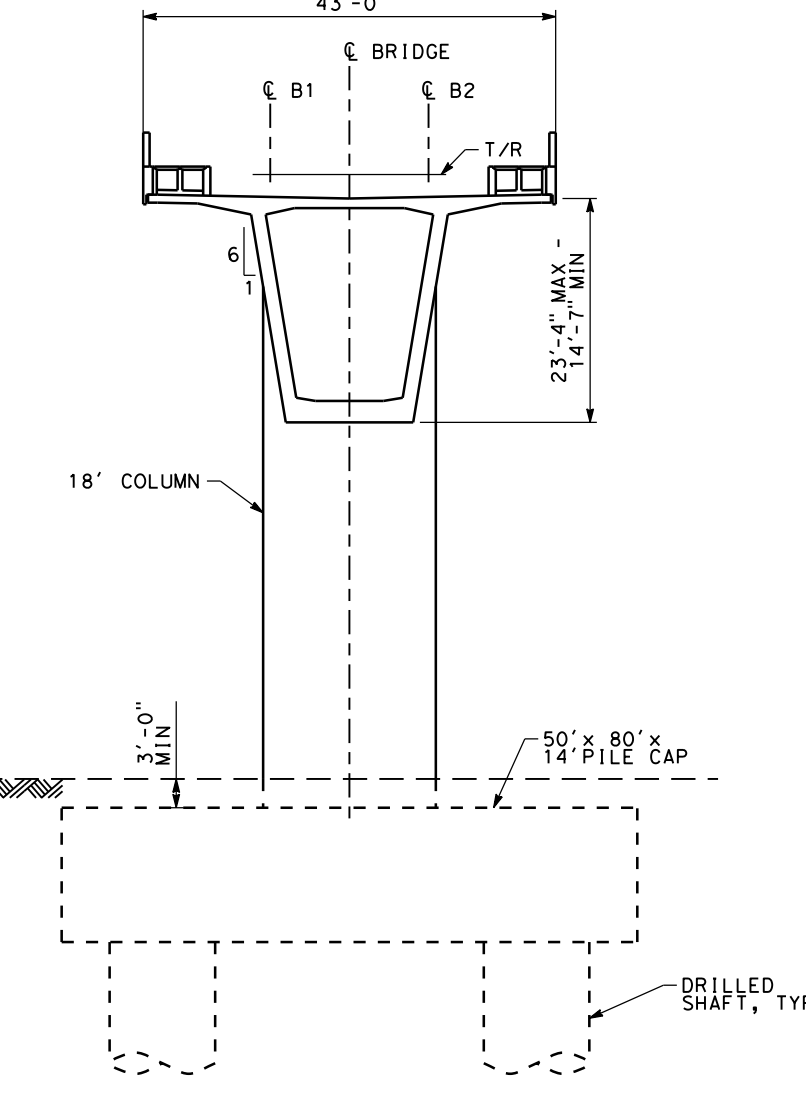
SECTION A-A
SCALE 1"=20'-0"



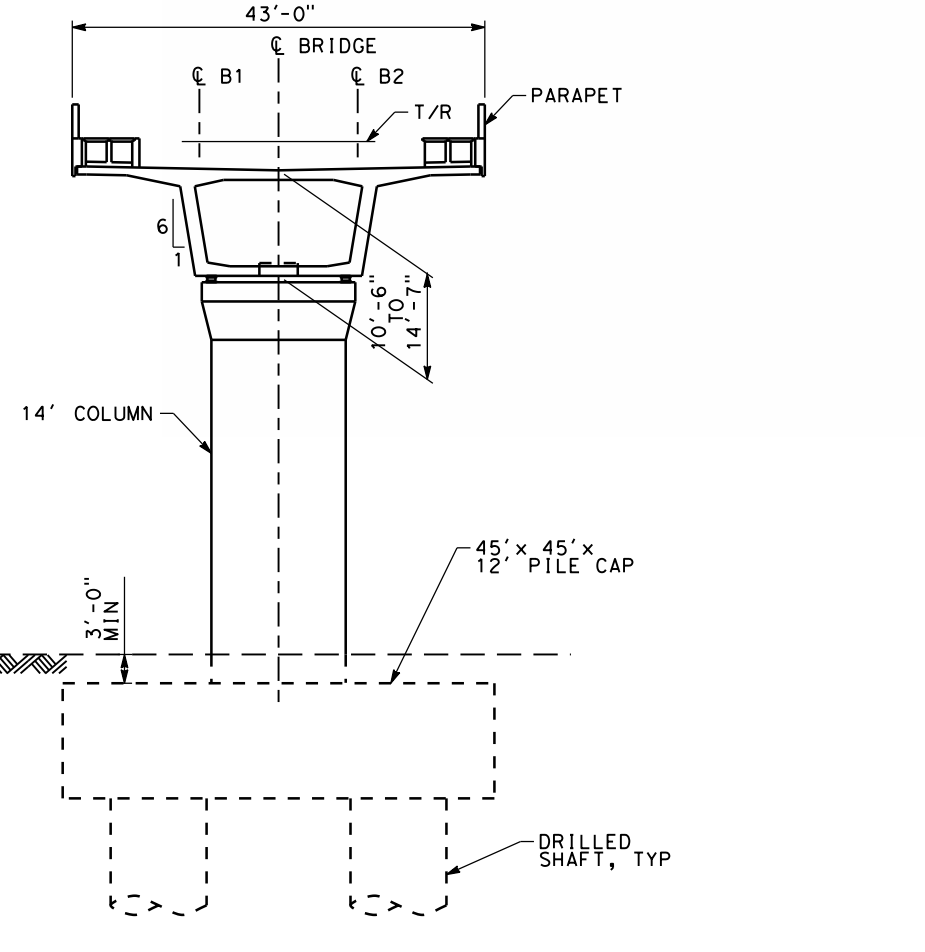
PLAN - SAN LUIS WASTEWAY
SCALE: 1"=200'



PROFILE - SAN LUIS WASTEWAY
SCALE: 1"=200' HOR, 1"=100' VERT



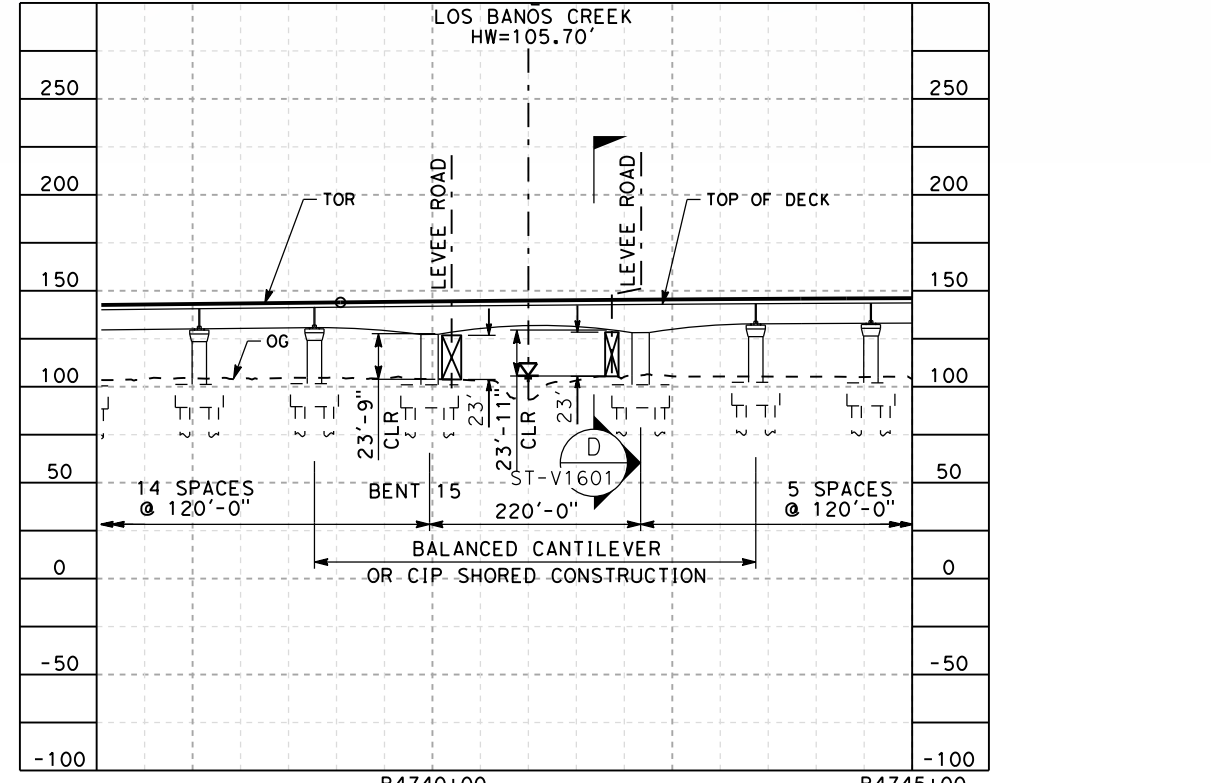
SECTION B-B
SCALE 1"=20'-0"



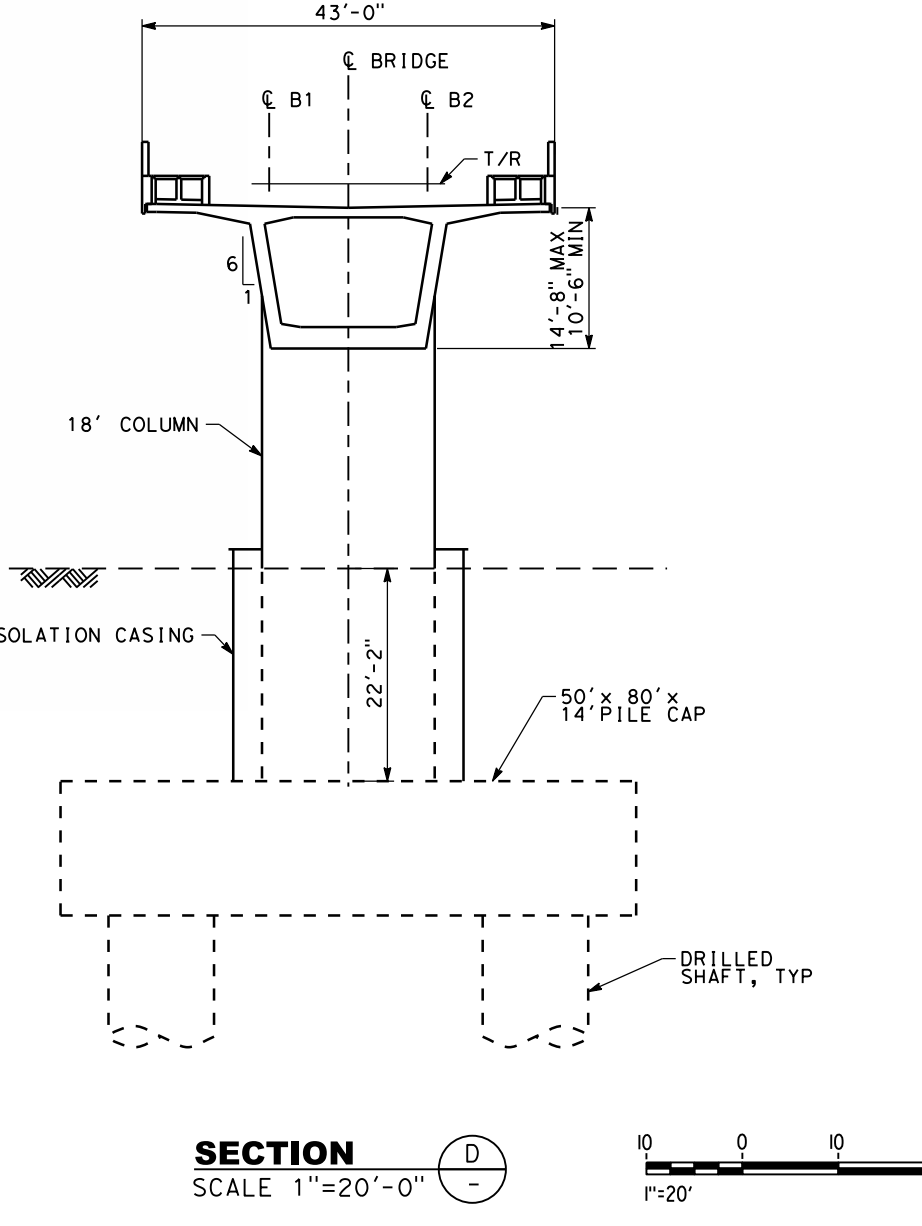
SECTION C-C
SCALE 1"=20'-0"



PLAN - LOS BANOS CREEK
SCALE: 1"=200'



PROFILE - LOS BANOS CREEK
SCALE: 1"=200' HOR, 1"=100' VERT

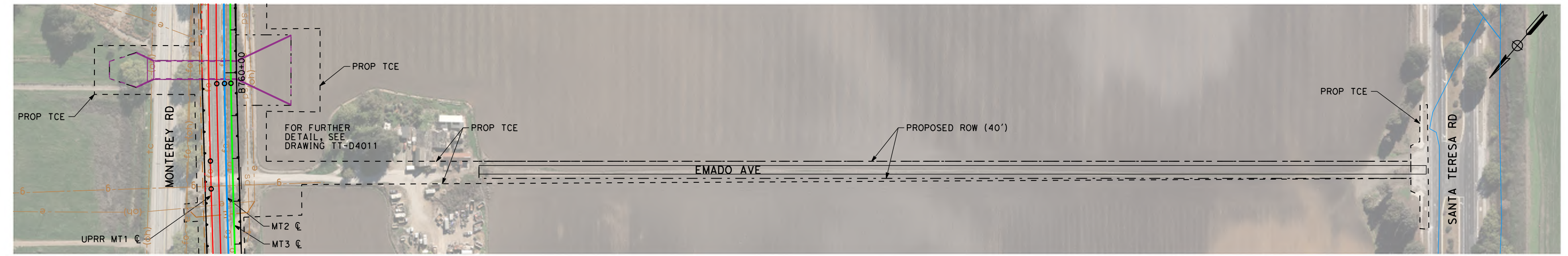


SECTION D-D
SCALE 1"=20'-0"

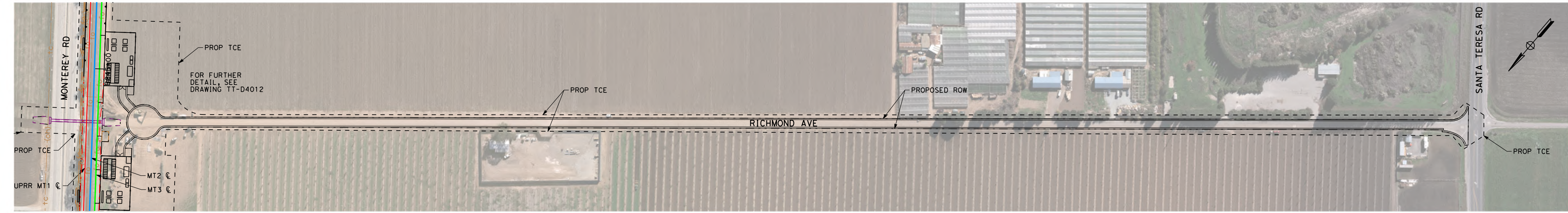
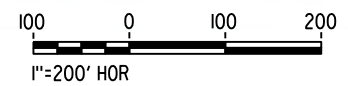
NOTE:
REFER TO GENERAL NOTES SHEETS GE-B0001 AND GE-B0002 FOR NOTES.

SAN JOSE TO CVY EIR/S: VOLUME III
ALTERNATIVE 4
BOOK 4D
SHEET 82 OF 148

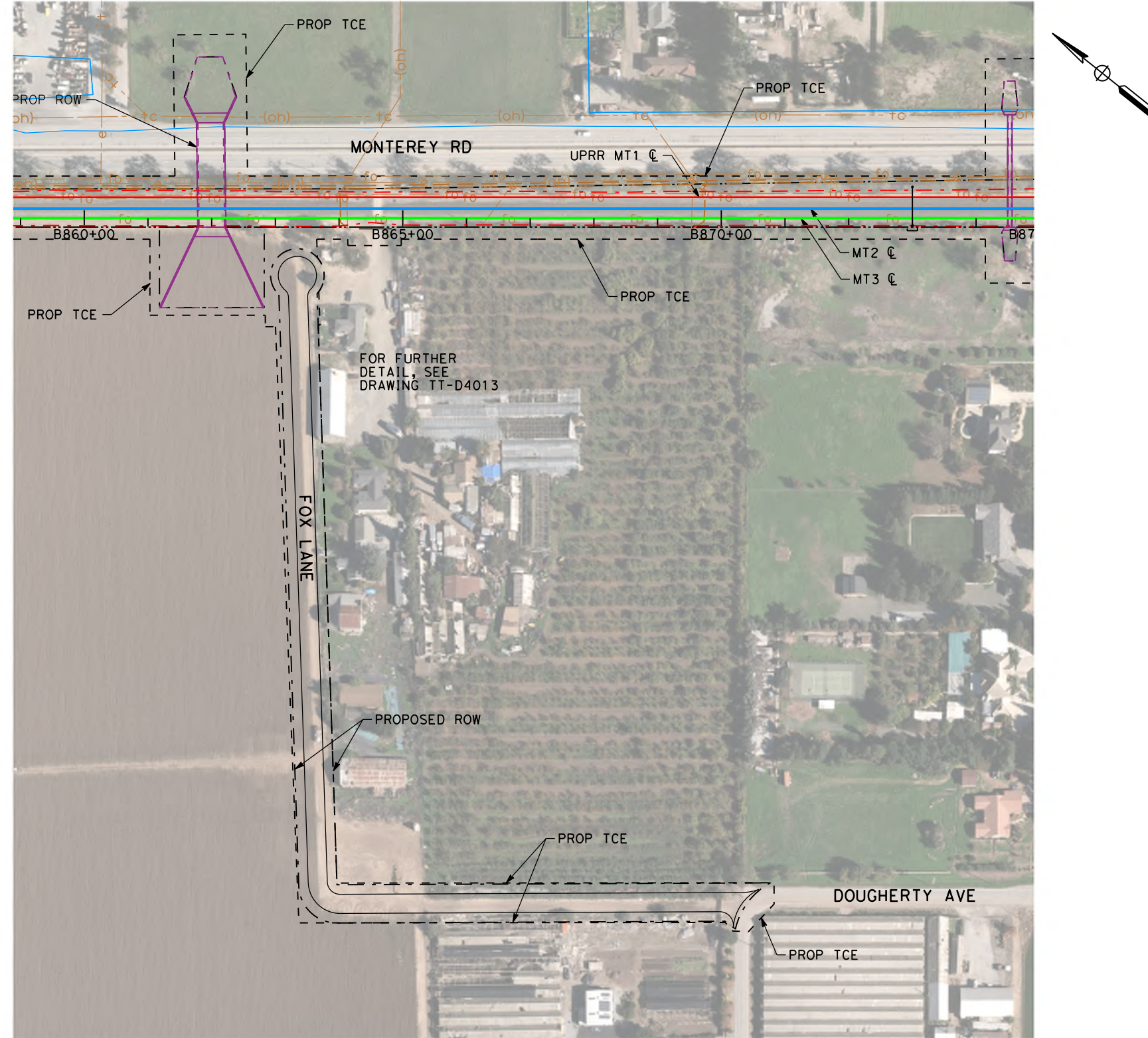
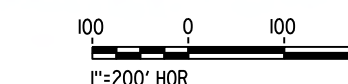
RECORD PERM SUBMITTAL MAY 3, 2019 NOT FOR CONSTRUCTION		1111 Broadway 9th Floor Oakland, CA 94607		CALIFORNIA HIGH-SPEED TRAIN PROJECT SAN JOSE TO MERCED SAN JOAQUIN VALLEY HENRY MILLER ROAD COMPLEX STRUCTURES GENERAL PLAN	CONTRACT NO. HSR15-34 DRAWING NO. ST-V1601 SCALE AS SHOWN SHEET NO.
---	--	---	--	--	--



PLAN - EMADO AVE
SCALE: 1"=200'



PLAN - RICHMOND AVE
SCALE: 1"=200'



PLAN - FOX LANE
SCALE: 1"=200'

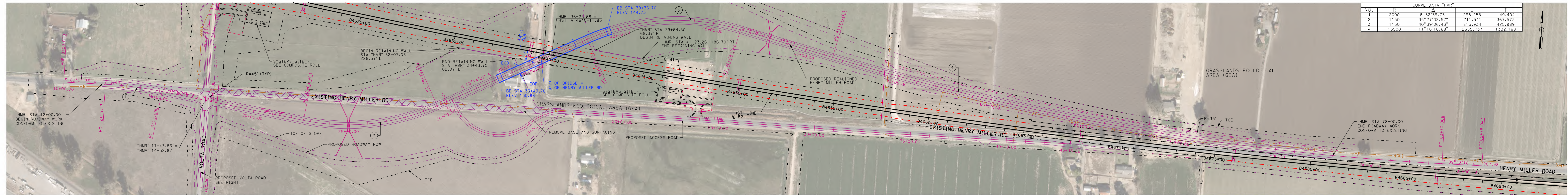


NOTE:
1. REFER TO GENERAL NOTES SHEETS GE-B0001 AND GE-B0002 FOR NOTES.

SAN JOSE TO CVY EIR/S: VOLUME III
ALTERNATIVE 4
BOOK 4D
SHEET 83 OF 148

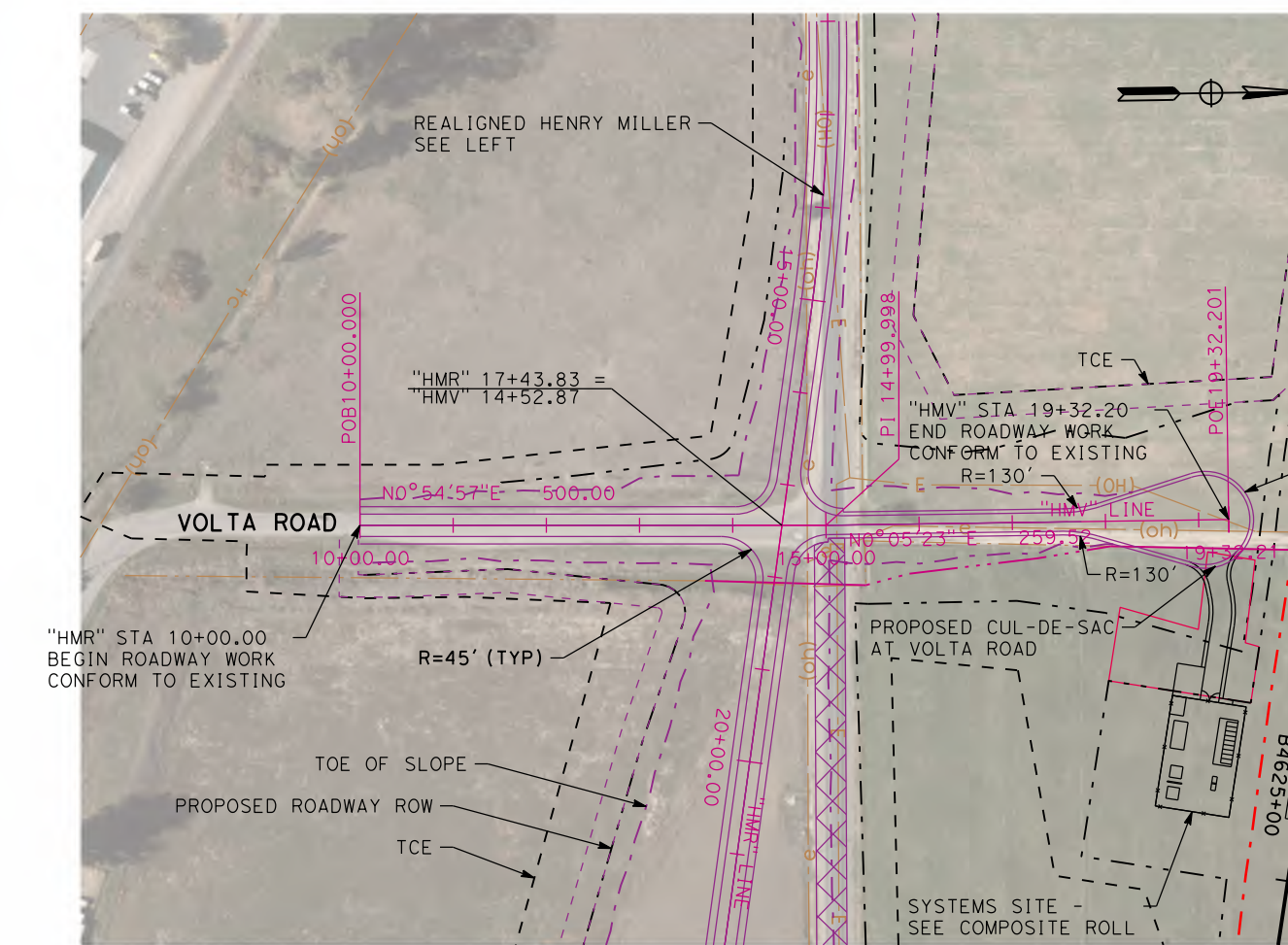
RECORD PERM SUBMITTAL MAY 3, 2019 NOT FOR CONSTRUCTION		1111 Broadway 9th Floor Oakland, CA 94607		CALIFORNIA HIGH-SPEED TRAIN PROJECT SAN JOSE TO MERCED CP COAST TO GILROY BLENDED AT-GRADE ALTERNATIVE CIVIL DETAILS	CONTRACT NO. HSR15-34 DRAWING NO. CV-S4001 SCALE AS SHOWN SHEET NO.
--	--	---	--	--	---

#FILE#
 #PLOT#
 #SCALE#
 #DATE#
 #USER#

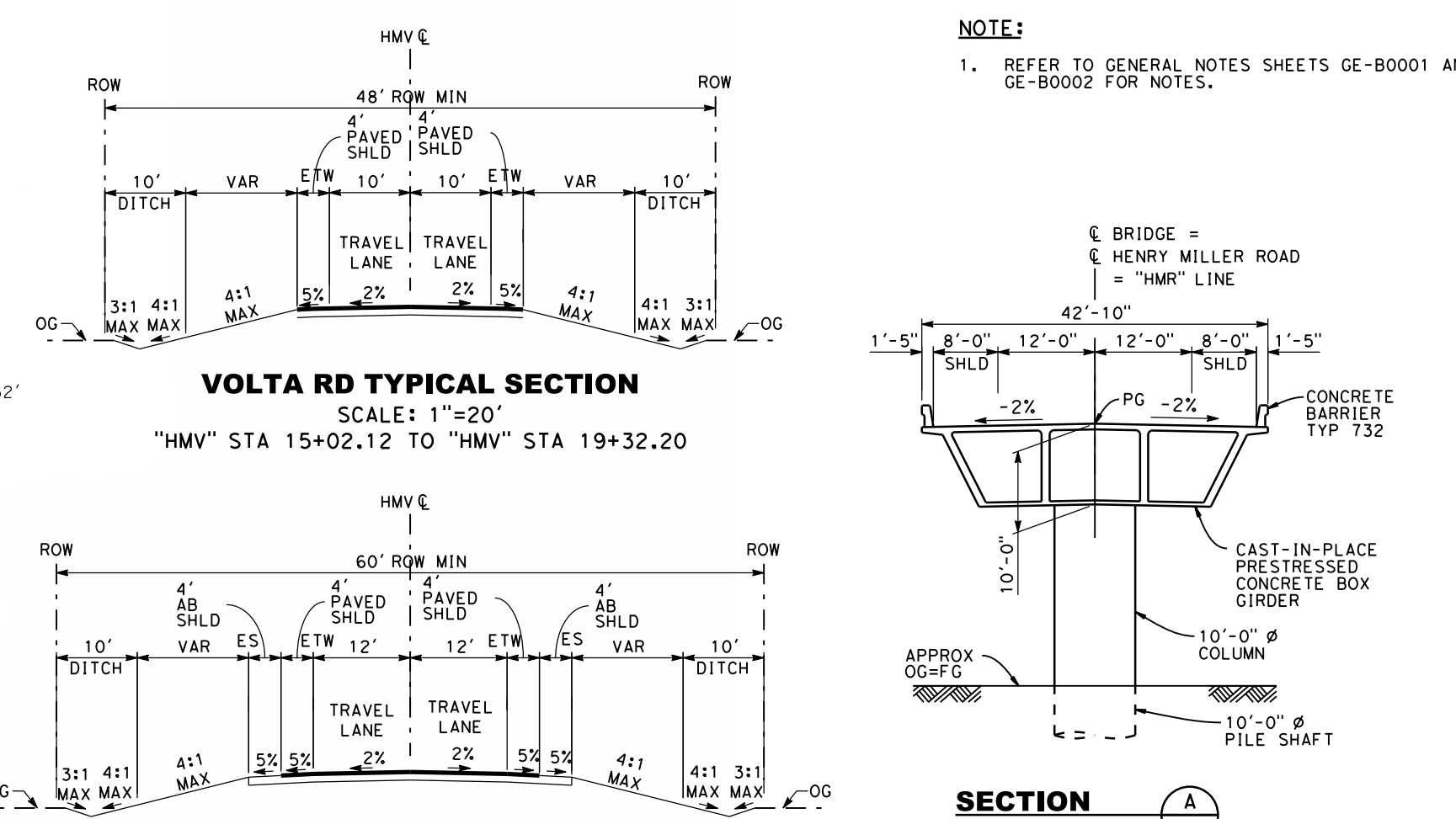


NO.	R	Δ	A	298,255	149,404
1	2000	8°32'39.73"			
2	1150	35°27'02.57"		711,541	367,573
3	1150	40°39'06.43"		815,934	425,989
4	13500	11°16'16.68"		2655,737	1332,168

PLAN - HENRY MILLER "HMR"
SCALE: 1"=200'



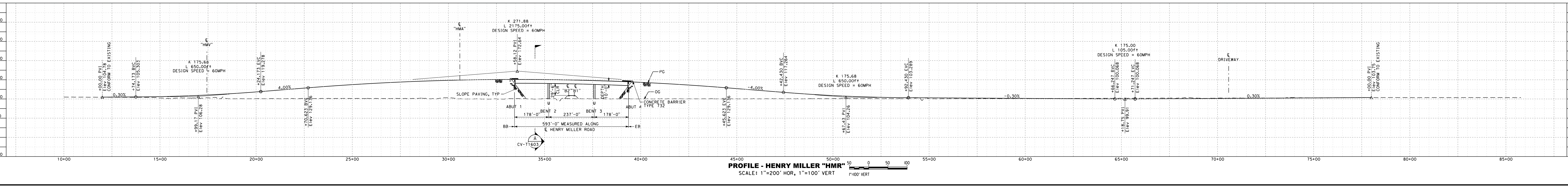
PLAN - VOLTA RD TO HENRY MILLER "HMR"
SCALE: 1"=200'



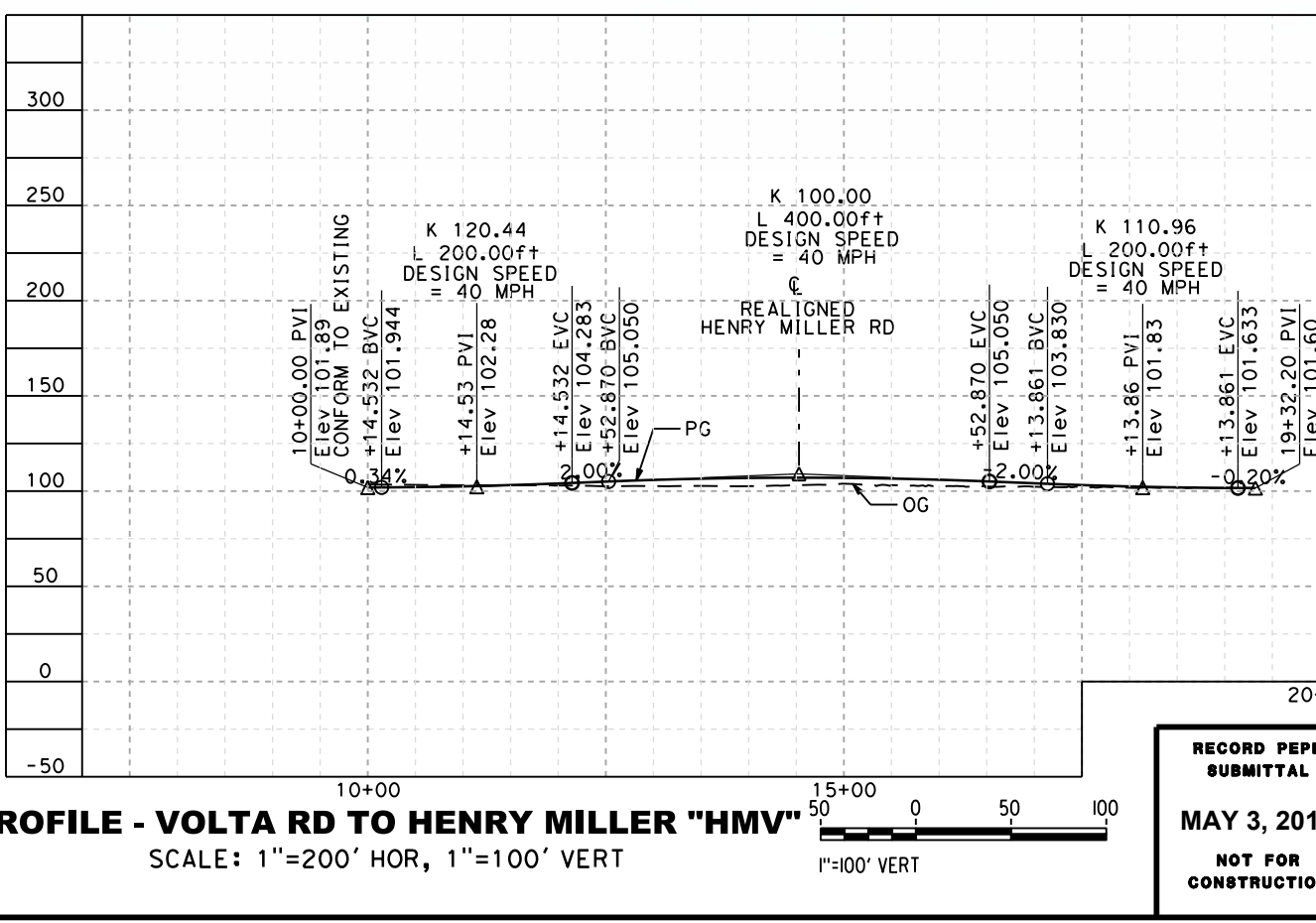
VOLTA RD TYPICAL SECTION
SCALE: 1"=20'
"HMR" STA 15+02.12 TO "HMR" STA 19+32.20

VOLTA RD TYPICAL SECTION
SCALE: 1"=20'
"HMR" STA 10+00.00 TO "HMR" STA 15+02.12

HENRY MILLER RD TYPICAL SECTION
SCALE: 1"=20'
"HMR" STA 12+00.00 TO "HMR" STA 33+20.70
"HMR" STA 39+59.60 TO "HMR" STA 78+00.00



PROFILE - HENRY MILLER "HMR"
SCALE: 1"=200' HOR, 1"=100' VERT



PROFILE - VOLTA RD TO HENRY MILLER "HMR"
SCALE: 1"=200' HOR, 1"=100' VERT

RECORD PERM SUBMITTAL
MAY 3, 2019
NOT FOR CONSTRUCTION

1111 Broadway
9th Floor
Oakland, CA 94607

HNTB

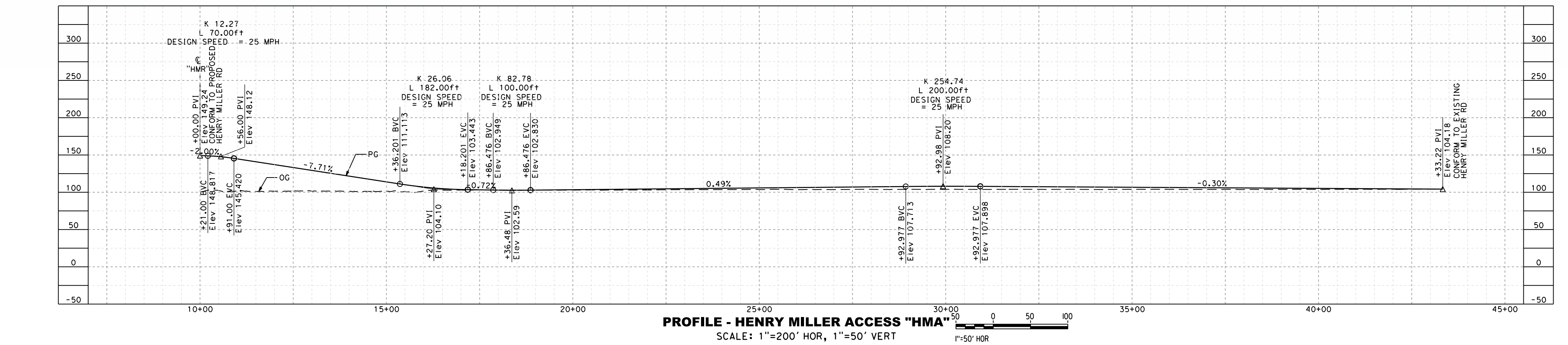
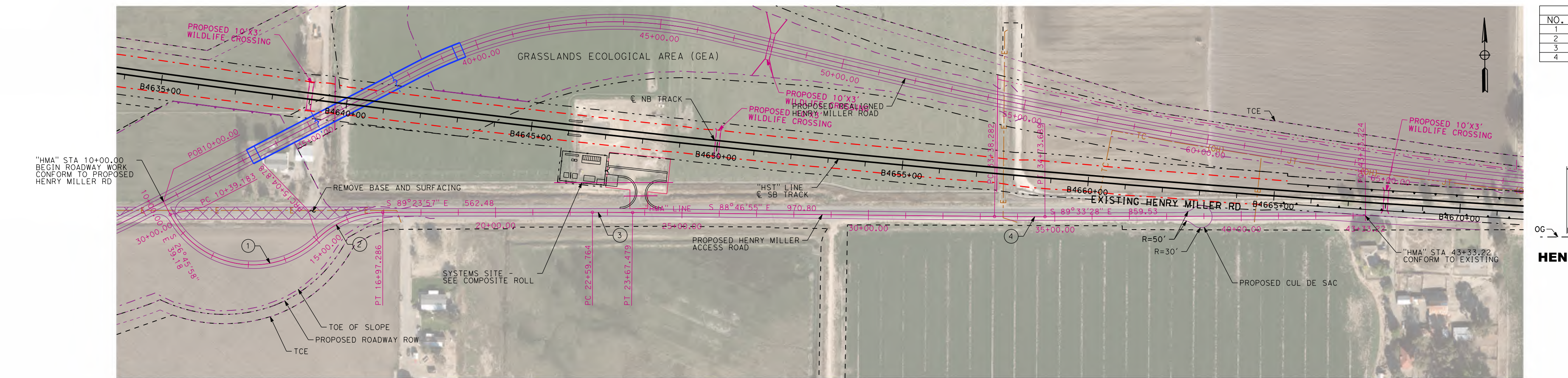
CALIFORNIA
High-Speed Rail Authority

CALIFORNIA HIGH-SPEED TRAIN PROJECT
SAN JOSE TO MERCED
SAN JOAQUIN VALLEY
HENRY MILLER ROAD
GRADE SEPARATION LAYOUT, PROFILE, & CROSS SECTIONS
HENRY MILLER ROAD

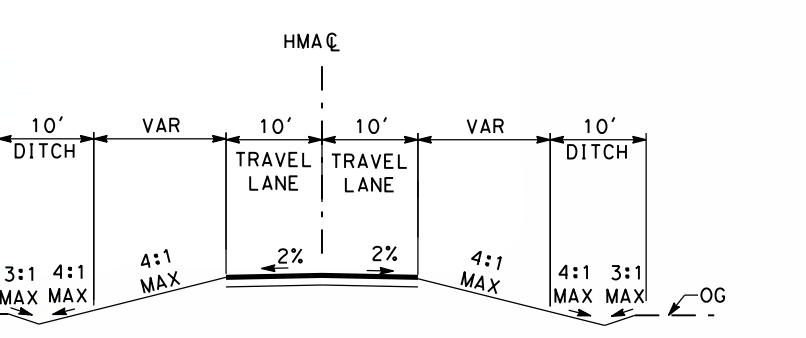
CONTRACT NO. HSR15-34
DRAWING NO. CV-T1603
SCALE AS SHOWN
SHEET NO.

SAN JOSE TO CVY EIR/S: VOLUME III
ALTERNATIVE 4
BOOK 4D
SHEET 86 OF 148

2/20/2019 4:17:44 PM C:\Users\hntb\OneDrive\Documents\CVY-T1604.dwg C:\Users\hntb\OneDrive\Documents\CVY-T1604.dwg



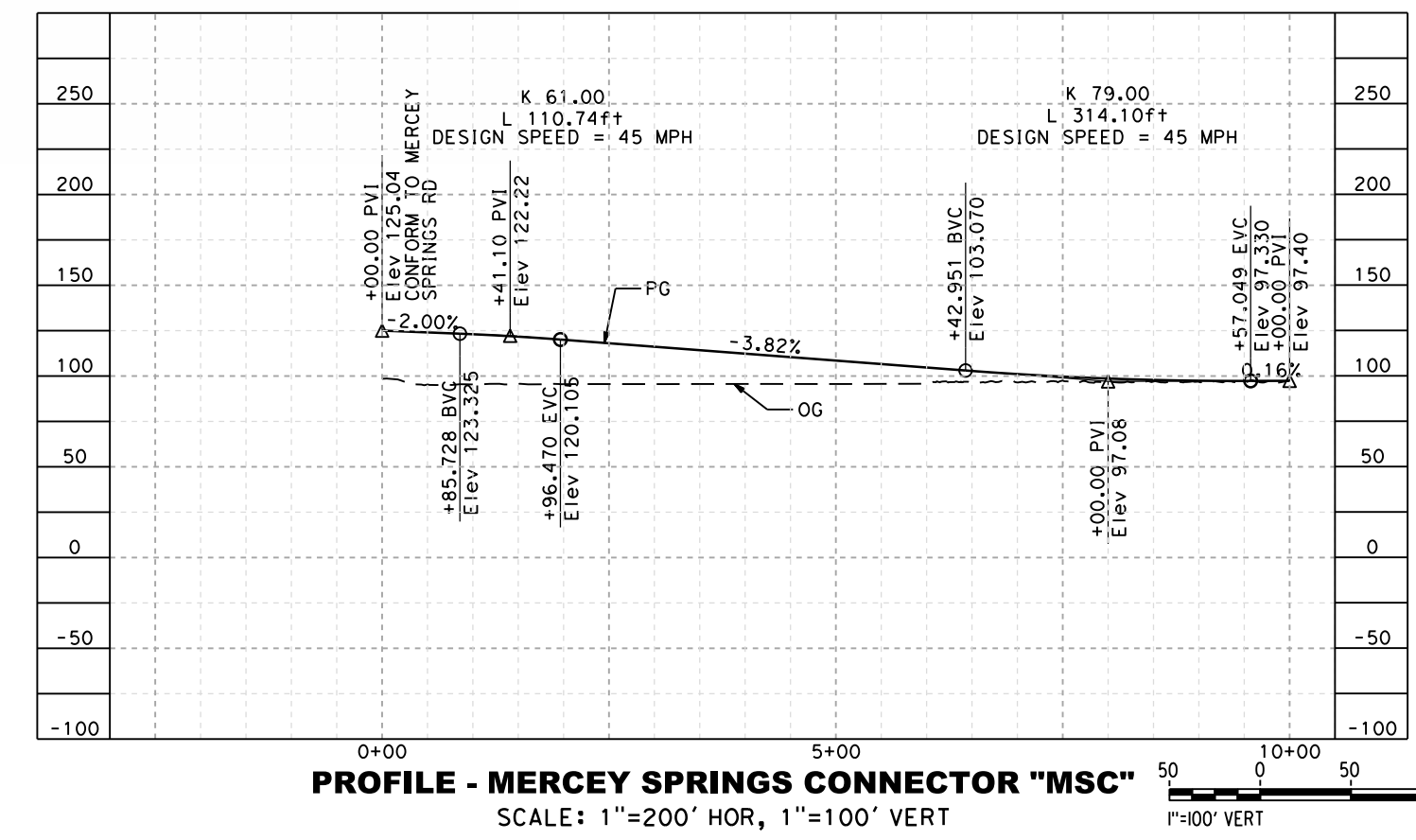
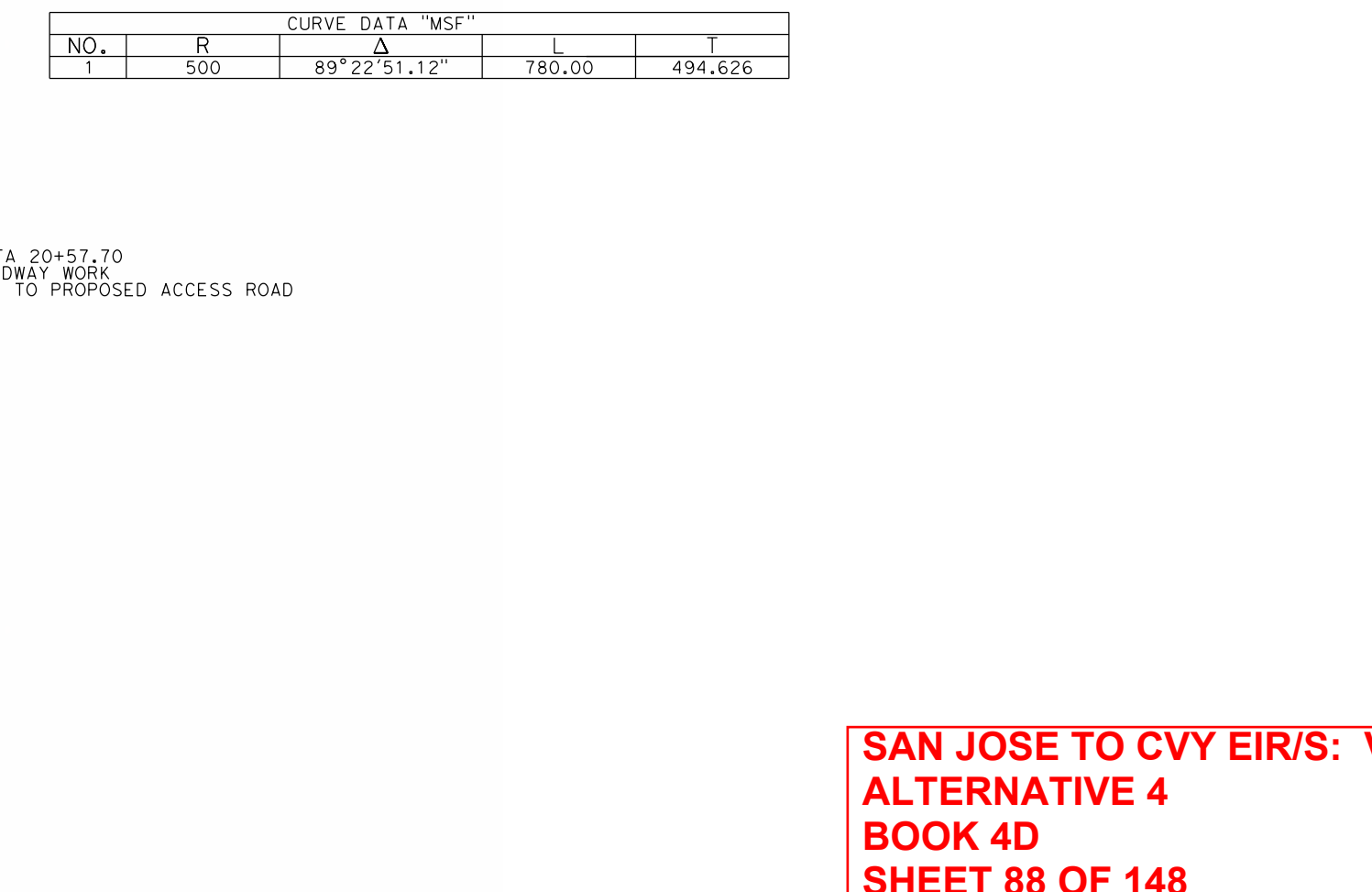
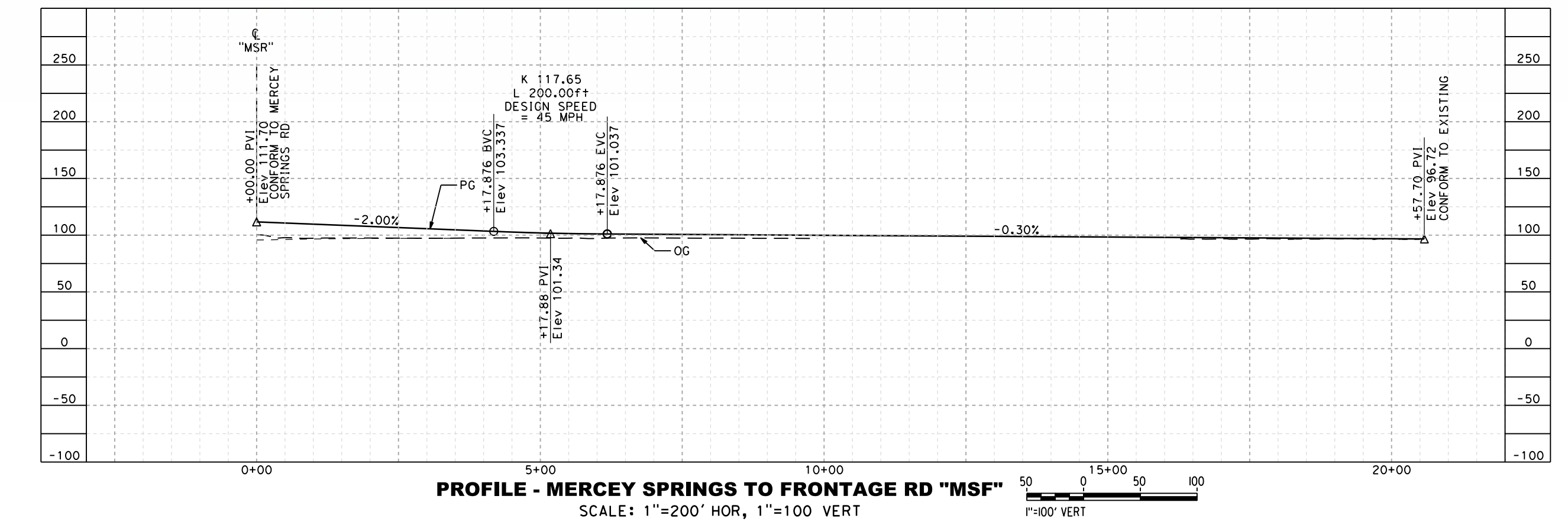
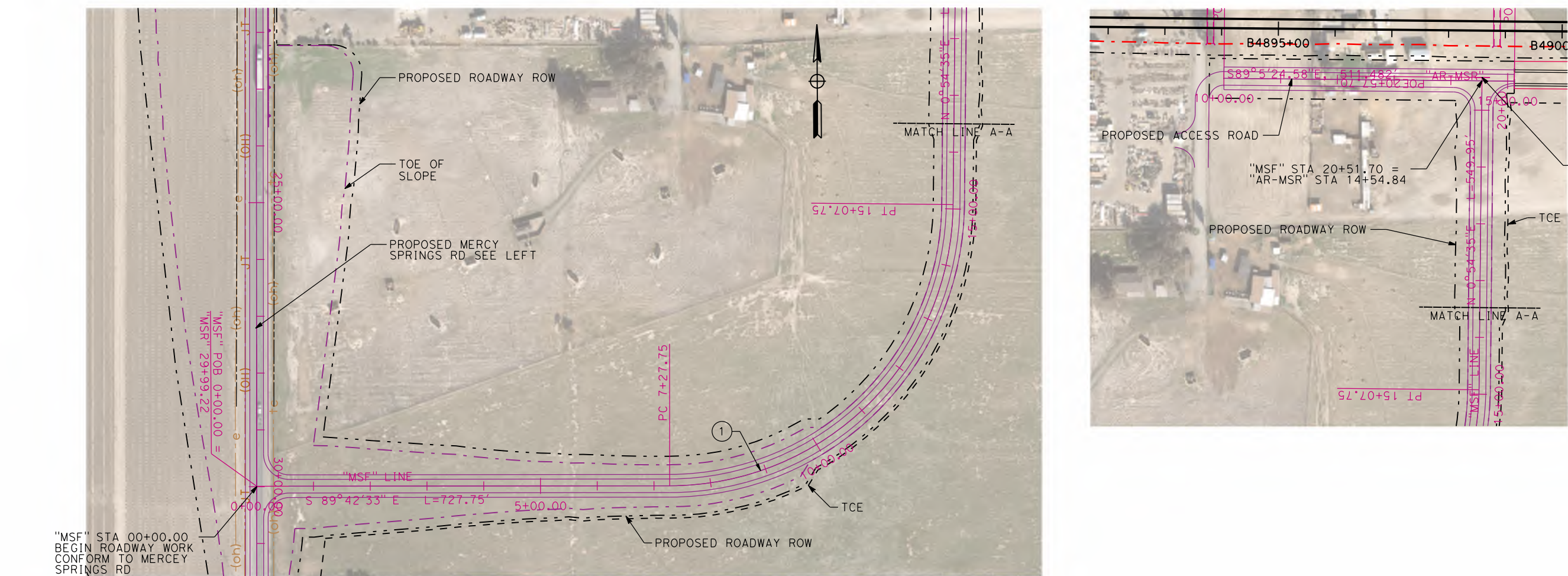
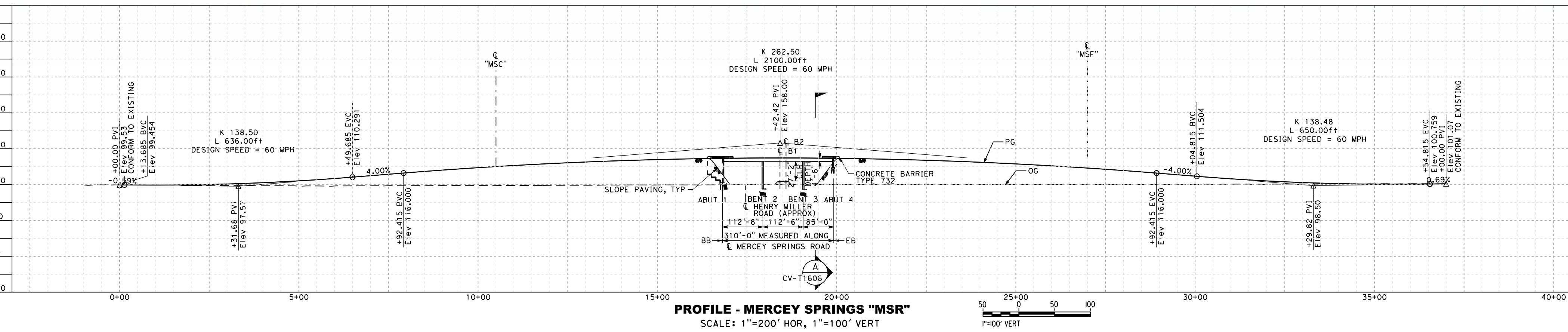
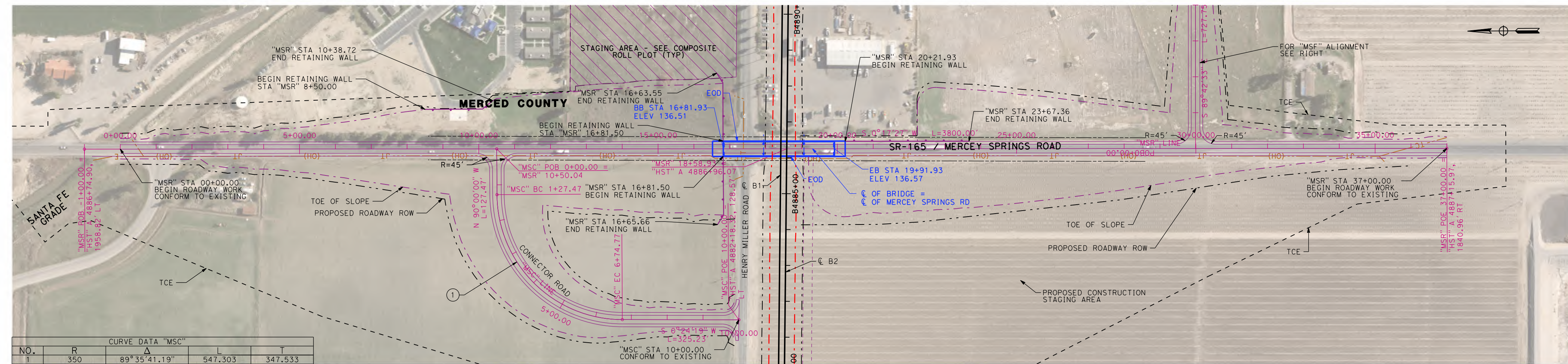
CURVE DATA "HMA"				
NO.	R	Δ	L	T
1	250	106°43'46.43"	465.696	336.193
2	250	44°05'47.68"	192.408	101.252
3	10000	0°37'01.77"	107.714	53.858
4	10000	0°46'32.98"	135.408	67.705



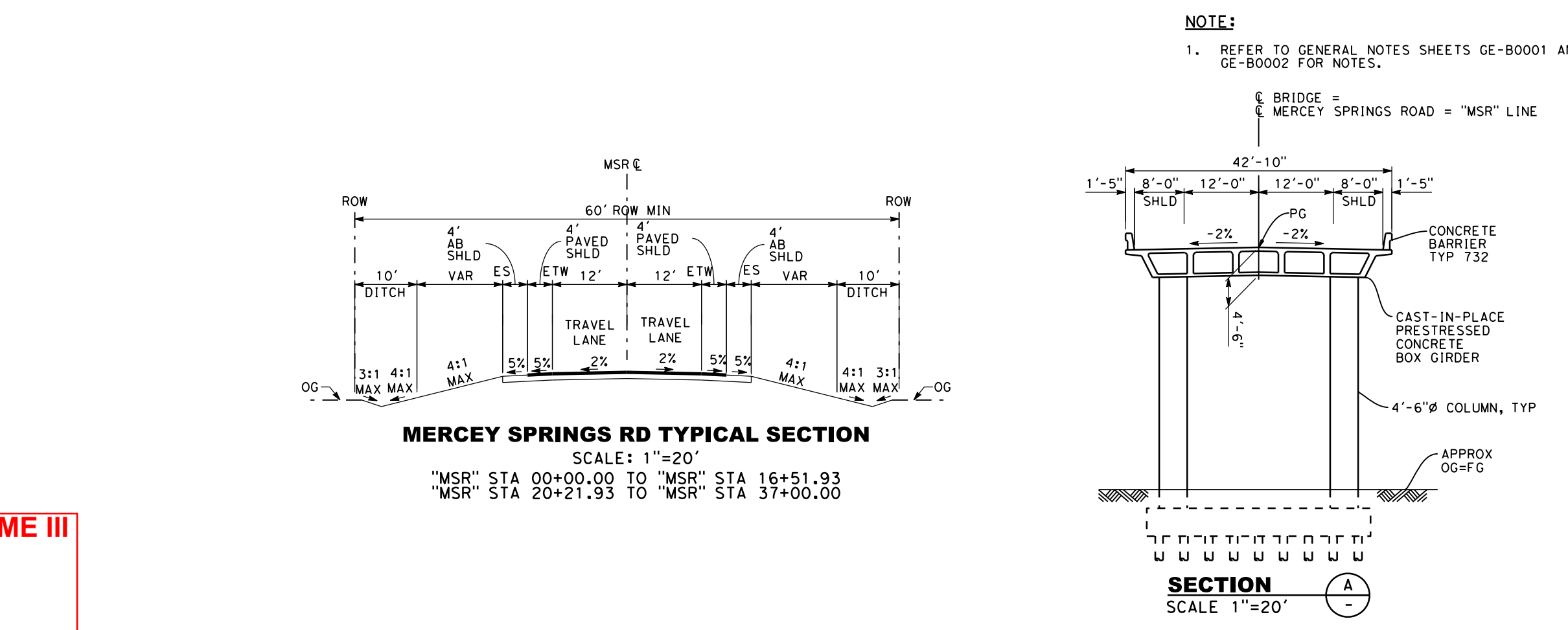
NOTE:
 1. REFER TO GENERAL NOTES SHEETS GE-B0001 AND GE-B0002 FOR NOTES.

SAN JOSE TO CVY EIR/S: VOLUME III
ALTERNATIVE 4
BOOK 4D
SHEET 87 OF 148

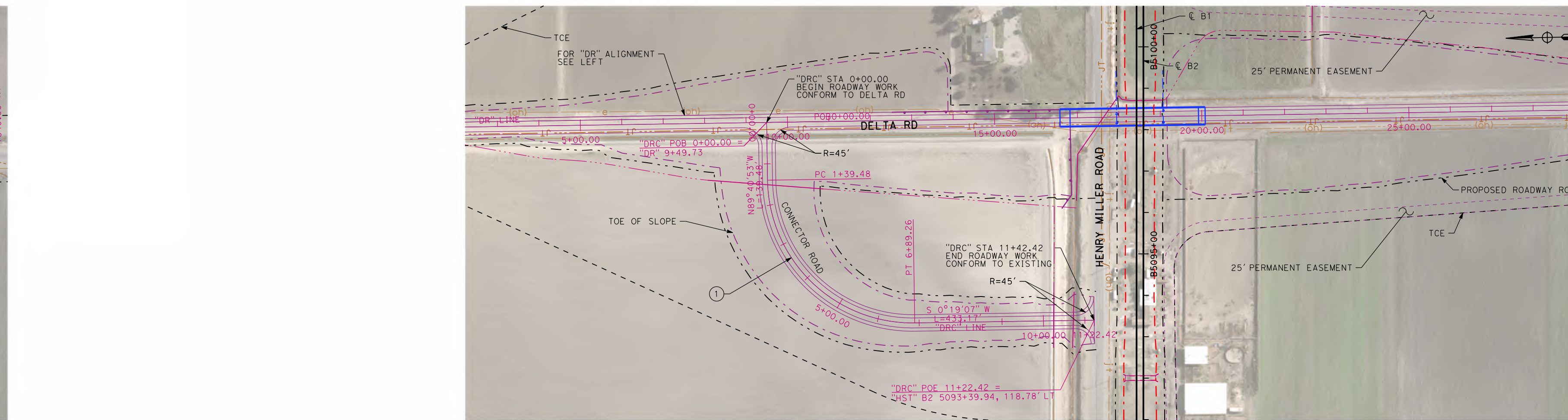
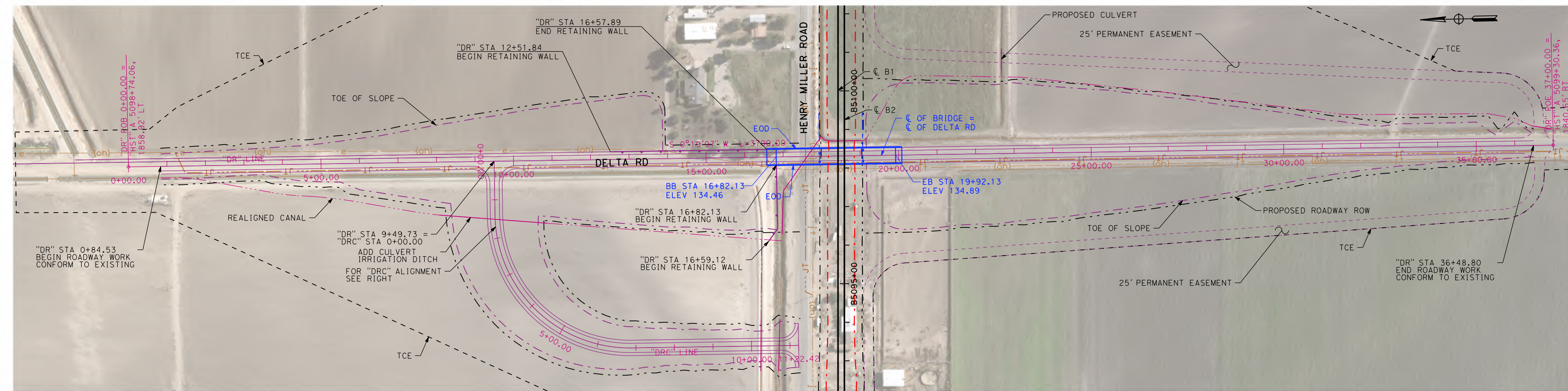
RECORD PERM SUBMITTAL MAY 3, 2019 NOT FOR CONSTRUCTION		1111 Broadway 9th Floor Oakland, CA 94607		CALIFORNIA HIGH-SPEED TRAIN PROJECT SAN JOSE TO MERCED SAN JOAQUIN VALLEY HENRY MILLER ROAD GRADE SEPARATION LAYOUT, PROFILE, & CROSS SECTIONS HENRY MILLER ACCESS	CONTRACT NO. HSR15-35 DRAWING NO. CV-T1604 SCALE AS SHOWN SHEET NO.
---	--	---	--	---	---



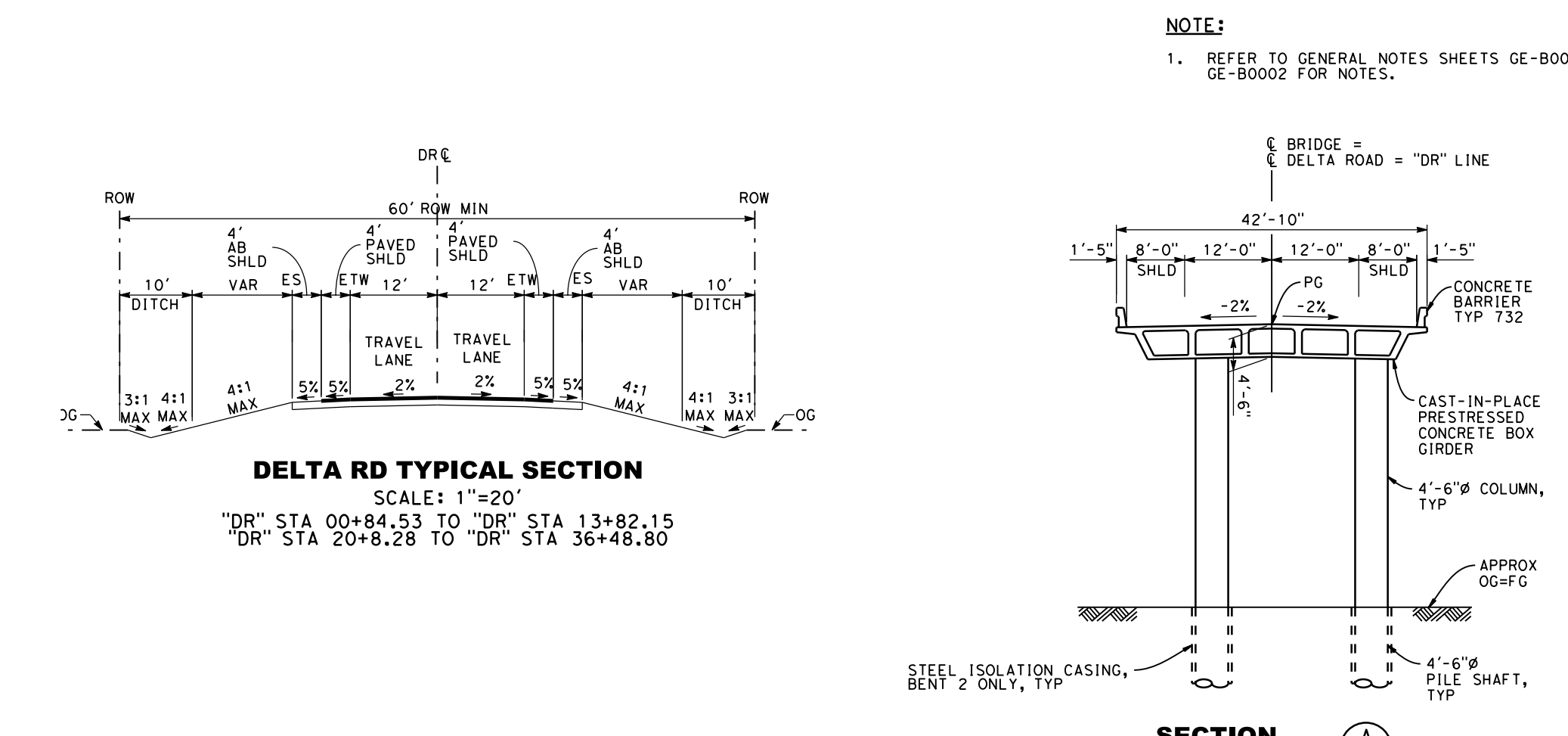
**SAN JOSE TO CVY EIR/S: VOLUME III
ALTERNATIVE 4
BOOK 4D
SHEET 88 OF 148**



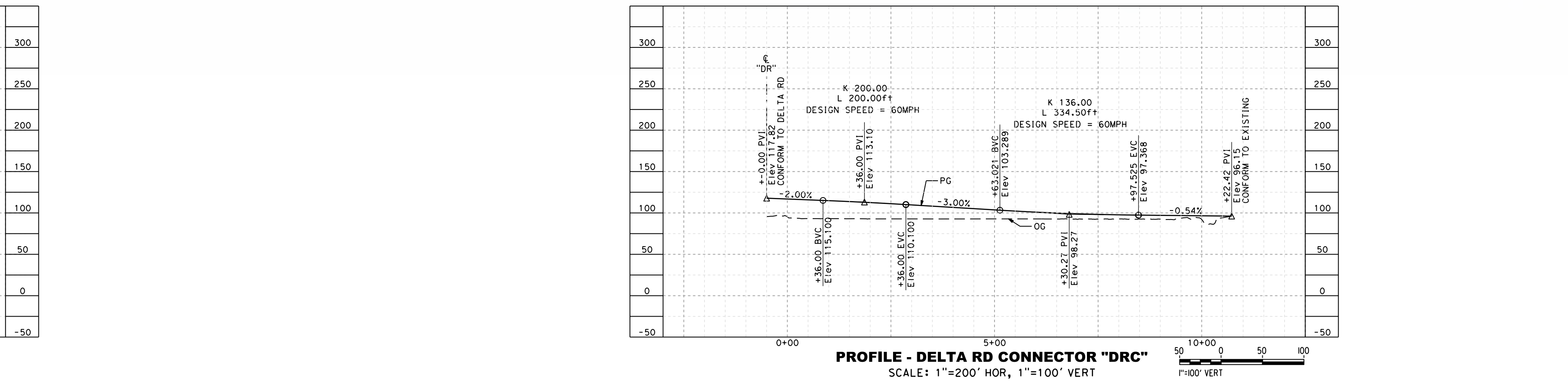
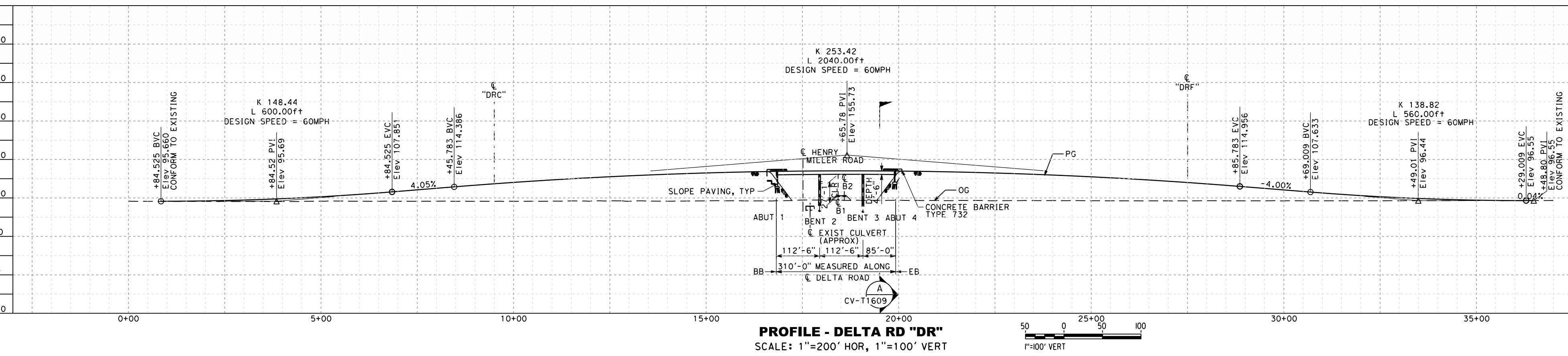
RECORD PERM SUBMITTAL MAY 3, 2019 NOT FOR CONSTRUCTION	HNTB 1111 Broadway 9th Floor Oakland, CA 94607	CALIFORNIA High-Speed Rail Authority	CALIFORNIA HIGH-SPEED TRAIN PROJECT SAN JOSE TO MERCY HENRY MILLER ROAD GRADE SEPARATION LAYOUT, PROFILE, & CROSS SECTIONS MERCY SPRINGS ROAD	CONTRACT NO. HSR15-34 DRAWING NO. CV-T1606 SCALE AS SHOWN SHEET NO.
--	--	--	---	--



NO.	R	CURVE DATA "DRC"		
1	350	90°00'00.00"	549.779	350.000

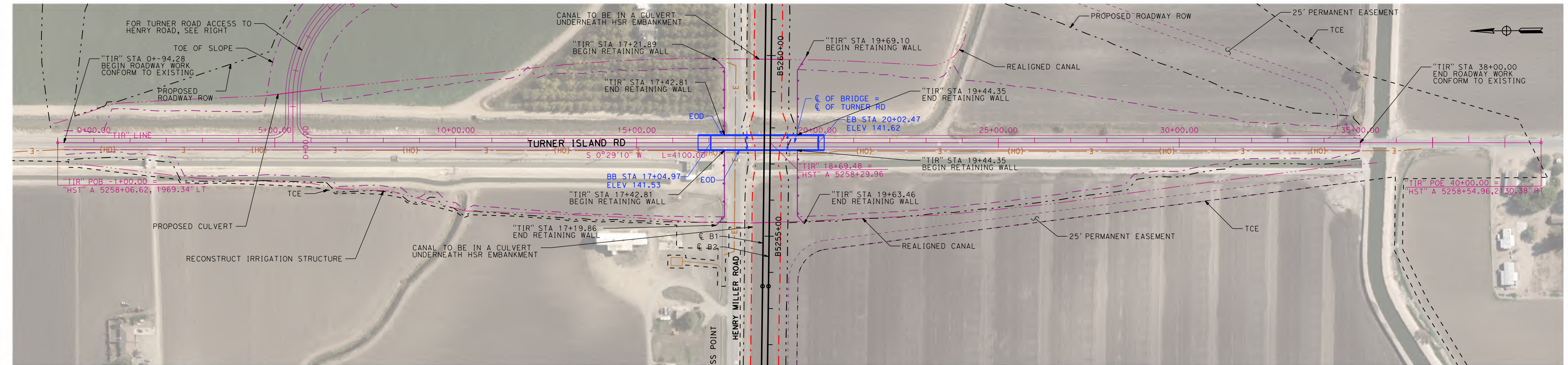


NOTE:
1. REFER TO GENERAL NOTES SHEETS GE-B0001 AND GE-B0002 FOR NOTES.

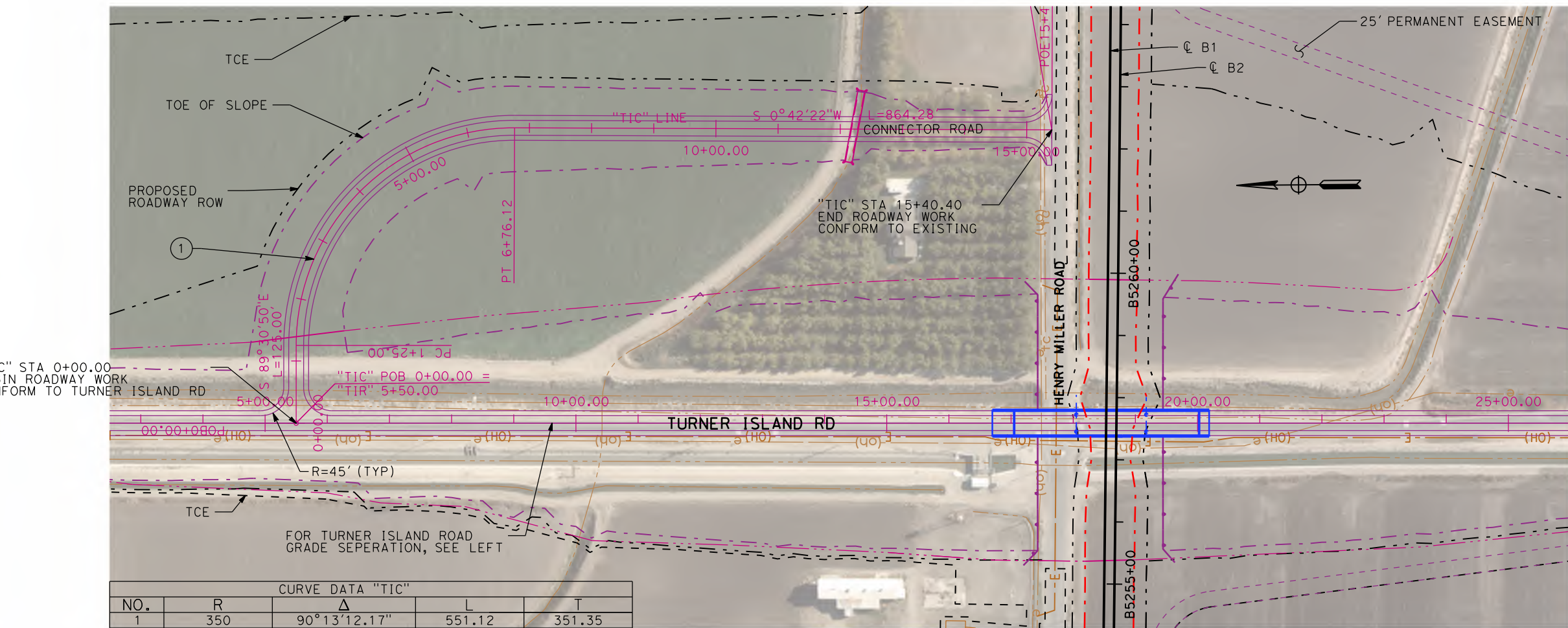


SAN JOSE TO CVY EIR/S: VOLUME III
ALTERNATIVE 4
BOOK 4D
SHEET 89 OF 148

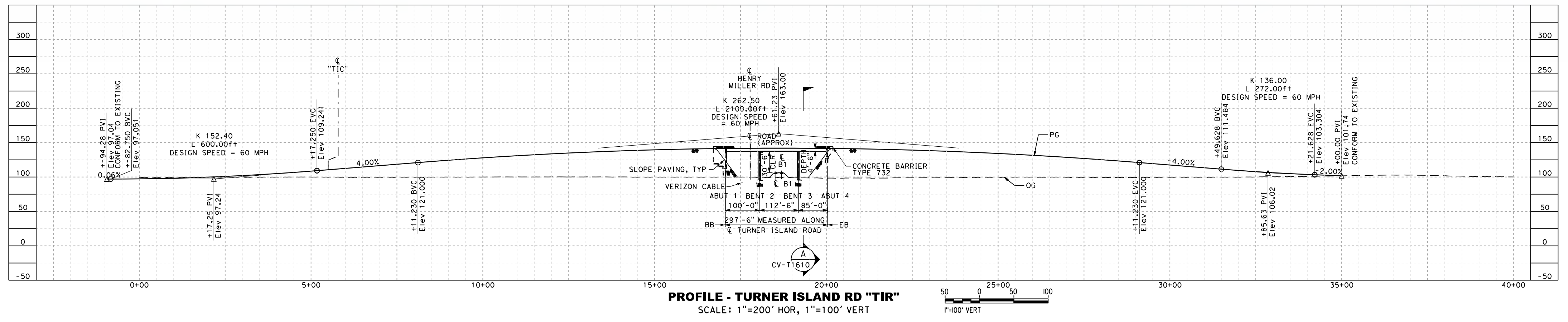
RECORD PERM SUBMITTAL MAY 3, 2019 NOT FOR CONSTRUCTION		1111 Broadway 9th Floor Oakland, CA 94607		CALIFORNIA HIGH-SPEED TRAIN PROJECT SAN JOSE TO MERCED SAN JOAQUIN VALLEY HENRY MILLER ROAD GRADE SEPARATION LAYOUT, PROFILE, & CROSS SECTIONS DELTA ROAD	CONTRACT NO. HSR15-34 DRAWING NO. CV-T1609 SCALE AS SHOWN SHEET NO.
--	--	---	--	--	--



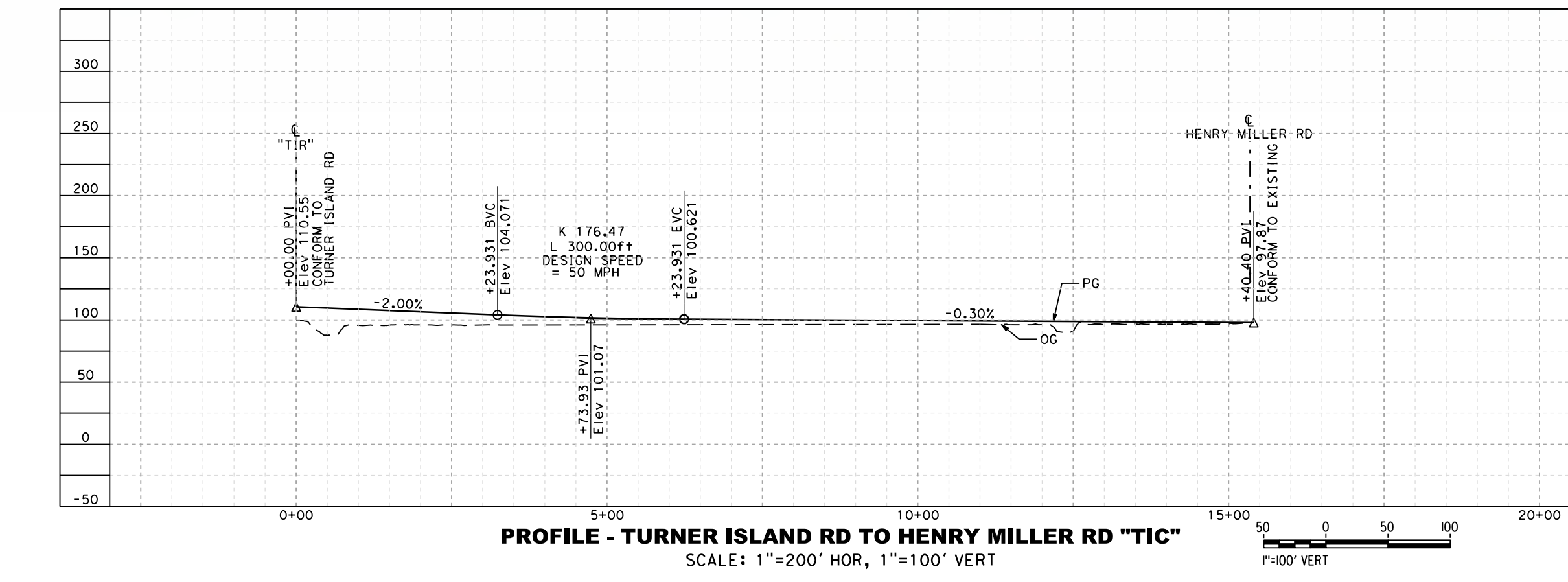
PLAN - TURNER ISLAND RD "TIR"
SCALE: 1"=200'



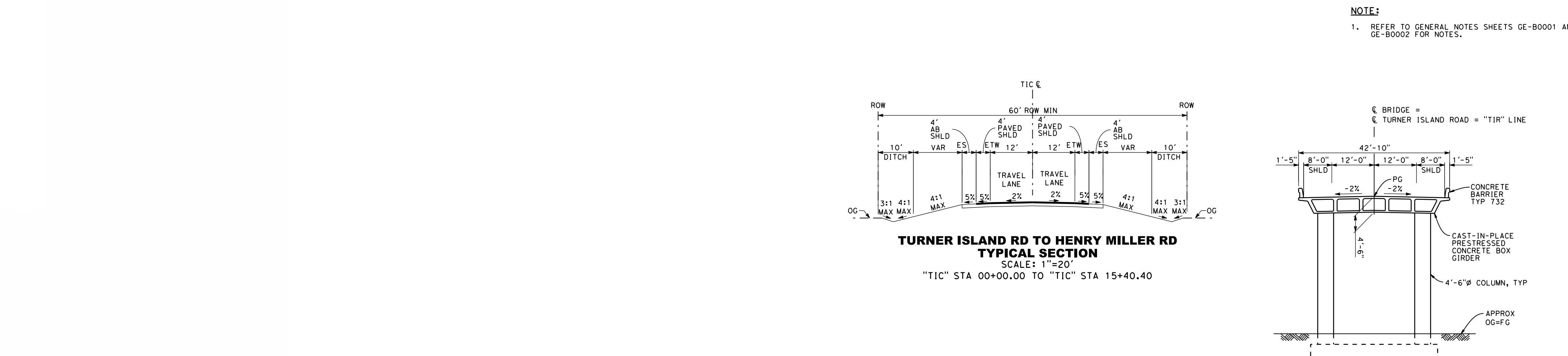
PLAN - TURNER ISLAND RD TO HENRY MILLER RD "TIC"
SCALE: 1"=200'



PROFILE - TURNER ISLAND RD "TIR"
SCALE: 1"=200' HOR, 1"=100' VERT



PROFILE - TURNER ISLAND RD TO HENRY MILLER RD "TIC"
SCALE: 1"=200' HOR, 1"=100' VERT



TURNER ISLAND RD TO HENRY MILLER RD TYPICAL SECTION
SCALE: 1"=20'

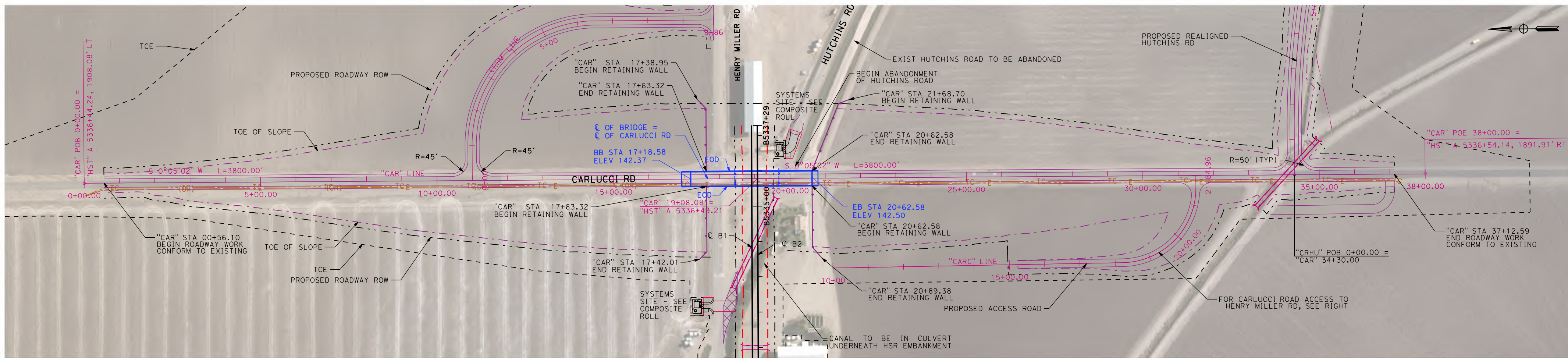
TURNER ISLAND RD TYPICAL SECTION
SCALE: 1"=20'

SECTION A
SCALE 1"=20'

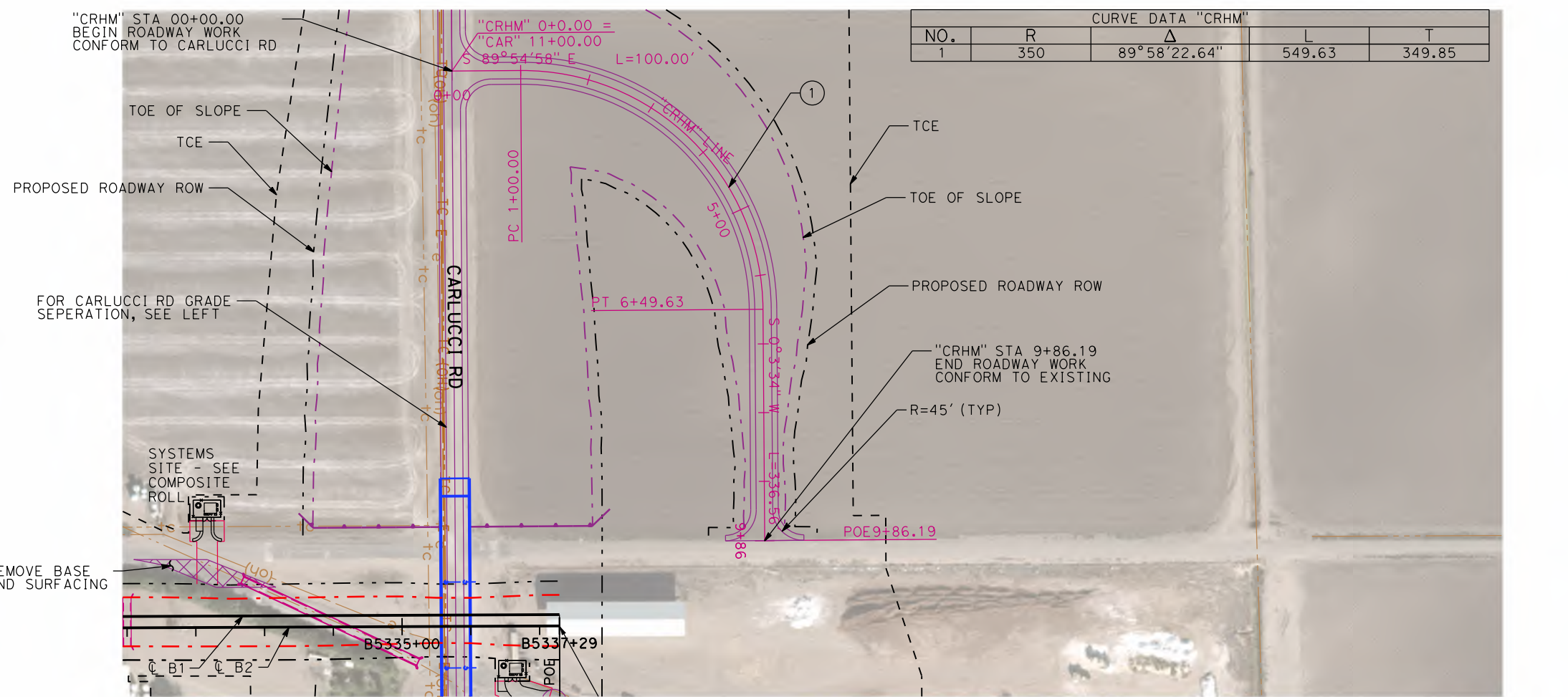
NOTE:
1. REFER TO GENERAL NOTES SHEETS GE-B0001 AND GE-B0002 FOR NOTES.

**SAN JOSE TO CVY EIR/S: VOLUME III
ALTERNATIVE 4
BOOK 4D
SHEET 90 OF 148**

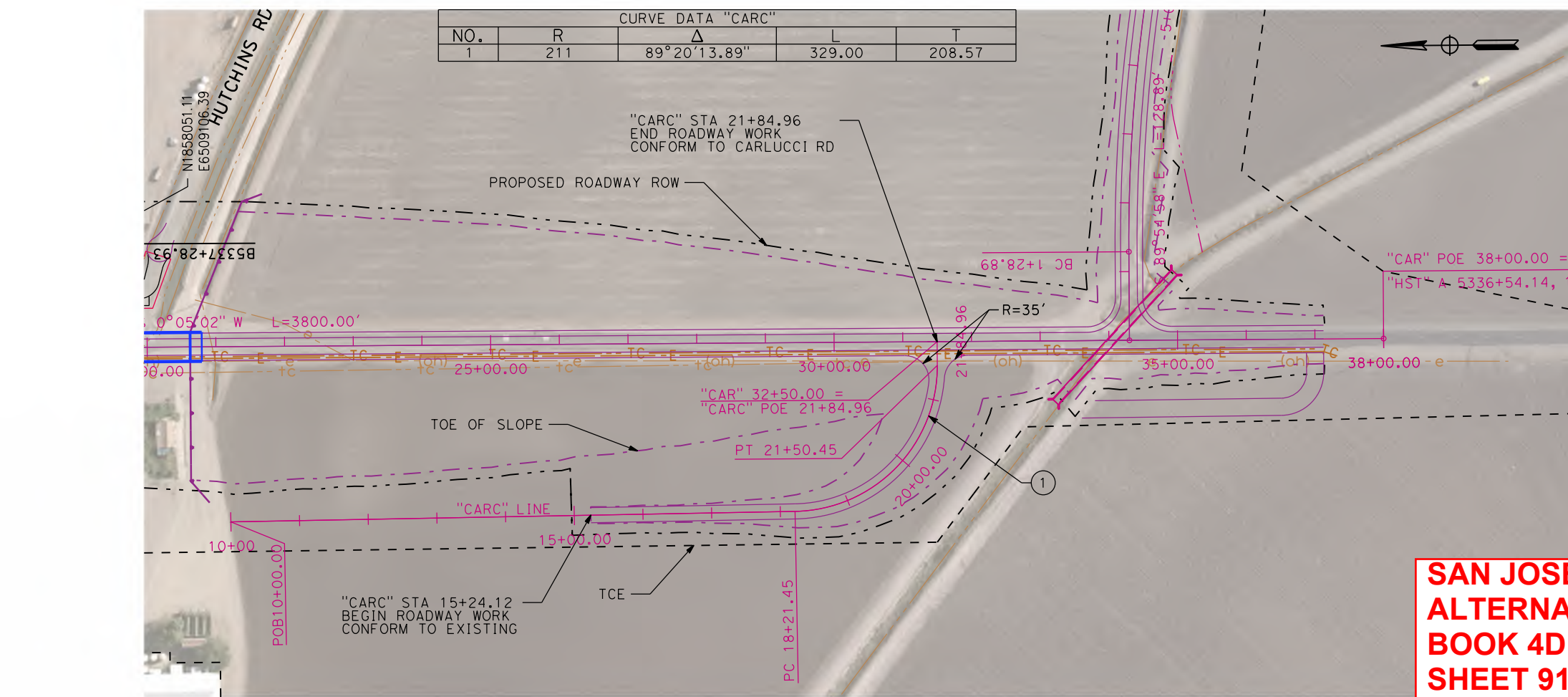
RECORD PERM SUBMITTAL MAY 3, 2019 NOT FOR CONSTRUCTION		1111 Broadway 9th Floor Oakland, CA 94607		CALIFORNIA HIGH-SPEED TRAIN PROJECT SAN JOSE TO MERCED SAN JOAQUIN VALLEY HENRY MILLER ROAD GRADE SEPARATION LAYOUT, PROFILE, & CROSS SECTIONS TURNER ROAD	CONTRACT NO.: HSR15-34 DRAWING NO.: CV-T1610 SCALE: AS SHOWN SHEET NO.:
--	--	---	--	---	--



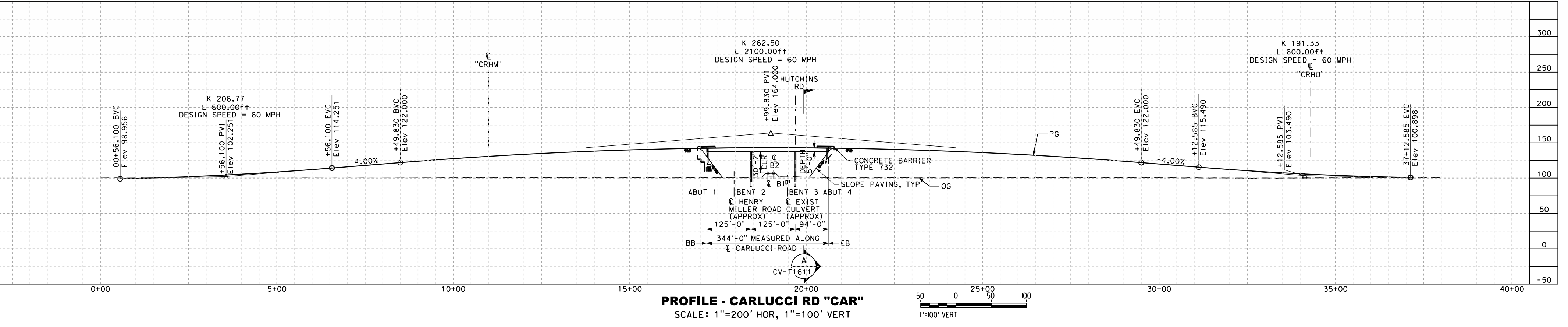
PLAN - CARLUCCI RD "CAR"
SCALE: 1"=200'



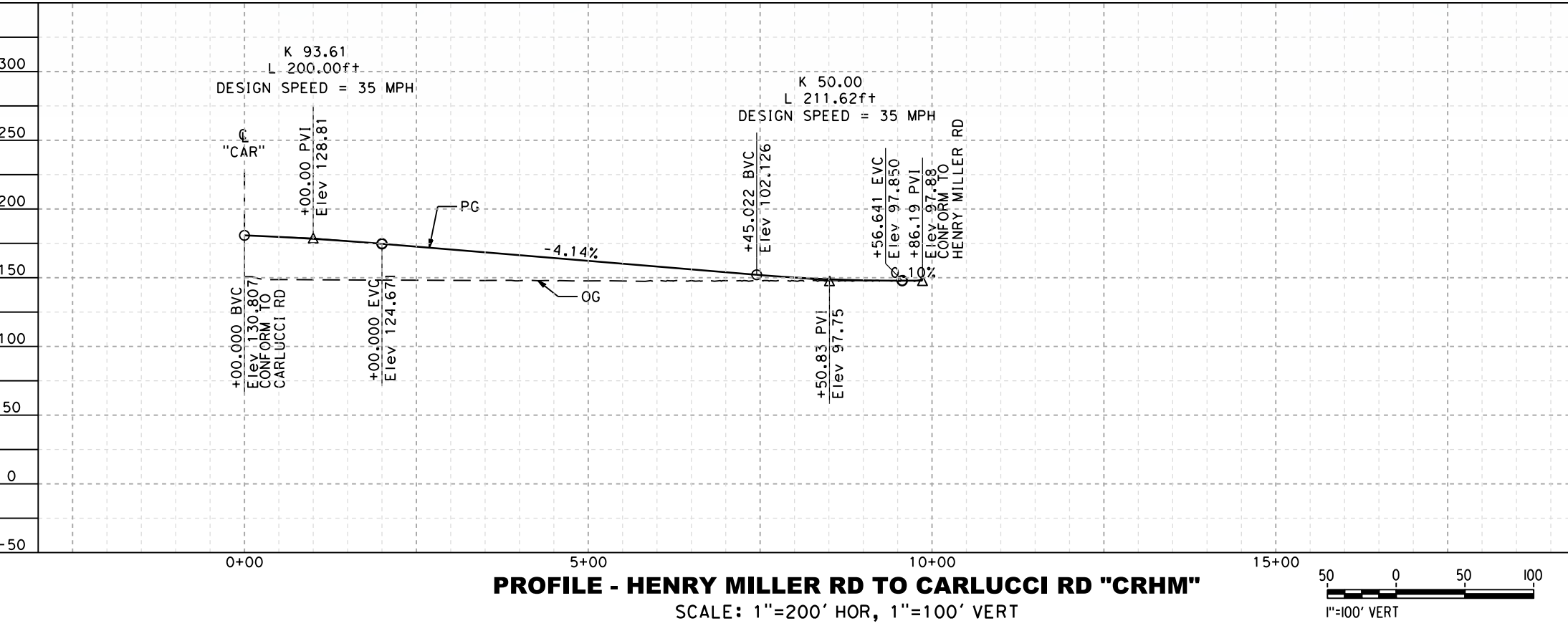
PLAN - HENRY MILLER RD TO CARLUCCI RD "CRHM"
SCALE: 1"=200'



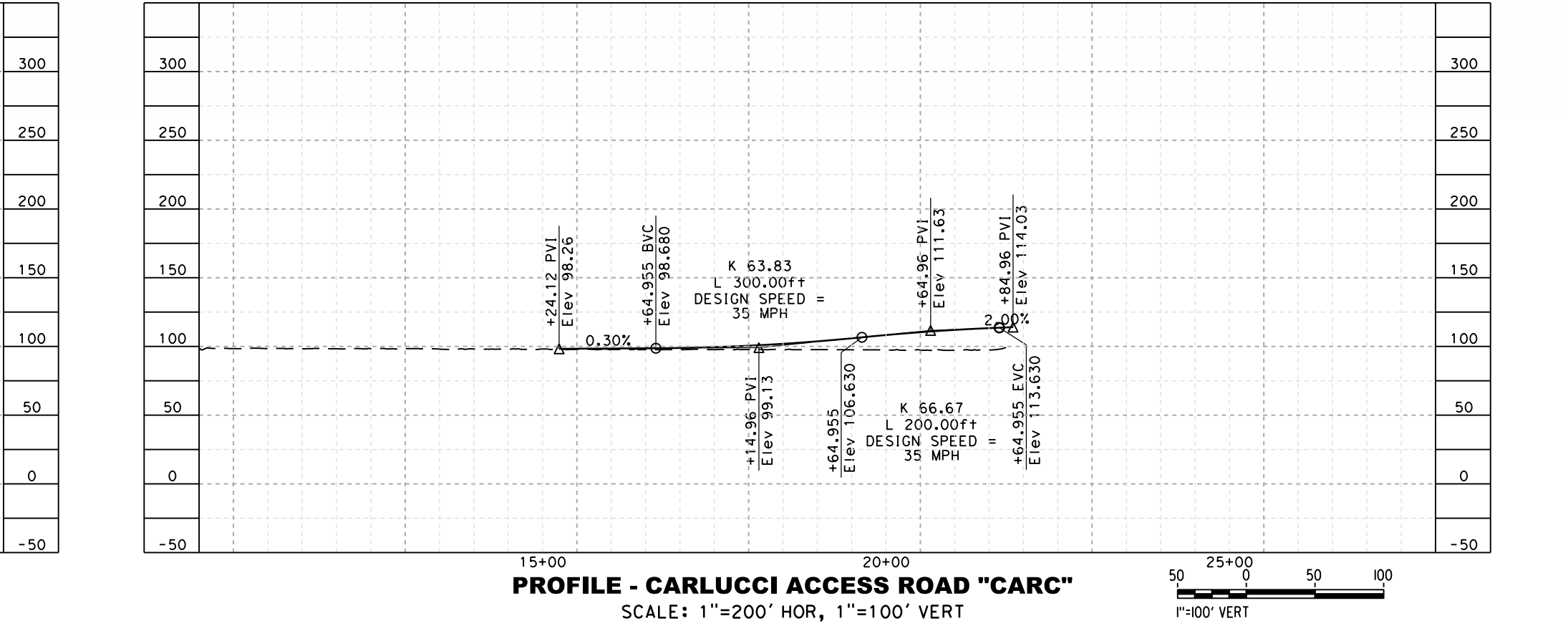
PLAN - CARLUCCI ACCESS ROAD "CARC"
SCALE: 1"=200'



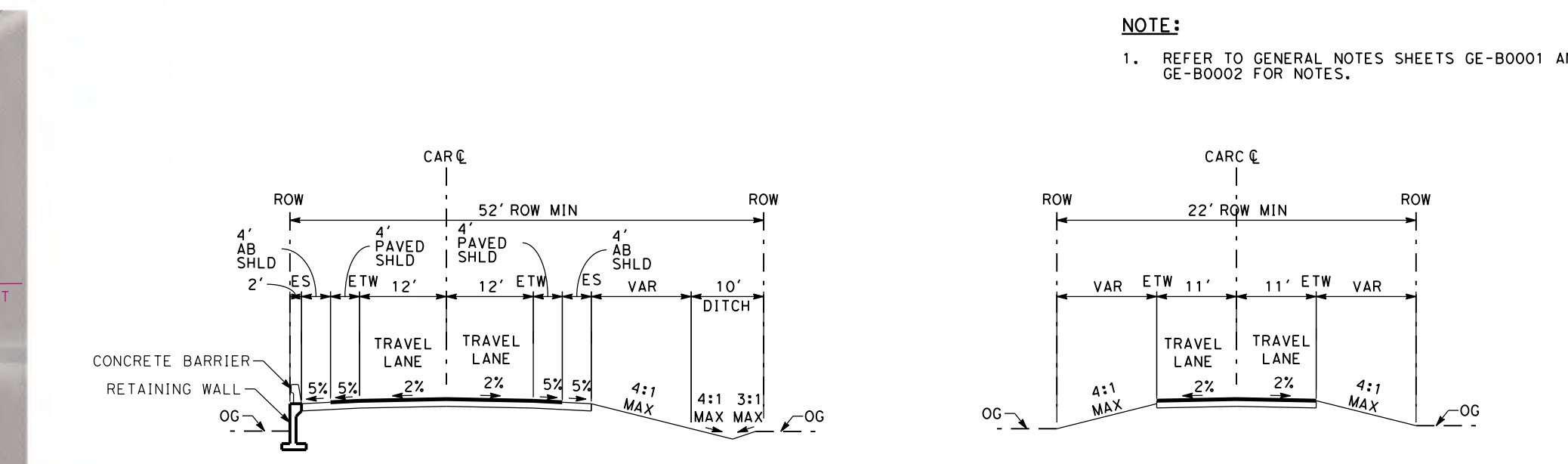
PROFILE - CARLUCCI RD "CAR"
SCALE: 1"=200' HOR, 1"=100' VERT



PROFILE - HENRY MILLER RD TO CARLUCCI RD "CRHM"
SCALE: 1"=200' HOR, 1"=100' VERT

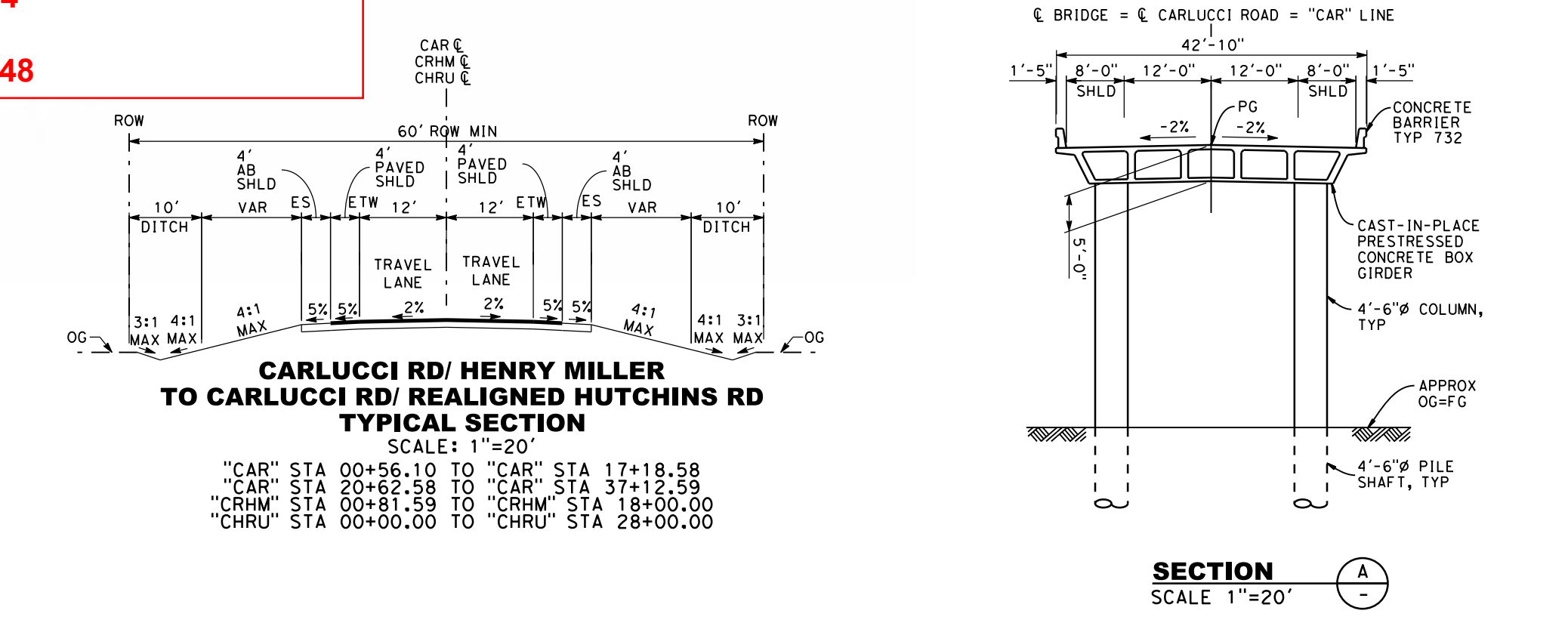


PROFILE - CARLUCCI ACCESS ROAD "CARC"
SCALE: 1"=200' HOR, 1"=100' VERT



CARLUCCI RD TYPICAL SECTION
SCALE: 1"=20'
"CAR" STA 20+79.47 TO "CAR" STA 22+00.00

CARLUCCI ACCESS RD TYPICAL SECTION
SCALE: 1"=20'
"CARC" STA 15+24.12 TO "CARC" STA 21+84.96



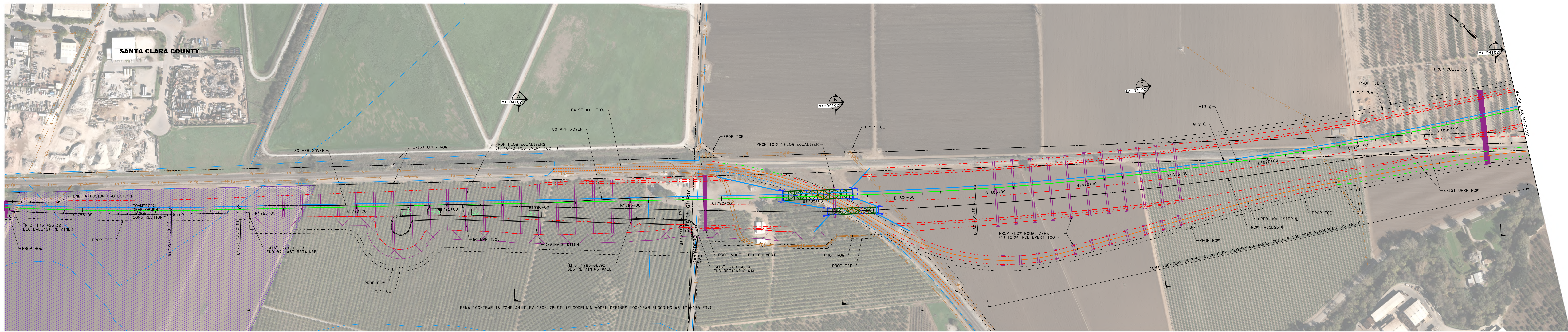
CARLUCCI RD/HENRY MILLER RD TO CARLUCCI RD/REALIGNED HUTCHINS RD TYPICAL SECTION
SCALE: 1"=20'

"CAR" STA 00+56.10 TO "CAR" STA 17+18.58
"CAR" STA 20+62.58 TO "CAR" STA 37+12.59
"CRHM" STA 00+81.59 TO "CRHM" STA 18+00.00
"CHRU" STA 00+00.00 TO "CHRU" STA 28+00.00

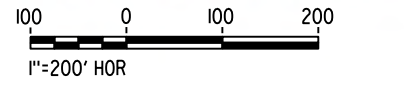
**SAN JOSE TO CVY EIR/S: VOLUME III
ALTERNATIVE 4
BOOK 4D
SHEET 91 OF 148**

RECORD PERM SUBMITTAL MAY 3, 2019	NOT FOR CONSTRUCTION	HNTB 1111 Broadway 9th Floor Oakland, CA 94607	CALIFORNIA High-Speed Rail Authority	CALIFORNIA HIGH-SPEED TRAIN PROJECT SAN JOSE TO MERCED SAN JOAQUIN VALLEY HENRY MILLER ROAD GRADE SEPARATION LAYOUT, PROFILE, & CROSS SECTIONS CARLUCCI ROAD	CONTRACT NO. HSR15-34 DRAWING NO. CV-T1611 SCALE AS SHOWN SHEET NO.
--------------------------------------	----------------------	---	--------------------------------------	---	---

NOTE:
 1. FOR UTILITY, SYSTEMS, ROADWAY, AND DRAINAGE DETAILS, SEE COMPOSITE DRAWINGS.
 2. FOR COMPLEX STRUCTURES, SEE DRAWING ST-V4001.



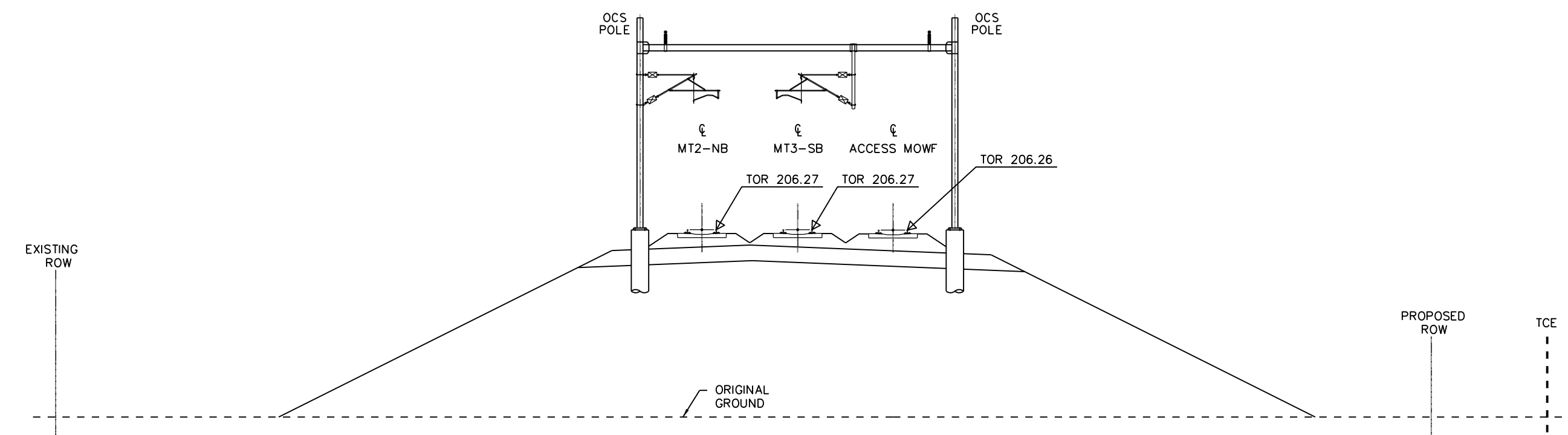
PLAN
 SCALE: 1"=200'



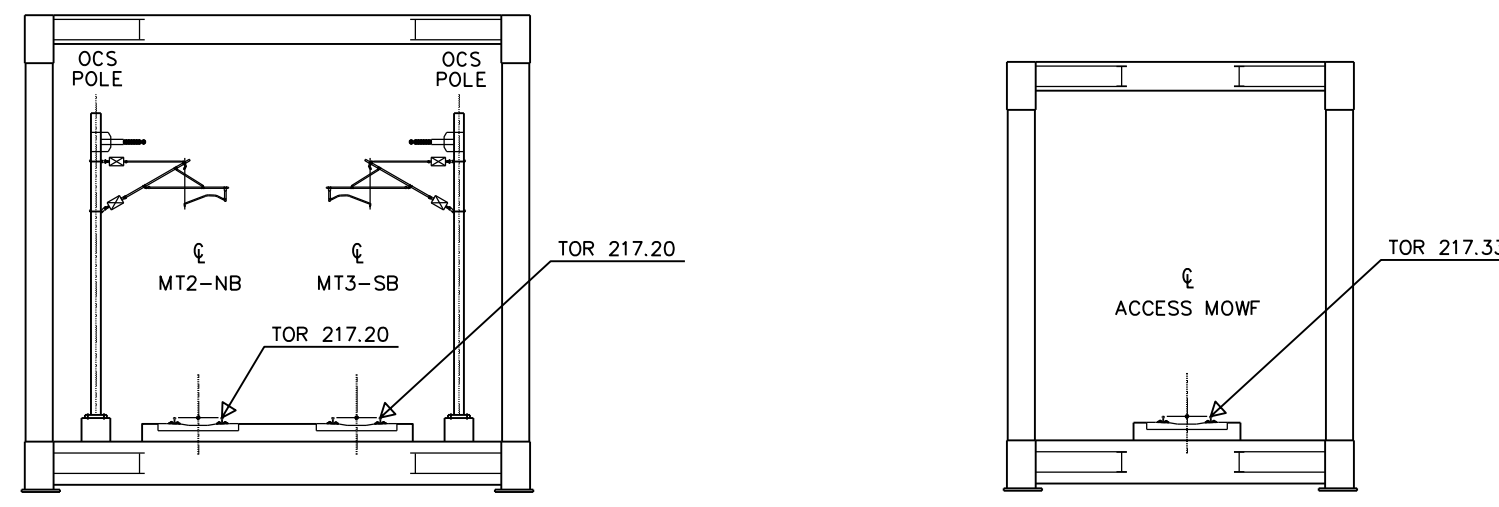
SAN JOSE TO CVY EIR/S: VOLUME III
ALTERNATIVE 4
BOOK 4D
SHEET 93 OF 148

RECORD PERM SUBMITTAL MAY 3, 2019 NOT FOR CONSTRUCTION		1111 Broadway 9th Floor Oakland, CA 94607		CALIFORNIA HIGH-SPEED TRAIN PROJECT SAN JOSE TO MERCED CP COAST TO GILROY BLENDED AT-GRADE ALTERNATIVE MOWF DETAIL SHEET 1 OF 4	CONTRACT NO. HSR15-34 DRAWING NO. MY-D4100 SCALE AS SHOWN SHEET NO.
--	--	---	--	--	---

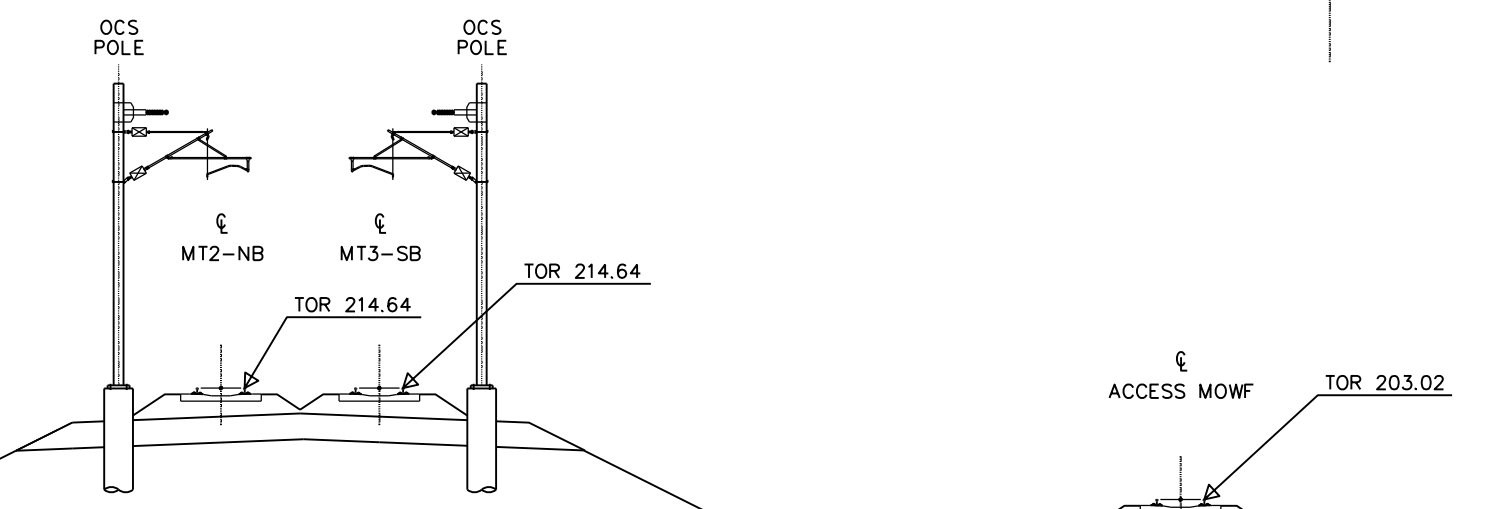
USER: DATE: TIME: PLOT: PLOTSCALE: PLOTORIS:



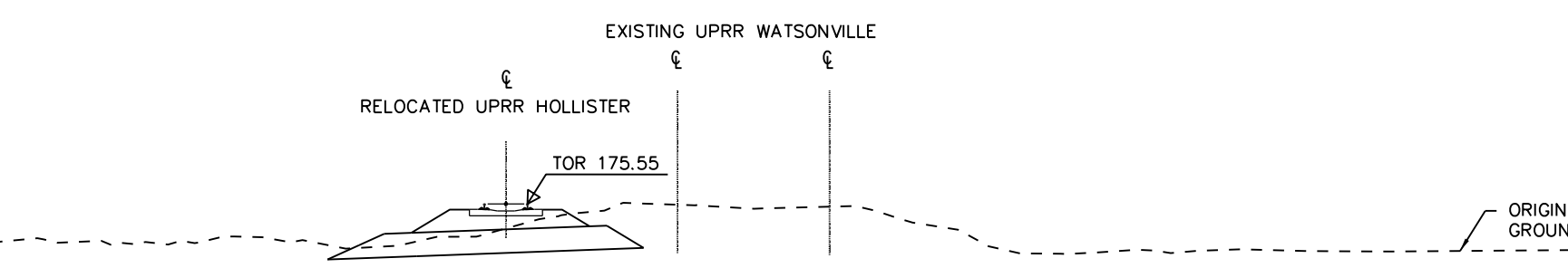
SECTION A
SCALE 1"=10'-0"



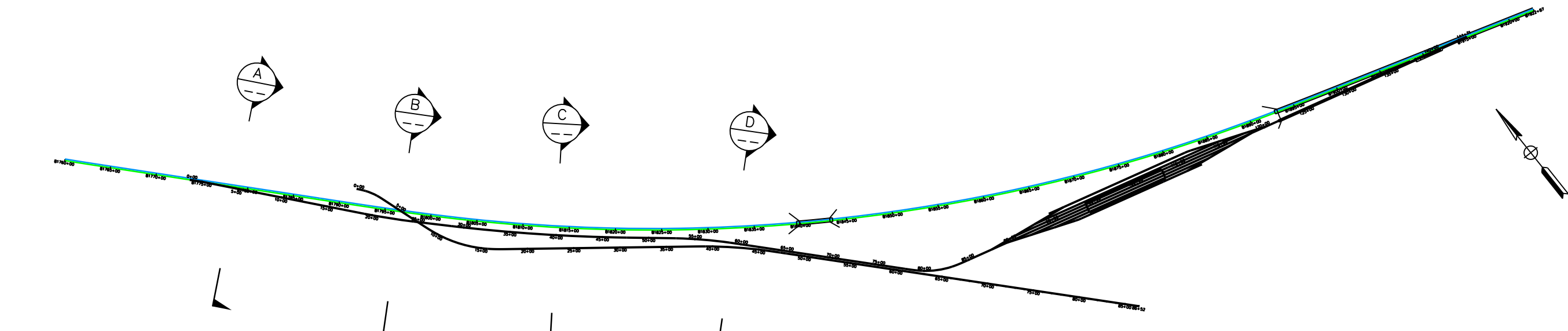
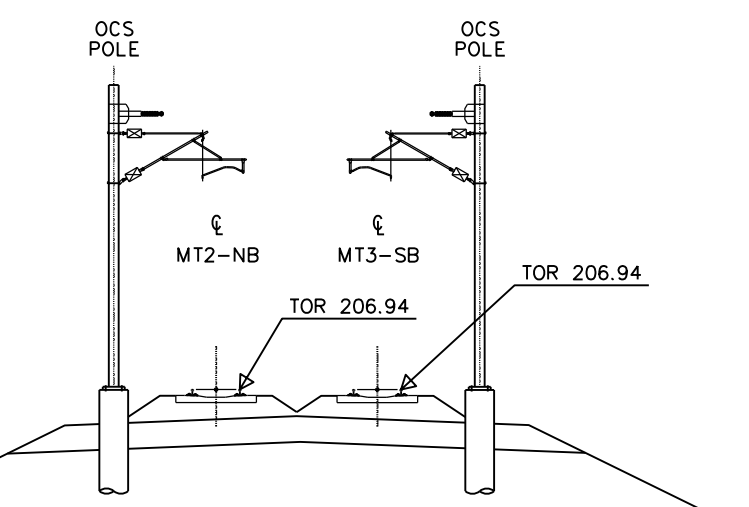
SECTION B
SCALE 1"=10'-0"



SECTION C
SCALE 1"=10'-0"



SECTION D
SCALE 1"=10'-0"

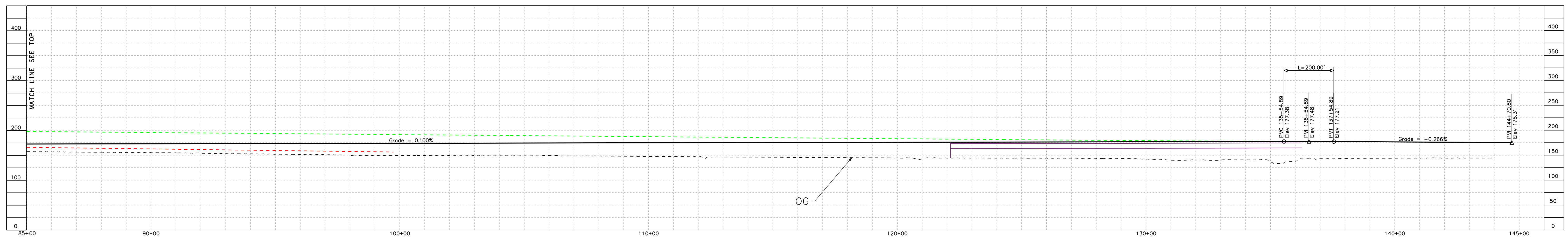
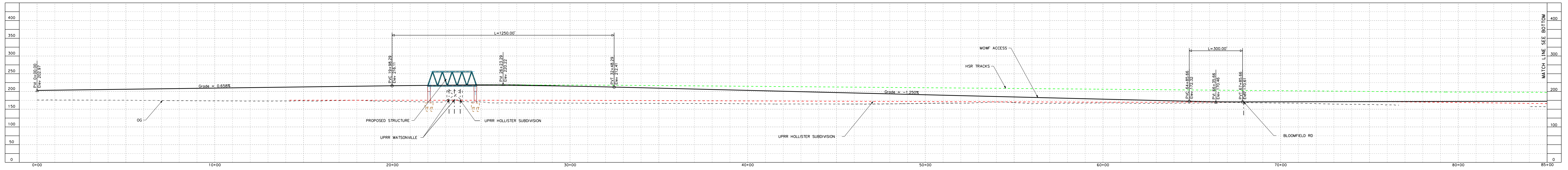


**RECORD PEPP SUBMITTAL
MAY 3, 2019**

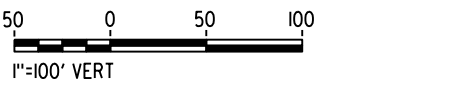
**SAN JOSE TO CVY EIR/S: VOLUME III
ALTERNATIVE 4
BOOK 4D
SHEET 95 OF 148**

RECORD PEPP SUBMITTAL MAY 3, 2019 NOT FOR CONSTRUCTION	HNTB 1111 Broadway 9th Floor Oakland, CA 94607		CALIFORNIA HIGH-SPEED TRAIN PROJECT SAN JOSE TO MERCED CP COAST TO GILROY BLENDED AT-GRADE ALTERNATIVE MOW DETAIL SHEET 3 OF 4	CONTRACT NO. HSR15-34 DRAWING NO. MT-D4102 SCALE AS SHOWN SHEET NO.
--	--	--	---	---

NOTE:



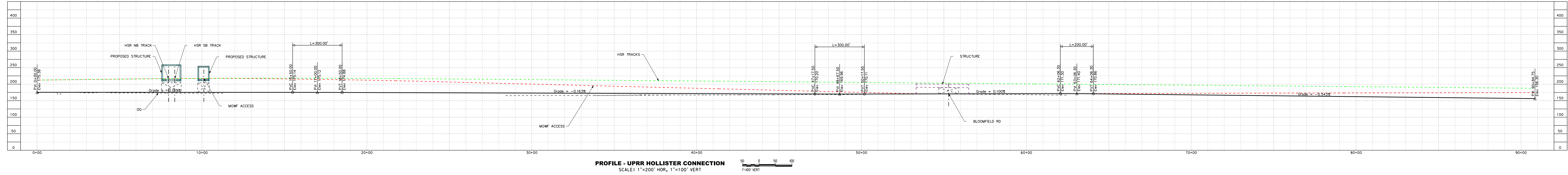
PROFILE
SCALE: 1"=100' HOR, 1"=10' VERT



SAN JOSE TO CVY EIR/S: VOLUME III
ALTERNATIVE 4
BOOK 4D
SHEET 97 OF 148

RECORD PERM SUBMITTAL MAY 3, 2019 NOT FOR CONSTRUCTION	HNTB 1111 Broadway 9th Floor Oakland, CA 94607		CALIFORNIA HIGH-SPEED TRAIN PROJECT SAN JOSE TO MERCED CP COAST TO GILROY BLENDED AT-GRADE ALTERNATIVE UPRR PROFILE FOR MOWF SHEET 1 OF 2	CONTRACT NO. HSR15-34 DRAWING NO. MT-D4104 SCALE AS SHOWN SHEET NO.
---	--	--	--	---

NOTE:



SAN JOSE TO CVY EIR/S: VOLUME III
ALTERNATIVE 4
BOOK 4D
SHEET 98 OF 148

RECORD PERM SUBMITTAL MAY 3, 2019 NOT FOR CONSTRUCTION	HNTB <small>1111 Broadway 9th Floor Oakland, CA 94607</small>		CALIFORNIA HIGH-SPEED TRAIN PROJECT SAN JOSE TO MERCED CP COAST TO GILROY BLENDED AT-GRADE ALTERNATIVE UPRR PROFILE FOR MOWF SHEET 2 OF 2	CONTRACT NO. HSR15-34 DRAWING NO. MY-D4105 SCALE AS SHOWN SHEET NO.
---	---	--	--	---

USER: DATE: TIME: #FILE: #LINES: #LINES: #FILE: #LINES: #LINES:

USER DATE TIME FILE #LINE #LINE# #LINE#

Element	Point Type	Station	Northing	Easting	Radius	Length	Delta / Theta	Rotation Direction	K	P
TANGENT	POB	0+00.00	1816489.79	6255628.99						
TANGENT	PI	1+17.91	1816403.19	6255709.01						
TANGENT	PI	1+17.91	1816403.19	6255709.01						
TANGENT	TS	18+48.95	1815082.46	6256828.01						
CLOTHOID	TS	18+48.95	1815082.46	6256828.01						
CLOTHOID	SPI	18+92.28	1815049.39	6256856.03		65	0°13'58"	Left	32.5	0.02
CLOTHOID	SC	19+13.95	1815032.92	6256870.1						
ARC	SC	19+13.95	1815032.92	6256870.1						
ARC	PI	21+85.69	1814826.31	6257046.6	8000	543.27	3°53'27"	Left		
ARC	CC		1820229.13	6262952.81						
ARC	CS	24+57.22	1814632.14	6257236.72						
CLOTHOID	CS	24+57.22	1814632.14	6257236.72						
CLOTHOID	SPI	24+78.89	1814616.66	6257251.87		65	0°13'58"	Left	32.5	0.02
CLOTHOID	ST	25+22.22	1814585.82	6257282.32						
TANGENT	ST	25+22.22	1814585.82	6257282.32						
TANGENT	TS	27+97.35	1814390.02	6257475.6						
CLOTHOID	TS	27+97.35	1814390.02	6257475.6						
CLOTHOID	SPI	28+40.68	1814359.19	6257506.04		65	0°06'00"	Left	32.5	0.01
CLOTHOID	SC	28+62.35	1814343.79	6257521.29						

Element	Point Type	Station	Northing	Easting	Radius	Length	Delta / Theta	Rotation Direction	K	P
ARC	SC	28+62.35	1814343.79	6257521.29						
ARC	PI	38+13.18	1813668.29	6258190.45	18600	1900	5°51'10"	Left		
ARC	CC		1827433.79	6270735.38						
ARC	CS	47+62.35	1813064.55	6258925						
CLOTHOID	CS	47+62.35	1813064.55	6258925						
CLOTHOID	SPI	47+84.02	1813050.79	6258941.74		65	0°06'00"	Left	32.5	0.01
CLOTHOID	ST	48+27.35	1813023.33	6258975.26						
TANGENT	ST	48+27.35	1813023.33	6258975.26						
TANGENT	TS	52+00.44	1812786.94	6259263.91						
CLOTHOID	TS	52+00.44	1812786.94	6259263.91						
CLOTHOID	SPI	52+63.78	1812746.81	6259312.9		95	0°32'40"	Right	47.5	0.08
CLOTHOID	SC	52+95.44	1812726.51	6259337.21						
ARC	SC	52+95.44	1812726.51	6259337.21						
ARC	PI	55+86.73	1812539.82	6259560.8	5000	581.92	6°40'06"	Right		
ARC	CC		1808888.54	6256132.53						
ARC	CS	58+77.36	1812328.42	6259761.2						
CLOTHOID	CS	58+77.36	1812328.42	6259761.2						
CLOTHOID	SPI	59+09.03	1812305.44	6259782.99		95	0°32'40"	Right	47.5	0.08
CLOTHOID	ST	59+72.36	1812259.06	6259826.12						

Element	Point Type	Station	Northing	Easting	Radius	Length	Delta / Theta	Rotation Direction	K	P
TANGENT	ST	59+72.36	1812259.06	6259826.12						
TANGENT	TS	77+92.92	1810925.98	6261066.01						
CLOTHOID	TS	77+92.92	1810925.98	6261066.01						
CLOTHOID	SPI	79+16.99	1810835.13	6261150.51		186	5°55'14"	Left	92.97	1.6
CLOTHOID	SC	79+78.92	1810794.29	6261197.24						
ARC	SC	79+78.92	1810794.29	6261197.24						
ARC	PI	81+43.94	1810685.69	6261321.49	900	326.41	20°46'48"	Left		
ARC	CC		1811471.94	6261789.51						
ARC	CS	83+05.33	1810628.24	6261476.19						
CLOTHOID	CS	83+05.33	1810628.24	6261476.19						
CLOTHOID	SPI	83+67.40	1810606.63	6261534.37		186	5°55'14"	Left	92.97	1.6
CLOTHOID	ST	84+91.33	1810575.67	6261654.51						
TANGENT	ST	84+91.33	1810575.67	6261654.51						
TANGENT	PI	142+85.49	1809129.51	6267265.29						
TANGENT	POE	144+70.80	1809100.42	6267360.97						

Element	Point Type	Station	Northing	Easting	Radius	Length	Delta / Theta	Rotation Direction	K	P
CLOTHOID	TS	0+00.00	1815580.81	6256738.09						
CLOTHOID	SPI	0+66.67	1815529.95	6256781.19		100	1°30'28"	Right	50	0.22
CLOTHOID	SC	1+00.00	1815503.96	6256802.07						
ARC	SC	1+00.00	1815503.96	6256802.07						
ARC	PI	5+25.80	1815172	6257068.72	1900	837.75	25°15'47"	Right		
ARC	CC		1814314.09	6255320.78						
ARC	CS	9+37.75	1814757.98	6257168.2						
CLOTHOID	CS	9+37.75	1814757.98	6257168.2						
CLOTHOID	SPI	9+71.09	1814725.57	6257175.99		100	1°30'28"	Right	50	0.22
CLOTHOID	ST	10+37.75	1814660.36	6257189.85						
TANGENT	ST	10+37.75	1814660.36	6257189.85						
TANGENT	TS	11+74.84	1814526.27	6257218.36						
CLOTHOID	TS	11+74.84	1814526.27	6257218.36						
CLOTHOID	SPI	12+74.86	1814428.43	6257239.16		150	3°34'52"	Left	74.99	0.78
CLOTHOID	SC	13+24.84	1814380.25	6257252.6						
ARC	SC	13+24.84	1814380.25	6257252.6						
ARC	PI	17+36.17	1813984.05	6257363.1	1200	792.53	37°50'27"	Left		
ARC	CC		1814702.63	6258408.49						
ARC	CS	21+17.37	1813738.95	6257693.43						

UPRR HOLLISTER HORIZONTAL ALIGNMENT

Element	Point Type	Station	Northing	Easting	Radius	Length	Delta / Theta	Rotation Direction	K	P
CLOTHOID	CS	21+17.37	1813738.95	6257693.43						
CLOTHOID	SPI	21+67.39	1813709.14	6257733.6		150	3°34'52"	Left	74.99	0.78
CLOTHOID	ST	22+67.37	1813654.67	6257817.49						
TANGENT	ST	22+67.37	1813654.67	6257817.49						
TANGENT	TS	31+37.85	1813180.65	6258547.57						
CLOTHOID	TS	31+37.85	1813180.65	6258547.57						
CLOTHOID	SPI	32+37.85	1813126.19	6258631.45		150	0°51'34"	Right	75	0.19
CLOTHOID	SC	32+87.85	1813098.34	6258672.97						
ARC	SC	32+87.85	1813098.34	6258672.97						
ARC	PI	34+34.08	1813016.87	6258794.42	5000	292.39	3°21'02"	Right		
ARC	CC		1808946.03	6255887.59						
ARC	CS	35+80.24	1812928.45	6258910.89						
CLOTHOID	CS	35+80.24	1812928.45	6258910.89						
CLOTHOID	SPI	36+30.24	1812898.22	6258950.72		150	0°51'34"	Right	75	0.19
CLOTHOID	ST	37+30.24	1812836.56	6259029.45						

Element	Point Type	Station	Northing	Easting	Radius	Length	Delta / Theta	Rotation Direction	K	P
TANGENT	ST	37+30.24	1812836.56	6259029.45						
TANGENT	TS	41+47.35	1812579.39	6259357.85						
CLOTHOID	TS	41+47.35	1812579.39	6259357.85						
CLOTHOID	SPI	42+54.02	1812513.63	6259441.84		160	0°39'17"	Right	80	0.15
CLOTHOID	SC	43+07.35	1812480.27	6259483.45						
ARC	SC	43+07.35	1812480.27	6259483.45						
ARC	PI	47+78.41	1812185.63	6259850.98	7000	940.69	7°41'59"	Right		
ARC	CC		1807018.68	6255104.97						
ARC	CS	52+48.04	1811844.4	6260175.71						
CLOTHOID	CS	52+48.04	1811844.4	6260175.71						
CLOTHOID	SPI	53+01.37	1811805.77	6260212.48		160	0°39'17"	Right	80	0.15
CLOTHOID	ST	54+08.04	1811727.66	6260285.13						
TANGENT	ST	54+08.04	1811727.66	6260285.13						
TANGENT	POE	90+84.75	1809035.49	6262789.21						

**SAN JOSE TO CVY EIR/S: VOLUME III
ALTERNATIVE 4
BOOK 4D
SHEET 99 OF 148**

RECORD PERM SUBMITTAL MAY 3, 2019 NOT FOR CONSTRUCTION	 1111 Broadway 9th Floor Oakland, CA 94607		CALIFORNIA HIGH-SPEED TRAIN PROJECT SAN JOSE TO MERCED CP COAST TO GILROY BLENDED AT-GRADE ALTERNATIVE MAINTENANCE OF WAY FACILITY UPRR AND MOWF ACCESS GEOMETRIES	CONTRACT NO. HSR15-34 DRAWING NO. MT-D4106 SCALE AS SHOWN SHEET NO.
---	--	--	---	---