

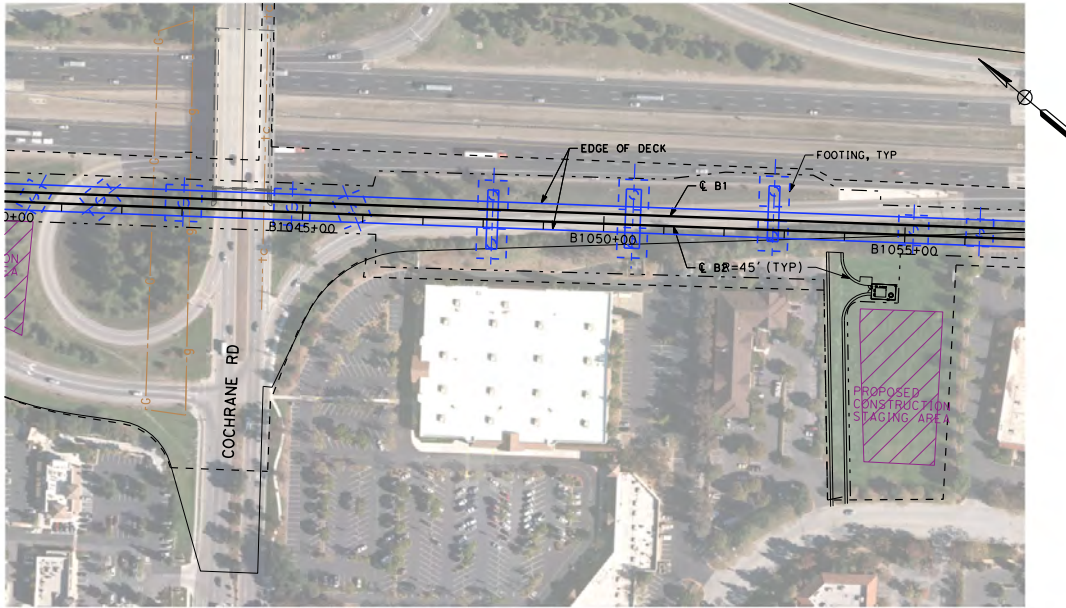
## **APPENDIX B: MONTEREY HIGHWAY VIADUCT, BALANCED CANTILEVER INSTALLATION**



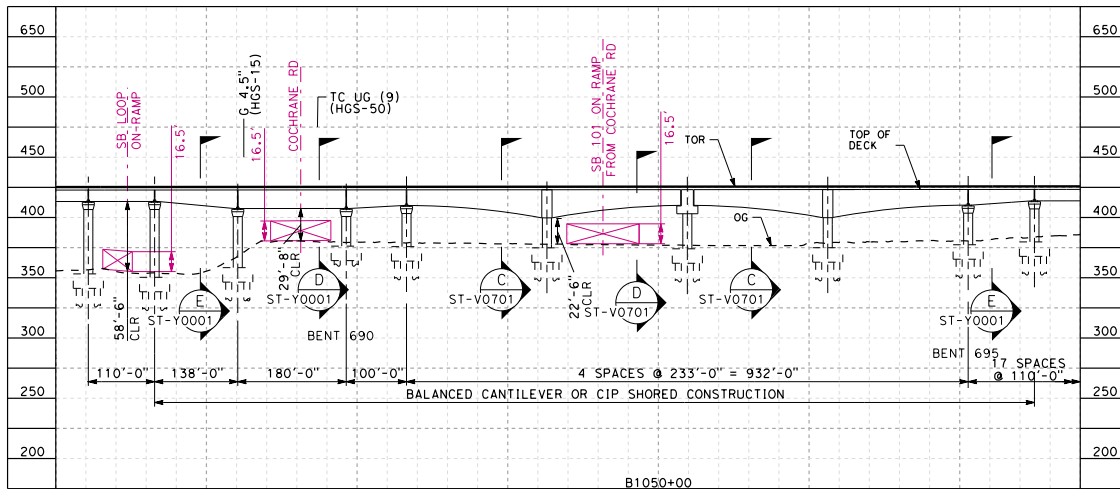


**Appendix B**  
**Monterey Highway Viaduct**  
**Balanced Cantilever Installation**

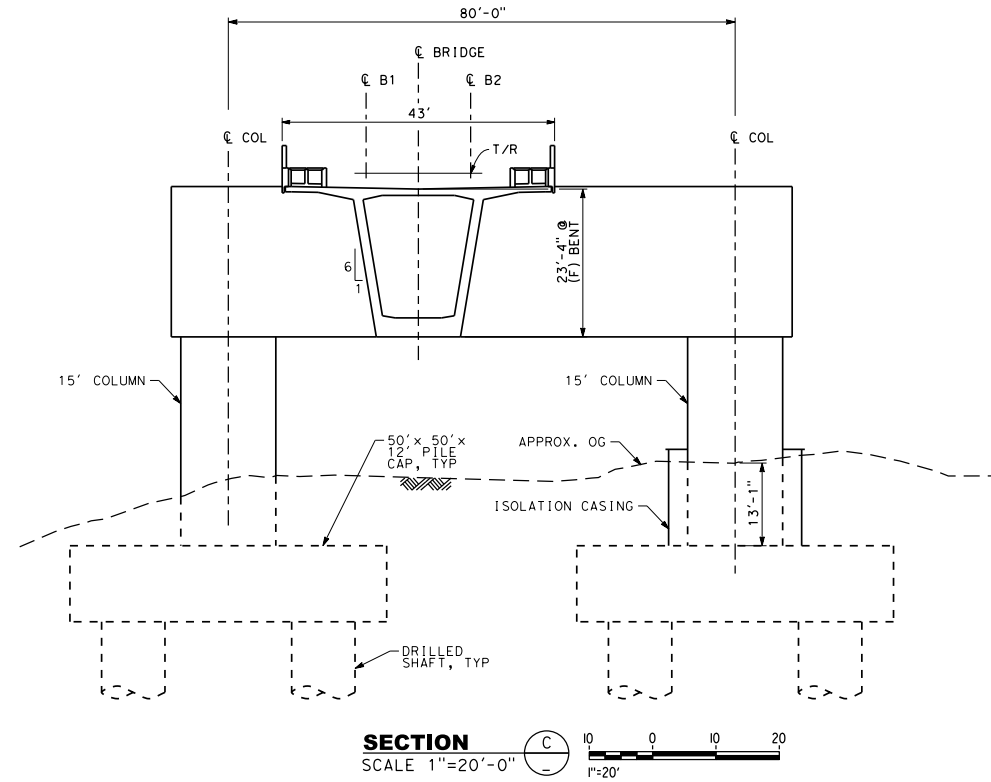




**PLAN - COCHRANE RD ON-RAMP TO SB 101**  
 1"=200' HOR

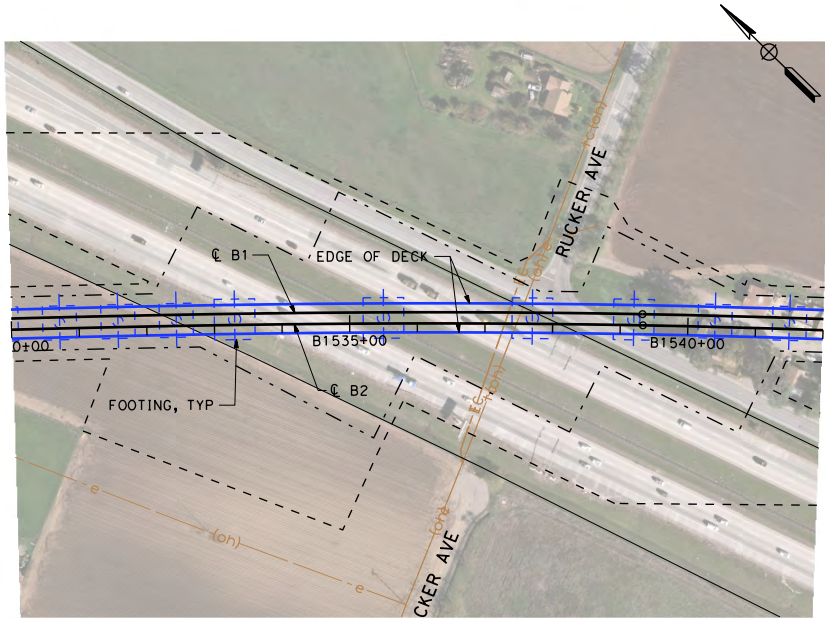


**PROFILE - COCHRANE RD ON-RAMP TO SB 101**  
 SCALE: 1"=200' HOR, 1"=100' VERT

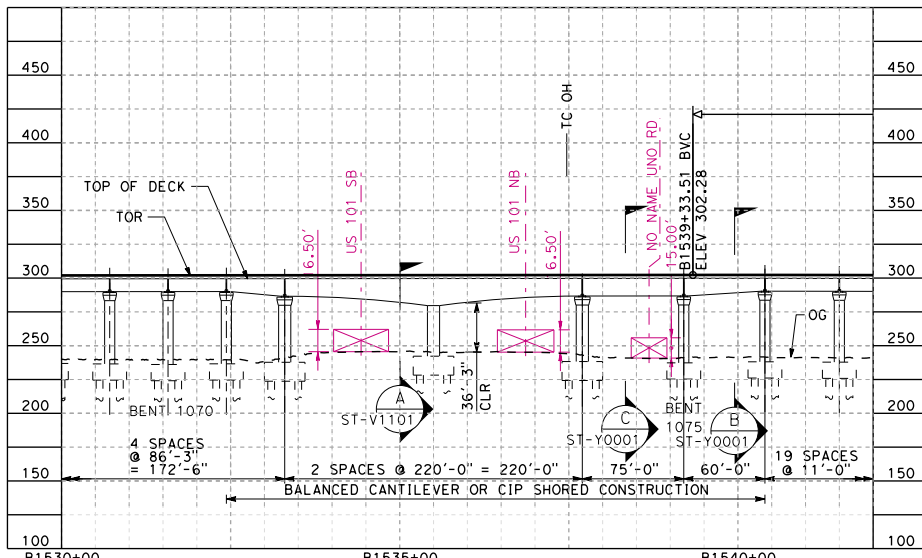
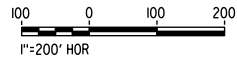


**SECTION**  
 SCALE 1"=20'-0"  
 1"=20'

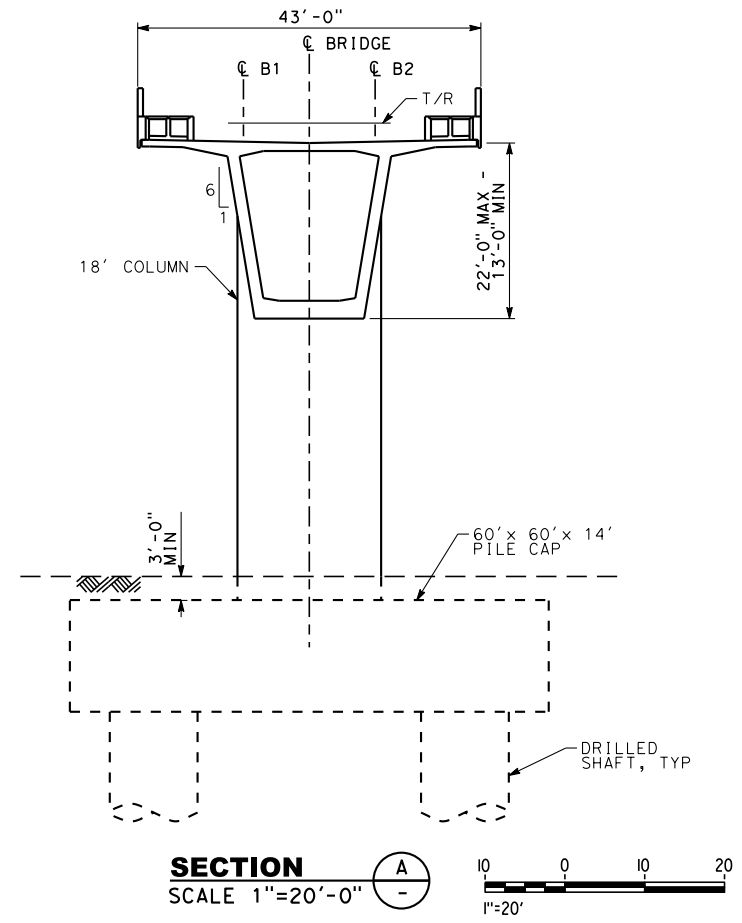
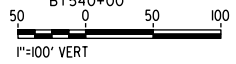
**STATION B1050+00**



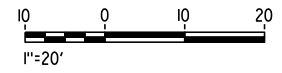
**PLAN - US 101**  
SCALE: 1"=200'



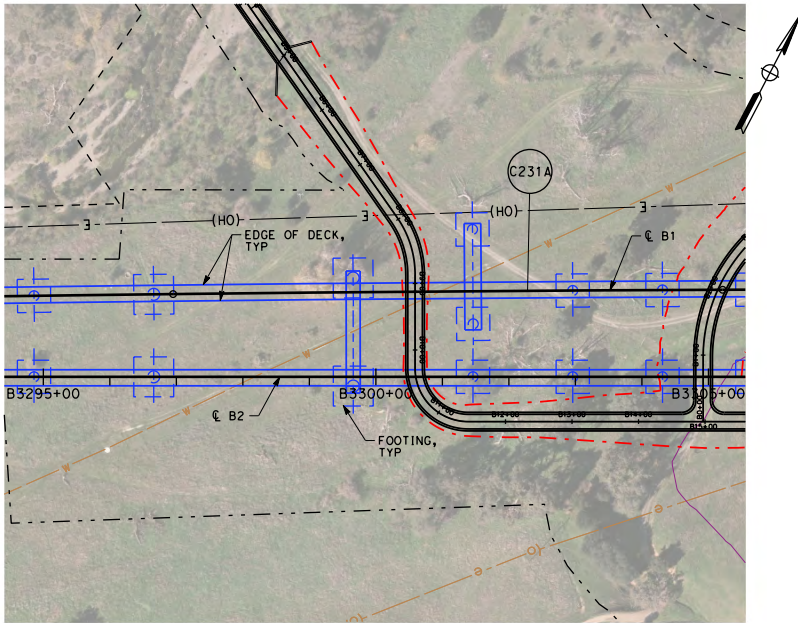
**PROFILE - US 101**  
SCALE: 1"=200' HOR, 1"=100' VERT



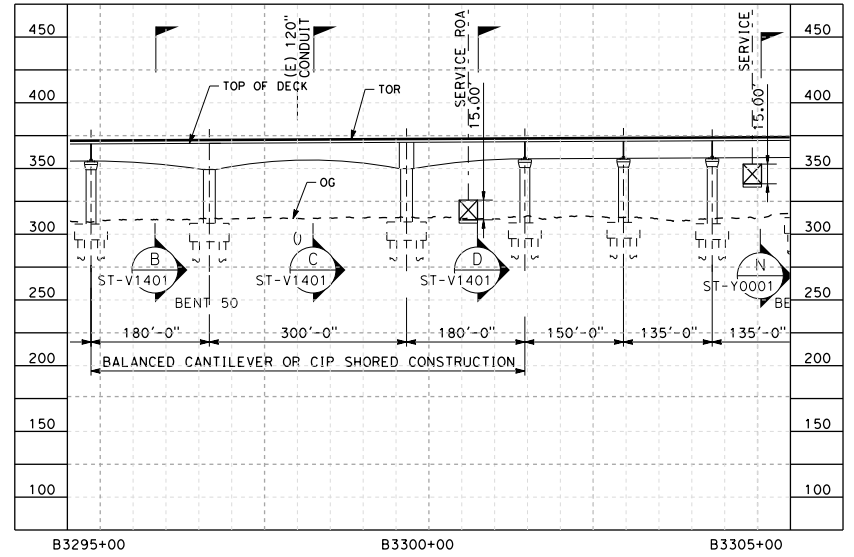
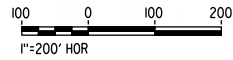
**SECTION**  
SCALE 1"=20'-0" (A)



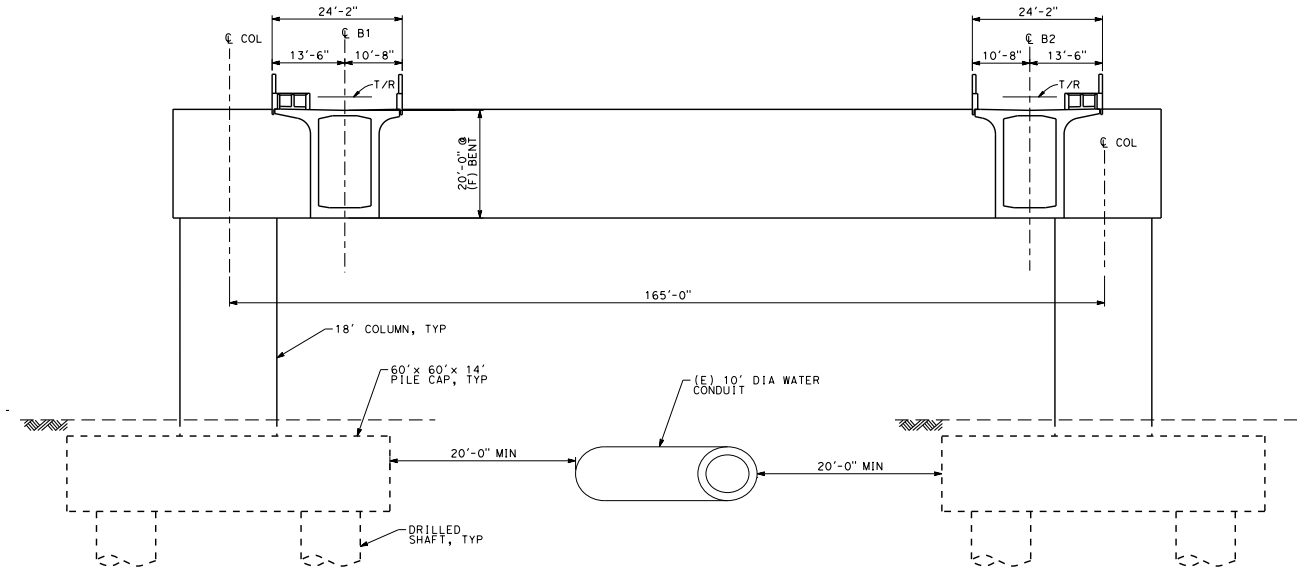
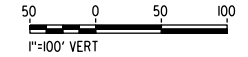
**STATION B1535+00**



**PLAN - PACHECO CONDUIT**  
SCALE: 1"=200'

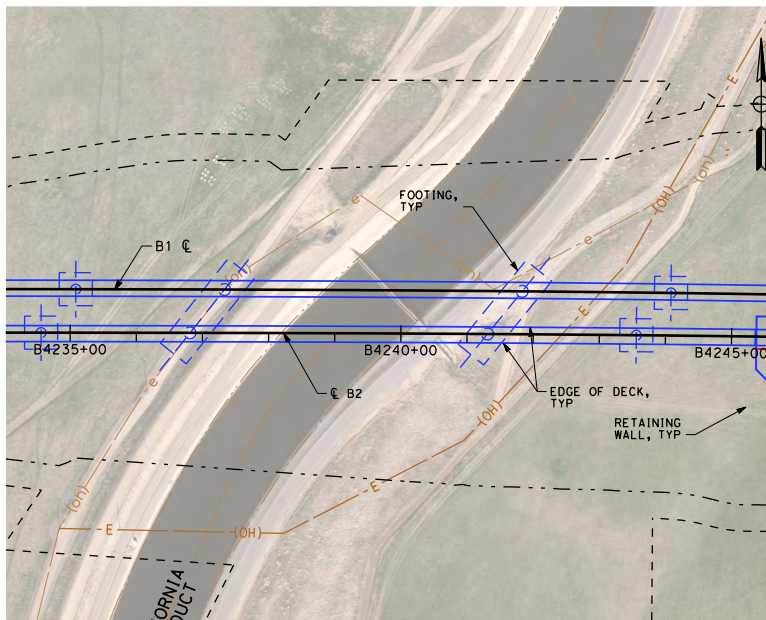


**PROFILE - PACHECO CONDUIT**  
SCALE: 1"=200' HOR, 1"=100' VERT

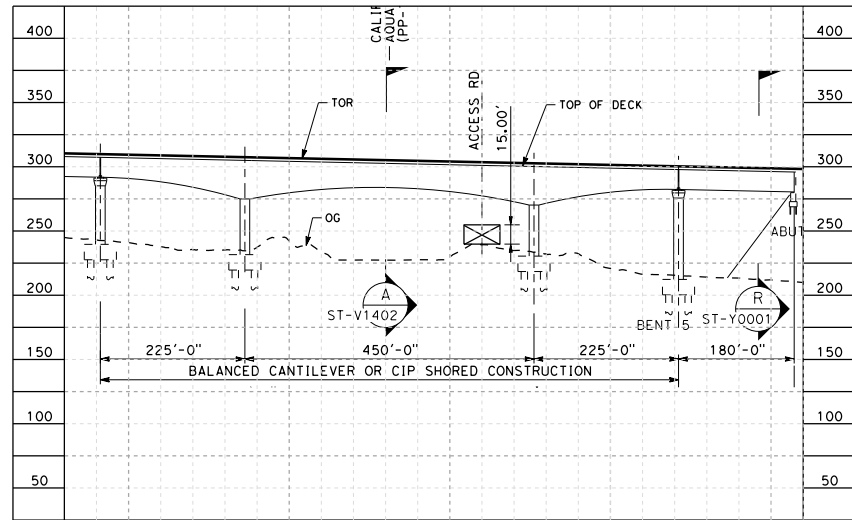
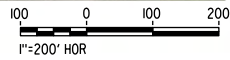


**SECTION**  
SCALE 1"=20'-0"  $\frac{C}{-}$

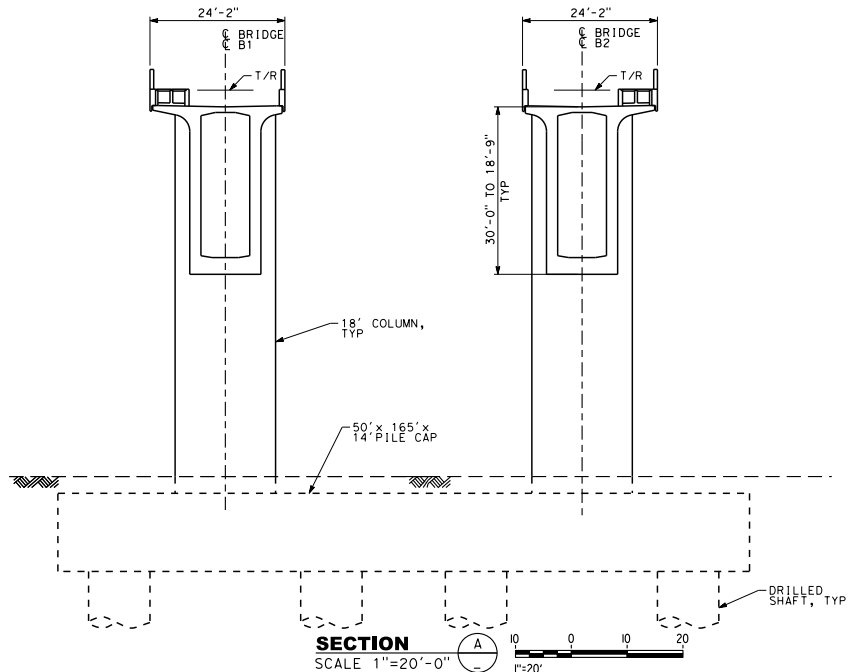
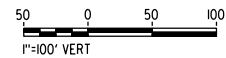
**STATION B3300+00**



**PLAN - CALIFORNIA AQUEDUCT**  
SCALE: 1"=200'



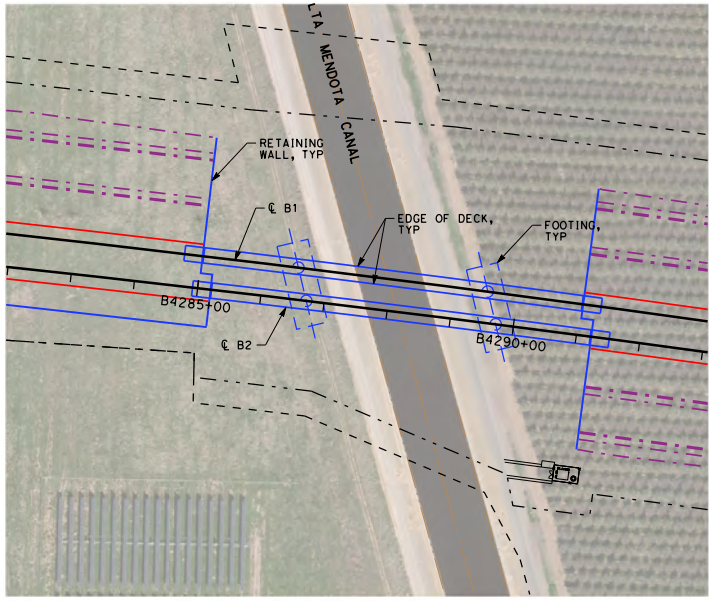
**PROFILE - CALIFORNIA AQUEDUCT**  
SCALE: 1"=200' HOR, 1"=100' VERT



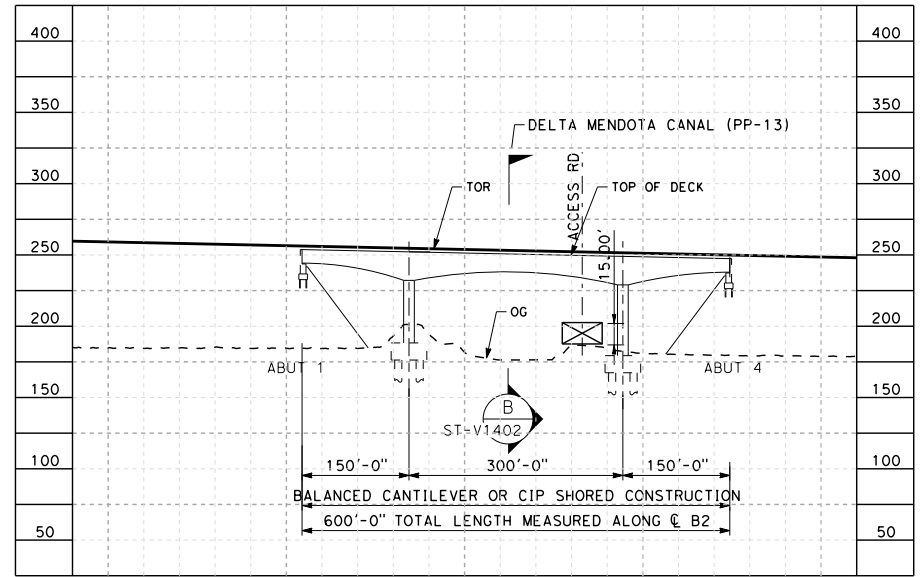
**SECTION**  
SCALE 1"=20'-0"

**STATION B4240+00**

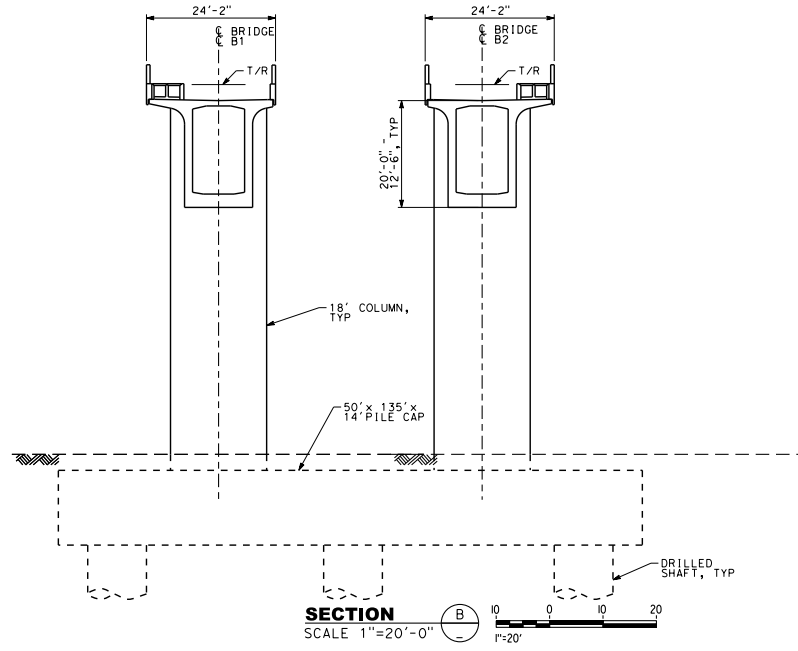




**PLAN - DELTA MENDOTA**  
 SCALE: 1"=200'  
 1"=200' HOR



**PROFILE - DELTA MENDOTA**  
 SCALE: 1"=200' HOR, 1"=100' VERT  
 1"=100' VERT



**SECTION**  
 SCALE 1"=20'-0"  
 1"=20'

**STATION B4290+00**