

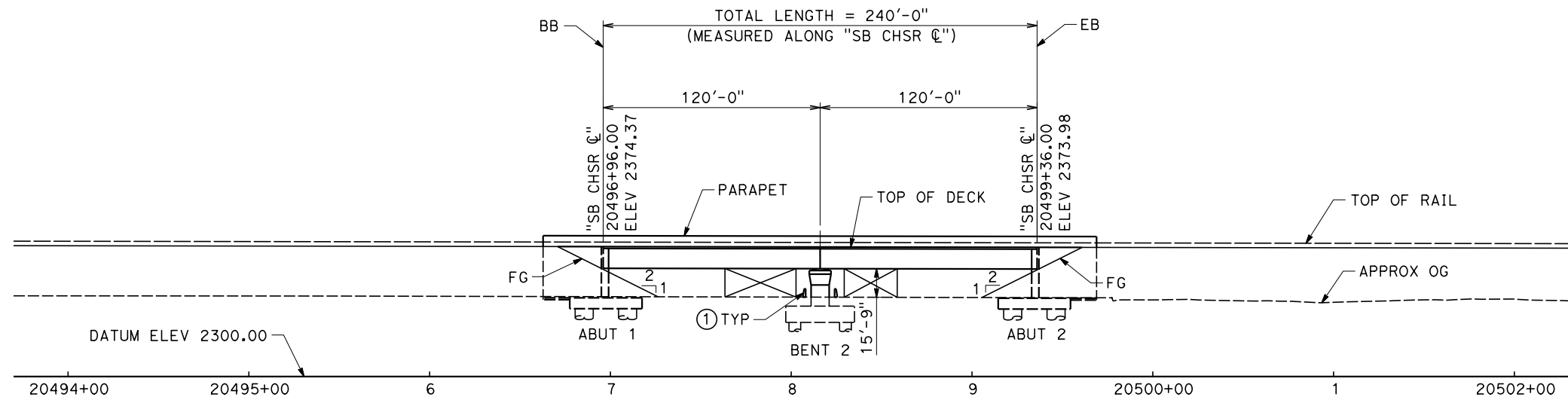
20634+69.00 BVC
ELEV 2352.35

-0.16%

20289+20.81 EVC
ELEV 2407.60

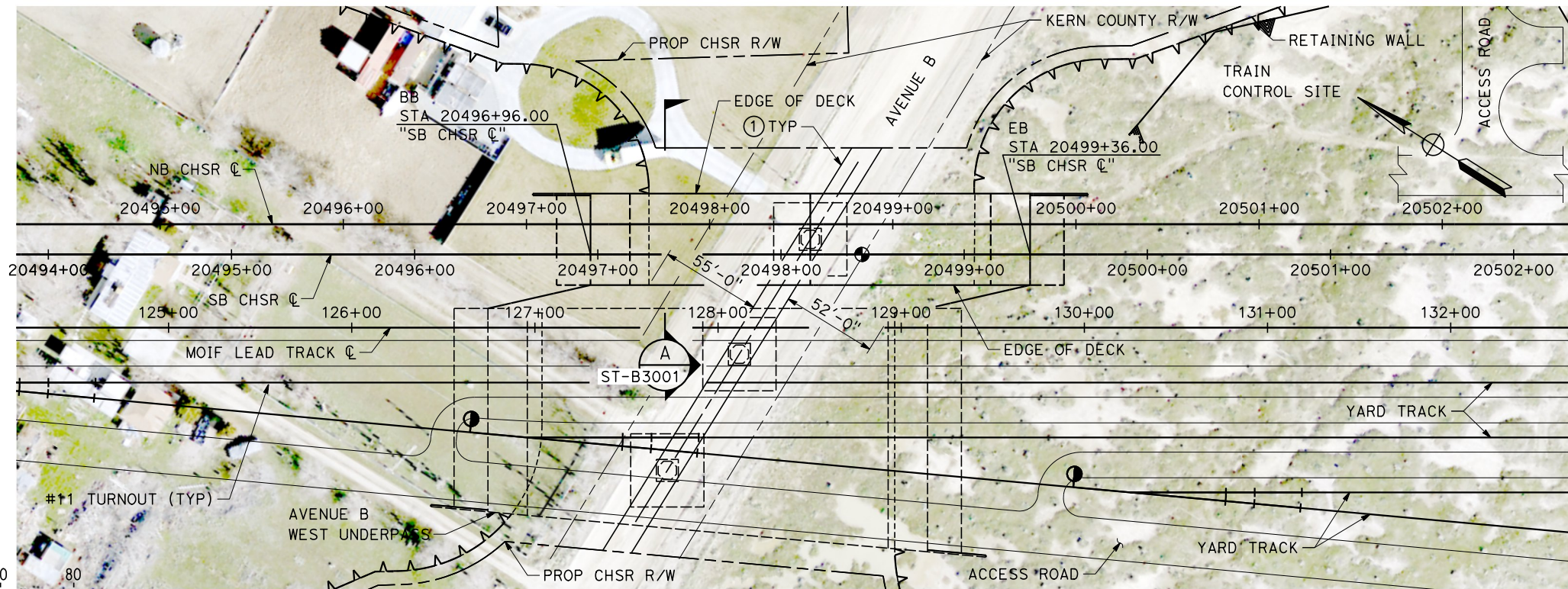
TOP OF RAIL "SB CHSR ☉"

NO SCALE



ELEVATION

SCALE 1" = 40'



PLAN

SCALE 1" = 40'

Projects\701206_00_CHSRBP\00_CADD\Sheet_Files\ST\BP-ST-J1097.dgn
11:20:35 AM
10/30/2017
TYLIN\Wang

REV	DATE	BY	CHK	APP	DESCRIPTION

DESIGNED BY
ROBERT BARTON
DRAWN BY
IVAN MARTIN
CHECKED BY
R. GOLCHOBIAN
IN CHARGE
STEVE SMITH
DATE
10/31/2017

**RECORD
PEPD
SUBMITTAL**

**NOT FOR
CONSTRUCTION**

TYLIN INTERNATIONAL



**CALIFORNIA HIGH-SPEED RAIL PROJECT
BAKERSFIELD TO PALMDALE**

ALTERNATIVES 1,2,3,5
TRACK STRUCTURES
AVENUE B EAST UNDERPASS
PLAN AND ELEVATION

CONTRACT NO.
HSR13-44
DRAWING NO.
ST-J1097
SCALE
AS SHOWN
SHEET NO.

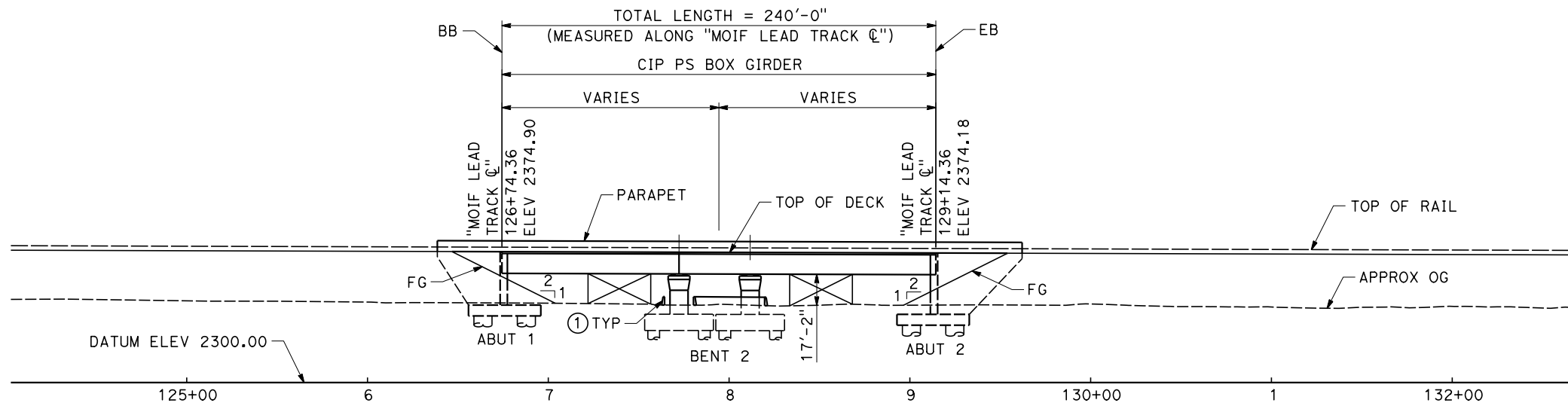
145+55.50 BVC
ELEV 2369.27

-0.30%

119+30.70 EVC
ELEV 2377.13

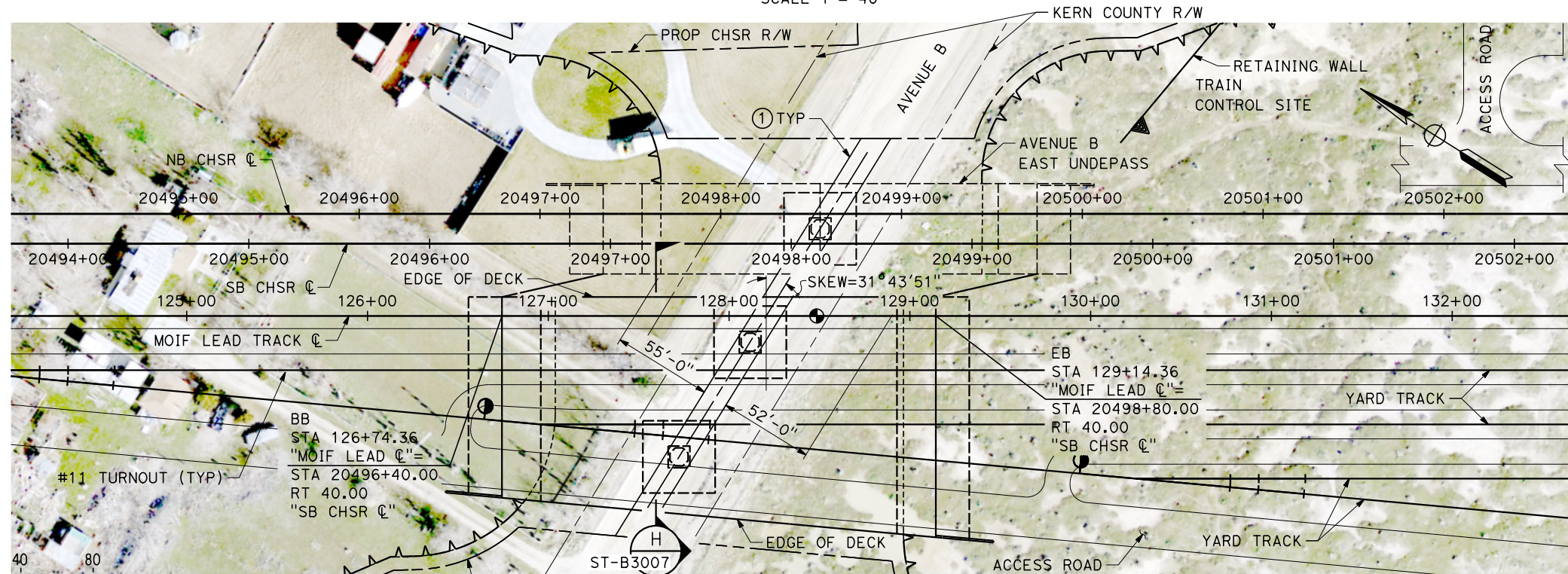
TOP OF RAIL "MOIF LEAD TRACK ☉"

NO SCALE



ELEVATION

SCALE 1" = 40'



PLAN

SCALE 1" = 40'

40 0 40 80
1"=40'
SCALE APPLICABLE FOR FULL SIZE ONLY

Projects\701206_00_CHSRBP\00_CADD\Sheet Files\ST\BP-ST-J1098.dgn 10/30/2017 11:15:54 AM TYLIN\Wang

REV	DATE	BY	CHK	APP	DESCRIPTION

DESIGNED BY
ROBERT BARTON
DRAWN BY
IVAN MARTIN
CHECKED BY
R. GOLCHOBIAN
IN CHARGE
STEVE SMITH
DATE
10/31/2017

**RECORD
PEPD
SUBMITTAL**

**NOT FOR
CONSTRUCTION**

TYLIN INTERNATIONAL



**CALIFORNIA HIGH-SPEED RAIL PROJECT
BAKERSFIELD TO PALMDALE**
ALTERNATIVES 1,2,3,5
TRACK STRUCTURES
AVENUE B WEST UNDERPASS
PLAN AND ELEVATION

CONTRACT NO.
HSR13-44
DRAWING NO.
ST-J1098
SCALE
AS SHOWN
SHEET NO.

20289+20.81 EVC
ELEV 2407.60

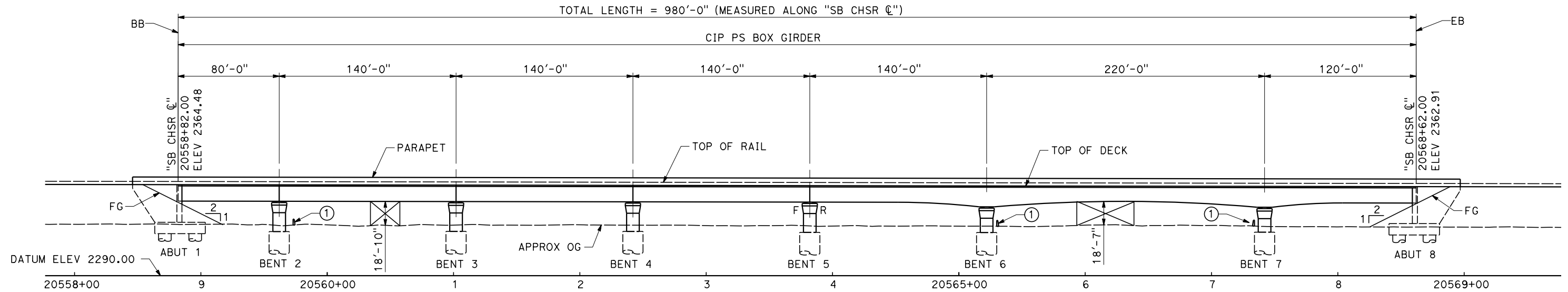
-0.16%

20634+69.00 BVC
ELEV 2352.35

TOP OF RAIL "SB CHSR ☐"

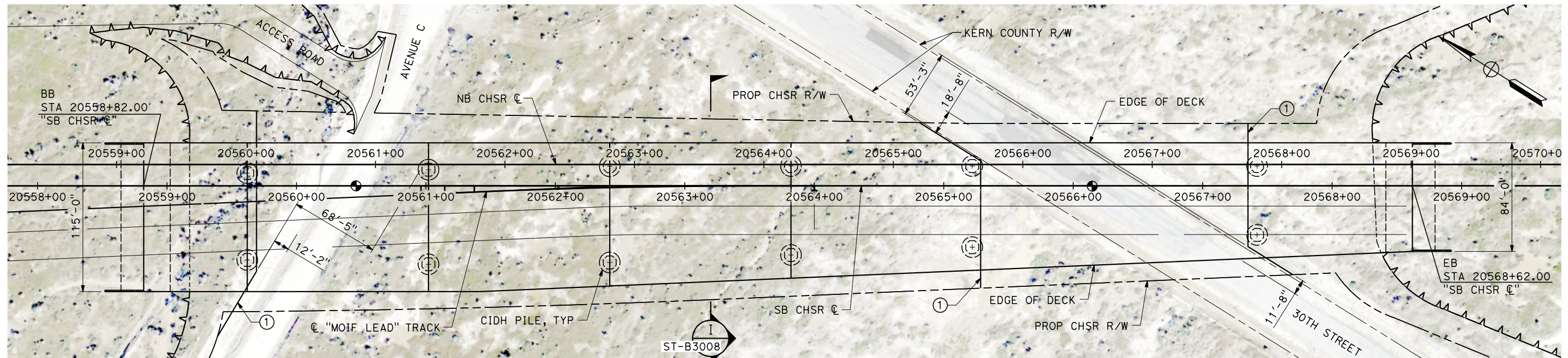
NO SCALE

TOTAL LENGTH = 980'-0" (MEASURED ALONG "SB CHSR ☐")



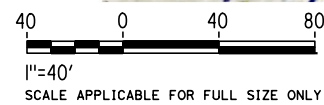
ELEVATION

SCALE 1" = 40'



PLAN

SCALE 1" = 40'



Projects\701206_00_CHSRBP\00_CADD\Sheet_Files\ST\BP-ST-J1099.dgn

10/30/2017 11:10:37 AM

TYLIN\Wang

REV	DATE	BY	CHK	APP	DESCRIPTION

DESIGNED BY
ROBERT BARTON
DRAWN BY
YIHONG WANG
CHECKED BY
R. GOLCHOBIAN
IN CHARGE
STEVE SMITH
DATE
10/31/2017

**RECORD
PEPD
SUBMITTAL**

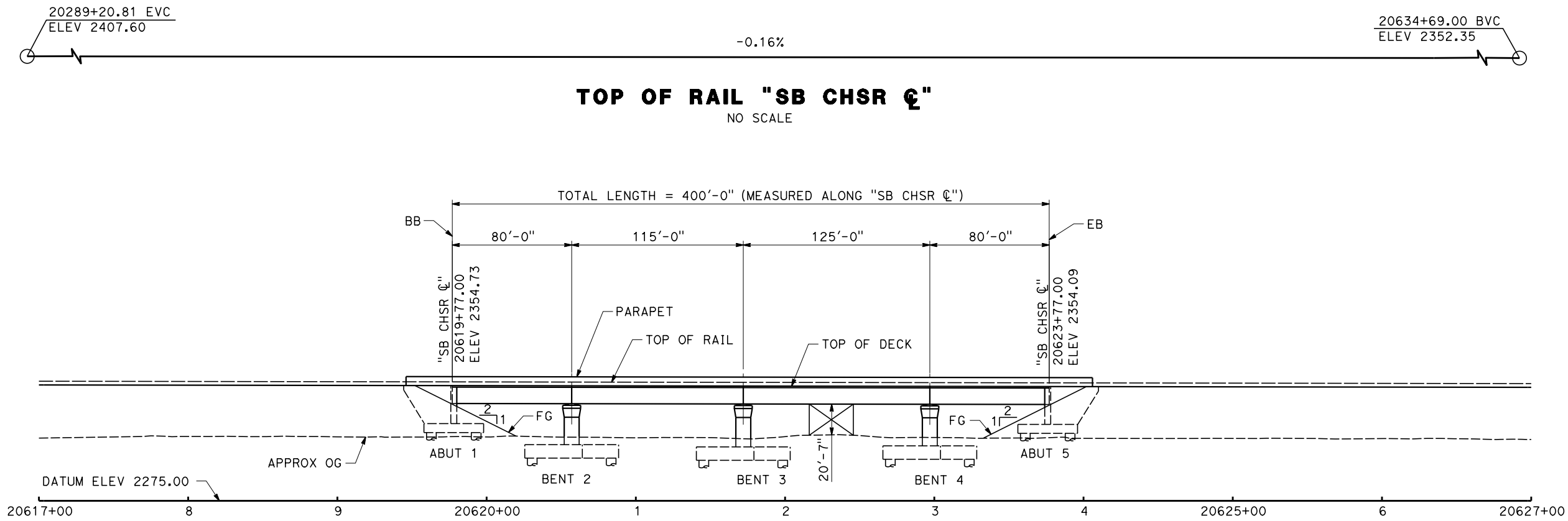
**NOT FOR
CONSTRUCTION**



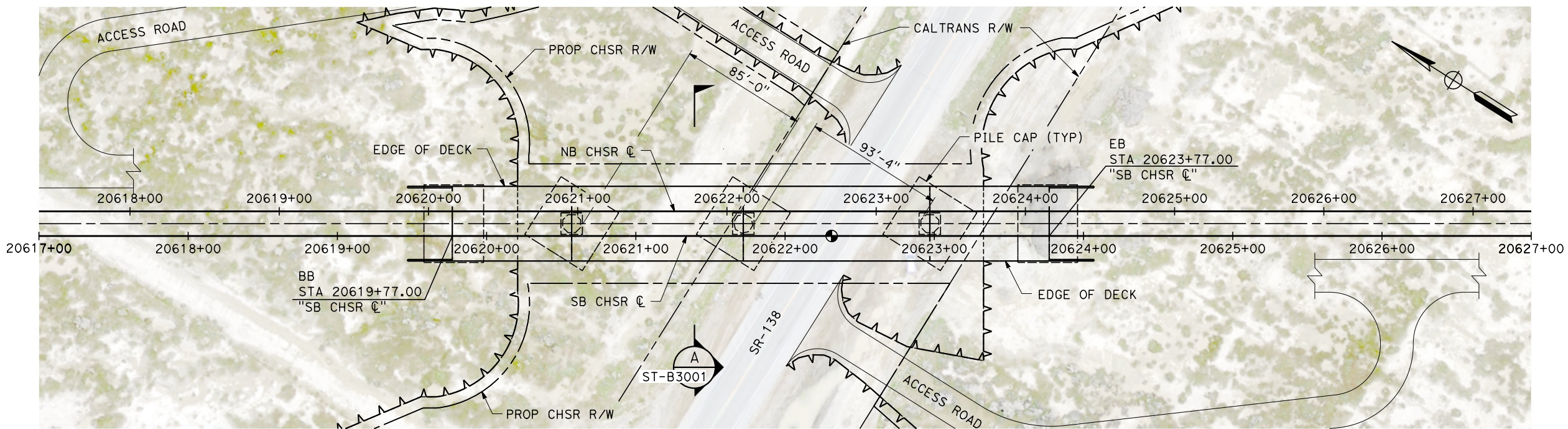
**CALIFORNIA HIGH-SPEED RAIL PROJECT
BAKERSFIELD TO PALMDALE**
ALTERNATIVES 1,2,3,5
TRACK STRUCTURES
30TH STREET - AVENUE C UNDERPASS
PLAN AND ELEVATION

CONTRACT NO.
HSR13-44
DRAWING NO.
ST-J1099
SCALE
AS SHOWN
SHEET NO.

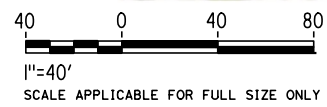
Projects\701206_00_CHSRBP\00_CADD\Sheet_Files\ST\BP-ST-J1100.dgn
10/30/2017 11:22:16 AM TYL\YWang



ELEVATION
SCALE 1" = 40'



PLAN
SCALE 1" = 40'



REV	DATE	BY	CHK	APP	DESCRIPTION

DESIGNED BY
ROBERT BARTON
DRAWN BY
YIHONG WANG
CHECKED BY
R. GOLCHOBIAN
IN CHARGE
STEVE SMITH
DATE
10/31/2017

**RECORD
PEPD
SUBMITTAL**

**NOT FOR
CONSTRUCTION**

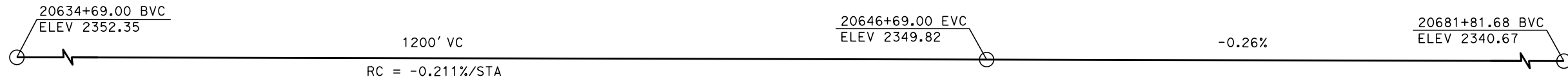
TYLIN INTERNATIONAL



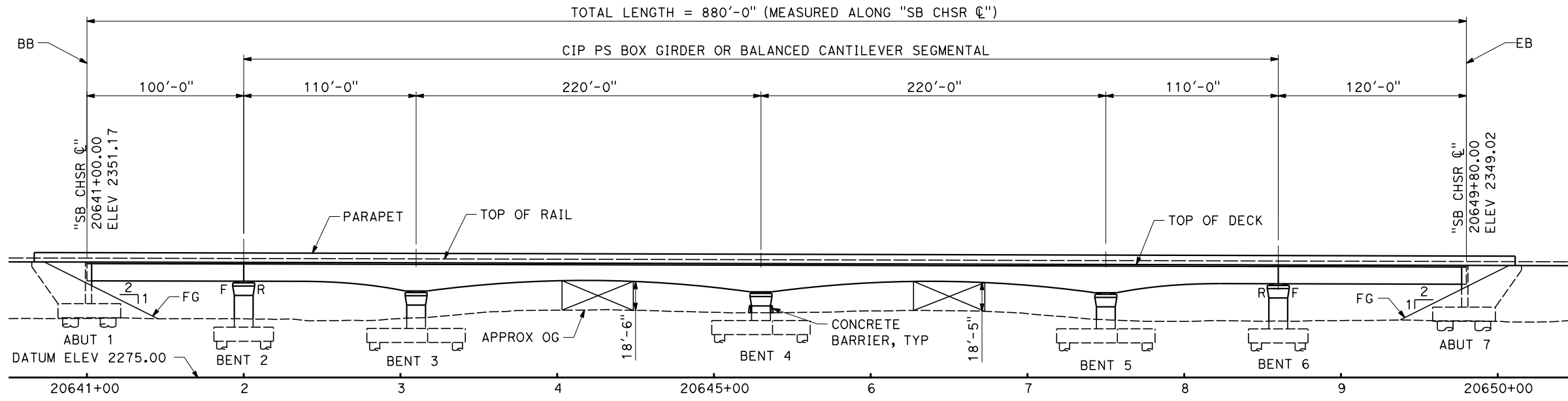
**CALIFORNIA HIGH-SPEED RAIL PROJECT
BAKERSFIELD TO PALMDALE**

ALTERNATIVES 1,2,3,5
TRACK STRUCTURES
SR 138 UNDERPASS
PLAN AND ELEVATION

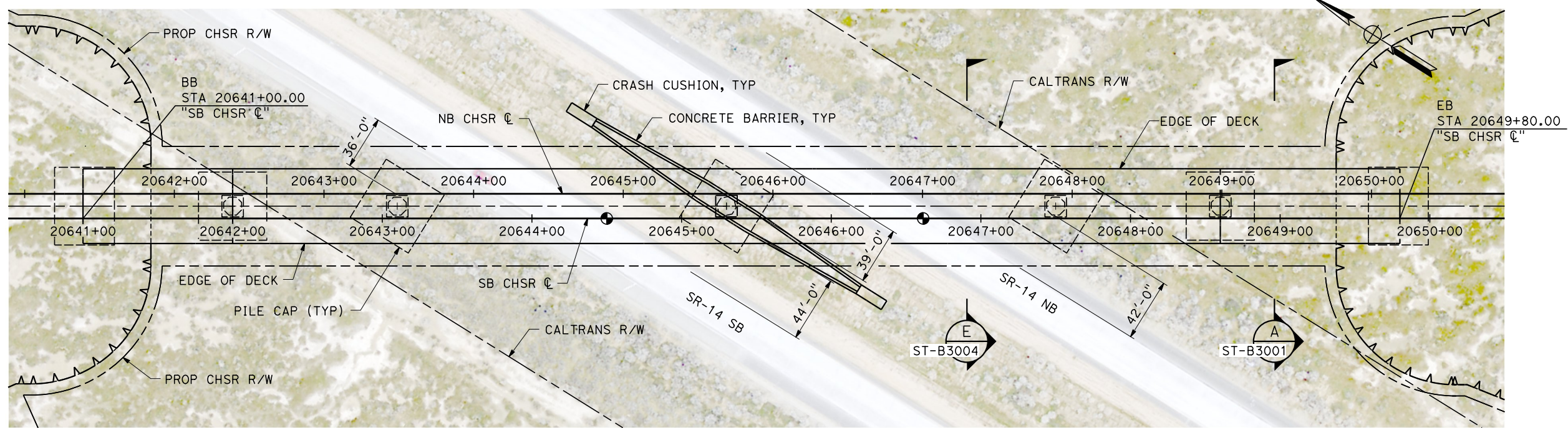
CONTRACT NO.
HSR13-44
DRAWING NO.
ST-J1100
SCALE
AS SHOWN
SHEET NO.



TOP OF RAIL "SB CHSR ☉"
NO SCALE

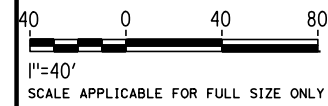


ELEVATION
SCALE 1" = 40'



PLAN
SCALE 1" = 40'

Projects\701206_00_CHSRBP\00_CADD\Sheet_Files\ST\BP-ST-J1101.dgn
11:10:50 AM
10/30/2017
TYLIN\Wang



REV	DATE	BY	CHK	APP	DESCRIPTION

DESIGNED BY
ROBERT BARTON
DRAWN BY
YIHONG WANG
CHECKED BY
R. GOLCHOBIAN
IN CHARGE
STEVE SMITH
DATE
10/31/2017

**RECORD
PEPD
SUBMITTAL**

**NOT FOR
CONSTRUCTION**



CALIFORNIA HIGH-SPEED RAIL PROJECT
BAKERSFIELD TO PALMDALE
ALTERNATIVES 1,2,3,5
TRACK STRUCTURES
SR 14 UNDERPASS
PLAN AND ELEVATION

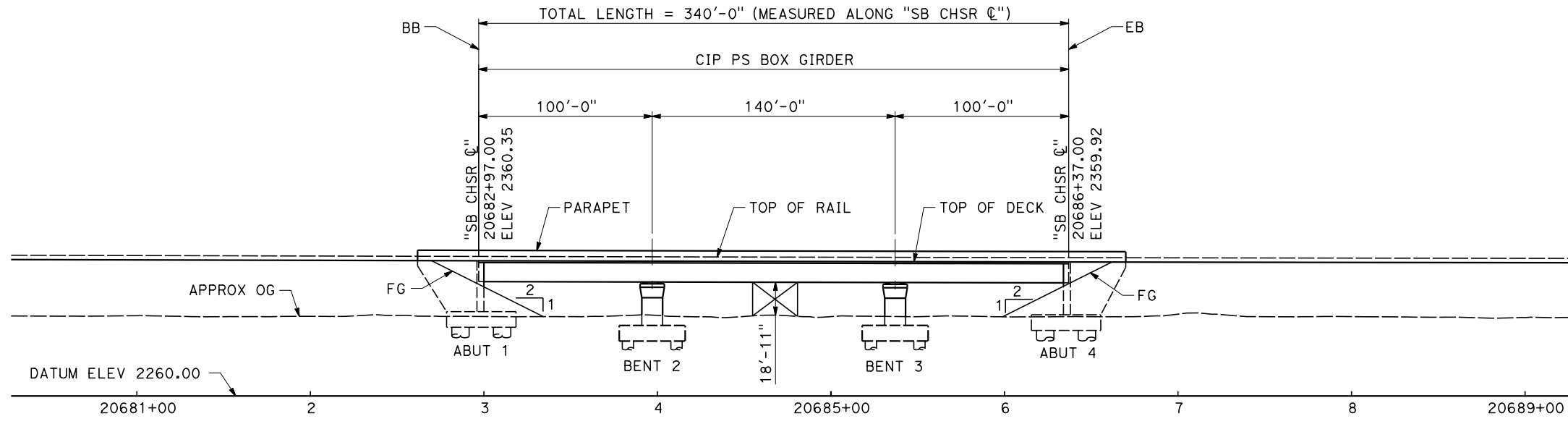
CONTRACT NO.
HSR13-44
DRAWING NO.
ST-J1101
SCALE
AS SHOWN
SHEET NO.

20681+81.68 BVC
ELEV 2340.67

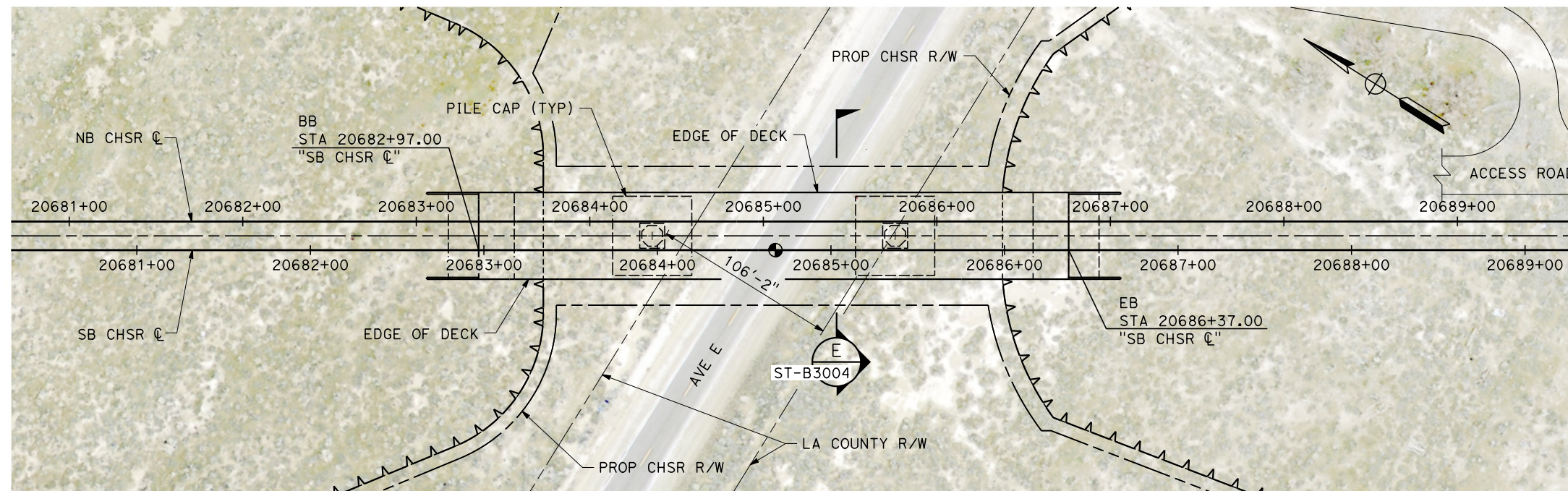
20693+81.68 EVC
ELEV 2338.87

1200'VC
R=0.02/STA

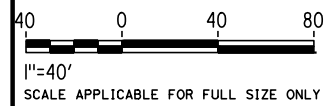
TOP OF RAIL "SB CHSR ☉"
NO SCALE



ELEVATION
SCALE 1"= 40'



PLAN
SCALE 1"= 40'



Projects\701206.00_CHSRBP\00_CADD\Sheet_Files\ST\BP-ST-J1102.dgn
10/30/2017 11:17:19 AM
TYLWang

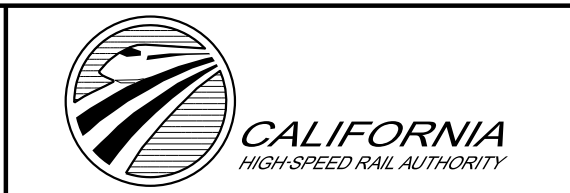
REV	DATE	BY	CHK	APP	DESCRIPTION

DESIGNED BY
ROBERT BARTON
DRAWN BY
YIHONG WANG
CHECKED BY
R. GOLCHOBIAN
IN CHARGE
STEVE SMITH
DATE
10/31/2017

**RECORD
PEPD
SUBMITTAL**

**NOT FOR
CONSTRUCTION**

TYLIN INTERNATIONAL



**CALIFORNIA HIGH-SPEED RAIL PROJECT
BAKERSFIELD TO PALMDALE**

ALTERNATIVES 1,2,3,5
TRACK STRUCTURES
AVENUE E UNDERPASS
PLAN AND ELEVATION

CONTRACT NO.
HSR13-44
DRAWING NO.
ST-J1102
SCALE
AS SHOWN
SHEET NO.

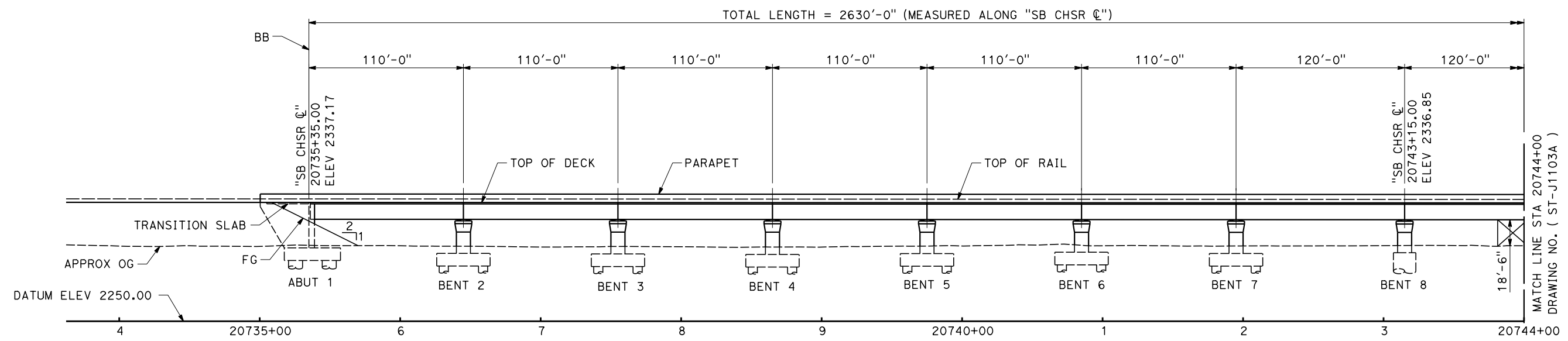
20693+81.68 EVC
ELEV 2338.87

20766+40.75 BVC
ELEV 2335.90

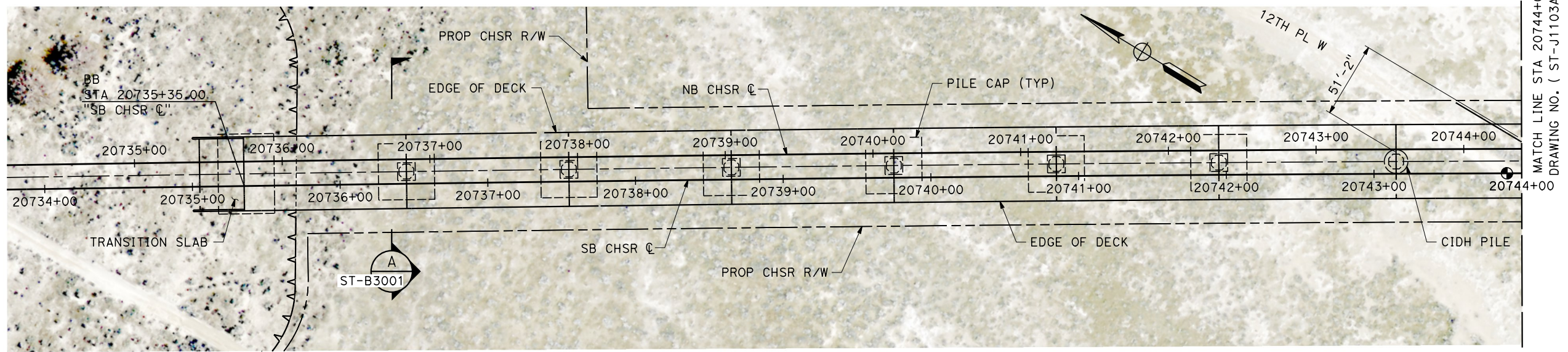
-0.04%

TOP OF RAIL "SB CHSR ☉"

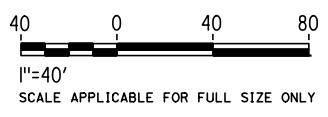
NO SCALE



ELEVATION
SCALE 1" = 40'



PLAN
SCALE 1" = 40'



Projects\701206_00_CHSRBP\00_CADD\Sheet_Files\ST\BP-ST-J1103.dgn
11:26:30 AM
10/30/2017
TYLIN\Wang

REV	DATE	BY	CHK	APP	DESCRIPTION

DESIGNED BY
ROBERT BARTON
DRAWN BY
YIHONG WANG
CHECKED BY
R. GOLCHOBIAN
IN CHARGE
STEVE SMITH
DATE
10/31/2017

**RECORD
PEPD
SUBMITTAL**

**NOT FOR
CONSTRUCTION**

TYLIN INTERNATIONAL



**CALIFORNIA HIGH-SPEED RAIL PROJECT
BAKERSFIELD TO PALMDALE**

ALTERNATIVES 1,2,3
TRACK STRUCTURES
AVENUE F VIADUCT
PLAN AND ELEVATION

CONTRACT NO.
HSR13-44
DRAWING NO.
ST-J1103
SCALE
AS SHOWN
SHEET NO.

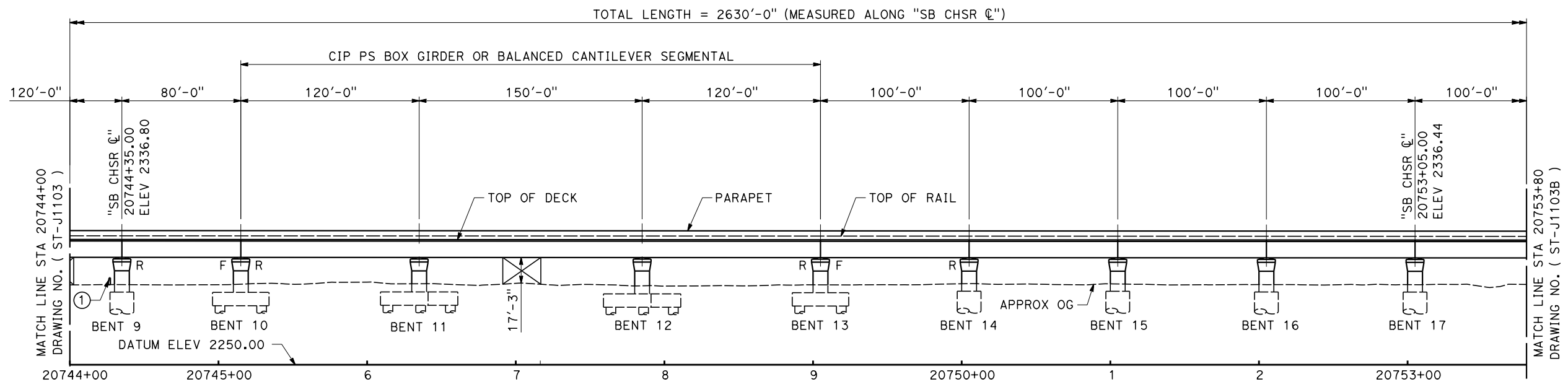
20693+81.68 EVC
ELEV 2338.87

20766+40.75 BVC
ELEV 2335.90

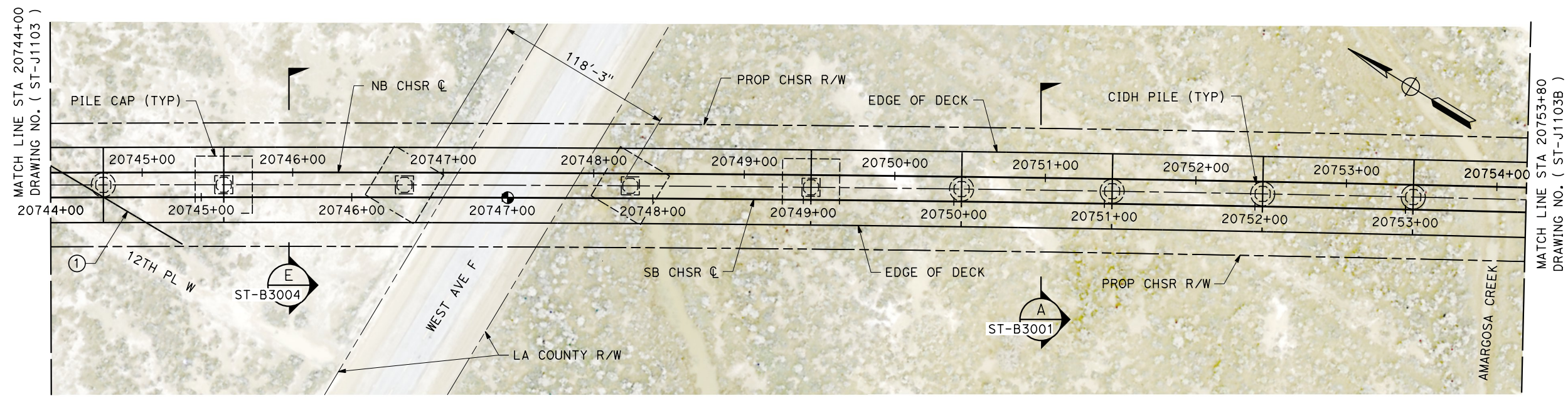
-0.04%

TOP OF RAIL "SB CHSR C"

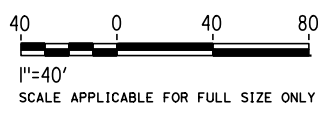
NO SCALE



ELEVATION
SCALE 1" = 40'



PLAN
SCALE 1" = 40'



Projects\701206_00_CHSRBP\00_CADD\Sheet_Files\ST\BP-ST-J1103A.dgn

10/30/2017 11:10:43 AM

TYLIN\Wang

REV	DATE	BY	CHK	APP	DESCRIPTION

DESIGNED BY
ROBERT BARTON

DRAWN BY
YIHONG WANG

CHECKED BY
R. GOLCHOBIAN

IN CHARGE
STEVE SMITH

DATE
10/31/2017

**RECORD
PEPD
SUBMITTAL**

**NOT FOR
CONSTRUCTION**



**CALIFORNIA HIGH-SPEED RAIL PROJECT
BAKERSFIELD TO PALMDALE**

ALTERNATIVES 1,2,3
TRACK STRUCTURES
AVENUE F VIADUCT
PLAN AND ELEVATION

CONTRACT NO.
HSR13-44

DRAWING NO.
ST-J1103A

SCALE
AS SHOWN

SHEET NO.

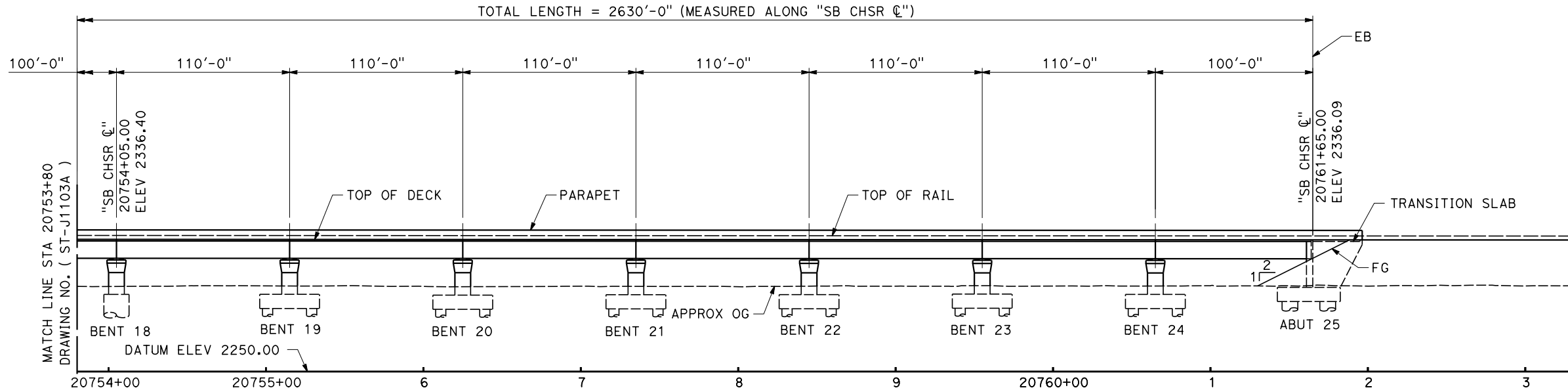
20693+81.68 EVC
ELEV 2338.87

-0.04%

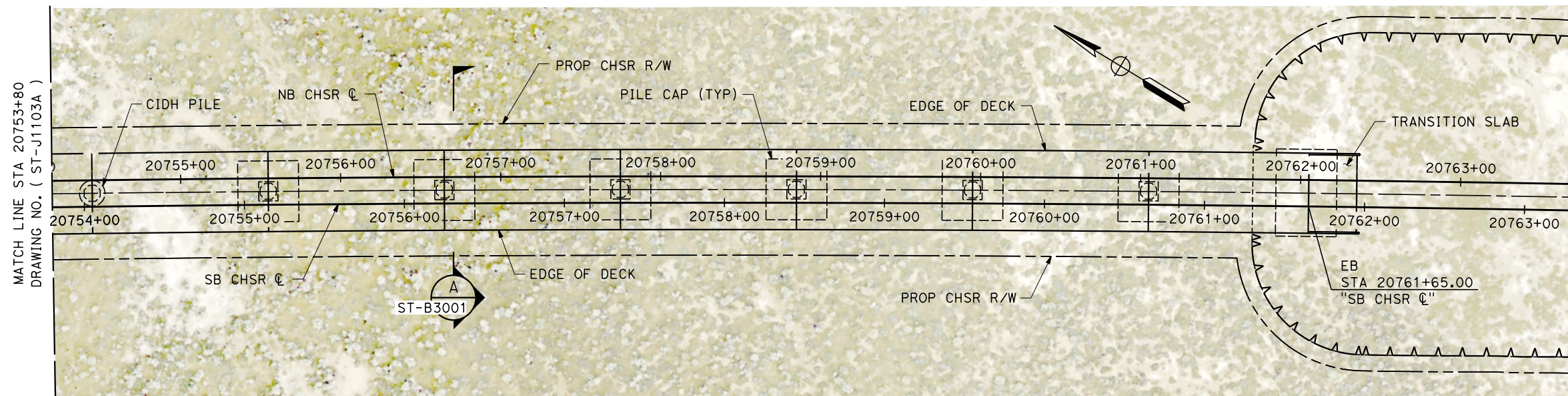
20766+40.75 BVC
ELEV 2335.90

TOP OF RAIL "SB CHSR ☐"

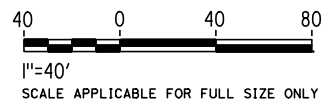
NO SCALE



ELEVATION
SCALE 1" = 40'



PLAN
SCALE 1" = 40'



Projects\701206_00_CHSRBP\00_CADD\Sheet_Files\ST\BP-ST-J1103B.dgn

10/30/2017 11:23:31 AM

TYLIN\Wang

REV	DATE	BY	CHK	APP	DESCRIPTION

DESIGNED BY
ROBERT BARTON
DRAWN BY
YIHONG WANG
CHECKED BY
R. GOLCHOBIAN
IN CHARGE
STEVE SMITH
DATE
10/31/2017

**RECORD
PEPD
SUBMITTAL**

**NOT FOR
CONSTRUCTION**

TYLIN INTERNATIONAL



**CALIFORNIA HIGH-SPEED RAIL PROJECT
BAKERSFIELD TO PALMDALE**

ALTERNATIVES 1,2,3
TRACK STRUCTURES
AVENUE F VIADUCT
PLAN AND ELEVATION

CONTRACT NO.
HSR13-44

DRAWING NO.
ST-J1103B

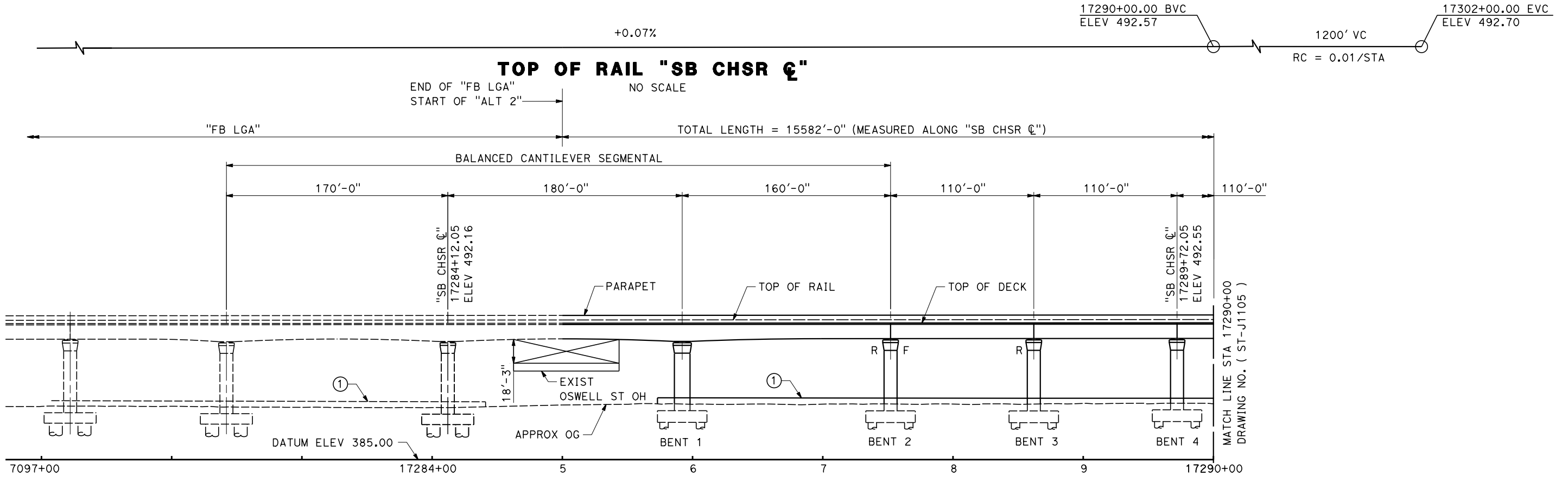
SCALE
AS SHOWN

SHEET NO.

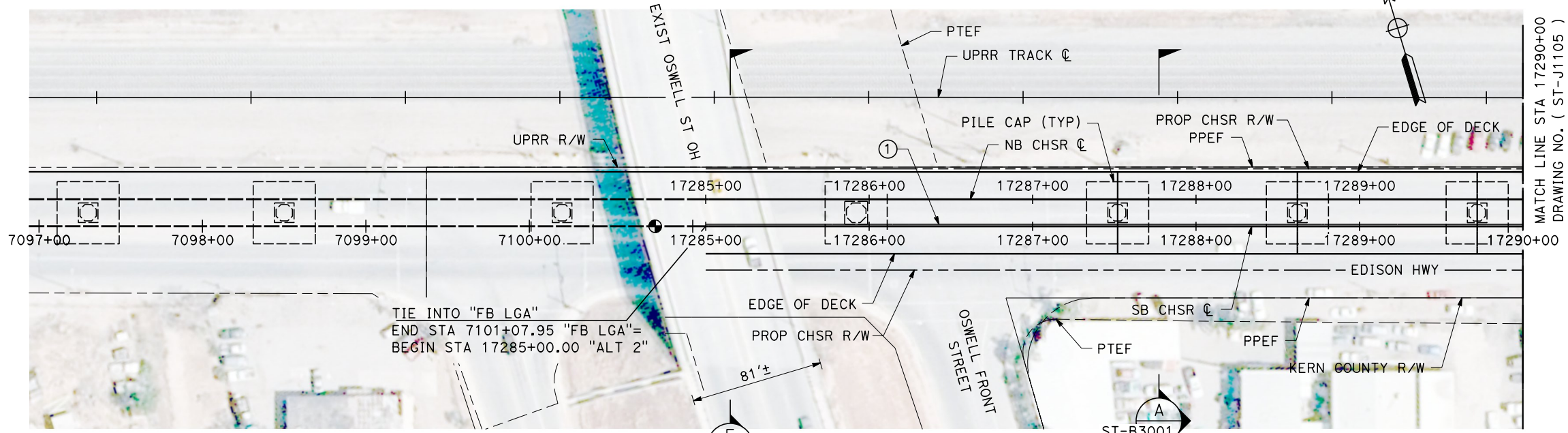
Projects\701206_00_CHSRBP\00_CADD\Sheet_Files\ST\BP-ST-J1104.dgn

10/30/2017 11:26:41 AM

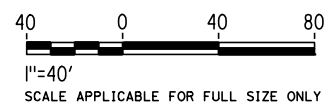
TYLIN\Wang



ELEVATION
 SCALE 1" = 40'



PLAN
 SCALE 1" = 40'



REV	DATE	BY	CHK	APP	DESCRIPTION

DESIGNED BY
ROBERT BARTON
 DRAWN BY
YIHONG WANG
 CHECKED BY
R. GOLCHOBIAN
 IN CHARGE
STEVE SMITH
 DATE
10/31/2017

**RECORD
 PEPD
 SUBMITTAL**

**NOT FOR
 CONSTRUCTION**



**CALIFORNIA HIGH-SPEED RAIL PROJECT
 BAKERSFIELD TO PALMDALE**

ALTERNATIVE 2
 TRACK STRUCTURES
 VIADUCT STATION 17285+00 TO 17440+82.05
 PLAN AND ELEVATION

CONTRACT NO.
HSR 13-44

DRAWING NO.
ST-J1104

SCALE
AS SHOWN

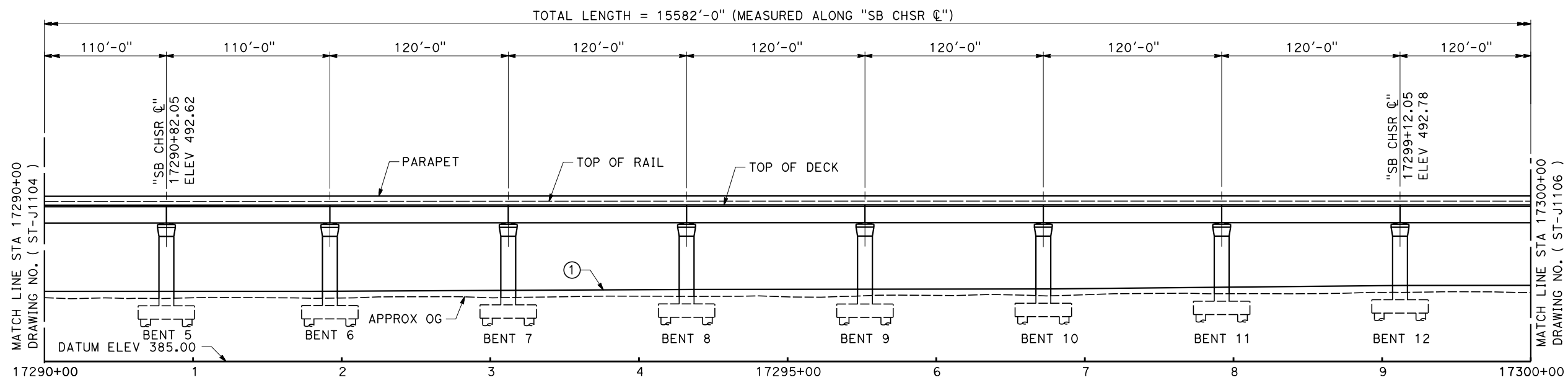
SHEET NO.

0.07% 17302+00.00 EVC
ELEV 492.70

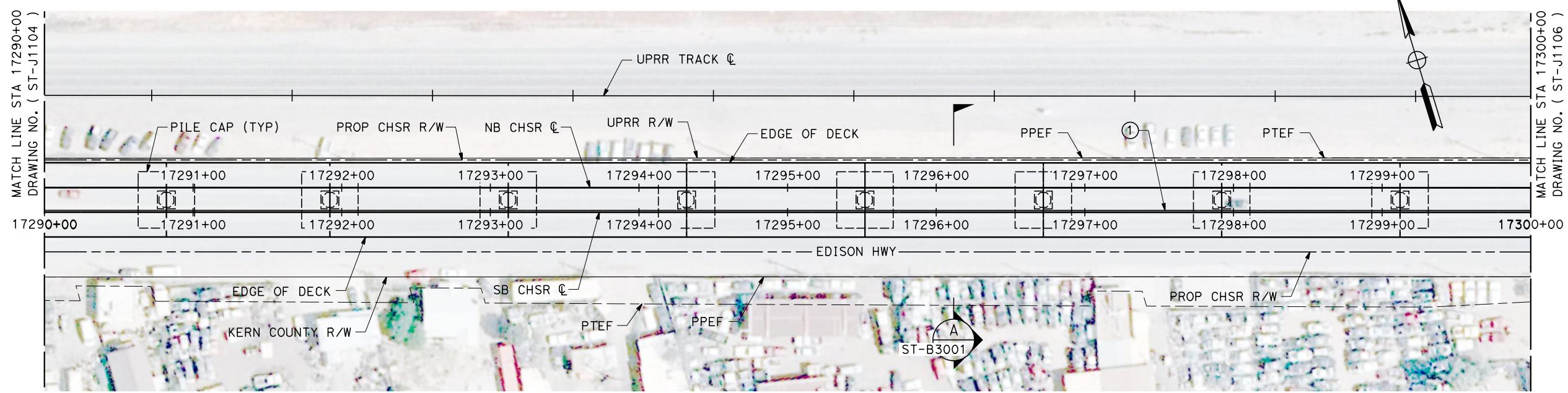
1200' VC
RC = 0.01/STA

TOP OF RAIL "SB CHSR C"
NO SCALE

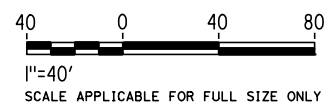
17290+00.00 BVC
ELEV 492.57



ELEVATION
SCALE 1" = 40'



PLAN
SCALE 1" = 40'



Projects\701206_00_CHSRBP\00_CADD\Sheet_Files\ST\BP-ST-J1105.dgn
10/30/2017 11:21:27 AM TYLIN\Y.Wang

REV	DATE	BY	CHK	APP	DESCRIPTION

DESIGNED BY
ROBERT BARTON

DRAWN BY
YIHONG WANG

CHECKED BY
R. GOLCHOOBIAN

IN CHARGE
STEVE SMITH

DATE
10/31/2017

**RECORD
PEPD
SUBMITTAL**

**NOT FOR
CONSTRUCTION**



CALIFORNIA HIGH-SPEED RAIL PROJECT
BAKERSFIELD TO PALMDALE

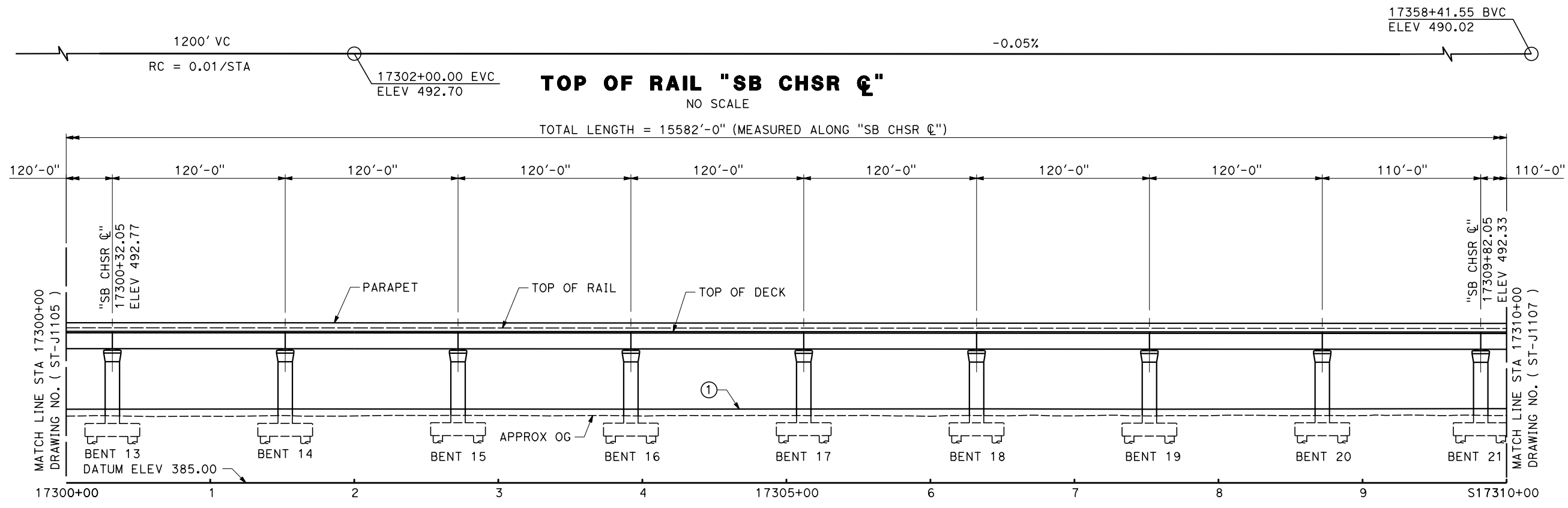
ALTERNATIVE 2
TRACK STRUCTURES
VIADUCT STATION 17285+00 TO 17440+82.05
PLAN AND ELEVATION

CONTRACT NO.
HSR 13-44

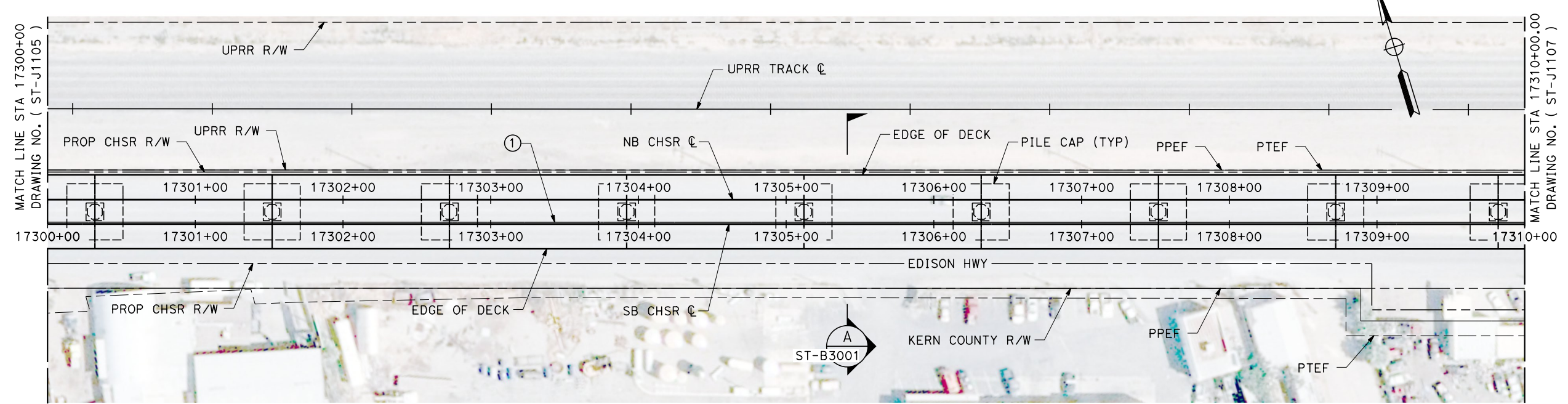
DRAWING NO.
ST-J1105

SCALE
AS SHOWN

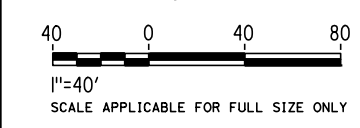
SHEET NO.



ELEVATION
SCALE 1" = 40'



PLAN
SCALE 1" = 40'



Projects\701206_00_CHSRBP\00_CADD\Sheet_Files\ST\BP-ST-J1106.dgn

10/30/2017 11:16:37 AM

TYLIN\Wang

REV	DATE	BY	CHK	APP	DESCRIPTION

DESIGNED BY
ROBERT BARTON

DRAWN BY
YIHONG WANG

CHECKED BY
R. GOLCHOBIAN

IN CHARGE
STEVE SMITH

DATE
10/31/2017

**RECORD
PEPD
SUBMITTAL**

**NOT FOR
CONSTRUCTION**



CALIFORNIA HIGH-SPEED RAIL PROJECT
BAKERSFIELD TO PALMDALE

ALTERNATIVE 2
TRACK STRUCTURES
VIADUCT STATION 17285+00 TO 17440+82.05
PLAN AND ELEVATION

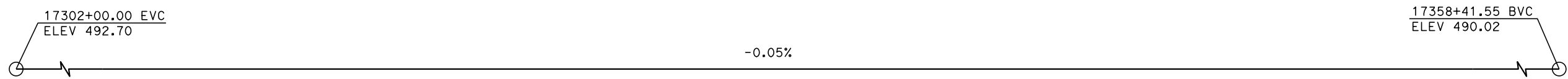
CONTRACT NO.
HSR 13-44

DRAWING NO.
ST-J1106

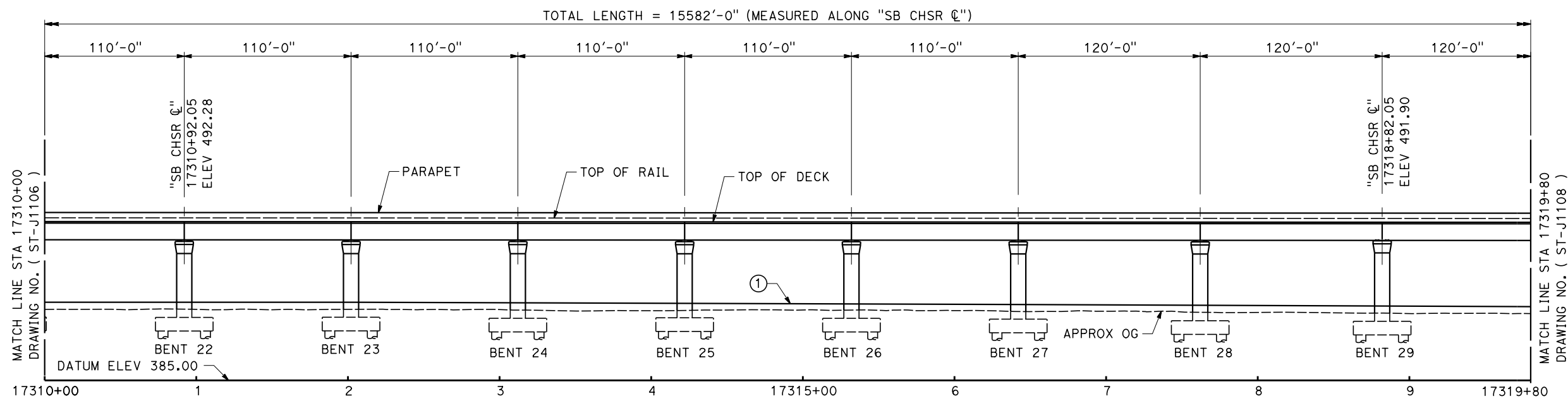
SCALE
AS SHOWN

SHEET NO.

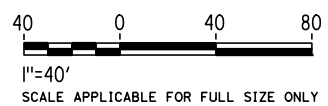
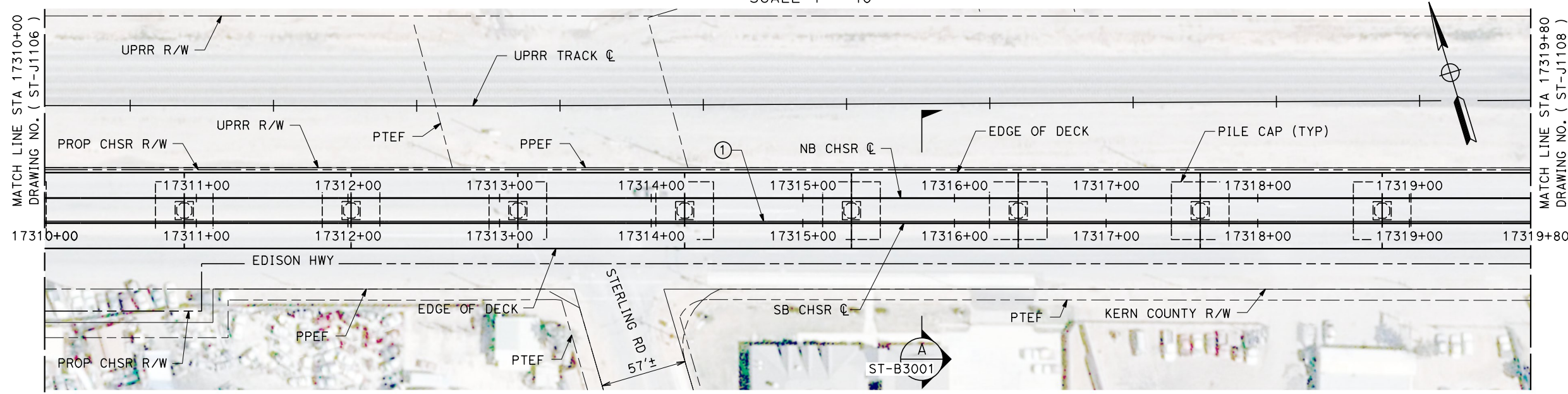
Projects\701206_00_CHSRBP\00_CADD\Sheet_Files\ST\BP-ST-J1107.dgn
11:21:40 AM
10/30/2017
TYLWang



TOP OF RAIL "SB CHSR ☉"
NO SCALE



ELEVATION
SCALE 1" = 40'



PLAN
SCALE 1" = 40'

REV	DATE	BY	CHK	APP	DESCRIPTION

DESIGNED BY
ROBERT BARTON
DRAWN BY
YIHONG WANG
CHECKED BY
R. GOLCHOBIAN
IN CHARGE
STEVE SMITH
DATE
10/31/2017

**RECORD
PEPD
SUBMITTAL**

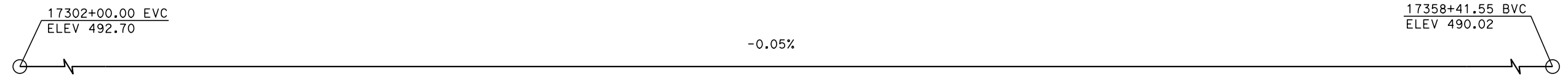
**NOT FOR
CONSTRUCTION**



CALIFORNIA HIGH-SPEED RAIL PROJECT
BAKERSFIELD TO PALMDALE
ALTERNATIVE 2
TRACK STRUCTURES
VIADUCT STATION 17285+00 TO 17440+82.05
PLAN AND ELEVATION

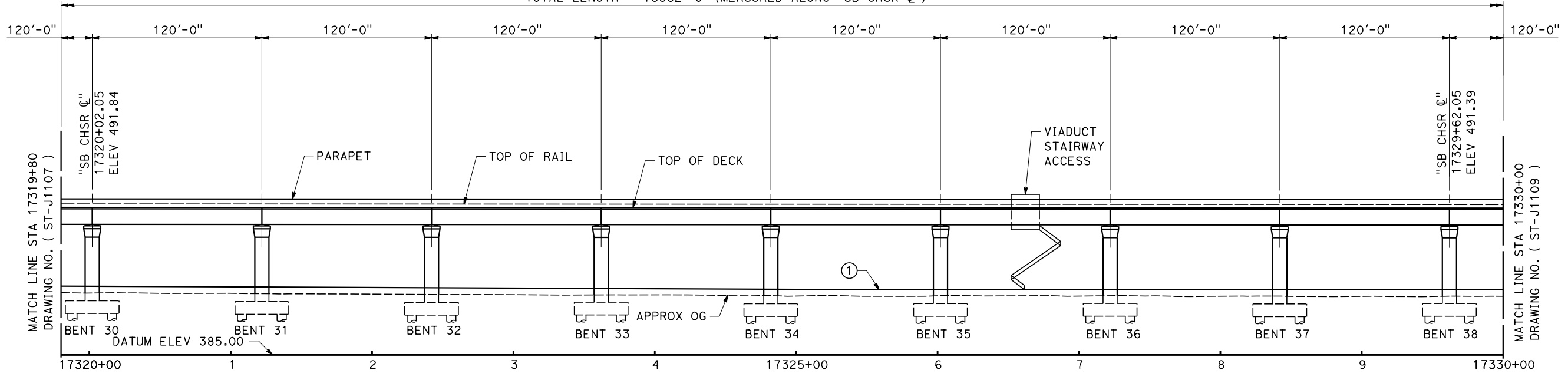
CONTRACT NO.
HSR 13-44
DRAWING NO.
ST-J1107
SCALE
AS SHOWN
SHEET NO.

Projects\701206_00_CHSRBP\00_CADD\Sheet_Files\ST\BP-ST-J1108.dgn
11:26:03 AM
10/30/2017
TYLIN\Wang



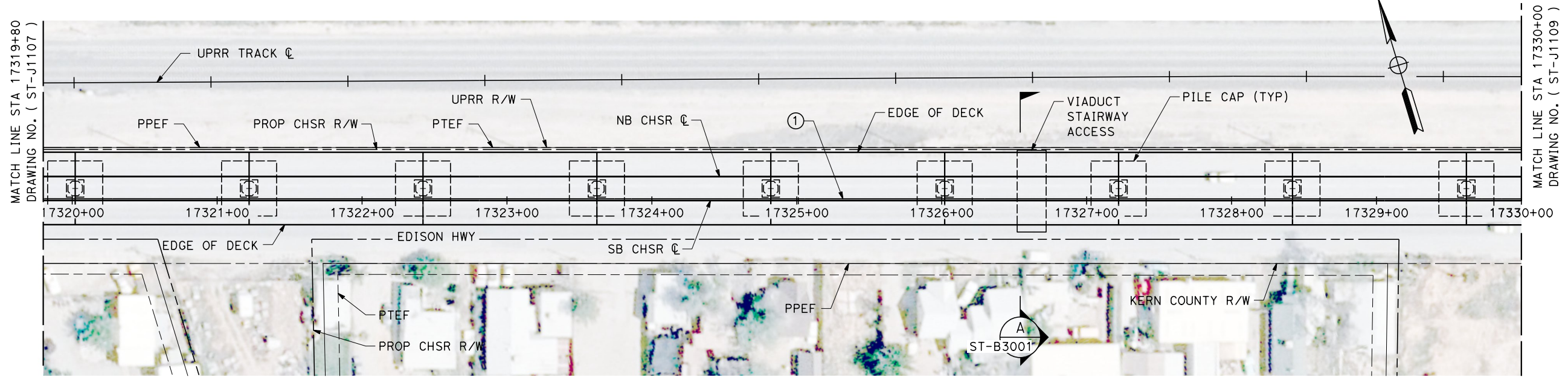
TOP OF RAIL "SB CHSR ☉"
NO SCALE

TOTAL LENGTH = 15582'-0" (MEASURED ALONG "SB CHSR ☉")



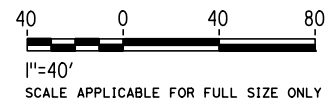
ELEVATION

SCALE 1" = 40'



PLAN

SCALE 1" = 40'



REV	DATE	BY	CHK	APP	DESCRIPTION

DESIGNED BY
ROBERT BARTON
DRAWN BY
YIHONG WANG
CHECKED BY
R. GOLCHOBIAN
IN CHARGE
STEVE SMITH
DATE
10/31/2017

**RECORD
PEPD
SUBMITTAL**

**NOT FOR
CONSTRUCTION**



**CALIFORNIA HIGH-SPEED RAIL PROJECT
BAKERSFIELD TO PALMDALE**

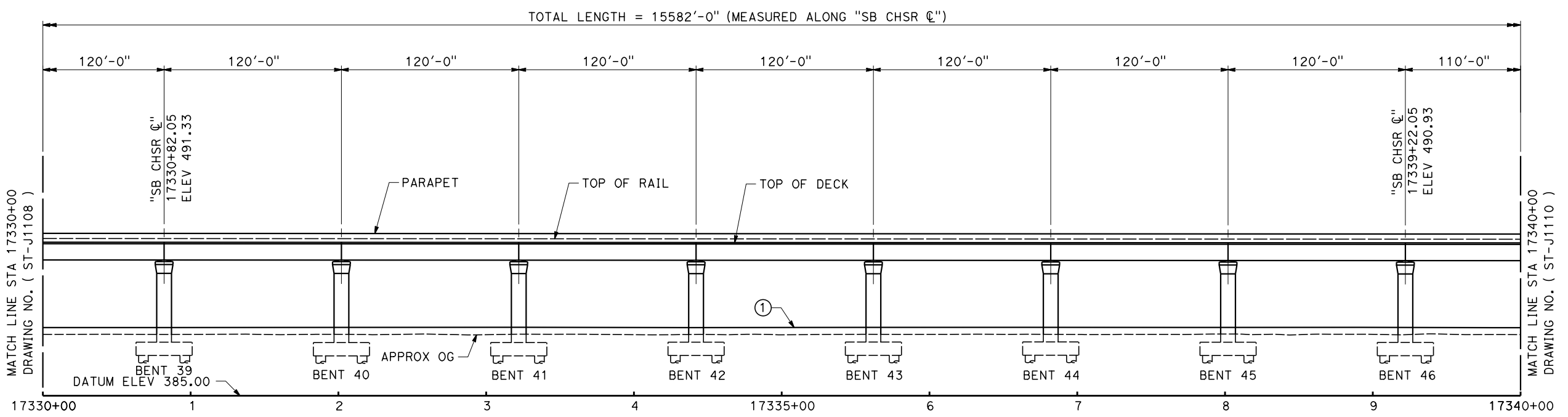
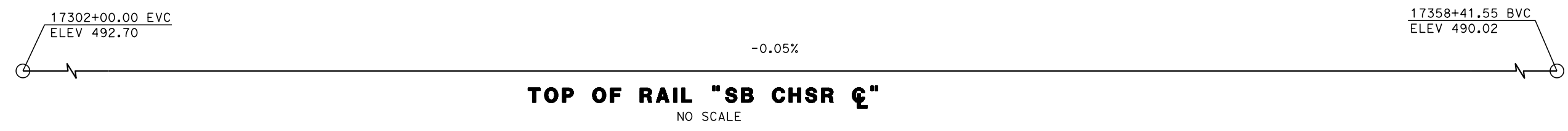
ALTERNATIVE 2
TRACK STRUCTURES
VIADUCT STATION 17285+00 TO 17440+82.05
PLAN AND ELEVATION

CONTRACT NO.
HSR 13-44
DRAWING NO.
ST-J1108
SCALE
AS SHOWN
SHEET NO.

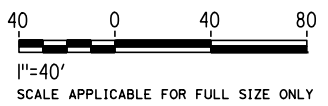
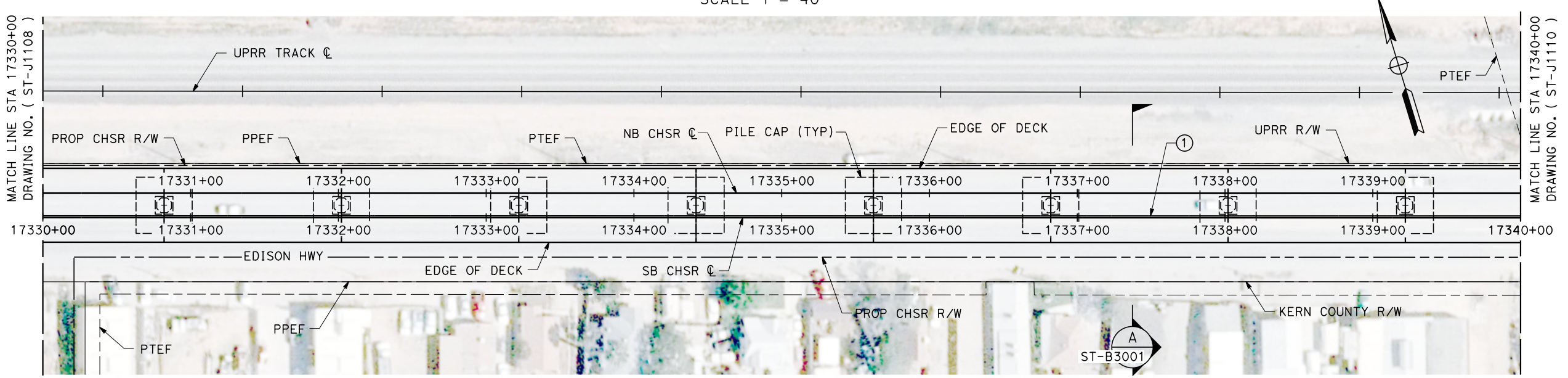
Projects\701206_00_CHSRBP\00_CADD\Sheet_Files\ST\BP-ST-J1109.dgn

11:21:39 AM
10/30/2017

TYLIN\Y.Wang



ELEVATION
SCALE 1" = 40'



PLAN
SCALE 1" = 40'

REV	DATE	BY	CHK	APP	DESCRIPTION

DESIGNED BY
ROBERT BARTON
DRAWN BY
YIHONG WANG
CHECKED BY
R. GOLCHOBIAN
IN CHARGE
STEVE SMITH
DATE
10/31/2017

**RECORD
PEPD
SUBMITTAL**

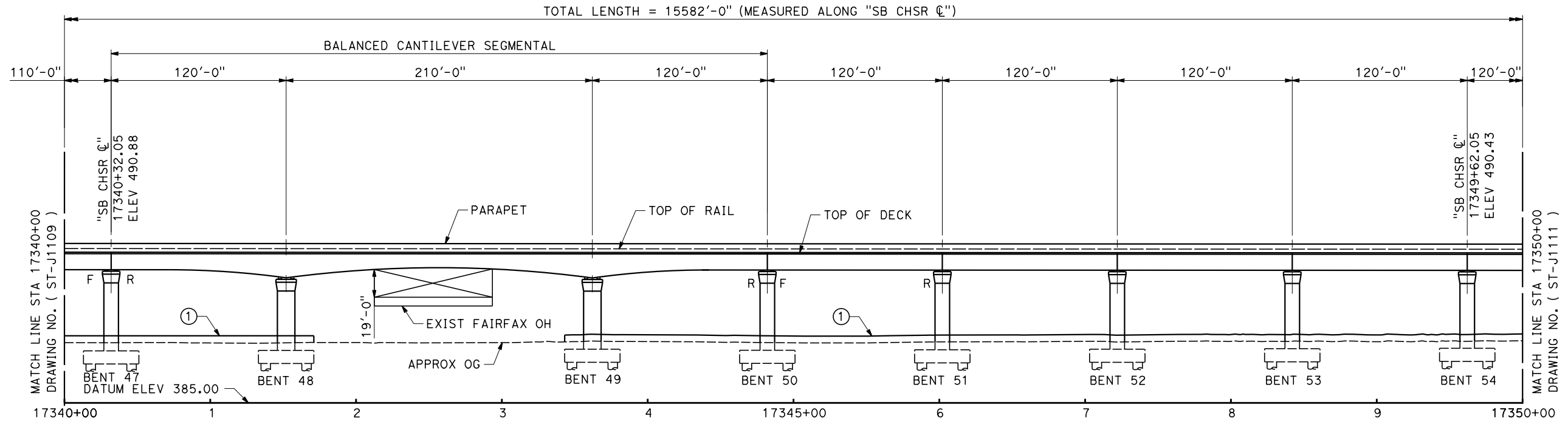
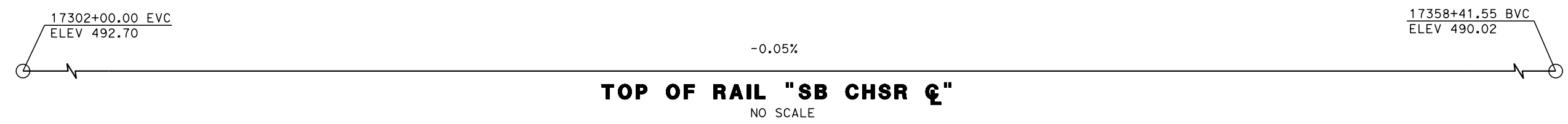
**NOT FOR
CONSTRUCTION**



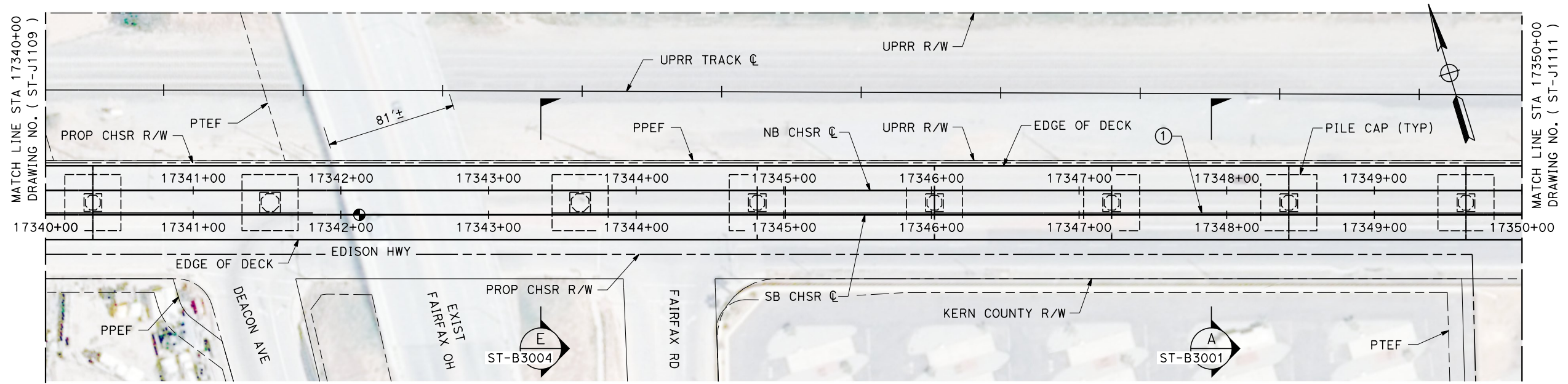
**CALIFORNIA HIGH-SPEED RAIL PROJECT
BAKERSFIELD TO PALMDALE**

ALTERNATIVE 2
TRACK STRUCTURES
VIADUCT STATION 17285+00 TO 17440+82.05
PLAN AND ELEVATION

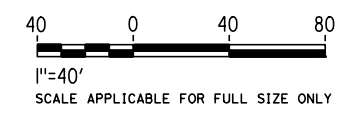
CONTRACT NO.
HSR 13-44
DRAWING NO.
ST-J1109
SCALE
AS SHOWN
SHEET NO.



ELEVATION
SCALE 1" = 40'



PLAN
SCALE 1" = 40'



Projects\701206_00_CHSRBP\00_CADD\Sheet_Files\ST\BP-ST-J1110.dgn
11:19:05 AM
10/30/2017
TYLIN\Wang

REV	DATE	BY	CHK	APP	DESCRIPTION

DESIGNED BY
ROBERT BARTON
DRAWN BY
YIHONG WANG
CHECKED BY
R. GOLCHOBIAN
IN CHARGE
STEVE SMITH
DATE
10/31/2017

**RECORD
PEPD
SUBMITTAL**

**NOT FOR
CONSTRUCTION**



**CALIFORNIA HIGH-SPEED RAIL PROJECT
BAKERSFIELD TO PALMDALE**

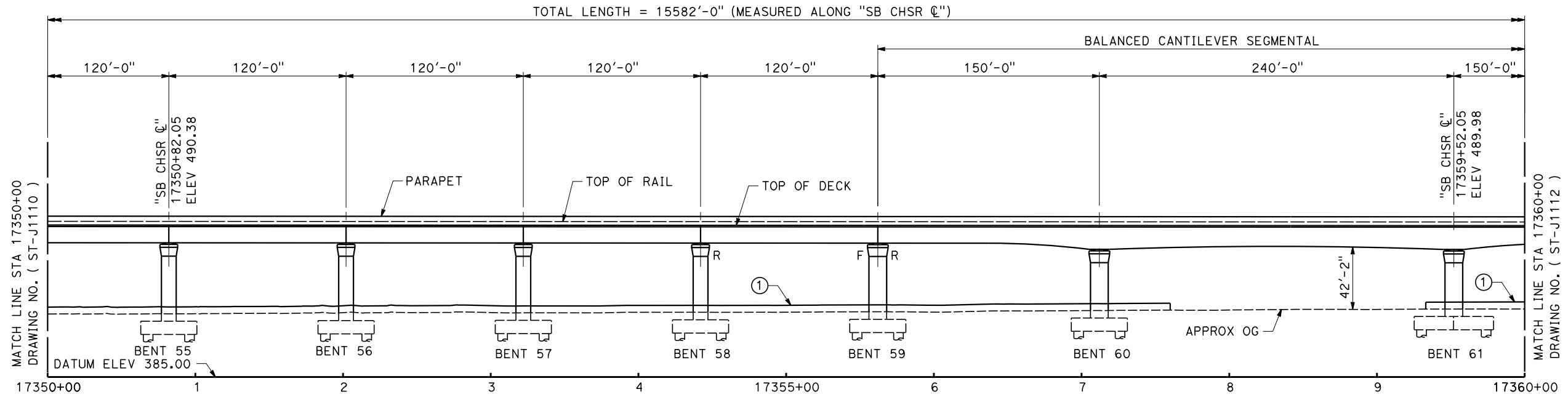
ALTERNATIVE 2
TRACK STRUCTURES
VIADUCT STATION 17285+00 TO 17440+82.05
PLAN AND ELEVATION

CONTRACT NO.
HSR 13-44

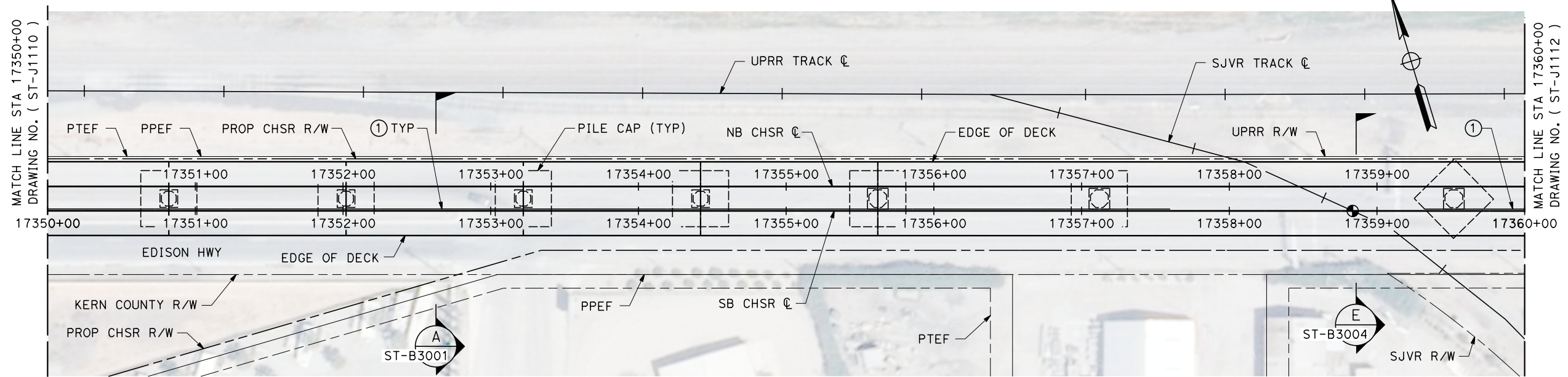
DRAWING NO.
ST-J1110

SCALE
AS SHOWN

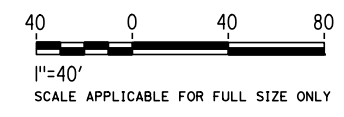
SHEET NO.



ELEVATION
SCALE 1" = 40'



PLAN
SCALE 1" = 40'



Projects\701206_00_CHSRBP\00_CADD\Sheet_Files\ST\BP-ST-J1111.dgn

11:25:30 AM

10/30/2017

TYLIN\Y.Wang

REV	DATE	BY	CHK	APP	DESCRIPTION

DESIGNED BY
ROBERT BARTON
DRAWN BY
YIHONG WANG
CHECKED BY
R. GOLCHOBIAN
IN CHARGE
STEVE SMITH
DATE
10/31/2017

**RECORD
PEPD
SUBMITTAL**

**NOT FOR
CONSTRUCTION**

TYLIN INTERNATIONAL



CALIFORNIA HIGH-SPEED RAIL PROJECT
BAKERSFIELD TO PALMDALE
ALTERNATIVE 2
TRACK STRUCTURES
VIADUCT STATION 17285+00 TO 17440+82.05
PLAN AND ELEVATION

CONTRACT NO.
HSR 13-44

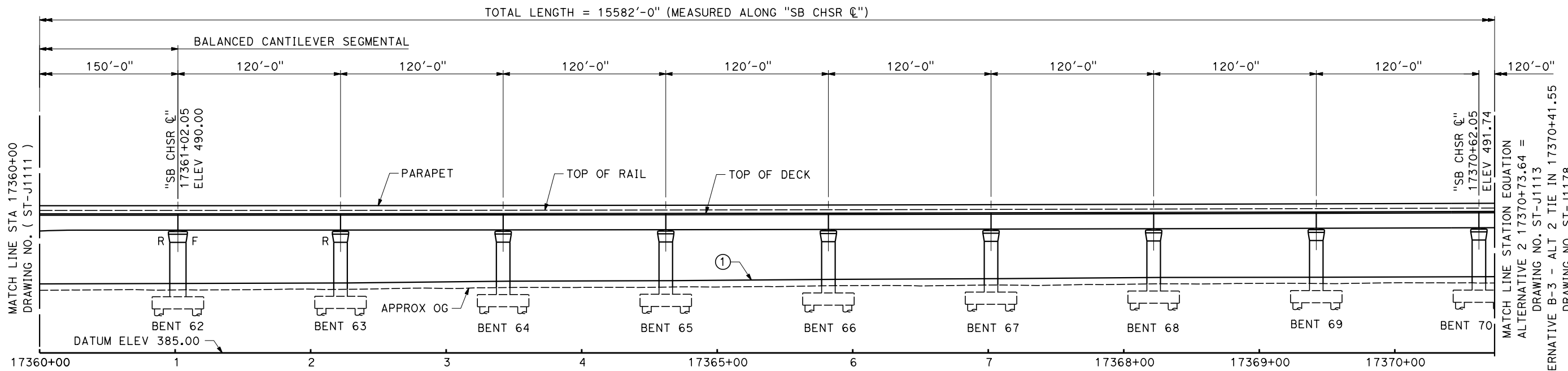
DRAWING NO.
ST-J1111

SCALE
AS SHOWN

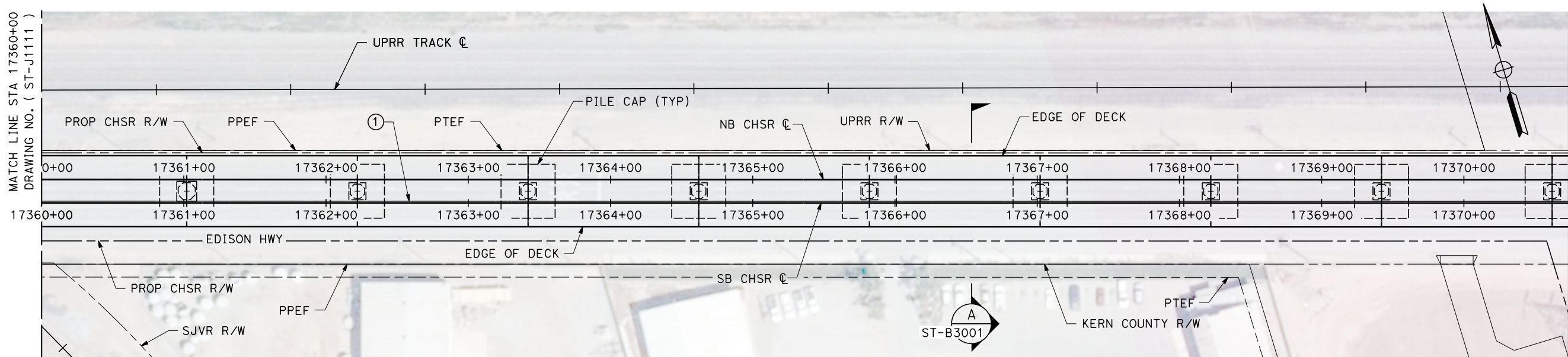
SHEET NO.



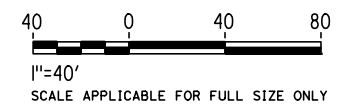
TOP OF RAIL "SB CHSR ☐"
NO SCALE



ELEVATION
SCALE 1" = 40'



PLAN
SCALE 1" = 40'



Projects\701206_00_CHSRBP\00_CADD\Sheet_Files\ST\BP-ST-J1112.dgn

10/30/2017 11:22:37 AM

TYLIN\Wang

MATCH LINE STA 17360+00
DRAWING NO. (ST-J1111)
"SB CHSR ☐"
17361+02.05
ELEV 490.00
PARAPET
TOP OF RAIL
TOP OF DECK
APPROX OG
BENT 62
DATUM ELEV 385.00
BENT 63
BENT 64
BENT 65
BENT 66
BENT 67
BENT 68
BENT 69
BENT 70
MATCH LINE STA 17370+00
DRAWING NO. (ST-J1112)
"SB CHSR ☐"
17370+62.05
ELEV 491.74

MATCH LINE STA 17360+00
DRAWING NO. (ST-J1111)
UPRR TRACK ☐
PROP CHSR R/W
PPEF
PTEF
PILE CAP (TYP)
NB CHSR ☐
UPRR R/W
EDGE OF DECK
17360+00
17361+00
17362+00
17363+00
17364+00
17365+00
17366+00
17367+00
17368+00
17369+00
17370+00
EDISON HWY
EDGE OF DECK
PROP CHSR R/W
SJV R/W
PPEF
SB CHSR ☐
KERN COUNTY R/W
PTEF
ST-B3001
MATCH LINE STA 17370+00
DRAWING NO. (ST-J1112)

MATCH LINE STATION EQUATION
ALTERNATIVE 2 17370+73.64 =
DRAWING NO. ST-J1113
ALTERNATIVE B-3 - ALT 2 TIE IN 17370+41.55
DRAWING NO. ST-J1178

REV	DATE	BY	CHK	APP	DESCRIPTION

DESIGNED BY
ROBERT BARTON
DRAWN BY
YIHONG WANG
CHECKED BY
R. GOLCHOBIAN
IN CHARGE
STEVE SMITH
DATE
10/31/2017

**RECORD
PEPD
SUBMITTAL**

**NOT FOR
CONSTRUCTION**



CALIFORNIA HIGH-SPEED RAIL PROJECT
BAKERSFIELD TO PALMDALE
ALTERNATIVE 2
TRACK STRUCTURES
VIADUCT STATION 17285+00 TO 17440+82.05
PLAN AND ELEVATION

CONTRACT NO.
HSR 13-44
DRAWING NO.
ST-J1112
SCALE
AS SHOWN
SHEET NO.

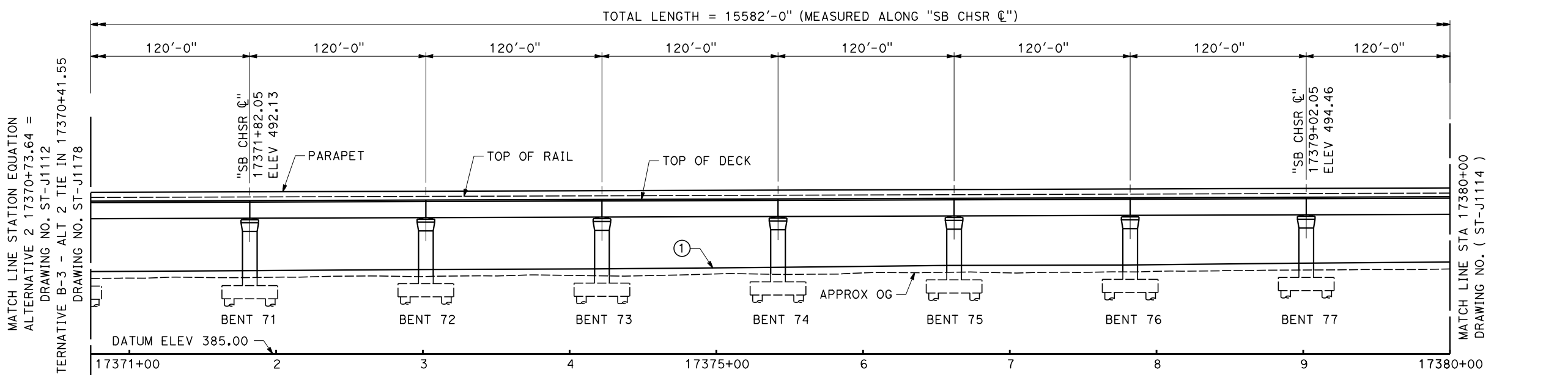
Projects\701206.00_CHSRBP\00_CADD\Sheet_Files\ST\BP-ST-J1113.dgn

10/30/2017 11:16:22 AM

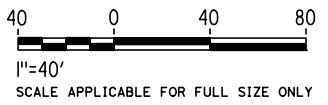
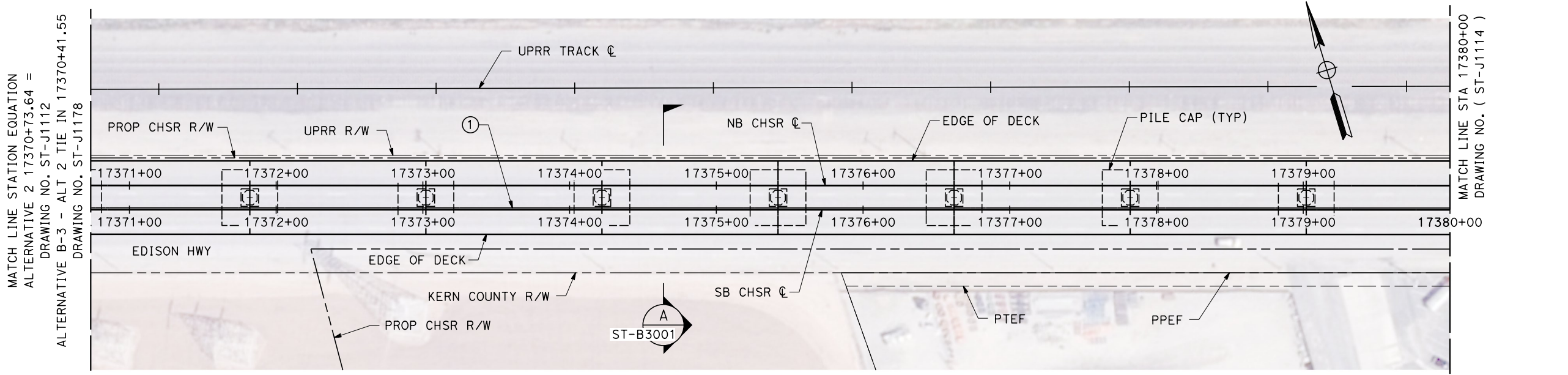
TYLIN\Wang



TOP OF RAIL "SB CHSR ☉"
NO SCALE



ELEVATION
SCALE 1" = 40'



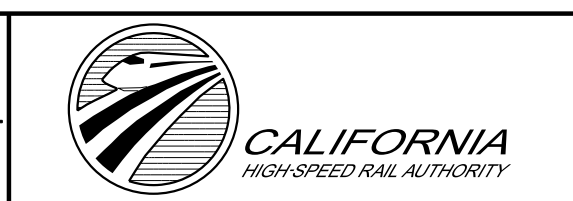
PLAN
SCALE 1" = 40'

REV	DATE	BY	CHK	APP	DESCRIPTION

DESIGNED BY
ROBERT BARTON
DRAWN BY
YIHONG WANG
CHECKED BY
R. GOLCHOBIAN
IN CHARGE
STEVE SMITH
DATE
10/31/2017

**RECORD
PEPD
SUBMITTAL**

**NOT FOR
CONSTRUCTION**



**CALIFORNIA HIGH-SPEED RAIL PROJECT
BAKERSFIELD TO PALMDALE**

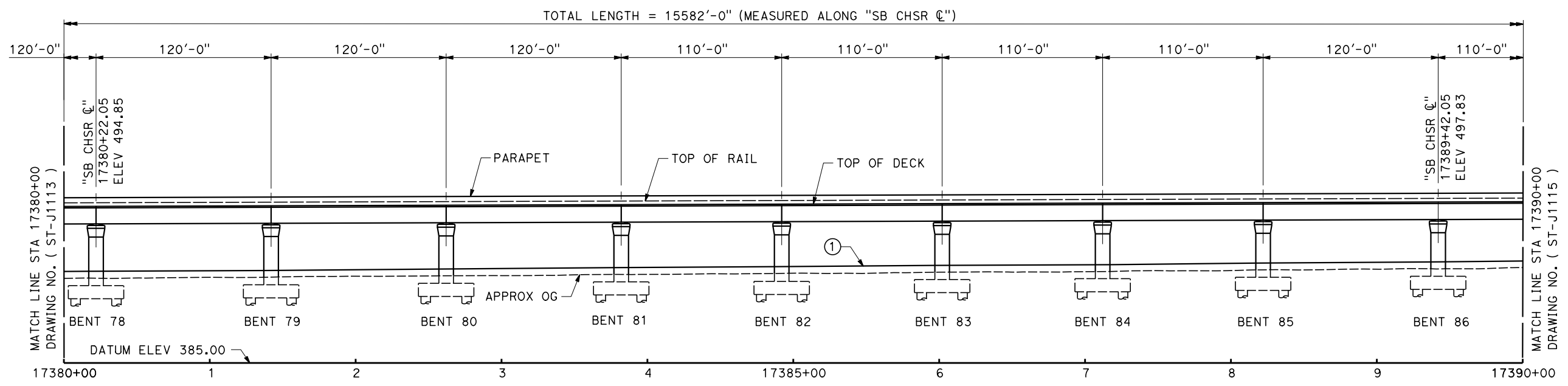
ALTERNATIVE 2
TRACK STRUCTURES
VIADUCT STATION 17285+00 TO 17440+82.05
PLAN AND ELEVATION

CONTRACT NO.
HSR 13-44

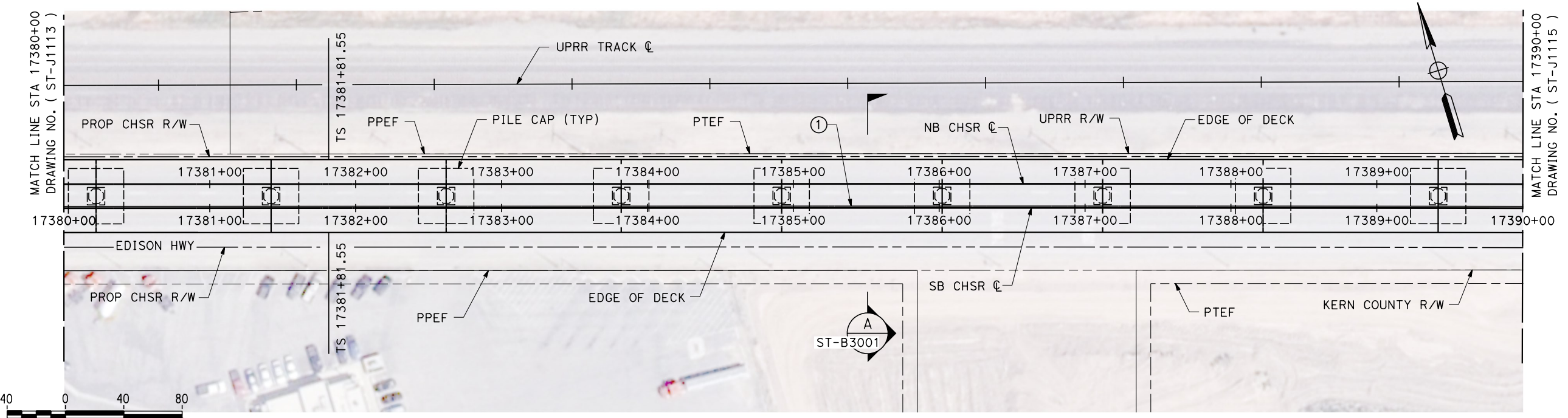
DRAWING NO.
ST-J1113

SCALE
AS SHOWN

SHEET NO.



ELEVATION
SCALE 1" = 40'



1" = 40'
SCALE APPLICABLE FOR FULL SIZE ONLY

PLAN
SCALE 1" = 40'

Projects\701206_00_CHSRBP\00_CADD\Sheet_Files\ST\BP-ST-J1114.dgn
11:15:18 AM
10/30/2017
TYLIN\Wang

REV	DATE	BY	CHK	APP	DESCRIPTION

DESIGNED BY
ROBERT BARTON
DRAWN BY
YIHONG WANG
CHECKED BY
R. GOLCHOBIAN
IN CHARGE
STEVE SMITH
DATE
10/31/2017

**RECORD
PEPD
SUBMITTAL**

**NOT FOR
CONSTRUCTION**



**CALIFORNIA HIGH-SPEED RAIL PROJECT
BAKERSFIELD TO PALMDALE**

ALTERNATIVE 2
TRACK STRUCTURES
VIADUCT STATION 17285+00 TO 17440+82.05
PLAN AND ELEVATION

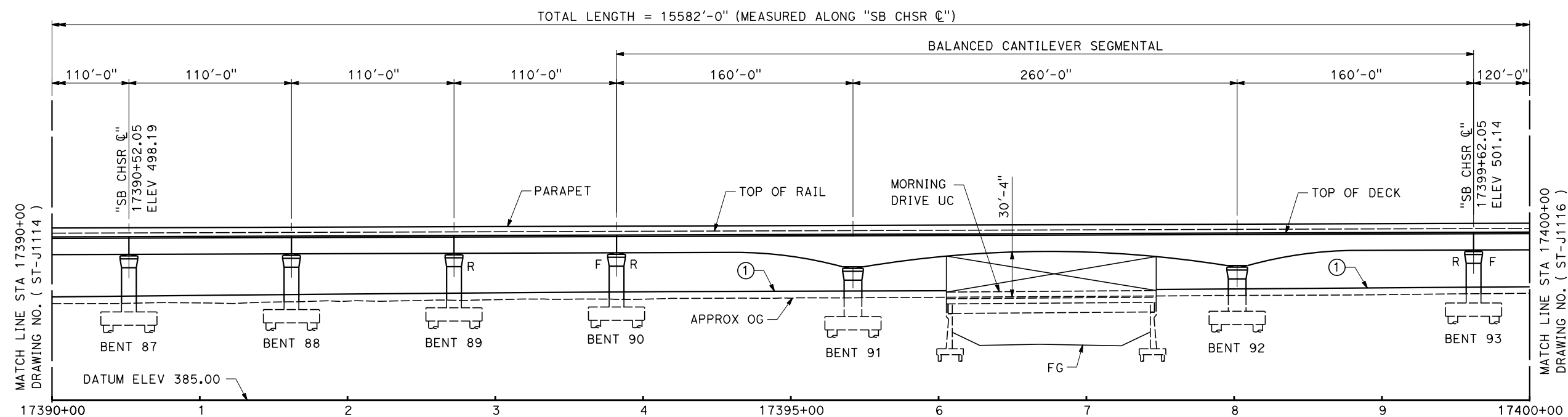
CONTRACT NO.
HSR 13-44

DRAWING NO.
ST-J1114

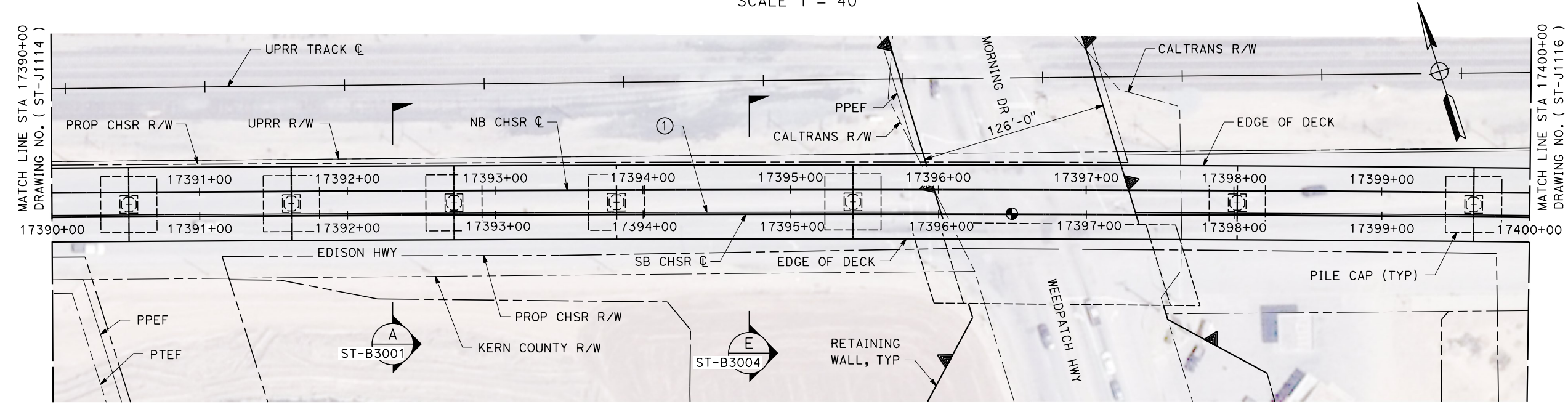
SCALE
AS SHOWN

SHEET NO.

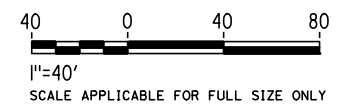
Projects\701206_00_CHSRBP\00_CADD\Sheet_Files\ST\BP-ST-J1115.dgn
11:20:59 AM
10/30/2017
TYLIN\Wang



ELEVATION
SCALE 1" = 40'



PLAN
SCALE 1" = 40'



REV	DATE	BY	CHK	APP	DESCRIPTION

DESIGNED BY
ROBERT BARTON
DRAWN BY
YIHONG WANG
CHECKED BY
R. GOLCHOBIAN
IN CHARGE
STEVE SMITH
DATE
10/31/2017

**RECORD
PEPD
SUBMITTAL**

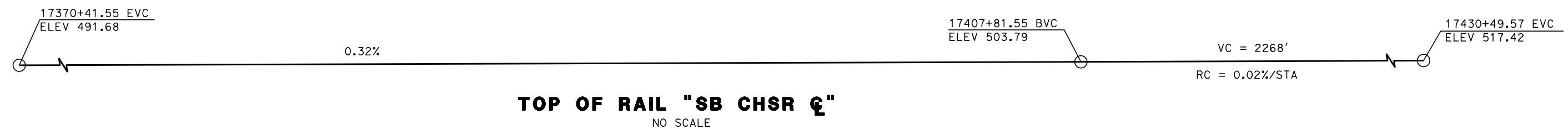
**NOT FOR
CONSTRUCTION**



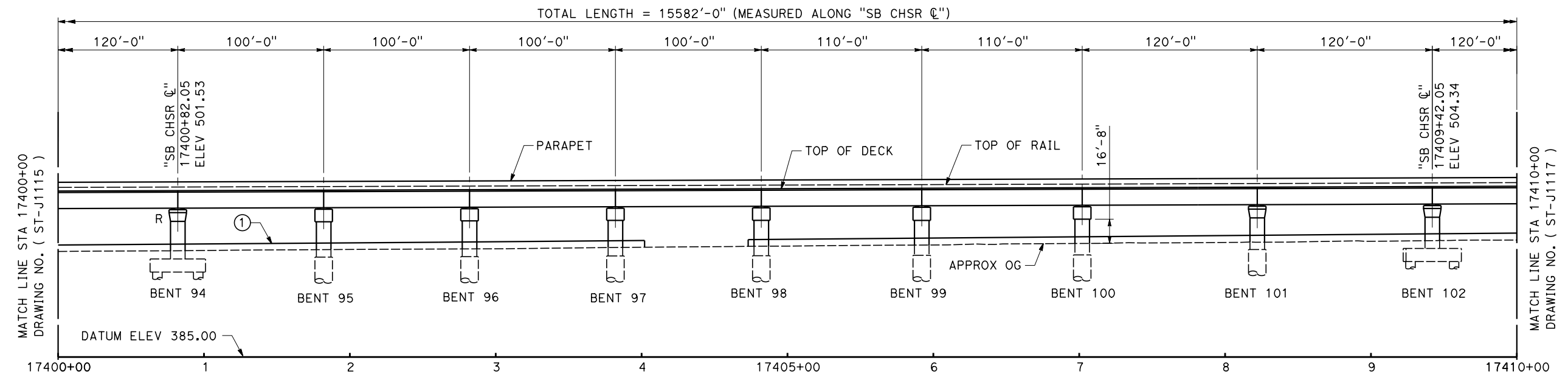
CALIFORNIA HIGH-SPEED RAIL PROJECT
BAKERSFIELD TO PALMDALE
ALTERNATIVE 2
TRACK STRUCTURES
VIADUCT STATION 17285+00 TO 17440+82.05
PLAN AND ELEVATION

CONTRACT NO.
HSR 13-44
DRAWING NO.
ST-J1115
SCALE
AS SHOWN
SHEET NO.

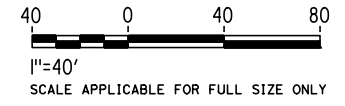
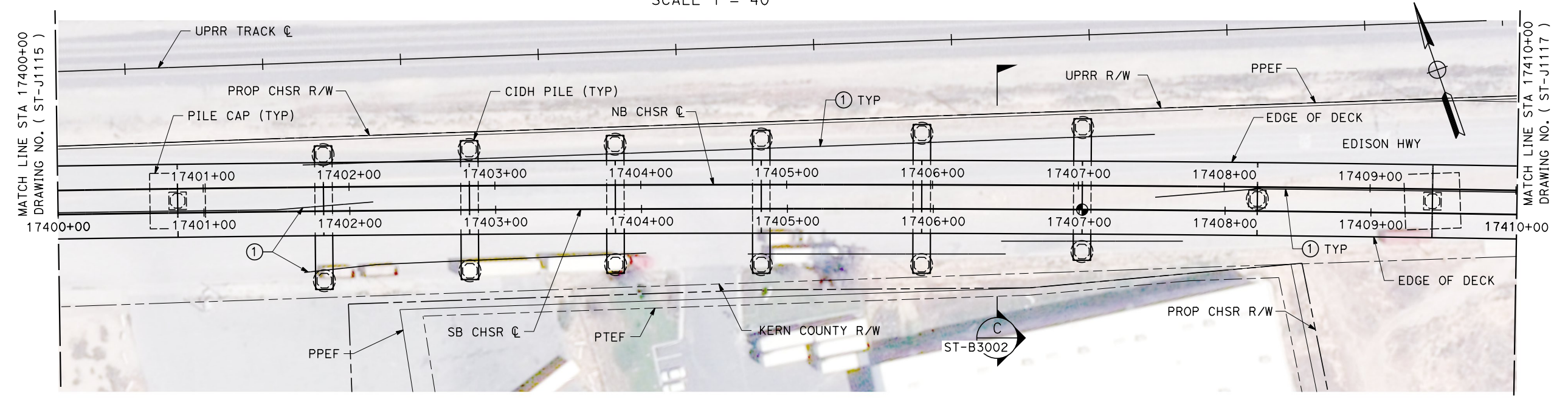
Projects\701206.00_CHSRBP\00_CADD\Sheet_Files\ST\BP-ST-J1116.dgn 11:16:47 AM 10/30/2017 TYLIN\Wang



TOP OF RAIL "SB CHSR C"
NO SCALE



ELEVATION
SCALE 1" = 40'



PLAN
SCALE 1" = 40'

REV	DATE	BY	CHK	APP	DESCRIPTION

DESIGNED BY
ROBERT BARTON
DRAWN BY
YIHONG WANG
CHECKED BY
R. GOLCHOOBIAN
IN CHARGE
STEVE SMITH
DATE
10/31/2017

**RECORD
PEPD
SUBMITTAL**

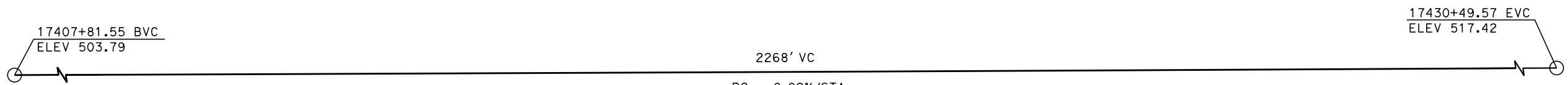
**NOT FOR
CONSTRUCTION**



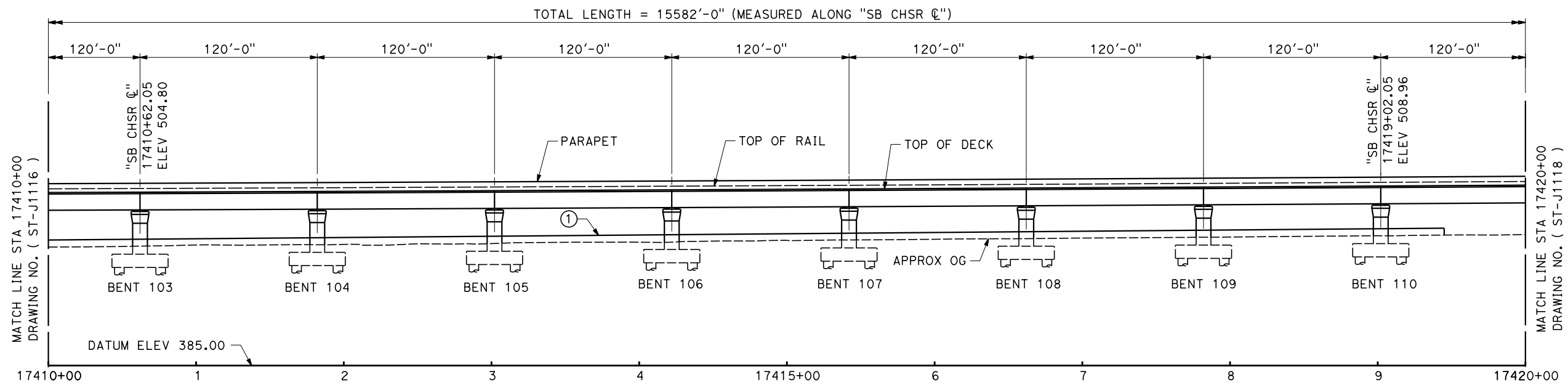
CALIFORNIA HIGH-SPEED RAIL PROJECT
BAKERSFIELD TO PALMDALE
ALTERNATIVE 2
TRACK STRUCTURES
VIADUCT STATION 17285+00 TO 17440+82.05
PLAN AND ELEVATION

CONTRACT NO.
HSR 13-44
DRAWING NO.
ST-J1116
SCALE
AS SHOWN
SHEET NO.

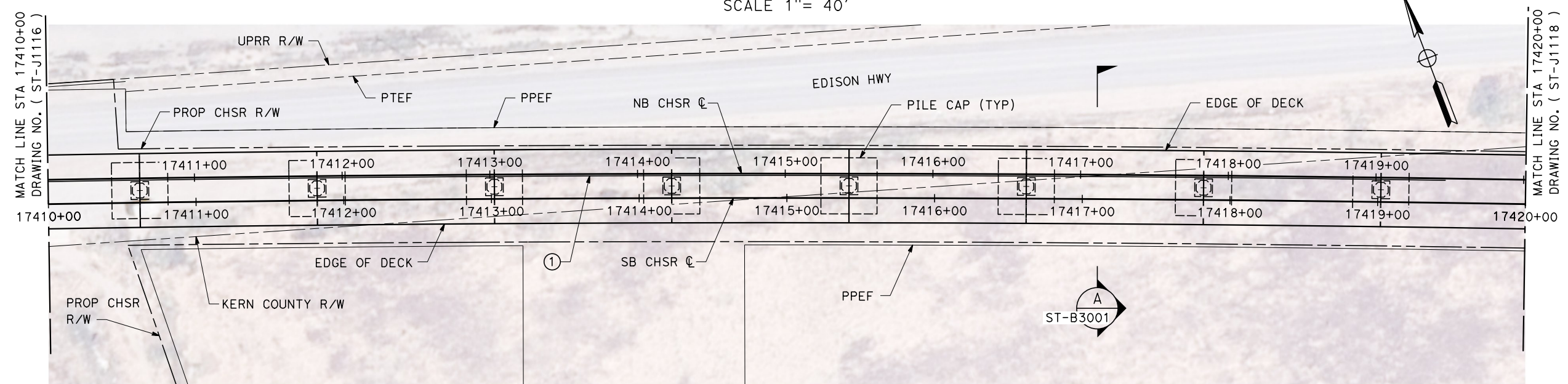
10/30/2017 11:15:15 AM TYLIN\Y.Wang
 Projects\701206_00_CHSRBP\00_CADD\Sheet_Files\ST\BP-ST-J1117.dgn



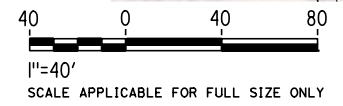
TOP OF RAIL "SB CHSR ☉"
 NO SCALE



ELEVATION
 SCALE 1"= 40'



PLAN
 SCALE 1"= 40'



REV	DATE	BY	CHK	APP	DESCRIPTION

DESIGNED BY
ROBERT BARTON
 DRAWN BY
YIHONG WANG
 CHECKED BY
R. GOLCHOBIAN
 IN CHARGE
STEVE SMITH
 DATE
10/31/2017

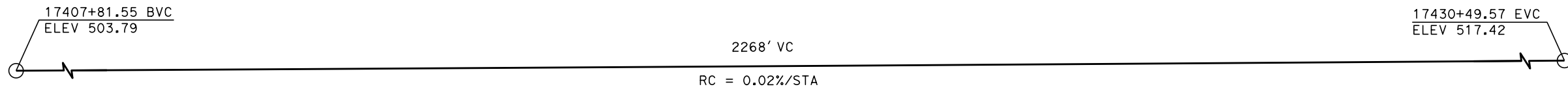
**RECORD
 PECD
 SUBMITTAL**

**NOT FOR
 CONSTRUCTION**

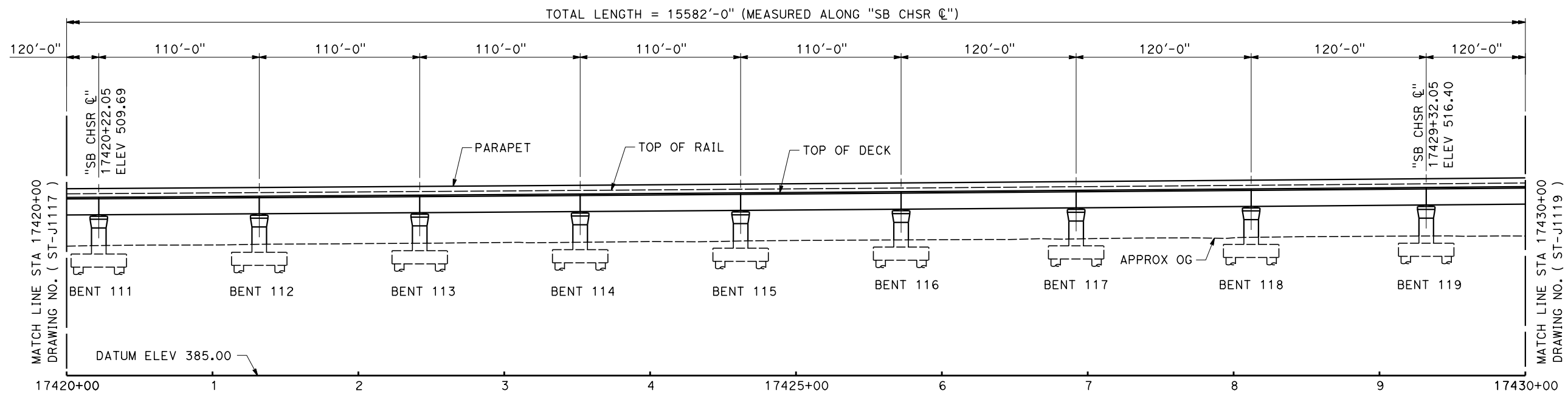


CALIFORNIA HIGH-SPEED RAIL PROJECT
BAKERSFIELD TO PALMDALE
 ALTERNATIVE 2
 TRACK STRUCTURES
 VIADUCT STATION 17285+00 TO 17440+82.05
 PLAN AND ELEVATION

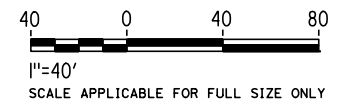
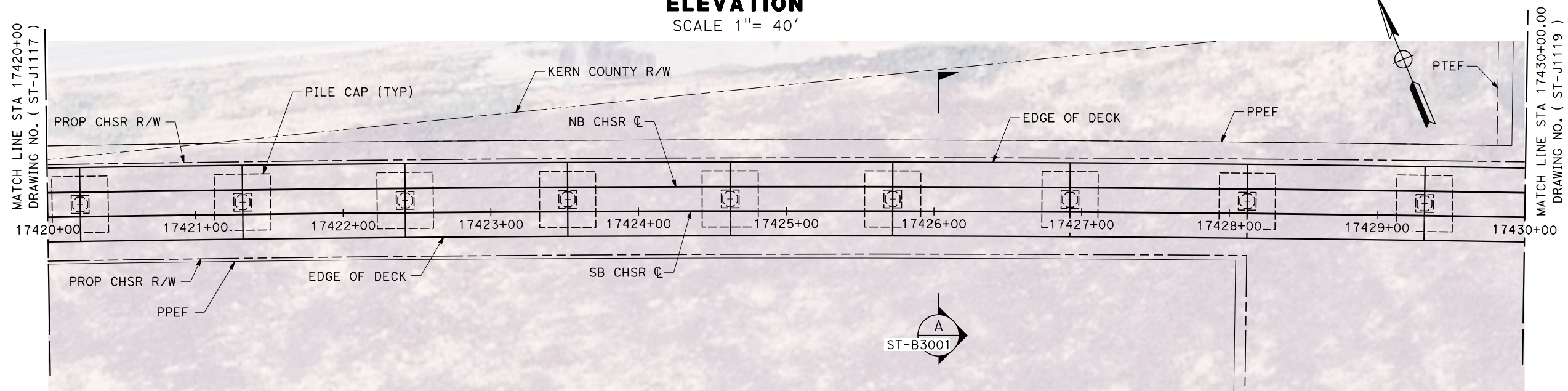
CONTRACT NO.
HSR 13-44
 DRAWING NO.
ST-J1117
 SCALE
AS SHOWN
 SHEET NO.



TOP OF RAIL "SB CHSR ☉"
NO SCALE



ELEVATION
SCALE 1" = 40'



PLAN
SCALE 1" = 40'

Projects\701206_00_CHSRBP\00_CADD\Sheet_Files\ST\BP-ST-J1118.dgn
11:23:54 AM
10/30/2017
TYLIN\Wang

REV	DATE	BY	CHK	APP	DESCRIPTION

DESIGNED BY
ROBERT BARTON
DRAWN BY
YIHONG WANG
CHECKED BY
R. GOLCHOBIAN
IN CHARGE
STEVE SMITH
DATE
10/31/2017

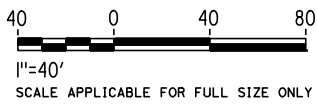
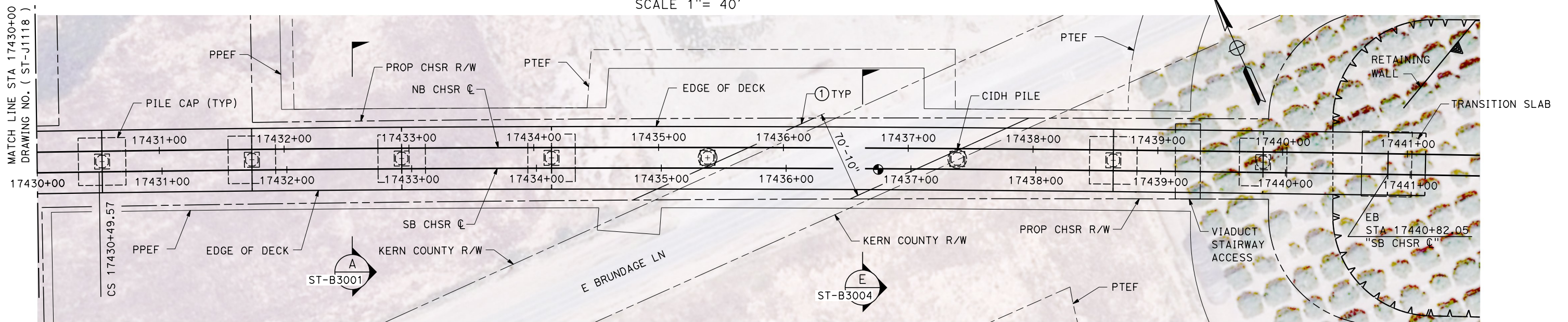
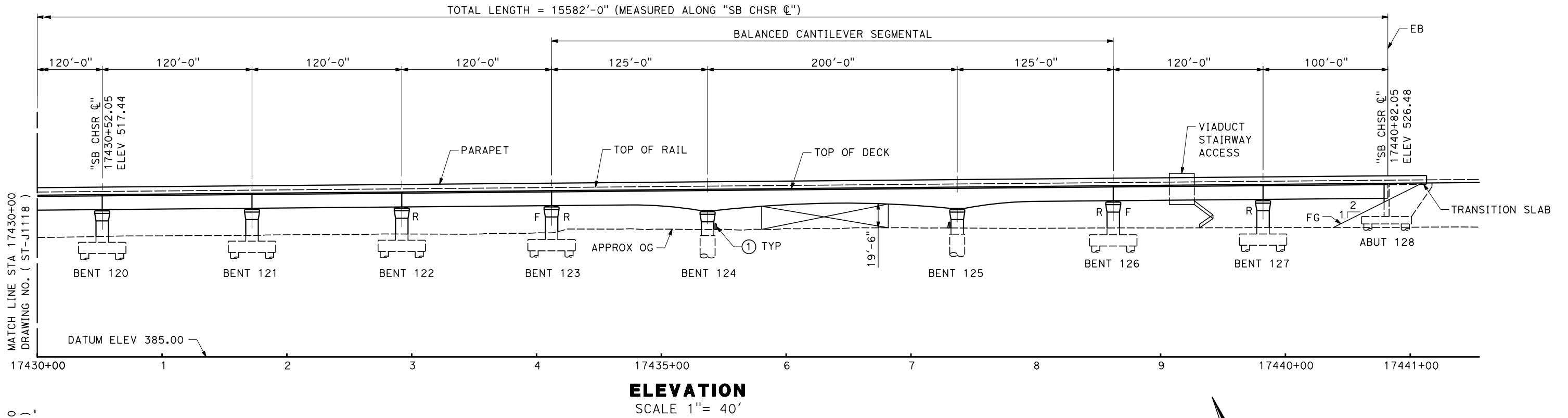
**RECORD
PEPD
SUBMITTAL**

**NOT FOR
CONSTRUCTION**



CALIFORNIA HIGH-SPEED RAIL PROJECT
BAKERSFIELD TO PALMDALE
ALTERNATIVE 2
TRACK STRUCTURES
VIADUCT STATION 17285+00 TO 17440+82.05
PLAN AND ELEVATION

CONTRACT NO.
HSR 13-44
DRAWING NO.
ST-J1118
SCALE
AS SHOWN
SHEET NO.



Projects\701206_00_CHSRBP\00_CADD\Sheet_Files\ST\BP-ST-J1119.dgn
10/30/2017 11:17:00 AM
TYLIN\Wang

DESIGNED BY
ROBERT BARTON
DRAWN BY
YIHONG WANG
CHECKED BY
R. GOLCHOBIAN
IN CHARGE
STEVE SMITH
DATE
10/31/2017

**RECORD
PEPD
SUBMITTAL**

**NOT FOR
CONSTRUCTION**

TYLIN INTERNATIONAL



**CALIFORNIA HIGH-SPEED RAIL PROJECT
BAKERSFIELD TO PALMDALE**

ALTERNATIVE 2
TRACK STRUCTURES
VIADUCT STATION 17285+00 TO 17440+82.05
PLAN AND ELEVATION

CONTRACT NO.
HSR 13-44

DRAWING NO.
ST-J1119

SCALE
AS SHOWN

SHEET NO.

REV	DATE	BY	CHK	APP	DESCRIPTION

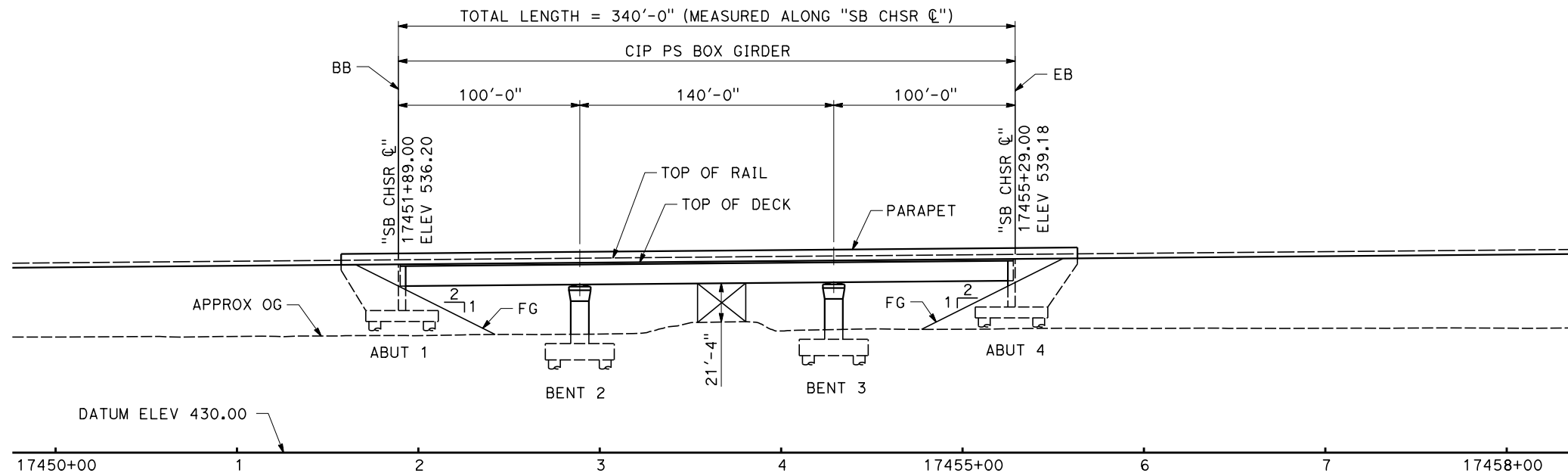
17430+49.57 EVC
ELEV 517.42

0.88%

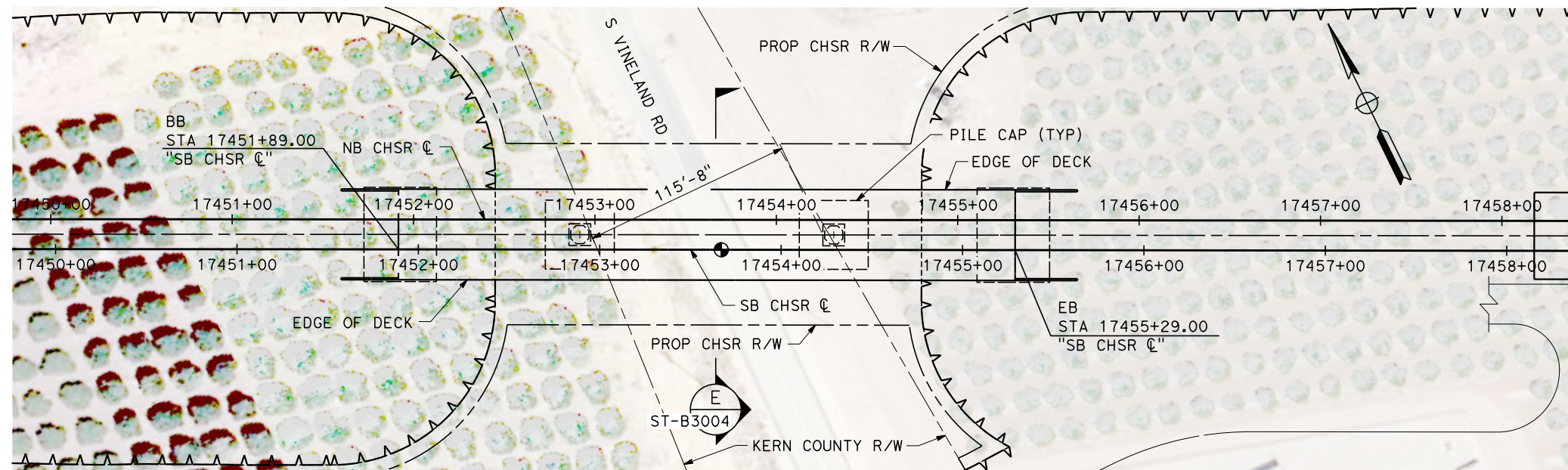
17616+98.46 BVC
ELEV 681.11

TOP OF RAIL "SB CHSR ☉"

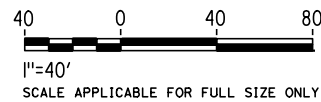
NO SCALE



ELEVATION
SCALE 1" = 40'



PLAN
SCALE 1" = 40'



Projects\701206_00_CHSRBP\00_CADD\Sheet Files\ST\BP-ST-J1120.dgn

10/30/2017 11:15:02 AM

TYLIN\Wang

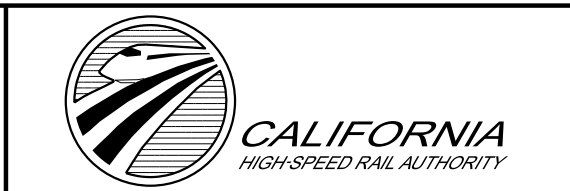
REV	DATE	BY	CHK	APP	DESCRIPTION

DESIGNED BY
ROBERT BARTON
DRAWN BY
YIHONG WANG
CHECKED BY
R. GOLCHOBIAN
IN CHARGE
STEVE SMITH
DATE
10/31/2017

**RECORD
PEPD
SUBMITTAL**

**NOT FOR
CONSTRUCTION**

TYLIN INTERNATIONAL



**CALIFORNIA HIGH-SPEED RAIL PROJECT
BAKERSFIELD TO PALMDALE**

ALTERNATIVE 2
TRACK STRUCTURES
VINELAND ROAD UNDERPASS
PLAN AND ELEVATION

CONTRACT NO.
HSR 13-44
DRAWING NO.
ST-J1120
SCALE
AS SHOWN
SHEET NO.

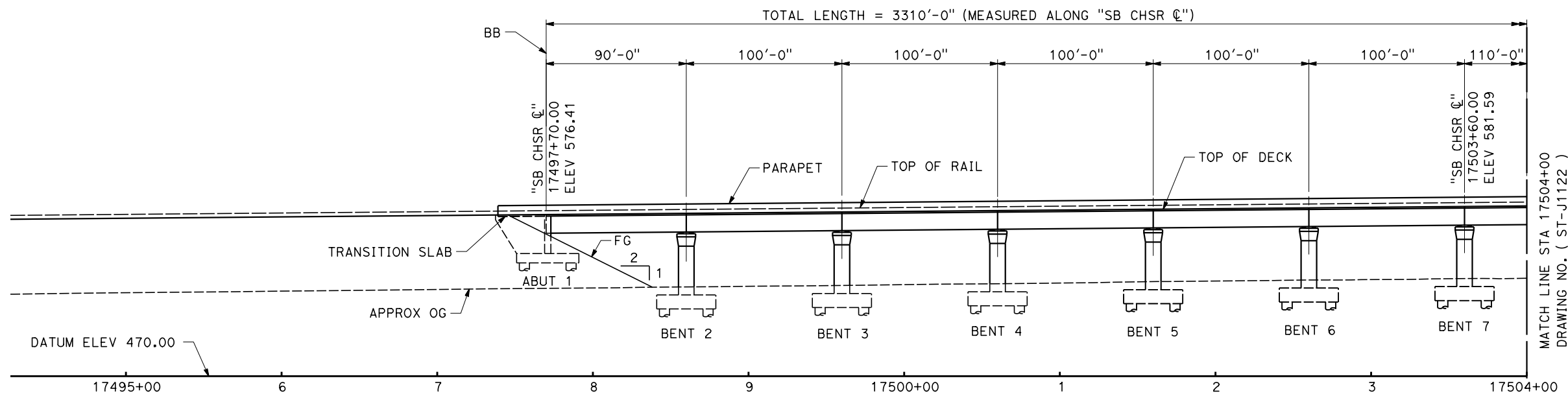
17430+49.57 EVC
ELEV 517.42

0.88%

17616+98.46 BVC
ELEV 681.11

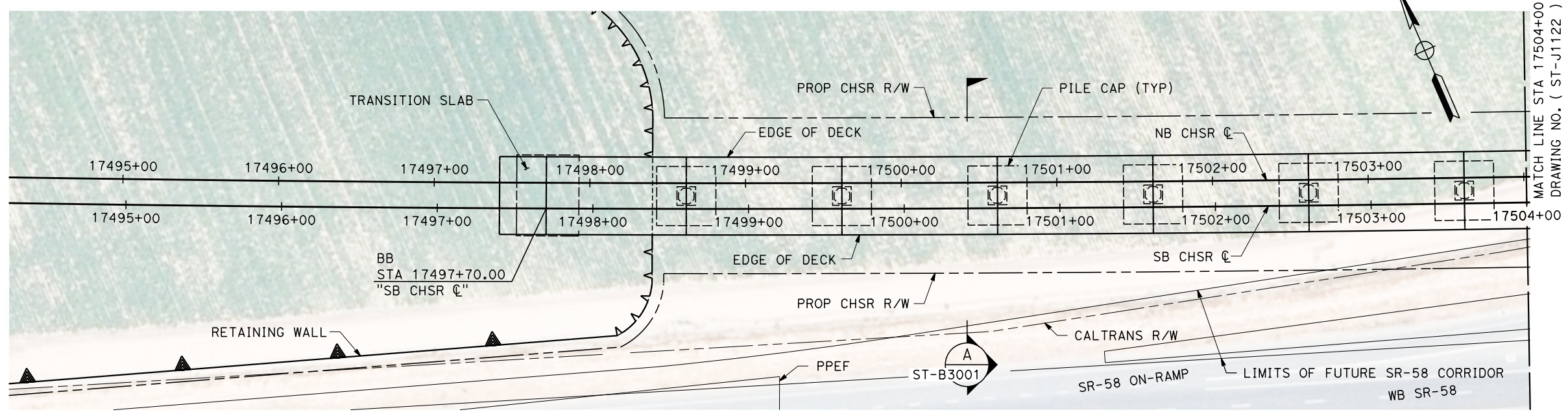
TOP OF RAIL "SB CHSR C"

NO SCALE



ELEVATION

SCALE 1" = 40'



PLAN

SCALE 1" = 40'



1"=40'
SCALE APPLICABLE FOR FULL SIZE ONLY

Projects\701206_00_CHSRBP\00_CADD\Sheet_Files\ST\BP-ST-J1121.dgn 11:20:46 AM 10/30/2017 TYLIN\Wang

REV	DATE	BY	CHK	APP	DESCRIPTION

DESIGNED BY
ROBERT BARTON

DRAWN BY
YIHONG WANG

CHECKED BY
R. GOLCHOBIAN

IN CHARGE
STEVE SMITH

DATE
10/31/2017

**RECORD
PEPD
SUBMITTAL**

**NOT FOR
CONSTRUCTION**

TYLIN INTERNATIONAL



**CALIFORNIA HIGH-SPEED RAIL PROJECT
BAKERSFIELD TO PALMDALE**

ALTERNATIVE 2
TRACK STRUCTURES
VIADUCT STATION 17497+70 TO 17530+80
PLAN AND ELEVATION

CONTRACT NO.
HSR 13-44

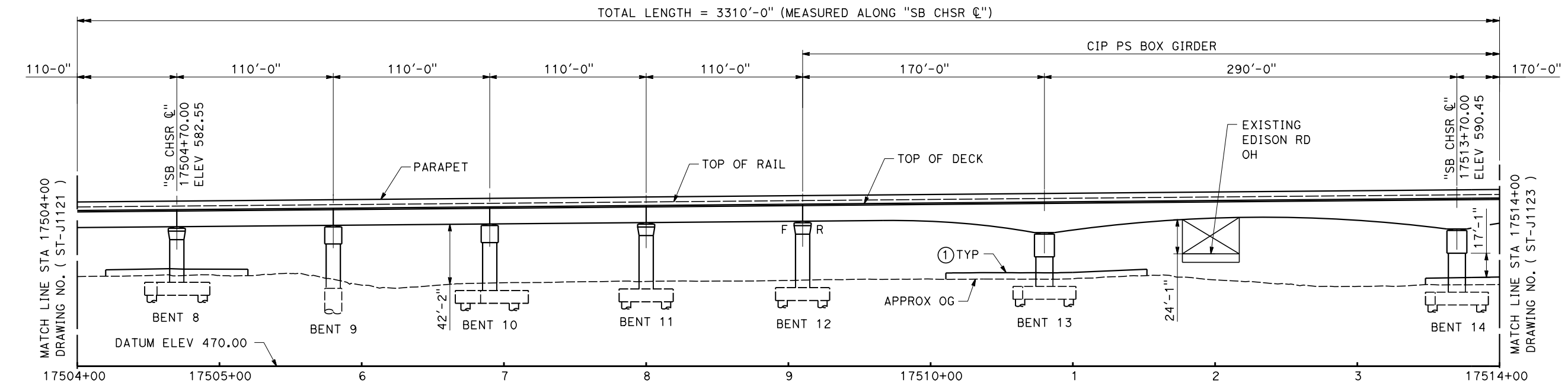
DRAWING NO.
ST-J1121

SCALE
AS SHOWN

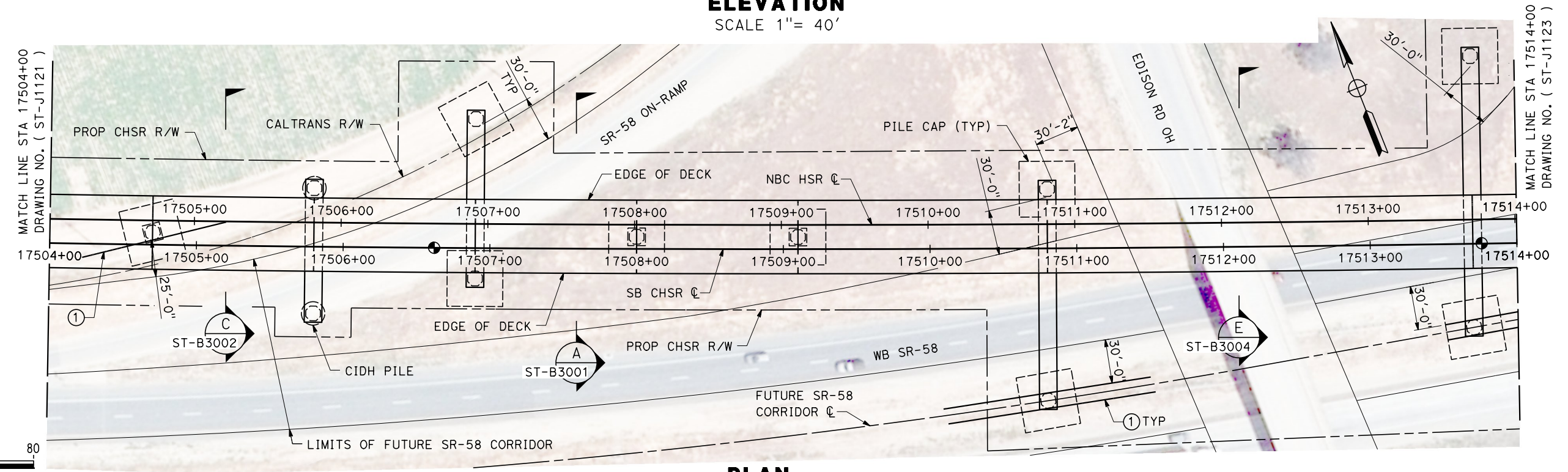
SHEET NO.

17430+49.57 EVC ELEV 517.42 0.88% 17616+98.46 BVC ELEV 681.11

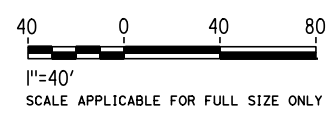
TOP OF RAIL "SB CHSR ☉"
NO SCALE



ELEVATION
SCALE 1" = 40'



PLAN
SCALE 1" = 40'



Projects\701206_00_CHSRBP\00_CADD\Sheet Files\ST\BP-ST-J1122.dgn
10/30/2017 11:20:44 AM TYLWang

REV	DATE	BY	CHK	APP	DESCRIPTION

DESIGNED BY
ROBERT BARTON
DRAWN BY
YIHONG WANG
CHECKED BY
R. GOLCHOBIAN
IN CHARGE
STEVE SMITH
DATE
10/31/2017

**RECORD
PEPD
SUBMITTAL**

**NOT FOR
CONSTRUCTION**

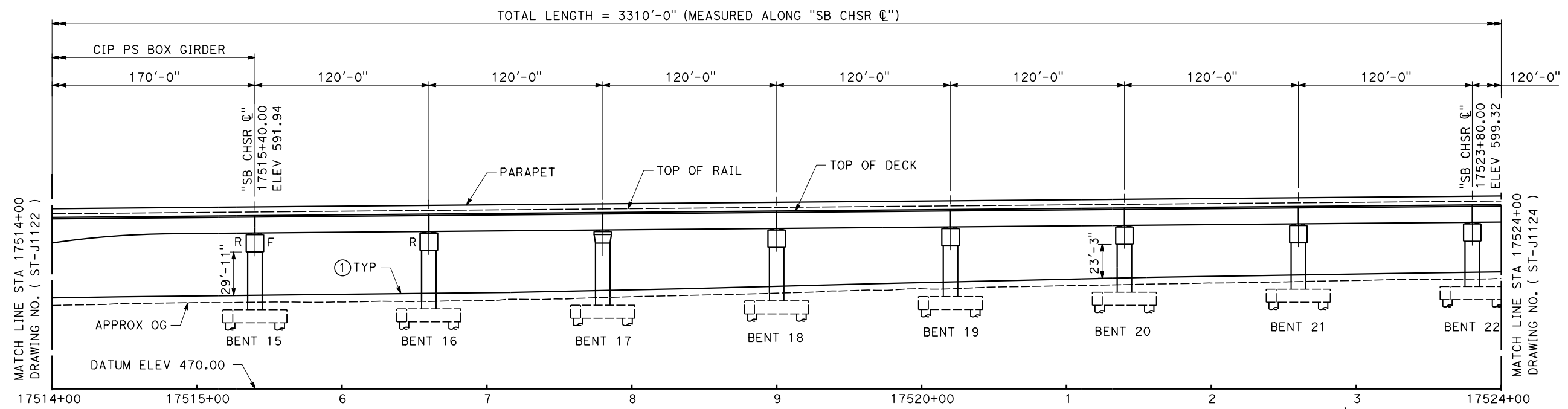
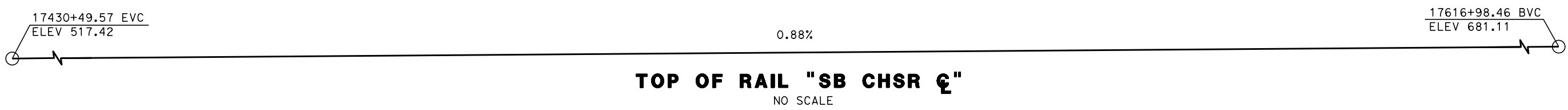


**CALIFORNIA HIGH-SPEED RAIL PROJECT
BAKERSFIELD TO PALMDALE**

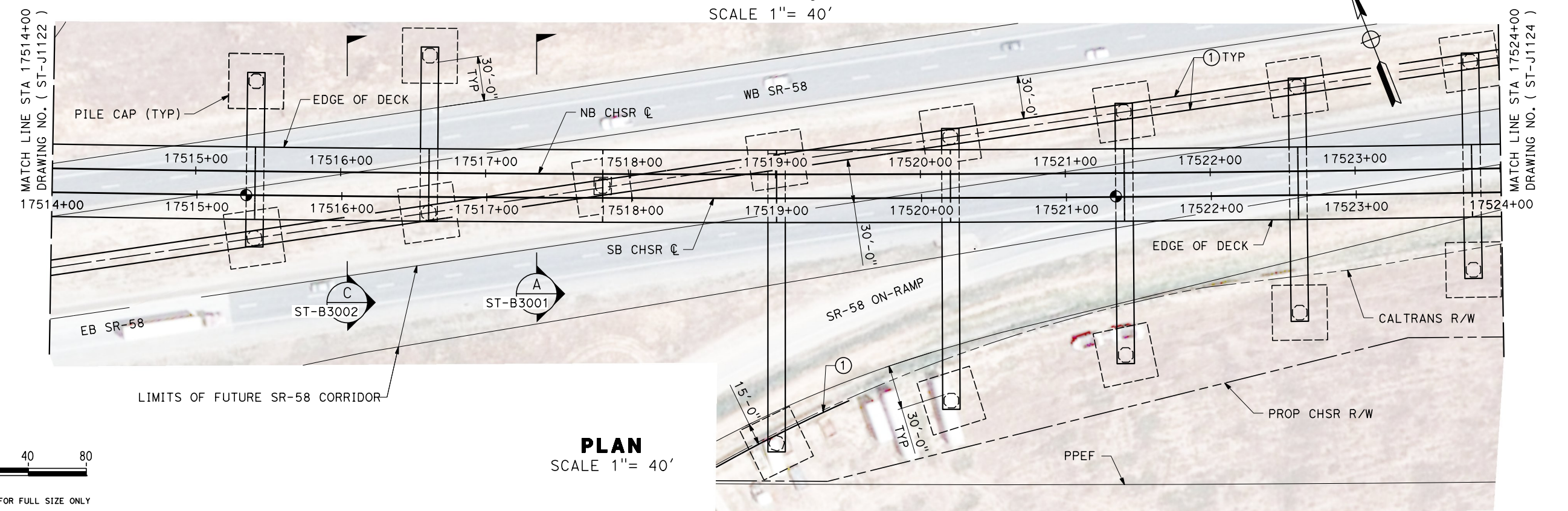
ALTERNATIVE 2
TRACK STRUCTURES
VIADUCT STATION 17497+70 TO 17530+80
PLAN AND ELEVATION

CONTRACT NO. HSR 13-44
DRAWING NO. ST-J1122
SCALE AS SHOWN
SHEET NO.

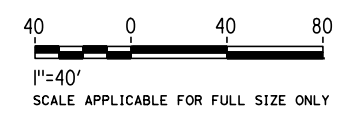
Projects\701206_00_CHSRBP\00_CADD\Sheet_Files\ST\BP-ST-J1123.dgn 10/30/2017 11:15:40 AM TYL\YWang



ELEVATION
SCALE 1" = 40'



PLAN
SCALE 1" = 40'



REV	DATE	BY	CHK	APP	DESCRIPTION

DESIGNED BY
ROBERT BARTON
DRAWN BY
YIHONG WANG
CHECKED BY
R. GOLCHOBIAN
IN CHARGE
STEVE SMITH
DATE
10/31/2017

**RECORD
PEPD
SUBMITTAL**

**NOT FOR
CONSTRUCTION**



**CALIFORNIA HIGH-SPEED RAIL PROJECT
BAKERSFIELD TO PALMDALE**

ALTERNATIVE 2
TRACK STRUCTURES
VIADUCT STATION 17497+70 TO 17530+80
PLAN AND ELEVATION

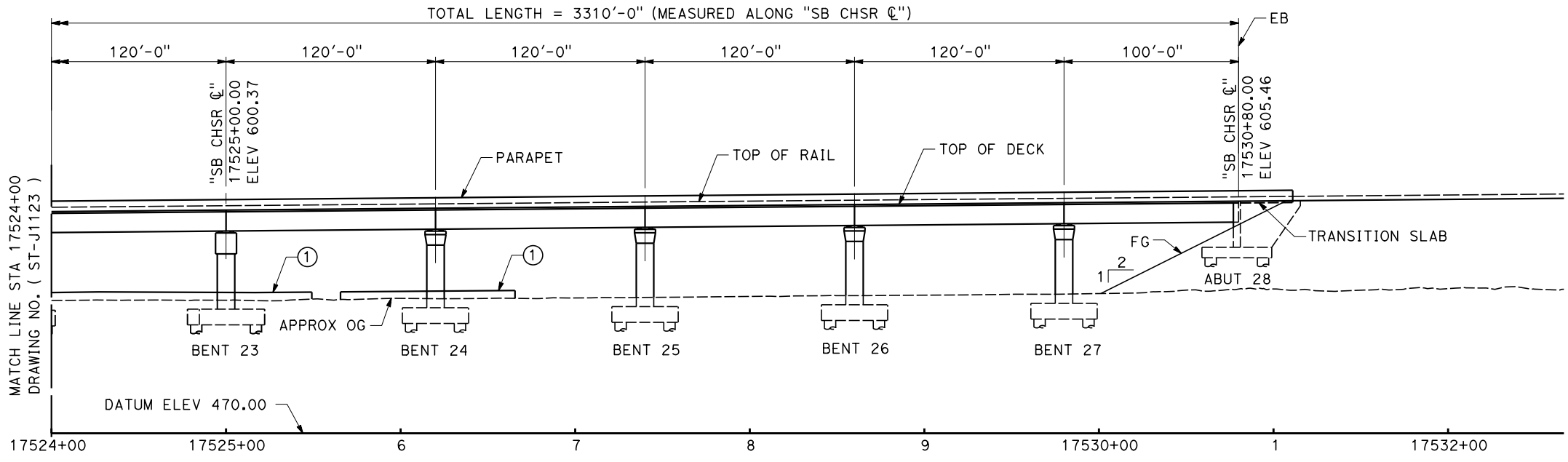
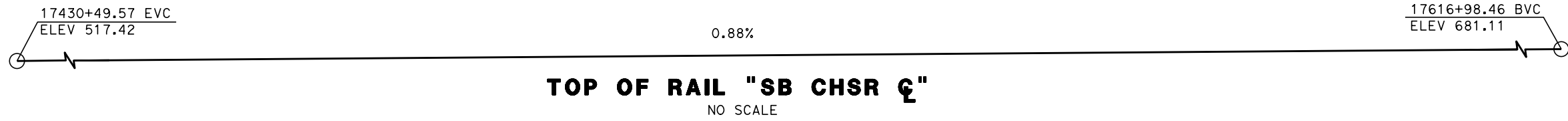
CONTRACT NO.
HSR 13-44

DRAWING NO.
ST-J1123

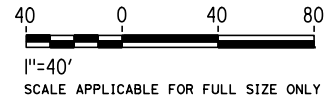
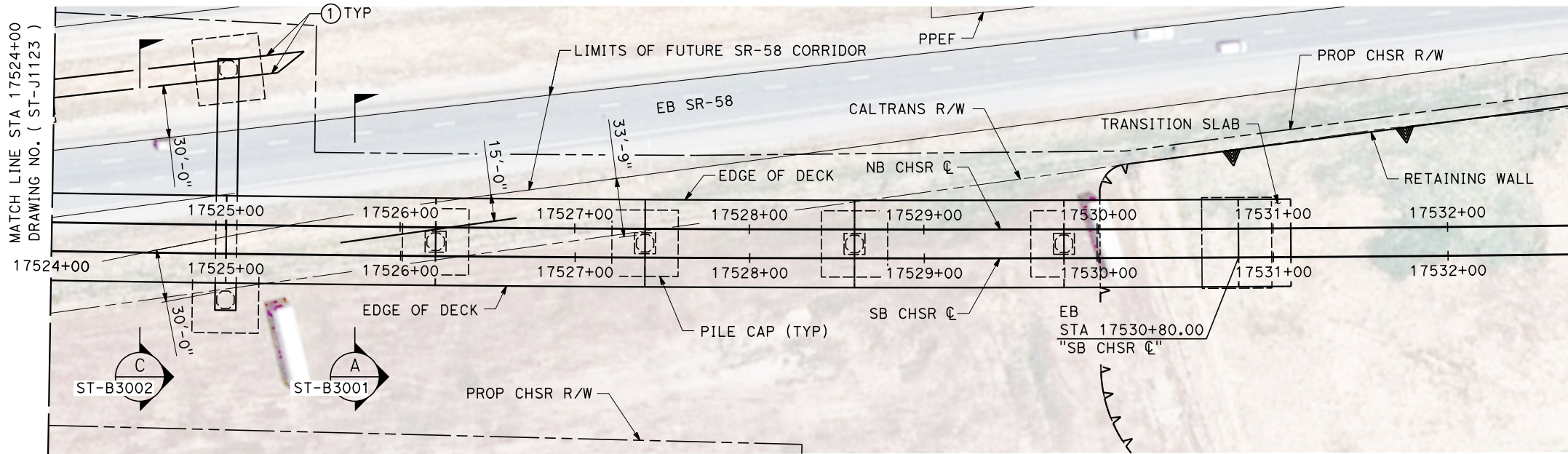
SCALE
AS SHOWN

SHEET NO.

Projects\701206_00_CHSRBP\00_CADD\Sheet_Files\ST\BP-ST-J1124.dgn
11:23:26 AM
10/30/2017
TYL\YWang



ELEVATION
SCALE 1" = 40'



PLAN
SCALE 1" = 40'

REV	DATE	BY	CHK	APP	DESCRIPTION

DESIGNED BY
ROBERT BARTON
DRAWN BY
YIHONG WANG
CHECKED BY
R. GOLCHOBIAN
IN CHARGE
STEVE SMITH
DATE
10/31/2017

**RECORD
PEPD
SUBMITTAL**

**NOT FOR
CONSTRUCTION**



CALIFORNIA HIGH-SPEED RAIL PROJECT
BAKERSFIELD TO PALMDALE
ALTERNATIVE 2
TRACK STRUCTURES
VIADUCT STATION 17497+70 TO 17530+80
PLAN AND ELEVATION

CONTRACT NO.
HSR 13-44
DRAWING NO.
ST-J1124
SCALE
AS SHOWN
SHEET NO.

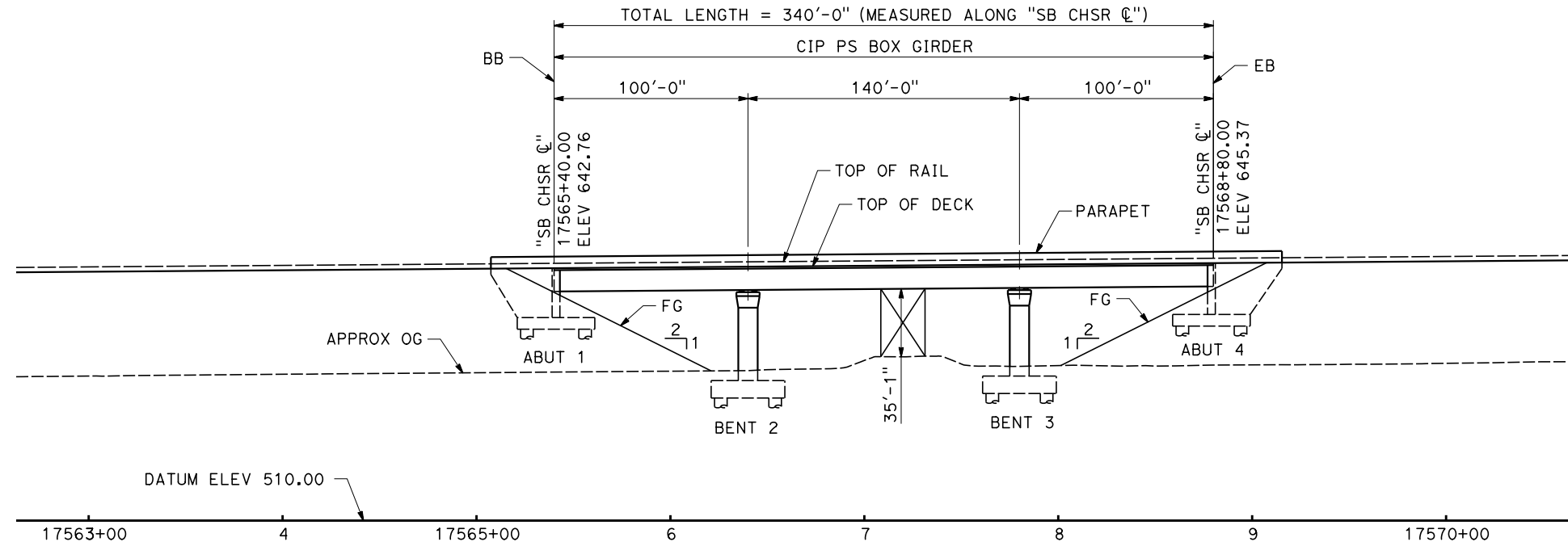
17430+49.57 EVC
ELEV 517.42

0.88%

17616+98.46 BVC
ELEV 681.11

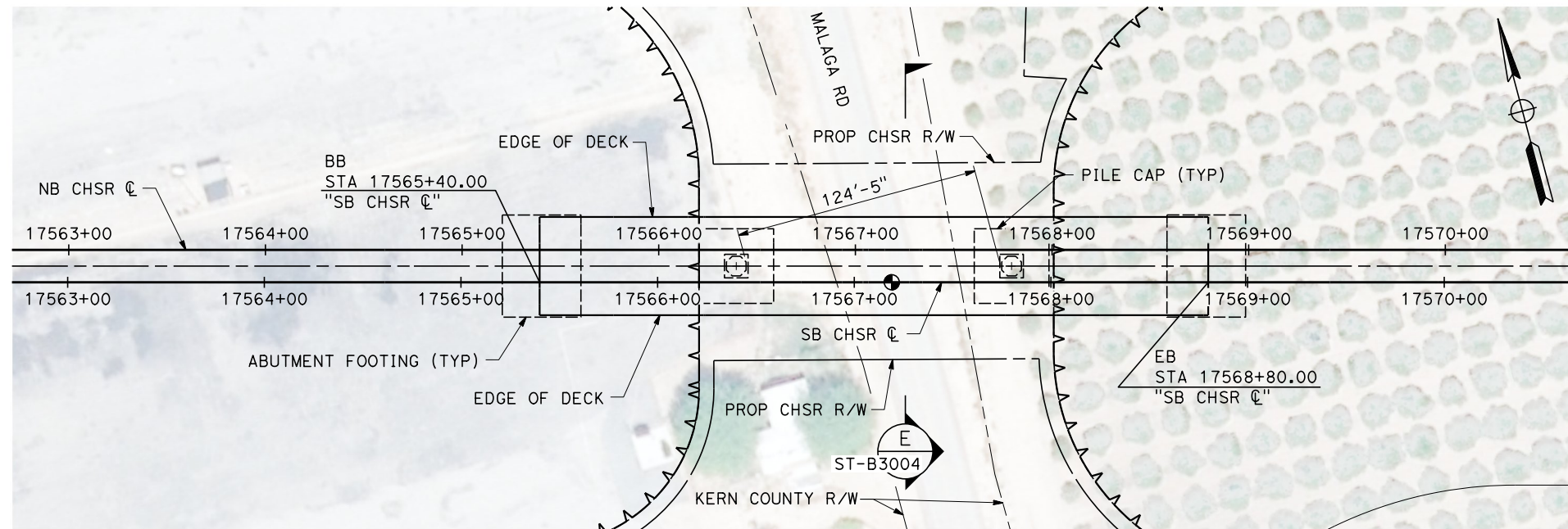
TOP OF RAIL "SB CHSR C"

NO SCALE



ELEVATION

SCALE 1" = 40'



PLAN

SCALE 1" = 40'



1" = 40'
SCALE APPLICABLE FOR FULL SIZE ONLY

Projects\701206_00_CHSRBP\00_CADD\Sheet Files\ST\BP-ST-J1125.dgn

10/30/2017 11:17:14 AM

TYLIN\Wang

REV	DATE	BY	CHK	APP	DESCRIPTION

DESIGNED BY
ROBERT BARTON

DRAWN BY
YIHONG WANG

CHECKED BY
R. GOLCHOBIAN

IN CHARGE
STEVE SMITH

DATE
10/31/2017

**RECORD
PEPD
SUBMITTAL**

**NOT FOR
CONSTRUCTION**

TYLIN INTERNATIONAL



CALIFORNIA HIGH-SPEED RAIL PROJECT
BAKERSFIELD TO PALMDALE

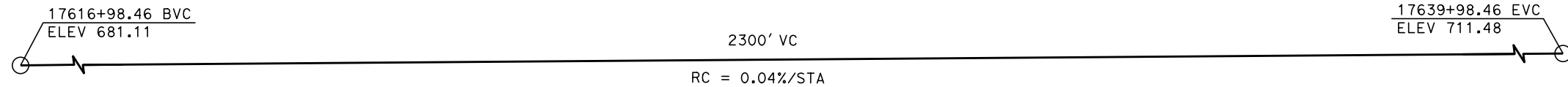
ALTERNATIVE 2
TRACK STRUCTURES
MALAGA ROAD UNDERPASS
PLAN AND ELEVATION

CONTRACT NO.
HSR 13-44

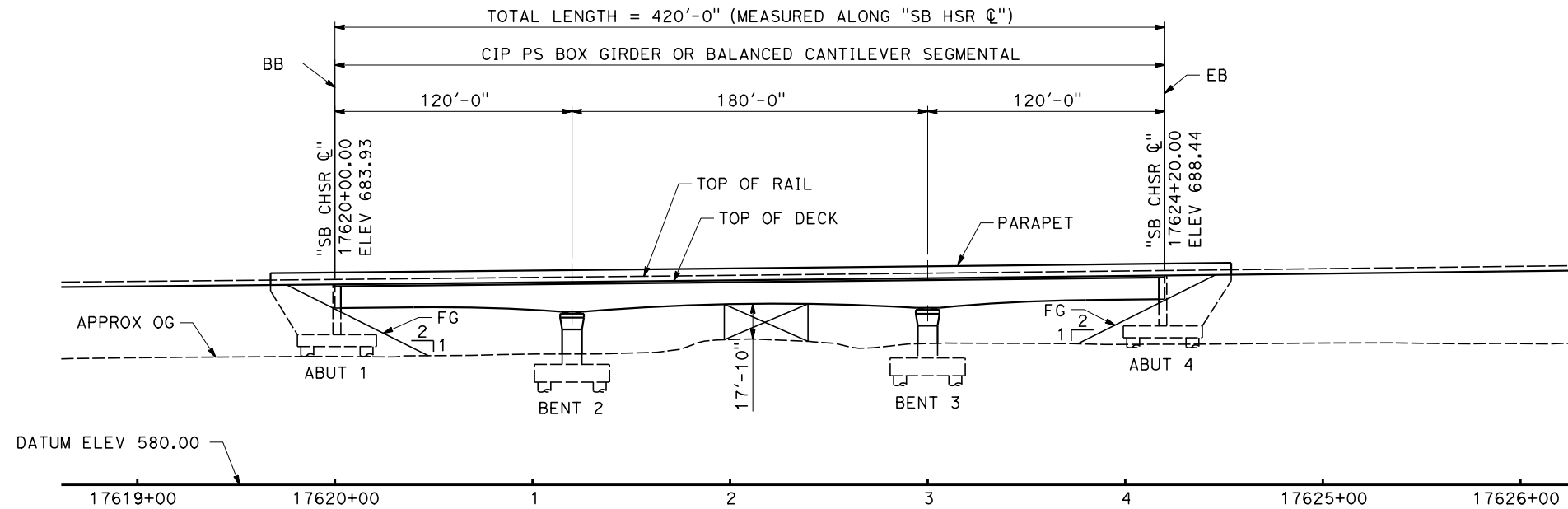
DRAWING NO.
ST-J1125

SCALE
AS SHOWN

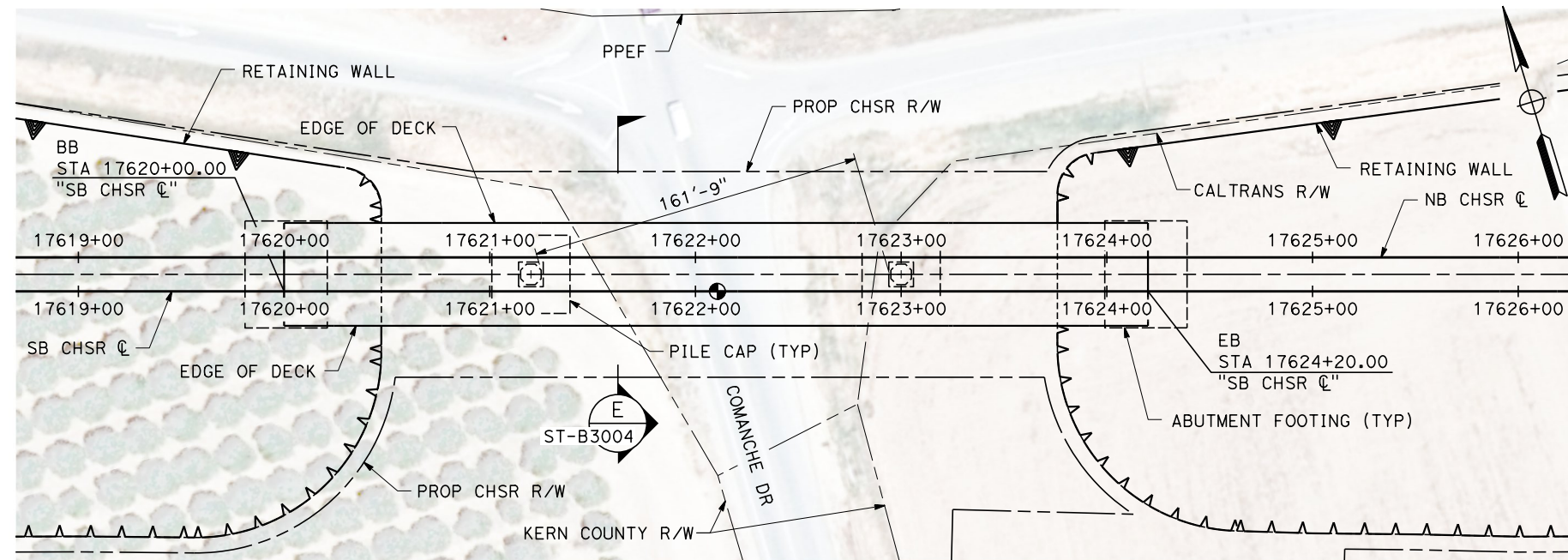
SHEET NO.



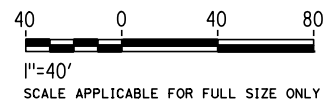
TOP OF RAIL "SB CHSR C"
NO SCALE



ELEVATION
SCALE 1" = 40'



PLAN
SCALE 1" = 40'



Projects\701206_00_CHSRBP\00_CADD\Sheet_Files\ST\BP-ST-J1126.dgn
10/30/2017 11:16:39 AM
TYLIN\Wang

REV	DATE	BY	CHK	APP	DESCRIPTION

DESIGNED BY
ROBERT BARTON
DRAWN BY
YIHONG WANG
CHECKED BY
R. GOLCHOBIAN
IN CHARGE
STEVE SMITH
DATE
10/31/2017

**RECORD
PEPD
SUBMITTAL**

**NOT FOR
CONSTRUCTION**



**CALIFORNIA HIGH-SPEED RAIL PROJECT
BAKERSFIELD TO PALMDALE**

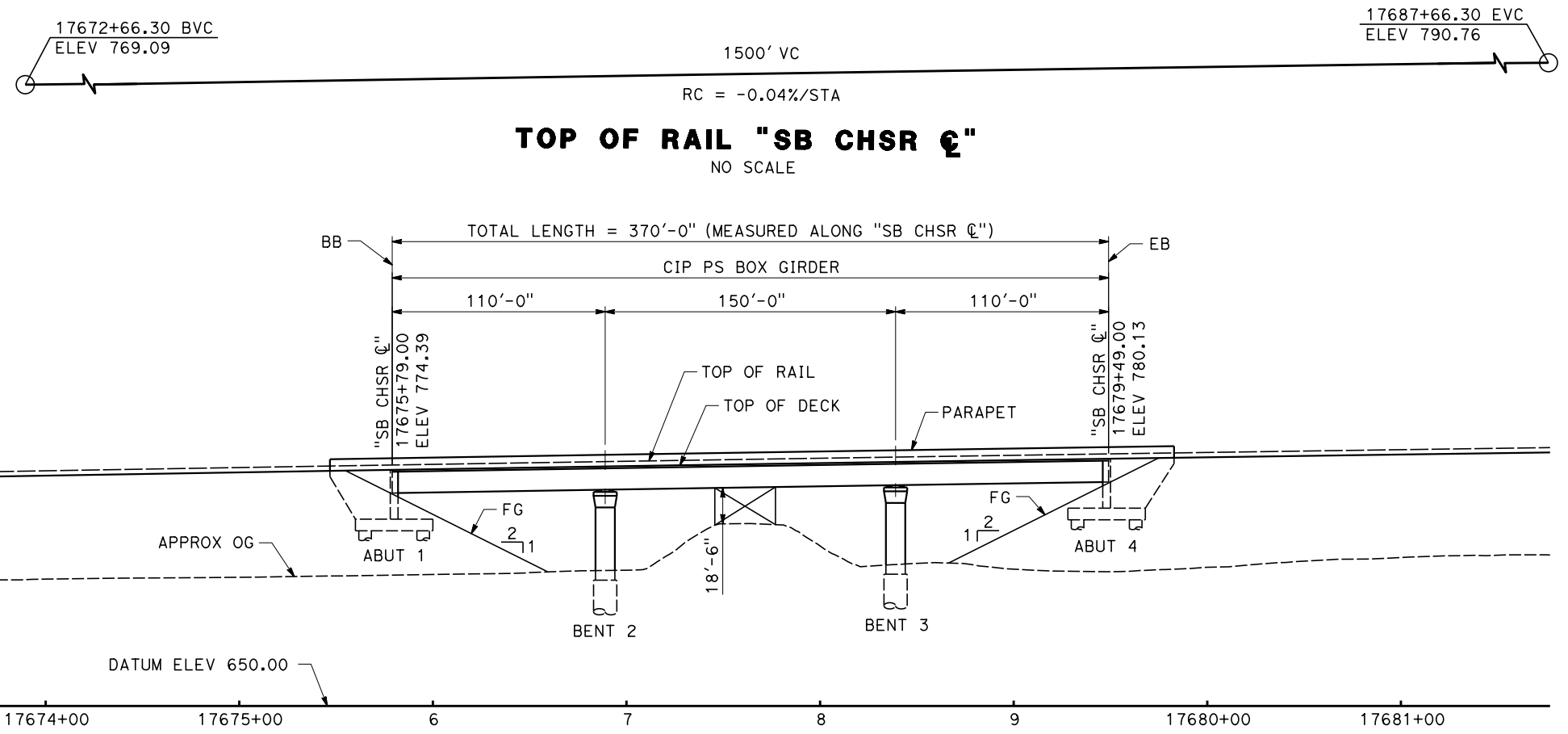
ALTERNATIVE 2
TRACK STRUCTURES
COMANCHE DRIVE UNDERPASS
PLAN AND ELEVATION

CONTRACT NO.
HSR 13-44

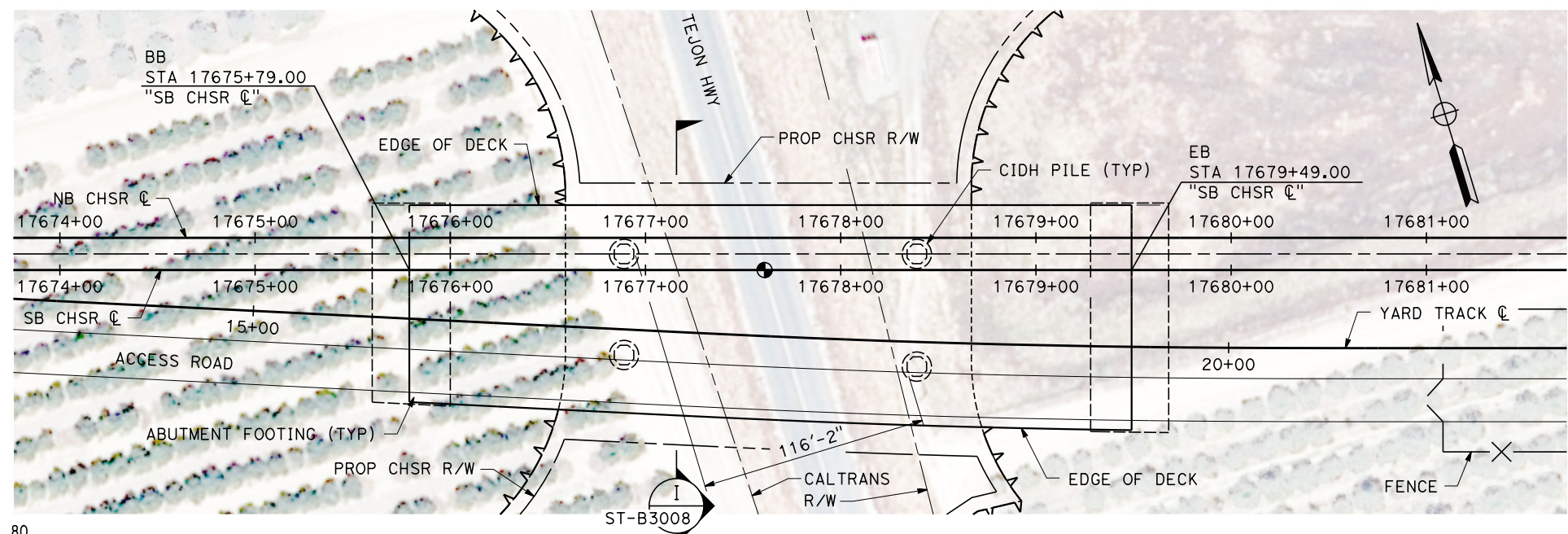
DRAWING NO.
ST-J1126

SCALE
AS SHOWN

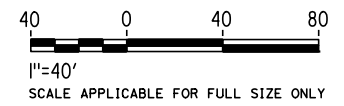
SHEET NO.



ELEVATION
SCALE 1" = 40'



PLAN
SCALE 1" = 40'



Projects\701206_00_CHSRBP\00_CADD\Sheet_Files\ST\BP-ST-J1127.dgn
11:25:18 AM
10/30/2017
TYLIN\Wang

REV	DATE	BY	CHK	APP	DESCRIPTION

DESIGNED BY
ROBERT BARTON
DRAWN BY
YIHONG WANG
CHECKED BY
R. GOLCHOBIAN
IN CHARGE
STEVE SMITH
DATE
10/31/2017

**RECORD
PEPD
SUBMITTAL**

**NOT FOR
CONSTRUCTION**

TYLIN INTERNATIONAL



**CALIFORNIA HIGH-SPEED RAIL PROJECT
BAKERSFIELD TO PALMDALE**

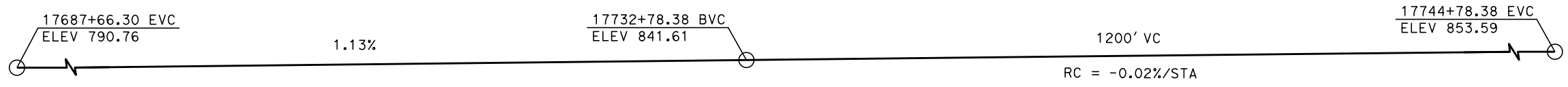
ALTERNATIVE 2
TRACK STRUCTURES
TEJON HIGHWAY UNDERPASS
PLAN AND ELEVATION

CONTRACT NO.
HSR 13-44

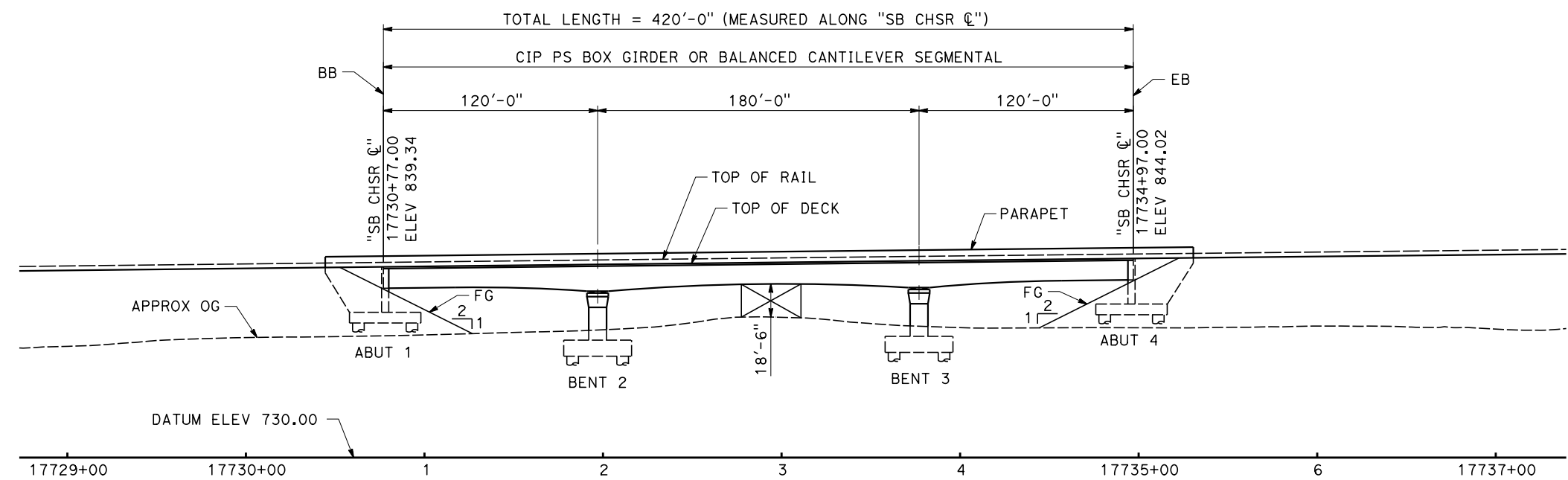
DRAWING NO.
ST-J1127

SCALE
AS SHOWN

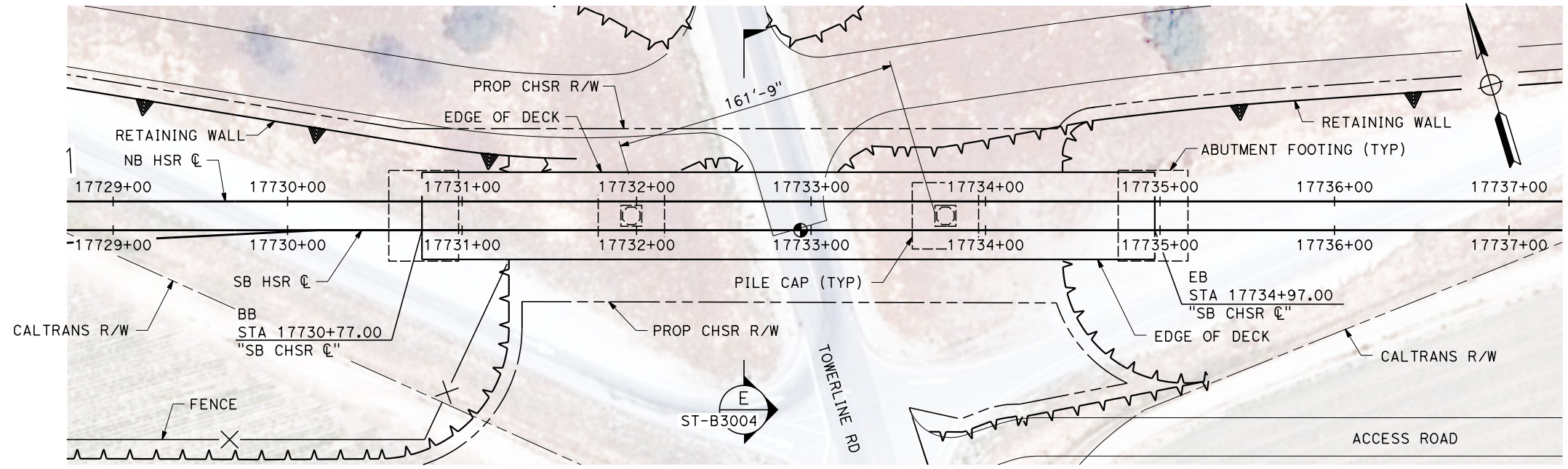
SHEET NO.



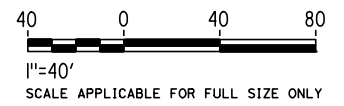
TOP OF RAIL "SB CHSR ☉"
NO SCALE



ELEVATION
SCALE 1" = 40'



PLAN
SCALE 1" = 40'



Projects\701206_00_CHSRBP\00_CADD\Sheet_Files\ST\BP-ST-J1128.dgn
10/30/2017 11:22:22 AM TYLIN\Wang

REV	DATE	BY	CHK	APP	DESCRIPTION

DESIGNED BY
ROBERT BARTON
DRAWN BY
YIHONG WANG
CHECKED BY
R. GOLCHOBIAN
IN CHARGE
STEVE SMITH
DATE
10/31/2017

**RECORD
PEPD
SUBMITTAL**

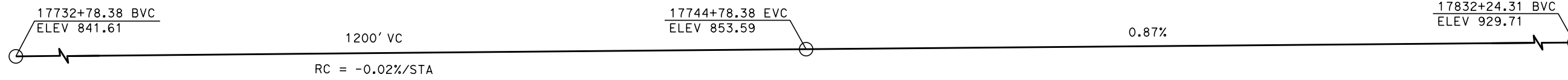
**NOT FOR
CONSTRUCTION**



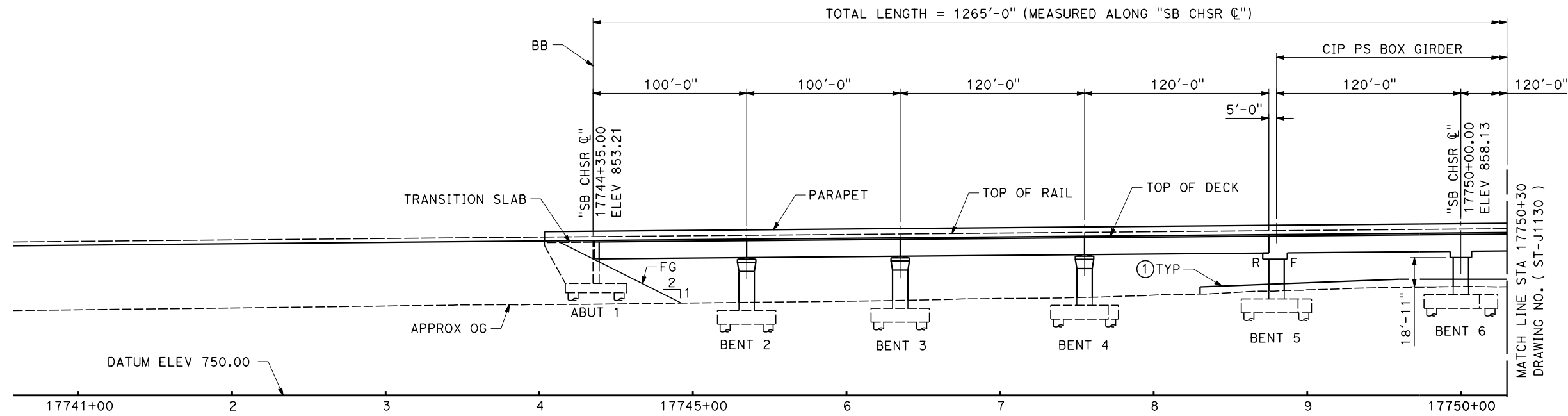
**CALIFORNIA HIGH-SPEED RAIL PROJECT
BAKERSFIELD TO PALMDALE**

ALTERNATIVE 2
TRACK STRUCTURES
TOWERLINE ROAD UNDERPASS
PLAN AND ELEVATION

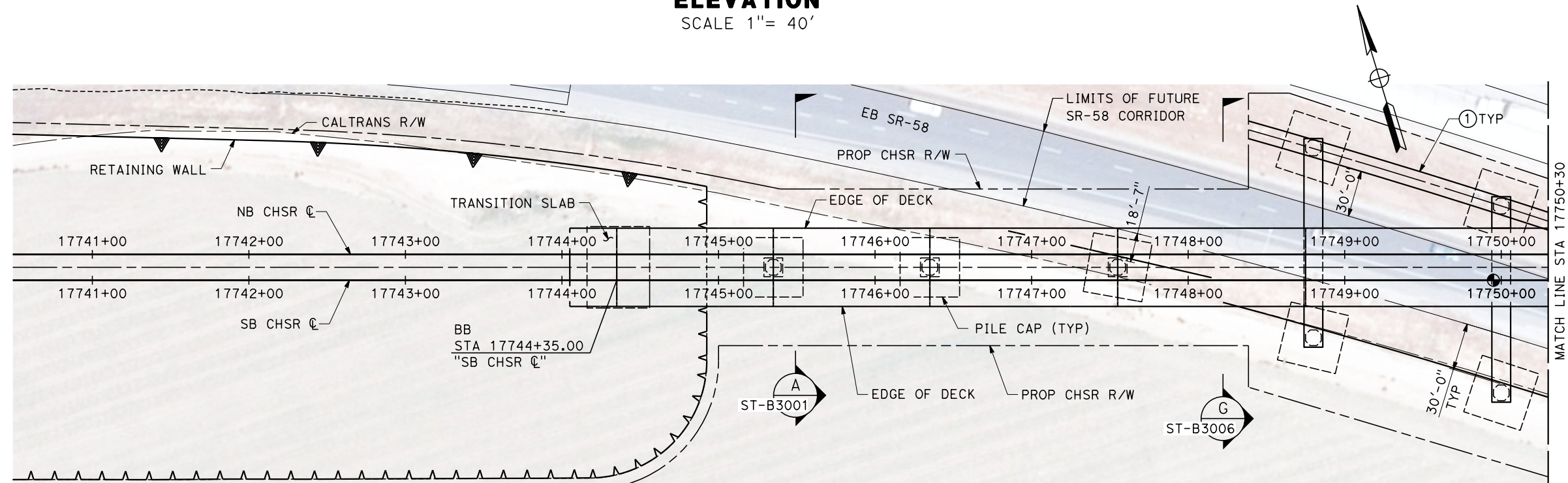
CONTRACT NO.
HSR 13-44
DRAWING NO.
ST-J1128
SCALE
AS SHOWN
SHEET NO.



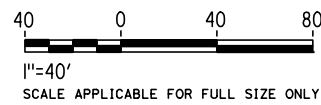
TOP OF RAIL "SB CHSR ☉"
NO SCALE



ELEVATION
SCALE 1" = 40'



PLAN
SCALE 1" = 40'



Projects\701206_00_CHSRBP\00_CADD\Sheet_Files\ST\BP-ST-J1129.dgn

10/30/2017 11:24:31 AM

TYLIN\Wang

REV	DATE	BY	CHK	APP	DESCRIPTION

DESIGNED BY
ROBERT BARTON

DRAWN BY
YIHONG WANG

CHECKED BY
R. GOLCHOBIAN

IN CHARGE
STEVE SMITH

DATE
10/31/2017

**RECORD
PEPD
SUBMITTAL**

**NOT FOR
CONSTRUCTION**



**CALIFORNIA HIGH-SPEED RAIL PROJECT
BAKERSFIELD TO PALMDALE**

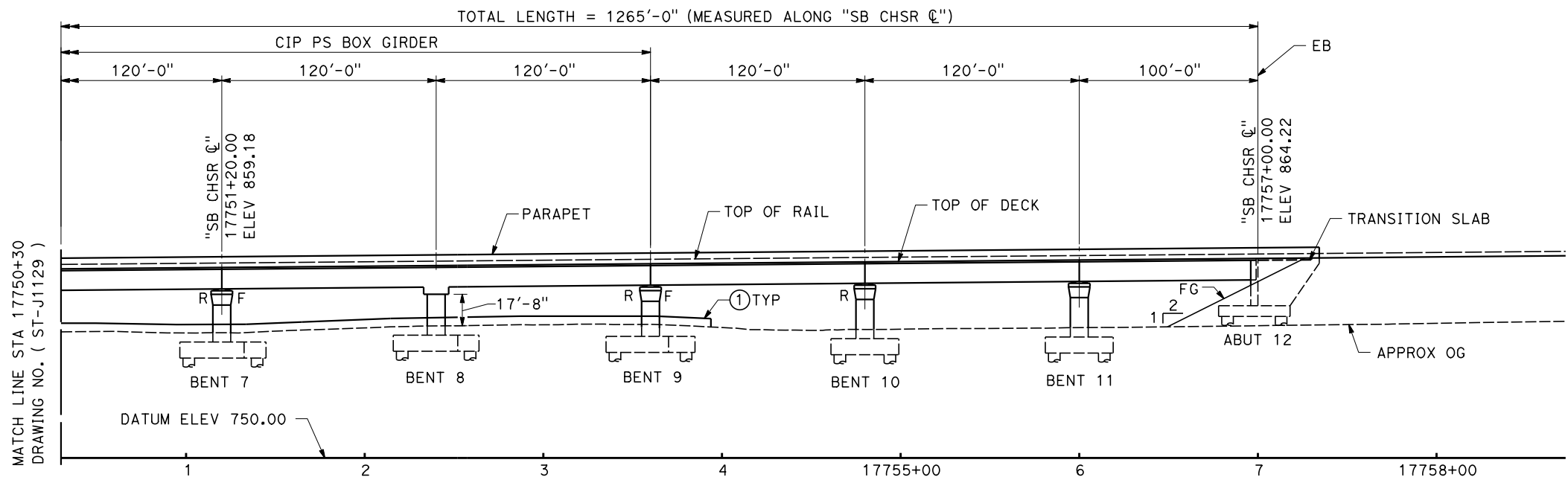
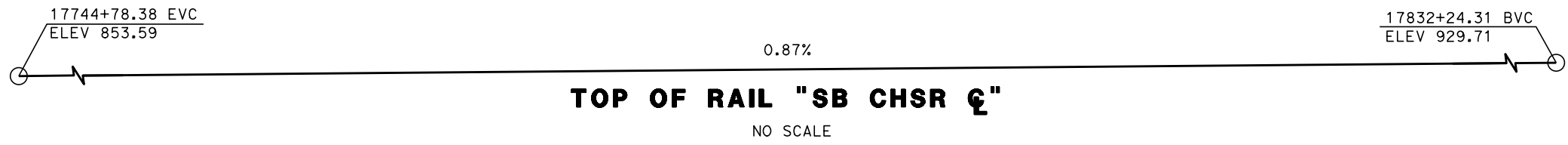
ALTERNATIVE 2
TRACK STRUCTURES
SR 58 VIADUCT
PLAN AND ELEVATION

CONTRACT NO.
HSR 13-44

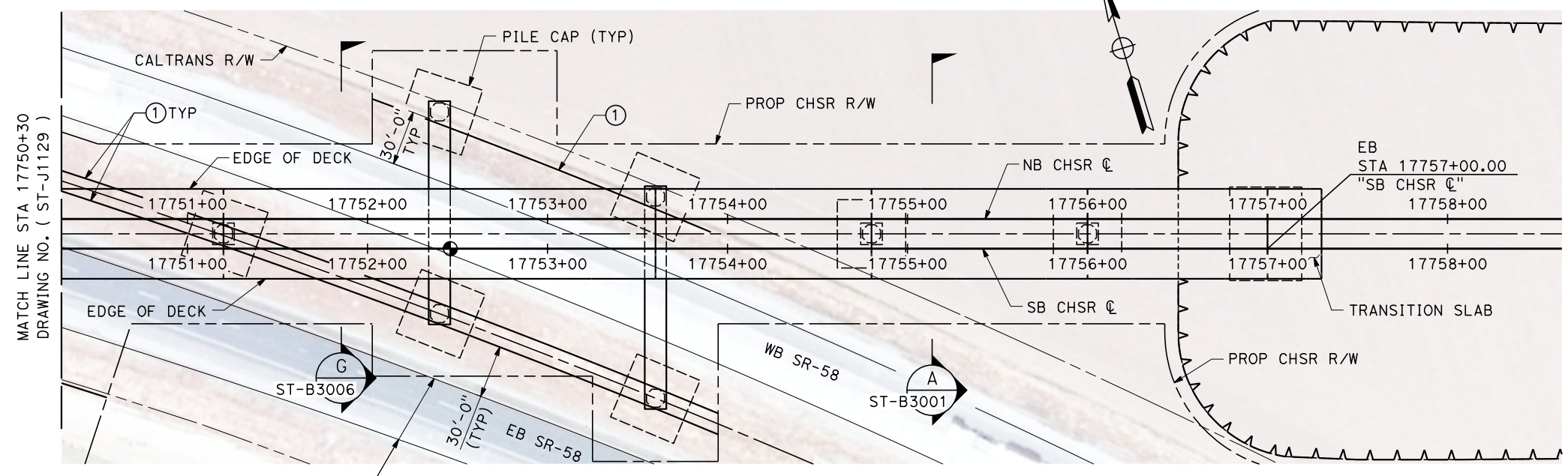
DRAWING NO.
ST-J1129

SCALE
AS SHOWN

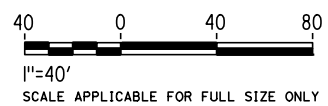
SHEET NO.



ELEVATION
SCALE 1" = 40'



PLAN
SCALE 1" = 40'



Projects\701206_00_CHSRBP\00_CADD\Sheet_Files\ST\BP-ST-J1130.dgn
10/30/2017 11:18:38 AM
TYLIN\Wang

REV	DATE	BY	CHK	APP	DESCRIPTION

DESIGNED BY
ROBERT BARTON
DRAWN BY
YIHONG WANG
CHECKED BY
R. GOLCHOBIAN
IN CHARGE
STEVE SMITH
DATE
10/31/2017

**RECORD
PEPD
SUBMITTAL**

**NOT FOR
CONSTRUCTION**

TYLIN INTERNATIONAL



**CALIFORNIA HIGH-SPEED RAIL PROJECT
BAKERSFIELD TO PALMDALE**

ALTERNATIVE 2
TRACK STRUCTURES
SR 58 VIADUCT
PLAN AND ELEVATION

CONTRACT NO.
HSR 13-44

DRAWING NO.
ST-J1130

SCALE
AS SHOWN

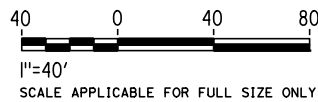
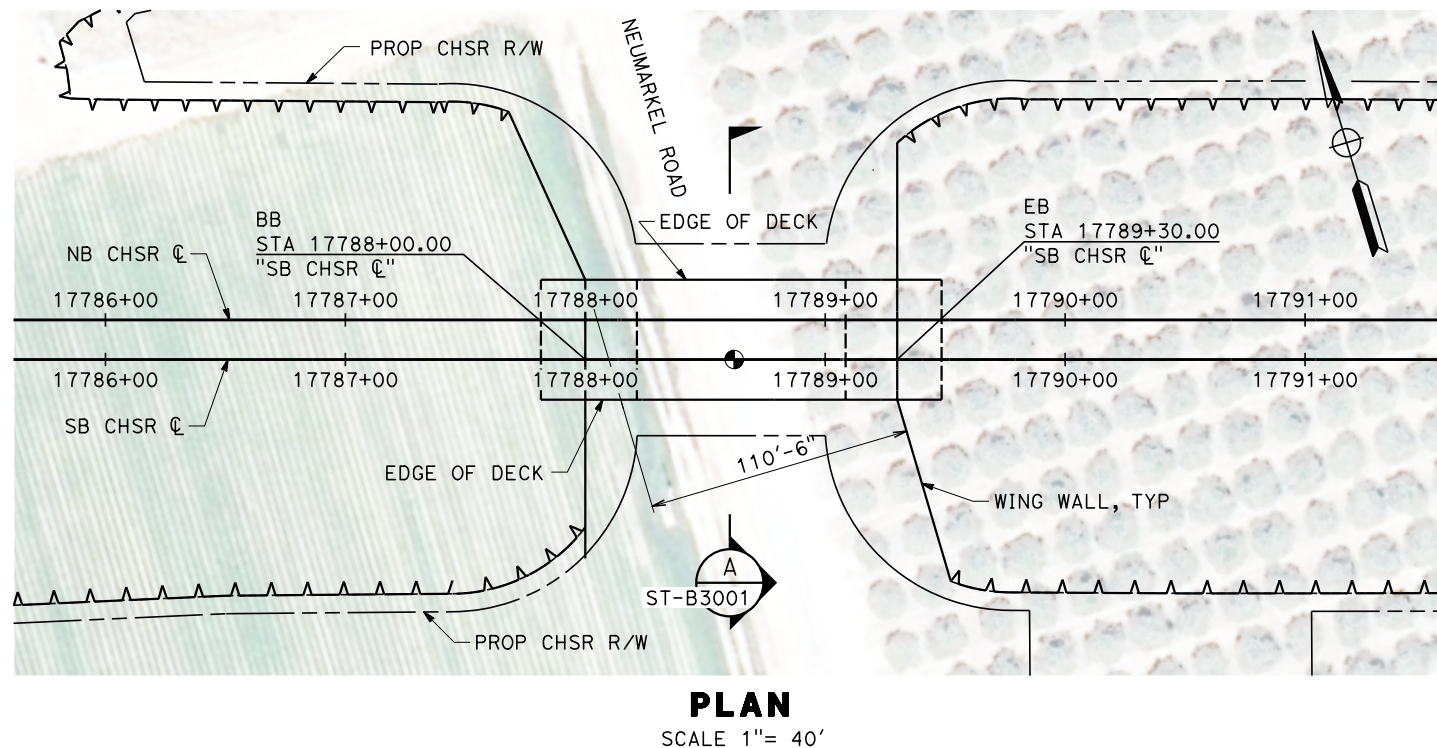
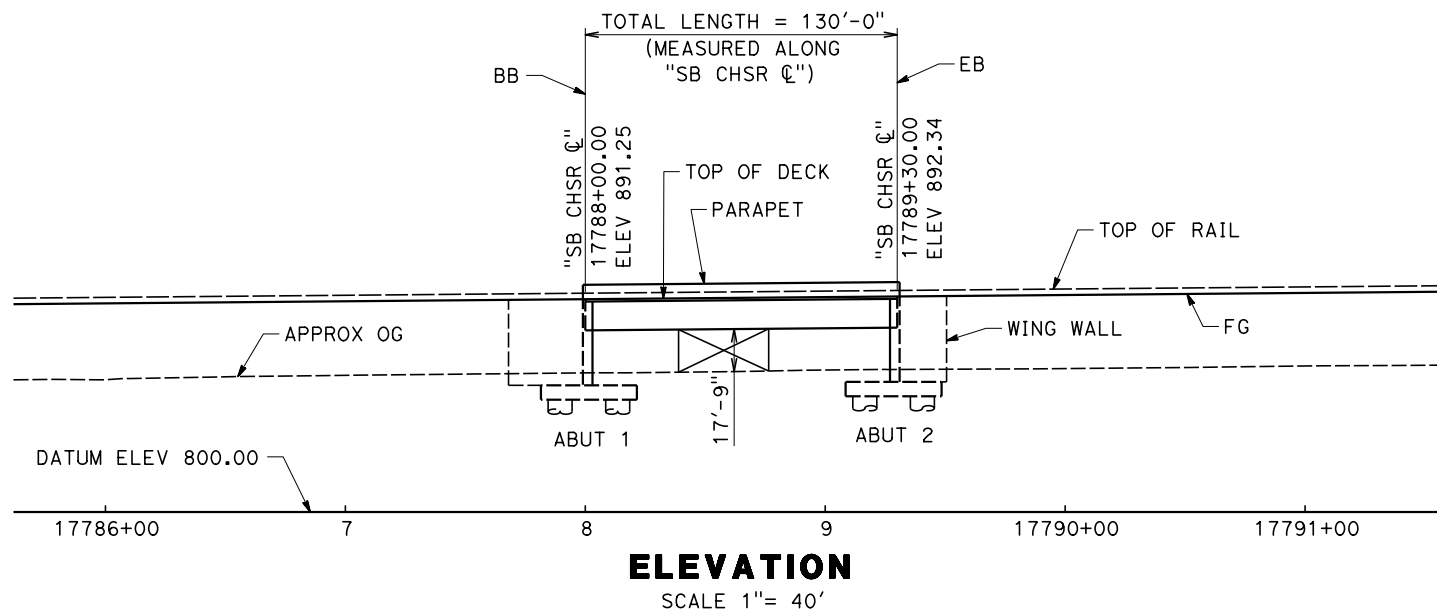
SHEET NO.

17744+78.38 EVC
ELEV 853.59

0.87%

17832+24.31 BVC
ELEV 929.71

TOP OF RAIL "SB CHSR ☉"
NO SCALE



Projects\701206.00_CHSRBP\00_CADD\Sheet_Files\ST\BP-ST-J1131.dgn
10/30/2017 11:16:07 AM
TYLIN\Wang

REV	DATE	BY	CHK	APP	DESCRIPTION

DESIGNED BY
ROBERT BARTON
DRAWN BY
IVAN MARTIN
CHECKED BY
R. GOLCHOBIAN
IN CHARGE
STEVE SMITH
DATE
10/31/2017

**RECORD
PEPD
SUBMITTAL**

**NOT FOR
CONSTRUCTION**

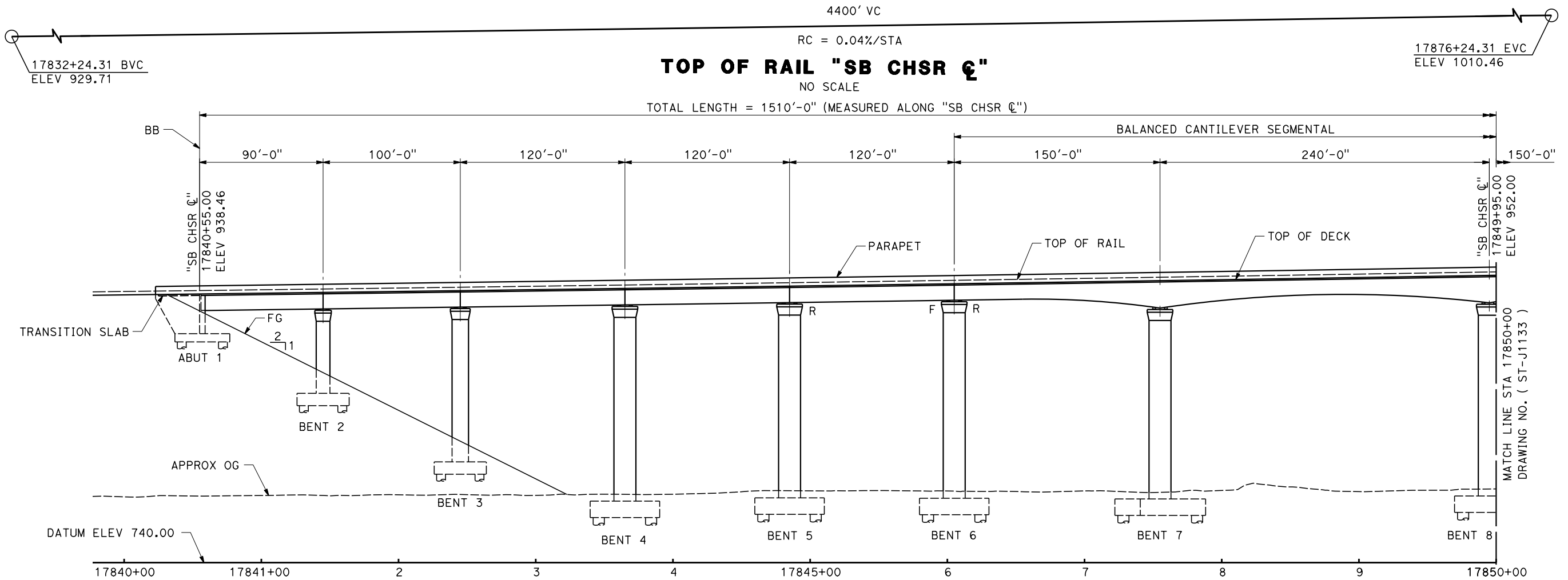
TYLIN INTERNATIONAL



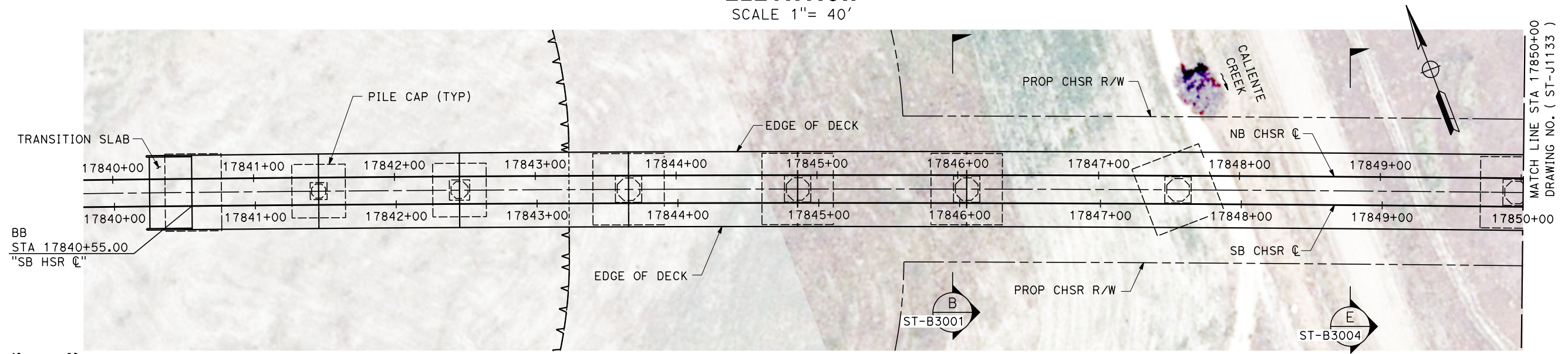
**CALIFORNIA HIGH-SPEED RAIL PROJECT
BAKERSFIELD TO PALMDALE**

ALTERNATIVE 2
TRACK STRUCTURES
NEUMARKTEL ROAD UNDERPASS
PLAN AND ELEVATION

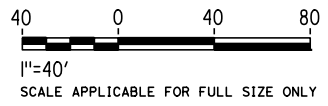
CONTRACT NO.
HSR13-44
DRAWING NO.
ST-J1131
SCALE
AS SHOWN
SHEET NO.



ELEVATION
SCALE 1" = 40'



PLAN
SCALE 1" = 40'



Projects\701206_00_CHSRBP\00_CADD\Sheet_Files\ST\BP-ST-J1132.dgn
10/30/2017 11:16:11 AM
TYLIN\Wang

REV	DATE	BY	CHK	APP	DESCRIPTION

DESIGNED BY
ROBERT BARTON

DRAWN BY
YIHONG WANG

CHECKED BY
R. GOLCHOBIAN

IN CHARGE
STEVE SMITH

DATE
10/31/2017

**RECORD
PEPD
SUBMITTAL**

**NOT FOR
CONSTRUCTION**



**CALIFORNIA HIGH-SPEED RAIL PROJECT
BAKERSFIELD TO PALMDALE**

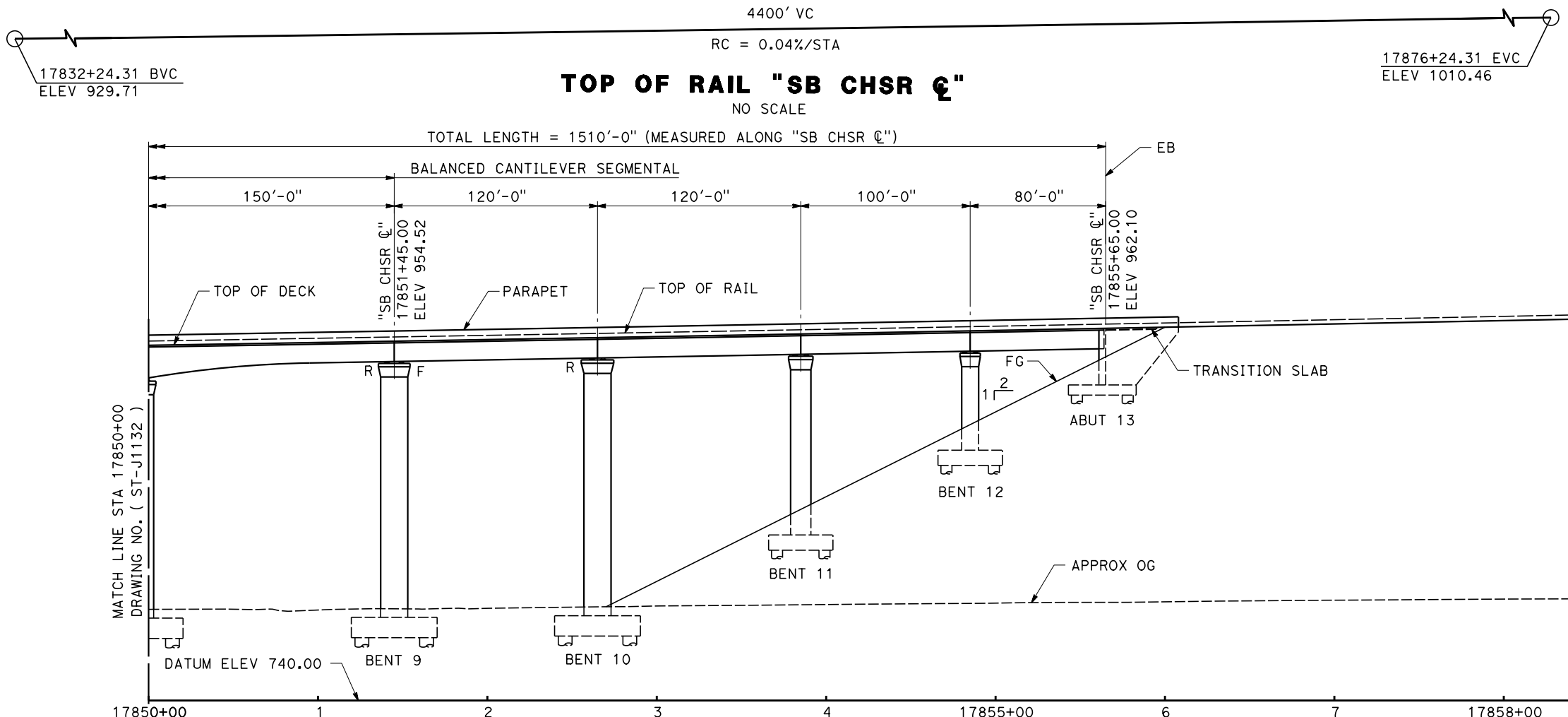
ALTERNATIVE 2
TRACK STRUCTURES
VIADUCT STATION 17842+85 TO 17855+65
PLAN AND ELEVATION

CONTRACT NO.
HSR 13-44

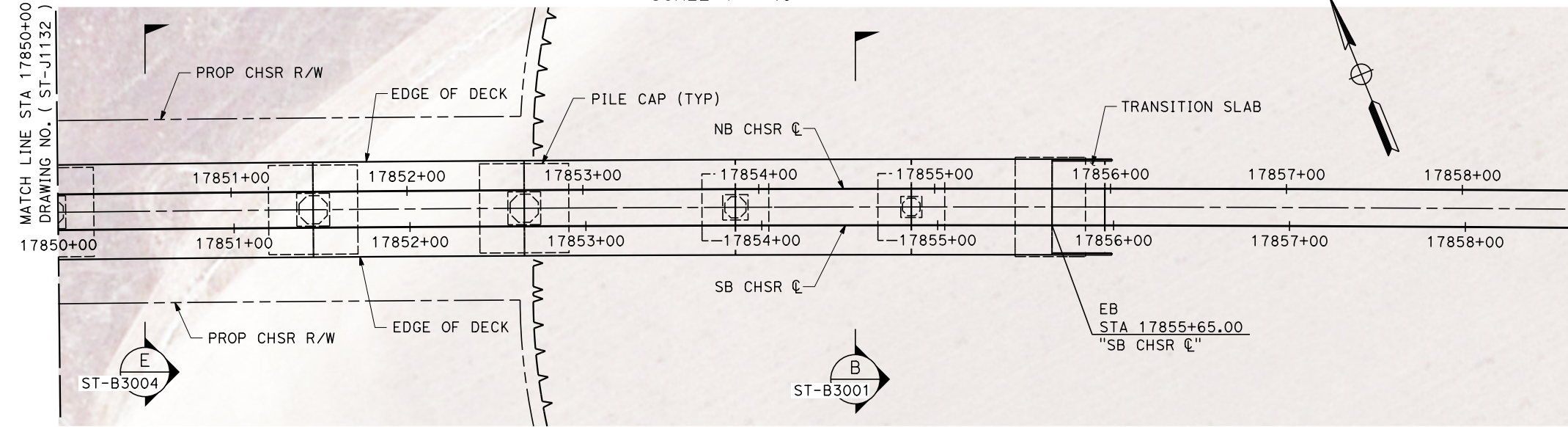
DRAWING NO.
ST-J1132

SCALE
AS SHOWN

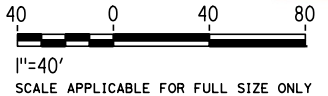
SHEET NO.



ELEVATION
SCALE 1" = 40'



PLAN
SCALE 1" = 40'



Projects\701206_00_CHSRBP\00_CADD\Sheet_Files\ST\BP-ST-J1133.dgn
11:16:44 AM
10/30/2017
TYLIN\Wang

REV	DATE	BY	CHK	APP	DESCRIPTION

DESIGNED BY
ROBERT BARTON

DRAWN BY
YIHONG WANG

CHECKED BY
R. GOLCHOBIAN

IN CHARGE
STEVE SMITH

DATE
10/31/2017

**RECORD
PEPD
SUBMITTAL**

**NOT FOR
CONSTRUCTION**



CALIFORNIA HIGH-SPEED RAIL PROJECT
BAKERSFIELD TO PALMDALE

ALTERNATIVE 2
TRACK STRUCTURES
VIADUCT STATION 17842+85 TO 17855+65
PLAN AND ELEVATION

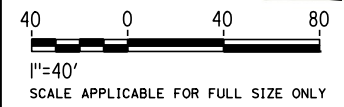
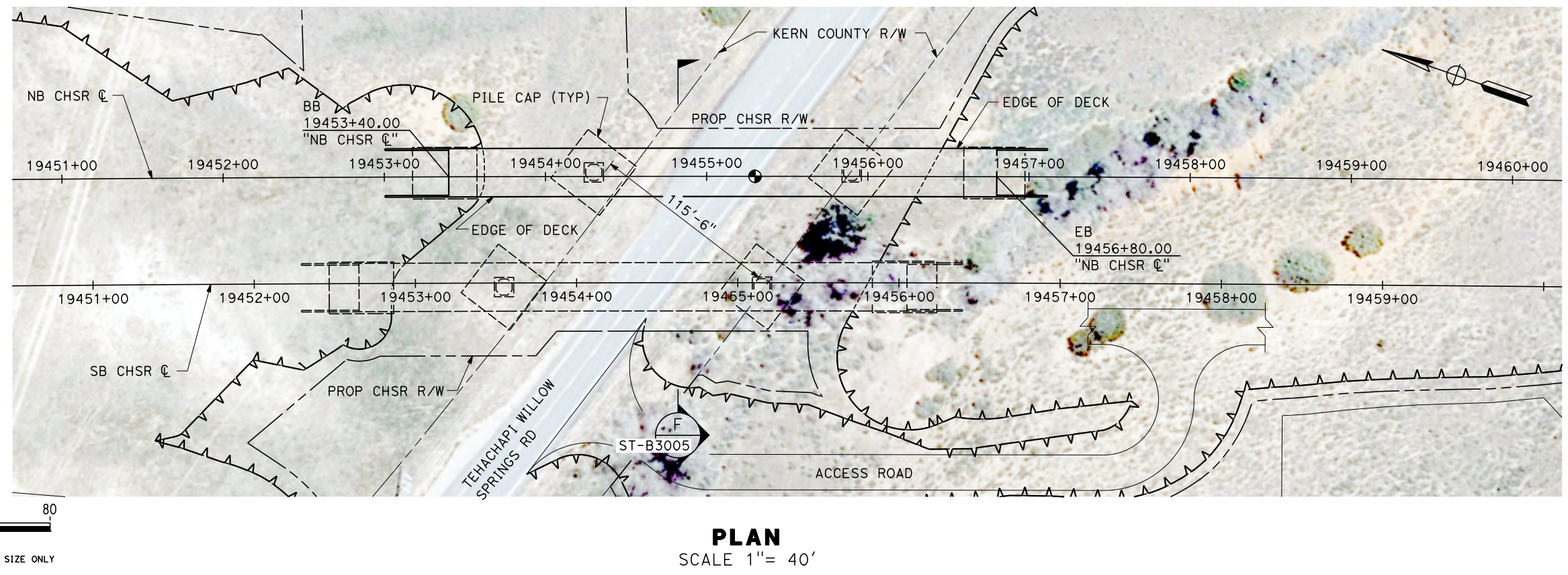
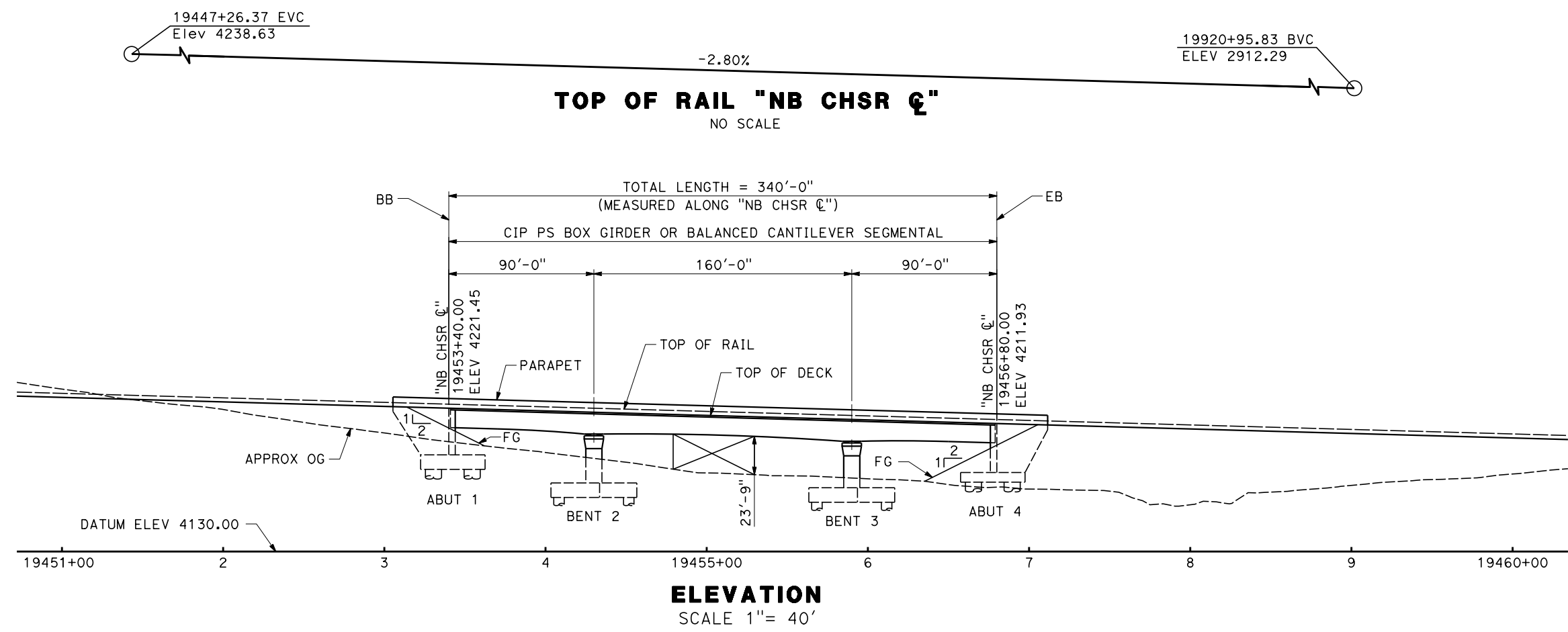
CONTRACT NO.
HSR 13-44

DRAWING NO.
ST-J1133

SCALE
AS SHOWN

SHEET NO.

Projects\701206_00_CHSRBP\00_CADD\Sheet Files\ST\BP-ST-J1134.dgn
10/30/2017 11:13:03 AM TYLIN\Wang



REV	DATE	BY	CHK	APP	DESCRIPTION

DESIGNED BY
ROBERT BARTON

DRAWN BY
YIHONG WANG

CHECKED BY
R. GOLCHOBIAN

IN CHARGE
STEVE SMITH

DATE
10/31/2017

**RECORD
PEPD
SUBMITTAL**

**NOT FOR
CONSTRUCTION**

TYLIN INTERNATIONAL



CALIFORNIA HIGH-SPEED RAIL PROJECT
BAKERSFIELD TO PALMDALE

ALTERNATIVE 3
TRACK STRUCTURES
TEHACHAPI WILLOW SPRINGS ROAD NORTH UNDERPASS-4
PLAN AND ELEVATION

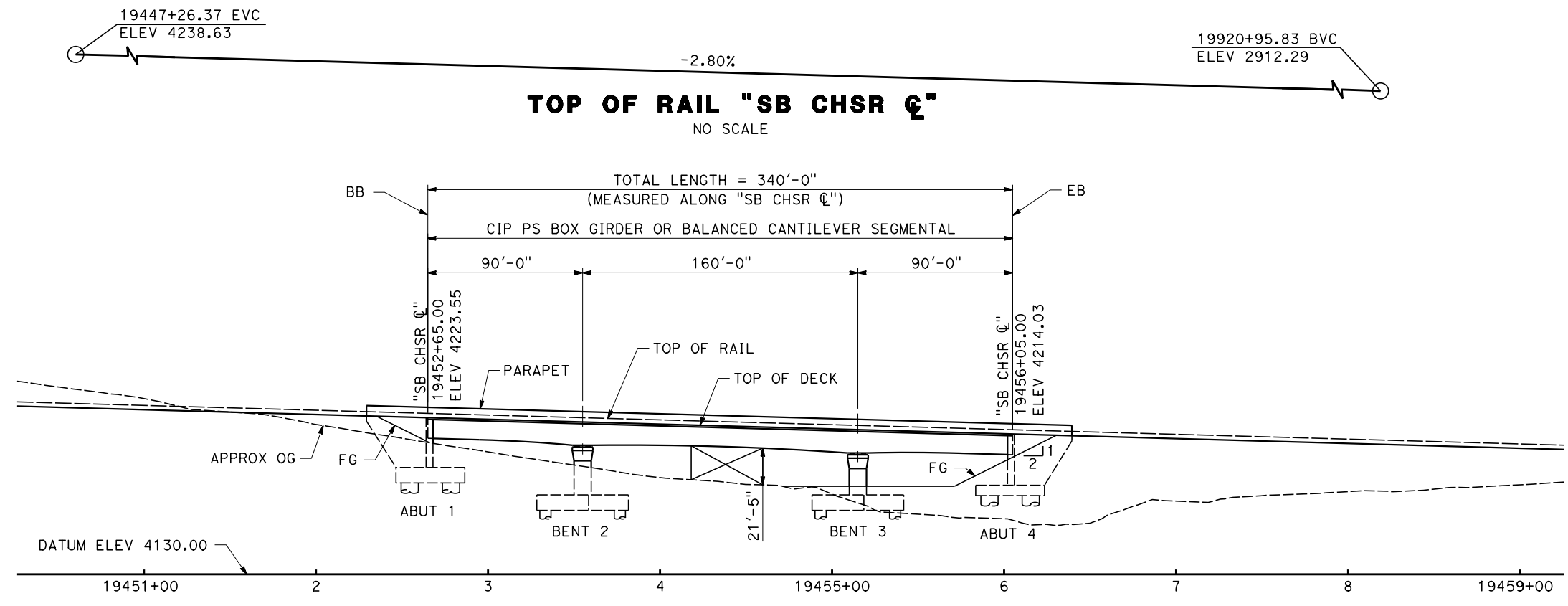
CONTRACT NO.
HSR13-44

DRAWING NO.
ST-J1134

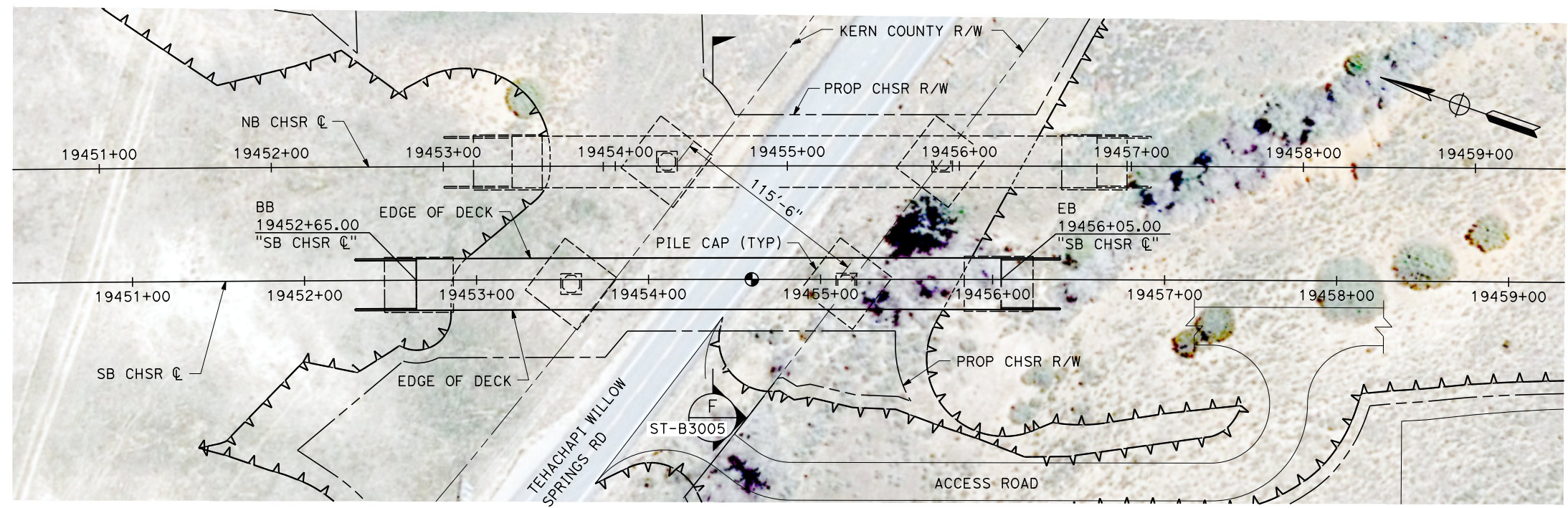
SCALE
AS SHOWN

SHEET NO.

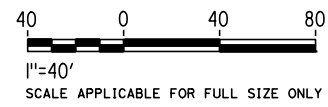
Projects\701206_00_CHSRBP\00_CADD\Sheet_Files\ST\BP-ST-J1135.dgn
10/30/2017 11:12:23 AM TYLIN\Wang



ELEVATION
SCALE 1" = 40'



PLAN
SCALE 1" = 40'

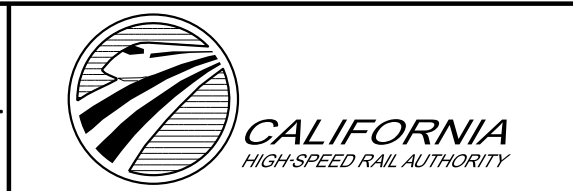


REV	DATE	BY	CHK	APP	DESCRIPTION

DESIGNED BY
ROBERT BARTON
DRAWN BY
YIHONG WANG
CHECKED BY
R. GOLCHOBIAN
IN CHARGE
STEVE SMITH
DATE
10/31/2017

**RECORD
PEPD
SUBMITTAL**

**NOT FOR
CONSTRUCTION**



CALIFORNIA HIGH-SPEED RAIL PROJECT
BAKERSFIELD TO PALMDALE
ALTERNATIVE 3
TRACK STRUCTURES
TEHACHAPI WILLOW SPRINGS ROAD SOUTH UNDERPASS-4
PLAN AND ELEVATION

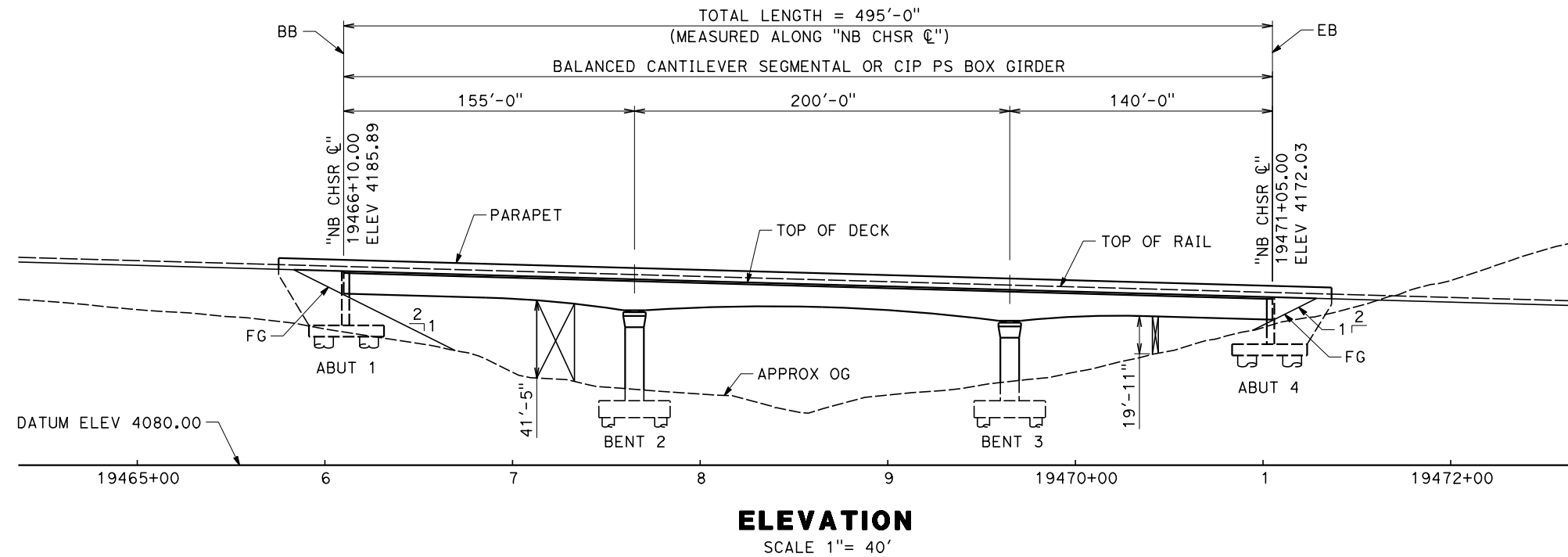
CONTRACT NO.
HSR13-44
DRAWING NO.
ST-J1135
SCALE
AS SHOWN
SHEET NO.

19920+95.83 BVC
Elev 2912.29

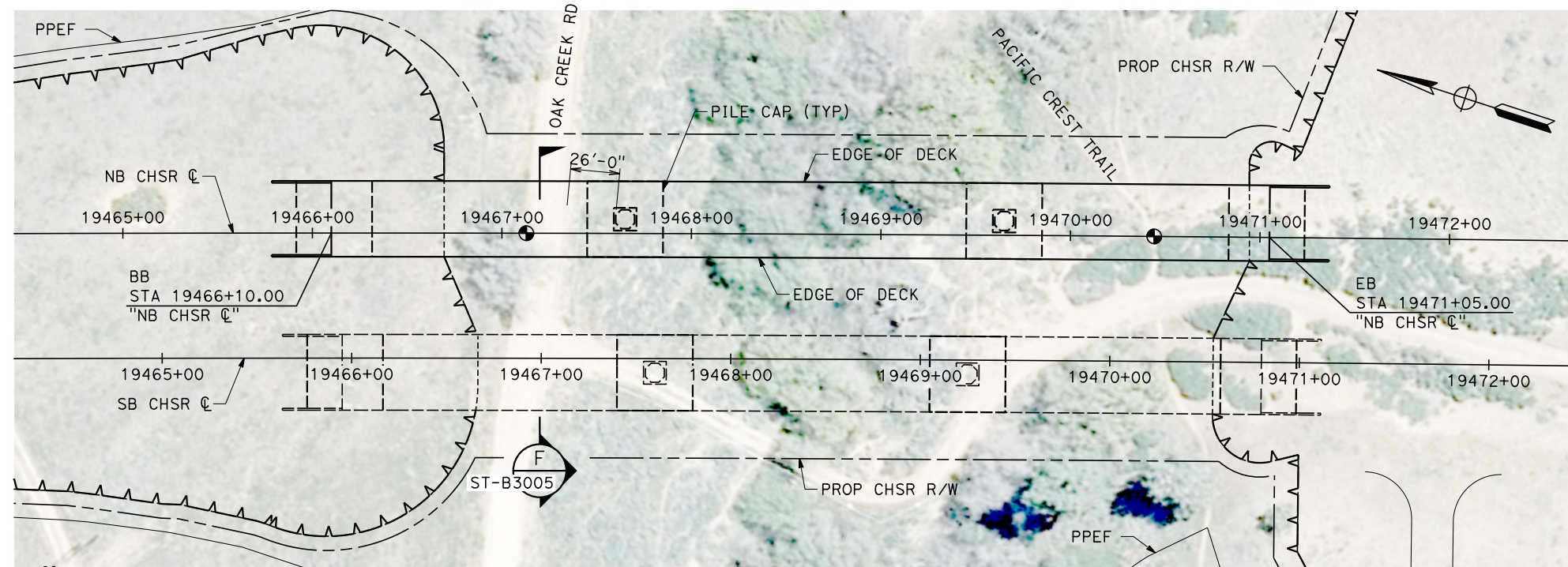
-2.80%

19447+26.37 EVC
Elev 4238.63

TOP OF RAIL "NB CHSR ☐"
NO SCALE



ELEVATION
SCALE 1"= 40'



PLAN
SCALE 1"= 40'

40 0 40 80
1"=40'
SCALE APPLICABLE FOR FULL SIZE ONLY

Projects\701206_00_CHSRBP\00_CADD\Sheet_Files\ST\BP-ST-J1136.dgn
10/30/2017 11:14:52 AM
TYLIN\Wang

REV	DATE	BY	CHK	APP	DESCRIPTION

DESIGNED BY
ROBERT BARTON
DRAWN BY
IVAN MARTIN
CHECKED BY
R. GOLCHOBIAN
IN CHARGE
STEVE SMITH
DATE
10/31/2017

**RECORD
PEPD
SUBMITTAL**

**NOT FOR
CONSTRUCTION**

TYLIN INTERNATIONAL



CALIFORNIA HIGH-SPEED RAIL PROJECT
BAKERSFIELD TO PALMDALE
ALTERNATIVE 3
TRACK STRUCTURES
PACIFIC CREST TRAIL NORTH UNDERPASS
PLAN AND ELEVATION

CONTRACT NO.
HSR13-44
DRAWING NO.
ST-J1136
SCALE
AS SHOWN
SHEET NO.

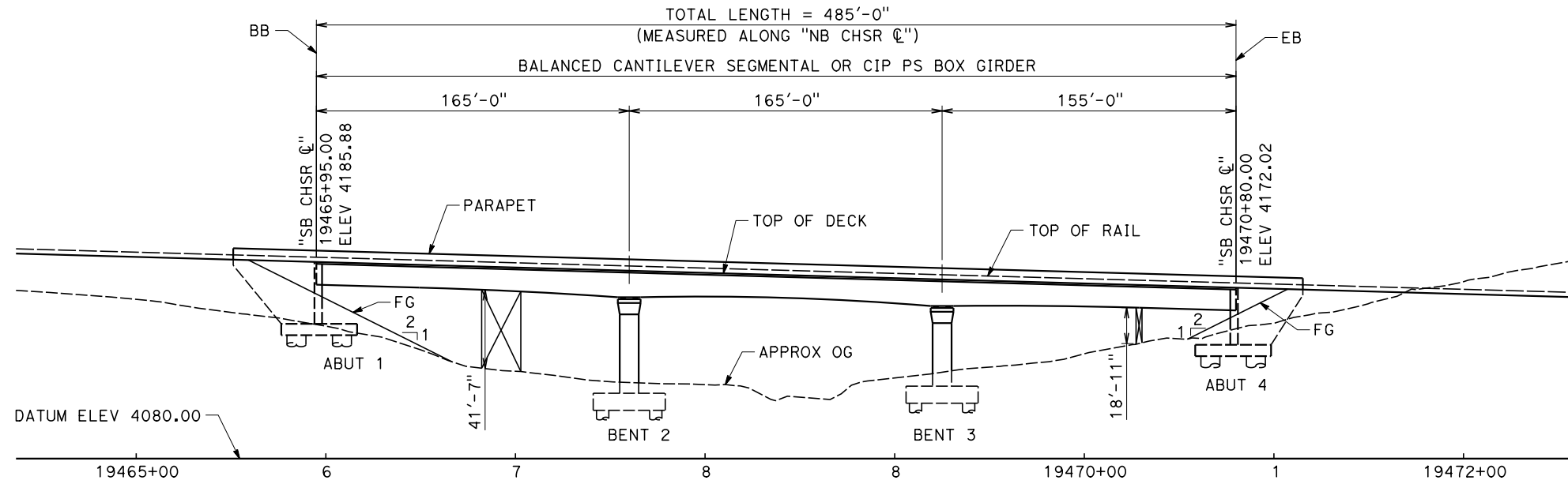
19920+95.83 BVC
Elev 2912.29

-2.80%

19447+26.37 EVC
Elev 4238.63

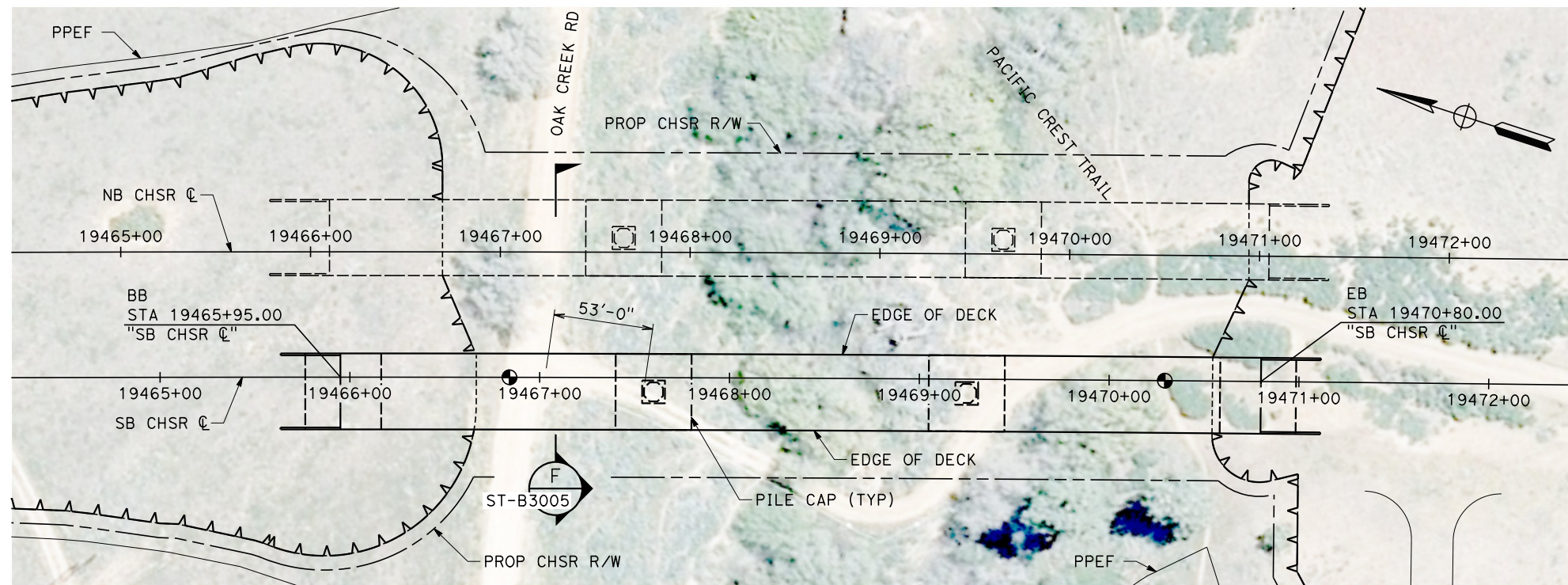
TOP OF RAIL "SB CHSR ☐"

NO SCALE



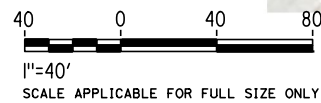
ELEVATION

SCALE 1"= 40'



PLAN

SCALE 1"= 40'



Projects\701206_00_CHSRBP\00_CADD\Sheet Files\ST\BP-ST-J1137.dgn

10/30/2017 11:20:39 AM

TYLIN\Wang

REV	DATE	BY	CHK	APP	DESCRIPTION

DESIGNED BY
ROBERT BARTON
DRAWN BY
IVAN MARTIN
CHECKED BY
R. GOLCHOBIAN
IN CHARGE
STEVE SMITH
DATE
10/31/2017

**RECORD
PEPD
SUBMITTAL**

**NOT FOR
CONSTRUCTION**

TYLIN INTERNATIONAL



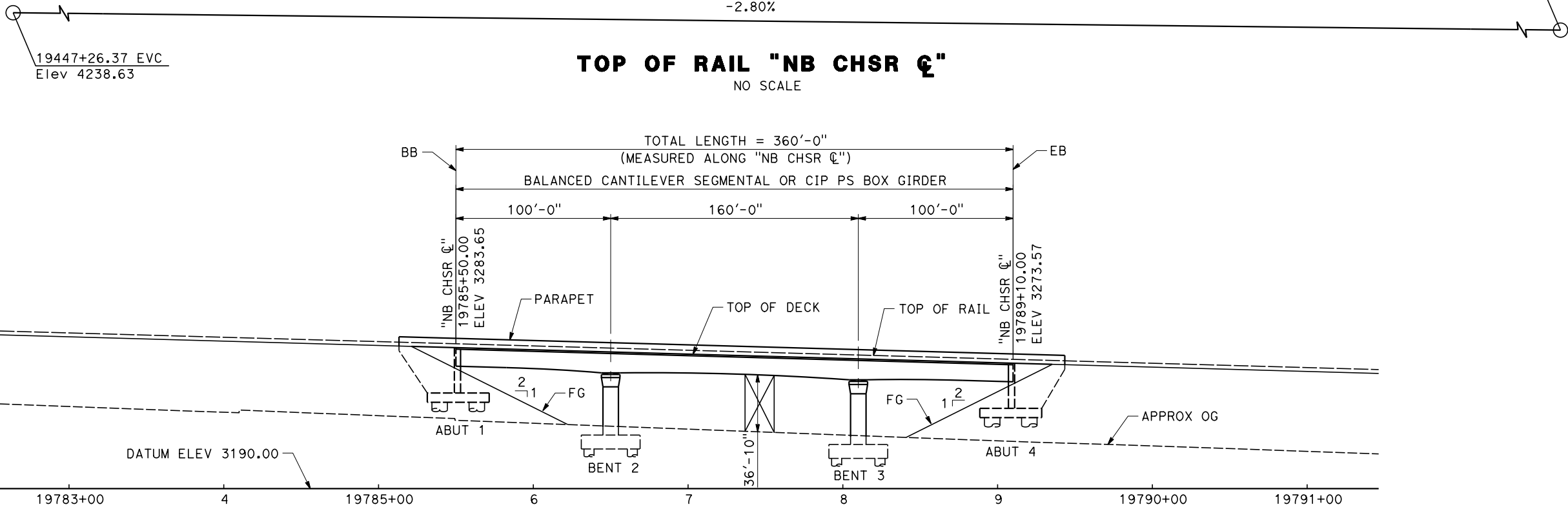
**CALIFORNIA HIGH-SPEED RAIL PROJECT
BAKERSFIELD TO PALMDALE**

ALTERNATIVE 3
TRACK STRUCTURES
PACIFIC CREST TRAIL SOUTH UNDERPASS
PLAN AND ELEVATION

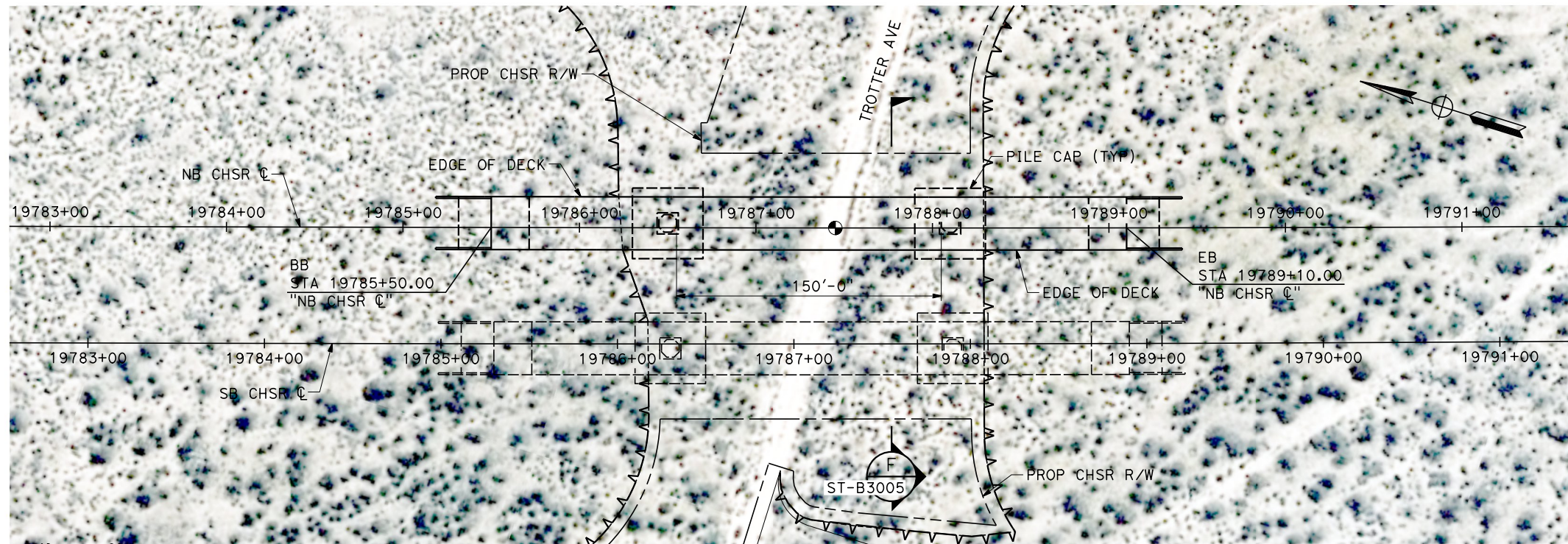
CONTRACT NO.
HSR13-44
DRAWING NO.
ST-J1137
SCALE
AS SHOWN
SHEET NO.

19920+95.83 BVC
Elev 2912.29

-2.80%



ELEVATION
SCALE 1" = 40'



PLAN
SCALE 1" = 40'

40 0 40 80
1"=40'
SCALE APPLICABLE FOR FULL SIZE ONLY

Projects\701206_00_CHSRBP\00_CADD\Sheet Files\ST\BP-ST-J1138.dgn

10/30/2017 11:16:18 AM

TYLIN\Wang

REV	DATE	BY	CHK	APP	DESCRIPTION

DESIGNED BY
ROBERT BARTON

DRAWN BY
IVAN MARTIN

CHECKED BY
R. GOLCHOBIAN

IN CHARGE
STEVE SMITH

DATE
10/31/2017

**RECORD
PEPD
SUBMITTAL**

**NOT FOR
CONSTRUCTION**

TYLIN INTERNATIONAL



CALIFORNIA HIGH-SPEED RAIL PROJECT
BAKERSFIELD TO PALMDALE
ALTERNATIVE 3
TROTTER AVENUE NORTH UNDERPASS
PLAN AND ELEVATION

CONTRACT NO.
HSR13-44

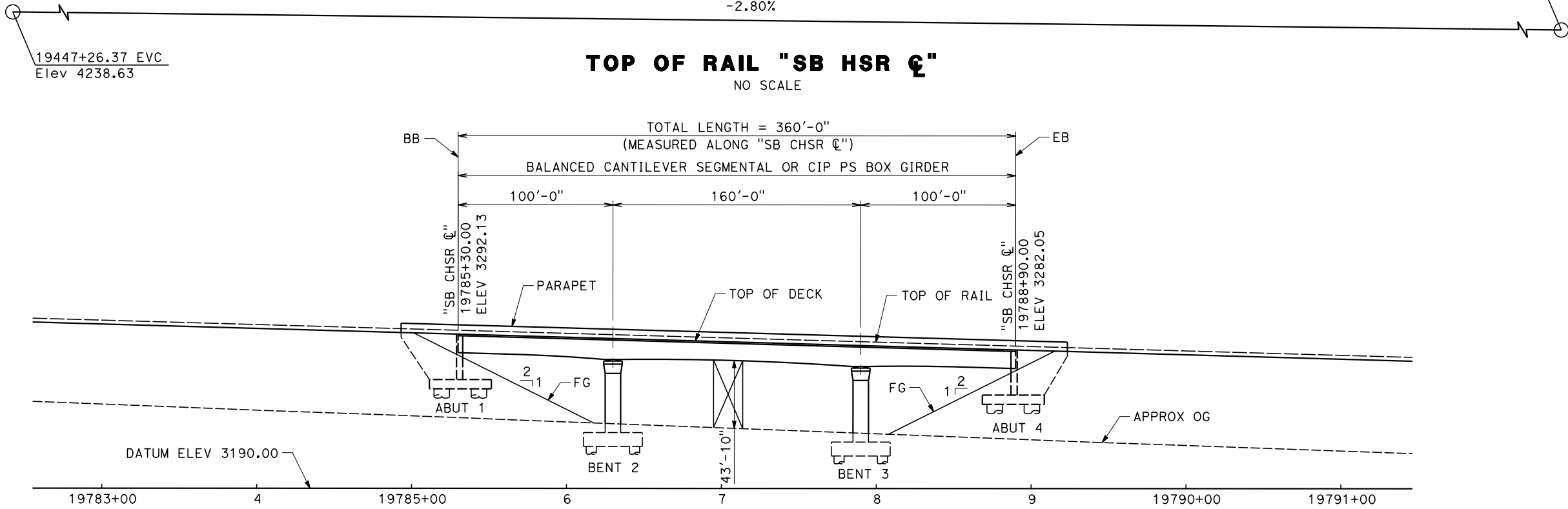
DRAWING NO.
ST-J1138

SCALE
AS SHOWN

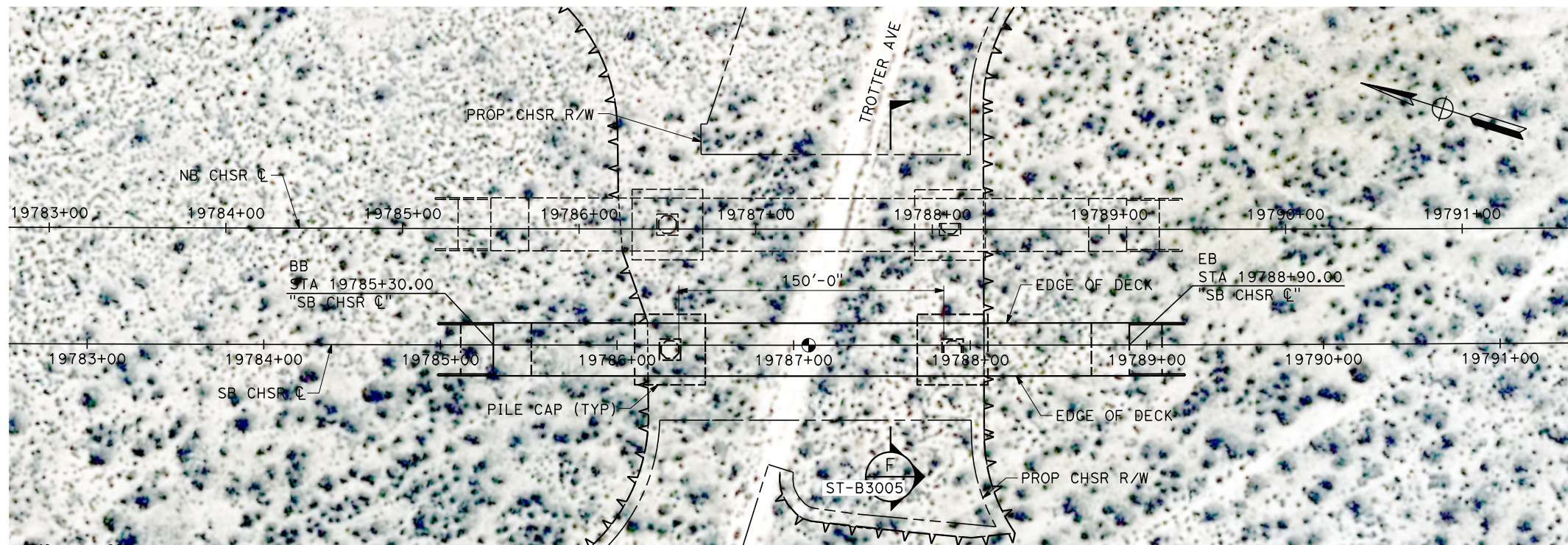
SHEET NO.

19920+95.83 BVC
Elev 2912.29

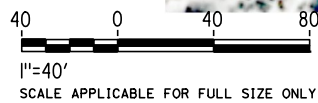
-2.80%



ELEVATION
SCALE 1" = 40'



PLAN
SCALE 1" = 40'



Projects\701206_00_CHSRBP\00_CADD\Sheet Files\ST\BP-ST-J1139.dgn 10/30/2017 11:15:49 AM TYLIN\Wang

REV	DATE	BY	CHK	APP	DESCRIPTION

DESIGNED BY
ROBERT BARTON

DRAWN BY
IVAN MARTIN

CHECKED BY
R. GOLCHOBIAN

IN CHARGE
STEVE SMITH

DATE
10/31/2017

**RECORD
PEPD
SUBMITTAL**

**NOT FOR
CONSTRUCTION**

TYLIN INTERNATIONAL



CALIFORNIA HIGH-SPEED RAIL PROJECT
BAKERSFIELD TO PALMDALE

ALTERNATIVE 3
TRACK STRUCTURES
TROTTER AVENUE SOUTH UNDERPASS
PLAN AND ELEVATION

CONTRACT NO.
HSR13-44

DRAWING NO.
ST-J1139

SCALE
AS SHOWN

SHEET NO.

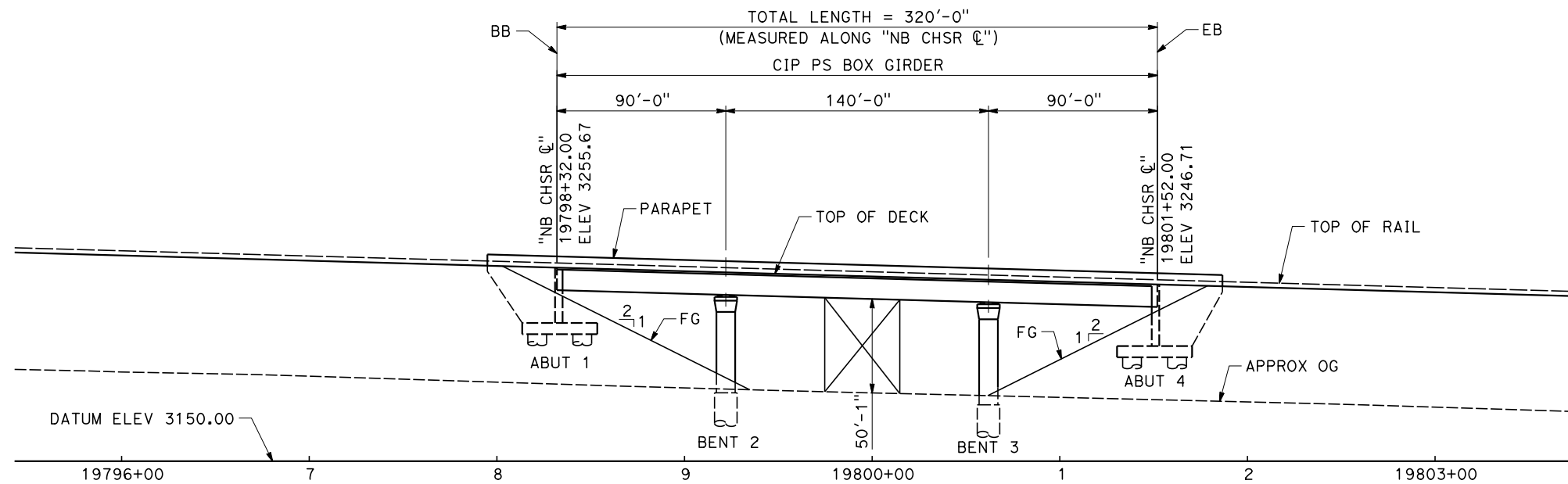
19920+92.83 BVC
Elev 2912.29

-2.80%

19447+26.37 EVC
Elev 4238.63

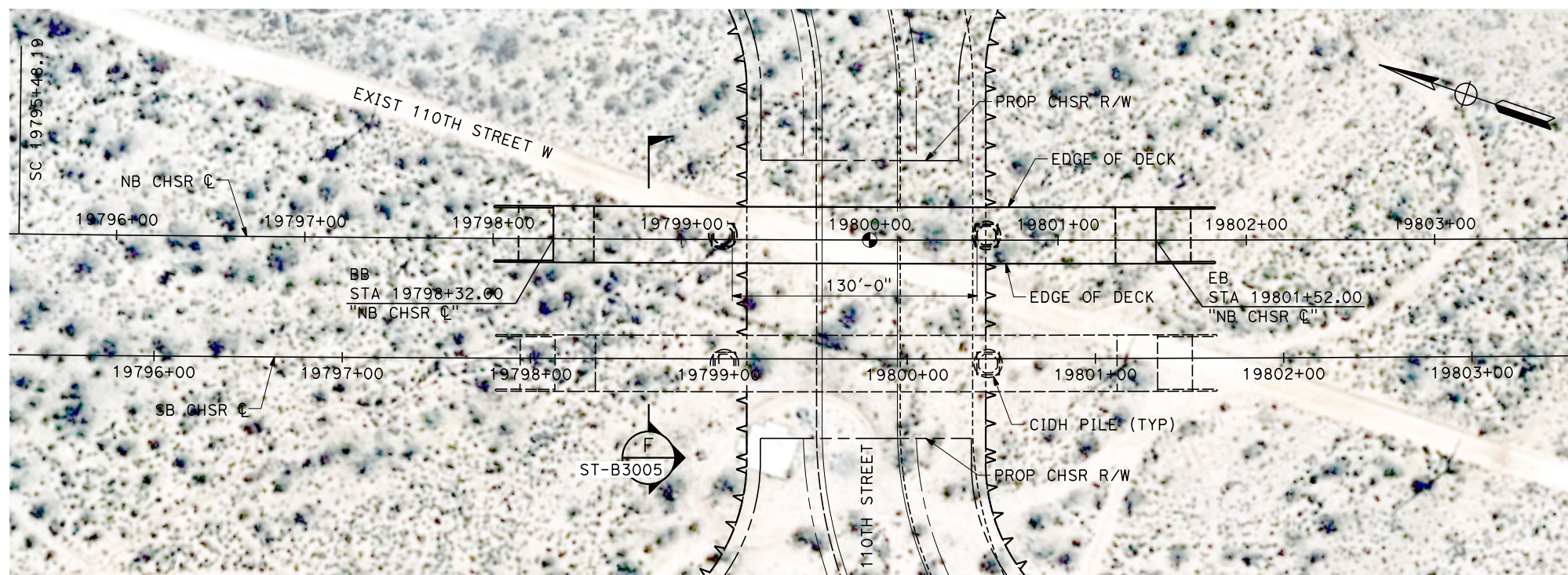
TOP OF RAIL "NB CHSR ☉"

NO SCALE



ELEVATION

SCALE 1" = 40'



PLAN

SCALE 1" = 40'

40 0 40 80
1"=40'
SCALE APPLICABLE FOR FULL SIZE ONLY

Projects\701206_00_CHSRBP\00_CADD\Sheet Files\ST\BP-ST-J1140.dgn
11:14:42 AM
10/30/2017
TYLIN\Wang

REV	DATE	BY	CHK	APP	DESCRIPTION

DESIGNED BY
ROBERT BARTON
DRAWN BY
IVAN MARTIN
CHECKED BY
R. GOLCHOBIAN
IN CHARGE
STEVE SMITH
DATE
10/31/2017

**RECORD
PEPD
SUBMITTAL**

**NOT FOR
CONSTRUCTION**

TYLIN INTERNATIONAL



**CALIFORNIA HIGH-SPEED RAIL PROJECT
BAKERSFIELD TO PALMDALE**

ALTERNATIVE 3
TRACK STRUCTURES
110TH STREET NORTH UNDERPASS
PLAN AND ELEVATION

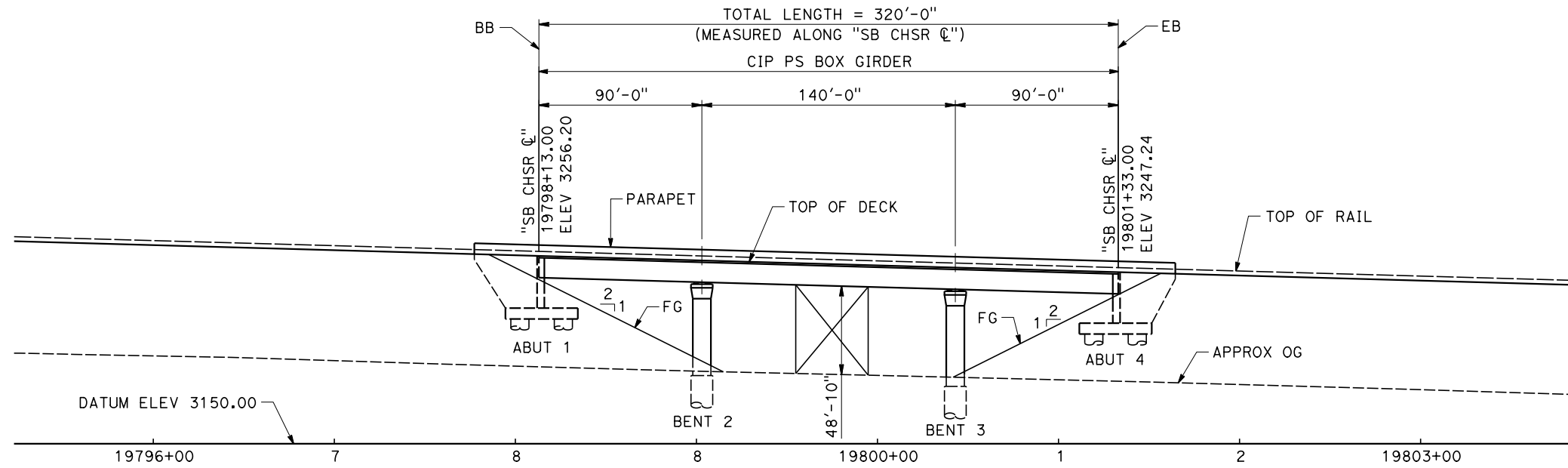
CONTRACT NO.
HSR13-44
DRAWING NO.
ST-J1140
SCALE
AS SHOWN
SHEET NO.

19920+95.83 BVC
Elev 2912.29

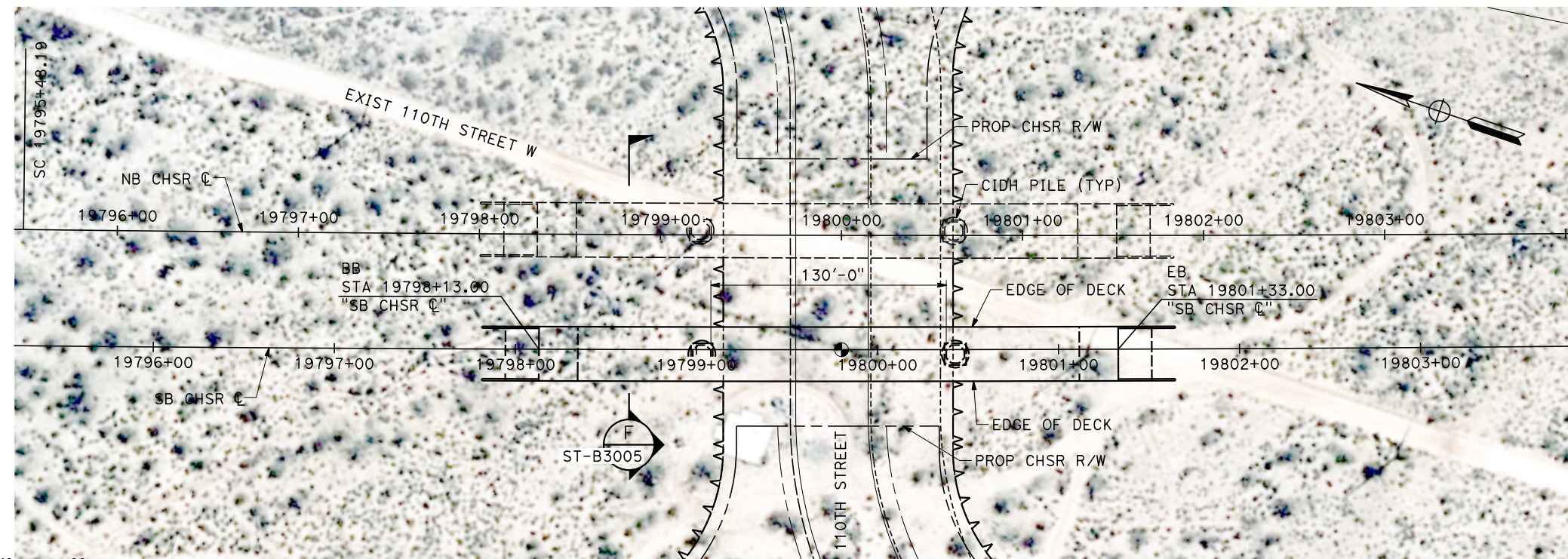
-2.80%

19447+26.37 EVC
Elev 4238.63

TOP OF RAIL "SB CHSR ☉"
NO SCALE



ELEVATION
SCALE 1"= 40'



PLAN
SCALE 1"= 40'

Projects\701206_00_CHSRBP\00_CADD\Sheet Files\ST\BP-ST-J1141.dgn
11:14:46 AM
10/30/2017
TYLIN\Wang

40 0 40 80
1"=40'
SCALE APPLICABLE FOR FULL SIZE ONLY

REV	DATE	BY	CHK	APP	DESCRIPTION

DESIGNED BY
ROBERT BARTON
DRAWN BY
IVAN MARTIN
CHECKED BY
R. GOLCHOBIAN
IN CHARGE
STEVE SMITH
DATE
10/31/2017

**RECORD
PEPD
SUBMITTAL**

**NOT FOR
CONSTRUCTION**

TYLIN INTERNATIONAL



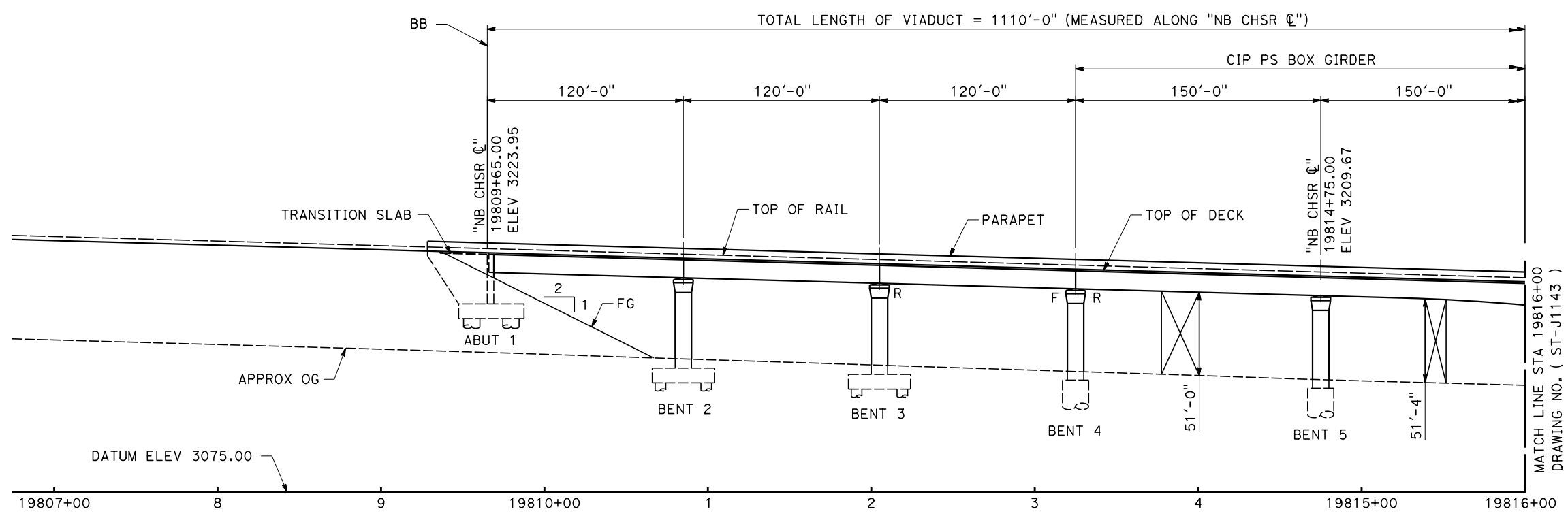
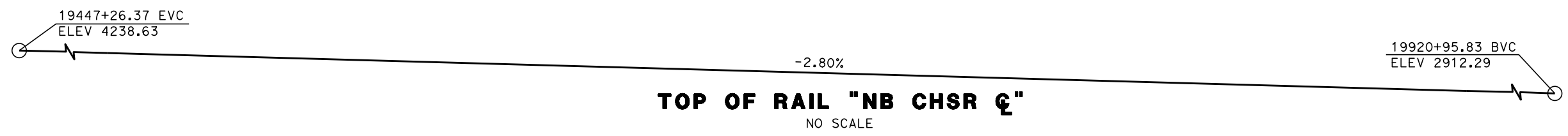
CALIFORNIA HIGH-SPEED RAIL PROJECT
BAKERSFIELD TO PALMDALE
ALTERNATIVE 3
TRACK STRUCTURES
110TH STREET SOUTH UNDERPASS
PLAN AND ELEVATION

CONTRACT NO.
HSR13-44
DRAWING NO.
ST-J1141
SCALE
AS SHOWN
SHEET NO.

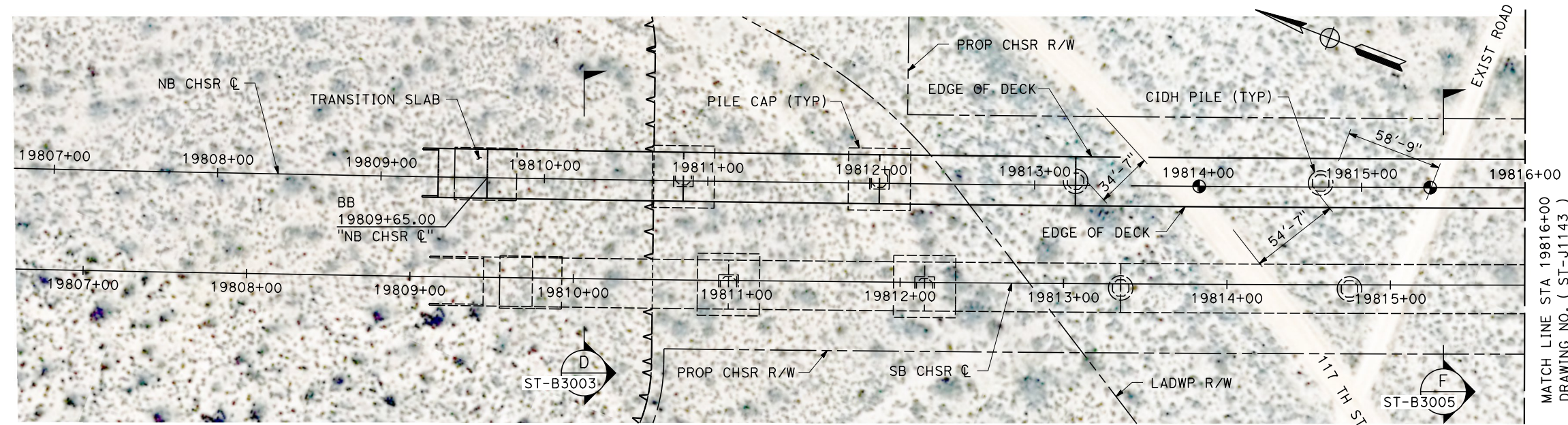
Projects\701206_00_CHSRBP\00_CADD\Sheet_Files\ST\BP-ST-J1142.dgn

10/30/2017 11:12:49 AM

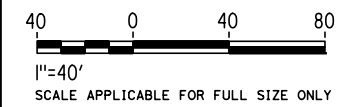
TYLIN\Wang



ELEVATION
SCALE 1" = 40'



PLAN
SCALE 1" = 40'



REV	DATE	BY	CHK	APP	DESCRIPTION

DESIGNED BY
ROBERT BARTON
DRAWN BY
YIHONG WANG
CHECKED BY
R. GOLCHOBIAN
IN CHARGE
STEVE SMITH
DATE
10/31/2017

**RECORD
PEPD
SUBMITTAL**

**NOT FOR
CONSTRUCTION**



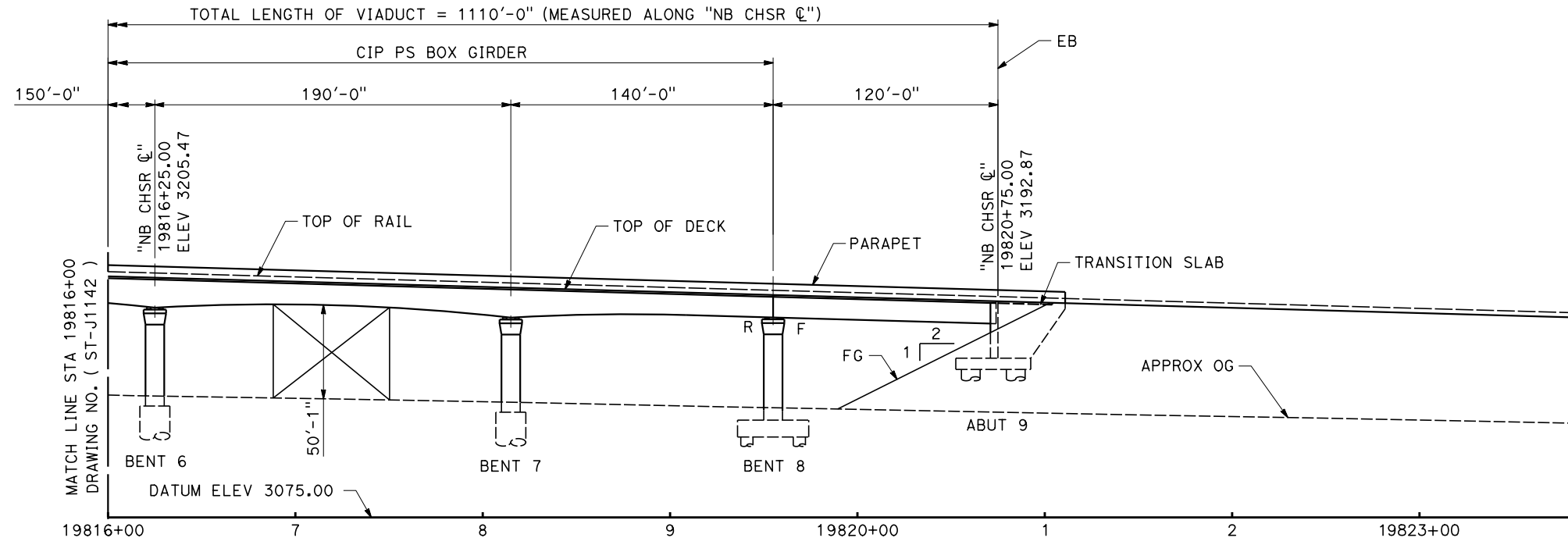
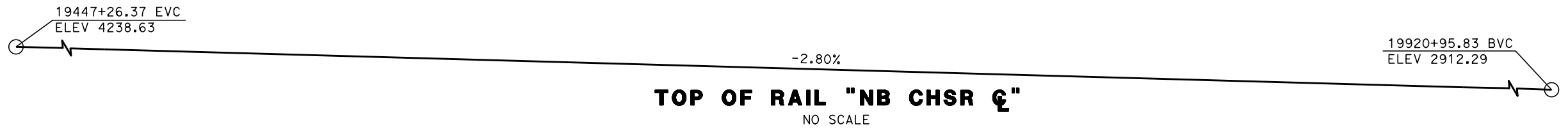
CALIFORNIA HIGH-SPEED RAIL PROJECT
BAKERSFIELD TO PALMDALE
ALTERNATIVE 3
TRACK STRUCTURES
AQUEDUCT ROAD NORTH VIADUCT
PLAN AND ELEVATION

CONTRACT NO.
HSR13-44
DRAWING NO.
ST-J1142
SCALE
AS SHOWN
SHEET NO.

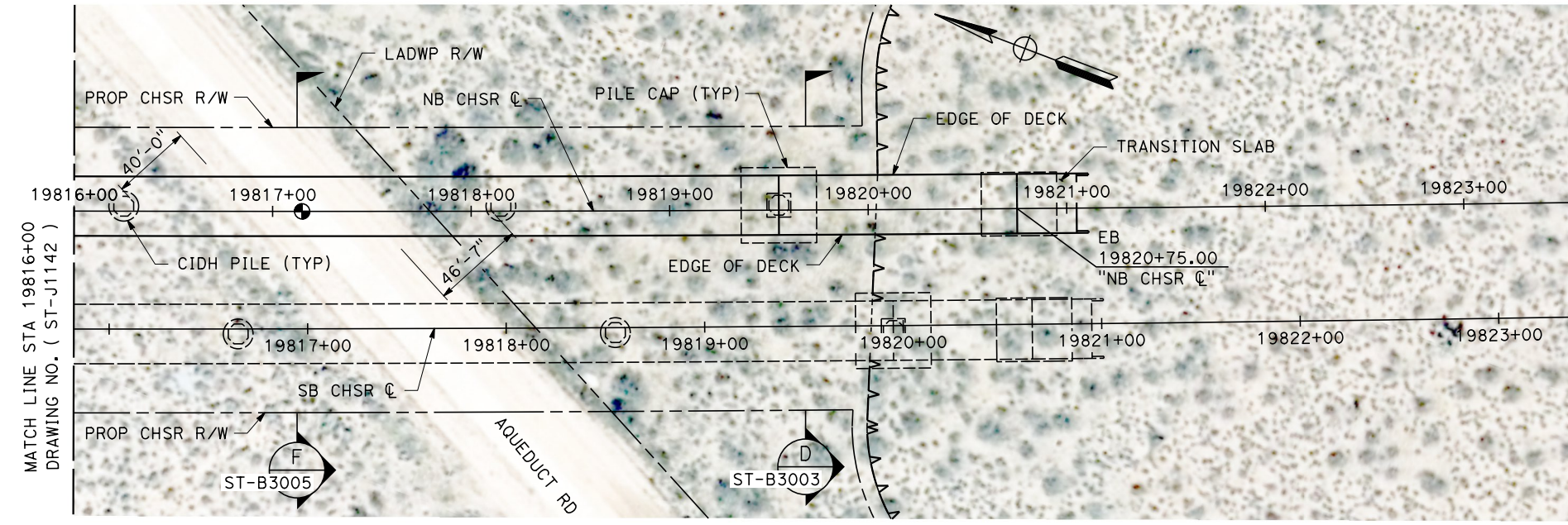
MATCH LINE STA 19816+00
DRAWING NO. (ST-J1143)

MATCH LINE STA 19816+00
DRAWING NO. (ST-J1143)

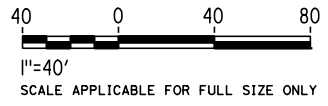
Projects\701206_00_CHSRBP\00_CADD\Sheet Files\ST\BP-ST-J1143.dgn
10/30/2017 11:16:25 AM
TYLIN\Wang



ELEVATION
SCALE 1" = 40'



PLAN
SCALE 1" = 40'



REV	DATE	BY	CHK	APP	DESCRIPTION

DESIGNED BY
ROBERT BARTON
DRAWN BY
YIHONG WANG
CHECKED BY
R. GOLCHOBIAN
IN CHARGE
STEVE SMITH
DATE
10/31/2017

**RECORD
PEPD
SUBMITTAL**

**NOT FOR
CONSTRUCTION**

TYLIN INTERNATIONAL



**CALIFORNIA HIGH-SPEED RAIL PROJECT
BAKERSFIELD TO PALMDALE**

ALTERNATIVE 3
TRACK STRUCTURES
AQUEDUCT ROAD NORTH VIADUCT
PLAN AND ELEVATION

CONTRACT NO.
HSR13-44

DRAWING NO.
ST-J1143

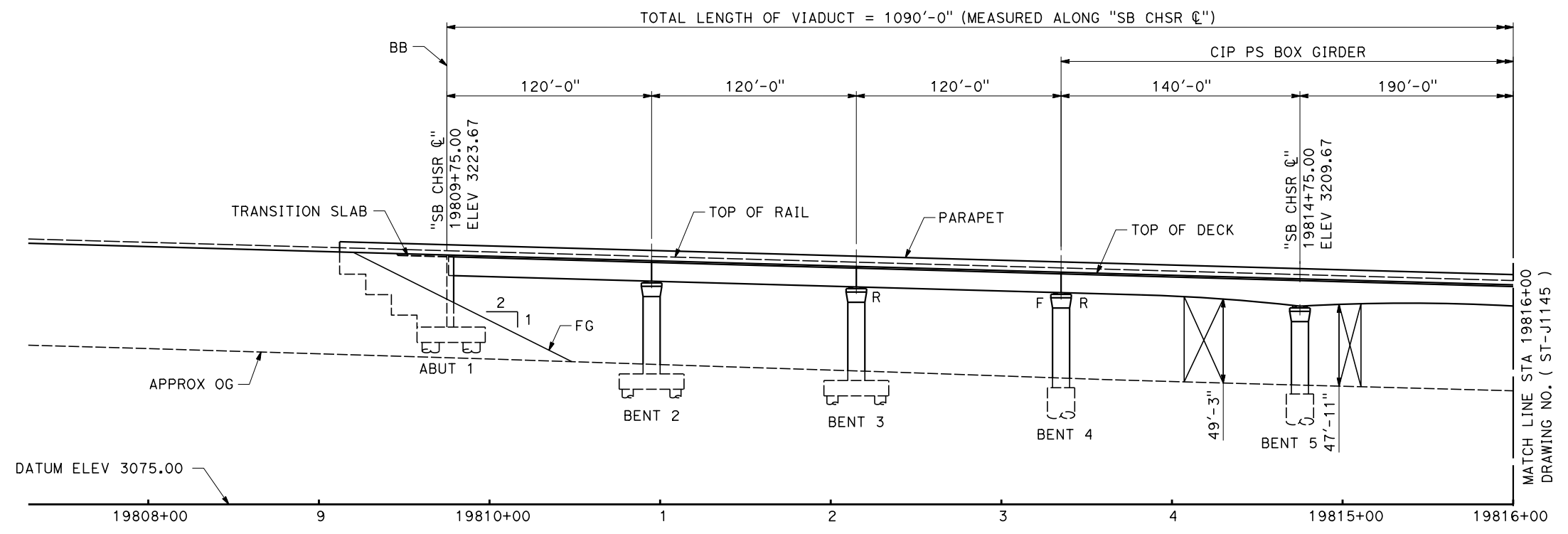
SCALE
AS SHOWN

SHEET NO.

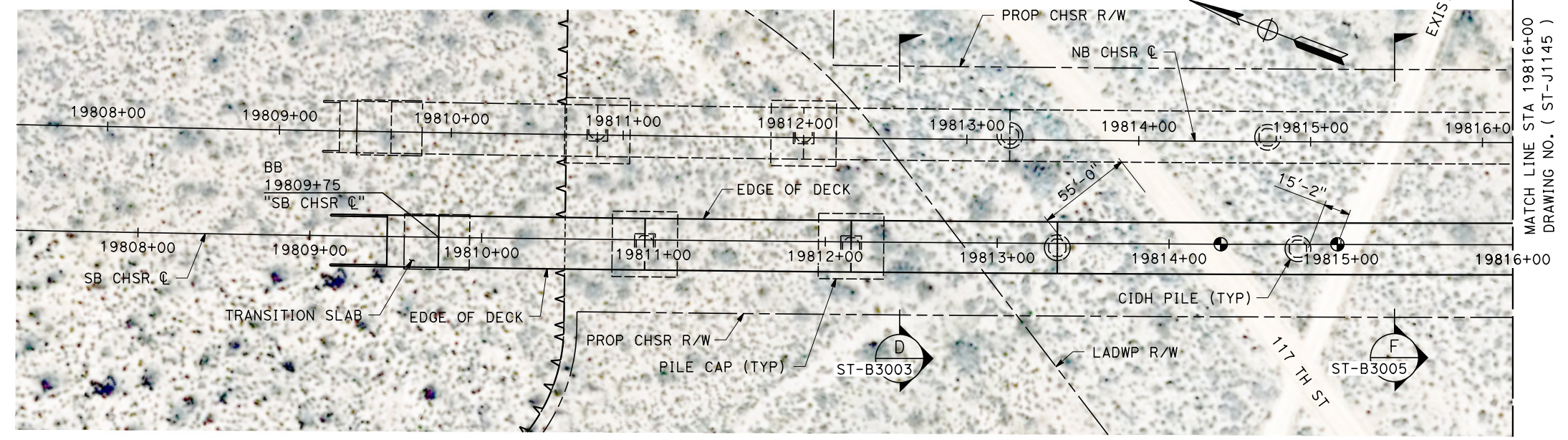
Projects\701206.00_CHSRBP\00_CADD\Sheet_Files\ST\BP-ST-J1144.dgn

10/30/2017 11:12:15 AM

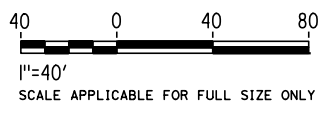
TYLIN\Wang



ELEVATION
SCALE 1" = 40'



PLAN
SCALE 1" = 40'



REV	DATE	BY	CHK	APP	DESCRIPTION

DESIGNED BY
ROBERT BARTON
DRAWN BY
YIHONG WANG
CHECKED BY
R. GOLCHOBIAN
IN CHARGE
STEVE SMITH
DATE
10/31/2017

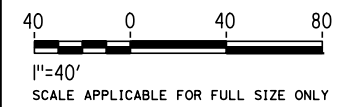
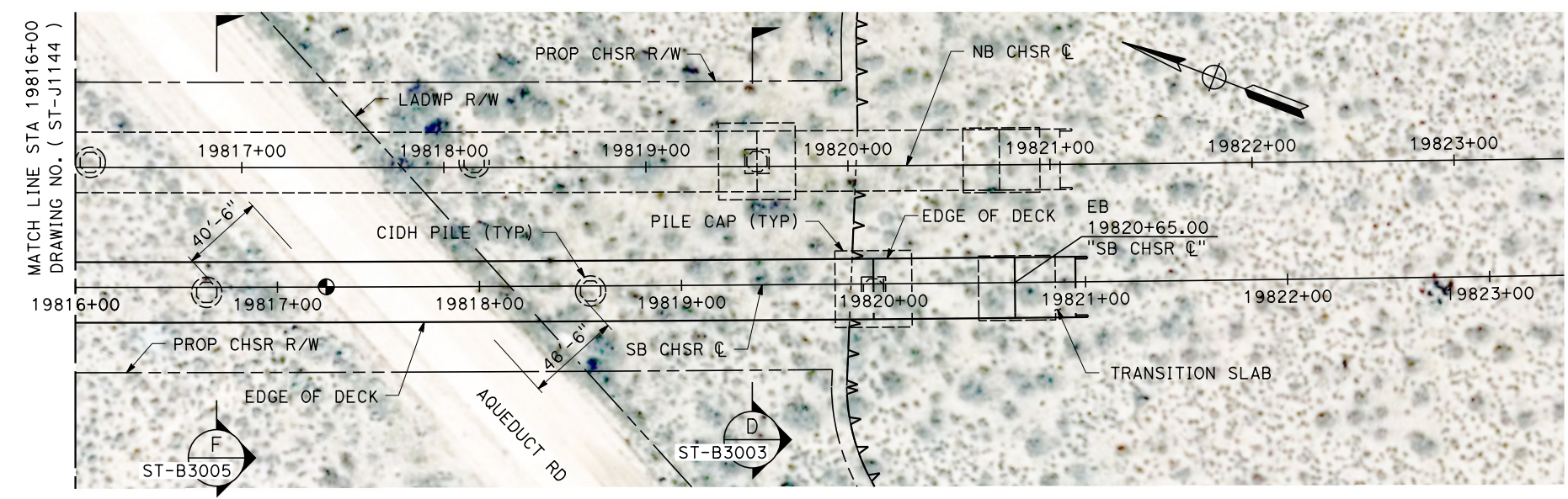
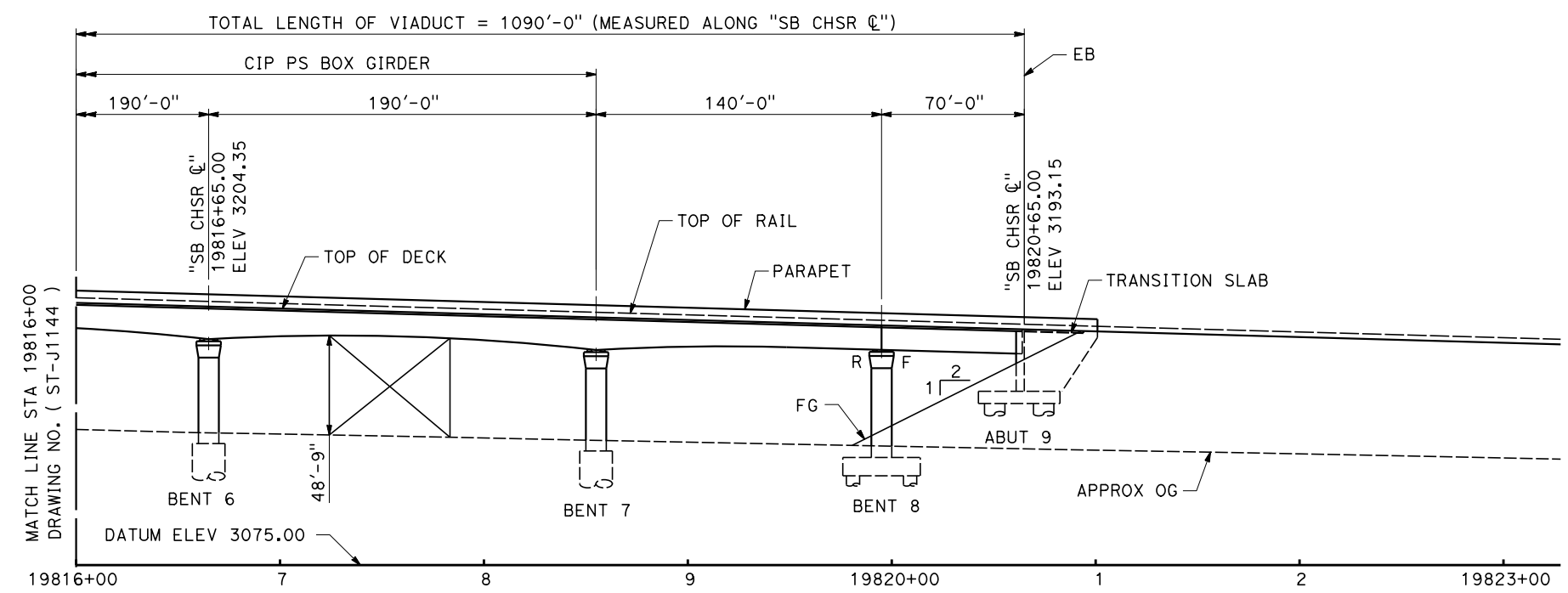
**RECORD
PEPD
SUBMITTAL**

**NOT FOR
CONSTRUCTION**



CALIFORNIA HIGH-SPEED RAIL PROJECT
BAKERSFIELD TO PALMDALE
ALTERNATIVE 3
TRACK STRUCTURES
AQUEDUCT ROAD SOUTH VIADUCT
PLAN AND ELEVATION

CONTRACT NO.
HSR13-44
DRAWING NO.
ST-J1144
SCALE
AS SHOWN
SHEET NO.



Projects\701206_00_CHSRBP\00_CADD\Sheet_Files\ST\BP-ST-J1145.dgn
11:16:02 AM
10/30/2017
TYLIN\Wang

REV	DATE	BY	CHK	APP	DESCRIPTION

DESIGNED BY
ROBERT BARTON
DRAWN BY
YIHONG WANG
CHECKED BY
R. GOLCHOBIAN
IN CHARGE
STEVE SMITH
DATE
10/31/2017

**RECORD
PEPD
SUBMITTAL**

**NOT FOR
CONSTRUCTION**

TYLIN INTERNATIONAL



**CALIFORNIA HIGH-SPEED RAIL PROJECT
BAKERSFIELD TO PALMDALE**

ALTERNATIVE 3
TRACK STRUCTURES
AQUEDUCT ROAD SOUTH VIADUCT
PLAN AND ELEVATION

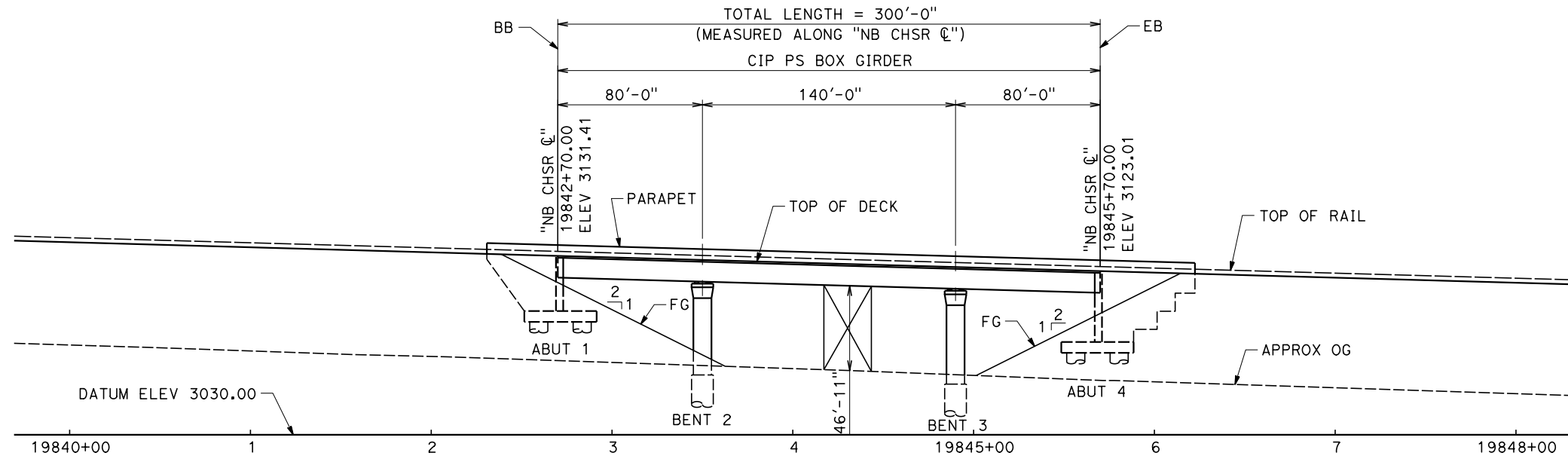
CONTRACT NO.
HSR13-44
DRAWING NO.
ST-J1145
SCALE
AS SHOWN
SHEET NO.

19920+95.83 BVC
Elev 2912.29

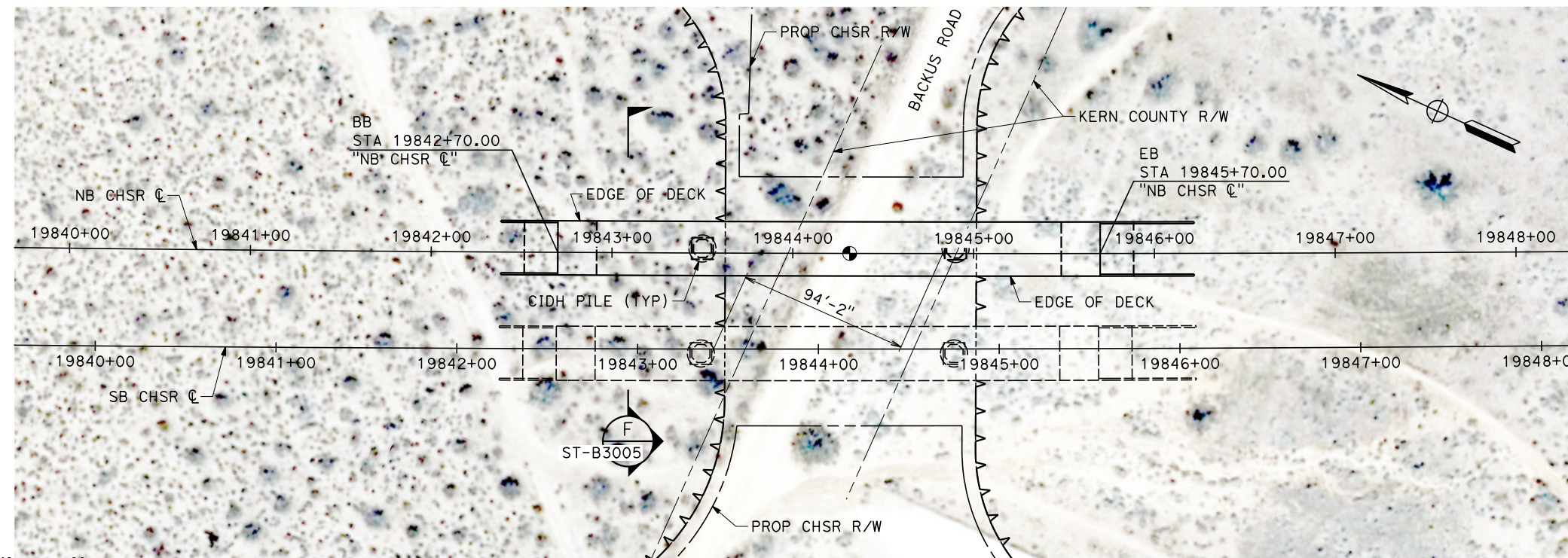
-2.80%

19447+26.37 EVC
Elev 4238.63

TOP OF RAIL "NB CHSR C"
NO SCALE



ELEVATION
SCALE 1" = 40'



PLAN
SCALE 1" = 40'

Projects\701206_00_CHSRBP\00_CADD\Sheet Files\ST\BP-ST-J1146.dgn
11:20:27 AM
10/30/2017
TYLIN\Wang

40 0 40 80
1"=40'
SCALE APPLICABLE FOR FULL SIZE ONLY

REV	DATE	BY	CHK	APP	DESCRIPTION

DESIGNED BY
ROBERT BARTON
DRAWN BY
IVAN MARTIN
CHECKED BY
R. GOLCHOBIAN
IN CHARGE
STEVE SMITH
DATE
10/31/2017

**RECORD
PEPD
SUBMITTAL**

**NOT FOR
CONSTRUCTION**

TYLIN INTERNATIONAL



CALIFORNIA HIGH-SPEED RAIL PROJECT
BAKERSFIELD TO PALMDALE
ALTERNATIVE 3
TRACK STRUCTURES
BACKUS ROAD NORTH UNDERPASS
PLAN AND ELEVATION

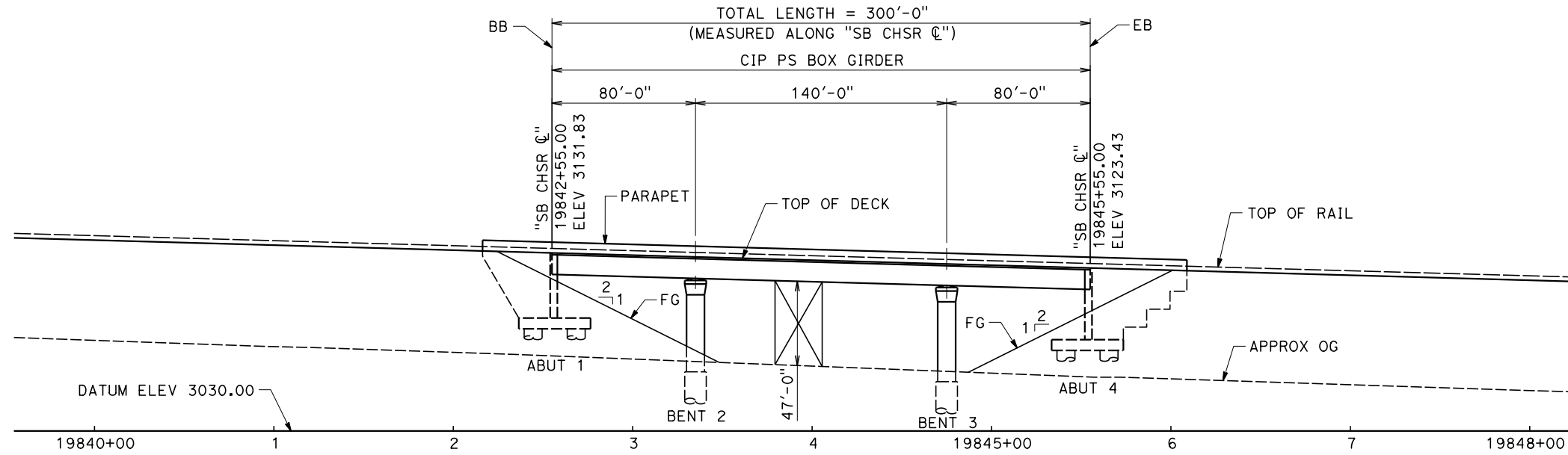
CONTRACT NO.
HSR13-44
DRAWING NO.
ST-J1146
SCALE
AS SHOWN
SHEET NO.

19920+95.83 BVC
Elev 2912.29

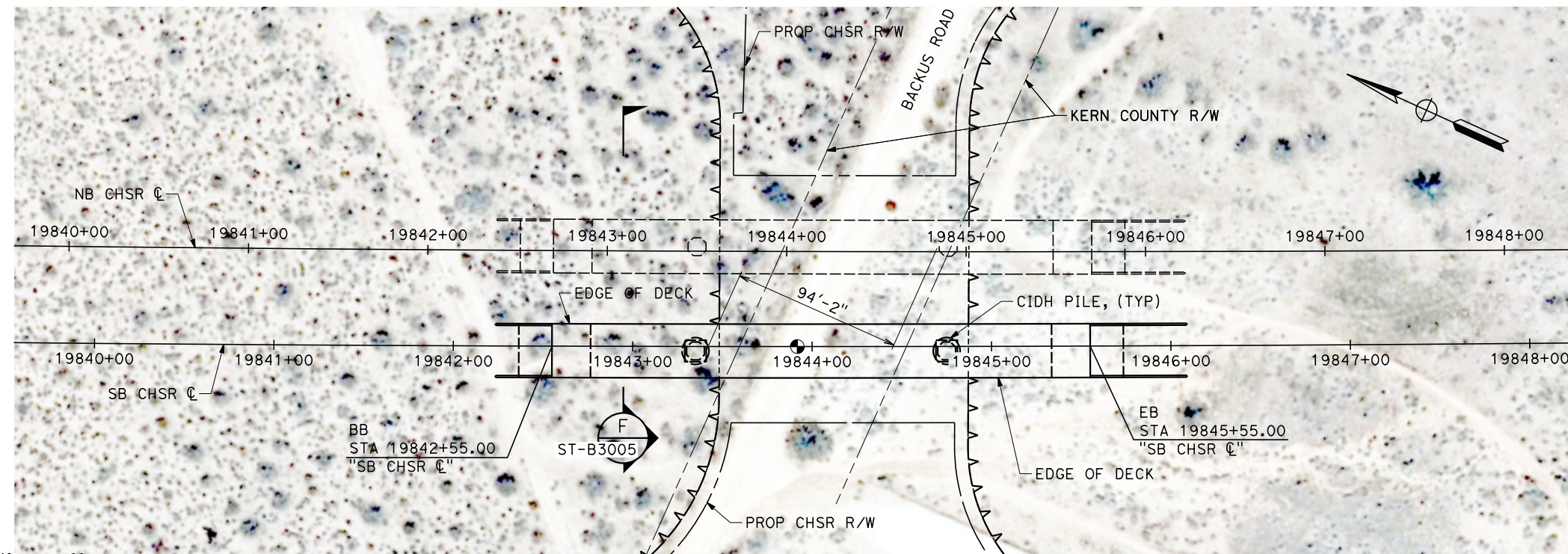
-2.80%

19447+26.37 EVC
Elev 4238.63

TOP OF RAIL "SB CHSR ☉"
NO SCALE

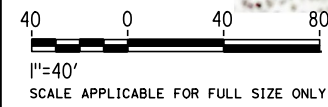


ELEVATION
SCALE 1" = 40'



PLAN
SCALE 1" = 40'

Projects\701206_00_CHSRBP\00_CADD\Sheet Files\ST\BP-ST-J1147.dgn
10/30/2017 11:23:37 AM
TYLIN\Wang



REV	DATE	BY	CHK	APP	DESCRIPTION

DESIGNED BY
ROBERT BARTON
DRAWN BY
IVAN MARTIN
CHECKED BY
R. GOLCHOBIAN
IN CHARGE
STEVE SMITH
DATE
10/31/2017

**RECORD
PEPD
SUBMITTAL**

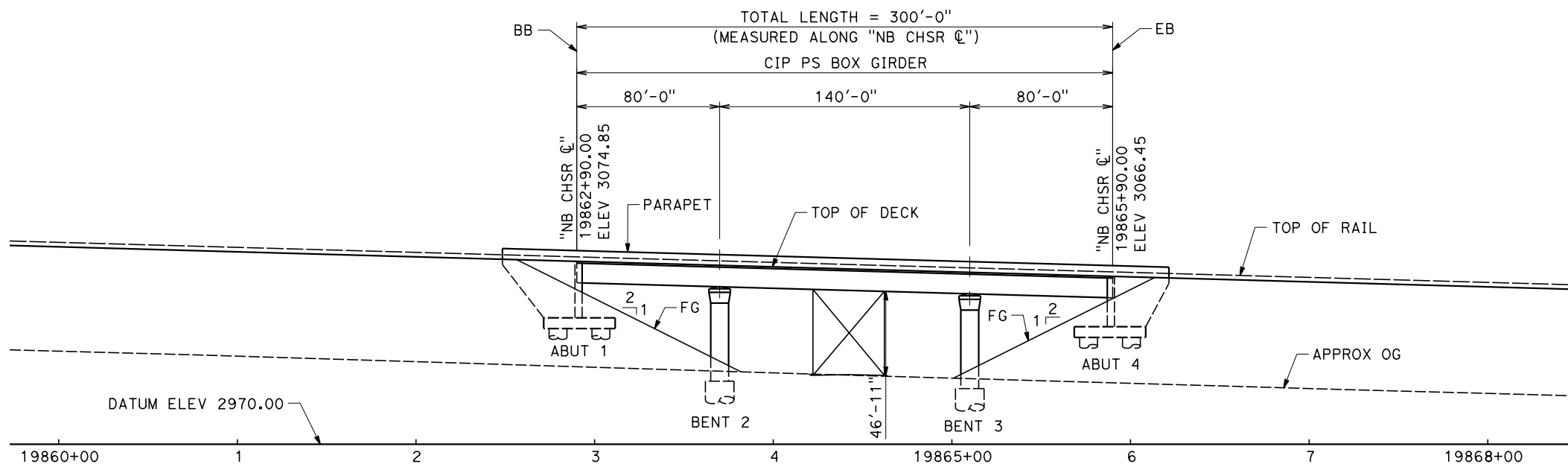
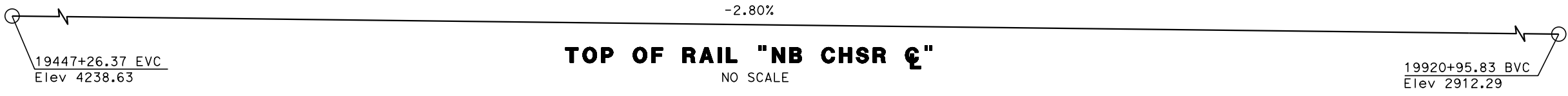
**NOT FOR
CONSTRUCTION**

TYLIN INTERNATIONAL

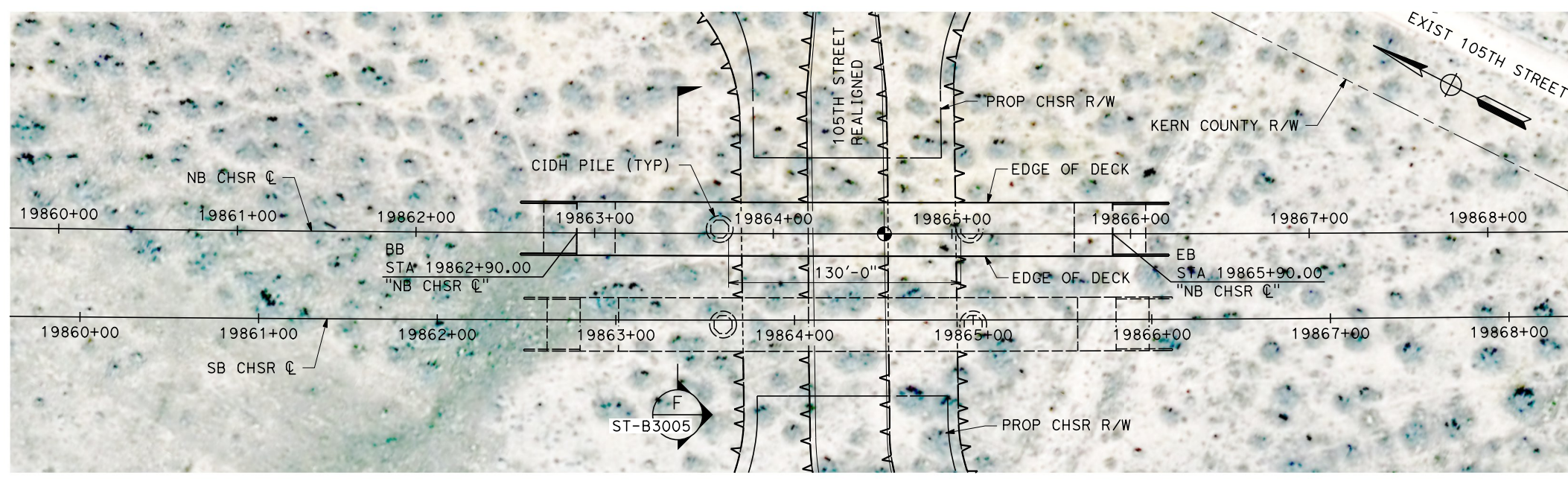


CALIFORNIA HIGH-SPEED RAIL PROJECT
BAKERSFIELD TO PALMDALE
ALTERNATIVE 3
TRACK STRUCTURES
BACKUS ROAD SOUTH UNDERPASS
PLAN AND ELEVATION

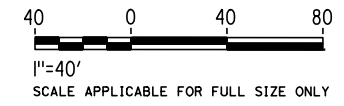
CONTRACT NO.
HSR13-44
DRAWING NO.
ST-J1147
SCALE
AS SHOWN
SHEET NO.



ELEVATION
SCALE 1" = 40'



PLAN
SCALE 1" = 40'



Projects\701206_00_CHSRBP\00_CADD\Sheet_Files\ST\BP-ST-J1148.dgn

10/30/2017 11:17:08 AM

TYLIN\Wang

REV	DATE	BY	CHK	APP	DESCRIPTION

DESIGNED BY
ROBERT BARTON
DRAWN BY
IVAN MARTIN
CHECKED BY
R. GOLCHOBIAN
IN CHARGE
STEVE SMITH
DATE
10/31/2017

**RECORD
PEPD
SUBMITTAL**

**NOT FOR
CONSTRUCTION**



**CALIFORNIA HIGH-SPEED RAIL PROJECT
BAKERSFIELD TO PALMDALE**

ALTERNATIVE 3
TRACK STRUCTURES
105TH STREET NORTH UNDERPASS
PLAN AND ELEVATION

CONTRACT NO.
HSR13-44
DRAWING NO.
ST-J1148
SCALE
AS SHOWN
SHEET NO.

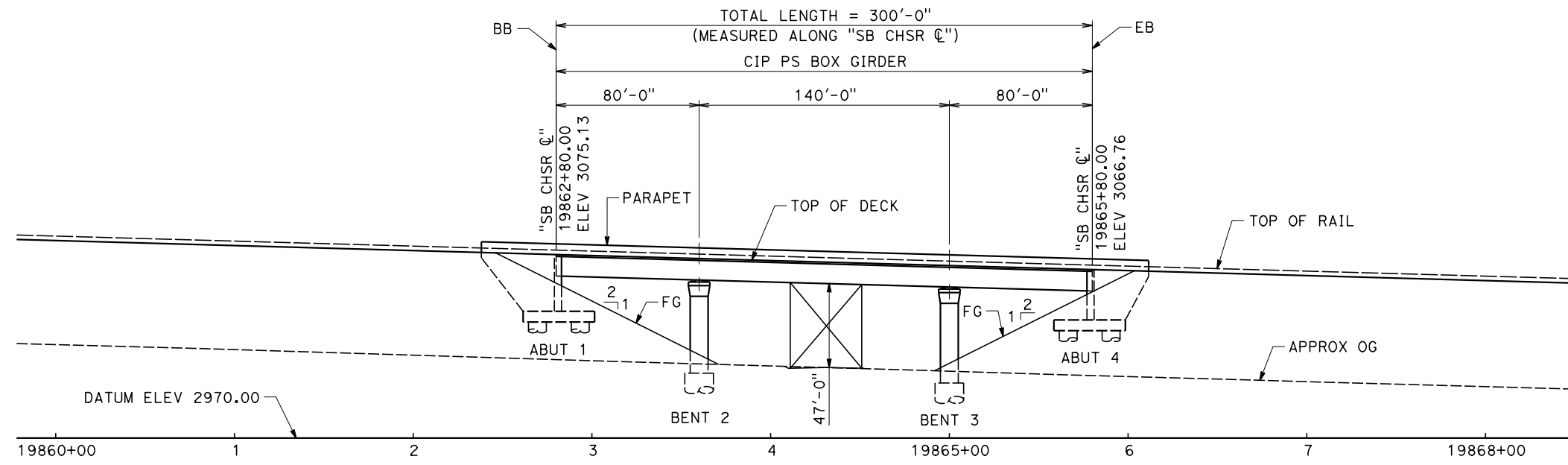
19447+26.37 EVC
Elev 4238.63

19920+95.83 BVC
Elev 2912.29

-2.80%

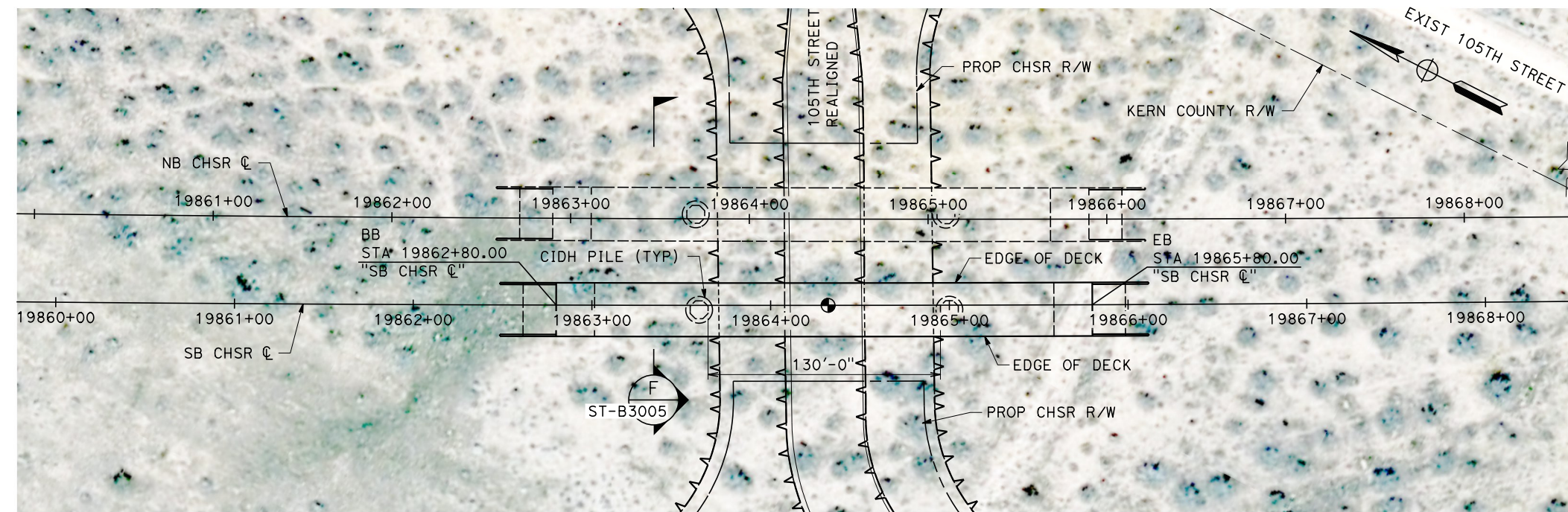
TOP OF RAIL "SB CHSR ☉"

NO SCALE



ELEVATION

SCALE 1" = 40'



PLAN

SCALE 1" = 40'



1"=40'
SCALE APPLICABLE FOR FULL SIZE ONLY

Projects\701206.00_CHSRBP\00_CADD\Sheet Files\ST\BP-ST-J1149.dgn

10/30/2017 11:16:14 AM

TYLIN\Wang

REV	DATE	BY	CHK	APP	DESCRIPTION

DESIGNED BY
ROBERT BARTON
DRAWN BY
IVAN MARTIN
CHECKED BY
R. GOLCHOBIAN
IN CHARGE
STEVE SMITH
DATE
10/31/2017

**RECORD
PEPD
SUBMITTAL**

**NOT FOR
CONSTRUCTION**

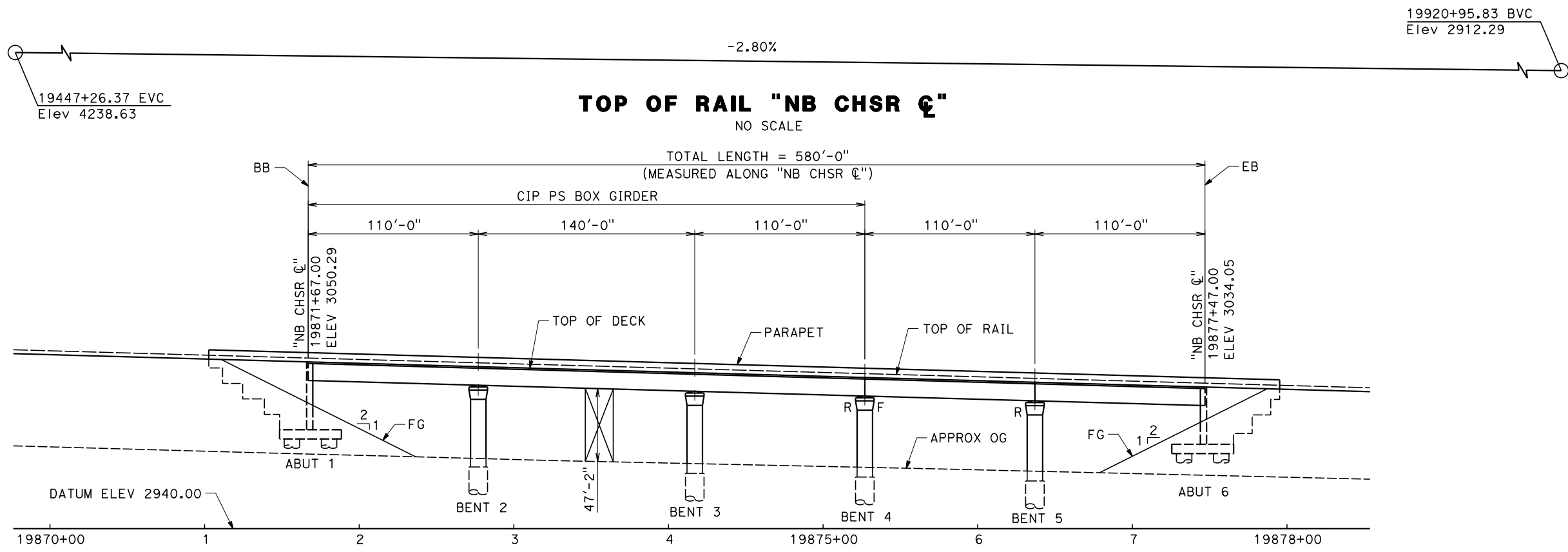
TYLIN INTERNATIONAL



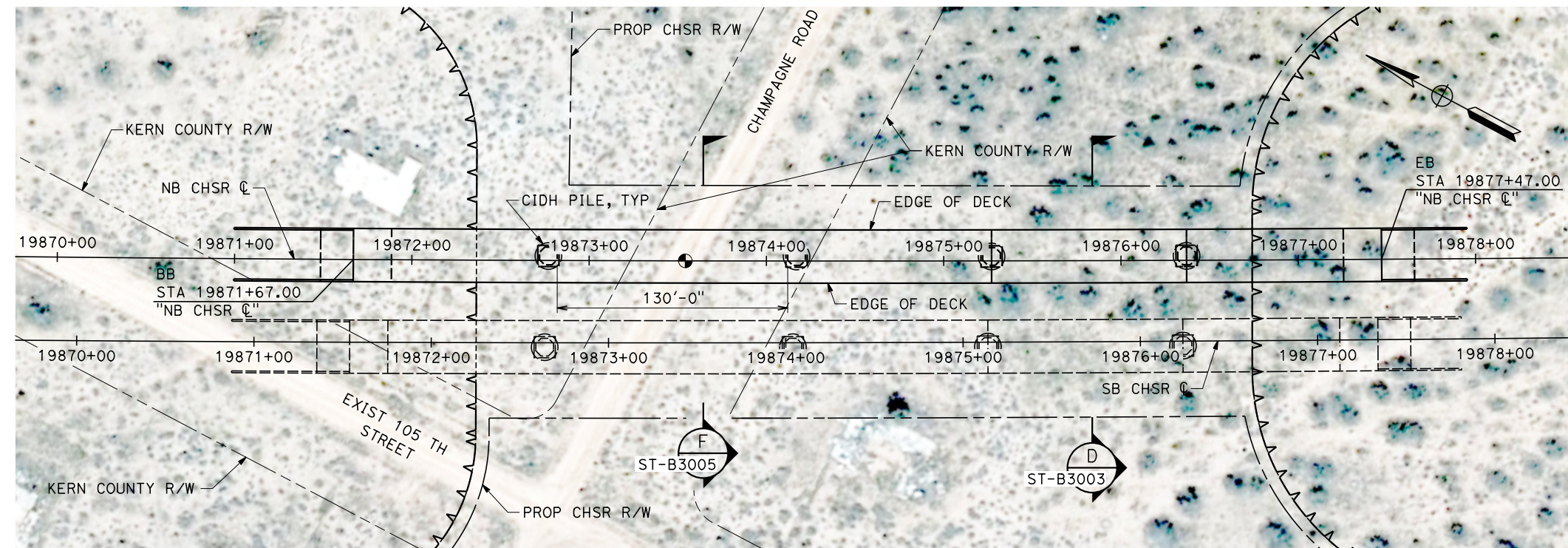
CALIFORNIA HIGH-SPEED RAIL PROJECT
BAKERSFIELD TO PALMDALE
ALTERNATIVE 3
TRACK STRUCTURES
105TH STREET SOUTH UNDERPASS
PLAN AND ELEVATION

CONTRACT NO.
HSR13-44
DRAWING NO.
ST-J1149
SCALE
AS SHOWN
SHEET NO.

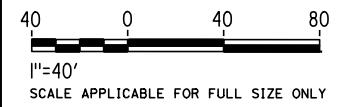
Projects\701206_00_CHSRBP\00_CADD\Sheet Files\ST\BP-ST-J1150.dgn
10/30/2017 11:21:16 AM TYLIN\Wang



ELEVATION
SCALE 1" = 40'



PLAN
SCALE 1" = 40'



REV	DATE	BY	CHK	APP	DESCRIPTION

DESIGNED BY
ROBERT BARTON

DRAWN BY
IVAN MARTIN

CHECKED BY
R. GOLCHOBIAN

IN CHARGE
STEVE SMITH

DATE
10/31/2017

**RECORD
PEPD
SUBMITTAL**

**NOT FOR
CONSTRUCTION**



CALIFORNIA HIGH-SPEED RAIL PROJECT
BAKERSFIELD TO PALMDALE
ALTERNATIVE 3
TRACK STRUCTURES
CHAMPAGNE ROAD NORTH UNDERPASS
PLAN AND ELEVATION

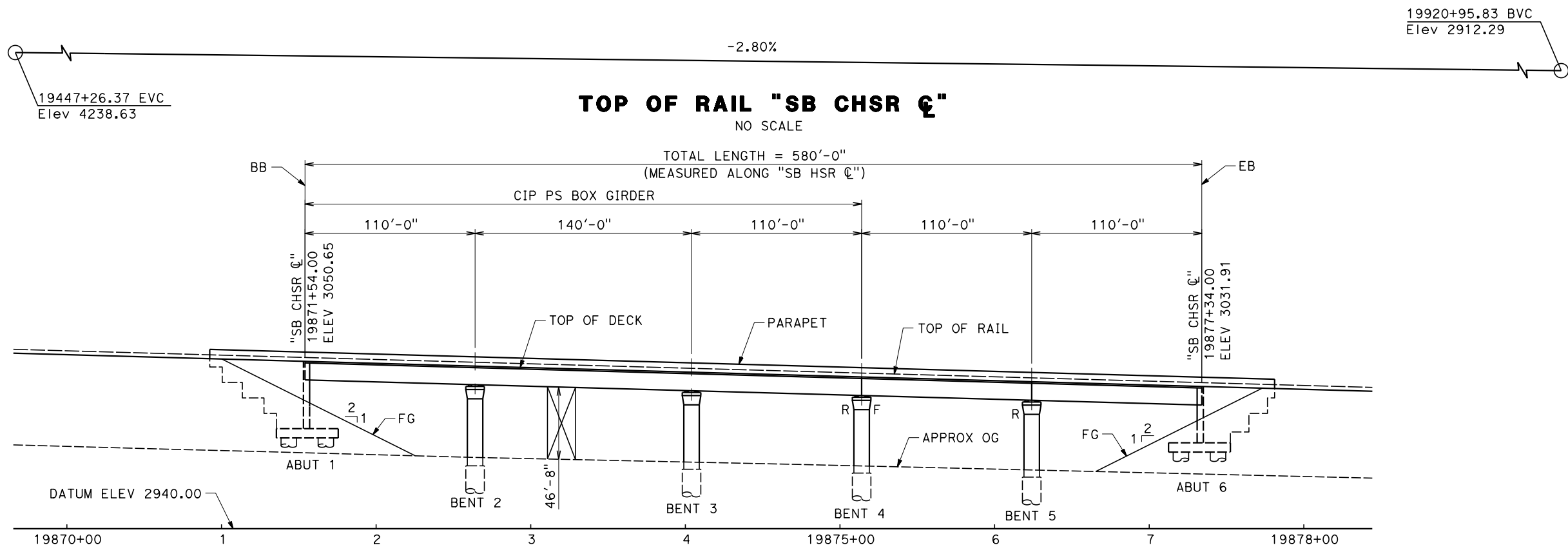
CONTRACT NO.
HSR13-44

DRAWING NO.
ST-J1150

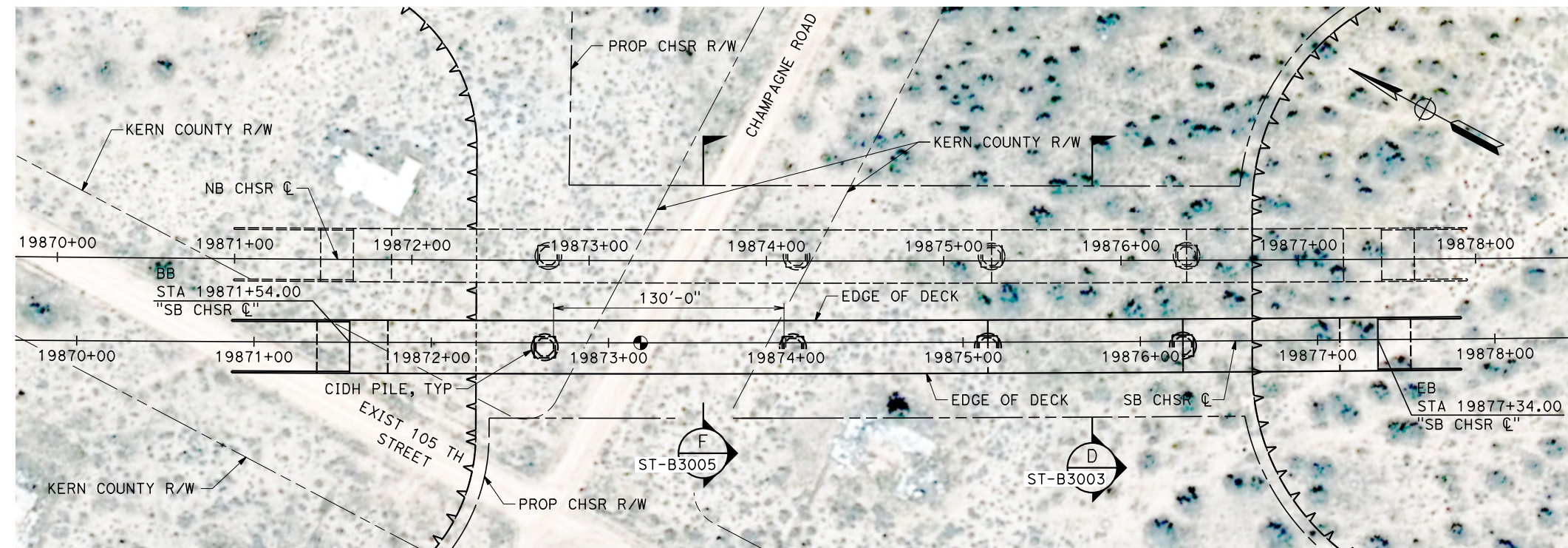
SCALE
AS SHOWN

SHEET NO.

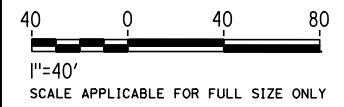
Projects\701206_00_CHSRBP\00_CADD\Sheet Files\ST\BP-ST-J1151.dgn
10/30/2017 11:14:33 AM
TYLIN\Wang



ELEVATION
SCALE 1" = 40'



PLAN
SCALE 1" = 40'



REV	DATE	BY	CHK	APP	DESCRIPTION

DESIGNED BY
ROBERT BARTON

DRAWN BY
IVAN MARTIN

CHECKED BY
R. GOLCHOBIAN

IN CHARGE
STEVE SMITH

DATE
10/31/2017

**RECORD
PEPD
SUBMITTAL**

**NOT FOR
CONSTRUCTION**



CALIFORNIA HIGH-SPEED RAIL PROJECT
BAKERSFIELD TO PALMDALE
ALTERNATIVE 3
TRACK STRUCTURES
CHAMPAGNE ROAD SOUTH UNDERPASS
PLAN AND ELEVATION

CONTRACT NO.
HSR13-44

DRAWING NO.
ST-J1151

SCALE
AS SHOWN

SHEET NO.

Projects\701206_00_CHSRBP\00_CADD\Sheet_Files\ST\BP-ST-J1152.dgn 10/30/2017 11:17:45 AM TYLIN\Wang

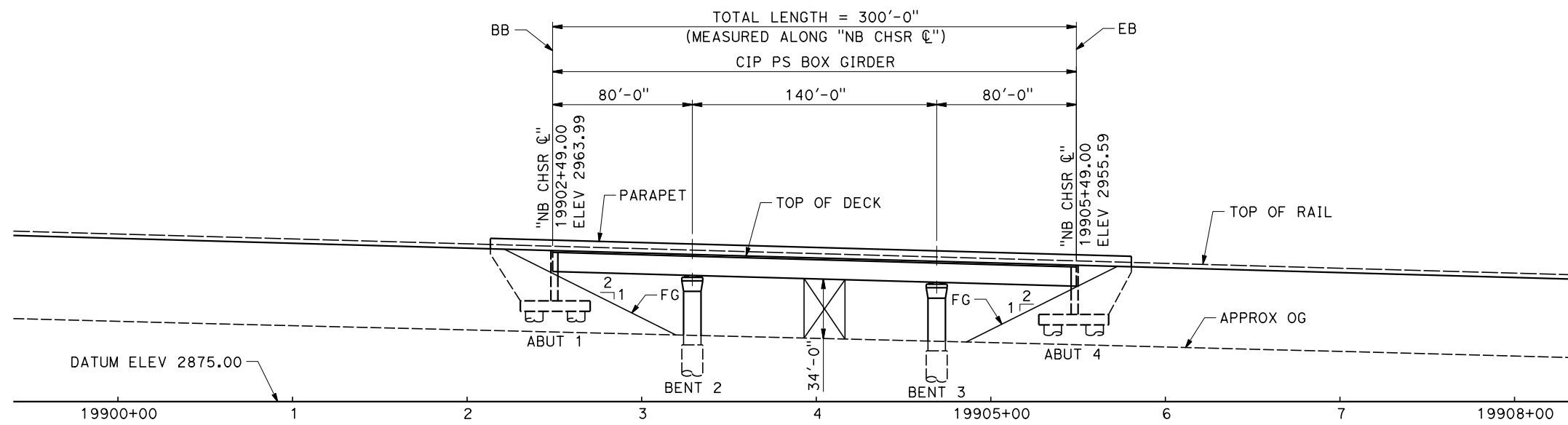
19920+95.83 BVC
Elev 2912.29

-2.80%

19447+26.37 EVC
Elev 4238.63

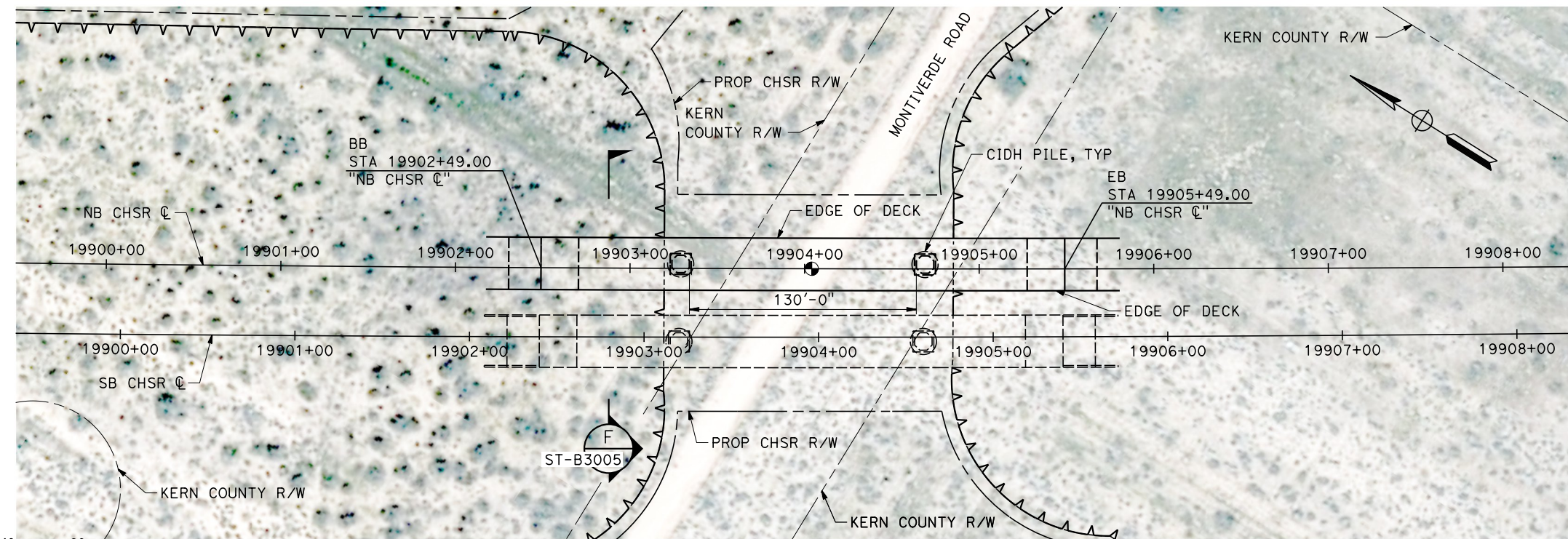
TOP OF RAIL "NB CHSR ☉"

NO SCALE



ELEVATION

SCALE 1" = 40'



PLAN

SCALE 1" = 40'



1"=40'
SCALE APPLICABLE FOR FULL SIZE ONLY

REV	DATE	BY	CHK	APP	DESCRIPTION

DESIGNED BY
ROBERT BARTON
DRAWN BY
IVAN MARTIN
CHECKED BY
R. GOLCHOBIAN
IN CHARGE
STEVE SMITH
DATE
10/31/2017

**RECORD
PEPD
SUBMITTAL**

**NOT FOR
CONSTRUCTION**

TYLIN INTERNATIONAL



CALIFORNIA HIGH-SPEED RAIL PROJECT
BAKERSFIELD TO PALMDALE
ALTERNATIVE 3
TRACK STRUCTURES
MONTIVERDE ROAD NORTH UNDERPASS
PLAN AND ELEVATION

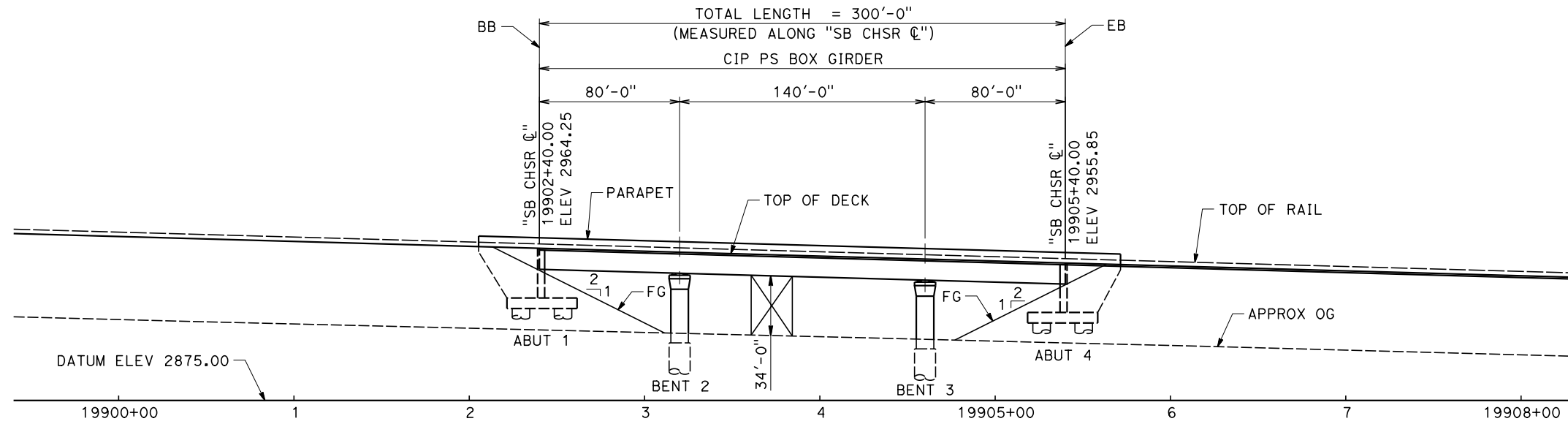
CONTRACT NO.
HSR13-44
DRAWING NO.
ST-J1152
SCALE
AS SHOWN
SHEET NO.

19920+95.83 BVC
Elev 2912.29

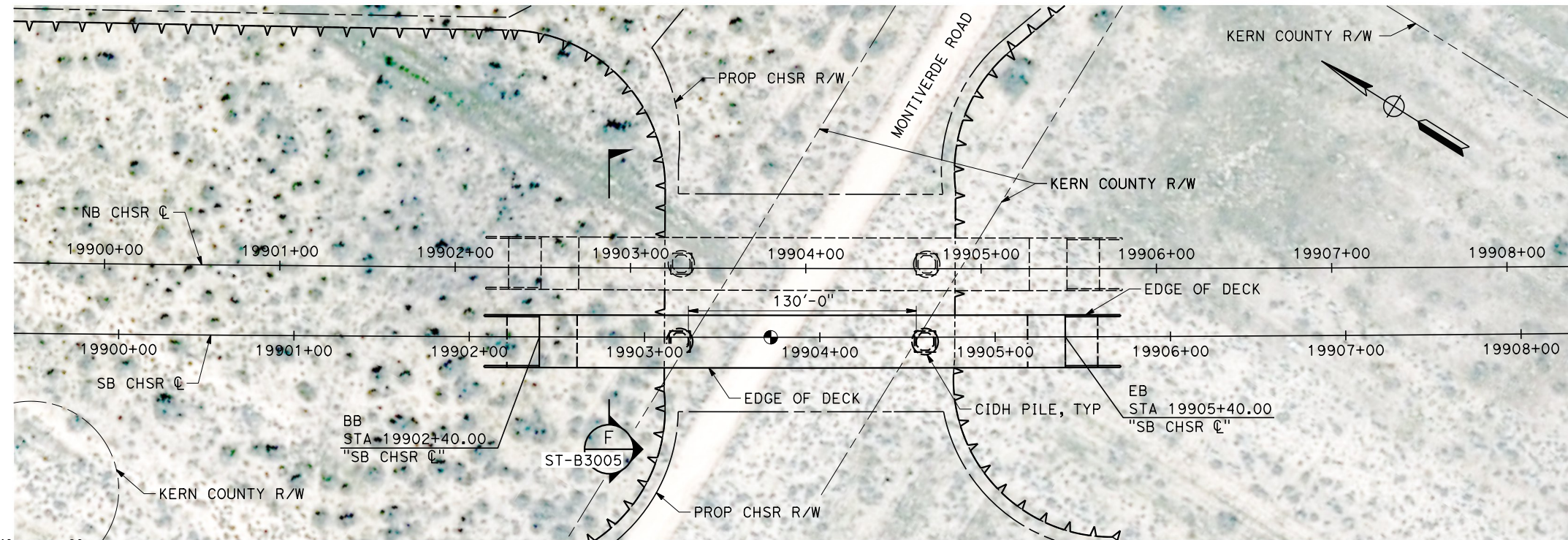
-2.80%

19447+26.37 EVC
Elev 4238.63

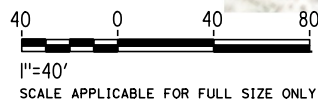
TOP OF RAIL "SB CHSR ☉"
NO SCALE



ELEVATION
SCALE 1"= 40'



PLAN
SCALE 1"= 40'



Projects\701206.00_CHSRBP\00_CADD\Sheet Files\ST\BP-ST-J1153.dgn
11:16:28 AM
10/30/2017
TYLIN\Wang

REV	DATE	BY	CHK	APP	DESCRIPTION

DESIGNED BY
ROBERT BARTON
DRAWN BY
IVAN MARTIN
CHECKED BY
R. GOLCHOBIAN
IN CHARGE
STEVE SMITH
DATE
10/31/2017

**RECORD
PEPD
SUBMITTAL**

**NOT FOR
CONSTRUCTION**



CALIFORNIA HIGH-SPEED RAIL PROJECT
BAKERSFIELD TO PALMDALE
ALTERNATIVE 3
TRACK STRUCTURES
MONTIVERDE ROAD SOUTH UNDERPASS
PLAN AND ELEVATION

CONTRACT NO.
HSR13-44
DRAWING NO.
ST-J1153
SCALE
AS SHOWN
SHEET NO.

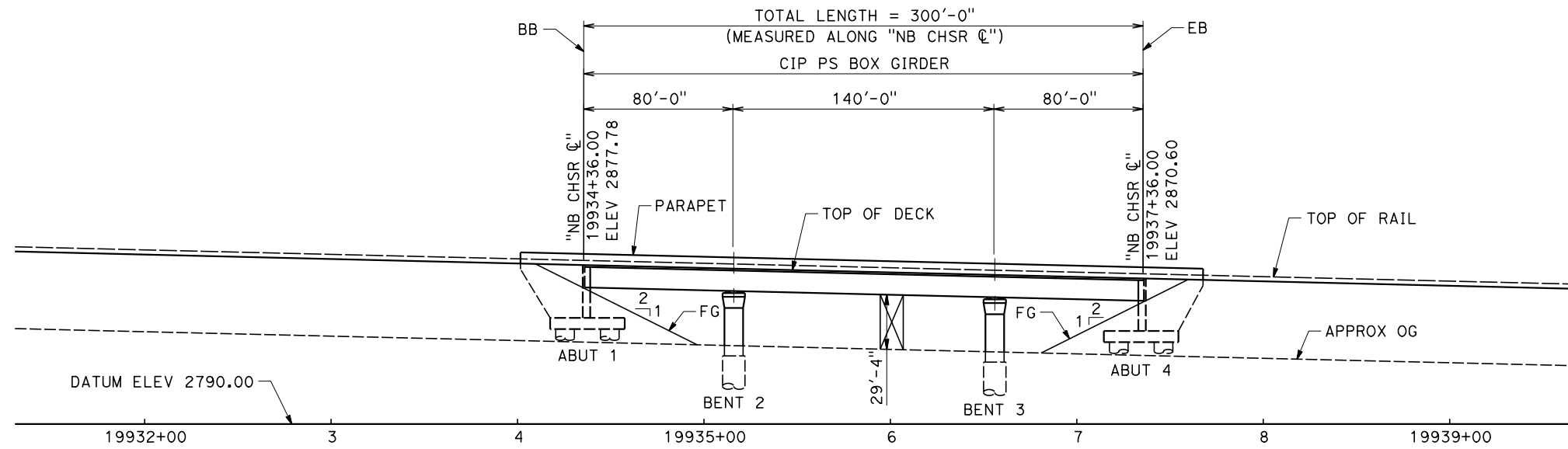
19952+22.67 BVC
Elev 2835.01

-2.39%

19932+95.83 EVC
Elev 2881.13

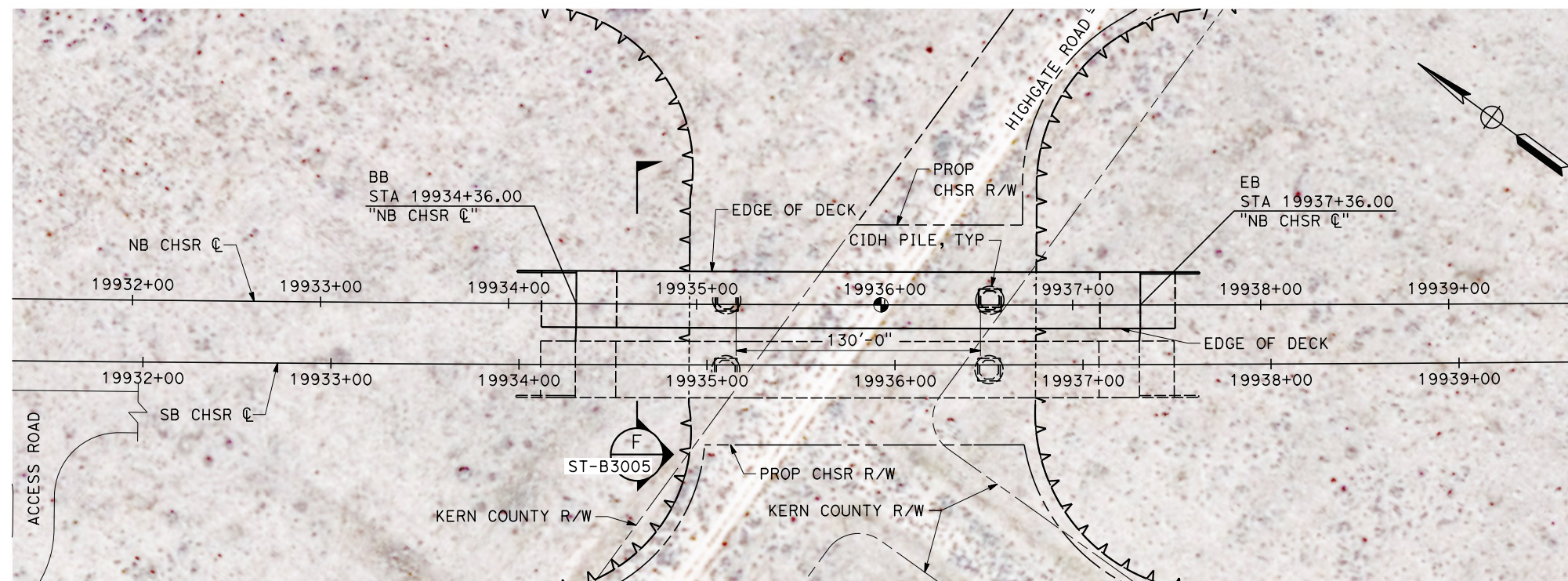
TOP OF RAIL "NB CHSR ☉"

NO SCALE



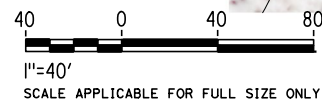
ELEVATION

SCALE 1"= 40'



PLAN

SCALE 1"= 40'



Projects\701206_00_CHSRBP\00_CADD\Sheet_Files\ST\BP-ST-J1154.dgn
10/30/2017 11:21:18 AM
TYLIN\Wang

REV	DATE	BY	CHK	APP	DESCRIPTION

DESIGNED BY
ROBERT BARTON
DRAWN BY
IVAN MARTIN
CHECKED BY
R. GOLCHOBIAN
IN CHARGE
STEVE SMITH
DATE
10/31/2017

**RECORD
PEPD
SUBMITTAL**

**NOT FOR
CONSTRUCTION**

TYLIN INTERNATIONAL



**CALIFORNIA HIGH-SPEED RAIL PROJECT
BAKERSFIELD TO PALMDALE**

ALTERNATIVE 3
TRACK STRUCTURES
HIGHGATE ROAD NORTH UNDERPASS
PLAN AND ELEVATION

CONTRACT NO.
HSR13-44
DRAWING NO.
ST-J1154
SCALE
AS SHOWN
SHEET NO.

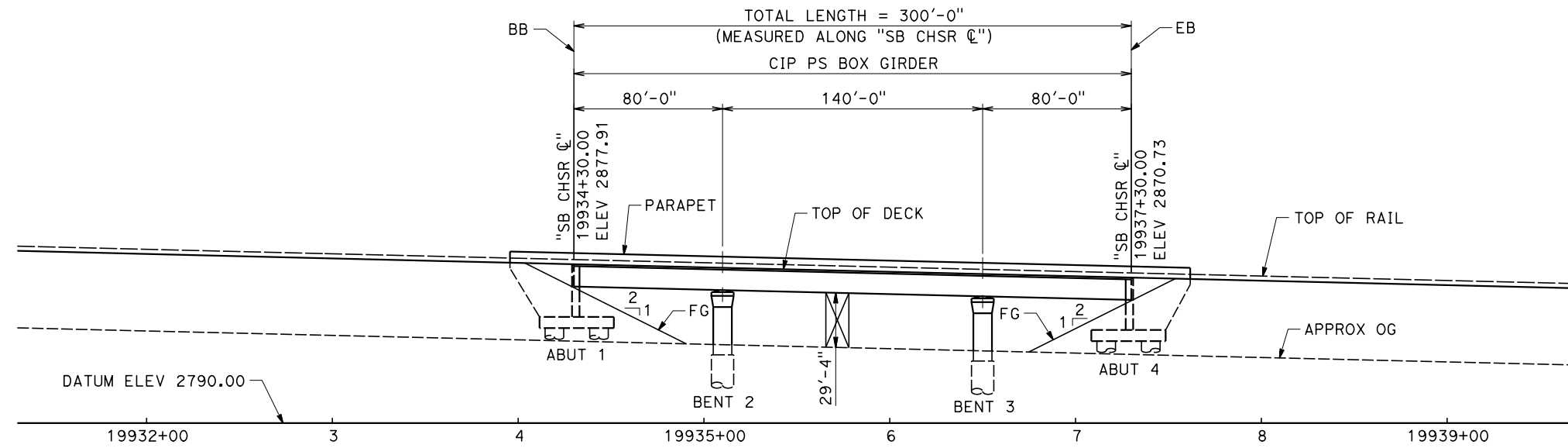
19952+22.67 BVC
Elev 2835.01

-2.39%

19932+95.83 EVC
Elev 2881.13

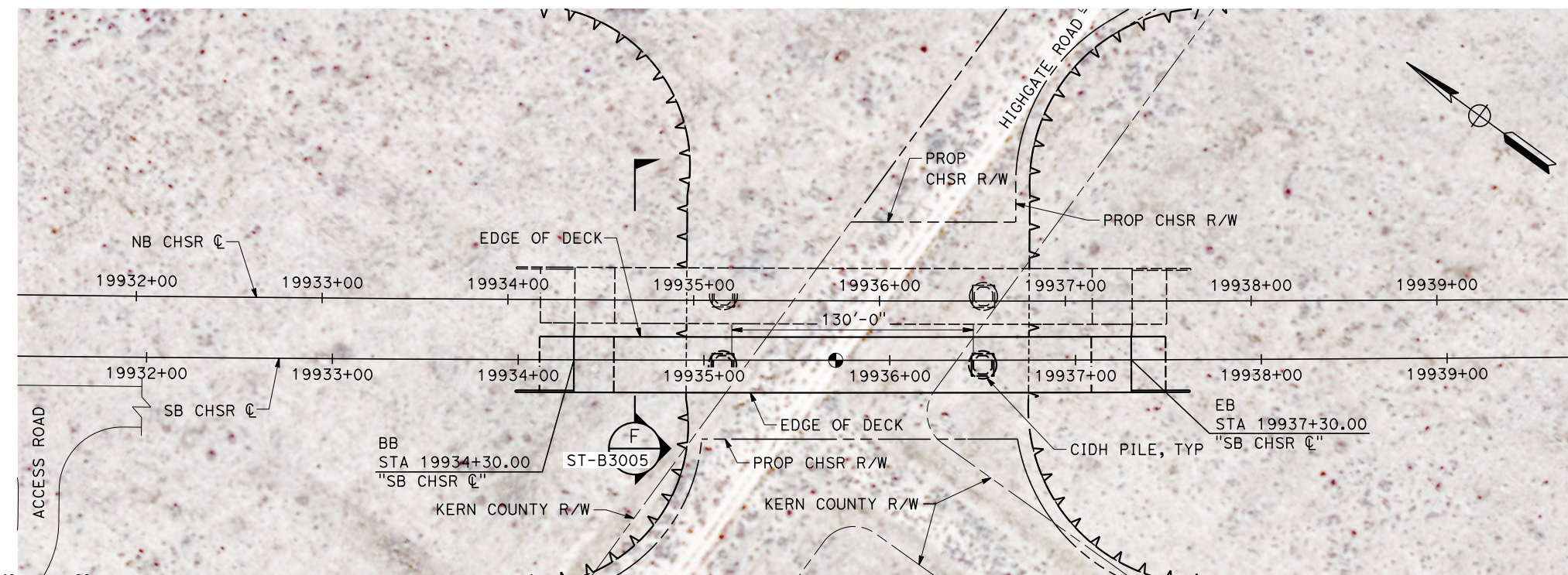
TOP OF RAIL "SB CHSR ☉"

NO SCALE



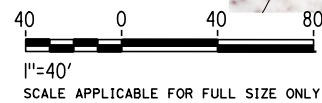
ELEVATION

SCALE 1"= 40'



PLAN

SCALE 1"= 40'



Projects\701206_00_CHSRBP\00_CADD\Sheet_Files\ST\BP-ST-J1155.dgn 10/30/2017 11:15:55 AM TYLWang

REV	DATE	BY	CHK	APP	DESCRIPTION

DESIGNED BY
ROBERT BARTON
DRAWN BY
IVAN MARTIN
CHECKED BY
R. GOLCHOBIAN
IN CHARGE
STEVE SMITH
DATE
10/31/2017

**RECORD
PEPD
SUBMITTAL**

**NOT FOR
CONSTRUCTION**

TYLIN INTERNATIONAL



**CALIFORNIA HIGH-SPEED RAIL PROJECT
BAKERSFIELD TO PALMDALE**

ALTERNATIVE 3
TRACK STRUCTURES
HIGHGATE ROAD SOUTH UNDERPASS
PLAN AND ELEVATION

CONTRACT NO.
HSR13-44

DRAWING NO.
ST-J1155

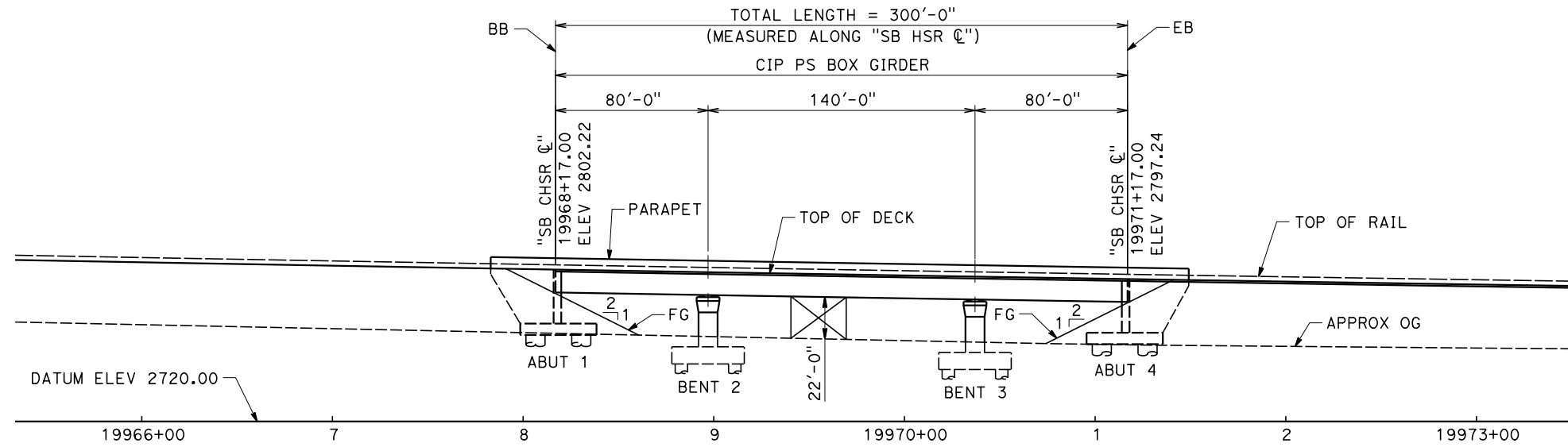
SCALE
AS SHOWN

SHEET NO.

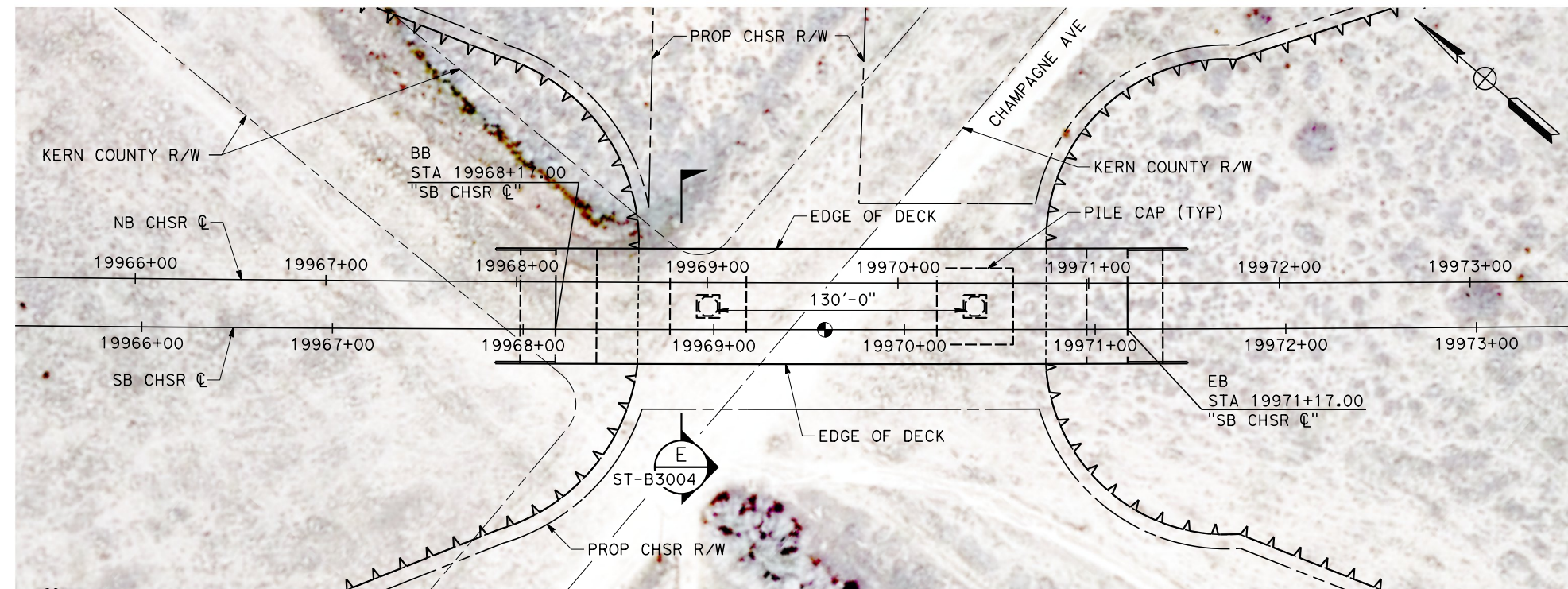
19981+22.67 EVC
Elev 2783.33

-2.39%
19952+22.67 BVC
Elev 2835.01

2900'VC
R=0.042/STA
TOP OF RAIL "SB CHSR ☉"
NO SCALE



ELEVATION
SCALE 1"= 40'



PLAN
SCALE 1"= 40'

40 0 40 80
1"=40'
SCALE APPLICABLE FOR FULL SIZE ONLY

Projects\701206_00_CHSRBP\00_CADD\Sheet_Files\ST\BP-ST-J1156.dgn
10/30/2017 11:17:59 AM
TYLIN\Wang

REV	DATE	BY	CHK	APP	DESCRIPTION

DESIGNED BY
ROBERT BARTON
DRAWN BY
IVAN MARTIN
CHECKED BY
R. GOLCHOBIAN
IN CHARGE
STEVE SMITH
DATE
10/31/2017

**RECORD
PEPD
SUBMITTAL**

**NOT FOR
CONSTRUCTION**

TYLIN INTERNATIONAL



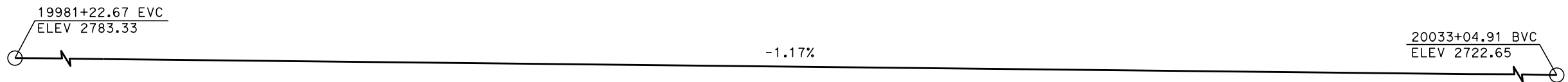
CALIFORNIA HIGH-SPEED RAIL PROJECT
BAKERSFIELD TO PALMDALE
ALTERNATIVE 3
TRACK STRUCTURES
CHAMPAGNE AVENUE UNDERPASS
PLAN AND ELEVATION

CONTRACT NO.
HSR13-44
DRAWING NO.
ST-J1156
SCALE
AS SHOWN
SHEET NO.

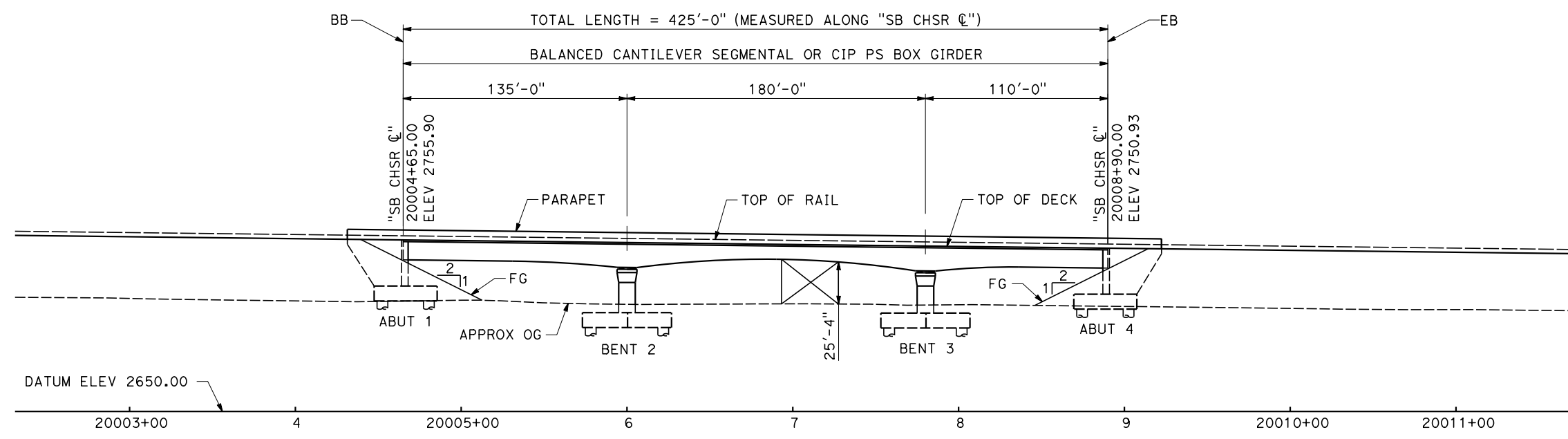
Projects\701206_00_CHSRBP\00_CADD\Sheet_Files\ST\BP-ST-J1157.dgn

10/30/2017 11:19:09 AM

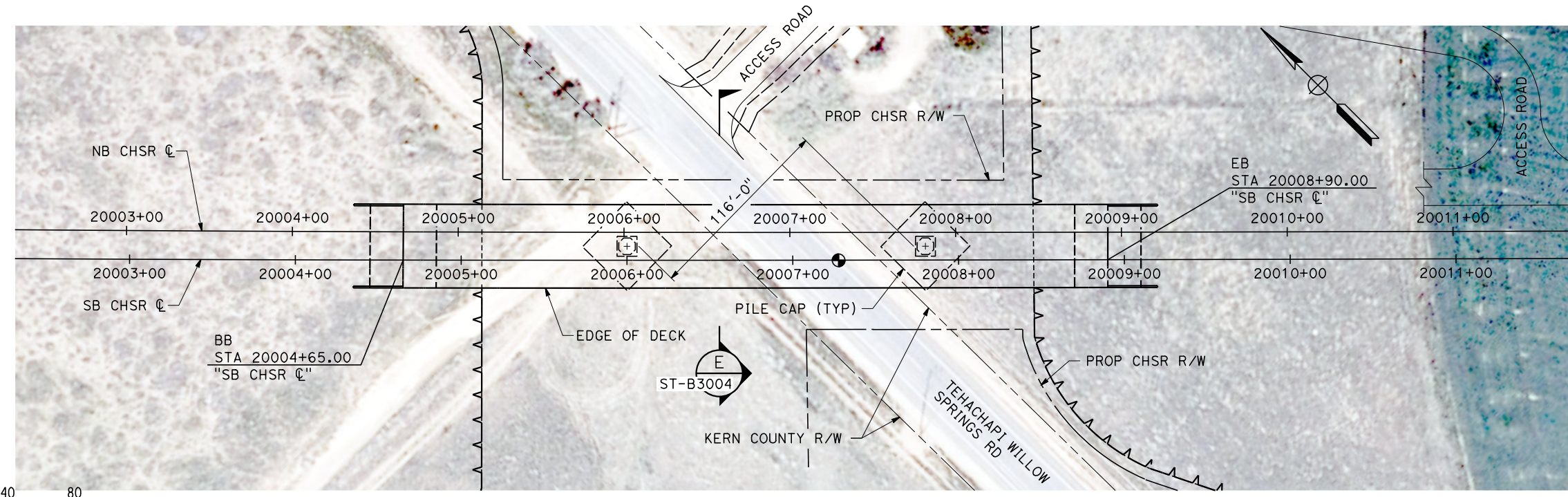
TYLIN\Wang



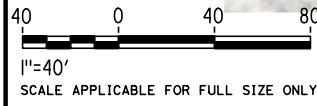
TOP OF RAIL "SB CHSR C"
NO SCALE



ELEVATION
SCALE 1" = 40'



PLAN
SCALE 1" = 40'



REV	DATE	BY	CHK	APP	DESCRIPTION

DESIGNED BY
ROBERT BARTON
DRAWN BY
YIHONG WANG
CHECKED BY
R. GOLCHOBIAN
IN CHARGE
STEVE SMITH
DATE
10/31/2017

**RECORD
PEPD
SUBMITTAL**

**NOT FOR
CONSTRUCTION**



**CALIFORNIA HIGH-SPEED RAIL PROJECT
BAKERSFIELD TO PALMDALE**

ALTERNATIVE 3
TRACK STRUCTURES
TEHACHAPI WILLOW SPRINGS ROAD UNDERPASS - 5
PLAN AND ELEVATION

CONTRACT NO.
HSR13-44
DRAWING NO.
ST-J1157
SCALE
AS SHOWN
SHEET NO.

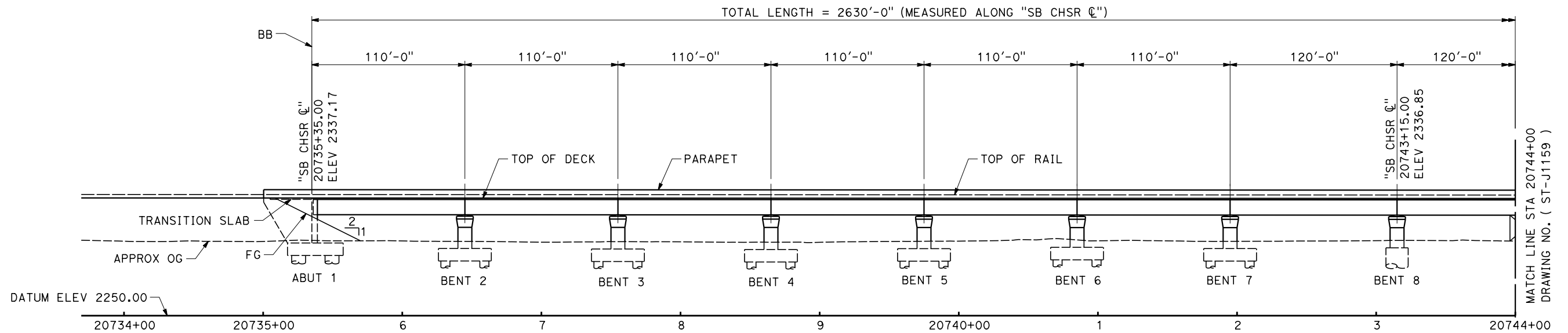
20720+00.00
ELEV 2337.80

20760+81.81 BVC
ELEV 2336.13

-0.04%

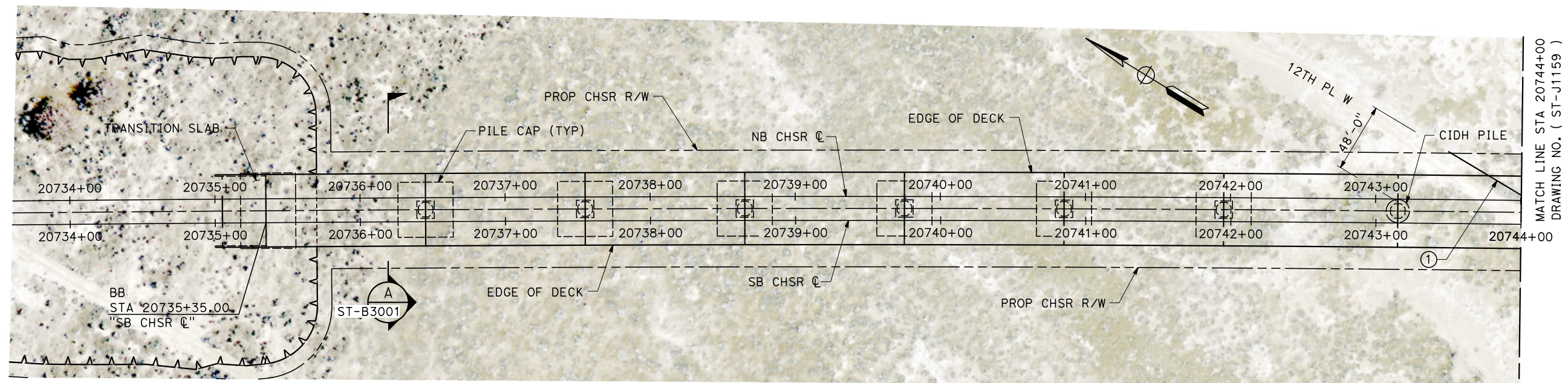
TOP OF RAIL "SB CHSR C"

NO SCALE



ELEVATION

SCALE 1" = 40'



PLAN

SCALE 1" = 40'



1" = 40'
SCALE APPLICABLE FOR FULL SIZE ONLY

Projects\701206_00_CHSRBP\00_CADD\Sheet_Files\ST\BP-ST-J1158.dgn

10/30/2017 11:22:32 AM

TYLIN\Y.Wang

REV	DATE	BY	CHK	APP	DESCRIPTION

DESIGNED BY
ROBERT BARTON

DRAWN BY
YIHONG WANG

CHECKED BY
R. GOLCHOBIAN

IN CHARGE
STEVE SMITH

DATE
10/31/2017

**RECORD
PEPD
SUBMITTAL**

**NOT FOR
CONSTRUCTION**



**CALIFORNIA HIGH-SPEED RAIL PROJECT
BAKERSFIELD TO PALMDALE**

ALTERNATIVE 5
TRACK STRUCTURES
AVENUE F UNDERPASS
PLAN AND ELEVATION

CONTRACT NO.
HSR13-44

DRAWING NO.
ST-J1158

SCALE
AS SHOWN

SHEET NO.

MATCH LINE STA 20744+00
DRAWING NO. (ST-J1159)

MATCH LINE STA 20744+00
DRAWING NO. (ST-J1159)