

18177+60.72 EVC
ELEV 1637.17

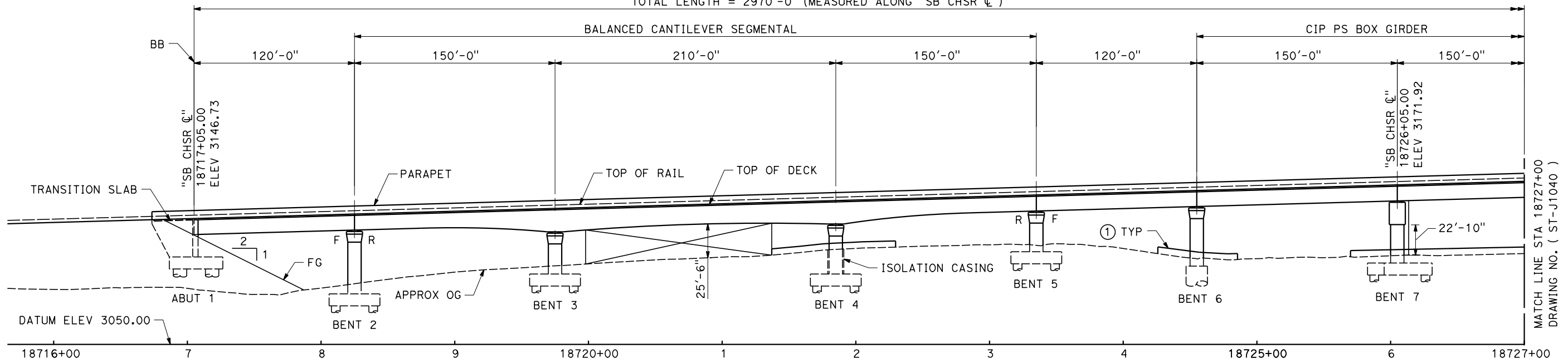
2.80%

18990+16.70 BVC
ELEV 3911.02

TOP OF RAIL "SB CHSR C"

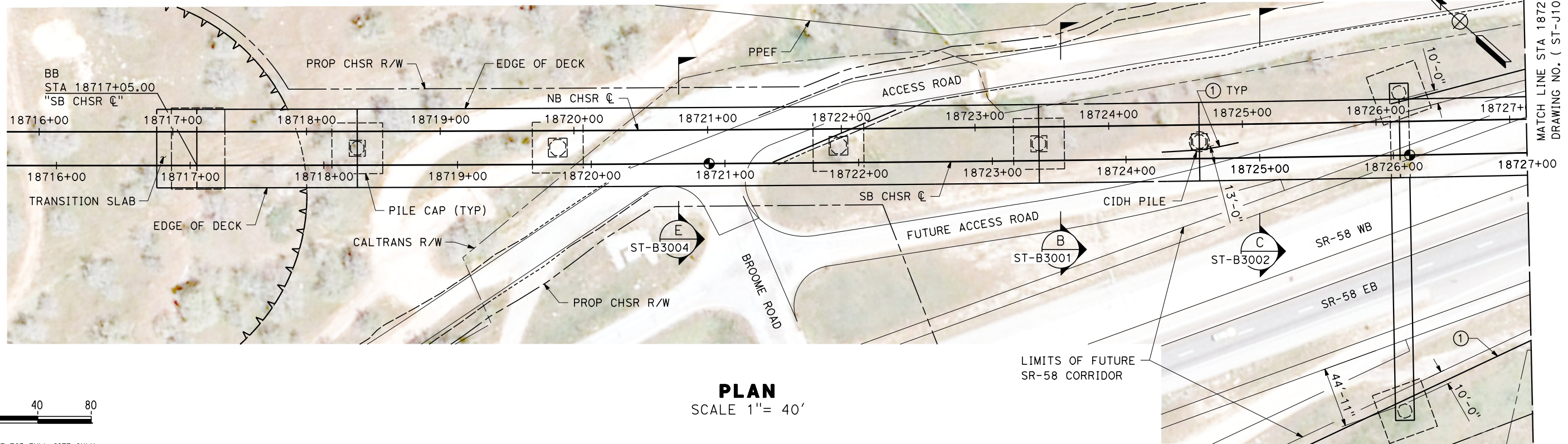
NO SCALE

TOTAL LENGTH = 2970'-0" (MEASURED ALONG "SB CHSR C")



ELEVATION

SCALE 1" = 40'



PLAN

SCALE 1" = 40'



1" = 40'
SCALE APPLICABLE FOR FULL SIZE ONLY

Projects\701206_00_CHSRBP_00_CADD\Sheet_Files\ST\BP-ST-J1039.dgn

10/30/2017 11:12:11 AM

TYLIN\Wang

REV	DATE	BY	CHK	APP	DESCRIPTION

DESIGNED BY
ROBERT BARTON
DRAWN BY
YIHONG WANG
CHECKED BY
R. GOLCHOBIAN
IN CHARGE
STEVE SMITH
DATE
10/31/2017

**RECORD
PEPD
SUBMITTAL**

**NOT FOR
CONSTRUCTION**



**CALIFORNIA HIGH-SPEED RAIL PROJECT
BAKERSFIELD TO PALMDALE**

ALTERNATIVES 1,2,3,5
TRACK STRUCTURES
VIADUCT STATION 18717+05 TO 18746+75
PLAN AND ELEVATION

CONTRACT NO.
HSR13-44
DRAWING NO.
ST-J1039
SCALE
AS SHOWN
SHEET NO.

MATCH LINE STA 18727+00
DRAWING NO. (ST-J1040)

MATCH LINE STA 18727+00
DRAWING NO. (ST-J1040)

18177+60.72 EVC
ELEV 1637.17

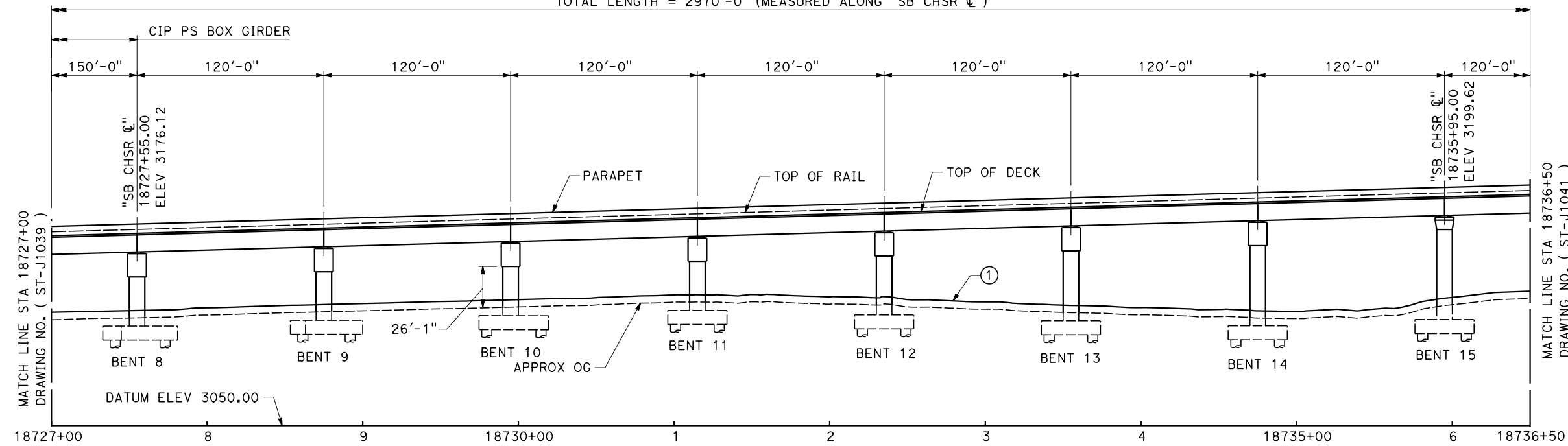
2.80%

18990+16.70 BVC
ELEV 3911.02

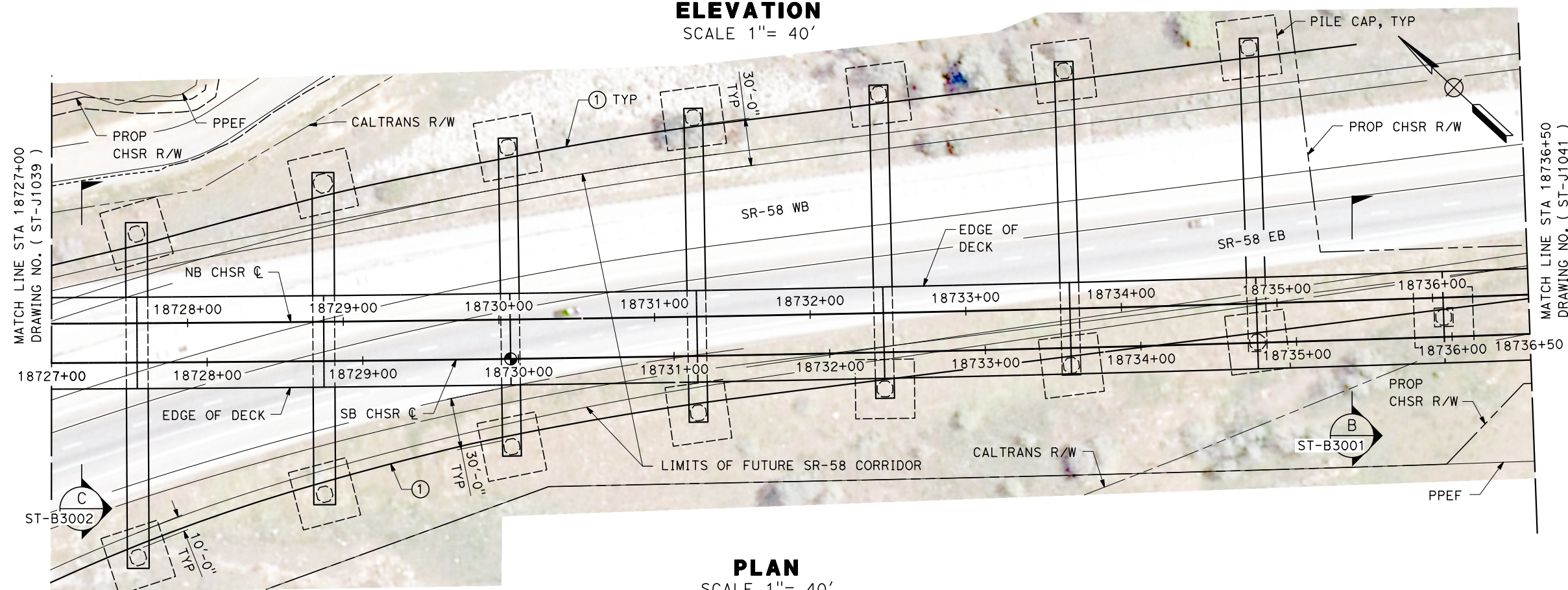
TOP OF RAIL "SB CHSR C"

NO SCALE

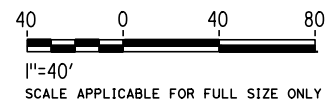
TOTAL LENGTH = 2970'-0" (MEASURED ALONG "SB CHSR C")



ELEVATION
SCALE 1" = 40'



PLAN
SCALE 1" = 40'



Projects\701206_00_CHSRBP\00_CADD\Sheet_Files\ST\BP-ST-J1040.dgn
11:12:35 AM
10/30/2017
TYLIN\Wang

REV	DATE	BY	CHK	APP	DESCRIPTION

DESIGNED BY
ROBERT BARTON
DRAWN BY
YIHONG WANG
CHECKED BY
R. GOLCHOBIAN
IN CHARGE
STEVE SMITH
DATE
10/31/2017

**RECORD
PEPD
SUBMITTAL**

**NOT FOR
CONSTRUCTION**



CALIFORNIA HIGH-SPEED RAIL PROJECT
BAKERSFIELD TO PALMDALE
ALTERNATIVES 1,2,3,5
TRACK STRUCTURES
VIADUCT STATION 18717+05 TO 18746+75
PLAN AND ELEVATION

CONTRACT NO.
HSR13-44
DRAWING NO.
ST-J1040
SCALE
AS SHOWN
SHEET NO.

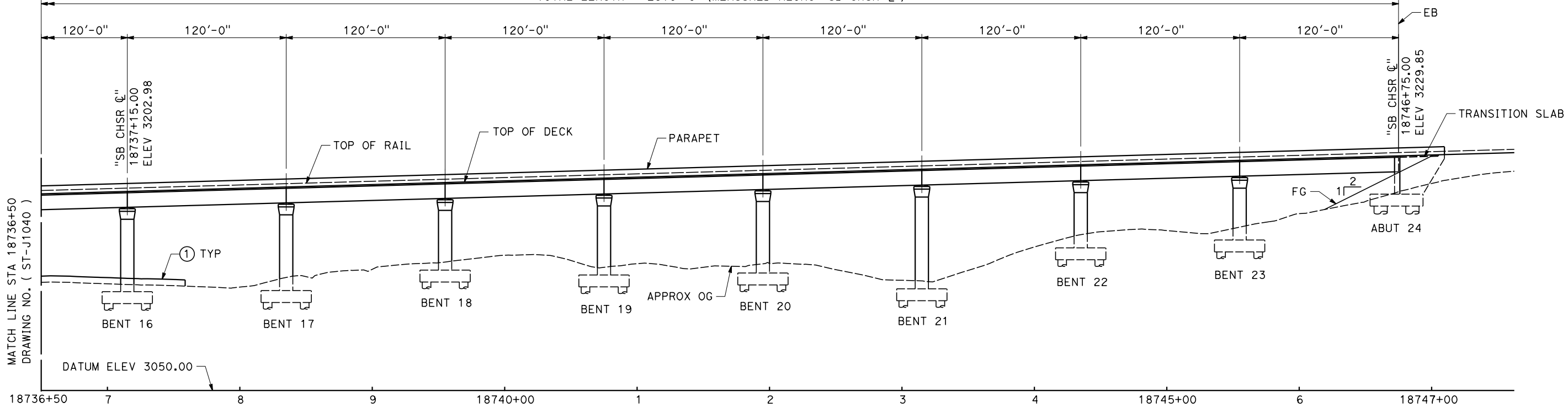
18177+60.72 EVC
ELEV 1637.17

+2.80%

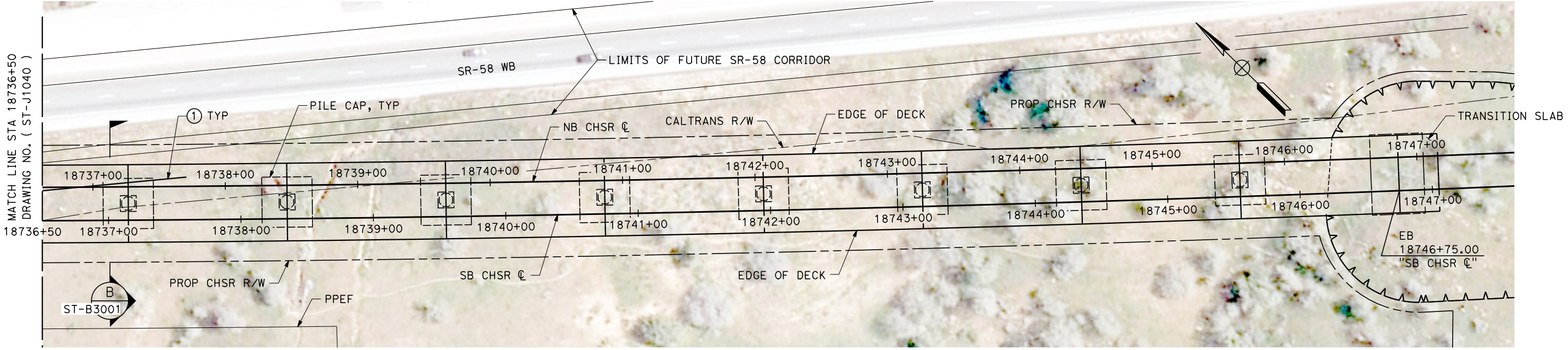
18990+16.70 BVC
ELEV 3911.02

TOP OF RAIL "SB CHSR C"
NO SCALE

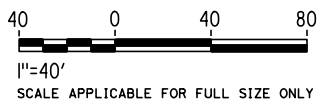
TOTAL LENGTH = 2970'-0" (MEASURED ALONG "SB CHSR C")



ELEVATION
SCALE 1" = 40'



PLAN
SCALE 1" = 40'



Projects\701206_00_CHSRBP\00_CADD\Sheet_Files\ST\BP-ST-J1041.dgn
11:21:11 AM
10/30/2017
TYLIN\Wang

REV	DATE	BY	CHK	APP	DESCRIPTION

DESIGNED BY
ROBERT BARTON
DRAWN BY
YIHONG WANG
CHECKED BY
R. GOLCHOBIAN
IN CHARGE
STEVE SMITH
DATE
10/31/2017

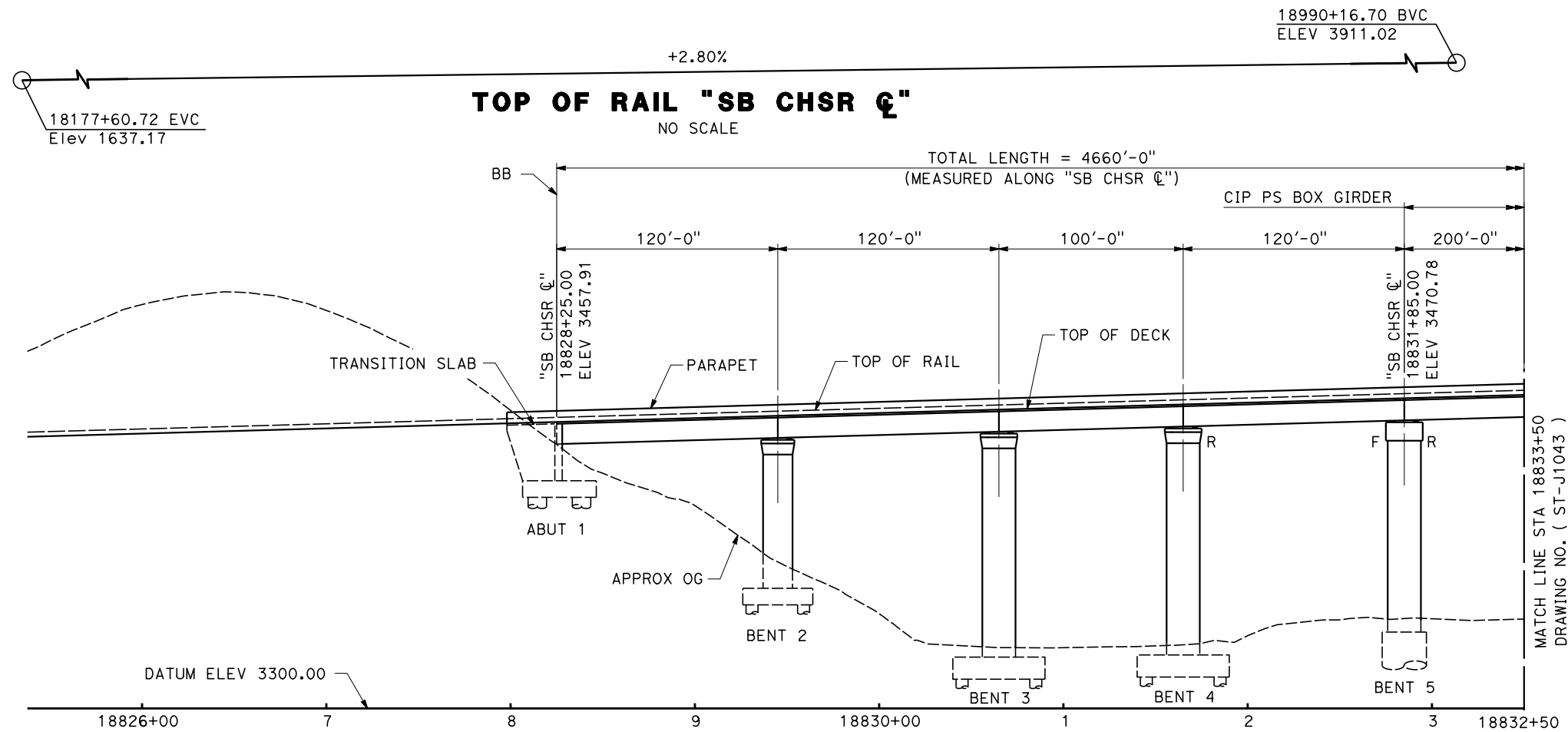
**RECORD
PEPD
SUBMITTAL**

**NOT FOR
CONSTRUCTION**

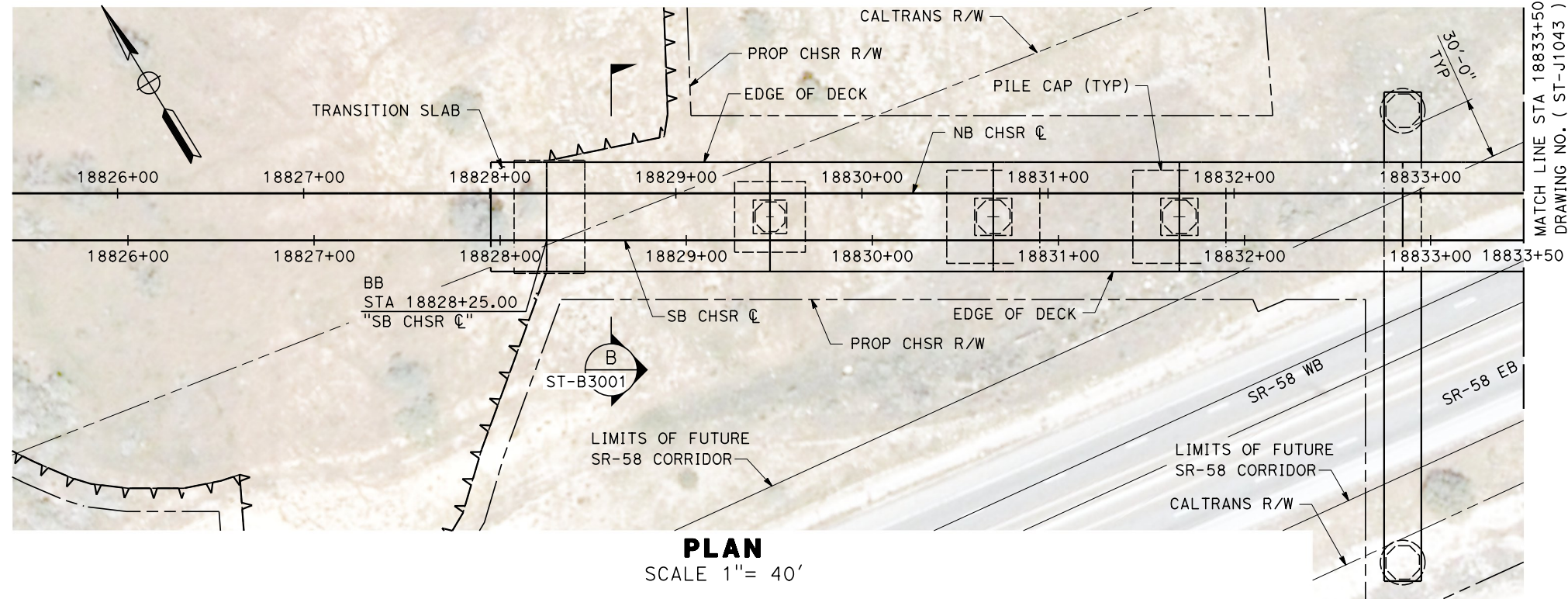


CALIFORNIA HIGH-SPEED RAIL PROJECT
BAKERSFIELD TO PALMDALE
ALTERNATIVES 1,2,3,5
TRACK STRUCTURES
VIADUCT STATION 18717+05 TO 18746+75
PLAN AND ELEVATION

CONTRACT NO.
HSR13-44
DRAWING NO.
ST-J1041
SCALE
AS SHOWN
SHEET NO.

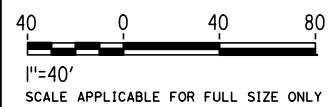


ELEVATION
SCALE 1" = 40'



PLAN
SCALE 1" = 40'

Projects\701206_00_CHSRBP\00_CADD\Sheet Files\ST\BP-ST-J1042.dgn
11:08:56 AM
10/30/2017
TYLIN\Wang



REV	DATE	BY	CHK	APP	DESCRIPTION

DESIGNED BY
ROBERT BARTON
DRAWN BY
YIHONG WANG
CHECKED BY
R. GOLCHOBIAN
IN CHARGE
STEVE SMITH
DATE
10/31/2017

**RECORD
PEPD
SUBMITTAL**

**NOT FOR
CONSTRUCTION**



CALIFORNIA HIGH-SPEED RAIL PROJECT
BAKERSFIELD TO PALMDALE
ALTERNATIVES 1,2,3,5
TRACK STRUCTURES
VIADUCT STATION 18828+25 TO 18874+85
PLAN AND ELEVATION

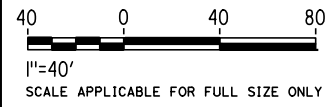
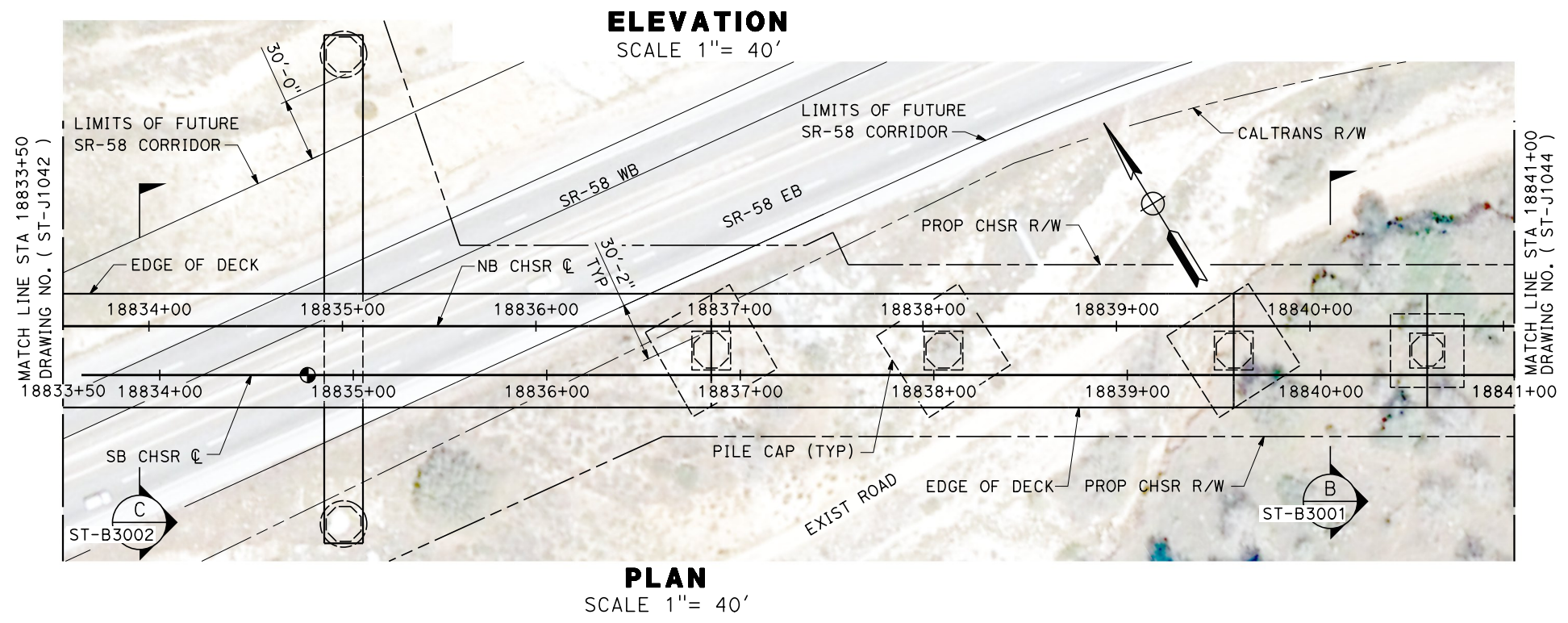
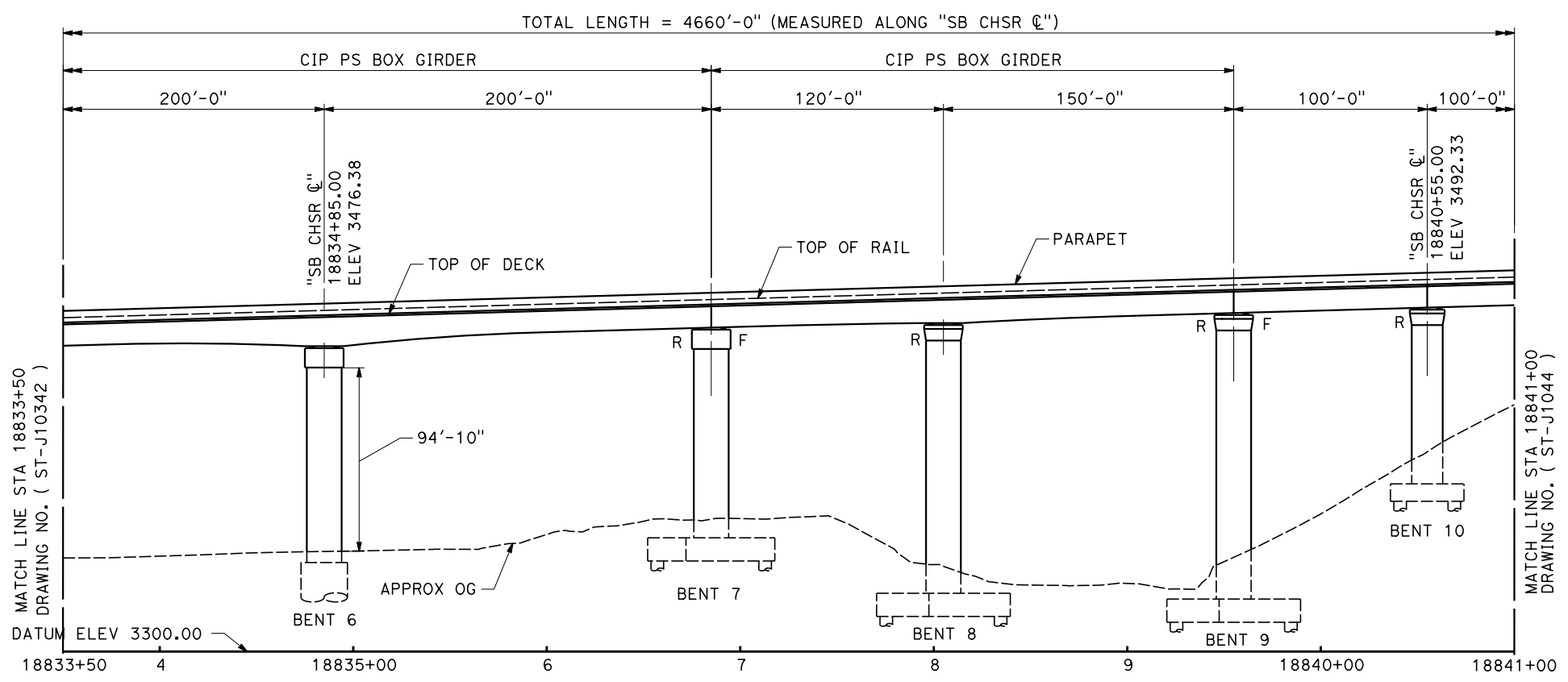
CONTRACT NO.
HSR13-44
DRAWING NO.
ST-J1042
SCALE
AS SHOWN
SHEET NO.

+2.80%

TOP OF RAIL "SB CHSR C"
NO SCALE

18990+16.70 BVC
ELEV 3911.02

18177+60.72 EVC
Elev 1637.17



Projects\701206_00_CHSRBP\00_CADD\Sheet Files\ST\BP-ST-J1043.dgn
10/30/2017 11:08:51 AM
TYLIN\Wang

REV	DATE	BY	CHK	APP	DESCRIPTION

DESIGNED BY
ROBERT BARTON
DRAWN BY
YIHONG WANG
CHECKED BY
R. GOLCHOBIAN
IN CHARGE
STEVE SMITH
DATE
10/31/2017

**RECORD
PEPD
SUBMITTAL**

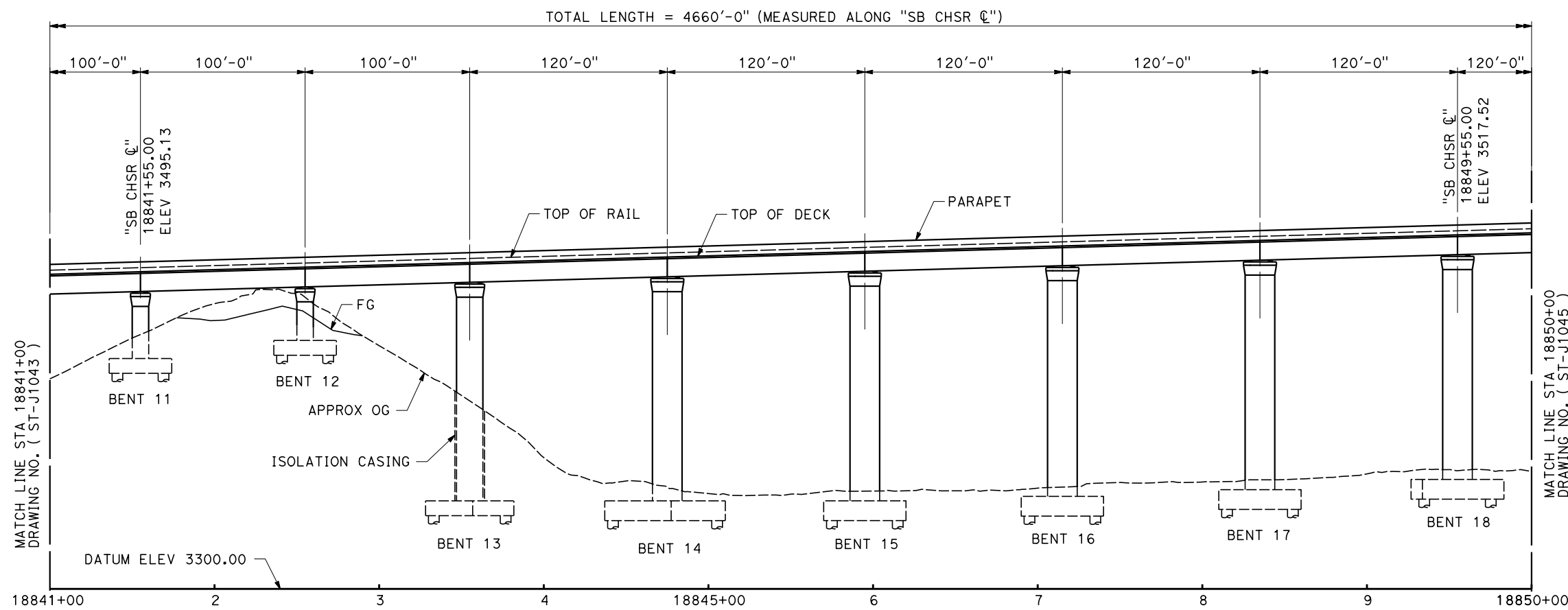
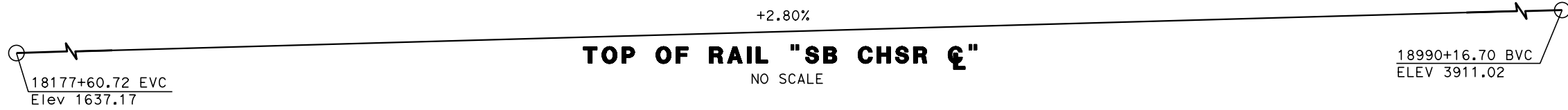
**NOT FOR
CONSTRUCTION**

TYLIN INTERNATIONAL

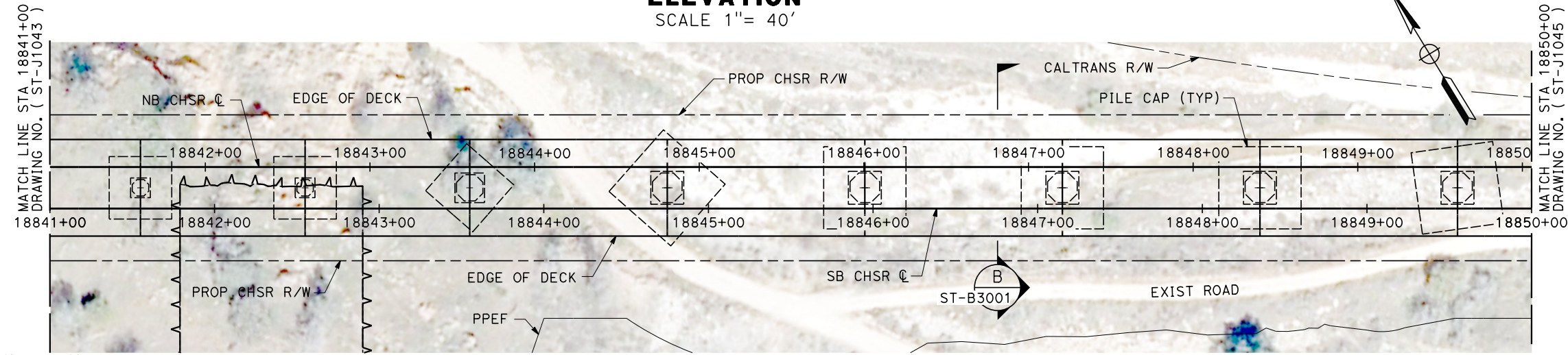


**CALIFORNIA HIGH-SPEED RAIL PROJECT
BAKERSFIELD TO PALMDALE**
ALTERNATIVES 1,2,3,5
TRACK STRUCTURES
VIADUCT STATION 18828+25 TO 18874+85
PLAN AND ELEVATION

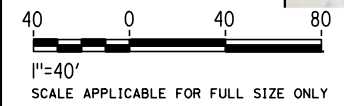
CONTRACT NO.
HSR13-44
DRAWING NO.
ST-J1043
SCALE
AS SHOWN
SHEET NO.



ELEVATION
SCALE 1" = 40'



PLAN
SCALE 1" = 40'



Projects\701206_00_CHSRBP\00_CADD\Sheet_Files\ST\BP-ST-J1044.dgn
11:08:49 AM
10/30/2017
TYLIN\Wang

REV	DATE	BY	CHK	APP	DESCRIPTION

DESIGNED BY
ROBERT BARTON
DRAWN BY
YIHONG WANG
CHECKED BY
R. GOLCHOBIAN
IN CHARGE
STEVE SMITH
DATE
10/31/2017

**RECORD
PEPD
SUBMITTAL**

**NOT FOR
CONSTRUCTION**



CALIFORNIA HIGH-SPEED RAIL PROJECT
BAKERSFIELD TO PALMDALE
ALTERNATIVES 1,2,3,5
TRACK STRUCTURES
VIADUCT STATION 18828+25 TO 18874+85
PLAN AND ELEVATION

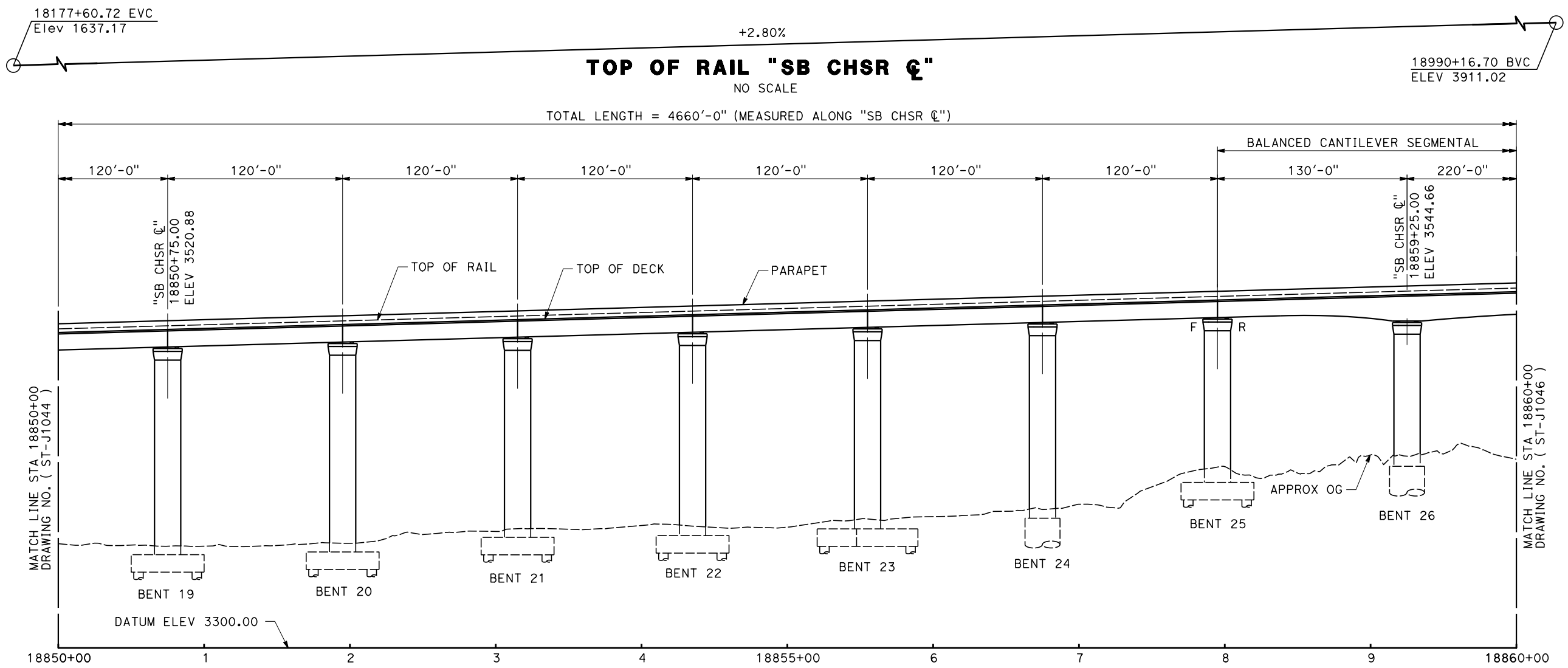
CONTRACT NO.
HSR13-44
DRAWING NO.
ST-J1044
SCALE
AS SHOWN
SHEET NO.

Projects\701206_00_CHSRBP\00_CADD\Sheet_Files\ST\BP-ST-J1045.dgn

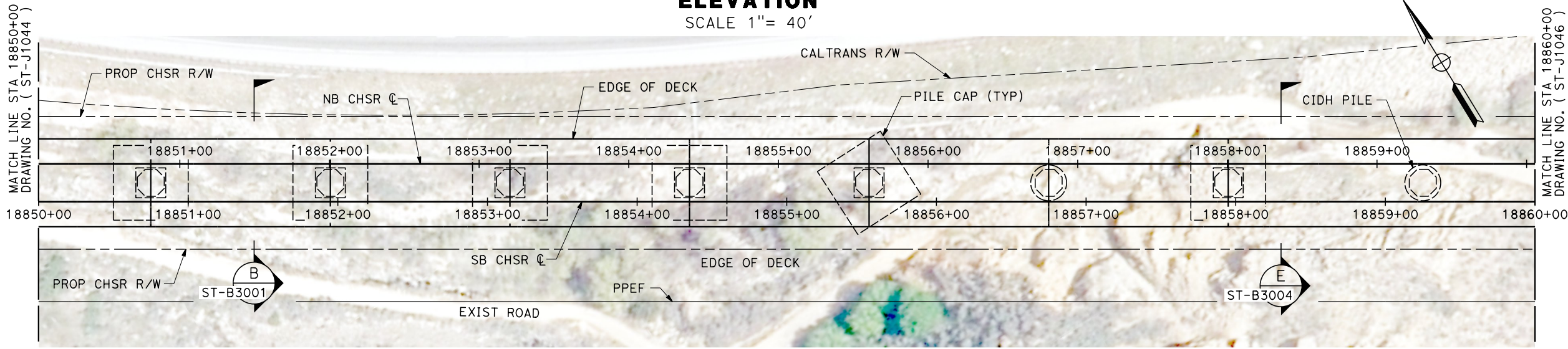
11:08:50 AM

10/30/2017

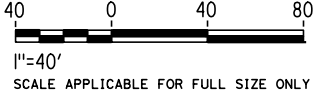
TYLIN\Wang



ELEVATION
SCALE 1" = 40'



PLAN
SCALE 1" = 40'



REV	DATE	BY	CHK	APP	DESCRIPTION

DESIGNED BY
ROBERT BARTON

DRAWN BY
YIHONG WANG

CHECKED BY
R. GOLCHOBIAN

IN CHARGE
STEVE SMITH

DATE
10/31/2017

**RECORD
PEPD
SUBMITTAL**

**NOT FOR
CONSTRUCTION**



CALIFORNIA HIGH-SPEED RAIL PROJECT
BAKERSFIELD TO PALMDALE
ALTERNATIVES 1,2,3,5
TRACK STRUCTURES
VIADUCT STATION 18828+25 TO 18874+85
PLAN AND ELEVATION

CONTRACT NO.
HSR13-44

DRAWING NO.
ST-J1045

SCALE
AS SHOWN

SHEET NO.

Projects\701206_00_CHSRBP\00_CADD\Sheet_Files\ST\BP-ST-J1046.dgn

10/30/2017 11:08:51 AM

TYLIN\Wang

+2.80%

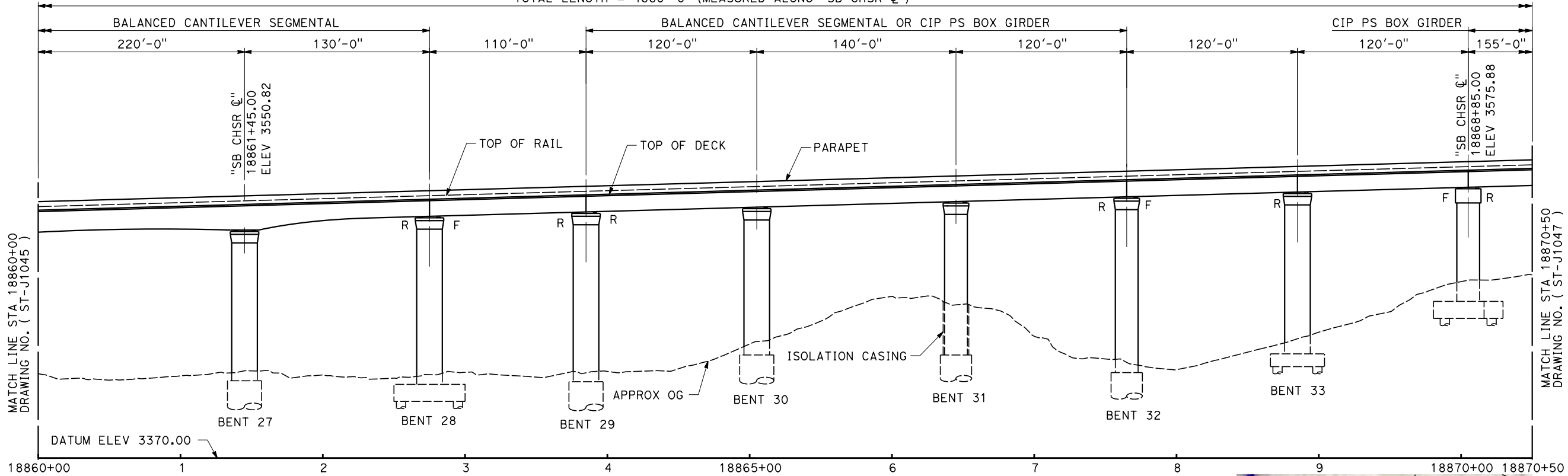
TOP OF RAIL "SB CHSR ☉"

NO SCALE

18177+60.72 EVC
Elev 1637.17

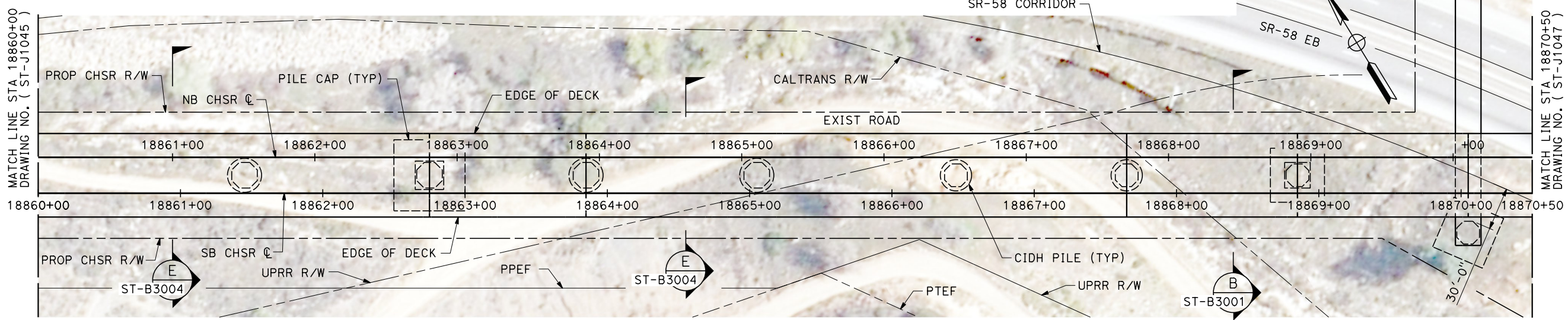
18990+16.70 BVC
ELEV 3911.02

TOTAL LENGTH = 4660'-0" (MEASURED ALONG "SB CHSR ☉")



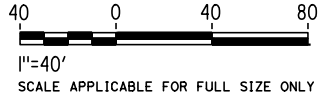
ELEVATION

SCALE 1" = 40'



PLAN

SCALE 1" = 40'



REV	DATE	BY	CHK	APP	DESCRIPTION

DESIGNED BY
ROBERT BARTON
DRAWN BY
YIHONG WANG
CHECKED BY
R. GOLCHOBIAN
IN CHARGE
STEVE SMITH
DATE
10/31/2017

**RECORD
PEPD
SUBMITTAL**

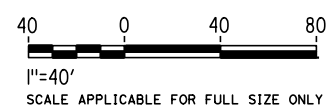
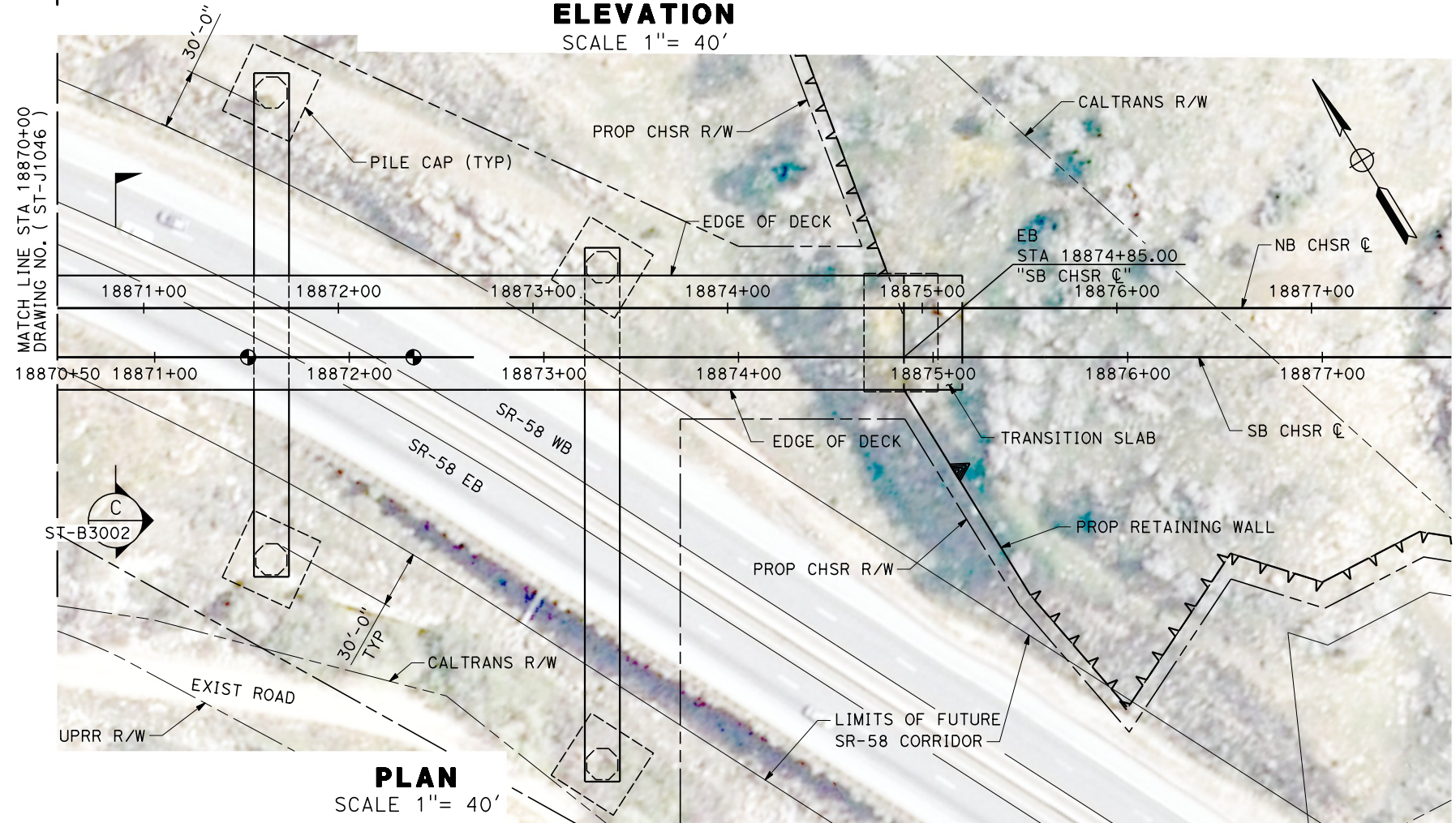
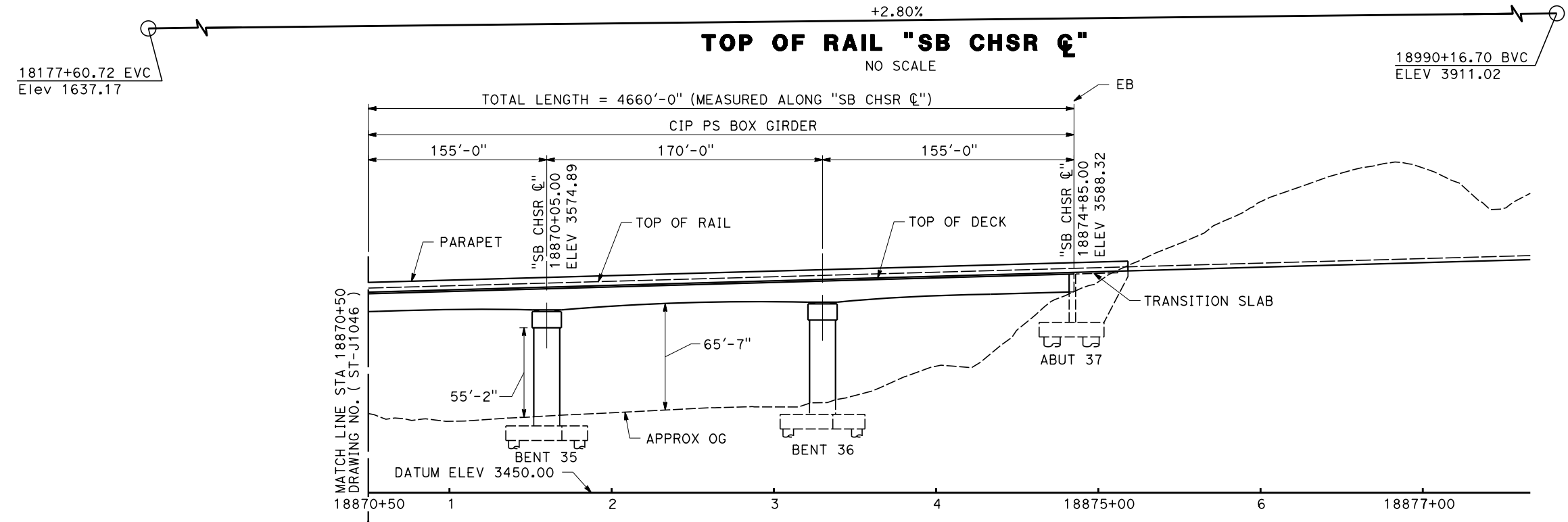
**NOT FOR
CONSTRUCTION**



CALIFORNIA HIGH-SPEED RAIL PROJECT
BAKERSFIELD TO PALMDALE
ALTERNATIVES 1,2,3,5
TRACK STRUCTURES
VIADUCT STATION 18828+25 TO 18874+85
PLAN AND ELEVATION

CONTRACT NO.
HSR13-44
DRAWING NO.
ST-J1046
SCALE
AS SHOWN
SHEET NO.

Projects\701206_00_CHSRBP\00_CADD\Sheet Files\ST\BP-ST-J1047.dgn
10/30/2017 11:08:49 AM
TYLIN\Wang



REV	DATE	BY	CHK	APP	DESCRIPTION

DESIGNED BY
ROBERT BARTON
DRAWN BY
YIHONG WANG
CHECKED BY
R. GOLCHOBIAN
IN CHARGE
STEVE SMITH
DATE
10/31/2017

**RECORD
PEPD
SUBMITTAL**

**NOT FOR
CONSTRUCTION**

TYLIN INTERNATIONAL



**CALIFORNIA HIGH-SPEED RAIL PROJECT
BAKERSFIELD TO PALMDALE**

ALTERNATIVES 1,2,3,5
TRACK STRUCTURES
VIADUCT STATION 18828+25 TO 18874+85
PLAN AND ELEVATION

CONTRACT NO.
HSR13-44

DRAWING NO.
ST-J1047

SCALE
AS SHOWN

SHEET NO.

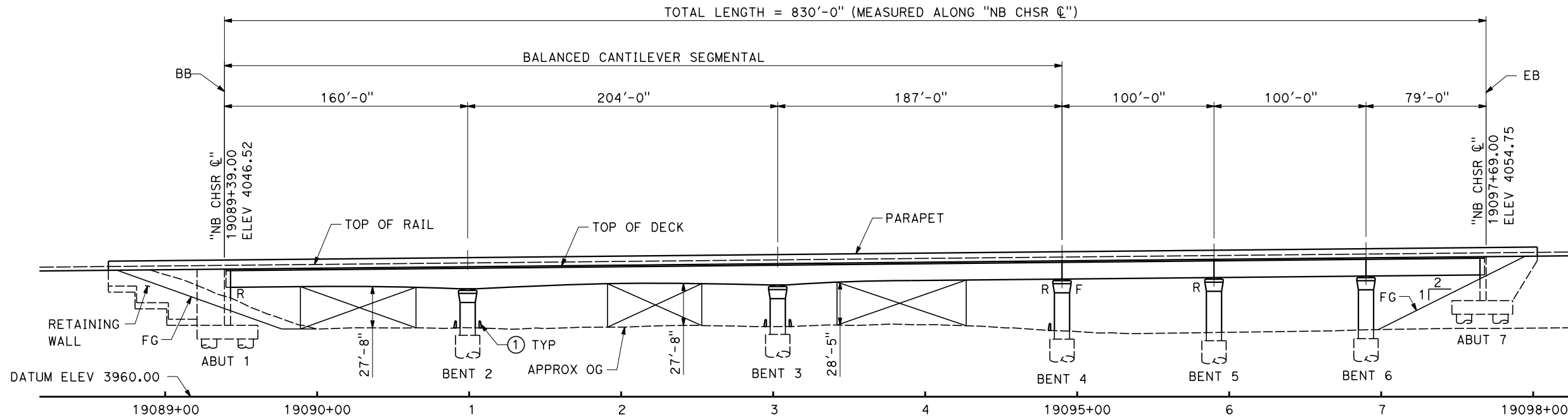
19031+16.70 EVC
ELEV 3988.73

0.99%

19319+71.60 BVC
ELEV 4275.12

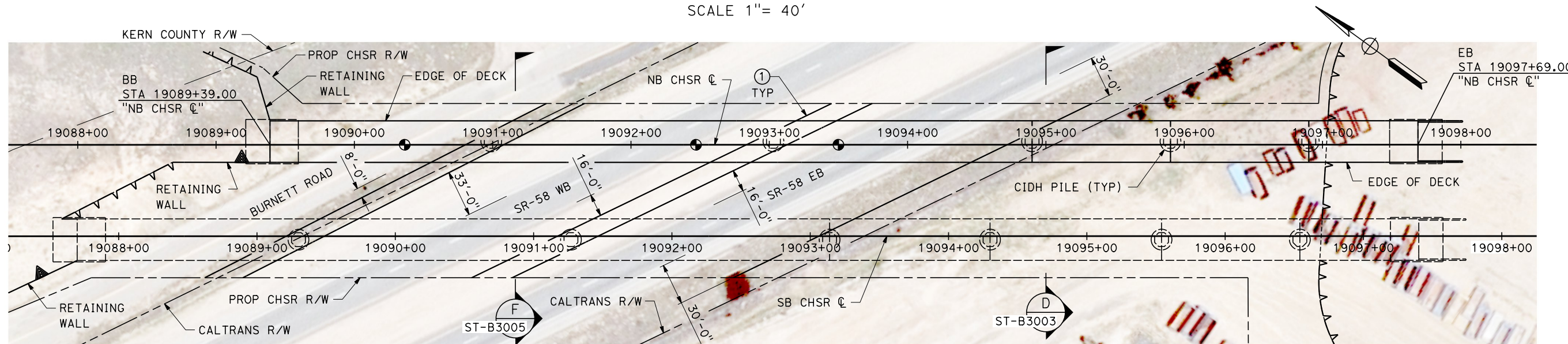
TOP OF RAIL "NB CHSR C"

NO SCALE



ELEVATION

SCALE 1" = 40'



PLAN

SCALE 1" = 40'



1"=40'
SCALE APPLICABLE FOR FULL SIZE ONLY

DESIGNED BY
ROBERT BARTON
DRAWN BY
YIHONG WANG
CHECKED BY
R. GOLCHOBIAN
IN CHARGE
STEVE SMITH
DATE
10/31/2017

**RECORD
PEPD
SUBMITTAL**

**NOT FOR
CONSTRUCTION**

TYLIN INTERNATIONAL



CALIFORNIA
HIGH-SPEED RAIL AUTHORITY

**CALIFORNIA HIGH-SPEED RAIL PROJECT
BAKERSFIELD TO PALMDALE**

ALTERNATIVES 1,2,3,5
TRACK STRUCTURES
SR 58 NORTH UNDERPASS
PLAN AND ELEVATION

CONTRACT NO.
HSR13-44

DRAWING NO.
ST-J1048

SCALE
AS SHOWN

SHEET NO.

Projects\701206_00_CHSRBP\00_CADD\Sheet_Files\ST\BP-ST-J1048.dgn

10/30/2017 11:17:55 AM

TYLIN\Wang

REV	DATE	BY	CHK	APP	DESCRIPTION

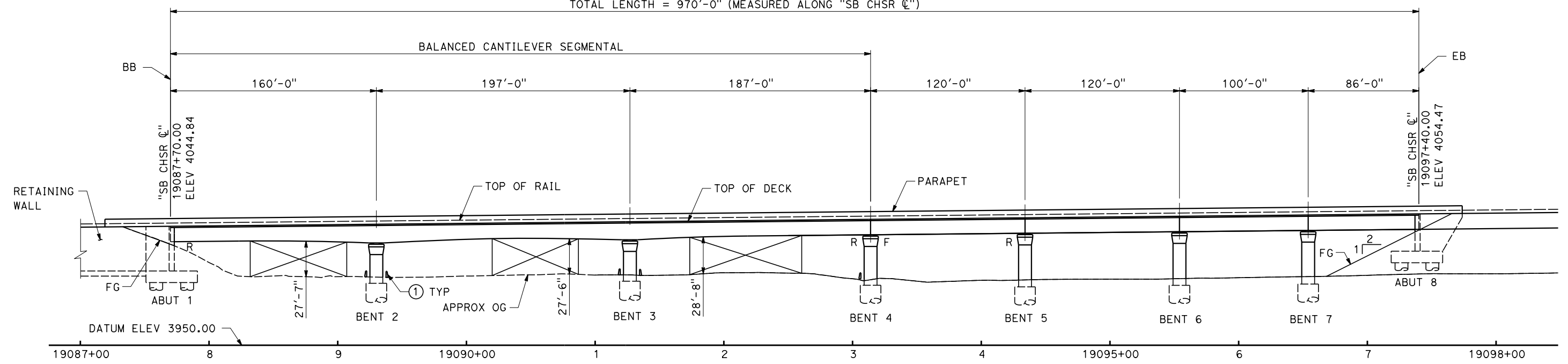
19031+16.70 EVC
ELEV 3988.73

0.99%

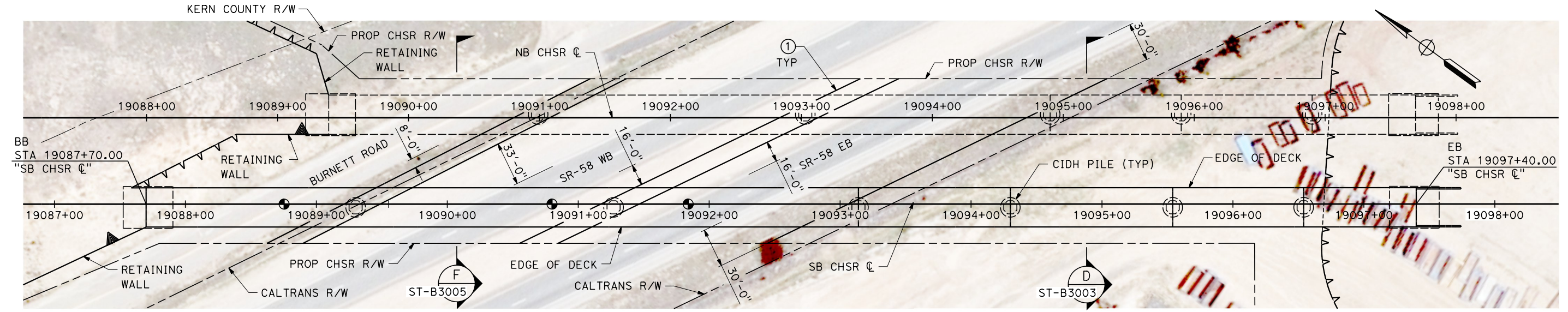
19319+65.57 BVC
ELEV 4275.06

TOP OF RAIL "SB CHSR ☐"
NO SCALE

TOTAL LENGTH = 970'-0" (MEASURED ALONG "SB CHSR ☐")



ELEVATION
SCALE 1" = 40'



PLAN
SCALE 1" = 40'

40 0 40 80
1"=40'
SCALE APPLICABLE FOR FULL SIZE ONLY

Projects\701206_00_CHSRBP\00_CADD\Sheet_Files\ST\BP-ST-J1049.dgn
11:08:55 AM
10/30/2017
TYLIN\Wang

REV	DATE	BY	CHK	APP	DESCRIPTION

DESIGNED BY
ROBERT BARTON
DRAWN BY
YIHONG WANG
CHECKED BY
R. GOLCHOBIAN
IN CHARGE
STEVE SMITH
DATE
10/31/2017

**RECORD
PEPD
SUBMITTAL**

**NOT FOR
CONSTRUCTION**



**CALIFORNIA HIGH-SPEED RAIL PROJECT
BAKERSFIELD TO PALMDALE**

ALTERNATIVES 1,2,3,5
TRACK STRUCTURES
SR 58 SOUTH UNDERPASS
PLAN AND ELEVATION

CONTRACT NO.
HSR13-44
DRAWING NO.
ST-J1049
SCALE
AS SHOWN
SHEET NO.

19031+16.70 EVC
ELEV 3988.73

0.99%

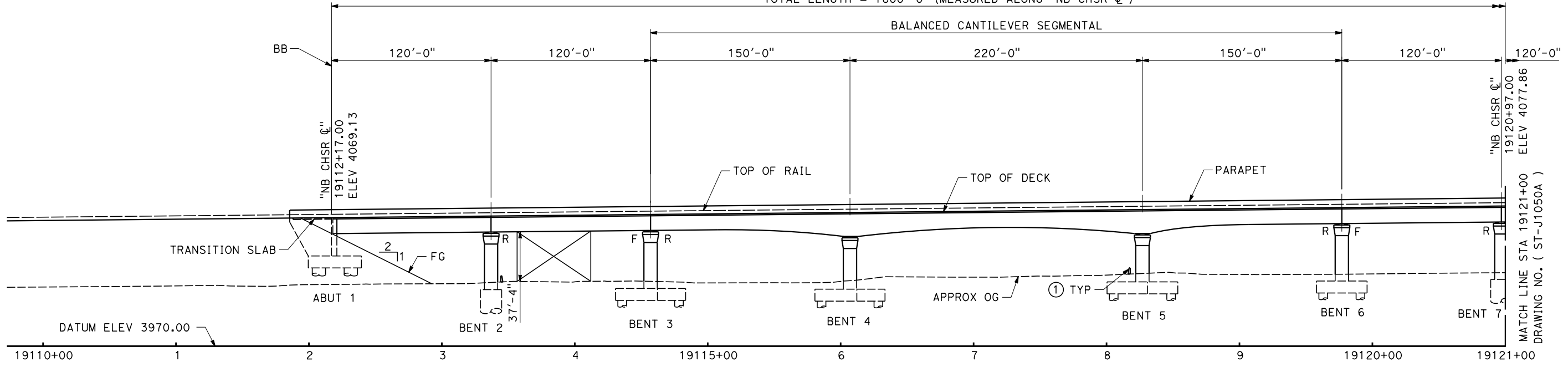
19319+71.60 BVC
ELEV 4275.12

TOP OF RAIL "NB CHSR ☉"

NO SCALE

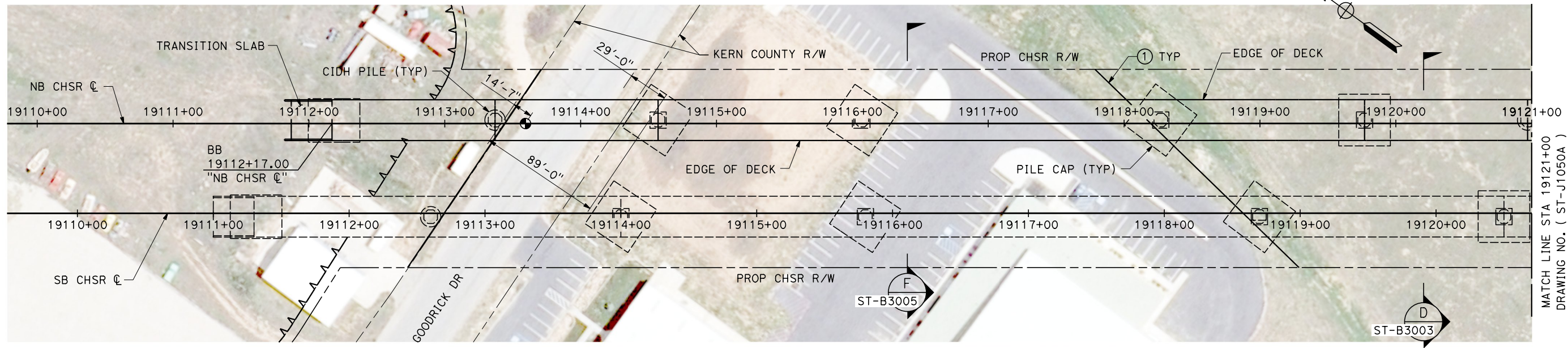
TOTAL LENGTH = 1800'-0" (MEASURED ALONG "NB CHSR ☉")

BALANCED CANTILEVER SEGMENTAL



ELEVATION

SCALE 1" = 40'



PLAN

SCALE 1" = 40'



1"=40'
SCALE APPLICABLE FOR FULL SIZE ONLY

Projects\701206_00_CHSRBP\00_CADD\Sheet_Files\ST\BP-ST-J1050.dgn
11:22:00 AM
10/30/2017
TYLIN\Wang

REV	DATE	BY	CHK	APP	DESCRIPTION

DESIGNED BY
ROBERT BARTON
DRAWN BY
YIHONG WANG
CHECKED BY
R. GOLCHOBIAN
IN CHARGE
STEVE SMITH
DATE
10/31/2017

**RECORD
PEPD
SUBMITTAL**

**NOT FOR
CONSTRUCTION**

TYLIN INTERNATIONAL



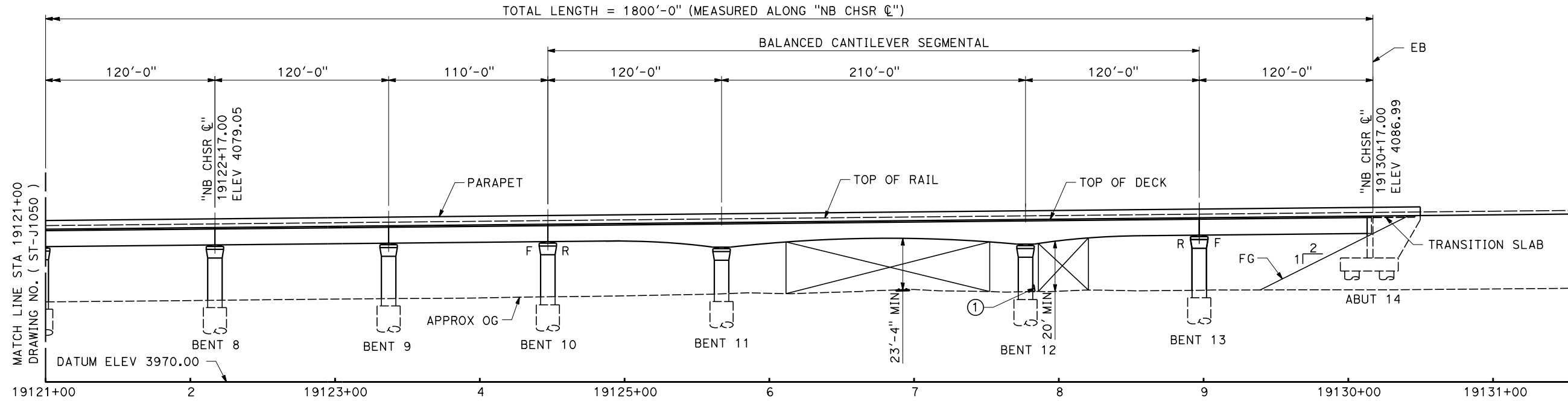
CALIFORNIA HIGH-SPEED RAIL PROJECT
BAKERSFIELD TO PALMDALE
ALTERNATIVES 1,2,3,5
TRACK STRUCTURES
GOODRICK DRIVE-TEHACHAPI BLVD NORTH VIADUCT
PLAN AND ELEVATION

CONTRACT NO.
HSR13-44
DRAWING NO.
ST-J1050
SCALE
AS SHOWN
SHEET NO.

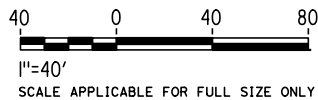
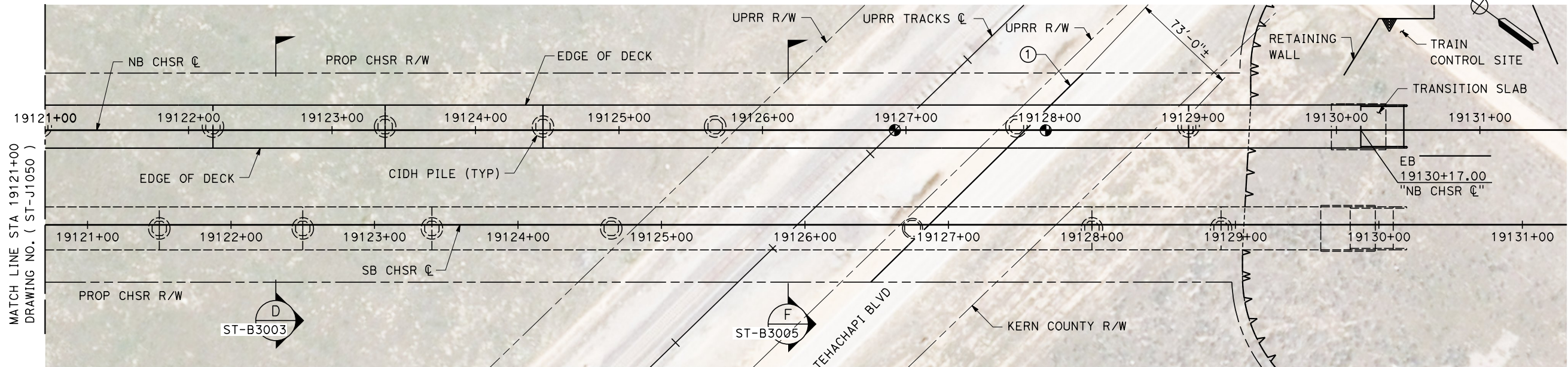
Projects\701206_00_CHSRBP\00_CADD\Sheet Files\ST\BP-ST-J1050A.dgn

11:23:06 AM
10/30/2017

TYLIN\Wang



ELEVATION
SCALE 1" = 40'



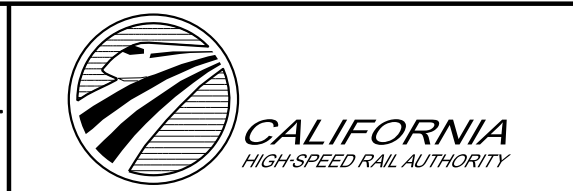
PLAN
SCALE 1" = 40'

REV	DATE	BY	CHK	APP	DESCRIPTION

DESIGNED BY
ROBERT BARTON
DRAWN BY
YIHONG WANG
CHECKED BY
R. GOLCHOBIAN
IN CHARGE
STEVE SMITH
DATE
10/31/2017

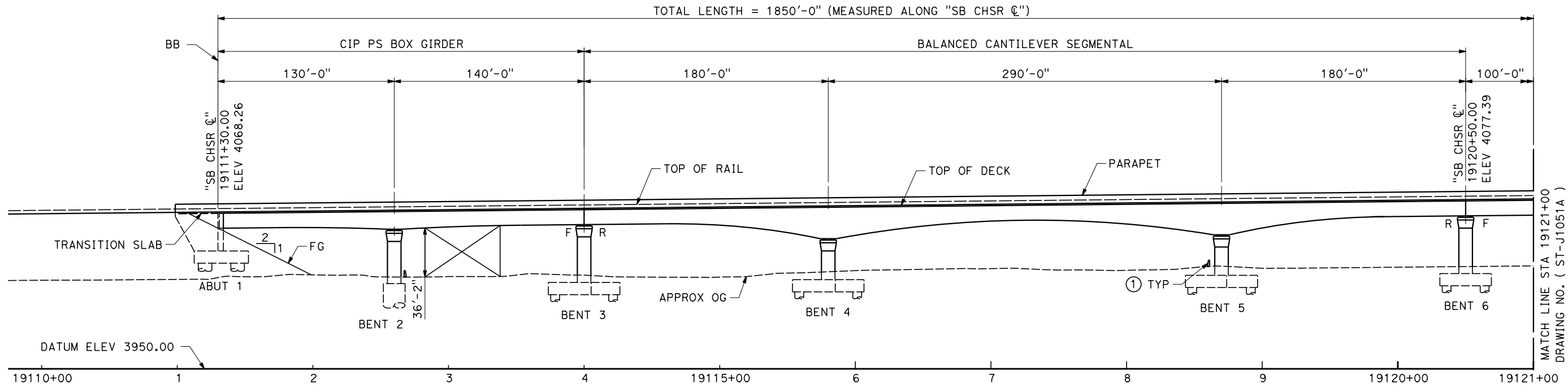
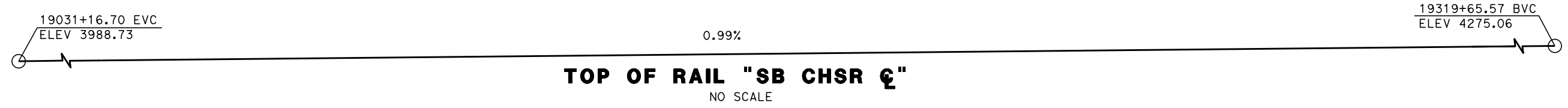
**RECORD
PEPD
SUBMITTAL**

**NOT FOR
CONSTRUCTION**

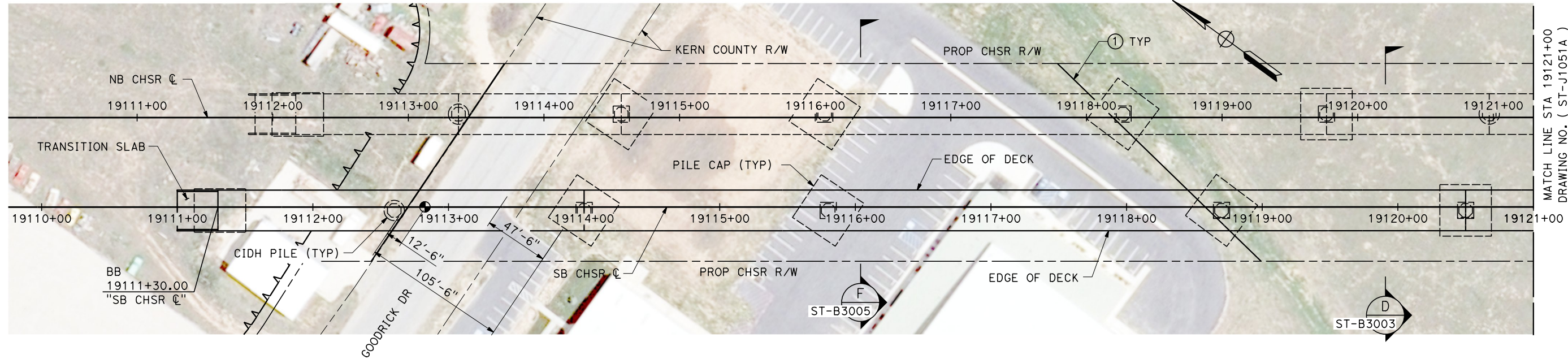


**CALIFORNIA HIGH-SPEED RAIL PROJECT
BAKERSFIELD TO PALMDALE**
ALTERNATIVES 1,2,3,5
TRACK STRUCTURES
GOODRICK DRIVE-TEHACHAPI BLVD NORTH VIADUCT
PLAN AND ELEVATION

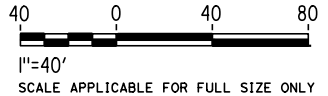
CONTRACT NO.
HSR13-44
DRAWING NO.
ST-J1050A
SCALE
AS SHOWN
SHEET NO.



ELEVATION
SCALE 1" = 40'



PLAN
SCALE 1" = 40'



Projects\701206_00_CHSRBP\00_CADD\Sheet Files\ST\BP-ST-J1051.dgn

10/30/2017 11:09:31 AM

TYLIN\Wang

REV	DATE	BY	CHK	APP	DESCRIPTION

DESIGNED BY
ROBERT BARTON

DRAWN BY
YIHONG WANG

CHECKED BY
R. GOLCHOBIAN

IN CHARGE
STEVE SMITH

DATE
10/31/2017

**RECORD
PEPD
SUBMITTAL**

**NOT FOR
CONSTRUCTION**



CALIFORNIA HIGH-SPEED RAIL PROJECT
BAKERSFIELD TO PALMDALE

ALTERNATIVES 1,2,3,5
TRACK STRUCTURES

GOODRICK DRIVE-TEHACHAPI BLVD SOUTH VIADUCT
PLAN AND ELEVATION

CONTRACT NO.
HSR13-44

DRAWING NO.
ST-J1051

SCALE
AS SHOWN

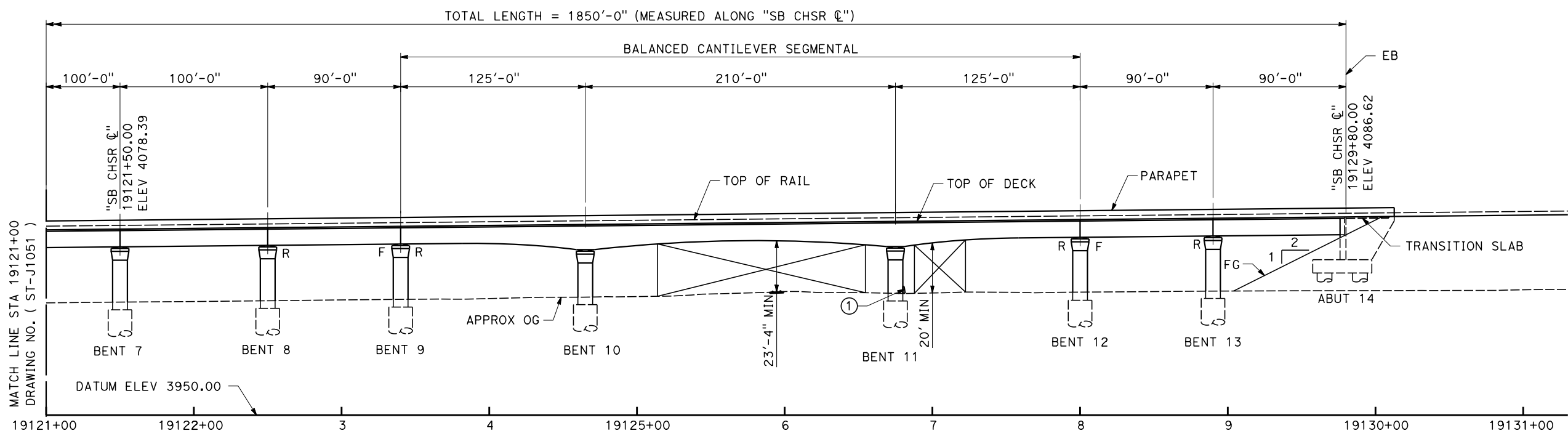
SHEET NO.

19031+16.70 EVC
ELEV 3988.73

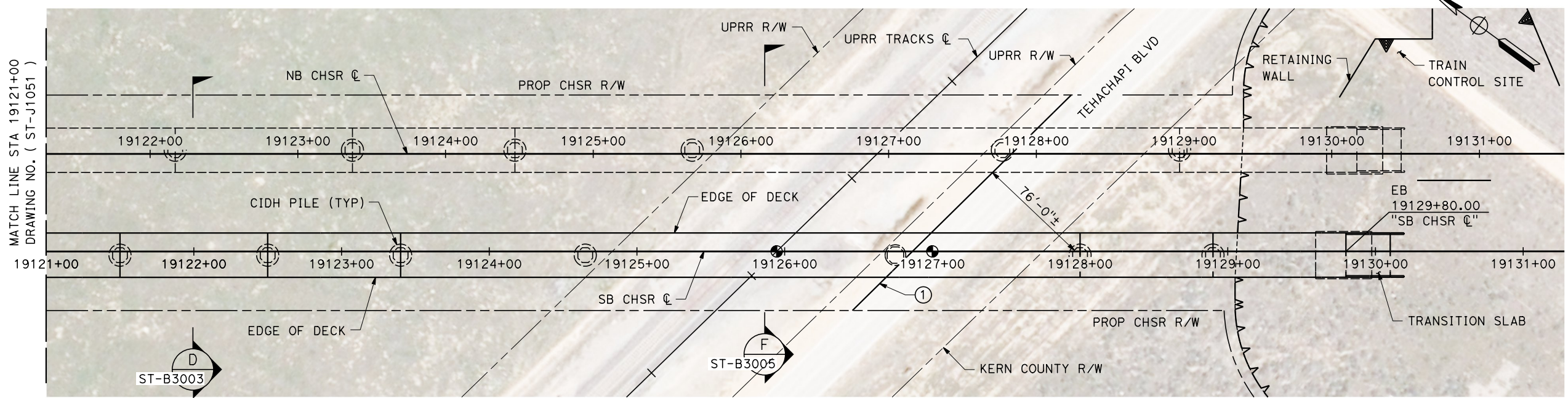
19319+65.57 BVC
ELEV 4275.06

0.99%

TOP OF RAIL "SB CHSR ☐"
NO SCALE



ELEVATION
SCALE 1" = 40'



PLAN
SCALE 1" = 40'



1"=40'
SCALE APPLICABLE FOR FULL SIZE ONLY

Projects\701206_00_CHSRBP\00_CADD\Sheet Files\ST\BP-ST-J1051A.dgn

11:18:27 AM

10/30/2017

TYLW

REV	DATE	BY	CHK	APP	DESCRIPTION

DESIGNED BY
ROBERT BARTON

DRAWN BY
YIHONG WANG

CHECKED BY
R. GOLCHOBIAN

IN CHARGE
STEVE SMITH

DATE
10/31/2017

**RECORD
PEPD
SUBMITTAL**

**NOT FOR
CONSTRUCTION**



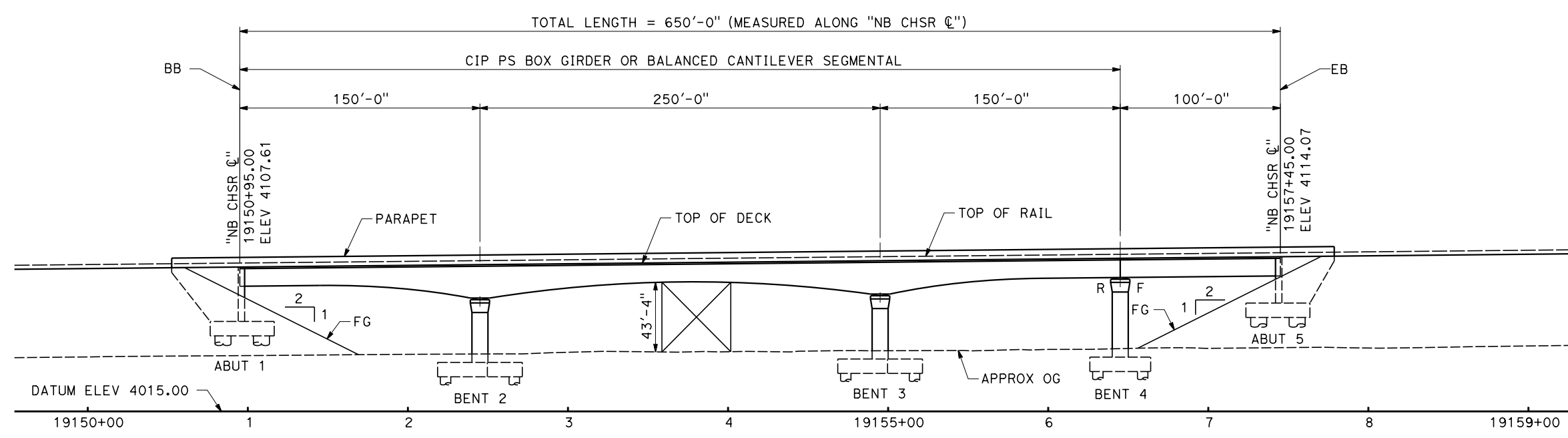
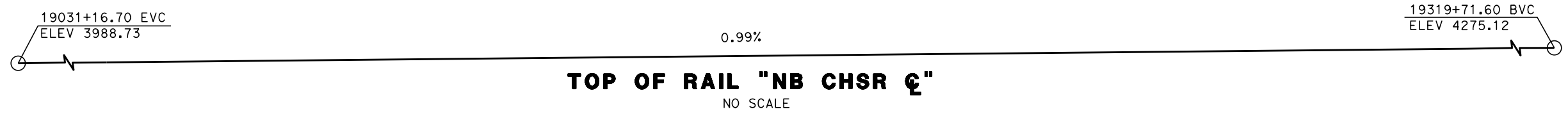
CALIFORNIA HIGH-SPEED RAIL PROJECT
BAKERSFIELD TO PALMDALE
ALTERNATIVES 1,2,3,5
TRACK STRUCTURES
GOODRICK DRIVE-TEHACHAPI BLVD SOUTH VIADUCT
PLAN AND ELEVATION

CONTRACT NO.
HSR13-44

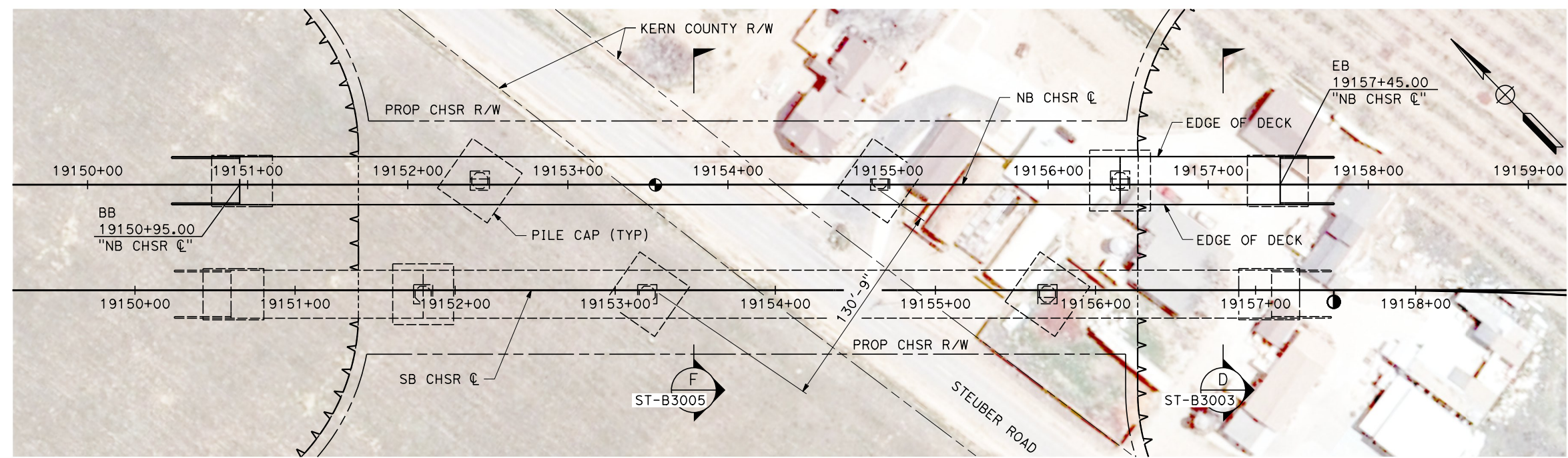
DRAWING NO.
ST-J1051A

SCALE
AS SHOWN

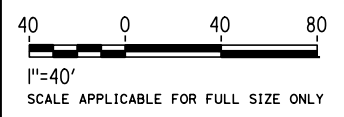
SHEET NO.



ELEVATION
SCALE 1" = 40'



PLAN
SCALE 1" = 40'



Projects\701206.00_CHSRBP\00_CADD\Sheet_Files\ST\BP-ST-J1052.dgn
10/30/2017 11:10:21 AM
TYLIN\Wang

REV	DATE	BY	CHK	APP	DESCRIPTION

DESIGNED BY
ROBERT BARTON
DRAWN BY
YIHONG WANG
CHECKED BY
R. GOLCHOBIAN
IN CHARGE
STEVE SMITH
DATE
10/31/2017

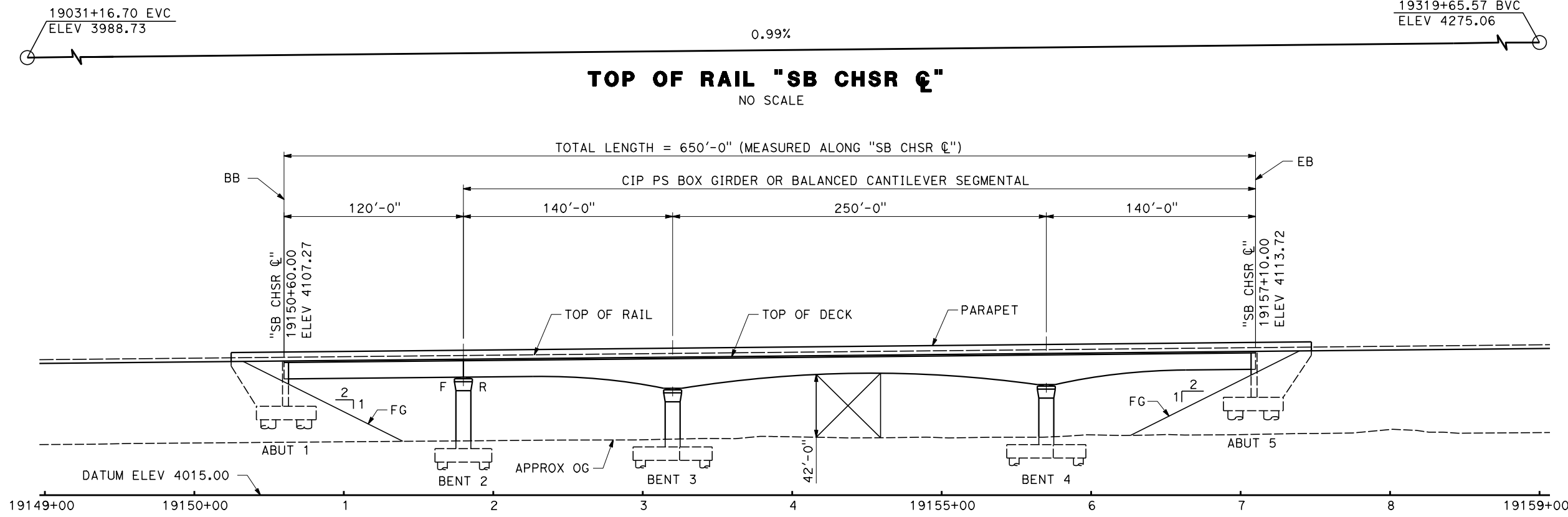
**RECORD
PEPD
SUBMITTAL**

**NOT FOR
CONSTRUCTION**

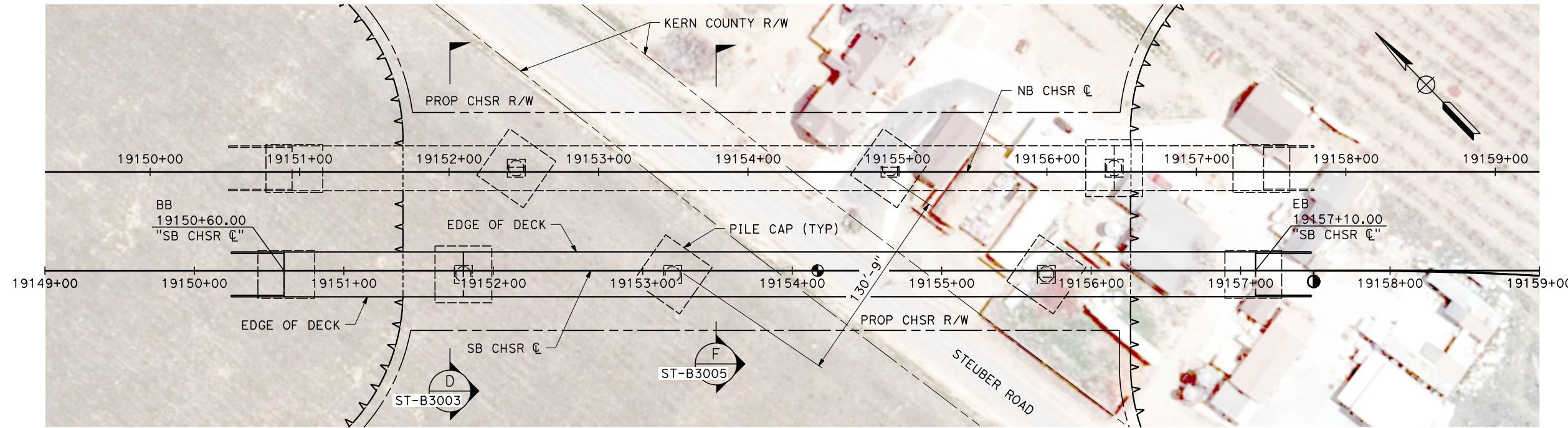


**CALIFORNIA HIGH-SPEED RAIL PROJECT
BAKERSFIELD TO PALMDALE**
ALTERNATIVES 1,2,3,5
TRACK STRUCTURES
STUBER ROAD NORTH UNDERPASS
PLAN AND ELEVATION

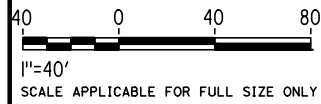
CONTRACT NO.
HSR13-44
DRAWING NO.
ST-J1052
SCALE
AS SHOWN
SHEET NO.



ELEVATION
SCALE 1" = 40'



PLAN
SCALE 1" = 40'



REV	DATE	BY	CHK	APP	DESCRIPTION

DESIGNED BY
ROBERT BARTON

DRAWN BY
YIHONG WANG

CHECKED BY
R. GOLCHOBIAN

IN CHARGE
STEVE SMITH

DATE
10/31/2017

**RECORD
PEPD
SUBMITTAL**

**NOT FOR
CONSTRUCTION**

TYLIN INTERNATIONAL



CALIFORNIA HIGH-SPEED RAIL PROJECT
BAKERSFIELD TO PALMDALE
ALTERNATIVES 1,2,3,5
TRACK STRUCTURES
STEUBER ROAD SOUTH UNDERPASS
PLAN AND ELEVATION

CONTRACT NO.
HSR13-44

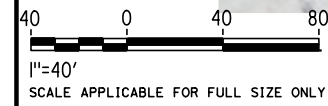
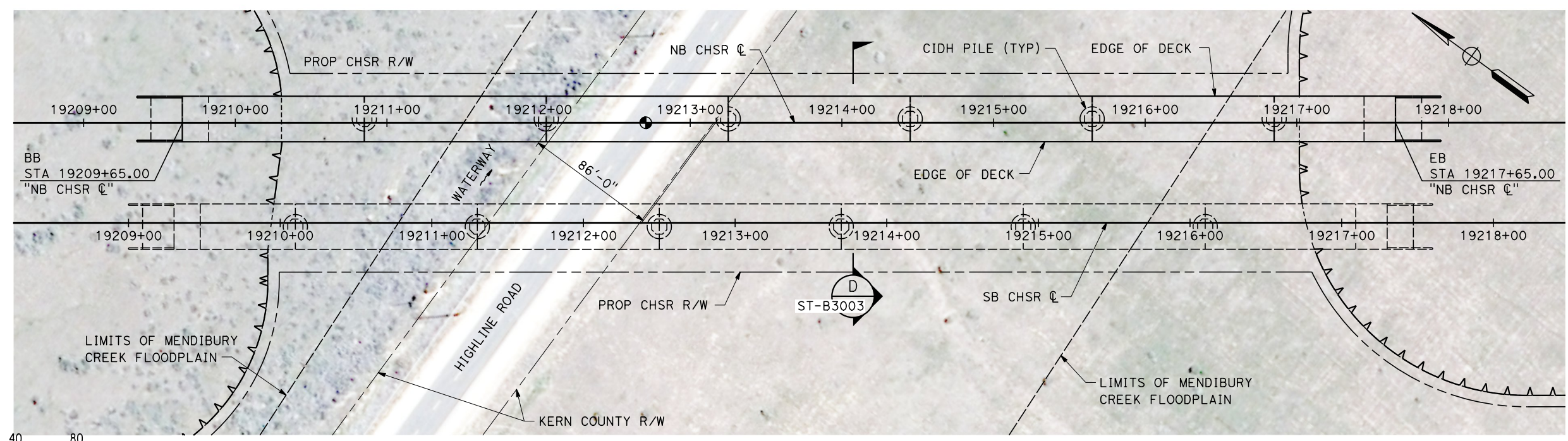
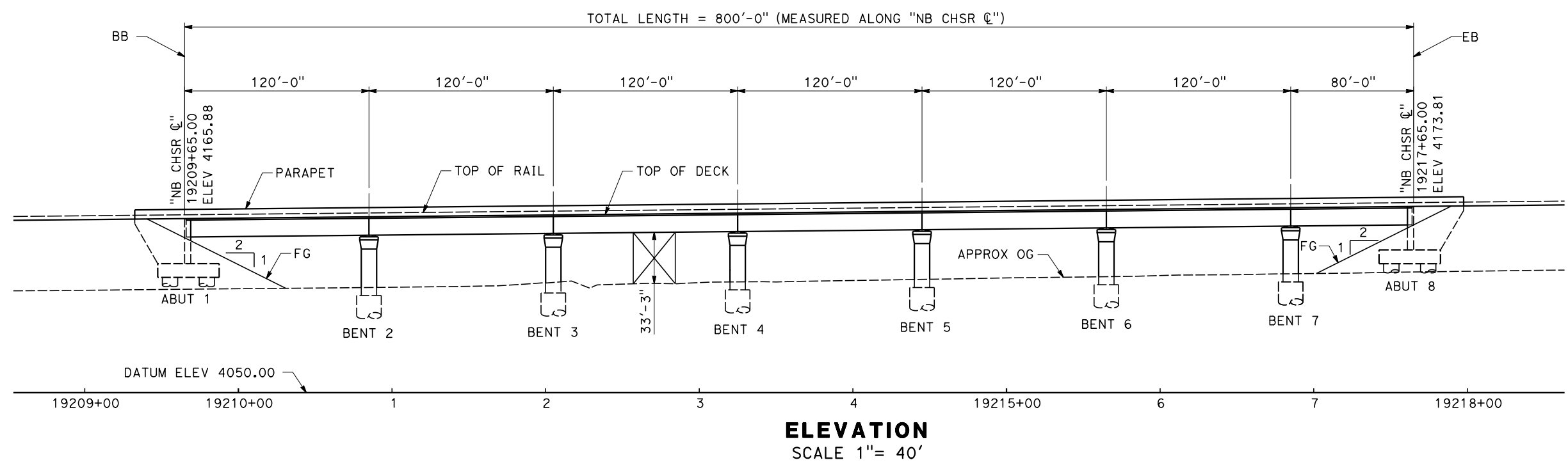
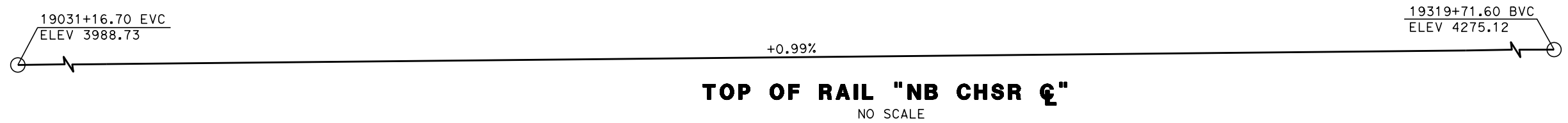
DRAWING NO.
ST-J1053

SCALE
AS SHOWN

SHEET NO.

Projects\701206_00_CHSRBP\00_CADD\Sheet Files\ST\BP-ST-J1053.dgn
11:09:04 AM
10/30/2017
TYLIN\Wang

Projects\701206_00_CHSRBP\00_CADD\Sheet_Files\ST\BP-ST-J1054.dgn
10/30/2017 11:11:00 AM
TYLWang



PLAN
SCALE 1" = 40'

REV	DATE	BY	CHK	APP	DESCRIPTION

DESIGNED BY
ROBERT BARTON
DRAWN BY
YIHONG WANG
CHECKED BY
R. GOLCHOBIAN
IN CHARGE
STEVE SMITH
DATE
10/31/2017

**RECORD
PEPD
SUBMITTAL**

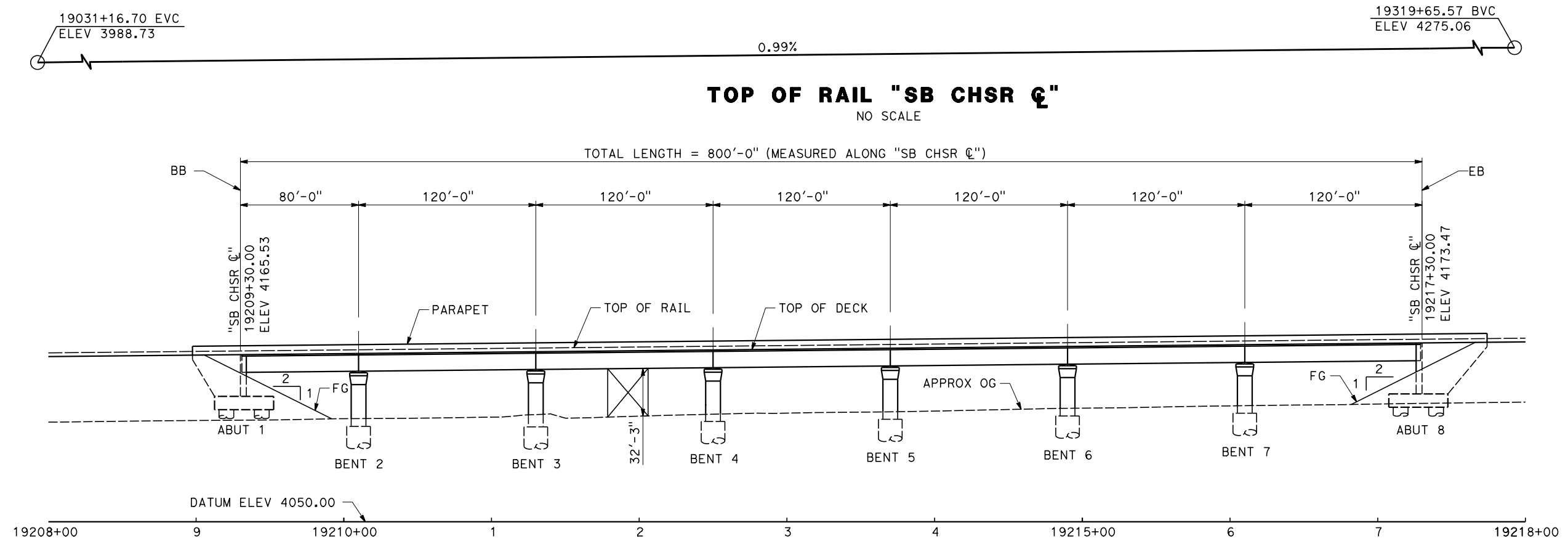
**NOT FOR
CONSTRUCTION**



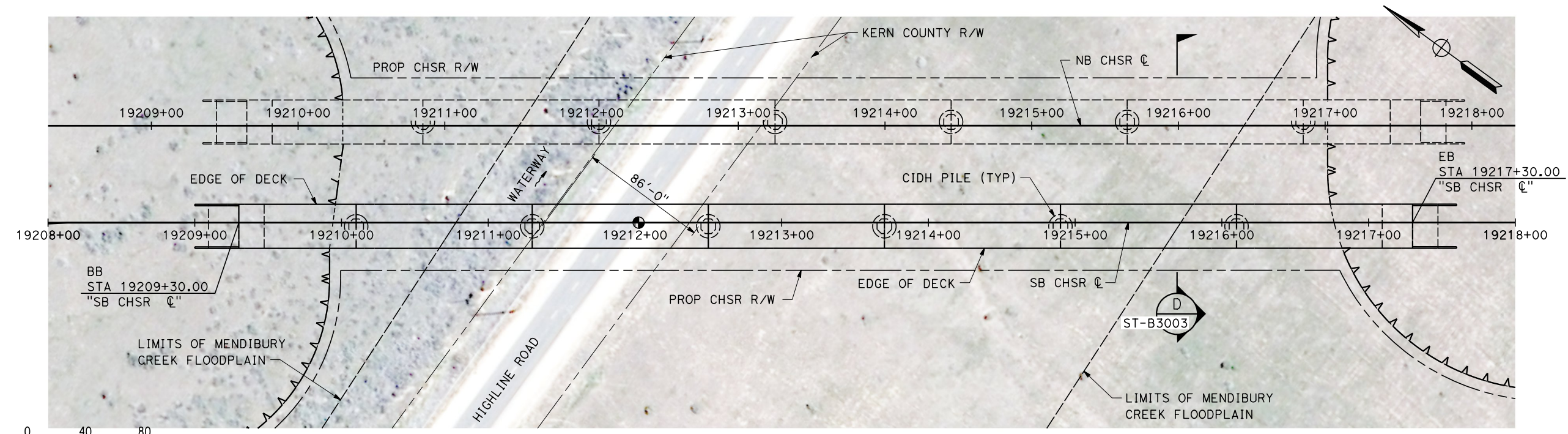
CALIFORNIA HIGH-SPEED RAIL PROJECT
BAKERSFIELD TO PALMDALE
ALTERNATIVES 1,2,3,5
TRACK STRUCTURES
HIGHLINE ROAD NORTH UNDERPASS
PLAN AND ELEVATION

CONTRACT NO.
HSR13-44
DRAWING NO.
ST-J1054
SCALE
AS SHOWN
SHEET NO.

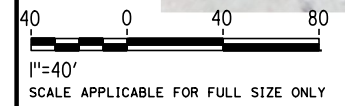
Projects\701206_00_CHSRBP\00_CADD\Sheet_Files\ST\BP-ST-J1055.dgn
11:09:19 AM
10/30/2017
TYLIN\Wang



ELEVATION
SCALE 1" = 40'



PLAN
SCALE 1" = 40'



REV	DATE	BY	CHK	APP	DESCRIPTION

DESIGNED BY
ROBERT BARTON
DRAWN BY
YIHONG WANG
CHECKED BY
R. GOLCHOBIAN
IN CHARGE
STEVE SMITH
DATE
10/31/2017

**RECORD
PEPD
SUBMITTAL**

**NOT FOR
CONSTRUCTION**

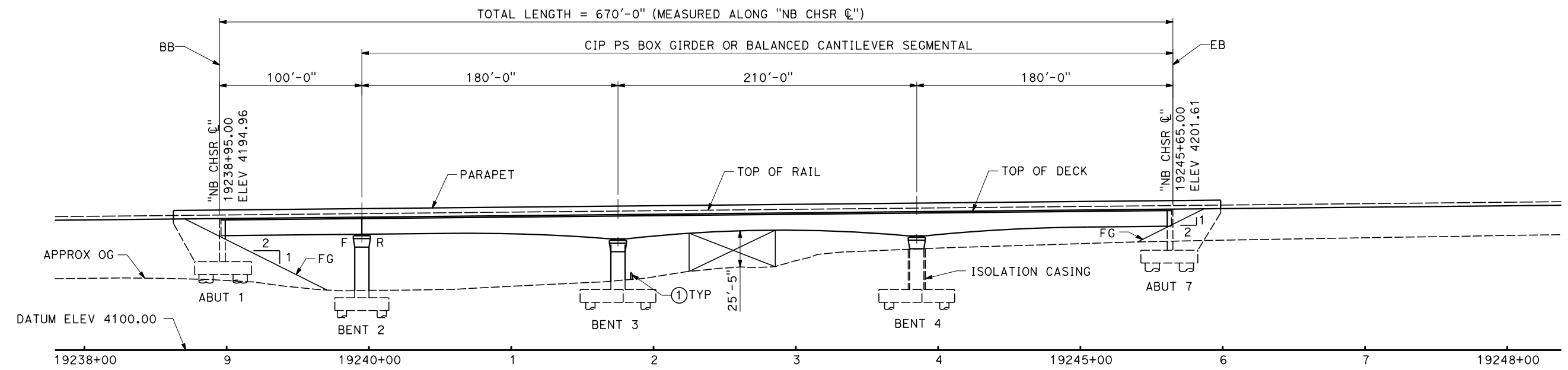


CALIFORNIA HIGH-SPEED RAIL PROJECT
BAKERSFIELD TO PALMDALE
ALTERNATIVES 1,2,3,5
TRACK STRUCTURES
HIGHLINE ROAD SOUTH UNDERPASS
PLAN AND ELEVATION

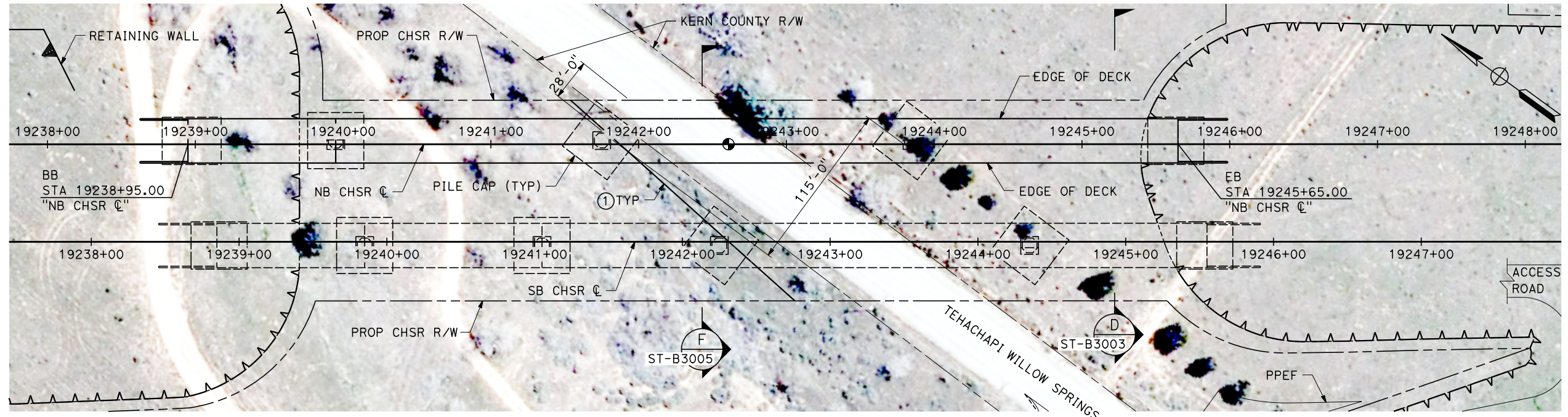
CONTRACT NO.
HSR13-44
DRAWING NO.
ST-J1055
SCALE
AS SHOWN
SHEET NO.

19031+16.70 EVC ELEV 3988.73 19319+71.60 BVC ELEV 4275.12
 0.99%

TOP OF RAIL "NB CHSR ☐"
 NO SCALE

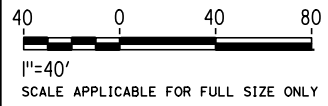


ELEVATION
 SCALE 1" = 40'



PLAN
 SCALE 1" = 40'

Projects\701206_00_CHSRBP\00_CADD\Sheet_Files\ST\BP-ST-J1056.dgn
 10/30/2017 11:11:14 AM
 TYLIN\Wang



REV	DATE	BY	CHK	APP	DESCRIPTION

DESIGNED BY
ROBERT BARTON
 DRAWN BY
YIHONG WANG
 CHECKED BY
R. GOLCHOBIAN
 IN CHARGE
STEVE SMITH
 DATE
10/31/2017

**RECORD
 PECD
 SUBMITTAL**

**NOT FOR
 CONSTRUCTION**



CALIFORNIA HIGH-SPEED RAIL PROJECT
BAKERSFIELD TO PALMDALE
 ALTERNATIVES 1,2,3,5
 TRACK STRUCTURES
 TEHACHAPI WILLOW SPRINGS ROAD NORTH UNDERPASS - 1
 PLAN AND ELEVATION

CONTRACT NO.
HSR13-44
 DRAWING NO.
ST-J1056
 SCALE
AS SHOWN
 SHEET NO.

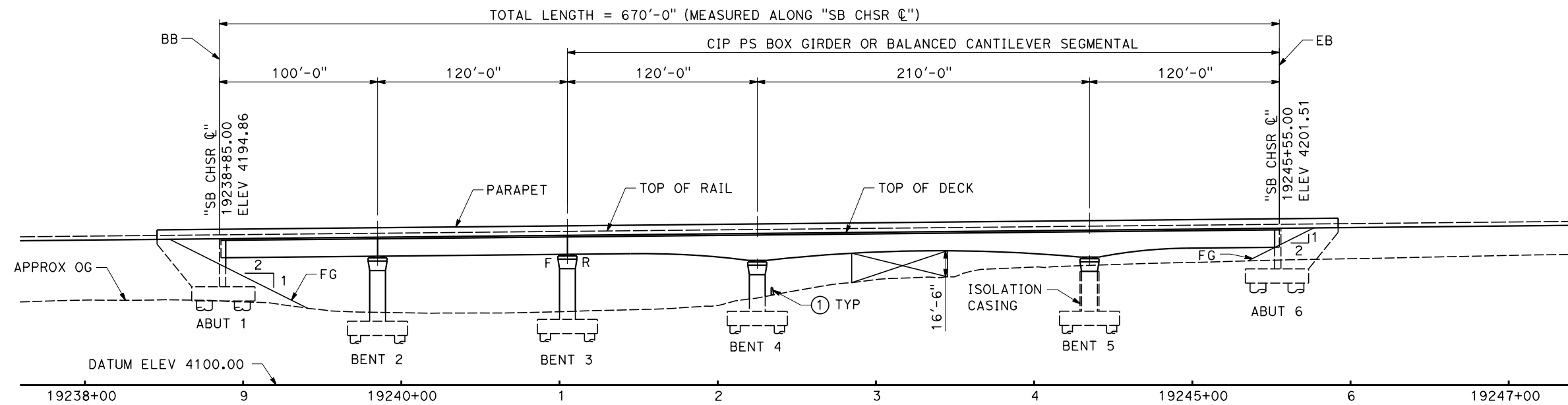
19031+16.70 EVC
ELEV 3988.73

0.99%

19319+65.57 BVC
ELEV 4275.06

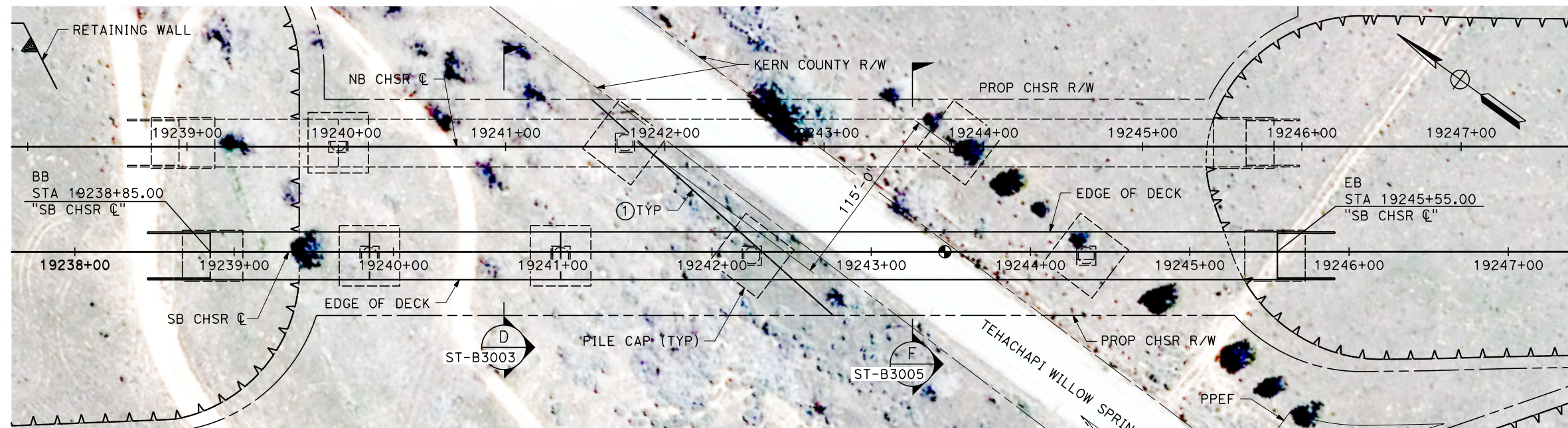
TOP OF RAIL "SB CHSR ☐"

NO SCALE



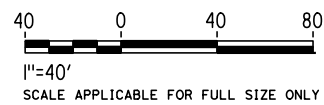
ELEVATION

SCALE 1" = 40'



PLAN

SCALE 1" = 40'



Projects\701206_00_CHSRBP\00_CADD\Sheet_Files\ST\BP-ST-J1057.dgn
10/30/2017 11:09:25 AM
TYLIN\Wang

REV	DATE	BY	CHK	APP	DESCRIPTION

DESIGNED BY
ROBERT BARTON

DRAWN BY
YIHONG WANG

CHECKED BY
R. GOLCHOBIAN

IN CHARGE
STEVE SMITH

DATE
10/31/2017

**RECORD
PEPD
SUBMITTAL**

**NOT FOR
CONSTRUCTION**



CALIFORNIA HIGH-SPEED RAIL PROJECT
BAKERSFIELD TO PALMDALE

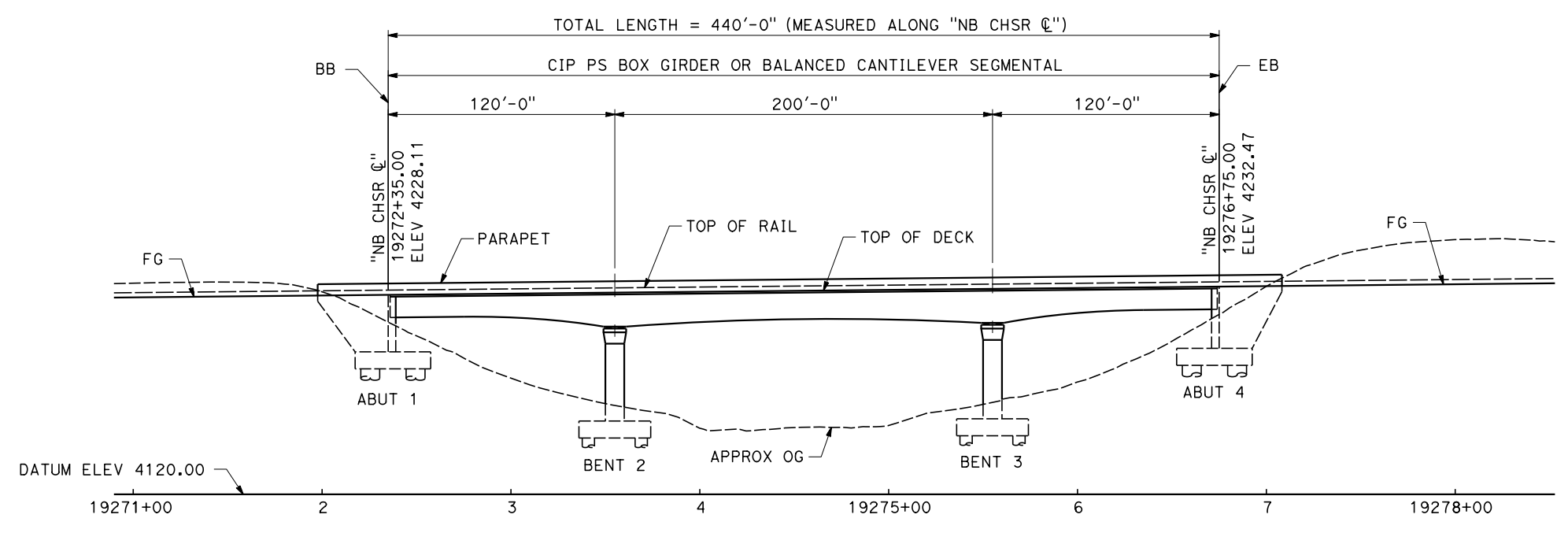
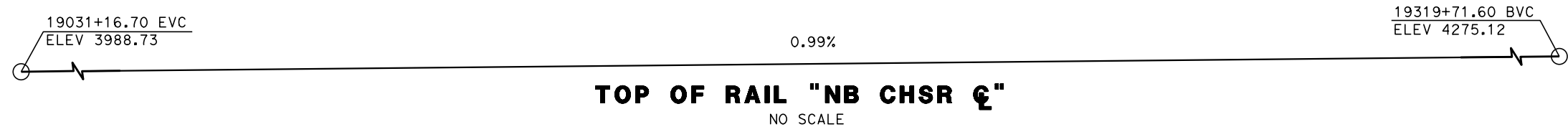
ALTERNATIVES 1,2,3,5
TRACK STRUCTURES
TEHACHAPI WILLOW SPRINGS ROAD SOUTH UNDERPASS - 1
PLAN AND ELEVATION

CONTRACT NO.
HSR13-44

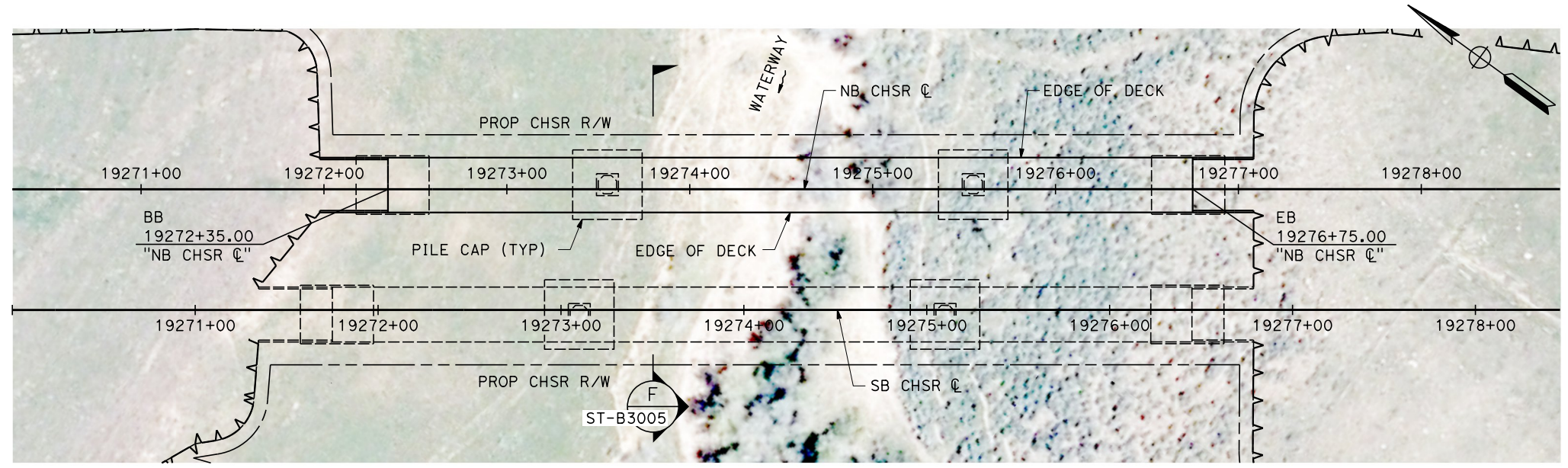
DRAWING NO.
ST-J1057

SCALE
AS SHOWN

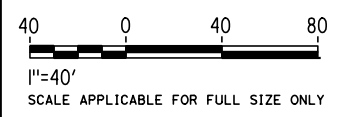
SHEET NO.



ELEVATION
SCALE 1" = 40'



PLAN
SCALE 1" = 40'



Projects\701206.00_CHSRBP\00_CADD\Sheet_Files\ST\BP-ST-J1058.dgn
10/30/2017 11:11:10 AM
TYLIN\Wang

REV	DATE	BY	CHK	APP	DESCRIPTION

DESIGNED BY
ROBERT BARTON
DRAWN BY
YIHONG WANG
CHECKED BY
R. GOLCHOBIAN
IN CHARGE
STEVE SMITH
DATE
10/31/2017

**RECORD
PEPD
SUBMITTAL**

**NOT FOR
CONSTRUCTION**



**CALIFORNIA HIGH-SPEED RAIL PROJECT
BAKERSFIELD TO PALMDALE**

ALTERNATIVES 1,2,3,5
TRACK STRUCTURES
NORTH UNDERPASS STATION 19272+35 TO 19276+75
PLAN AND ELEVATION

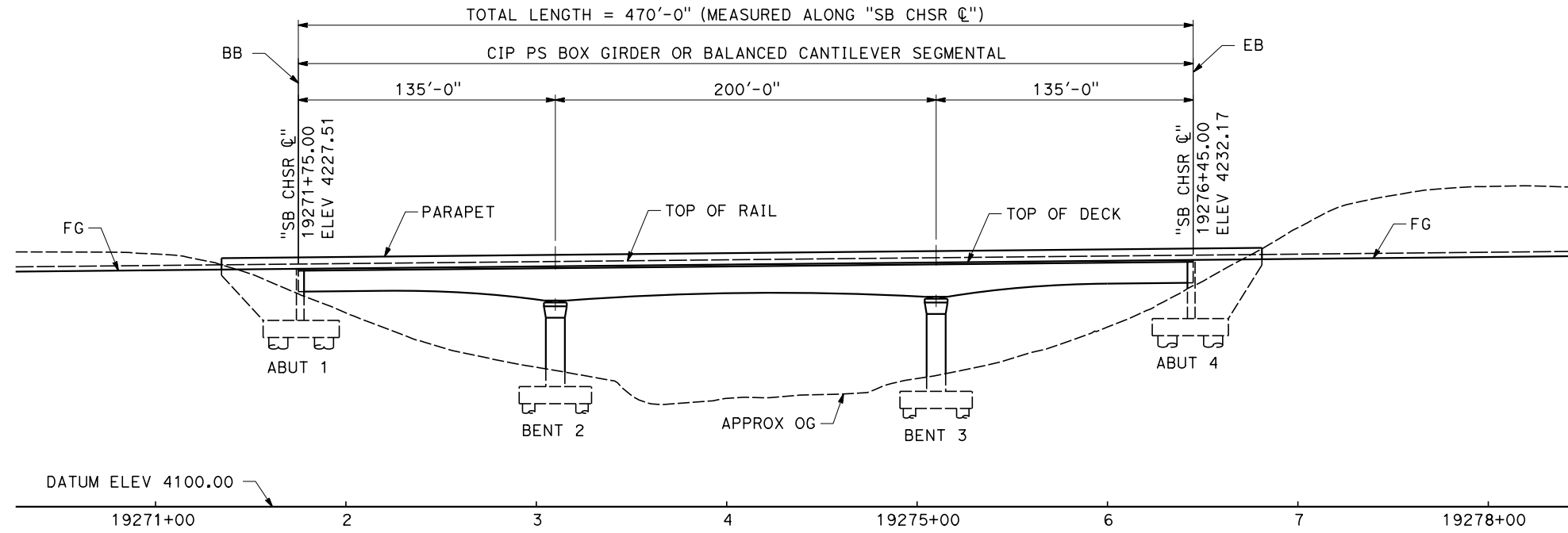
CONTRACT NO.
HSR13-44
DRAWING NO.
ST-J1058
SCALE
AS SHOWN
SHEET NO.

19031+16.70 EVC
ELEV 3988.73

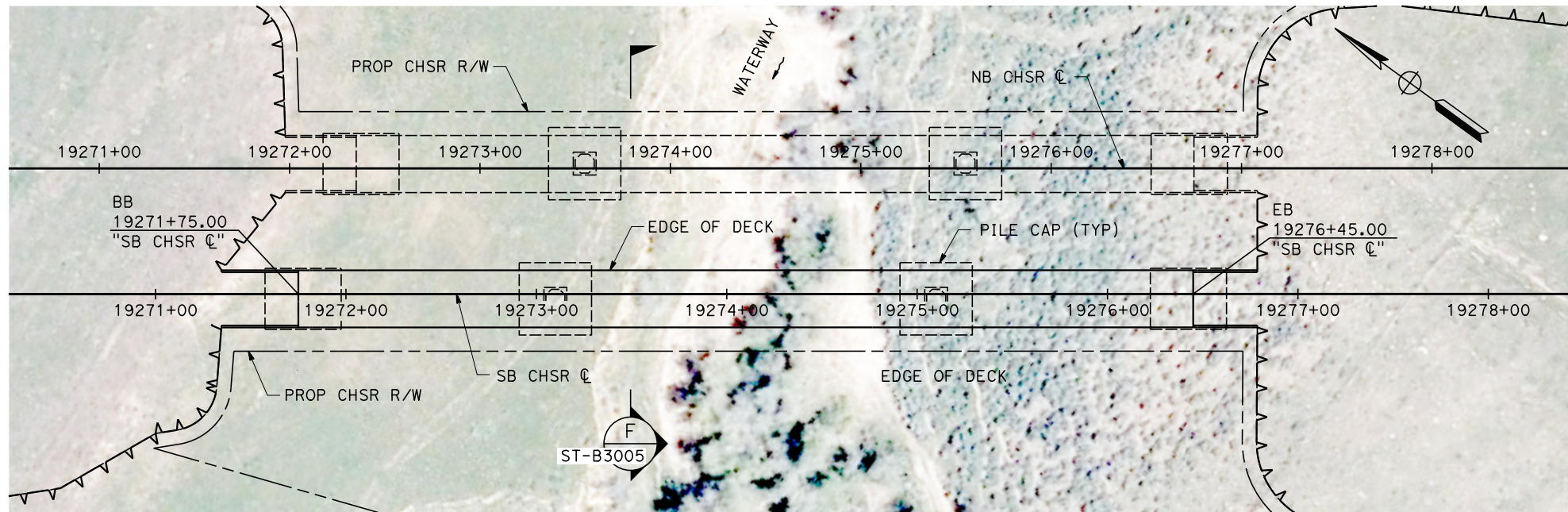
0.99%

19319+65.57 BVC
ELEV 4275.06

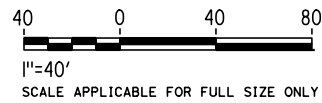
TOP OF RAIL "SB CHSR C"
NO SCALE



ELEVATION
SCALE 1" = 40'



PLAN
SCALE 1" = 40'



Projects\701206.00_CHSRBP\00_CADD\Sheet Files\ST\BP-ST-J1059.dgn

10/30/2017 11:09:26 AM

TYLIN\Wang

REV	DATE	BY	CHK	APP	DESCRIPTION

DESIGNED BY
ROBERT BARTON
DRAWN BY
YIHONG WANG
CHECKED BY
R. GOLCHOBIAN
IN CHARGE
STEVE SMITH
DATE
10/31/2017

**RECORD
PEPD
SUBMITTAL**

**NOT FOR
CONSTRUCTION**

TYLIN INTERNATIONAL



**CALIFORNIA HIGH-SPEED RAIL PROJECT
BAKERSFIELD TO PALMDALE**
ALTERNATIVES 1,2,3,5
TRACK STRUCTURES
SOUTH UNDERPASS STATION 19271+75 TO 19276+45
PLAN AND ELEVATION

CONTRACT NO.
HSR13-44
DRAWING NO.
ST-J1059
SCALE
AS SHOWN
SHEET NO.

19437+86.06 EVC
ELEV 4251.10

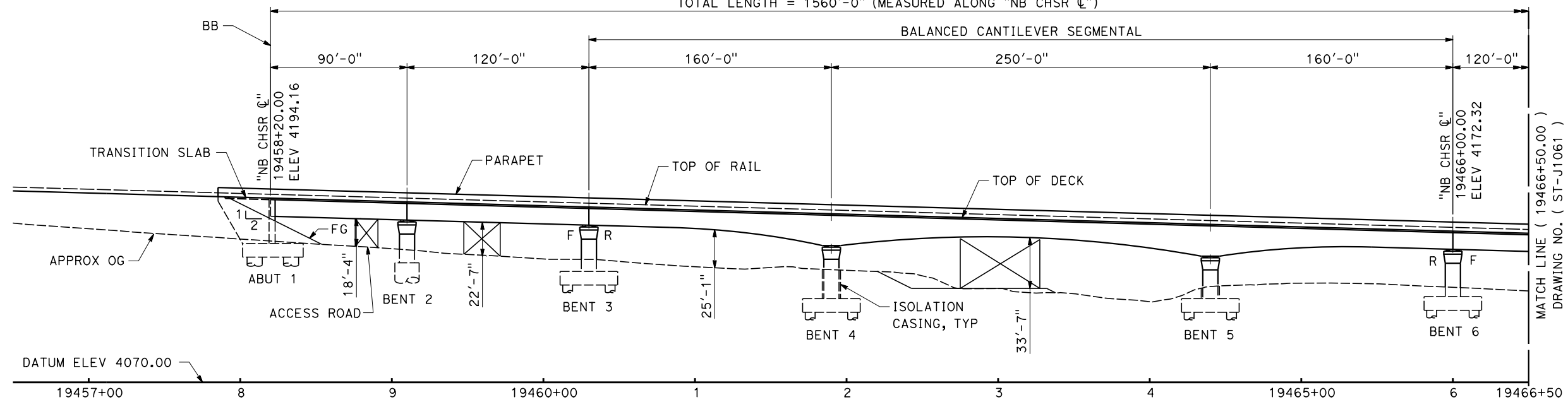
-2.80%

19884+91.15 BVC
ELEV 2999.54

TOP OF RAIL "NB CHSR ☉"

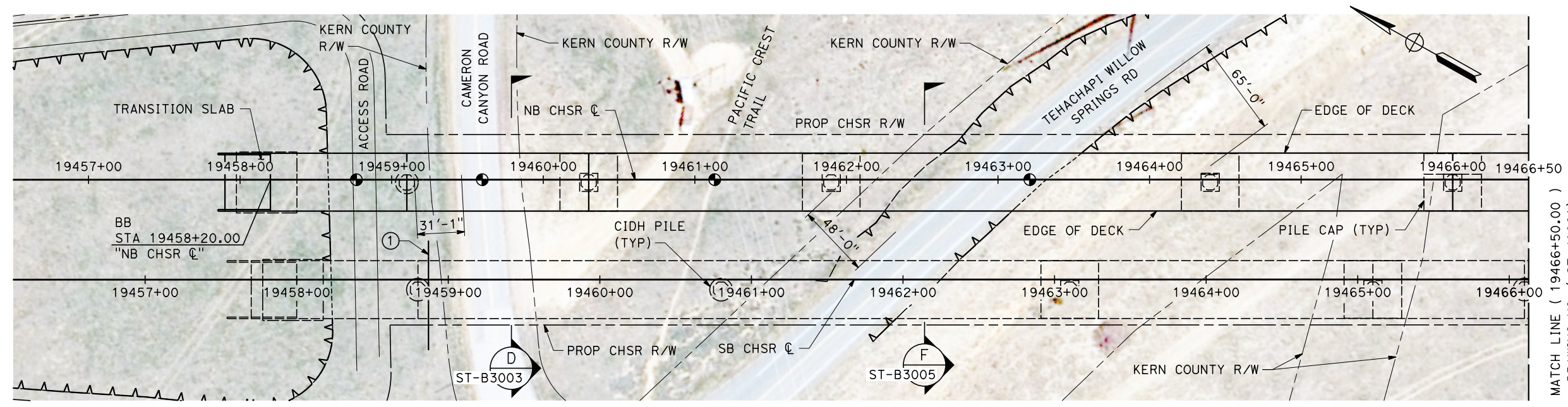
NO SCALE

TOTAL LENGTH = 1560'-0" (MEASURED ALONG "NB CHSR ☉")



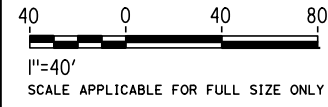
ELEVATION

SCALE 1" = 40'



PLAN

SCALE 1" = 40'



Projects\701206_00_CHSRBP\00_CADD\Sheet_Files\ST\BP-ST-J1060.dgn

10/30/2017 11:10:55 AM

TYLIN\YWang

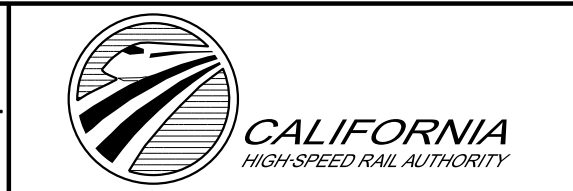
REV	DATE	BY	CHK	APP	DESCRIPTION

DESIGNED BY
ROBERT BARTON
DRAWN BY
YIHONG WANG
CHECKED BY
R. GOLCHOBIAN
IN CHARGE
STEVE SMITH
DATE
10/31/2017

**RECORD
PEPD
SUBMITTAL**

**NOT FOR
CONSTRUCTION**

TYLIN INTERNATIONAL



**CALIFORNIA HIGH-SPEED RAIL PROJECT
BAKERSFIELD TO PALMDALE**

ALTERNATIVES 1,2,5
TRACK STRUCTURES
NORTH VIADUCT STATION 19458+20 TO 19473+80
PLAN AND ELEVATION

CONTRACT NO.
HSR13-44
DRAWING NO.
ST-J1060
SCALE
AS SHOWN
SHEET NO.

MATCH LINE (19466+50.00)
DRAWING NO. (ST-J1061)

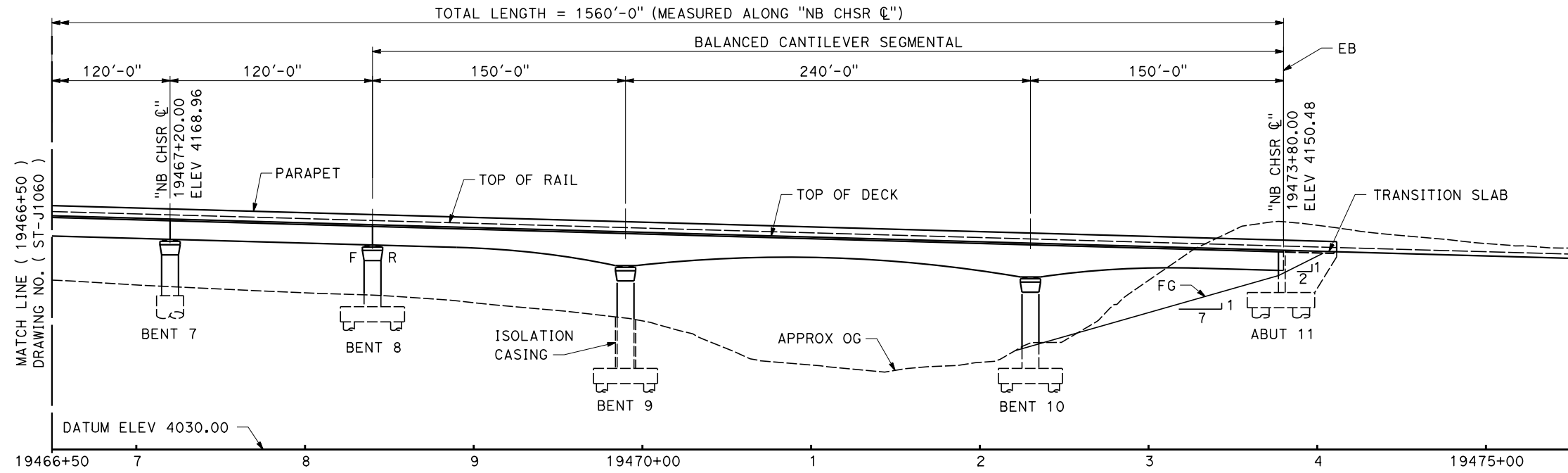
19437+86.06 EVC
ELEV 4251.10

-2.80%

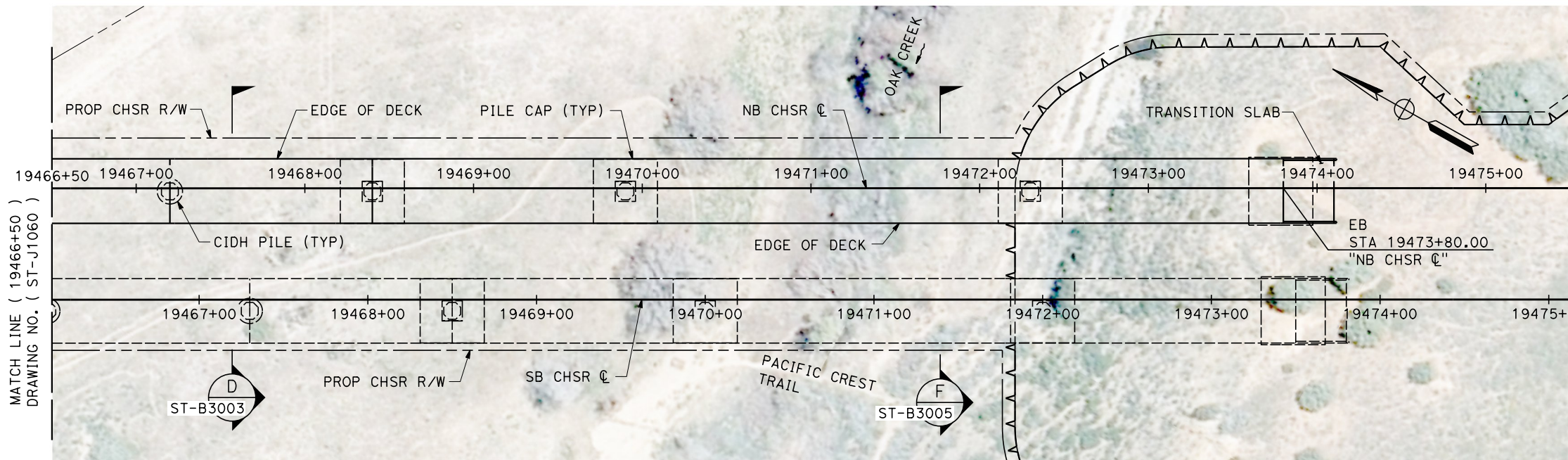
19884+91.15 BVC
ELEV 2999.54

TOP OF RAIL "NB CHSR ☉"

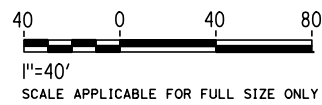
NO SCALE



ELEVATION
SCALE 1" = 40'



PLAN
SCALE 1" = 40'



Projects\701206_00_CHSRBP\00_CADD\Sheet Files\ST\BP-ST-J1061.dgn 10/30/2017 11:11:23 AM TYLIN\Wang

REV	DATE	BY	CHK	APP	DESCRIPTION

DESIGNED BY
ROBERT BARTON
DRAWN BY
YIHONG WANG
CHECKED BY
R. GOLCHOBIAN
IN CHARGE
STEVE SMITH
DATE
10/31/2017

**RECORD
PEPD
SUBMITTAL**

**NOT FOR
CONSTRUCTION**

TYLIN INTERNATIONAL



**CALIFORNIA HIGH-SPEED RAIL PROJECT
BAKERSFIELD TO PALMDALE**

ALTERNATIVES 1,2,5
TRACK STRUCTURES
NORTH VIADUCT STATION 19458+20 TO 19473+80
PLAN AND ELEVATION

CONTRACT NO.
HSR13-44
DRAWING NO.
ST-J1061
SCALE
AS SHOWN
SHEET NO.

19437+48.73 EVC
ELEV 4251.09

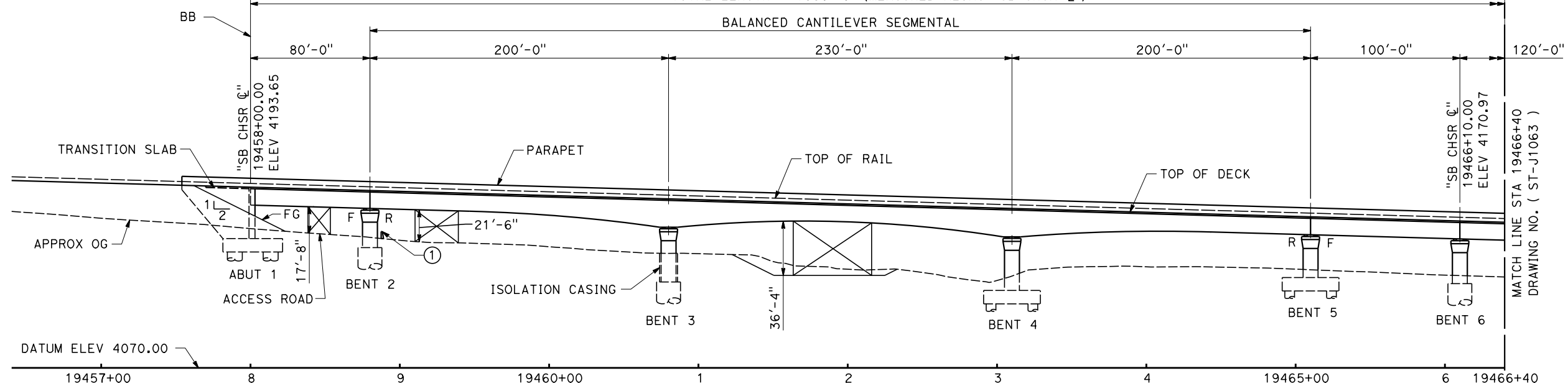
-2.80%

19884+46.94 BVC
ELEV 2999.54

TOP OF RAIL "SB CHSR ☉"

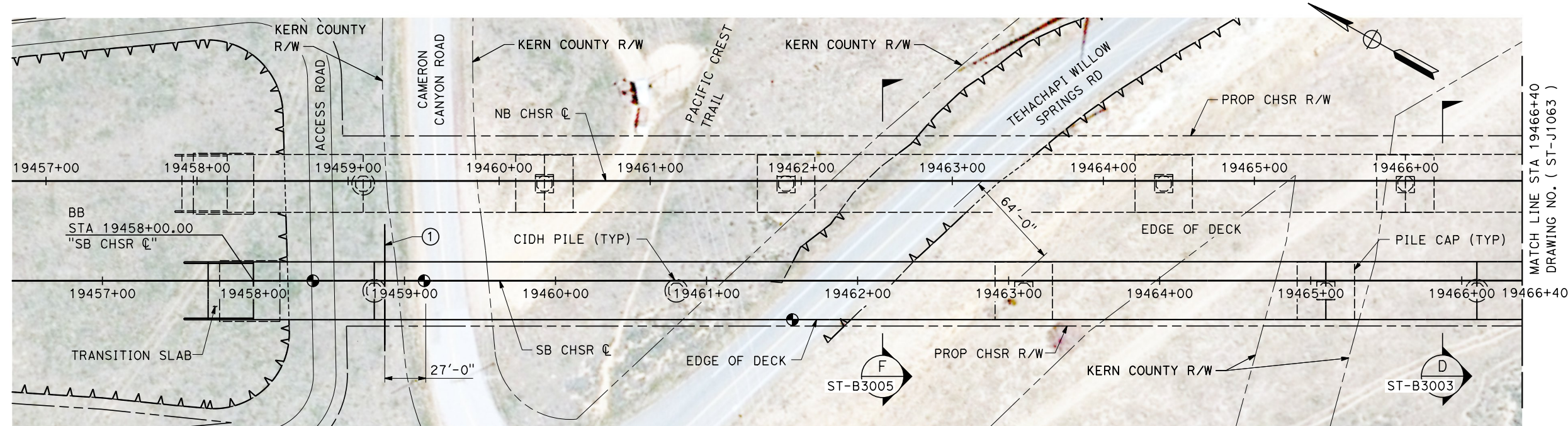
NO SCALE

TOTAL LENGTH = 1550'-0" (MEASURED ALONG "SB CHSR ☉")



ELEVATION

SCALE 1" = 40'



PLAN

SCALE 1" = 40'



1"=40'
SCALE APPLICABLE FOR FULL SIZE ONLY

Projects\701206_00_CHSRBP\00_CADD\Sheet_Files\ST\BP-ST-J1062.dgn

11:09:22 AM
10/30/2017

TYLIN\YWang

REV	DATE	BY	CHK	APP	DESCRIPTION

DESIGNED BY
ROBERT BARTON
DRAWN BY
YIHONG WANG
CHECKED BY
R. GOLCHOBIAN
IN CHARGE
STEVE SMITH
DATE
10/31/2017

**RECORD
PEPD
SUBMITTAL**

**NOT FOR
CONSTRUCTION**



**CALIFORNIA HIGH-SPEED RAIL PROJECT
BAKERSFIELD TO PALMDALE**

ALTERNATIVES 1,2,5
TRACK STRUCTURES
SOUTH VIADUCT STATION 19458+00 TO 19473+50
PLAN AND ELEVATION

CONTRACT NO.
HSR13-44
DRAWING NO.
ST-J1062
SCALE
AS SHOWN
SHEET NO.

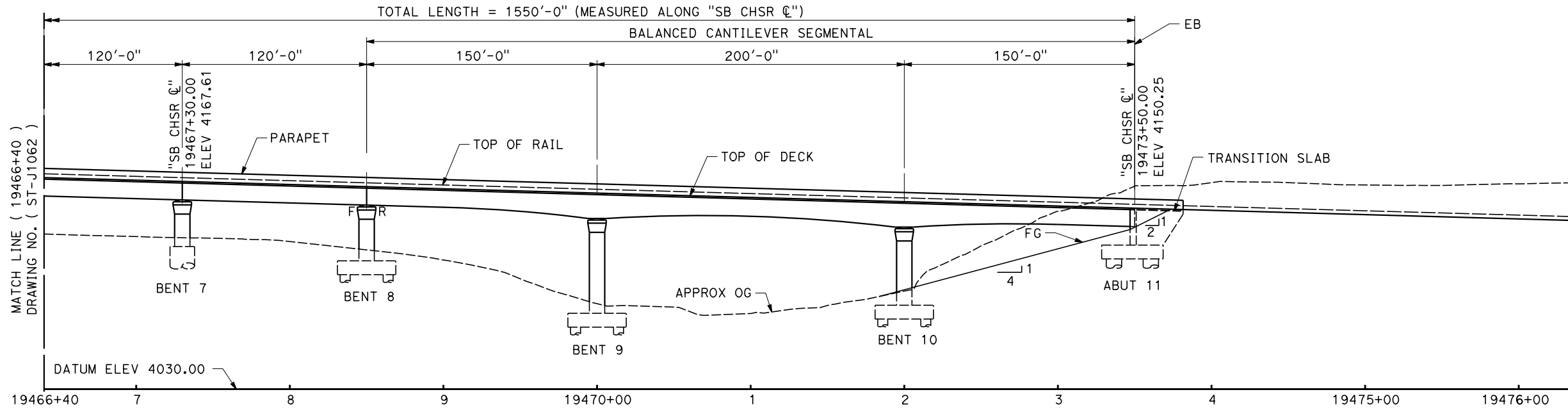
19437+48.73 EVC
ELEV 4251.09

-2.80%

19884+46.94 BVC
ELEV 2999.54

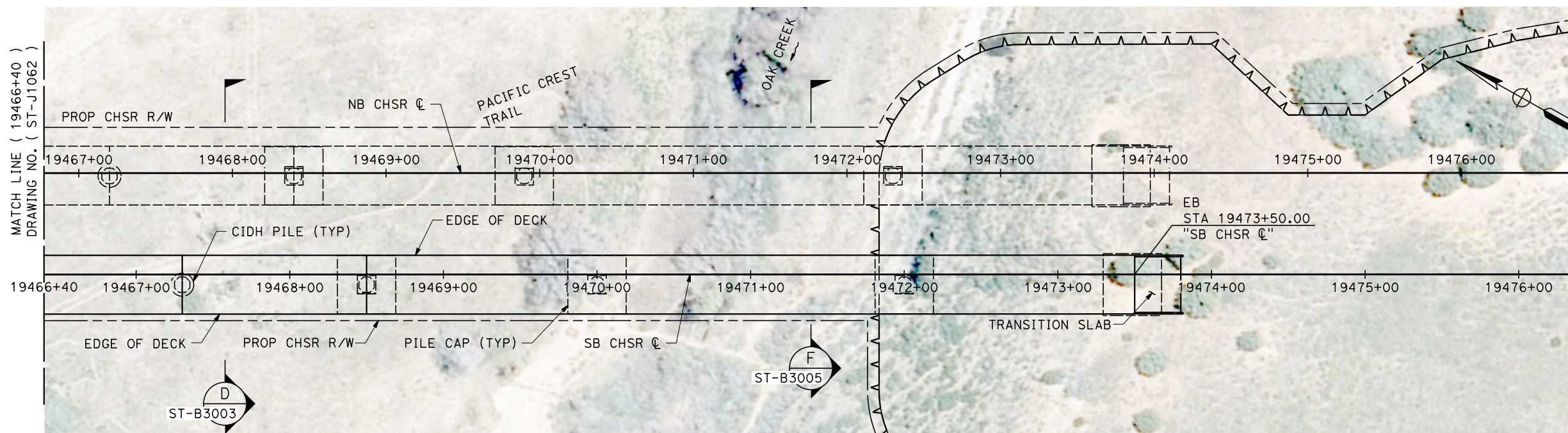
TOP OF RAIL "SB CHSR ☐"

NO SCALE



ELEVATION

SCALE 1" = 40'



PLAN

SCALE 1" = 40'



1"=40'
SCALE APPLICABLE FOR FULL SIZE ONLY

DESIGNED BY
ROBERT BARTON
DRAWN BY
YIHONG WANG
CHECKED BY
R. GOLCHOBIAN
IN CHARGE
STEVE SMITH
DATE
10/31/2017

**RECORD
PEPD
SUBMITTAL**

**NOT FOR
CONSTRUCTION**

TYLIN INTERNATIONAL



CALIFORNIA
HIGH-SPEED RAIL AUTHORITY

**CALIFORNIA HIGH-SPEED RAIL PROJECT
BAKERSFIELD TO PALMDALE**

ALTERNATIVES 1,2,5
TRACK STRUCTURES
SOUTH VIADUCT STATION 19458+00 TO 19473+50
PLAN AND ELEVATION

CONTRACT NO.
HSR13-44

DRAWING NO.
ST-J1063

SCALE
AS SHOWN

SHEET NO.

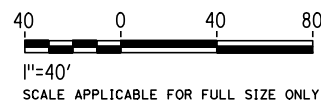
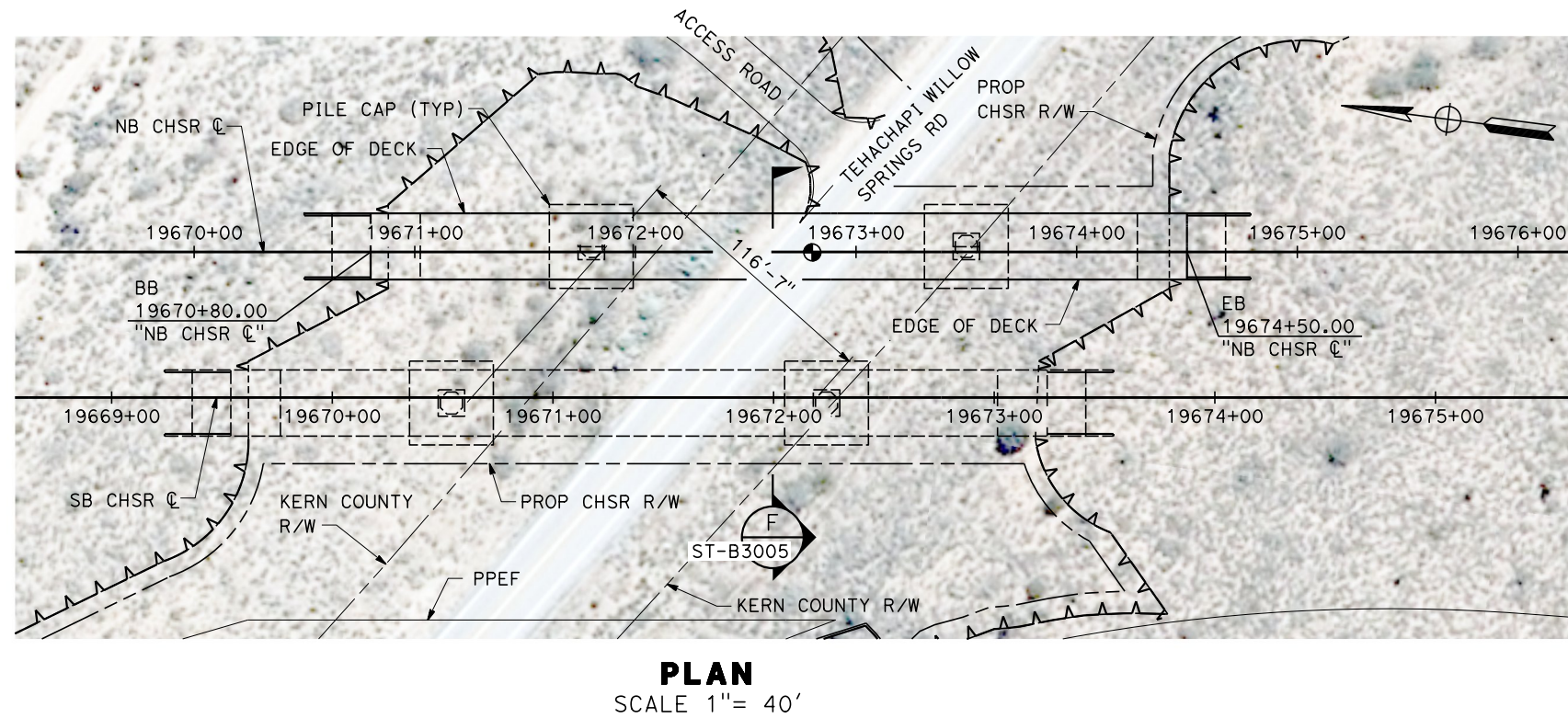
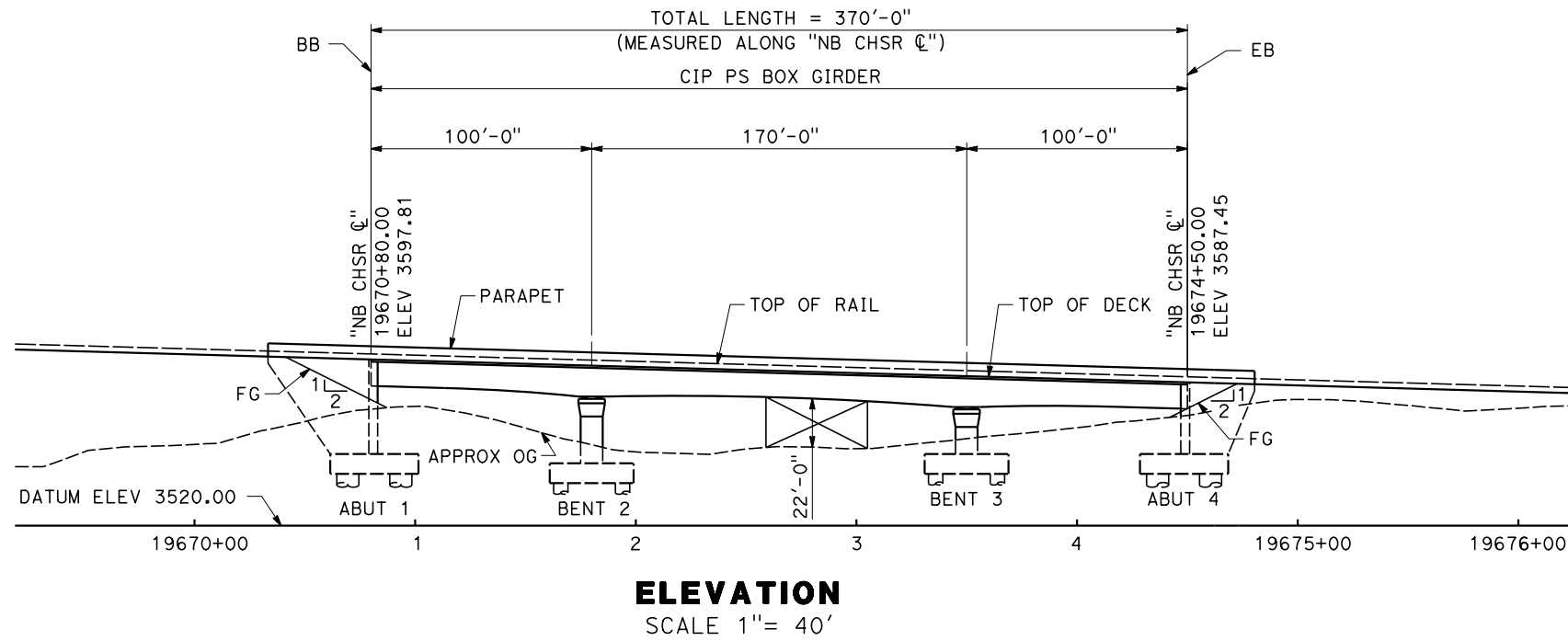
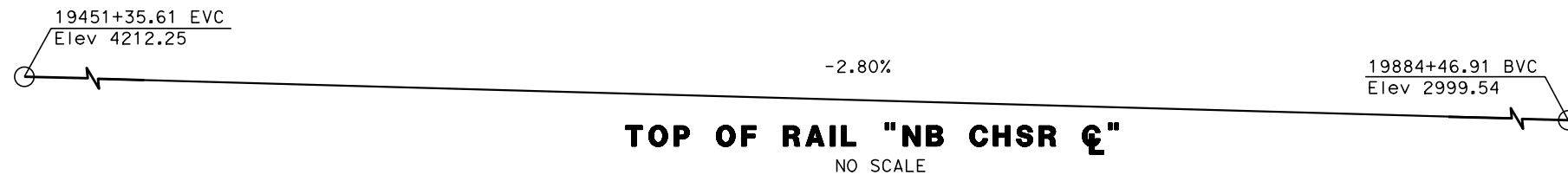
Projects\701206_00_CHSRBP\00_CADD\Sheet Files\ST\BP-ST-J1063.dgn

11:10:13 AM

10/30/2017

TYLIN\Wang

REV	DATE	BY	CHK	APP	DESCRIPTION



Projects\701206.00_CHSRBP\00_CADD\Sheet_Files\ST\BP-ST-J1064.dgn
10/30/2017 11:17:44 AM
TYLIN\Wang

REV	DATE	BY	CHK	APP	DESCRIPTION

DESIGNED BY
ROBERT BARTON
DRAWN BY
YIHONG WANG
CHECKED BY
R. GOLCHOBIAN
IN CHARGE
STEVE SMITH
DATE
10/31/2017

**RECORD
PEPD
SUBMITTAL**

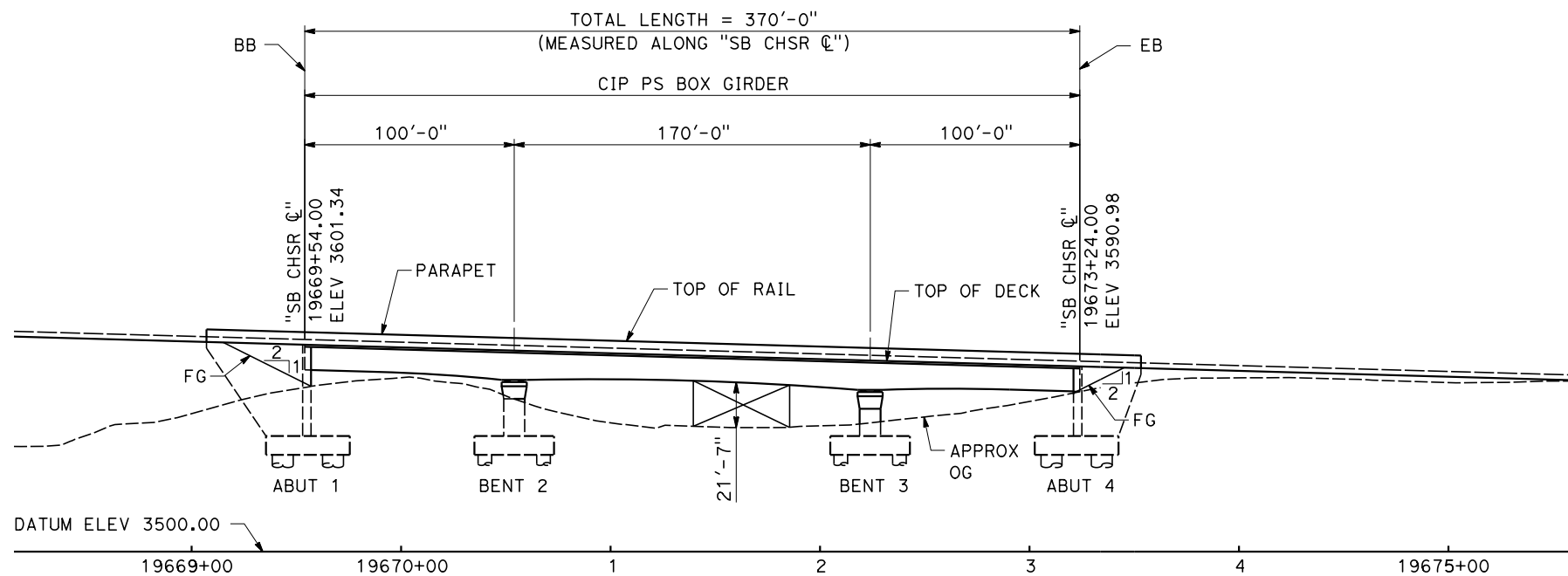
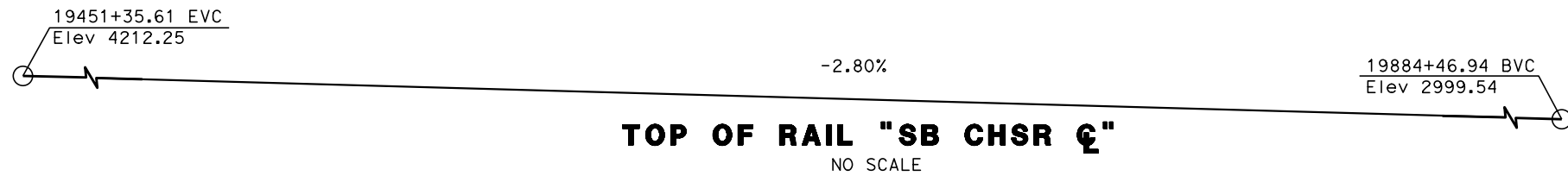
**NOT FOR
CONSTRUCTION**



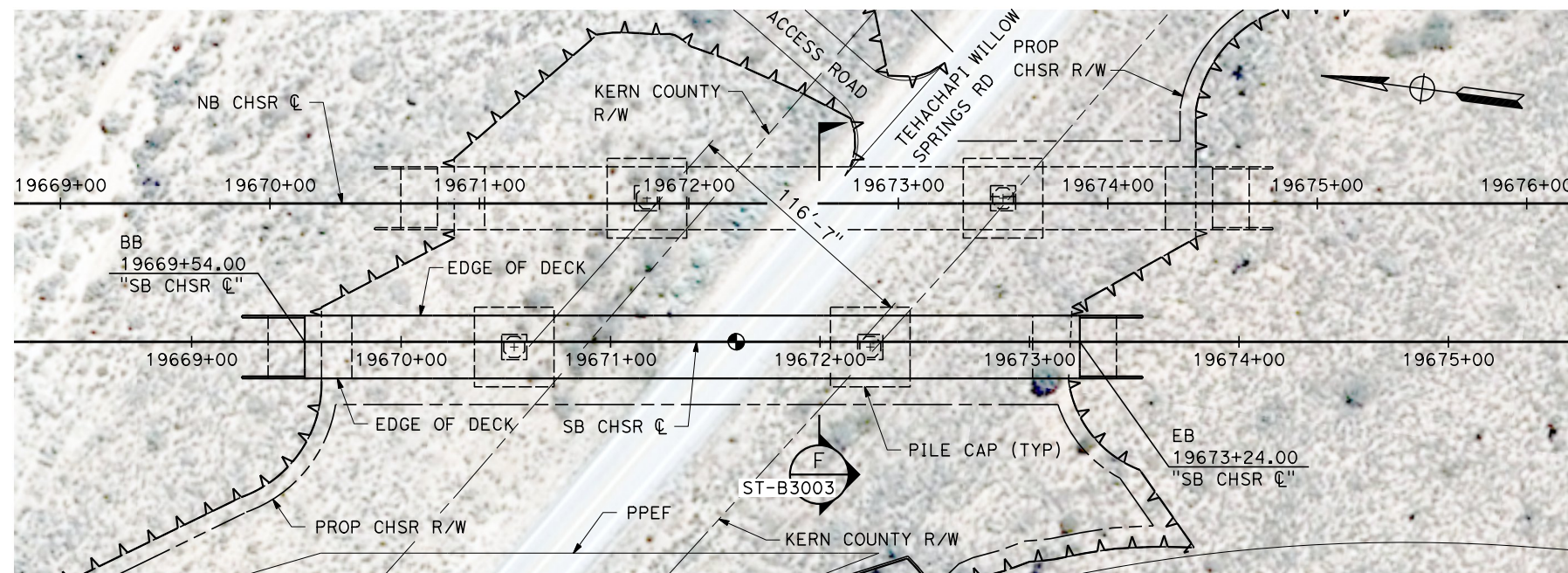
**CALIFORNIA HIGH-SPEED RAIL PROJECT
BAKERSFIELD TO PALMDALE**

ALTERNATIVES 1,2,5
TRACK STRUCTURES
TEHACHAPI WILLOW SPRINGS ROAD NORTH UNDERPASS - 2
PLAN AND ELEVATION

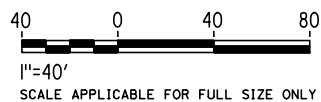
CONTRACT NO.
HSR13-44
DRAWING NO.
ST-J1064
SCALE
AS SHOWN
SHEET NO.



ELEVATION
SCALE 1" = 40'



PLAN
SCALE 1" = 40'



Projects\701206_00_CHSRBP\00_CADD\Sheet_Files\ST\BP-ST-J1065.dgn
11:09:34 AM
10/30/2017
TYLIN\Wang

REV	DATE	BY	CHK	APP	DESCRIPTION

DESIGNED BY
ROBERT BARTON

DRAWN BY
YIHONG WANG

CHECKED BY
R. GOLCHOBIAN

IN CHARGE
STEVE SMITH

DATE
10/31/2017

**RECORD
PEPD
SUBMITTAL**

**NOT FOR
CONSTRUCTION**



**CALIFORNIA HIGH-SPEED RAIL PROJECT
BAKERSFIELD TO PALMDALE**

ALTERNATIVES 1,2,5
TRACK STRUCTURES
TEHACHAPI WILLOW SPRINGS ROAD SOUTH UNDERPASS - 2
PLAN AND ELEVATION

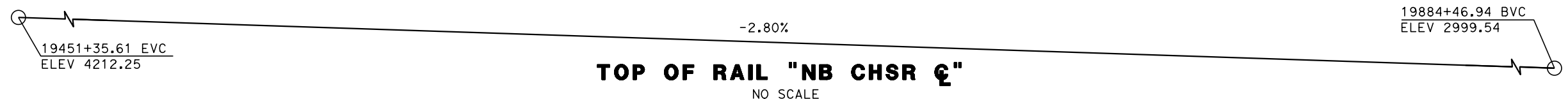
CONTRACT NO.
HSR13-44

DRAWING NO.
ST-J1065

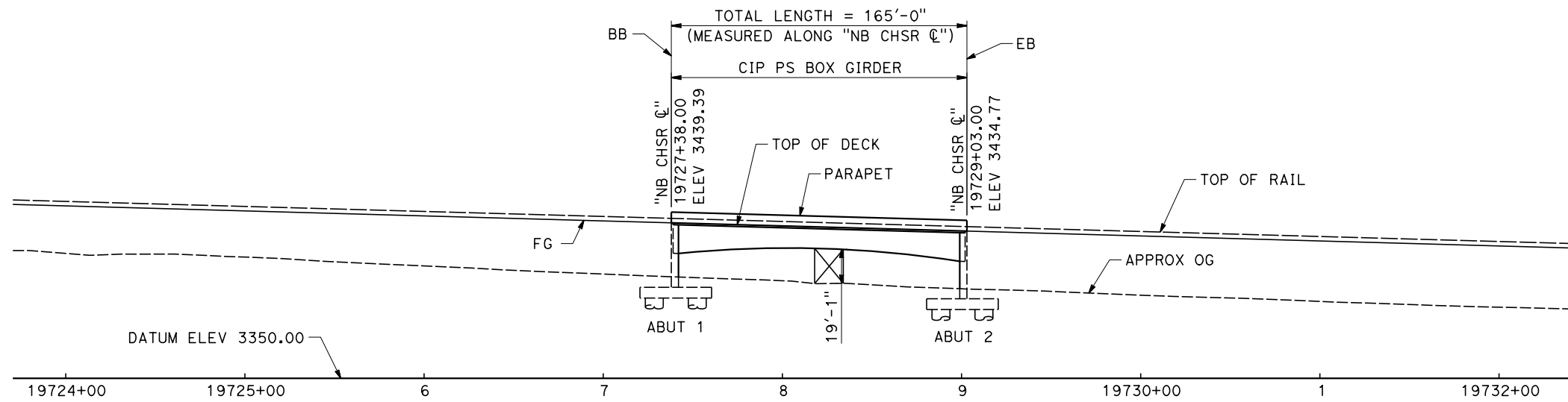
SCALE
AS SHOWN

SHEET NO.

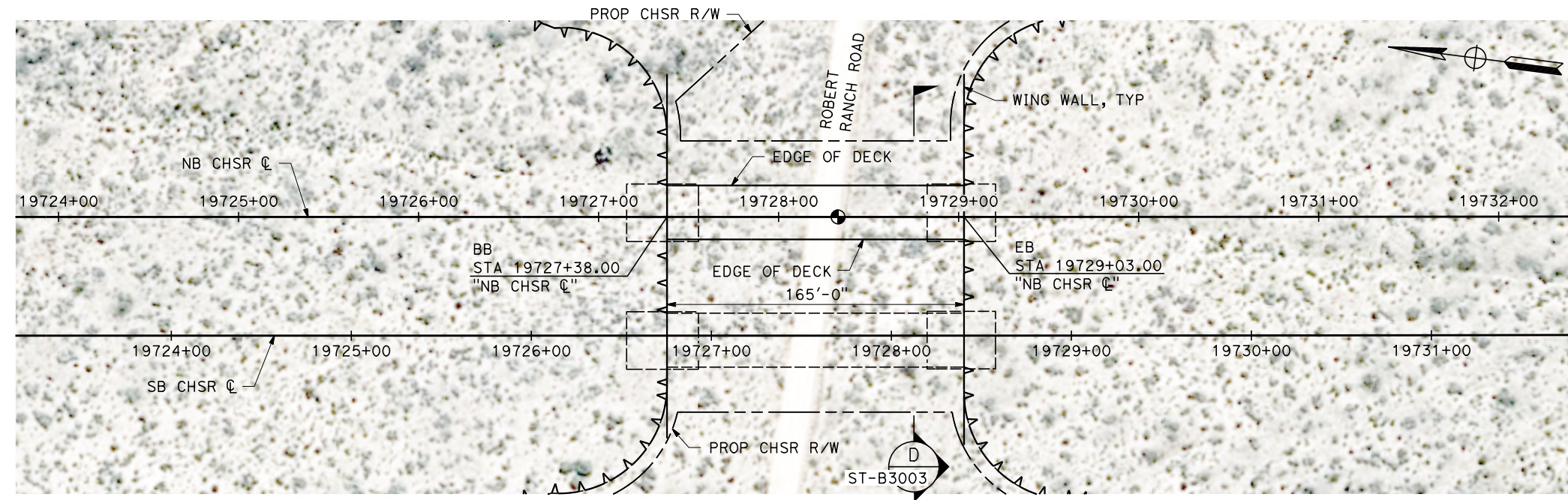
Projects\701206_00_CHSRBP\00_CADD\Sheet_Files\ST\BP-ST-J1066.dgn 10/30/2017 11:19:53 AM TYLIN\Wang



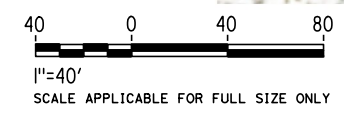
TOP OF RAIL "NB CHSR ☉"
NO SCALE



ELEVATION
SCALE 1" = 40'



PLAN
SCALE 1" = 40'



REV	DATE	BY	CHK	APP	DESCRIPTION

DESIGNED BY
ROBERT BARTON
DRAWN BY
IVAN MARTIN
CHECKED BY
R. GOLCHOBIAN
IN CHARGE
STEVE SMITH
DATE
10/31/2017

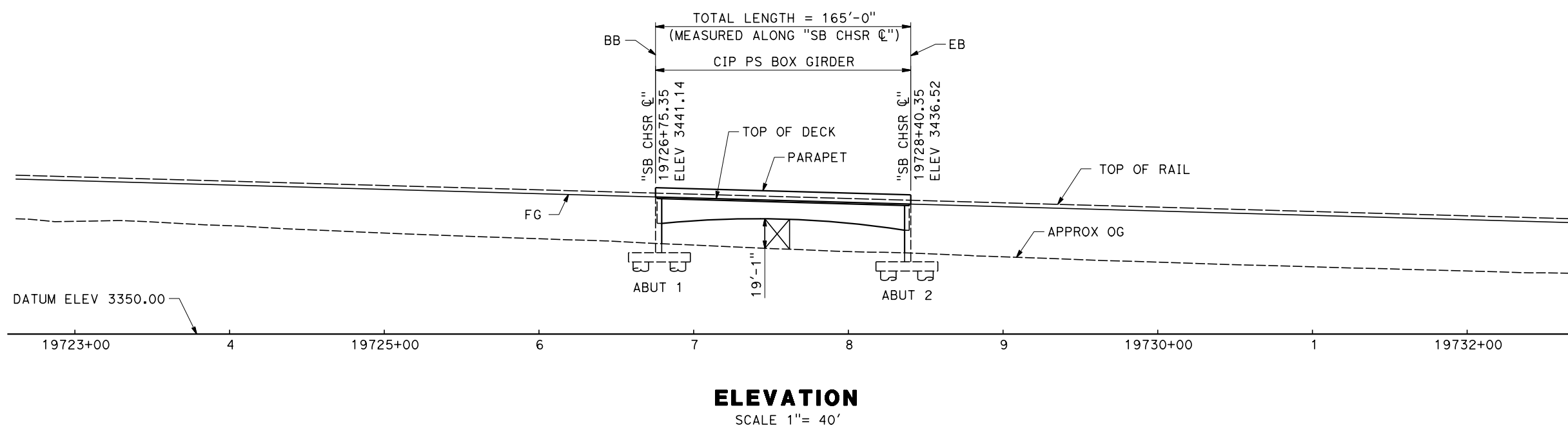
**RECORD
PEPD
SUBMITTAL**

**NOT FOR
CONSTRUCTION**

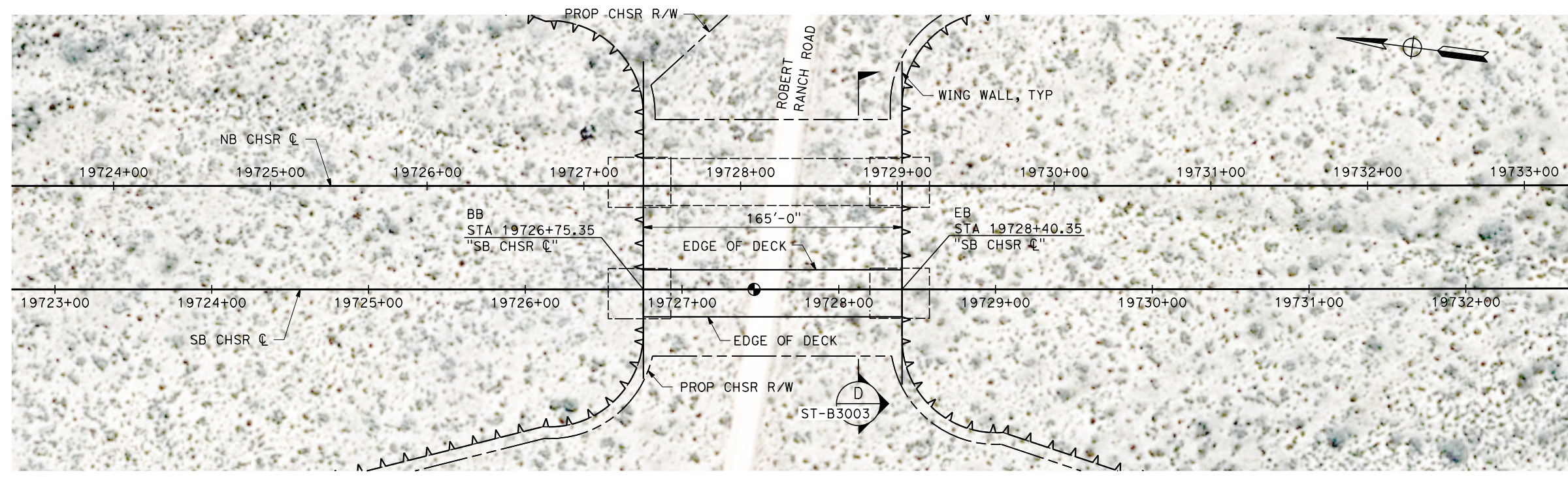


CALIFORNIA HIGH-SPEED RAIL PROJECT
BAKERSFIELD TO PALMDALE
ALTERNATIVES 1,2,5
TRACK STRUCTURES
ROBERT RANCH RD NORTH UNDERPASS
PLAN AND ELEVATION

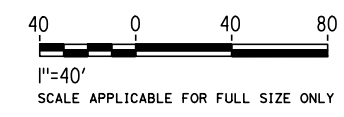
CONTRACT NO.
HSR13-44
DRAWING NO.
ST-J1066
SCALE
AS SHOWN
SHEET NO.



ELEVATION
SCALE 1" = 40'



PLAN
SCALE 1" = 40'



Projects\701206_00_CHSRBP\00_CADD\Sheet_Files\ST\BP-ST-J1067.dgn
10/30/2017 11:13:08 AM
TYLIN\Wang

REV	DATE	BY	CHK	APP	DESCRIPTION

DESIGNED BY
ROBERT BARTON
DRAWN BY
IVAN MARTIN
CHECKED BY
R. GOLCHOBIAN
IN CHARGE
STEVE SMITH
DATE
10/31/2017

**RECORD
PEPD
SUBMITTAL**

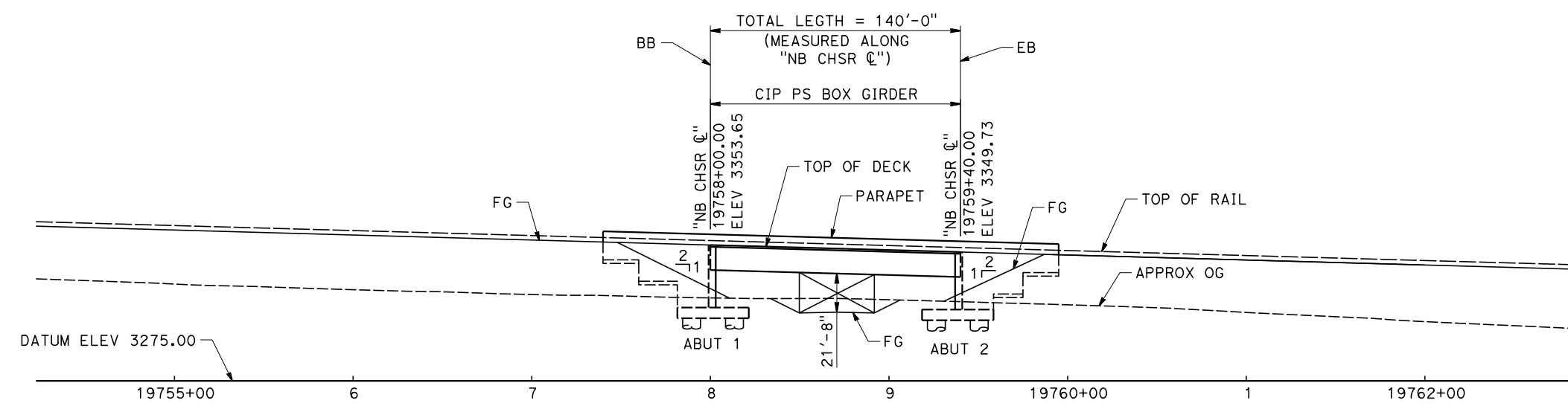
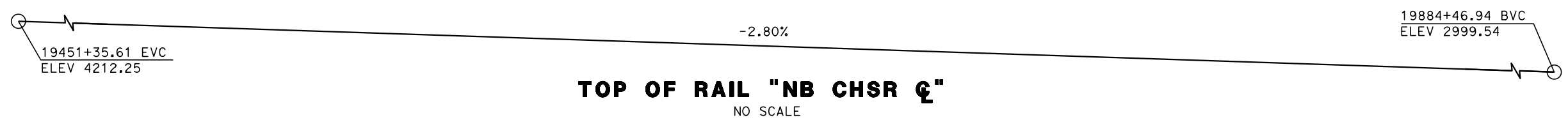
**NOT FOR
CONSTRUCTION**



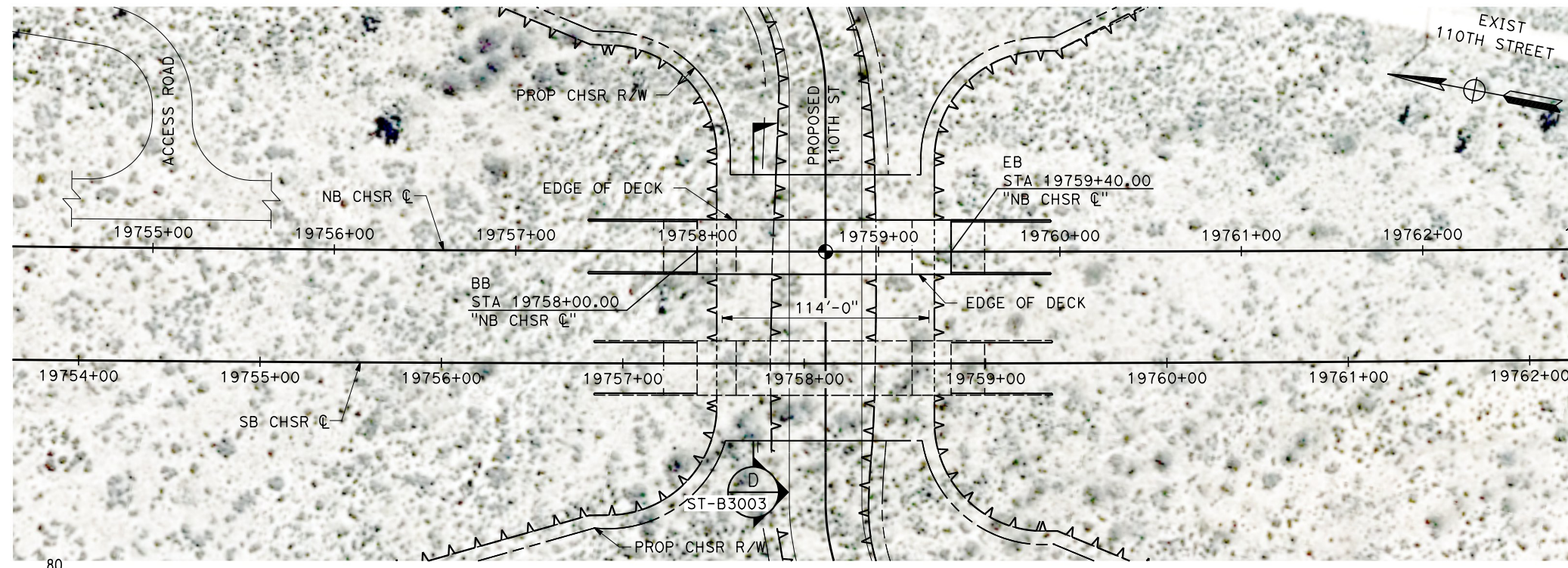
CALIFORNIA HIGH-SPEED RAIL PROJECT
BAKERSFIELD TO PALMDALE
ALTERNATIVES 1,2,5
TRACK STRUCTURES
ROBERT RANCH RD SOUTH UNDERPASS
PLAN AND ELEVATION

CONTRACT NO.
HSR13-44
DRAWING NO.
ST-J1067
SCALE
AS SHOWN
SHEET NO.

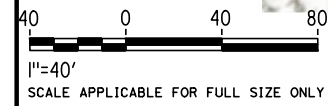
Projects\701206.00_CHSRBP\00_CADD\Sheet_Files\ST\BP-ST-J1068.dgn
10/30/2017 11:13:31 AM
TYLIN\Wang



ELEVATION
SCALE 1" = 40'



PLAN
SCALE 1" = 40'



REV	DATE	BY	CHK	APP	DESCRIPTION

DESIGNED BY
ROBERT BARTON

DRAWN BY
IVAN MARTIN

CHECKED BY
R. GOLCHOBIAN

IN CHARGE
STEVE SMITH

DATE
10/31/2017

**RECORD
PEPD
SUBMITTAL**

**NOT FOR
CONSTRUCTION**



CALIFORNIA HIGH-SPEED RAIL PROJECT
BAKERSFIELD TO PALMDALE
ALTERNATIVES 1,2,5
TRACK STRUCTURES
110TH STREET NORTH UNDERPASS
PLAN AND ELEVATION

CONTRACT NO.
HSR13-44

DRAWING NO.
ST-J1068

SCALE
AS SHOWN

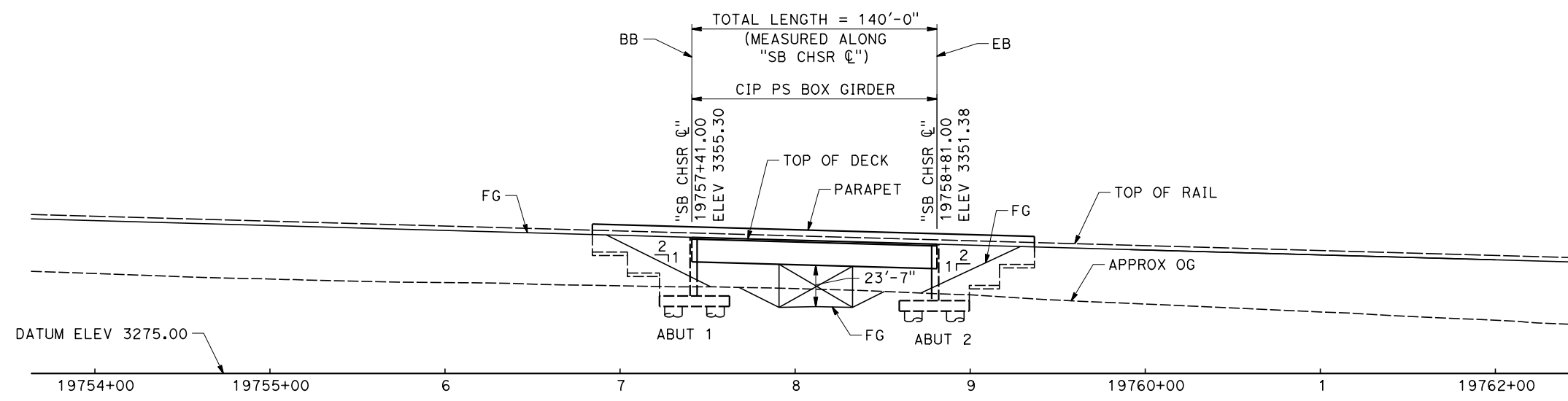
SHEET NO.

Projects\701206_00_CHSRBP\00_CADD\Sheet Files\ST\BP-ST-J1069.dgn
10/30/2017 11:24:27 AM
TYLIN\Wang



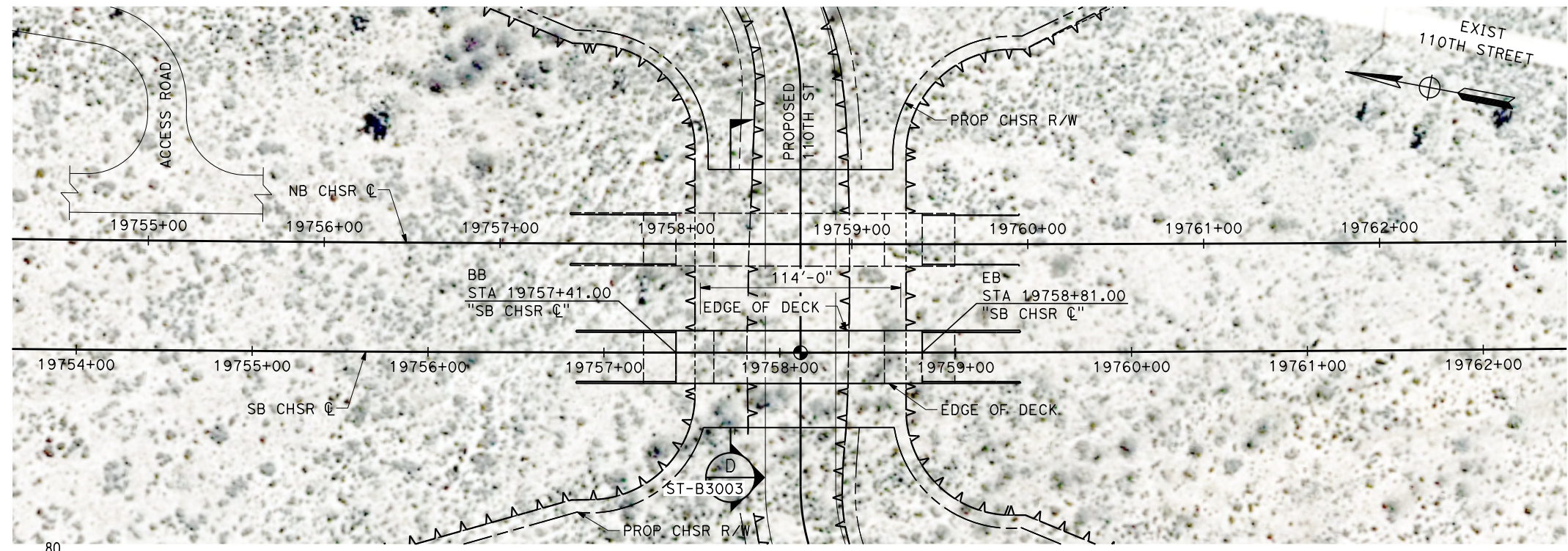
TOP OF RAIL "SB CHSR ☉"

NO SCALE



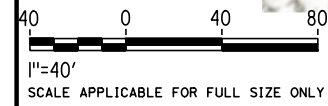
ELEVATION

SCALE 1" = 40'



PLAN

SCALE 1" = 40'



REV	DATE	BY	CHK	APP	DESCRIPTION

DESIGNED BY
ROBERT BARTON
DRAWN BY
IVAN MARTIN
CHECKED BY
R. GOLCHOBIAN
IN CHARGE
STEVE SMITH
DATE
10/31/2017

**RECORD
PEPD
SUBMITTAL**

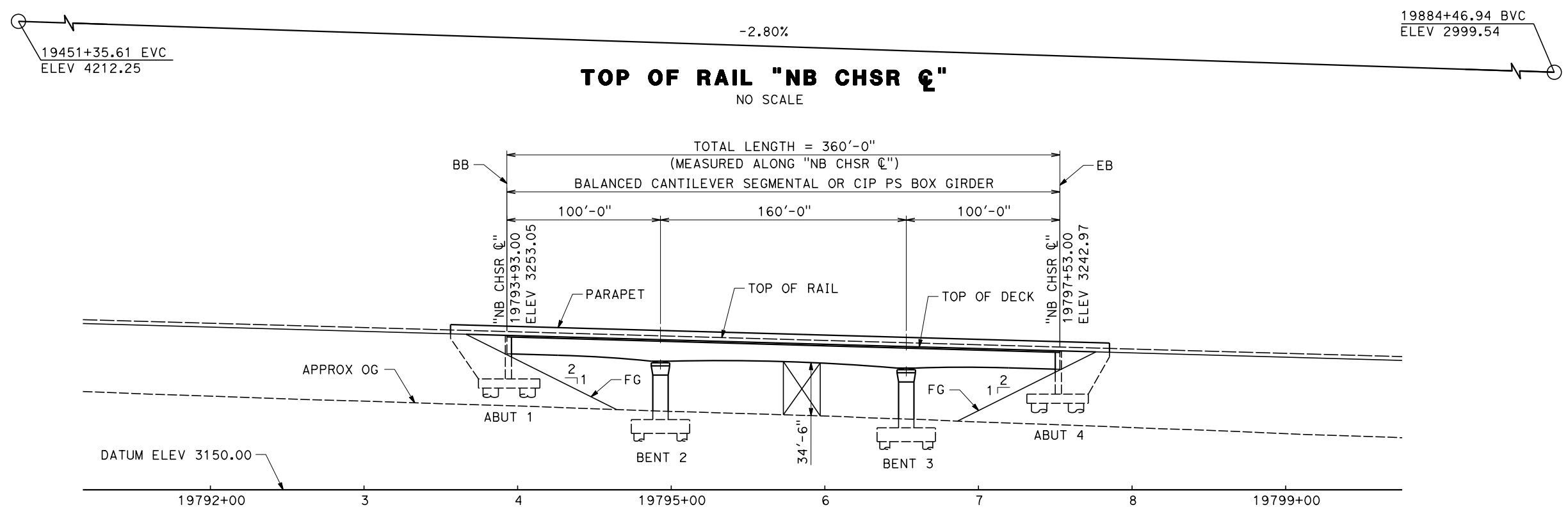
**NOT FOR
CONSTRUCTION**



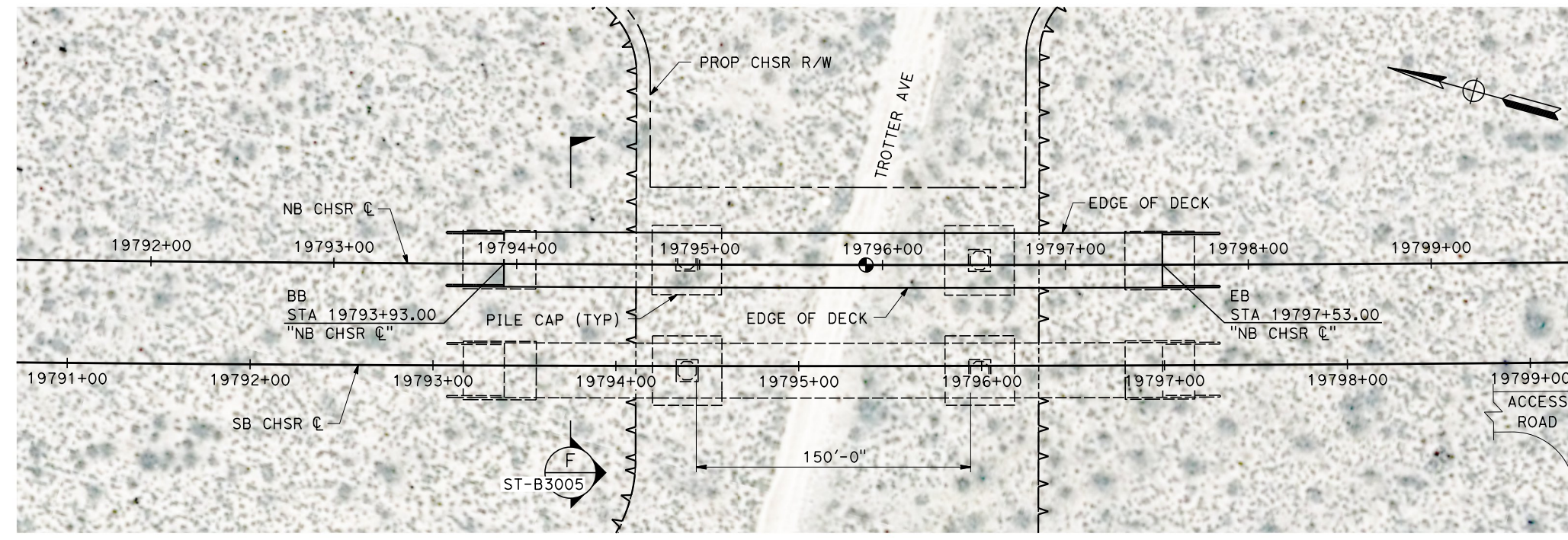
CALIFORNIA HIGH-SPEED RAIL PROJECT
BAKERSFIELD TO PALMDALE
ALTERNATIVES 1,2,5
TRACK STRUCTURES
110TH STREET SOUTH UNDERPASS
PLAN AND ELEVATION

CONTRACT NO.
HSR13-44
DRAWING NO.
ST-J1069
SCALE
AS SHOWN
SHEET NO.

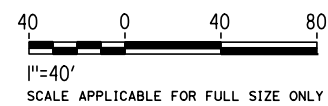
Projects\701206_00_CHSRBP\00_CADD\Sheet Files\ST\BP-ST-J1070.dgn
10/30/2017 11:13:37 AM
TYLIN\Wang



ELEVATION
SCALE 1"= 40'



PLAN
SCALE 1"= 40'



REV	DATE	BY	CHK	APP	DESCRIPTION

DESIGNED BY
ROBERT BARTON
DRAWN BY
IVAN MARTIN
CHECKED BY
R. GOLCHOBIAN
IN CHARGE
STEVE SMITH
DATE
10/31/2017

**RECORD
PEPD
SUBMITTAL**

**NOT FOR
CONSTRUCTION**

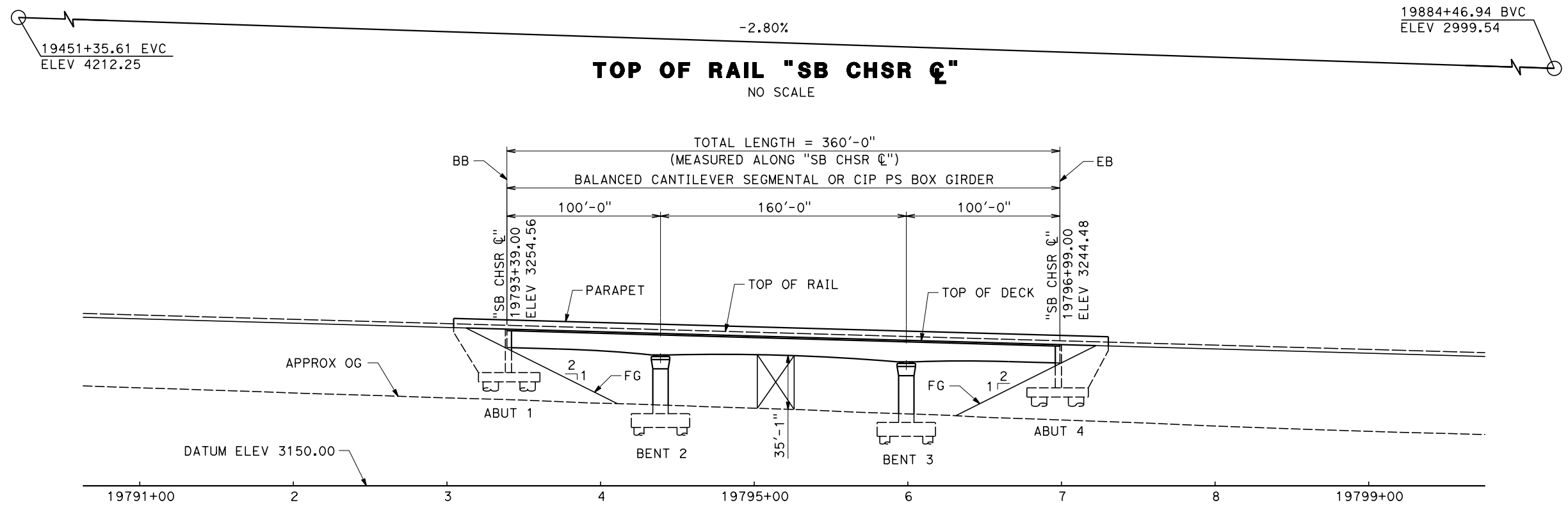
TYLIN INTERNATIONAL



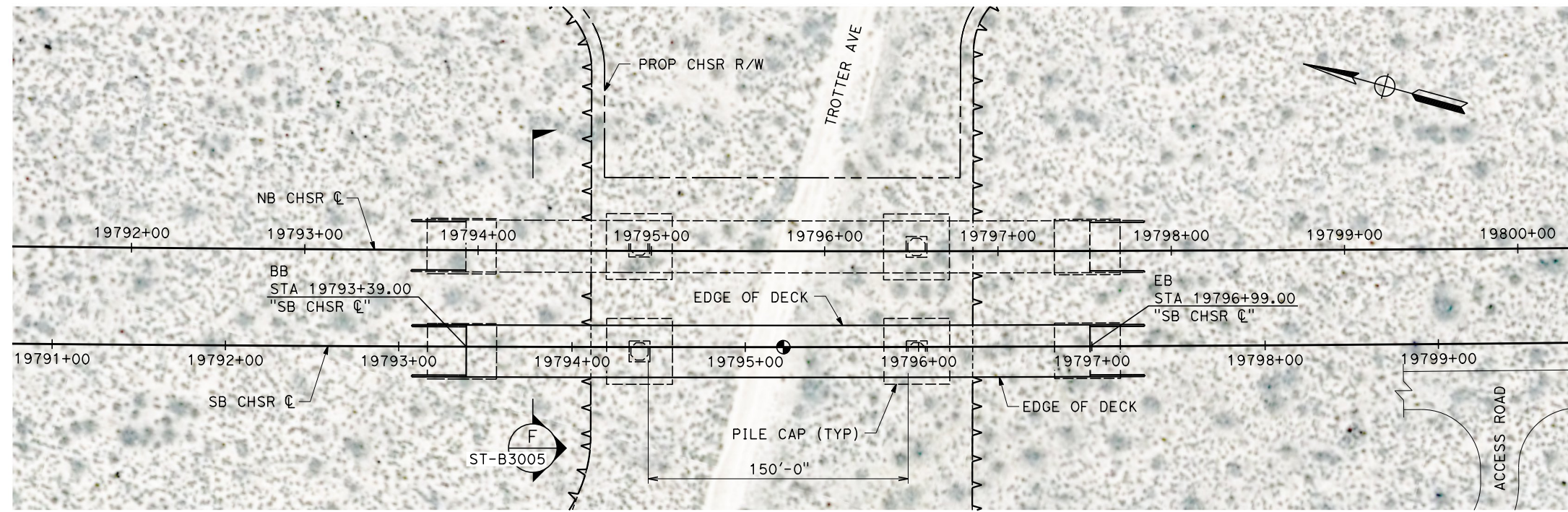
CALIFORNIA HIGH-SPEED RAIL PROJECT
BAKERSFIELD TO PALMDALE
ALTERNATIVES 1,2,5
TRACK STRUCTURES
TROTTER AVENUE NORTH UNDERPASS
PLAN AND ELEVATION

CONTRACT NO.
HSR13-44
DRAWING NO.
ST-J1070
SCALE
AS SHOWN
SHEET NO.

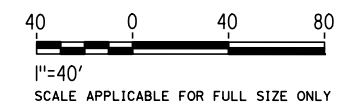
Projects\701206_00_CHSRBP\00_CADD\Sheet Files\ST\BP-ST-J1071.dgn
10/30/2017 11:13:54 AM TYLIN\Wang



ELEVATION
SCALE 1"= 40'



PLAN
SCALE 1"= 40'



REV	DATE	BY	CHK	APP	DESCRIPTION

DESIGNED BY
ROBERT BARTON
DRAWN BY
IVAN MARTIN
CHECKED BY
R. GOLCHOBIAN
IN CHARGE
STEVE SMITH
DATE
10/31/2017

**RECORD
PEPD
SUBMITTAL**

**NOT FOR
CONSTRUCTION**



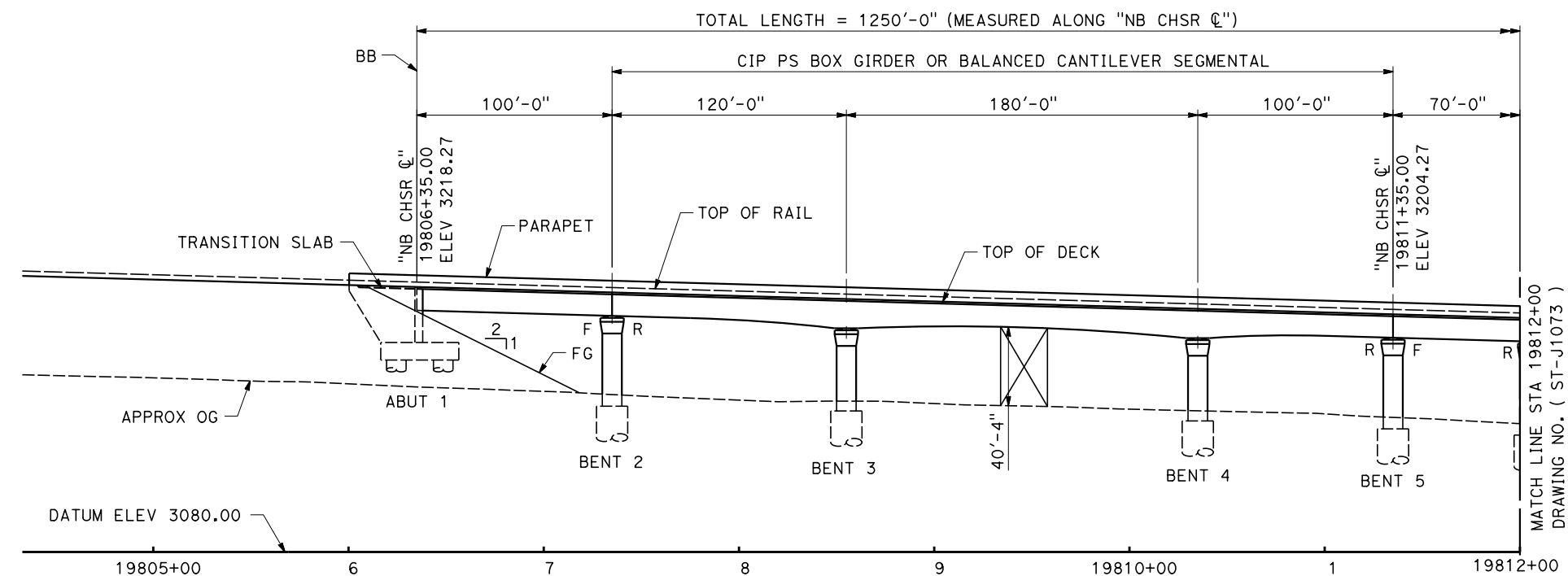
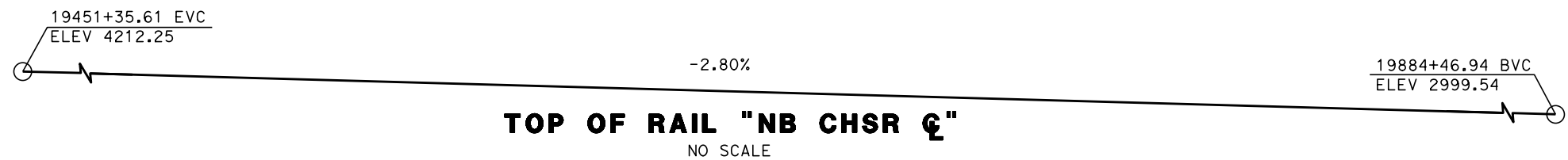
CALIFORNIA HIGH-SPEED RAIL PROJECT
BAKERSFIELD TO PALMDALE
ALTERNATIVES 1,2,5
TRACK STRUCTURES
TROTTER AVENUE SOUTH UNDERPASS
PLAN AND ELEVATION

CONTRACT NO.
HSR13-44
DRAWING NO.
ST-J1071
SCALE
AS SHOWN
SHEET NO.

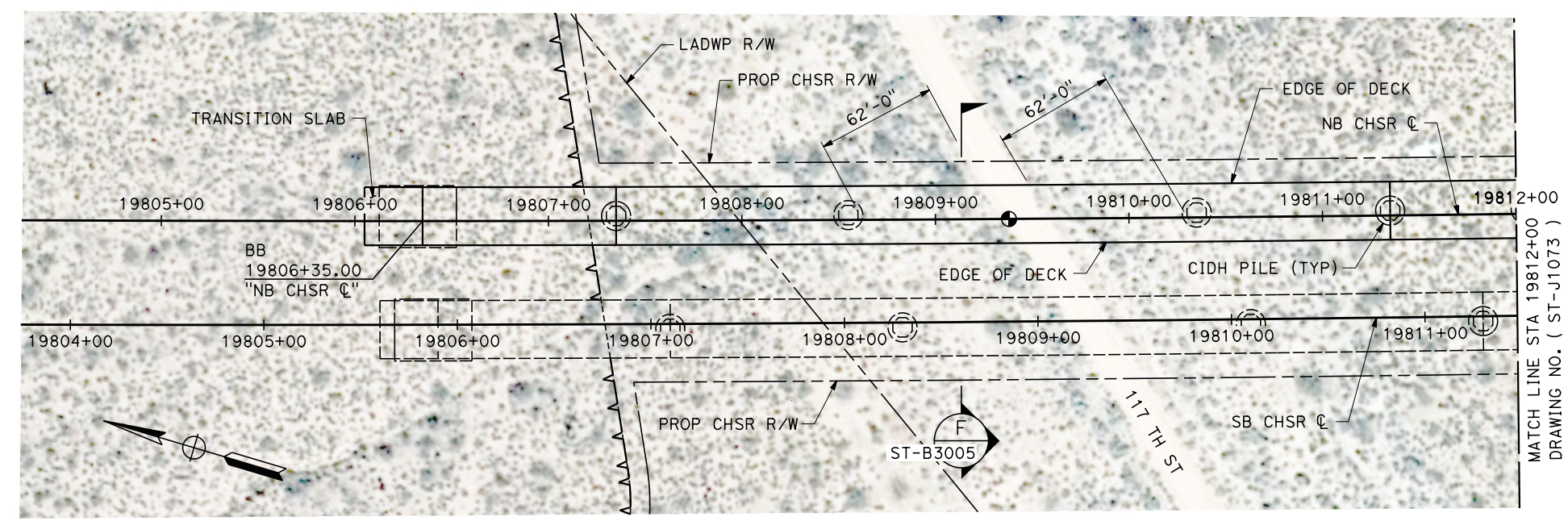
Projects\701206_00_CHSRBP\00_CADD\Sheet Files\ST\BP-ST-J1072.dgn

10/30/2017 11:12:38 AM

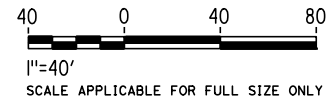
TYL\YWang



ELEVATION
SCALE 1" = 40'



PLAN
SCALE 1" = 40'



REV	DATE	BY	CHK	APP	DESCRIPTION

DESIGNED BY
ROBERT BARTON
DRAWN BY
YIHONG WANG
CHECKED BY
R. GOLCHOBIAN
IN CHARGE
STEVE SMITH
DATE
10/31/2017

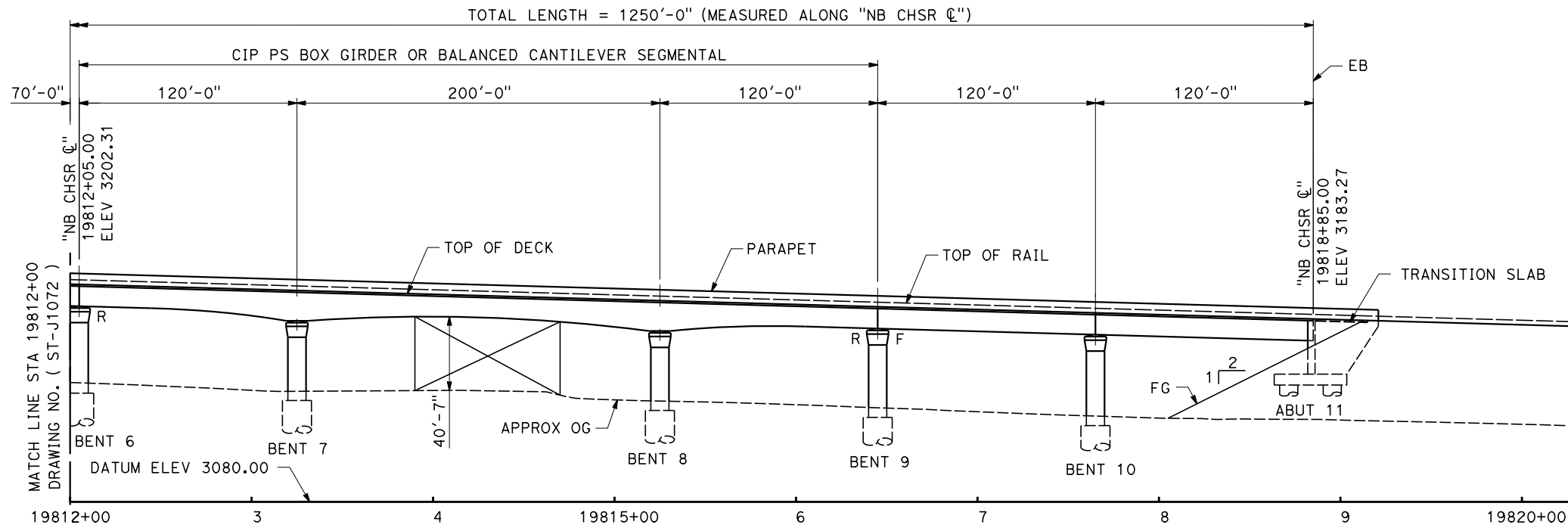
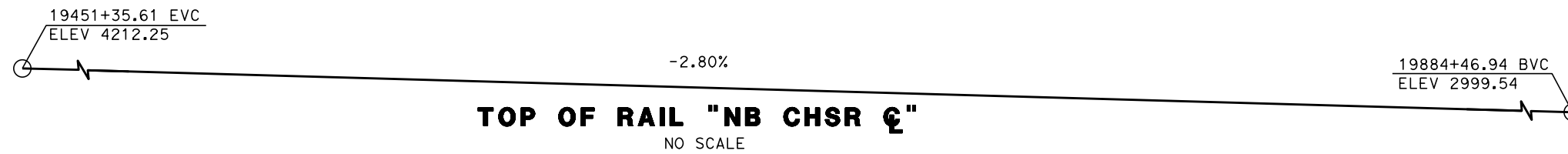
**RECORD
PEPD
SUBMITTAL**

**NOT FOR
CONSTRUCTION**

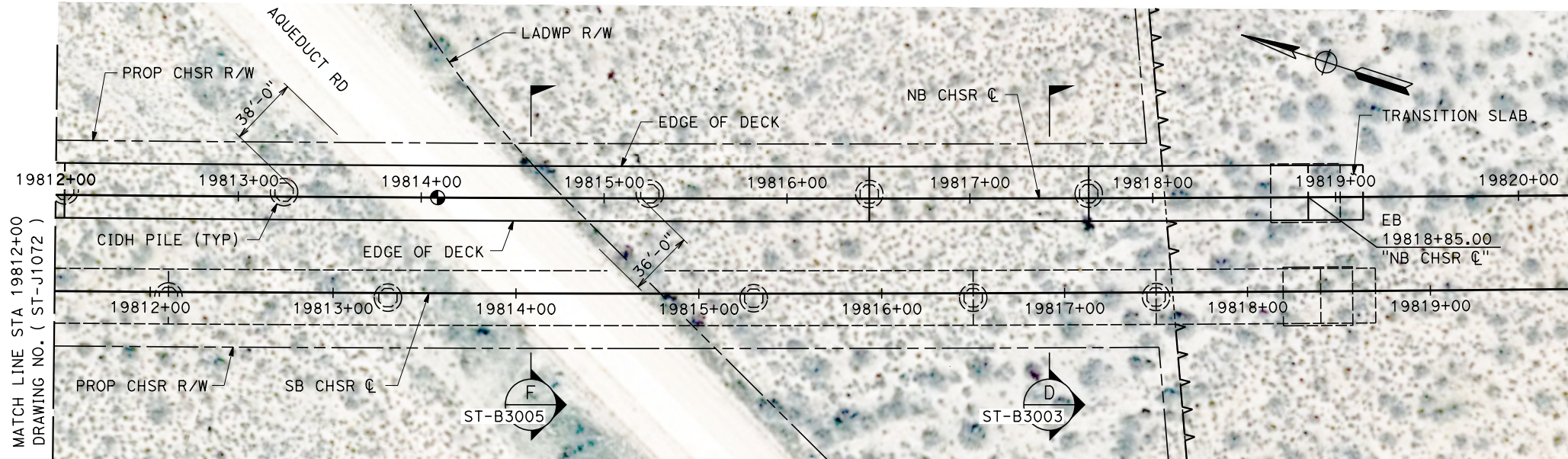


CALIFORNIA HIGH-SPEED RAIL PROJECT
BAKERSFIELD TO PALMDALE
ALTERNATIVES 1,2,5
TRACK STRUCTURES
AQUEDUCT ROAD NORTH VIADUCT
PLAN AND ELEVATION

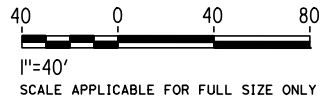
CONTRACT NO.
HSR13-44
DRAWING NO.
ST-J1072
SCALE
AS SHOWN
SHEET NO.



ELEVATION
SCALE 1" = 40'



PLAN
SCALE 1" = 40'



Projects\701206.00_CHSRBP\00_CADD\Sheet_Files\ST\BP-ST-J1073.dgn

11:19:05 AM
10/30/2017

TYLIN\Wang

REV	DATE	BY	CHK	APP	DESCRIPTION

DESIGNED BY
ROBERT BARTON
DRAWN BY
YIHONG WANG
CHECKED BY
R. GOLCHOOBIAN
IN CHARGE
STEVE SMITH
DATE
10/31/2017

**RECORD
PEPD
SUBMITTAL**

**NOT FOR
CONSTRUCTION**

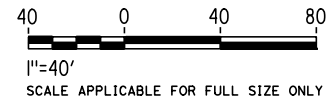
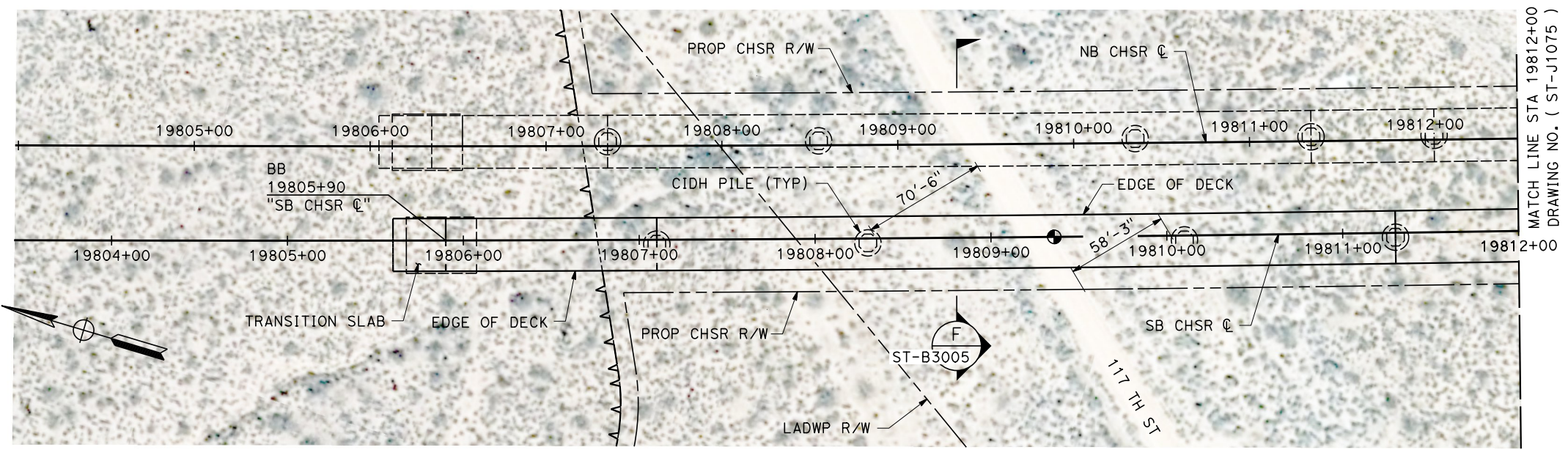
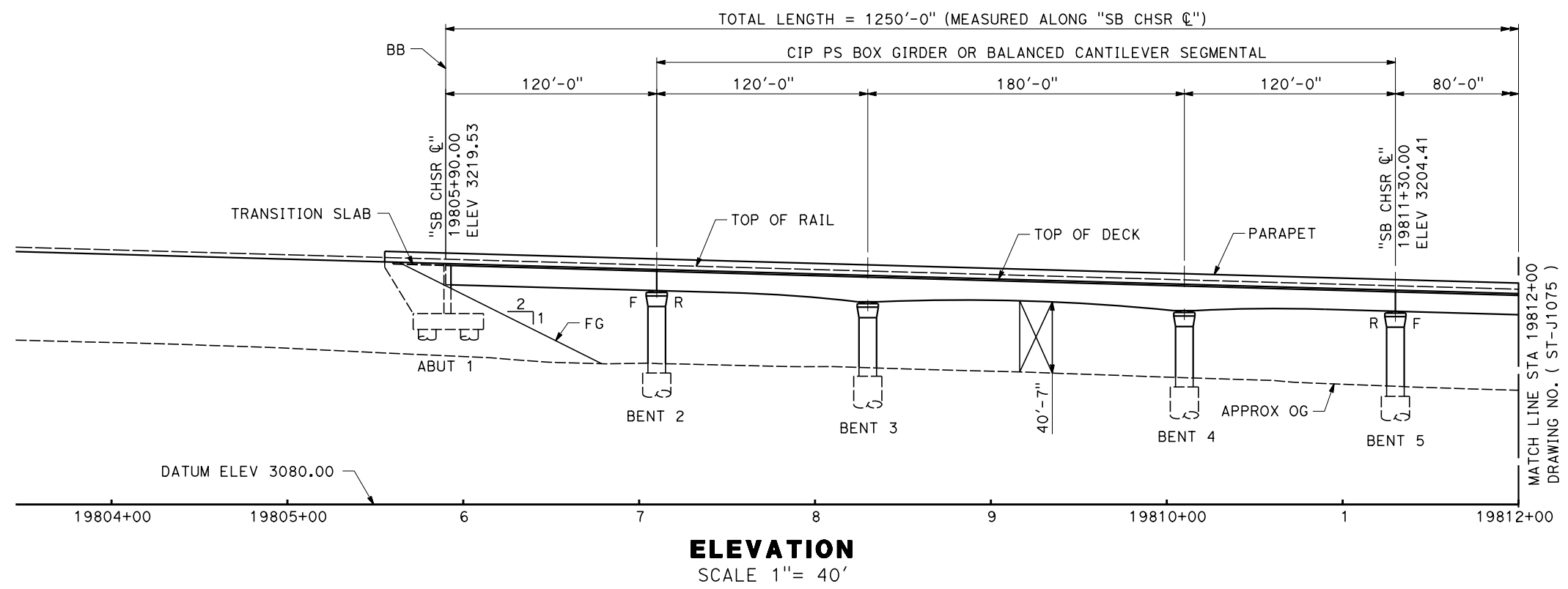
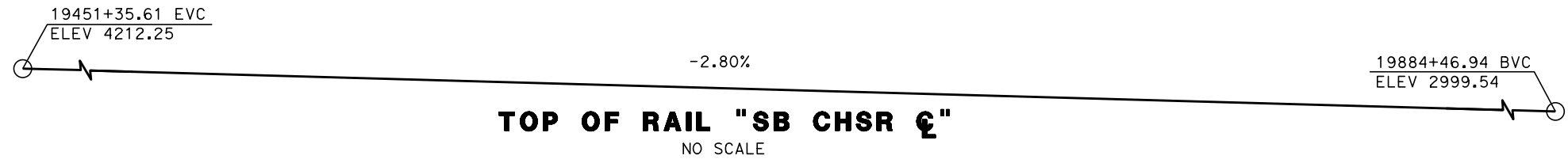
TYLIN INTERNATIONAL



CALIFORNIA HIGH-SPEED RAIL PROJECT
BAKERSFIELD TO PALMDALE
ALTERNATIVES 1,2,5
TRACK STRUCTURES
AQUEDUCT ROAD NORTH VIADUCT
PLAN AND ELEVATION

CONTRACT NO.
HSR13-44
DRAWING NO.
ST-J1073
SCALE
AS SHOWN
SHEET NO.

Projects\701206_00_CHSRBP\00_CADD\Sheet_Files\ST\BP-ST-J1074.dgn
10/30/2017 11:09:30 AM
TYLIN\Wang



PLAN
SCALE 1" = 40'

REV	DATE	BY	CHK	APP	DESCRIPTION

DESIGNED BY
ROBERT BARTON
DRAWN BY
YIHONG WANG
CHECKED BY
R. GOLCHOBIAN
IN CHARGE
STEVE SMITH
DATE
10/31/2017

**RECORD
PEPD
SUBMITTAL**

**NOT FOR
CONSTRUCTION**



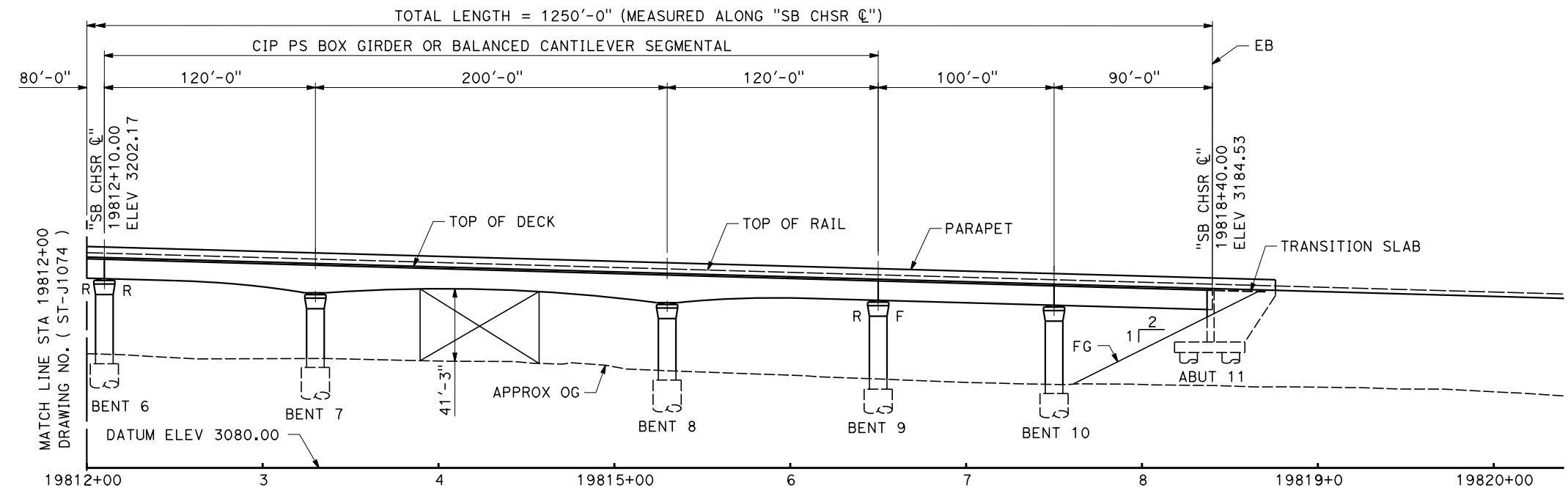
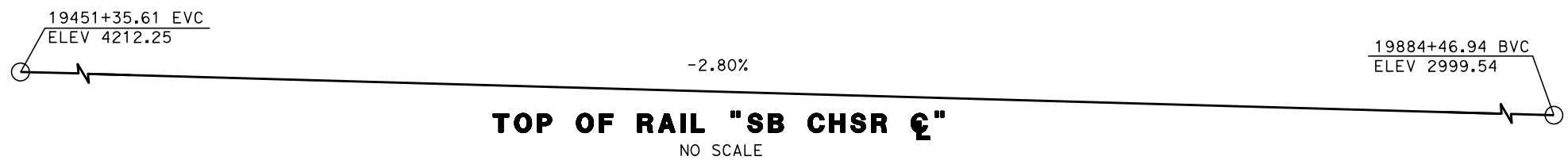
CALIFORNIA HIGH-SPEED RAIL PROJECT
BAKERSFIELD TO PALMDALE
ALTERNATIVES 1,2,5
TRACK STRUCTURES
AQUEDUCT ROAD SOUTH VIADUCT
PLAN AND ELEVATION

CONTRACT NO.
HSR13-44
DRAWING NO.
ST-J1074
SCALE
AS SHOWN
SHEET NO.

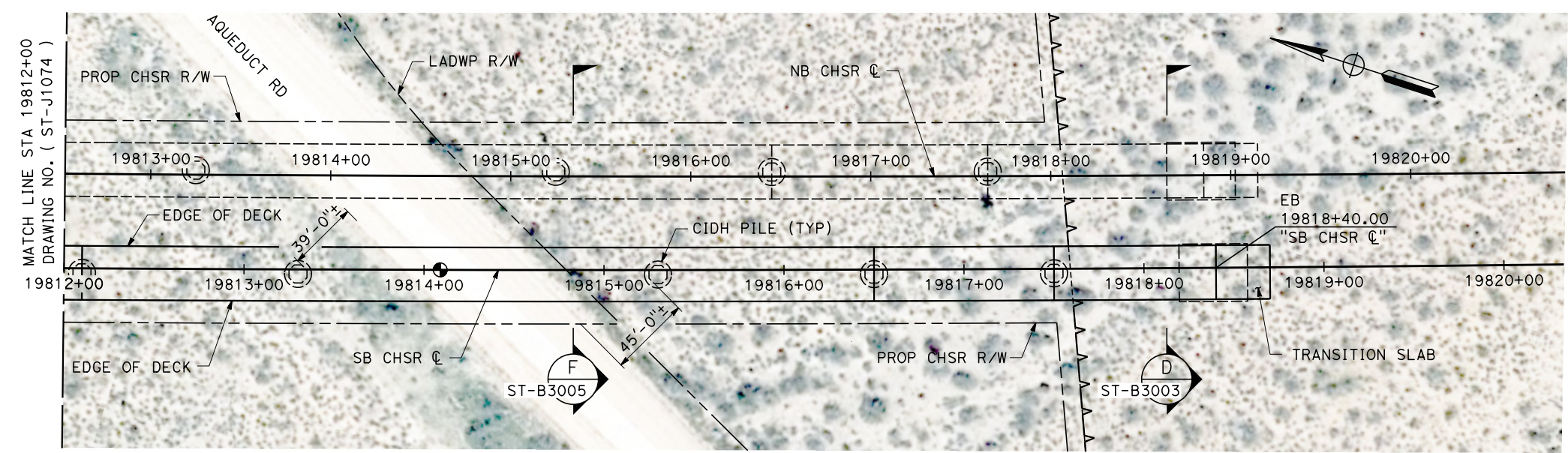
Projects\701206_00_CHSRBP\00_CADD\Sheet_Files\ST\BP-ST-J1075.dgn

11:09:57 AM
10/30/2017

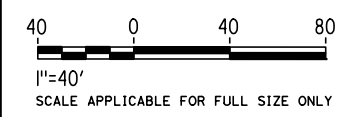
TYLIN\Wang



ELEVATION
SCALE 1" = 40'



PLAN
SCALE 1" = 40'



REV	DATE	BY	CHK	APP	DESCRIPTION

DESIGNED BY
ROBERT BARTON
DRAWN BY
YIHONG WANG
CHECKED BY
R. GOLCHOOBIAN
IN CHARGE
STEVE SMITH
DATE
10/31/2017

**RECORD
PEPD
SUBMITTAL**

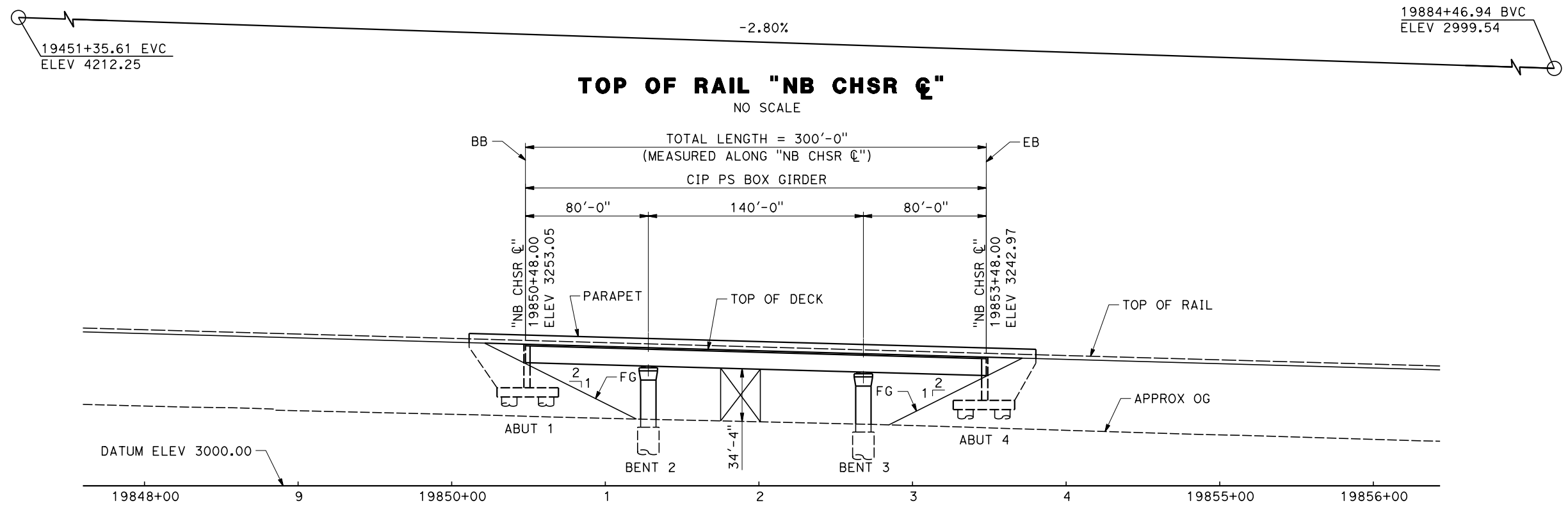
**NOT FOR
CONSTRUCTION**



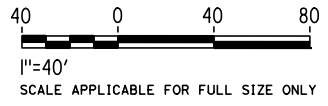
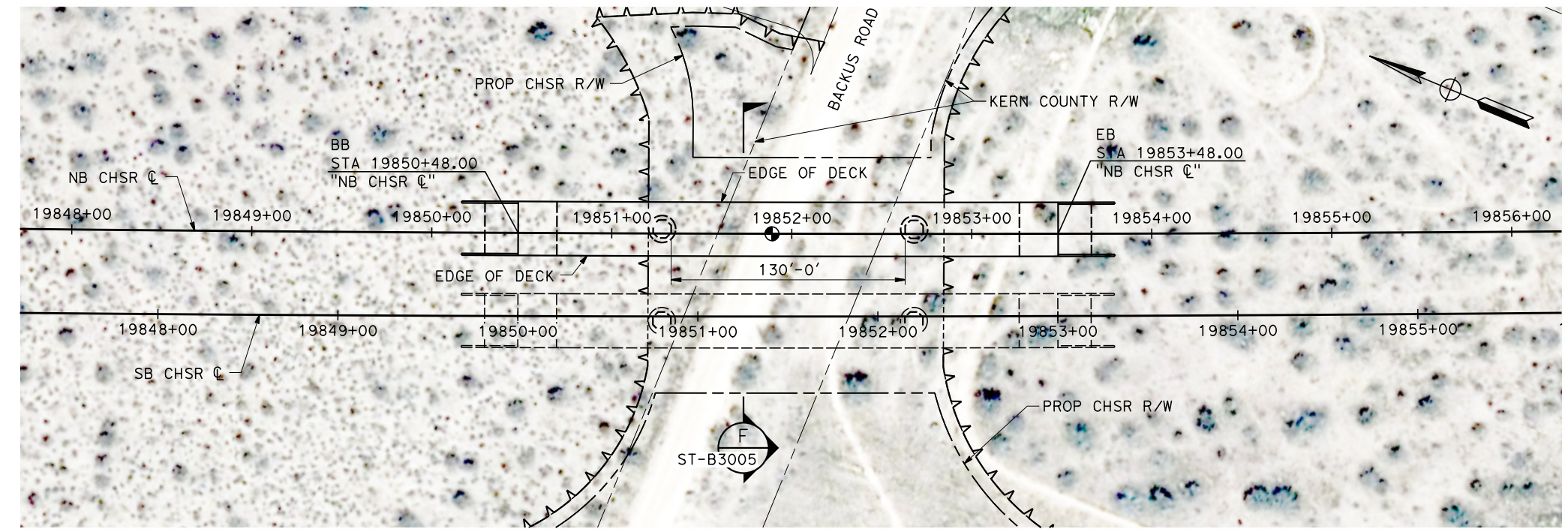
CALIFORNIA HIGH-SPEED RAIL PROJECT
BAKERSFIELD TO PALMDALE
ALTERNATIVES 1,2,5
TRACK STRUCTURES
AQUEDUCT ROAD SOUTH VIADUCT
PLAN AND ELEVATION

CONTRACT NO.
HSR13-44
DRAWING NO.
ST-J1075
SCALE
AS SHOWN
SHEET NO.

Projects\701206_00_CHSRBP\00_CADD\Sheet_Files\ST\BP-ST-J1076.dgn
10/30/2017 11:22:59 AM
TYLIN\Wang



ELEVATION
SCALE 1"= 40'



PLAN
SCALE 1"= 40'

REV	DATE	BY	CHK	APP	DESCRIPTION

DESIGNED BY
ROBERT BARTON

DRAWN BY
IVAN MARTIN

CHECKED BY
R. GOLCHOBIAN

IN CHARGE
STEVE SMITH

DATE
10/31/2017

**RECORD
PEPD
SUBMITTAL**

**NOT FOR
CONSTRUCTION**



CALIFORNIA HIGH-SPEED RAIL PROJECT
BAKERSFIELD TO PALMDALE
ALTERNATIVES 1,2,5
TRACK STRUCTURES
BACKUS ROAD NORTH UNDERPASS
PLAN AND ELEVATION

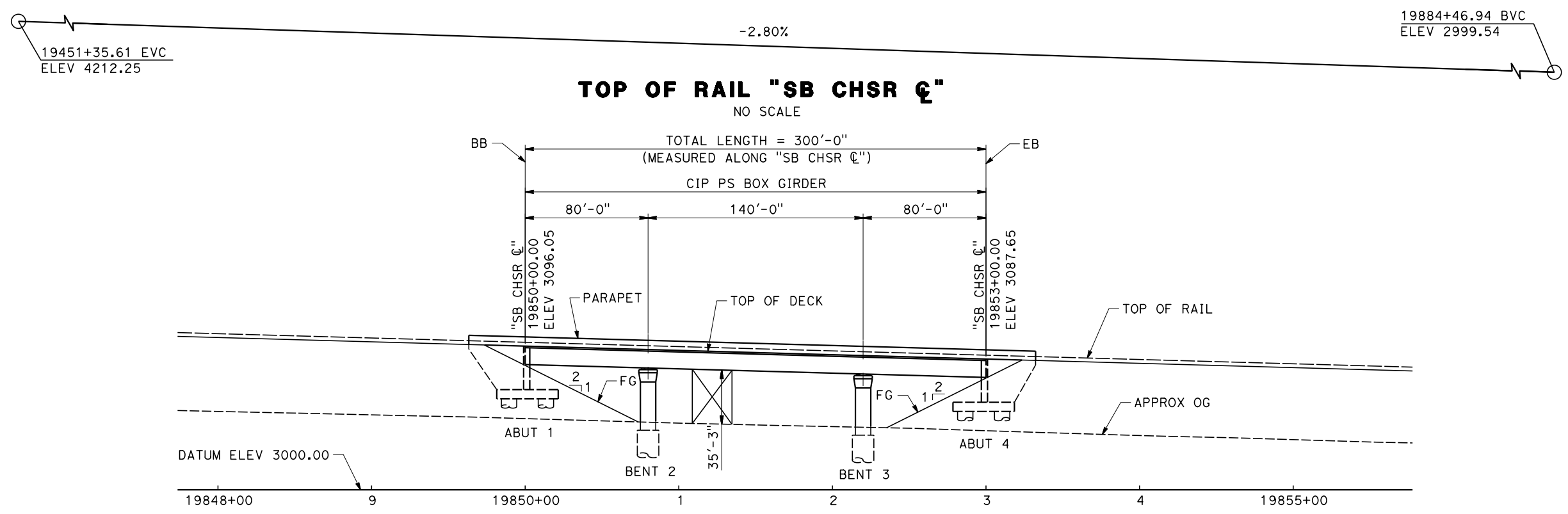
CONTRACT NO.
HSR13-44

DRAWING NO.
ST-J1076

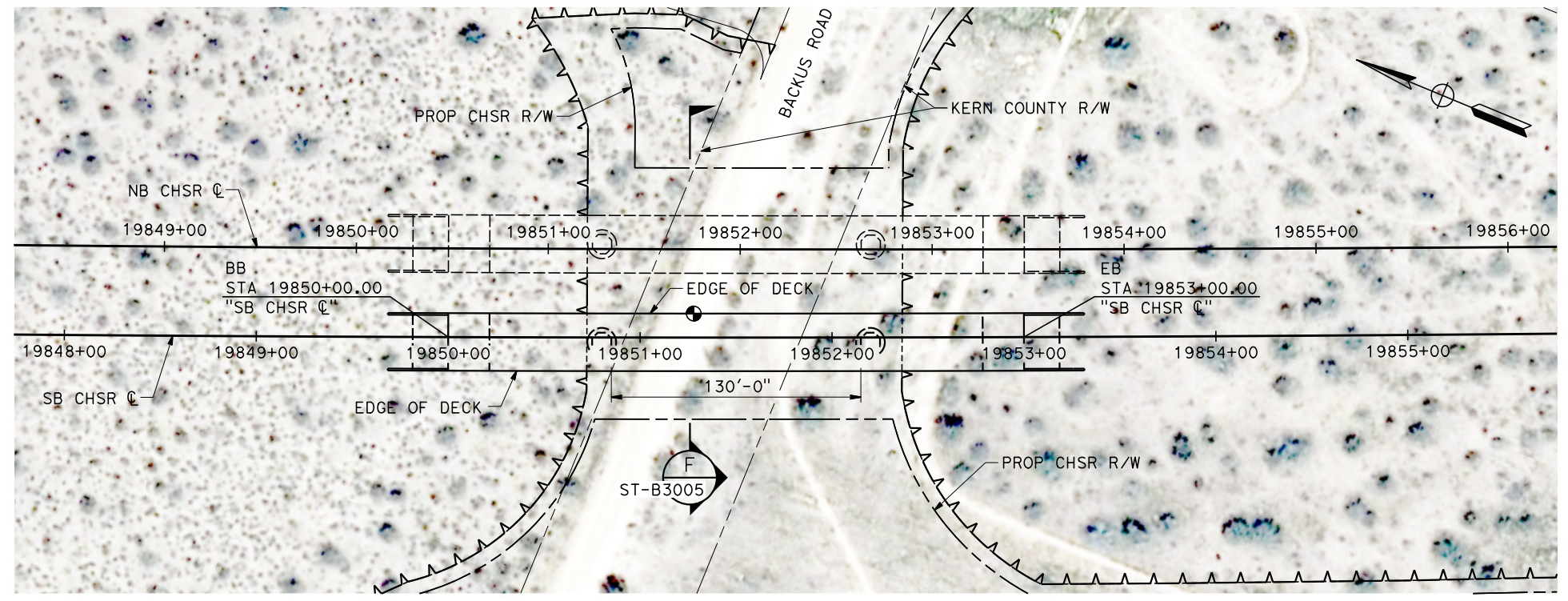
SCALE
AS SHOWN

SHEET NO.

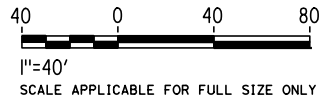
Projects\701206_00_CHSRBP\00_CADD\Sheet_Files\ST\BP-ST-J1077.dgn
10/30/2017 11:13:39 AM
TYLIN\Wang



ELEVATION
SCALE 1" = 40'



PLAN
SCALE 1" = 40'



REV	DATE	BY	CHK	APP	DESCRIPTION

DESIGNED BY
ROBERT BARTON
DRAWN BY
IVAN MARTIN
CHECKED BY
R. GOLCHOBIAN
IN CHARGE
STEVE SMITH
DATE
10/31/2017

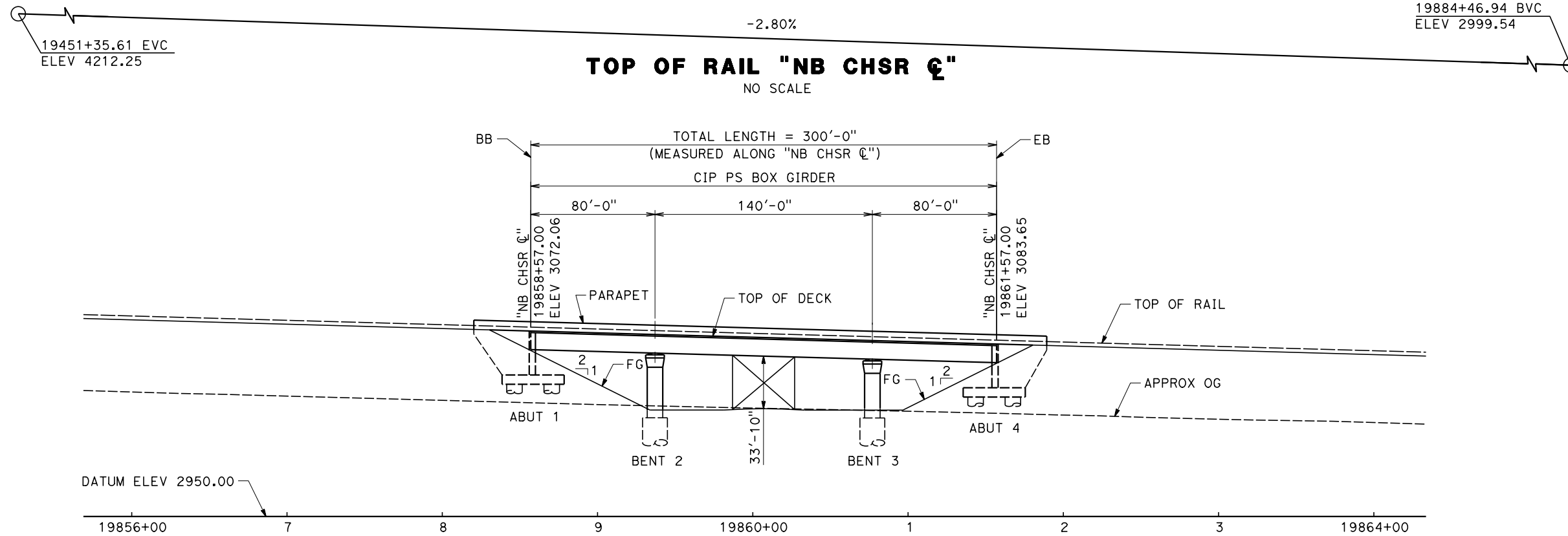
**RECORD
PEPD
SUBMITTAL**

**NOT FOR
CONSTRUCTION**

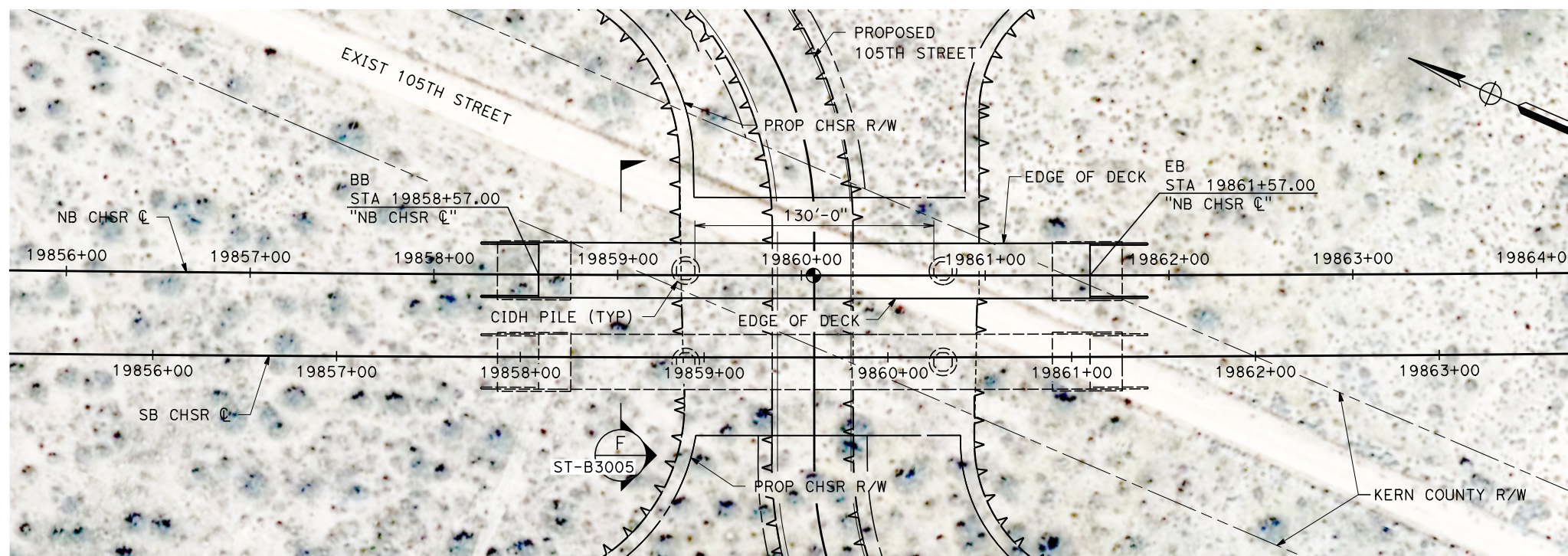


CALIFORNIA HIGH-SPEED RAIL PROJECT
BAKERSFIELD TO PALMDALE
ALTERNATIVES 1,2,5
TRACK STRUCTURES
BACKUS ROAD SOUTH UNDERPASS
PLAN AND ELEVATION

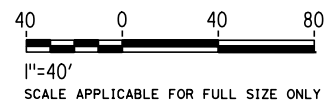
CONTRACT NO.
HSR13-44
DRAWING NO.
ST-J1077
SCALE
AS SHOWN
SHEET NO.



ELEVATION
SCALE 1" = 40'



PLAN
SCALE 1" = 40'



Projects\701206_00_CHSRBP\00_CADD\Sheet Files\ST\BP-ST-J1078.dgn
10/30/2017 11:13:46 AM
TYLIN\Wang

REV	DATE	BY	CHK	APP	DESCRIPTION

DESIGNED BY
ROBERT BARTON
DRAWN BY
IVAN MARTIN
CHECKED BY
R. GOLCHOBIAN
IN CHARGE
STEVE SMITH
DATE
10/31/2017

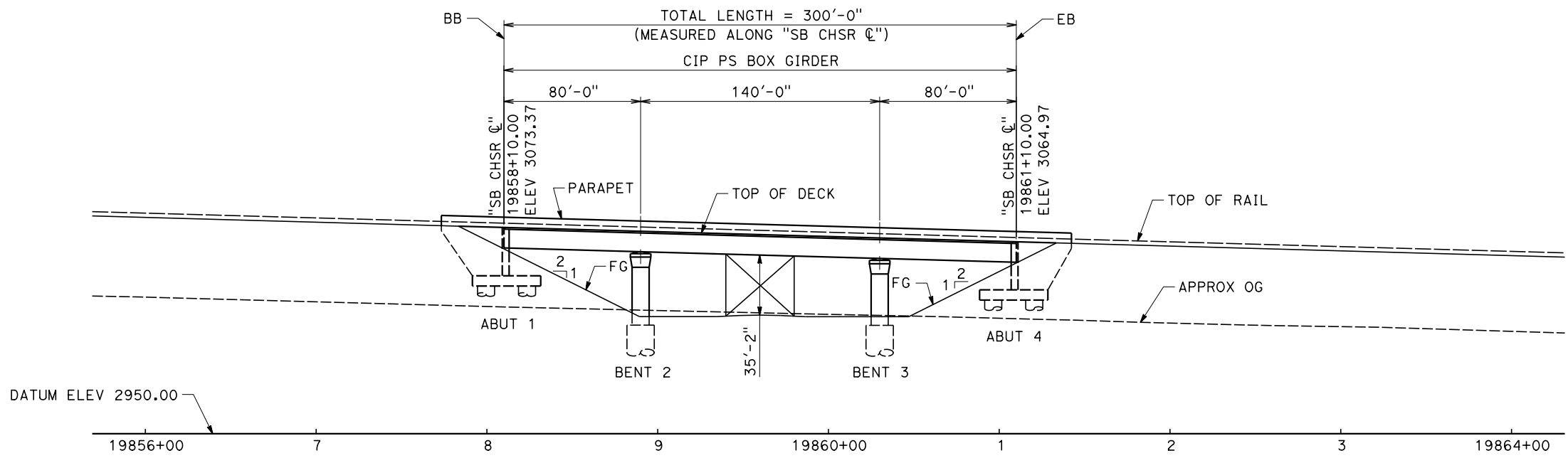
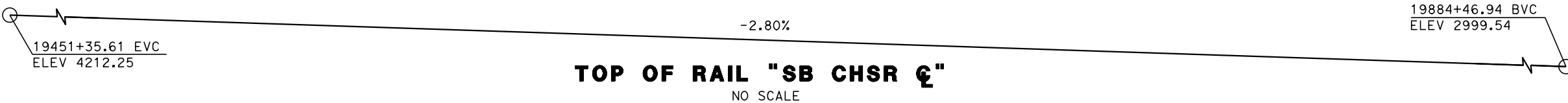
**RECORD
PEPD
SUBMITTAL**

**NOT FOR
CONSTRUCTION**

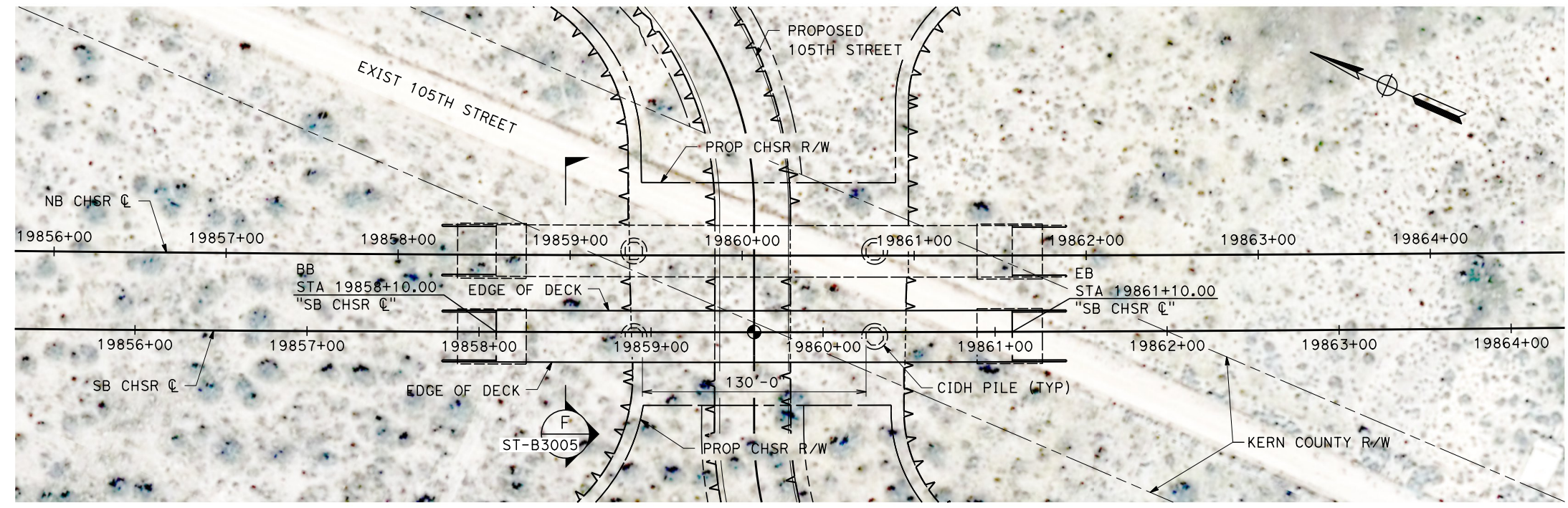


**CALIFORNIA HIGH-SPEED RAIL PROJECT
BAKERSFIELD TO PALMDALE**
ALTERNATIVES 1,2,5
TRACK STRUCTURES
105TH STREET NORTH UNDERPASS
PLAN AND ELEVATION

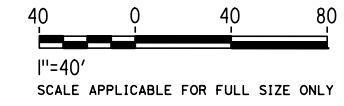
CONTRACT NO.
HSR13-44
DRAWING NO.
ST-J1078
SCALE
AS SHOWN
SHEET NO.



ELEVATION
SCALE 1" = 40'



PLAN
SCALE 1" = 40'



Projects\701206_00_CHSRBP\00_CADD\Sheet Files\ST\BP-ST-J1079.dgn
10/30/2017 11:20:15 AM TYLIN\Wang

REV	DATE	BY	CHK	APP	DESCRIPTION

DESIGNED BY
ROBERT BARTON
DRAWN BY
IVAN MARTIN
CHECKED BY
R. GOLCHOBIAN
IN CHARGE
STEVE SMITH
DATE
10/31/2017

**RECORD
PEPD
SUBMITTAL**

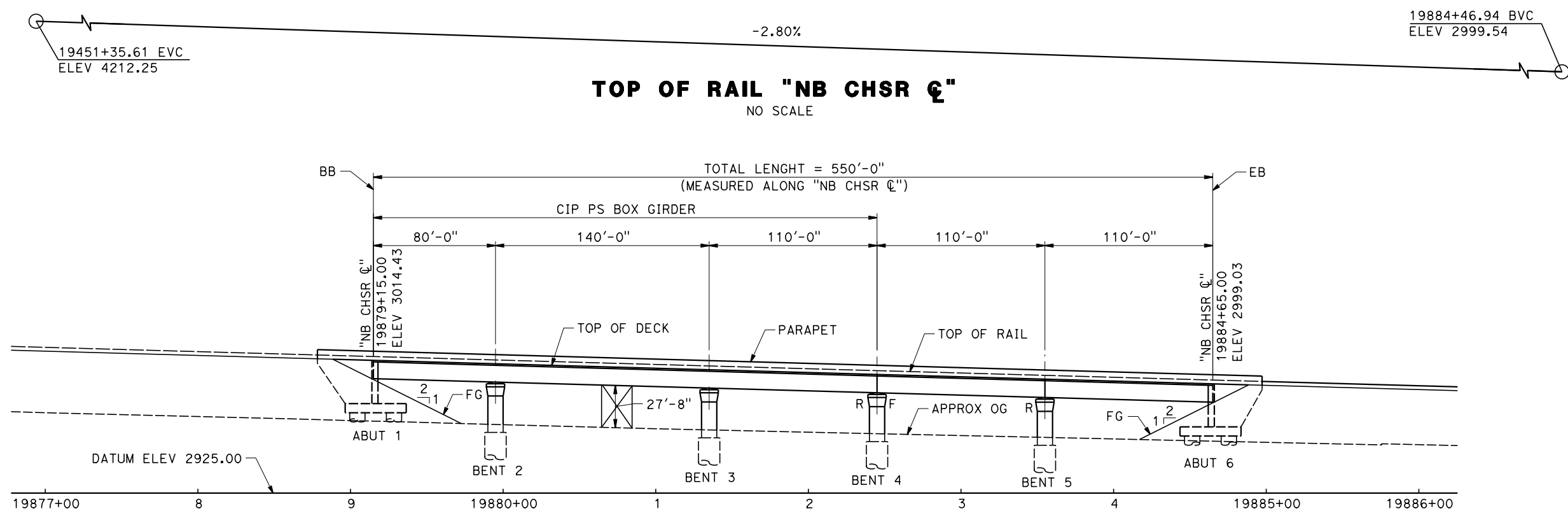
**NOT FOR
CONSTRUCTION**

TYLIN INTERNATIONAL

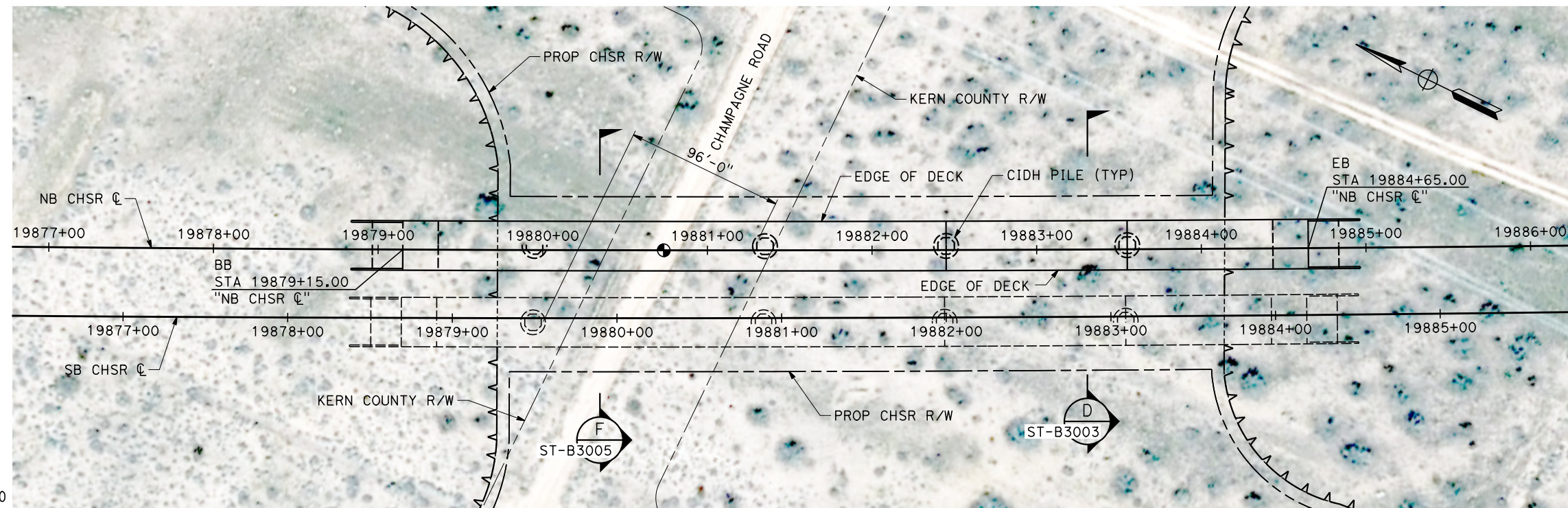


**CALIFORNIA HIGH-SPEED RAIL PROJECT
BAKERSFIELD TO PALMDALE**
ALTERNATIVES 1,2,5
TRACK STRUCTURES
105TH STREET SOUTH UNDERPASS
PLAN AND ELEVATION

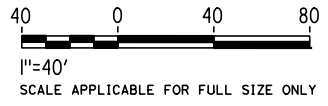
CONTRACT NO.
HSR13-44
DRAWING NO.
ST-J1079
SCALE
AS SHOWN
SHEET NO.



ELEVATION
SCALE 1"= 40'



PLAN
SCALE 1"= 40'



Projects\701206_00_CHSRBP\00_CADD\Sheet_Files\ST\BP-ST-J1080.dgn 10/30/2017 11:13:44 AM TYLIN\Wang

REV	DATE	BY	CHK	APP	DESCRIPTION

DESIGNED BY
ROBERT BARTON
DRAWN BY
IVAN MARTIN
CHECKED BY
R. GOLCHOBIAN
IN CHARGE
STEVE SMITH
DATE
10/31/2017

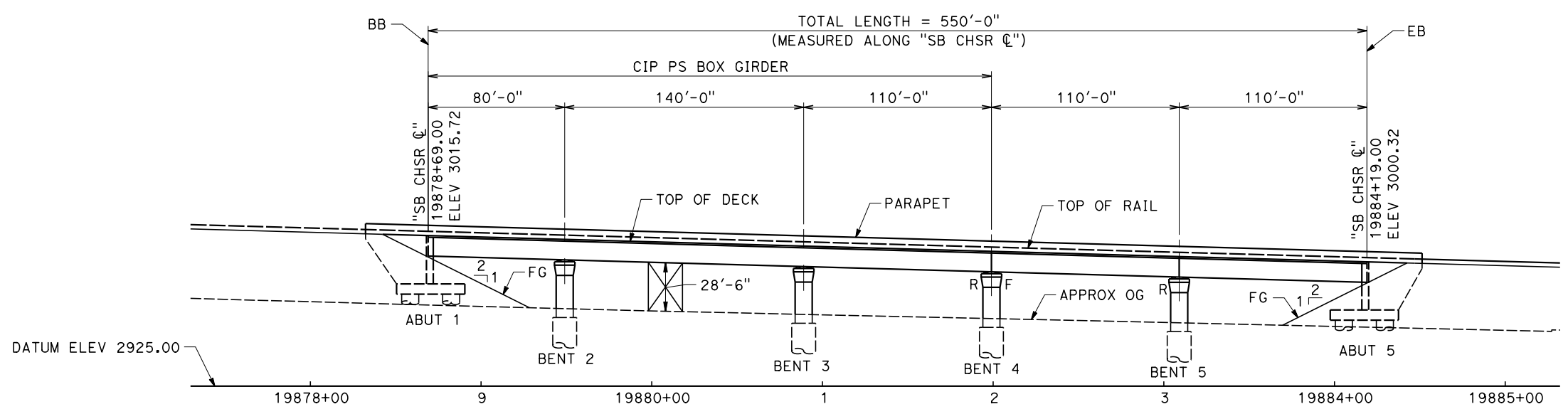
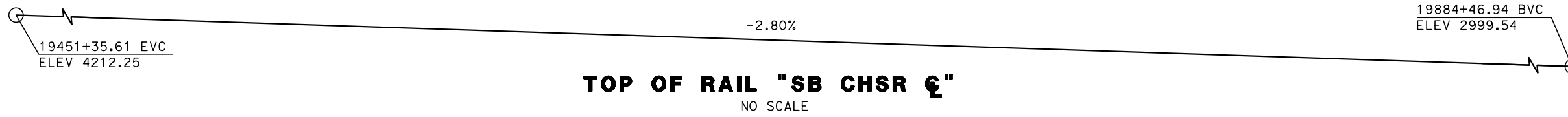
**RECORD
PEPD
SUBMITTAL**

**NOT FOR
CONSTRUCTION**

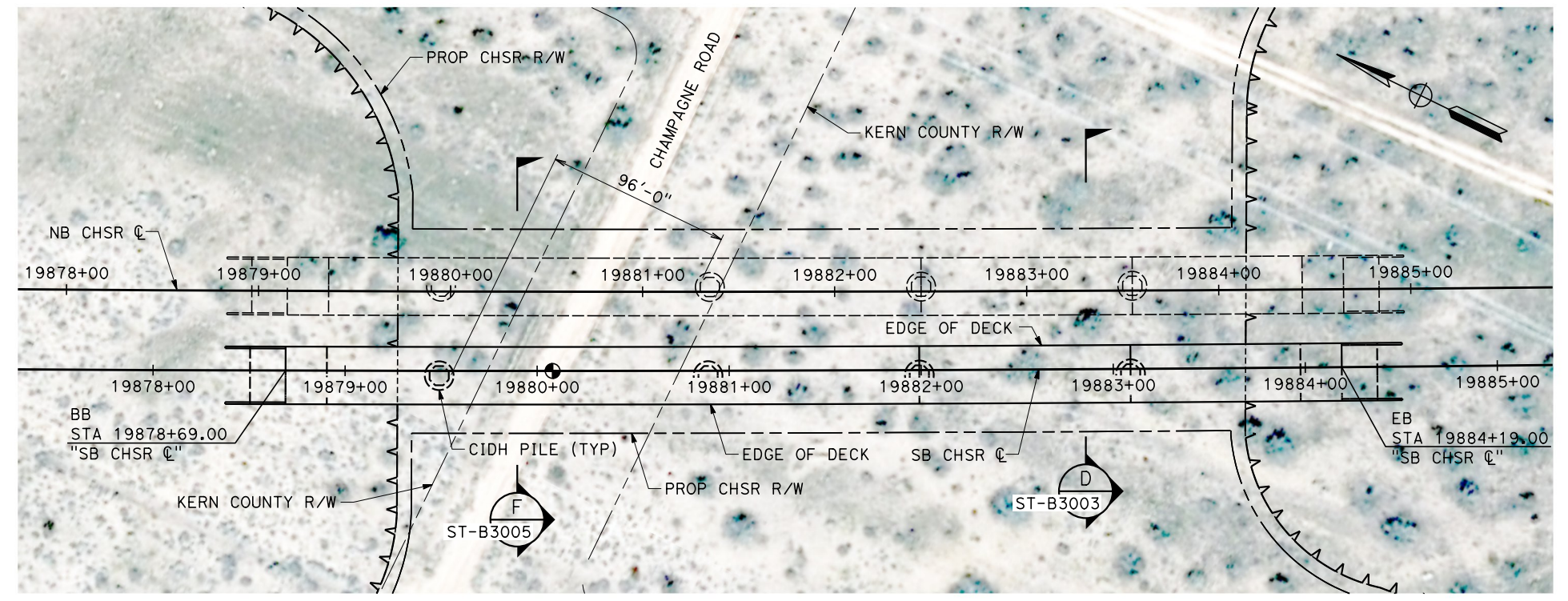


CALIFORNIA HIGH-SPEED RAIL PROJECT
BAKERSFIELD TO PALMDALE
ALTERNATIVES 1,2,5
TRACK STRUCTURES
CHAMPAGNE ROAD NORTH UNDERPASS
PLAN AND ELEVATION

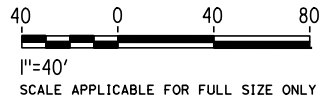
CONTRACT NO.
HSR13-44
DRAWING NO.
ST-J1080
SCALE
AS SHOWN
SHEET NO.



ELEVATION
SCALE 1" = 40'



PLAN
SCALE 1" = 40'



Projects\701206_00_CHSRBP\00_CADD\Sheet Files\ST\BP-ST-J1081.dgn 10/30/2017 11:13:51 AM TYLIN\Wang

REV	DATE	BY	CHK	APP	DESCRIPTION

DESIGNED BY
ROBERT BARTON
DRAWN BY
IVAN MARTIN
CHECKED BY
R. GOLCHOBIAN
IN CHARGE
STEVE SMITH
DATE
10/31/2017

**RECORD
PEPD
SUBMITTAL**

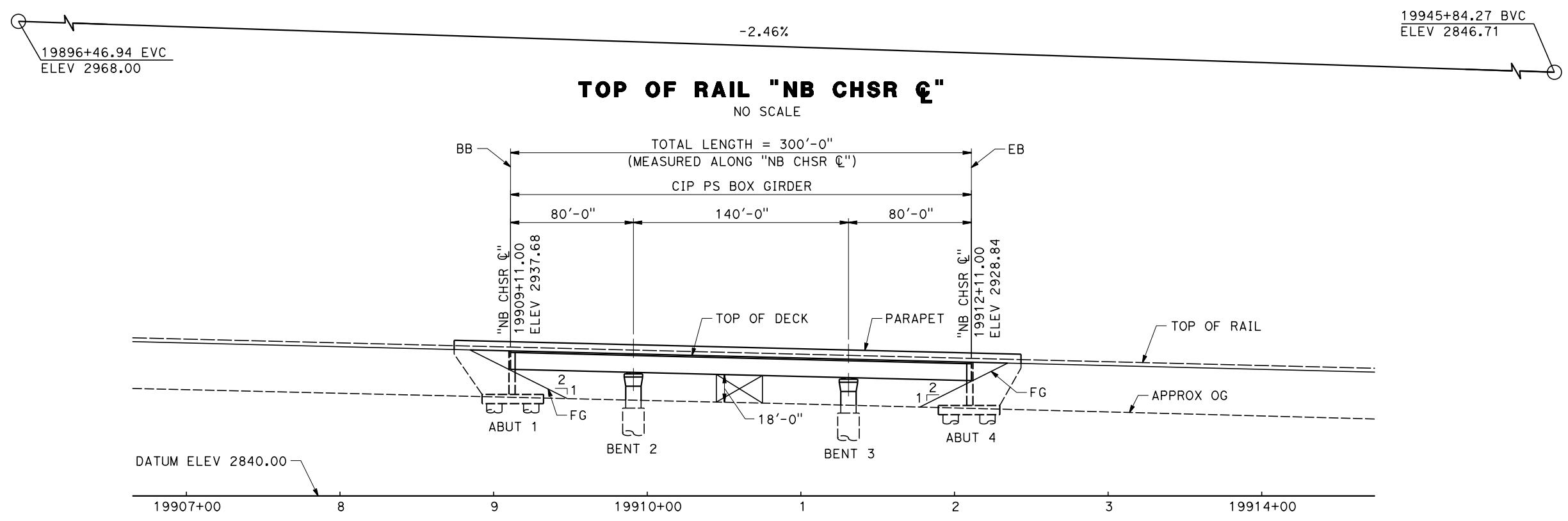
**NOT FOR
CONSTRUCTION**



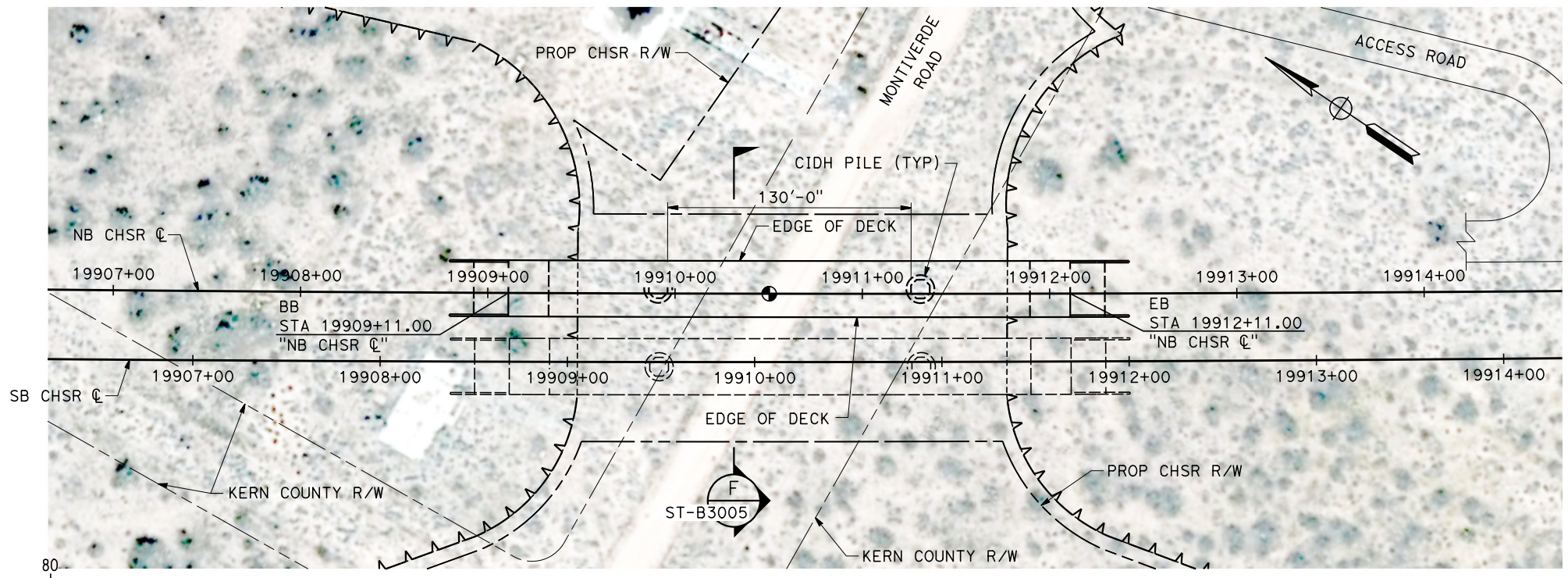
CALIFORNIA HIGH-SPEED RAIL PROJECT
BAKERSFIELD TO PALMDALE
ALTERNATIVES 1,2,5
TRACK STRUCTURES
CHAMPAGNE ROAD SOUTH UNDERPASS
PLAN AND ELEVATION

CONTRACT NO.
HSR13-44
DRAWING NO.
ST-J1081
SCALE
AS SHOWN
SHEET NO.

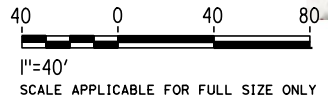
Projects\701206_00_CHSRBP\00_CADD\Sheet_Files\ST\BP-ST-J1082.dgn
10/30/2017 11:20:04 AM TYLIN\Wang



ELEVATION
SCALE 1" = 40'



PLAN
SCALE 1" = 40'



REV	DATE	BY	CHK	APP	DESCRIPTION

DESIGNED BY
ROBERT BARTON
DRAWN BY
IVAN MARTIN
CHECKED BY
R. GOLCHOBIAN
IN CHARGE
STEVE SMITH
DATE
10/31/2017

**RECORD
PEPD
SUBMITTAL**

**NOT FOR
CONSTRUCTION**

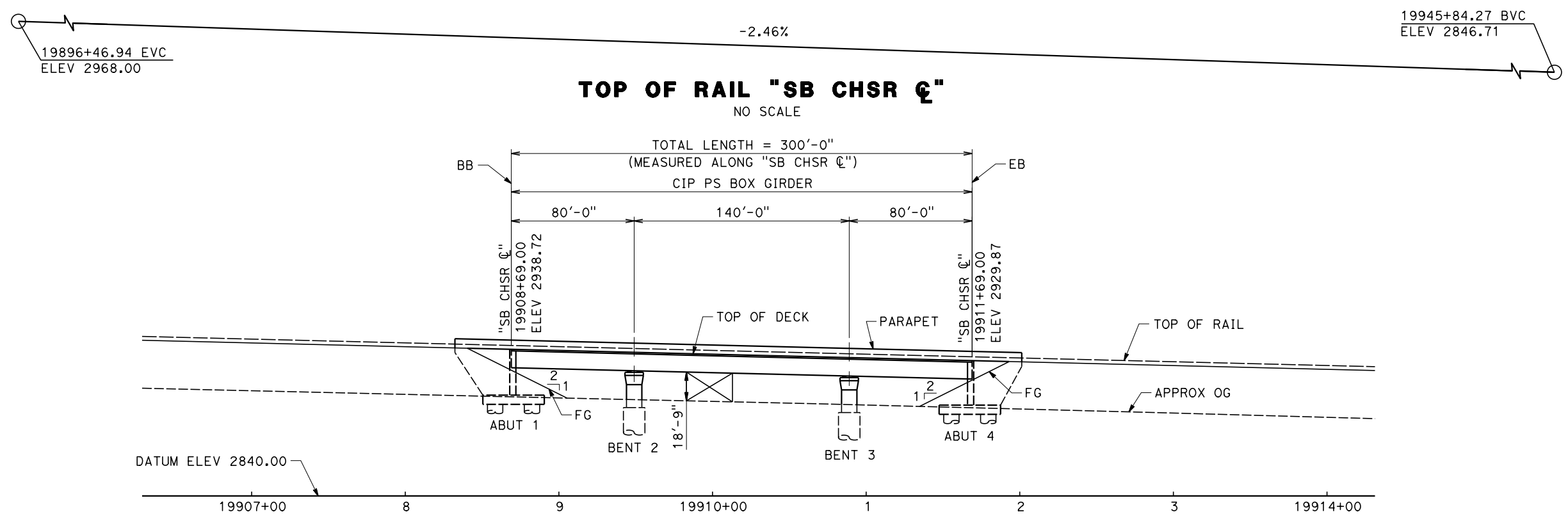
TYLIN INTERNATIONAL



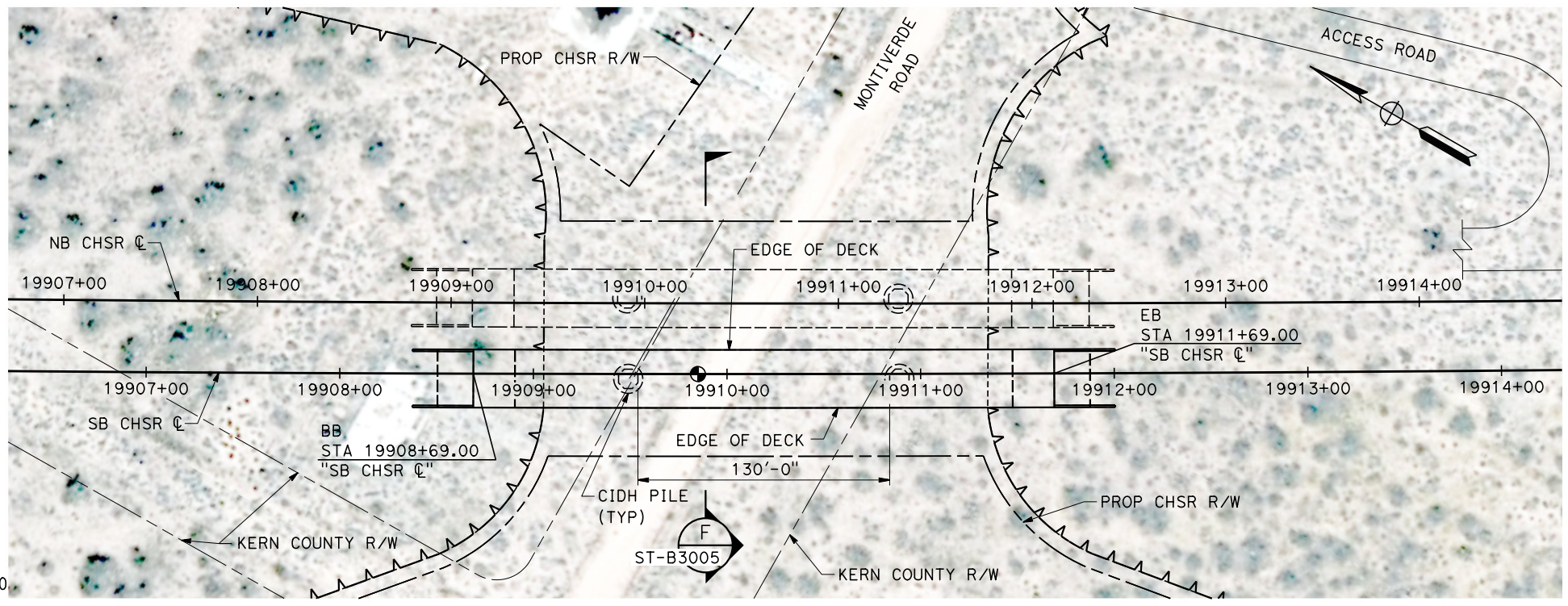
CALIFORNIA HIGH-SPEED RAIL PROJECT
BAKERSFIELD TO PALMDALE
ALTERNATIVES 1,2,5
TRACK STRUCTURES
MONTIVERDE ROAD NORTH UNDERPASS
PLAN AND ELEVATION

CONTRACT NO.
HSR13-44
DRAWING NO.
ST-J1082
SCALE
AS SHOWN
SHEET NO.

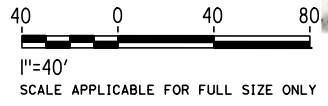
Projects\701206_00_CHSRBP\00_CADD\Sheet Files\ST\BP-ST-J1083.dgn
10/30/2017 11:13:48 AM
TYLIN\Wang



ELEVATION
SCALE 1" = 40'



PLAN
SCALE 1" = 40'



REV	DATE	BY	CHK	APP	DESCRIPTION

DESIGNED BY
ROBERT BARTON
DRAWN BY
IVAN MARTIN
CHECKED BY
R. GOLCHOBIAN
IN CHARGE
STEVE SMITH
DATE
10/31/2017

**RECORD
PEPD
SUBMITTAL**

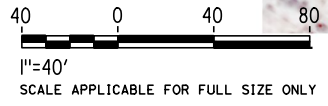
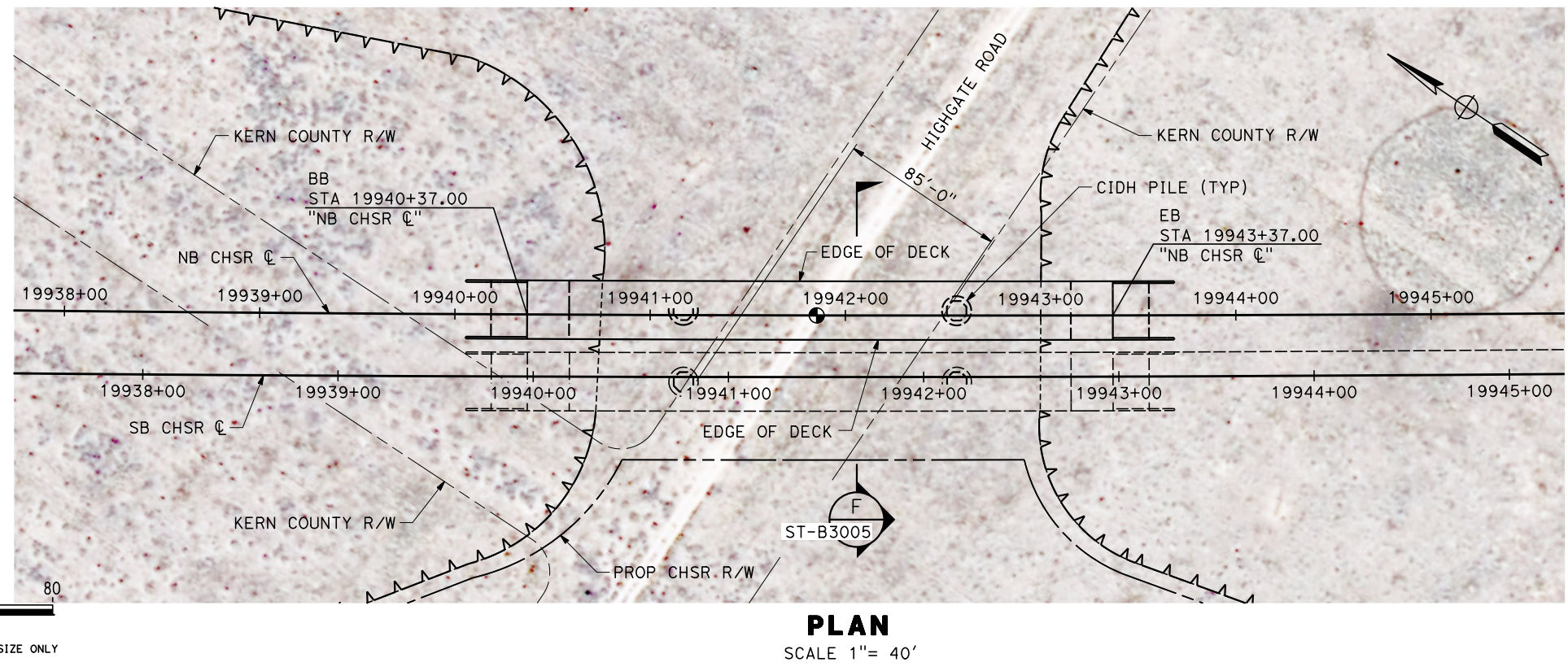
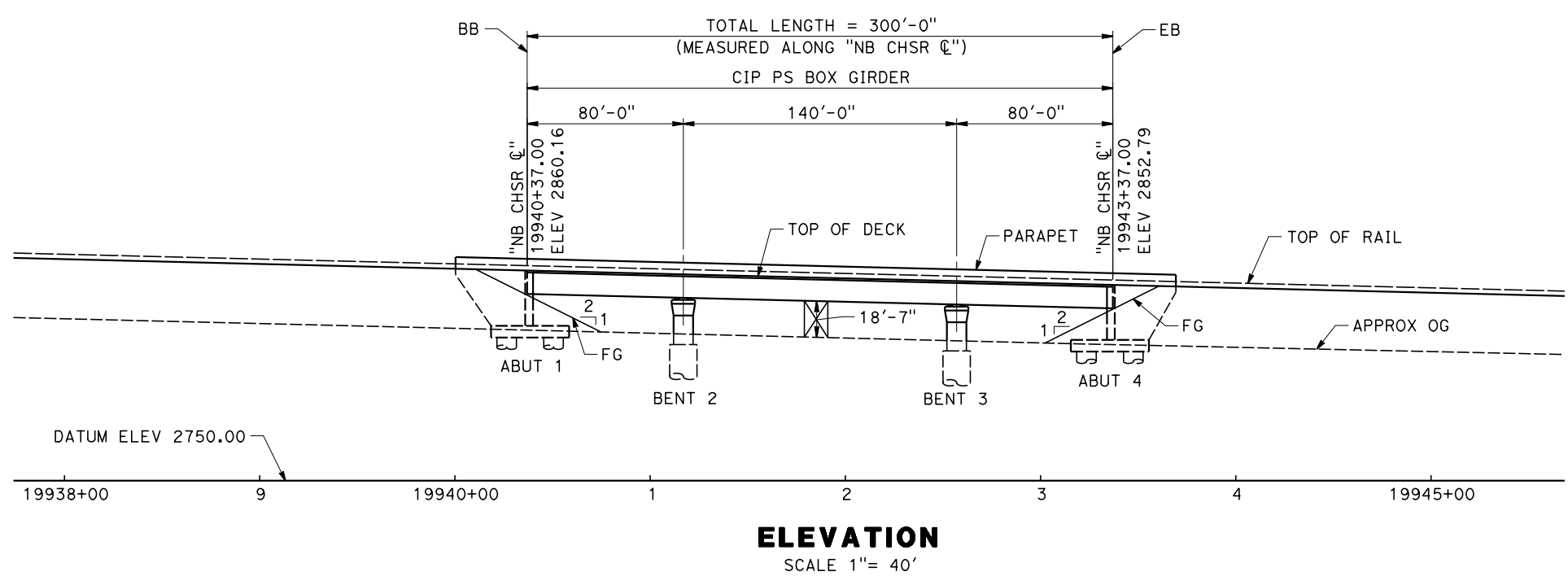
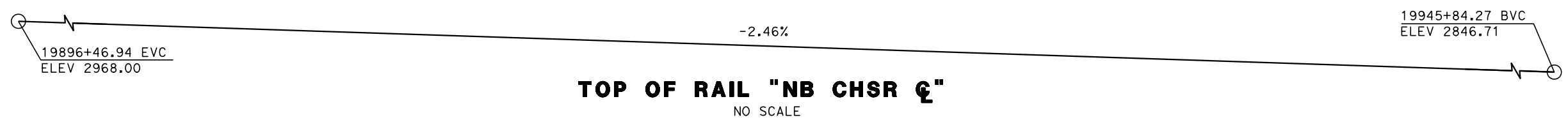
**NOT FOR
CONSTRUCTION**



CALIFORNIA HIGH-SPEED RAIL PROJECT
BAKERSFIELD TO PALMDALE
ALTERNATIVES 1,2,5
TRACK STRUCTURES
MONTIVERDE ROAD SOUTH UNDERPASS
PLAN AND ELEVATION

CONTRACT NO.
HSR13-44
DRAWING NO.
ST-J1083
SCALE
AS SHOWN
SHEET NO.

Projects\701206_00_CHSRBP\00_CADD\Sheet Files\ST\BP-ST-J1084.dgn 10/30/2017 11:14:59 AM TYLIN\Wang



REV	DATE	BY	CHK	APP	DESCRIPTION

DESIGNED BY
ROBERT BARTON
DRAWN BY
IVAN MARTIN
CHECKED BY
R. GOLCHOBIAN
IN CHARGE
STEVE SMITH
DATE
10/31/2017

**RECORD
PEPD
SUBMITTAL**

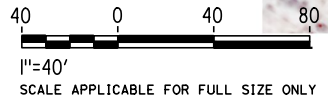
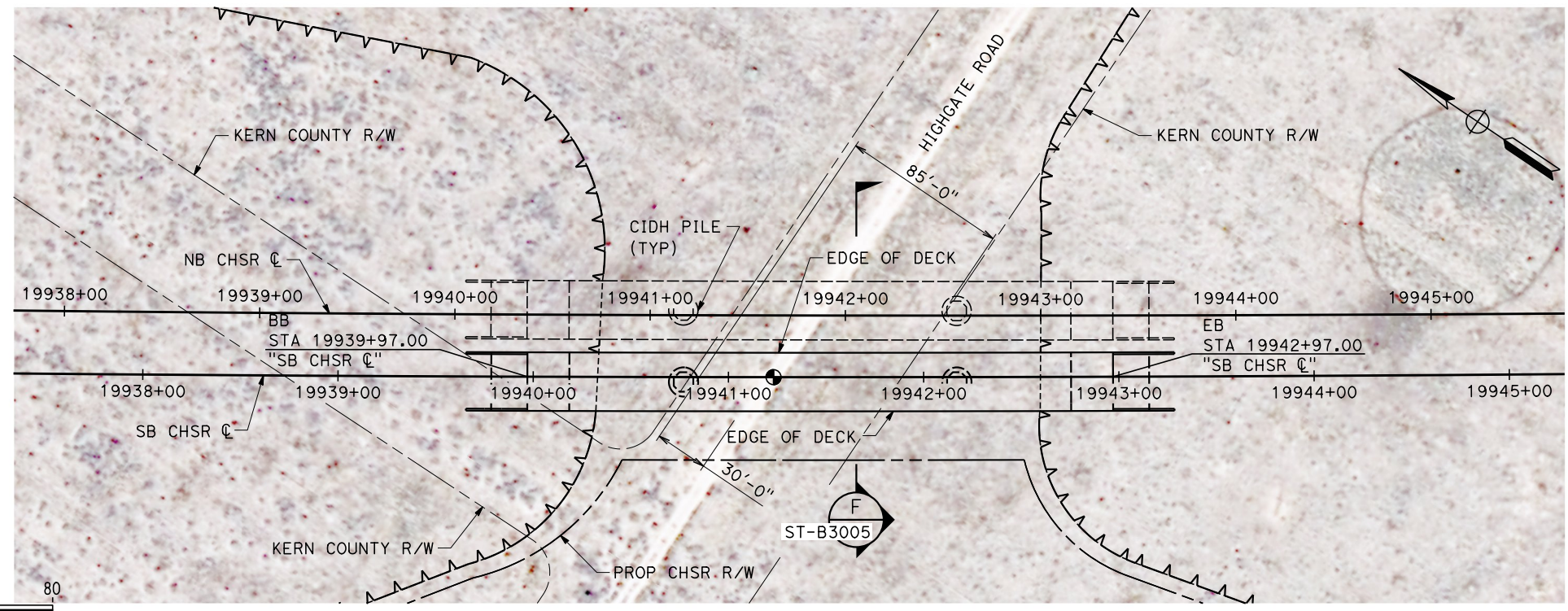
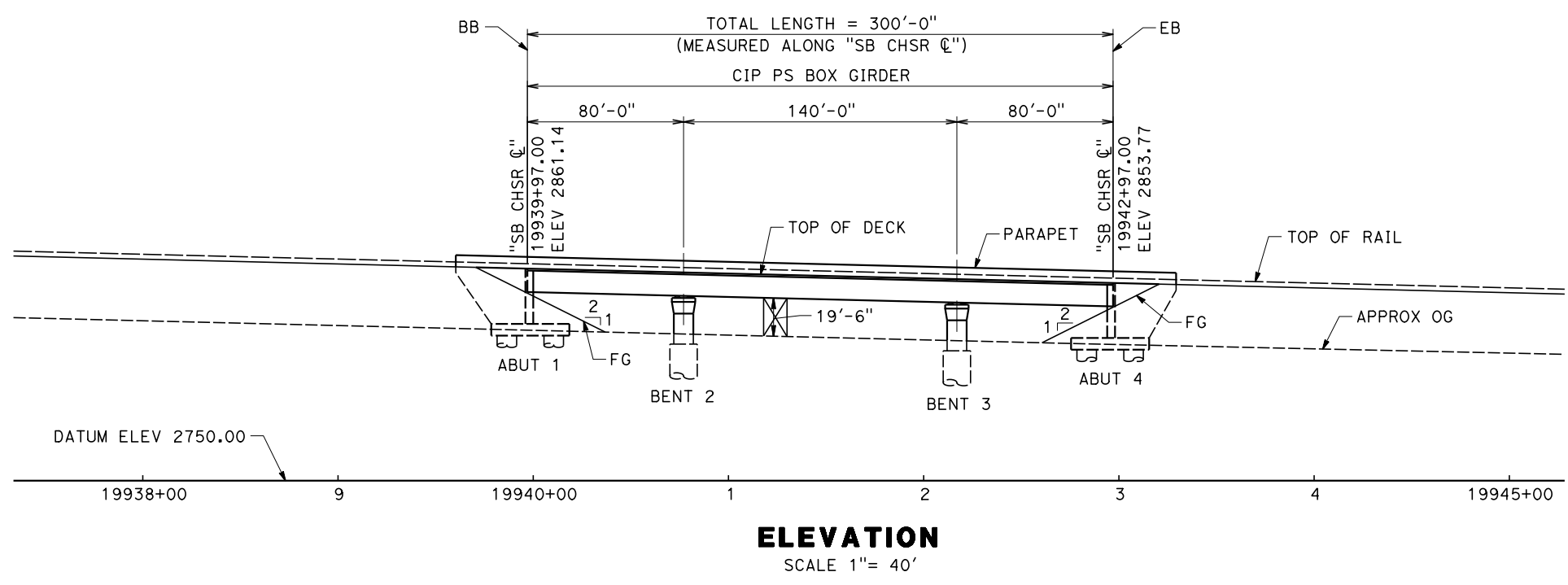
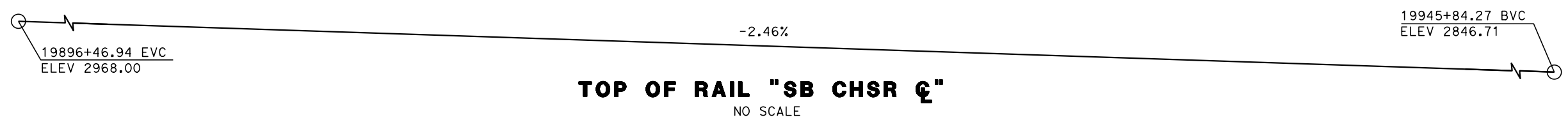
**NOT FOR
CONSTRUCTION**



CALIFORNIA HIGH-SPEED RAIL PROJECT
BAKERSFIELD TO PALMDALE
ALTERNATIVES 1,2,5
TRACK STRUCTURES
HIGHGATE ROAD NORTH UNDERPASS
PLAN AND ELEVATION

CONTRACT NO.
HSR13-44
DRAWING NO.
ST-J1084
SCALE
AS SHOWN
SHEET NO.

Projects\701206_00_CHSRBP\00_CADD\Sheet Files\ST\BP-ST-J1085.dgn
10/30/2017 11:15:45 AM TYLIN\Wang



REV	DATE	BY	CHK	APP	DESCRIPTION

DESIGNED BY
ROBERT BARTON
DRAWN BY
IVAN MARTIN
CHECKED BY
R. GOLCHOBIAN
IN CHARGE
STEVE SMITH
DATE
10/31/2017

**RECORD
PEPD
SUBMITTAL**

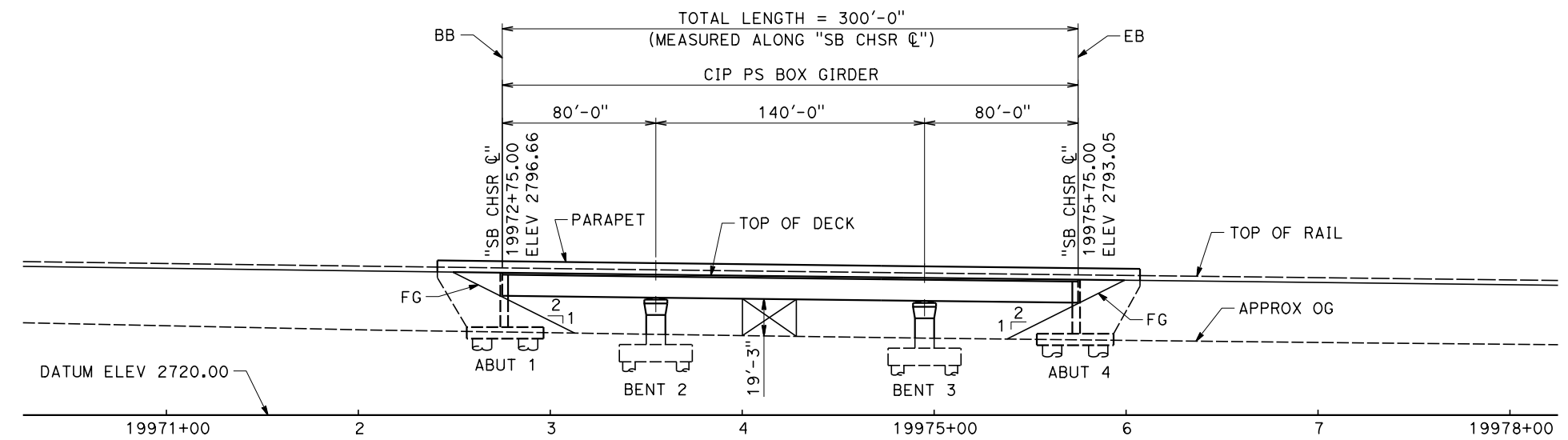
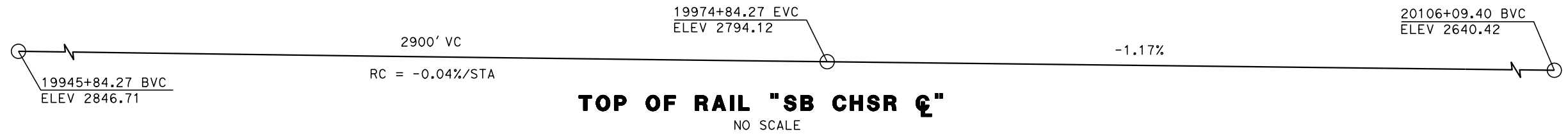
**NOT FOR
CONSTRUCTION**



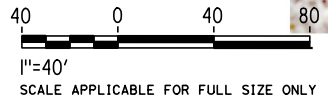
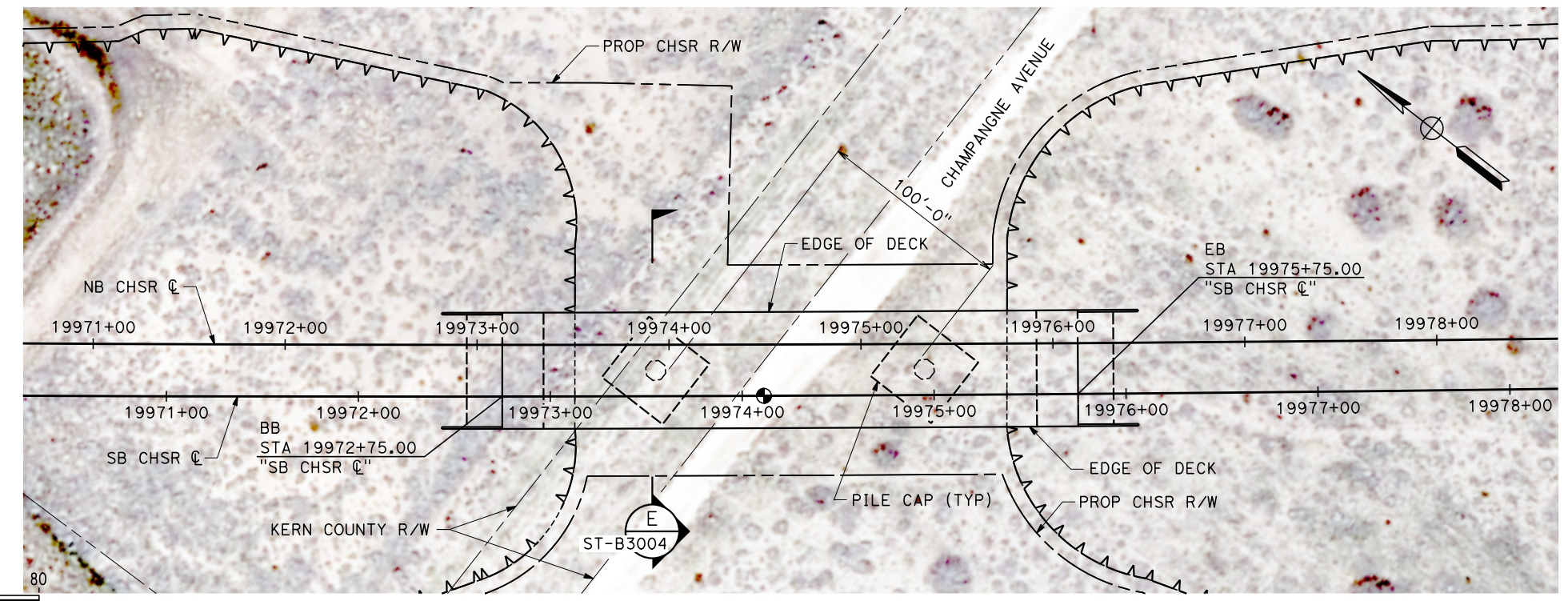
CALIFORNIA HIGH-SPEED RAIL PROJECT
BAKERSFIELD TO PALMDALE
ALTERNATIVES 1,2,5
TRACK STRUCTURES
HIGHGATE ROAD SOUTH UNDERPASS
PLAN AND ELEVATION

CONTRACT NO.
HSR13-44
DRAWING NO.
ST-J1085
SCALE
AS SHOWN
SHEET NO.

Projects\701206.00_CHSRBP\00_CADD\Sheet_Files\ST\BP-ST-J1086.dgn 10/30/2017 11:14:09 AM TYLIN\Wang



ELEVATION
SCALE 1"= 40'



PLAN
SCALE 1"= 40'

REV	DATE	BY	CHK	APP	DESCRIPTION

DESIGNED BY
ROBERT BARTON
DRAWN BY
IVAN MARTIN
CHECKED BY
R. GOLCHOBIAN
IN CHARGE
STEVE SMITH
DATE
10/31/2017

**RECORD
PEPD
SUBMITTAL**

**NOT FOR
CONSTRUCTION**

TYLIN INTERNATIONAL



**CALIFORNIA HIGH-SPEED RAIL PROJECT
BAKERSFIELD TO PALMDALE**
ALTERNATIVES 1,2,5
TRACK STRUCTURES
CHAMPAGNE AVENUE UNDERPASS
PLAN AND ELEVATION

CONTRACT NO.
HSR13-44
DRAWING NO.
ST-J1086
SCALE
AS SHOWN
SHEET NO.

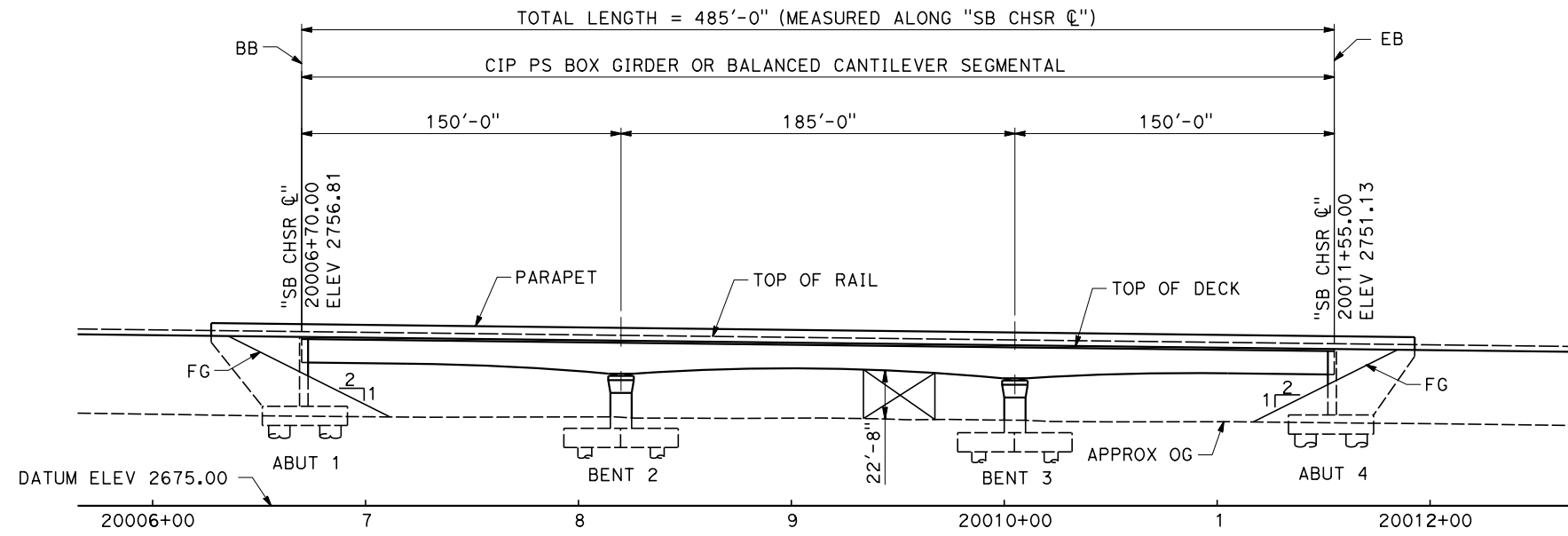
19974+84.27 EVC
Elev 2794.12

-1.17%

20106+09.40 BVC
Elev 2640.42

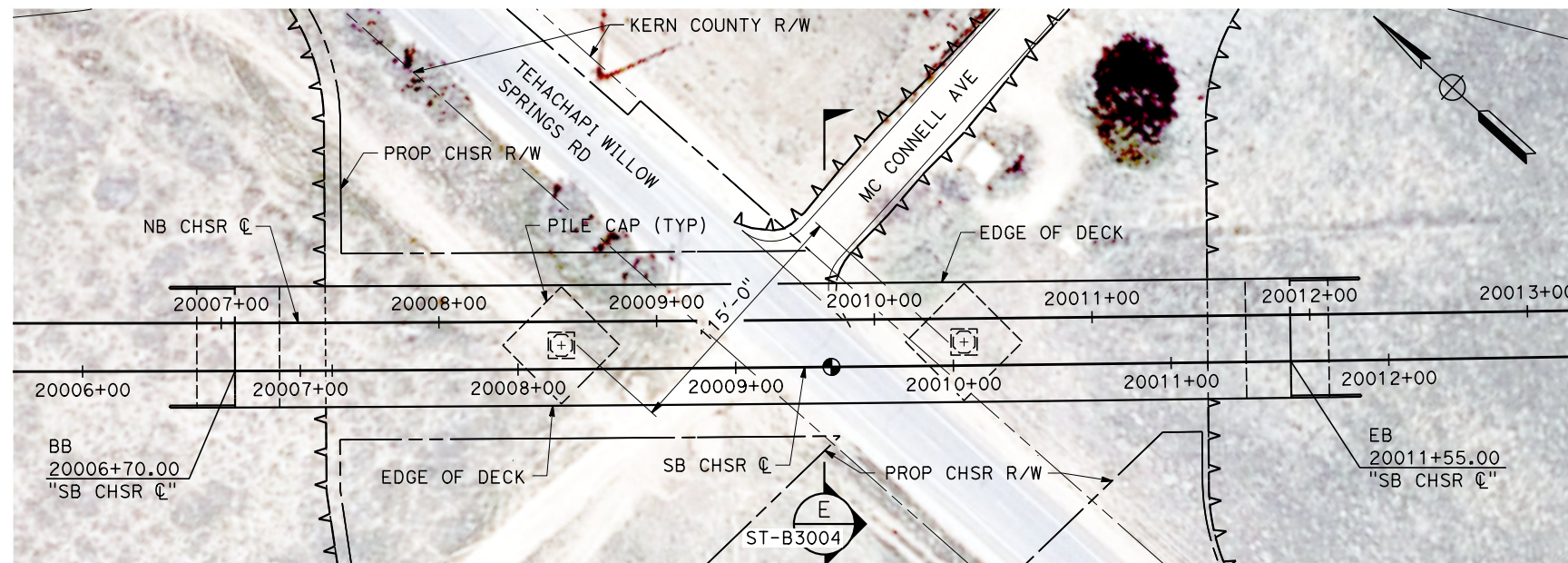
TOP OF RAIL "SB CHSR ☉"

NO SCALE



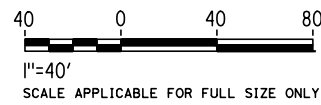
ELEVATION

SCALE 1" = 40'



PLAN

SCALE 1" = 40'



Projects\701206_00_CHSRBP\00_CADD\Sheet_Files\ST\BP-ST-J1087.dgn

10/30/2017 11:10:05 AM

TYLIN\Wang

REV	DATE	BY	CHK	APP	DESCRIPTION

DESIGNED BY
ROBERT BARTON

DRAWN BY
YIHONG WANG

CHECKED BY
R. GOLCHOBIAN

IN CHARGE
STEVE SMITH

DATE
10/31/2017

**RECORD
PEPD
SUBMITTAL**

**NOT FOR
CONSTRUCTION**

TYLIN INTERNATIONAL



CALIFORNIA HIGH-SPEED RAIL PROJECT
BAKERSFIELD TO PALMDALE

ALTERNATIVES 1,2,5
TRACK STRUCTURES
TEHACHAPI WILLOW SPRINGS ROAD UNDERPASS - 3
PLAN AND ELEVATION

CONTRACT NO.
HSR13-44

DRAWING NO.
ST-J1087

SCALE
AS SHOWN

SHEET NO.

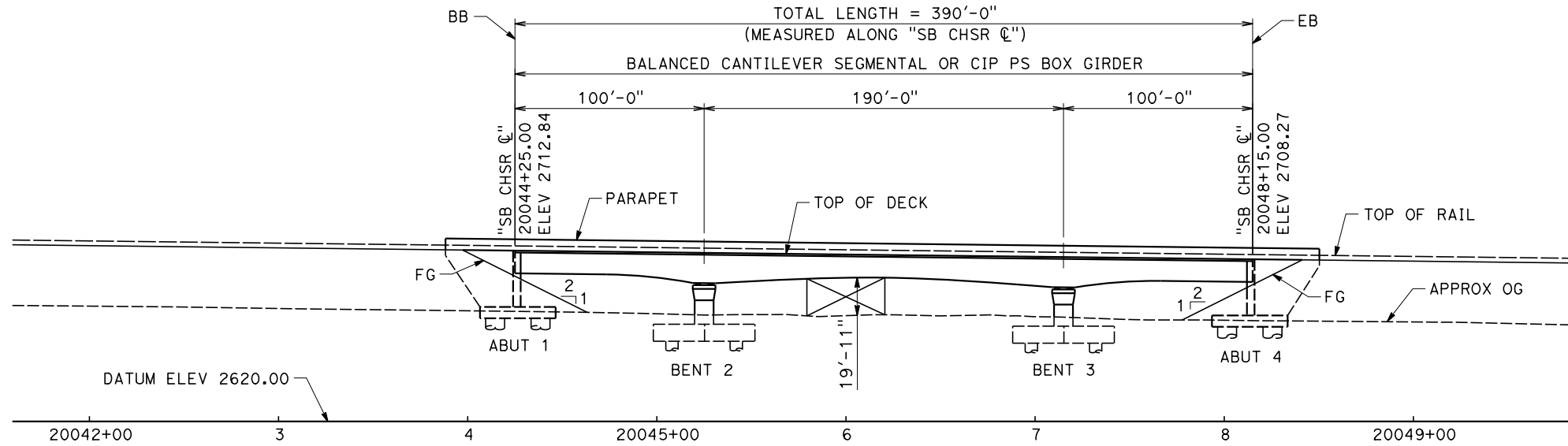
20106+09.40 BVC
ELEV 2640.42

-1.17%

19974+84.27 EVC
ELEV 2794.12

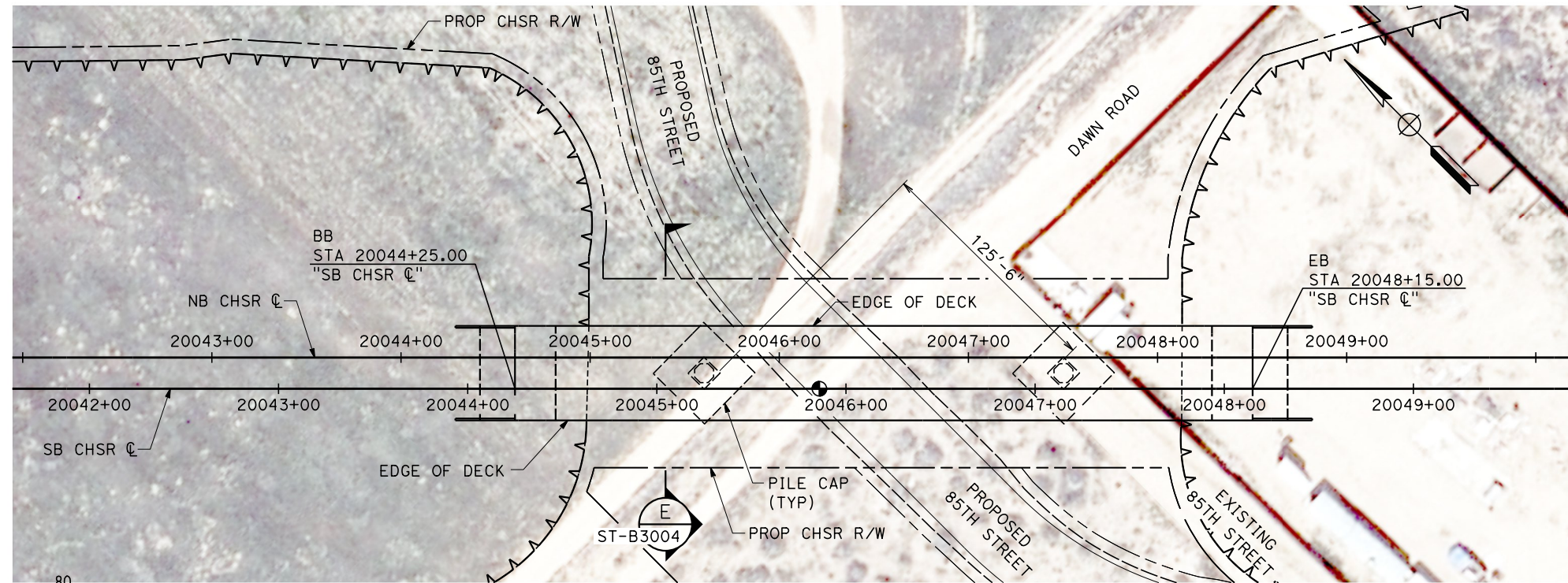
TOP OF RAIL "SB CHSR ☉"

NO SCALE



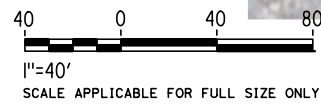
ELEVATION

SCALE 1"= 40'



PLAN

SCALE 1"= 40'



Projects\701206_00_CHSRBP\00_CADD\Sheet Files\ST\BP-ST-J1088.dgn

10/30/2017 11:24:05 AM

TYLIN\Wang

REV	DATE	BY	CHK	APP	DESCRIPTION

DESIGNED BY
ROBERT BARTON
DRAWN BY
IVAN MARTIN
CHECKED BY
R. GOLCHOBIAN
IN CHARGE
STEVE SMITH
DATE
10/31/2017

**RECORD
PEPD
SUBMITTAL**

**NOT FOR
CONSTRUCTION**

TYLIN INTERNATIONAL



CALIFORNIA HIGH-SPEED RAIL PROJECT
BAKERSFIELD TO PALMDALE
ALTERNATIVES 1,2,3,5
TRACK STRUCTURES
DAWN ROAD-85TH STREET UNDERPASS
PLAN AND ELEVATION

CONTRACT NO.
HSR13-44
DRAWING NO.
ST-J1088
SCALE
AS SHOWN
SHEET NO.

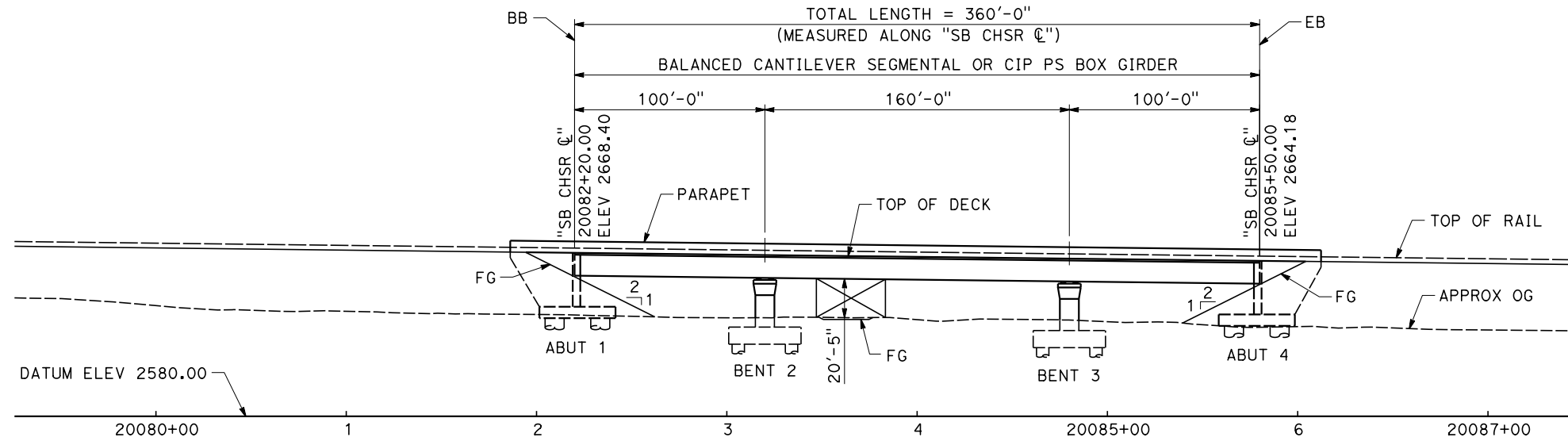
20106+09.40 BVC
ELEV 2640.42

-1.17%

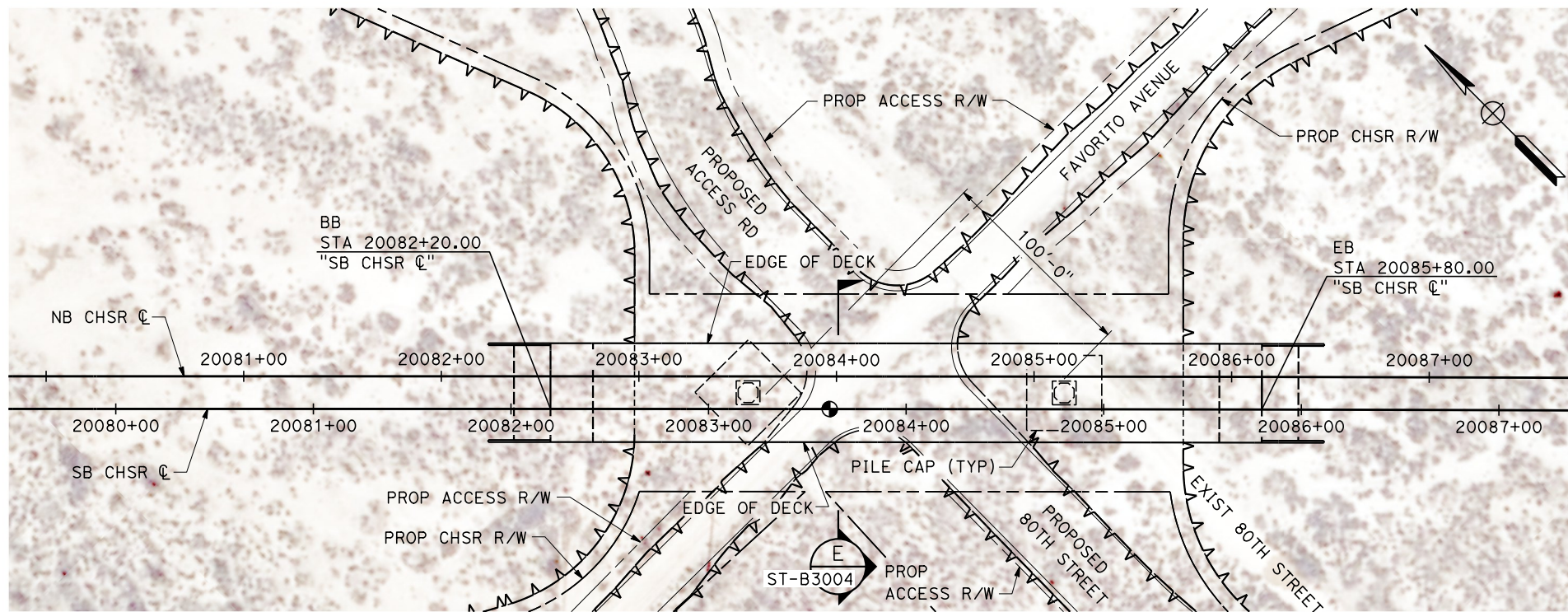
19974+84.27 EVC
ELEV 2794.12

TOP OF RAIL "SB CHSR ☉"

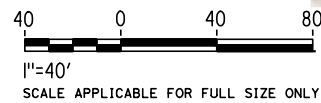
NO SCALE



ELEVATION
SCALE 1"= 40'



PLAN
SCALE 1"= 40'



Projects\701206_00_CHSRBP\00_CADD\Sheet Files\ST\BP-ST-J1089.dgn
11:16:05 AM
10/30/2017
TYLIN\Wang

REV	DATE	BY	CHK	APP	DESCRIPTION

DESIGNED BY
ROBERT BARTON
DRAWN BY
IVAN MARTIN
CHECKED BY
R. GOLCHOBIAN
IN CHARGE
STEVE SMITH
DATE
10/31/2017

**RECORD
PEPD
SUBMITTAL**

**NOT FOR
CONSTRUCTION**



**CALIFORNIA HIGH-SPEED RAIL PROJECT
BAKERSFIELD TO PALMDALE**

ALTERNATIVES 1,2,3,5
TRACK STRUCTURES
FAVORITO AVENUE-80TH STREET UNDERPASS
PLAN AND ELEVATION

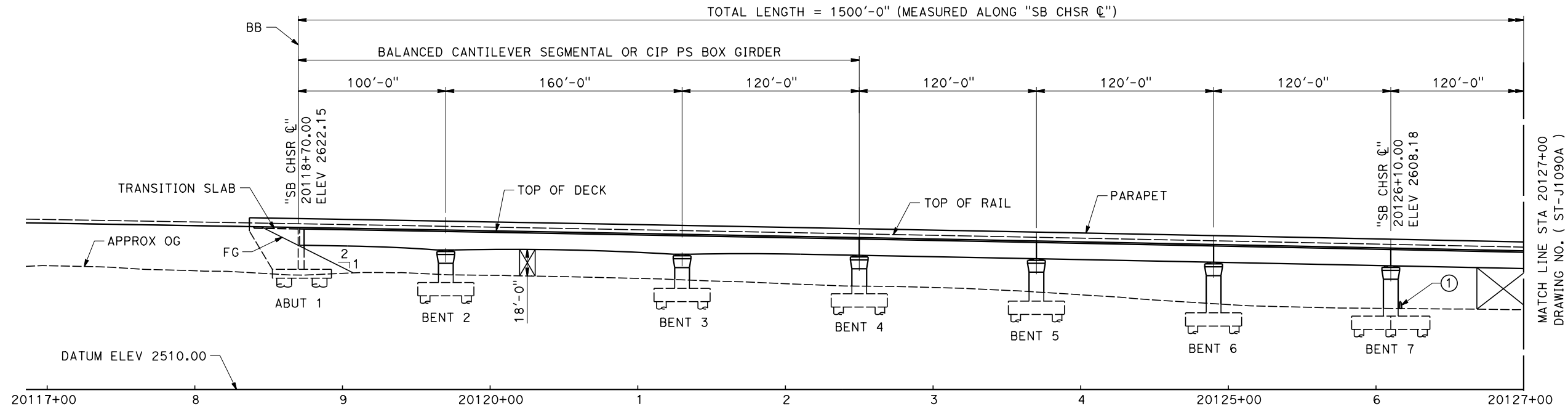
CONTRACT NO.
HSR13-44
DRAWING NO.
ST-J1089
SCALE
AS SHOWN
SHEET NO.

20131+09.40 EVC
ELEV 2597.39

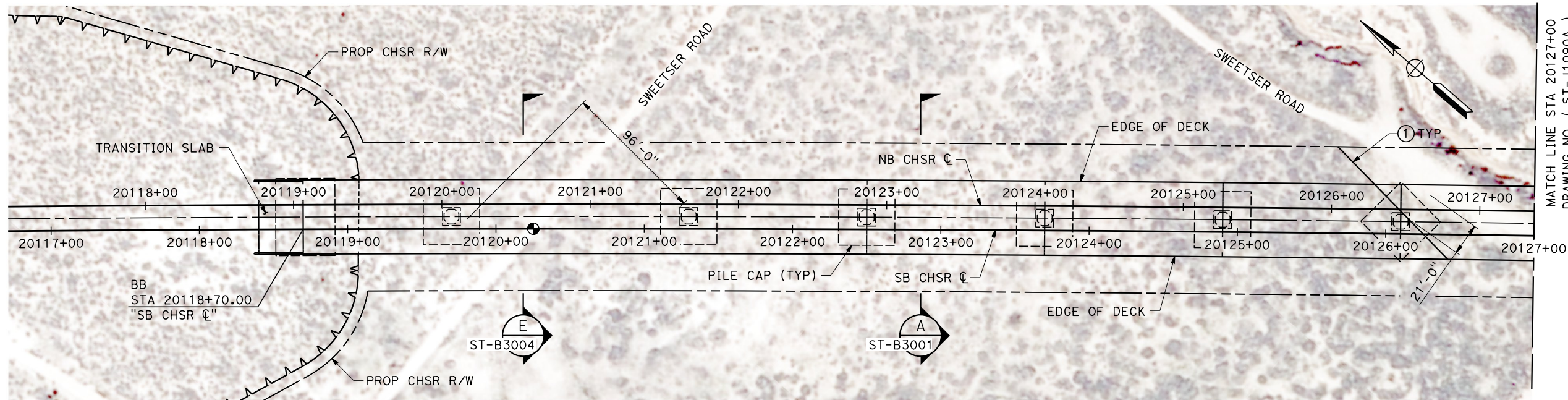
20106+09.40 BVC
ELEV 2640.42

2500'VC
RC = -0.04%/STA

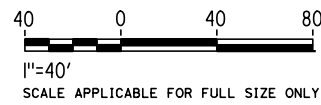
TOP OF RAIL "SB CHSR C"
NO SCALE



ELEVATION
SCALE 1" = 40'



PLAN
SCALE 1" = 40'



Projects\701206_00_CHSRBP\00_CADD\Sheet_Files\ST\BP-ST-J1090.dgn

11:23:13 AM
10/30/2017

TYLIN\Wang

REV	DATE	BY	CHK	APP	DESCRIPTION

DESIGNED BY
ROBERT BARTON
DRAWN BY
YIHONG WANG
CHECKED BY
R. GOLCHOBIAN
IN CHARGE
STEVE SMITH
DATE
10/31/2017

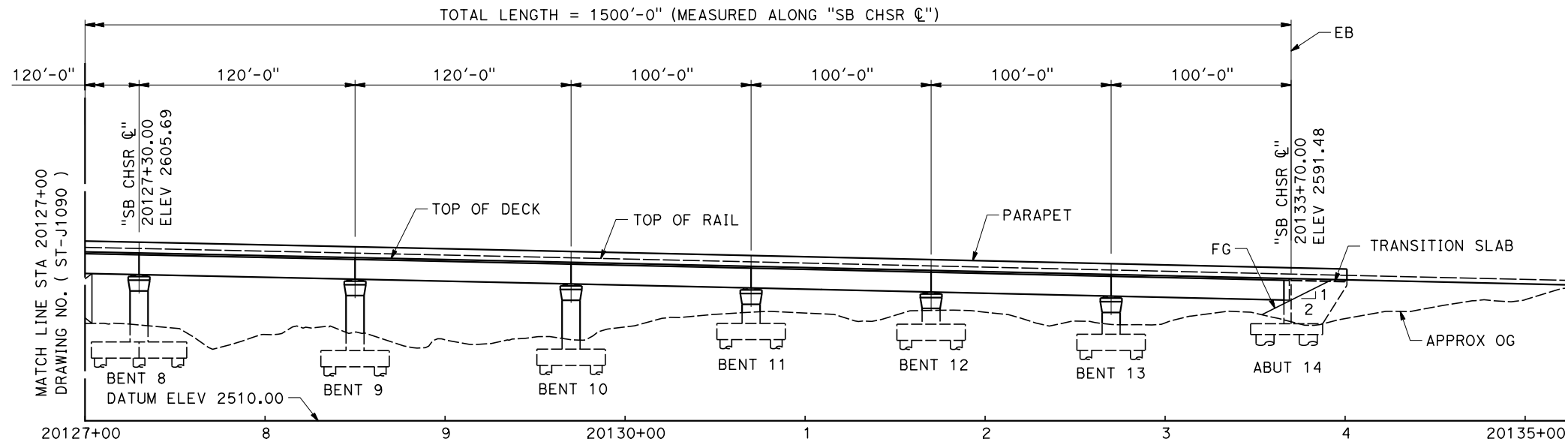
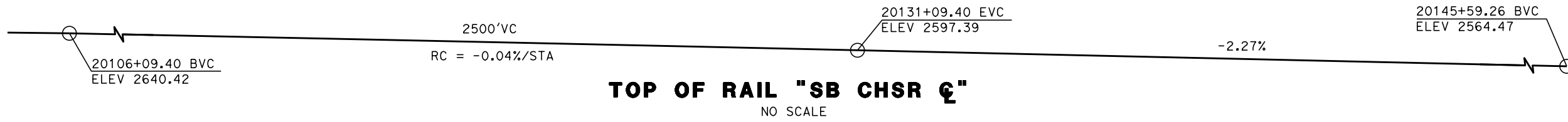
**RECORD
PEPD
SUBMITTAL**

**NOT FOR
CONSTRUCTION**

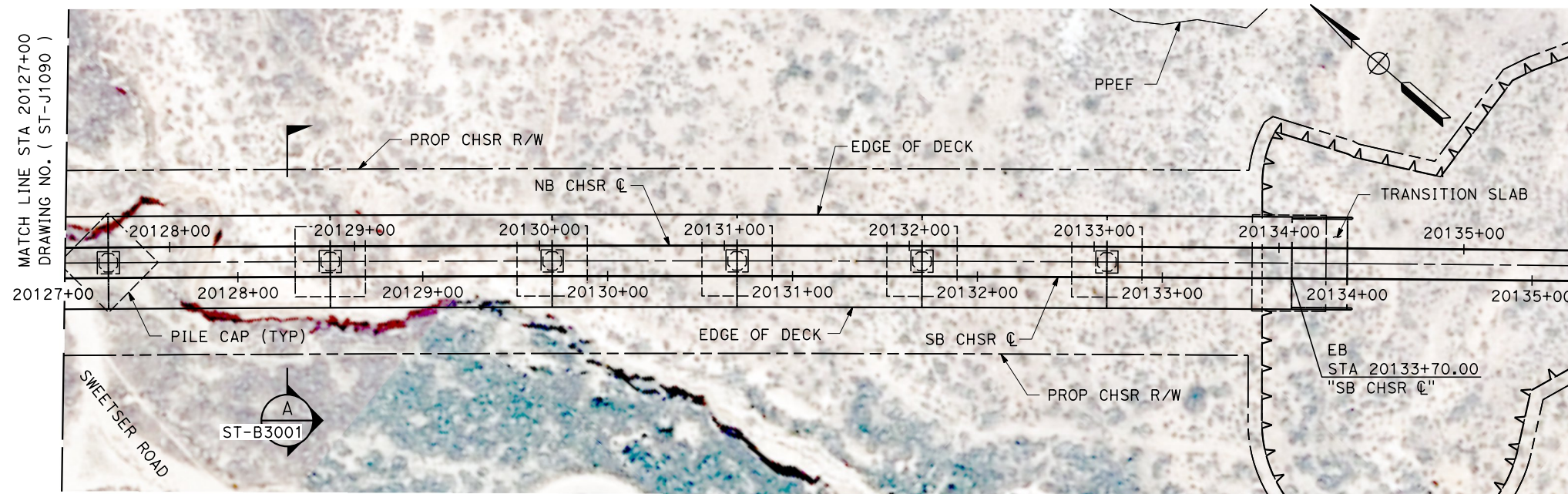


**CALIFORNIA HIGH-SPEED RAIL PROJECT
BAKERSFIELD TO PALMDALE**
ALTERNATIVES 1,2,3,5
TRACK STRUCTURES
SWEETSER ROAD VIADUCT
PLAN AND ELEVATION

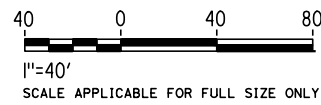
CONTRACT NO.
HSR13-44
DRAWING NO.
ST-J1090
SCALE
AS SHOWN
SHEET NO.



ELEVATION
SCALE 1"= 40'



PLAN
SCALE 1"= 40'



Projects\701206_00_CHSRBP\00_CADD\Sheet_Files\ST\BP-ST-J1090A.dgn

10/30/2017 11:25:13 AM

TYLIN\Wang

REV	DATE	BY	CHK	APP	DESCRIPTION

DESIGNED BY
ROBERT BARTON

DRAWN BY
YIHONG WANG

CHECKED BY
R. GOLCHOBIAN

IN CHARGE
STEVE SMITH

DATE
10/31/2017

**RECORD
PEPD
SUBMITTAL**

**NOT FOR
CONSTRUCTION**



CALIFORNIA HIGH-SPEED RAIL PROJECT
BAKERSFIELD TO PALMDALE

ALTERNATIVES 1,2,3,5
TRACK STRUCTURES
SWEETSER ROAD VIADUCT
PLAN AND ELEVATION

CONTRACT NO.
HSR13-44

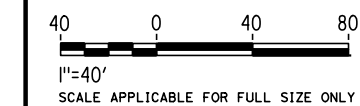
DRAWING NO.
ST-J1090A

SCALE
AS SHOWN

SHEET NO.

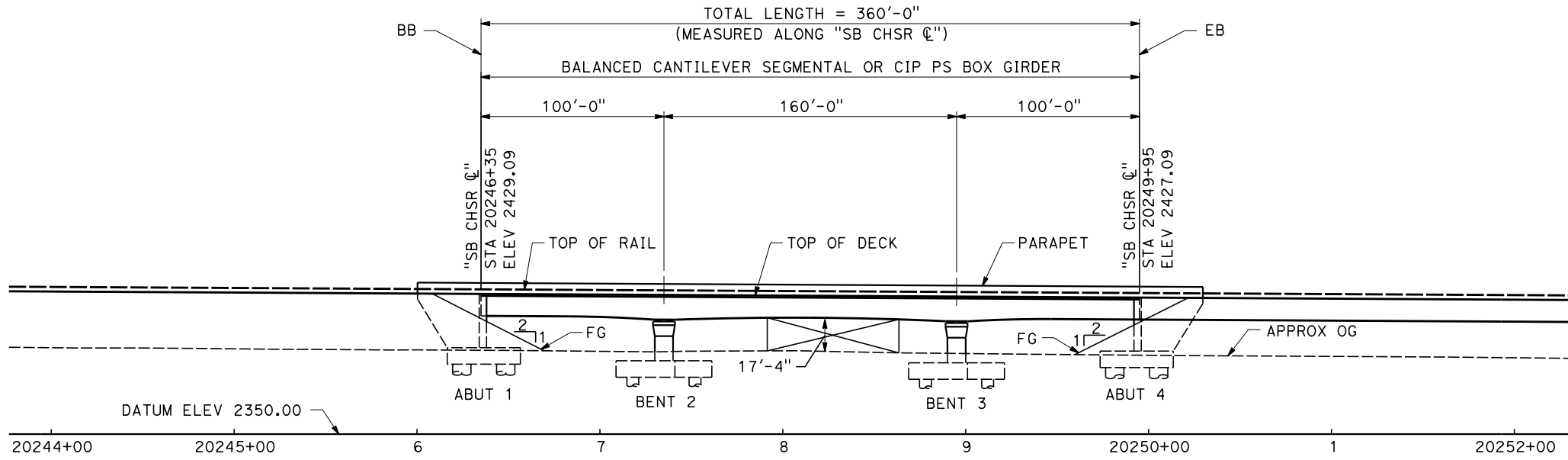
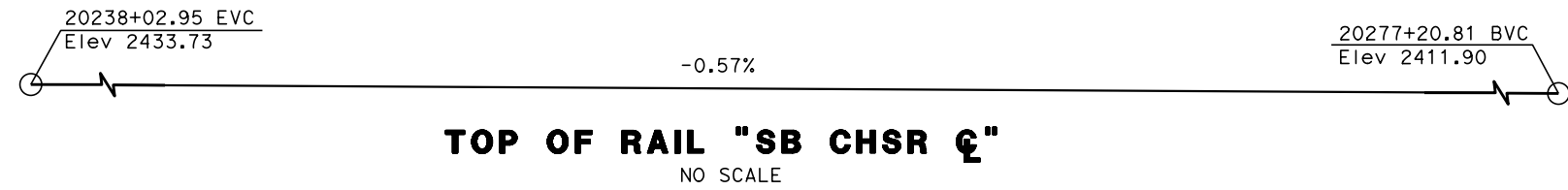
Projects\701206_00_CHSRBP\00_CADD\Sheet_Files\ST\BP-ST-J1091.dgn

10/30/2017 11:09:42 AM

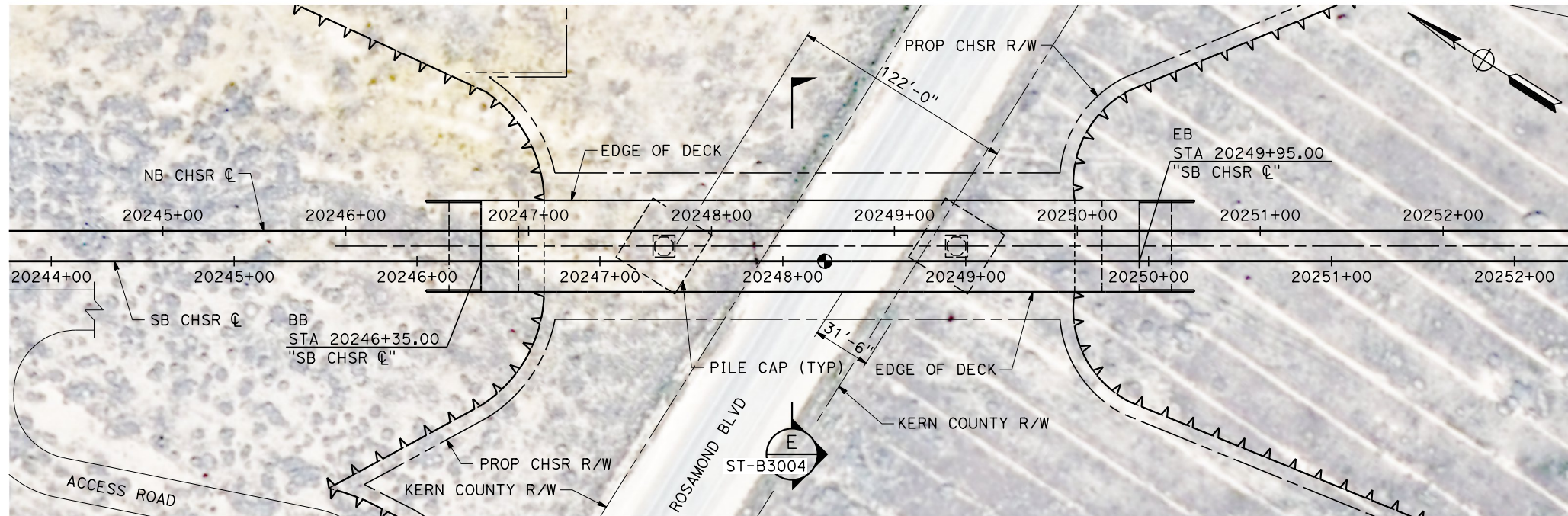


TYLIN\Wang

REV	DATE	BY	CHK	APP	DESCRIPTION



ELEVATION
SCALE 1" = 40'



PLAN
SCALE 1" = 40'

DESIGNED BY
ROBERT BARTON
DRAWN BY
YIHONG WANG
CHECKED BY
R. GOLCHOBIAN
IN CHARGE
STEVE SMITH
DATE
10/31/2017

**RECORD
PEPD
SUBMITTAL**

**NOT FOR
CONSTRUCTION**

TYLIN INTERNATIONAL



CALIFORNIA HIGH-SPEED RAIL PROJECT
BAKERSFIELD TO PALMDALE
ALTERNATIVES 1,2,3,5
TRACK STRUCTURES
ROSAMOND BLVD UNDERPASS
PLAN AND ELEVATION

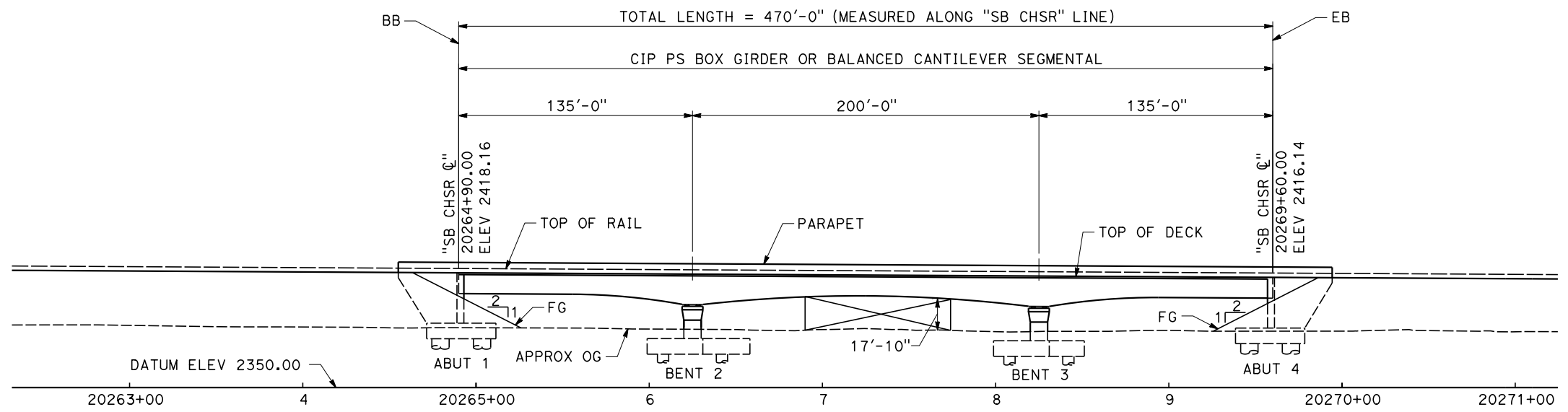
CONTRACT NO.
HSR13-44
DRAWING NO.
ST-J1091
SCALE
AS SHOWN
SHEET NO.

20238+02.95 EVC
Elev 2433.73

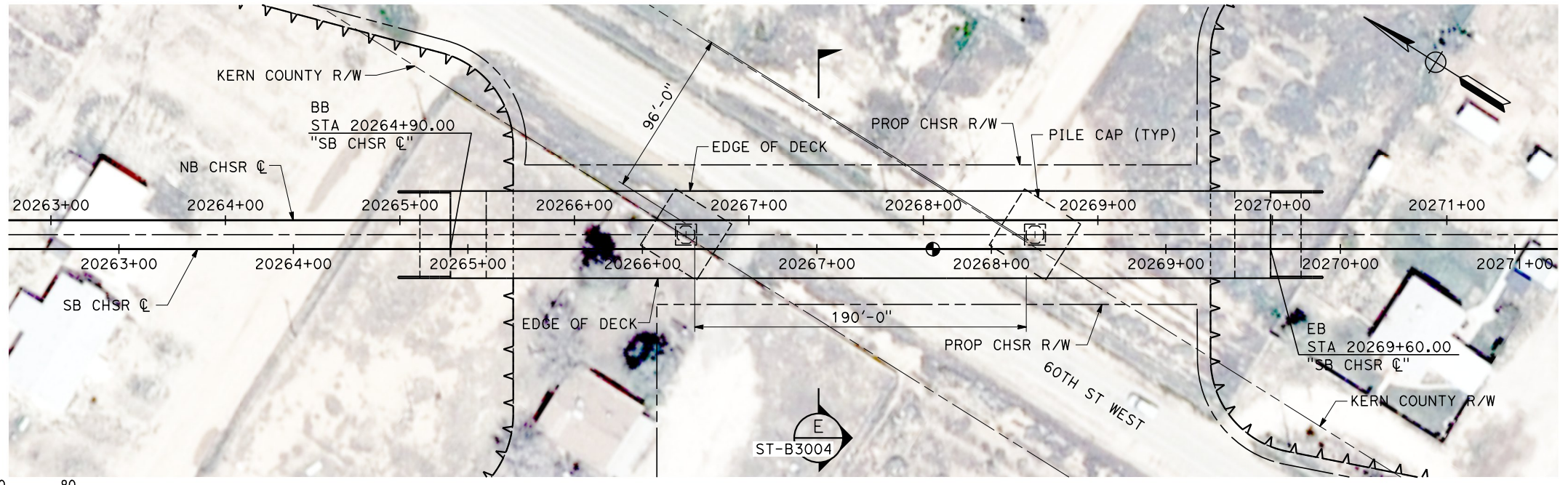
-0.56%

20277+20.81 BVC
Elev 2411.90

TOP OF RAIL "SB CHSR C"
NO SCALE



ELEVATION
SCALE 1" = 40'



PLAN
SCALE 1" = 40'



1"=40'
SCALE APPLICABLE FOR FULL SIZE ONLY

Projects\701206_00_CHSRBP\00_CADD\Sheet_Files\ST\BP-ST-J1092.dgn

10/30/2017 11:12:40 AM

TYLIN\Y.Wang

REV	DATE	BY	CHK	APP	DESCRIPTION

DESIGNED BY
ROBERT BARTON
DRAWN BY
YIHONG WANG
CHECKED BY
R. GOLCHOBIAN
IN CHARGE
STEVE SMITH
DATE
10/31/2017

**RECORD
PEPD
SUBMITTAL**

**NOT FOR
CONSTRUCTION**

TYLIN INTERNATIONAL



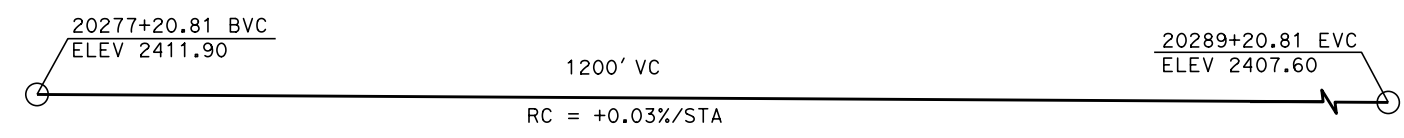
CALIFORNIA HIGH-SPEED RAIL PROJECT
BAKERSFIELD TO PALMDALE
ALTERNATIVES 1,2,3,5
TRACK STRUCTURES
60TH STREET UNDERPASS
PLAN AND ELEVATION

CONTRACT NO.
HSR13-44
DRAWING NO.
ST-J1092
SCALE
AS SHOWN
SHEET NO.

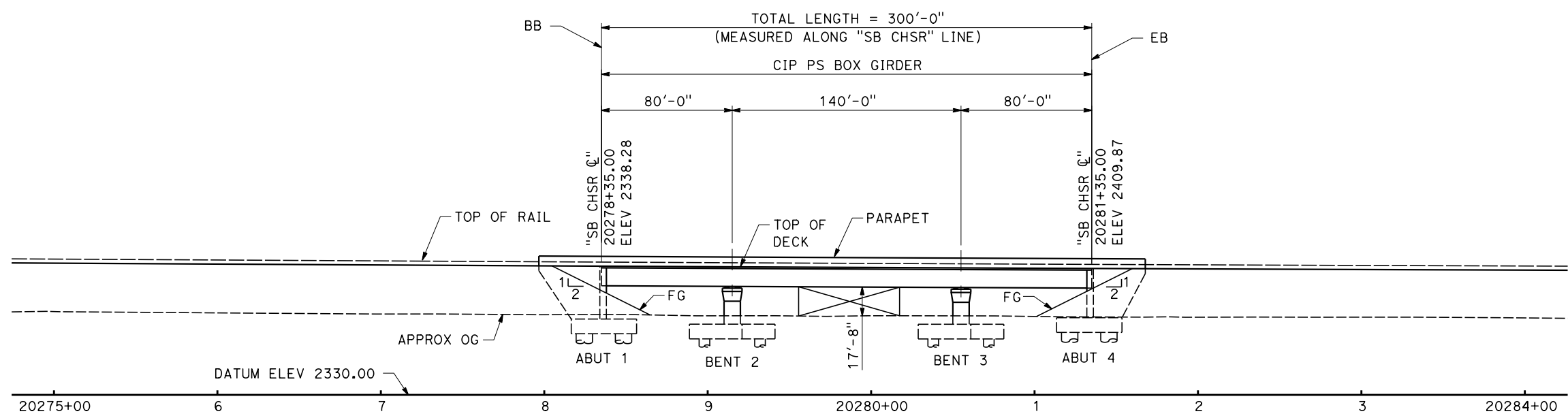
Projects\701206.00_CHSRBP\00_CADD\Sheet_Files\ST\BP-ST-J1093.dgn

10/30/2017 11:12:40 AM

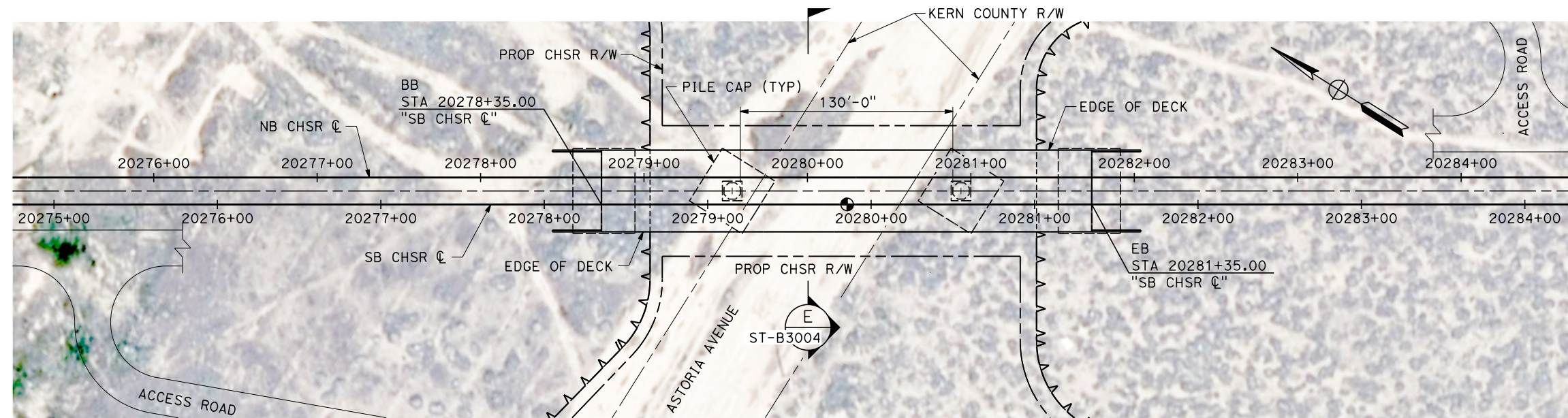
TYLIN\Wang



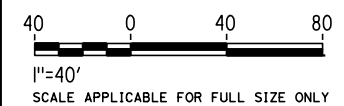
TOP OF RAIL "SB CHSR ☉"
NO SCALE



ELEVATION
SCALE 1" = 40'



PLAN
SCALE 1" = 40'

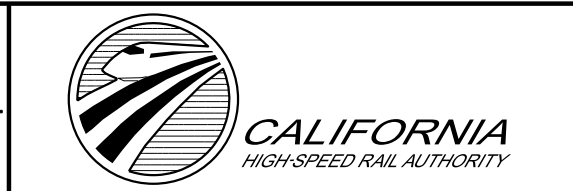


REV	DATE	BY	CHK	APP	DESCRIPTION

DESIGNED BY
ROBERT BARTON
DRAWN BY
YIHONG WANG
CHECKED BY
R. GOLCHOBIAN
IN CHARGE
STEVE SMITH
DATE
10/31/2017

**RECORD
PEPD
SUBMITTAL**

**NOT FOR
CONSTRUCTION**



CALIFORNIA HIGH-SPEED RAIL PROJECT
BAKERSFIELD TO PALMDALE
ALTERNATIVES 1,2,3,5
TRACK STRUCTURES
ASTORIA AVENUE UNDERPASS
PLAN AND ELEVATION

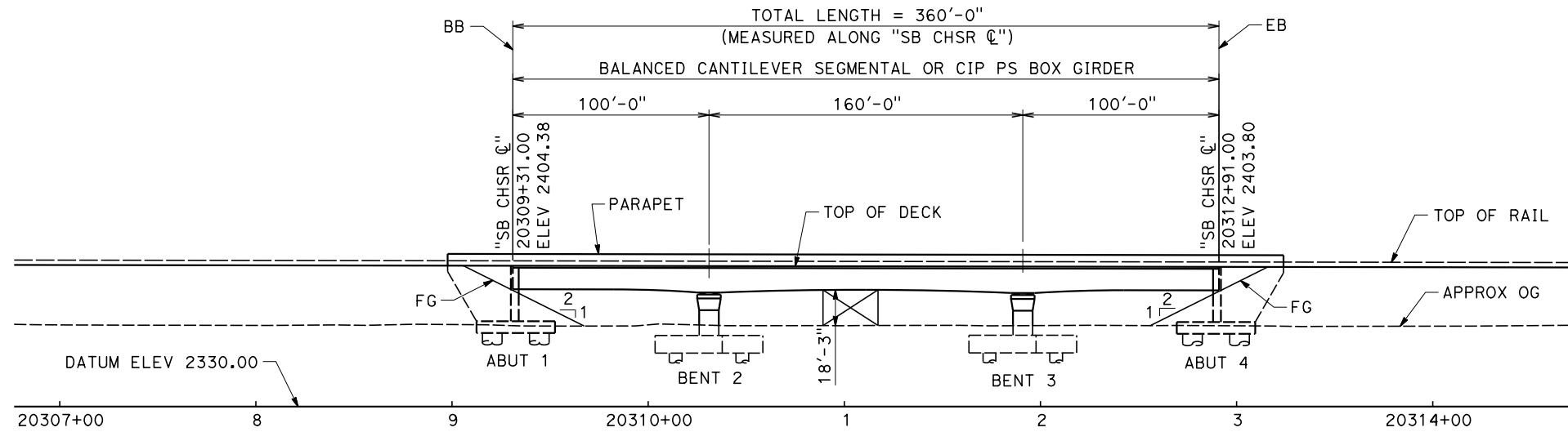
CONTRACT NO.
HSR13-44
DRAWING NO.
ST-J1093
SCALE
AS SHOWN
SHEET NO.

20634+69.00 BVC
ELEV 2352.35

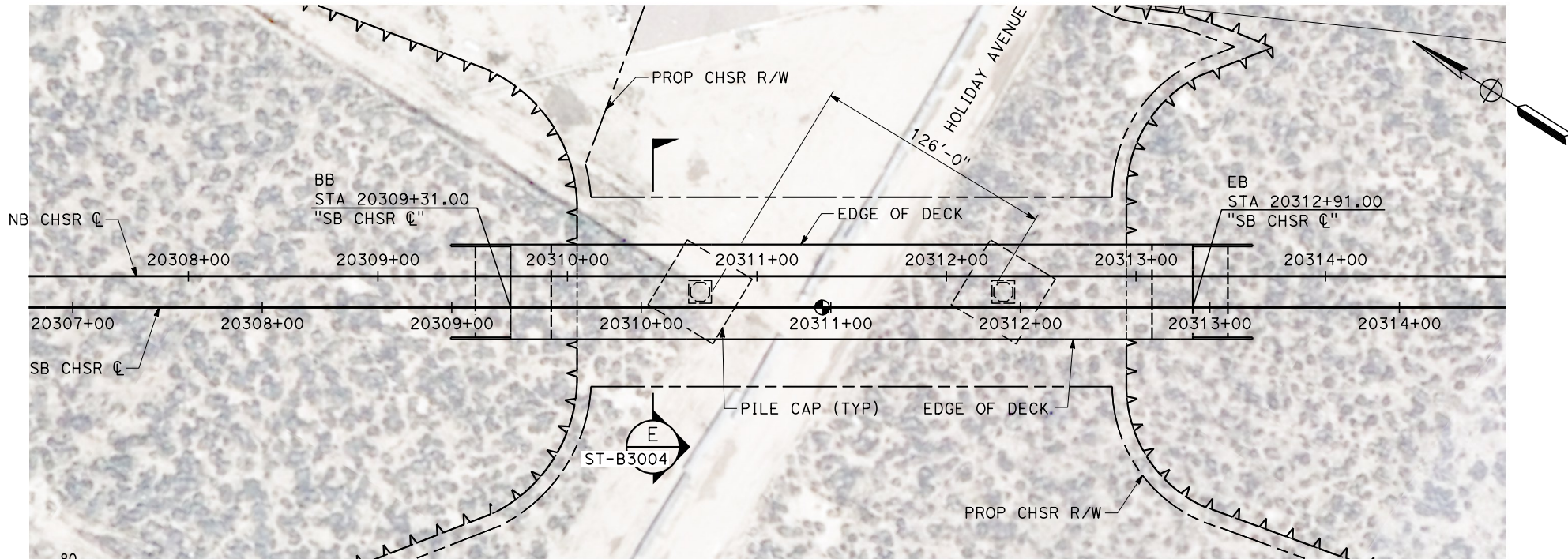
-0.16%

20289+20.81 EVC
ELEV 2407.60

TOP OF RAIL "SB CHSR ☉"
NO SCALE



ELEVATION
SCALE 1"= 40'



PLAN
SCALE 1"= 40'

40 0 40 80
1"=40'
SCALE APPLICABLE FOR FULL SIZE ONLY

Projects\701206_00_CHSRBP\00_CADD\Sheet Files\ST\BP-ST-J1094.dgn

10/30/2017 11:15:42 AM

TYLIN\Wang

REV	DATE	BY	CHK	APP	DESCRIPTION

DESIGNED BY
ROBERT BARTON
DRAWN BY
IVAN MARTIN
CHECKED BY
R. GOLCHOBIAN
IN CHARGE
STEVE SMITH
DATE
10/31/2017

**RECORD
PEPD
SUBMITTAL**

**NOT FOR
CONSTRUCTION**

TYLIN INTERNATIONAL



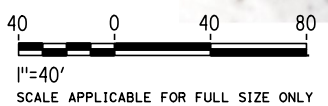
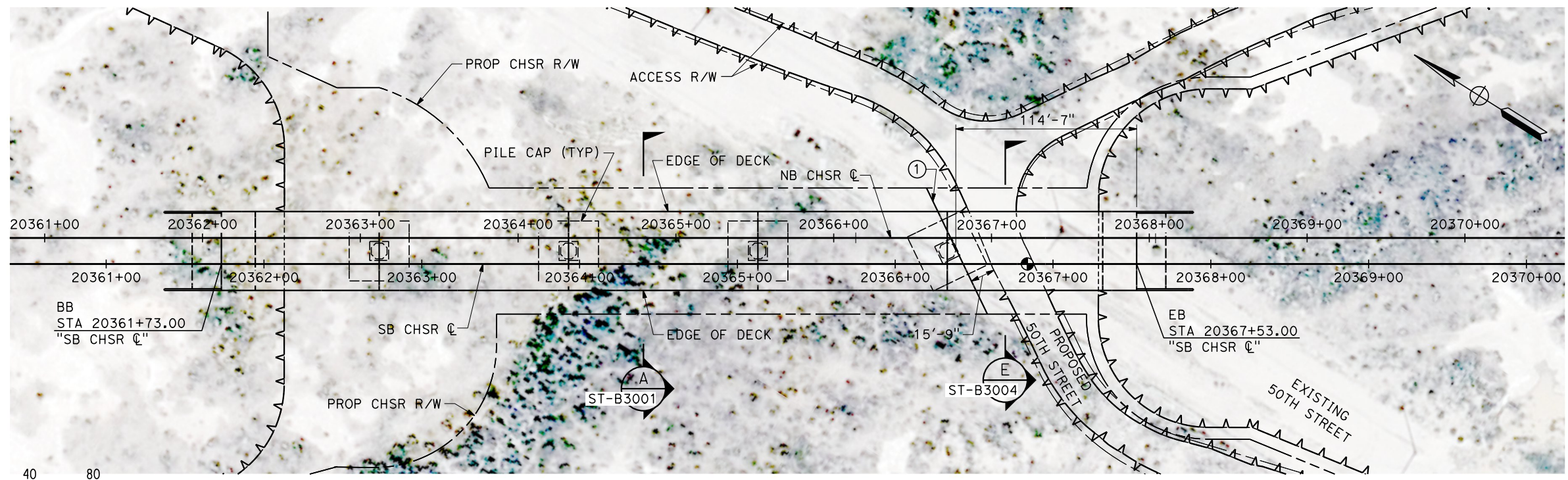
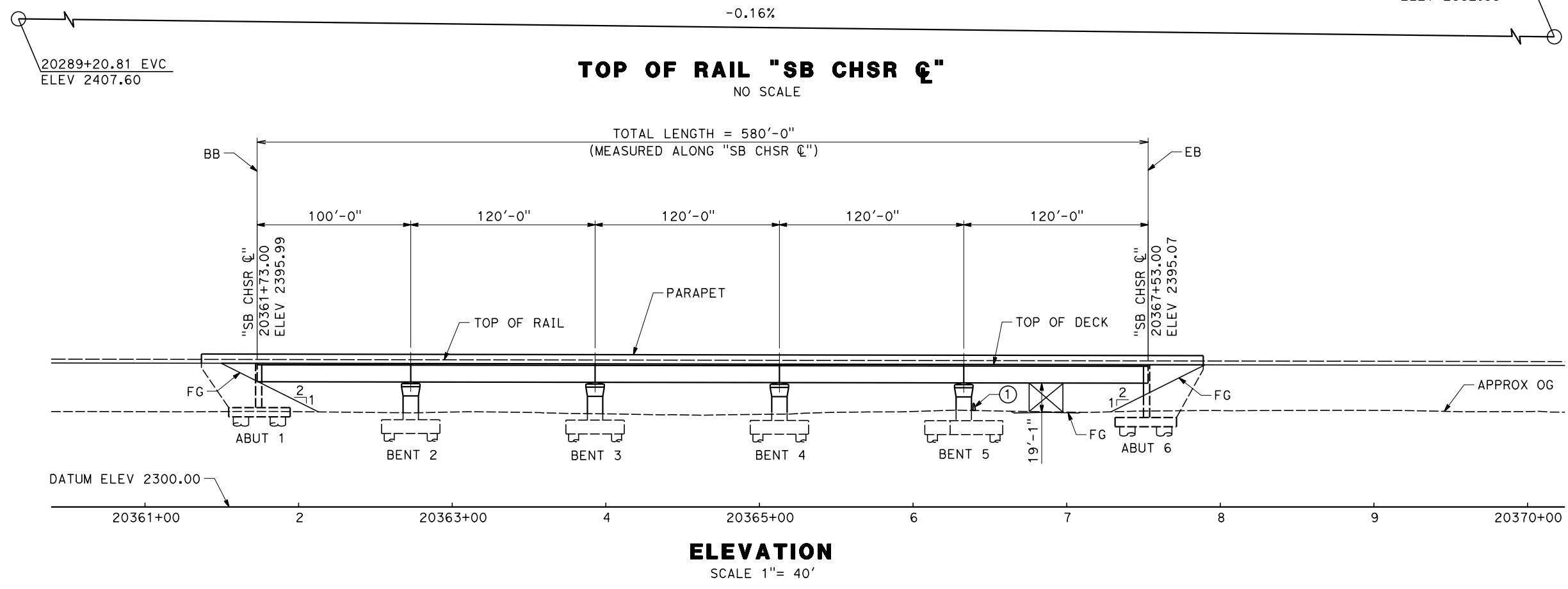
**CALIFORNIA HIGH-SPEED RAIL PROJECT
BAKERSFIELD TO PALMDALE**

ALTERNATIVES 1,2,3,5
TRACK STRUCTURES
HOLIDAY AVENUE UNDERPASS
PLAN AND ELEVATION

CONTRACT NO.
HSR13-44
DRAWING NO.
ST-J1094
SCALE
AS SHOWN
SHEET NO.

Projects\701206_00_CHSRBP\00_CADD\Sheet_Files\ST\BP-ST-J1095.dgn
10/30/2017 11:14:30 AM
TYLIN\Wang

20634+69.00 BVC
ELEV 2352.35



REV	DATE	BY	CHK	APP	DESCRIPTION

DESIGNED BY
ROBERT BARTON
DRAWN BY
IVAN MARTIN
CHECKED BY
R. GOLCHOBIAN
IN CHARGE
STEVE SMITH
DATE
10/31/2017

**RECORD
PEPD
SUBMITTAL**

**NOT FOR
CONSTRUCTION**

TYLIN INTERNATIONAL



**CALIFORNIA HIGH-SPEED RAIL PROJECT
BAKERSFIELD TO PALMDALE**

ALTERNATIVES 1,2,3,5
TRACK STRUCTURES
50TH STREET UNDERPASS
PLAN AND ELEVATION

CONTRACT NO.
HSR13-44
DRAWING NO.
ST-J1095
SCALE
AS SHOWN
SHEET NO.

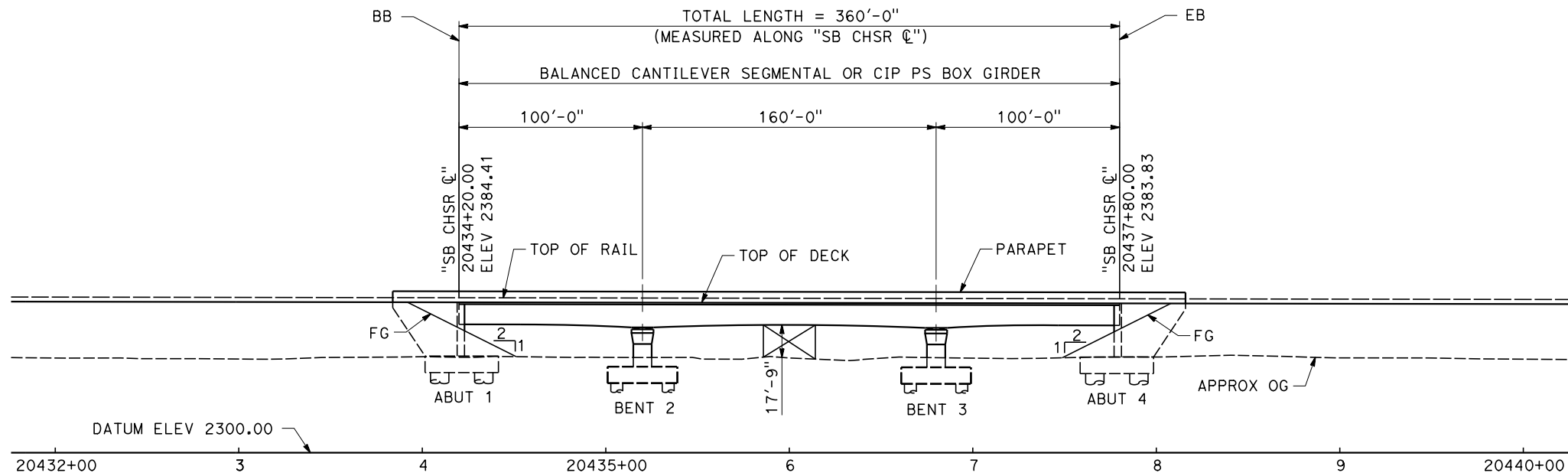
20289+20.81 EVC
Elev 2407.60

-0.16%

20634+69.00 BVC
Elev 2352.35

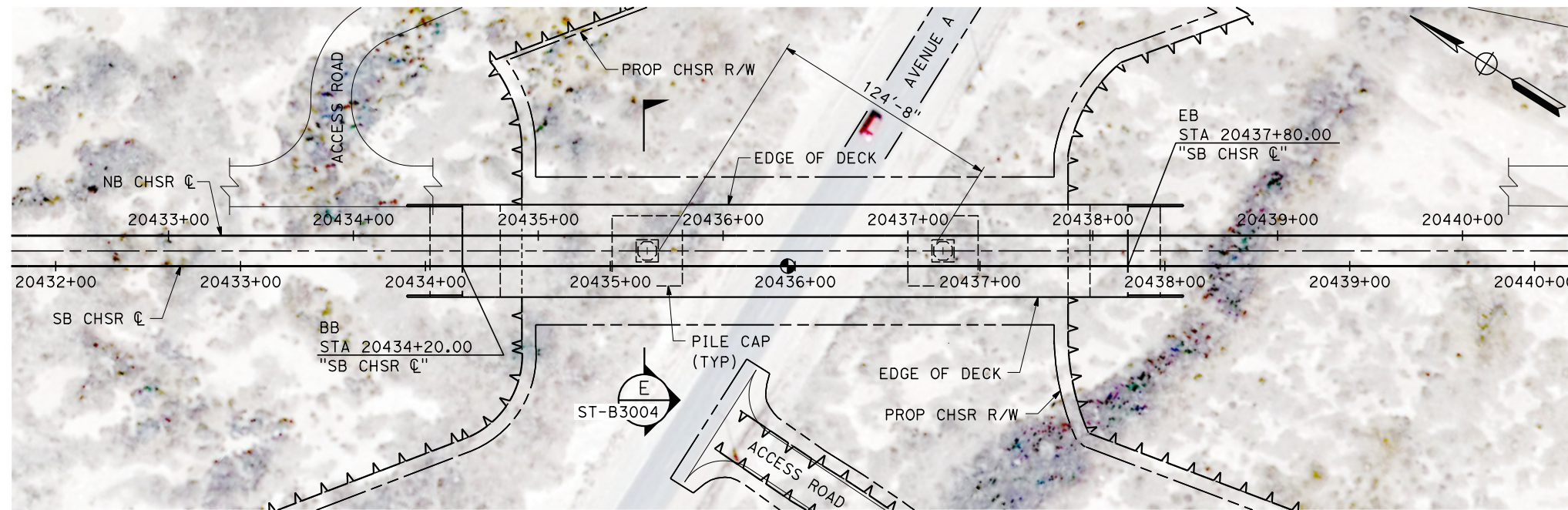
TOP OF RAIL "SB CHSR ☉"

NO SCALE



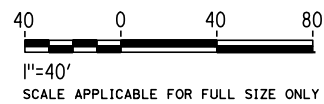
ELEVATION

SCALE 1" = 40'



PLAN

SCALE 1" = 40'



Projects\701206_00_CHSRBP\00_CADD\Sheet_Files\ST\BP-ST-J1096.dgn

10/30/2017 11:10:02 AM

TYLIN\Wang

REV	DATE	BY	CHK	APP	DESCRIPTION

DESIGNED BY
ROBERT BARTON
DRAWN BY
YIHONG WANG
CHECKED BY
R. GOLCHOBIAN
IN CHARGE
STEVE SMITH
DATE
10/31/2017

**RECORD
PEPD
SUBMITTAL**

**NOT FOR
CONSTRUCTION**

TYLIN INTERNATIONAL



**CALIFORNIA HIGH-SPEED RAIL PROJECT
BAKERSFIELD TO PALMDALE**

ALTERNATIVES 1,2,3,5
TRACK STRUCTURES
AVENUE A UNDERPASS
PLAN AND ELEVATION

CONTRACT NO.
HSR13-44
DRAWING NO.
ST-J1096
SCALE
AS SHOWN
SHEET NO.

20289+20.81 EVC
ELEV 2407.60

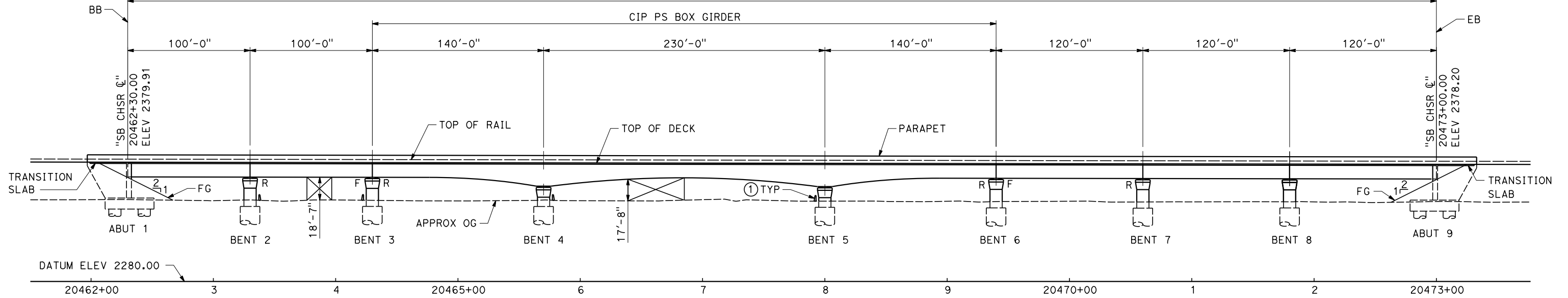
-0.16%

20634+69.00 BVC
ELEV 2352.35

TOP OF RAIL "SB CHSR C"

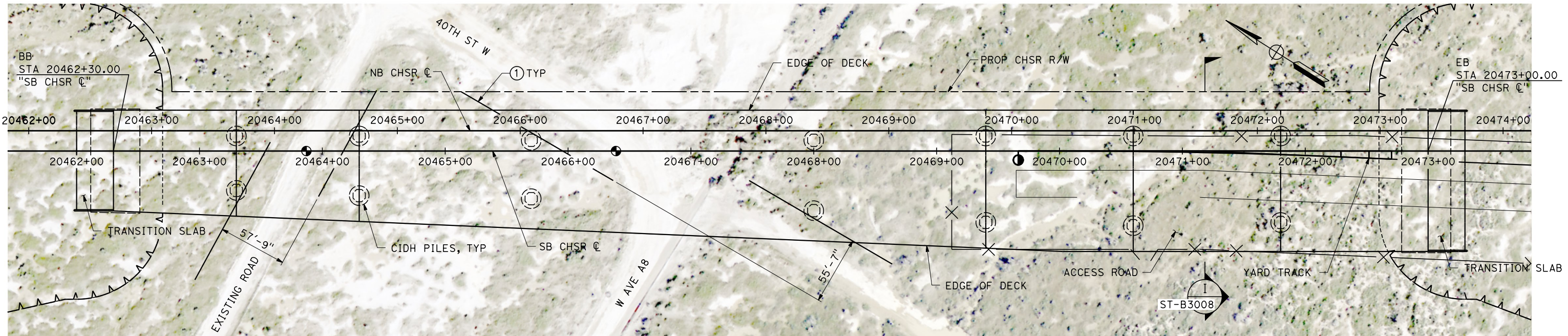
NO SCALE

TOTAL LENGTH = 1070'-0" (MEASURED ALONG "SB CHSR C")



ELEVATION

SCALE 1" = 40'



PLAN

SCALE 1" = 40'



1"=40'
SCALE APPLICABLE FOR FULL SIZE ONLY

Projects\701206_00_CHSRBP_00_CADD\Sheet_Files\ST\BP-ST-J1096A.dgn

10/30/2017 11:19:03 AM

TYLIN\Wang

REV	DATE	BY	CHK	APP	DESCRIPTION

DESIGNED BY
ROBERT BARTON
DRAWN BY
YIHONG WANG
CHECKED BY
R. GOLCHOBIAN
IN CHARGE
STEVE SMITH
DATE
10/31/2017

**DRAFT
PEPD
SUBMITTAL**

**NOT FOR
CONSTRUCTION**

TYLIN INTERNATIONAL



CALIFORNIA HIGH-SPEED RAIL PROJECT
BAKERSFIELD TO PALMDALE
ALTERNATIVES 1,2,3,5
TRACK STRUCTURES
40TH STREET - AVENUE A8 VIADUCT
PLAN AND ELEVATION

CONTRACT NO.
HSR13-44
DRAWING NO.
ST-J1096A
SCALE
AS SHOWN
SHEET NO.