

# CALIFORNIA HIGH-SPEED TRAIN COMPOSITE UTILITY PLANS

## RECORD SET PEPD DESIGN SUBMISSION

### **Bakersfield to Palmdale**

### Composite Utility Plans

October 2017



**GENERAL SHEETS**

DRAWING No.	DRAWING DESCRIPTION	SHEET No.
	COVER SHEET	
UT-B0001	INDEX OF DRAWING (SHEET 1 OF 4)	
UT-B0002	INDEX OF DRAWING (SHEET 2 OF 4)	
UT-B0003	INDEX OF DRAWING (SHEET 3 OF 4)	
UT-B0004	INDEX OF DRAWING (SHEET 4 OF 4)	
UT-B0005	ABBREVIATIONS AND LEGEND	
UT-B0006	GENERAL NOTES AND UTILITY OWNERS	
UT-B0007	UTILITY CROSSING DETAIL	
UT-B0008	COMPOSITE UTILITY PLAN - ALT1 KEY MAP (SHEET 1 OF 7)	
UT-B0009	COMPOSITE UTILITY PLAN - ALT1 KEY MAP (SHEET 2 OF 7)	
UT-B0010	COMPOSITE UTILITY PLAN - ALT1 KEY MAP (SHEET 3 OF 7)	
UT-B0011	COMPOSITE UTILITY PLAN - ALT1 KEY MAP (SHEET 4 OF 7)	
UT-B0012	COMPOSITE UTILITY PLAN - ALT1 KEY MAP (SHEET 5 OF 7)	
UT-B0013	COMPOSITE UTILITY PLAN - ALT1 KEY MAP (SHEET 6 OF 7)	
UT-B0014	COMPOSITE UTILITY PLAN - ALT1 KEY MAP (SHEET 7 OF 7)	
UT-B0015	COMPOSITE UTILITY PLAN - ALT2 KEY MAP (SHEET 1 OF 7)	
UT-B0016	COMPOSITE UTILITY PLAN - ALT2 KEY MAP (SHEET 2 OF 7)	
UT-B0017	COMPOSITE UTILITY PLAN - ALT2 KEY MAP (SHEET 3 OF 7)	
UT-B0018	COMPOSITE UTILITY PLAN - ALT2 KEY MAP (SHEET 4 OF 7)	
UT-B0019	COMPOSITE UTILITY PLAN - ALT2 KEY MAP (SHEET 5 OF 7)	
UT-B0020	COMPOSITE UTILITY PLAN - ALT2 KEY MAP (SHEET 6 OF 7)	
UT-B0021	COMPOSITE UTILITY PLAN - ALT2 KEY MAP (SHEET 7 OF 7)	
UT-B0022	COMPOSITE UTILITY PLAN - ALT3 KEY MAP (SHEET 1 OF 7)	
UT-B0023	COMPOSITE UTILITY PLAN - ALT3 KEY MAP (SHEET 2 OF 7)	
UT-B0024	COMPOSITE UTILITY PLAN - ALT3 KEY MAP (SHEET 3 OF 7)	
UT-B0025	COMPOSITE UTILITY PLAN - ALT3 KEY MAP (SHEET 4 OF 7)	
UT-B0026	COMPOSITE UTILITY PLAN - ALT3 KEY MAP (SHEET 5 OF 7)	
UT-B0027	COMPOSITE UTILITY PLAN - ALT3 KEY MAP (SHEET 6 OF 7)	
UT-B0028	COMPOSITE UTILITY PLAN - ALT3 KEY MAP (SHEET 7 OF 7)	
UT-B0029	COMPOSITE UTILITY PLAN - ALT5 KEY MAP (SHEET 1 OF 7)	
UT-B0030	COMPOSITE UTILITY PLAN - ALT5 KEY MAP (SHEET 2 OF 7)	
UT-B0031	COMPOSITE UTILITY PLAN - ALT5 KEY MAP (SHEET 3 OF 7)	
UT-B0032	COMPOSITE UTILITY PLAN - ALT5 KEY MAP (SHEET 4 OF 7)	
UT-B0033	COMPOSITE UTILITY PLAN - ALT5 KEY MAP (SHEET 5 OF 7)	
UT-B0034	COMPOSITE UTILITY PLAN - ALT5 KEY MAP (SHEET 6 OF 7)	
UT-B0035	COMPOSITE UTILITY PLAN - ALT5 KEY MAP (SHEET 7 OF 7)	

**ALTERNATIVE 1**

DRAWING No.	DRAWING DESCRIPTION	SHEET No.
UT-C4001	ALTERNATIVE 1,3,5 - COMPOSITE UTILITY PLAN - STA 17285+00 TO 17310+00	
UT-C4002	ALTERNATIVE 1,3,5 - COMPOSITE UTILITY PLAN - STA 17310+00 TO 17335+00	
UT-C4003	ALTERNATIVE 1,3,5 - COMPOSITE UTILITY PLAN - STA 17335+00 TO 17360+00	
UT-C4004	ALTERNATIVE 1,3,5 - COMPOSITE UTILITY PLAN - STA 17360+00 TO 17385+00	
UT-C4005	ALTERNATIVE 1,3,5 - COMPOSITE UTILITY PLAN - STA 17385+00 TO 17410+00	
UT-C4006	ALTERNATIVE 1,3,5 - COMPOSITE UTILITY PLAN - STA 17410+00 TO 17435+00	
UT-C4007	ALTERNATIVE 1,3,5 - COMPOSITE UTILITY PLAN - STA 17435+00 TO 17460+00	
UT-C4008	ALTERNATIVE 1,3,5 - COMPOSITE UTILITY PLAN - STA 17460+00 TO 17485+00	
UT-C4009	ALTERNATIVE 1,3,5 - COMPOSITE UTILITY PLAN - STA 17485+00 TO 17510+00	
UT-C4010	ALTERNATIVE 1,3,5 - COMPOSITE UTILITY PLAN - STA 17510+00 TO 17535+00	
UT-C4011	ALTERNATIVE 1,3,5 - COMPOSITE UTILITY PLAN - STA 17535+00 TO 17560+00	
UT-C4012	ALTERNATIVE 1,3,5 - COMPOSITE UTILITY PLAN - STA 17560+00 TO 17585+00	
UT-C4013	ALTERNATIVE 1,3,5 - COMPOSITE UTILITY PLAN - STA 17585+00 TO 17610+00	
UT-C4014	ALTERNATIVE 1,3,5 - COMPOSITE UTILITY PLAN - STA 17610+00 TO 17635+00	
UT-C4015	ALTERNATIVE 1,3,5 - COMPOSITE UTILITY PLAN - STA 17635+00 TO 17660+00	
UT-C4016	ALTERNATIVE 1,3,5 - COMPOSITE UTILITY PLAN - STA 17660+00 TO 17685+00	
UT-C4017	ALTERNATIVE 1,3,5 - COMPOSITE UTILITY PLAN - STA 17685+00 TO 17710+00	

**ALTERNATIVE 1 CONTINUED**

DRAWING No.	DRAWING DESCRIPTION	SHEET No.
UT-C4018	ALTERNATIVE 1,3,5 - COMPOSITE UTILITY PLAN - STA 17710+00 TO 17735+00	
UT-C4019	ALTERNATIVE 1,3,5 - COMPOSITE UTILITY PLAN - STA 17735+00 TO 17760+00	
UT-C4020	ALTERNATIVE 1,3,5 - COMPOSITE UTILITY PLAN - STA 17760+00 TO 17785+00	
UT-C4021	ALTERNATIVE 1,3,5 - COMPOSITE UTILITY PLAN - STA 17785+00 TO 17810+00	
UT-C4022	ALTERNATIVE 1,3,5 - COMPOSITE UTILITY PLAN - STA 17810+00 TO 17835+00	
UT-C4023	ALTERNATIVE 1,3,5 - COMPOSITE UTILITY PLAN - STA 17835+00 TO 17860+00	
UT-C4024	ALTERNATIVE 1,3,5 - COMPOSITE UTILITY PLAN - STA 17860+00 TO 17885+00	
UT-C4025	ALTERNATIVE 1,3,5 - COMPOSITE UTILITY PLAN - STA 17885+00 TO 17910+00	
UT-C4026	ALTERNATIVE 1,2,3,5 - COMPOSITE UTILITY PLAN - STA 17910+00 TO 17935+00	
UT-C4027	ALTERNATIVE 1,2,3,5 - COMPOSITE UTILITY PLAN - STA 17935+00 TO 17960+00	
UT-C4028	ALTERNATIVE 1,2,3,5 - COMPOSITE UTILITY PLAN - STA 17960+00 TO 17985+00	
UT-C4029	ALTERNATIVE 1,2,3,5 - COMPOSITE UTILITY PLAN - STA 17985+00 TO 18010+00	
UT-C4030	ALTERNATIVE 1,2,3,5 - COMPOSITE UTILITY PLAN - STA 18010+00 TO 18035+00	
UT-C4031	ALTERNATIVE 1,2,3,5 - COMPOSITE UTILITY PLAN - STA 18035+00 TO 18060+00	
UT-C4032	ALTERNATIVE 1,2,3,5 - COMPOSITE UTILITY PLAN - STA 18060+00 TO 18085+00	
UT-C4033	ALTERNATIVE 1,2,3,5 - COMPOSITE UTILITY PLAN - STA 18085+00 TO 18110+00	
UT-C4034	ALTERNATIVE 1,2,3,5 - COMPOSITE UTILITY PLAN - STA 18110+00 TO 18135+00	
UT-C4035	ALTERNATIVE 1,2,3,5 - COMPOSITE UTILITY PLAN - STA 18135+00 TO 18160+00	
UT-C4036	ALTERNATIVE 1,2,3,5 - COMPOSITE UTILITY PLAN - STA 18160+00 TO 18185+00	
UT-C4037	ALTERNATIVE 1,2,3,5 - COMPOSITE UTILITY PLAN - STA 18185+00 TO 18210+00	
UT-C4038	ALTERNATIVE 1,2,3,5 - COMPOSITE UTILITY PLAN - STA 18210+00 TO 18235+00	
UT-C4039	ALTERNATIVE 1,2,3,5 - COMPOSITE UTILITY PLAN - STA 18235+00 TO 18260+00	
UT-C4040	ALTERNATIVE 1,2,3,5 - COMPOSITE UTILITY PLAN - STA 18260+00 TO 18285+00	
UT-C4041	ALTERNATIVE 1,2,3,5 - COMPOSITE UTILITY PLAN - STA 18285+00 TO 18310+00	
UT-C4042	ALTERNATIVE 1,2,3,5 - COMPOSITE UTILITY PLAN - STA 18310+00 TO 18335+00	
UT-C4043	ALTERNATIVE 1,2,3,5 - COMPOSITE UTILITY PLAN - STA 18335+00 TO 18360+00	
UT-C4044	ALTERNATIVE 1,2,3,5 - COMPOSITE UTILITY PLAN - STA 18360+00 TO 18385+00	
UT-C4045	ALTERNATIVE 1,2,3,5 - COMPOSITE UTILITY PLAN - STA 18385+00 TO 18410+00	
UT-C4046	ALTERNATIVE 1,2,3,5 - COMPOSITE UTILITY PLAN - STA 18410+00 TO 18435+00	
UT-C4047	ALTERNATIVE 1,2,3,5 - COMPOSITE UTILITY PLAN - STA 18435+00 TO 18460+00	
UT-C4048	ALTERNATIVE 1,2,3,5 - COMPOSITE UTILITY PLAN - STA 18460+00 TO 18485+00	
UT-C4049	ALTERNATIVE 1,2,3,5 - COMPOSITE UTILITY PLAN - STA 18485+00 TO 18510+00	
UT-C4050	ALTERNATIVE 1,2,3,5 - COMPOSITE UTILITY PLAN - STA 18510+00 TO 18535+00	
UT-C4051	ALTERNATIVE 1,2,3,5 - COMPOSITE UTILITY PLAN - STA 18535+00 TO 18560+00	
UT-C4052	ALTERNATIVE 1,2,3,5 - COMPOSITE UTILITY PLAN - STA 18560+00 TO 18585+00	
UT-C4053	ALTERNATIVE 1,2,3,5 - COMPOSITE UTILITY PLAN - STA 18585+00 TO 18610+00	
UT-C4054	ALTERNATIVE 1,2,3,5 - COMPOSITE UTILITY PLAN - STA 18610+00 TO 18635+00	
UT-C4055	ALTERNATIVE 1,2,3,5 - COMPOSITE UTILITY PLAN - STA 18635+00 TO 18660+00	
UT-C4056	ALTERNATIVE 1,2,3,5 - COMPOSITE UTILITY PLAN - STA 18660+00 TO 18685+00	
UT-C4057	ALTERNATIVE 1,2,3,5 - COMPOSITE UTILITY PLAN - STA 18685+00 TO 18710+00	
UT-C4058	ALTERNATIVE 1,2,3,5 - COMPOSITE UTILITY PLAN - STA 18710+00 TO 18735+00	
UT-C4059	ALTERNATIVE 1,2,3,5 - COMPOSITE UTILITY PLAN - STA 18735+00 TO 18760+00	
UT-C4060	ALTERNATIVE 1,2,3,5 - COMPOSITE UTILITY PLAN - STA 18760+00 TO 18785+00	
UT-C4061	ALTERNATIVE 1,2,3,5 - COMPOSITE UTILITY PLAN - STA 18785+00 TO 18810+00	
UT-C4062	ALTERNATIVE 1,2,3,5 - COMPOSITE UTILITY PLAN - STA 18810+00 TO 18835+00	
UT-C4063	ALTERNATIVE 1,2,3,5 - COMPOSITE UTILITY PLAN - STA 18835+00 TO 18860+00	
UT-C4064	ALTERNATIVE 1,2,3,5 - COMPOSITE UTILITY PLAN - STA 18860+00 TO 18885+00	
UT-C4065	ALTERNATIVE 1,2,3,5 - COMPOSITE UTILITY PLAN - STA 18885+00 TO 18910+00	
UT-C4066	ALTERNATIVE 1,2,3,5 - COMPOSITE UTILITY PLAN - STA 18910+00 TO 18935+00	
UT-C4067	ALTERNATIVE 1,2,3,5 - COMPOSITE UTILITY PLAN - STA 18935+00 TO 18960+00	
UT-C4068	ALTERNATIVE 1,2,3,5 - COMPOSITE UTILITY PLAN - STA 18960+00 TO 18985+00	
UT-C4069	ALTERNATIVE 1,2,3,5 - COMPOSITE UTILITY PLAN - STA 18985+00 TO 19010+00	
UT-C4070	ALTERNATIVE 1,2,3,5 - COMPOSITE UTILITY PLAN - STA 19010+00 TO 19035+00	
UT-C4071	ALTERNATIVE 1,2,3,5 - COMPOSITE UTILITY PLAN - STA 19035+00 TO 19060+00	
UT-C4072	ALTERNATIVE 1,2,3,5 - COMPOSITE UTILITY PLAN - STA 19060+00 TO 19085+00	
UT-C4073	ALTERNATIVE 1,2,3,5 - COMPOSITE UTILITY PLAN - STA 19085+00 TO 19110+00	
UT-C4074	ALTERNATIVE 1,2,3,5 - COMPOSITE UTILITY PLAN - STA 19110+00 TO 19135+00	
UT-C4075	ALTERNATIVE 1,2,3,5 - COMPOSITE UTILITY PLAN - STA 19135+00 TO 19160+00	

Projects\701206\_00\_CHSRBP\00\_CADD\Sheet Files\UT\_BP-UT-B0001.dgn

11/7/2017 7:48:15 PM

OIC:Adodge

REV	DATE	BY	CHK	APP	DESCRIPTION

DESIGNED BY  
**D. CONYERS**

DRAWN BY  
**H. TU**

CHECKED BY  
**D. ARUTA**

IN CHARGE  
**S. SMITH**

DATE  
**10/31/2017**

**RECORD  
PEPD  
SUBMITTAL**

**NOT FOR  
CONSTRUCTION**



**CALIFORNIA HIGH-SPEED RAIL PROJECT  
BAKERSFIELD TO PALMDALE**

GENERAL  
INDEX SHEET  
SHEET 1 OF 4

CONTRACT NO.  
**HSR13-44**

DRAWING NO.  
**UT-B0001**

SCALE  
**NTS**

SHEET NO.





**ALTERNATIVE 1 CONTINUED**

DRAWING No.	DRAWING DESCRIPTION	SHEET No.
UT-C4233	ALTERNATIVE 1,2,3 - COMPOSITE UTILITY PLAN - STA 21110+00 TO 21135+00	
UT-C4234	ALTERNATIVE 1,2,3 - COMPOSITE UTILITY PLAN - STA 21110+00 TO 21135+00	
UT-C4235	ALTERNATIVE 1,2,3 - COMPOSITE UTILITY PLAN - STA 21110+00 TO 21135+00	
UT-C4236	ALTERNATIVE 1,2,3 - COMPOSITE UTILITY PLAN - STA 21110+00 TO 21135+00	
UT-C4237	ALTERNATIVE 1,2,3 - COMPOSITE UTILITY PLAN - STA 21110+00 TO 21135+00	
UT-C4238	ALTERNATIVE 1,2,3 - COMPOSITE UTILITY PLAN - STA 21135+00 TO 21160+00	
UT-C4239	ALTERNATIVE 1,2,3 - COMPOSITE UTILITY PLAN - STA 21135+00 TO 21160+00	
UT-C4240	ALTERNATIVE 1,2,3 - COMPOSITE UTILITY PLAN - STA 21160+00 TO 21185+00	
UT-C4241	ALTERNATIVE 1,2,3 - COMPOSITE UTILITY PLAN - STA 21160+00 TO 21185+00	
UT-C4242	ALTERNATIVE 1,2,3 - COMPOSITE UTILITY PLAN - STA 21185+00 TO 21210+00	
UT-C4243	ALTERNATIVE 1,2,3 - COMPOSITE UTILITY PLAN - STA 21185+00 TO 21210+00	
UT-C4244	ALTERNATIVE 1,2,3 - COMPOSITE UTILITY PLAN - STA 21210+00 TO 21235+00	
UT-C4251	ALTERNATIVE 1,3,5 - COMPOSITE UTILITY PLAN - STA 17360+00 TO 17385+00	
UT-C4252	ALTERNATIVE 1,3,5 - COMPOSITE UTILITY PLAN - STA 17385+00 TO 17410+00	
UT-C4253	ALTERNATIVE 1,3,5 - COMPOSITE UTILITY PLAN - STA 17385+00 TO 17410+00	
UT-C4254	ALTERNATIVE 1,3,5 - COMPOSITE UTILITY PLAN - STA 17510+00 TO 17535+00	
UT-C4255	ALTERNATIVE 1,3,5 - COMPOSITE UTILITY PLAN - STA 17560+00 TO 17585+00	
UT-C4256	ALTERNATIVE 1,3,5 - COMPOSITE UTILITY PLAN - STA 17585+00 TO 17610+00	
UT-C4257	ALTERNATIVE 1,3,5 - COMPOSITE UTILITY PLAN - STA 17610+00 TO 17635+00	
UT-C4258	ALTERNATIVE 1,3,5 - COMPOSITE UTILITY PLAN - STA 17660+00 TO 17685+00	
UT-C4259	ALTERNATIVE 1,3,5 - COMPOSITE UTILITY PLAN - STA 17710+00 TO 17735+00	
UT-C4261	ALTERNATIVE 1,2,5 - COMPOSITE UTILITY PLAN - STA 19385+00 TO 19410+00	
UT-C4262	ALTERNATIVE 1,2,5 - COMPOSITE UTILITY PLAN - STA 19385+00 TO 19410+00	
UT-C4263	ALTERNATIVE 1,2,5 - COMPOSITE UTILITY PLAN - STA 19385+00 TO 19410+00	
UT-C4264	ALTERNATIVE 1,2,5 - COMPOSITE UTILITY PLAN - STA 19410+00 TO 19435+00	
UT-C4265	ALTERNATIVE 1,2,5 - COMPOSITE UTILITY PLAN - STA 19410+00 TO 19435+00	
UT-C4266	ALTERNATIVE 1,2,5 - COMPOSITE UTILITY PLAN - STA 19410+00 TO 19435+00	
UT-C4267	ALTERNATIVE 1,2,5 - COMPOSITE UTILITY PLAN - STA 19435+00 TO 19460+00	
UT-C4268	ALTERNATIVE 1,2,5 - COMPOSITE UTILITY PLAN - STA 19435+00 TO 19460+00	
UT-C4269	ALTERNATIVE 1,2,5 - COMPOSITE UTILITY PLAN - STA 19810+00 TO 19835+00	
UT-C4270	ALTERNATIVE 1,2,5 - COMPOSITE UTILITY PLAN - STA 19835+00 TO 19860+00	
UT-C4271	ALTERNATIVE 1,2,5 - COMPOSITE UTILITY PLAN - STA 19860+00 TO 19885+00	
UT-C4272	ALTERNATIVE 1,2,5 - COMPOSITE UTILITY PLAN - STA 19885+00 TO 19910+00	
UT-C4273	ALTERNATIVE 1,2,5 - COMPOSITE UTILITY PLAN - STA 19985+00 TO 20010+00	
UT-C4274	ALTERNATIVE 1,2,3,5 - COMPOSITE UTILITY PLAN - STA 20010+00 TO 20035+00	
UT-C4275	ALTERNATIVE 1,2,3,5 - COMPOSITE UTILITY PLAN - STA 20035+00 TO 20060+00	
UT-D1001	ALTERNATIVE 1,2,3 - PROPOSED SEWER PROFILE	
UT-D1002	ALTERNATIVE 1,2,3 - PROPOSED SEWER PROFILE	
UT-D1003	ALTERNATIVE 1,2,3 - PROPOSED SEWER PROFILE	
UT-D1004	ALTERNATIVE 1,2,3 - PROPOSED SEWER PROFILE	
UT-D1005	ALTERNATIVE 1,2,3 - PROPOSED SEWER PROFILE	
UT-D1006	ALTERNATIVE 1,2,3 - PROPOSED SEWER PROFILE	
UT-D1007	ALTERNATIVE 1,2,3 - PROPOSED SEWER PROFILE	
UT-D1008	ALTERNATIVE 1,2,3 - PROPOSED SEWER PROFILE	
UT-D1009	ALTERNATIVE 1,2,3 - PROPOSED SEWER PROFILE	
UT-D1010	ALTERNATIVE 1,2,3 - PROPOSED SEWER PROFILE	

**ALTERNATIVE 2**

DRAWING No.	DRAWING DESCRIPTION	SHEET No.
UT-C4301	ALTERNATIVE 2 - COMPOSITE UTILITY PLAN - STA 17285+00 TO 17310+00	
UT-C4302	ALTERNATIVE 2 - COMPOSITE UTILITY PLAN - STA 17310+00 TO 17335+00	
UT-C4303	ALTERNATIVE 2 - COMPOSITE UTILITY PLAN - STA 17335+00 TO 17360+00	
UT-C4304	ALTERNATIVE 2 - COMPOSITE UTILITY PLAN - STA 17360+00 TO 17385+00	
UT-C4305	ALTERNATIVE 2 - COMPOSITE UTILITY PLAN - STA 17385+00 TO 17410+00	
UT-C4306	ALTERNATIVE 2 - COMPOSITE UTILITY PLAN - STA 17410+00 TO 17435+00	
UT-C4307	ALTERNATIVE 2 - COMPOSITE UTILITY PLAN - STA 17435+00 TO 17460+00	
UT-C4308	ALTERNATIVE 2 - COMPOSITE UTILITY PLAN - STA 17460+00 TO 17485+00	
UT-C4309	ALTERNATIVE 2 - COMPOSITE UTILITY PLAN - STA 17485+00 TO 17510+00	
UT-C4310	ALTERNATIVE 2 - COMPOSITE UTILITY PLAN - STA 17510+00 TO 17535+00	

**ALTERNATIVE 2 CONTINUED**

DRAWING No.	DRAWING DESCRIPTION	SHEET No.
UT-C4311	ALTERNATIVE 2 - COMPOSITE UTILITY PLAN - STA 17535+00 TO 17560+00	
UT-C4312	ALTERNATIVE 2 - COMPOSITE UTILITY PLAN - STA 17560+00 TO 17585+00	
UT-C4313	ALTERNATIVE 2 - COMPOSITE UTILITY PLAN - STA 17585+00 TO 17610+00	
UT-C4314	ALTERNATIVE 2 - COMPOSITE UTILITY PLAN - STA 17610+00 TO 17635+00	
UT-C4315	ALTERNATIVE 2 - COMPOSITE UTILITY PLAN - STA 17635+00 TO 17660+00	
UT-C4316	ALTERNATIVE 2 - COMPOSITE UTILITY PLAN - STA 17660+00 TO 17685+00	
UT-C4317	ALTERNATIVE 2 - COMPOSITE UTILITY PLAN - STA 17685+00 TO 17710+00	
UT-C4318	ALTERNATIVE 2 - COMPOSITE UTILITY PLAN - STA 17710+00 TO 17735+00	
UT-C4319	ALTERNATIVE 2 - COMPOSITE UTILITY PLAN - STA 17735+00 TO 17760+00	
UT-C4320	ALTERNATIVE 2 - COMPOSITE UTILITY PLAN - STA 17760+00 TO 17785+00	
UT-C4321	ALTERNATIVE 2 - COMPOSITE UTILITY PLAN - STA 17785+00 TO 17810+00	
UT-C4322	ALTERNATIVE 2 - COMPOSITE UTILITY PLAN - STA 17810+00 TO 17835+00	
UT-C4323	ALTERNATIVE 2 - COMPOSITE UTILITY PLAN - STA 17835+00 TO 17860+00	
UT-C4324	ALTERNATIVE 2 - COMPOSITE UTILITY PLAN - STA 17860+00 TO 17885+00	
UT-C4325	ALTERNATIVE 2 - COMPOSITE UTILITY PLAN - STA 17885+00 TO 17908+22	
UT-C4331	ALTERNATIVE 2 - COMPOSITE UTILITY PLAN - STA 17360+00 TO 17385+00	
UT-C4332	ALTERNATIVE 2 - COMPOSITE UTILITY PLAN - STA 17385+00 TO 17410+00	
UT-C4333	ALTERNATIVE 2 - COMPOSITE UTILITY PLAN - STA 17385+00 TO 17410+00	

**ALTERNATIVE 3**

DRAWING No.	DRAWING DESCRIPTION	SHEET No.
UT-C4401	ALTERNATIVE 3 - COMPOSITE UTILITY PLAN - STA 19296+02 TO 19299+46	
UT-C4402	ALTERNATIVE 3 - COMPOSITE UTILITY PLAN - STA 19299+46 TO 19324+00	
UT-C4403	ALTERNATIVE 3 - COMPOSITE UTILITY PLAN - STA 19324+00 TO 19349+00	
UT-C4404	ALTERNATIVE 3 - COMPOSITE UTILITY PLAN - STA 19349+00 TO 19374+00	
UT-C4405	ALTERNATIVE 3 - COMPOSITE UTILITY PLAN - STA 19374+00 TO 19399+00	
UT-C4406	ALTERNATIVE 3 - COMPOSITE UTILITY PLAN - STA 19399+00 TO 19424+00	
UT-C4407	ALTERNATIVE 3 - COMPOSITE UTILITY PLAN - STA 19424+00 TO 19449+00	
UT-C4408	ALTERNATIVE 3 - COMPOSITE UTILITY PLAN - STA 19449+00 TO 19474+00	
UT-C4409	ALTERNATIVE 3 - COMPOSITE UTILITY PLAN - STA 19474+00 TO 19499+00	
UT-C4410	ALTERNATIVE 3 - COMPOSITE UTILITY PLAN - STA 19499+00 TO 19524+00	
UT-C4411	ALTERNATIVE 3 - COMPOSITE UTILITY PLAN - STA 19524+00 TO 19549+00	
UT-C4412	ALTERNATIVE 3 - COMPOSITE UTILITY PLAN - STA 19549+00 TO 19574+00	
UT-C4413	ALTERNATIVE 3 - COMPOSITE UTILITY PLAN - STA 19574+00 TO 19599+00	
UT-C4414	ALTERNATIVE 3 - COMPOSITE UTILITY PLAN - STA 19599+00 TO 19624+00	
UT-C4415	ALTERNATIVE 3 - COMPOSITE UTILITY PLAN - STA 19624+00 TO 19649+00	
UT-C4416	ALTERNATIVE 3 - COMPOSITE UTILITY PLAN - STA 19649+00 TO 19674+00	
UT-C4417	ALTERNATIVE 3 - COMPOSITE UTILITY PLAN - STA 19674+00 TO 19699+00	
UT-C4418	ALTERNATIVE 3 - COMPOSITE UTILITY PLAN - STA 19699+00 TO 19724+00	
UT-C4419	ALTERNATIVE 3 - COMPOSITE UTILITY PLAN - STA 19724+00 TO 19749+00	
UT-C4420	ALTERNATIVE 3 - COMPOSITE UTILITY PLAN - STA 19749+00 TO 19774+00	
UT-C4421	ALTERNATIVE 3 - COMPOSITE UTILITY PLAN - STA 19774+00 TO 19799+00	
UT-C4422	ALTERNATIVE 3 - COMPOSITE UTILITY PLAN - STA 19799+00 TO 19824+00	
UT-C4423	ALTERNATIVE 3 - COMPOSITE UTILITY PLAN - STA 19824+00 TO 19849+00	
UT-C4424	ALTERNATIVE 3 - COMPOSITE UTILITY PLAN - STA 19849+00 TO 19874+00	
UT-C4425	ALTERNATIVE 3 - COMPOSITE UTILITY PLAN - STA 19874+00 TO 19899+00	
UT-C4426	ALTERNATIVE 3 - COMPOSITE UTILITY PLAN - STA 19899+00 TO 19924+00	
UT-C4427	ALTERNATIVE 3 - COMPOSITE UTILITY PLAN - STA 19924+00 TO 19949+00	
UT-C4428	ALTERNATIVE 3 - COMPOSITE UTILITY PLAN - STA 19949+00 TO 19974+00	
UT-C4429	ALTERNATIVE 3 - COMPOSITE UTILITY PLAN - STA 19974+00 TO 19999+00	
UT-C4430	ALTERNATIVE 3 - COMPOSITE UTILITY PLAN - STA 19999+00 TO 20024+00	
UT-C4431	ALTERNATIVE 3 - COMPOSITE UTILITY PLAN - STA 20024+00 TO 20049+00	
UT-C4441	ALTERNATIVE 3 - COMPOSITE UTILITY PLAN - STA 19424+00 TO 19449+00	
UT-C4442	ALTERNATIVE 3 - COMPOSITE UTILITY PLAN - STA 19424+00 TO 19449+00	
UT-C4443	ALTERNATIVE 3 - COMPOSITE UTILITY PLAN - STA 19424+00 TO 19449+00	
UT-C4444	ALTERNATIVE 3 - COMPOSITE UTILITY PLAN - STA 19449+00 TO 19474+00	
UT-C4445	ALTERNATIVE 3 - COMPOSITE UTILITY PLAN - STA 19449+00 TO 19474+00	
UT-C4446	ALTERNATIVE 3 - COMPOSITE UTILITY PLAN - STA 19749+00 TO 19774+00	

Projects\701206\_00\_CHSRBP\_00\_CADD\Sheet Files\UT\_BP-UT-B0003.dgn 11/7/2017 7:57:01 PM OIC..Adodge

REV	DATE	BY	CHK	APP	DESCRIPTION

DESIGNED BY <b>D. CONYERS</b>
DRAWN BY <b>H. TU</b>
CHECKED BY <b>D. ARUTA</b>
IN CHARGE <b>S. SMITH</b>
DATE <b>10/31/2017</b>

**RECORD  
PEPD  
SUBMITTAL**

**NOT FOR  
CONSTRUCTION**



**CALIFORNIA HIGH-SPEED RAIL PROJECT  
BAKERSFIELD TO PALMDALE**

GENERAL  
INDEX SHEET  
SHEET 3 OF 4

CONTRACT NO. HSR13-44
DRAWING NO. UT-B0003
SCALE NTS
SHEET NO.





**LEGEND AND SYMBOLS**

**ABBREVIATIONS**

EXISTING	NEW	DESCRIPTION
-e- -e-	-E- -E-	ELECTRICAL UNDERGROUND
-e- (oh)-	-E- (OH)-	ELECTRICAL OVERHEAD
---gs---	---GS---	GAS
-g- -g-	-G- -G-	NATURAL GAS
-irr- -irr-	-IRR- -IRR-	IRRIGATION
---o---	---O---	OIL
---sd---	---SD---	STORM DRAIN
---s---	---S---	SEWER
-st- -st-	-ST- -ST-	STEAM
---tc- (oh)-	---TC- (OH)-	TELECOMMUNICATION OVERHEAD
---tc- tc-	---TC- TC-	TELECOMMUNICATION UNDERGROUND
---t- (oh)-	---T- (OH)-	TELEPHONE OVERHEAD
---t- t-	---T- T-	TELEPHONE UNDERGROUND
---tv- (oh)-	---TV- (OH)-	TELEVISION OVERHEAD
---tv- tv-	---TV- TV-	TELEVISION UNDERGROUND
-w- -w-	-W- -W-	WATER, RECYCLED WATER
-fo- -fo-	-FO- -FO-	FIBER OPTIC
		IRRIGATION WELL, WEIR, TURNOUT, PUMP
		SEWER, STORM DRAIN MANHOLE
		UTILITY POLE
		FIRE HYDRANT
		DROP INLET
		POWER TRANSMISSION TOWER
		STREET LIGHT
		NORTH ARROW
		PROP CHSR RIGHT-OF-WAY
		CHSR TRACK CENTER LINE
		RETAINING WALL
		STRUCTURE FOUNDATION
		PTEF
		PPEF
		UTILITY TO BE REMOVED OR RELOCATED
		RETENTION BASIN
		KEY NOTE, UTILITY NUMBER
		ROADWAY EASEMENT
		WIND TURBINE - TO BE RELOCATED

AB	AGGREGATE BASE	FH	FIRE HYDRANT	R	RADIUS
ABN	ABANDON	FM	FORCE MAIN	RCP	REINFORCED CONCRETE PIPE
AC	ASPHALT CONCRETE	F-B	FRESNO TO BAKERSFIELD	RD	ROAD
ACB	ASPHALT CONCRETE BASE	FO	FIBER OPTIC	RDWY	ROADWAY
ACP	ASBESTOS CEMENT PIPE	FUT	FUTURE	REQD	REQUIRED
A/G	AT GRADE	G	GAS	RR	RAILROAD
APPROX	APPROXIMATE	GALV	GALVANIZED	RT	RIGHT
AVE	AVENUE	GB	GRADE BREAK	RTE	ROUTE
BEG	BEGIN	GIS	GEOGRAPHICAL INFORMATION SYSTEM	R/W, ROW	RIGHT-OF-WAY
BFSSA	BAKERSFIELD F STREET STATION ALIGNMENT	GND	GROUND	RWY	RAILWAY
BLDG	BUILDING	GTR	GUTTER	S	SOUTH
BLVD	BOULEVARD	GV	GAS VALVE	SB	SOUTHBOUND
BNSF	BURLINGTON NORTHERN SANTA FE	GWTR	GROUNDWATER	SD	STORM DRAIN
BO	BLOW-OFF	GWMM	GROUNDWATER MONITOR WELL	SDMH	STORM DRAIN MANHOLE
CB	CATCH BASIN	GWAW	GROUNDWATER ACTIVE WELL	SF	SQUARE FEET
CD	CURB DRAIN	HOR	HORIZONTAL	SHLD	SHOULDER
C&G	CURB AND GUTTER	HSR	HIGH-SPEED RAIL	SR	STATE ROUTE
CHSR	CALIFORNIA HIGH-SPEED RAIL	HST	HIGH-SPEED TRAIN	SS	SANITARY SEWER, SUPPLY STATION
CHST	CALIFORNIA HIGH-SPEED TRAIN	IN	INCH	SSMH	SANITARY SEWER MANHOLE
CIP	CAST IRON PIPE	INV	INVERT	ST	STREET
CL	CENTERLINE, CLASS	IRR	IRRIGATION	STA	STATION
CLSM	CONTROLLED LOW STRENGTH MATERIAL	LT	LEFT	SW	SIDEWALK, SWITCHING STATION
CPUC	CALIFORNIA PUBLIC UTILITIES COMMISSION	MAX	MAXIMUM	SWR	SEWER
CMP	CORRUGATED METAL PIPE	MIN	MINIMUM	T	TELEPHONE, TOTAL
CTV	CABLE TELEVISION	N	NORTH, NEW	TC	TELECOMMUNICATION
CV	CURVE	NA	NOT APPLICABLE	TCE	TEMPORARY CONSTRUCTION EASEMENT
D	DEPTH	NB	NORTHBOUND	TEL	TELEPHONE
DI	DRAINAGE INLET	NIC	NOT IN CONTRACT	TP	TRACTION POWER
DIA	DIAMETER	NO	NUMBER	TOR	TOP OF RAIL
DIP	DUCTILE IRON PIPE	NTS	NOT TO SCALE	TS	TRAFFIC SIGNAL
DIST	DISTANCE	OCS	OVERHEAD CONTACT SYSTEM	TYP	TPICAL
DWG	DRAWING	PROP, (P)	PROPOSED	UG, U/G	UNDERGROUND
E	ELECTRICAL, EAST	PED	PEDESTRIAN	UNK	UNKNOWN
EB	EASTBOUND	PPEF	PROPOSED PERMANENT ENVIRONMENTAL FOOTPRINT	UPRR	UNION PACIFIC RAILROAD
EL	ELEVATION	PS	PARALLELING STATION	VAR	VARIES
ELEC	ELECTRIC	PTEF	PROPOSED TEMPORARY ENVIRONMENTAL FOOTPRINT	VC	VERTICAL CURVE
EP	EDGE OF PAVEMENT	PVC	POLYVINYL CHLORIDE	VCP	VITRIFIED CLAY PIPE
EXIST, (E)	EXISTING	PVMT	PAVEMENT	W	WEST, WATER
		PG	PROPOSED GRADE	W/	WITH
				WB	WESTBOUND
				WM	WATER MAIN
				WV	WATER VALVE

Projects\701206\_00\_CHSRBP\00\_CADD\Sheet Files\UT\_VBP-UT-B0005.dgn  
 7:48:15 PM 11/7/2017  
 7:48:15 PM

REV	DATE	BY	CHK	APP	DESCRIPTION

DESIGNED BY  
**D. CONYERS**  
 DRAWN BY  
**H. TU**  
 CHECKED BY  
**D. ARUTA**  
 IN CHARGE  
**S. SMITH**  
 DATE  
**10/31/2017**

**RECORD  
 PEPD  
 SUBMITTAL**  
  
**NOT FOR  
 CONSTRUCTION**



**CALIFORNIA HIGH-SPEED RAIL PROJECT**  
**BAKERSFIELD TO PALMDALE**  
  
 GENERAL  
 ABBREVIATIONS AND LEGEND

CONTRACT NO.  
**HSR13-44**  
 DRAWING NO.  
**UT-B0005**  
 SCALE  
**NTS**  
 SHEET NO.



Projects\701206\_00\_CHSRBP\00\_CADD\Sheet Files\UT-BP-UT-B0006.dgn  
 11/7/2017 7:52:12 PM  
 OIC..Adodge

UTILITY OWNERS	
OWNER	ABBREVIATION
ANTELOPE VALLEY EAST KERN WATER AGENCY	AVEKWA
APR CORPORATION	APR CORP
ARVIN-EDISON WATER STORAGE DISTRICT	AEWSD
AT&T TRANSMISSION	AT&T TRANS
AT&T/PACBELL	PACBELL
BRIGHT HOUSE NETWORKS	BRIGHTHOUSE
CALIFORNIA WATER SERVICE	CALWATER
CALTRANS	CALTRANS
CENTURYLINK COMMUNICATION CA	CENTURYLINK
CITY OF BAKERSFIELD	CITY OF BAKERSFIELD
CITY OF LANCASTER	CITY OF LANCASTER
CITY OF PALMDALE	CITY OF PALMDALE
CITY OF TEHACHAPI	CITY OF TEHACHAPI
COUNTY OF KERN	COUNTY OF KERN
CVIN LLC	CVIN
DOLE ENTERPRISES	DOLE ENT
EAST NILES COMMUNITY SERVICES DISTRICT	ENCSD
GOLDEN HILLS COMMUNITY SERVICE DISTRICT	GHCSO
KERN DELTA WATER DISTRICT	KDWD
KERN OIL & REFINING	KERN OIL
KERN SANITATION AUTHORITY	KSA
KINDER MORGAN (EL PASO PIPELINE)	EL PASO/KM
KINDER MORGAN (MOJAVE PIPELINE)	MOJAVE/KM
LANDALE MUTUAL WATER COMPANY	LMWC
LEVEL 3 COMMUNICATIONS	LEVEL 3
LOS ANGELES DEPARTMENT OF WATER AND POWER	LADWP
LOS ANGELES COUNTY DPW WATER WORKS	LACDPW-WW
LOS ANGELES COUNTY DEPARTMENT OF PARKS AND RECREATION	LACDPR
LOS ANGELES COUNTY SANITATION DISTRICT	LACSD
NAFTEX OPERATING COMPANY	NAFTEX
NEXTERA ENERGY RESOURCES	NEXTERA
PG&E - DISTRIBUTION	PG&E DIST
PG&E - TRANSMISSION	PG&E TRANS
PHILLIPS 66 - TOSCO	PHILLIPS66
ROSAMOND COMMUNITY SERVICE DISTRICT	RCSD
SHELL PIPELINE CO	SHELL
SOUTHERN CALIFORNIA EDISON - TRANSMISSION	SCE TRANS
SOUTHERN CALIFORNIA EDISON - DISTRIBUTION	SCE DIST
SOUTHERN CALIFORNIA GAS CO/SEMPRA - DISTRIBUTION	SEMPRA DIST

UTILITY OWNERS CONT.	
OWNER	ABBREVIATION
SOUTHERN CALIFORNIA GAS CO/SEMPRA - TRANSMISSION	SEMPRA TRANS
SPRINT	SPRINT
SUNESYS, LLC	SUNESYS
TEHACHAPI CUMMINGS WATER	TEHACHAPI CUMMINGS
TIME WARNER	TIME WARNER
UNITED STATES BUREAU OF RECLAMATION	USBR
VALLEY WATER MANAGEMENT COMPANY	VWMC
VAQUERO ENERGY	VAQUERO
VERIZON	VERIZON

**GENERAL NOTES:**

- EXISTING UNDERGROUND UTILITIES AND IMPROVEMENTS ARE SHOWN IN THEIR APPROXIMATE LOCATION BASED UPON RECORD INFORMATION AVAILABLE AT THE TIME OF PREPARATION THESE PLANS. THE LOCATION OF EXISTING UTILITIES ARE BASED ON FOUR SOURCES:
  - TOPOGRAPHIC SURVEY
  - GIS
  - AS-BUILT DRAWINGS
  - LIMITED FIELD RECONNAISSANCE
 THE CONTRACTOR SHALL CONDUCT ITS OWN SURVEY AND VERIFY THE LOCATION OF EXISTING UTILITIES AND RECONCILE THE SURVEY DATA AND GIS DATA.
- SERVICE LATERALS FOR POTABLE WATER, SANITARY SEWER AND NATURAL GAS ARE NOT SHOWN.
- EXISTING UTILITIES IDENTIFIED WITH THE DISPOSITION 'RELOCATE' AND 'REMOVE' PERTAIN TO ONLY THAT PORTION OF THE UTILITY WITHIN THE PROPOSED CHSR ROW OR IMPACTED BY PROPOSED IMPROVEMENTS.
- ABANDONMENT OF EXISTING OIL WELLS SHALL CONFORM TO THE REQUIREMENTS OF AGENCIES HAVING JURISDICTION REGARDING DECOMMISSIONING OF EXISTING OIL WELLS AND APPURTENANT EQUIPMENT.

**HIGH VOLTAGE TRANSMISSION LINE RELOCATION NOTES:**

- ELECTRICAL TOWER AND WIRE HEIGHTS ARE NOT BASED ON FIELD SURVEY AND MAY NOT REPRESENT ACTUAL FIELD CONDITIONS.
- CPUC VERTICAL CLEARANCE FROM OCS POLE NEGATIVE FEEDER WIRE TO LOWEST HIGH VOLTAGE ELECTRICAL CONDUCTOR: CPUC GO 95 RULE 38 TABLE 2 (CASE 12).
- ELECTRICAL TRANSMISSION TOWERS/POLES SUBJECT TO ADDITIONAL CLEARANCE REQD BY UTILITY OWNER.
- PROPOSED HV TRANSMISSION TOWERS REPRESENTED CONCEPTUALLY.
- NEGATIVE FEEDER WIRE DISTANCE ABOVE TOP RAIL: 30' FOR 2 TRACK CONFIGURATION, 35' FOR 3 OR MORE TRACK CONFIGURATION.

**DRAINAGE SYSTEM AND RELOCATION NOTES:**

EXISTING STORM DRAINAGE PIPES, CULVERTS, OR CHANNELS ARE SHOWN FOR INFORMATION ONLY. REFER TO GRADING AND DRAINAGE PLANS FOR DETIALED DRAINAGE INFORMATION.

DESIGNED BY <b>D. CONYERS</b>	<b>RECORD PEPD SUBMITTAL</b>  <b>NOT FOR CONSTRUCTION</b>				
DRAWN BY <b>H. TU</b>					
CHECKED BY <b>D. ARUTA</b>					
IN CHARGE <b>S. SMITH</b>					
DATE <b>10/31/2017</b>					
REV	DATE	BY	CHK	APP	DESCRIPTION

**TYLIN INTERNATIONAL**



**CALIFORNIA HIGH-SPEED RAIL PROJECT  
BAKERSFIELD TO PALMDALE**  
  
 GENERAL  
 GENERAL NOTES AND UTILITY OWNERS

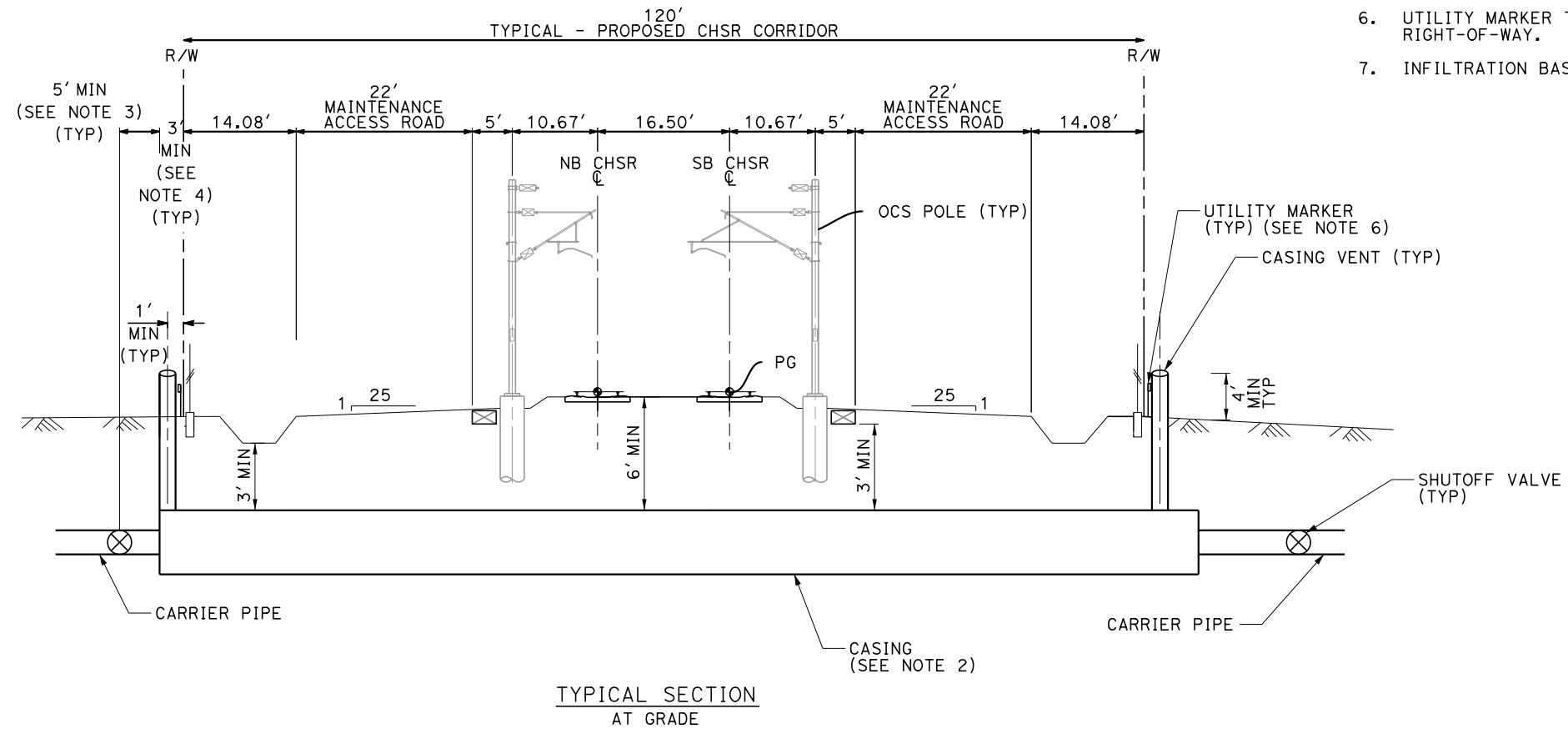
CONTRACT NO. HSR13-44
DRAWING NO. UT-B0006
SCALE NTS
SHEET NO.

Projects\701206.00\_CHSRBP\00\_CADD\Sheet Files\UT\BP-UT-B0007.dgn

OIC:Adodge 11/7/2017 7:48:20 PM

**NOTES:**

1. TRACK, SYSTEMS, DRAINAGE, AND STRUCTURES ARE SCHEMATIC AND DO NOT REPRESENT DESIGN.
2. FOR ADDITIONAL PIPE CASING REQUIREMENTS, SEE AREMA MANUAL.
3. SHUTOFF VALVE MUST BE ACCESSIBLE FROM OUTSIDE THE RIGHT-OF-WAY. IT MAY NOT BE NEEDED ON BOTH SIDES.
4. THE CASING SHALL CONTINUE MINIMUM 3'-0" BEYOND THE RIGHT-OF-WAY.
5. TRANSVERSE UTILITIES SHALL BE LOCATED AWAY FROM MANHOLES, OCS FOOTINGS, AND OTHER HST SUBSURFACE ELEMENTS.
6. UTILITY MARKER TO INDICATE LOCATION OF UTILITY CROSSING AT RIGHT-OF-WAY.
7. INFILTRATION BASIN WHERE SHOWN ON THE PLANS.



REV	DATE	BY	CHK	APP	DESCRIPTION

DESIGNED BY  
**D. CONYERS**  
DRAWN BY  
**H. TU**  
CHECKED BY  
**D. ARUTA**  
IN CHARGE  
**S. SMITH**  
DATE  
**10/31/2017**

**RECORD  
PEPD  
SUBMITTAL**

**NOT FOR  
CONSTRUCTION**

**TYLIN INTERNATIONAL**



**CALIFORNIA HIGH-SPEED RAIL PROJECT  
BAKERSFIELD TO PALMDALE**

GENERAL  
COMPOSITE UTILITY PLAN  
UTILITY CROSSING DETAIL

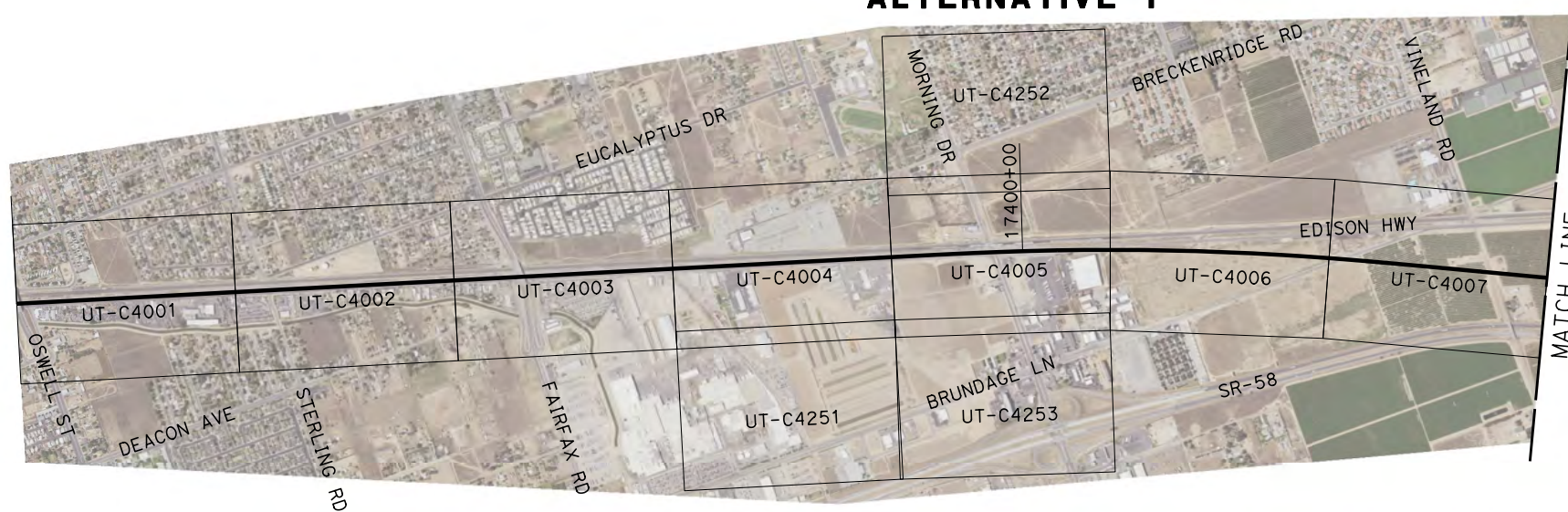
CONTRACT NO.  
**HSR13-44**  
DRAWING NO.  
**UT-B0007**  
SCALE  
**NTS**  
SHEET NO.



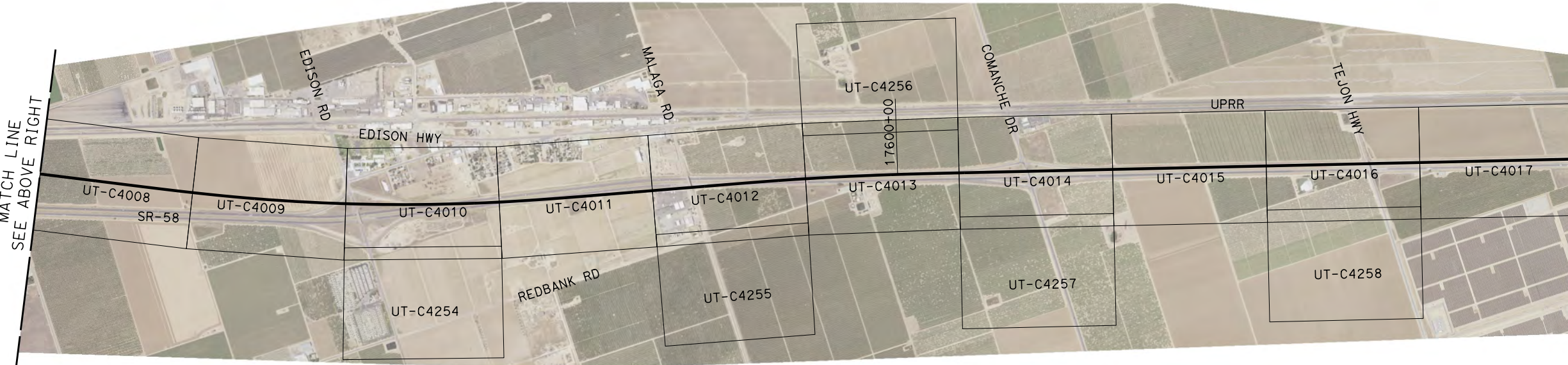
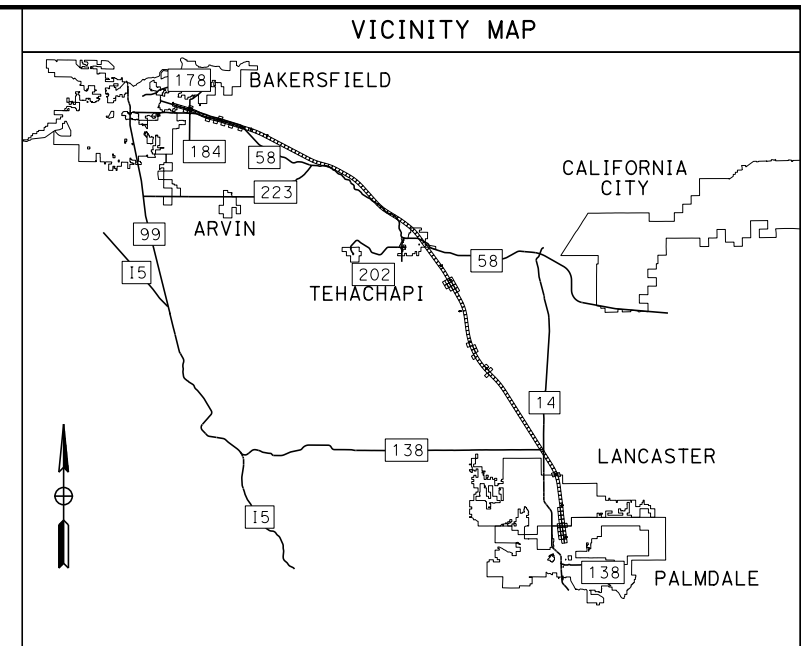
Projects\701206.00\_CHSRBP\00\_CADD\Sheet\_Files\UT\BP-UT-B0008.dgn

OIC:Adodge 11/7/2017 7:50:35 PM

### ALTERNATIVE 1

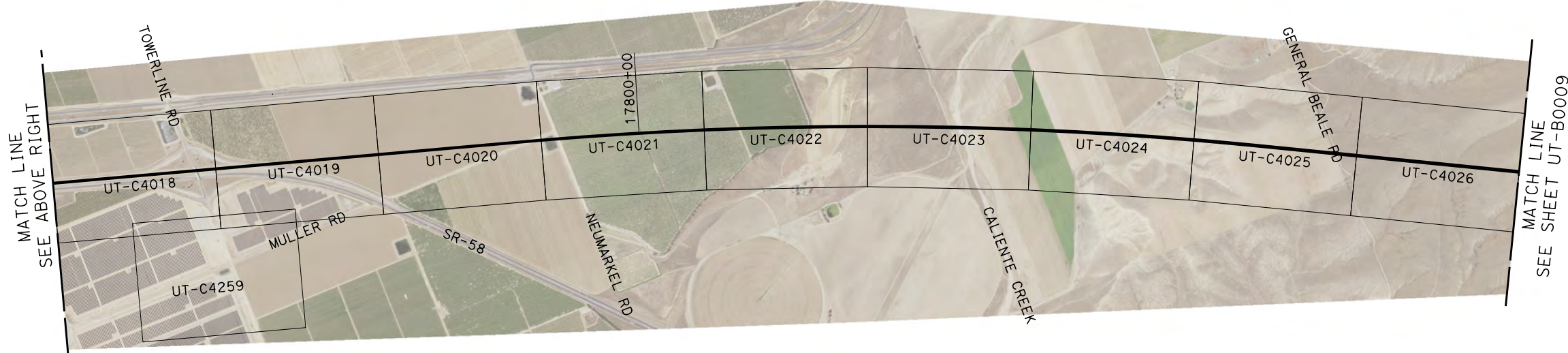


MATCH LINE  
SEE BELOW LEFT



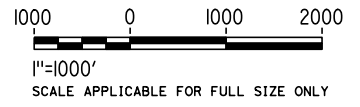
MATCH LINE  
SEE ABOVE RIGHT

MATCH LINE  
SEE BELOW LEFT



MATCH LINE  
SEE ABOVE RIGHT

MATCH LINE  
SEE SHEET UT-B0009



REV	DATE	BY	CHK	APP	DESCRIPTION

DESIGNED BY  
**D. CONYERS**  
DRAWN BY  
**H. TU**  
CHECKED BY  
**D. ARUTA**  
IN CHARGE  
**S. SMITH**  
DATE  
**10/31/2017**

**RECORD  
PEPD  
SUBMITTAL**

**NOT FOR  
CONSTRUCTION**



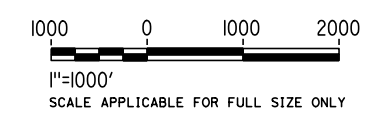
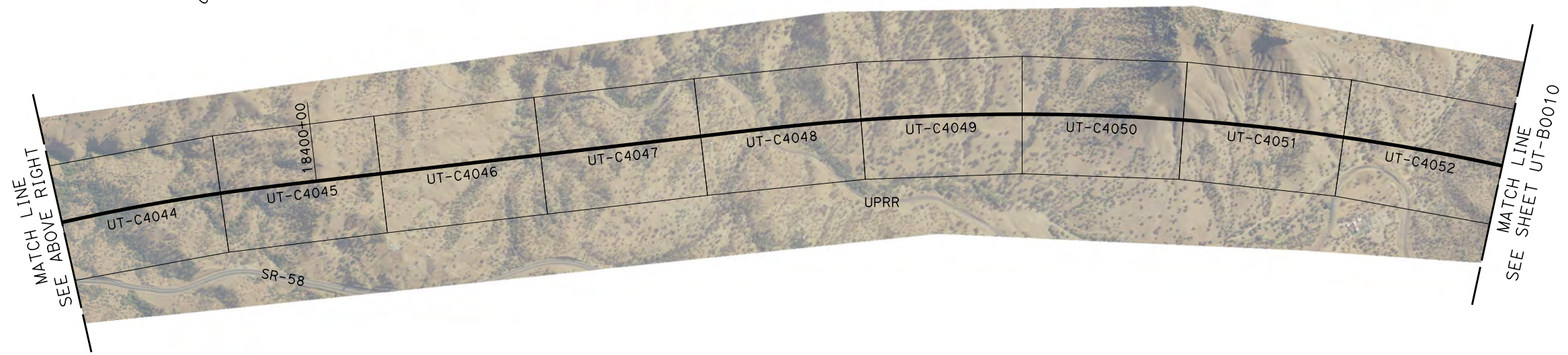
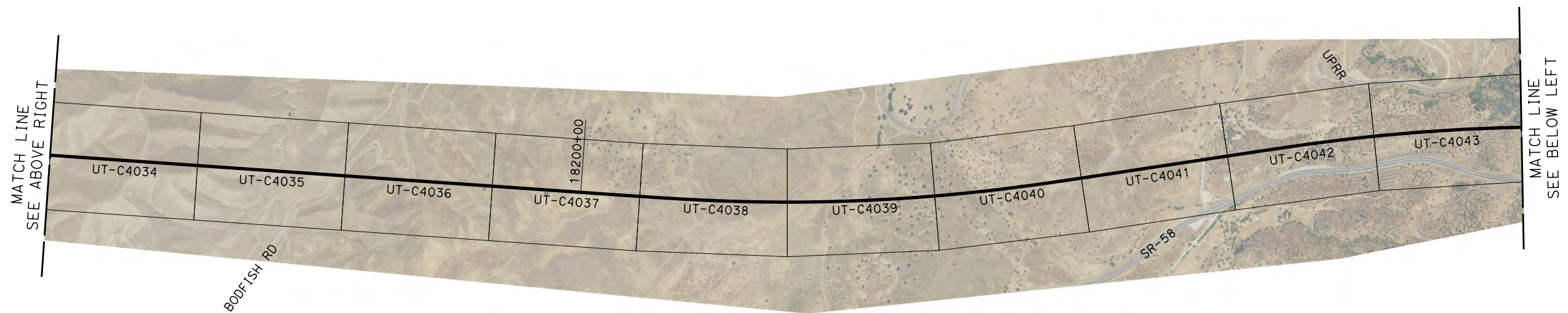
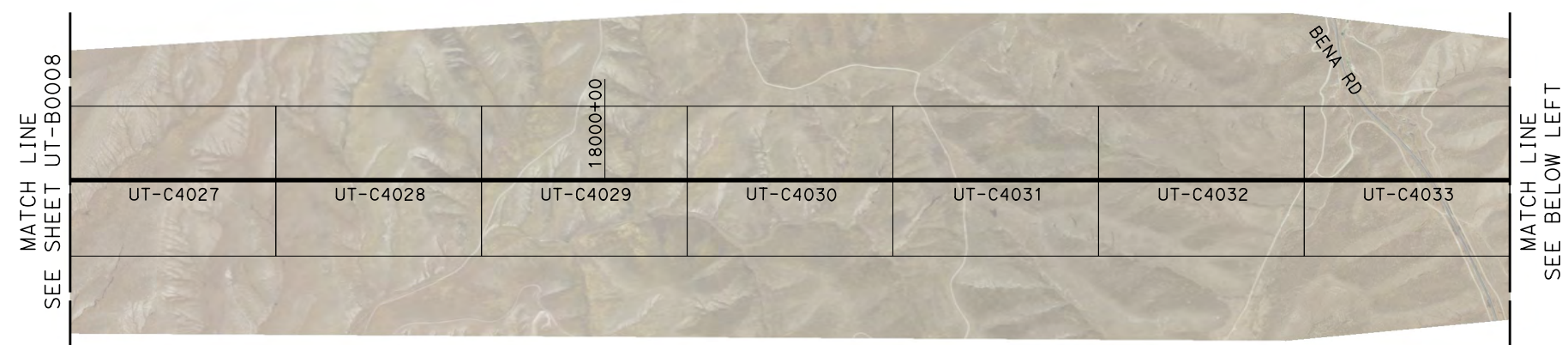
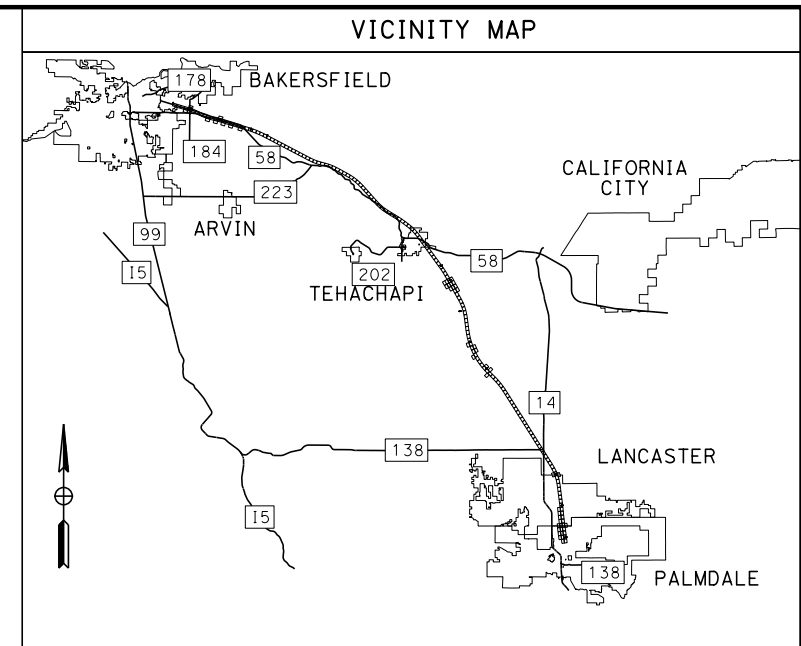
**CALIFORNIA HIGH-SPEED RAIL PROJECT  
BAKERSFIELD TO PALMDALE**

ALTERNATIVE 1  
KEY MAP  
SHEET 1 OF 7

CONTRACT NO.  
HSR13-44  
DRAWING NO.  
UT-B0008  
SCALE  
AS SHOWN  
SHEET NO.



# ALTERNATIVE 1



Projects\701206.00\_CHSRBP\00\_CADD\Sheet Files\UT\BP-UT-B0009.dgn

OIC:Adodge 11/7/2017 7:52:54 PM

REV	DATE	BY	CHK	APP	DESCRIPTION

DESIGNED BY  
**D. CONYERS**

DRAWN BY  
**H. TU**

CHECKED BY  
**D. ARUTA**

IN CHARGE  
**S. SMITH**

DATE  
**10/31/2017**

**RECORD  
PEPD  
SUBMITTAL**

**NOT FOR  
CONSTRUCTION**



**CALIFORNIA HIGH-SPEED RAIL PROJECT  
BAKERSFIELD TO PALMDALE**

ALTERNATIVE 1  
KEY MAP  
SHEET 2 OF 7

CONTRACT NO.  
HSR13-44

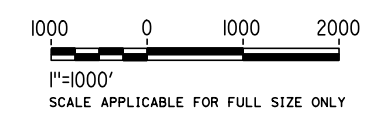
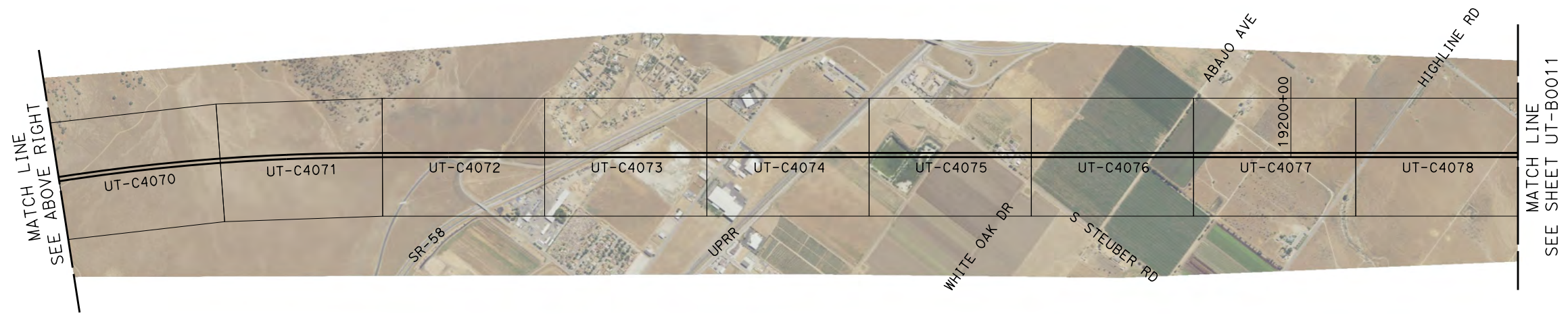
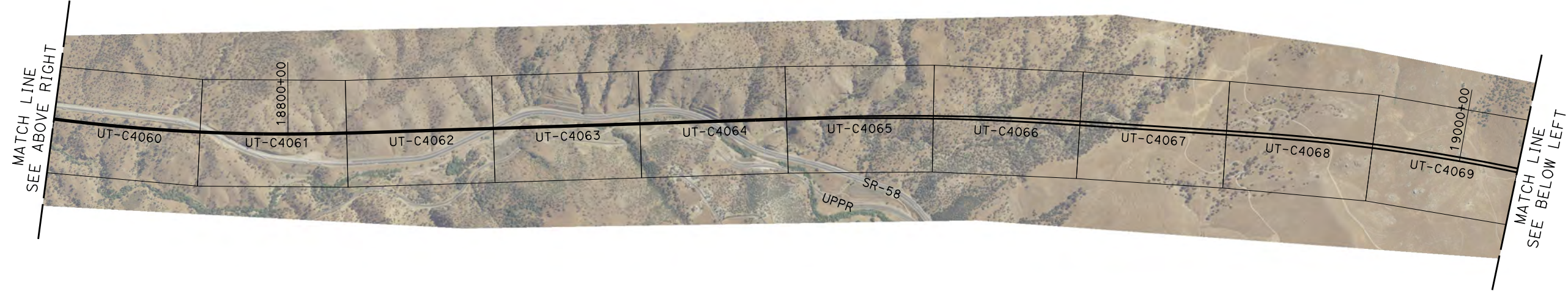
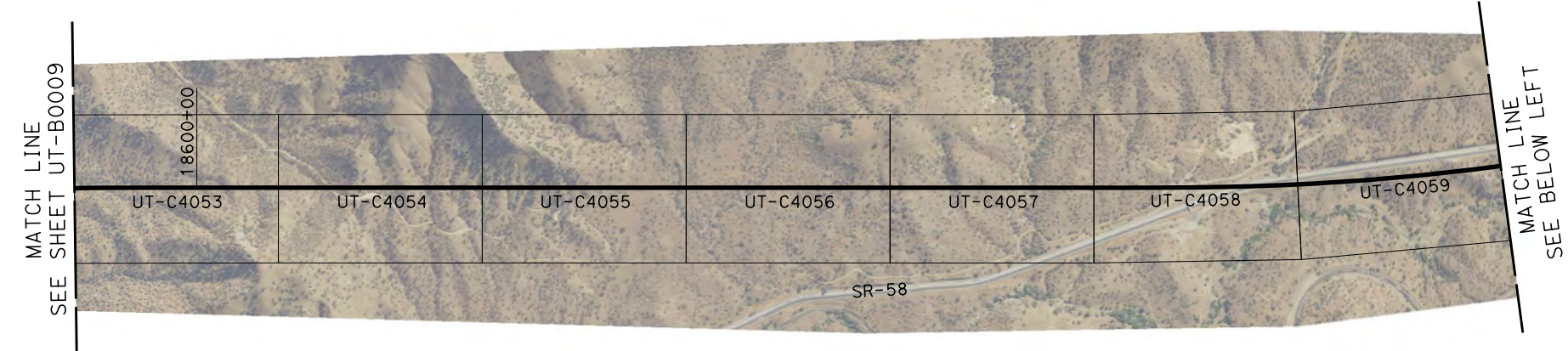
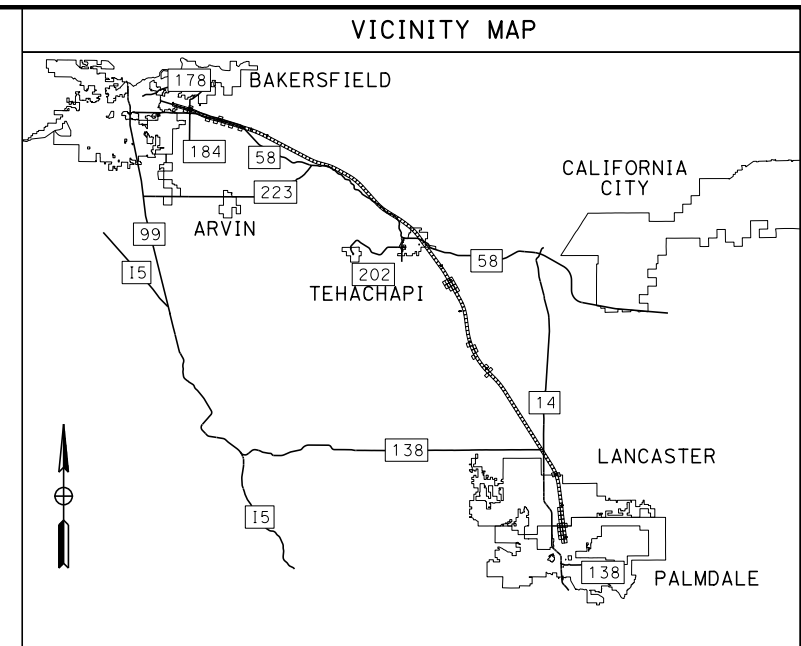
DRAWING NO.  
UT-B0009

SCALE  
AS SHOWN

SHEET NO.



# ALTERNATIVE 1



Projects\701206.00\_CHSRBP\00\_CADD\Sheet Files\UT\BP-UT-B0010.dgn

OIC:Adodge 11/7/2017 7:49:30 PM

REV	DATE	BY	CHK	APP	DESCRIPTION

DESIGNED BY  
**D. CONYERS**  
DRAWN BY  
**H. TU**  
CHECKED BY  
**D. ARUTA**  
IN CHARGE  
**S. SMITH**  
DATE  
**10/31/2017**

**RECORD  
PEPD  
SUBMITTAL**

**NOT FOR  
CONSTRUCTION**



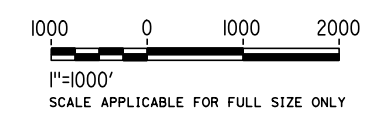
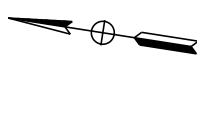
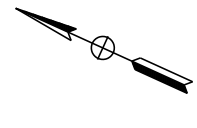
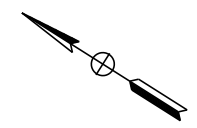
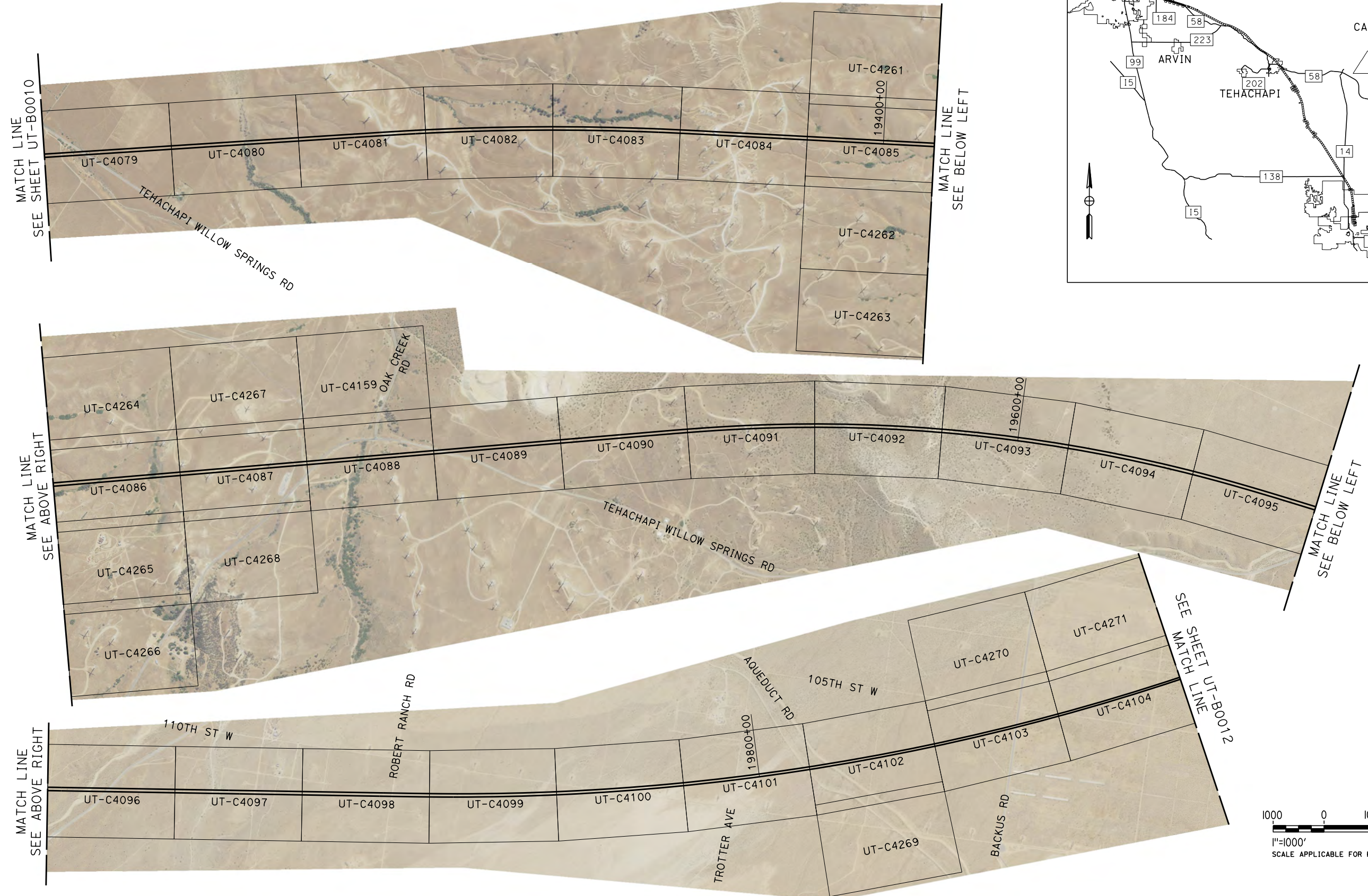
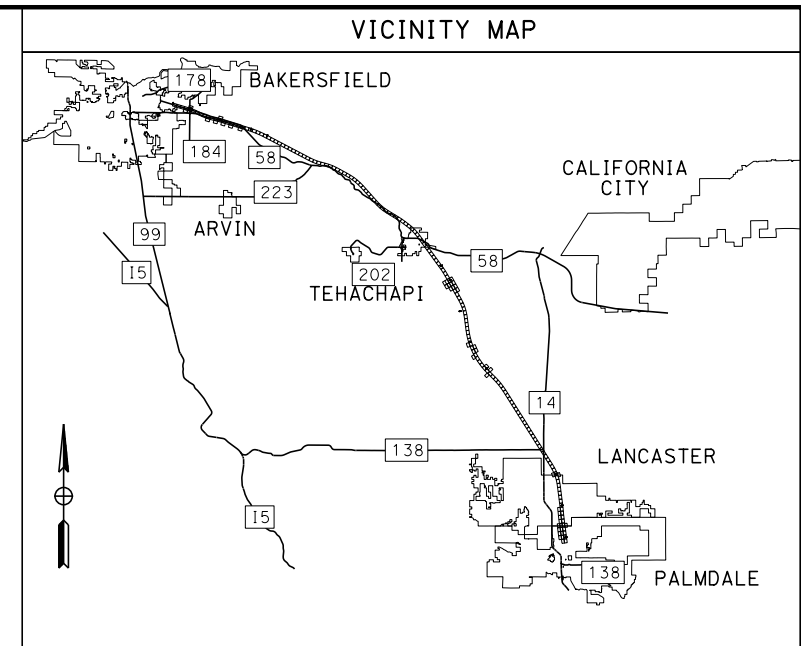
**CALIFORNIA HIGH-SPEED RAIL PROJECT  
BAKERSFIELD TO PALMDALE**

ALTERNATIVE 1  
KEY MAP  
SHEET 3 OF 7

CONTRACT NO.  
HSR13-44  
DRAWING NO.  
UT-B0010  
SCALE  
AS SHOWN  
SHEET NO.



# ALTERNATIVE 1



Projects\701206.00\_CHSRBP\00\_CADD\Sheet Files\UT\BP-UT-B0011.dgn

OIC:Adodge 11/7/2017 7:51:25 PM

REV	DATE	BY	CHK	APP	DESCRIPTION

DESIGNED BY  
**D. CONYERS**

DRAWN BY  
**H. TU**

CHECKED BY  
**D. ARUTA**

IN CHARGE  
**S. SMITH**

DATE  
**10/31/2017**

**RECORD  
PEPD  
SUBMITTAL**

**NOT FOR  
CONSTRUCTION**



**CALIFORNIA HIGH-SPEED RAIL PROJECT  
BAKERSFIELD TO PALMDALE**

ALTERNATIVE 1  
KEY MAP  
SHEET 4 OF 7

CONTRACT NO.  
HSR13-44

DRAWING NO.  
UT-B0011

SCALE  
AS SHOWN

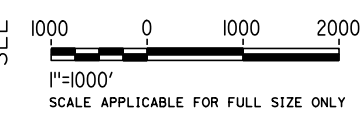
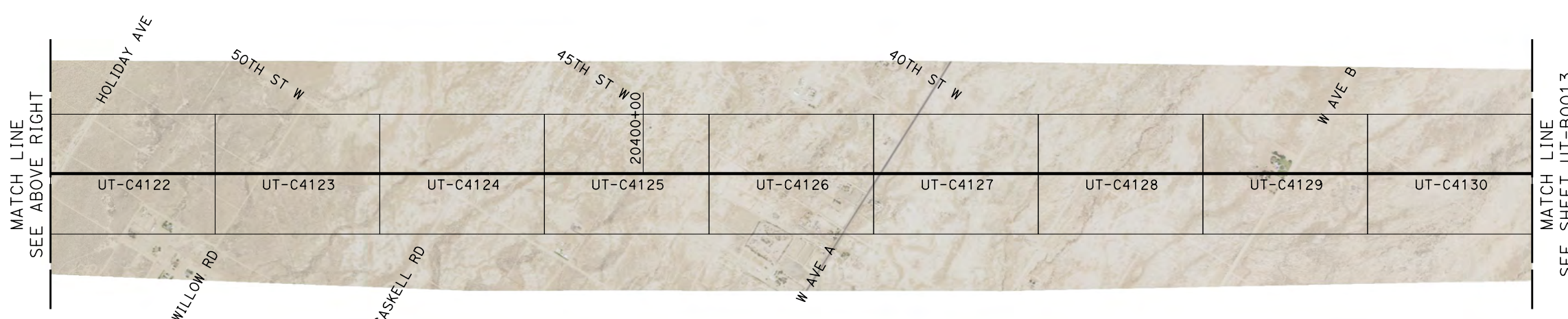
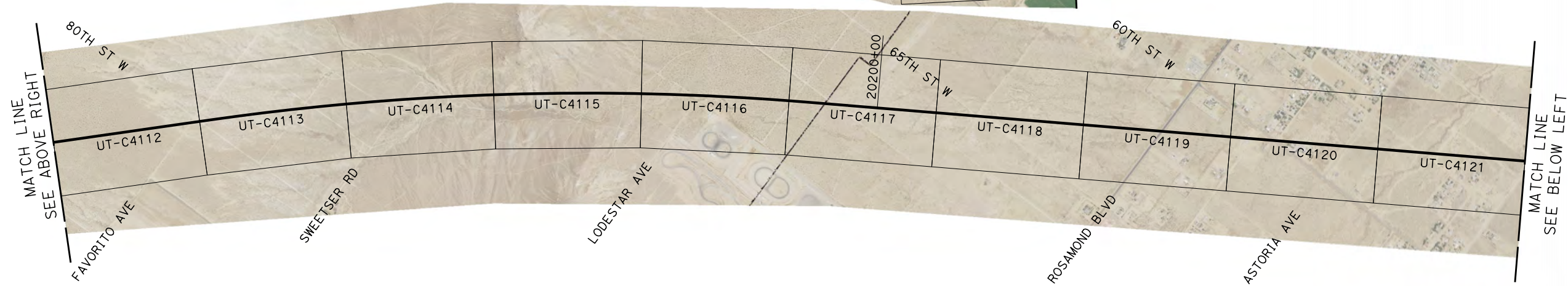
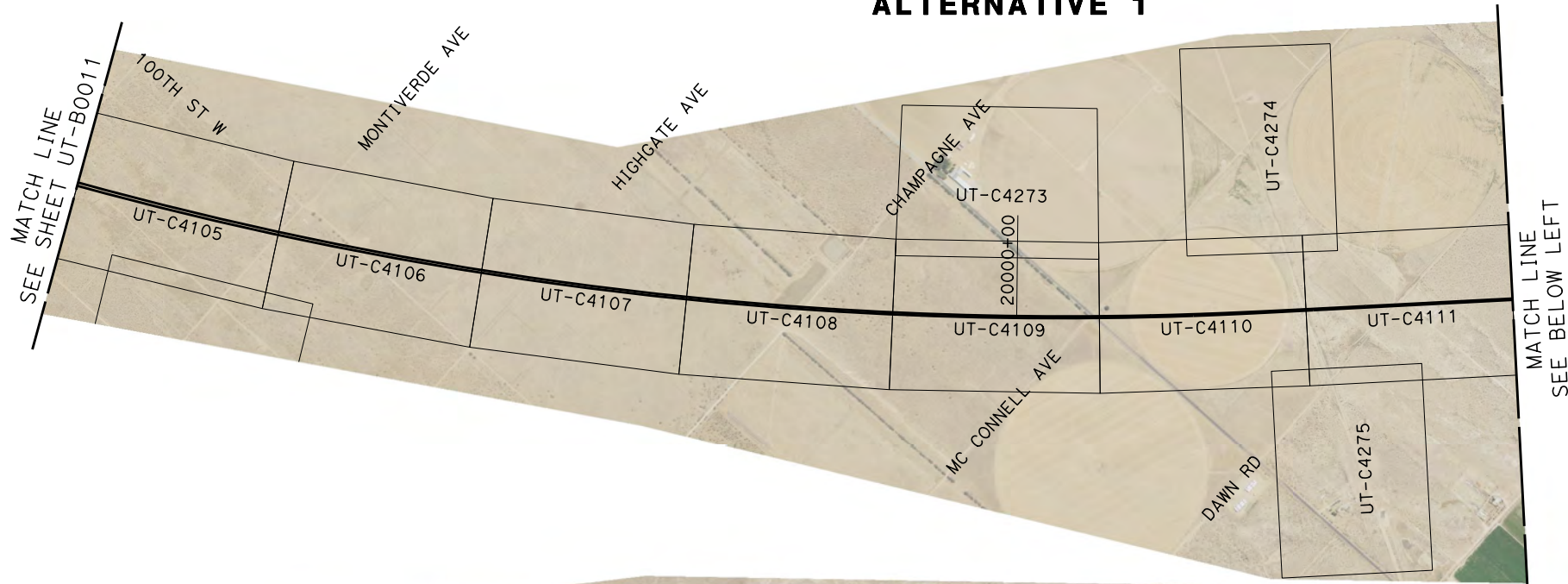
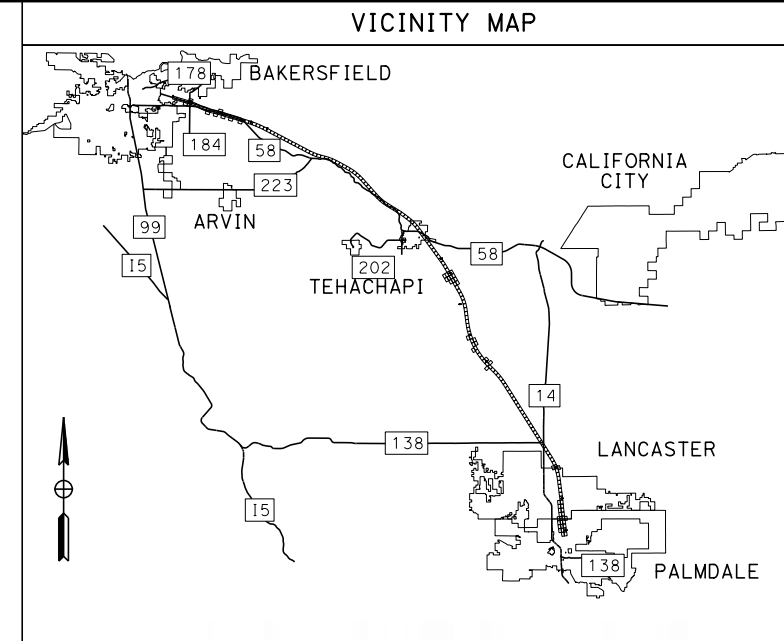
SHEET NO.



Projects\701206\00\_CHSRBP\00\_CADD\Sheet Files\UT\BP-UT-B0012.dgn

OIC:Adodge 11/7/2017 7:57:18 PM

# ALTERNATIVE 1



REV	DATE	BY	CHK	APP	DESCRIPTION

DESIGNED BY  
**D. CONYERS**  
DRAWN BY  
**H. TU**  
CHECKED BY  
**D. ARUTA**  
IN CHARGE  
**S. SMITH**  
DATE  
**10/31/2017**

**RECORD  
PEPD  
SUBMITTAL**

**NOT FOR  
CONSTRUCTION**



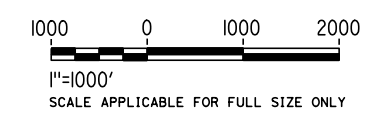
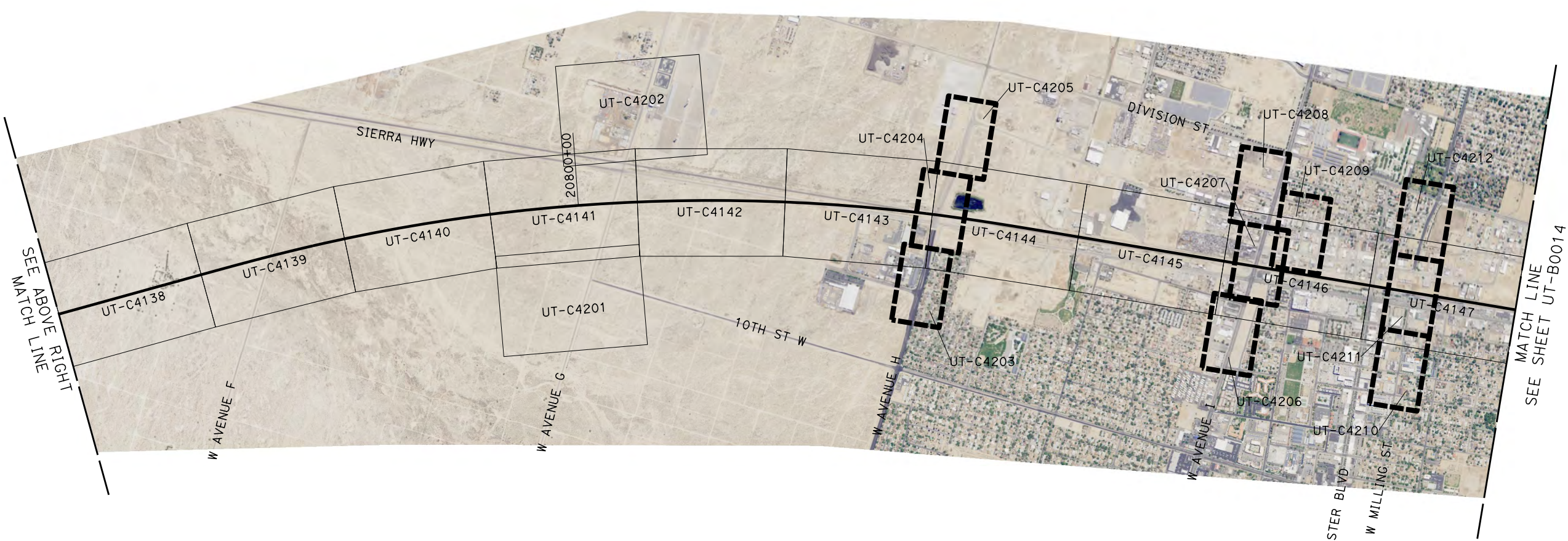
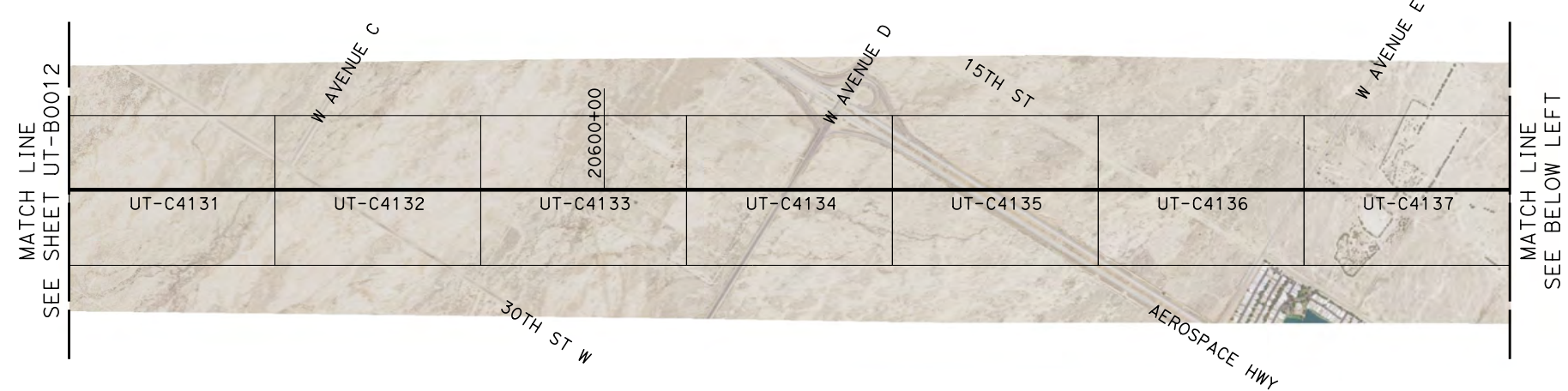
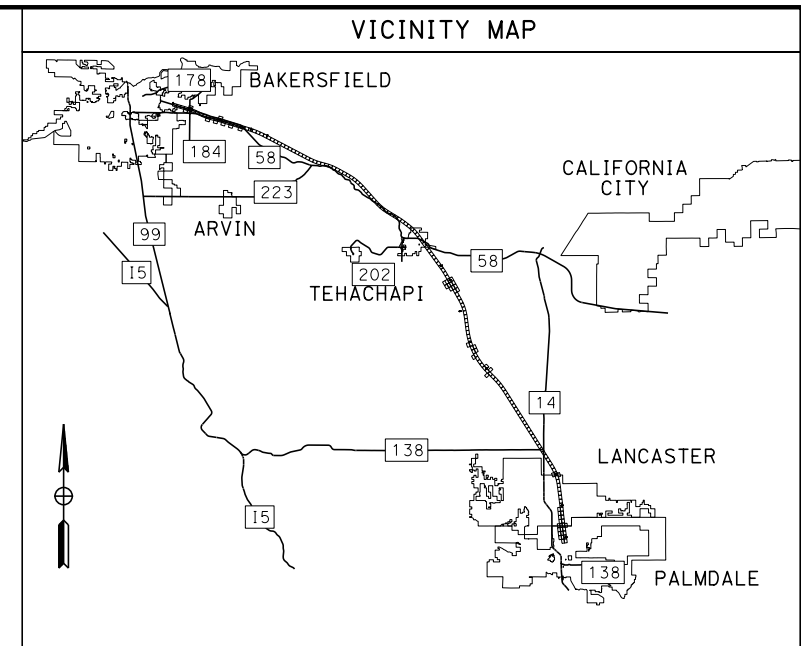
**CALIFORNIA HIGH-SPEED RAIL PROJECT  
BAKERSFIELD TO PALMDALE**

ALTERNATIVE 1  
KEY MAP  
SHEET 5 OF 7

CONTRACT NO.  
HSR13-44  
DRAWING NO.  
UT-B0012  
SCALE  
AS SHOWN  
SHEET NO.



# ALTERNATIVE 1



Projects\701206.00\_CHSRBP\00\_CADD\Sheet Files\UT\BP-UT-B0013.dgn

REV	DATE	BY	CHK	APP	DESCRIPTION

DESIGNED BY  
**D. CONYERS**

DRAWN BY  
**H. TU**

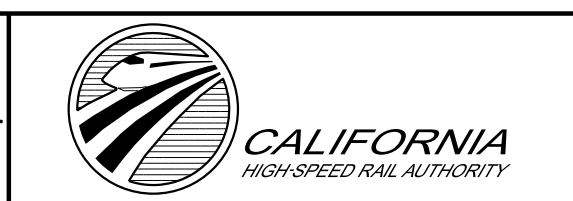
CHECKED BY  
**D. ARUTA**

IN CHARGE  
**S. SMITH**

DATE  
**10/31/2017**

**RECORD  
PEPD  
SUBMITTAL**

**NOT FOR  
CONSTRUCTION**



**CALIFORNIA HIGH-SPEED RAIL PROJECT  
BAKERSFIELD TO PALMDALE**

ALTERNATIVE 1  
KEY MAP  
SHEET 6 OF 7

CONTRACT NO.  
**HSR13-44**

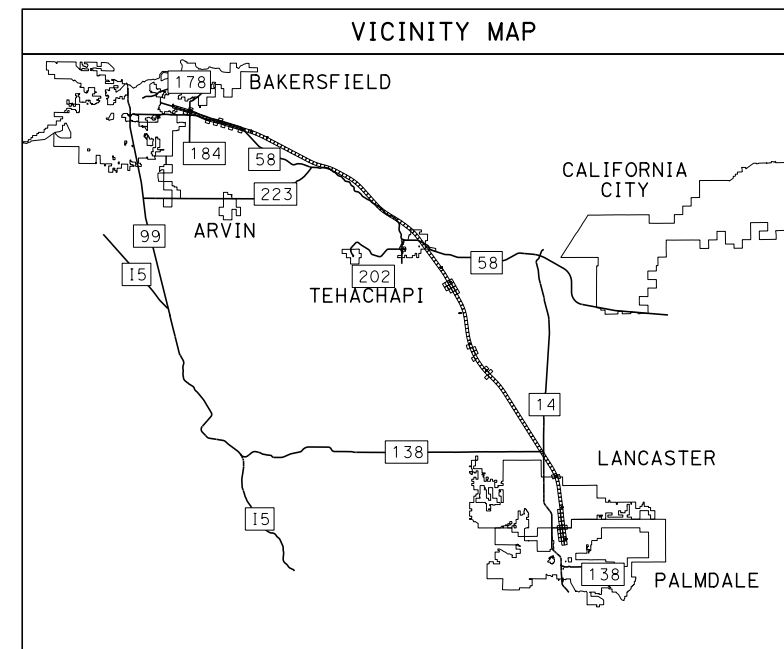
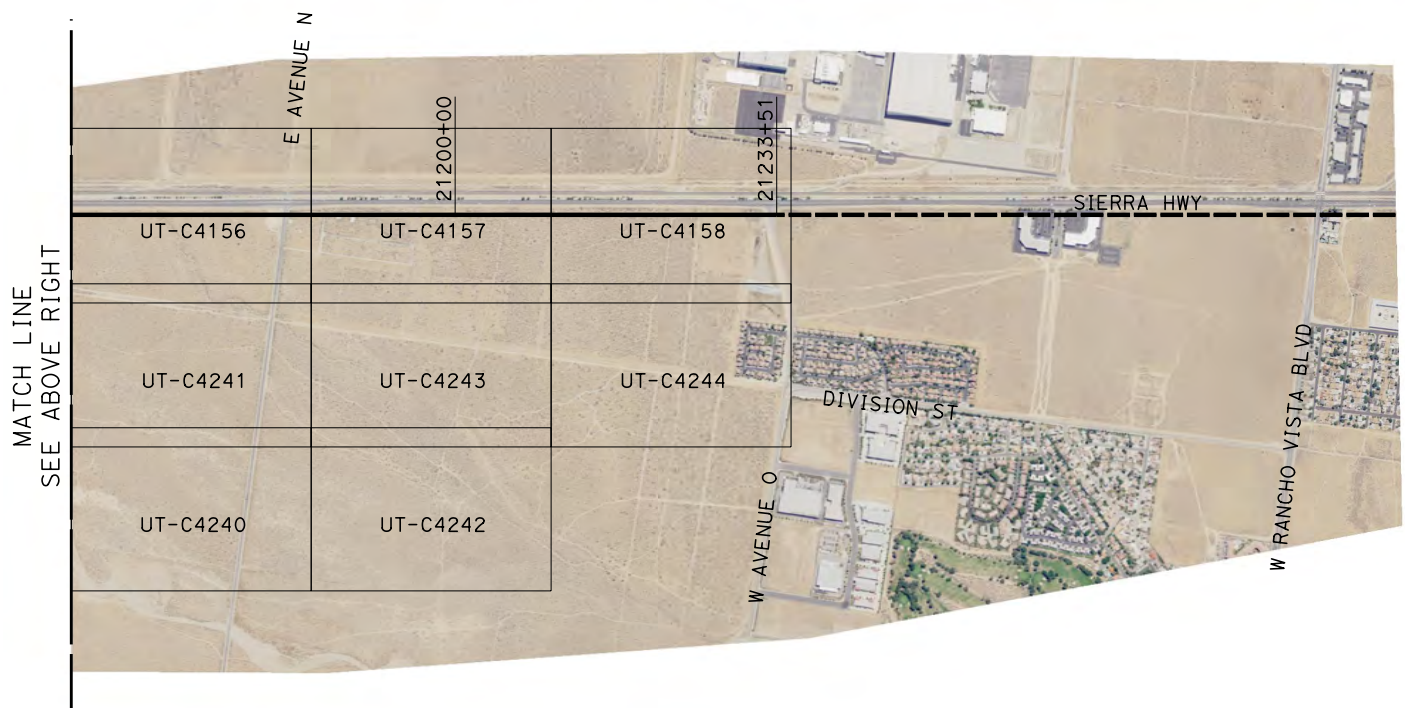
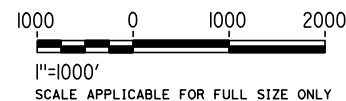
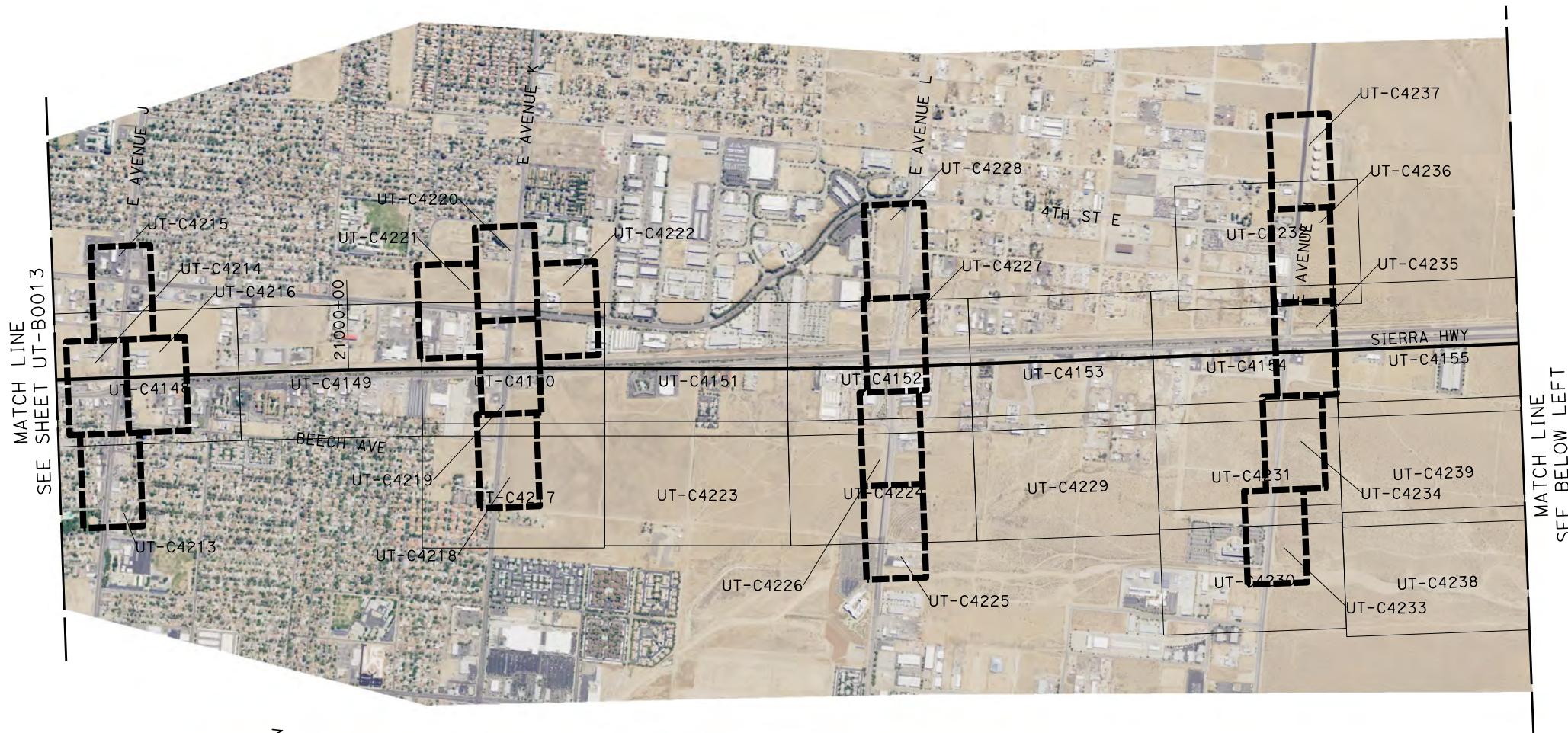
DRAWING NO.  
**UT-B0013**

SCALE  
**AS SHOWN**

SHEET NO.



# ALTERNATIVE 1



Projects\701206.00\_CHSRBP\00\_CADD\Sheet Files\UT\BP-UT-B0014.dgn

OIC:Adodge 11/7/2017 7:49:21 PM

REV	DATE	BY	CHK	APP	DESCRIPTION

DESIGNED BY  
**D. CONYERS**  
DRAWN BY  
**H. TU**  
CHECKED BY  
**D. ARUTA**  
IN CHARGE  
**S. SMITH**  
DATE  
**10/31/2017**

**RECORD  
PEPD  
SUBMITTAL**

**NOT FOR  
CONSTRUCTION**



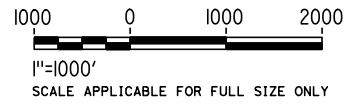
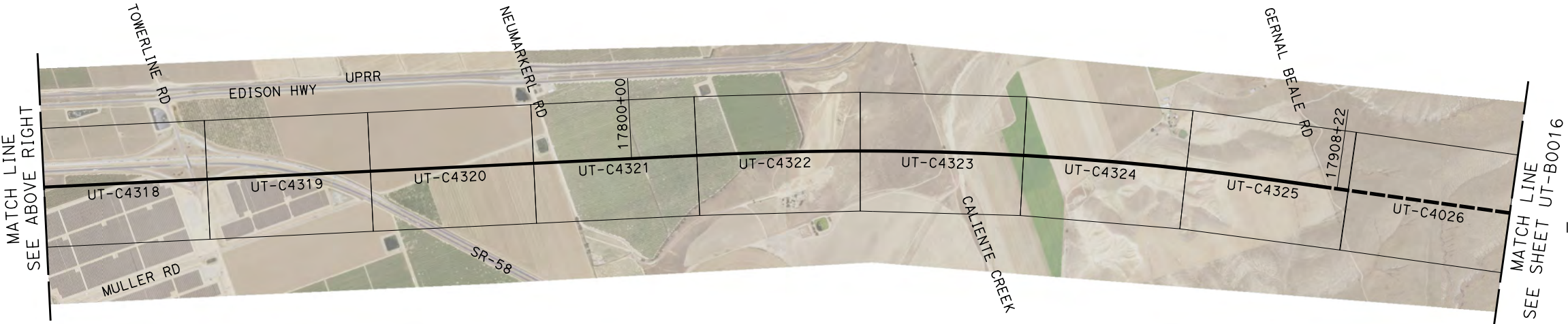
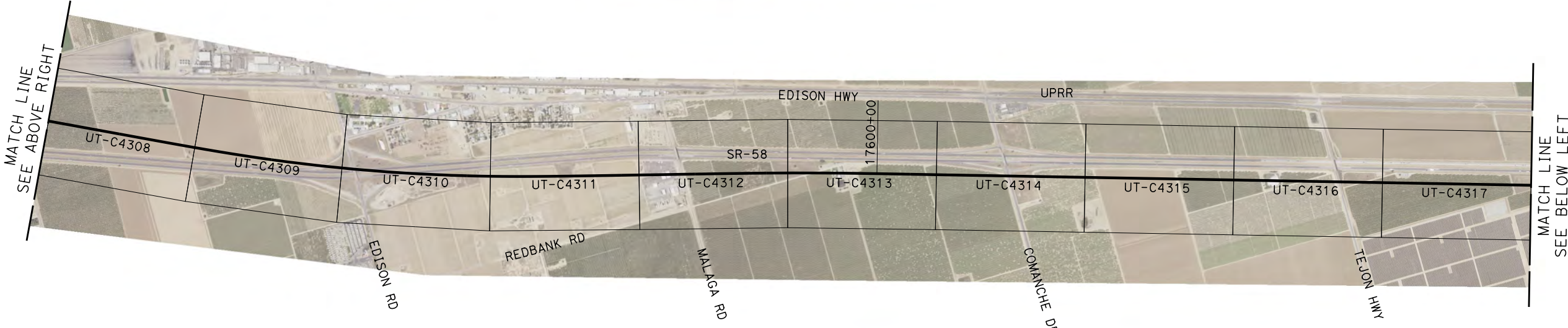
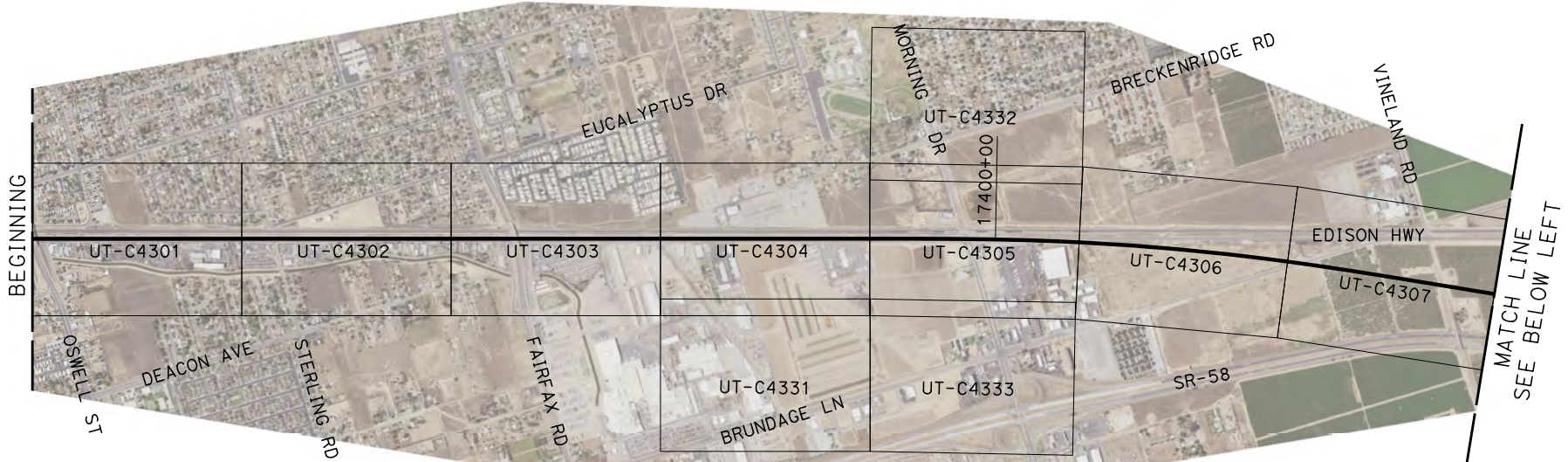
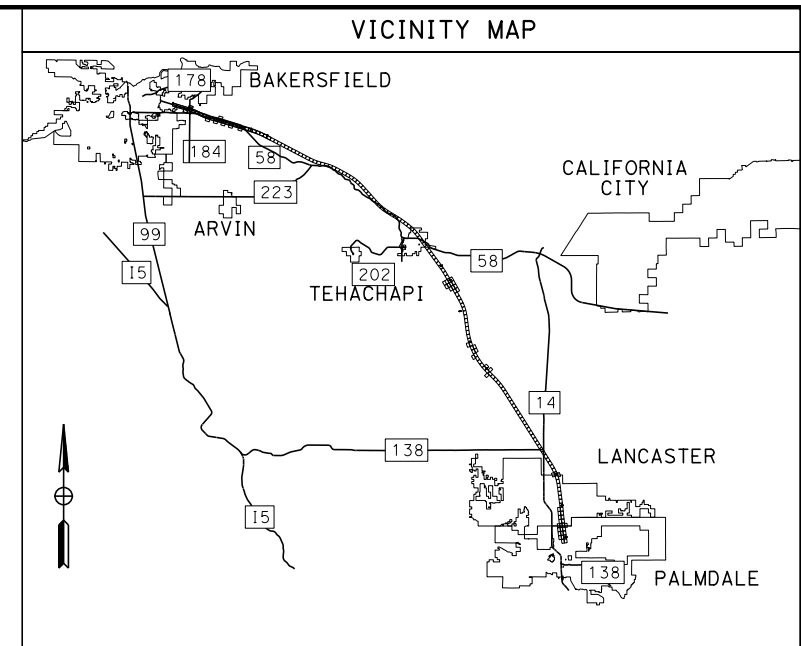
**CALIFORNIA HIGH-SPEED RAIL PROJECT  
BAKERSFIELD TO PALMDALE**

ALTERNATIVE 1  
KEY MAP  
SHEET 7 OF 7

CONTRACT NO.  
HSR13-44  
DRAWING NO.  
UT-B0014  
SCALE  
AS SHOWN  
SHEET NO.



# ALTERNATIVE 2



Projects\701206.00\_CHSRBP\00\_CADD\Sheet Files\UT\BP\UT-B0015.dgn

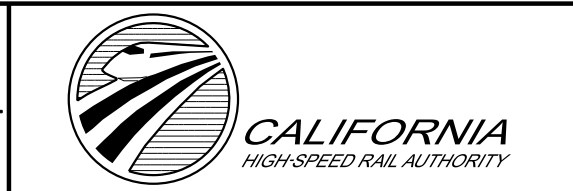
OIC:Adodge 11/7/2017 7:52:28 PM

REV	DATE	BY	CHK	APP	DESCRIPTION

DESIGNED BY  
**D. CONYERS**  
DRAWN BY  
**H. TU**  
CHECKED BY  
**D. ARUTA**  
IN CHARGE  
**S. SMITH**  
DATE  
**10/31/2017**

**RECORD  
PEPD  
SUBMITTAL**

**NOT FOR  
CONSTRUCTION**



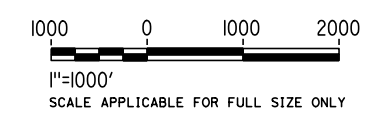
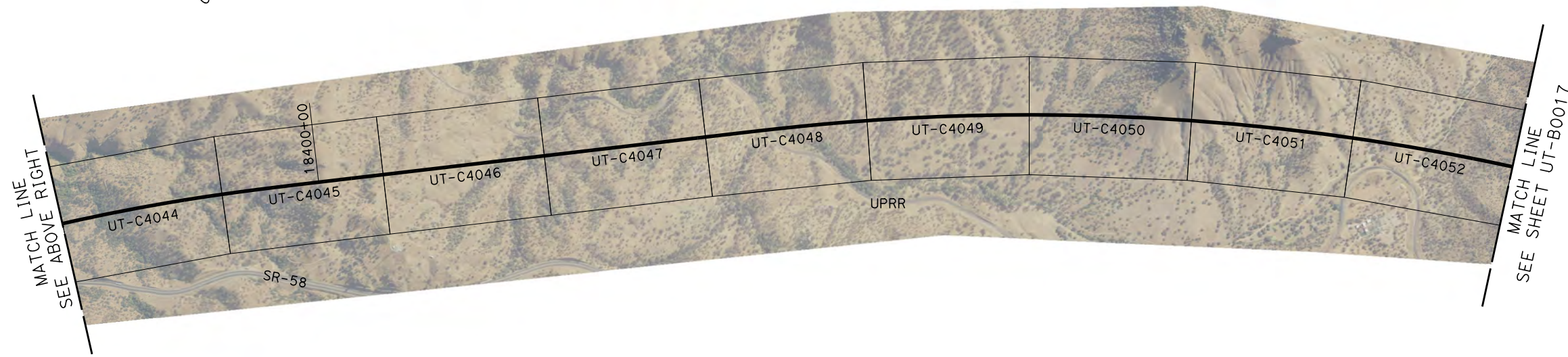
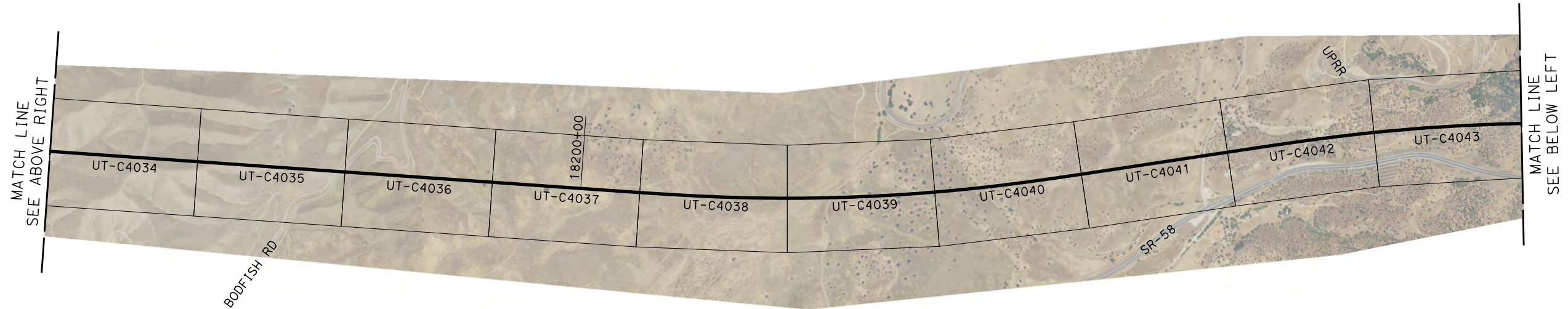
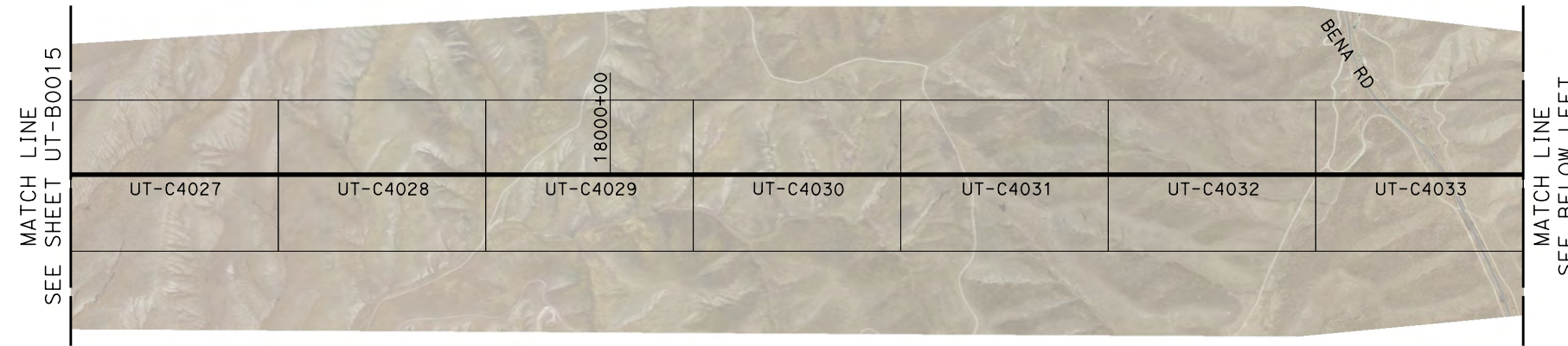
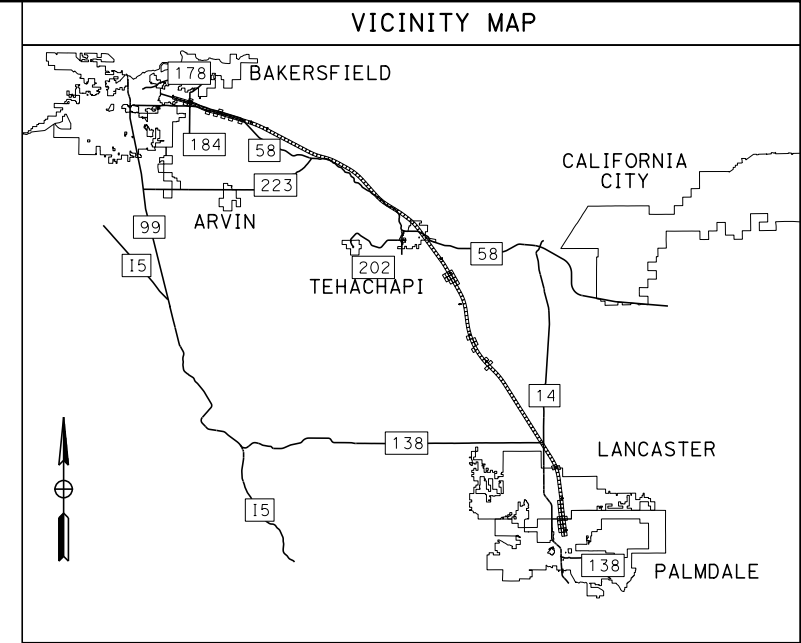
**CALIFORNIA HIGH-SPEED RAIL PROJECT  
BAKERSFIELD TO PALMDALE**

ALTERNATIVE 2  
KEY MAP  
SHEET 1 OF 7

CONTRACT NO.  
**HSR13-44**  
DRAWING NO.  
**UT-B0015**  
SCALE  
**AS SHOWN**  
SHEET NO.



# ALTERNATIVE 2



Projects\701206.00\_CHSRBP\00\_CADD\Sheet Files\UT\BP-UT-B0016.dgn

OIC: Adodge 11/7/2017 7:54:38 PM

REV	DATE	BY	CHK	APP	DESCRIPTION

DESIGNED BY  
**D. CONYERS**  
DRAWN BY  
**H. TU**  
CHECKED BY  
**D. ARUTA**  
IN CHARGE  
**S. SMITH**  
DATE  
**10/31/2017**

**RECORD  
PEPD  
SUBMITTAL**

**NOT FOR  
CONSTRUCTION**



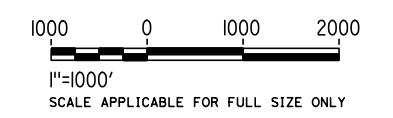
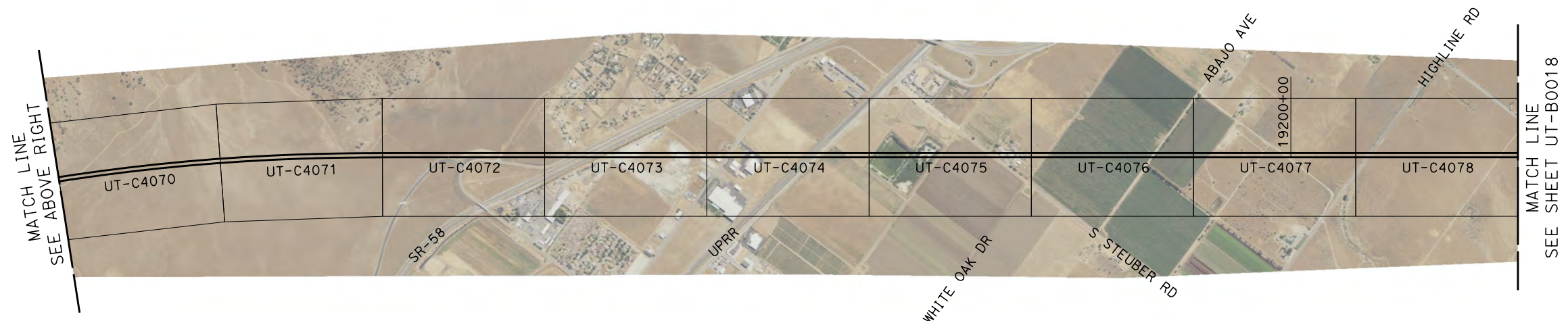
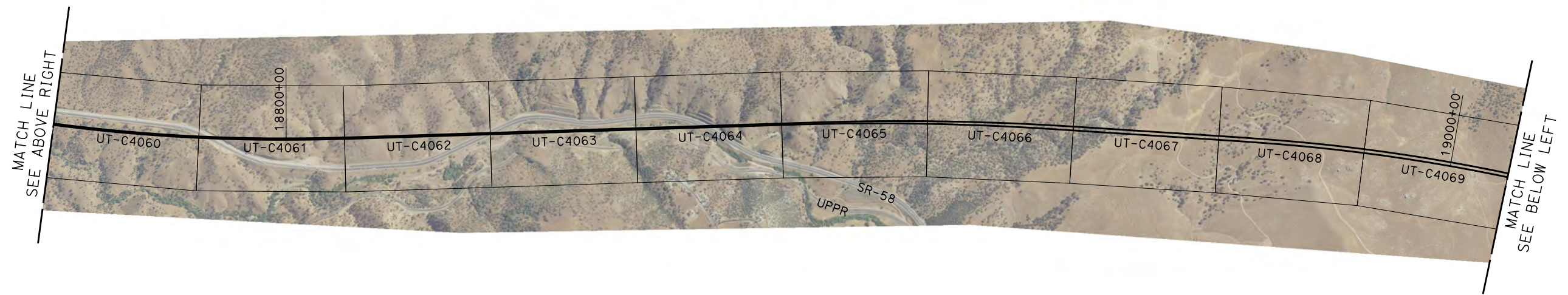
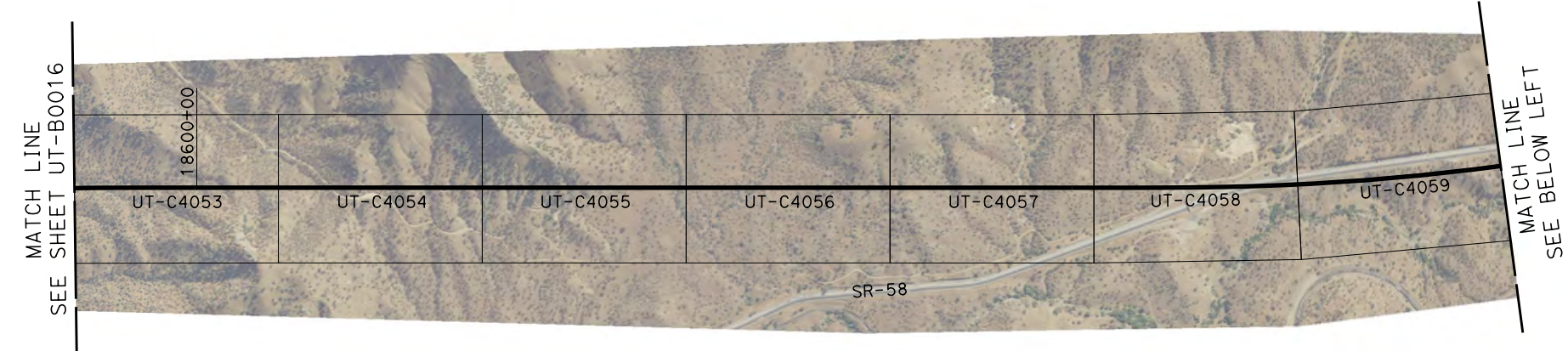
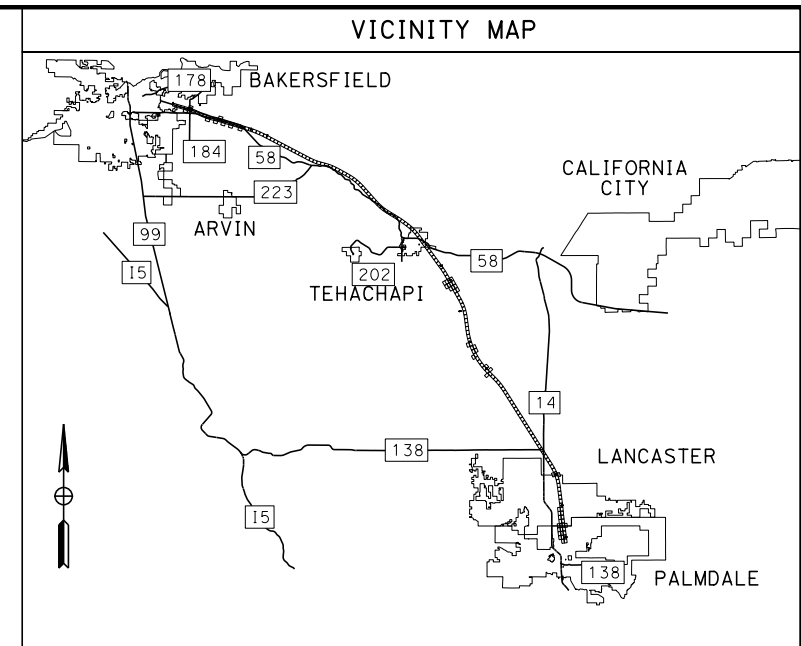
**CALIFORNIA HIGH-SPEED RAIL PROJECT  
BAKERSFIELD TO PALMDALE**

ALTERNATIVE 2  
KEY MAP  
SHEET 2 OF 7

CONTRACT NO.  
HSR13-44  
DRAWING NO.  
UT-B0016  
SCALE  
AS SHOWN  
SHEET NO.



# ALTERNATIVE 2



Projects\701206.00\_CHSRBP\00\_CADD\Sheet Files\UT\BP-UT-B0017.dgn

OIC:Adodge 11/7/2017 7:57:12 PM

REV	DATE	BY	CHK	APP	DESCRIPTION

DESIGNED BY  
**D. CONYERS**

DRAWN BY  
**H. TU**

CHECKED BY  
**D. ARUTA**

IN CHARGE  
**S. SMITH**

DATE  
**10/31/2017**

**RECORD  
PEPD  
SUBMITTAL**

**NOT FOR  
CONSTRUCTION**



**CALIFORNIA HIGH-SPEED RAIL PROJECT  
BAKERSFIELD TO PALMDALE**

ALTERNATIVE 2  
KEY MAP  
SHEET 3 OF 7

CONTRACT NO.  
HSR13-44

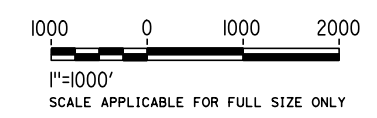
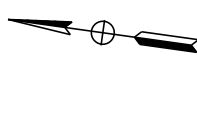
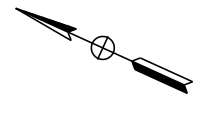
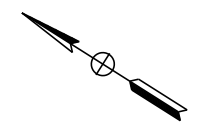
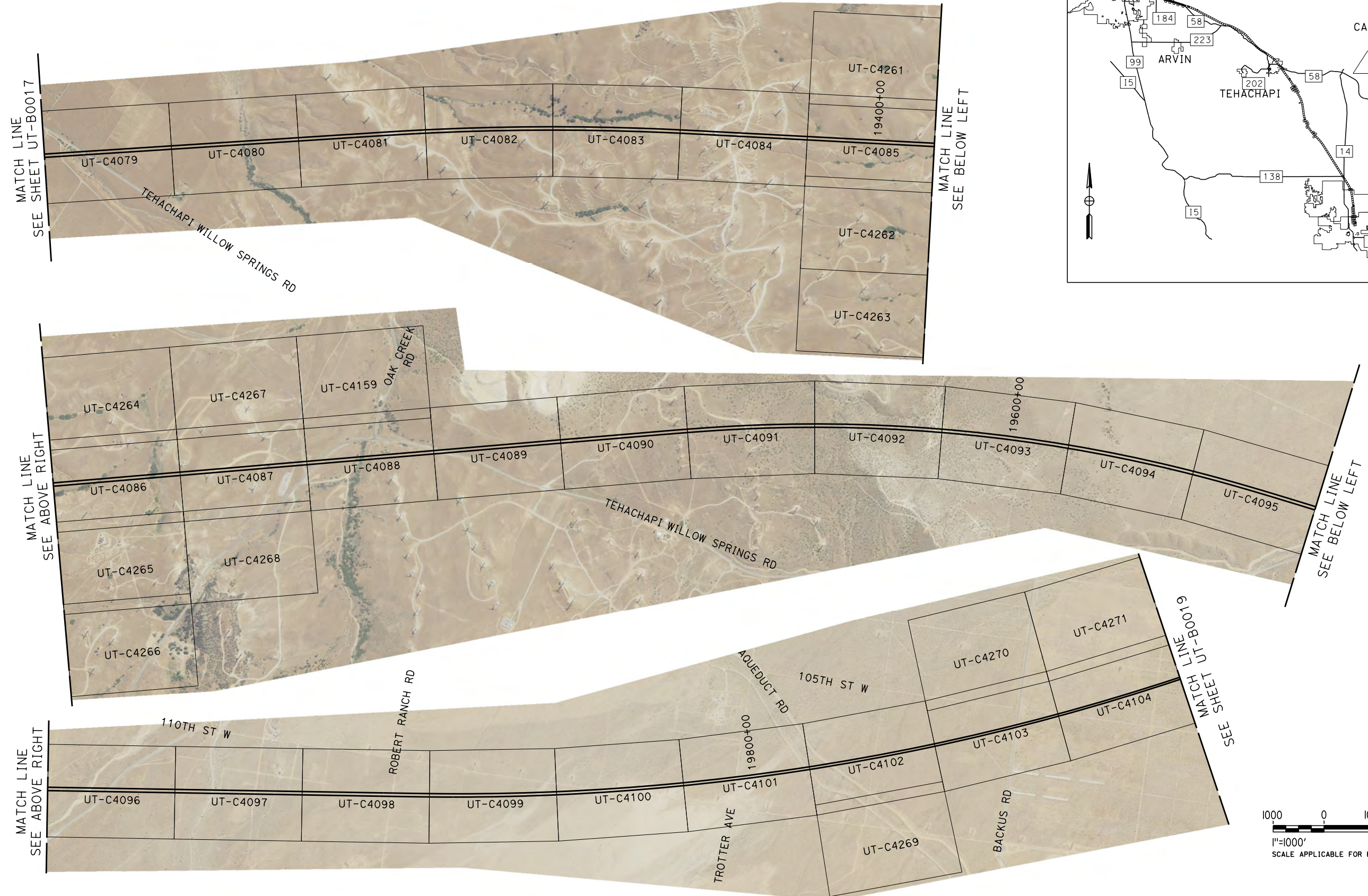
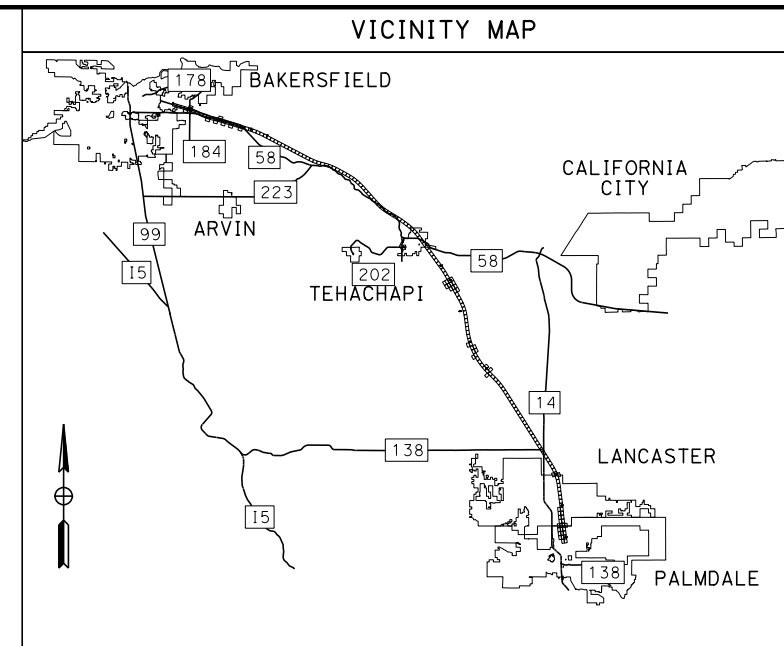
DRAWING NO.  
UT-B0017

SCALE  
AS SHOWN

SHEET NO.



# ALTERNATIVE 2



Projects\701206.00\_CHSRBP\00\_CADD\Sheet Files\UT\BP-UT-B0018.dgn

OIC:Adodge 11/7/2017 7:52:44 PM

REV	DATE	BY	CHK	APP	DESCRIPTION

DESIGNED BY  
**D. CONYERS**

DRAWN BY  
**H. TU**

CHECKED BY  
**D. ARUTA**

IN CHARGE  
**S. SMITH**

DATE  
**10/31/2017**

**RECORD  
PEPD  
SUBMITTAL**

**NOT FOR  
CONSTRUCTION**



**CALIFORNIA HIGH-SPEED RAIL PROJECT  
BAKERSFIELD TO PALMDALE**

ALTERNATIVE 2  
KEY MAP  
SHEET 4 OF 7

CONTRACT NO.  
HSR13-44

DRAWING NO.  
UT-B0018

SCALE  
AS SHOWN

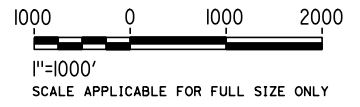
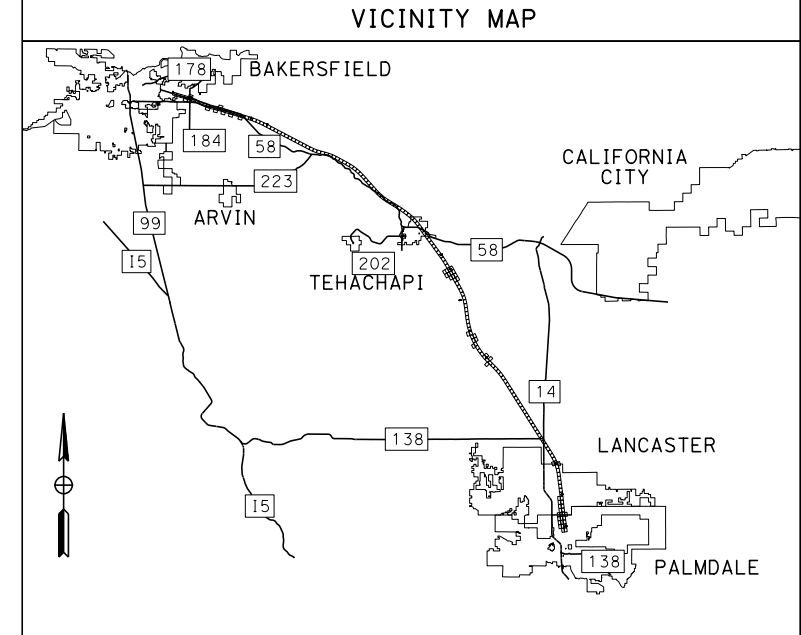
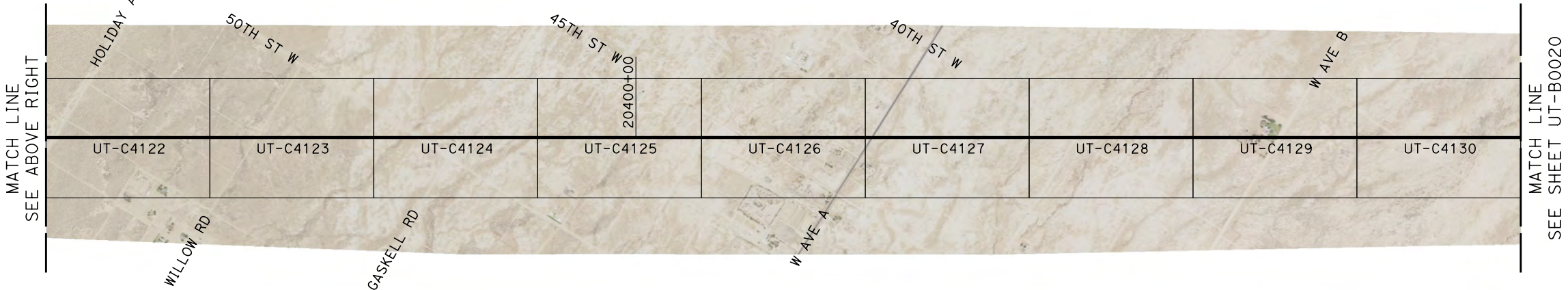
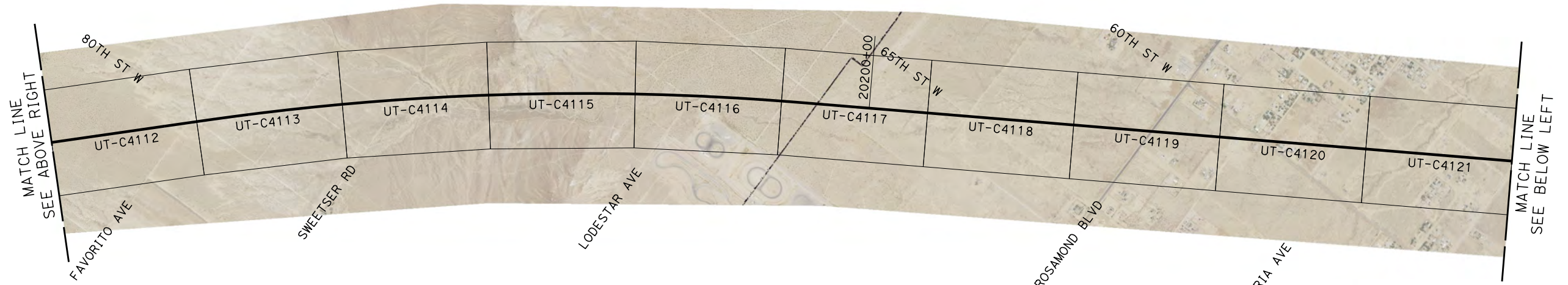
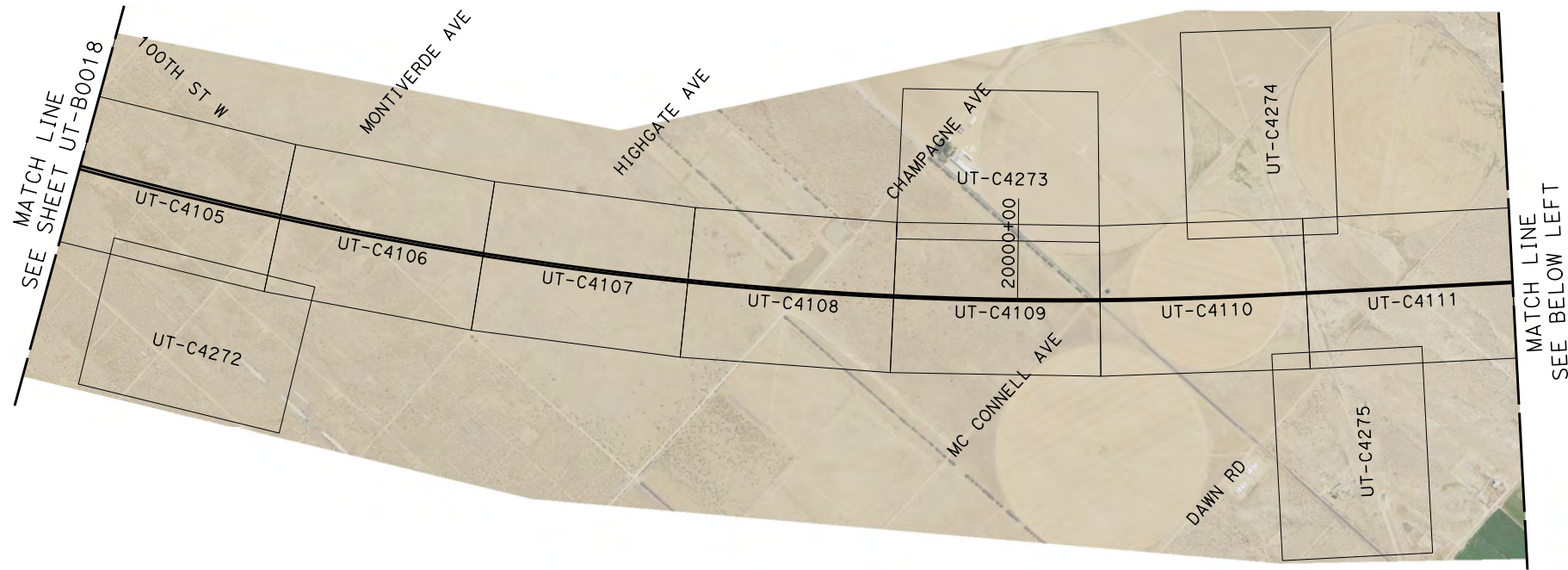
SHEET NO.



Projects\701206\00\_CHSRBP\00\_CADD\Sheet Files\UT\BP-UT-B0019.dgn

OIC:Adodge 11/7/2017 7:51:17 PM

### ALTERNATIVE 2



REV	DATE	BY	CHK	APP	DESCRIPTION

DESIGNED BY  
**D. CONYERS**  
DRAWN BY  
**H. TU**  
CHECKED BY  
**D. ARUTA**  
IN CHARGE  
**S. SMITH**  
DATE  
**10/31/2017**

**RECORD  
PEPD  
SUBMITTAL**

**NOT FOR  
CONSTRUCTION**



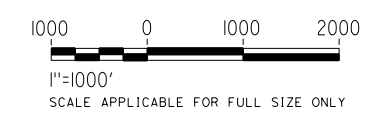
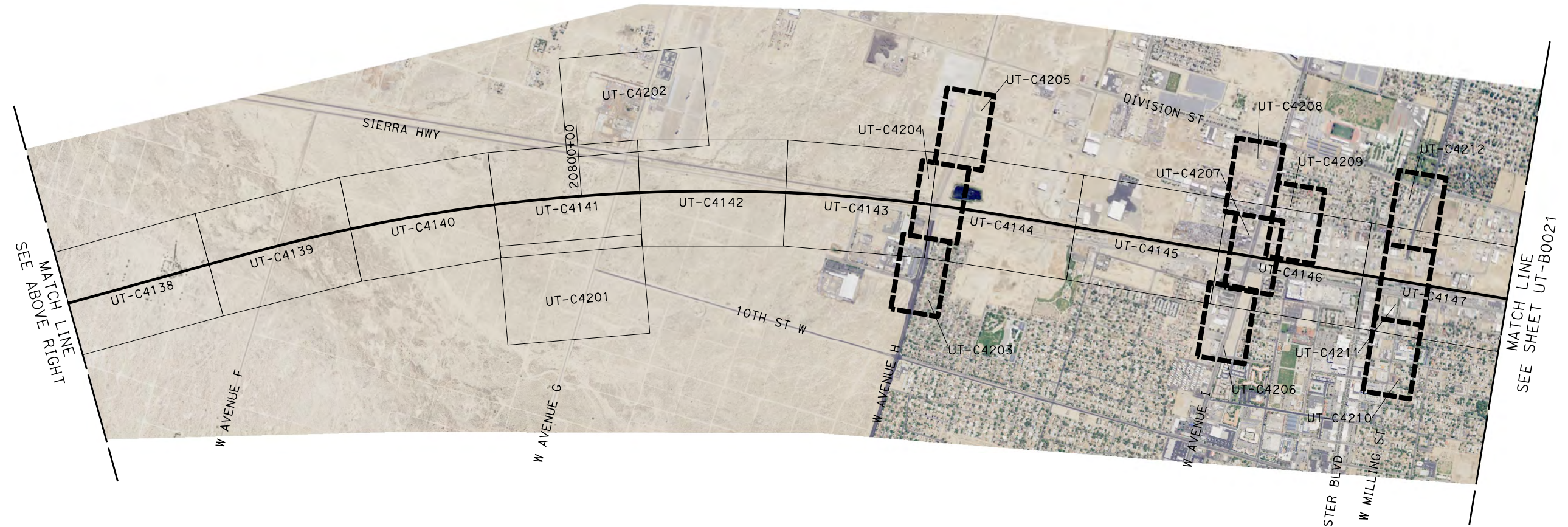
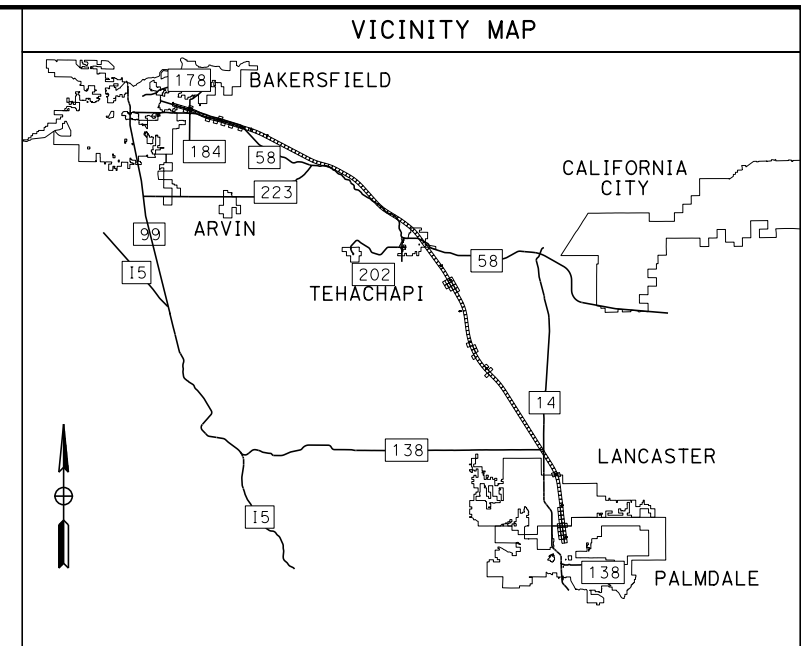
**CALIFORNIA HIGH-SPEED RAIL PROJECT  
BAKERSFIELD TO PALMDALE**

ALTERNATIVE 2  
KEY MAP  
SHEET 5 OF 7

CONTRACT NO.  
HSR13-44  
DRAWING NO.  
UT-B0019  
SCALE  
AS SHOWN  
SHEET NO.



# ALTERNATIVE 2



Projects\701206.00\_CHSRBP\00\_CADD\Sheet Files\UT\BP-UT-B0020.dgn

REV	DATE	BY	CHK	APP	DESCRIPTION

DESIGNED BY  
**D. CONYERS**

DRAWN BY  
**H. TU**

CHECKED BY  
**D. ARUTA**

IN CHARGE  
**S. SMITH**

DATE  
**10/31/2017**

**RECORD  
PEPD  
SUBMITTAL**

**NOT FOR  
CONSTRUCTION**



**CALIFORNIA HIGH-SPEED RAIL PROJECT  
BAKERSFIELD TO PALMDALE**

ALTERNATIVE 2  
KEY MAP  
SHEET 6 OF 7

CONTRACT NO.  
**HSR13-44**

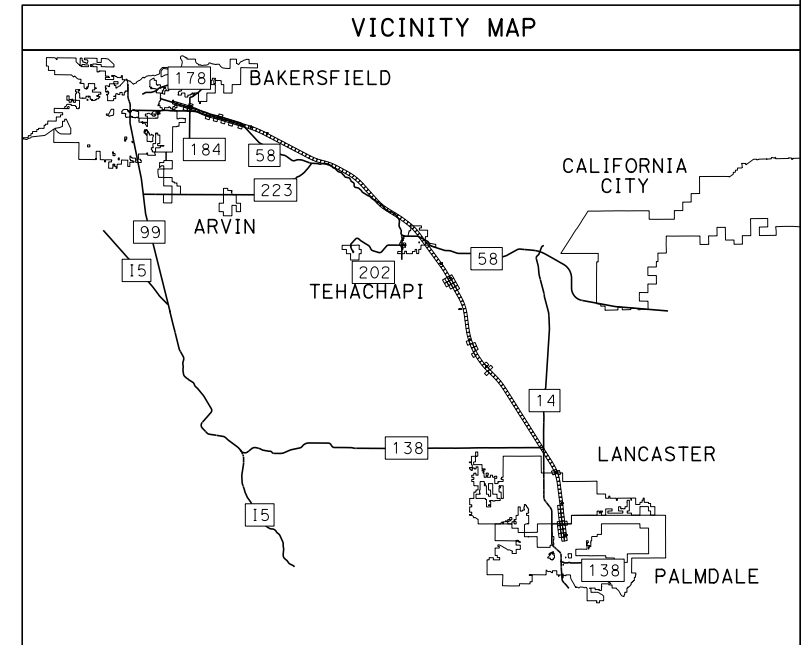
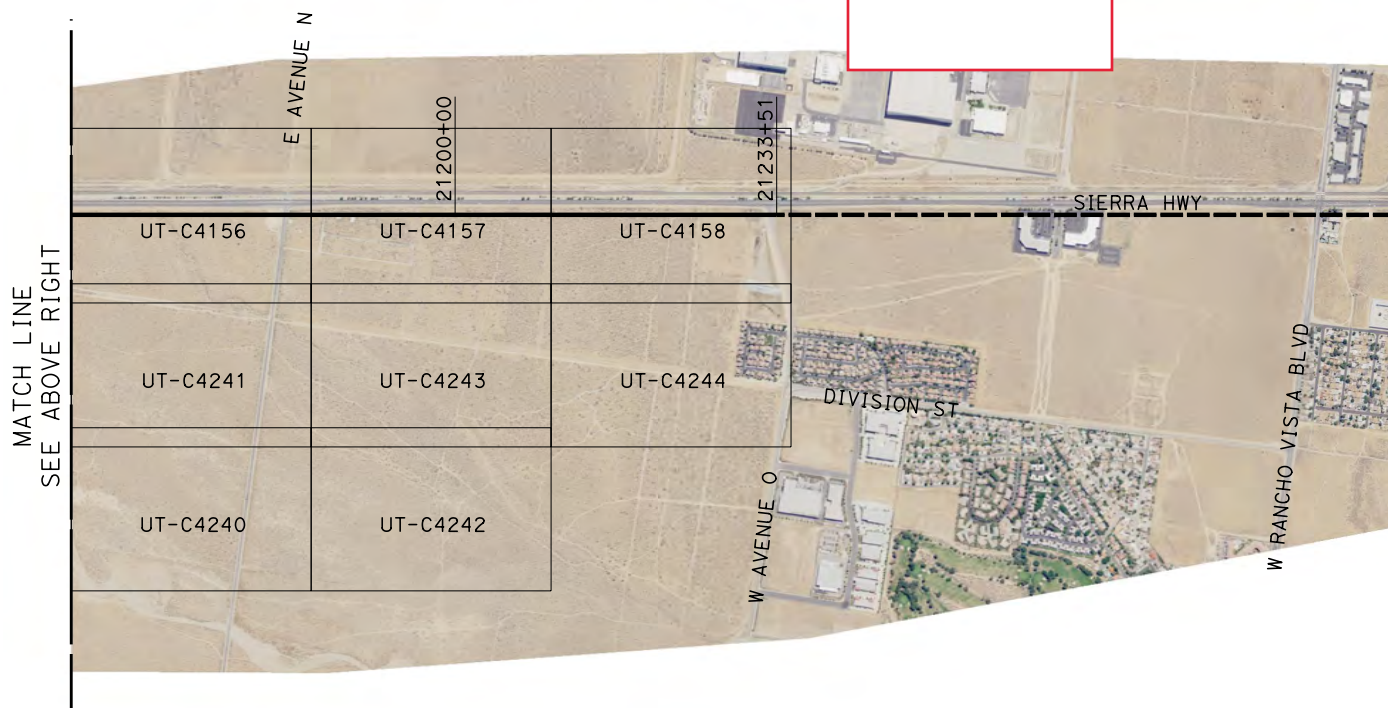
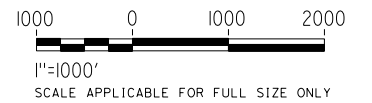
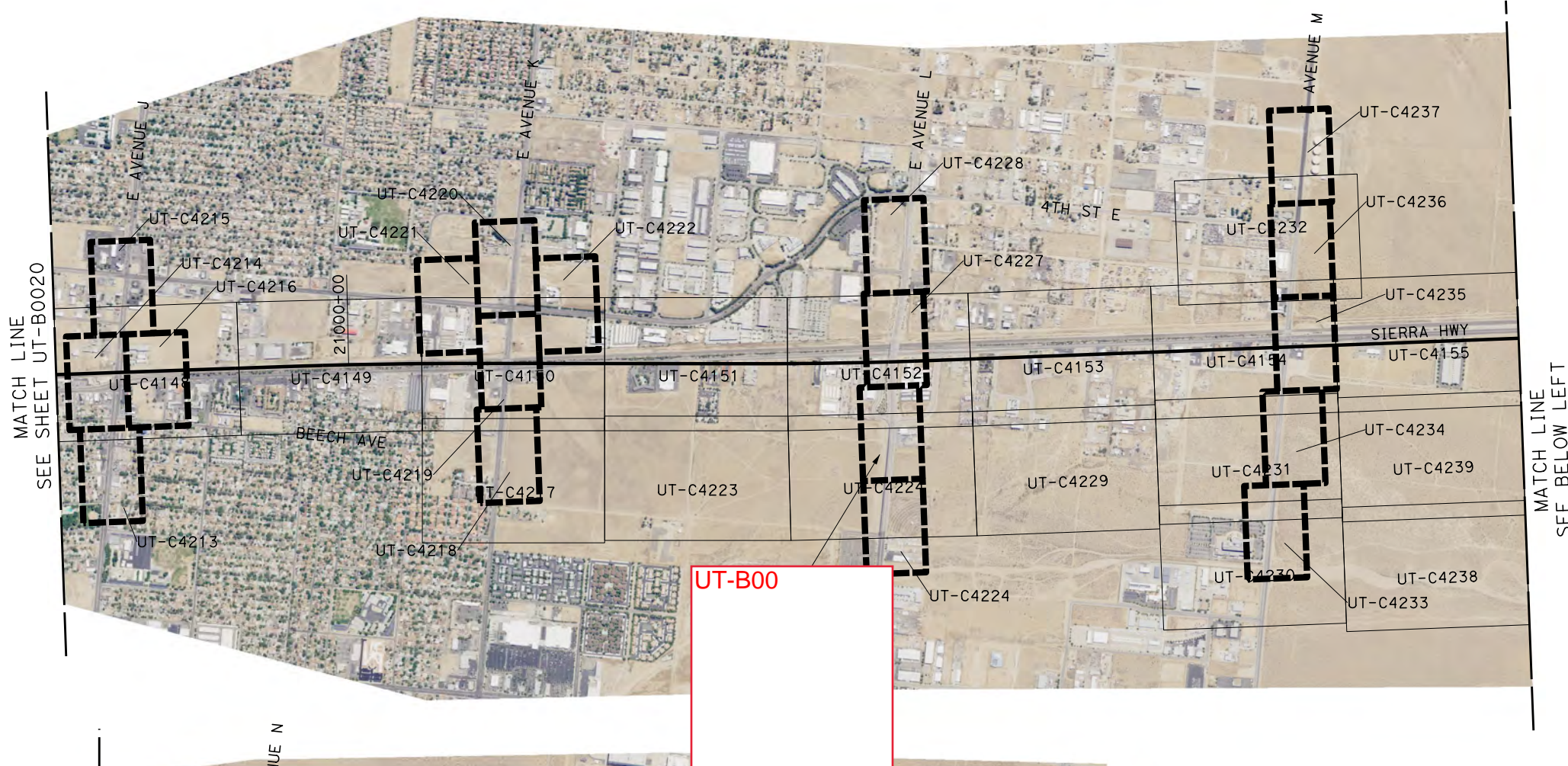
DRAWING NO.  
**UT-B0020**

SCALE  
**AS SHOWN**

SHEET NO.



# ALTERNATIVE 2



Projects\701206.00\_CHSRBP\00\_CADD\Sheet Files\UT\BP-UT-B0021.dgn 11/7/2017 7:57:02 PM OIC..Adodge

REV	DATE	BY	CHK	APP	DESCRIPTION

DESIGNED BY  
**D. CONYERS**

DRAWN BY  
**H. TU**

CHECKED BY  
**D. ARUTA**

IN CHARGE  
**S. SMITH**

DATE  
**10/31/2017**

**RECORD  
PEPD  
SUBMITTAL**

**NOT FOR  
CONSTRUCTION**



**CALIFORNIA HIGH-SPEED RAIL PROJECT  
BAKERSFIELD TO PALMDALE**

ALTERNATIVE 2  
KEY MAP  
SHEET 7 OF 7

CONTRACT NO.  
HSR13-44

DRAWING NO.  
UT-B0021

SCALE  
AS SHOWN

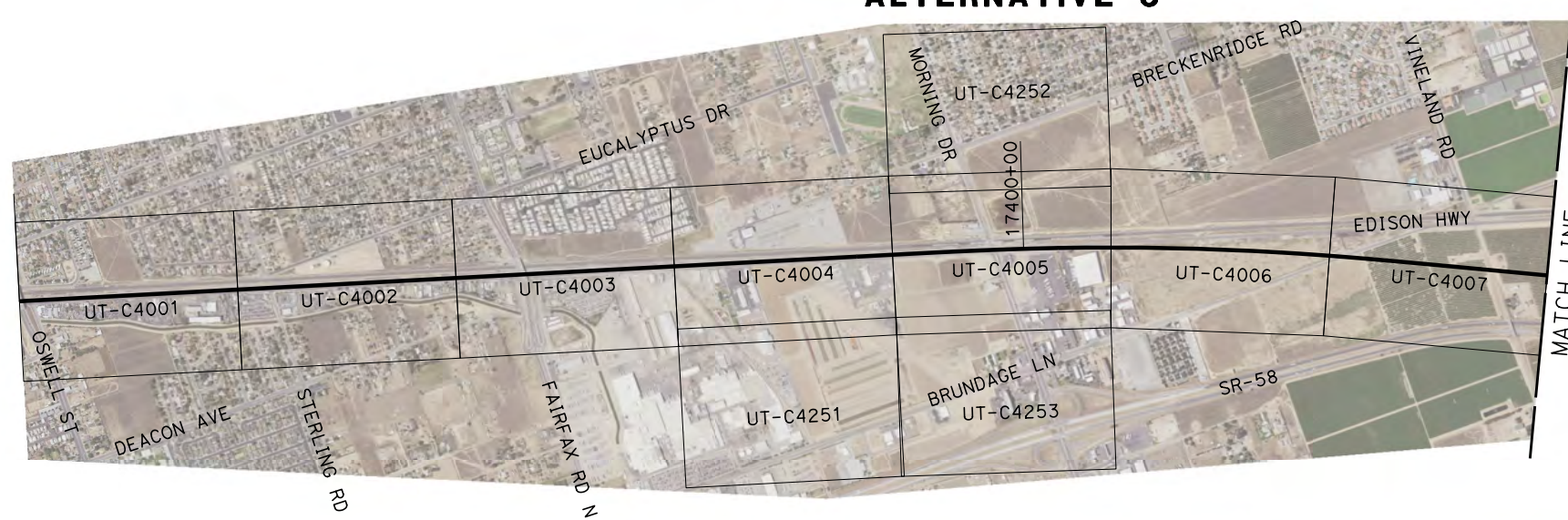
SHEET NO.



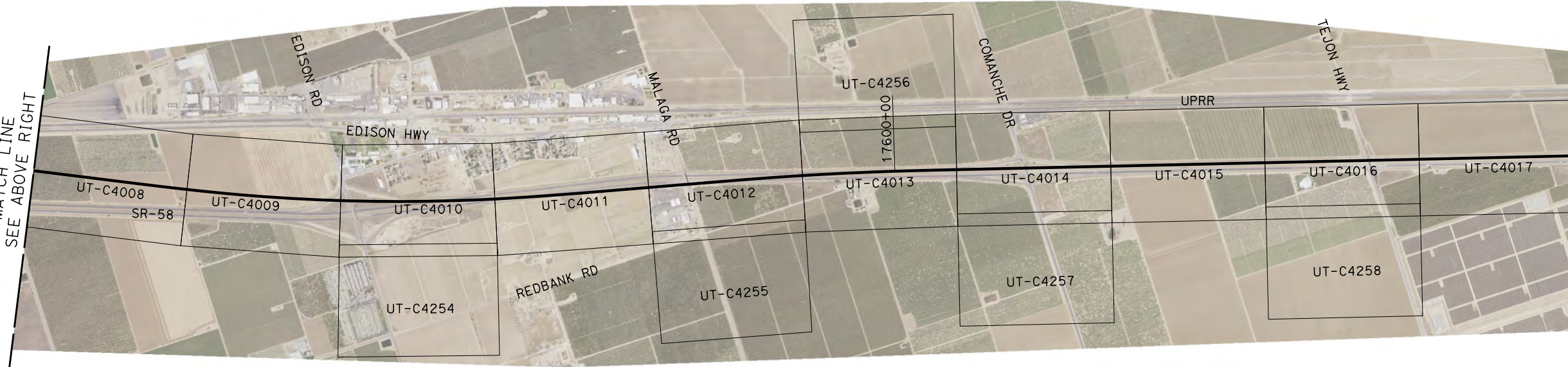
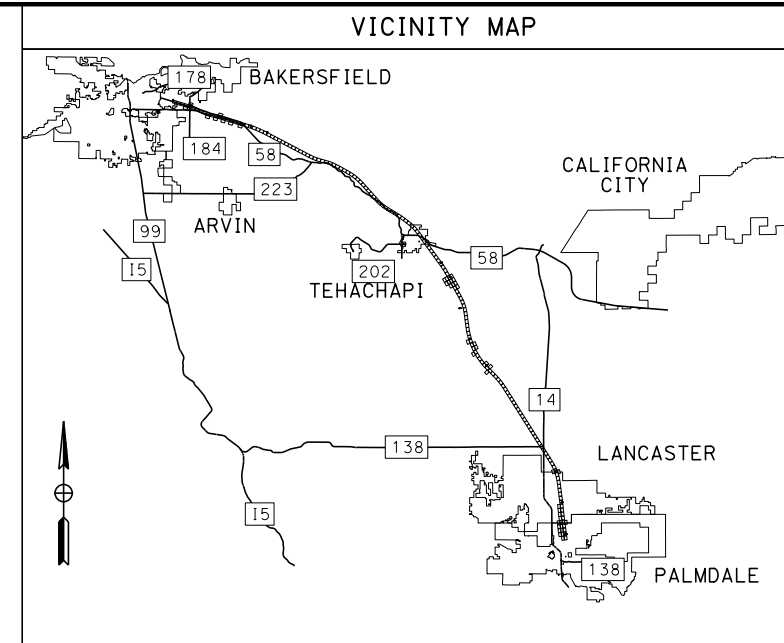
Projects\701206.00\_CHSRBP\00\_CADD\Sheet Files\UT\BP-UT-B0022.dgn

OIC: Adodge 11/7/2017 7:49:37 PM

### ALTERNATIVE 3

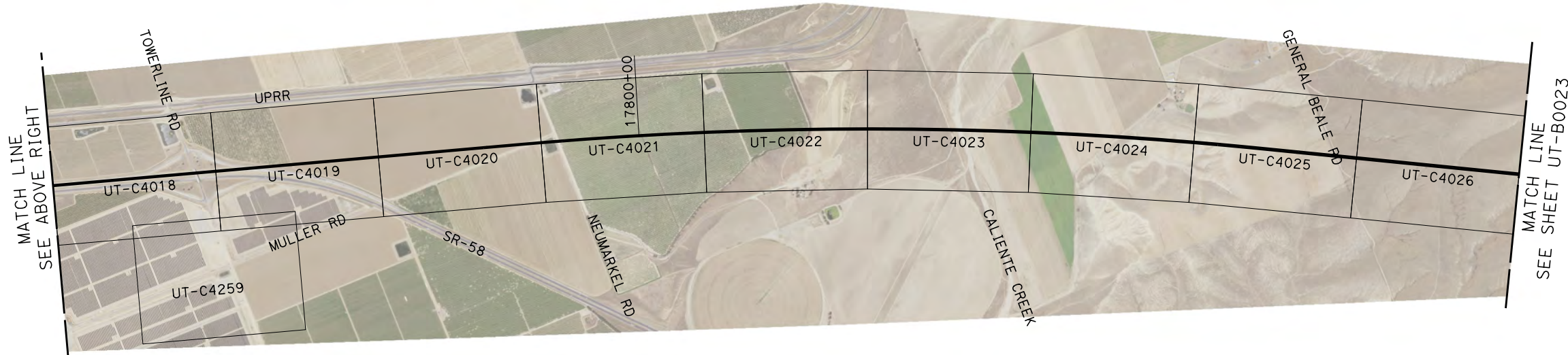


MATCH LINE  
SEE BELOW LEFT



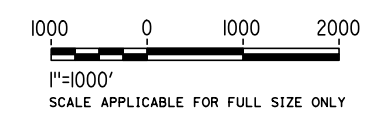
MATCH LINE  
SEE ABOVE RIGHT

MATCH LINE  
SEE BELOW LEFT



MATCH LINE  
SEE ABOVE RIGHT

MATCH LINE  
SEE SHEET UT-B0023



REV	DATE	BY	CHK	APP	DESCRIPTION

DESIGNED BY  
**D. CONYERS**  
DRAWN BY  
**H. TU**  
CHECKED BY  
**D. ARUTA**  
IN CHARGE  
**S. SMITH**  
DATE  
**10/31/2017**

**RECORD  
PEPD  
SUBMITTAL**

**NOT FOR  
CONSTRUCTION**



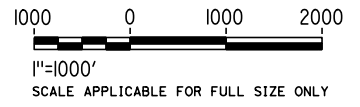
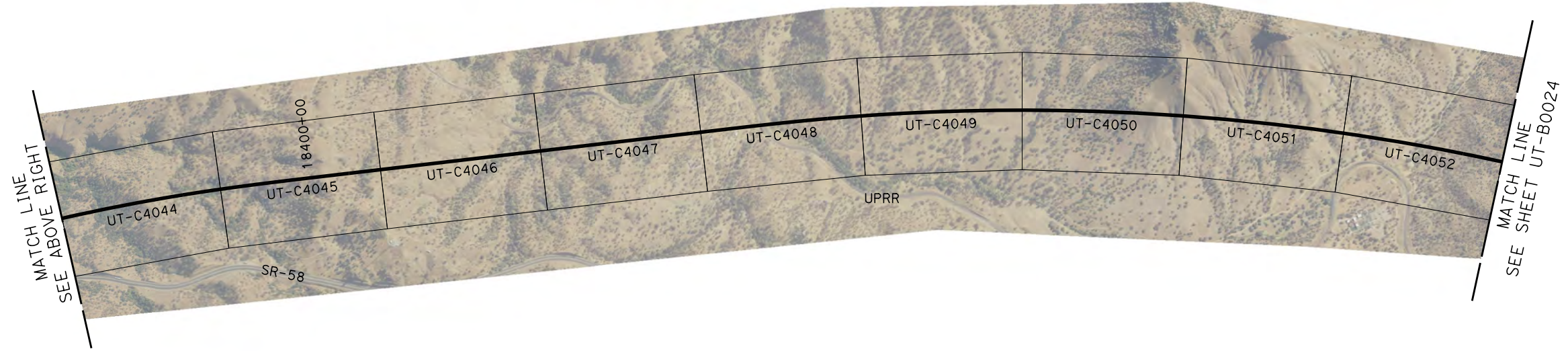
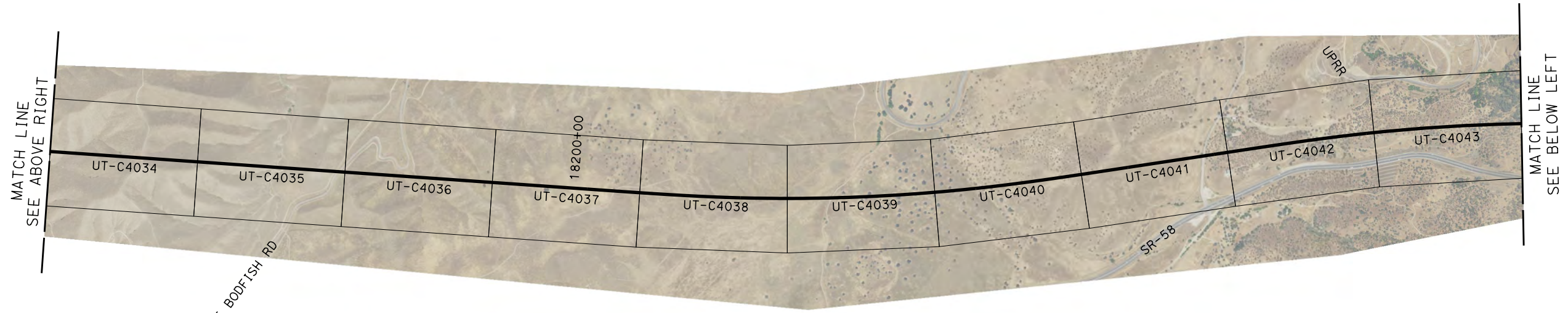
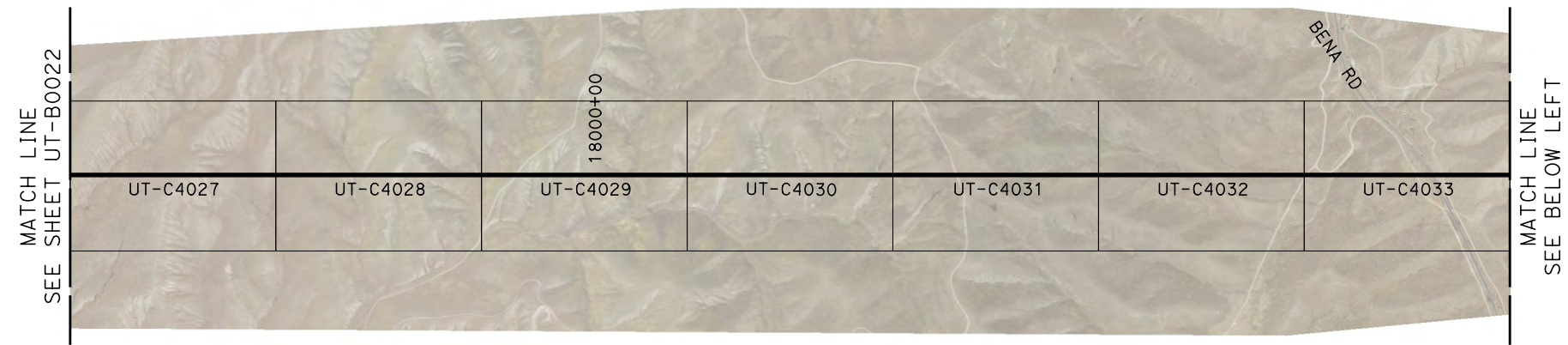
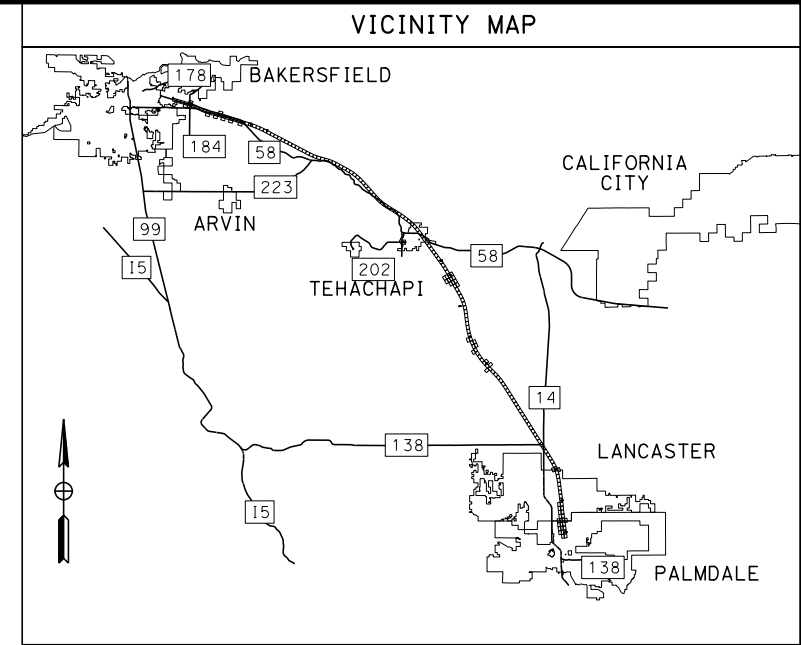
**CALIFORNIA HIGH-SPEED RAIL PROJECT  
BAKERSFIELD TO PALMDALE**

ALTERNATIVE 3  
KEY MAP  
SHEET 1 OF 7

CONTRACT NO.  
HSR13-44  
DRAWING NO.  
UT-B0022  
SCALE  
AS SHOWN  
SHEET NO.



# ALTERNATIVE 3



Projects\701206.00\_CHSRBP\00\_CADD\Sheet Files\UT\BP-UT-B0023.dgn

OIC:Adodge 11/7/2017 7:54:26 PM

REV	DATE	BY	CHK	APP	DESCRIPTION

DESIGNED BY  
**D. CONYERS**

DRAWN BY  
**H. TU**

CHECKED BY  
**D. ARUTA**

IN CHARGE  
**S. SMITH**

DATE  
**10/31/2017**

**RECORD  
PEPD  
SUBMITTAL**

**NOT FOR  
CONSTRUCTION**



**CALIFORNIA HIGH-SPEED RAIL PROJECT  
BAKERSFIELD TO PALMDALE**

ALTERNATIVE 3  
KEY MAP  
SHEET 2 OF 7

CONTRACT NO.  
HSR13-44

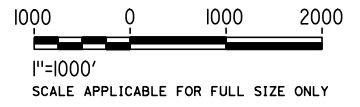
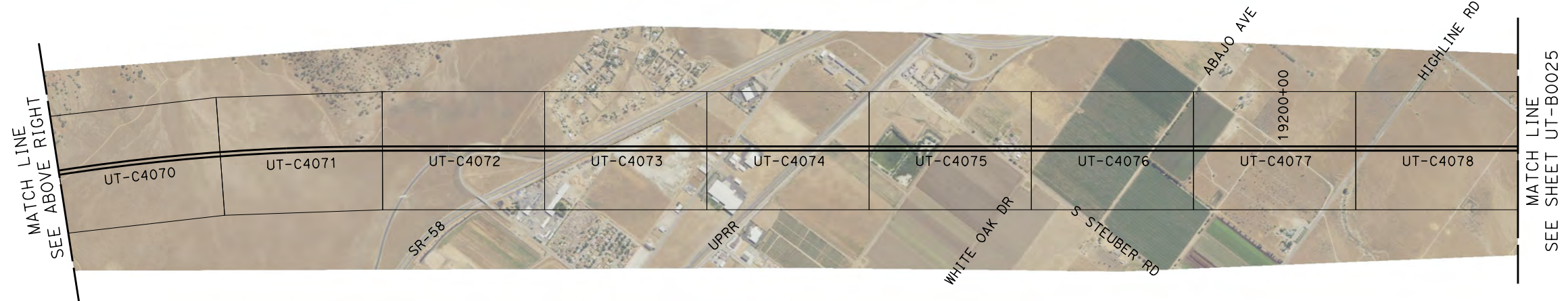
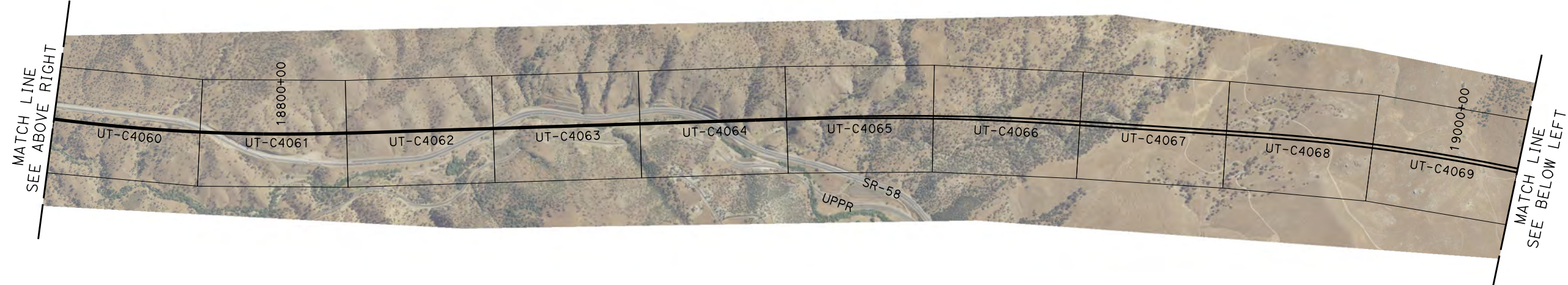
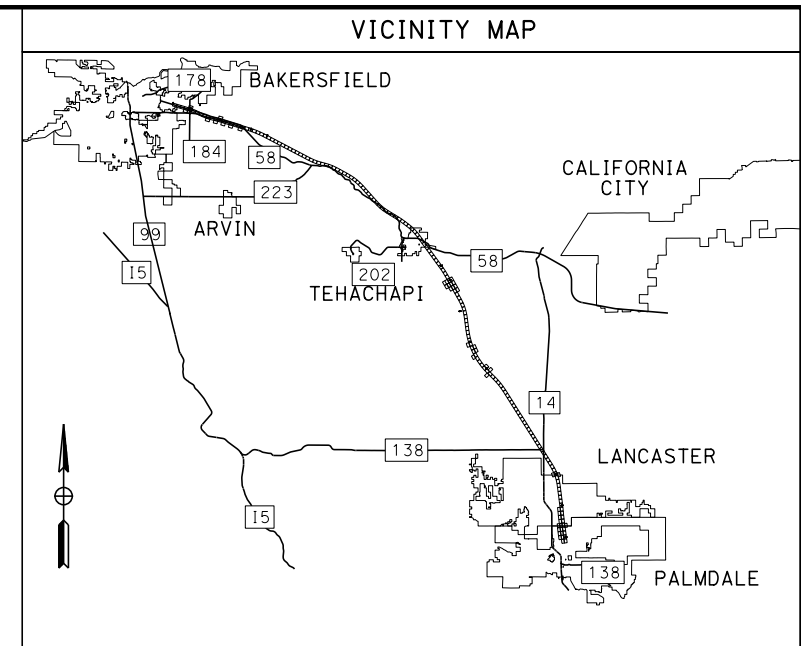
DRAWING NO.  
UT-B0023

SCALE  
AS SHOWN

SHEET NO.



# ALTERNATIVE 3



Projects\701206.00\_CHSRBP\00\_CADD\Sheet Files\UT\BP-UT-B0024.dgn

OIC:Adodge 11/7/2017 7:55:54 PM

REV	DATE	BY	CHK	APP	DESCRIPTION

DESIGNED BY  
**D. CONYERS**

DRAWN BY  
**H. TU**

CHECKED BY  
**D. ARUTA**

IN CHARGE  
**S. SMITH**

DATE  
**10/31/2017**

**RECORD  
PEPD  
SUBMITTAL**

**NOT FOR  
CONSTRUCTION**



**CALIFORNIA HIGH-SPEED RAIL PROJECT  
BAKERSFIELD TO PALMDALE**

ALTERNATIVE 3  
KEY MAP  
SHEET 3 OF 7

CONTRACT NO.  
**HSR13-44**

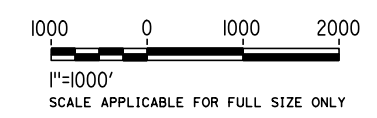
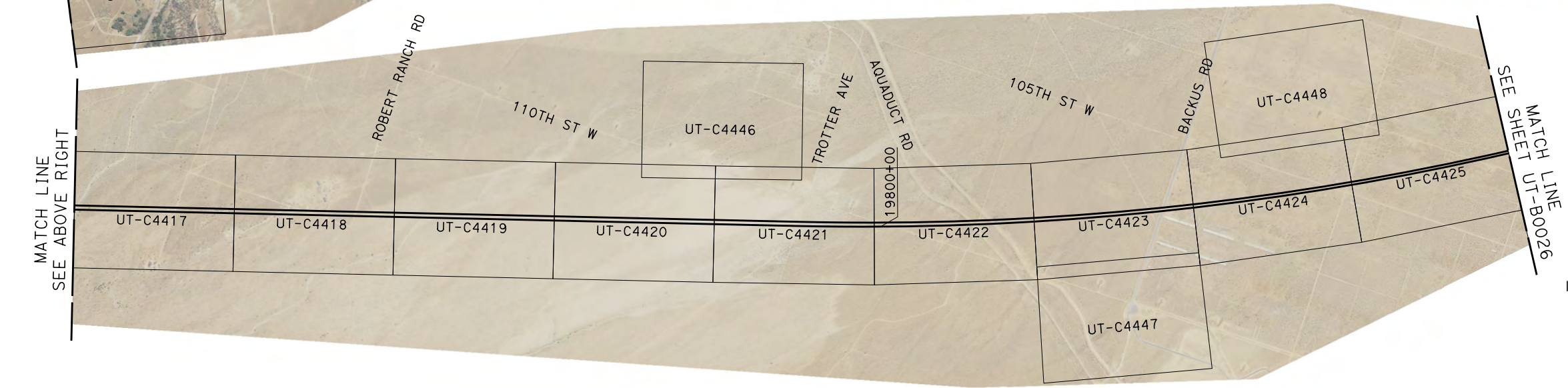
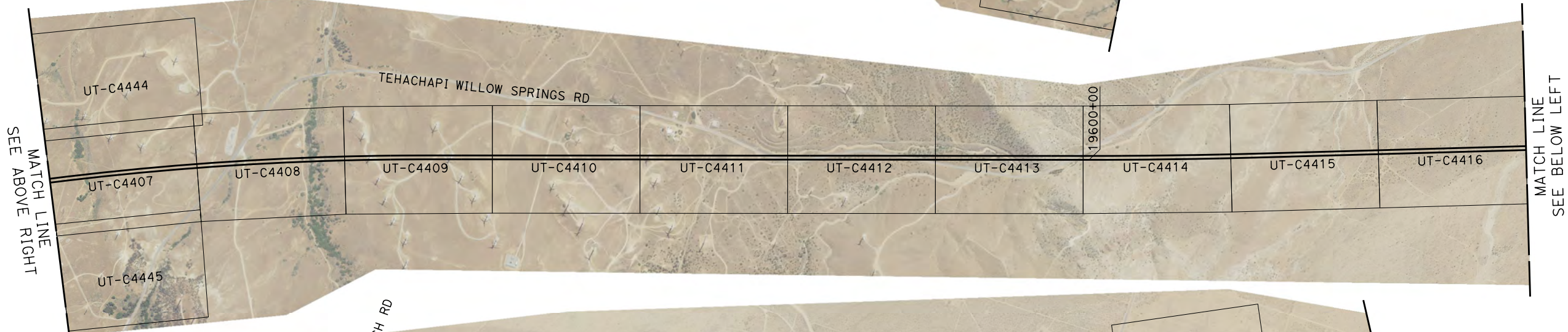
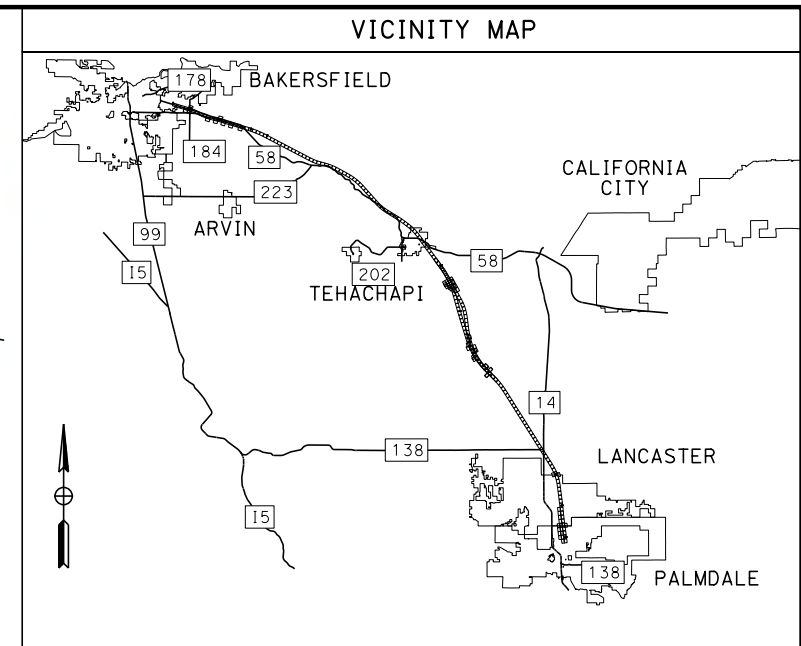
DRAWING NO.  
**UT-B0024**

SCALE  
**AS SHOWN**

SHEET NO.



# ALTERNATIVE 3



Projects\701206.00\_CHSRBP\00\_CADD\Sheet Files\UT\BP-UT-B0025.dgn

OIC:Adodge 11/7/2017 7:57:11 PM

REV	DATE	BY	CHK	APP	DESCRIPTION

DESIGNED BY  
**D. CONYERS**  
DRAWN BY  
**H. TU**  
CHECKED BY  
**D. ARUTA**  
IN CHARGE  
**S. SMITH**  
DATE  
**10/31/2017**

**RECORD  
PEPD  
SUBMITTAL**

**NOT FOR  
CONSTRUCTION**



**CALIFORNIA HIGH-SPEED RAIL PROJECT  
BAKERSFIELD TO PALMDALE**

ALTERNATIVE 3  
KEY MAP  
SHEET 4 OF 7

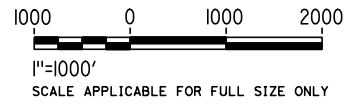
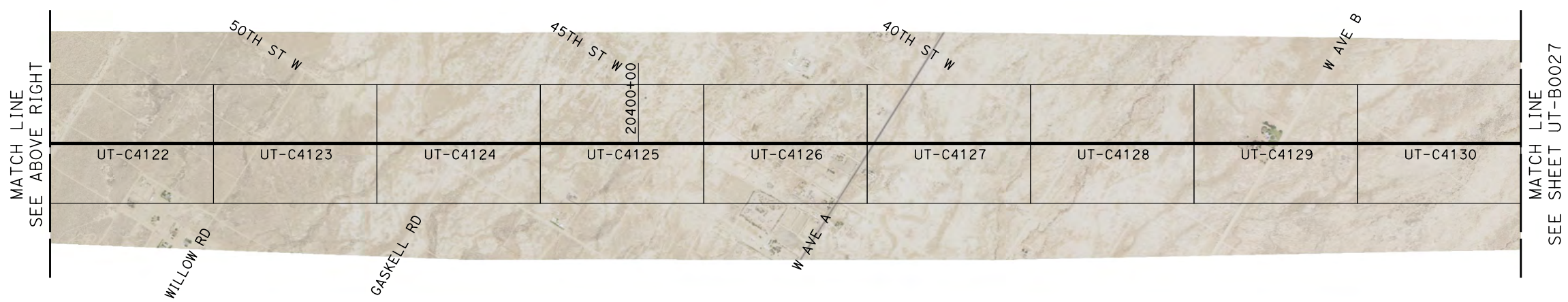
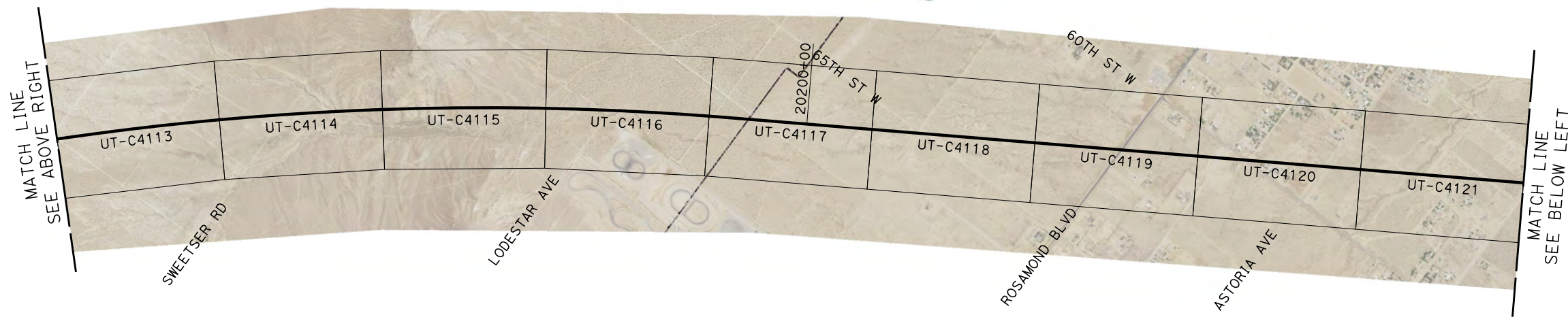
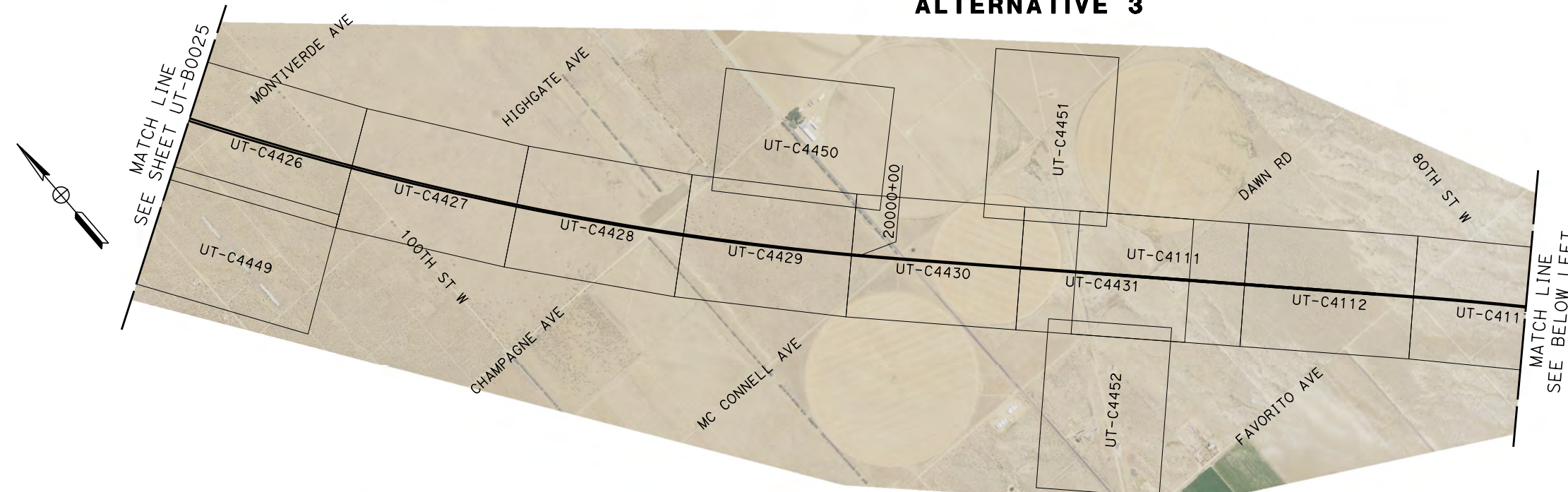
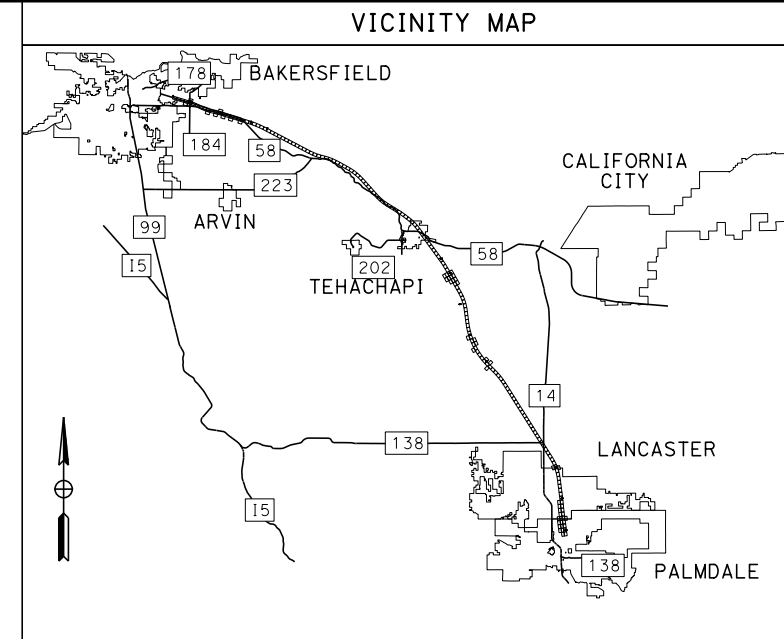
CONTRACT NO.  
HSR13-44  
DRAWING NO.  
UT-B0025  
SCALE  
AS SHOWN  
SHEET NO.



Projects\701206.00\_CHSRBP\00\_CADD\Sheet Files\UT\BP-UT-B0026.dgn

OIC:Adodge 11/7/2017 7:51:19 PM

# ALTERNATIVE 3



REV	DATE	BY	CHK	APP	DESCRIPTION

DESIGNED BY  
**D. CONYERS**  
DRAWN BY  
**H. TU**  
CHECKED BY  
**D. ARUTA**  
IN CHARGE  
**S. SMITH**  
DATE  
**10/31/2017**

**RECORD  
PEPD  
SUBMITTAL**

**NOT FOR  
CONSTRUCTION**



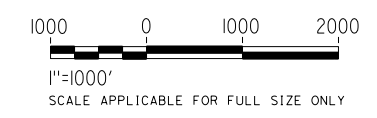
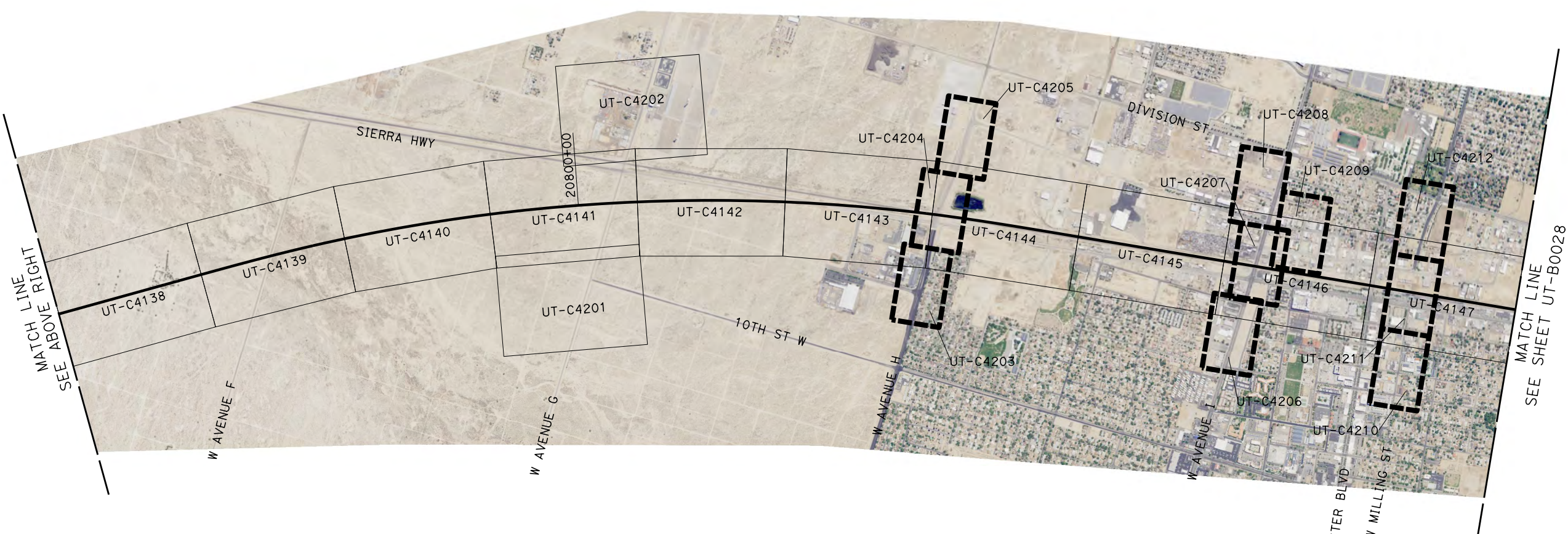
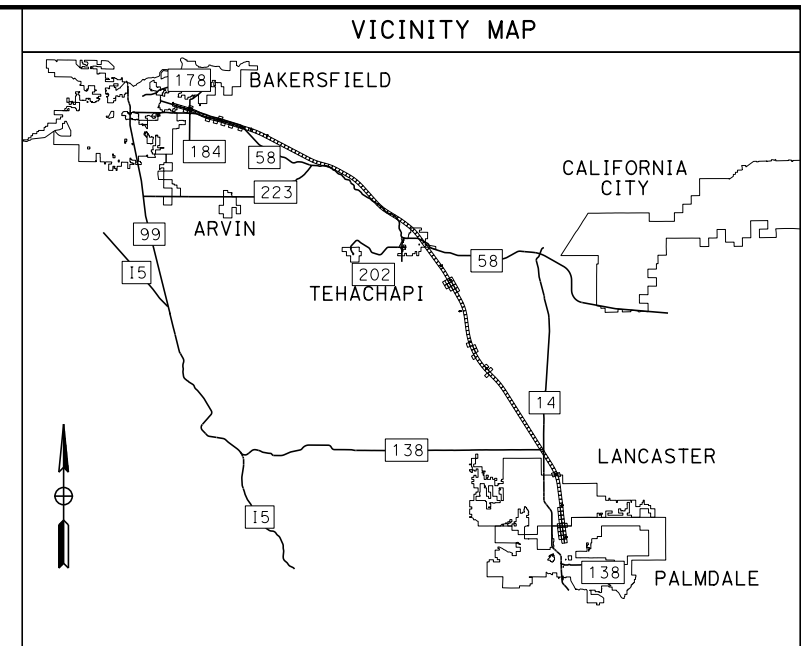
**CALIFORNIA HIGH-SPEED RAIL PROJECT  
BAKERSFIELD TO PALMDALE**

ALTERNATIVE 3  
KEY MAP  
SHEET 5 OF 7

CONTRACT NO.  
HSR13-44  
DRAWING NO.  
UT-B0026  
SCALE  
AS SHOWN  
SHEET NO.



# ALTERNATIVE 3



Projects\701206.00\_CHSRBP\00\_CADD\Sheet Files\UT\BP-UT-B0027.dgn

OIC:ADodge 11/7/2017 7:51:33 PM

REV	DATE	BY	CHK	APP	DESCRIPTION

DESIGNED BY  
**D. CONYERS**

DRAWN BY  
**H. TU**

CHECKED BY  
**D. ARUTA**

IN CHARGE  
**S. SMITH**

DATE  
**10/31/2017**

**RECORD  
PEPD  
SUBMITTAL**

**NOT FOR  
CONSTRUCTION**



**CALIFORNIA HIGH-SPEED RAIL PROJECT  
BAKERSFIELD TO PALMDALE**

ALTERNATIVE 3  
KEY MAP  
SHEET 6 OF 7

CONTRACT NO.  
**HSR13-44**

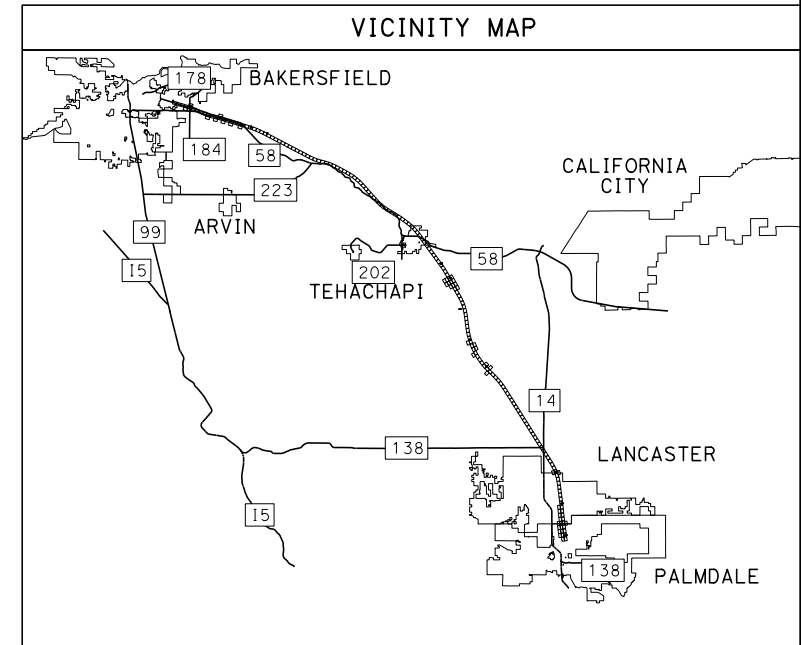
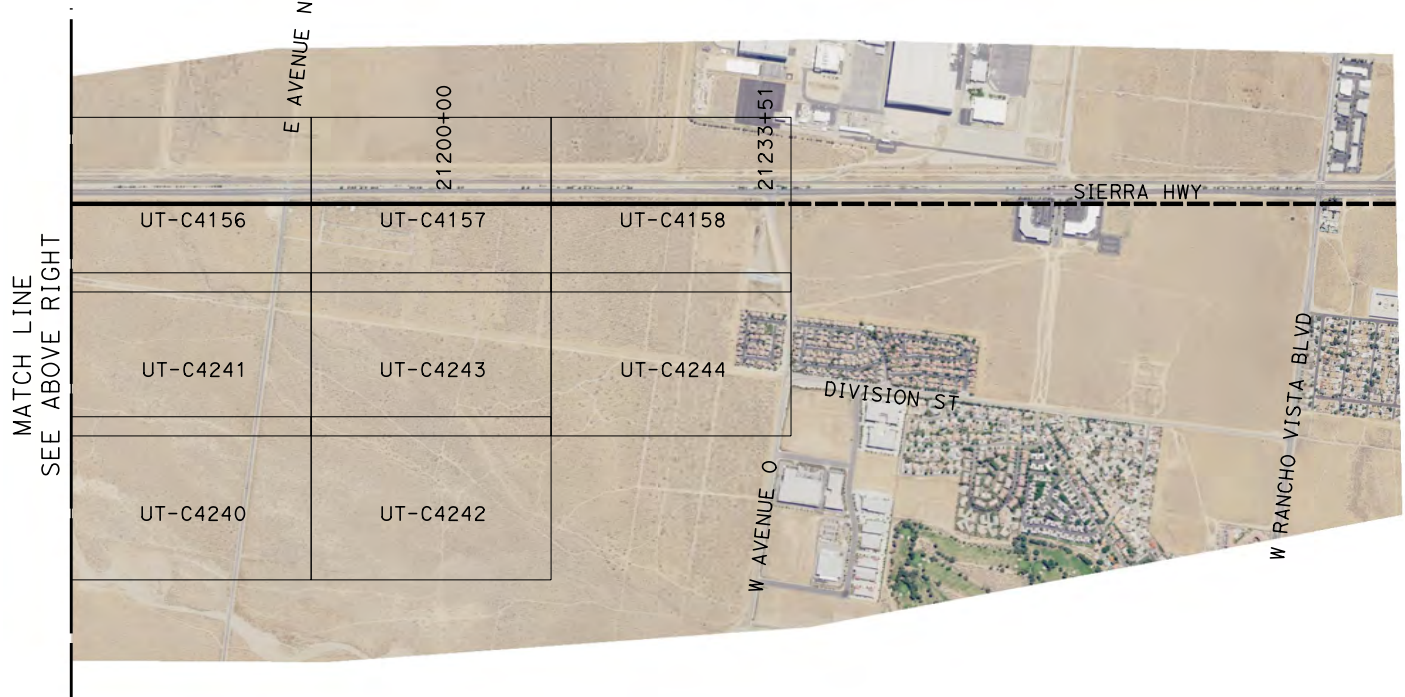
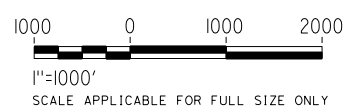
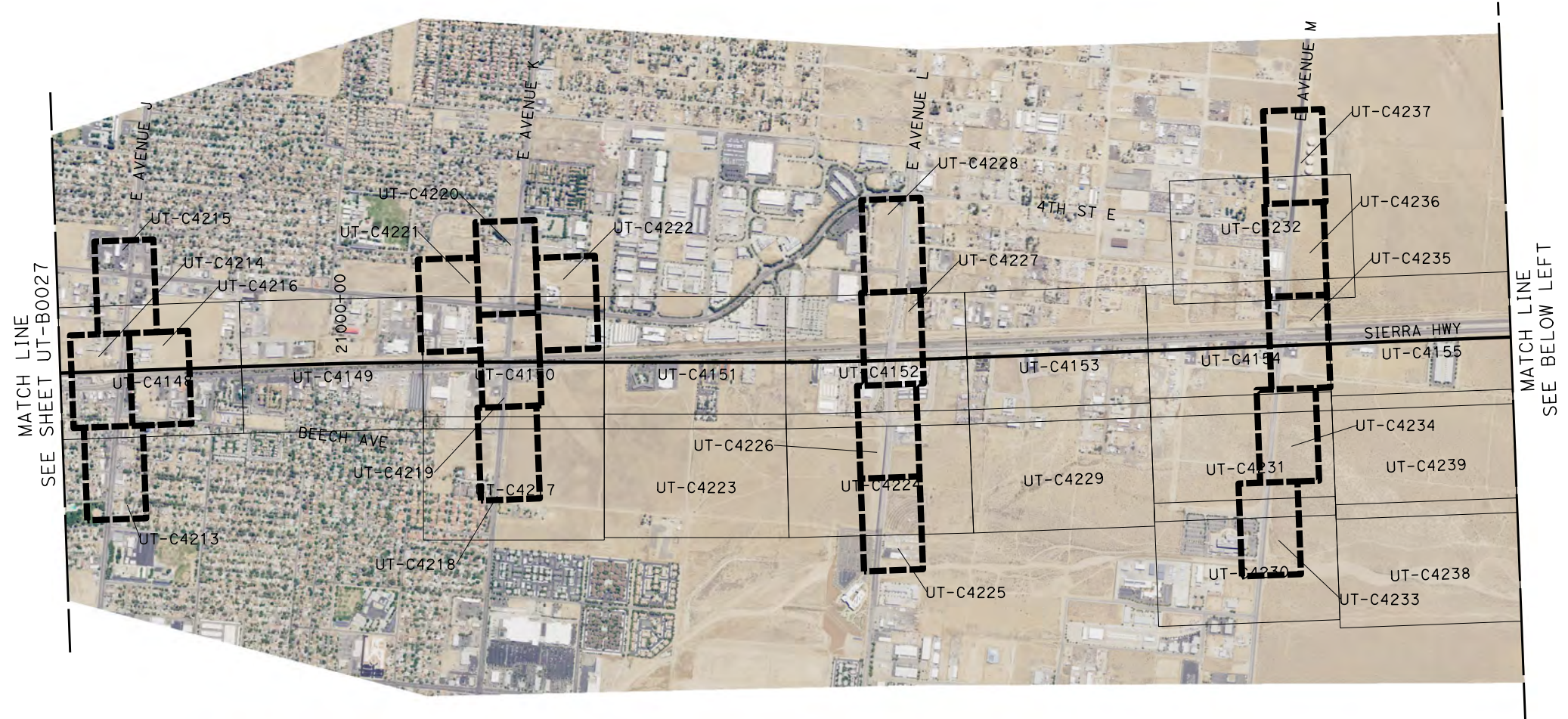
DRAWING NO.  
**UT-B0027**

SCALE  
**AS SHOWN**

SHEET NO.



# ALTERNATIVE 3



Projects\701206.00\_CHSRBP\00\_CADD\Sheet Files\UT\BP-UT-B0028.dgn

REV	DATE	BY	CHK	APP	DESCRIPTION

DESIGNED BY  
**D. CONYERS**

DRAWN BY  
**H. TU**

CHECKED BY  
**D. ARUTA**

IN CHARGE  
**S. SMITH**

DATE  
**10/31/2017**

**RECORD  
PEPD  
SUBMITTAL**

**NOT FOR  
CONSTRUCTION**



**CALIFORNIA HIGH-SPEED RAIL PROJECT  
BAKERSFIELD TO PALMDALE**

ALTERNATIVE 3  
KEY MAP  
SHEET 7 OF 7

CONTRACT NO.  
HSR13-44

DRAWING NO.  
UT-B0028

SCALE  
AS SHOWN

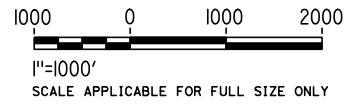
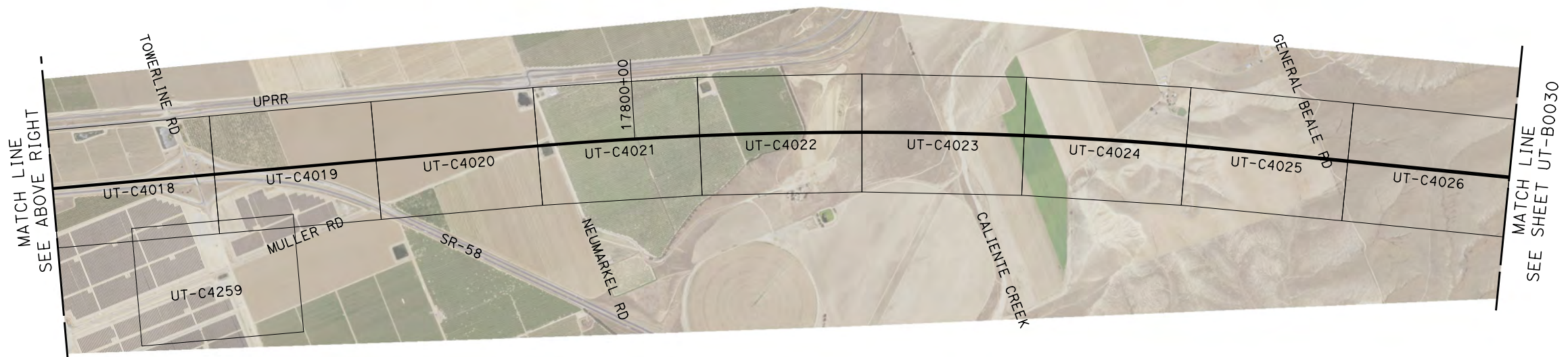
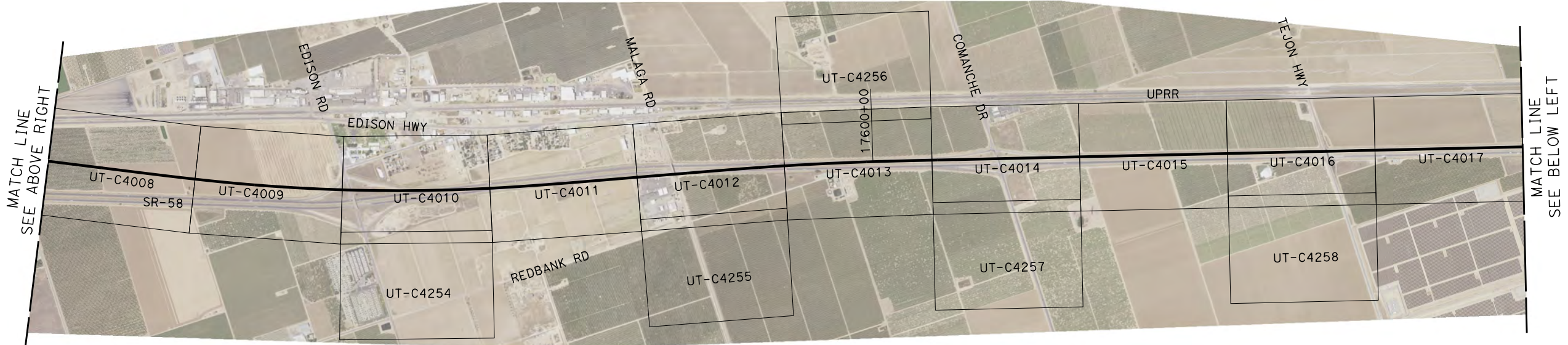
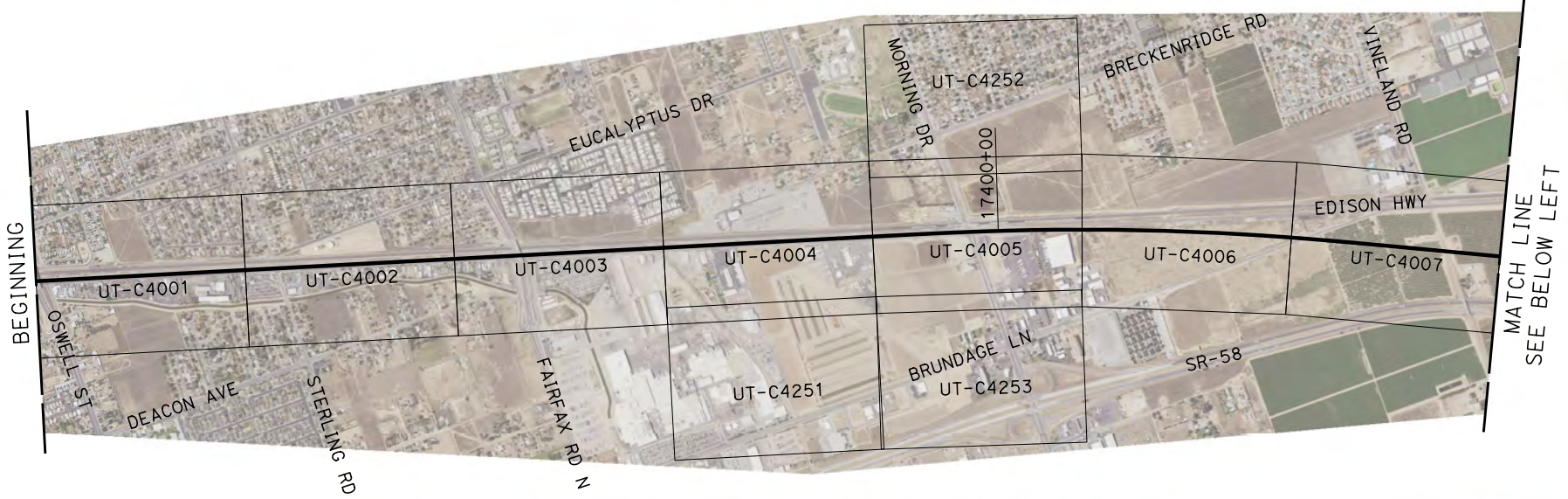
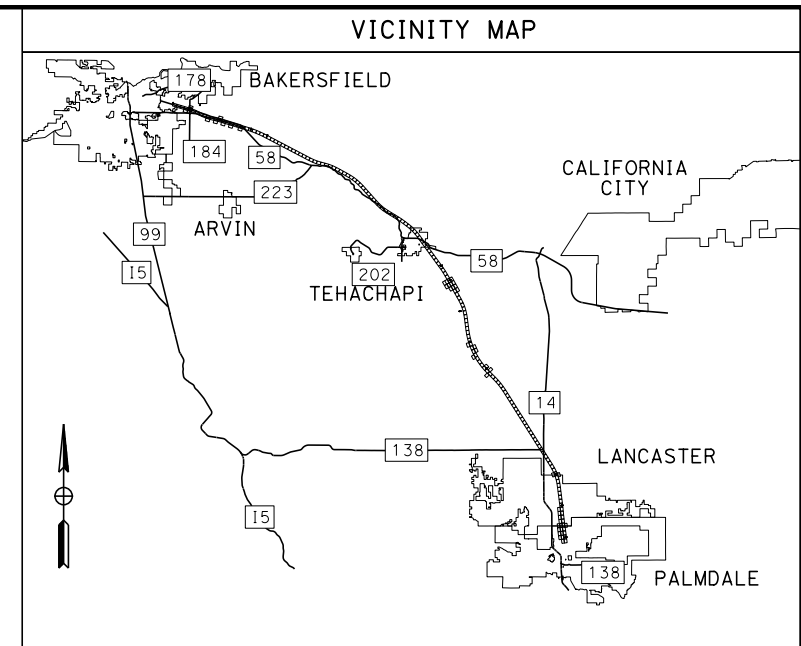
SHEET NO.



Projects\701206.00\_CHSRBP\00\_CADD\Sheet\_Files\UT\BP-UT-B0029.dgn

OIC: Adodge 11/7/2017 7:51:21 PM

### ALTERNATIVE 5



REV	DATE	BY	CHK	APP	DESCRIPTION

DESIGNED BY  
**D. CONYERS**  
DRAWN BY  
**H. TU**  
CHECKED BY  
**D. ARUTA**  
IN CHARGE  
**S. SMITH**  
DATE  
**10/31/2017**

**RECORD  
PEPD  
SUBMITTAL**

**NOT FOR  
CONSTRUCTION**



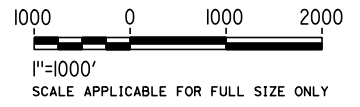
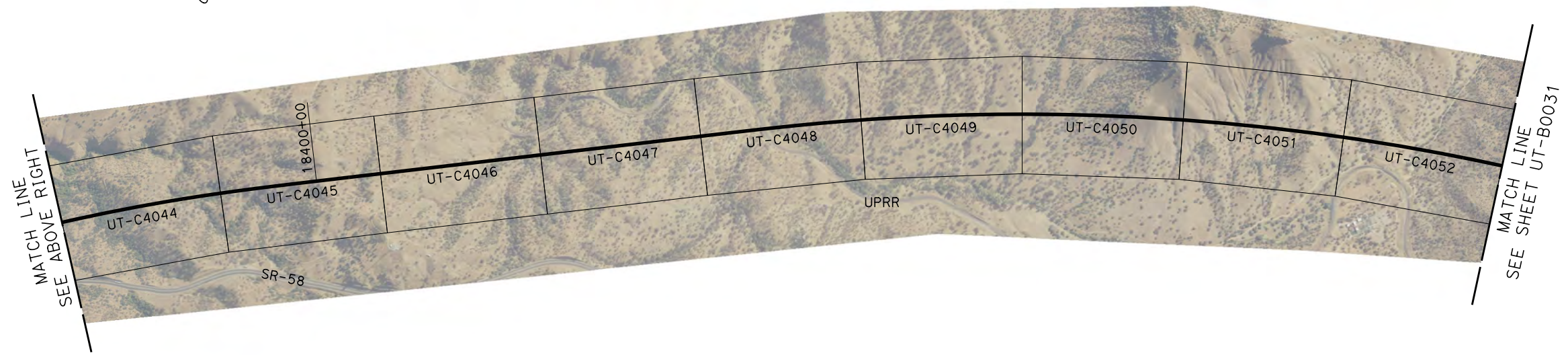
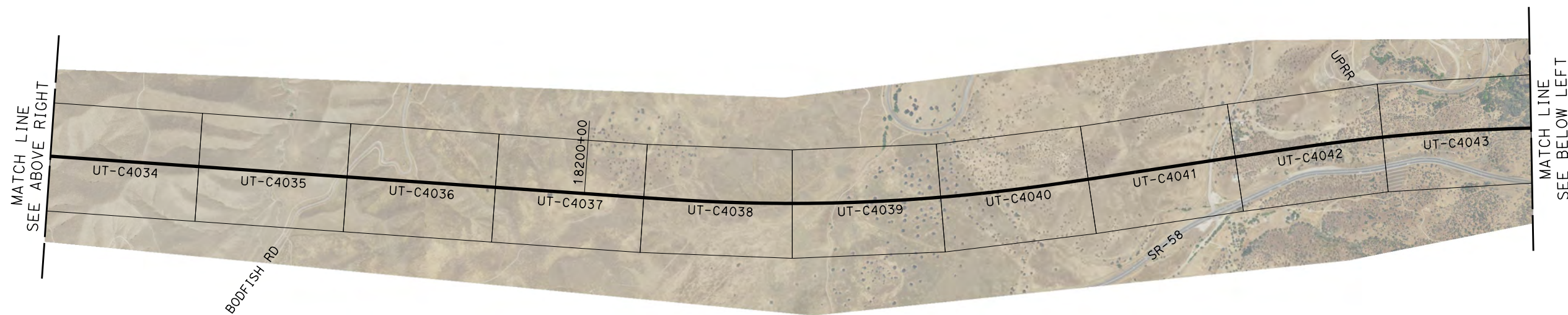
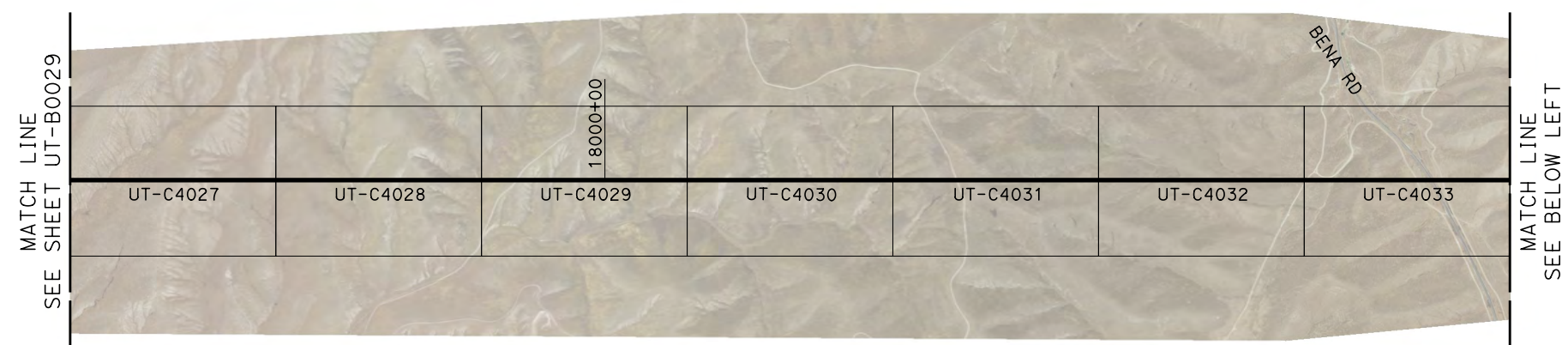
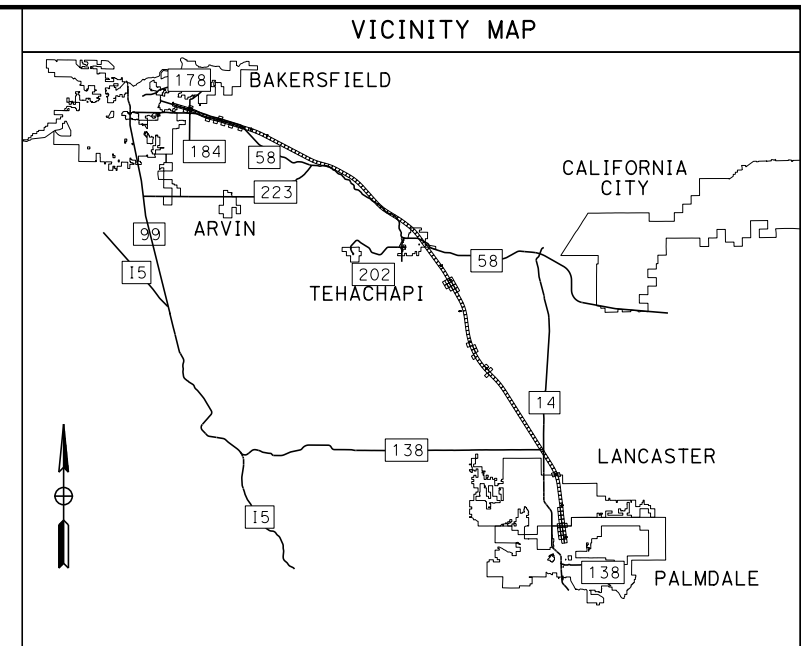
**CALIFORNIA HIGH-SPEED RAIL PROJECT  
BAKERSFIELD TO PALMDALE**

ALTERNATIVE 5  
KEY MAP  
SHEET 1 OF 7

CONTRACT NO.  
HSR13-44  
DRAWING NO.  
UT-B0029  
SCALE  
AS SHOWN  
SHEET NO.



# ALTERNATIVE 5



Projects\701206.00\_CHSRBP\00\_CADD\Sheet Files\UT\BP-UT-B0030.dgn

OIC: Adodge 11/7/2017 7:54:30 PM

REV	DATE	BY	CHK	APP	DESCRIPTION

DESIGNED BY  
**D. CONYERS**  
DRAWN BY  
**H. TU**  
CHECKED BY  
**D. ARUTA**  
IN CHARGE  
**S. SMITH**  
DATE  
**10/31/2017**

**RECORD  
PEPD  
SUBMITTAL**

**NOT FOR  
CONSTRUCTION**



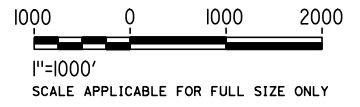
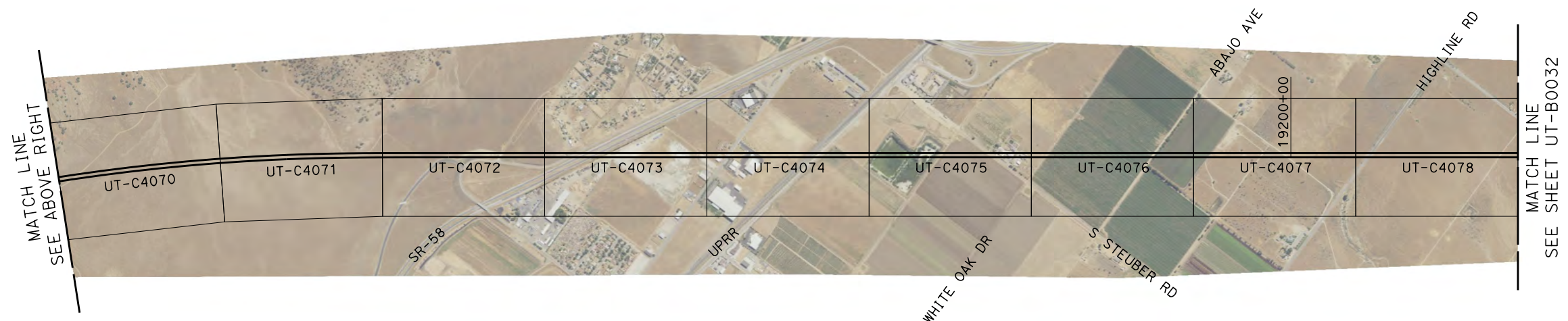
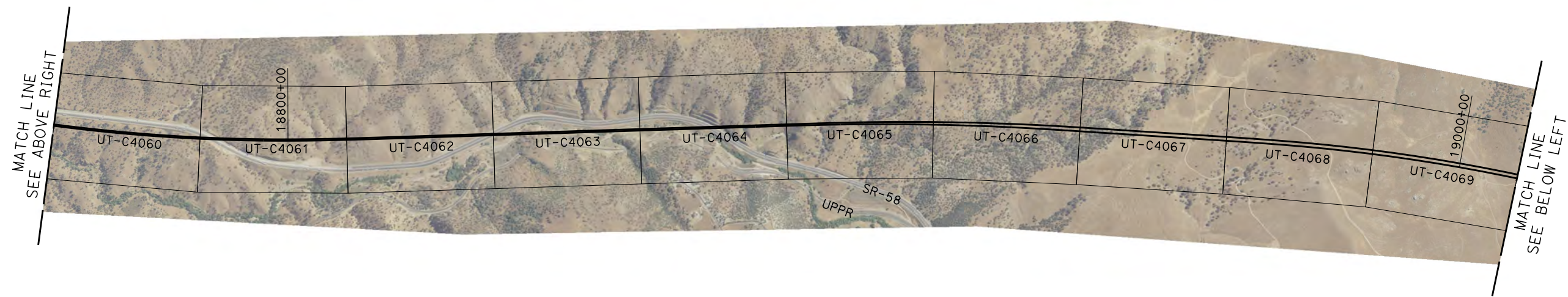
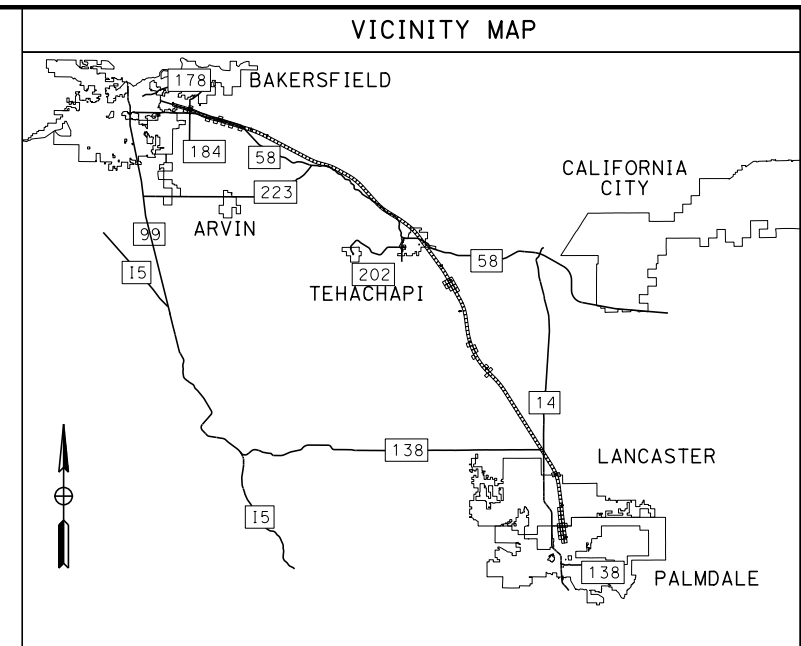
**CALIFORNIA HIGH-SPEED RAIL PROJECT  
BAKERSFIELD TO PALMDALE**

ALTERNATIVE 5  
KEY MAP  
SHEET 2 OF 7

CONTRACT NO.  
HSR13-44  
DRAWING NO.  
UT-B0030  
SCALE  
AS SHOWN  
SHEET NO.



# ALTERNATIVE 5



Projects\701206.00\_CHSRBP\00\_CADD\Sheet Files\UT\BP-UT-B0031.dgn

OIC:Adodge 11/7/2017 7:49:27 PM

REV	DATE	BY	CHK	APP	DESCRIPTION

DESIGNED BY  
**D. CONYERS**  
DRAWN BY  
**H. TU**  
CHECKED BY  
**D. ARUTA**  
IN CHARGE  
**S. SMITH**  
DATE  
**10/31/2017**

**RECORD  
PEPD  
SUBMITTAL**

**NOT FOR  
CONSTRUCTION**



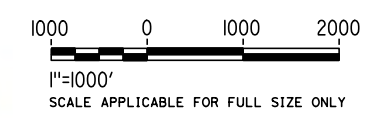
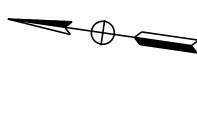
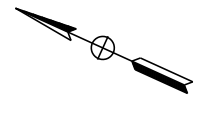
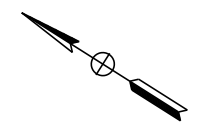
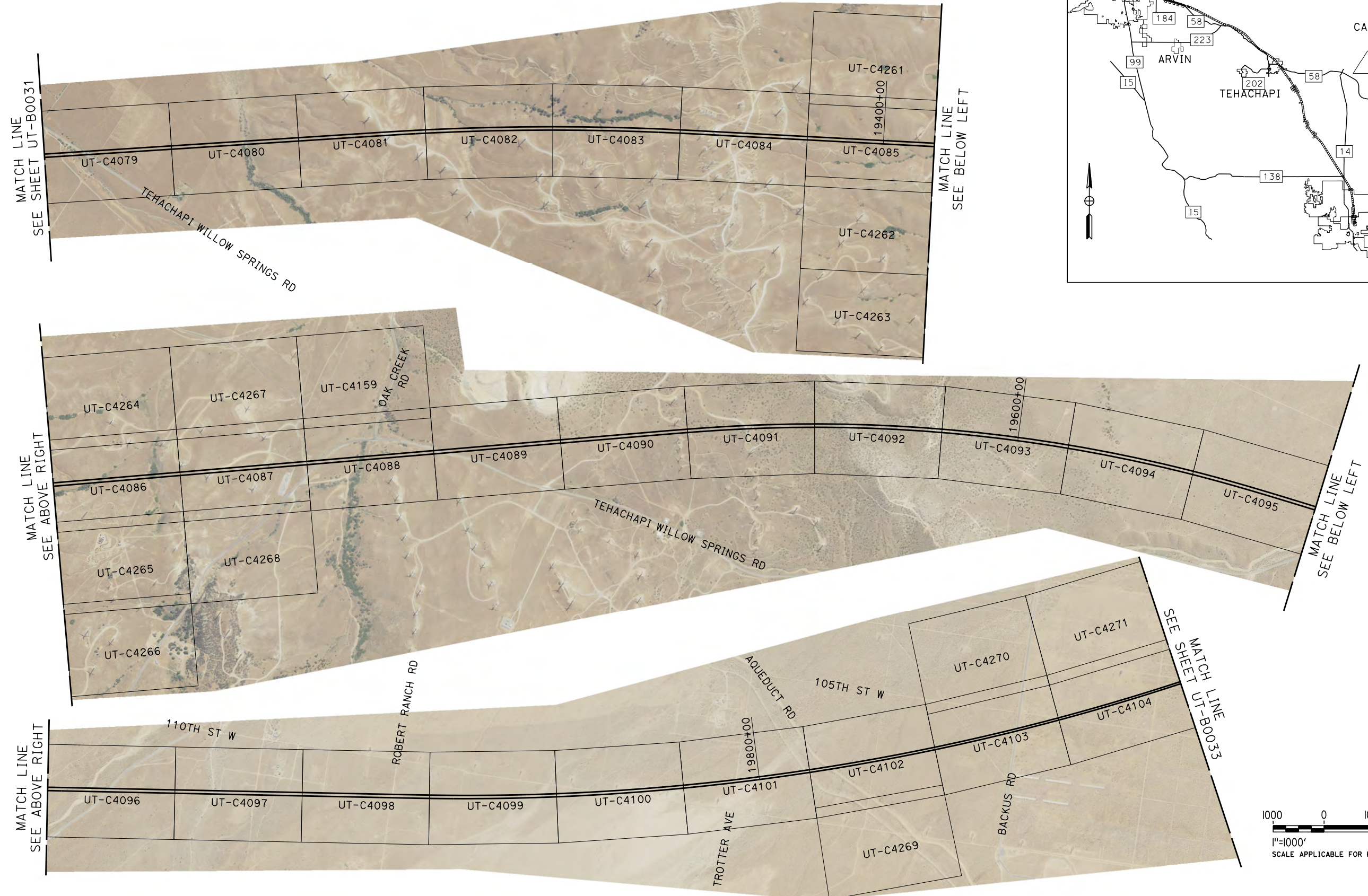
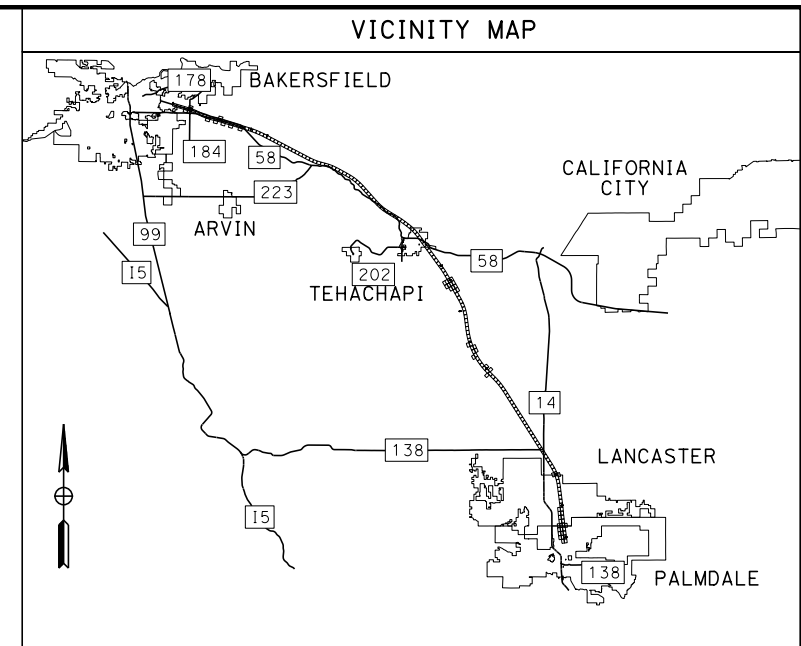
**CALIFORNIA HIGH-SPEED RAIL PROJECT  
BAKERSFIELD TO PALMDALE**

ALTERNATIVE 5  
KEY MAP  
SHEET 3 OF 7

CONTRACT NO.  
HSR13-44  
DRAWING NO.  
UT-B0031  
SCALE  
AS SHOWN  
SHEET NO.



**ALTERNATIVE 5**



Projects\701206.00\_CHSRBP\00\_CADD\Sheet Files\UT\BP-UT-B0032.dgn

OIC:Adodge 11/7/2017 7:49:30 PM

REV	DATE	BY	CHK	APP	DESCRIPTION

DESIGNED BY  
**D. CONYERS**

DRAWN BY  
**H. TU**

CHECKED BY  
**D. ARUTA**

IN CHARGE  
**S. SMITH**

DATE  
**10/31/2017**

**RECORD  
PEPD  
SUBMITTAL**

**NOT FOR  
CONSTRUCTION**



**CALIFORNIA HIGH-SPEED RAIL PROJECT  
BAKERSFIELD TO PALMDALE**

ALTERNATIVE 5  
KEY MAP  
SHEET 4 OF 7

CONTRACT NO.  
**HSR13-44**

DRAWING NO.  
**UT-B0032**

SCALE  
**AS SHOWN**

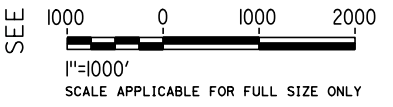
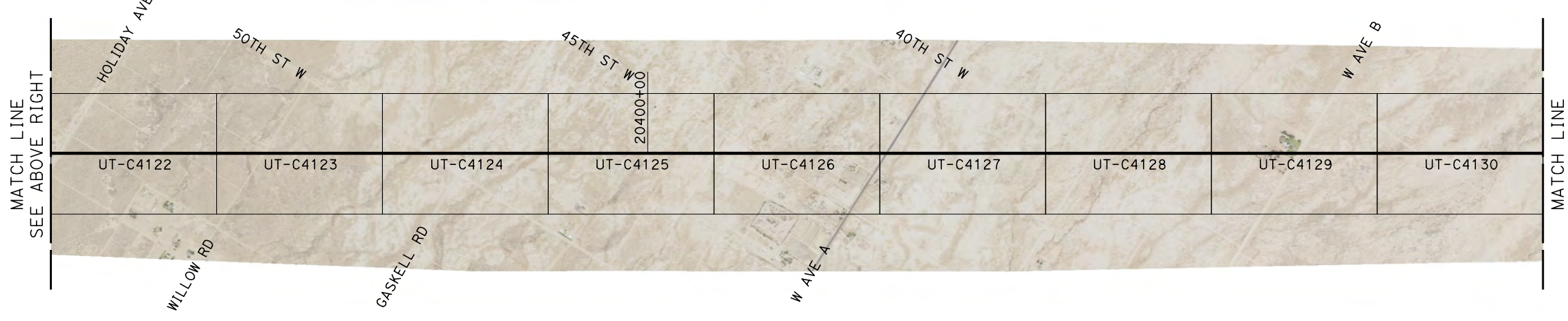
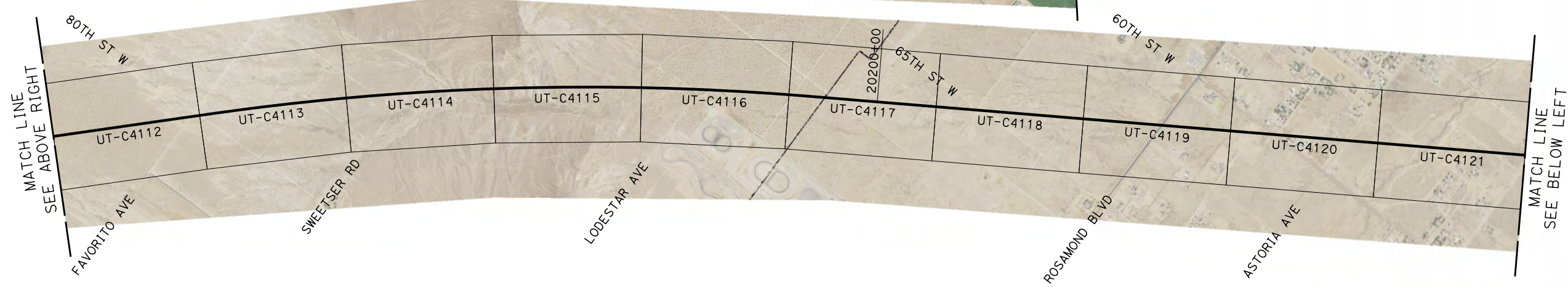
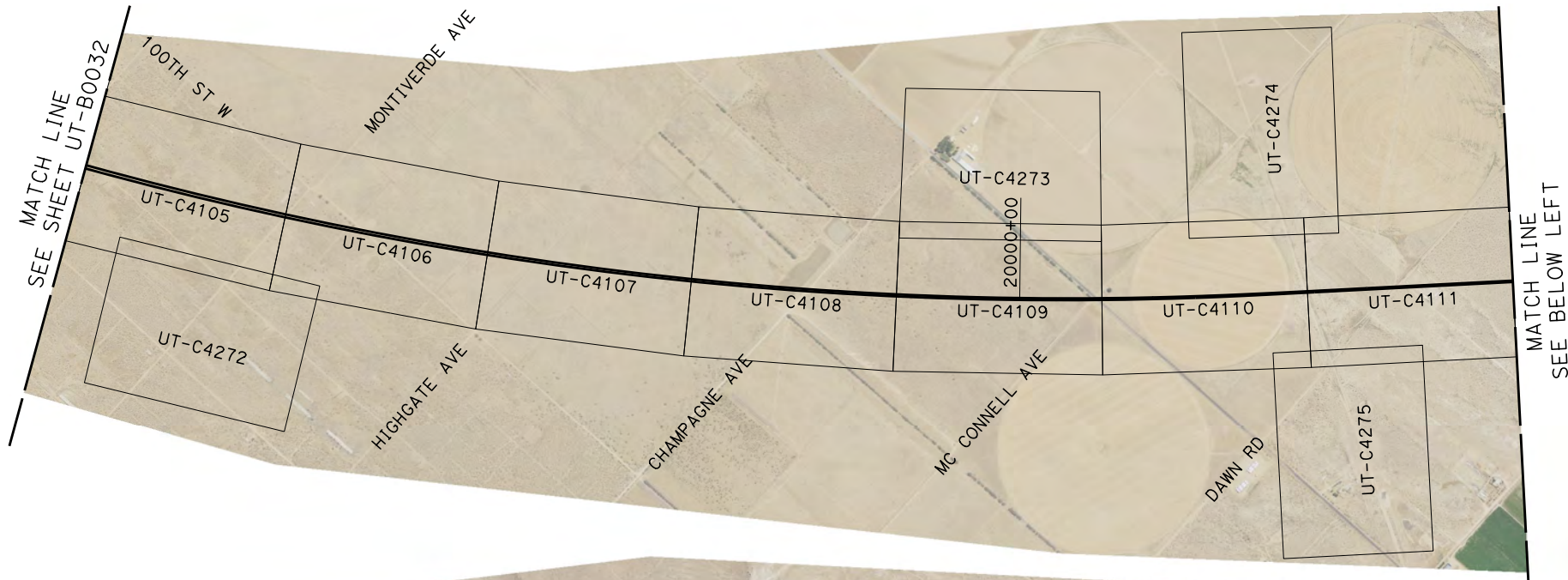
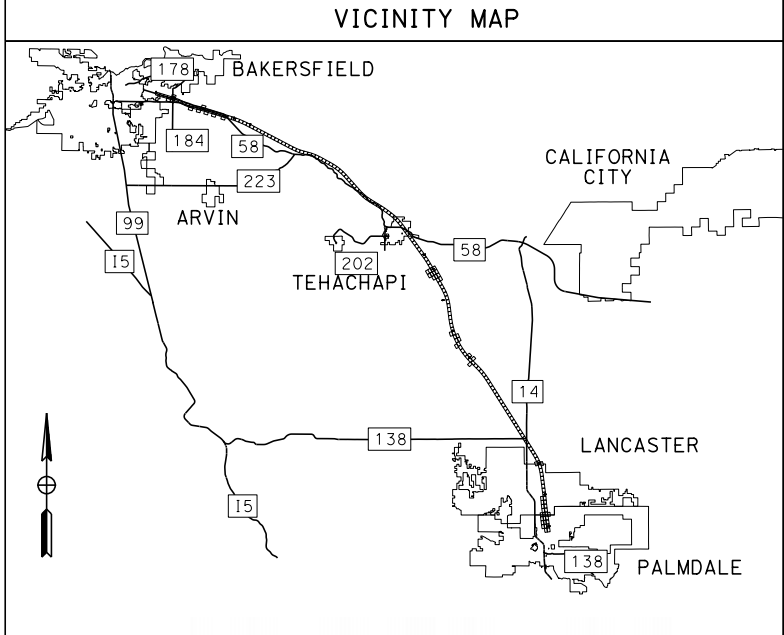
SHEET NO.



Projects\701206.00\_CHSRBP\00\_CADD\Sheet Files\UT\BP-UT-B0033.dgn

OIC: Adodge 11/7/2017 7:49:35 PM

# ALTERNATIVE 5



REV	DATE	BY	CHK	APP	DESCRIPTION

DESIGNED BY  
**D. CONYERS**  
DRAWN BY  
**H. TU**  
CHECKED BY  
**D. ARUTA**  
IN CHARGE  
**S. SMITH**  
DATE  
**10/31/2017**

**RECORD  
PEPD  
SUBMITTAL**

**NOT FOR  
CONSTRUCTION**



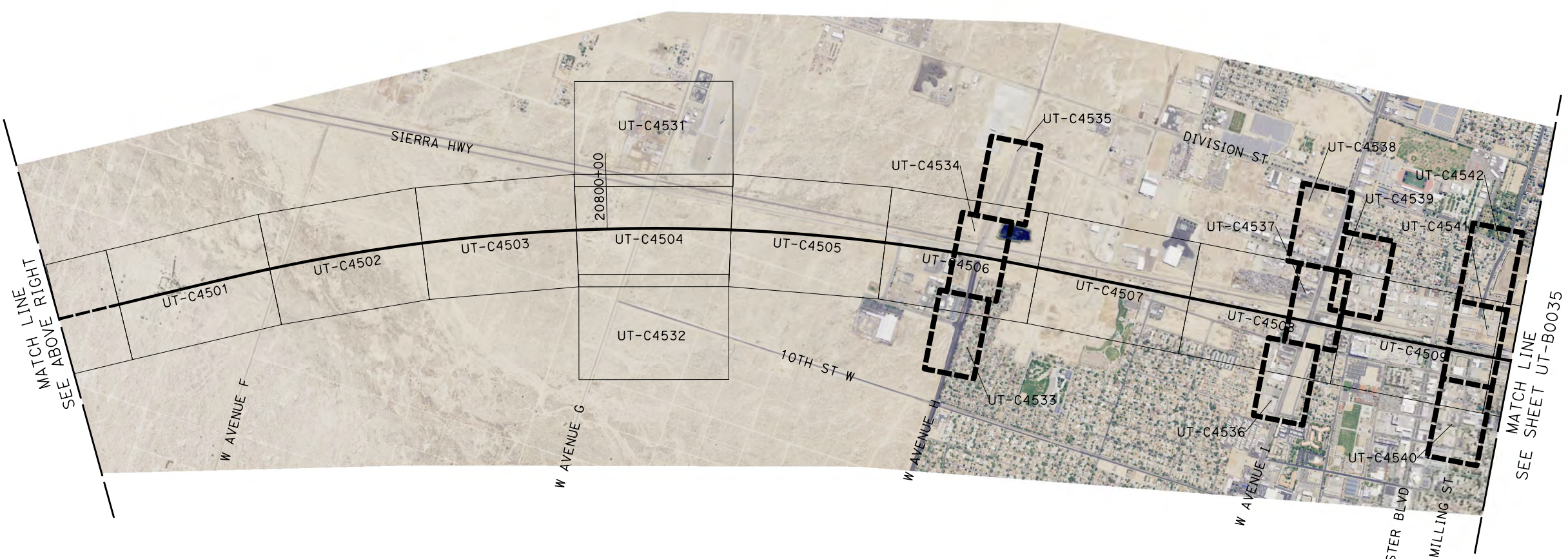
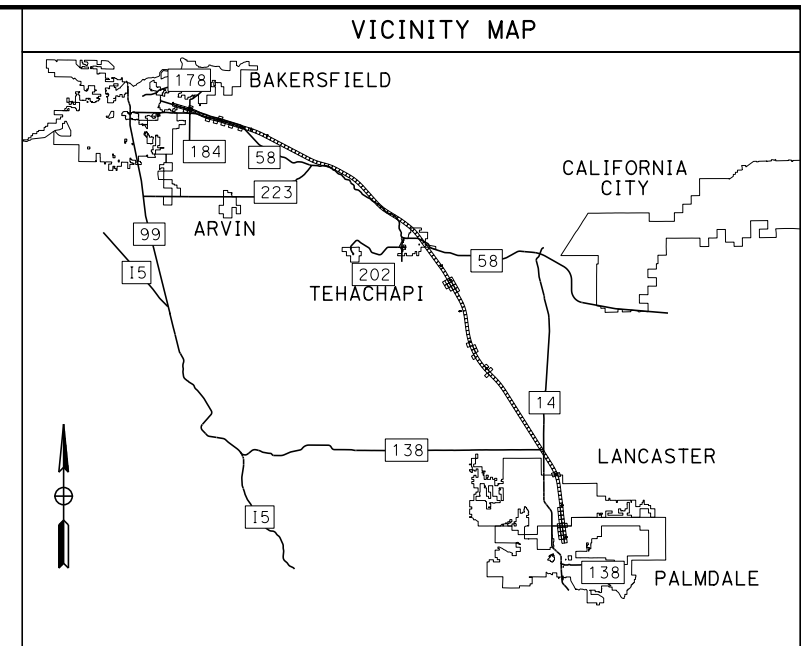
**CALIFORNIA HIGH-SPEED RAIL PROJECT  
BAKERSFIELD TO PALMDALE**

ALTERNATIVE 5  
KEY MAP  
SHEET 5 OF 7

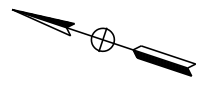
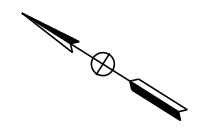
CONTRACT NO.  
**HSR13-44**  
DRAWING NO.  
**UT-B0033**  
SCALE  
**AS SHOWN**  
SHEET NO.



# ALTERNATIVE 5



Projects\701206.00\_CHSRBP\00\_CADD\Sheet Files\UT\BP-UT-B0034.dgn



REV	DATE	BY	CHK	APP	DESCRIPTION

DESIGNED BY  
**D. CONYERS**

DRAWN BY  
**H. TU**

CHECKED BY  
**D. ARUTA**

IN CHARGE  
**S. SMITH**

DATE  
**10/31/2017**

**RECORD  
PEPD  
SUBMITTAL**

**NOT FOR  
CONSTRUCTION**



**CALIFORNIA HIGH-SPEED RAIL PROJECT  
BAKERSFIELD TO PALMDALE**

ALTERNATIVE 5  
KEY MAP  
SHEET 6 OF 7

CONTRACT NO.  
**HSR13-44**

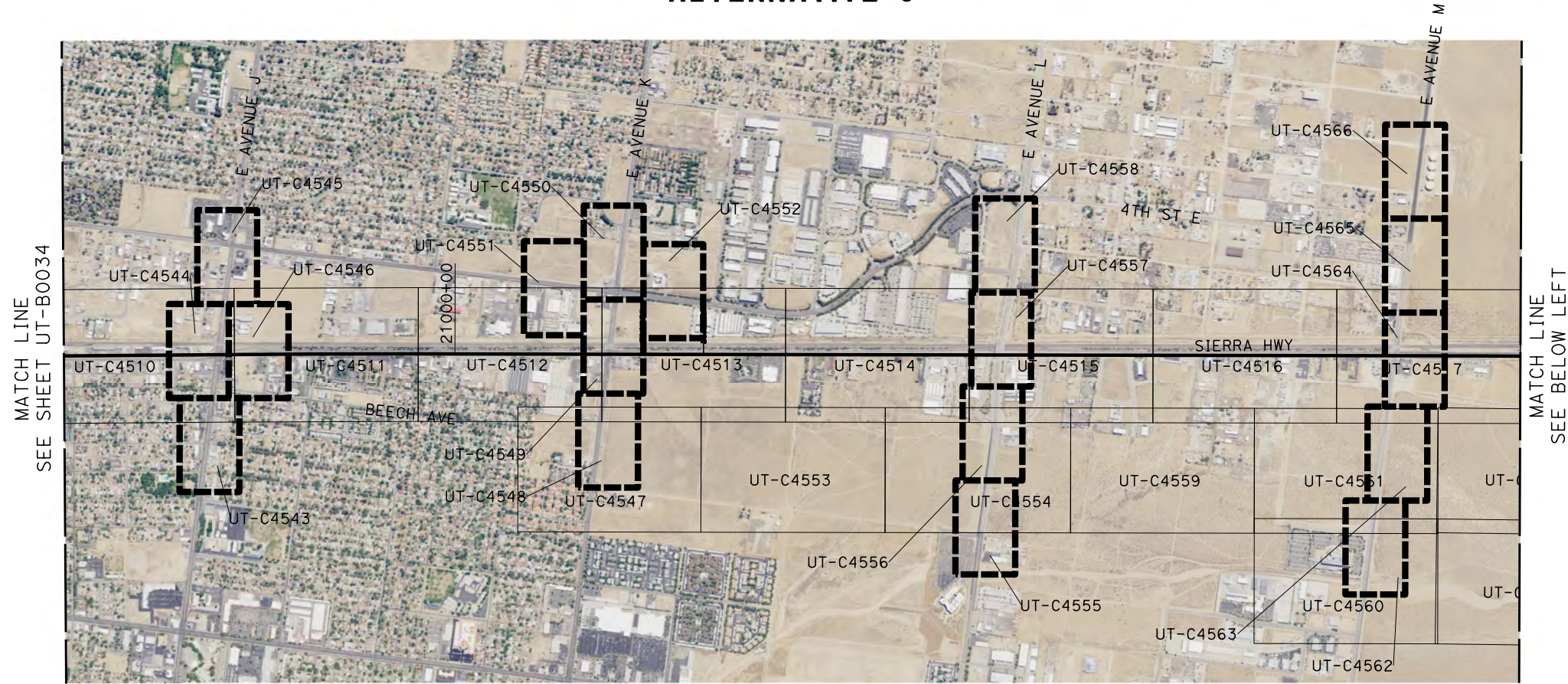
DRAWING NO.  
**UT-B0034**

SCALE  
**AS SHOWN**

SHEET NO.

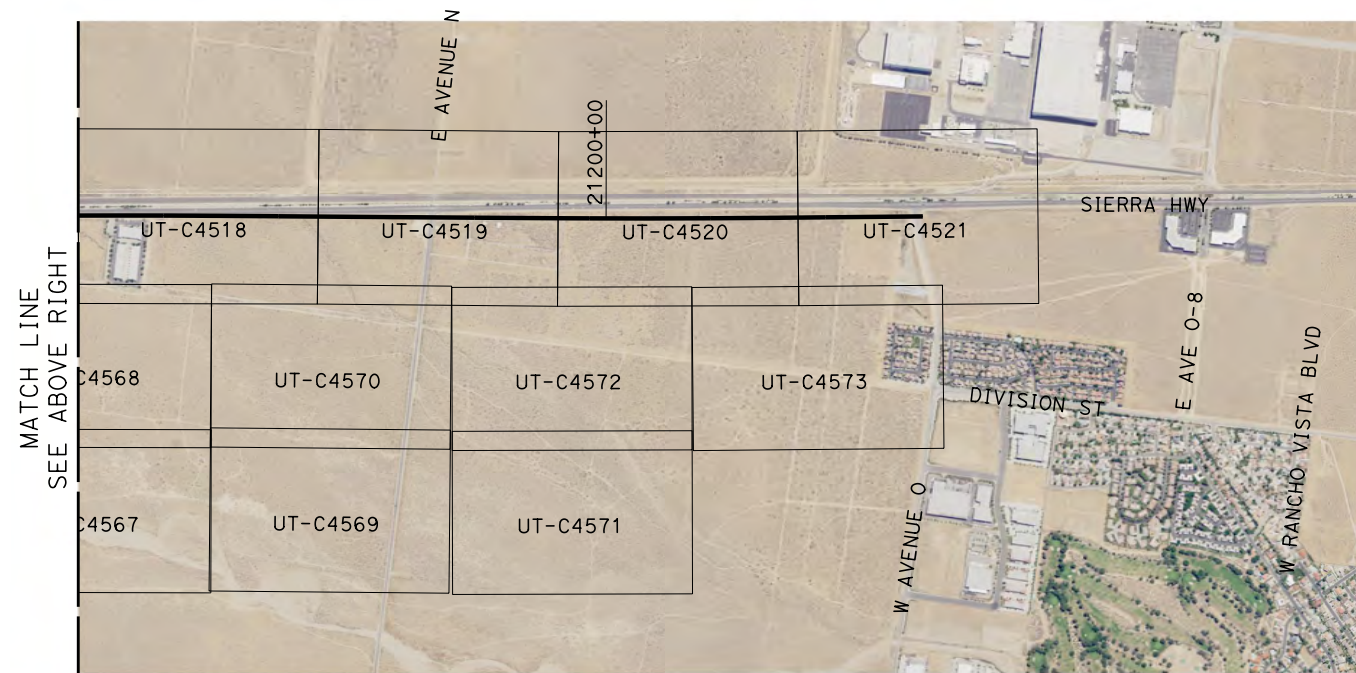
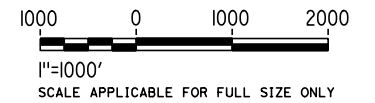


# ALTERNATIVE 5

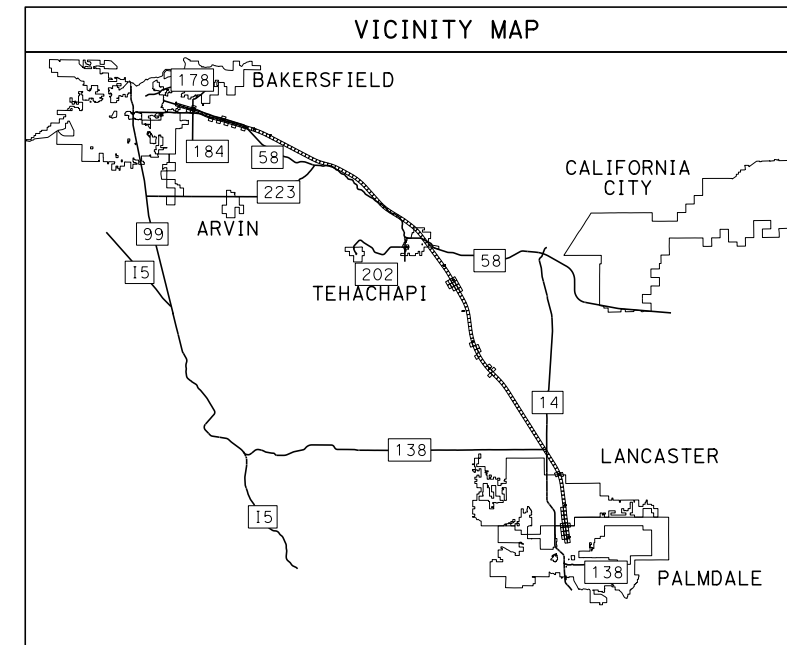


MATCH LINE  
SEE SHEET UT-B0034

MATCH LINE  
SEE BELOW LEFT



MATCH LINE  
SEE ABOVE RIGHT



Projects\701206.00\_CHSRBP\00\_CADD\Sheet Files\UT\BP-UT-B0035.dgn

OIC:Adodge 11/7/2017 7:54:38 PM

REV	DATE	BY	CHK	APP	DESCRIPTION

DESIGNED BY  
**D. CONYERS**  
DRAWN BY  
**H. TU**  
CHECKED BY  
**D. ARUTA**  
IN CHARGE  
**S. SMITH**  
DATE  
**10/31/2017**

**RECORD  
PEPD  
SUBMITTAL**

**NOT FOR  
CONSTRUCTION**



**CALIFORNIA HIGH-SPEED RAIL PROJECT  
BAKERSFIELD TO PALMDALE**

ALTERNATIVE 5  
KEY MAP  
SHEET 7 OF 7

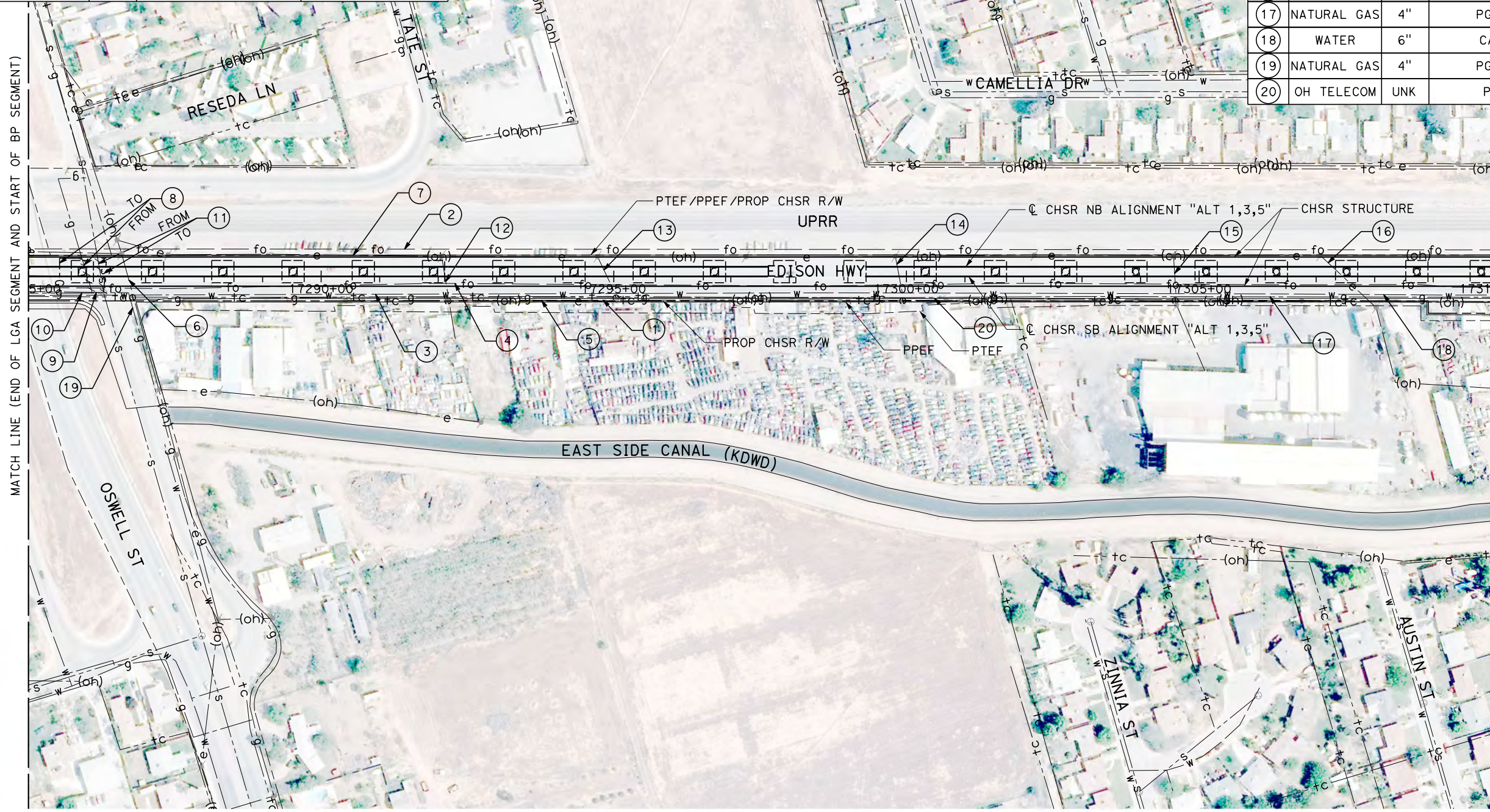
CONTRACT NO.  
**HSR13-44**  
DRAWING NO.  
**UT-B0035**  
SCALE  
**AS SHOWN**  
SHEET NO.



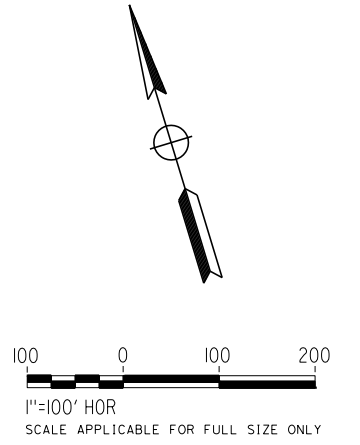
Projects\701206.00\_CHSRBP\00\_CADD\Sheet Files\UT\AI\1\_NBP-UT-C4001.dgn  
 11/7/2017 7:57:12 PM  
 OIC:Adodge

UTILITY INFORMATION				
#	FACILITY	SIZE	OWNER	DISPOSITION
1	TELECOM	UNK	PACBELL	PROTECT IN PLACE
2	FIBER OPTIC	UNK	LEVEL 3	PROTECT IN PLACE
3	WATER	12"	CALWATER	PROTECT IN PLACE
4	FIBER OPTIC	UNK	AT&T TRANS	RELOCATE
5	TELECOM	UNK	BRIGHTHOUSE	PROTECT IN PLACE
6	OH POWER	21kV	PG&E DIST	RELOCATE
7	OH POWER	12kV	PG&E DIST	RELOCATE
8	NATURAL GAS	6"	PG&E DIST	RELOCATE

UTILITY INFORMATION CONT.				
#	FACILITY	SIZE	OWNER	DISPOSITION
9	NATURAL GAS	3"	PG&E DIST	PROTECT IN PLACE
10	SEWER	8"	KSA	PROTECT IN PLACE
11	SEWER	15"	KSA	RELOCATE
12	OH POWER	12kV	PG&E DIST	RELOCATE
13	OH POWER	12kV	PG&E DIST	RELOCATE
14	OH POWER	12kV	PG&E DIST	RELOCATE
15	OH POWER	12kV	PG&E DIST	RELOCATE
16	OH POWER	12kV	PG&E DIST	RELOCATE
17	NATURAL GAS	4"	PG&E DIST	PROTECT IN PLACE
18	WATER	6"	CALWATER	PROTECT IN PLACE
19	NATURAL GAS	4"	PG&E DIST	PROTECT IN PLACE
20	OH TELECOM	UNK	PACBELL	PROTECT IN PLACE



MATCH LINE ( UT-C4002 )



REV	DATE	BY	CHK	APP	DESCRIPTION

DESIGNED BY  
**D. CONYERS**  
 DRAWN BY  
**H. TU**  
 CHECKED BY  
**D. ARUTA**  
 IN CHARGE  
**S. SMITH**  
 DATE  
**10/31/2017**

**RECORD  
 PECD  
 SUBMITTAL**  
  
**NOT FOR  
 CONSTRUCTION**



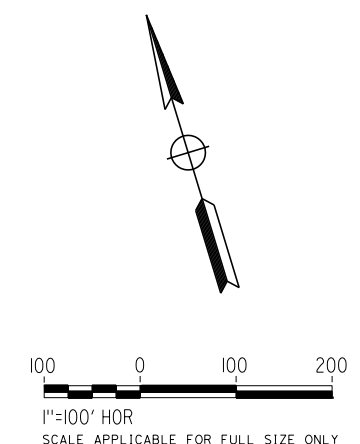
**CALIFORNIA HIGH-SPEED RAIL PROJECT**  
**BAKERSFIELD TO PALMDALE**  
  
 ALTERNATIVE 1,3,5  
 COMPOSITE UTILITY PLAN  
 STA 17285+00 TO 17310+00

CONTRACT NO.  
**HSR13-44**  
 DRAWING NO.  
**UT-C4001**  
 SCALE  
**AS SHOWN**  
 SHEET NO.



UTILITY INFORMATION				
#	FACILITY	SIZE	OWNER	DISPOSITION
1	TELECOM	UNK	BRIGHTHOUSE	RELOCATE
2	WATER	14"	ENCSD	PROTECT IN PLACE
3	TELECOM	UNK	PACBELL	PROTECT IN PLACE
4	WATER	6"	CALWATER	PROTECT IN PLACE
5	SEWER	10"	ENCSD	PROTECT IN PLACE
6	FIBER OPTIC	UNK	SPRINT, LEVEL 3	PROTECT IN PLACE
7	OH TELECOM	UNK	BRIGHTHOUSE	PROTECT IN PLACE
8	OH POWER	12kV	PG&E DIST	RELOCATE
9	OH POWER	12kV	PG&E DIST	RELOCATE

UTILITY INFORMATION CONT.				
#	FACILITY	SIZE	OWNER	DISPOSITION
10	NATURAL GAS	6"	PG&E DIST	PROTECT IN PLACE
11	NATURAL GAS	3"	PG&E DIST	RELOCATE
12	NATURAL GAS	3"	PG&E DIST	PROTECT IN PLACE
13	NATURAL GAS	4"	PG&E DIST	PROTECT IN PLACE
14	FIBER OPTIC	UNK	AT&T TRANS	RELOCATE
15	WATER	8"	CALWATER	PROTECT IN PLACE
16	OH TELECOM	UNK	BRIGHTHOUSE	PROTECT IN PLACE
17	OH POWER	21kV	PG&E DIST	RELOCATE
18	OH TELECOM	UNK	PACBELL	PROTECT IN PLACE

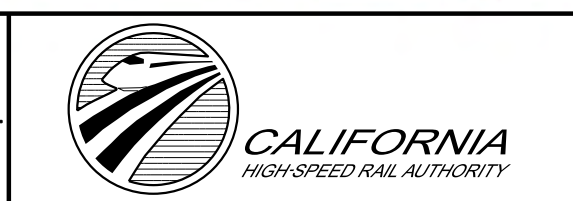


11/7/2017 3:02:02 PM  
 OIC:Adodge  
 Projects\701206\_00\_CHSRBP\00\_CADD\Sheet Files\UT\AI\1\BP-UT-C4002.dgn

REV	DATE	BY	CHK	APP	DESCRIPTION

DESIGNED BY  
**D. CONYERS**  
 DRAWN BY  
**H. TU**  
 CHECKED BY  
**D. ARUTA**  
 IN CHARGE  
**S. SMITH**  
 DATE  
**10/31/2017**

**RECORD  
 PECD  
 SUBMITTAL**  
  
**NOT FOR  
 CONSTRUCTION**



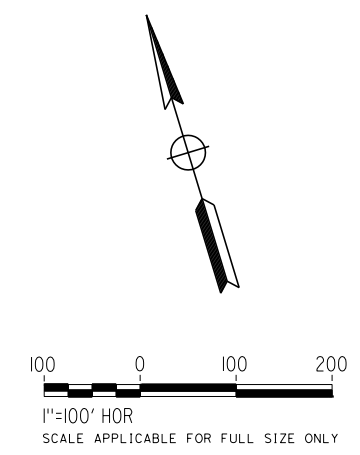
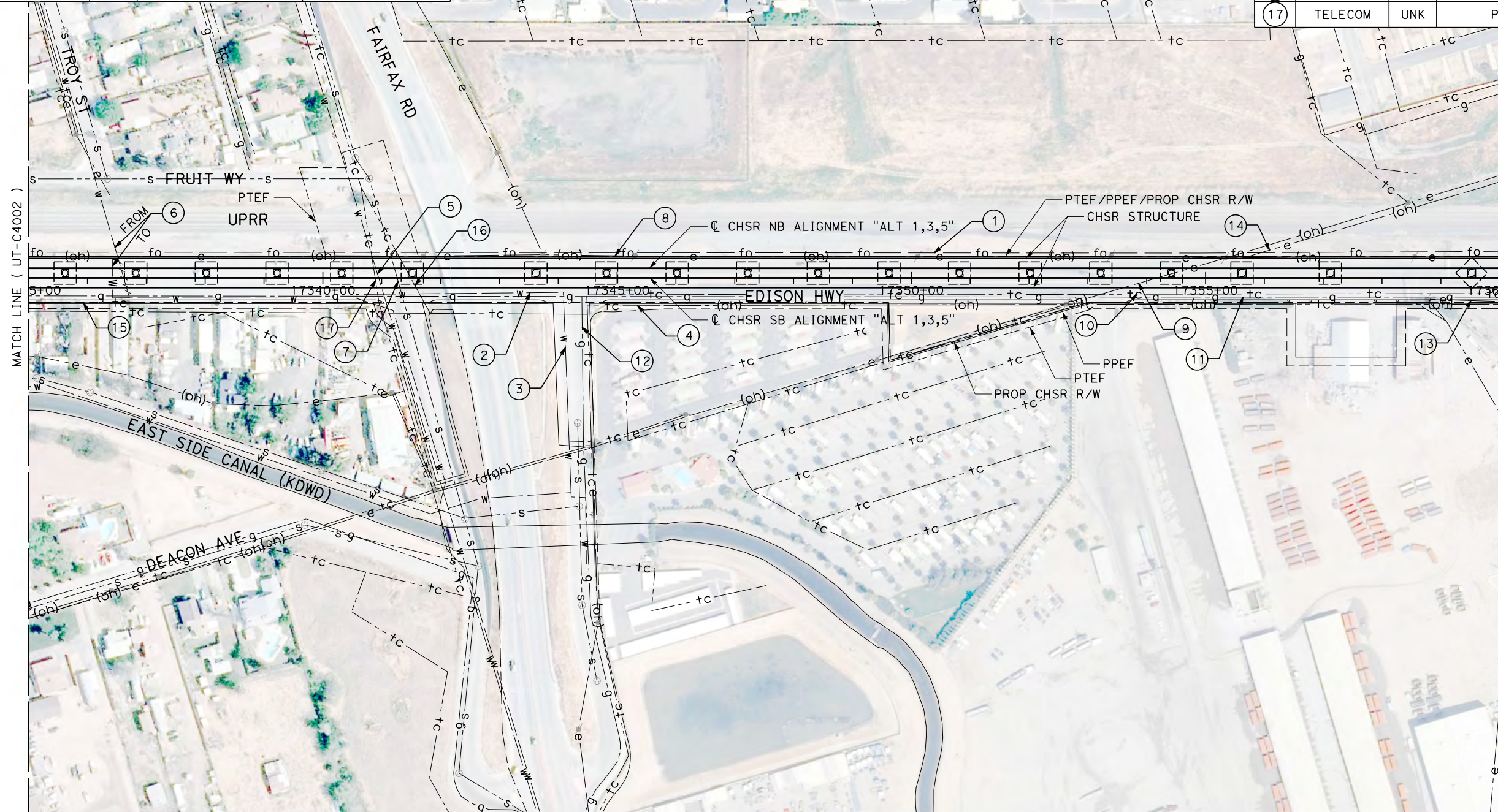
**CALIFORNIA HIGH-SPEED RAIL PROJECT**  
**BAKERSFIELD TO PALMDALE**  
  
 ALTERNATIVE 1,3,5  
 COMPOSITE UTILITY PLAN  
 STA 17310+00 TO 17335+00

CONTRACT NO.  
**HSR13-44**  
 DRAWING NO.  
**UT-C4002**  
 SCALE  
**AS SHOWN**  
 SHEET NO.



UTILITY INFORMATION				
#	FACILITY	SIZE	OWNER	DISPOSITION
1	FIBER OPTIC	UNK	SPRINT, LEVEL 3	PROTECT IN PLACE
2	WATER	10"	ENCSD	PROTECT IN PLACE
3	WATER	8"	ENCSD	PROTECT IN PLACE
4	OH TELECOM	UNK	PACBELL	PROTECT IN PLACE
5	WATER	12"	ENCSD	PROTECT IN PLACE
6	WATER	4"	ENCSD	RELOCATE
7	SEWER	18"	ENCSD	PROTECT IN PLACE
8	OH POWER	12kV	PG&E DIST	RELOCATE

UTILITY INFORMATION CONT.				
#	FACILITY	SIZE	OWNER	DISPOSITION
9	OH POWER	21kV	PG&E DIST	RELOCATE
10	TELECOM	UNK	PACBELL	PROTECT IN PLACE
11	NATURAL GAS	3"	PG&E DIST	PROTECT IN PLACE
12	NATURAL GAS	4"	PG&E DIST	PROTECT IN PLACE
13	OH POWER	21kV	PG&E DIST	RELOCATE
14	OH POWER	12kV	PG&E DIST	RELOCATE
15	OH TELECOM	UNK	BRIGHTHOUSE	PROTECT IN PLACE
16	TELECOM	UNK	PACBELL	RELOCATE
17	TELECOM	UNK	PACBELL	PROTECT IN PLACE



Projects\701206.00\_CHSRBP\00\_CADD\Sheet Files\UT\AI\1\_NBP-UT-C4003.dgn  
 11/7/2017 3:01:13 PM  
 OIC:Adodge

REV	DATE	BY	CHK	APP	DESCRIPTION

DESIGNED BY  
**D. CONYERS**  
 DRAWN BY  
**H. TU**  
 CHECKED BY  
**D. ARUTA**  
 IN CHARGE  
**S. SMITH**  
 DATE  
**10/31/2017**

**RECORD  
 PECD  
 SUBMITTAL**  
  
**NOT FOR  
 CONSTRUCTION**



**CALIFORNIA HIGH-SPEED RAIL PROJECT**  
**BAKERSFIELD TO PALMDALE**  
  
 ALTERNATIVE 1,3,5  
 COMPOSITE UTILITY PLAN  
 STA 17335+00 TO 17360+00

CONTRACT NO.  
**HSR13-44**  
 DRAWING NO.  
**UT-C4003**  
 SCALE  
**AS SHOWN**  
 SHEET NO.

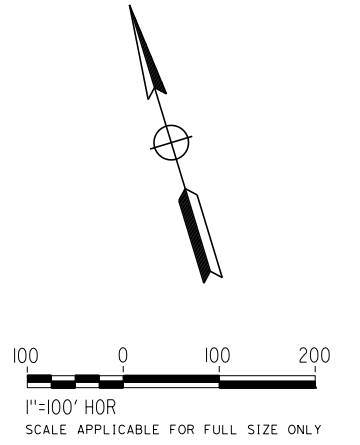
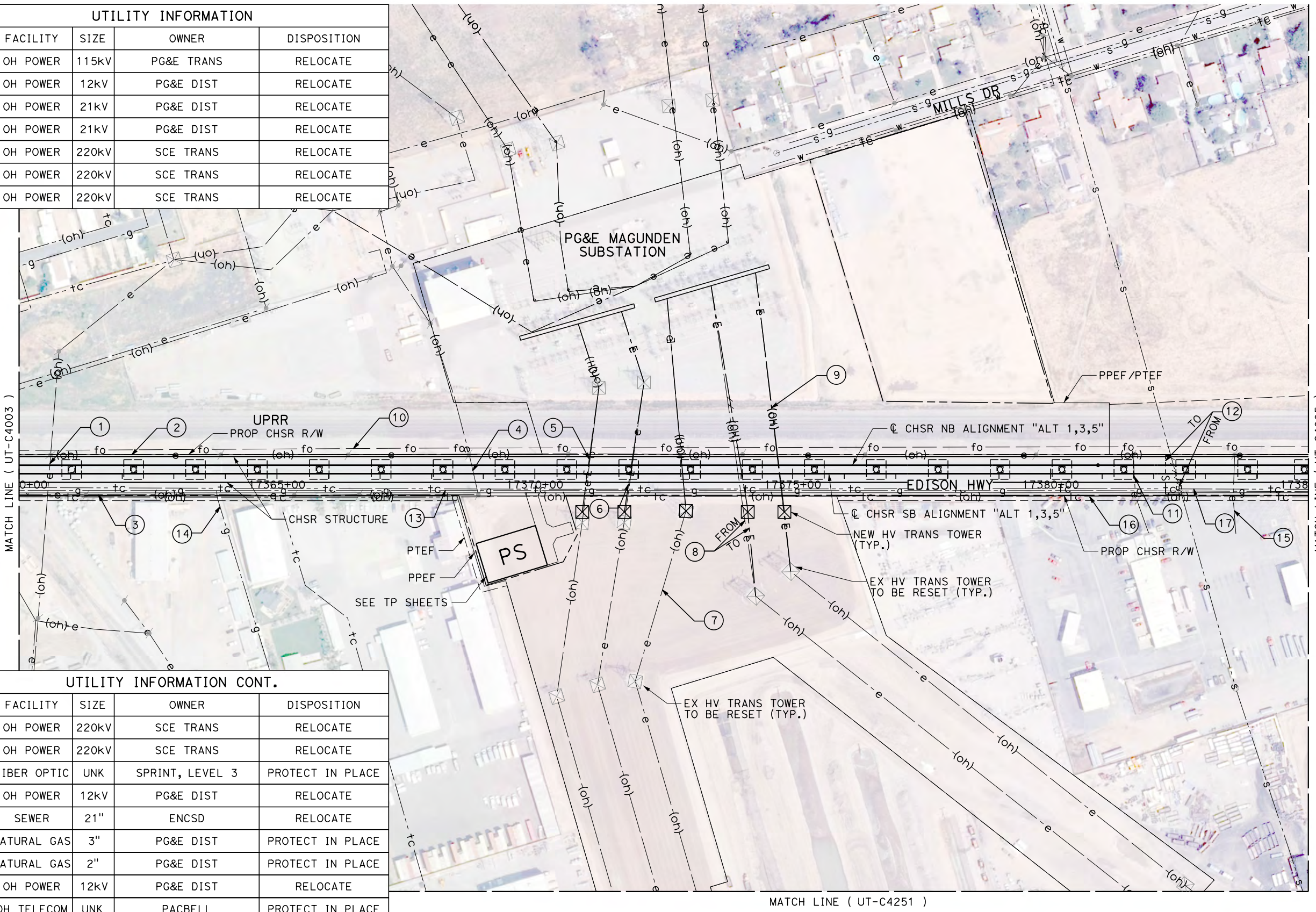


Projects\701206.00\_CHSRBP\00\_CADD\Sheet Files\UT\AI\1\BP-UT-C4004.dgn

OIC:Adodge 11/7/2017 3:01:04 PM

UTILITY INFORMATION				
#	FACILITY	SIZE	OWNER	DISPOSITION
1	OH POWER	115kV	PG&E TRANS	RELOCATE
2	OH POWER	12kV	PG&E DIST	RELOCATE
3	OH POWER	21kV	PG&E DIST	RELOCATE
4	OH POWER	21kV	PG&E DIST	RELOCATE
5	OH POWER	220kV	SCE TRANS	RELOCATE
6	OH POWER	220kV	SCE TRANS	RELOCATE
7	OH POWER	220kV	SCE TRANS	RELOCATE

UTILITY INFORMATION CONT.				
#	FACILITY	SIZE	OWNER	DISPOSITION
8	OH POWER	220kV	SCE TRANS	RELOCATE
9	OH POWER	220kV	SCE TRANS	RELOCATE
10	FIBER OPTIC	UNK	SPRINT, LEVEL 3	PROTECT IN PLACE
11	OH POWER	12kV	PG&E DIST	RELOCATE
12	SEWER	21"	ENCSD	RELOCATE
13	NATURAL GAS	3"	PG&E DIST	PROTECT IN PLACE
14	NATURAL GAS	2"	PG&E DIST	PROTECT IN PLACE
15	OH POWER	12kV	PG&E DIST	RELOCATE
16	OH TELECOM	UNK	PACBELL	PROTECT IN PLACE
17	TELECOM	UNK	PACBELL	PROTECT IN PLACE



REV	DATE	BY	CHK	APP	DESCRIPTION

DESIGNED BY  
**D. CONYERS**  
DRAWN BY  
**H. TU**  
CHECKED BY  
**D. ARUTA**  
IN CHARGE  
**S. SMITH**  
DATE  
**10/31/2017**

**RECORD  
PEPD  
SUBMITTAL**

**NOT FOR  
CONSTRUCTION**



**CALIFORNIA HIGH-SPEED RAIL PROJECT  
BAKERSFIELD TO PALMDALE**

ALTERNATIVE 1,3,5  
COMPOSITE UTILITY PLAN  
STA 17360+00 TO 17385+00

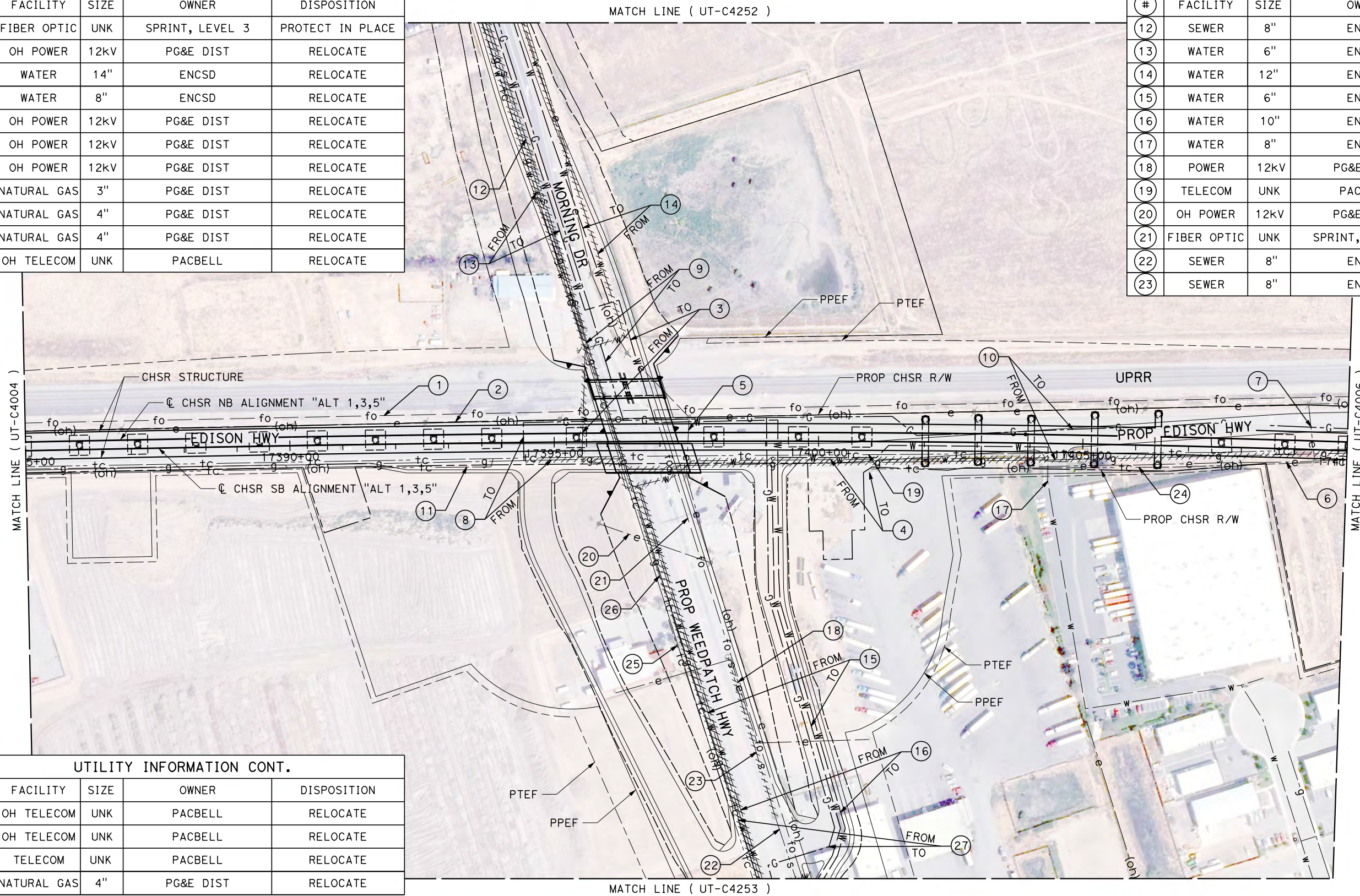
CONTRACT NO.  
**HSR13-44**  
DRAWING NO.  
**UT-C4004**  
SCALE  
**AS SHOWN**  
SHEET NO.



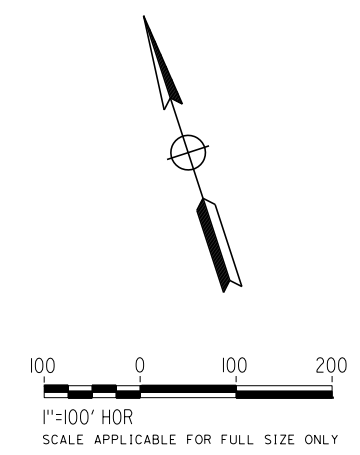
11/7/2017 2:59:38 PM OIC:Adodge Projects\701206.00\_CHSRBP\00\_CADD\Sheet\_Files\UT\AI\1\BP-UT-C4005.dgn

UTILITY INFORMATION				
#	FACILITY	SIZE	OWNER	DISPOSITION
1	FIBER OPTIC	UNK	SPRINT, LEVEL 3	PROTECT IN PLACE
2	OH POWER	12KV	PG&E DIST	RELOCATE
3	WATER	14"	ENCSD	RELOCATE
4	WATER	8"	ENCSD	RELOCATE
5	OH POWER	12KV	PG&E DIST	RELOCATE
6	OH POWER	12KV	PG&E DIST	RELOCATE
7	OH POWER	12KV	PG&E DIST	RELOCATE
8	NATURAL GAS	3"	PG&E DIST	RELOCATE
9	NATURAL GAS	4"	PG&E DIST	RELOCATE
10	NATURAL GAS	4"	PG&E DIST	RELOCATE
11	OH TELECOM	UNK	PACBELL	RELOCATE

UTILITY INFORMATION CONT.				
#	FACILITY	SIZE	OWNER	DISPOSITION
12	SEWER	8"	ENCSD	REMOVE
13	WATER	6"	ENCSD	RELOCATE
14	WATER	12"	ENCSD	RELOCATE
15	WATER	6"	ENCSD	RELOCATE
16	WATER	10"	ENCSD	RELOCATE
17	WATER	8"	ENCSD	PROTECT IN PLACE
18	POWER	12KV	PG&E DIST	RELOCATE
19	TELECOM	UNK	PACBELL	RELOCATE
20	OH POWER	12KV	PG&E DIST	RELOCATE
21	FIBER OPTIC	UNK	SPRINT, LEVEL 3	RELOCATE
22	SEWER	8"	ENCSD	PROTECT IN PLACE
23	SEWER	8"	ENCSD	REMOVE



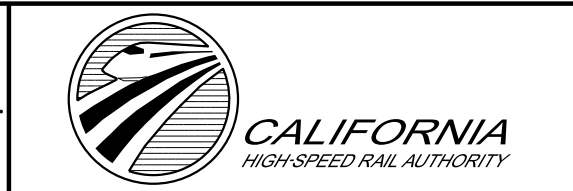
UTILITY INFORMATION CONT.				
#	FACILITY	SIZE	OWNER	DISPOSITION
24	OH TELECOM	UNK	PACBELL	RELOCATE
25	OH TELECOM	UNK	PACBELL	RELOCATE
26	TELECOM	UNK	PACBELL	RELOCATE
27	NATURAL GAS	4"	PG&E DIST	RELOCATE



REV	DATE	BY	CHK	APP	DESCRIPTION

DESIGNED BY  
**D. CONYERS**  
 DRAWN BY  
**H. TU**  
 CHECKED BY  
**D. ARUTA**  
 IN CHARGE  
**S. SMITH**  
 DATE  
**10/31/2017**

**RECORD  
 PECD  
 SUBMITTAL**  
  
**NOT FOR  
 CONSTRUCTION**

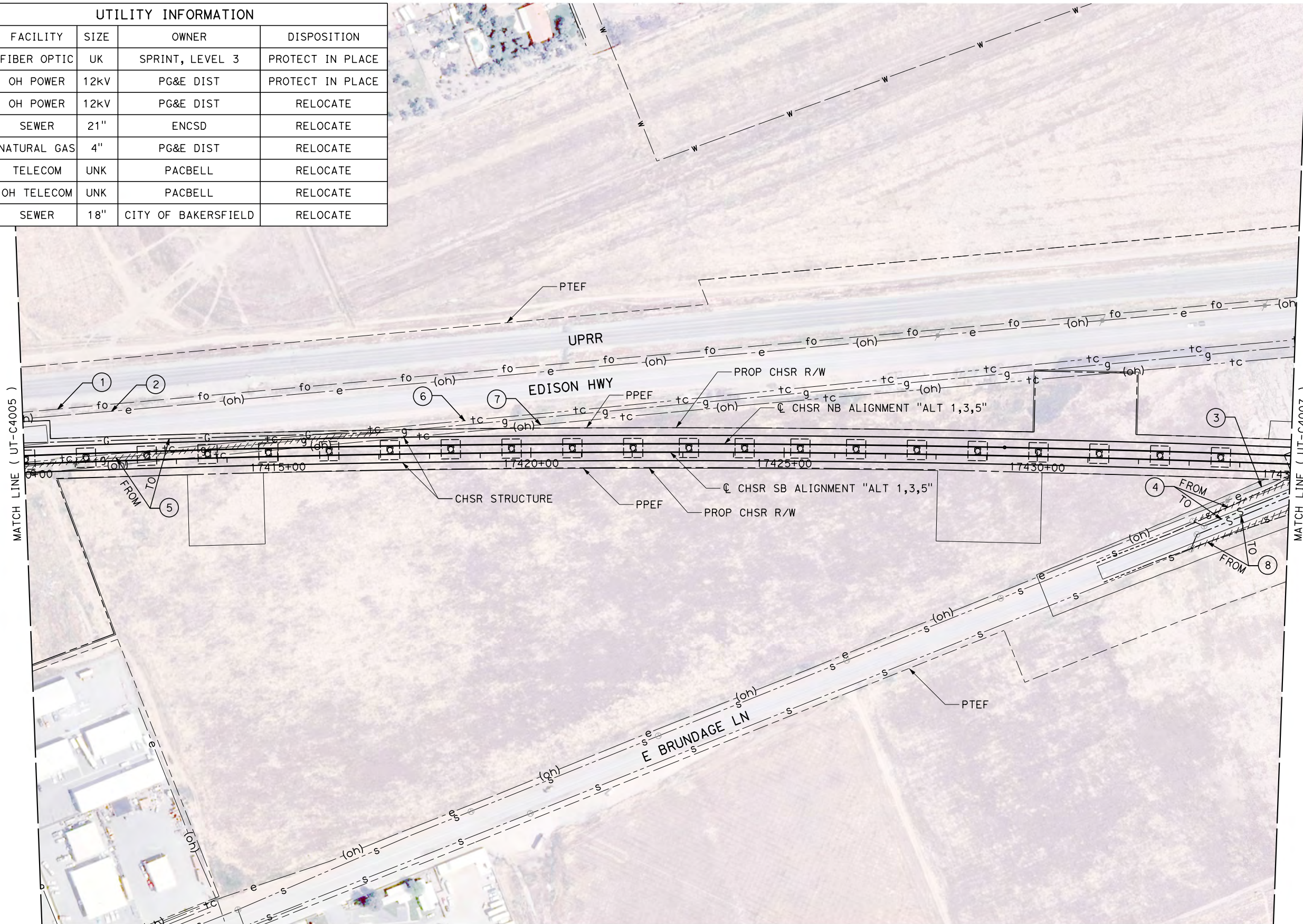


**CALIFORNIA HIGH-SPEED RAIL PROJECT  
 BAKERSFIELD TO PALMDALE**  
  
 ALTERNATIVE 1,3,5  
 COMPOSITE UTILITY PLAN  
 STA 17385+00 TO 17410+00

CONTRACT NO.  
**HSR13-44**  
 DRAWING NO.  
**UT-C4005**  
 SCALE  
**AS SHOWN**  
 SHEET NO.

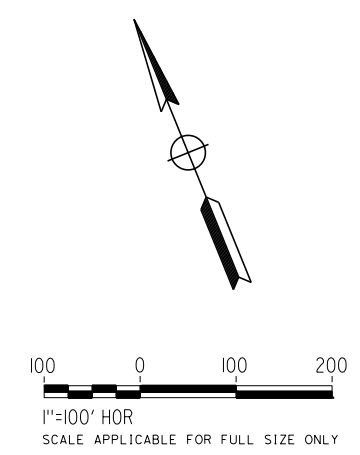


UTILITY INFORMATION				
#	FACILITY	SIZE	OWNER	DISPOSITION
1	FIBER OPTIC	UK	SPRINT, LEVEL 3	PROTECT IN PLACE
2	OH POWER	12KV	PG&E DIST	PROTECT IN PLACE
3	OH POWER	12KV	PG&E DIST	RELOCATE
4	SEWER	21"	ENCSD	RELOCATE
5	NATURAL GAS	4"	PG&E DIST	RELOCATE
6	TELECOM	UNK	PACBELL	RELOCATE
7	OH TELECOM	UNK	PACBELL	RELOCATE
8	SEWER	18"	CITY OF BAKERSFIELD	RELOCATE



MATCH LINE ( UT-C4005 )

MATCH LINE ( UT-C4007 )



11/7/2017 3:01:12 PM  
 OIC: Adodge  
 Projects\701206.00\_CHSRBP\00\_CADD\Sheet\_Files\UT\A1\BP-UT-C4006.dgn

REV	DATE	BY	CHK	APP	DESCRIPTION

DESIGNED BY  
**D. CONYERS**  
 DRAWN BY  
**H. TU**  
 CHECKED BY  
**D. ARUTA**  
 IN CHARGE  
**S. SMITH**  
 DATE  
**10/31/2017**

**RECORD  
 PECD  
 SUBMITTAL**  
  
**NOT FOR  
 CONSTRUCTION**

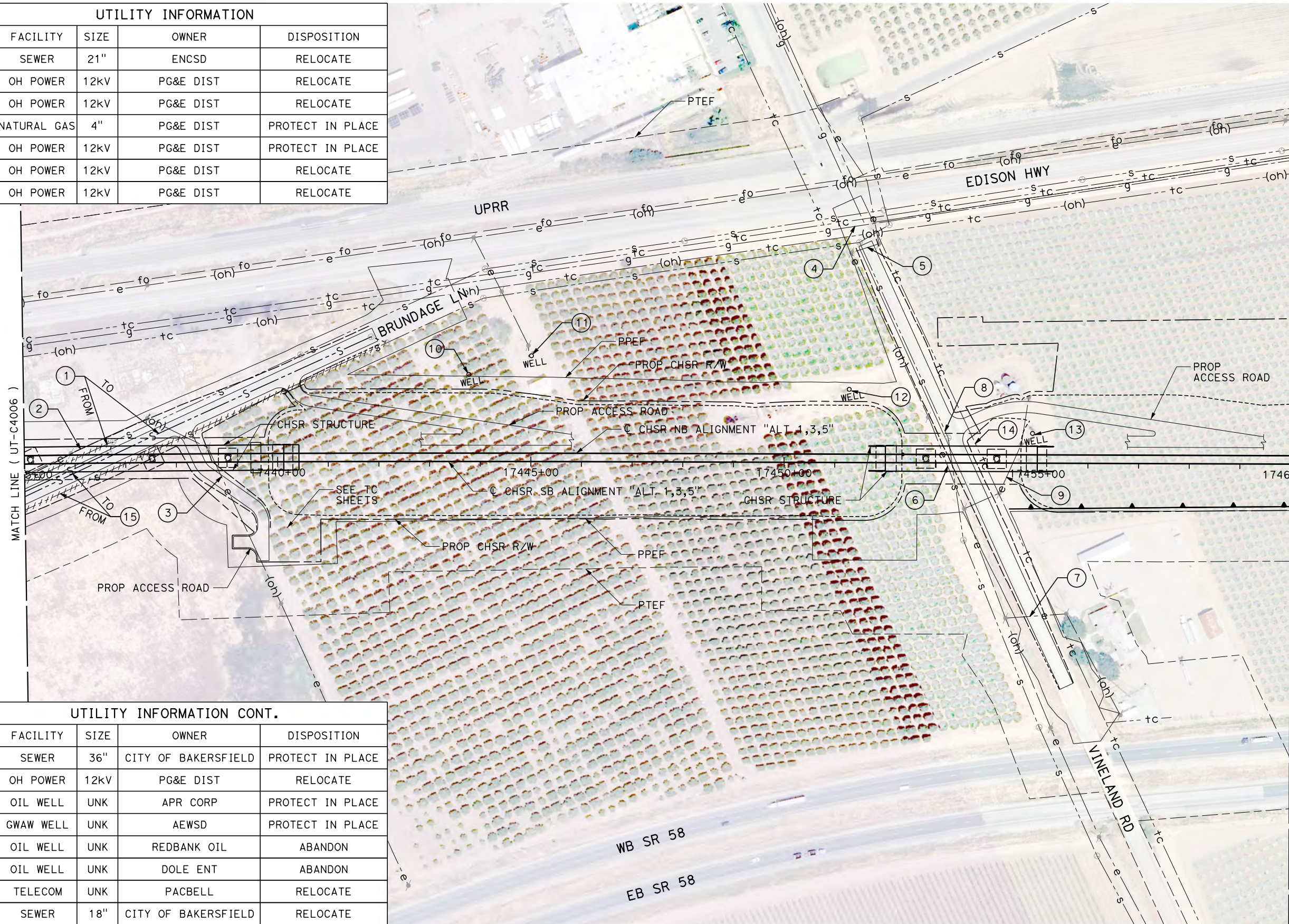


**CALIFORNIA HIGH-SPEED RAIL PROJECT**  
**BAKERSFIELD TO PALMDALE**  
  
 ALTERNATIVE 1,3,5  
 COMPOSITE UTILITY PLAN  
 STA 17410+00 TO 17435+00

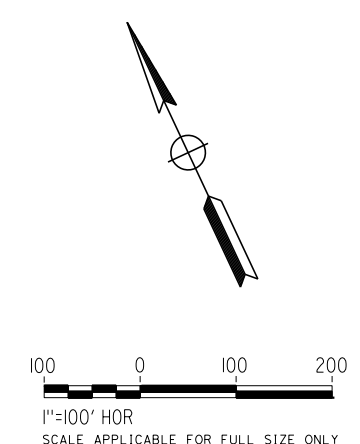
CONTRACT NO.  
**HSR13-44**  
 DRAWING NO.  
**UT-C4006**  
 SCALE  
**AS SHOWN**  
 SHEET NO.



UTILITY INFORMATION				
#	FACILITY	SIZE	OWNER	DISPOSITION
1	SEWER	21"	ENCSD	RELOCATE
2	OH POWER	12KV	PG&E DIST	RELOCATE
3	OH POWER	12KV	PG&E DIST	RELOCATE
4	NATURAL GAS	4"	PG&E DIST	PROTECT IN PLACE
5	OH POWER	12KV	PG&E DIST	PROTECT IN PLACE
6	OH POWER	12KV	PG&E DIST	RELOCATE
7	OH POWER	12KV	PG&E DIST	RELOCATE



UTILITY INFORMATION CONT.				
#	FACILITY	SIZE	OWNER	DISPOSITION
8	SEWER	36"	CITY OF BAKERSFIELD	PROTECT IN PLACE
9	OH POWER	12KV	PG&E DIST	RELOCATE
10	OIL WELL	UNK	APR CORP	PROTECT IN PLACE
11	GWAW WELL	UNK	AEWSD	PROTECT IN PLACE
12	OIL WELL	UNK	REDBANK OIL	ABANDON
13	OIL WELL	UNK	DOLE ENT	ABANDON
14	TELECOM	UNK	PACBELL	RELOCATE
15	SEWER	18"	CITY OF BAKERSFIELD	RELOCATE

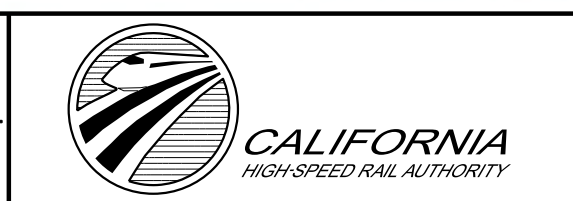


11/7/2017 3:01:10 PM  
 OIC:Adodge  
 Projects\701206\_00\_CHSRBP\00\_CADD\Sheet Files\UT\A\1\BP\_UT-C4007.dgn

REV	DATE	BY	CHK	APP	DESCRIPTION

DESIGNED BY  
**D. CONYERS**  
 DRAWN BY  
**H. TU**  
 CHECKED BY  
**D. ARUTA**  
 IN CHARGE  
**S. SMITH**  
 DATE  
**10/31/2017**

**RECORD  
 PECD  
 SUBMITTAL**  
  
**NOT FOR  
 CONSTRUCTION**



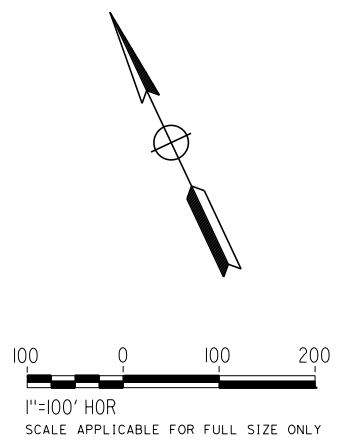
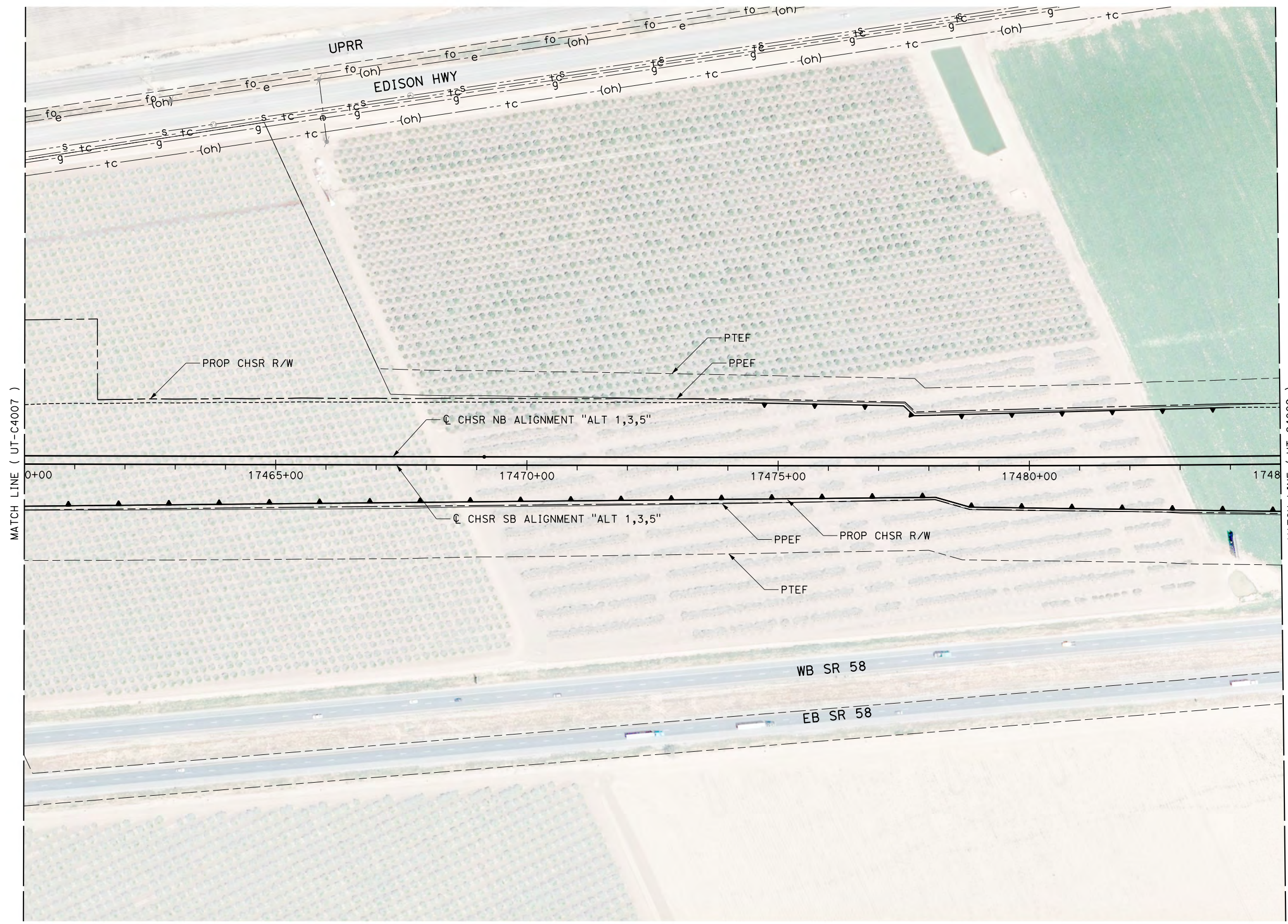
**CALIFORNIA HIGH-SPEED RAIL PROJECT**  
**BAKERSFIELD TO PALMDALE**  
  
 ALTERNATIVE 1,3,5  
 COMPOSITE UTILITY PLAN  
 STA 17435+00 TO 17460+00

CONTRACT NO.  
**HSR13-44**  
 DRAWING NO.  
**UT-C4007**  
 SCALE  
**AS SHOWN**  
 SHEET NO.



Projects\701206.00\_CHSRBP\00\_CADD\Sheet Files\UT\AI\1\_NBP-UT-C4008.dgn

OIC: Adodge 11/7/2017 3:00:16 PM



REV	DATE	BY	CHK	APP	DESCRIPTION

DESIGNED BY  
**D. CONYERS**  
DRAWN BY  
**H. TU**  
CHECKED BY  
**D. ARUTA**  
IN CHARGE  
**S. SMITH**  
DATE  
**10/31/2017**

**RECORD  
PEPD  
SUBMITTAL**

**NOT FOR  
CONSTRUCTION**



**CALIFORNIA HIGH-SPEED RAIL PROJECT  
BAKERSFIELD TO PALMDALE**

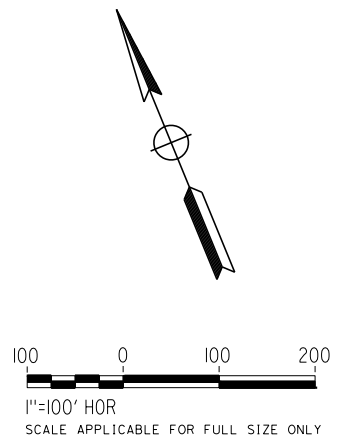
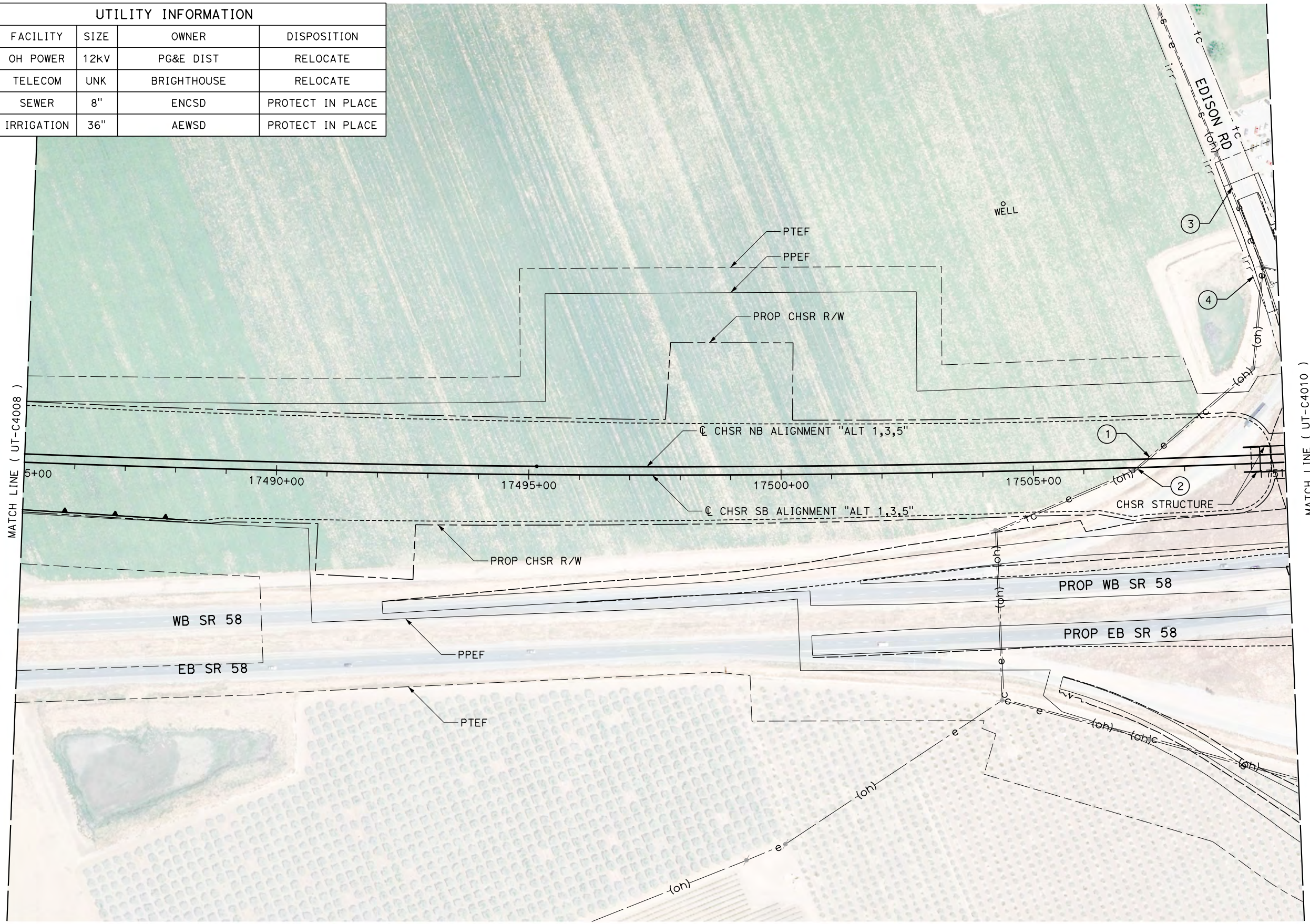
ALTERNATIVE 1,3,5  
COMPOSITE UTILITY PLAN  
STA 17460+00 TO 17485+00

CONTRACT NO.  
**HSR13-44**  
DRAWING NO.  
**UT-C4008**  
SCALE  
**AS SHOWN**  
SHEET NO.



O:\CADDodge 11/7/2017 3:10:38 PM Projects\701206.00\_CHSRBP\00\_CADD\Sheet Files\UT\AI1\BP-UT-C4009.dgn

UTILITY INFORMATION				
#	FACILITY	SIZE	OWNER	DISPOSITION
1	OH POWER	12KV	PG&E DIST	RELOCATE
2	TELECOM	UNK	BRIGHTHOUSE	RELOCATE
3	SEWER	8"	ENCSD	PROTECT IN PLACE
4	IRRIGATION	36"	AEWSD	PROTECT IN PLACE



REV	DATE	BY	CHK	APP	DESCRIPTION

DESIGNED BY  
**D. CONYERS**  
DRAWN BY  
**H. TU**  
CHECKED BY  
**D. ARUTA**  
IN CHARGE  
**S. SMITH**  
DATE  
**10/31/2017**

**RECORD  
PEPD  
SUBMITTAL**

**NOT FOR  
CONSTRUCTION**



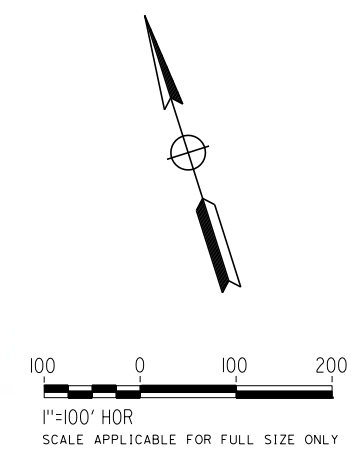
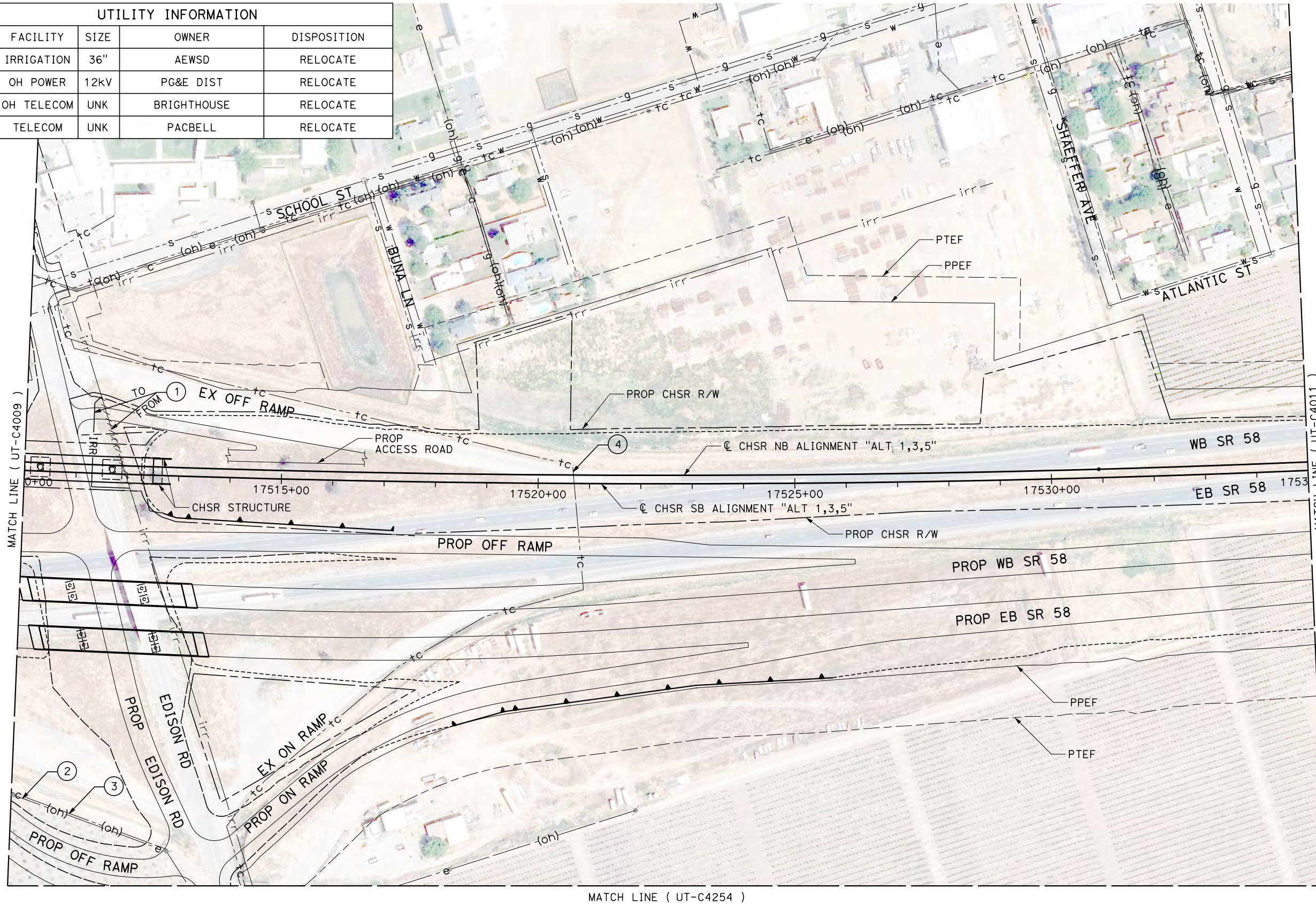
**CALIFORNIA HIGH-SPEED RAIL PROJECT  
BAKERSFIELD TO PALMDALE**

ALTERNATIVE 1,3,5  
COMPOSITE UTILITY PLAN  
STA 17485+00 TO 17510+00

CONTRACT NO.  
**HSR13-44**  
DRAWING NO.  
**UT-C4009**  
SCALE  
**AS SHOWN**  
SHEET NO.



UTILITY INFORMATION				
#	FACILITY	SIZE	OWNER	DISPOSITION
1	IRRIGATION	36"	AEWSD	RELOCATE
2	OH POWER	12KV	PG&E DIST	RELOCATE
3	OH TELECOM	UNK	BRIGHTHOUSE	RELOCATE
4	TELECOM	UNK	PACBELL	RELOCATE



Projects\701206.00\_CHSRBF\00\_CADD\Sheet Files\UT\A1\1\_NBP\_UT-C4010.dgn 11/7/2017 3:00:21 PM OIC:Adodge

REV	DATE	BY	CHK	APP	DESCRIPTION

DESIGNED BY  
**D. CONYERS**

DRAWN BY  
**H. TU**

CHECKED BY  
**D. ARUTA**

IN CHARGE  
**S. SMITH**

DATE  
**10/31/2017**

**RECORD  
PEPD  
SUBMITTAL**

**NOT FOR  
CONSTRUCTION**



**CALIFORNIA HIGH-SPEED RAIL PROJECT  
BAKERSFIELD TO PALMDALE**

ALTERNATIVE 1,3,5  
COMPOSITE UTILITY PLAN  
STA 17510+00 TO 17535+00

CONTRACT NO.  
**HSR13-44**

DRAWING NO.  
**UT-C4010**

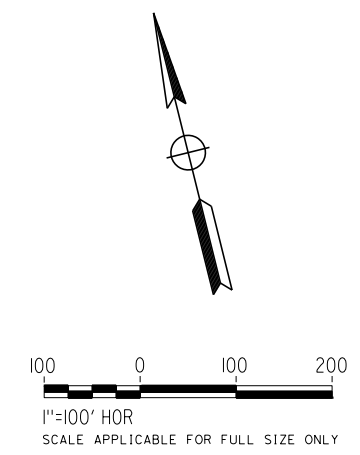
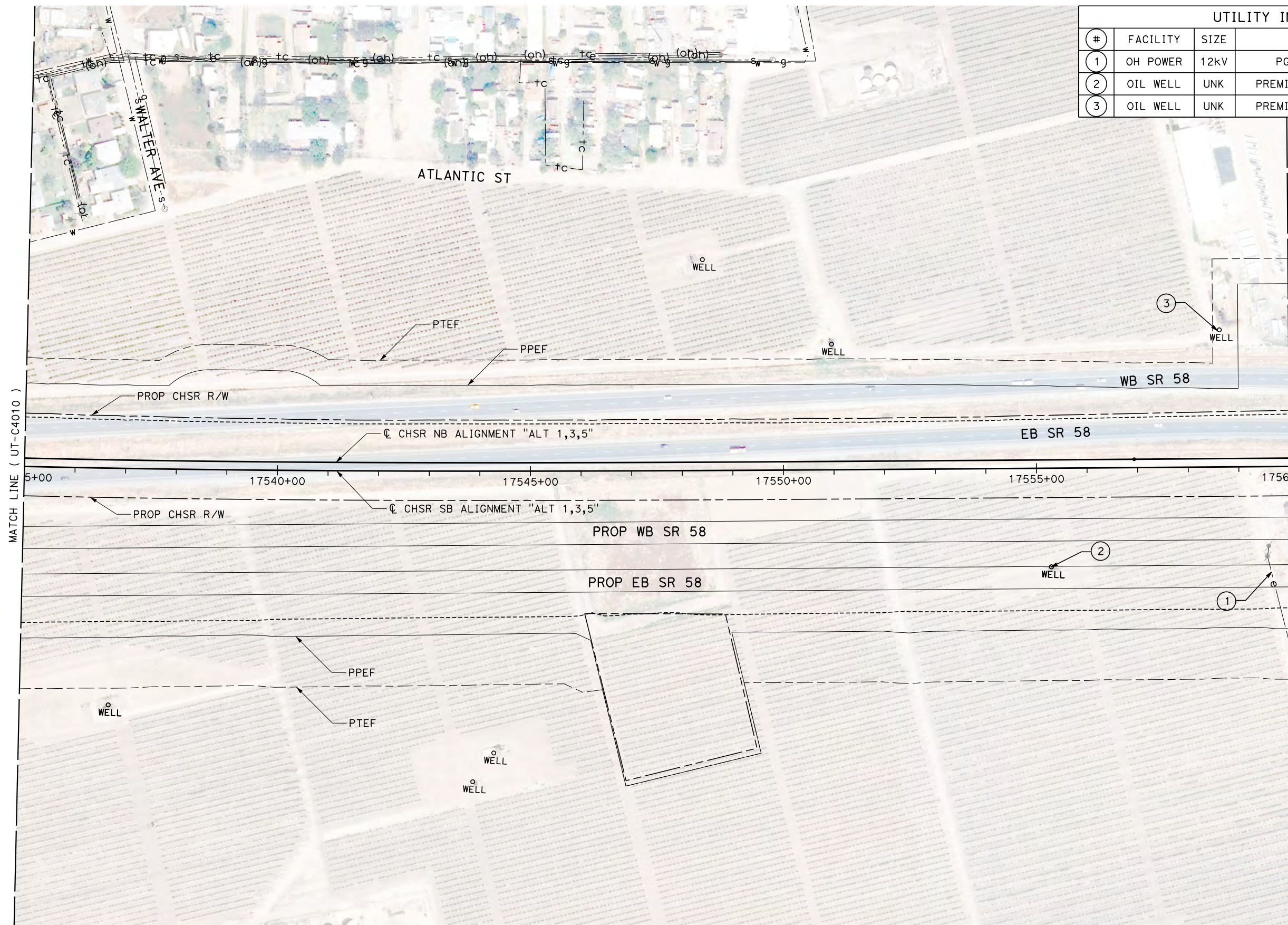
SCALE  
**AS SHOWN**

SHEET NO.



Projects\701206.00\_CHSRBP\00\_CADD\Sheet Files\UT\A1\BP\_UT-C4011.dgn  
 11/7/2017 3:09:41 PM  
 OIC:ADodge

UTILITY INFORMATION				
#	FACILITY	SIZE	OWNER	DISPOSITION
1	OH POWER	12KV	PG&E DIST	RELOCATE
2	OIL WELL	UNK	PREMIER PUMPING	ABANDON
3	OIL WELL	UNK	PREMIER PUMPING	PROTECT IN PLACE



REV	DATE	BY	CHK	APP	DESCRIPTION

DESIGNED BY  
**D. CONYERS**  
 DRAWN BY  
**H. TU**  
 CHECKED BY  
**D. ARUTA**  
 IN CHARGE  
**S. SMITH**  
 DATE  
**10/31/2017**

**RECORD  
 PEPD  
 SUBMITTAL**  
  
**NOT FOR  
 CONSTRUCTION**



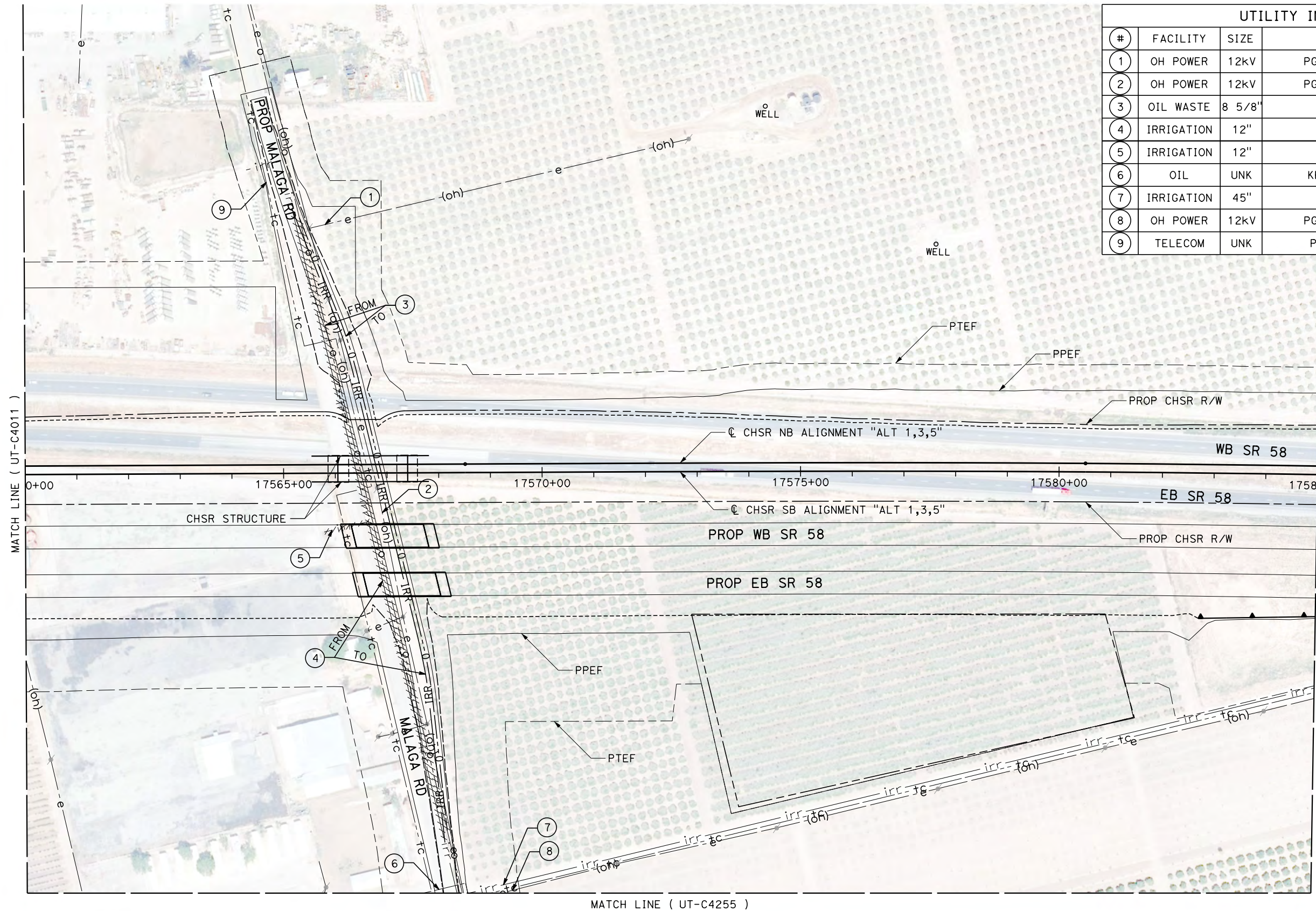
**CALIFORNIA HIGH-SPEED RAIL PROJECT  
 BAKERSFIELD TO PALMDALE**  
  
 ALTERNATIVE 1,3,5  
 COMPOSITE UTILITY PLAN  
 STA 17535+00 TO 17560+00

CONTRACT NO.  
**HSR13-44**  
 DRAWING NO.  
**UT-C4011**  
 SCALE  
**AS SHOWN**  
 SHEET NO.

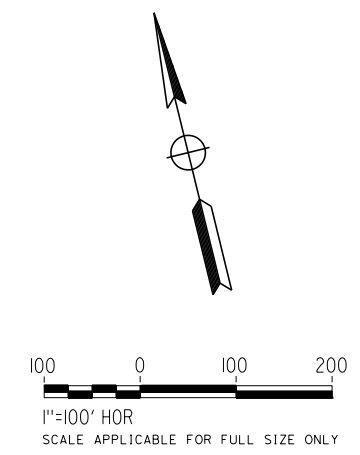


Projects\701206.00\_CHSRBP\00\_CADD\Sheet\_Files\UT\AI\1\BP-UT-C4012.dgn

OIC:Adodge 11/7/2017 2:56:08 PM



UTILITY INFORMATION				
#	FACILITY	SIZE	OWNER	DISPOSITION
1	OH POWER	12kV	PG&E DIST	RELOCATE
2	OH POWER	12kV	PG&E DIST	RELOCATE
3	OIL WASTE	8 5/8"	VWMC	RELOCATE
4	IRRIGATION	12"	AEWSD	RELOCATE
5	IRRIGATION	12"	AEWSD	REMOVE
6	OIL	UNK	KERN OIL	PROTECT IN PLACE
7	IRRIGATION	45"	AEWSD	PROTECT IN PLACE
8	OH POWER	12kV	PG&E DIST	PROTECT IN PLACE
9	TELECOM	UNK	PACBELL	RELOCATE



REV	DATE	BY	CHK	APP	DESCRIPTION

DESIGNED BY  
**D. CONYERS**  
DRAWN BY  
**H. TU**  
CHECKED BY  
**D. ARUTA**  
IN CHARGE  
**S. SMITH**  
DATE  
**10/31/2017**

**RECORD  
PEPD  
SUBMITTAL**

**NOT FOR  
CONSTRUCTION**



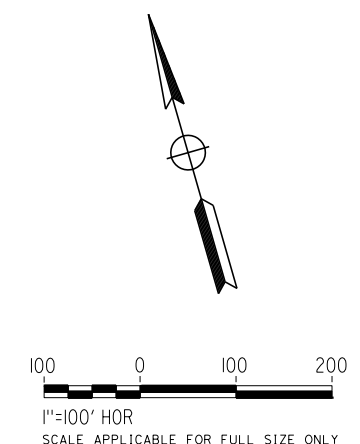
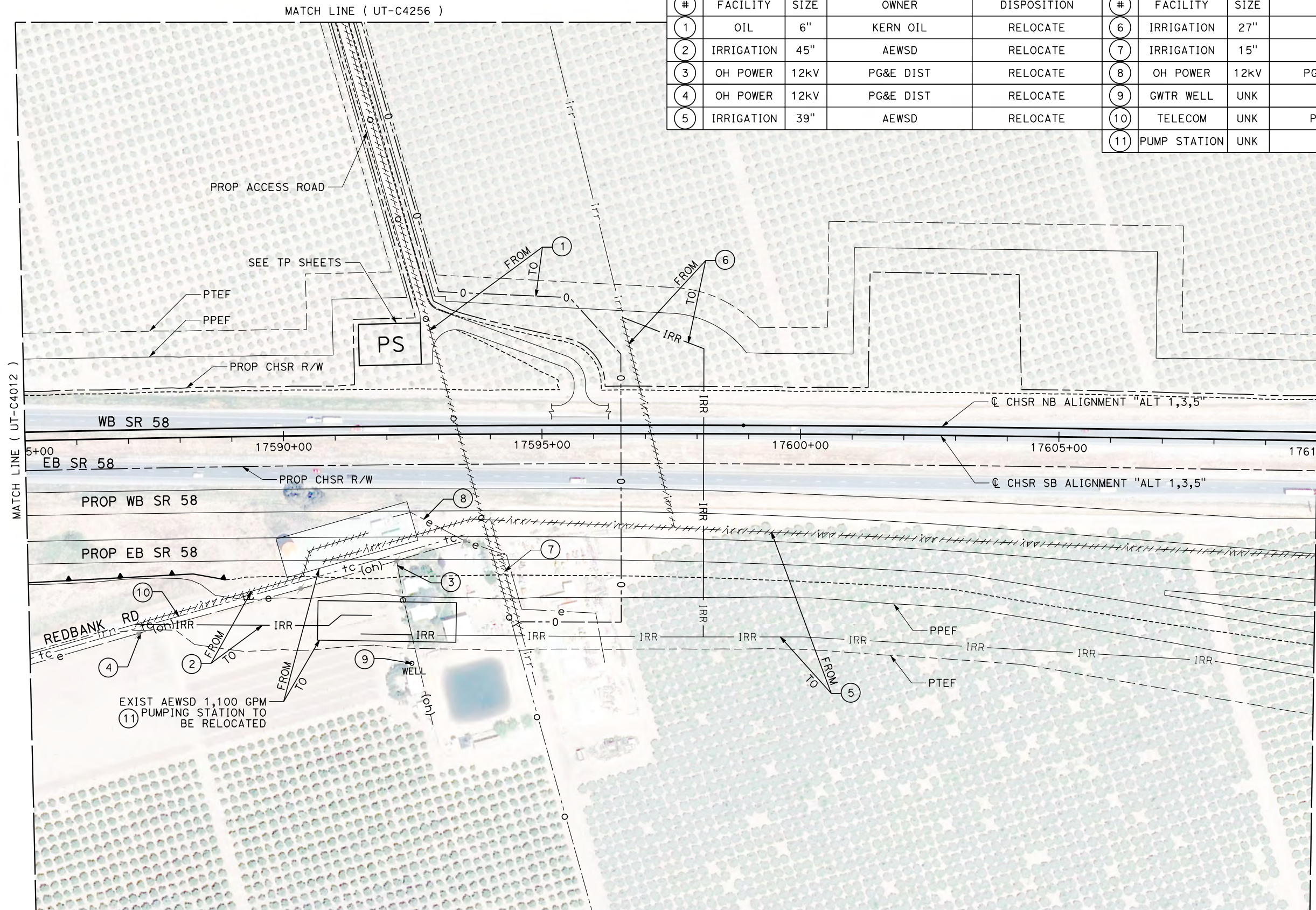
**CALIFORNIA HIGH-SPEED RAIL PROJECT  
BAKERSFIELD TO PALMDALE**

ALTERNATIVE 1,3,5  
COMPOSITE UTILITY PLAN  
STA 17560+00 TO 17585+00

CONTRACT NO.  
**HSR13-44**  
DRAWING NO.  
**UT-C4012**  
SCALE  
**AS SHOWN**  
SHEET NO.



UTILITY INFORMATION					UTILITY INFORMATION CONT.				
#	FACILITY	SIZE	OWNER	DISPOSITION	#	FACILITY	SIZE	OWNER	DISPOSITION
1	OIL	6"	KERN OIL	RELOCATE	6	IRRIGATION	27"	AEWSD	RELOCATE
2	IRRIGATION	45"	AEWSD	RELOCATE	7	IRRIGATION	15"	AEWSD	REMOVE
3	OH POWER	12kV	PG&E DIST	RELOCATE	8	OH POWER	12kV	PG&E DIST	RELOCATE
4	OH POWER	12kV	PG&E DIST	RELOCATE	9	GWTR WELL	UNK	AEWSD	PROTECT IN PLACE
5	IRRIGATION	39"	AEWSD	RELOCATE	10	TELECOM	UNK	PACBELL	RELOCATE
					11	PUMP STATION	UNK	AEWSD	RELOCATE



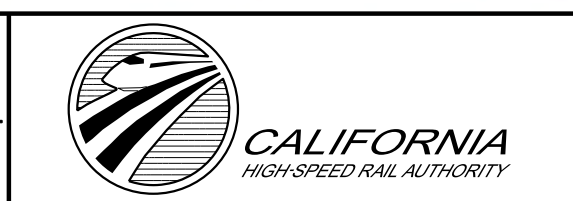
Projects\701206.00\_CHSRBP\00\_CADD\Sheet\_Files\UT\1\1\BP-UT-C4013.dgn 11/7/2017 2:31:13 PM OIC:Adodge

REV	DATE	BY	CHK	APP	DESCRIPTION

DESIGNED BY  
**D. CONYERS**  
DRAWN BY  
**H. TU**  
CHECKED BY  
**D. ARUTA**  
IN CHARGE  
**S. SMITH**  
DATE  
**10/31/2017**

**RECORD  
PEPD  
SUBMITTAL**

**NOT FOR  
CONSTRUCTION**



**CALIFORNIA HIGH-SPEED RAIL PROJECT  
BAKERSFIELD TO PALMDALE**

ALTERNATIVE 1,3,5  
COMPOSITE UTILITY PLAN  
STA 17585+00 TO 17610+00

CONTRACT NO.  
**HSR13-44**

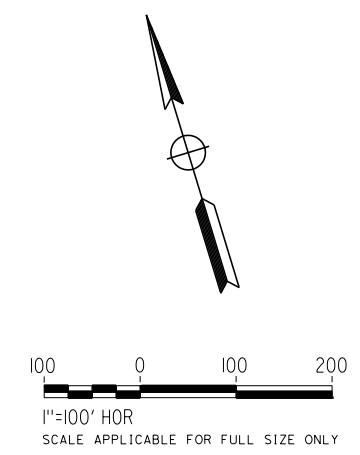
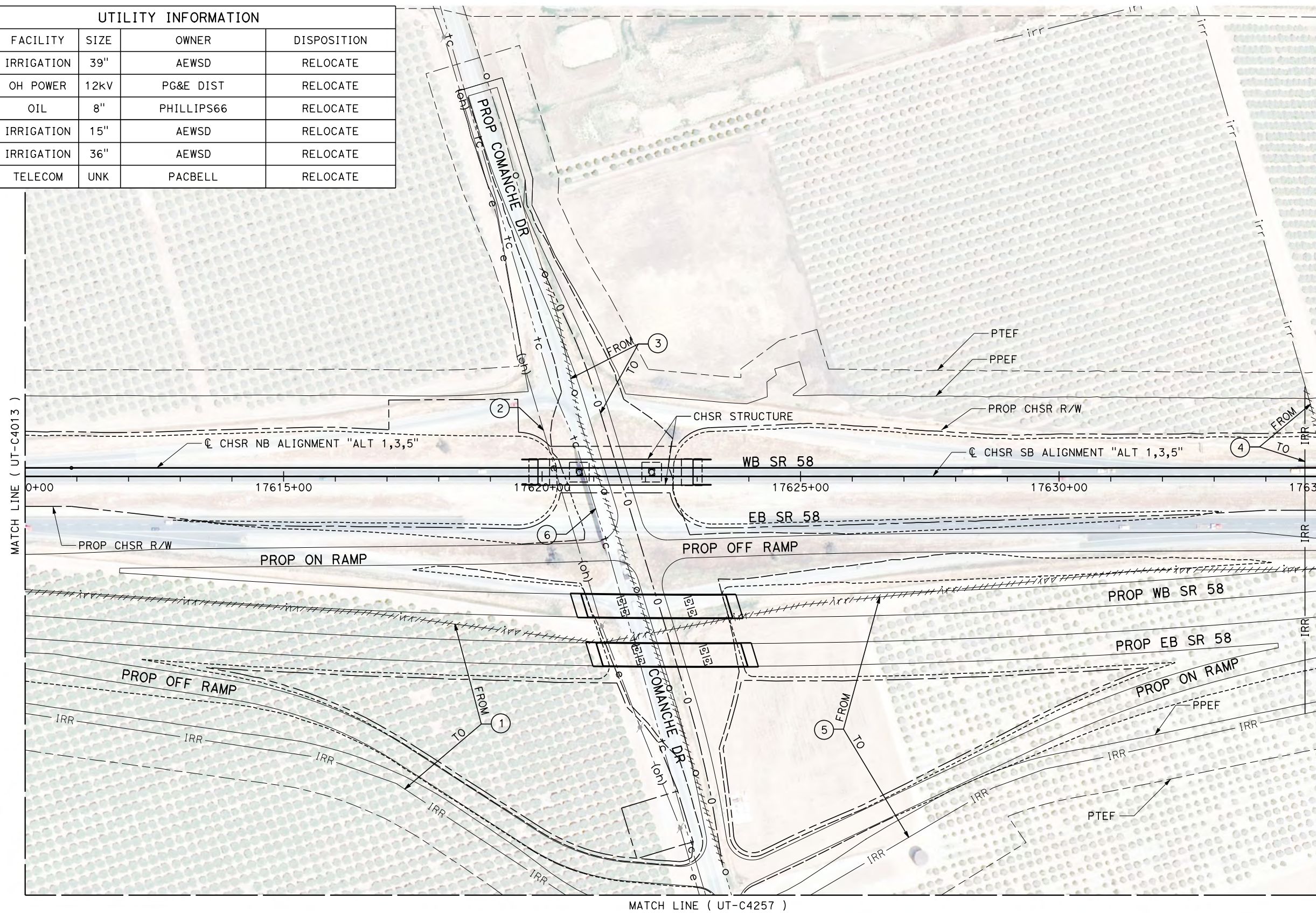
DRAWING NO.  
**UT-C4013**

SCALE  
**AS SHOWN**

SHEET NO.



UTILITY INFORMATION				
#	FACILITY	SIZE	OWNER	DISPOSITION
1	IRRIGATION	39"	AEWSD	RELOCATE
2	OH POWER	12kV	PG&E DIST	RELOCATE
3	OIL	8"	PHILLIPS66	RELOCATE
4	IRRIGATION	15"	AEWSD	RELOCATE
5	IRRIGATION	36"	AEWSD	RELOCATE
6	TELECOM	UNK	PACBELL	RELOCATE



Projects\701206.00\_CHSRBP\00\_CADD\Sheet\_Files\UT\AI\1\BP-UT-C4014.dgn 11/7/2017 8:16:12 PM OIC:Adodge

REV	DATE	BY	CHK	APP	DESCRIPTION

DESIGNED BY  
**D. CONYERS**  
DRAWN BY  
**H. TU**  
CHECKED BY  
**D. ARUTA**  
IN CHARGE  
**S. SMITH**  
DATE  
**10/31/2017**

**RECORD  
PEPD  
SUBMITTAL**

**NOT FOR  
CONSTRUCTION**



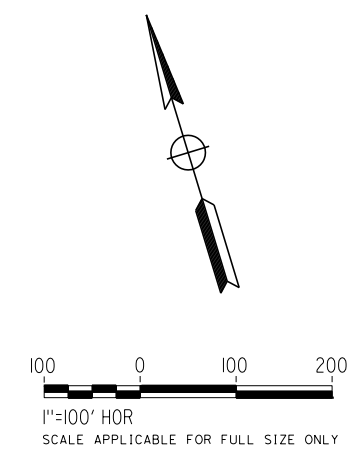
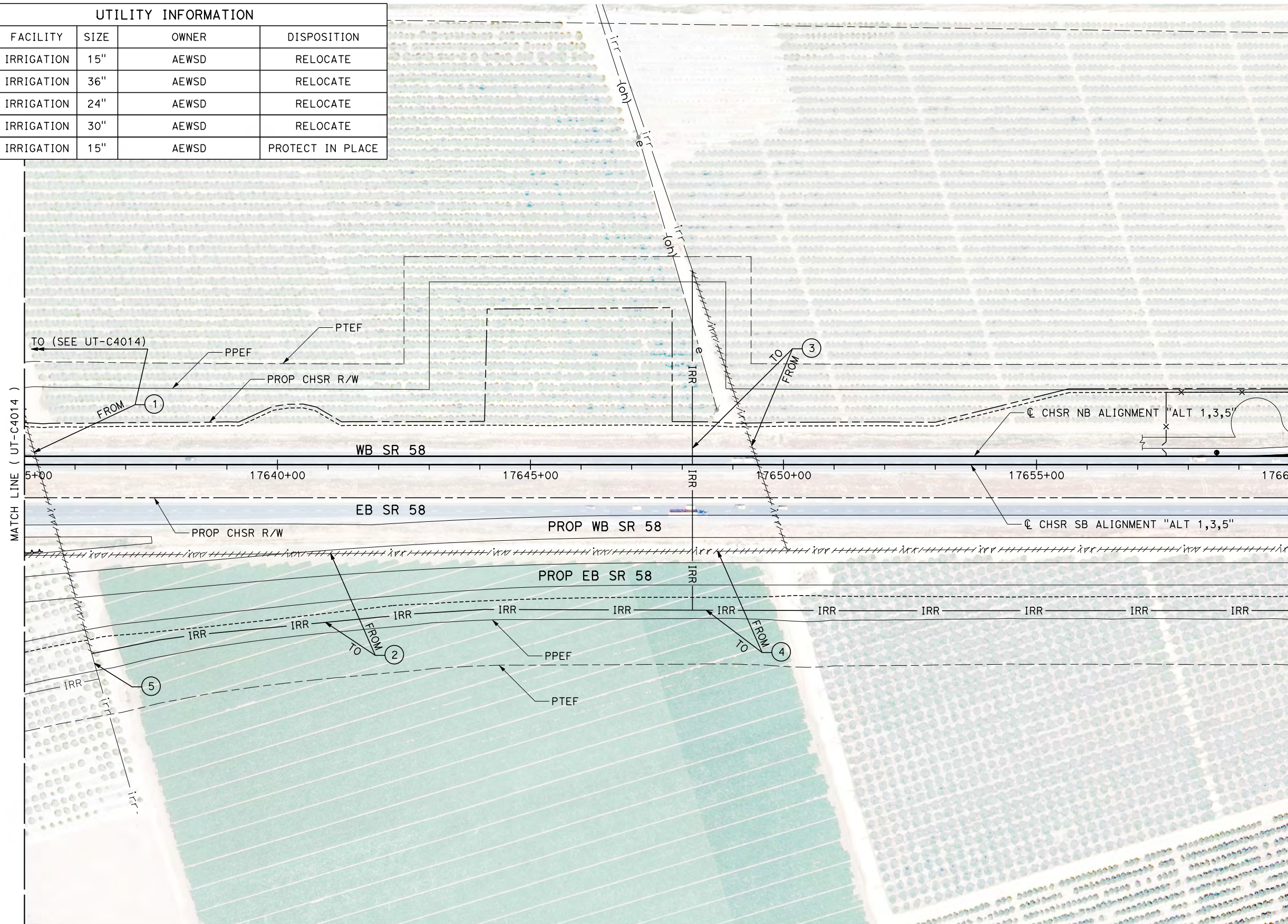
**CALIFORNIA HIGH-SPEED RAIL PROJECT  
BAKERSFIELD TO PALMDALE**

ALTERNATIVE 1,3,5  
COMPOSITE UTILITY PLAN  
STA 17610+00 TO 17635+00

CONTRACT NO.  
**HSR13-44**  
DRAWING NO.  
**UT-C4014**  
SCALE  
**AS SHOWN**  
SHEET NO.



UTILITY INFORMATION				
#	FACILITY	SIZE	OWNER	DISPOSITION
1	IRRIGATION	15"	AEWSD	RELOCATE
2	IRRIGATION	36"	AEWSD	RELOCATE
3	IRRIGATION	24"	AEWSD	RELOCATE
4	IRRIGATION	30"	AEWSD	RELOCATE
5	IRRIGATION	15"	AEWSD	PROTECT IN PLACE



11/7/2017 2:31:12 PM  
 Projects\701206\_00\_CHSRBP\00\_CADD\Sheet\_Files\UT\A1\1\BP-UT-C4015.dgn  
 OIC:Adodge

REV	DATE	BY	CHK	APP	DESCRIPTION

DESIGNED BY  
**D. CONYERS**  
 DRAWN BY  
**H. TU**  
 CHECKED BY  
**D. ARUTA**  
 IN CHARGE  
**S. SMITH**  
 DATE  
**10/31/2017**

**RECORD  
 PEPD  
 SUBMITTAL**  
  
**NOT FOR  
 CONSTRUCTION**

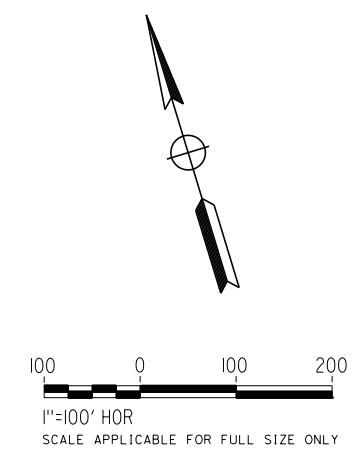
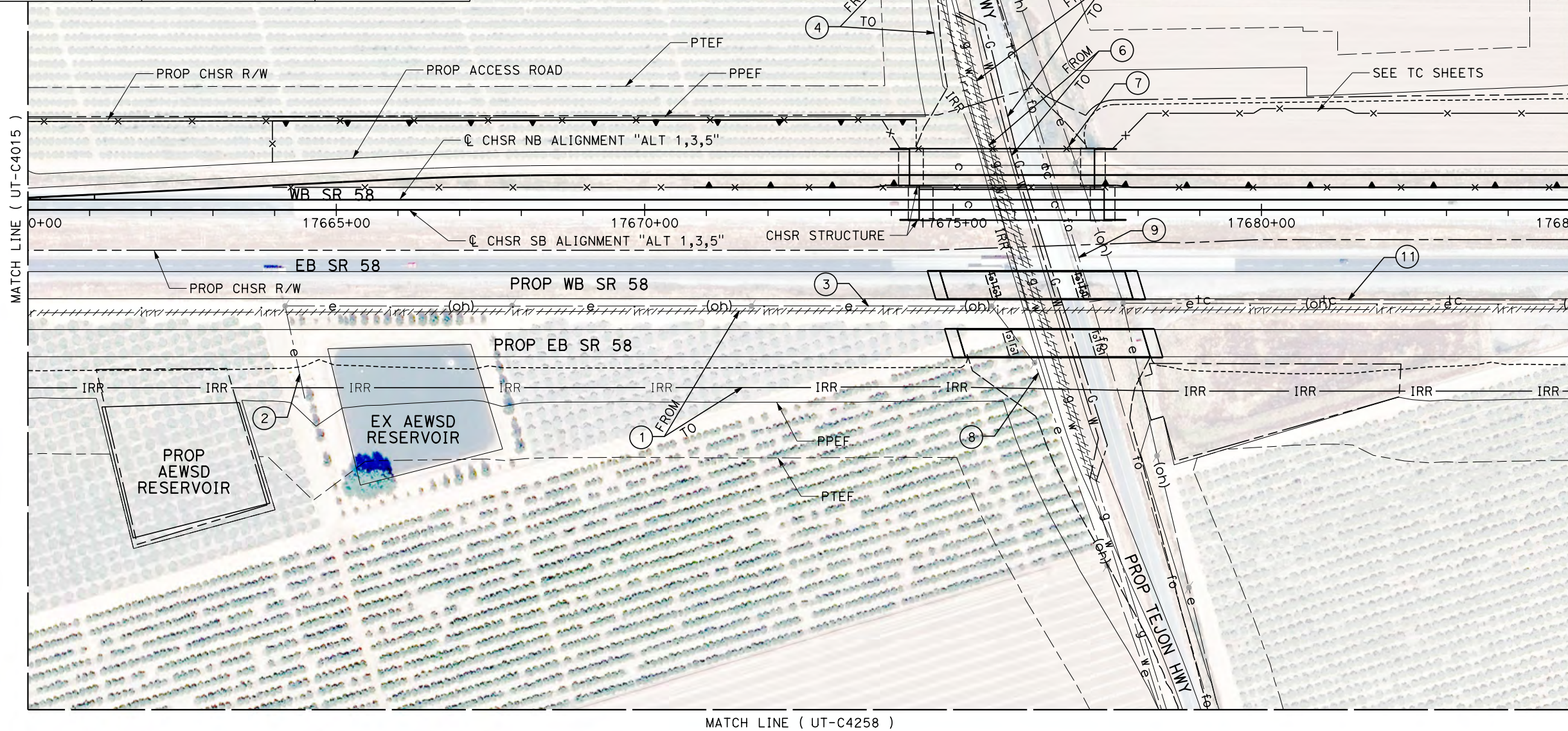


**CALIFORNIA HIGH-SPEED RAIL PROJECT  
 BAKERSFIELD TO PALMDALE**  
  
 ALTERNATIVE 1,3,5  
 COMPOSITE UTILITY PLAN  
 STA 17635+00 TO 17660+00

CONTRACT NO.  
**HSR13-44**  
 DRAWING NO.  
**UT-C4015**  
 SCALE  
**AS SHOWN**  
 SHEET NO.



UTILITY INFORMATION				
#	FACILITY	SIZE	OWNER	DISPOSITION
1	IRRIGATION	30"	AEWSD	RELOCATE
2	OH POWER	12kV	PG&E DIST	RELOCATE
3	OH POWER	12kV	PG&E DIST	RELOCATE
4	IRRIGATION	15"	AEWSD	RELOCATE
5	NATURAL GAS	3"	NAFTEX	RELOCATE
6	WATER	3"	NAFTEX	RELOCATE
7	OH POWER	12kV	PG&E DIST	RELOCATE
8	OH POWER	12kV	PG&E DIST	RELOCATE
9	FIBER OPTIC	UNK	SPRINT, LEVEL 3	RELOCATE
10	TELECOM	UNK	PACBELL	RELOCATE
11	TELECOM	UNK	PACBELL	RELOCATE



Projects\701206.00\_CHSRBP\00\_CADD\Sheet\_Files\UT\1\BP-UT-C4016.dgn 11/7/2017 2:31:23 PM OIC:Adodge

REV	DATE	BY	CHK	APP	DESCRIPTION

DESIGNED BY  
**D. CONYERS**  
DRAWN BY  
**H. TU**  
CHECKED BY  
**D. ARUTA**  
IN CHARGE  
**S. SMITH**  
DATE  
**10/31/2017**

**RECORD  
PEPD  
SUBMITTAL**

**NOT FOR  
CONSTRUCTION**



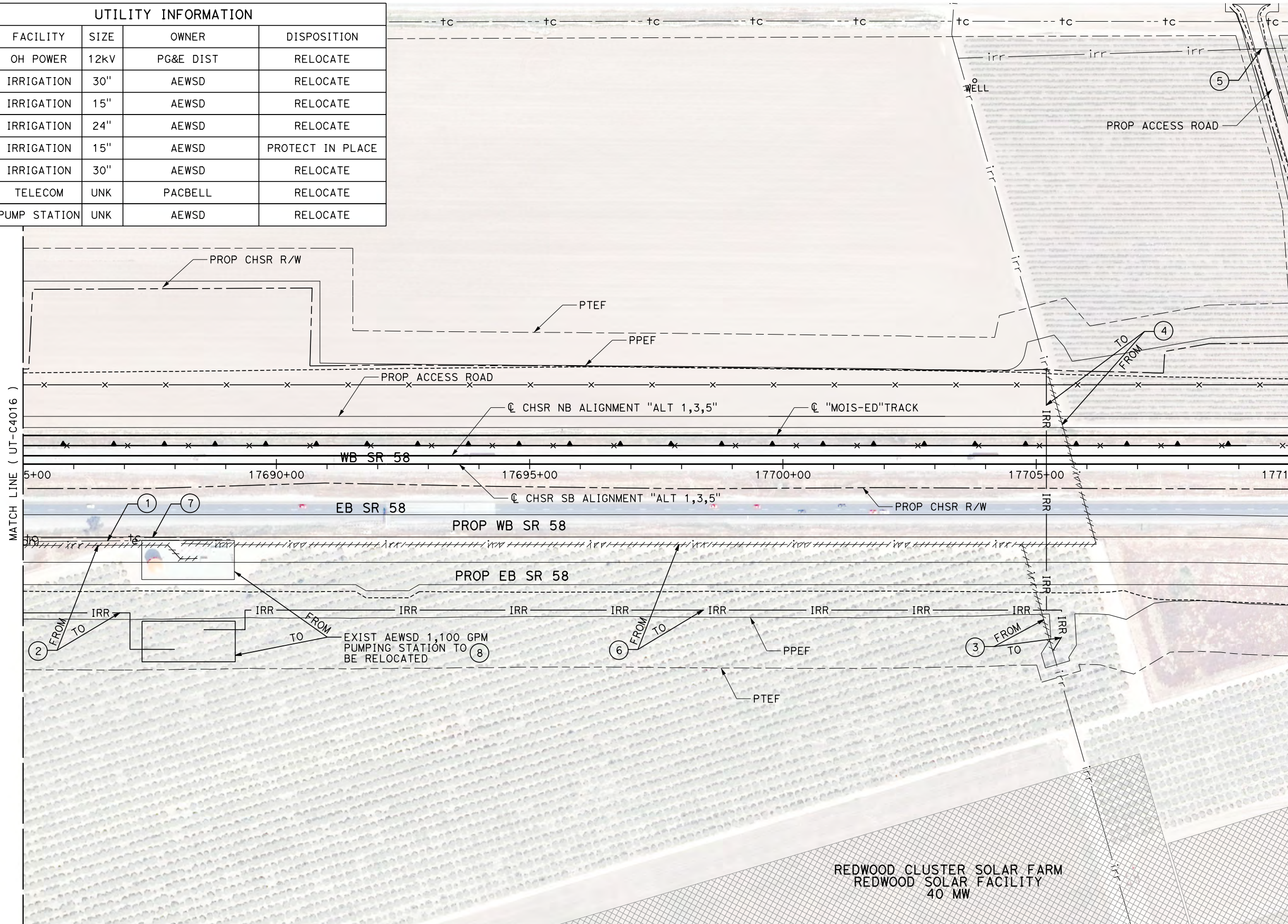
**CALIFORNIA HIGH-SPEED RAIL PROJECT  
BAKERSFIELD TO PALMDALE**

ALTERNATIVE 1,3,5  
COMPOSITE UTILITY PLAN  
STA 17660+00 TO 17685+00

CONTRACT NO.  
**HSR13-44**  
DRAWING NO.  
**UT-C4016**  
SCALE  
**AS SHOWN**  
SHEET NO.

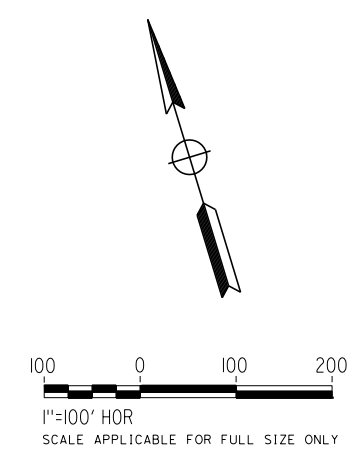


UTILITY INFORMATION				
#	FACILITY	SIZE	OWNER	DISPOSITION
1	OH POWER	12KV	PG&E DIST	RELOCATE
2	IRRIGATION	30"	AEWSD	RELOCATE
3	IRRIGATION	15"	AEWSD	RELOCATE
4	IRRIGATION	24"	AEWSD	RELOCATE
5	IRRIGATION	15"	AEWSD	PROTECT IN PLACE
6	IRRIGATION	30"	AEWSD	RELOCATE
7	TELECOM	UNK	PACBELL	RELOCATE
8	PUMP STATION	UNK	AEWSD	RELOCATE



MATCH LINE ( UT-C4016 )

MATCH LINE ( UT-C4018 )



Projects\701206.00\_CHSRBP\00\_CADD\Sheet Files\UT\A1\1\_NBP-UT-C4017.dgn 11/7/2017 2:31:18 PM OIC:Adodge

REV	DATE	BY	CHK	APP	DESCRIPTION

DESIGNED BY  
**D. CONYERS**

DRAWN BY  
**H. TU**

CHECKED BY  
**D. ARUTA**

IN CHARGE  
**S. SMITH**

DATE  
**10/31/2017**

**RECORD  
PEPD  
SUBMITTAL**

**NOT FOR  
CONSTRUCTION**



**CALIFORNIA HIGH-SPEED RAIL PROJECT  
BAKERSFIELD TO PALMDALE**

ALTERNATIVE 1,3,5  
COMPOSITE UTILITY PLAN  
STA 17685+00 TO 17710+00

CONTRACT NO.  
**HSR13-44**

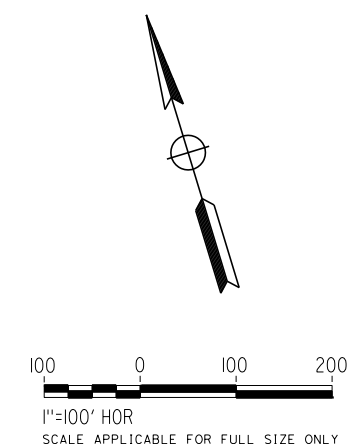
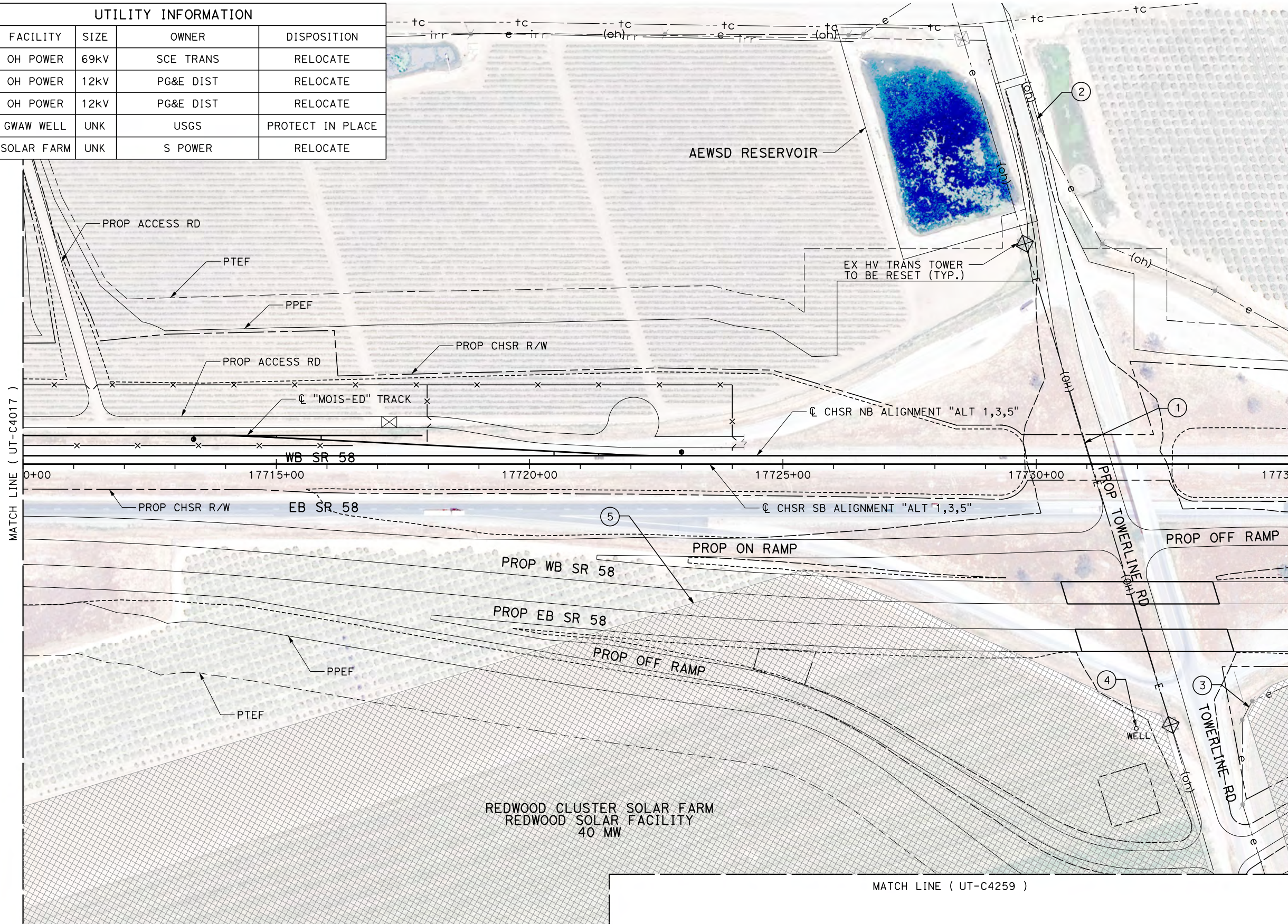
DRAWING NO.  
**UT-C4017**

SCALE  
**AS SHOWN**

SHEET NO.



UTILITY INFORMATION				
#	FACILITY	SIZE	OWNER	DISPOSITION
1	OH POWER	69kV	SCE TRANS	RELOCATE
2	OH POWER	12kV	PG&E DIST	RELOCATE
3	OH POWER	12kV	PG&E DIST	RELOCATE
4	GWAW WELL	UNK	USGS	PROTECT IN PLACE
5	SOLAR FARM	UNK	S POWER	RELOCATE



Projects\701206.00\_CHSRBP\00\_CADD\Sheet\_Files\UT\A1\1\_NBP-UT-C4018.dgn  
 11/7/2017 2:31:12 PM  
 OIC:Adodge

REV	DATE	BY	CHK	APP	DESCRIPTION

DESIGNED BY  
**D. CONYERS**  
 DRAWN BY  
**H. TU**  
 CHECKED BY  
**D. ARUTA**  
 IN CHARGE  
**S. SMITH**  
 DATE  
**10/31/2017**

**RECORD  
 PEPD  
 SUBMITTAL**  
  
**NOT FOR  
 CONSTRUCTION**

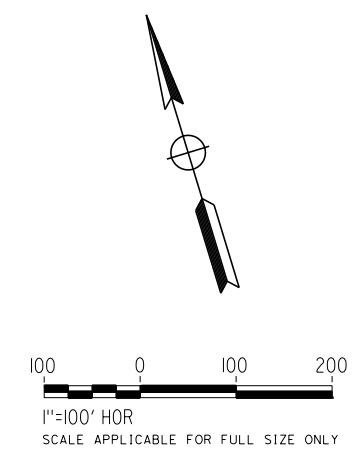
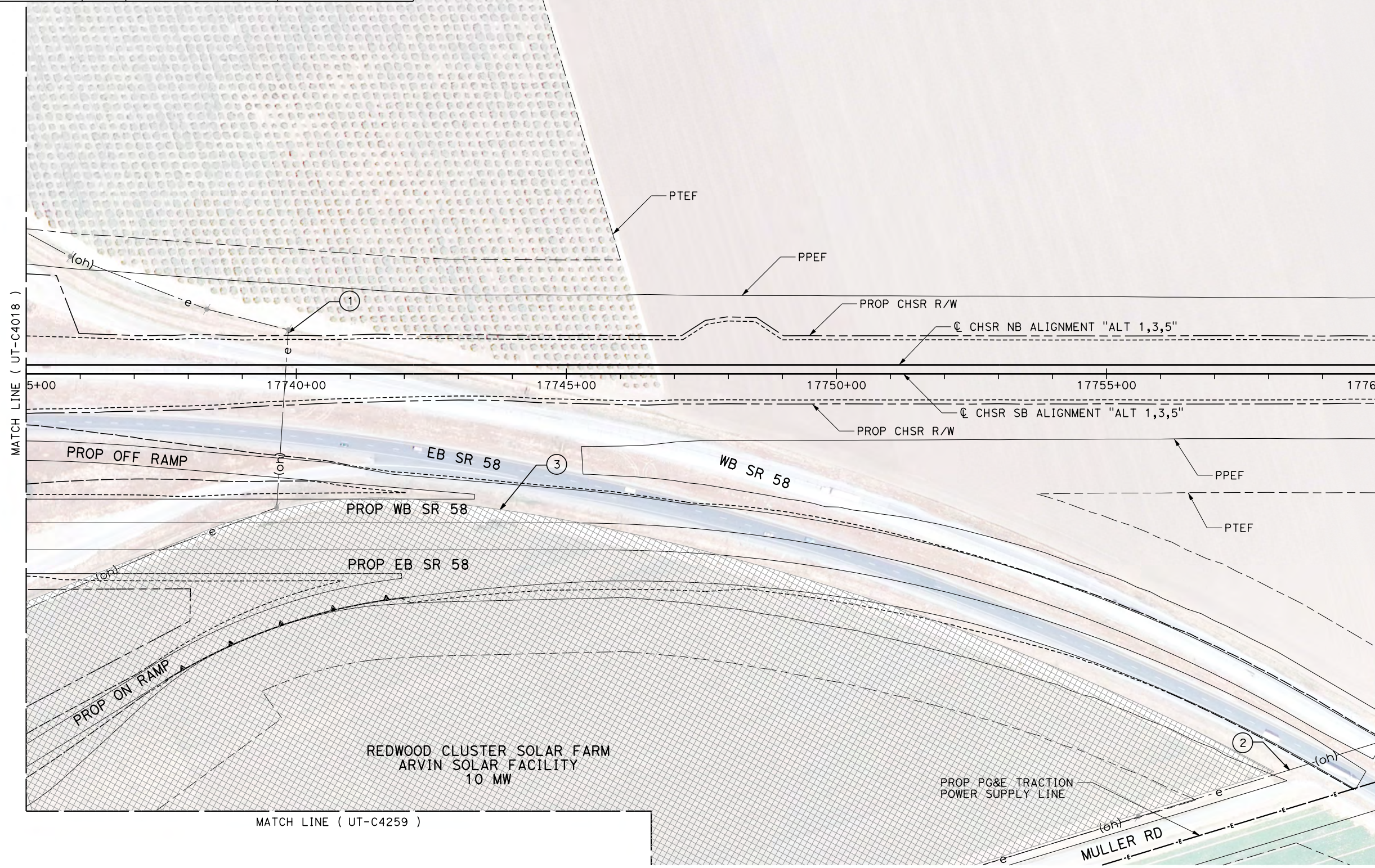


**CALIFORNIA HIGH-SPEED RAIL PROJECT  
 BAKERSFIELD TO PALMDALE**  
  
 ALTERNATIVE 1,3,5  
 COMPOSITE UTILITY PLAN  
 STA 17710+00 TO 17735+00

CONTRACT NO.  
**HSR13-44**  
 DRAWING NO.  
**UT-C4018**  
 SCALE  
**AS SHOWN**  
 SHEET NO.



UTILITY INFORMATION				
#	FACILITY	SIZE	OWNER	DISPOSITION
1	OH POWER	12KV	PG&E DIST	RELOCATE
2	OH POWER	12KV	PG&E DIST	RELOCATE
3	SOLAR FARM	UNK	S POWER	RELOCATE



Projects\701206.00\_CHSRBP\00\_CADD\Sheet Files\UT\A1\1\_NBP-UT-C4019.dgn 11/7/2017 2:31:56 PM OIC:Adodge

REV	DATE	BY	CHK	APP	DESCRIPTION

DESIGNED BY  
**D. CONYERS**  
DRAWN BY  
**H. TU**  
CHECKED BY  
**D. ARUTA**  
IN CHARGE  
**S. SMITH**  
DATE  
**10/31/2017**

**RECORD  
PEPD  
SUBMITTAL**

**NOT FOR  
CONSTRUCTION**



**CALIFORNIA HIGH-SPEED RAIL PROJECT  
BAKERSFIELD TO PALMDALE**

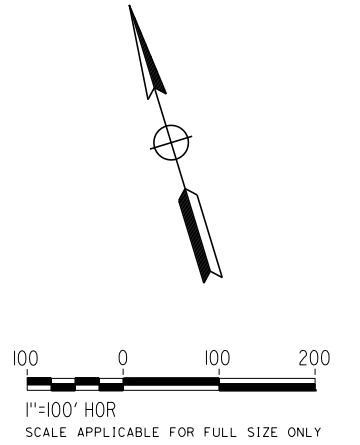
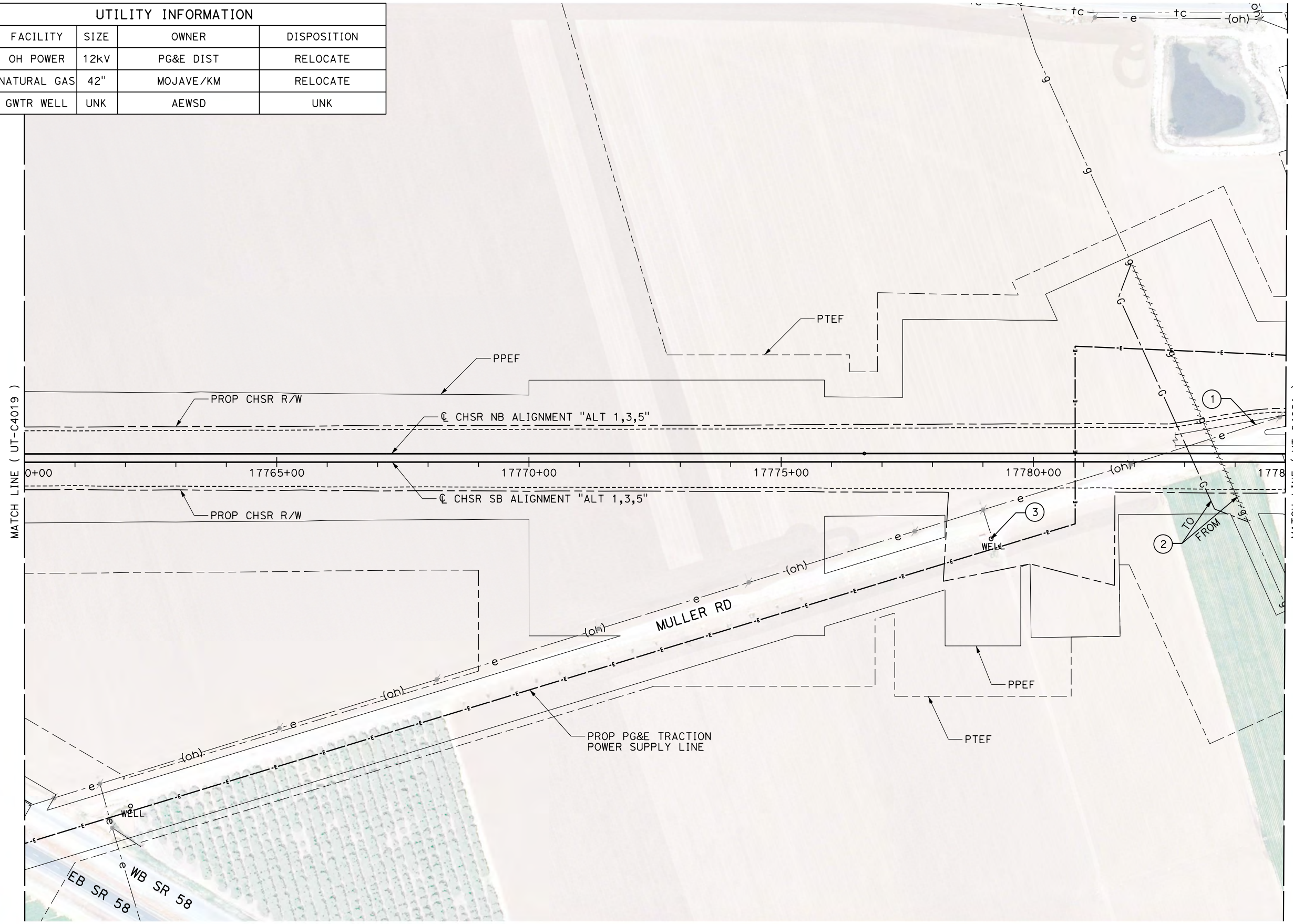
ALTERNATIVE 1,3,5  
COMPOSITE UTILITY PLAN  
STA 17735+00 TO 17760+00

CONTRACT NO.  
**HSR13-44**  
DRAWING NO.  
**UT-C4019**  
SCALE  
**AS SHOWN**  
SHEET NO.



11/7/2017 2:31:22 PM OIC:Adodge Projects\701206.00\_CHSRBP\00\_CADD\Sheet Files\UT\AI\1\BP-UT-C4020.dgn

UTILITY INFORMATION				
#	FACILITY	SIZE	OWNER	DISPOSITION
1	OH POWER	12KV	PG&E DIST	RELOCATE
2	NATURAL GAS	42"	MOJAVE/KM	RELOCATE
3	GWTR WELL	UNK	AEWSD	UNK



REV	DATE	BY	CHK	APP	DESCRIPTION

DESIGNED BY  
**D. CONYERS**  
 DRAWN BY  
**H. TU**  
 CHECKED BY  
**D. ARUTA**  
 IN CHARGE  
**S. SMITH**  
 DATE  
**10/31/2017**

**RECORD  
PEPD  
SUBMITTAL**  
  
**NOT FOR  
CONSTRUCTION**



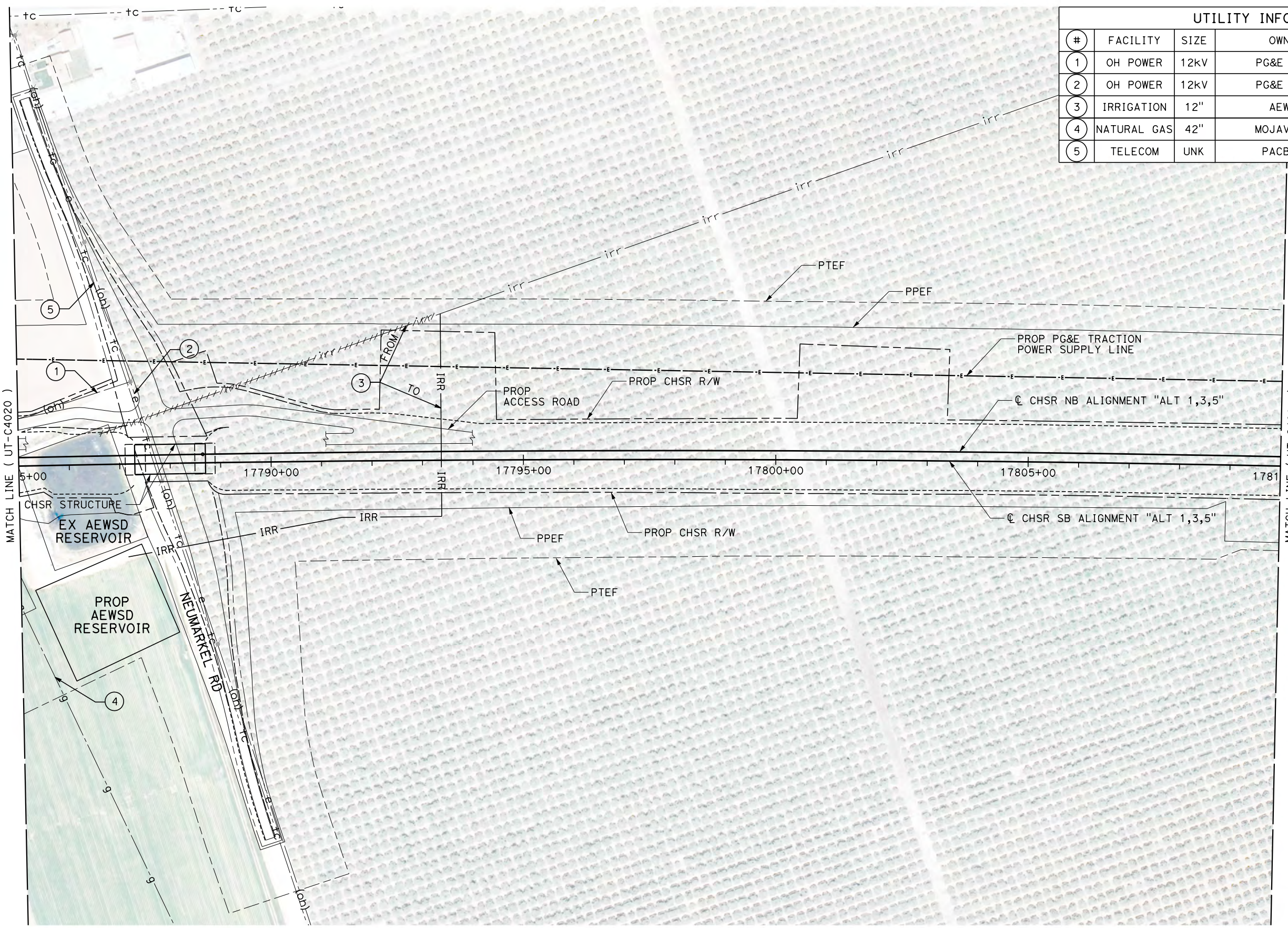
**CALIFORNIA HIGH-SPEED RAIL PROJECT**  
**BAKERSFIELD TO PALMDALE**  
  
 ALTERNATIVE 1,3,5  
 COMPOSITE UTILITY PLAN  
 STA 17760+00 TO 17785+00

CONTRACT NO.  
**HSR13-44**  
 DRAWING NO.  
**UT-C4020**  
 SCALE  
**AS SHOWN**  
 SHEET NO.



Projects\701206.00\_CHSRBP\00\_CADD\Sheet Files\UT\1\1\BP-UT-C4021.dgn

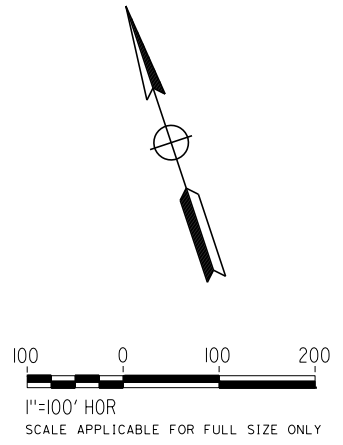
OIC:Adodge 11/7/2017 2:31:22 PM



UTILITY INFORMATION				
#	FACILITY	SIZE	OWNER	DISPOSITION
1	OH POWER	12KV	PG&E DIST	RELOCATE
2	OH POWER	12KV	PG&E DIST	RELOCATE
3	IRRIGATION	12"	AEWSD	RELOCATE
4	NATURAL GAS	42"	MOJAVE/KM	PROTECT IN PLACE
5	TELECOM	UNK	PACBELL	RELOCATE

MATCH LINE ( UT-C4020 )

MATCH LINE ( UT-C4022 )



REV	DATE	BY	CHK	APP	DESCRIPTION

DESIGNED BY  
**D. CONYERS**  
DRAWN BY  
**H. TU**  
CHECKED BY  
**D. ARUTA**  
IN CHARGE  
**S. SMITH**  
DATE  
**10/31/2017**

**RECORD  
PEPD  
SUBMITTAL**

**NOT FOR  
CONSTRUCTION**



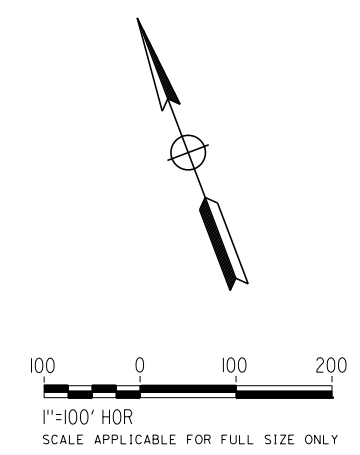
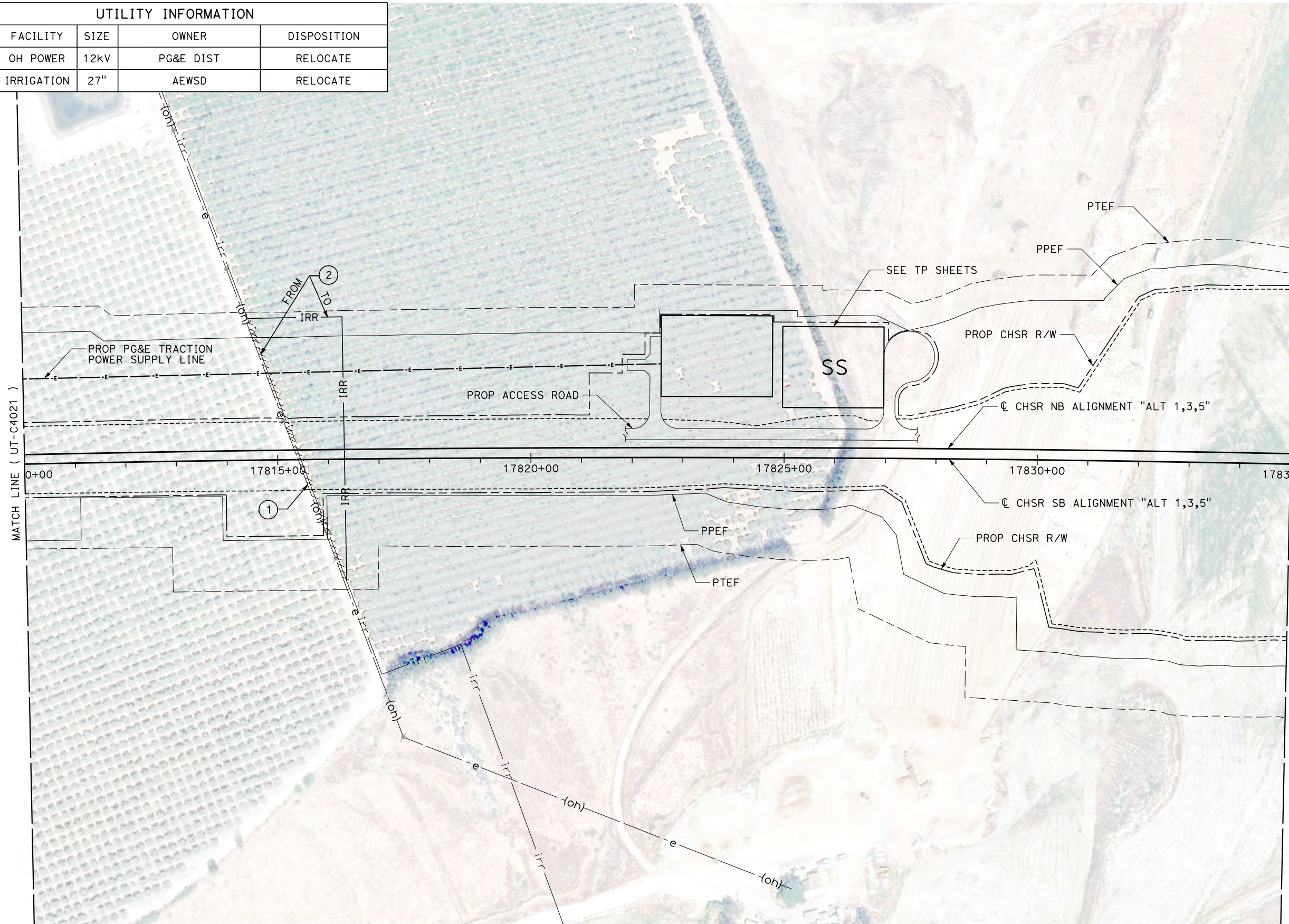
**CALIFORNIA HIGH-SPEED RAIL PROJECT  
BAKERSFIELD TO PALMDALE**

ALTERNATIVE 1,3,5  
COMPOSITE UTILITY PLAN  
STA 17785+00 TO 17810+00

CONTRACT NO.  
**HSR13-44**  
DRAWING NO.  
**UT-C4021**  
SCALE  
**AS SHOWN**  
SHEET NO.



UTILITY INFORMATION				
#	FACILITY	SIZE	OWNER	DISPOSITION
1	OH POWER	12KV	PG&E DIST	RELOCATE
2	IRRIGATION	27"	AEWSD	RELOCATE



Projects\701206.00\_CHSRBP\00\_CADD\Sheet Files\UT\AI\1\_NBP\_UT-C4022.dgn  
11/7/2017 2:32:07 PM  
OIC:Adodge

REV	DATE	BY	CHK	APP	DESCRIPTION

DESIGNED BY  
**D. CONYERS**  
DRAWN BY  
**H. TU**  
CHECKED BY  
**D. ARUTA**  
IN CHARGE  
**S. SMITH**  
DATE  
**10/31/2017**

**RECORD  
PEPD  
SUBMITTAL**

**NOT FOR  
CONSTRUCTION**



**CALIFORNIA HIGH-SPEED RAIL PROJECT  
BAKERSFIELD TO PALMDALE**

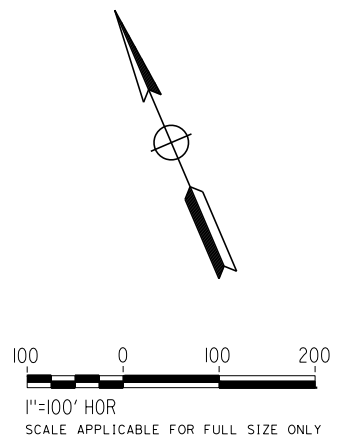
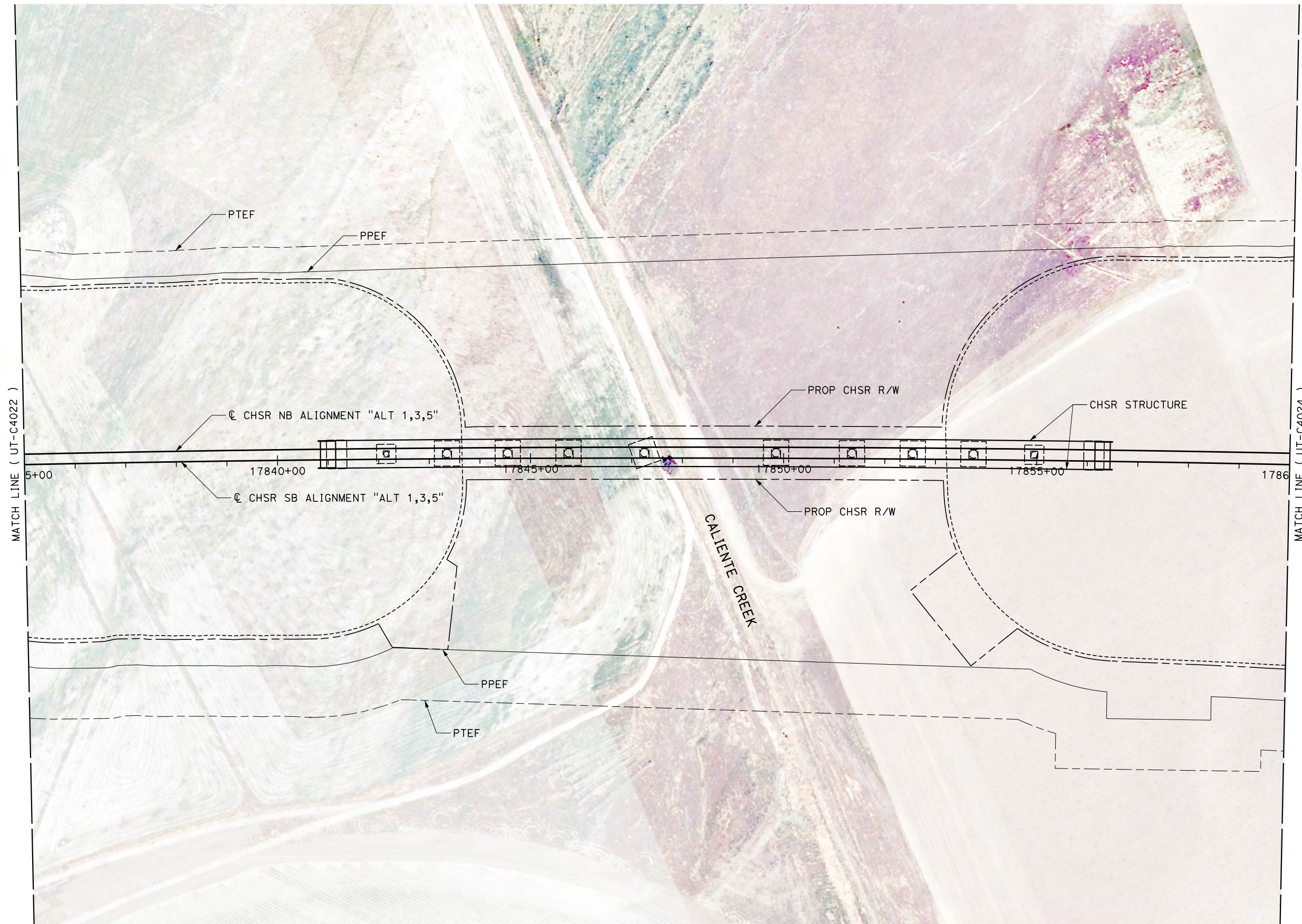
ALTERNATIVE 1,3,5  
COMPOSITE UTILITY PLAN  
STA 17810+00 TO 17835+00

CONTRACT NO.  
**HSR13-44**  
DRAWING NO.  
**UT-C4022**  
SCALE  
**AS SHOWN**  
SHEET NO.



Projects\701206.00\_CHSRBP\00\_CADD\Sheet Files\UT\A\1\BP-UT-C4023.dgn

OIC:ADodge 11/7/2017 2:31:42 PM



REV	DATE	BY	CHK	APP	DESCRIPTION

DESIGNED BY  
**D. CONYERS**  
DRAWN BY  
**H. TU**  
CHECKED BY  
**D. ARUTA**  
IN CHARGE  
**S. SMITH**  
DATE  
**10/31/2017**

**RECORD  
PEPD  
SUBMITTAL**

**NOT FOR  
CONSTRUCTION**



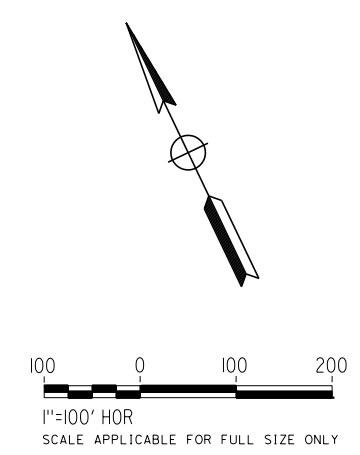
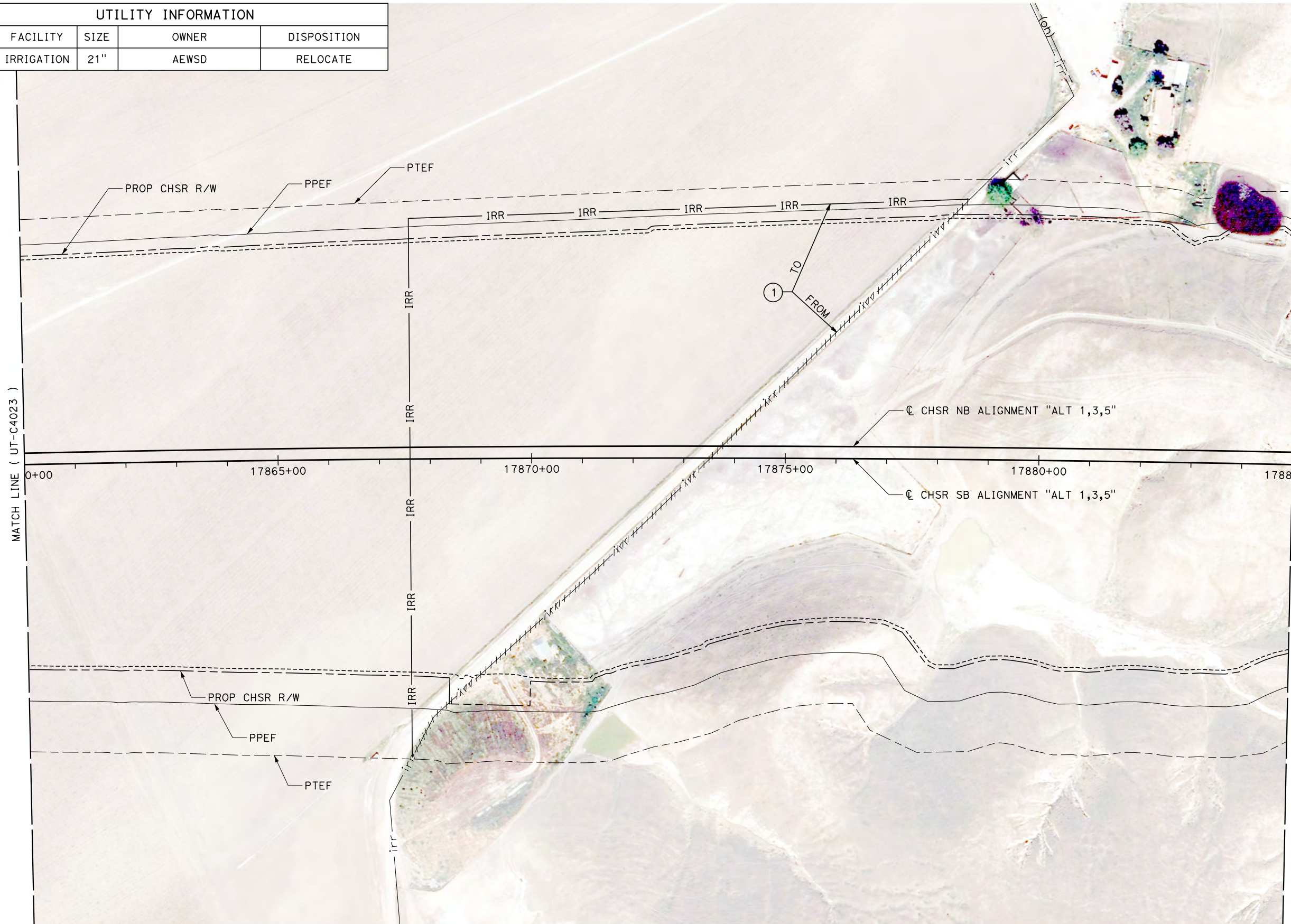
**CALIFORNIA HIGH-SPEED RAIL PROJECT  
BAKERSFIELD TO PALMDALE**

ALTERNATIVE 1,3,5  
COMPOSITE UTILITY PLAN  
STA 17835+00 TO 17860+00

CONTRACT NO.  
**HSR13-44**  
DRAWING NO.  
**UT-C4023**  
SCALE  
**AS SHOWN**  
SHEET NO.



UTILITY INFORMATION				
#	FACILITY	SIZE	OWNER	DISPOSITION
1	IRRIGATION	21"	AEWSD	RELOCATE



11/7/2017 2:31:28 PM  
 Projects\701206.00\_CHSRBP\00\_CADD\Sheet Files\UT\AI\1\BP-UT-C4024.dgn  
 OIC:Adodge

REV	DATE	BY	CHK	APP	DESCRIPTION

DESIGNED BY  
**D. CONYERS**  
 DRAWN BY  
**H. TU**  
 CHECKED BY  
**D. ARUTA**  
 IN CHARGE  
**S. SMITH**  
 DATE  
**10/31/2017**

**RECORD  
 PEPD  
 SUBMITTAL**  
  
**NOT FOR  
 CONSTRUCTION**



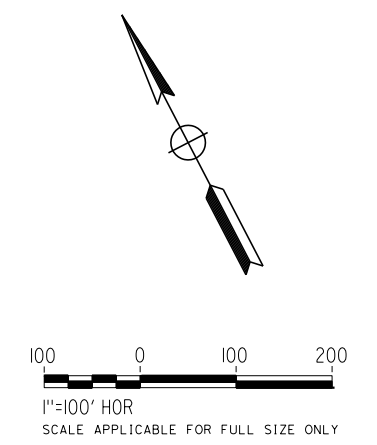
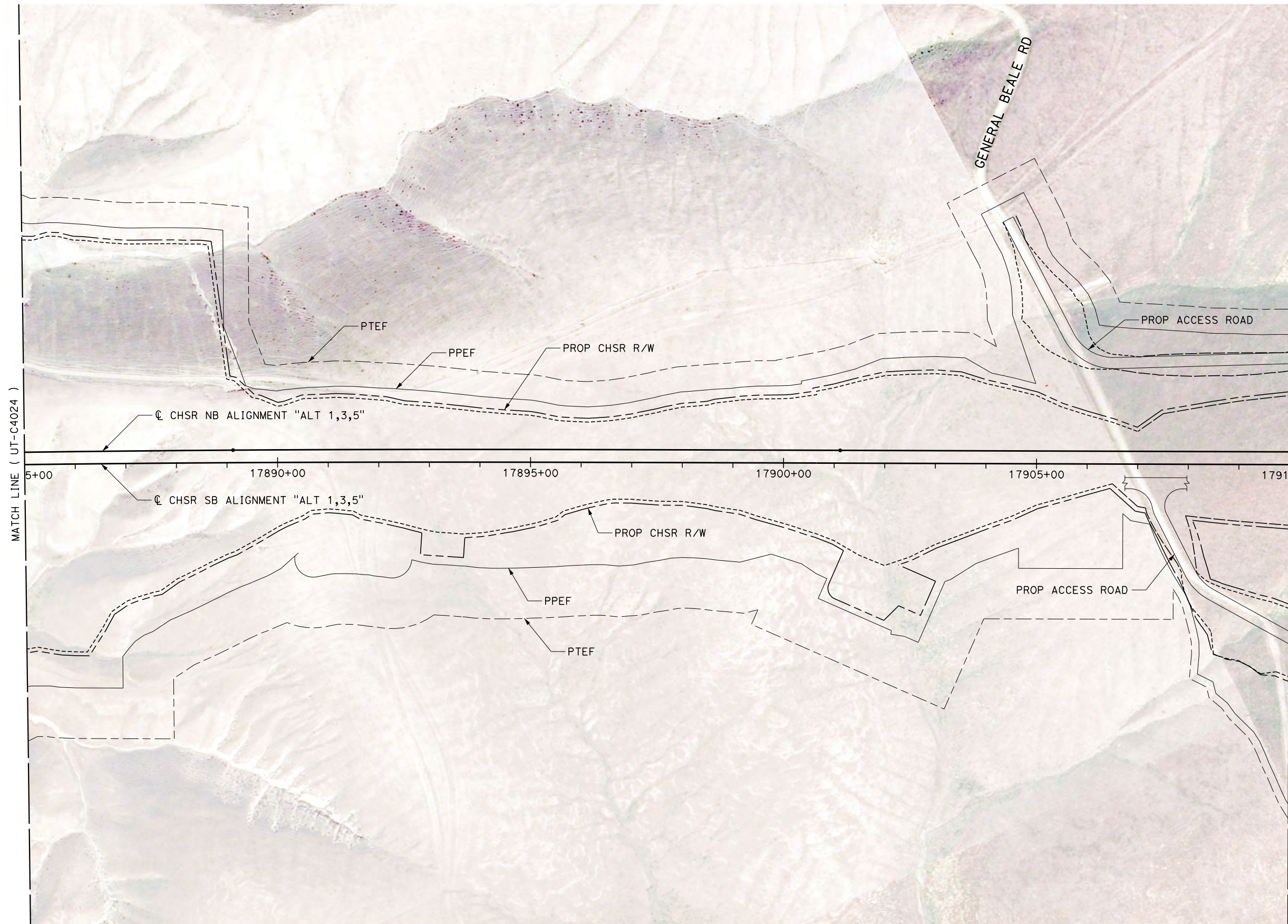
**CALIFORNIA HIGH-SPEED RAIL PROJECT  
 BAKERSFIELD TO PALMDALE**  
  
 ALTERNATIVE 1,3,5  
 COMPOSITE UTILITY PLAN  
 STA 17860+00 TO 17885+00

CONTRACT NO.  
**HSR13-44**  
 DRAWING NO.  
**UT-C4024**  
 SCALE  
**AS SHOWN**  
 SHEET NO.



Projects\701206.00\_CHSRBP\00\_CADD\Sheet\_Files\UT\AI\1\BP-UT-C4025.dgn

OIC: Adodge 11/7/2017 2:32:53 PM



REV	DATE	BY	CHK	APP	DESCRIPTION

DESIGNED BY  
**D. CONYERS**  
DRAWN BY  
**H. TU**  
CHECKED BY  
**D. ARUTA**  
IN CHARGE  
**S. SMITH**  
DATE  
**10/31/2017**

**RECORD  
PEPD  
SUBMITTAL**

**NOT FOR  
CONSTRUCTION**



**CALIFORNIA HIGH-SPEED RAIL PROJECT  
BAKERSFIELD TO PALMDALE**

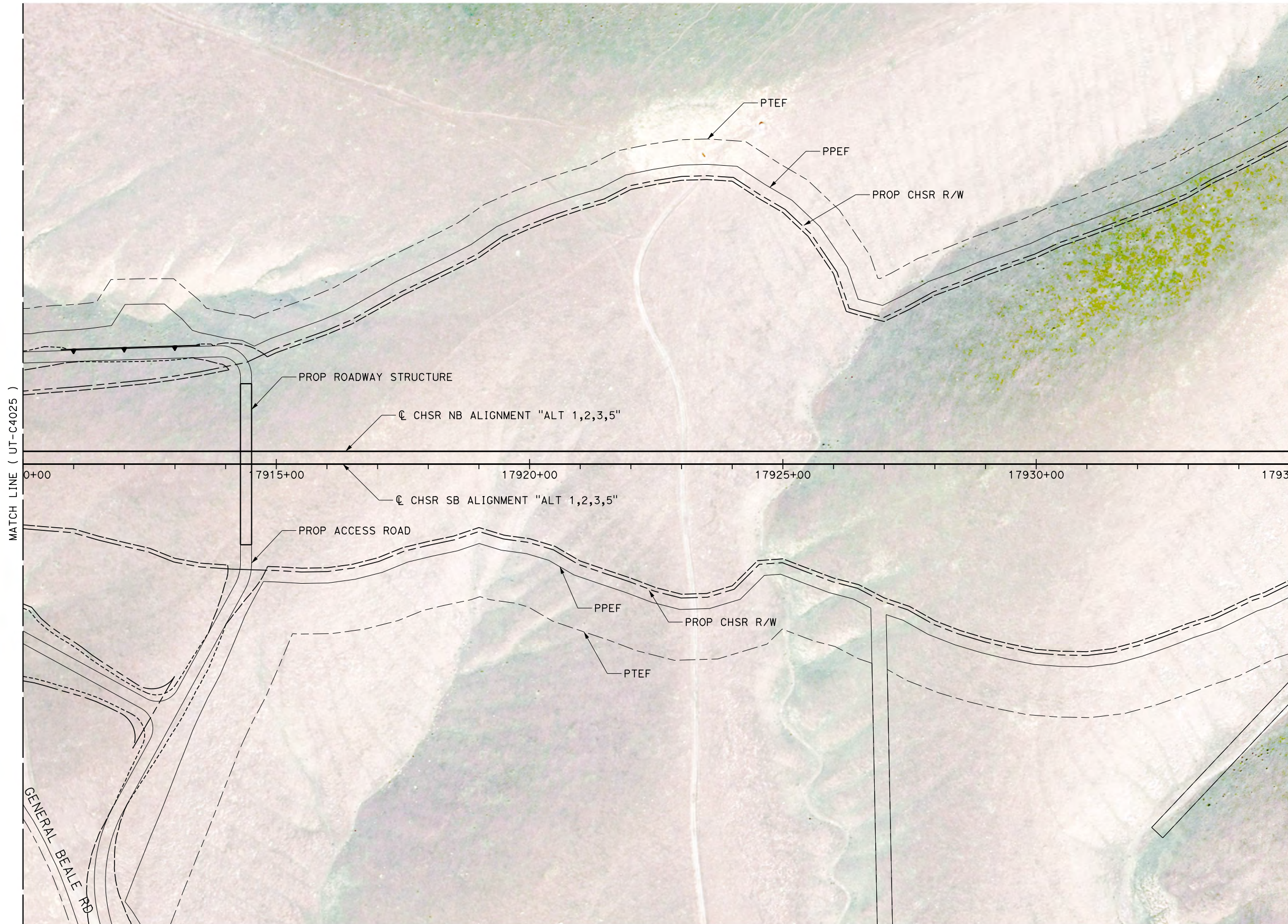
ALTERNATIVE 1,3,5  
COMPOSITE UTILITY PLAN  
STA 17885+00 TO 17910+00

CONTRACT NO.  
**HSR13-44**  
DRAWING NO.  
**UT-C4025**  
SCALE  
**AS SHOWN**  
SHEET NO.



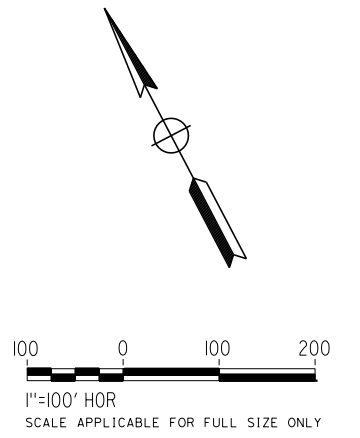
Projects\701206.00\_CHSRBP\00\_CADD\Sheet Files\UT\AI\1\BP-UT-C4026.dgn

OIC:Adodge 11/7/2017 2:35:04 PM



MATCH LINE ( UT-C4025 )

MATCH LINE ( UT-C4027 )



REV	DATE	BY	CHK	APP	DESCRIPTION

DESIGNED BY  
**D. CONYERS**  
DRAWN BY  
**H. TU**  
CHECKED BY  
**D. ARUTA**  
IN CHARGE  
**S. SMITH**  
DATE  
**10/31/2017**

**RECORD  
PEPD  
SUBMITTAL**

**NOT FOR  
CONSTRUCTION**



**CALIFORNIA HIGH-SPEED RAIL PROJECT  
BAKERSFIELD TO PALMDALE**

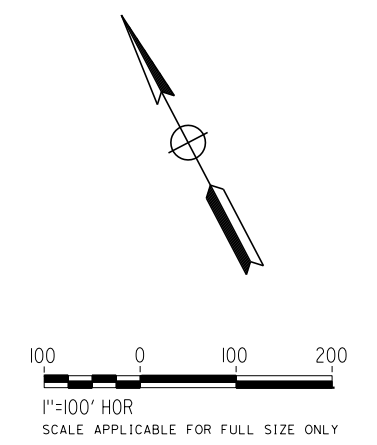
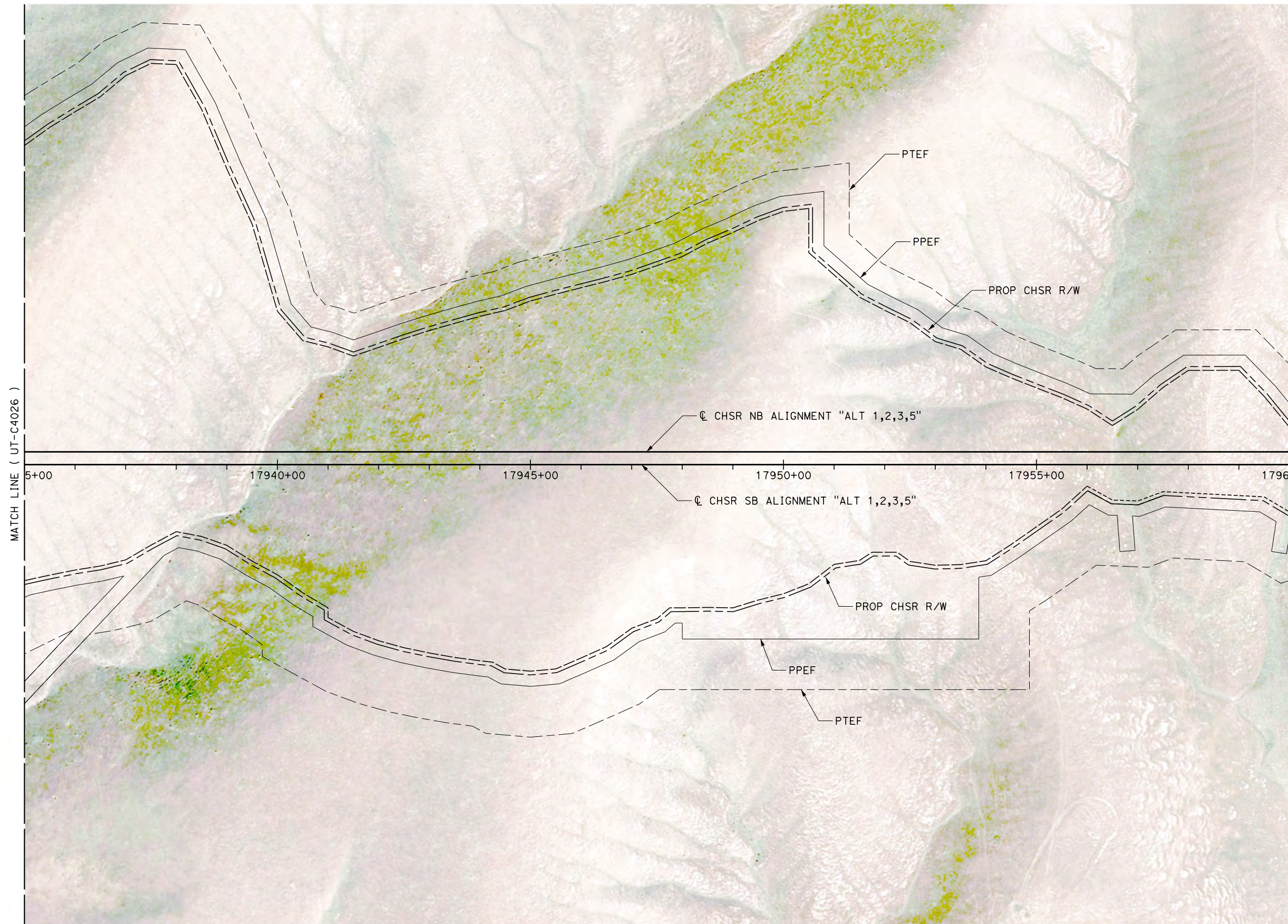
ALTERNATIVE 1,2,3,5  
COMPOSITE UTILITY PLAN  
STA 17910+00 TO 17935+00

CONTRACT NO.  
**HSR13-44**  
DRAWING NO.  
**UT-C4026**  
SCALE  
**AS SHOWN**  
SHEET NO.



Projects\701206.00\_CHSRBP\00\_CADD\Sheet Files\UT\A1\1\BP-UT-C4027.dgn

OIC:ADodge 11/7/2017 2:35:09 PM



REV	DATE	BY	CHK	APP	DESCRIPTION

DESIGNED BY  
**D. CONYERS**  
DRAWN BY  
**H. TU**  
CHECKED BY  
**D. ARUTA**  
IN CHARGE  
**S. SMITH**  
DATE  
**10/31/2017**

**RECORD  
PEPD  
SUBMITTAL**

**NOT FOR  
CONSTRUCTION**



**CALIFORNIA HIGH-SPEED RAIL PROJECT  
BAKERSFIELD TO PALMDALE**

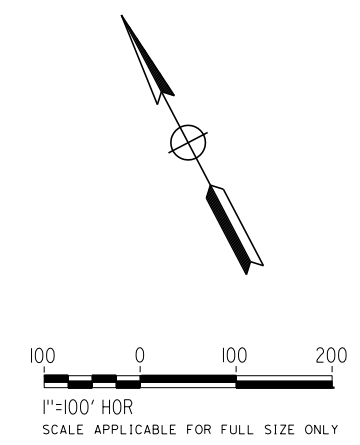
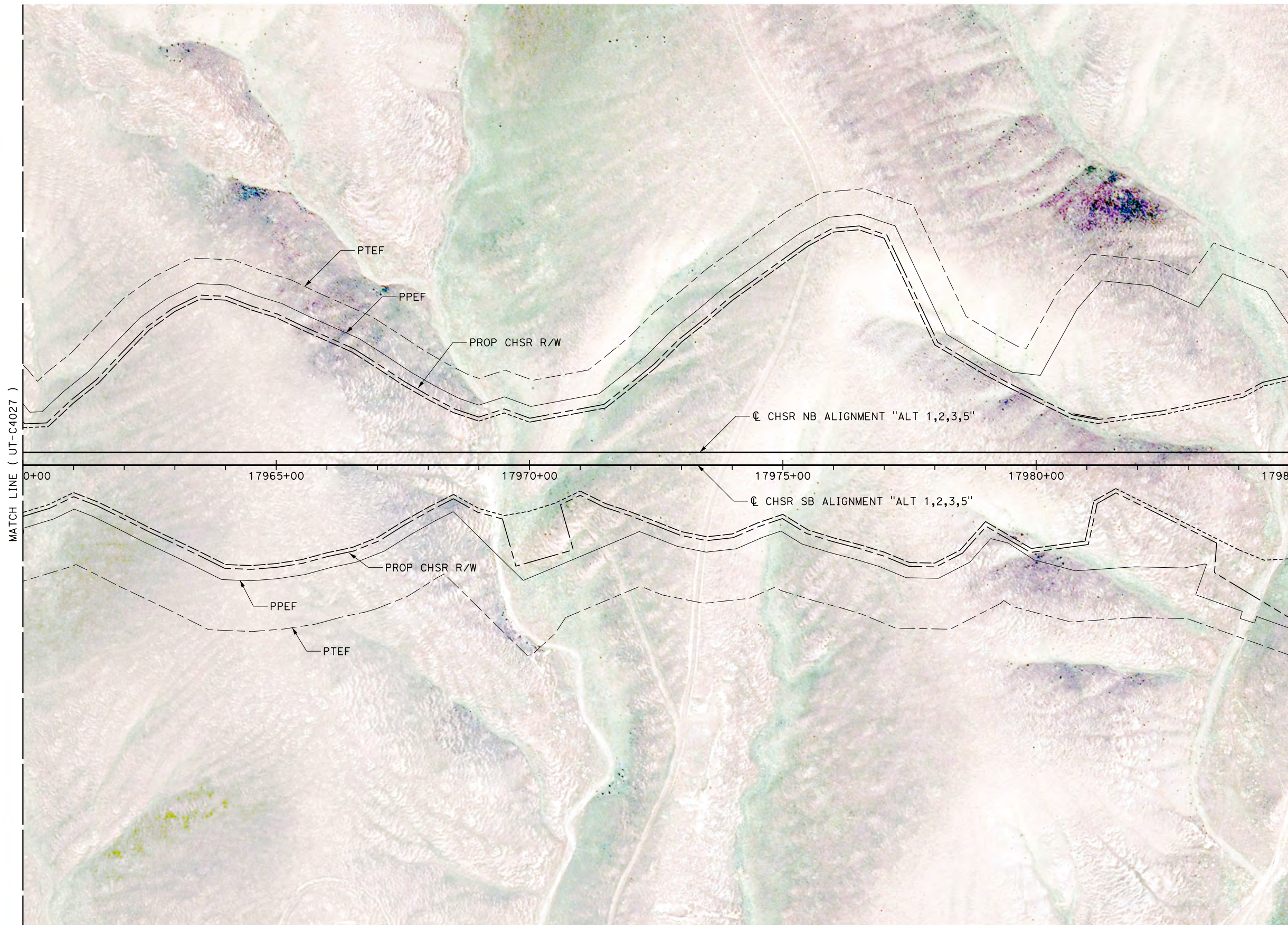
ALTERNATIVE 1,2,3,5  
COMPOSITE UTILITY PLAN  
STA 17935+00 TO 17960+00

CONTRACT NO.  
**HSR13-44**  
DRAWING NO.  
**UT-C4027**  
SCALE  
**AS SHOWN**  
SHEET NO.



Projects\701206.00\_CHSRBP\00\_CADD\Sheet Files\UT\AI\1\BP-UT-C4028.dgn

OIC:ADodge 11/7/2017 2:34:04 PM



REV	DATE	BY	CHK	APP	DESCRIPTION

DESIGNED BY  
**D. CONYERS**  
DRAWN BY  
**H. TU**  
CHECKED BY  
**D. ARUTA**  
IN CHARGE  
**S. SMITH**  
DATE  
**10/31/2017**

**RECORD  
PEPD  
SUBMITTAL**

**NOT FOR  
CONSTRUCTION**



**CALIFORNIA HIGH-SPEED RAIL PROJECT  
BAKERSFIELD TO PALMDALE**

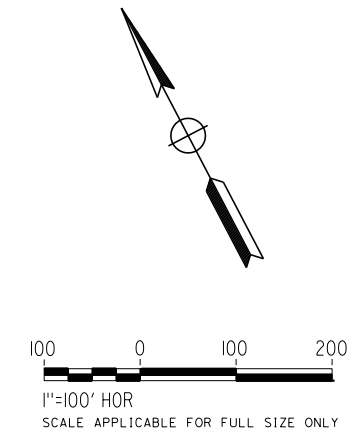
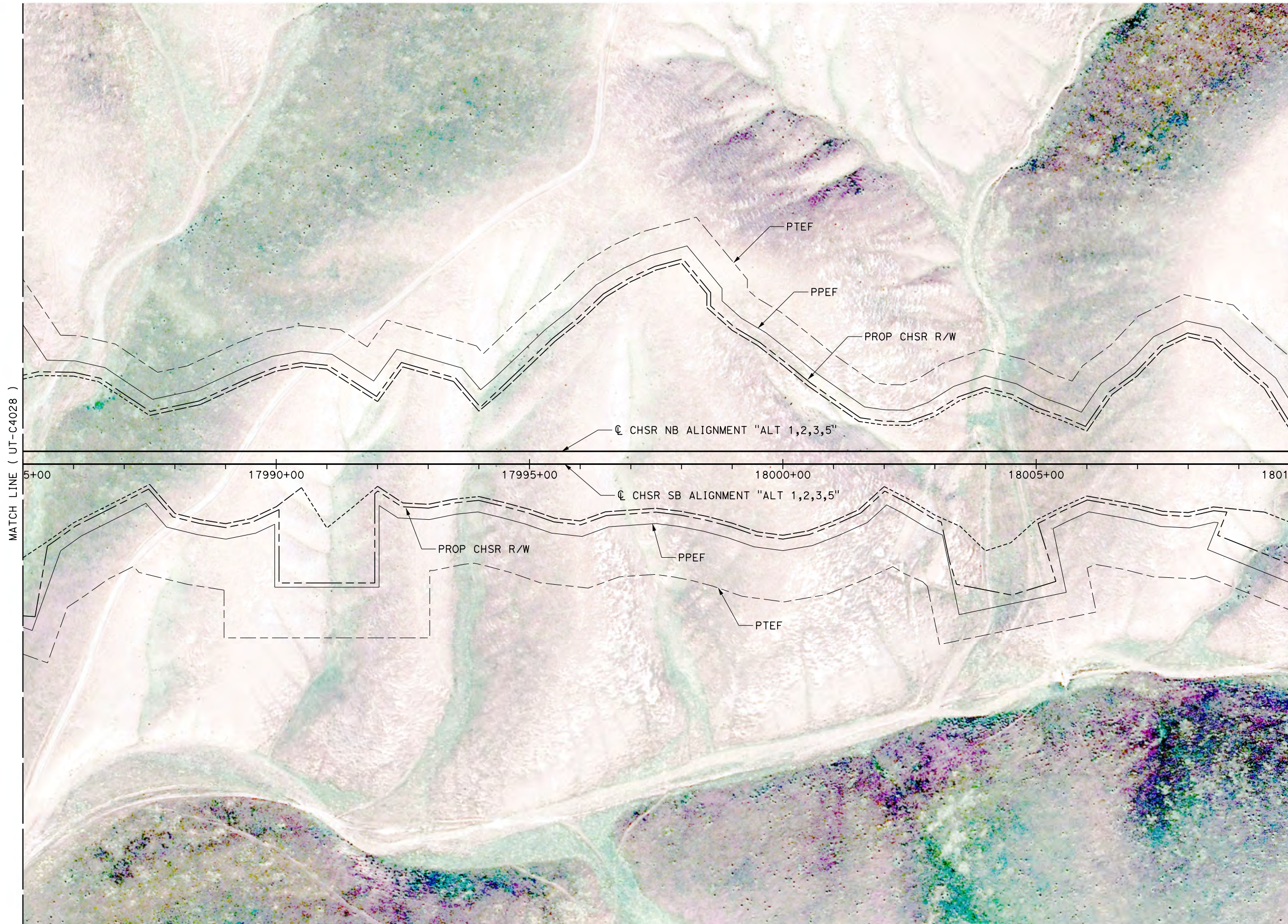
ALTERNATIVE 1,2,3,5  
COMPOSITE UTILITY PLAN  
STA 17960+00 TO 17985+00

CONTRACT NO.  
**HSR13-44**  
DRAWING NO.  
**UT-C4028**  
SCALE  
**AS SHOWN**  
SHEET NO.



Projects\701206.00\_CHSRBP\00\_CADD\Sheet Files\UT\A1\1\BP-UT-C4029.dgn

OIC:ADodge 11/7/2017 2:35:01 PM



REV	DATE	BY	CHK	APP	DESCRIPTION

DESIGNED BY  
**D. CONYERS**  
DRAWN BY  
**H. TU**  
CHECKED BY  
**D. ARUTA**  
IN CHARGE  
**S. SMITH**  
DATE  
**10/31/2017**

**RECORD  
PEPD  
SUBMITTAL**

**NOT FOR  
CONSTRUCTION**



**CALIFORNIA HIGH-SPEED RAIL PROJECT  
BAKERSFIELD TO PALMDALE**

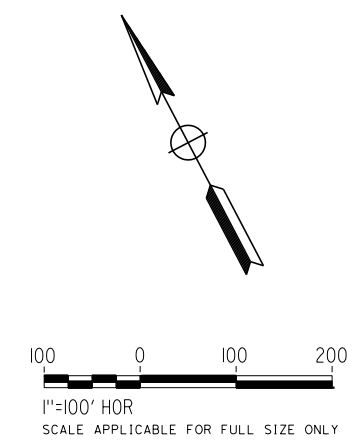
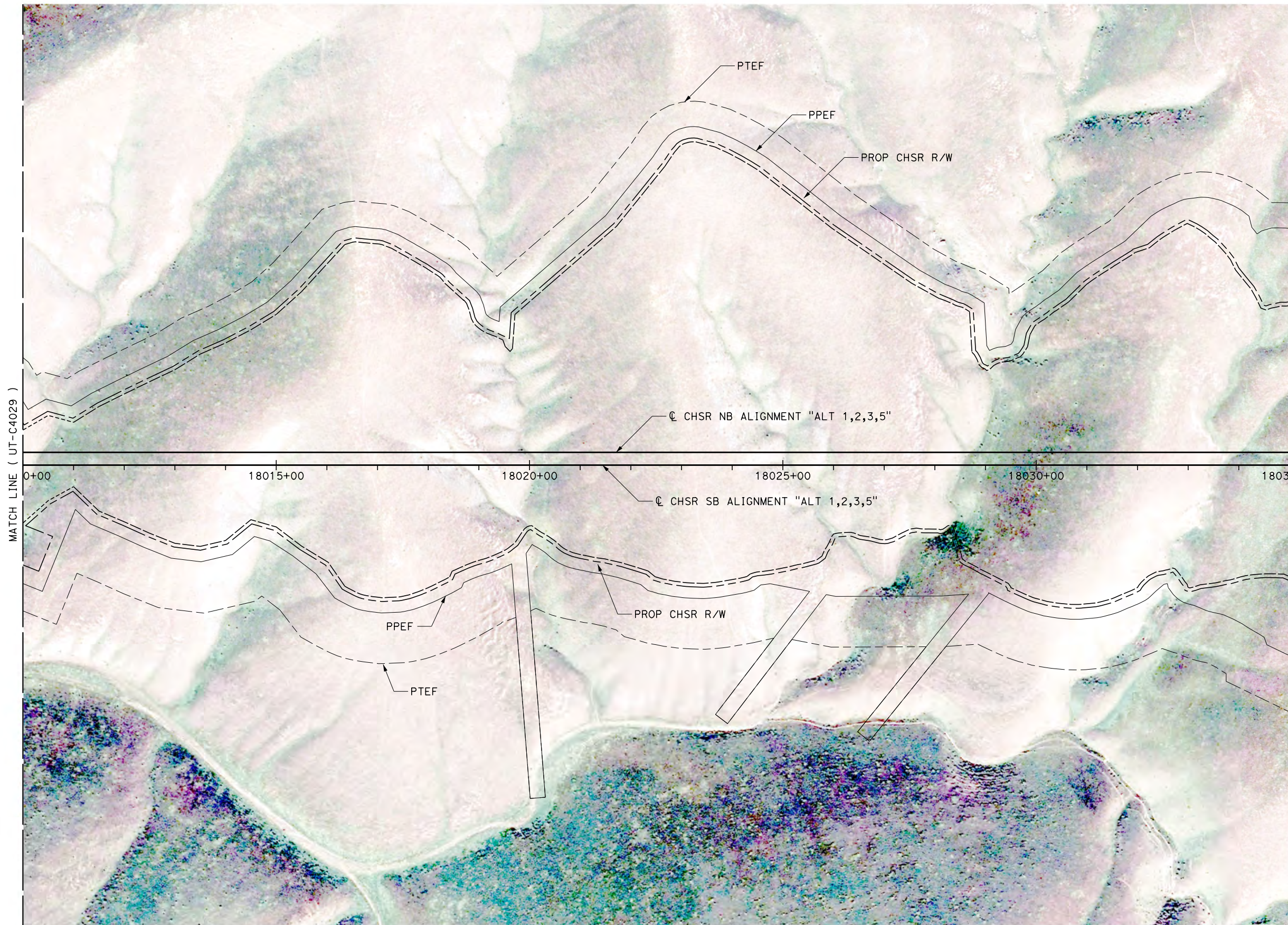
ALTERNATIVE 1,2,3,5  
COMPOSITE UTILITY PLAN  
STA 17985+00 TO 18010+00

CONTRACT NO.  
**HSR13-44**  
DRAWING NO.  
**UT-C4029**  
SCALE  
**AS SHOWN**  
SHEET NO.



Projects\701206.00\_CHSRBP\00\_CADD\Sheet Files\UT\AI\1\BP-UT-C4030.dgn

OIC:Adodge 11/7/2017 2:35:05 PM



REV	DATE	BY	CHK	APP	DESCRIPTION

DESIGNED BY  
**D. CONYERS**  
DRAWN BY  
**H. TU**  
CHECKED BY  
**D. ARUTA**  
IN CHARGE  
**S. SMITH**  
DATE  
**10/31/2017**

**RECORD  
PEPD  
SUBMITTAL**

**NOT FOR  
CONSTRUCTION**



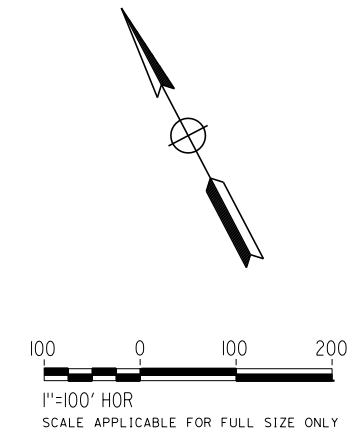
**CALIFORNIA HIGH-SPEED RAIL PROJECT  
BAKERSFIELD TO PALMDALE**

ALTERNATIVE 1,2,3,5  
COMPOSITE UTILITY PLAN  
STA 18010+00 TO 18035+00

CONTRACT NO.  
**HSR13-44**  
DRAWING NO.  
**UT-C4030**  
SCALE  
**AS SHOWN**  
SHEET NO.



UTILITY INFORMATION				
#	FACILITY	SIZE	OWNER	DISPOSITION
1	FIRE WATER	4"	CHSR	NEW



Projects\701206.00\_CHSRBP\00\_CADD\Sheet\_Files\UT\AI\1\BP-UT-C4031.dgn

OIC:Adodge 11/7/2017 2:35:16 PM

REV	DATE	BY	CHK	APP	DESCRIPTION

DESIGNED BY <b>D. CONYERS</b>
DRAWN BY <b>H. TU</b>
CHECKED BY <b>D. ARUTA</b>
IN CHARGE <b>S. SMITH</b>
DATE <b>10/31/2017</b>

**RECORD  
PEPD  
SUBMITTAL**

**NOT FOR  
CONSTRUCTION**



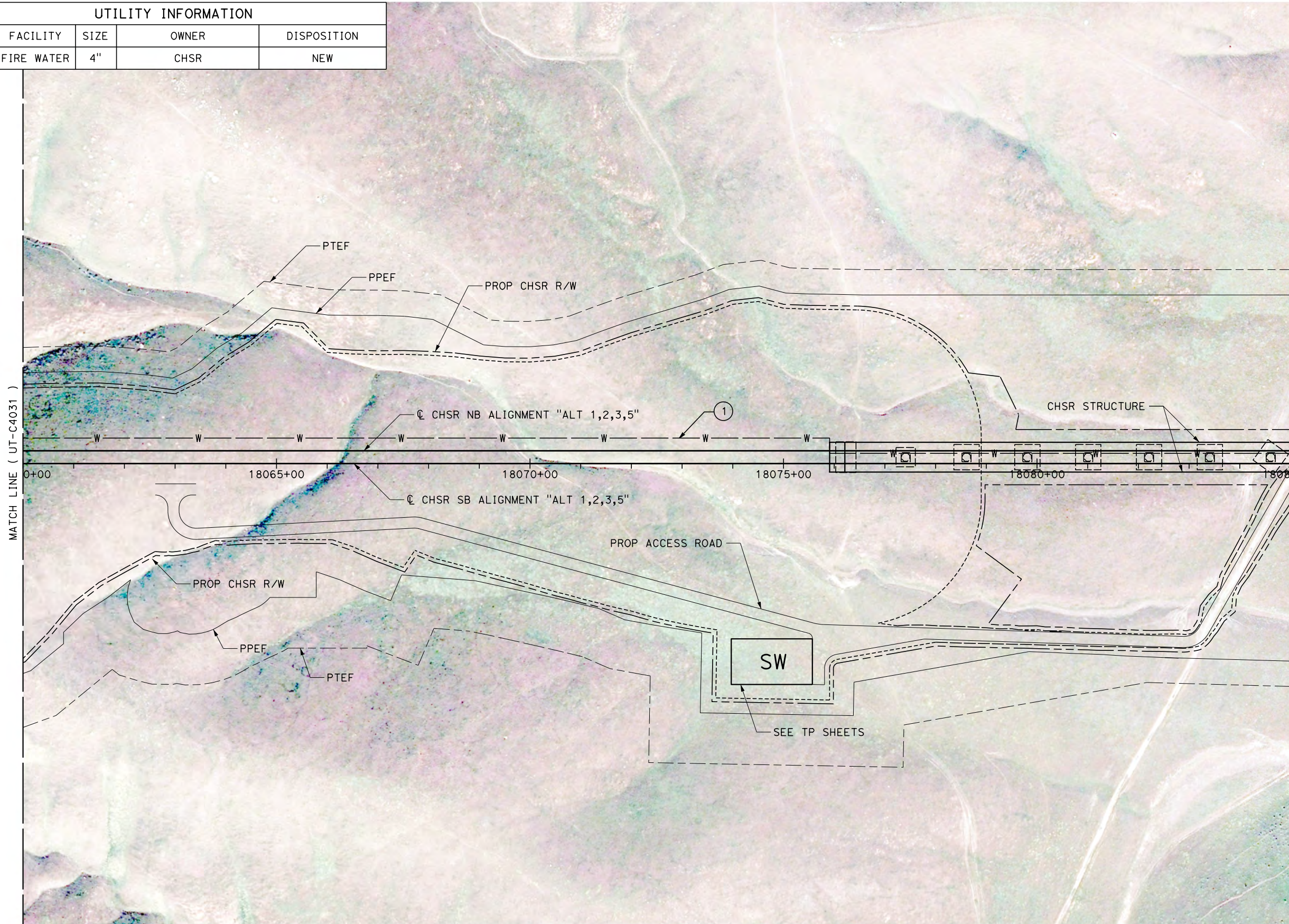
**CALIFORNIA HIGH-SPEED RAIL PROJECT  
BAKERSFIELD TO PALMDALE**

ALTERNATIVE 1,2,3,5  
COMPOSITE UTILITY PLAN  
STA 18035+00 TO 18060+00

CONTRACT NO. <b>HSR13-44</b>
DRAWING NO. <b>UT-C4031</b>
SCALE <b>AS SHOWN</b>
SHEET NO.



UTILITY INFORMATION				
#	FACILITY	SIZE	OWNER	DISPOSITION
1	FIRE WATER	4"	CHSR	NEW



Projects\701206.00\_CHSRBP\00\_CADD\Sheet\_Files\UT\AI\1\BP-UT-C4032.dgn  
 11/7/2017 2:37:30 PM  
 OIC:Adodge

REV	DATE	BY	CHK	APP	DESCRIPTION

DESIGNED BY  
**D. CONYERS**  
 DRAWN BY  
**H. TU**  
 CHECKED BY  
**D. ARUTA**  
 IN CHARGE  
**S. SMITH**  
 DATE  
**10/31/2017**

**RECORD  
PEPD  
SUBMITTAL**  
  
**NOT FOR  
CONSTRUCTION**

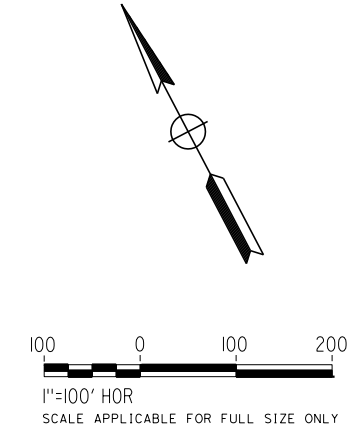
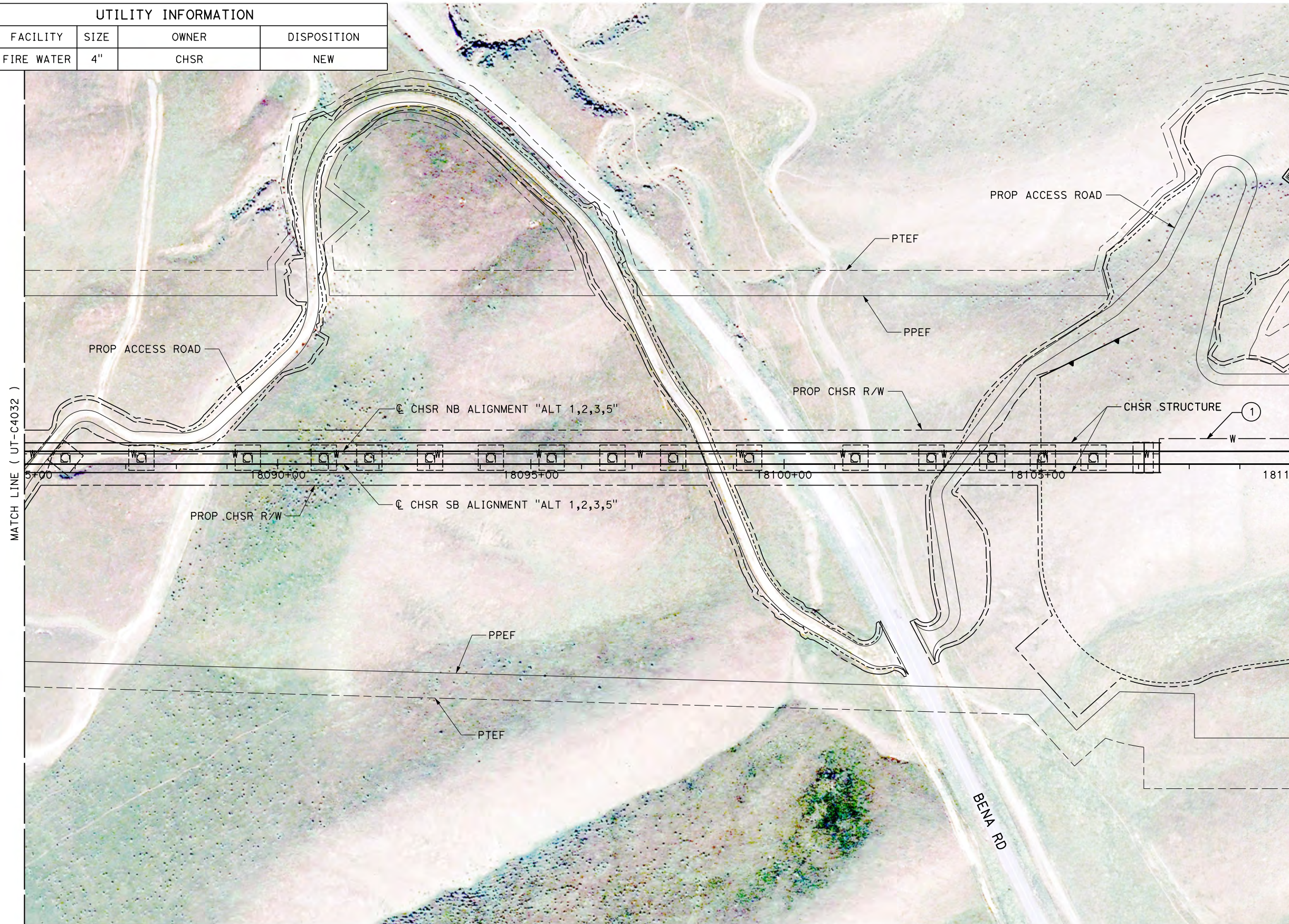


**CALIFORNIA HIGH-SPEED RAIL PROJECT  
BAKERSFIELD TO PALMDALE**  
  
 ALTERNATIVE 1,2,3,5  
 COMPOSITE UTILITY PLAN  
 STA 18060+00 TO 18085+00

CONTRACT NO.  
**HSR13-44**  
 DRAWING NO.  
**UT-C4032**  
 SCALE  
**AS SHOWN**  
 SHEET NO.



UTILITY INFORMATION				
#	FACILITY	SIZE	OWNER	DISPOSITION
1	FIRE WATER	4"	CHSR	NEW



Projects\701206.00\_CHSRBP\00\_CADD\Sheet Files\UT\AI\1\BP-UT-C4033.dgn  
 11/7/2017 2:35:14 PM  
 OIC:Adodge

REV	DATE	BY	CHK	APP	DESCRIPTION

DESIGNED BY  
**D. CONYERS**  
 DRAWN BY  
**H. TU**  
 CHECKED BY  
**D. ARUTA**  
 IN CHARGE  
**S. SMITH**  
 DATE  
**10/31/2017**

**RECORD  
 PECD  
 SUBMITTAL**  
  
**NOT FOR  
 CONSTRUCTION**

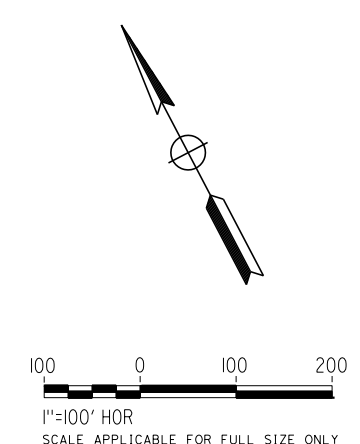


**CALIFORNIA HIGH-SPEED RAIL PROJECT  
 BAKERSFIELD TO PALMDALE**  
  
 ALTERNATIVE 1,2,3,5  
 COMPOSITE UTILITY PLAN  
 STA 18085+00 TO 18110+00

CONTRACT NO.  
**HSR13-44**  
 DRAWING NO.  
**UT-C4033**  
 SCALE  
**AS SHOWN**  
 SHEET NO.



UTILITY INFORMATION				
#	FACILITY	SIZE	OWNER	DISPOSITION
1	FIRE WATER	4"	CHSR	NEW



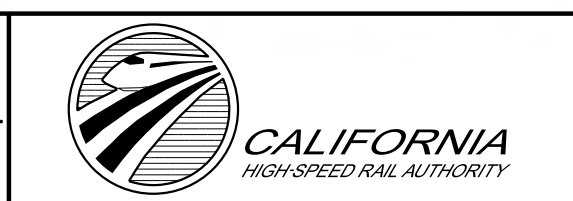
Projects\701206.00\_CHSRBP\00\_CADD\Sheet\_Files\UT\A1\1\_NBP-UT-C4034.dgn  
11/7/2017 3:02:26 PM  
OIC:Adodge

REV	DATE	BY	CHK	APP	DESCRIPTION

DESIGNED BY  
**D. CONYERS**  
DRAWN BY  
**H. TU**  
CHECKED BY  
**D. ARUTA**  
IN CHARGE  
**S. SMITH**  
DATE  
**10/31/2017**

**RECORD  
PEPD  
SUBMITTAL**

**NOT FOR  
CONSTRUCTION**



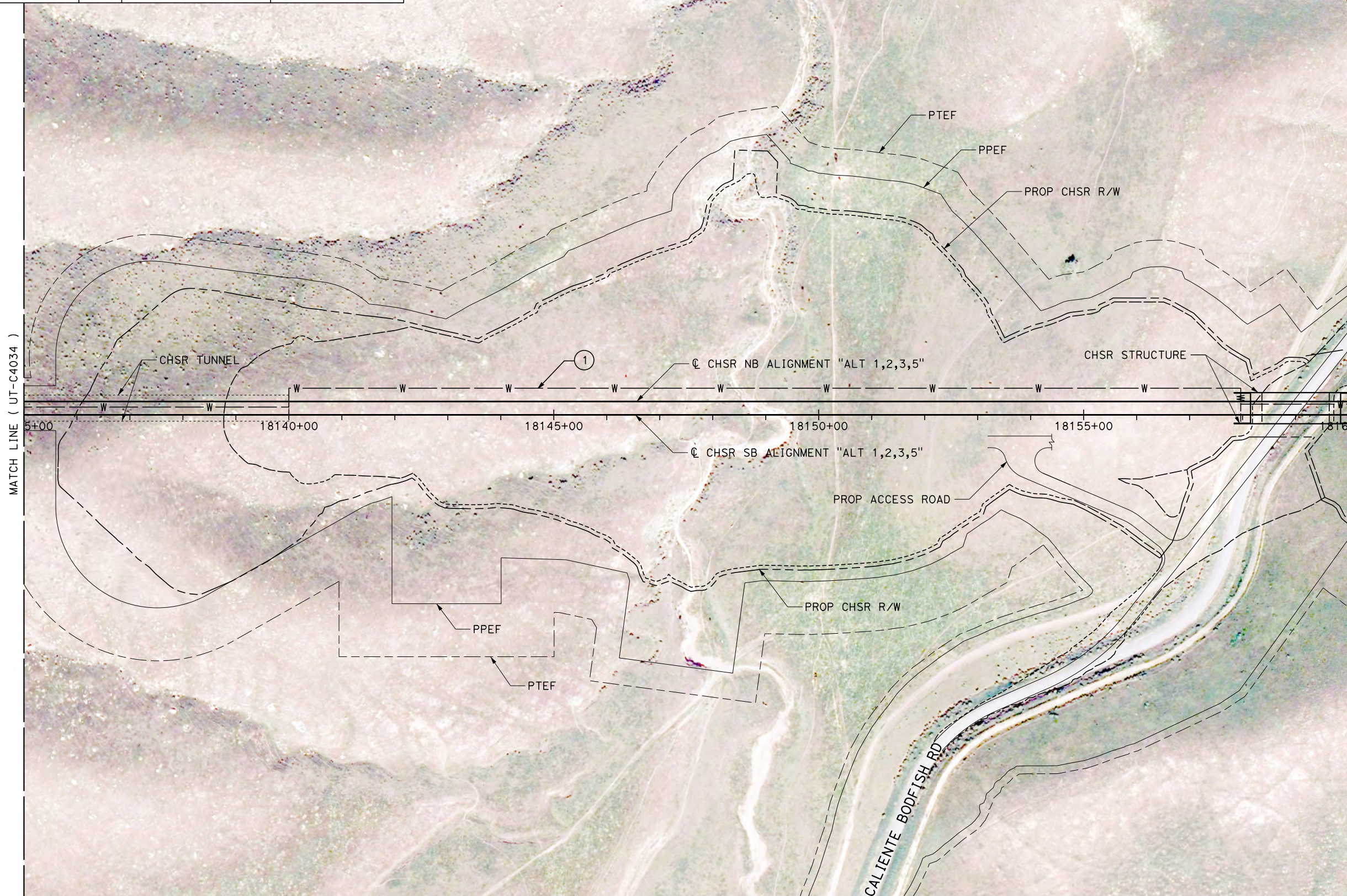
**CALIFORNIA HIGH-SPEED RAIL PROJECT  
BAKERSFIELD TO PALMDALE**

ALTERNATIVE 1,2,3,5  
COMPOSITE UTILITY PLAN  
STA 18110+00 TO 18135+00

CONTRACT NO.  
**HSR13-44**  
DRAWING NO.  
**UT-C4034**  
SCALE  
**AS SHOWN**  
SHEET NO.

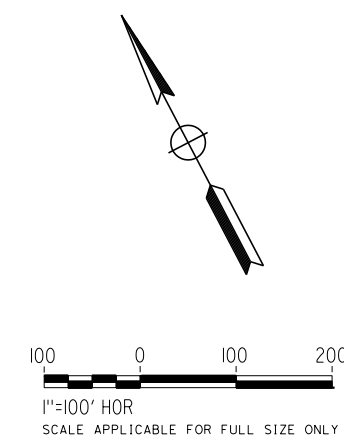


UTILITY INFORMATION				
#	FACILITY	SIZE	OWNER	DISPOSITION
1	FIRE WATER	4"	CHSR	NEW



MATCH LINE ( UT-C4034 )

MATCH LINE ( UT-C4036 )



Projects\701206.00\_CHSRBP\00\_CADD\Sheet\_Files\UT\AI\1\BP-UT-C4035.dgn 11/7/2017 2:46:40 PM OIC:ADodge

REV	DATE	BY	CHK	APP	DESCRIPTION

DESIGNED BY  
**D. CONYERS**  
DRAWN BY  
**H. TU**  
CHECKED BY  
**D. ARUTA**  
IN CHARGE  
**S. SMITH**  
DATE  
**10/31/2017**

**RECORD  
PEPD  
SUBMITTAL**

**NOT FOR  
CONSTRUCTION**



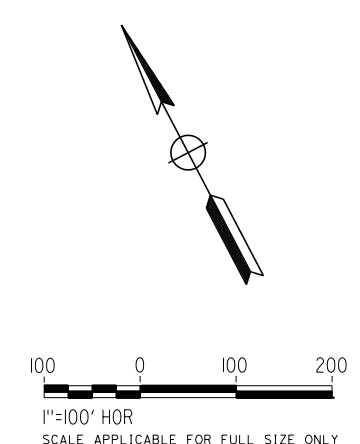
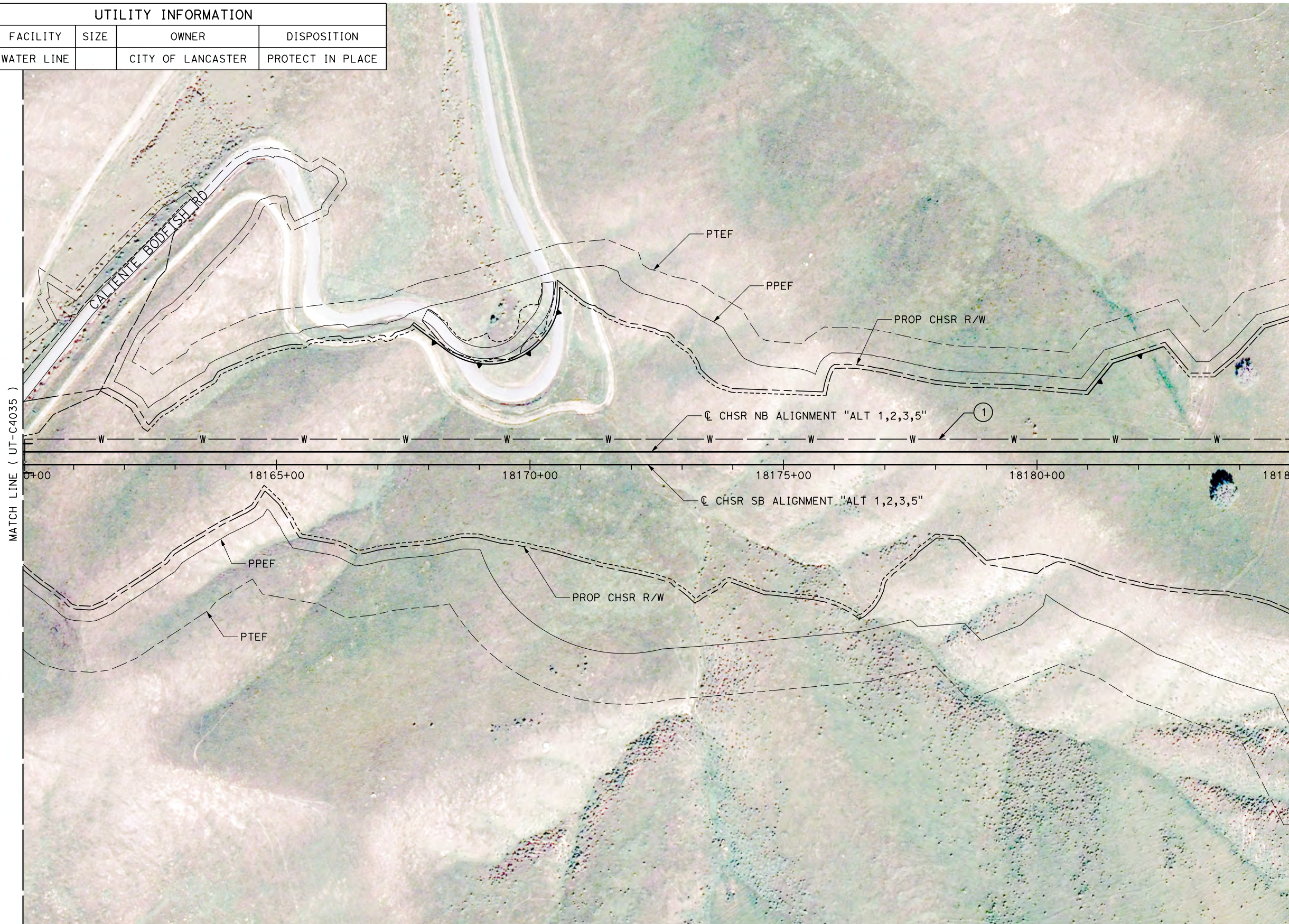
**CALIFORNIA HIGH-SPEED RAIL PROJECT  
BAKERSFIELD TO PALMDALE**

ALTERNATIVE 1,2,3,5  
COMPOSITE UTILITY PLAN  
STA 18135+00 TO 18160+00

CONTRACT NO.  
**HSR13-44**  
DRAWING NO.  
**UT-C4035**  
SCALE  
**AS SHOWN**  
SHEET NO.



UTILITY INFORMATION				
#	FACILITY	SIZE	OWNER	DISPOSITION
1	WATER LINE		CITY OF LANCASTER	PROTECT IN PLACE

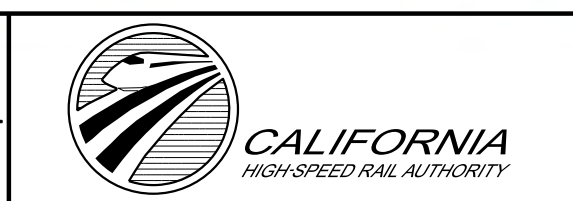


Projects\701206.00\_CHSRBP\00\_CADD\Sheet Files\UT\AI\1\BP-UT-C4036.dgn  
 11/7/2017 2:47:52 PM  
 OIC:Adodge

REV	DATE	BY	CHK	APP	DESCRIPTION

DESIGNED BY  
**D. CONYERS**  
 DRAWN BY  
**H. TU**  
 CHECKED BY  
**D. ARUTA**  
 IN CHARGE  
**S. SMITH**  
 DATE  
**10/31/2017**

**RECORD  
 PECD  
 SUBMITTAL**  
  
**NOT FOR  
 CONSTRUCTION**

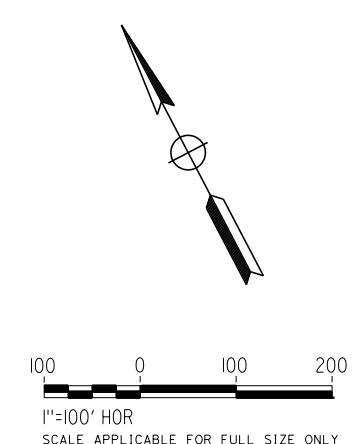
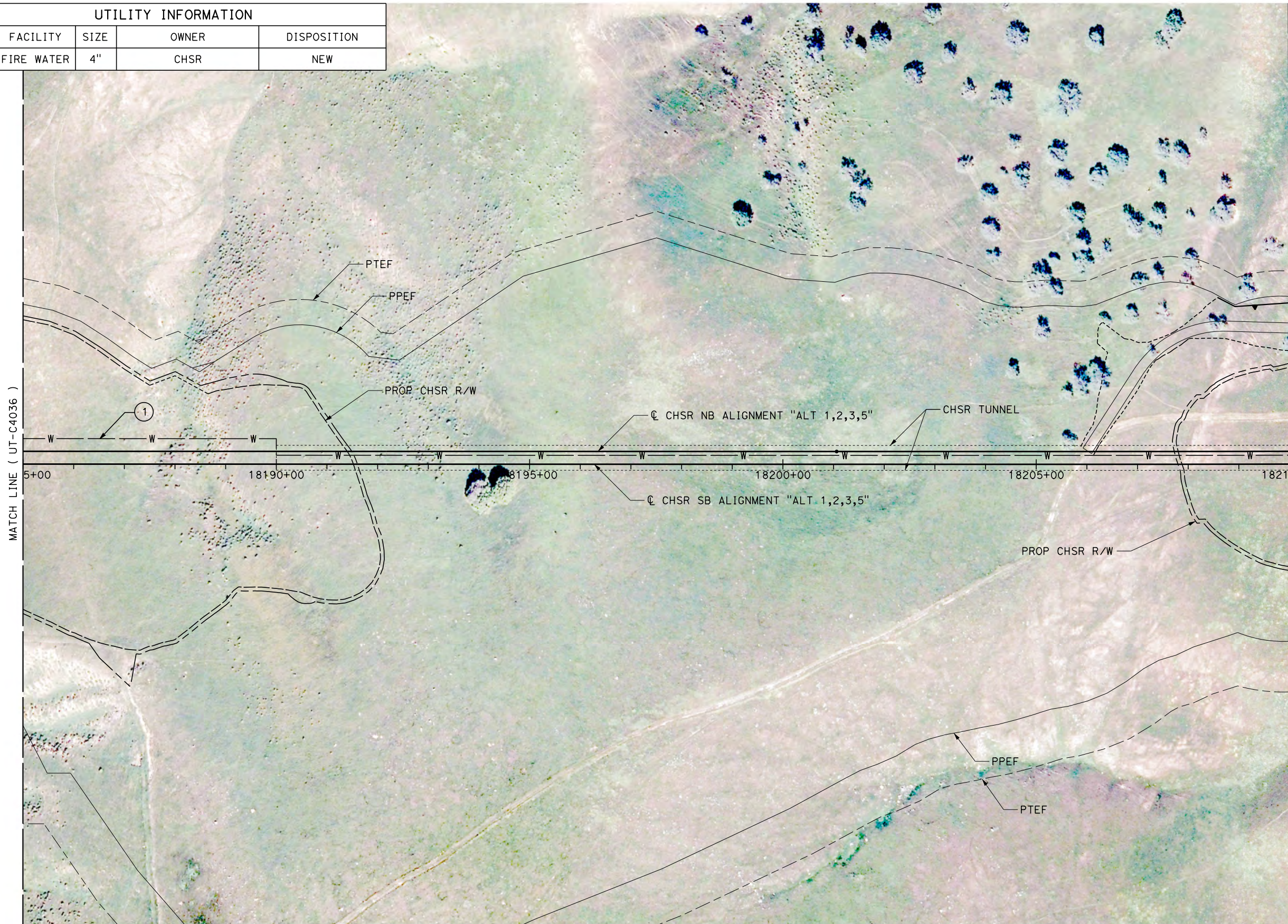


**CALIFORNIA HIGH-SPEED RAIL PROJECT**  
**BAKERSFIELD TO PALMDALE**  
  
 ALTERNATIVE 1,2,3,5  
 COMPOSITE UTILITY PLAN  
 STA 18160+00 TO 18185+00

CONTRACT NO.  
**HSR13-44**  
 DRAWING NO.  
**UT-C4036**  
 SCALE  
**AS SHOWN**  
 SHEET NO.



UTILITY INFORMATION				
#	FACILITY	SIZE	OWNER	DISPOSITION
1	FIRE WATER	4"	CHSR	NEW



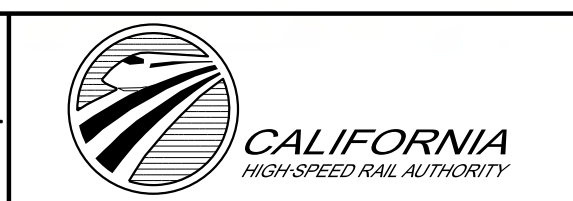
Projects\701206.00\_CHSRBP\00\_CADD\Sheet Files\UT\A1\1\_NBP-UT-C4037.dgn  
11/7/2017 2:50:44 PM  
OIC:Adodge

REV	DATE	BY	CHK	APP	DESCRIPTION

DESIGNED BY  
**D. CONYERS**  
DRAWN BY  
**H. TU**  
CHECKED BY  
**D. ARUTA**  
IN CHARGE  
**S. SMITH**  
DATE  
**10/31/2017**

**RECORD  
PEPD  
SUBMITTAL**

**NOT FOR  
CONSTRUCTION**



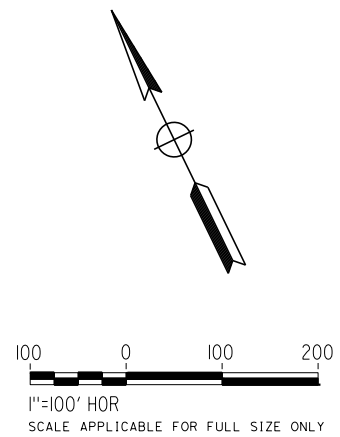
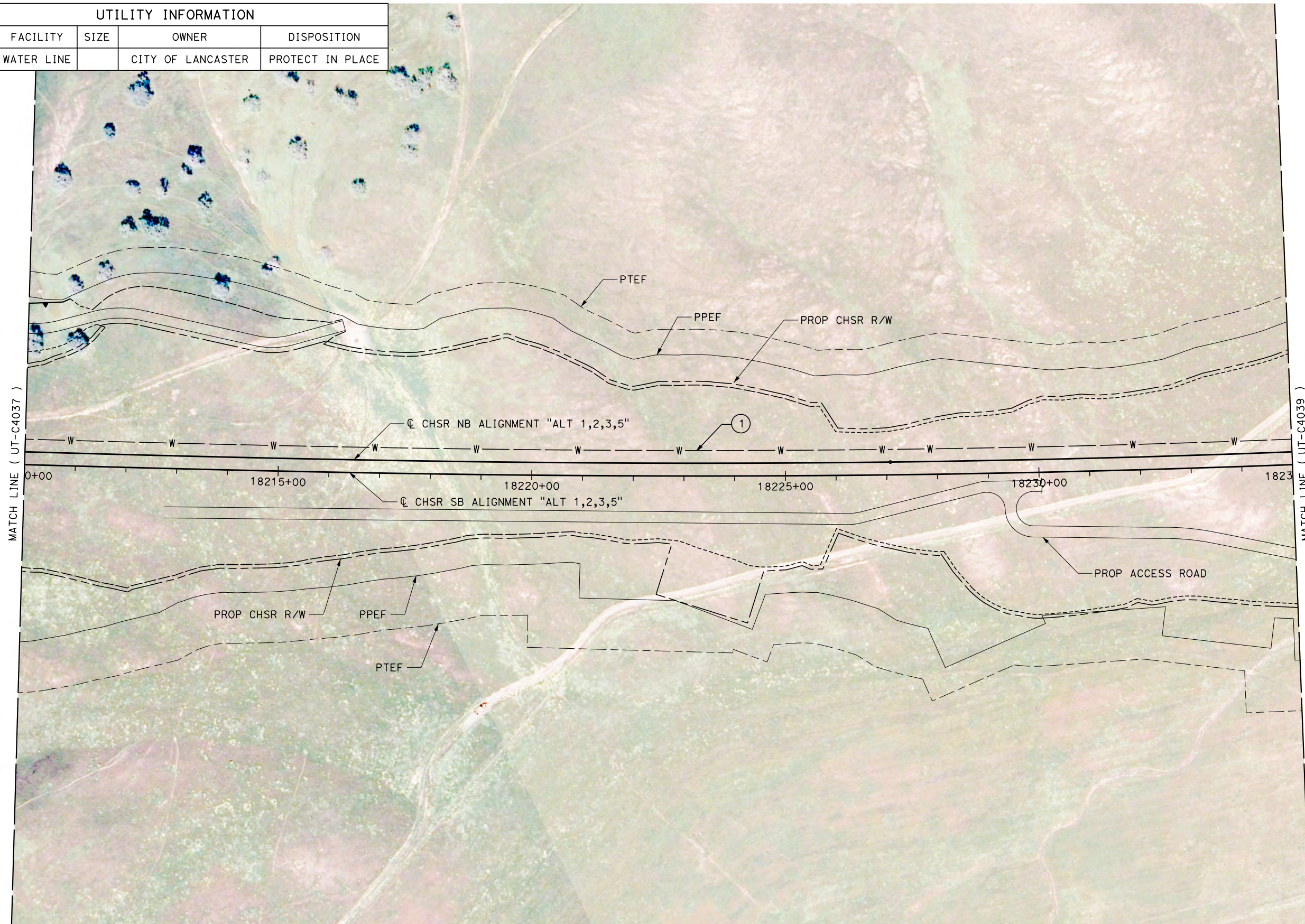
**CALIFORNIA HIGH-SPEED RAIL PROJECT  
BAKERSFIELD TO PALMDALE**

ALTERNATIVE 1,2,3,5  
COMPOSITE UTILITY PLAN  
STA 18185+00 TO 18210+00

CONTRACT NO.  
**HSR13-44**  
DRAWING NO.  
**UT-C4037**  
SCALE  
**AS SHOWN**  
SHEET NO.



UTILITY INFORMATION				
#	FACILITY	SIZE	OWNER	DISPOSITION
1	WATER LINE		CITY OF LANCASTER	PROTECT IN PLACE



Projects\701206.00\_CHSRBP\00\_CADD\Sheet Files\UT\AI\1\BP-UT-C4038.dgn

OIC:ADodge 11/7/2017 2:52:00 PM

REV	DATE	BY	CHK	APP	DESCRIPTION

DESIGNED BY  
**D. CONYERS**

DRAWN BY  
**H. TU**

CHECKED BY  
**D. ARUTA**

IN CHARGE  
**S. SMITH**

DATE  
**10/31/2017**

**RECORD  
PEPD  
SUBMITTAL**

**NOT FOR  
CONSTRUCTION**



**CALIFORNIA HIGH-SPEED RAIL PROJECT  
BAKERSFIELD TO PALMDALE**

ALTERNATIVE 1,2,3,5  
COMPOSITE UTILITY PLAN  
STA 18210+00 TO 18235+00

CONTRACT NO.  
**HSR13-44**

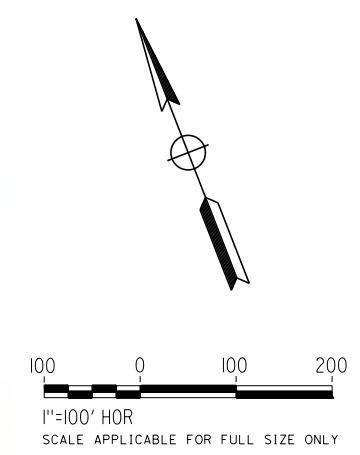
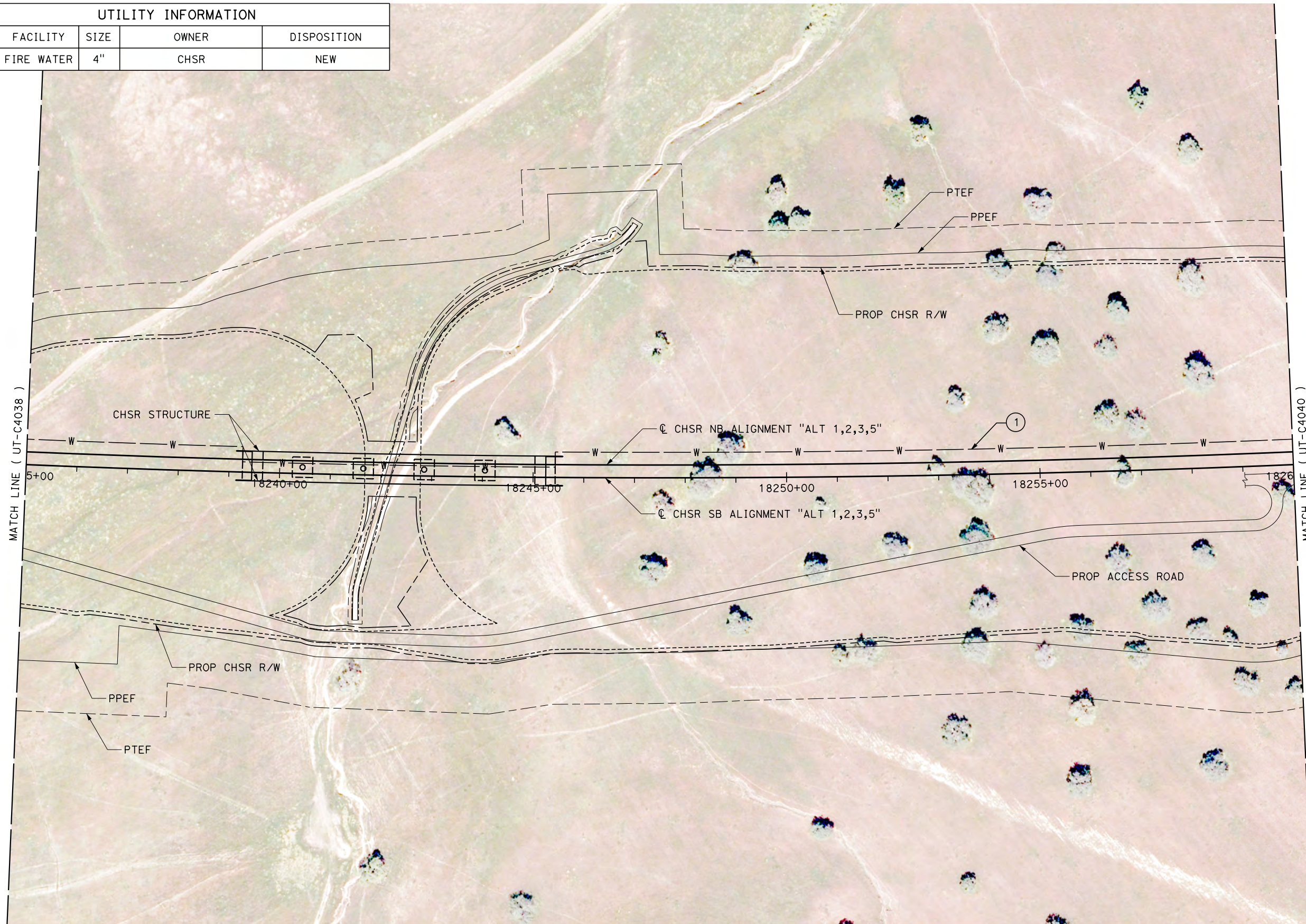
DRAWING NO.  
**UT-C4038**

SCALE  
**AS SHOWN**

SHEET NO.



UTILITY INFORMATION				
#	FACILITY	SIZE	OWNER	DISPOSITION
1	FIRE WATER	4"	CHSR	NEW



Projects\701206.00\_CHSRBP\00\_CADD\Sheet Files\UT\1\1\BP-UT-C4039.dgn  
11/7/2017 2:52:48 PM  
OIC:ADodge

REV	DATE	BY	CHK	APP	DESCRIPTION

DESIGNED BY  
**D. CONYERS**  
DRAWN BY  
**H. TU**  
CHECKED BY  
**D. ARUTA**  
IN CHARGE  
**S. SMITH**  
DATE  
**10/31/2017**

**RECORD  
PEPD  
SUBMITTAL**

**NOT FOR  
CONSTRUCTION**



**CALIFORNIA HIGH-SPEED RAIL PROJECT  
BAKERSFIELD TO PALMDALE**

ALTERNATIVE 1,2,3,5  
COMPOSITE UTILITY PLAN  
STA 18235+00 TO 18260+00

CONTRACT NO.  
**HSR13-44**

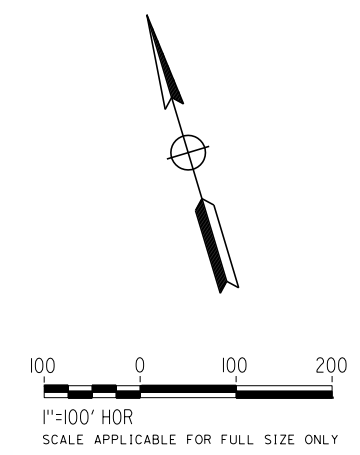
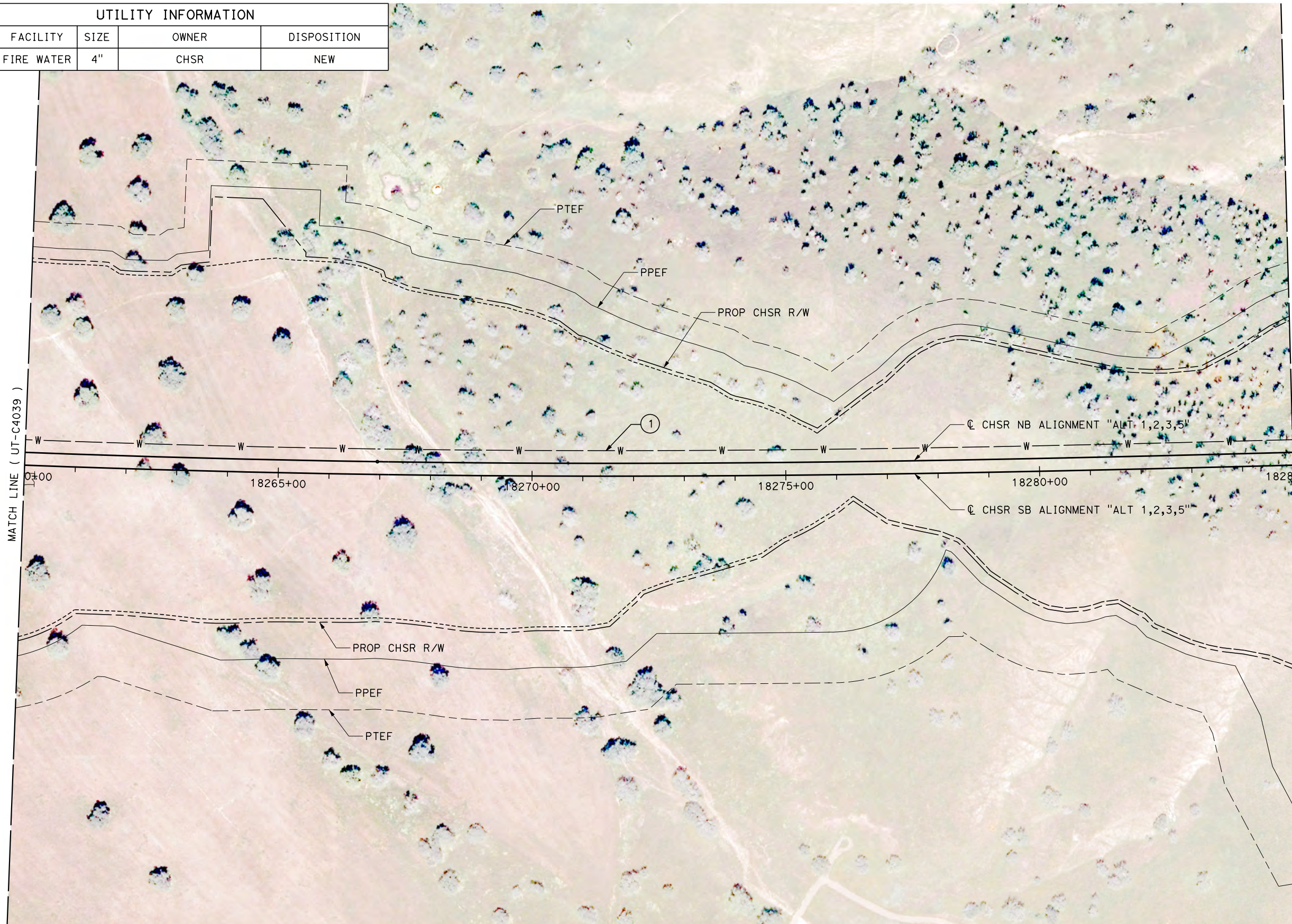
DRAWING NO.  
**UT-C4039**

SCALE  
**AS SHOWN**

SHEET NO.



UTILITY INFORMATION				
#	FACILITY	SIZE	OWNER	DISPOSITION
1	FIRE WATER	4"	CHSR	NEW



11/7/2017 2:41:16 PM  
 Projects\701206.00\_CHSRBP\00\_CADD\Sheet Files\UT\A1\1\_NBP-UT-C4040.dgn  
 OIC:ADodge

REV	DATE	BY	CHK	APP	DESCRIPTION

DESIGNED BY  
**D. CONYERS**  
 DRAWN BY  
**H. TU**  
 CHECKED BY  
**D. ARUTA**  
 IN CHARGE  
**S. SMITH**  
 DATE  
**10/31/2017**

**RECORD  
 PEPD  
 SUBMITTAL**  
  
**NOT FOR  
 CONSTRUCTION**

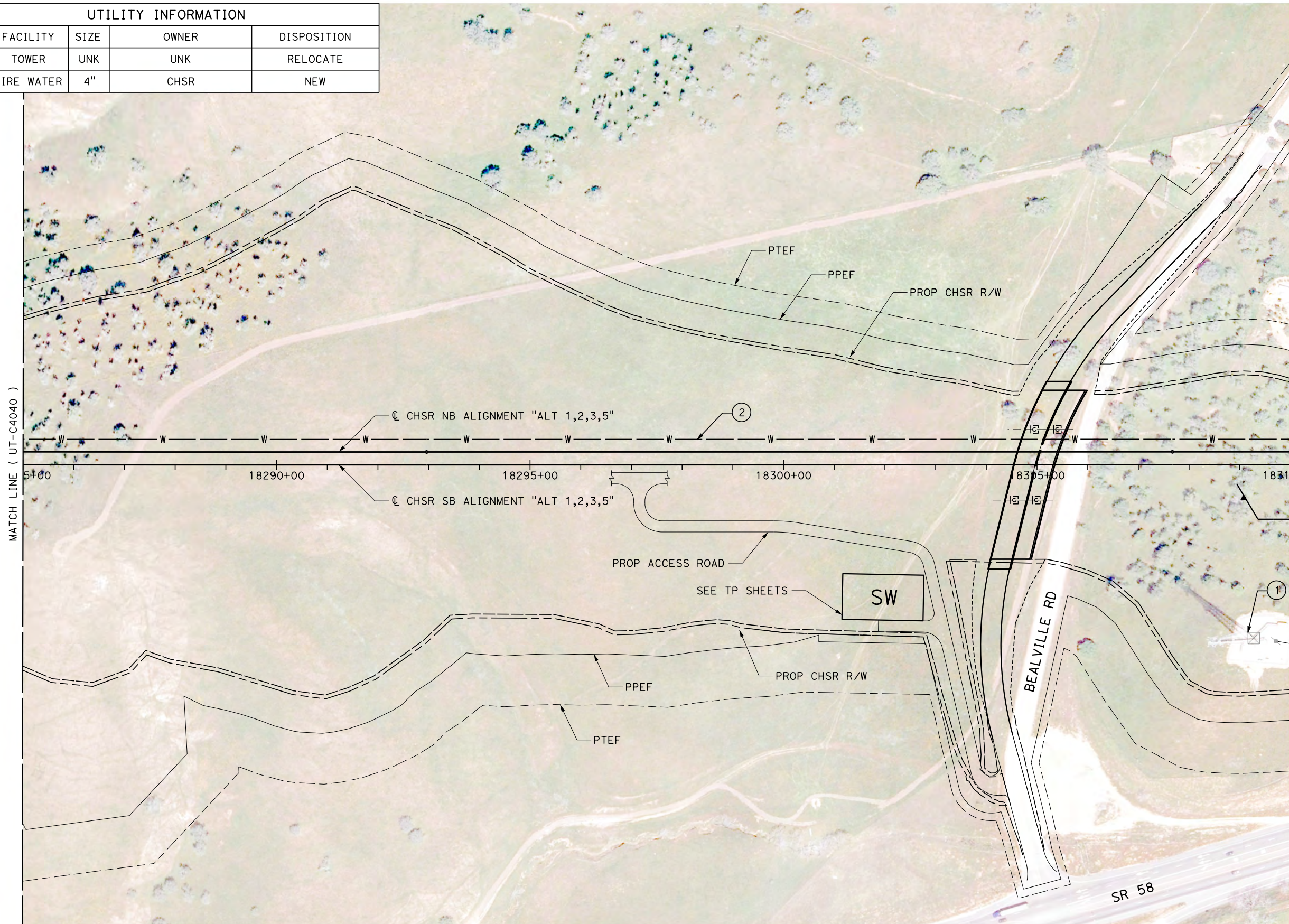


**CALIFORNIA HIGH-SPEED RAIL PROJECT  
 BAKERSFIELD TO PALMDALE**  
  
 ALTERNATIVE 1,2,3,5  
 COMPOSITE UTILITY PLAN  
 STA 18260+00 TO 18285+00

CONTRACT NO.  
**HSR13-44**  
 DRAWING NO.  
**UT-C4040**  
 SCALE  
**AS SHOWN**  
 SHEET NO.

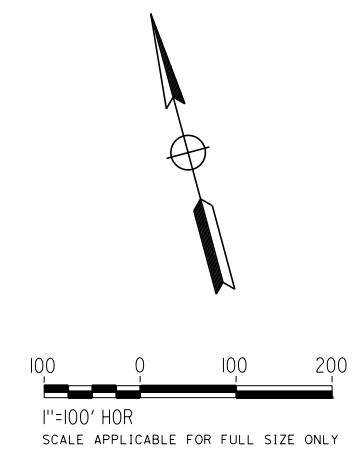


UTILITY INFORMATION				
#	FACILITY	SIZE	OWNER	DISPOSITION
1	TOWER	UNK	UNK	RELOCATE
2	FIRE WATER	4"	CHSR	NEW



MATCH LINE ( UT-C4040 )

MATCH LINE ( UT-C4042 )



Projects\701206.00\_CHSRBP\00\_CADD\Sheet\_Files\UT\AI\1\BP-UT-C4041.dgn 11/7/2017 2:41:15 PM OIC:Adodge

REV	DATE	BY	CHK	APP	DESCRIPTION

DESIGNED BY  
**D. CONYERS**  
DRAWN BY  
**H. TU**  
CHECKED BY  
**D. ARUTA**  
IN CHARGE  
**S. SMITH**  
DATE  
**10/31/2017**

**RECORD  
PEPD  
SUBMITTAL**

**NOT FOR  
CONSTRUCTION**



**CALIFORNIA HIGH-SPEED RAIL PROJECT  
BAKERSFIELD TO PALMDALE**

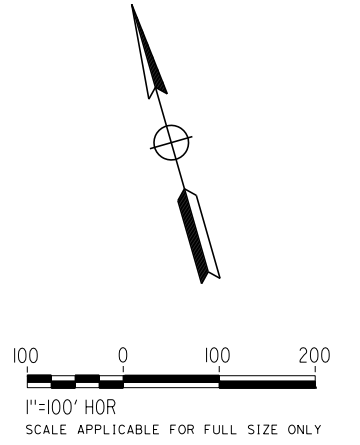
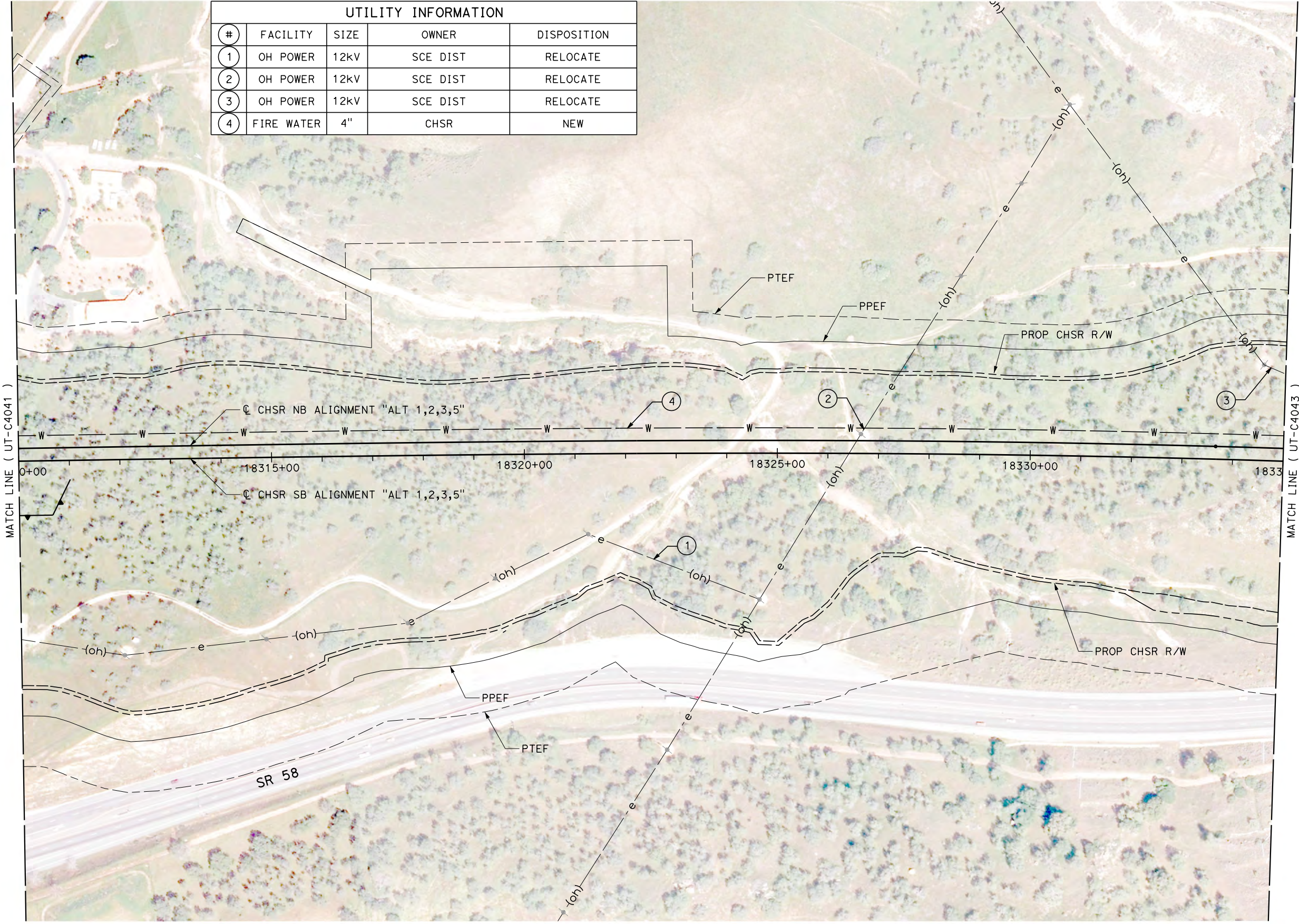
ALTERNATIVE 1,2,3,5  
COMPOSITE UTILITY PLAN  
STA 18285+00 TO 18310+00

CONTRACT NO.  
**HSR13-44**  
DRAWING NO.  
**UT-C4041**  
SCALE  
**AS SHOWN**  
SHEET NO.



Projects\701206.00\_CHSRBP\00\_CADD\Sheet\_Files\UT\A1\1\_NBP\_UT-C4042.dgn  
 OIC:ADodge 11/7/2017 2:41:03 PM

UTILITY INFORMATION				
#	FACILITY	SIZE	OWNER	DISPOSITION
1	OH POWER	12kV	SCE DIST	RELOCATE
2	OH POWER	12kV	SCE DIST	RELOCATE
3	OH POWER	12kV	SCE DIST	RELOCATE
4	FIRE WATER	4"	CHSR	NEW



REV	DATE	BY	CHK	APP	DESCRIPTION

DESIGNED BY  
**D. CONYERS**  
 DRAWN BY  
**H. TU**  
 CHECKED BY  
**D. ARUTA**  
 IN CHARGE  
**S. SMITH**  
 DATE  
**10/31/2017**

**RECORD  
PEPD  
SUBMITTAL**  
  
**NOT FOR  
CONSTRUCTION**

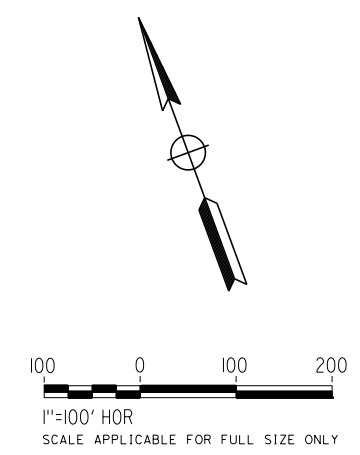
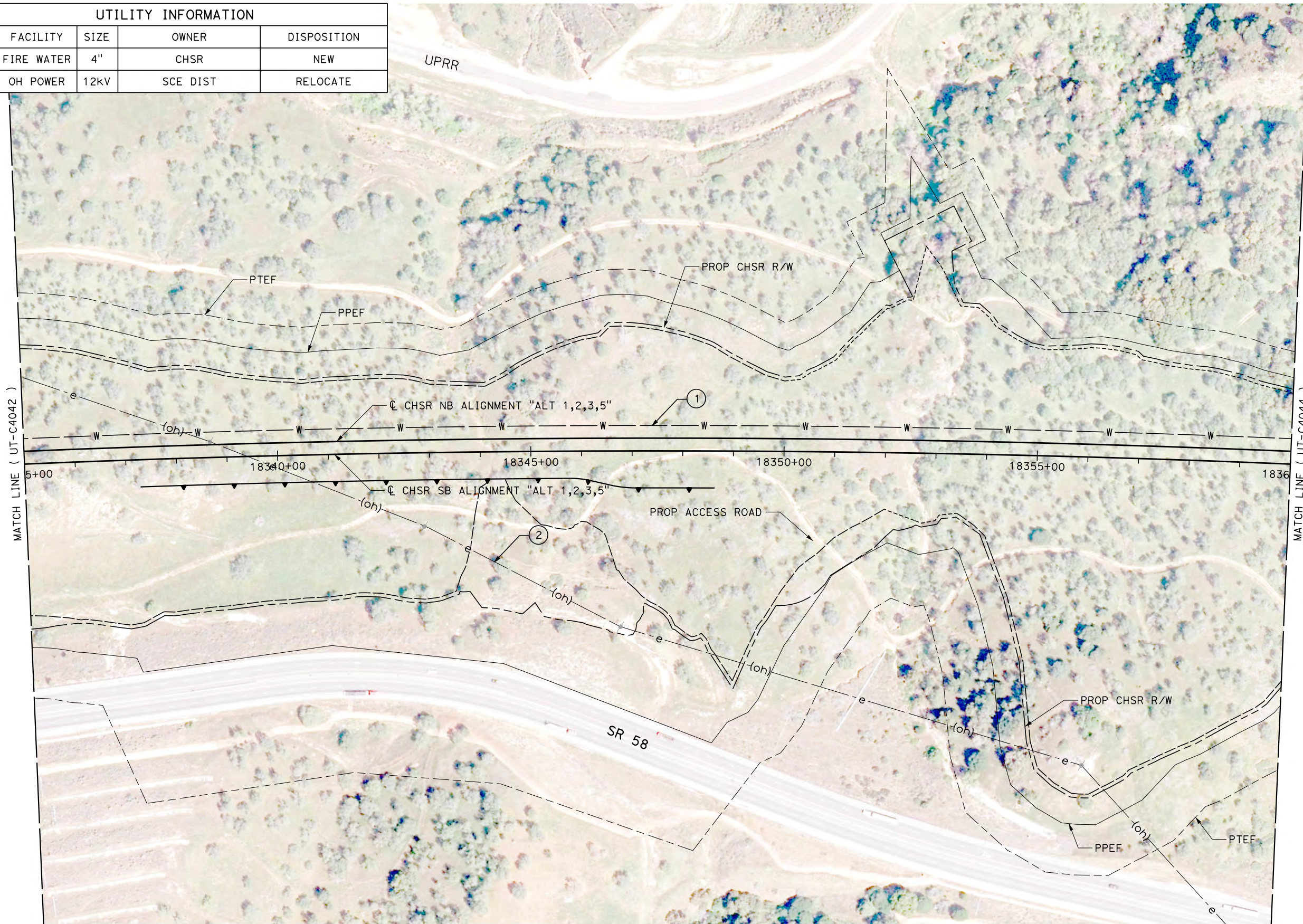


**CALIFORNIA HIGH-SPEED RAIL PROJECT  
BAKERSFIELD TO PALMDALE**  
  
 ALTERNATIVE 1,2,3,5  
 COMPOSITE UTILITY PLAN  
 STA 18310+00 TO 18335+00

CONTRACT NO.  
**HSR13-44**  
 DRAWING NO.  
**UT-C4042**  
 SCALE  
**AS SHOWN**  
 SHEET NO.



UTILITY INFORMATION				
#	FACILITY	SIZE	OWNER	DISPOSITION
1	FIRE WATER	4"	CHSR	NEW
2	OH POWER	12kV	SCE DIST	RELOCATE



Projects\701206.00\_CHSRBP\00\_CADD\Sheet Files\UT\A1\1\_NBP-UT-C4043.dgn  
 11/7/2017 2:41:21 PM  
 OIC:Adodge

REV	DATE	BY	CHK	APP	DESCRIPTION

DESIGNED BY  
**D. CONYERS**  
 DRAWN BY  
**H. TU**  
 CHECKED BY  
**D. ARUTA**  
 IN CHARGE  
**S. SMITH**  
 DATE  
**10/31/2017**

**RECORD  
 PEPD  
 SUBMITTAL**  
  
**NOT FOR  
 CONSTRUCTION**

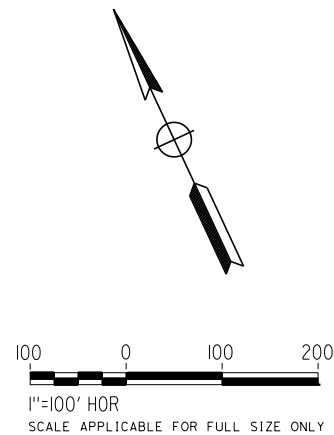
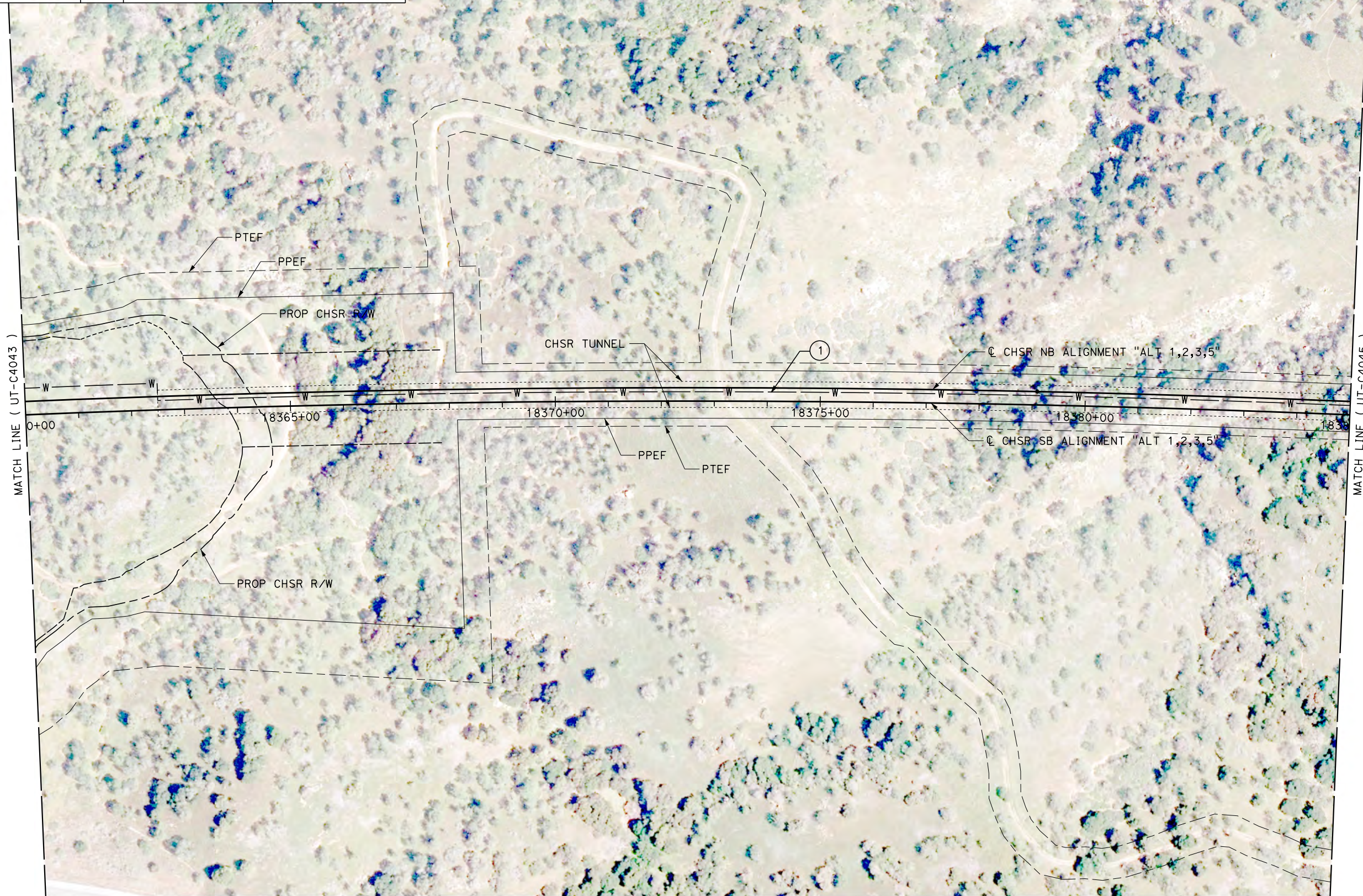


**CALIFORNIA HIGH-SPEED RAIL PROJECT  
 BAKERSFIELD TO PALMDALE**  
  
 ALTERNATIVE 1,2,3,5  
 COMPOSITE UTILITY PLAN  
 STA 18335+00 TO 18360+00

CONTRACT NO.  
**HSR13-44**  
 DRAWING NO.  
**UT-C4043**  
 SCALE  
**AS SHOWN**  
 SHEET NO.



UTILITY INFORMATION				
#	FACILITY	SIZE	OWNER	DISPOSITION
1	FIRE WATER	4"	CHSR	NEW



Projects\701206.00\_CHSRBP\00\_CADD\Sheet\_Files\UT\A1\1\_NBP-UT-C4044.dgn

OIC:Adodge 11/7/2017 2:41:13 PM

REV	DATE	BY	CHK	APP	DESCRIPTION

DESIGNED BY  
**D. CONYERS**  
DRAWN BY  
**H. TU**  
CHECKED BY  
**D. ARUTA**  
IN CHARGE  
**S. SMITH**  
DATE  
**10/31/2017**

**RECORD  
PEPD  
SUBMITTAL**

**NOT FOR  
CONSTRUCTION**



**CALIFORNIA HIGH-SPEED RAIL PROJECT  
BAKERSFIELD TO PALMDALE**

ALTERNATIVE 1,2,3,5  
COMPOSITE UTILITY PLAN  
STA 18360+00 TO 18385+00

CONTRACT NO.  
**HSR13-44**

DRAWING NO.  
**UT-C4044**

SCALE  
**AS SHOWN**

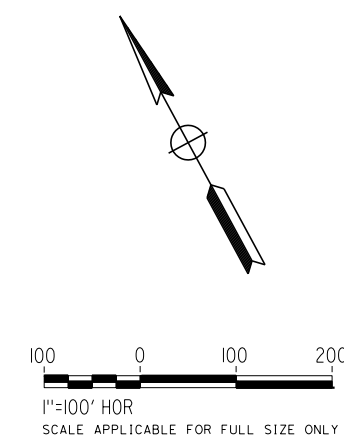
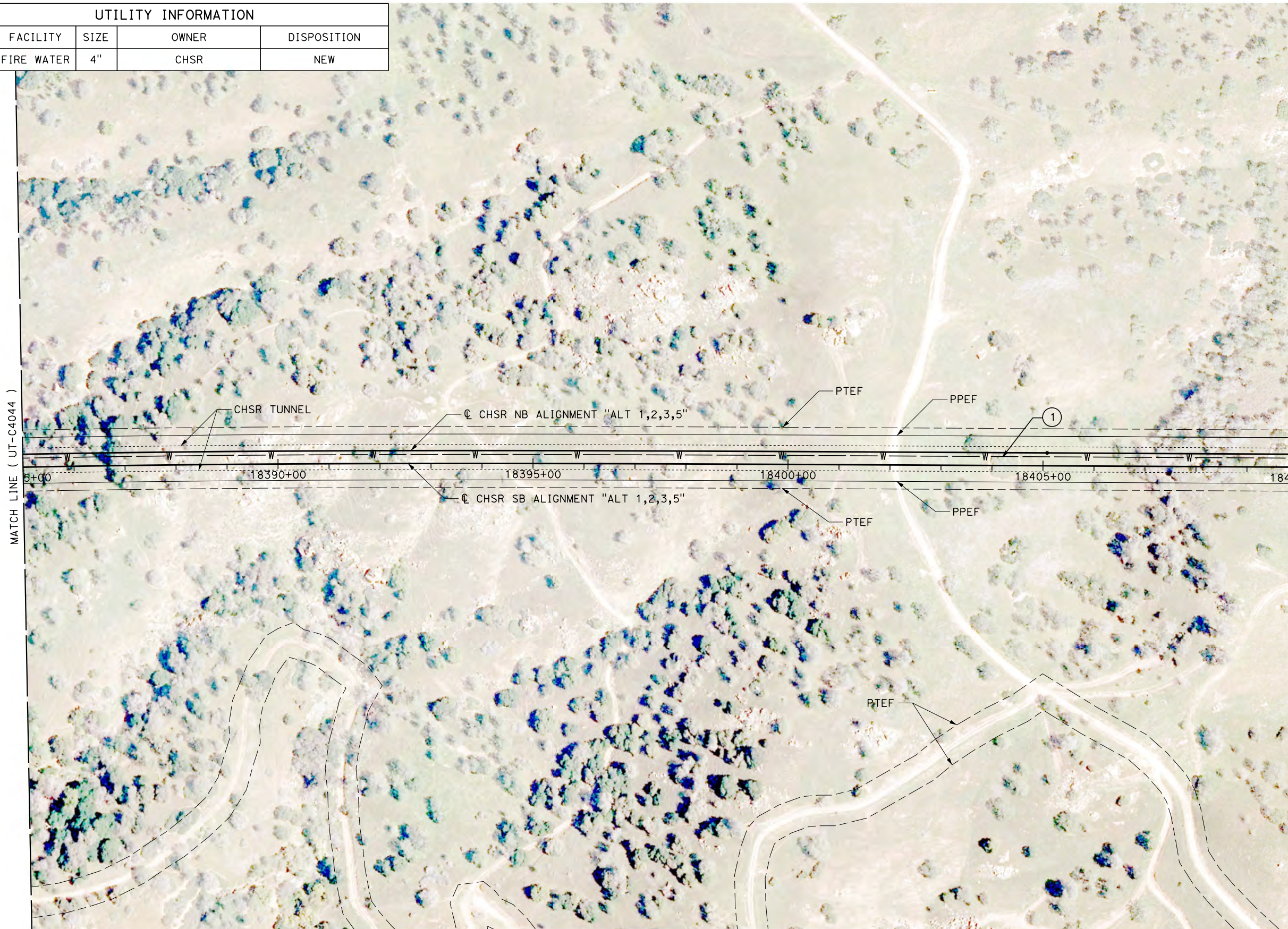
SHEET NO.



UTILITY INFORMATION				
#	FACILITY	SIZE	OWNER	DISPOSITION
1	FIRE WATER	4"	CHSR	NEW

MATCH LINE ( UT-C4044 )

MATCH LINE ( UT-C4046 )



Projects\701206.00\_CHSRBP\00\_CADD\Sheet Files\UT\A1\1\BP-UT-C4045.dgn

REV	DATE	BY	CHK	APP	DESCRIPTION

DESIGNED BY <b>D. CONYERS</b>
DRAWN BY <b>H. TU</b>
CHECKED BY <b>D. ARUTA</b>
IN CHARGE <b>S. SMITH</b>
DATE <b>10/31/2017</b>

**RECORD  
PEPD  
SUBMITTAL**

**NOT FOR  
CONSTRUCTION**



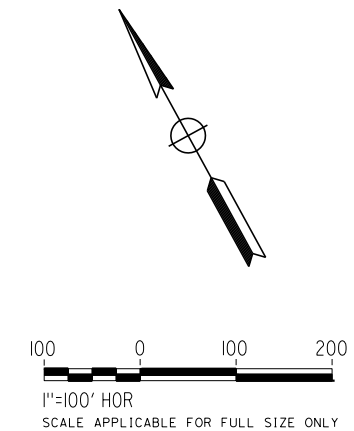
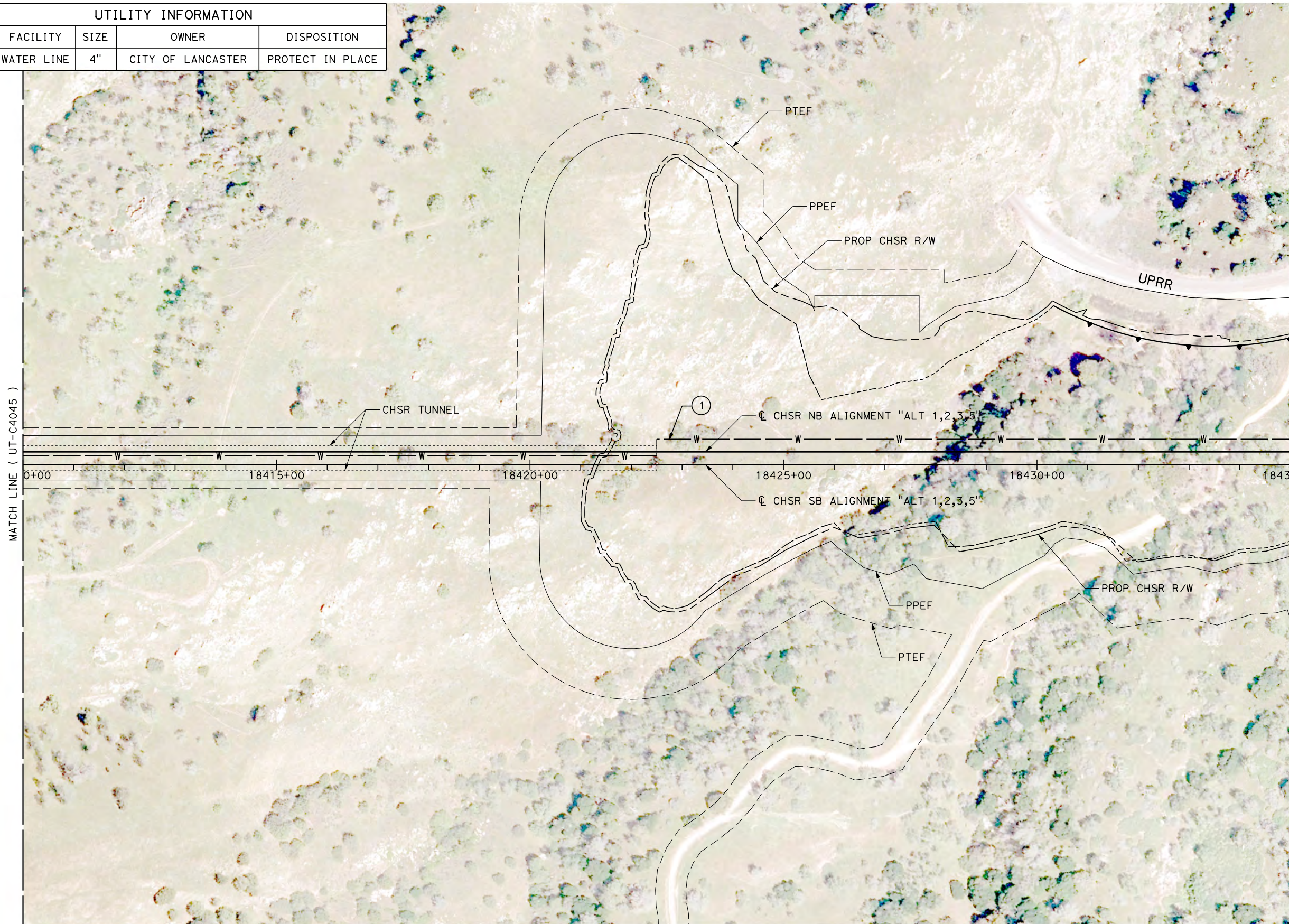
**CALIFORNIA HIGH-SPEED RAIL PROJECT  
BAKERSFIELD TO PALMDALE**

ALTERNATIVE 1,2,3,5  
COMPOSITE UTILITY PLAN  
STA 18385+00 TO 18410+00

CONTRACT NO. <b>HSR13-44</b>
DRAWING NO. <b>UT-C4045</b>
SCALE <b>AS SHOWN</b>
SHEET NO.



UTILITY INFORMATION				
#	FACILITY	SIZE	OWNER	DISPOSITION
1	WATER LINE	4"	CITY OF LANCASTER	PROTECT IN PLACE



Projects\701206.00\_CHSRBP\00\_CADD\Sheet Files\UT\A1\1\_NBP-UT-C4046.dgn

OIC:Adodge 11/7/2017 2:41:18 PM

REV	DATE	BY	CHK	APP	DESCRIPTION

DESIGNED BY  
**D. CONYERS**

DRAWN BY  
**H. TU**

CHECKED BY  
**D. ARUTA**

IN CHARGE  
**S. SMITH**

DATE  
**10/31/2017**

**RECORD  
PEPD  
SUBMITTAL**

**NOT FOR  
CONSTRUCTION**



**CALIFORNIA HIGH-SPEED RAIL PROJECT  
BAKERSFIELD TO PALMDALE**

ALTERNATIVE 1,2,3,5  
COMPOSITE UTILITY PLAN  
STA 18410+00 TO 18435+00

CONTRACT NO.  
**HSR13-44**

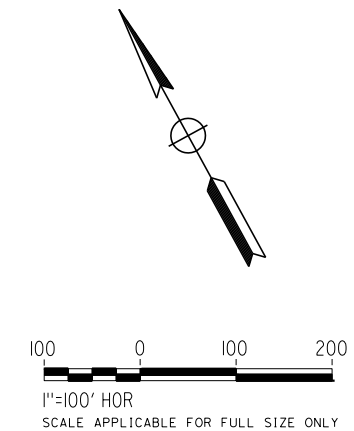
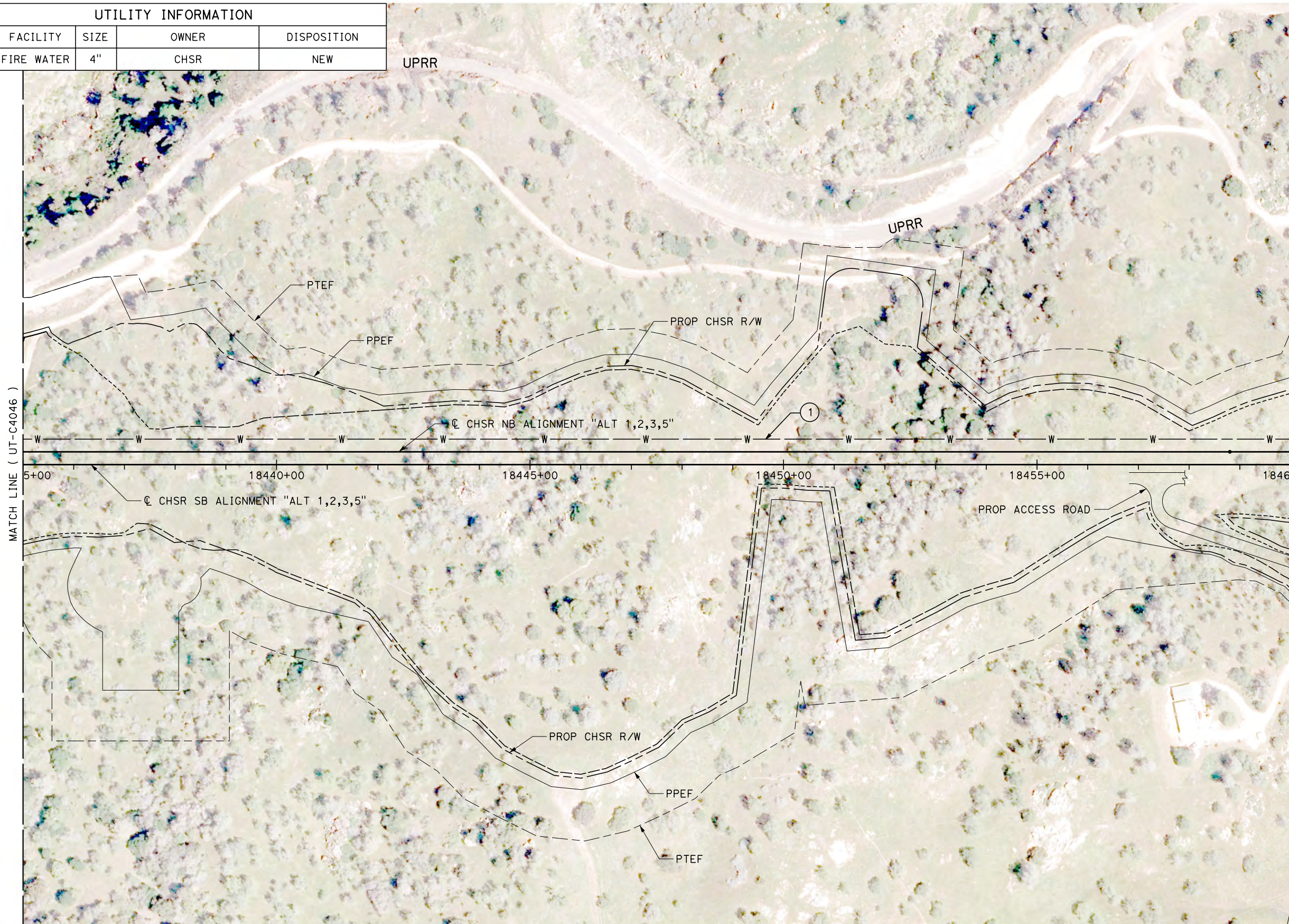
DRAWING NO.  
**UT-C4046**

SCALE  
**AS SHOWN**

SHEET NO.



UTILITY INFORMATION				
#	FACILITY	SIZE	OWNER	DISPOSITION
1	FIRE WATER	4"	CHSR	NEW



Projects\701206.00\_CHSRBP\00\_CADD\Sheet\_Files\UT\A1\1\_NBP-UT-C4047.dgn  
11/7/2017 8:25:41 PM  
OIC:Adodge

REV	DATE	BY	CHK	APP	DESCRIPTION

DESIGNED BY  
**D. CONYERS**  
DRAWN BY  
**H. TU**  
CHECKED BY  
**D. ARUTA**  
IN CHARGE  
**S. SMITH**  
DATE  
**10/31/2017**

**RECORD  
PEPD  
SUBMITTAL**

**NOT FOR  
CONSTRUCTION**



**CALIFORNIA HIGH-SPEED RAIL PROJECT  
BAKERSFIELD TO PALMDALE**

ALTERNATIVE 1,2,3,5  
COMPOSITE UTILITY PLAN  
STA 18435+00 TO 18460+00

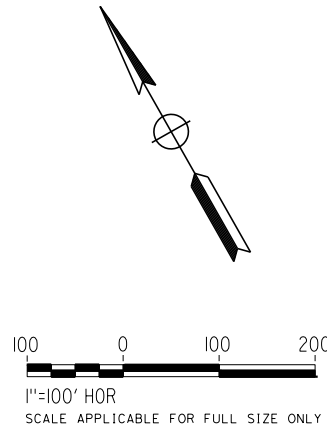
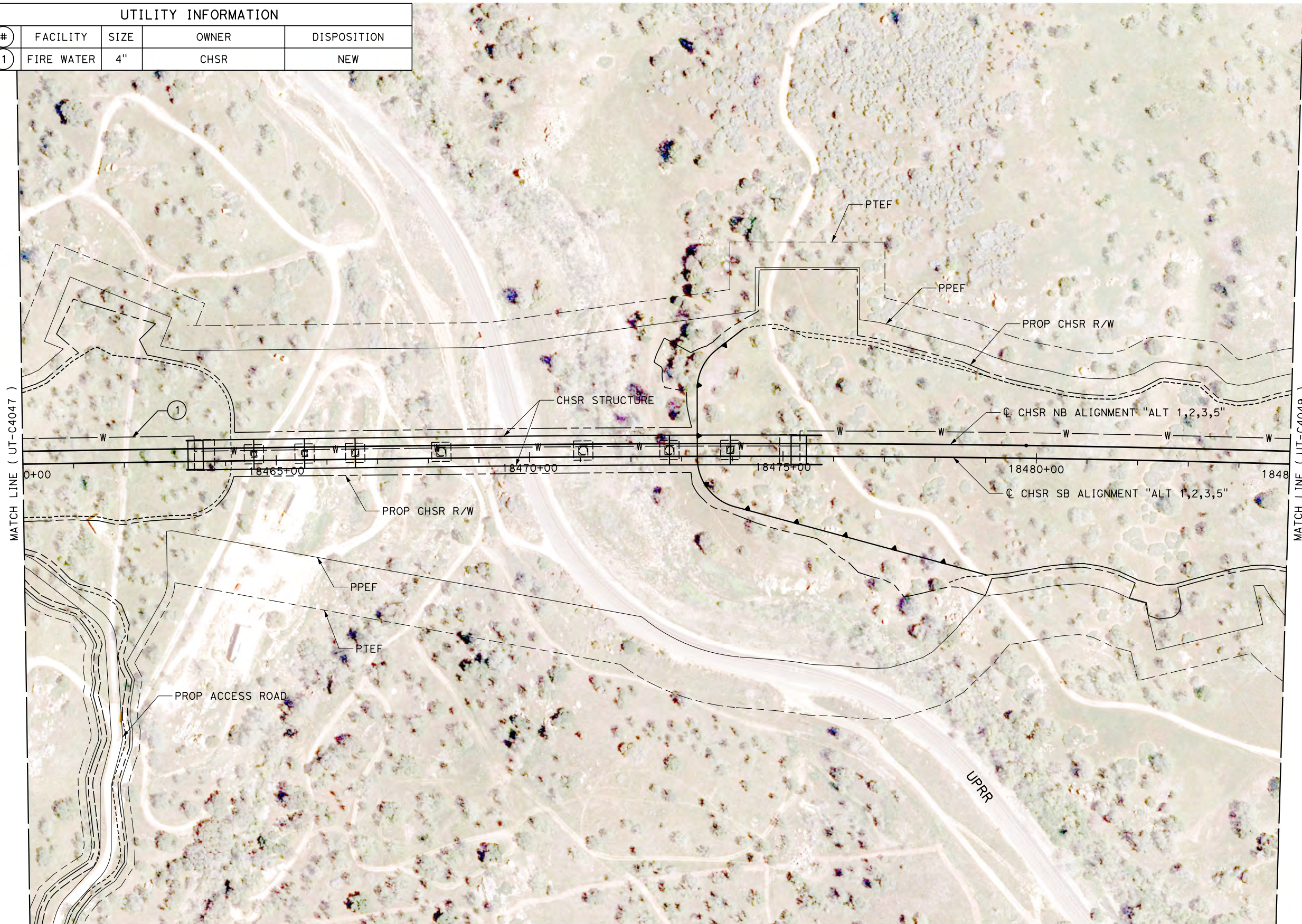
CONTRACT NO.  
**HSR13-44**  
DRAWING NO.  
**UT-C4047**  
SCALE  
**AS SHOWN**  
SHEET NO.



Projects\701206.00\_CHSRBP\00\_CADD\Sheet Files\UT\A1\1\BP-UT-C4048.dgn

OIC:Adodge 11/7/2017 2:43:45 PM

UTILITY INFORMATION				
#	FACILITY	SIZE	OWNER	DISPOSITION
1	FIRE WATER	4"	CHSR	NEW



REV	DATE	BY	CHK	APP	DESCRIPTION

DESIGNED BY  
**D. CONYERS**  
DRAWN BY  
**H. TU**  
CHECKED BY  
**D. ARUTA**  
IN CHARGE  
**S. SMITH**  
DATE  
**10/31/2017**

**RECORD  
PEPD  
SUBMITTAL**

**NOT FOR  
CONSTRUCTION**



**CALIFORNIA HIGH-SPEED RAIL PROJECT  
BAKERSFIELD TO PALMDALE**

ALTERNATIVE 1,2,3,5  
COMPOSITE UTILITY PLAN  
STA 18460+00 TO 18485+00

CONTRACT NO.  
**HSR13-44**

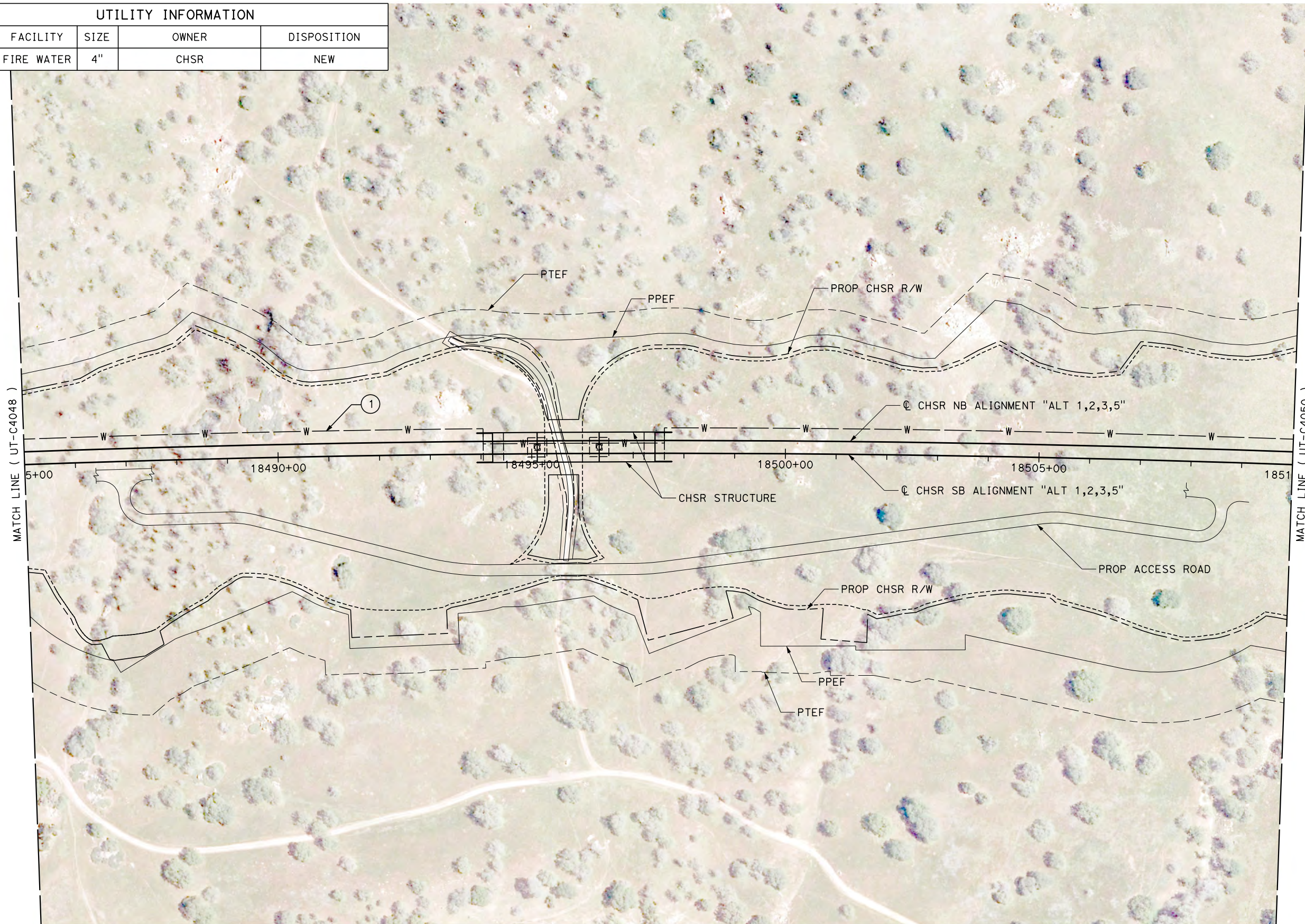
DRAWING NO.  
**UT-C4048**

SCALE  
**AS SHOWN**

SHEET NO.

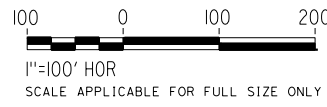


UTILITY INFORMATION				
#	FACILITY	SIZE	OWNER	DISPOSITION
1	FIRE WATER	4"	CHSR	NEW



MATCH LINE ( UT-C4048 )

MATCH LINE ( UT-C4050 )



Projects\701206.00\_CHSRBP\00\_CADD\Sheet\_Files\UT\A\1\BP-UT-C4049.dgn  
11/7/2017 2:43:43 PM  
OIC:Adodge

REV	DATE	BY	CHK	APP	DESCRIPTION

DESIGNED BY  
**D. CONYERS**

DRAWN BY  
**H. TU**

CHECKED BY  
**D. ARUTA**

IN CHARGE  
**S. SMITH**

DATE  
**10/31/2017**

**RECORD  
PEPD  
SUBMITTAL**

**NOT FOR  
CONSTRUCTION**



**CALIFORNIA HIGH-SPEED RAIL PROJECT  
BAKERSFIELD TO PALMDALE**

ALTERNATIVE 1,2,3,5  
COMPOSITE UTILITY PLAN  
STA 18485+00 TO 18510+00

CONTRACT NO.  
**HSR13-44**

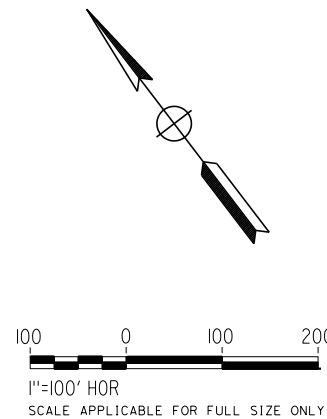
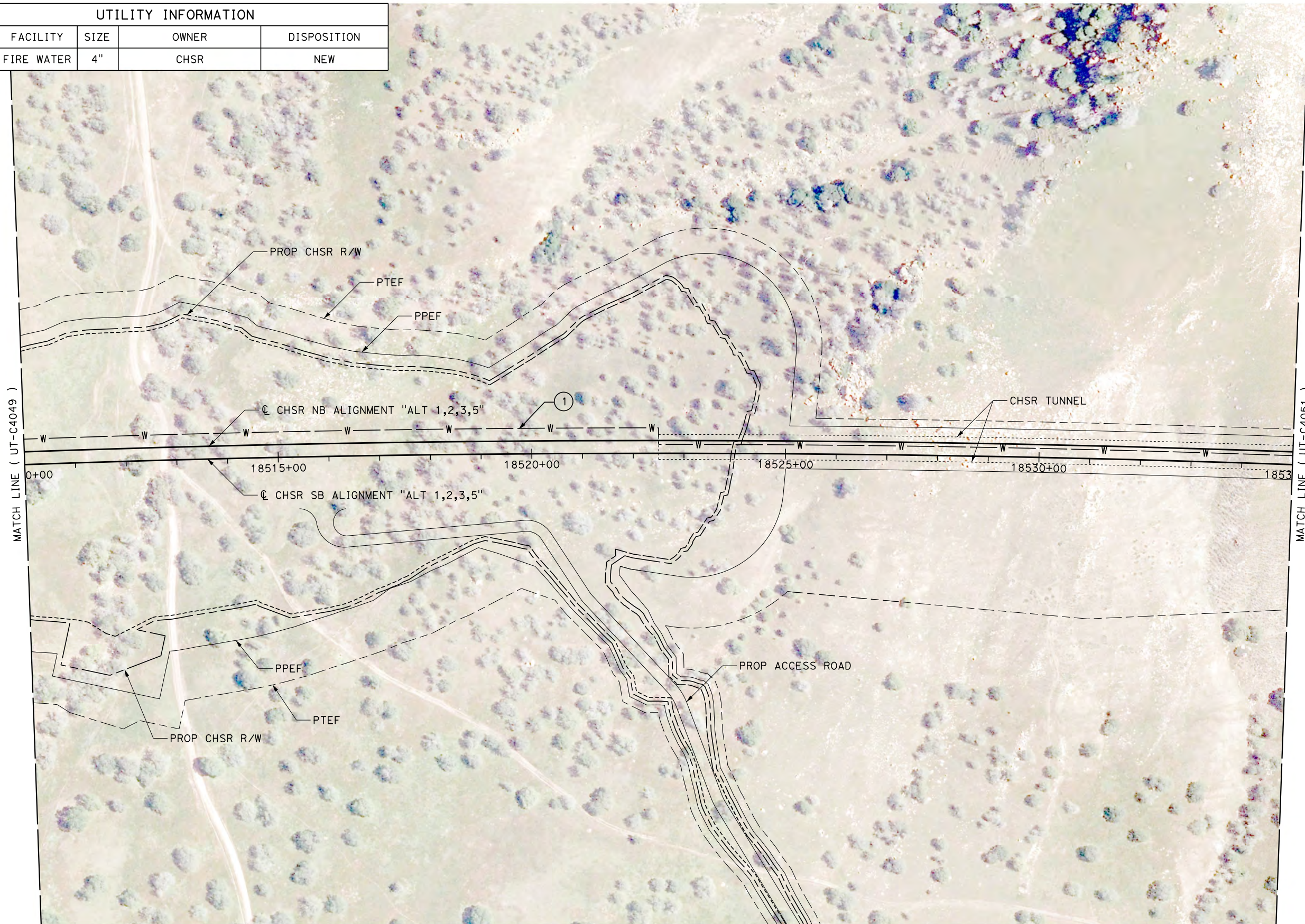
DRAWING NO.  
**UT-C4049**

SCALE  
**AS SHOWN**

SHEET NO.



UTILITY INFORMATION				
#	FACILITY	SIZE	OWNER	DISPOSITION
1	FIRE WATER	4"	CHSR	NEW



Projects\701206.00\_CHSRBP\00\_CADD\Sheet Files\UT\AI\1\BP-UT-C4050.dgn

OIC:Adodge 11/7/2017 2:45:14 PM

REV	DATE	BY	CHK	APP	DESCRIPTION

DESIGNED BY  
**D. CONYERS**  
DRAWN BY  
**H. TU**  
CHECKED BY  
**D. ARUTA**  
IN CHARGE  
**S. SMITH**  
DATE  
**10/31/2017**

**RECORD  
PEPD  
SUBMITTAL**

**NOT FOR  
CONSTRUCTION**



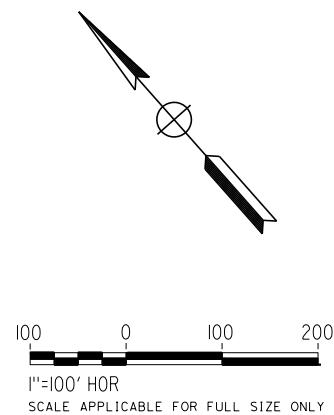
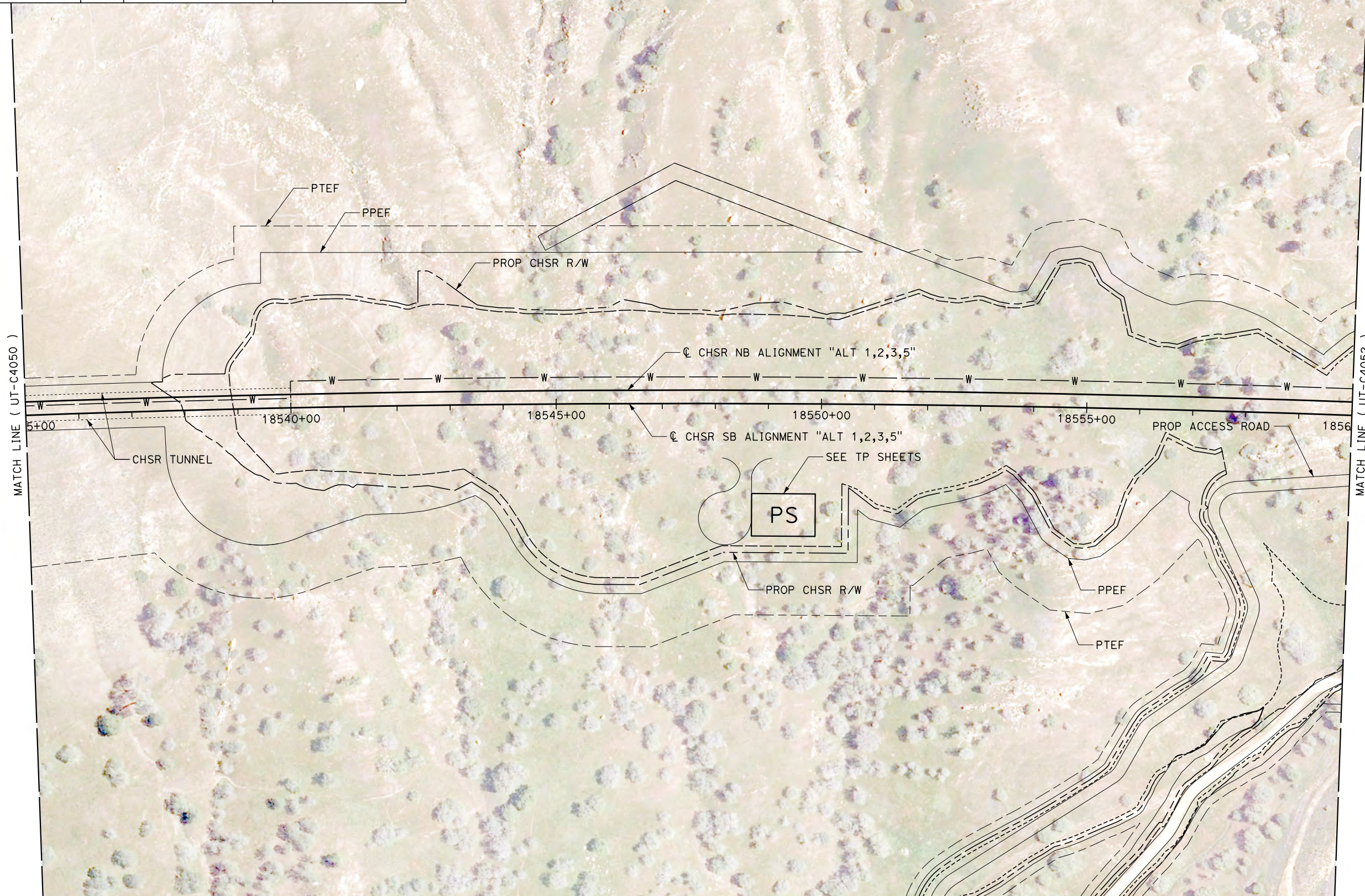
**CALIFORNIA HIGH-SPEED RAIL PROJECT  
BAKERSFIELD TO PALMDALE**

ALTERNATIVE 1,2,3,5  
COMPOSITE UTILITY PLAN  
STA 18510+00 TO 18535+00

CONTRACT NO.  
**HSR13-44**  
DRAWING NO.  
**UT-C4050**  
SCALE  
**AS SHOWN**  
SHEET NO.



UTILITY INFORMATION				
#	FACILITY	SIZE	OWNER	DISPOSITION
1	FIRE WATER	4"	CHSR	NEW



Projects\701206.00\_CHSRBP\00\_CADD\Sheet\_Files\UT\A\1\BP-UT-C4051.dgn

OIC:Adodge 11/7/2017 2:46:07 PM

REV	DATE	BY	CHK	APP	DESCRIPTION

DESIGNED BY  
**D. CONYERS**  
DRAWN BY  
**H. TU**  
CHECKED BY  
**D. ARUTA**  
IN CHARGE  
**S. SMITH**  
DATE  
**10/31/2017**

**RECORD  
PEPD  
SUBMITTAL**

**NOT FOR  
CONSTRUCTION**



**CALIFORNIA HIGH-SPEED RAIL PROJECT  
BAKERSFIELD TO PALMDALE**

ALTERNATIVE 1,2,3,5  
COMPOSITE UTILITY PLAN  
STA 18535+00 TO 18560+00

CONTRACT NO.  
**HSR13-44**

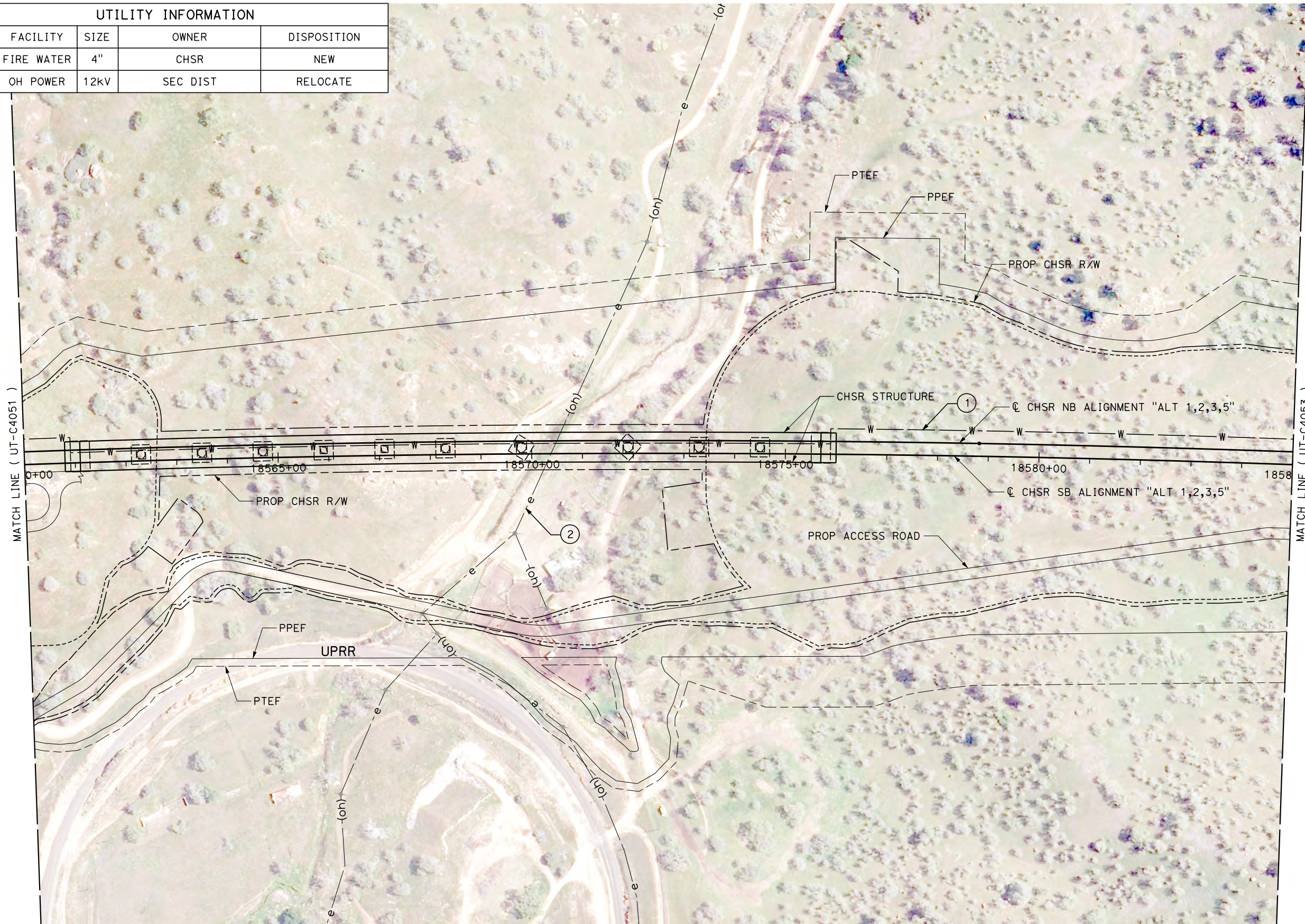
DRAWING NO.  
**UT-C4051**

SCALE  
**AS SHOWN**

SHEET NO.

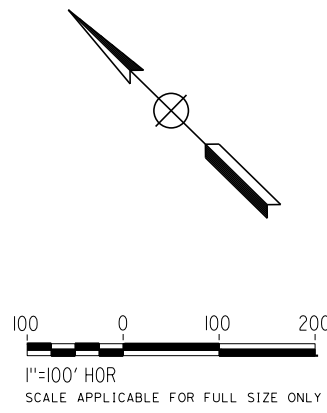


UTILITY INFORMATION				
#	FACILITY	SIZE	OWNER	DISPOSITION
1	FIRE WATER	4"	CHSR	NEW
2	OH POWER	12kV	SEC DIST	RELOCATE



MATCH LINE ( UT-C4051 )

MATCH LINE ( UT-C4053 )



Projects\701206.00\_CHSRBP\00\_CADD\Sheet Files\UT\AI\1\BP-UT-C4052.dgn

OIC:Adodge 11/7/2017 2:46:23 PM

REV	DATE	BY	CHK	APP	DESCRIPTION

DESIGNED BY  
**D. CONYERS**

DRAWN BY  
**H. TU**

CHECKED BY  
**D. ARUTA**

IN CHARGE  
**S. SMITH**

DATE  
**10/31/2017**

**RECORD  
PEPD  
SUBMITTAL**

**NOT FOR  
CONSTRUCTION**



**CALIFORNIA HIGH-SPEED RAIL PROJECT  
BAKERSFIELD TO PALMDALE**

ALTERNATIVE 1,2,3,5  
COMPOSITE UTILITY PLAN  
STA 18560+00 TO 18585+00

CONTRACT NO.  
HSR13-44

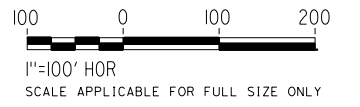
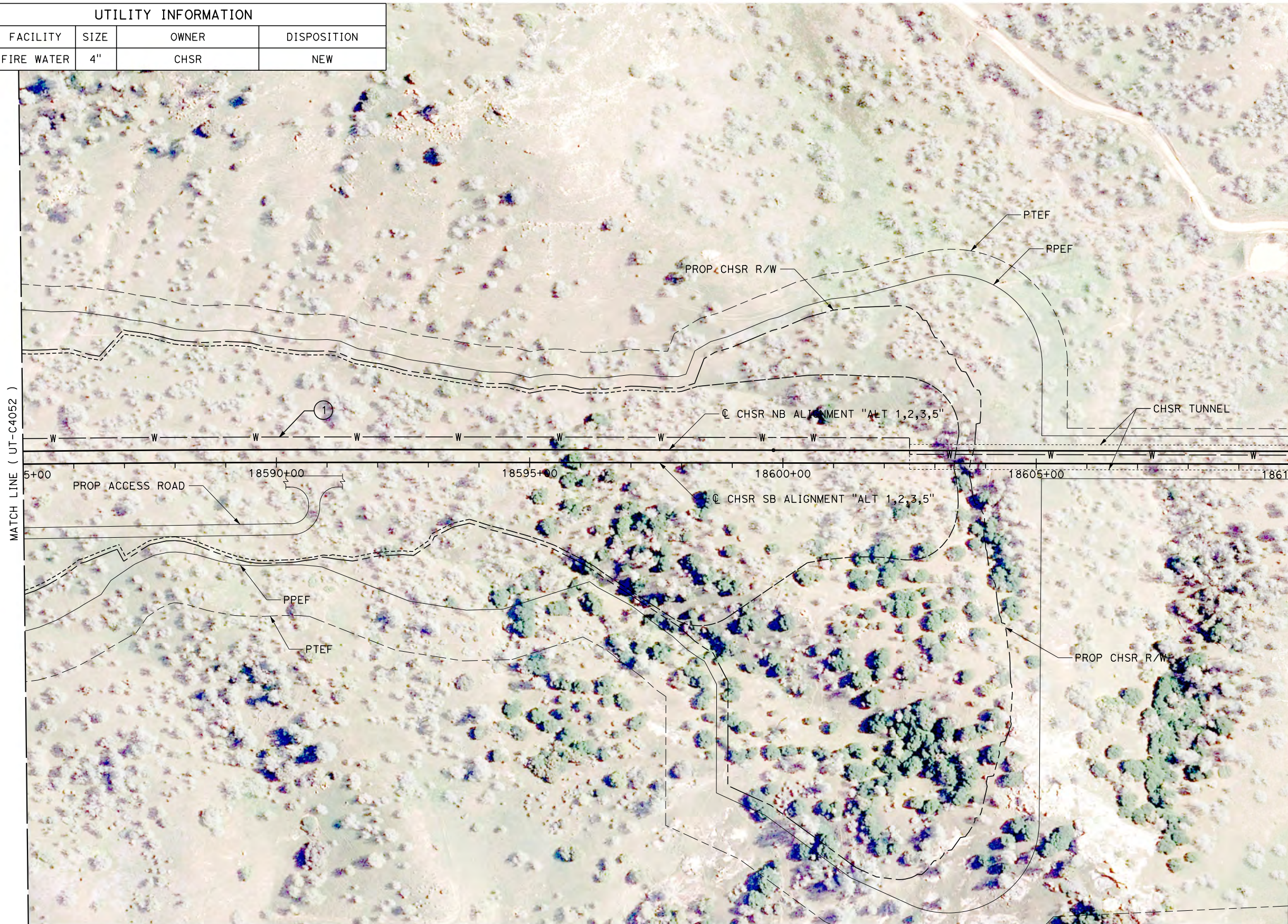
DRAWING NO.  
UT-C4052

SCALE  
AS SHOWN

SHEET NO.



UTILITY INFORMATION				
#	FACILITY	SIZE	OWNER	DISPOSITION
1	FIRE WATER	4"	CHSR	NEW



Projects\701206.00\_CHSRBF\00\_CADD\Sheet Files\UT\AI\1\BP-UT-C4053.dgn  
 OIC:Adodge 11/7/2017 2:45:17 PM

REV	DATE	BY	CHK	APP	DESCRIPTION

DESIGNED BY  
**D. CONYERS**  
 DRAWN BY  
**H. TU**  
 CHECKED BY  
**D. ARUTA**  
 IN CHARGE  
**S. SMITH**  
 DATE  
**10/31/2017**

**RECORD  
 PEPD  
 SUBMITTAL**  
  
**NOT FOR  
 CONSTRUCTION**



**CALIFORNIA HIGH-SPEED RAIL PROJECT  
 BAKERSFIELD TO PALMDALE**  
  
 ALTERNATIVE 1,2,3,5  
 COMPOSITE UTILITY PLAN  
 STA 18585+00 TO 18610+00

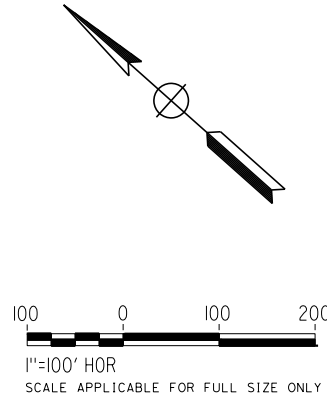
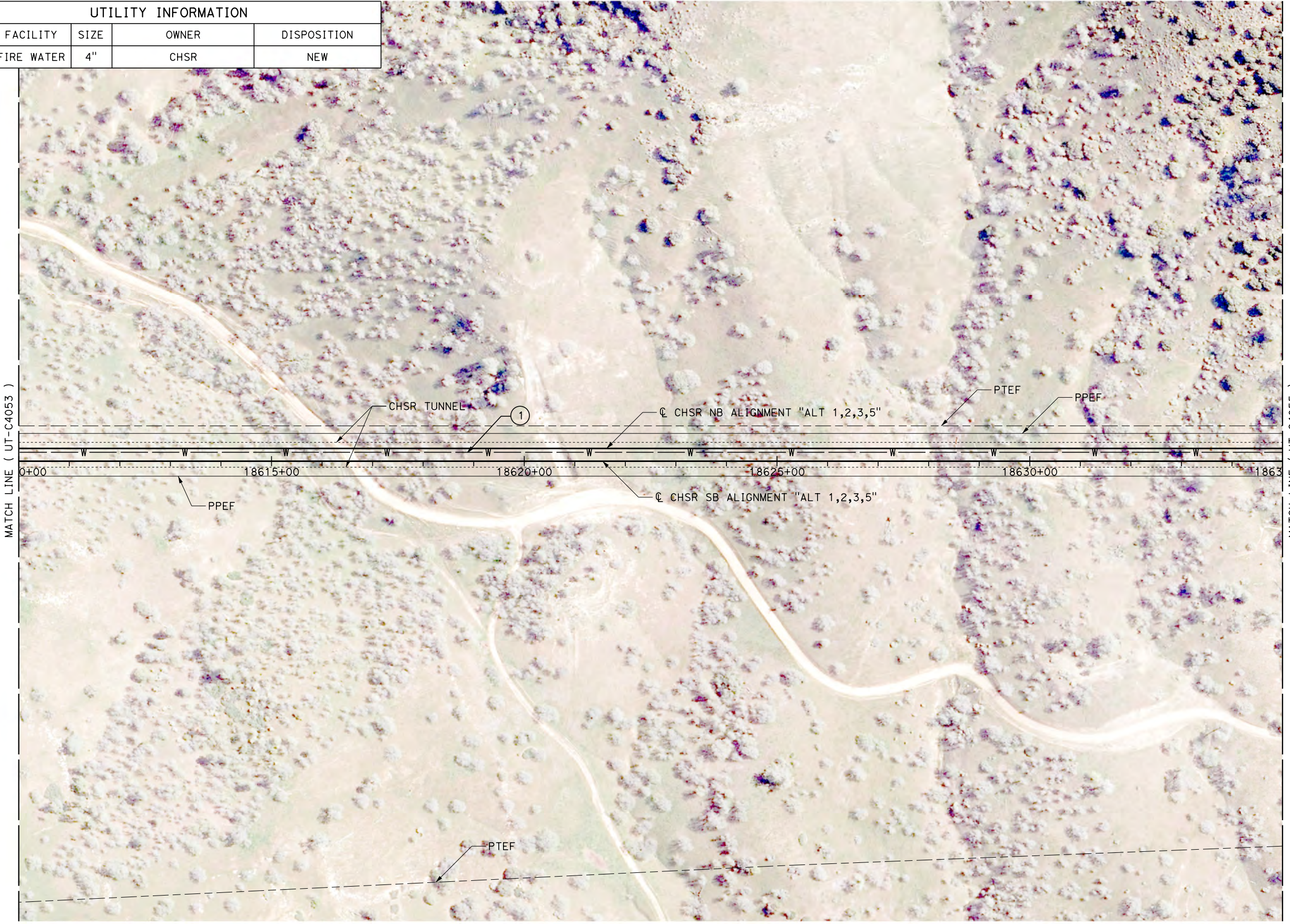
CONTRACT NO.  
**HSR13-44**  
 DRAWING NO.  
**UT-C4053**  
 SCALE  
**AS SHOWN**  
 SHEET NO.



Projects\701206.00\_CHSRBP\00\_CADD\Sheet Files\UT\AI\1\BP-UT-C4054.dgn

OIC:Adodge 11/7/2017 2:46:10 PM

UTILITY INFORMATION				
#	FACILITY	SIZE	OWNER	DISPOSITION
1	FIRE WATER	4"	CHSR	NEW



REV	DATE	BY	CHK	APP	DESCRIPTION

DESIGNED BY  
**D. CONYERS**  
DRAWN BY  
**H. TU**  
CHECKED BY  
**D. ARUTA**  
IN CHARGE  
**S. SMITH**  
DATE  
**10/31/2017**

**RECORD  
PEPD  
SUBMITTAL**

**NOT FOR  
CONSTRUCTION**



**CALIFORNIA HIGH-SPEED RAIL PROJECT  
BAKERSFIELD TO PALMDALE**

ALTERNATIVE 1,2,3,5  
COMPOSITE UTILITY PLAN  
STA 18610+00 TO 18635+00

CONTRACT NO.  
**HSR13-44**

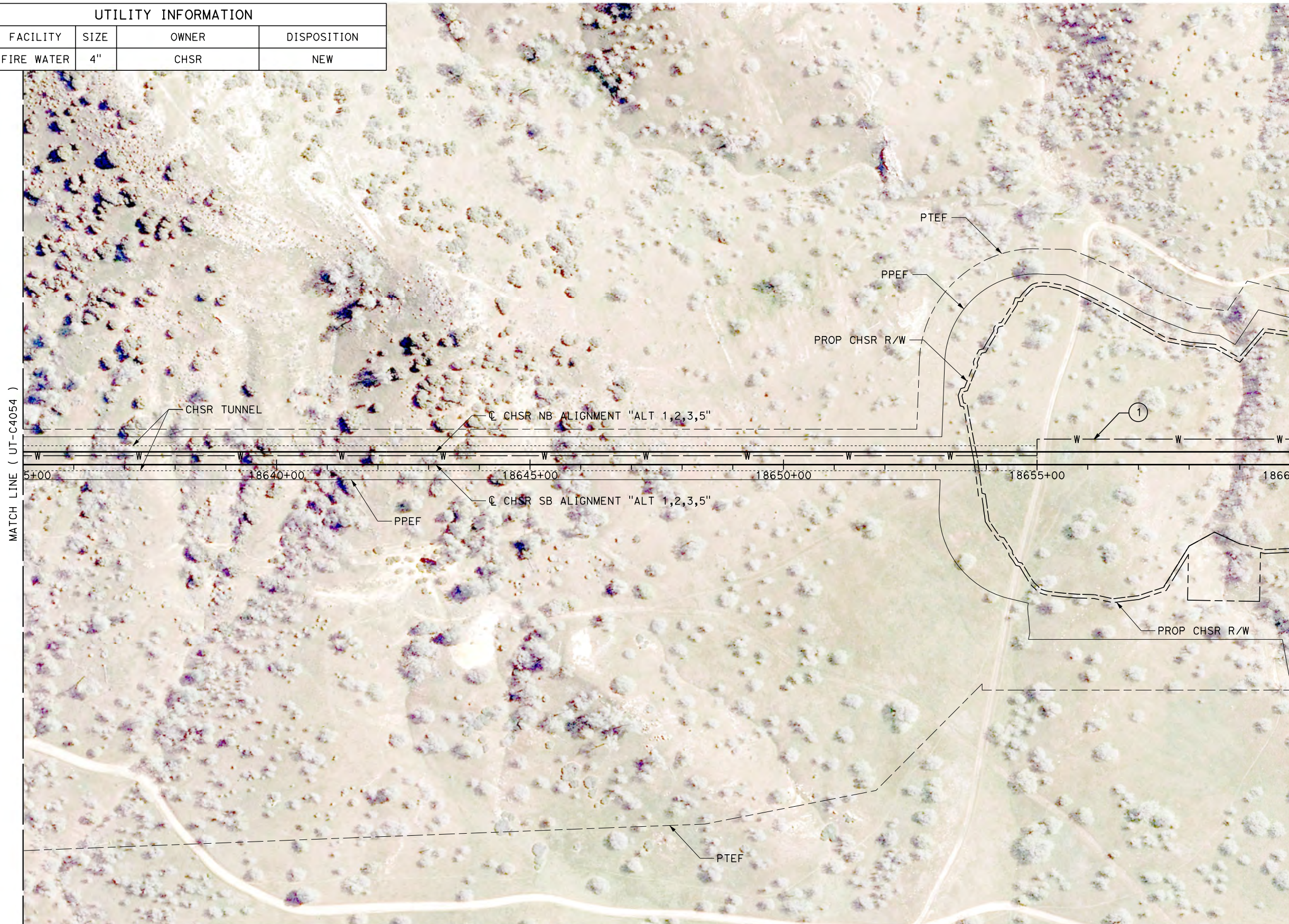
DRAWING NO.  
**UT-C4054**

SCALE  
**AS SHOWN**

SHEET NO.



UTILITY INFORMATION				
#	FACILITY	SIZE	OWNER	DISPOSITION
1	FIRE WATER	4"	CHSR	NEW



Projects\701206.00\_CHSRBP\00\_CADD\Sheet Files\UT\A1\1\_NBP-UT-C4055.dgn

OIC:Adodge 11/7/2017 2:47:44 PM

REV	DATE	BY	CHK	APP	DESCRIPTION

DESIGNED BY  
**D. CONYERS**  
DRAWN BY  
**H. TU**  
CHECKED BY  
**D. ARUTA**  
IN CHARGE  
**S. SMITH**  
DATE  
**10/31/2017**

**RECORD  
PEPD  
SUBMITTAL**

**NOT FOR  
CONSTRUCTION**



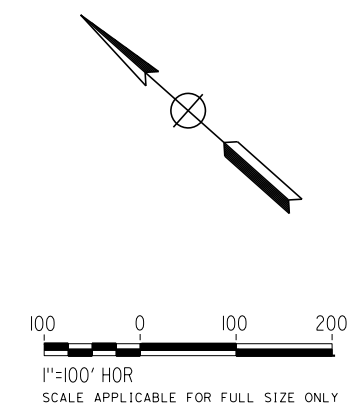
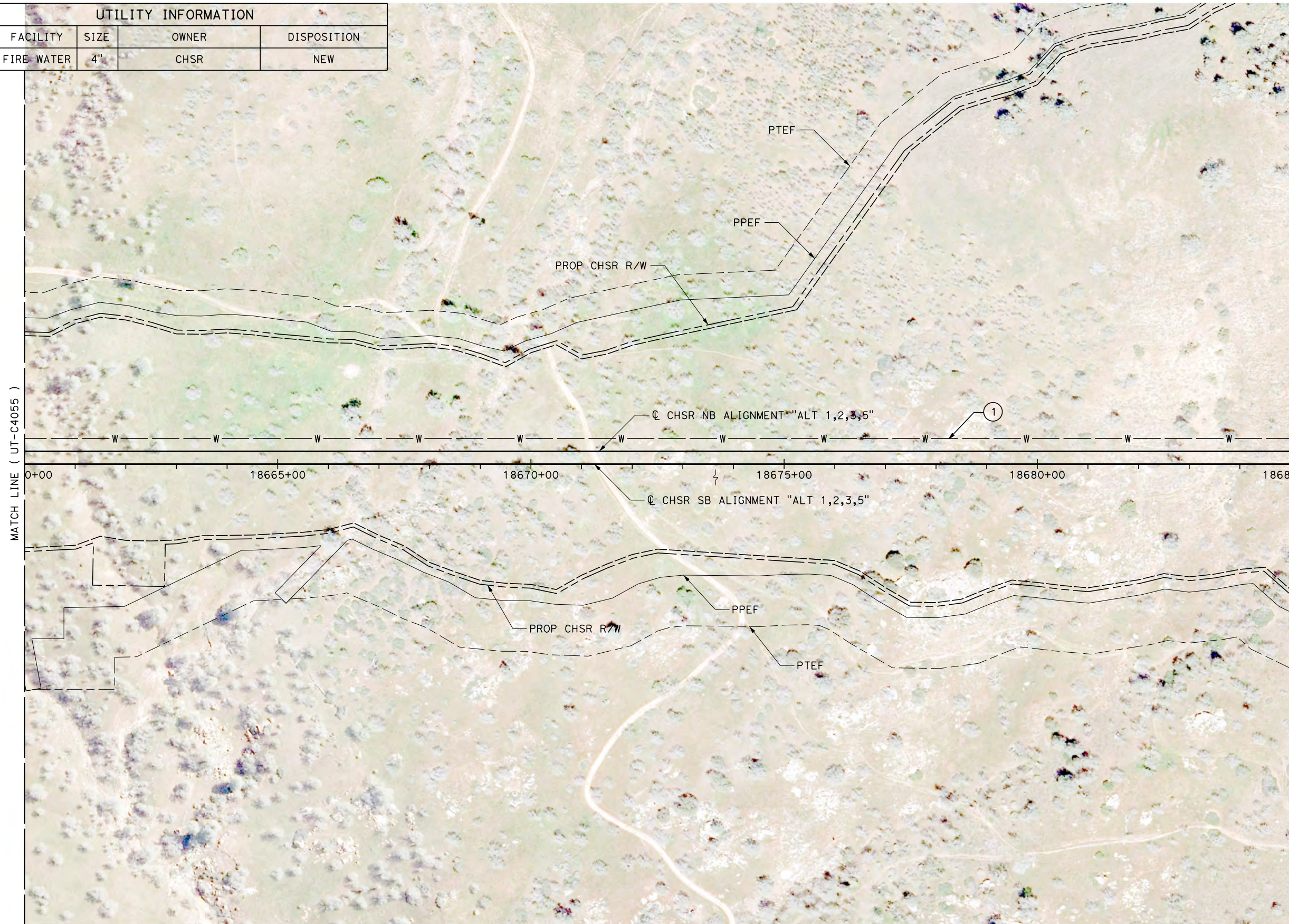
**CALIFORNIA HIGH-SPEED RAIL PROJECT  
BAKERSFIELD TO PALMDALE**

ALTERNATIVE 1,2,3,5  
COMPOSITE UTILITY PLAN  
STA 18635+00 TO 18660+00

CONTRACT NO.  
**HSR13-44**  
DRAWING NO.  
**UT-C4055**  
SCALE  
**AS SHOWN**  
SHEET NO.



UTILITY INFORMATION				
#	FACILITY	SIZE	OWNER	DISPOSITION
1	FIRE WATER	4"	CHSR	NEW



Projects\701206.00\_CHSRBP\00\_CADD\Sheet Files\UT\AI\1\BP-UT-C4056.dgn  
 11/7/2017 2:46:29 PM  
 OIC:Adodge

REV	DATE	BY	CHK	APP	DESCRIPTION

DESIGNED BY  
**D. CONYERS**  
 DRAWN BY  
**H. TU**  
 CHECKED BY  
**D. ARUTA**  
 IN CHARGE  
**S. SMITH**  
 DATE  
**10/31/2017**

**RECORD  
 PEPD  
 SUBMITTAL**  
  
**NOT FOR  
 CONSTRUCTION**

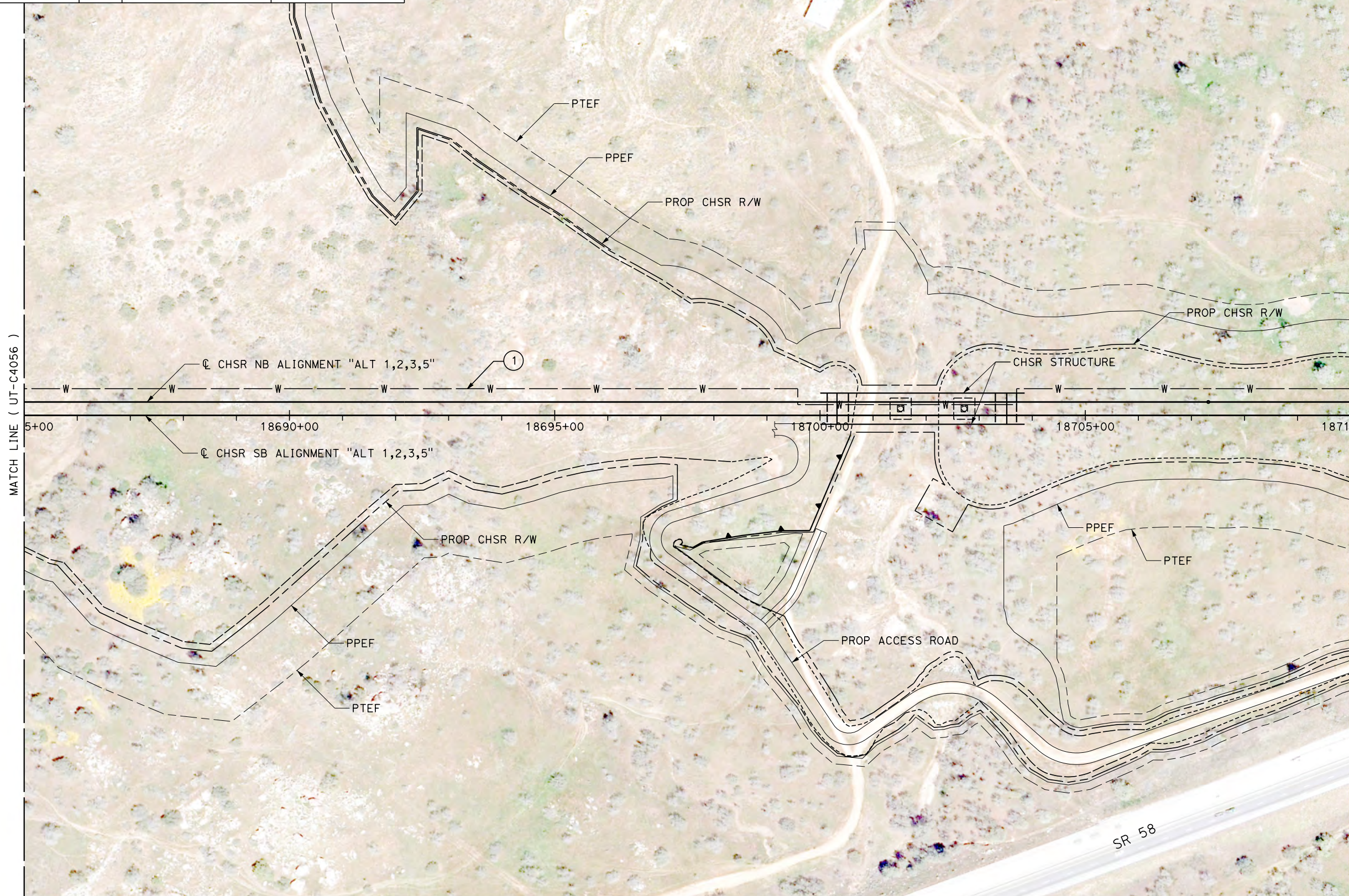


**CALIFORNIA HIGH-SPEED RAIL PROJECT  
 BAKERSFIELD TO PALMDALE**  
  
 ALTERNATIVE 1,2,3,5  
 COMPOSITE UTILITY PLAN  
 STA 18660+00 TO 18685+00

CONTRACT NO.  
**HSR13-44**  
 DRAWING NO.  
**UT-C4056**  
 SCALE  
**AS SHOWN**  
 SHEET NO.

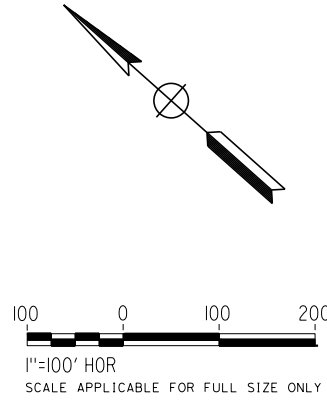


UTILITY INFORMATION				
#	FACILITY	SIZE	OWNER	DISPOSITION
1	FIRE WATER	4"	CHSR	NEW



MATCH LINE ( UT-C4056 )

MATCH LINE ( UT-C4058 )



Projects\701206.00\_CHSRBP\00\_CADD\Sheet Files\UT\AI\1\BP-UT-C4057.dgn

OIC:Adodge 11/7/2017 2:46:02 PM

REV	DATE	BY	CHK	APP	DESCRIPTION

DESIGNED BY  
**D. CONYERS**

DRAWN BY  
**H. TU**

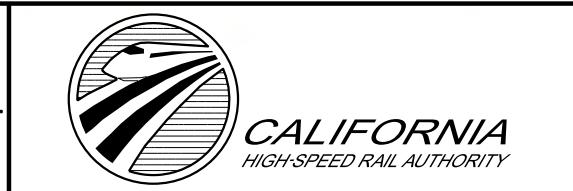
CHECKED BY  
**D. ARUTA**

IN CHARGE  
**S. SMITH**

DATE  
**10/31/2017**

**RECORD  
PEPD  
SUBMITTAL**

**NOT FOR  
CONSTRUCTION**



**CALIFORNIA HIGH-SPEED RAIL PROJECT  
BAKERSFIELD TO PALMDALE**

ALTERNATIVE 1,2,3,5  
COMPOSITE UTILITY PLAN  
STA 18685+00 TO 18710+00

CONTRACT NO.  
**HSR13-44**

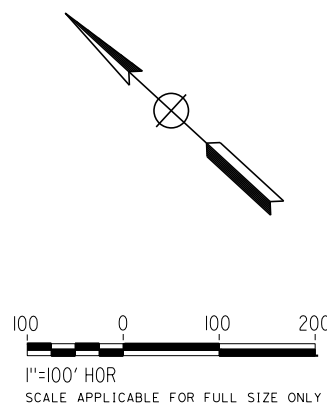
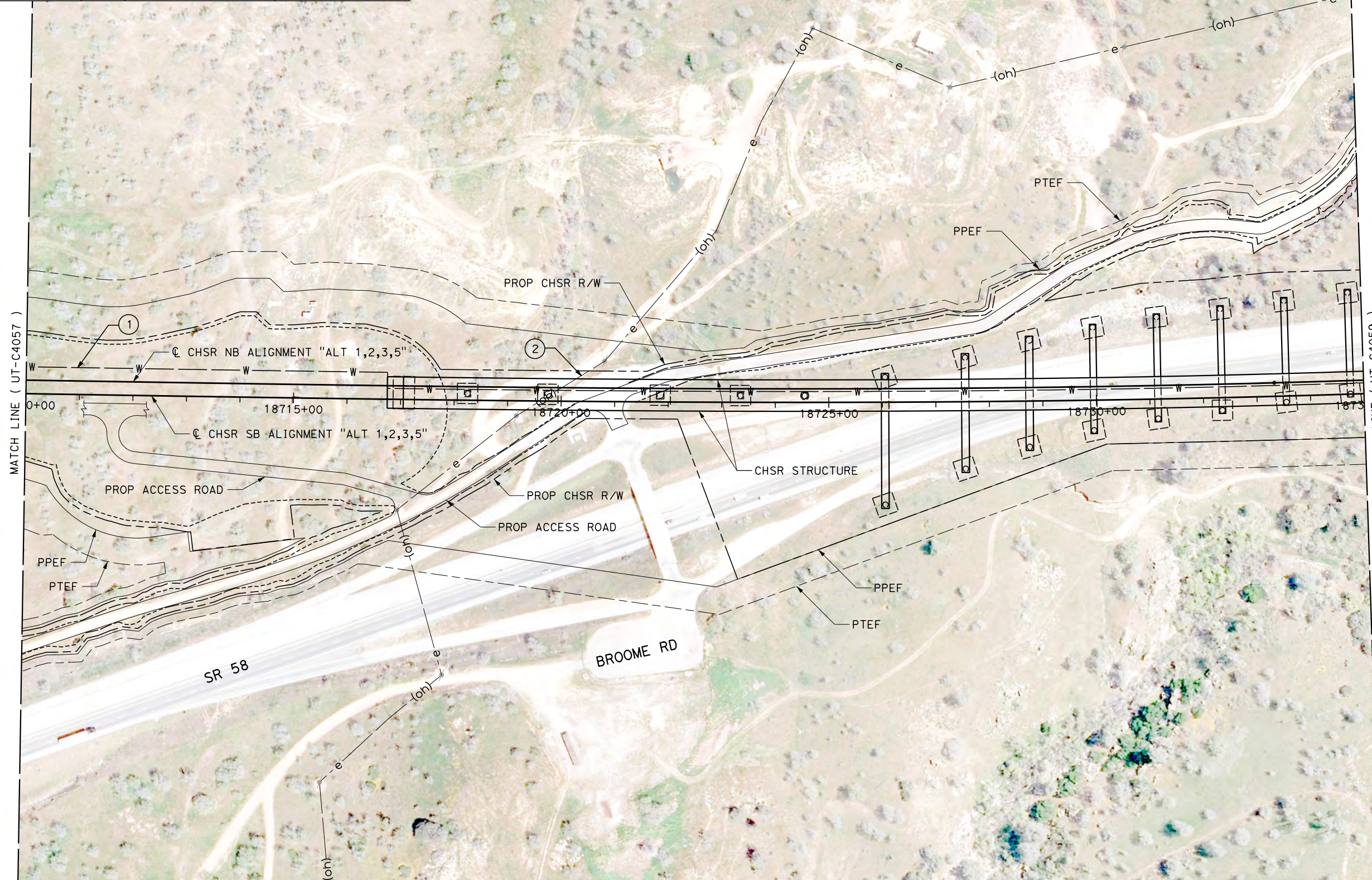
DRAWING NO.  
**UT-C4057**

SCALE  
**AS SHOWN**

SHEET NO.



UTILITY INFORMATION				
#	FACILITY	SIZE	OWNER	DISPOSITION
1	FIRE WATER	4"	CHSR	NEW
2	OH POWER	12kV	SCE DIST	RELOCATE



Projects\701206.00\_CHSRBP\00\_CADD\Sheet Files\UT\A\1\BP-UT-C4058.dgn 11/7/2017 2:47:34 PM OIC:Adodge

REV	DATE	BY	CHK	APP	DESCRIPTION

DESIGNED BY  
**D. CONYERS**  
DRAWN BY  
**H. TU**  
CHECKED BY  
**D. ARUTA**  
IN CHARGE  
**S. SMITH**  
DATE  
**10/31/2017**

**RECORD  
PEPD  
SUBMITTAL**

**NOT FOR  
CONSTRUCTION**



**CALIFORNIA HIGH-SPEED RAIL PROJECT  
BAKERSFIELD TO PALMDALE**

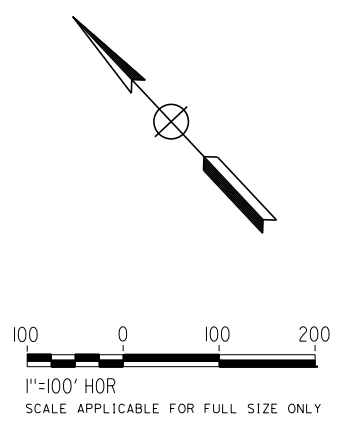
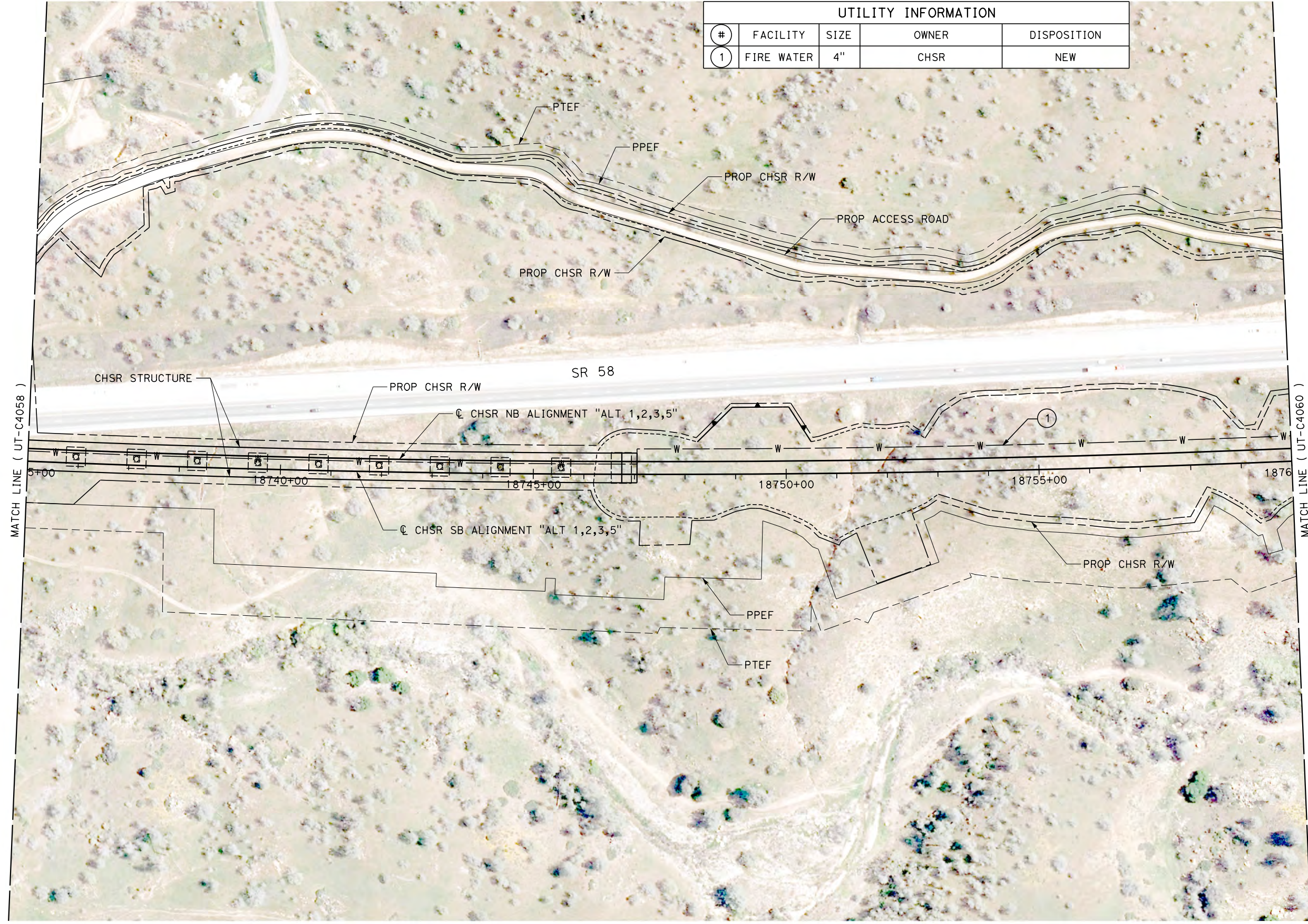
ALTERNATIVE 1,2,3,5  
COMPOSITE UTILITY PLAN  
STA 18710+00 TO 18735+00

CONTRACT NO.  
**HSR13-44**  
DRAWING NO.  
**UT-C4058**  
SCALE  
**AS SHOWN**  
SHEET NO.



Projects\701206.00\_CHSRBP\00\_CADD\Sheet Files\UT\AI\1\BP-UT-C4059.dgn 11/7/2017 2:46:02 PM OIC:Adodge

UTILITY INFORMATION				
#	FACILITY	SIZE	OWNER	DISPOSITION
1	FIRE WATER	4"	CHSR	NEW



REV	DATE	BY	CHK	APP	DESCRIPTION

DESIGNED BY  
**D. CONYERS**

DRAWN BY  
**H. TU**

CHECKED BY  
**D. ARUTA**

IN CHARGE  
**S. SMITH**

DATE  
**10/31/2017**

**RECORD  
PEPD  
SUBMITTAL**

**NOT FOR  
CONSTRUCTION**



**CALIFORNIA HIGH-SPEED RAIL PROJECT  
BAKERSFIELD TO PALMDALE**

ALTERNATIVE 1,2,3,5  
COMPOSITE UTILITY PLAN  
STA 18735+00 TO 18760+00

CONTRACT NO.  
**HSR13-44**

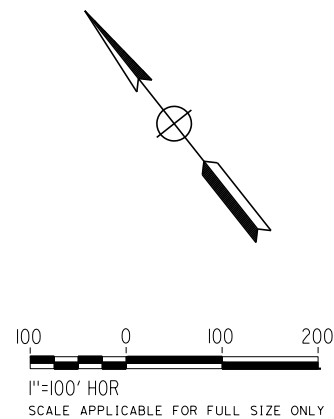
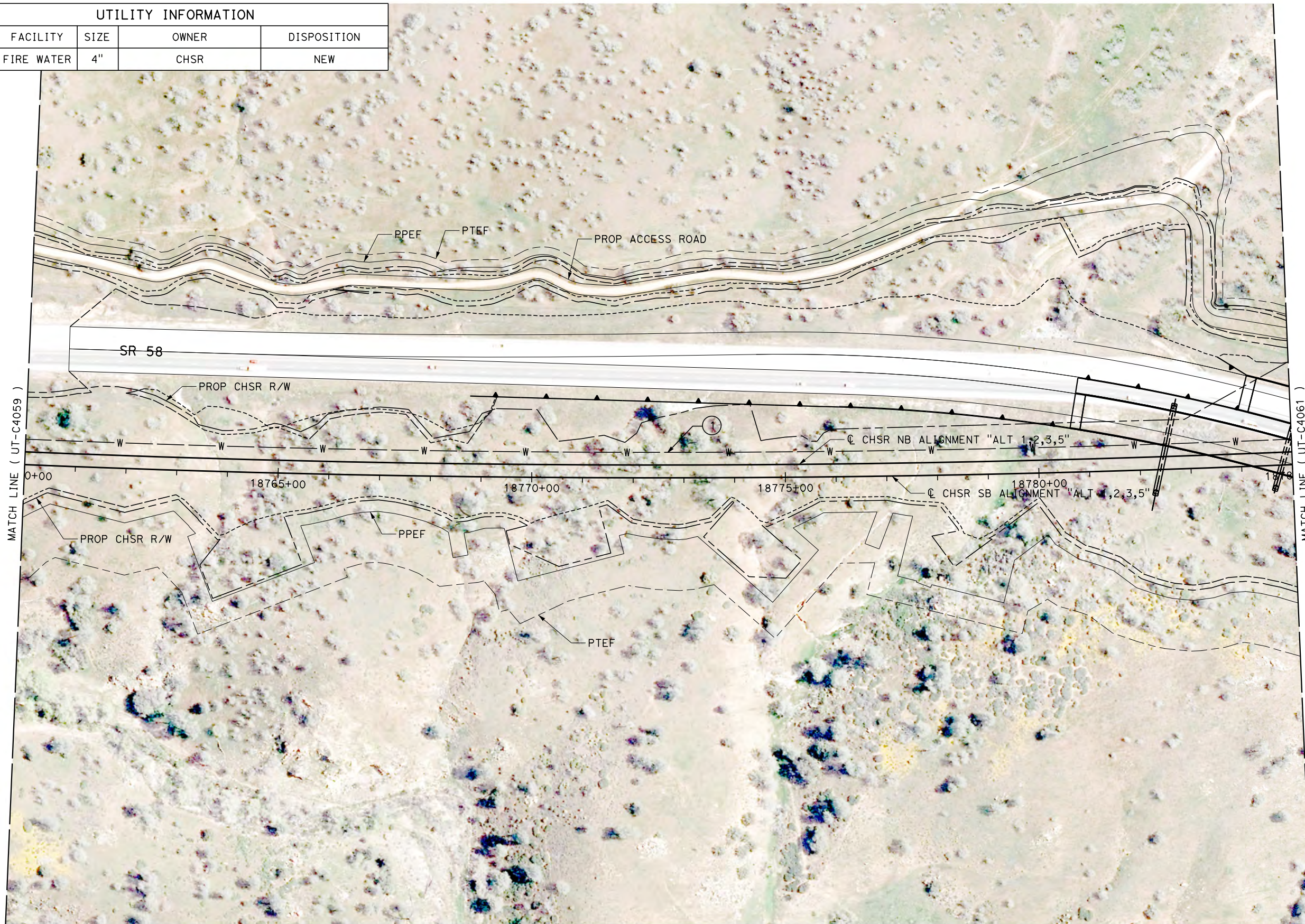
DRAWING NO.  
**UT-C4059**

SCALE  
**AS SHOWN**

SHEET NO.



UTILITY INFORMATION				
#	FACILITY	SIZE	OWNER	DISPOSITION
1	FIRE WATER	4"	CHSR	NEW



Projects\701206.00\_CHSRBP\00\_CADD\Sheet Files\UT\AI\1\BP-UT-C4060.dgn

OIC:Adodge 11/7/2017 2:52:33 PM

REV	DATE	BY	CHK	APP	DESCRIPTION

DESIGNED BY  
**D. CONYERS**

DRAWN BY  
**H. TU**

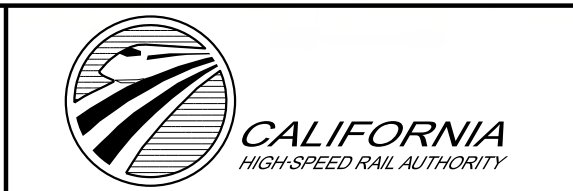
CHECKED BY  
**D. ARUTA**

IN CHARGE  
**S. SMITH**

DATE  
**10/31/2017**

**RECORD  
PEPD  
SUBMITTAL**

**NOT FOR  
CONSTRUCTION**



**CALIFORNIA HIGH-SPEED RAIL PROJECT  
BAKERSFIELD TO PALMDALE**

ALTERNATIVE 1,2,3,5  
COMPOSITE UTILITY PLAN  
STA 18760+00 TO 18785+00

CONTRACT NO.  
HSR13-44

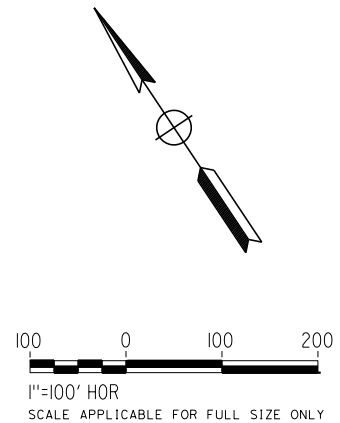
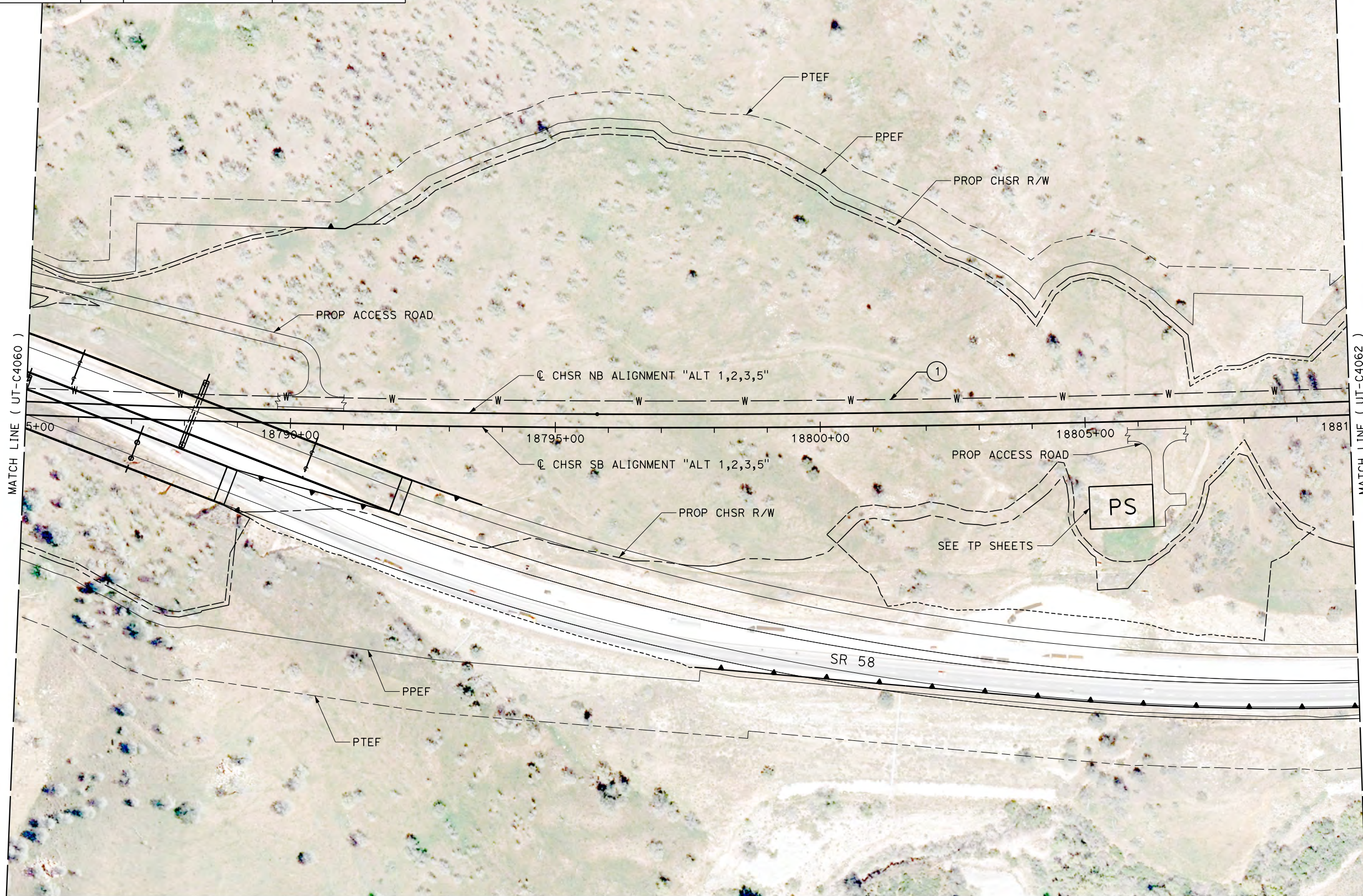
DRAWING NO.  
UT-C4060

SCALE  
AS SHOWN

SHEET NO.



UTILITY INFORMATION				
#	FACILITY	SIZE	OWNER	DISPOSITION
1	FIRE WATER	4"	CHSR	NEW



Projects\701206.00\_CHSRBP\00\_CADD\Sheet Files\UT\AI\1\_NBP-UT-C4061.dgn  
11/7/2017 2:52:44 PM  
OIC:Adodge

REV	DATE	BY	CHK	APP	DESCRIPTION

DESIGNED BY  
**D. CONYERS**  
DRAWN BY  
**H. TU**  
CHECKED BY  
**D. ARUTA**  
IN CHARGE  
**S. SMITH**  
DATE  
**10/31/2017**

**RECORD  
PEPD  
SUBMITTAL**

**NOT FOR  
CONSTRUCTION**



**CALIFORNIA HIGH-SPEED RAIL PROJECT  
BAKERSFIELD TO PALMDALE**

ALTERNATIVE 1,2,3,5  
COMPOSITE UTILITY PLAN  
STA 18785+00 TO 18810+00

CONTRACT NO.  
**HSR13-44**

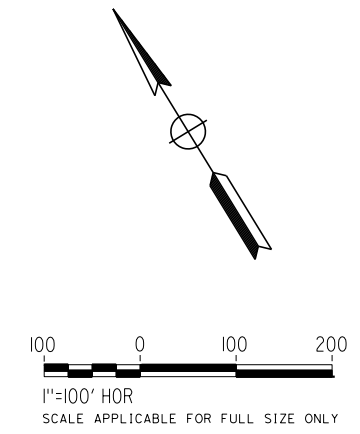
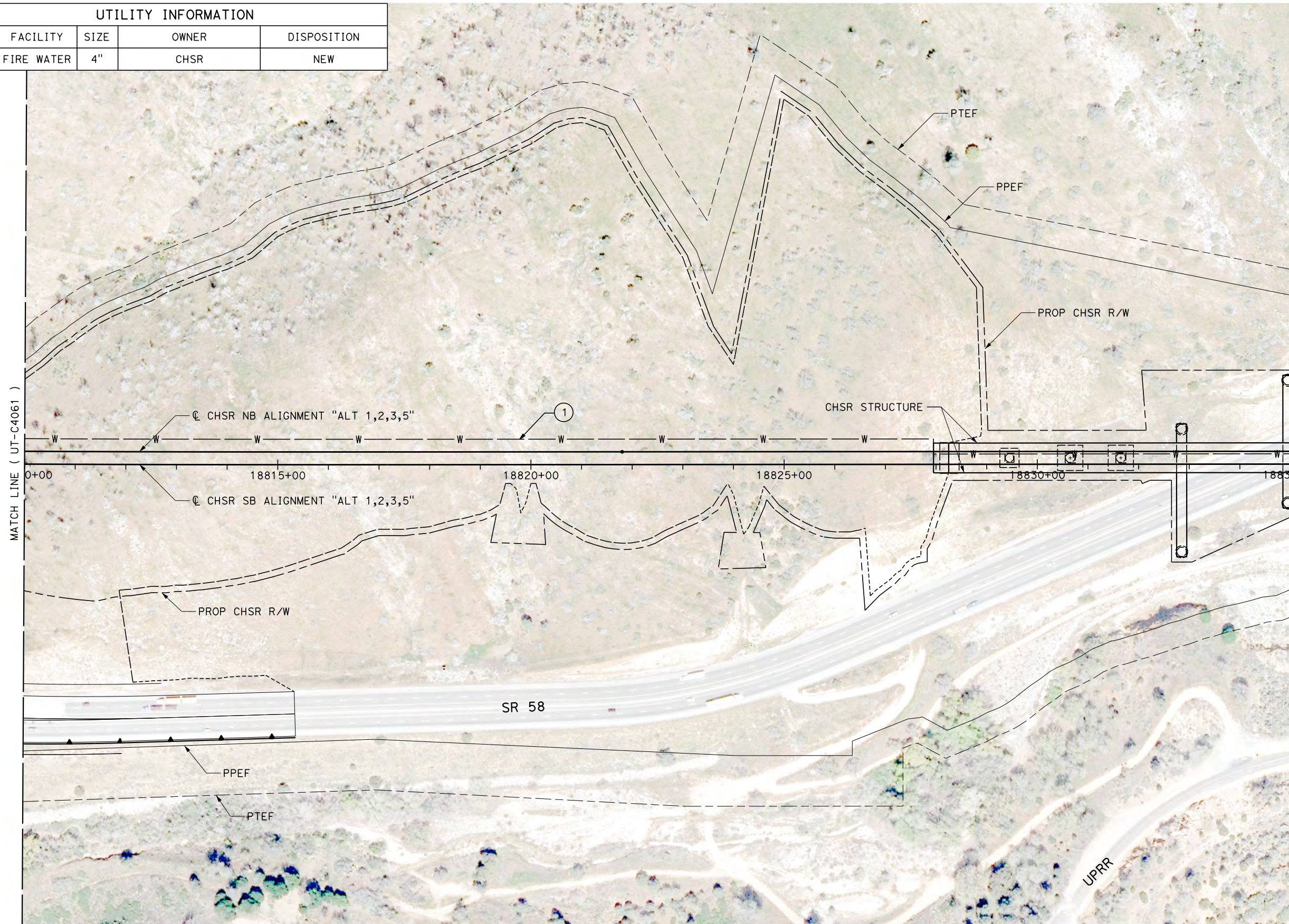
DRAWING NO.  
**UT-C4061**

SCALE  
**AS SHOWN**

SHEET NO.



UTILITY INFORMATION				
#	FACILITY	SIZE	OWNER	DISPOSITION
1	FIRE WATER	4"	CHSR	NEW



Projects\701206.00\_CHSRBP\00\_CADD\Sheet\_Files\UT\AI\1\BP-UT-C4062.dgn  
11/7/2017 2:52:150 PM  
OIC:Adodge

REV	DATE	BY	CHK	APP	DESCRIPTION

DESIGNED BY  
**D. CONYERS**  
DRAWN BY  
**H. TU**  
CHECKED BY  
**D. ARUTA**  
IN CHARGE  
**S. SMITH**  
DATE  
**10/31/2017**

**RECORD  
PEPD  
SUBMITTAL**

**NOT FOR  
CONSTRUCTION**



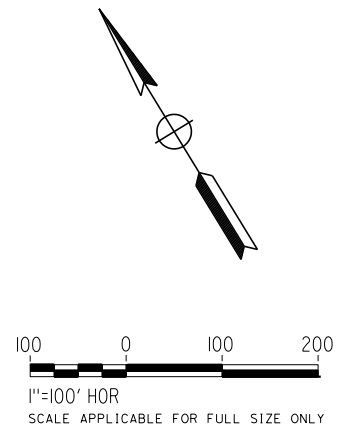
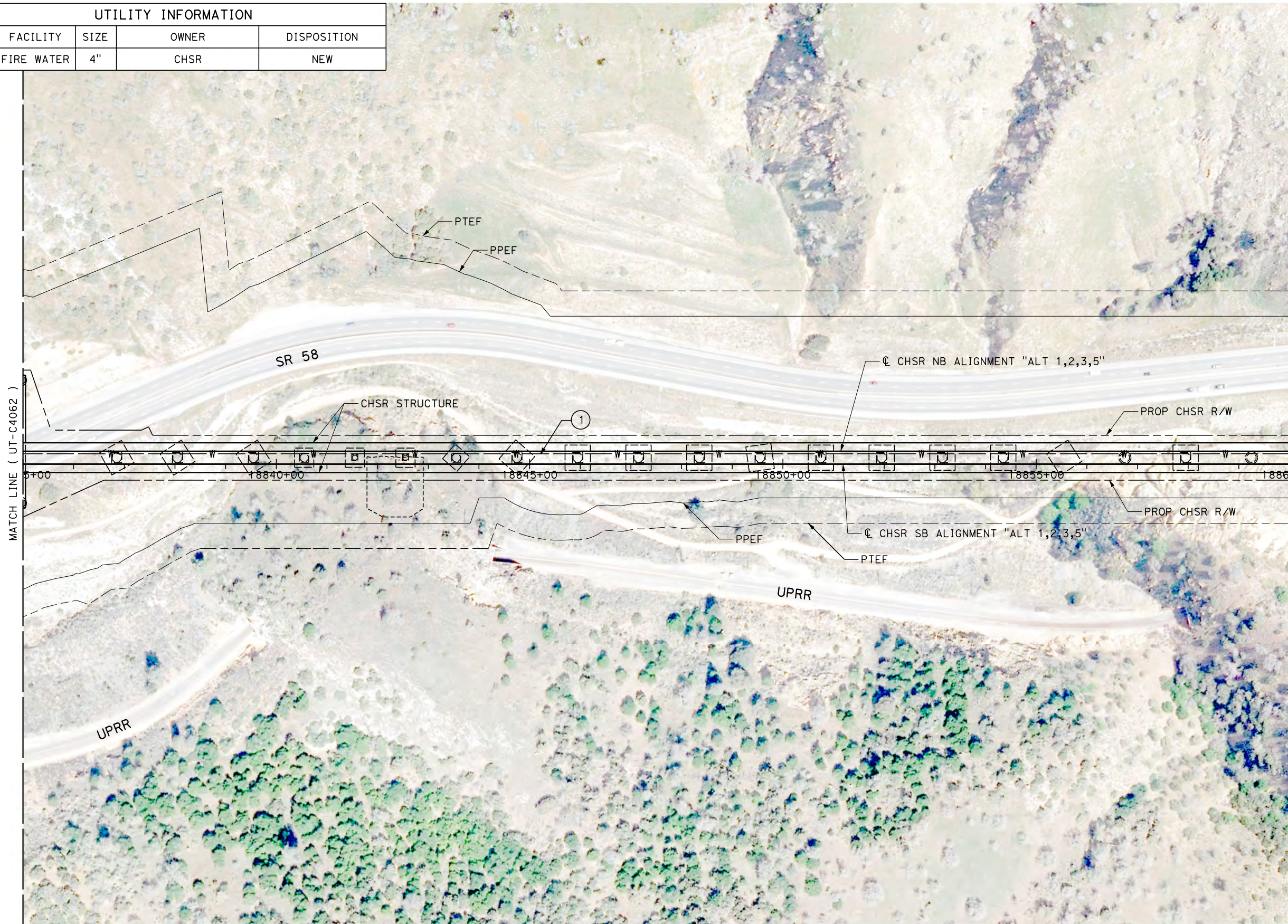
**CALIFORNIA HIGH-SPEED RAIL PROJECT  
BAKERSFIELD TO PALMDALE**

ALTERNATIVE 1,2,3,5  
COMPOSITE UTILITY PLAN  
STA 18810+00 TO 18835+00

CONTRACT NO.  
**HSR13-44**  
DRAWING NO.  
**UT-C4062**  
SCALE  
**AS SHOWN**  
SHEET NO.



UTILITY INFORMATION				
#	FACILITY	SIZE	OWNER	DISPOSITION
1	FIRE WATER	4"	CHSR	NEW



Projects\701206.00\_CHSRBP\00\_CADD\Sheet Files\UT\AI\1\_NBP-UT-C4063.dgn

OIC:Adodge 11/7/2017 2:52:150 PM

REV	DATE	BY	CHK	APP	DESCRIPTION

DESIGNED BY  
**D. CONYERS**  
DRAWN BY  
**H. TU**  
CHECKED BY  
**D. ARUTA**  
IN CHARGE  
**S. SMITH**  
DATE  
**10/31/2017**

**RECORD  
PEPD  
SUBMITTAL**

**NOT FOR  
CONSTRUCTION**



**CALIFORNIA HIGH-SPEED RAIL PROJECT  
BAKERSFIELD TO PALMDALE**

ALTERNATIVE 1,2,3,5  
COMPOSITE UTILITY PLAN  
STA 18835+00 TO 18860+00

CONTRACT NO.  
**HSR13-44**

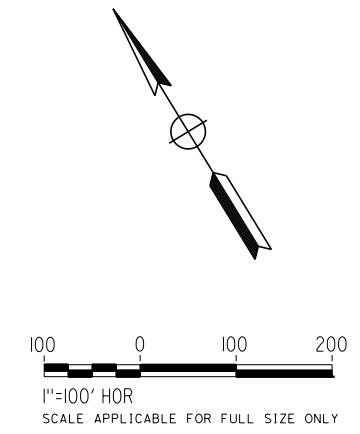
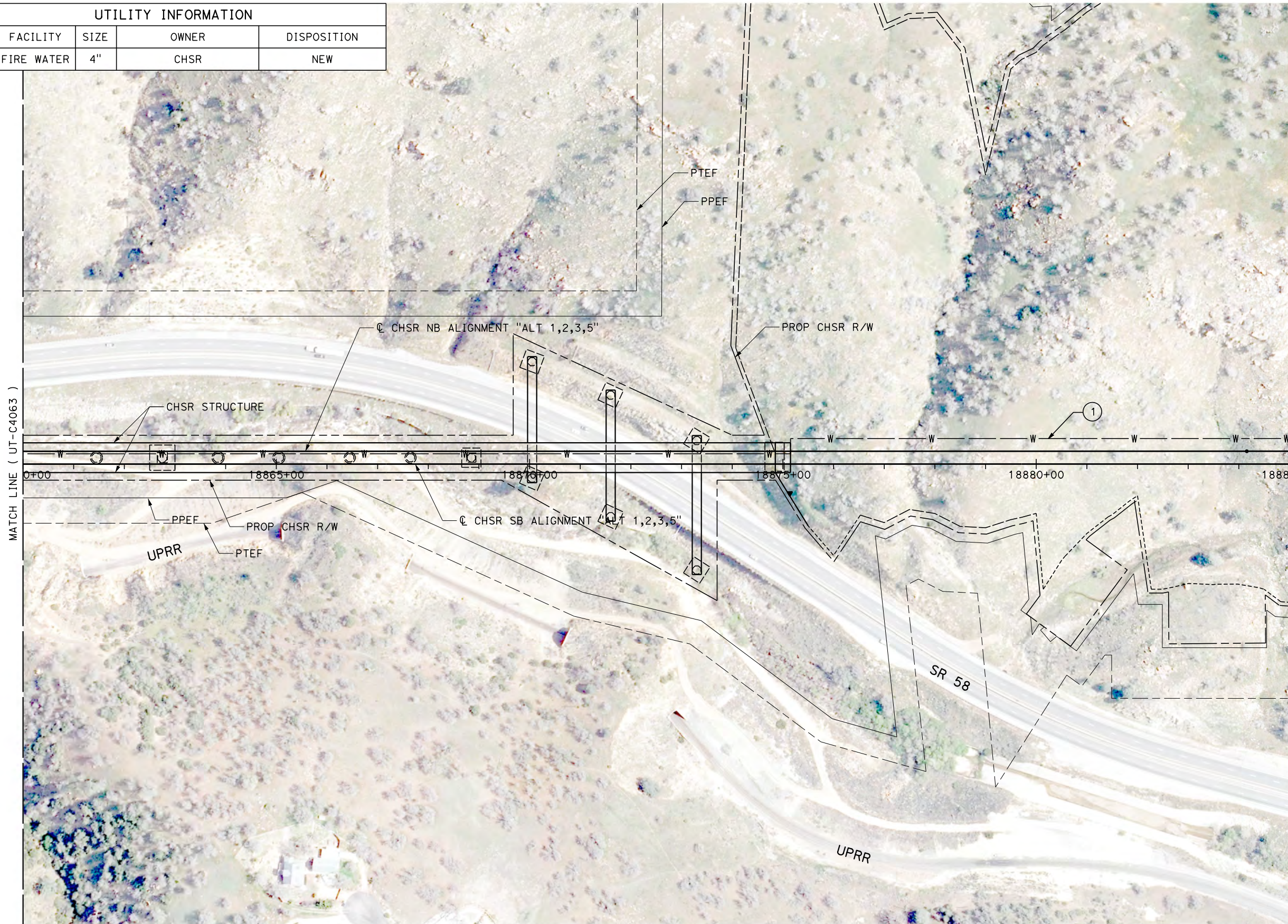
DRAWING NO.  
**UT-C4063**

SCALE  
**AS SHOWN**

SHEET NO.



UTILITY INFORMATION				
#	FACILITY	SIZE	OWNER	DISPOSITION
1	FIRE WATER	4"	CHSR	NEW



Projects\701206.00\_CHSRBP\00\_CADD\Sheet\_Files\UT\AI\1\BP-UT-C4064.dgn

OIC:Adodge 11/7/2017 2:52:03 PM

REV	DATE	BY	CHK	APP	DESCRIPTION

DESIGNED BY  
**D. CONYERS**

DRAWN BY  
**H. TU**

CHECKED BY  
**D. ARUTA**

IN CHARGE  
**S. SMITH**

DATE  
**10/31/2017**

**RECORD  
PEPD  
SUBMITTAL**

**NOT FOR  
CONSTRUCTION**



**CALIFORNIA HIGH-SPEED RAIL PROJECT  
BAKERSFIELD TO PALMDALE**

ALTERNATIVE 1,2,3,5  
COMPOSITE UTILITY PLAN  
STA 18860+00 TO 18885+00

CONTRACT NO.  
**HSR13-44**

DRAWING NO.  
**UT-C4064**

SCALE  
**AS SHOWN**

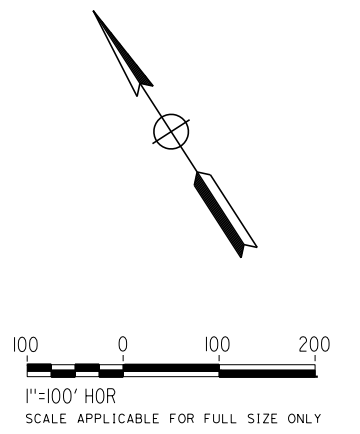
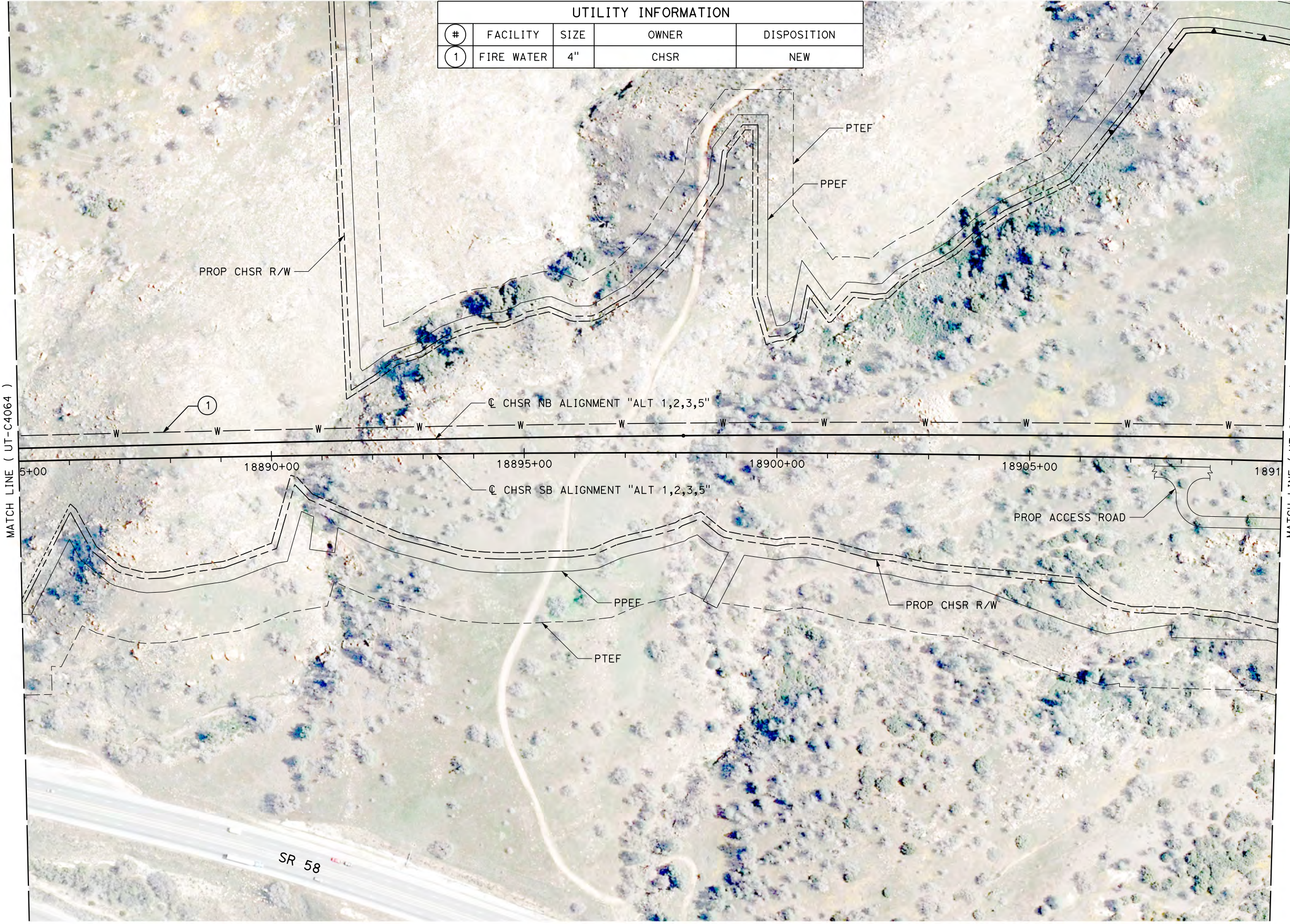
SHEET NO.



Projects\701206.00\_CHSRBP\00\_CADD\Sheet\_Files\UT\AI\1\BP-UT-C4065.dgn

OIC:ADodge 11/7/2017 2:56:00 PM

UTILITY INFORMATION				
#	FACILITY	SIZE	OWNER	DISPOSITION
1	FIRE WATER	4"	CHSR	NEW



REV	DATE	BY	CHK	APP	DESCRIPTION

DESIGNED BY  
**D. CONYERS**  
DRAWN BY  
**H. TU**  
CHECKED BY  
**D. ARUTA**  
IN CHARGE  
**S. SMITH**  
DATE  
**10/31/2017**

**RECORD  
PEPD  
SUBMITTAL**

**NOT FOR  
CONSTRUCTION**



**CALIFORNIA HIGH-SPEED RAIL PROJECT  
BAKERSFIELD TO PALMDALE**

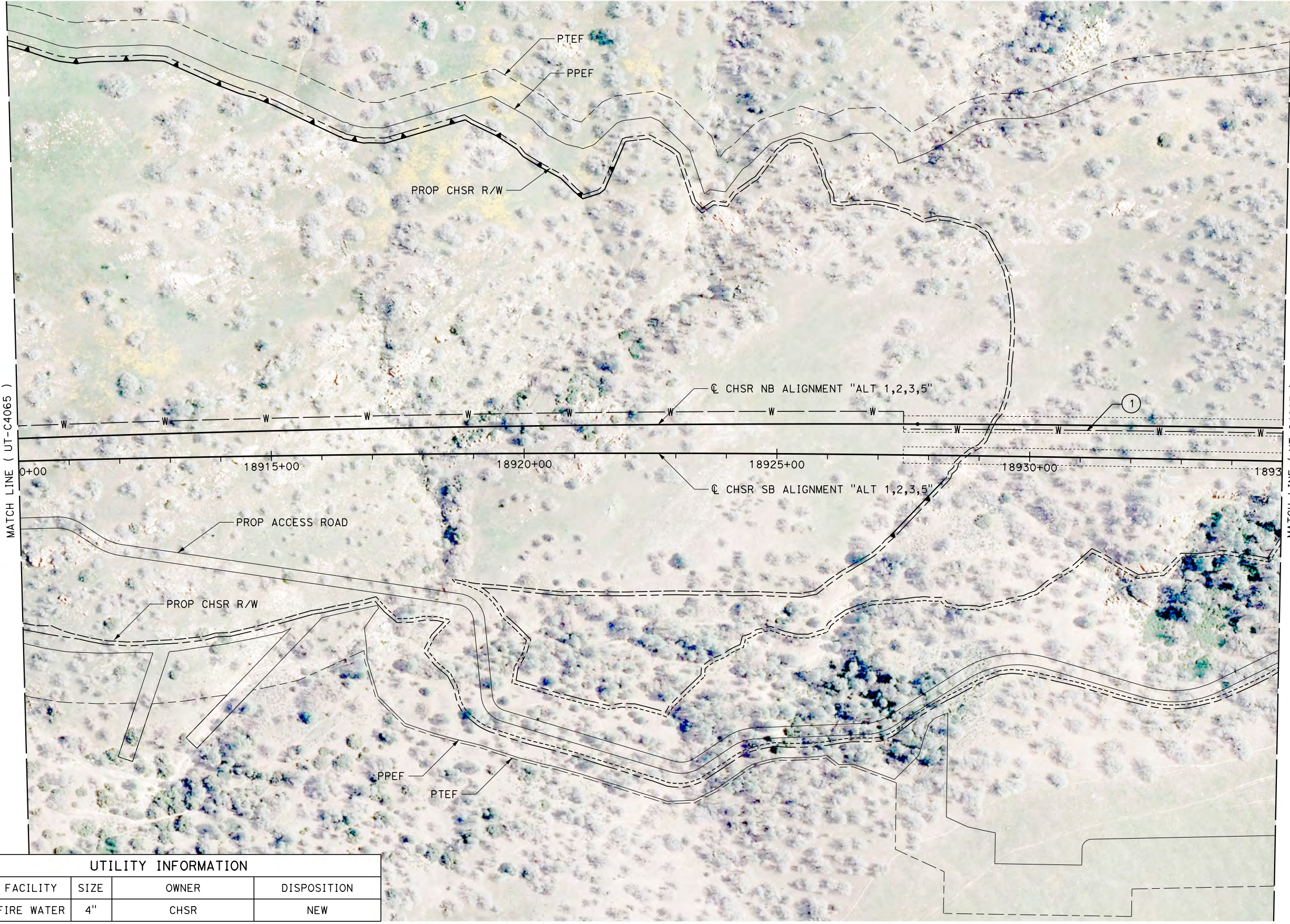
ALTERNATIVE 1,2,3,5  
COMPOSITE UTILITY PLAN  
STA 18885+00 TO 18910+00

CONTRACT NO.  
**HSR13-44**  
DRAWING NO.  
**UT-C4065**  
SCALE  
**AS SHOWN**  
SHEET NO.



Projects\701206.00\_CHSRBP\00\_CADD\Sheet Files\UT\A\1\BP-UT-C4066.dgn

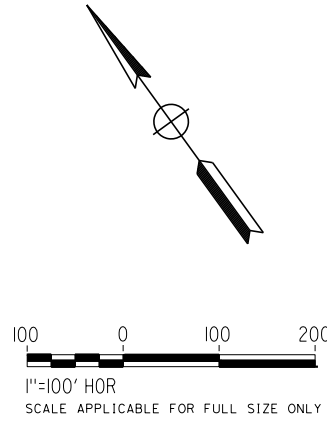
OIC:ADodge 11/7/2017 2:52:02 PM



MATCH LINE ( UT-C4067 )

MATCH LINE ( UT-C4065 )

UTILITY INFORMATION				
#	FACILITY	SIZE	OWNER	DISPOSITION
1	FIRE WATER	4"	CHSR	NEW



REV	DATE	BY	CHK	APP	DESCRIPTION

DESIGNED BY  
**D. CONYERS**  
DRAWN BY  
**H. TU**  
CHECKED BY  
**D. ARUTA**  
IN CHARGE  
**S. SMITH**  
DATE  
**10/31/2017**

**RECORD  
PEPD  
SUBMITTAL**

**NOT FOR  
CONSTRUCTION**



**CALIFORNIA HIGH-SPEED RAIL PROJECT  
BAKERSFIELD TO PALMDALE**

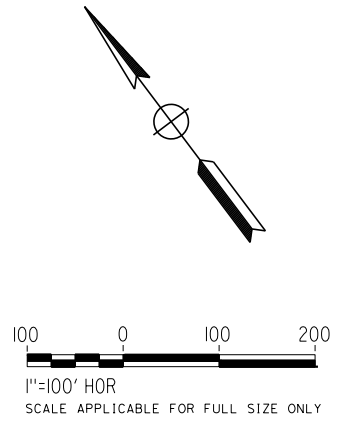
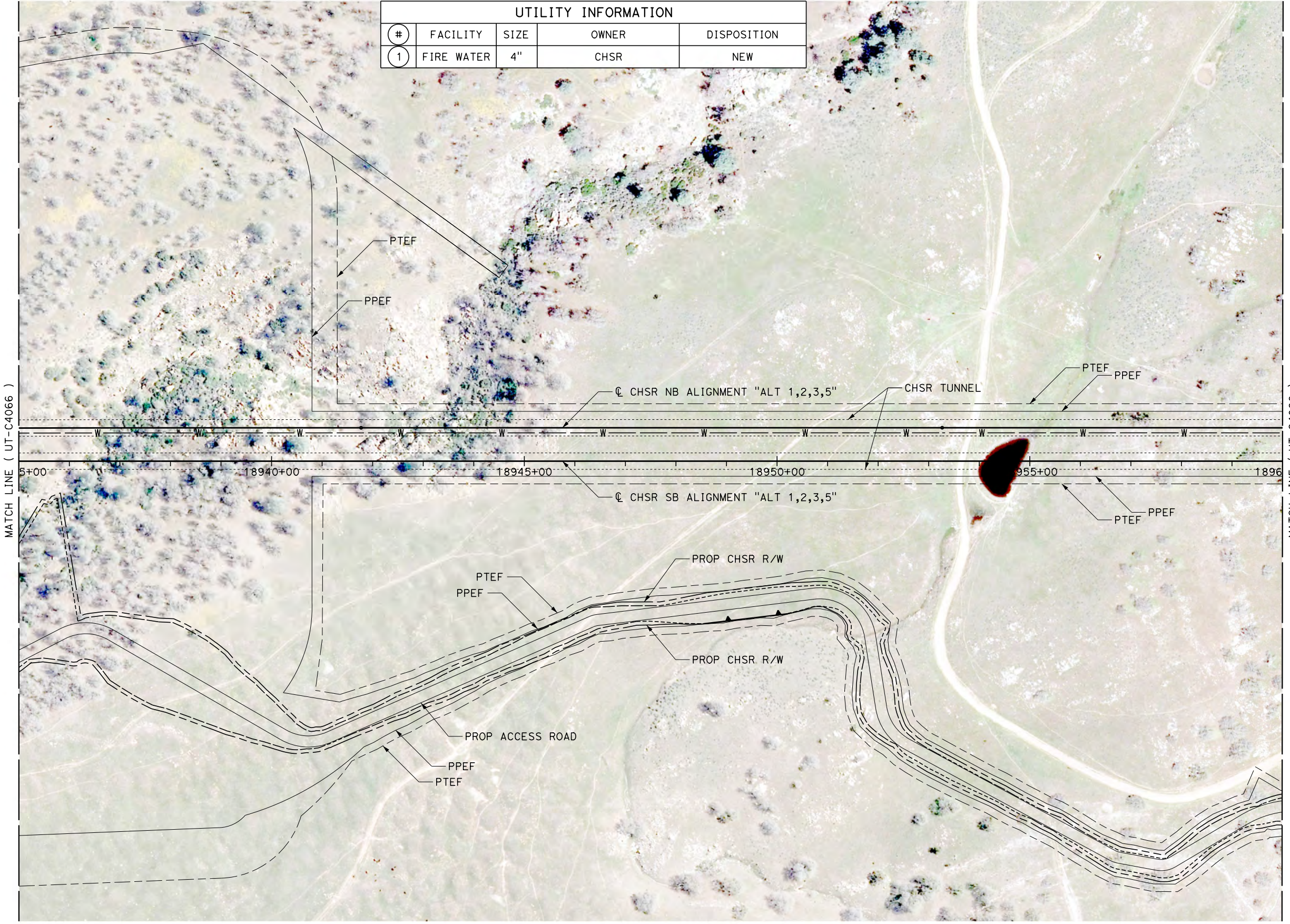
ALTERNATIVE 1,2,3,5  
COMPOSITE UTILITY PLAN  
STA 18910+00 TO 18935+00

CONTRACT NO.  
**HSR13-44**  
DRAWING NO.  
**UT-C4066**  
SCALE  
**AS SHOWN**  
SHEET NO.



Projects\701206.00\_CHSRBP\00\_CADD\Sheet Files\UT\AI\1\_NBP-UT-C4067.dgn  
11/7/2017 2:53:37 PM  
OIC:Adodge

UTILITY INFORMATION				
#	FACILITY	SIZE	OWNER	DISPOSITION
1	FIRE WATER	4"	CHSR	NEW



REV	DATE	BY	CHK	APP	DESCRIPTION

DESIGNED BY  
**D. CONYERS**  
DRAWN BY  
**H. TU**  
CHECKED BY  
**D. ARUTA**  
IN CHARGE  
**S. SMITH**  
DATE  
**10/31/2017**

**RECORD  
PEPD  
SUBMITTAL**

**NOT FOR  
CONSTRUCTION**



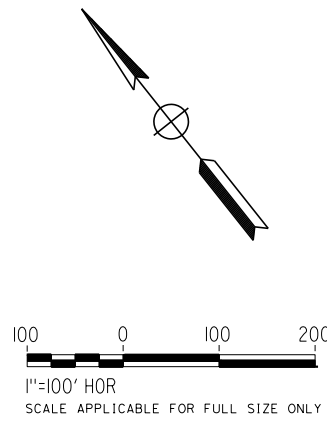
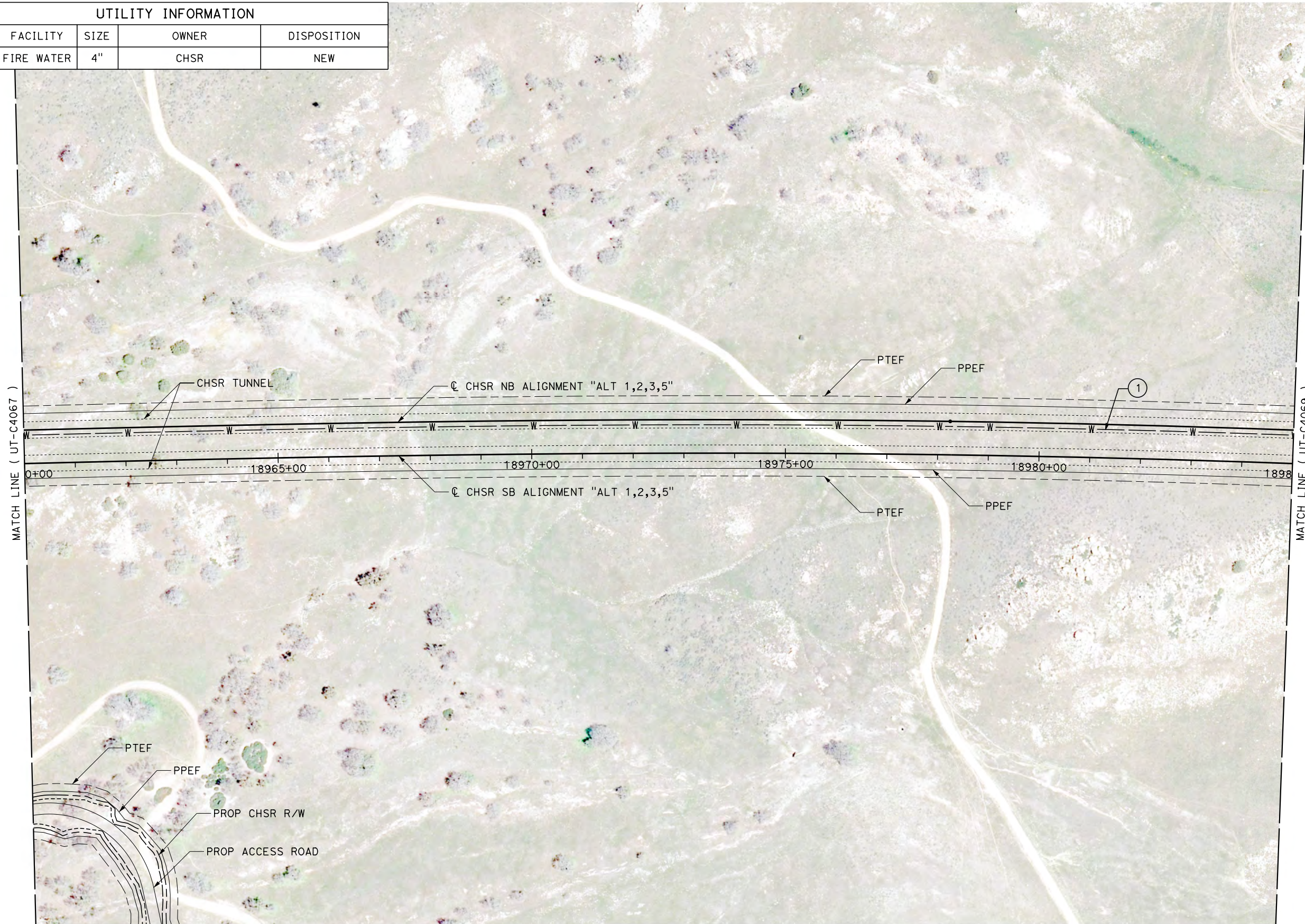
**CALIFORNIA HIGH-SPEED RAIL PROJECT  
BAKERSFIELD TO PALMDALE**

ALTERNATIVE 1,2,3,5  
COMPOSITE UTILITY PLAN  
STA 18935+00 TO 18960+00

CONTRACT NO.  
**HSR13-44**  
DRAWING NO.  
**UT-C4067**  
SCALE  
**AS SHOWN**  
SHEET NO.



UTILITY INFORMATION				
#	FACILITY	SIZE	OWNER	DISPOSITION
1	FIRE WATER	4"	CHSR	NEW



Projects\701206.00\_CHSRBP\00\_CADD\Sheet Files\UT\A1\1\_NBP-UT-C4068.dgn  
 OIC:Adodge 11/7/2017 2:54:34 PM

REV	DATE	BY	CHK	APP	DESCRIPTION

DESIGNED BY  
**D. CONYERS**  
 DRAWN BY  
**H. TU**  
 CHECKED BY  
**D. ARUTA**  
 IN CHARGE  
**S. SMITH**  
 DATE  
**10/31/2017**

**RECORD  
 PEPD  
 SUBMITTAL**  
  
**NOT FOR  
 CONSTRUCTION**

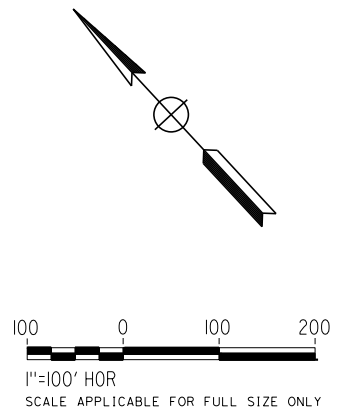
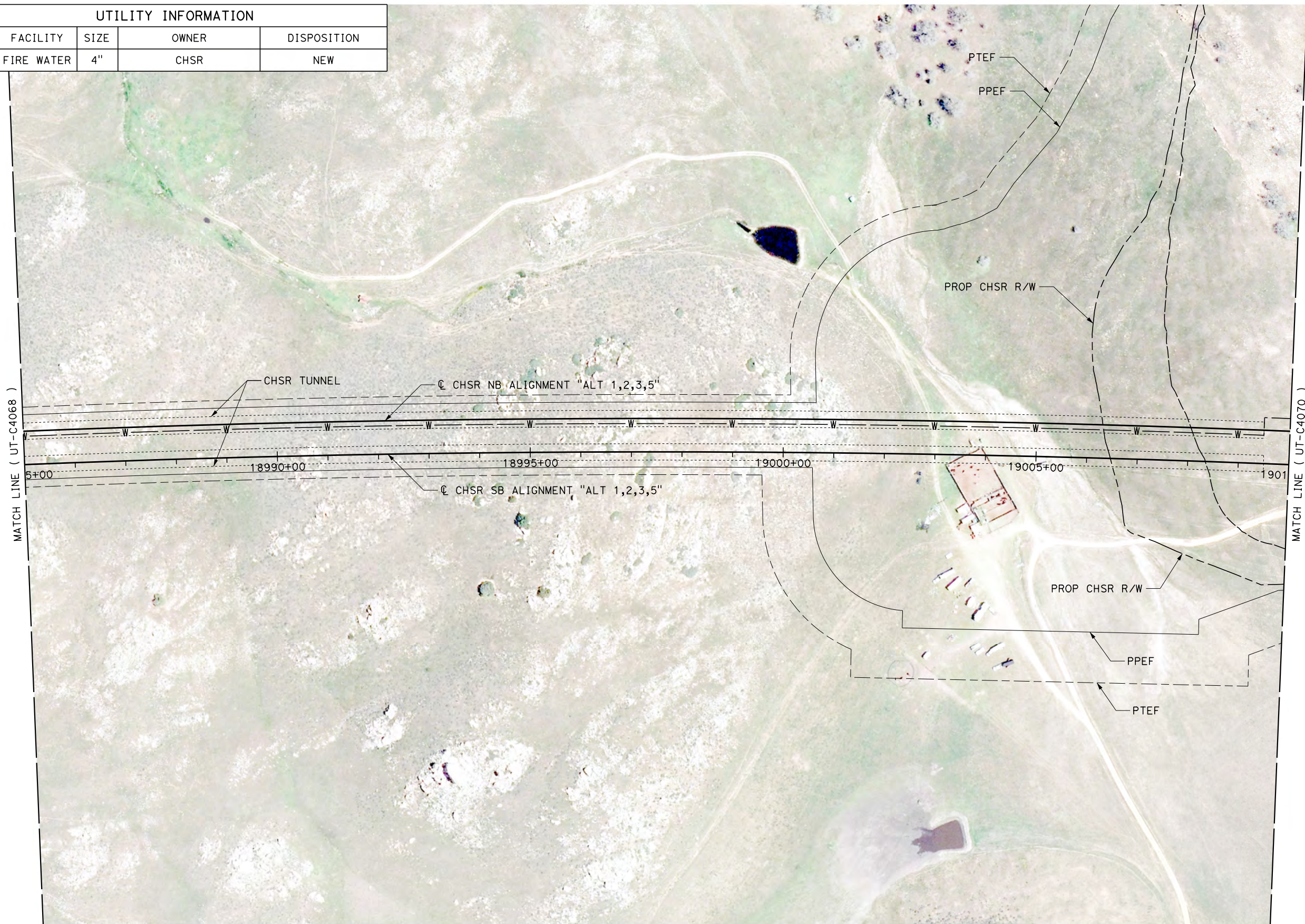


**CALIFORNIA HIGH-SPEED RAIL PROJECT  
 BAKERSFIELD TO PALMDALE**  
  
 ALTERNATIVE 1,2,3,5  
 COMPOSITE UTILITY PLAN  
 STA 18960+00 TO 18985+00

CONTRACT NO.  
**HSR13-44**  
 DRAWING NO.  
**UT-C4068**  
 SCALE  
**AS SHOWN**  
 SHEET NO.



UTILITY INFORMATION				
#	FACILITY	SIZE	OWNER	DISPOSITION
1	FIRE WATER	4"	CHSR	NEW



11/7/2017 2:53:42 PM OIC:Adodge Projects\701206.00\_CHSRBP\00\_CADD\Sheet Files\UT\A1\1\BP-UT-C4069.dgn

REV	DATE	BY	CHK	APP	DESCRIPTION

DESIGNED BY  
**D. CONYERS**  
 DRAWN BY  
**H. TU**  
 CHECKED BY  
**D. ARUTA**  
 IN CHARGE  
**S. SMITH**  
 DATE  
**10/31/2017**

**RECORD  
PEPD  
SUBMITTAL**  
  
**NOT FOR  
CONSTRUCTION**



**CALIFORNIA HIGH-SPEED RAIL PROJECT  
BAKERSFIELD TO PALMDALE**  
  
 ALTERNATIVE 1,2,3,5  
 COMPOSITE UTILITY PLAN  
 STA 1895+00 TO 19010+00

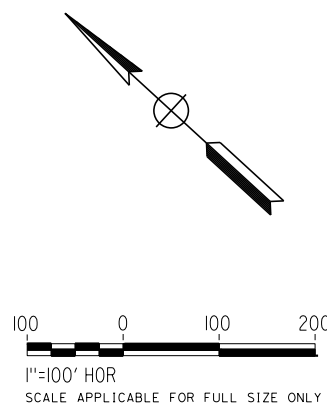
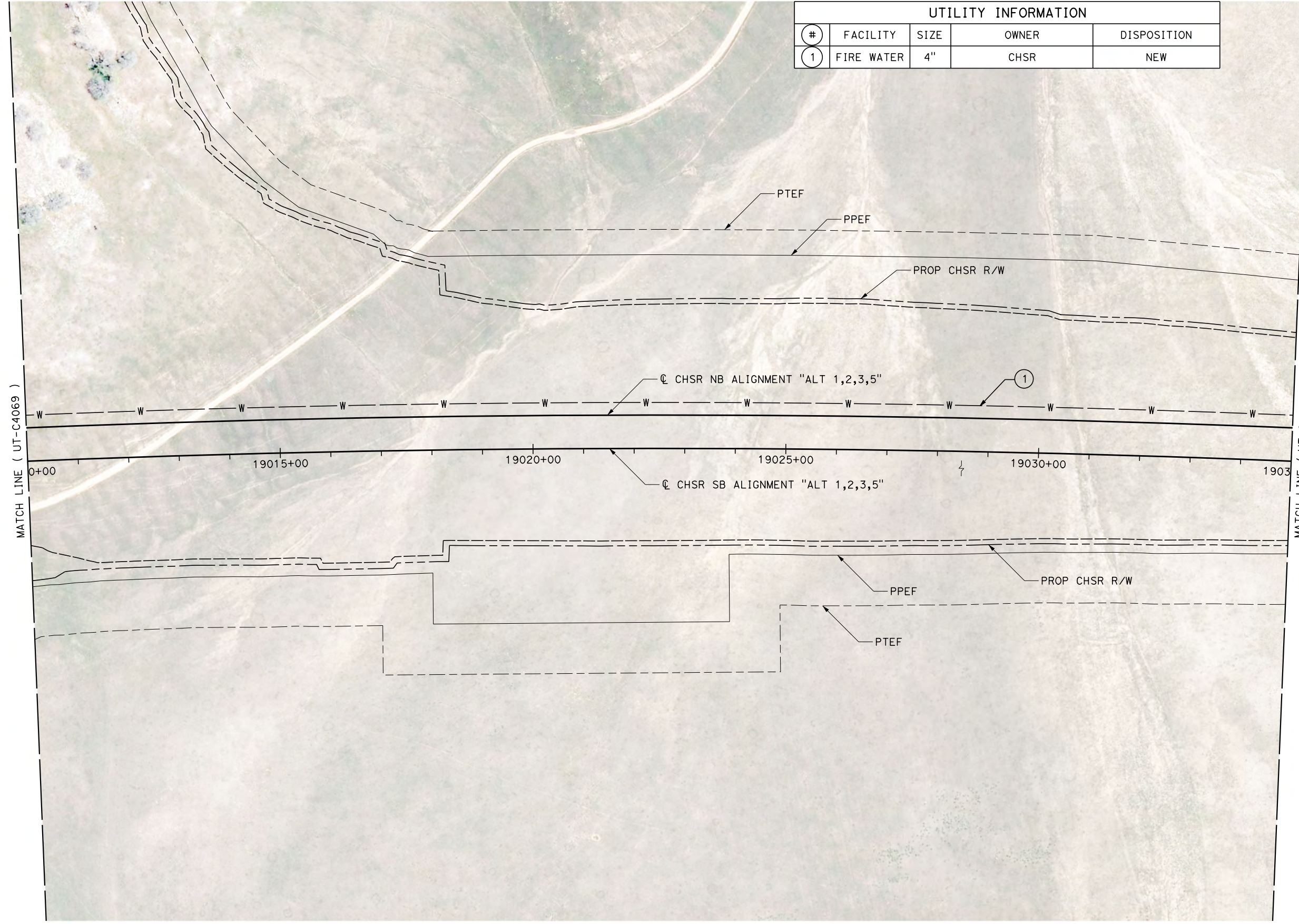
CONTRACT NO.  
**HSR13-44**  
 DRAWING NO.  
**UT-C4069**  
 SCALE  
**AS SHOWN**  
 SHEET NO.



Projects\701206.00\_CHSRBP\00\_CADD\Sheet\_Files\UT\A\1\BP-UT-C4070.dgn

OIC:ADodge 11/7/2017 3:40:46 PM

UTILITY INFORMATION				
#	FACILITY	SIZE	OWNER	DISPOSITION
1	FIRE WATER	4"	CHSR	NEW



REV	DATE	BY	CHK	APP	DESCRIPTION

DESIGNED BY  
**D. CONYERS**  
DRAWN BY  
**H. TU**  
CHECKED BY  
**D. ARUTA**  
IN CHARGE  
**S. SMITH**  
DATE  
**10/31/2017**

**RECORD  
PEPD  
SUBMITTAL**

**NOT FOR  
CONSTRUCTION**



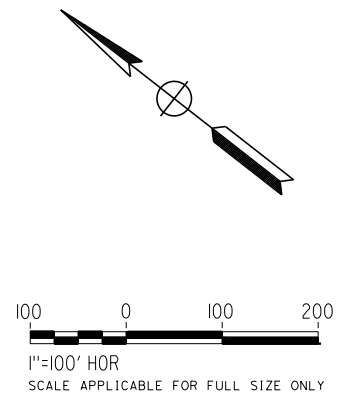
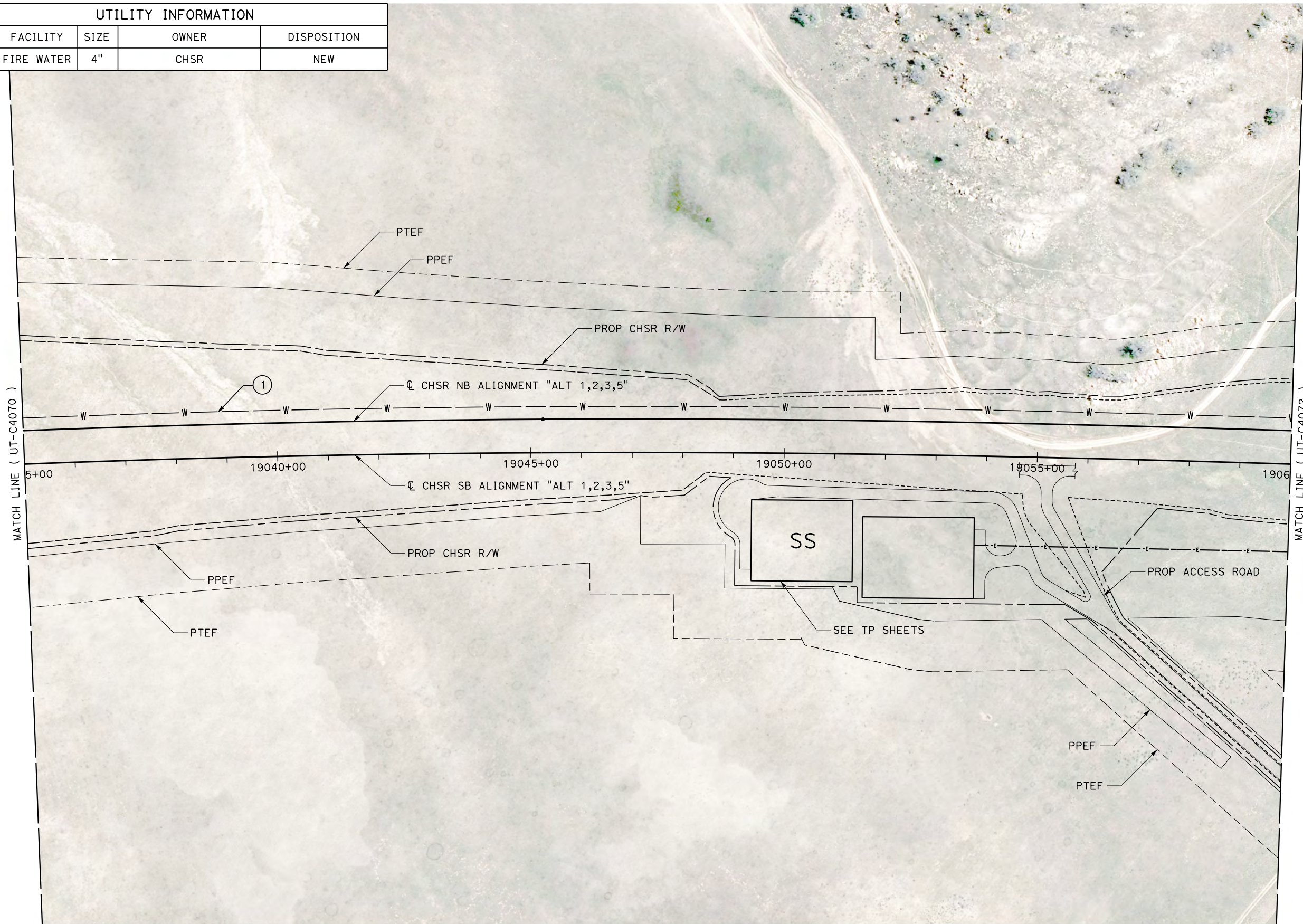
**CALIFORNIA HIGH-SPEED RAIL PROJECT  
BAKERSFIELD TO PALMDALE**

ALTERNATIVE 1,2,3,5  
COMPOSITE UTILITY PLAN  
STA 19010+00 TO 19035+00

CONTRACT NO.  
**HSR13-44**  
DRAWING NO.  
**UT-C4070**  
SCALE  
**AS SHOWN**  
SHEET NO.



UTILITY INFORMATION				
#	FACILITY	SIZE	OWNER	DISPOSITION
1	FIRE WATER	4"	CHSR	NEW



Projects\701206.00\_CHSRBP\00\_CADD\Sheet\_Files\UT\A1\1\BP-UT-C4071.dgn

OIC:ADodge 11/7/2017 2:56:10 PM

REV	DATE	BY	CHK	APP	DESCRIPTION

DESIGNED BY  
**D. CONYERS**

DRAWN BY  
**H. TU**

CHECKED BY  
**D. ARUTA**

IN CHARGE  
**S. SMITH**

DATE  
**10/31/2017**

**RECORD  
PEPD  
SUBMITTAL**

**NOT FOR  
CONSTRUCTION**



**CALIFORNIA HIGH-SPEED RAIL PROJECT  
BAKERSFIELD TO PALMDALE**

ALTERNATIVE 1,2,3,5  
COMPOSITE UTILITY PLAN  
STA 19035+00 TO 19060+00

CONTRACT NO.  
**HSR13-44**

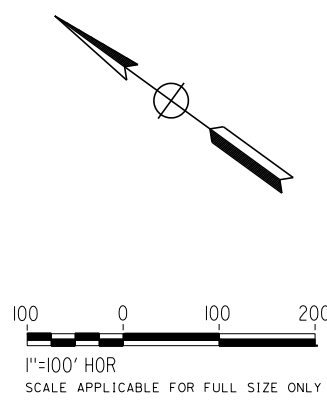
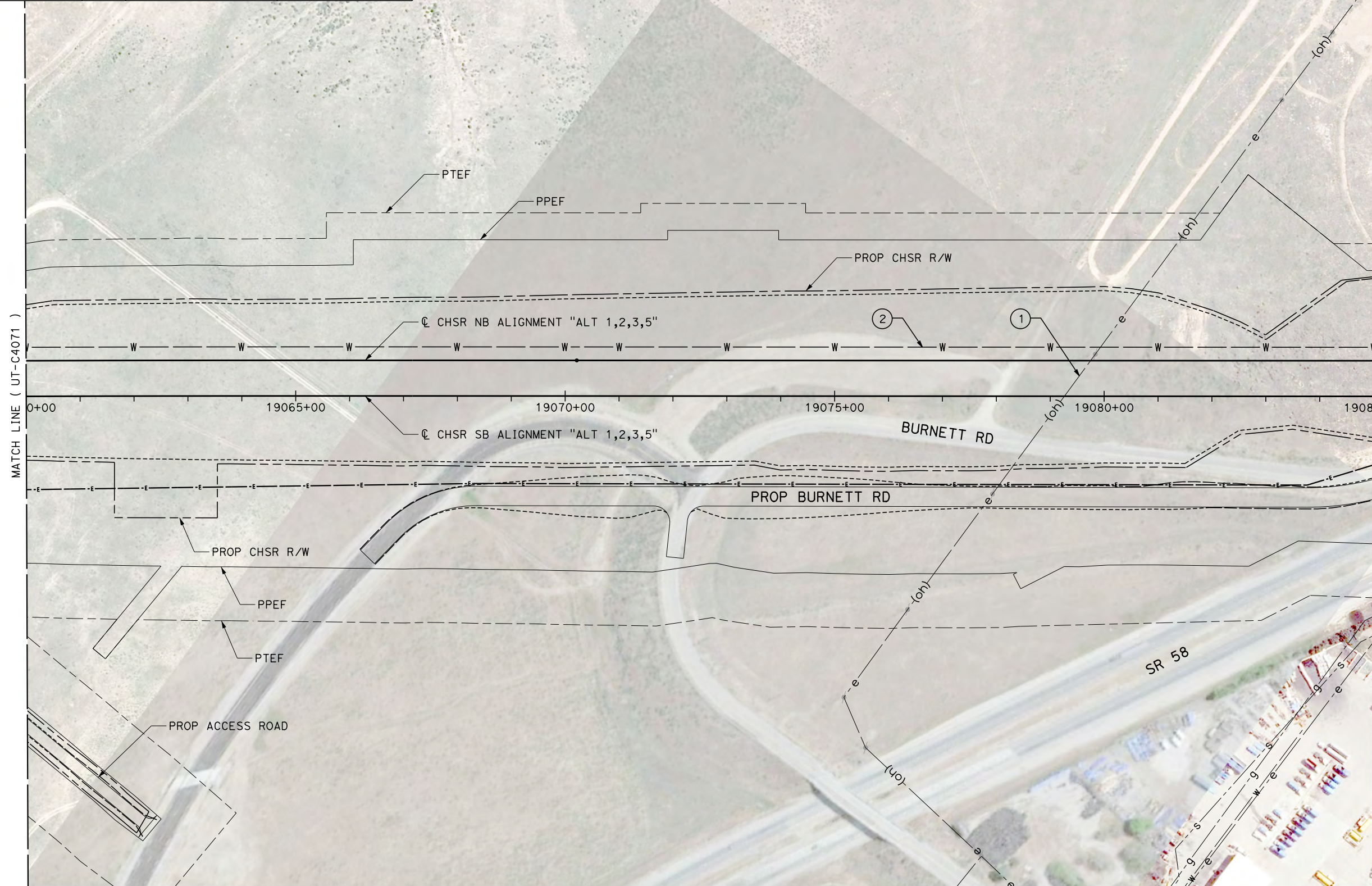
DRAWING NO.  
**UT-C4071**

SCALE  
**AS SHOWN**

SHEET NO.



UTILITY INFORMATION				
#	FACILITY	SIZE	OWNER	DISPOSITION
1	OH POWER	12kv	SCE DIST	RELOCATE
2	FIRE WATER	4"	CHSR	NEW



Projects\701206.00\_CHSRBF\00\_CADD\Sheet Files\UT\A1\1\_NBP-UT-C4072.dgn 11/7/2017 3:01:04 PM OIC.ADodge

REV	DATE	BY	CHK	APP	DESCRIPTION

DESIGNED BY  
**D. CONYERS**  
DRAWN BY  
**H. TU**  
CHECKED BY  
**D. ARUTA**  
IN CHARGE  
**S. SMITH**  
DATE  
**10/31/2017**

**RECORD  
PEPD  
SUBMITTAL**

**NOT FOR  
CONSTRUCTION**



**CALIFORNIA HIGH-SPEED RAIL PROJECT  
BAKERSFIELD TO PALMDALE**

ALTERNATIVE 1,2,3,5  
COMPOSITE UTILITY PLAN  
STA 19060+00 TO 19085+00

CONTRACT NO.  
**HSR13-44**  
DRAWING NO.  
**UT-C4072**  
SCALE  
**AS SHOWN**  
SHEET NO.

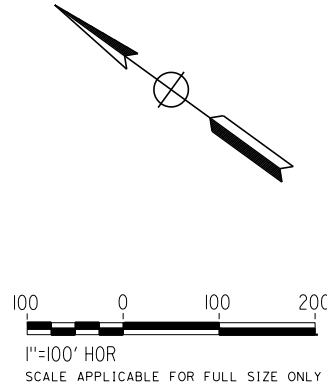
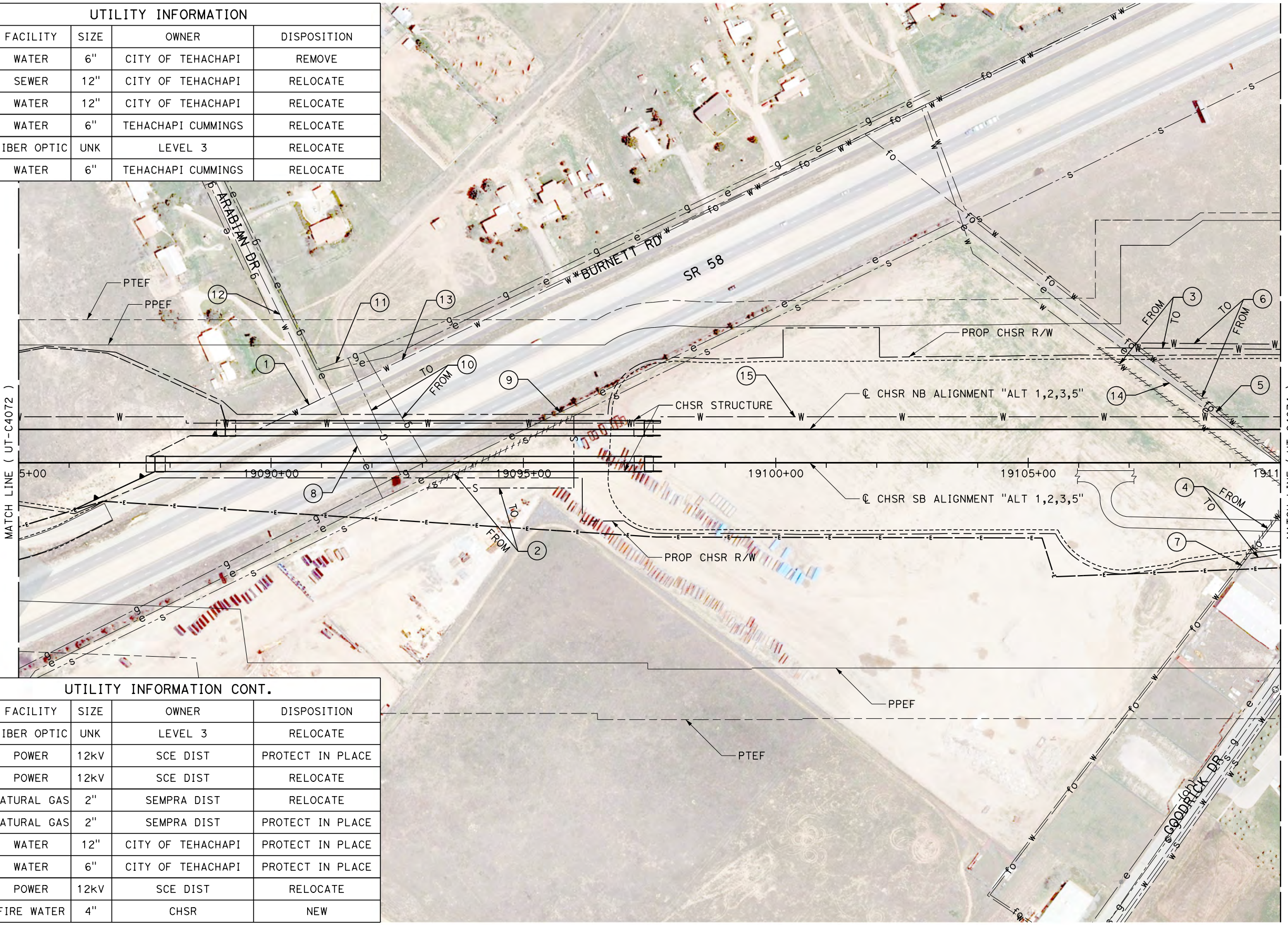


Projects\701206.00\_CHSRBP\00\_CADD\Sheet Files\UT\AI\1\BP-UT-C4073.dgn

OIC:Adodge 11/7/2017 2:55:12 PM

UTILITY INFORMATION				
#	FACILITY	SIZE	OWNER	DISPOSITION
1	WATER	6"	CITY OF TEHACHAPI	REMOVE
2	SEWER	12"	CITY OF TEHACHAPI	RELOCATE
3	WATER	12"	CITY OF TEHACHAPI	RELOCATE
4	WATER	6"	TEHACHAPI CUMMINGS	RELOCATE
5	FIBER OPTIC	UNK	LEVEL 3	RELOCATE
6	WATER	6"	TEHACHAPI CUMMINGS	RELOCATE

UTILITY INFORMATION CONT.				
#	FACILITY	SIZE	OWNER	DISPOSITION
7	FIBER OPTIC	UNK	LEVEL 3	RELOCATE
8	POWER	12KV	SCE DIST	PROTECT IN PLACE
9	POWER	12KV	SCE DIST	RELOCATE
10	NATURAL GAS	2"	SEMPRA DIST	RELOCATE
11	NATURAL GAS	2"	SEMPRA DIST	PROTECT IN PLACE
12	WATER	12"	CITY OF TEHACHAPI	PROTECT IN PLACE
13	WATER	6"	CITY OF TEHACHAPI	PROTECT IN PLACE
14	POWER	12KV	SCE DIST	RELOCATE
15	FIRE WATER	4"	CHSR	NEW



REV	DATE	BY	CHK	APP	DESCRIPTION

DESIGNED BY  
**D. CONYERS**  
DRAWN BY  
**H. TU**  
CHECKED BY  
**D. ARUTA**  
IN CHARGE  
**S. SMITH**  
DATE  
**10/31/2017**

**RECORD  
PEPD  
SUBMITTAL**

**NOT FOR  
CONSTRUCTION**



**CALIFORNIA HIGH-SPEED RAIL PROJECT  
BAKERSFIELD TO PALMDALE**

ALTERNATIVE 1,2,3,5  
COMPOSITE UTILITY PLAN  
STA 19085+00 TO 19110+00

CONTRACT NO.  
**HSR13-44**

DRAWING NO.  
**UT-C4073**

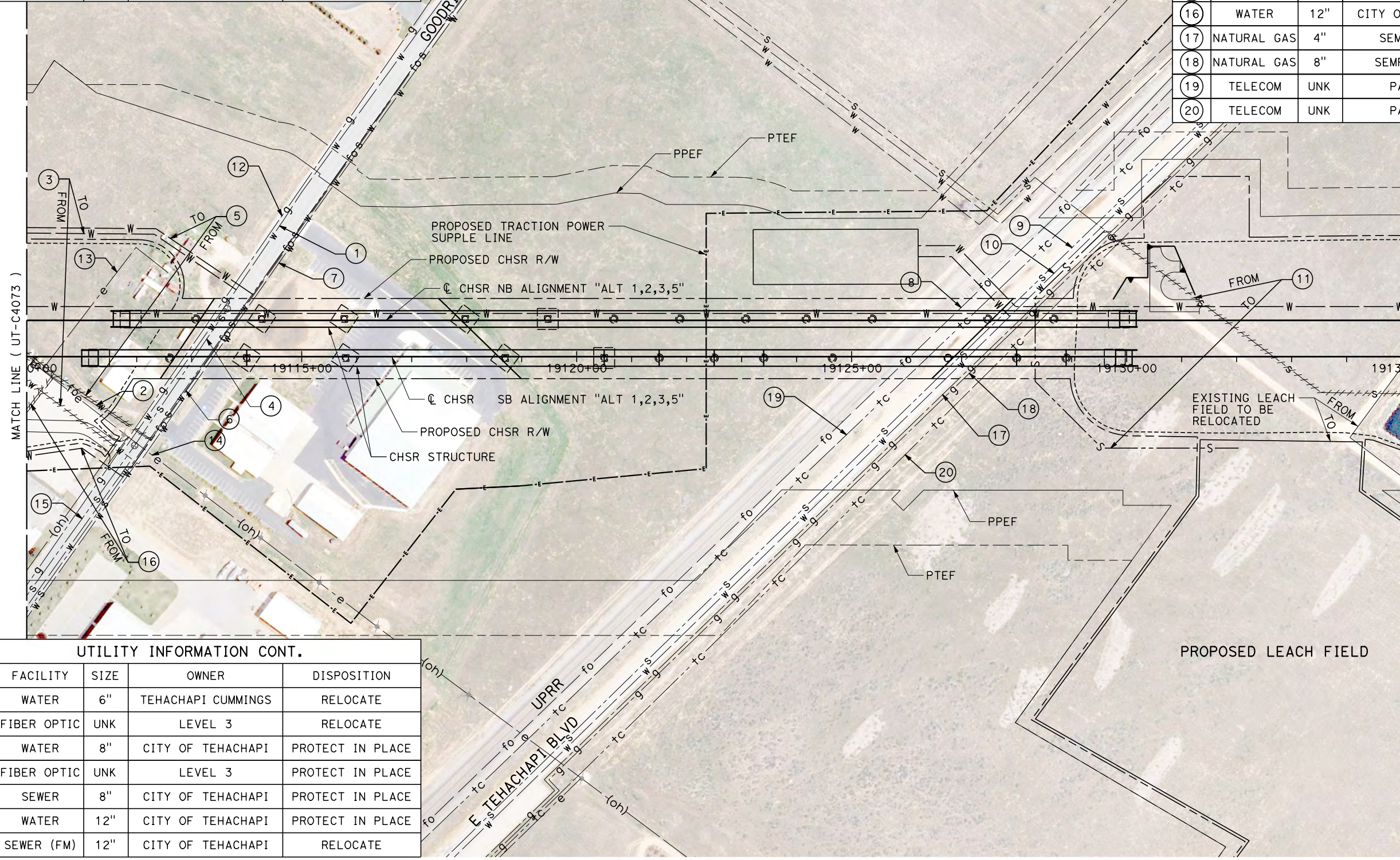
SCALE  
**AS SHOWN**

SHEET NO.

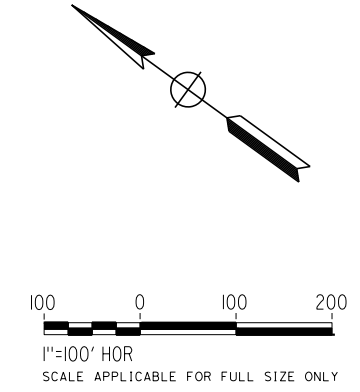


UTILITY INFORMATION				
#	FACILITY	SIZE	OWNER	DISPOSITION
1	WATER	12"	CITY OF TEHACHAPI	PROTECT IN PLACE
2	FIBER OPTIC	UNK	LEVEL 3	RELOCATE
3	WATER	12"	CITY OF TEHACHAPI	RELOCATE
4	SEWER	8"	CITY OF TEHACHAPI	REMOVE

UTILITY INFORMATION CONT.				
#	FACILITY	SIZE	OWNER	DISPOSITION
12	NATURAL GAS	4"	SEMPRA DIST	PROTECT IN PLACE
13	POWER	12kV	SCE DIST	RELOCATE
14	POWER	12kV	SCE DIST	RELOCATE
15	SEWER	12"	CITY OF TEHACHAPI	PROTECT IN PLACE
16	WATER	12"	CITY OF TEHACHAPI	RELOCATE
17	NATURAL GAS	4"	SEMPRA DIST	PROTECT IN PLACE
18	NATURAL GAS	8"	SEMPRA TRANS	PROTECT IN PLACE
19	TELECOM	UNK	PAC BELL	PROTECT IN PLACE
20	TELECOM	UNK	PAC BELL	RELOCATE



UTILITY INFORMATION CONT.				
#	FACILITY	SIZE	OWNER	DISPOSITION
5	WATER	6"	TEHACHAPI CUMMINGS	RELOCATE
6	FIBER OPTIC	UNK	LEVEL 3	RELOCATE
7	WATER	8"	CITY OF TEHACHAPI	PROTECT IN PLACE
8	FIBER OPTIC	UNK	LEVEL 3	PROTECT IN PLACE
9	SEWER	8"	CITY OF TEHACHAPI	PROTECT IN PLACE
10	WATER	12"	CITY OF TEHACHAPI	PROTECT IN PLACE
11	SEWER (FM)	12"	CITY OF TEHACHAPI	RELOCATE



Projects\701206.00\_CHSRBP\00\_CADD\Sheet Files\UT\AI\1\_NBP\_UT-C4074.dgn 11/7/2017 3:40:51 PM OIC:Adodge

REV	DATE	BY	CHK	APP	DESCRIPTION

DESIGNED BY  
**D. CONYERS**  
DRAWN BY  
**H. TU**  
CHECKED BY  
**D. ARUTA**  
IN CHARGE  
**S. SMITH**  
DATE  
**10/31/2017**

**RECORD  
PEPD  
SUBMITTAL**

**NOT FOR  
CONSTRUCTION**



**CALIFORNIA HIGH-SPEED RAIL PROJECT  
BAKERSFIELD TO PALMDALE**

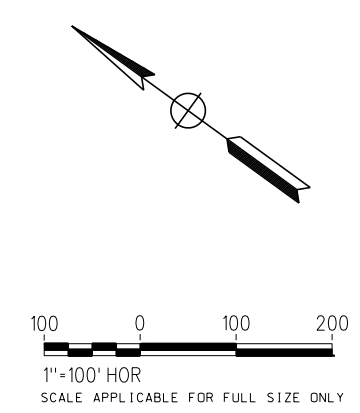
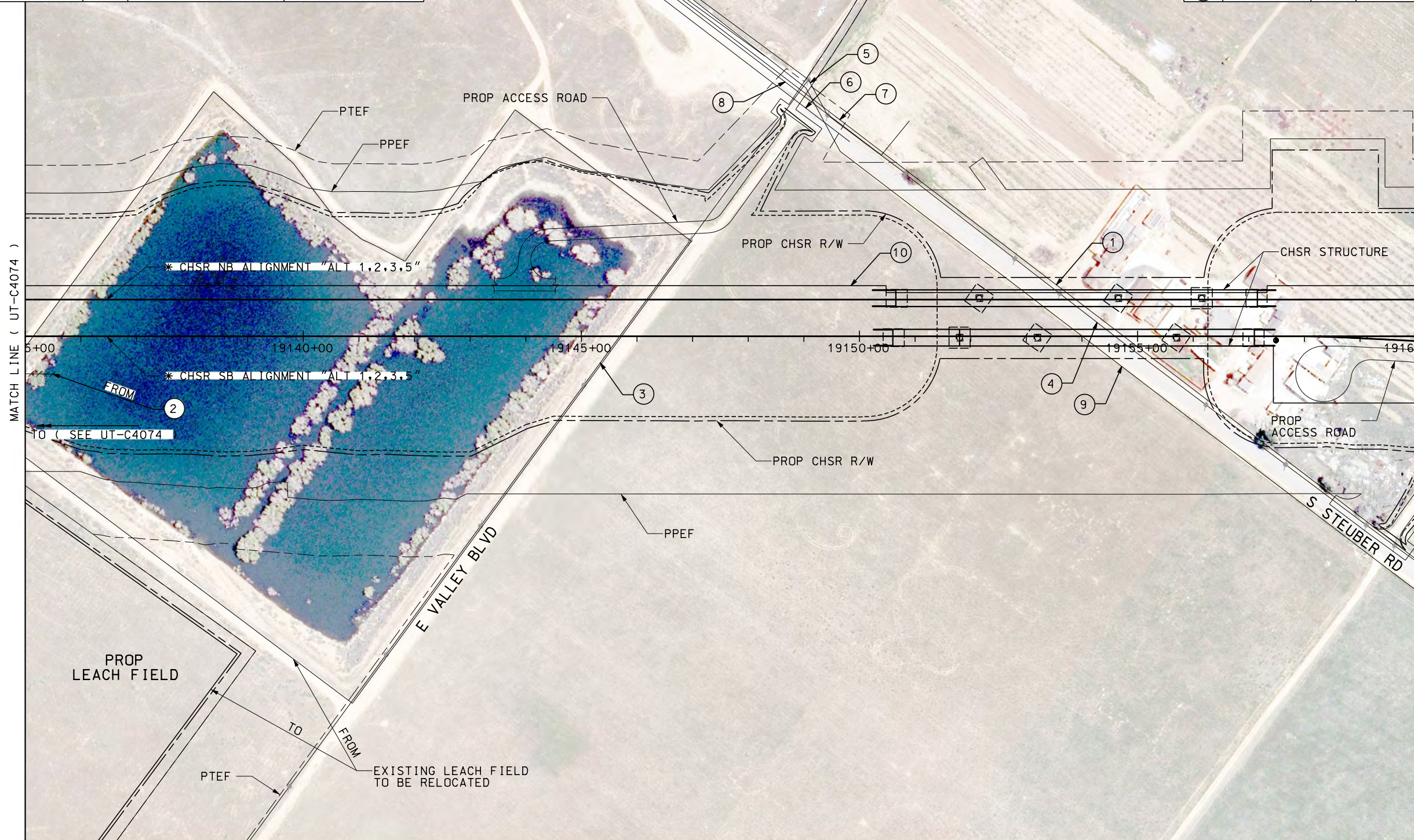
ALTERNATIVE 1,2,3,5  
COMPOSITE UTILITY PLAN  
STA 19110+00 TO 19135+00

CONTRACT NO.  
**HSR13-44**  
DRAWING NO.  
**UT-C4074**  
SCALE  
**AS SHOWN**  
SHEET NO.



UTILITY INFORMATION				
#	FACILITY	SIZE	OWNER	DISPOSITION
1	WATER	8"	TEHACHAPI CUMMINGS	PROTECT IN PLACE
2	SEWER (FM)	12"	CITY OF TEHACHAPI	RELOCATE
3	OH POWER	12kV	SCE DIST	RELOCATE
4	OH POWER	12kV	SCE DIST	RELOCATE
5	OH POWER	12kV	SCE DIST	RELOCATE

UTILITY INFORMATION CONT.				
#	FACILITY	SIZE	OWNER	DISPOSITION
6	SEWER	12"	CITY OF TEHACHAPI	PROTECT IN PLACE
7	WATER	8"	TEHACHAPI CUMMINGS	PROTECT IN PLACE
8	WATER	12"	CITY OF TEHACHAPI	PROTECT IN PLACE
9	TELECOM	UNK	PACBELL	RELOCATE
10	FIRE WATER	4"	CHSR	NEW



Projects\T01206.00\_CHSRBP\00\_CADD\Sheet Files\UT\A11\*BP-UT-C4075.dgn 11/7/2017 2:58:47 PM OIC-Adodge

REV	DATE	BY	CHK	APP	DESCRIPTION

DESIGNED BY  
**D. CONYERS**  
DRAWN BY  
**H. TU**  
CHECKED BY  
**D. ARUTA**  
IN CHARGE  
**S. SMITH**  
DATE  
**10/31/2017**

RECORD  
PEPD  
SUBMITTAL

NOT FOR  
CONSTRUCTION



CALIFORNIA HIGH-SPEED RAIL PROJECT  
**BAKERSFIELD TO PALMDALE**

ALTERNATIVE 1,2,3,5  
COMPOSITE UTILITY PLAN  
STA 19135+00 TO 19160+00

CONTRACT NO.  
**HSR13-44**

DRAWING NO.  
**UT-C4075**

SCALE  
**AS SHOWN**

SHEET NO.