

California High-Speed Rail Authority

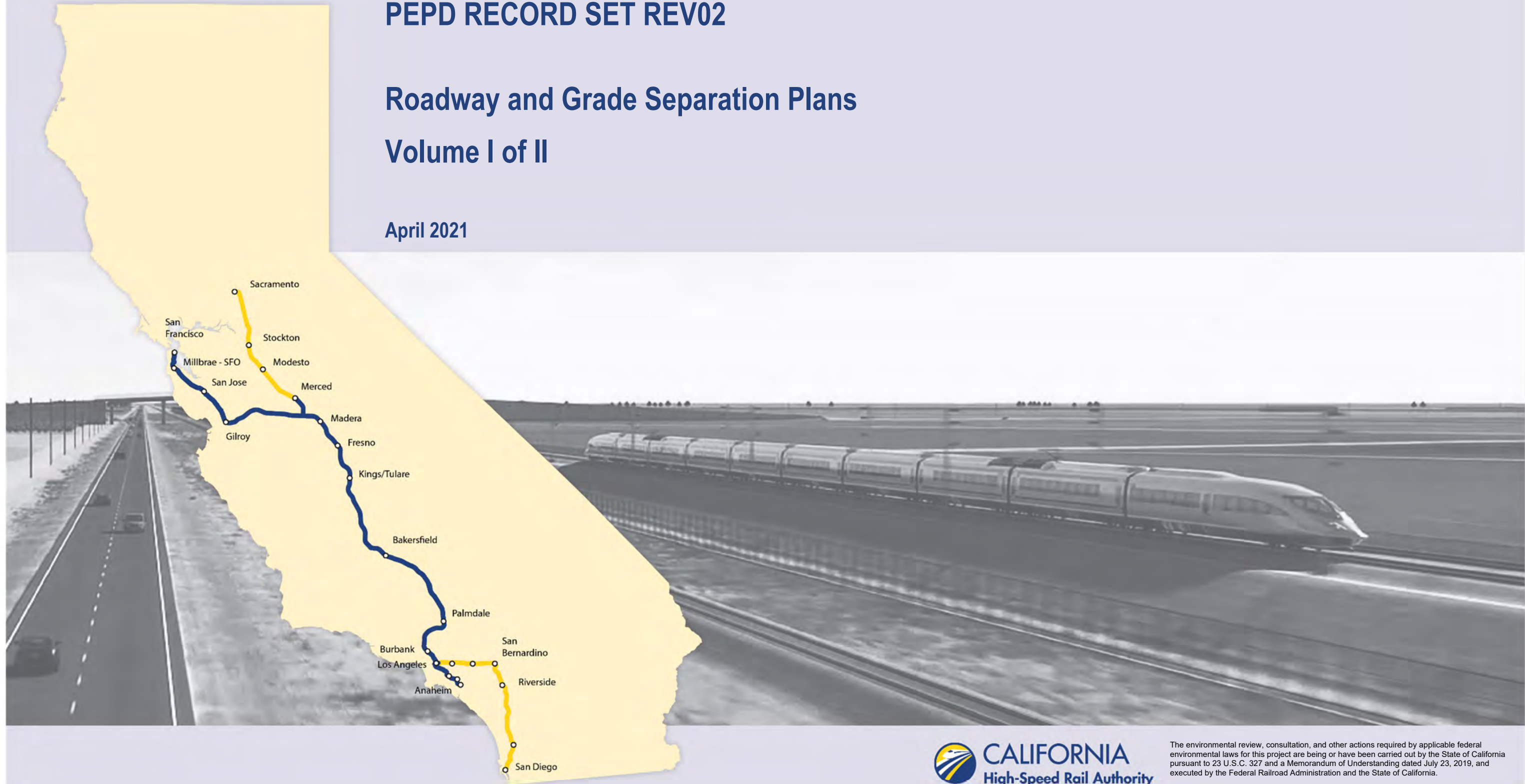
Palmdale to Burbank Project Section

PEPD RECORD SET REV02

Roadway and Grade Separation Plans

Volume I of II

April 2021



ROADWAY/GRADE SEPARATION SHEETS

GENERAL

DRAWING NO.	DRAWING DESCRIPTION	
CV-B0001	ROADWAYS AND GRADE SEPARATIONS - INDEX OF DRAWINGS - SHEET 1 OF 3	VOLUME I OF II
CV-B0002	ROADWAYS AND GRADE SEPARATIONS - INDEX OF DRAWINGS - SHEET 2 OF 3	
CV-B0003	ROADWAYS AND GRADE SEPARATIONS - INDEX OF DRAWINGS - SHEET 3 OF 3	
CV-B0004	ROADWAYS AND GRADE SEPARATIONS - ABBREVIATIONS	
CV-B0005	ROADWAYS AND GRADE SEPARATIONS - ABBREVIATIONS AND LEGEND	

REFINED S14 CENTRAL SUBSECTION

DRAWING NO.	DRAWING DESCRIPTION	
	ACCESS ROAD PLANS, PROFILES AND TYPICAL SECTIONS	VOLUME I OF II
CV-Y4001-S14	ACCESS ROAD PLAN - ACCESS ROAD 1	
CV-Y4003-S14	ACCESS ROAD PLAN - ACCESS ROAD 2	
CV-Y4004-S14	ACCESS ROAD PLAN - ACCESS ROAD 3A & 3B	
CV-Y4005-S14	ACCESS ROAD PLAN - ACCESS ROAD 4, 5A & 5 - SHEET 1 OF 4	
CV-Y4006-S14	ACCESS ROAD PLAN - ACCESS ROAD 5 - SHEET 2 OF 4	
CV-Y4007-S14	ACCESS ROAD PLAN - ACCESS ROAD 5 - SHEET 3 OF 4	
CV-Y4008-S14	ACCESS ROAD PLAN - ACCESS ROAD 5 - SHEET 4 OF 4	
CV-Y4009-S14	ACCESS ROAD PLAN - ACCESS ROAD 6A & 6B - SHEET 1 OF 3	
CV-Y4010-S14	ACCESS ROAD PLAN - ACCESS ROAD 6A - SHEET 2 OF 3	
CV-Y4011-S14	ACCESS ROAD PLAN - ACCESS ROAD 6A - SHEET 3 OF 3	
CV-Y4012-S14	ACCESS ROAD PLAN - ACCESS ROAD 7	
CV-Y4013-S14	ACCESS ROAD PLAN - ACCESS ROAD 8 - SHEET 1 OF 3	
CV-Y4014-S14	ACCESS ROAD PLAN - ACCESS ROAD 8 - SHEET 2 OF 3	
CV-Y4015-S14	ACCESS ROAD PLAN - ACCESS ROAD 8 - SHEET 3 OF 3	
CV-Y4016-S14	ACCESS ROAD PLAN - ACCESS ROAD 9	
CV-Y4017-S14	ACCESS ROAD PLAN - WEST AND EAST ADIT ROAD OPTION 1 AND OPTION 2	
CV-Y1001-S14	ACCESS ROAD PROFILE - ACCESS ROAD 1	
CV-Y1002-S14	ACCESS ROAD PROFILE - ACCESS ROAD 2 AND ACCESS ROAD 5A	
CV-Y1003-S14	ACCESS ROAD PROFILE - ACCESS ROAD 3A & 3B	
CV-Y1004-S14	ACCESS ROAD PROFILE - ACCESS ROAD 5 - SHEET 1 OF 4	
CV-Y1005-S14	ACCESS ROAD PROFILE - ACCESS ROAD 5 - SHEET 2 OF 4	
CV-Y1006-S14	ACCESS ROAD PROFILE - ACCESS ROAD 5 - SHEET 3 OF 4	
CV-Y1007-S14	ACCESS ROAD PROFILE - ACCESS ROAD 5 - SHEET 4 OF 4	
CV-Y1008-S14	ACCESS ROAD PROFILE - ACCESS ROAD 6A - SHEET 1 OF 3	
CV-Y1009-S14	ACCESS ROAD PROFILE - ACCESS ROAD 6A - SHEET 2 OF 3	
CV-Y1010-S14	ACCESS ROAD PROFILE - ACCESS ROAD 6A - SHEET 3 OF 3	
CV-Y1011-S14	ACCESS ROAD PROFILE - ACCESS ROAD 7	
CV-Y1012-S14	ACCESS ROAD PROFILE - ACCESS ROAD 8 - SHEET 1 OF 3	
CV-Y1013-S14	ACCESS ROAD PROFILE - ACCESS ROAD 8 - SHEET 2 OF 3	
CV-Y1014-S14	ACCESS ROAD PROFILE - ACCESS ROAD 8 - SHEET 3 OF 3	
CV-Y1015-S14	ACCESS ROAD PROFILE - ACCESS ROAD 9	
CV-Y1016-S14	ACCESS ROAD PROFILE - ACCESS ROAD 4 & ACCESS ROAD 6B	
CV-Y1017-S14	ACCESS ROAD PROFILE - WEST AND EAST ADIT ROAD OPTION 1 AND OPTION 2	
CV-Y3001-S14	TYPICAL SECTIONS - ACCESS ROAD 1, 2, 3A AND 3B	
CV-Y3002-S14	TYPICAL SECTIONS - ACCESS ROAD 4, 5, 6A AND 6B	
CV-Y3003-S14	TYPICAL SECTIONS - ACCESS ROAD 7, 8, AND 9	
CV-Y3004-S14	TYPICAL SECTIONS - EAST ADIT ROAD AND WEST ADIT ROAD	

REFINED S14 CENTRAL SUBSECTION

DRAWING NO.	DRAWING DESCRIPTION	
	KEY MAPS	VOLUME I OF II
CV-B0001-S14	ROADWAY AND GRADE SEPARATION PLAN - KEY MAP - SHEET 1 OF 4	
CV-B0002-S14	ROADWAY AND GRADE SEPARATION PLAN - KEY MAP - SHEET 2 OF 4	
CV-B0003-S14	ROADWAY AND GRADE SEPARATION PLAN - KEY MAP - SHEET 3 OF 4	
CV-B0004-S14	ROADWAY AND GRADE SEPARATION PLAN - KEY MAP - SHEET 4 OF 4	
	ROADWAY PLANS, PROFILES AND TYPICAL SECTIONS	
CV-R4006-S14	ROADWAY PLAN - SIERRA HIGHWAY - SHEET 1 OF 4	
CV-R4007-S14	ROADWAY PLAN - SIERRA HIGHWAY AND WATER TREATMENT PLANT ACCESS RD 2 - SHEET 2 OF 4	
CV-R4008-S14	ROADWAY PLAN - SIERRA HIGHWAY - SHEET 3 OF 4	
CV-R4009-S14	ROADWAY PLAN - SIERRA HIGHWAY - SHEET 4 OF 4	
CV-R4018-S14	ROADWAY PLAN - E BARREL SPRINGS RD, E BARREL SPRINGS ACCESS RD AND EAST SIXTH STREET	
CV-R4019-S14	ROADWAY PLAN - E BARREL SPRINGS RD AND E BARREL SPRINGS ACCESS RD	
CV-R4020-S14	ROADWAY PLAN - SHELDON ST, PRIVATE RD 1, RALSTON AVE, LADWP RD AND ACCESS RD	
CV-R4040-S14	ROADWAY PLAN - TUXFORD ST	
CV-R4041-S14	ROADWAY PLAN - OLINDA ST AND SAN FERNANDO RD	
CV-R1006-S14	ROADWAY PROFILE - SIERRA HIGHWAY - SHEET 1 OF 4	
CV-R1007-S14	ROADWAY PROFILE - SIERRA HIGHWAY - SHEET 2 OF 4	
CV-R1008-S14	ROADWAY PROFILE - SIERRA HIGHWAY - SHEET 3 OF 4	
CV-R1009-S14	ROADWAY PROFILE - SIERRA HIGHWAY - SHEET 4 OF 4	
CV-R1009A-S14	ROADWAY PROFILE - VALLEY FORGE AND E AVENUE R11	
CV-R1009B-S14	ROADWAY PROFILE - SIXTH STREET EAST AND WATER TREATMENT PLANT ACCESS RD 2	
CV-R1009C-S14	ROADWAY PROFILE - EAST TENTH STREET	
CV-R1020-S14	ROADWAY PROFILE - E BARREL SPRINGS ROAD - SHEET 1 OF 2	
CV-R1021-S14	ROADWAY PROFILE - E BARREL SPRINGS ROAD - SHEET 2 OF 2	
CV-R1021A-S14	ROADWAY PROFILE - E BARREL SPRINGS ACCESS ROAD	
CV-R1022-S14	ROADWAY PROFILE - SHELDON STREET	
CV-R1023-S14	ROADWAY PROFILE - RALSTON AVENUE, PRIVATE RD 1, LADWP RD AND ACCESS RD	
CV-R1024-S14	ROADWAY PROFILE - SAN FERNANDO ROAD "SFR"	
CV-R1025-S14	ROADWAY PROFILE - SAN FERNANDO ROAD "SFB"	
CV-R1026-S14	ROADWAY PROFILE - SAN FERNANDO ROAD "SFR1"	
CV-R1029-S14	ROADWAY PROFILE - OLINDA STREET	
CV-R1030-S14	ROADWAY PROFILE - TUXFORD STREET	
CV-R3001-S14	TYPICAL SECTIONS - E BARREL SPRINGS ROAD	
CV-R3002-S14	TYPICAL SECTIONS - SIXTH STREET EAST	
CV-R3003-S14	TYPICAL SECTIONS - HAROLD THIRD STREET, HAROLD DATE AVE, HAROLD FIFTH STREET AND E BARREL SPRINGS ACCESS RD	
CV-R3004-S14	TYPICAL SECTIONS - BRANFORD STREET, RALSTON AVENUE AND ACCESS ROAD	
CV-R3005-S14	TYPICAL SECTIONS - SHELDON STREET, PRIVATE ROAD 1 AND LADWP ROAD	
CV-R3006-S14	TYPICAL SECTIONS - SIERRA HIGHWAY - SHEET 1 OF 2	
CV-R3007-S14	TYPICAL SECTIONS - SIERRA HIGHWAY - SHEET 2 OF 2	
CV-R3008-S14	TYPICAL SECTIONS - EAST TENTH STREET AND WATER TREATMENT PLANT ACCESS RD 2	
CV-R3009-S14	TYPICAL SECTIONS - SAN FERNANDO ROAD - SHEET 1 OF 2	
CV-R3010-S14	TYPICAL SECTIONS - SAN FERNANDO ROAD - SHEET 2 OF 2	
CV-R3011-S14	TYPICAL SECTIONS - TUXFORD STREET	
CV-R3012-S14	TYPICAL SECTIONS - OLINDA STREET	
CV-R3013-S14	TYPICAL SECTIONS - VALLEY FORGE AND EAST AVENUE R11	
	GRADE SEPARATION PLANS, PROFILES AND TYPICAL SECTIONS	
CV-T4007-S14	GRADE SEPARATION PLAN - EAST AVENUE S - SHEET 1 OF 3	
CV-T4008-S14	GRADE SEPARATION PLAN - EAST AVENUE S - SHEET 2 OF 3	
CV-T4009-S14	GRADE SEPARATION PLAN - EAST AVENUE S - SHEET 3 OF 3	
CV-T4019-S14	GRADE SEPARATION PLAN - BRANFORD STREET AND SANFERNANDO ROAD "SFR1" - SHEET 1 OF 2	
CV-T4020-S14	GRADE SEPARATION PLAN - BRANFORD STREET - SHEET 2 OF 2	
CV-T1007-S14	GRADE SEPARATION PROFILE - EAST AVENUE S - SHEET 1 OF 3	
CV-T1008-S14	GRADE SEPARATION PROFILE - EAST AVENUE S - SHEET 2 OF 3	
CV-T1009-S14	GRADE SEPARATION PROFILE - EAST AVENUE S - SHEET 3 OF 3	
CV-T1015-S14	GRADE SEPARATION PROFILE - BRANFORD STREET	
CV-T3001-S14	TYPICAL SECTIONS - EAST AVENUE S - SHEET 1 OF 2	
CV-T3002-S14	TYPICAL SECTIONS - EAST AVENUE S - SHEET 2 OF 2	

ct:\pwworkingdir\sener-us-pw-bentley.com_sener-us-pw-01\dal\c\cordoba\dms24256\FB-CV-B0001.dgn

5/27/2021 6:01:30 PM

cordo

REV	DATE	BY	CHK	APP	DESCRIPTION

DESIGNED BY
J.C. ALAMILLA
DRAWN BY
A. SANZ
CHECKED BY
W. GUO
IN CHARGE
A. RELANO
DATE
04/30/2021

PEPD RECORD SET
REV 02

NOT FOR CONSTRUCTION



CALIFORNIA HIGH-SPEED RAIL PROJECT
PALMDALE TO BURBANK
ALIGNMENT "REFINED SR14/E1/E2"
ROADWAYS AND GRADE SEPARATIONS
INDEX OF DRAWINGS
SHEET 1 OF 3

CONTRACT NO.
HSR14-42
DRAWING NO.
CV-B0001
SCALE
NO SCALE
SHEET NO.

ROADWAY/GRADE SEPARATION SHEETS

E1 CENTRAL SUBSECTION

DRAWING NO.	DRAWING DESCRIPTION
	KEY MAPS
CV-B0001-E1	ROADWAYS AND GRADE SEPARATION PLAN - KEY MAP - SHEET 1 OF 4
CV-B0002-E1	ROADWAYS AND GRADE SEPARATION PLAN - KEY MAP - SHEET 2 OF 4
CV-B0003-E1	ROADWAYS AND GRADE SEPARATION PLAN - KEY MAP - SHEET 3 OF 4
CV-B0004-E1	ROADWAYS AND GRADE SEPARATION PLAN - KEY MAP - SHEET 4 OF 4
	ROADWAY PLANS, PROFILES AND TYPICAL SECTIONS
CV-R4006-E1	ROADWAY PLAN - SIERRA HIGHWAY "SH-1" - SHEET 1 OF 4
CV-R4007-E1	ROADWAY PLAN - SIERRA HIGHWAY "SH-1" AND WATER TREATMENT PLANT ACCESS RD 2 - SHEET 2 OF 4
CV-R4008-E1	ROADWAY PLAN - SIERRA HIGHWAY "SH-1" - SHEET 3 OF 4
CV-R4009-E1	ROADWAY PLAN - SIERRA HIGHWAY "SH-1" - SHEET 4 OF 4
CV-R4018-E1	ROADWAY PLAN - ANGELES FOREST HIGHWAY, W CARSON MESA ROAD AND MOUNTAIN SPRINGS ROAD
CV-R4019-E1	ROADWAY PLAN - ANGELES FOREST HIGHWAY
CV-R4020-E1	ROADWAY PLAN - ANGELES FOREST HIGHWAY AND ROUTE 14 EB OFF-RAMP
CV-R4022-E1	ROADWAY PLAN - SIERRA HIGHWAY "SH-2" AND ROUTE 14 EB ON-RAMP
CV-R4023-E1	ROADWAY PLAN - SIERRA HIGHWAY "SH-3"
CV-R4030-E1	ROADWAY PLAN - SHELDON ST, PRIVATE RD 1, RALSTON AVE, LADWP RD AND ACCESS RD
CV-R4040-E1	ROADWAY PLAN - TUXFORD STREET
CV-R4041-E1	ROADWAY PLAN - OLINDA STREET AND SAN FERNANDO ROAD
CV-R1006-E1	ROADWAY PROFILE - SIERRA HIGHWAY "SH-1" - SHEET 1 OF 4
CV-R1007-E1	ROADWAY PROFILE - SIERRA HIGHWAY "SH-1" - SHEET 2 OF 4
CV-R1008-E1	ROADWAY PROFILE - SIERRA HIGHWAY "SH-1" - SHEET 3 OF 4
CV-R1009-E1	ROADWAY PROFILE - SIERRA HIGHWAY "SH-1" AND WATER TREATMENT PLANT ACCESS RD 2 - SHEET 4 OF 4
CV-R1009A-E1	ROADWAY PROFILE - EAST TENTH STREET
CV-R1010-E1	ROADWAY PROFILE - SIERRA HIGHWAY "SH-2" - SHEET 1 OF 2
CV-R1011-E1	ROADWAY PROFILE - SIERRA HIGHWAY "SH-2" - SHEET 2 OF 2
CV-R1012-E1	ROADWAY PROFILE - SIERRA HIGHWAY "SH-3" - SHEET 1 OF 2
CV-R1013-E1	ROADWAY PROFILE - SIERRA HIGHWAY "SH-3" - SHEET 2 OF 2
CV-R1014-E1	ROADWAY PROFILE - MOUNTAIN SPRINGS ROAD
CV-R1018-E1	ROADWAY PROFILE - ANGELES FOREST HIGHWAY AND W CARSON MESA ROAD
CV-R1019-E1	ROADWAY PROFILE - ANGELES FOREST HIGHWAY - SHEET 1 OF 2
CV-R1020-E1	ROADWAY PROFILE - ANGELES FOREST HIGHWAY - SHEET 2 OF 2
CV-R1021-E1	ROADWAY PROFILE - ROUTE 14 EB OFF-RAMP
CV-R1022-E1	ROADWAY PROFILE - ROUTE 14 EB ON-RAMP
CV-R1023-E1	ROADWAY PROFILE - VALLEY FORGE AND E AVENUE R 11
CV-R1024-E1	ROADWAY PROFILE - CARSON MESA ACCESS ROAD
CV-R1025-E1	ROADWAY PROFILE - SAN FERNANDO ROAD "SFR"
CV-R1026-E1	ROADWAY PROFILE - SAN FERNANDO ROAD "SFB"
CV-R1027-E1	ROADWAY PROFILE - SAN FERNANDO ROAD "SFR1"
CV-R1029-E1	ROADWAY PROFILE - SHELDON STREET
CV-R1030-E1	ROADWAY PROFILE - OLINDA STREET
CV-R1031-E1	ROADWAY PROFILE - TUXFORD STREET
CV-R3001-E1	TYPICAL SECTIONS - SIERRA HIGHWAY - SHEET 1 OF 2
CV-R3002-E1	TYPICAL SECTIONS - SIERRA HIGHWAY - SHEET 2 OF 2
CV-R3003-E1	TYPICAL SECTIONS - ROUTE 14 EB ON-RAMP AND ROUTE 14 EB OFF-RAMP
CV-R3004-E1	TYPICAL SECTIONS - SIERRA HIGHWAY AND ANGELES FOREST HIGHWAY
CV-R3005-E1	TYPICAL SECTIONS - EAST TENTH STREET AND WATER TREATMENT PLANT ACCESS RD 2
CV-R3006-E1	TYPICAL SECTIONS - W CARSON MESA ROAD AND MOUNTAIN SPRINGS RD
CV-R3009-E1	TYPICAL SECTIONS - SAN FERNANDO ROAD - SHEET 1 OF 2
CV-R3010-E1	TYPICAL SECTIONS - SAN FERNANDO ROAD - SHEET 2 OF 2
CV-R3011-E1	TYPICAL SECTIONS - TUXFORD STREET
CV-R3012-E1	TYPICAL SECTIONS - OLINDA STREET
CV-R3013-E1	TYPICAL SECTIONS - BRANFORD ST, RALSTON AVE AND ACCESS RD
CV-R3014-E1	TYPICAL SECTIONS - SHELDON ST, PRIVATE ROAD 1 AND LADWP RD

VOLUME
II OF II

E1 CENTRAL SUBSECTION

DRAWING NO.	DRAWING DESCRIPTION
	GRADE SEPARATION PLANS, PROFILES AND TYPICAL SECTIONS
CV-T4007-E1	GRADE SEPARATION PLAN - EAST AVENUE S - SHEET 1 OF 3
CV-T4008-E1	GRADE SEPARATION PLAN - EAST AVENUE S - SHEET 2 OF 3
CV-T4009-E1	GRADE SEPARATION PLAN - EAST AVENUE S - SHEET 3 OF 3
CV-T4010-E1	GRADE SEPARATION PLAN - BRANDFORD ST AND SAN FERNANDO RD "SFR1" - SHEET 1 OF 2
CV-T4011-E1	GRADE SEPARATION PLAN - BRANDFORD ST - SHEET 2 OF 2
CV-T4015-E1	GRADE SEPARATION PLAN - FORESTON DRIVE AND FORESTON ACCESS ROAD
CV-T4016-E1	GRADE SEPARATION PLAN - FORESTON DRIVE
CV-T4017-E1	GRADE SEPARATION PLAN - ALISO CANYON ROAD AND ACCESS ROAD 3
CV-T4018-E1	GRADE SEPARATION PLAN - ALISO CANYON ROAD
CV-T1007-E1	GRADE SEPARATION PROFILE - EAST AVENUE S - SHEET 1 OF 3
CV-T1008-E1	GRADE SEPARATION PROFILE - EAST AVENUE S - SHEET 2 OF 3
CV-T1009-E1	GRADE SEPARATION PROFILE - EAST AVENUE S - SHEET 3 OF 3
CV-T1010-E1	GRADE SEPARATION PROFILE - BRANFORD STREET
CV-T1016-E1	GRADE SEPARATION PROFILE - FORESTON DRIVE - SHEET 1 OF 2
CV-T1017-E1	GRADE SEPARATION PROFILE - FORESTON DRIVE - SHEET 2 OF 2
CV-T1018-E1	GRADE SEPARATION PROFILE - ALISO CANYON ROAD - SHEET 1 OF 2
CV-T1019-E1	GRADE SEPARATION PROFILE - ALISO CANYON ROAD - SHEET 2 OF 2
CV-T3001-E1	TYPICAL SECTIONS - FORESTON DRIVE
CV-T3002-E1	TYPICAL SECTIONS - ALISO CANYON ROAD
CV-T3003-E1	TYPICAL SECTIONS - EAST AVENUE S - SHEET 1 OF 2
CV-T3004-E1	TYPICAL SECTIONS - EAST AVENUE S - SHEET 2 OF 2
	ACCESS ROAD PLANS, PROFILES AND TYPICAL SECTIONS
CV-Y4001-E1	ACCESS ROAD PLAN - EAST ADIT ACCESS ROAD
CV-Y1001-E1	ACCESS ROAD PROFILE - FORESTON ACCESS ROAD AND ACCESS ROAD 3 - PORTAL 3
CV-Y1002-E1	ACCESS ROAD PROFILE - EAST ADIT ACCESS ROAD
CV-Y3001-E1	TYPICAL SECTIONS - VALLEY FORGE AND EAST AVE R11
CV-Y3002-E1	TYPICAL SECTIONS - CARSON MESA ACCESS ROAD AND ACCESS ROAD 3
CV-Y3003-E1	TYPICAL SECTIONS - EAST ADIT ACCESS ROAD

VOLUME
II OF II

c:\pwworkingdir\sener-us-pw-bentley.com-us-pw-01\dalfo.cordoba\dms24256.vpb-cv-B0002.dgn

7/21/2021 5:55:14 PM

cordo

REV	DATE	BY	CHK	APP	DESCRIPTION

DESIGNED BY J.C. ALAMILLA
DRAWN BY A. SANZ
CHECKED BY W. GUO
IN CHARGE A. RELANO
DATE 04/30/2021

**PEPD RECORD SET
REV 02

NOT FOR
CONSTRUCTION**



**CALIFORNIA HIGH-SPEED RAIL PROJECT
PALMDALE TO BURBANK**
ALIGNMENT "REFINED SR14/E1/E2"
ROADWAYS AND GRADE SEPARATIONS
INDEX OF DRAWINGS
SHEET 2 OF 3

CONTRACT NO. HSR14-42
DRAWING NO. CV-B0002
SCALE NO SCALE
SHEET NO.

ROADWAY/GRADE SEPARATION SHEETS

E2 CENTRAL SUBSECTION

DRAWING NO.	DRAWING DESCRIPTION
	KEY MAP
CV-B0001-E2	ROADWAY AND GRADE SEPARATION PLAN - KEY MAP - SHEET 1 OF 3
CV-B0002-E2	ROADWAY AND GRADE SEPARATION PLAN - KEY MAP - SHEET 2 OF 3
CV-B0003-E2	ROADWAY AND GRADE SEPARATION PLAN - KEY MAP - SHEET 3 OF 3
	ROADWAY PLANS, PROFILES AND TYPICAL SECTIONS
CV-R4006-E2	ROADWAY PLAN - SIERRA HIGHWAY "SH-1" - SHEET 1 OF 4
CV-R4007-E2	ROADWAY PLAN - SIERRA HIGHWAY "SH-1" AND WATER TREATMENT PLANT ACCESS RD 2 - SHEET 2 OF 4
CV-R4008-E2	ROADWAY PLAN - SIERRA HIGHWAY "SH-1" - SHEET 3 OF 4
CV-R4009-E2	ROADWAY PLAN - SIERRA HIGHWAY "SH-1" - SHEET 4 OF 4
CV-R4018-E2	ROADWAY PLAN - ANGELES FOREST HWY, W CARSON MESA ROAD AND MOUNTAIN SPRINGS RD
CV-R4019-E2	ROADWAY PLAN - ANGELES FOREST HIGHWAY
CV-R4020-E2	ROADWAY PLAN - SIERRA HIGHWAY "SH-2", ANGELES FOREST HIGHWAY AND ROUTE 14 EB OFF-RAMP
CV-R4022-E2	ROADWAY PLAN - SIERRA HIGHWAY "SH-3" AND ROUTE 14 EB ON-RAMP
CV-R4023-E2	ROADWAY PLAN - SIERRA HIGHWAY "SH-3"
CV-R4025-E2	ROADWAY PLAN - WENTWORTH STREET - SHEET 1 OF 3
CV-R4026-E2	ROADWAY PLAN - WENTWORTH STREET - SHEET 2 OF 3
CV-R4027-E2	ROADWAY PLAN - WENTWORTH STREET - SHEET 3 OF 3
CV-R1006-E2	ROADWAY PROFILE - SIERRA HIGHWAY "SH-1" - SHEET 1 OF 4
CV-R1007-E2	ROADWAY PROFILE - SIERRA HIGHWAY "SH-1" - SHEET 2 OF 4
CV-R1008-E2	ROADWAY PROFILE - SIERRA HIGHWAY "SH-1" - SHEET 3 OF 4
CV-R1009-E2	ROADWAY PROFILE - SIERRA HIGHWAY "SH-1" AND WATER TREATMENT PLANT ACCESS RD 2 - SHEET 4 OF 4
CV-R1009A-E2	ROADWAY PROFILE - EAST TENTH STREET
CV-R1010-E2	ROADWAY PROFILE - SIERRA HIGHWAY "SH-2" - SHEET 1 OF 2
CV-R1011-E2	ROADWAY PROFILE - SIERRA HIGHWAY "SH-2" - SHEET 2 OF 2
CV-R1012-E2	ROADWAY PROFILE - SIERRA HIGHWAY "SH-3" - SHEET 1 OF 2
CV-R1013-E2	ROADWAY PROFILE - SIERRA HIGHWAY "SH-3" - SHEET 2 OF 2
CV-R1014-E2	ROADWAY PROFILE - MOUNTAIN SPRINGS ROAD
CV-R1018-E2	ROADWAY PROFILE - ANGELES FOREST HIGHWAY AND W CARSON MESA ROAD
CV-R1019-E2	ROADWAY PROFILE - ANGELES FOREST HIGHWAY - SHEET 1 OF 2
CV-R1020-E2	ROADWAY PROFILE - ANGELES FOREST HIGHWAY - SHEET 2 OF 2
CV-R1021-E2	ROADWAY PROFILE - ROUTE 14 EB OFF-RAMP
CV-R1022-E2	ROADWAY PROFILE - ROUTE 14 EB ON-RAMP
CV-R1023-E2	ROADWAY PROFILE - VALLEY FORGE AND E AVENUE R 11
CV-R1024-E2	ROADWAY PROFILE - CARSON MESA ACCESS ROAD
CV-R1025-E2	ROADWAY PROFILE - WENTWORTH STREET - SHEET 1 OF 3
CV-R1026-E2	ROADWAY PROFILE - WENTWORTH STREET - SHEET 2 OF 3
CV-R1027-E2	ROADWAY PROFILE - WENTWORTH STREET - SHEET 3 OF 3
CV-R3001-E2	TYPICAL SECTIONS - SIERRA HIGHWAY - SHEET 1 OF 2
CV-R3002-E2	TYPICAL SECTIONS - SIERRA HIGHWAY - SHEET 2 OF 2
CV-R3003-E2	TYPICAL SECTIONS - ROUTE 14 EB ON-RAMP AND ROUTE 14 EB OFF-RAMP
CV-R3004-E2	TYPICAL SECTIONS - SIERRA HIGHWAY AND ANGELES FOREST HIGHWAY
CV-R3005-E2	TYPICAL SECTIONS - EAST TENTH STREET AND WATER TREATMENT PLANT ACC RD 2
CV-R3006-E2	TYPICAL SECTIONS - MOUNTAIN SPRINGS ROAD AND W CARSON MESA ROAD
CV-R3007-E2	TYPICAL SECTIONS - WENTWORTH STREET - SHEET 1 OF 2
CV-R3008-E2	TYPICAL SECTIONS - WENTWORTH STREET - SHEET 2 OF 2
	GRADE SEPARATION PLANS, PROFILES AND TYPICAL SECTIONS
CV-T4007-E2	GRADE SEPARATION PLAN - EAST AVENUE S - SHEET 1 OF 3
CV-T4008-E2	GRADE SEPARATION PLAN - EAST AVENUE S - SHEET 2 OF 3
CV-T4009-E2	GRADE SEPARATION PLAN - EAST AVENUE S - SHEET 3 OF 3
CV-T4015-E2	GRADE SEPARATION PLAN - FORESTON DRIVE AND FORESTON ACCESS ROAD
CV-T4016-E2	GRADE SEPARATION PLAN - FORESTON DRIVE
CV-T4017-E2	GRADE SEPARATION PLAN - ALISO CANYON ROAD AND ACCESS ROAD 3
CV-T4018-E2	GRADE SEPARATION PLAN - ALISO CANYON ROAD
CV-T1007-E2	GRADE SEPARATION PROFILE - EAST AVENUE S - SHEET 1 OF 3
CV-T1008-E2	GRADE SEPARATION PROFILE - EAST AVENUE S - SHEET 2 OF 3
CV-T1009-E2	GRADE SEPARATION PROFILE - EAST AVENUE S - SHEET 3 OF 3
CV-T1016-E2	GRADE SEPARATION PROFILE - FORESTON DRIVE - SHEET 1 OF 2
CV-T1017-E2	GRADE SEPARATION PROFILE - FORESTON DRIVE - SHEET 2 OF 2
CV-T1018-E2	GRADE SEPARATION PROFILE - ALISO CANYON ROAD - SHEET 1 OF 2
CV-T1019-E2	GRADE SEPARATION PROFILE - ALISO CANYON ROAD - SHEET 2 OF 2
CV-T3001-E2	TYPICAL SECTIONS - FORESTON DRIVE
CV-T3002-E2	TYPICAL SECTIONS - ALISO CANYON ROAD
CV-T3003-E2	TYPICAL SECTIONS - EAST AVENUE S - SHEET 1 OF 2
CV-T3004-E2	TYPICAL SECTIONS - EAST AVENUE S - SHEET 2 OF 2

VOLUME
II OF II

E2 CENTRAL SUBSECTION

DRAWING NO.	DRAWING DESCRIPTION	
	ACCESS ROAD PLANS, PROFILES AND TYPICAL SECTIONS	
CV-Y4001-E2	ACCESS ROAD PLAN - ACCESS ROAD 4	VOLUME II OF II
CV-Y4002-E2	ACCESS ROAD PLAN - ACCESS ROAD 5	
CV-Y4003-E2	ACCESS ROAD PLAN - WEST ADIT ACCESS ROAD	
CV-Y1001-E2	ACCESS ROAD PROFILE - FORESTON ACCESS ROAD AND ACCESS ROAD 3 - PORTAL 3	
CV-Y1002-E2	ACCESS ROAD PROFILE - ACCESS ROAD 4	
CV-Y1003-E2	ACCESS ROAD PROFILE - ACCESS ROAD 5 AND WEST ADIT ACCESS ROAD	
CV-Y3001-E2	TYPICAL SECTIONS - VALLEY FORGE AND EAST AVE R11	
CV-Y3002-E2	TYPICAL SECTIONS - ACCESS ROAD 4, ACCESS ROAD 5 AND WEST ADIT ACCESS ROAD	
CV-Y3003-E2	TYPICAL SECTIONS - CARSON MESA ACCESS ROAD AND ACCESS ROAD 3	

c:\pwworking\dir\sener-us-pw-bentley.com_sener-us-pw-01\dal\ca\cordoba\dms24256\VPB-CV-B0003.dgn

5/27/2021 7:42:29 AM

cordo

REV	DATE	BY	CHK	APP	DESCRIPTION

DESIGNED BY
J.C. ALAMILLA
DRAWN BY
A. SANZ
CHECKED BY
W. GUO
IN CHARGE
A. RELANO
DATE
04/30/2021

PEPD RECORD SET
REV 02

NOT FOR CONSTRUCTION



CALIFORNIA HIGH-SPEED RAIL PROJECT
PALMDALE TO BURBANK
ALIGNMENT "REFINED SR14/E1/E2"
ROADWAYS AND GRADE SEPARATIONS
INDEX OF DRAWINGS
SHEET 3 OF 3

CONTRACT NO.
HSR14-42
DRAWING NO.
CV-B0003
SCALE
NO SCALE
SHEET NO.

c:\pwworkingdir\sener-us-pw-bentley.com_sener-us-pw-01\dal\ca\cordoba\dms24256\VPB-CV-B0004.dgn

5/2/2021 11:31:57 PM

cordo

A

AB AGGREGATE BASE
 ABN ABANDON
 ABUT ABUTMENT
 AC ASPHALT CONCRETE
 ACB ASPHALT CONCRETE BASE
 ADJ ADJUST
 AHD AHEAD
 ALT ALTERNATE
 AM TIME FROM MIDNIGHT TO NOON
 APPROX APPROXIMATE
 AR ACCESS RESTRICTION
 AS AGGREGATE SUBBASE
 ATPB ASPHALT TREATED PERMEABLE BASE
 ATPM ASPHALT TREATED PERMEABLE MATERIAL
 AVE AVENUE
 AVG AVERAGE
 @ AT

B

BAGR BRIDGE APPROACH GUARD RAILING
 BB BEGINNING OF BRIDGE
 BC BEGIN HORIZONTAL CURVE
 BCR BEGIN CURB RETURN
 BEG BEGIN
 BIT CTD BITUMINOUS COATED
 BK BACK
 BKF BACKFILL
 BLDG BUILDING
 BLVD BOULEVARD
 BM BENCH MARK
 BOT BOTTOM
 B-P BAKERSFIELD TO PALMDALE
 BR BRIDGE
 BRG BEARING
 BVC BEGIN VERTICAL CURVE
 BW BARBED WIRE

C

CAA CABLE ANCHOR ASSEMBLY
 CAS CONSTRUCTION AREA SIGN
 CB CONCRETE BARRIER
 CBW CONCRETE BLOCK WALL
 C-C CENTER TO CENTER
 CHSRA CALIFORNIA HIGH SPEED RAIL AUTHORITY
 CHST CALIFORNIA HIGH SPEED TRAIN
 CHSR CALIFORNIA HIGH SPEED RAIL
 CG CENTER OF GRAVITY
 CHNL CHANNEL
 CI CAST IRON
 CIDH CAST-IN-DRILLED-HOLE
 CL CENTERLINE, CLASS
 CL2 CLASS 2
 CL-6 CHAIN LINK FENCE (6 FT)
 CLR CLEAR, CLEARANCE
 CO COUNTY
 COL COLUMN
 CONC CONCRETE
 CONN CONNECTOR
 CONST CONSTRUCT, CONSTRUCTION
 CONT CONTINUOUS
 COORD COORDINATE

C CONTINUED

CR CREEK
 CRCP CONTINUOUS REINFORCED CONCRETE PAVEMENT
 CRSP CONCRETED ROCK SLOPE PROTECTION
 CS CURVE TO SPIRAL
 CTB CEMENT TREATED BASE
 CTPB CEMENT TREATED PERMEABLE BASE
 CTPM CEMENT TREATED PERMEABLE MATERIAL
 CTRS CENTERS
 C CENTERLINE

D

D DEPTH
 DBL DOUBLE
 DEG DEGREE
 DEL DELINEATOR
 DET DETAIL, DETOUR
 DI DRAINAGE INLET, DROP INLET
 DIA DIAMETER
 DIAPH DIAPHRAGM
 DIST DISTANCE, DISTRICT
 DMBB DOUBLE METAL BEAM BARRIER
 DR DRIVE
 DTBB DOUBLE THRIE BEAM BARRIER
 DWY DRIVEWAY

E

E EAST, EASTING
 EA ACTUAL SUPERELEVATION
 EU UNBALANCED SUPERELEVATION
 EASE EASEMENT
 EB END OF BRIDGE
 EC END HORIZONTAL CURVE
 ECR END CURB RETURN
 ELEV ELEVATION
 ELLN EXTRALEGAL LEAD NETWORK
 EMB EMBANKMENT
 ENGR ENGINEER
 EOD EDGE OF DECK
 EP EDGE OF PAVEMENT
 EQ EQUATION, EQUAL
 ES EDGE OF SHOULDER
 ETW EDGE OF TRAVELED WAY
 EVC END VERTICAL CURVE
 EW ENDWALL
 EXC EXCAVATION
 EXIST, EX. EXISTING
 EXP EXPANSION
 EXP JT EXPANSION JOINT
 EXWY EXPRESSWAY
 EXT EXTERIOR

F

FEBT FACING EASTBOUND TRAFFIC
 FG FINISHED GRADE
 FL FLOW LINE
 FNBT FACING NORTHBOUND TRAFFIC
 FOC FACE OF CONCRETE
 FR RD FRONTAGE ROAD
 FS FAR SIDE, FINISHED SURFACE
 FSBT FACING SOUTHBOUND TRAFFIC
 FT FOOT, FEET

F CONTINUED

FTG FOOTING
 FWBT FACING WESTBOUND TRAFFIC
 FWY FREEWAY

G

GP GRADING PLANE
 GR GUARD RAILING
 GSP GALVANIZED STEEL PIPE
 GTR GUTTER

H

H HEIGHT
 HDC HIGH DESERT CORRIDOR
 HR HOUR
 HMA HOT MIXED ASPHALT
 HORIZ HORIZONTAL
 HP HINGE POINT, HORSEPOWER
 HST HIGH SPEED TRAIN
 HSR HIGH SPEED RAIL
 HWY HIGHWAY

I

IB IMPORTED BORROW
 ID INSIDE DIAMETER
 IF INSIDE FACE
 IN INCH, INCHES
 INT INTERIOR
 INV INVERT
 IRR IRRIGATION

J

JCT JUNCTION
 JPCP JOINTED PLAIN CONCRETE PAVEMENT
 JT JOINT

K

K DISTANCE TO ACHIEVE 1% GRADE CHANGE

L

L LENGTH
 LAT LATITUDE
 LCB LEAN CONCRETE BASE
 LMF LIGHT MAINTENANCE FACILITY
 LN LANE
 LOC LOCATION
 LOL LAYOUT LINE
 LONG LONGITUDE
 LONGIT LONGITUDINAL
 LT LEFT

M

MAINT MAINTENANCE
 MAX MAXIMUM
 MB METAL BEAM
 MBB METAL BEAM BARRIER
 MBGR METAL BEAM GUARD RAILING
 MED MEDIAN
 MIN MINIMUM
 MISC MISCELLANEOUS
 M/L MAIN LINE (RAILWAY)
 MOD MODIFIED, MODIFY
 MON MONUMENT

M CONTINUED

MP METAL PLATE
 MPGR METAL PLATE GUARD RAILING
 MPH MILES PER HOUR
 MSE MECHANICALLY STABILIZED EARTH
 MTL MATERIAL
 MT MAIN TRACK

N

N NORTH, NORTHING
 NB NORTHBOUND
 NO. NUMBER (MUST HAVE PERIOD)
 NOS. NUMBERS (MUST HAVE PERIOD)
 NS NEAR SIDE
 NTS NOT TO SCALE
 N/A NOT APPLICABLE

O

OBLR OBLITERATE
 OC OVERCROSSING
 OD OUTSIDE DIAMETER
 OF OUTSIDE FACE
 OG ORIGINAL GROUND
 OGAC OPEN GRADED ASPHALT CONCRETE
 OH OVERHEAD

P

P PAGE
 PB PULL BOX
 P-B PALMDALE TO BURBANK
 PC POINT OF CURVATURE, PRECAST
 PCC POINT OF COMPOUND CURVE, PORTLAND CEMENT CONCRETE PERFORATED CONCRETE PIPE, PRESTRESSED CONCRETE PIPE

PCV POINT OF COMPOUND VERTICAL CURVE
 PCVC POINT OF COMPOUND VERTICAL CURVE
 PED PEDESTRIAN
 PED OC PEDESTRIAN OVERCROSSING
 PED UC PEDESTRIAN UNDERCROSSING
 PG PROFILE GRADE
 PI POINT OF INTERSECTION
 PJP PARTIAL JOINT PENETRATION
 PL, PL PLATE
 P/L PROPERTY LINE
 PM POST MILE, TIME FROM NOON TO MIDNIGHT
 PN PAVING NOTCH
 POB POINT OF BEGINNING
 POC POINT OF HORIZONTAL CURVE
 POE POINT OF ENDING
 POT POINT OF TANGENT
 POVC POINT OF VERTICAL CURVE
 PP PIPE PILE, PLASTIC PIPE, POWER POLE
 PPEF PROPOSED PERMANENT ENVIRONMENTAL FOOTPRINT

PRC POINT OF REVERSE CURVE
 PROP PROPOSED
 PRF POINT OF VERTICAL CURVE
 PRVC PAVEMENT REINFORCING FABRIC
 PS&E POINT OF REVERSE VERTICAL CURVE
 PS,P/S PLANS, SPECIFICATIONS AND ESTIMATES
 PSP PRESTRESSED, PARALLEL STATION
 PT POINT OF TANGENCY
 PVI POINT OF VERTICAL INTERSECTION

P CONTINUED

PVMT PAVEMENT
 PVP MAINTENANCE VEHICLE PULLOUT PAVEMENT
 PVP MAINTENANCE VEHICLE PULLOUT

Q

QTY QUANTITY

R

R RADIUS
 RD ROAD
 REINF REINFORCED, REINFORCEMENT, REINFORCING
 RELOCATE RELOCATE
 REPL REPLACEMENT
 RET RETAINING
 REV REVISED
 RDWY ROADWAY
 RM ROAD-MIXED
 RP RADIUS POINT, REFERENCE POINT
 RR RAILROAD
 RSP ROCK SLOPE PROTECTION
 RT RIGHT
 RTE ROUTE
 RW REDWOOD, RETAINING WALL
 R/W RIGHT OF WAY
 RWY RAILWAY

S

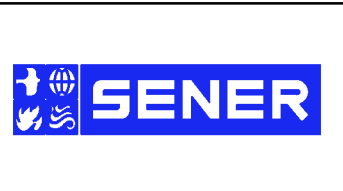
S SOUTH, SUPPLEMENT
 SAE STRUCTURE APPROACH EMBANKMENT
 SALV SALVAGE

SB SOUTHBOUND
 SC SPIRAL TO CURVE
 SCRRRA SOUTHERN CALIFORNIA REGIONAL RAIL AUTHORITY
 SD STORM DRAIN
 SEC SECOND
 SECT SECTION
 SEP SEPARATION
 SG SUBGRADE
 SHLD SHOULDER
 SHT SHEET
 SIM SIMILAR
 S STATION LINE
 SM SELECTED MATERIAL
 SPEC SPECIAL, SPECIFICATIONS
 SS SLOPE STAKE, SPIRAL TO SPIRAL
 SR STATE ROUTE
 ST STREET, SPIRAL TO TANGENT
 STA STATION
 STBB SINGLE THRIE BEAM BARRIER
 STD STANDARD
 STR STRUCTURE
 SRS STAND ALONE RADIO SITE
 SURF SURFACING
 SW SIDEWALK, SOUND WALL
 SWR SEWER
 SWS SWITCHING STATION

REV	DATE	BY	CHK	APP	DESCRIPTION

DESIGNED BY
J.C. ALAMILLA
 DRAWN BY
A. SANZ
 CHECKED BY
W. GUO
 IN CHARGE
A. RELANO
 DATE
04/30/2021

PEPD RECORD SET
 REV 02
NOT FOR CONSTRUCTION



CALIFORNIA HIGH-SPEED RAIL PROJECT
PALMDALE TO BURBANK
 ALIGNMENT "REFINED SR14/E1/E2"
 ROADWAYS AND GRADE SEPARATIONS
 ABBREVIATIONS

CONTRACT NO.
HSR14-42
 DRAWING NO.
CV-B0004
 SCALE
NO SCALE
 SHEET NO.

S CONTINUED

Y

GENERAL NOTES

- 1. THE FOLLOWING ARE ROADWAY DESIGN STANDARD AND GUIDELINES:
A. CALTRANS HIGHWAY DESIGN MANUAL (2016)
B. AASHTO ROADSIDE DESIGN GUIDE (2011)
C. APPLICABLE LOCAL DESIGN STANDARD AND GUIDELINES (I.E., CITY OF PALMDALE)
2. STA 296+82.67 (SPRUCE CT) IS THE NORTHERN LIMIT OF THE PALMDALE-BURBANK ENVIRONMENTAL DOCUMENT...

LEGEND

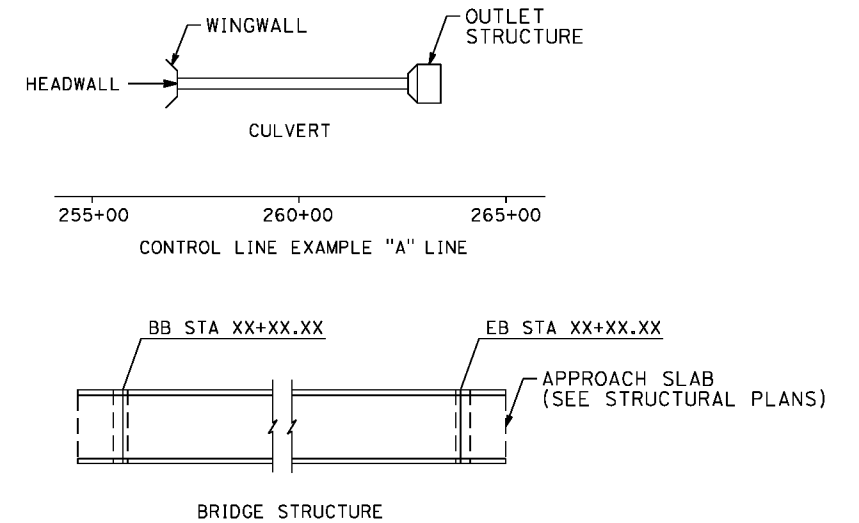
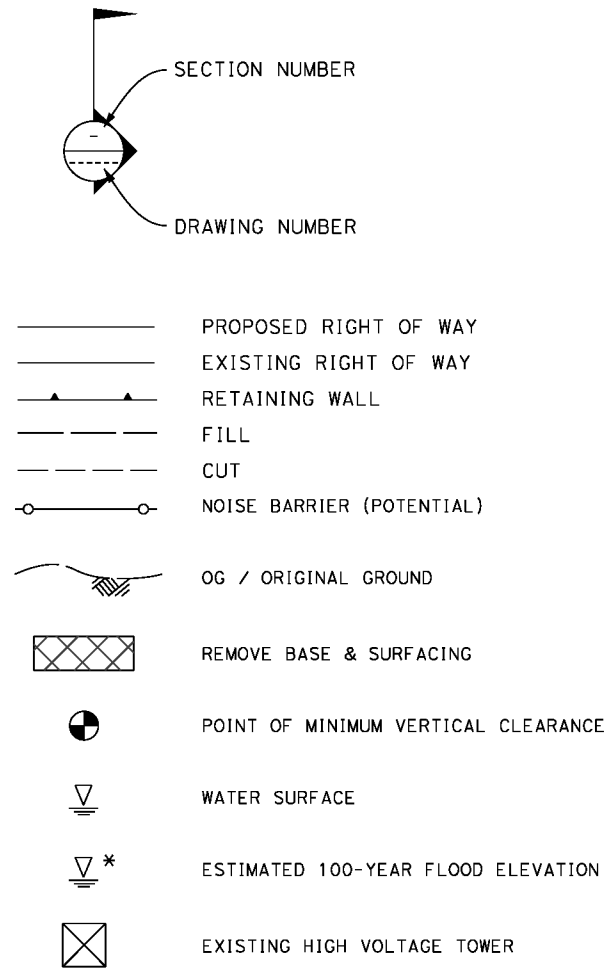


Table of abbreviations and their meanings: SYM SYMMETRICAL, T TANGENT, TAN TANGENT, TBB THRIE BEAM BARRIER, TC TOP OF CURB, TCE TEMPORARY CONSTRUCTION ENTRANCE, TEL TELEPHONE, TEMP TEMPORARY, TG TOP OF GRADE, TM TECHNICAL MEMORANDUM, TOT TOTAL, TP TELEPHONE POLE, TPB TREATED PERMEABLE BASE, TPM TREATED PERMEABLE MATERIAL, TPSS TRACTION POWER SUPPLY STATION, TRANS TRANSITION, TRANSVERSE, TS TRAFFIC SIGNAL, TUBULAR STEEL, TANGENT TO SPIRAL, TYP TYPICAL, TOR TOP OF RAIL, UC UNDERCROSSING, UD UNDERDRAIN, UON UNLESS OTHERWISE NOTED, UP UNDERPASS, UPRR UNION PACIFIC RAILROAD, USFWS UNITED STATES FISH AND WILDLIFE SERVICE, V VALVE, DESIGN SPEED, VAR VARIABLE, VC VERTICAL CURVE, VERT VERTICAL, VIA VIADUCT, VOL VOLUME, W WEST, WIDTH, WB WESTBOUND, WH WEEP HOLE, WM WIRE MESH, WS WATER SURFACE, WT WEIGHT, WW WINGWALL, WWLOL WINGWALL LAYOUT LINE, W/ WITH, X SEC CROSS SECTION, XING CROSSING

Vertical text on the left margin: c:\pwworkingdir\sener-us-pw-bentley.com_sener-us-pw-01\dal\ta\cordoba\dms24256\VPB-CV-B0005.dgn

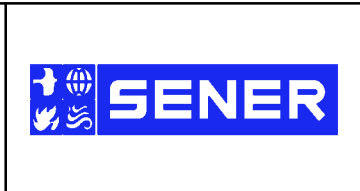
Vertical text on the left margin: 5/19/2021 6:03:43 PM

Vertical text on the left margin: cordo

Revision table with columns: REV, DATE, BY, CHK, APP, DESCRIPTION

Design information table: DESIGNED BY J.C. ALAMILLA, DRAWN BY A. SANZ, CHECKED BY W. GUO, IN CHARGE A. RELANO, DATE 04/30/2021

PEPD RECORD SET REV 02 NOT FOR CONSTRUCTION



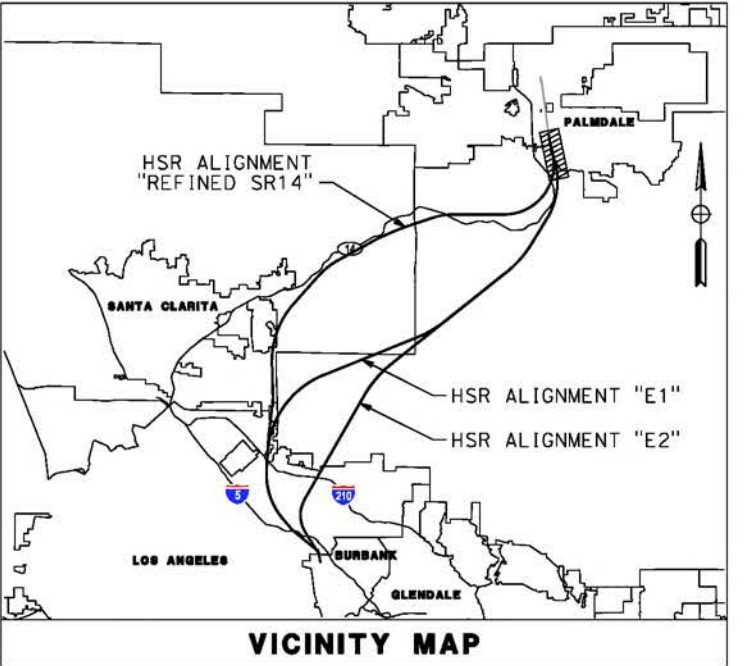
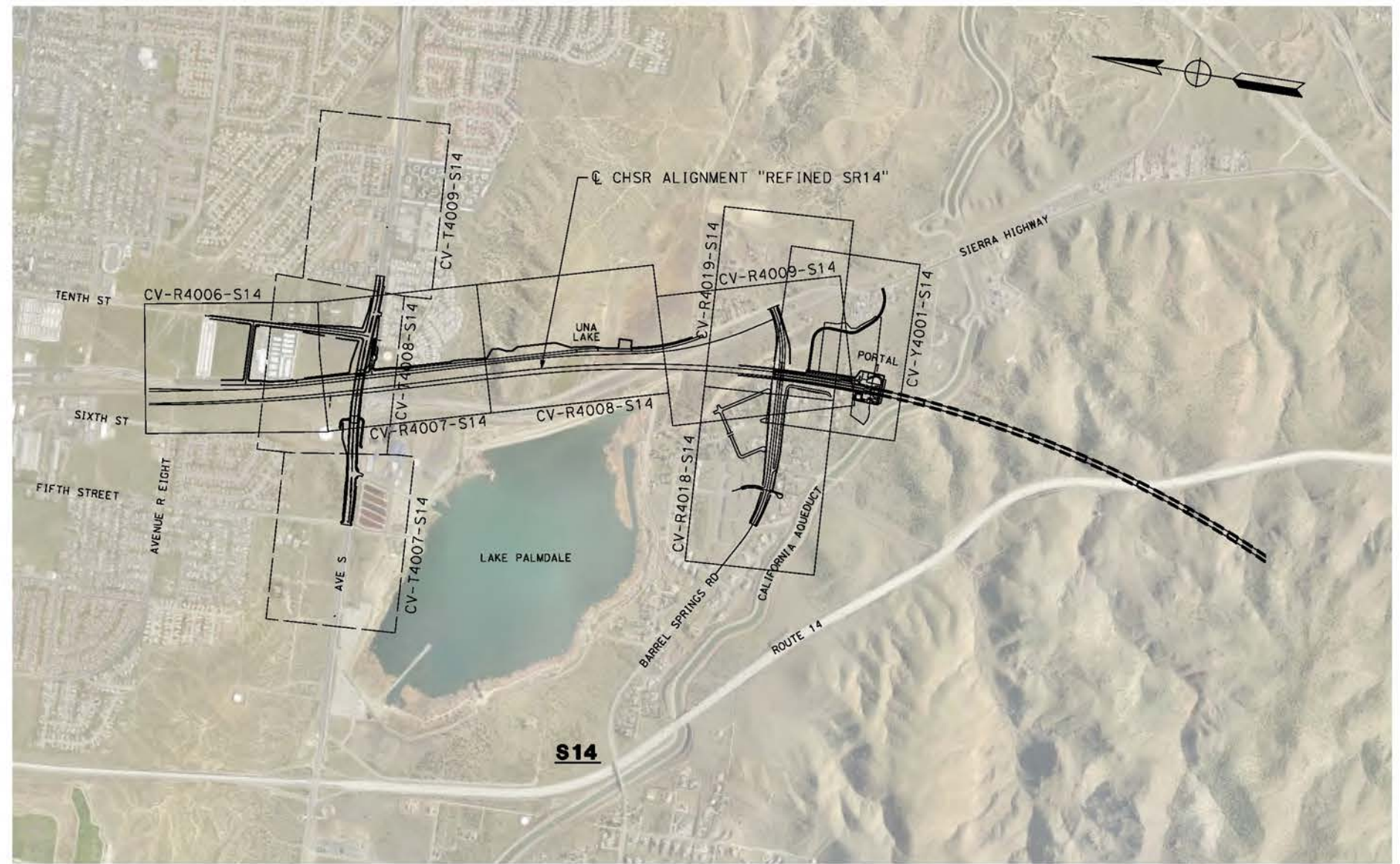
CALIFORNIA HIGH-SPEED RAIL PROJECT PALMDALE TO BURBANK ALIGNMENT "REFINED SR14/E1/E2" ROADWAYS AND GRADE SEPARATIONS ABBREVIATIONS AND LEGEND

Contract and drawing information table: CONTRACT NO. HSR14-42, DRAWING NO. CV-B0005, SCALE NO SCALE, SHEET NO.

cs:\pwworkingdir\sener-us-pw-bentley.com_sener-us-pw-01\dalifo.cordoba\dms24258VPB-CV-B0001-S14.dgn

5/21/2021 9:00:14 AM

cordo



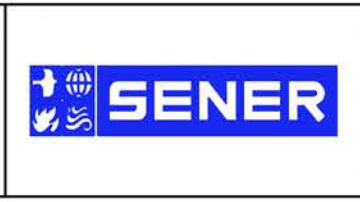
LEGEND:
 [Solid Line] ROADWAY PLAN AND ACCESS ROAD PLAN
 [Dashed Line] GRADE SEPARATION PLAN



REV	DATE	BY	CHK	APP	DESCRIPTION

DESIGNED BY
J.C. ALAMILLA
 DRAWN BY
A. SANZ
 CHECKED BY
W. GUO
 IN CHARGE
A. RELANO
 DATE
04/30/2021

PEPD RECORD SET
 REV 02
NOT FOR CONSTRUCTION



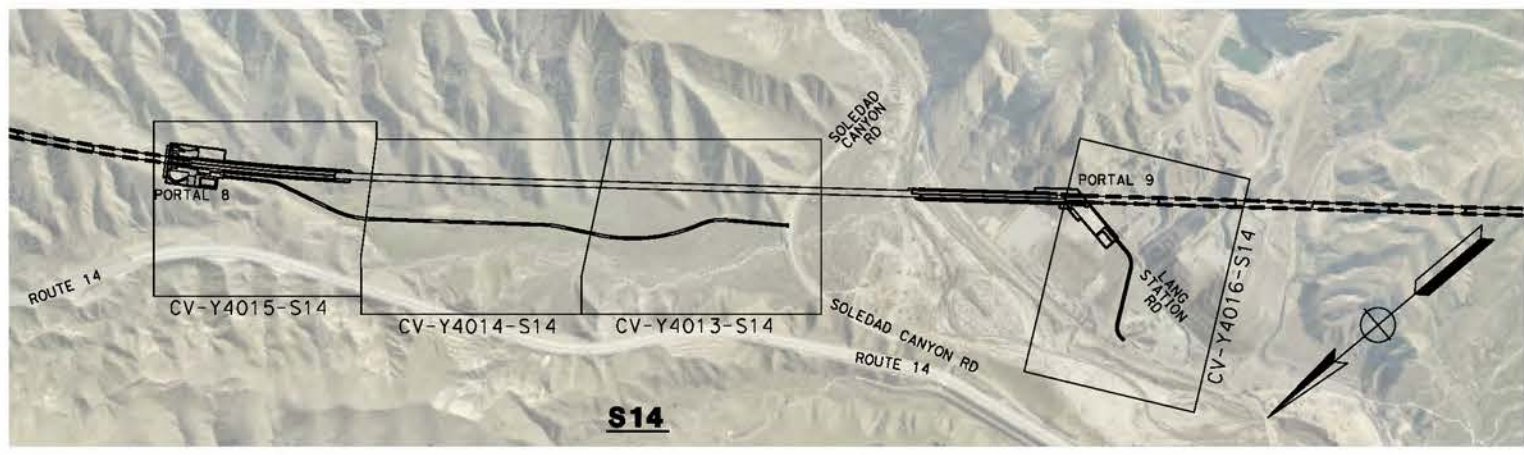
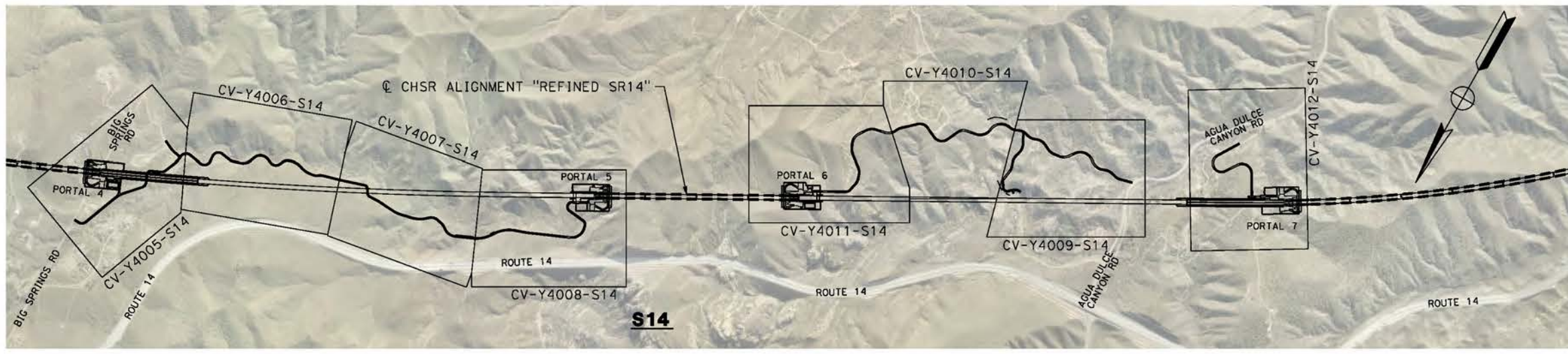
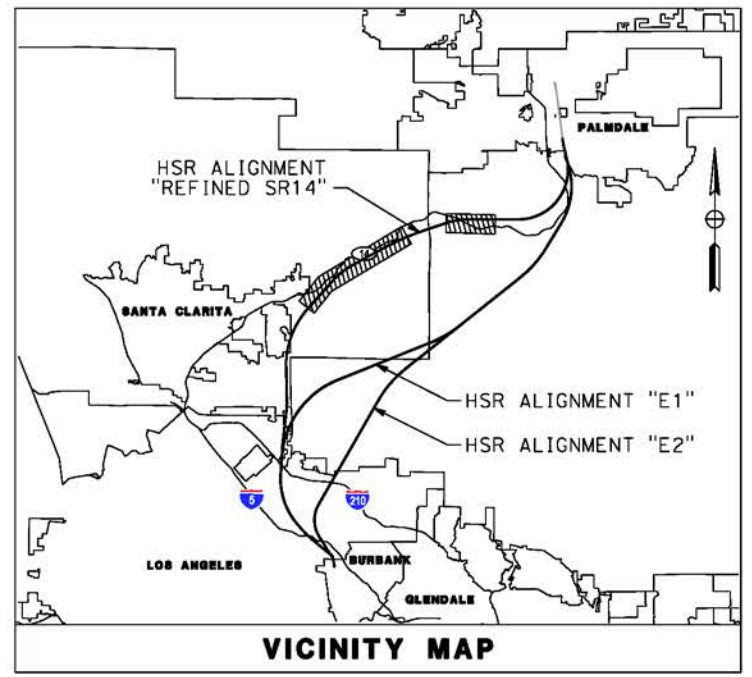
CALIFORNIA HIGH-SPEED RAIL PROJECT
PALMDALE TO BURBANK
 ALIGNMENT "REFINED SR14"
 ROADWAY AND GRADE SEPARATION PLAN
 KEY MAP
 SHEET 1 OF 4

CONTRACT NO.
HSR14-42
 DRAWING NO.
CV-B0001-S14
 SCALE
AS SHOWN
 SHEET NO.

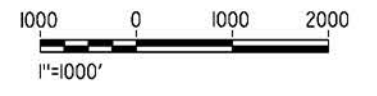
ct:\pwworkingdir\sener-us-pw-bentley.com_sener-us-pw-01\dal\ca\cordoba\dms24258VPB-CV-B0002-S14.dgn

5/21/2021 9:04:25 AM

cordo



LEGEND:
 ROADWAY PLAN AND ACCESS ROAD PLAN



REV	DATE	BY	CHK	APP	DESCRIPTION

DESIGNED BY
J.C. ALAMILLA
 DRAWN BY
A. SANZ
 CHECKED BY
W. GUO
 IN CHARGE
A. RELANO
 DATE
04/30/2021

**PEPD RECORD SET
 REV 02
 NOT FOR
 CONSTRUCTION**

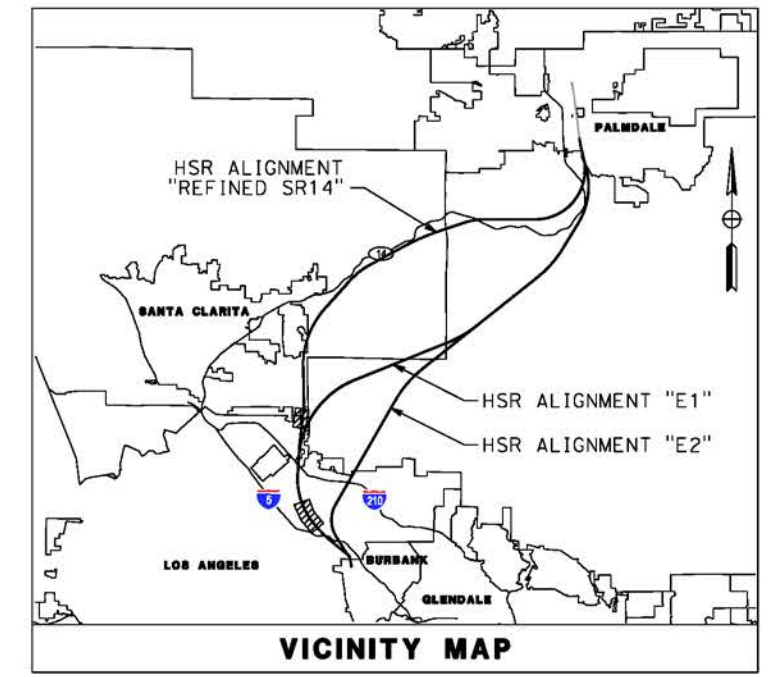
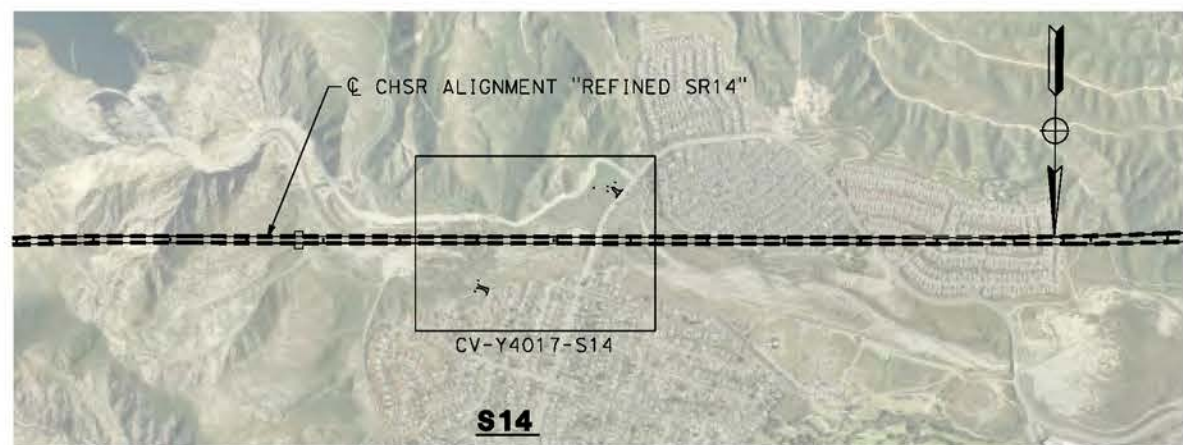


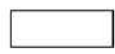

CALIFORNIA HIGH-SPEED RAIL PROJECT PALMDALE TO BURBANK ALIGNMENT "REFINED SR14" ROADWAY AND GRADE SEPARATION PLAN KEY MAP SHEET 2 OF 4	CONTRACT NO. HSR14-42
	DRAWING NO. CV-B0002-S14
	SCALE AS SHOWN
	SHEET NO.

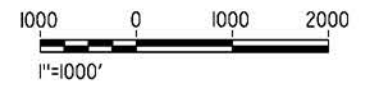
c:\pwworkingdir\sener-us-pw-bentley.com_sener-us-pw-01\dalila.cordoba\dms24258VPB-CV-B0003-S14.dgn

5/21/2021 9:09:23 AM

cordo



LEGEND:
 ROADWAY PLAN AND ACCESS ROAD PLAN
 GRADE SEPARATION PLAN



REV	DATE	BY	CHK	APP	DESCRIPTION

DESIGNED BY
J.C. ALAMILLA
 DRAWN BY
A. SANZ
 CHECKED BY
W. GUO
 IN CHARGE
A. RELANO
 DATE
04/30/2021

**PEPD RECORD SET
 REV 02
 NOT FOR
 CONSTRUCTION**



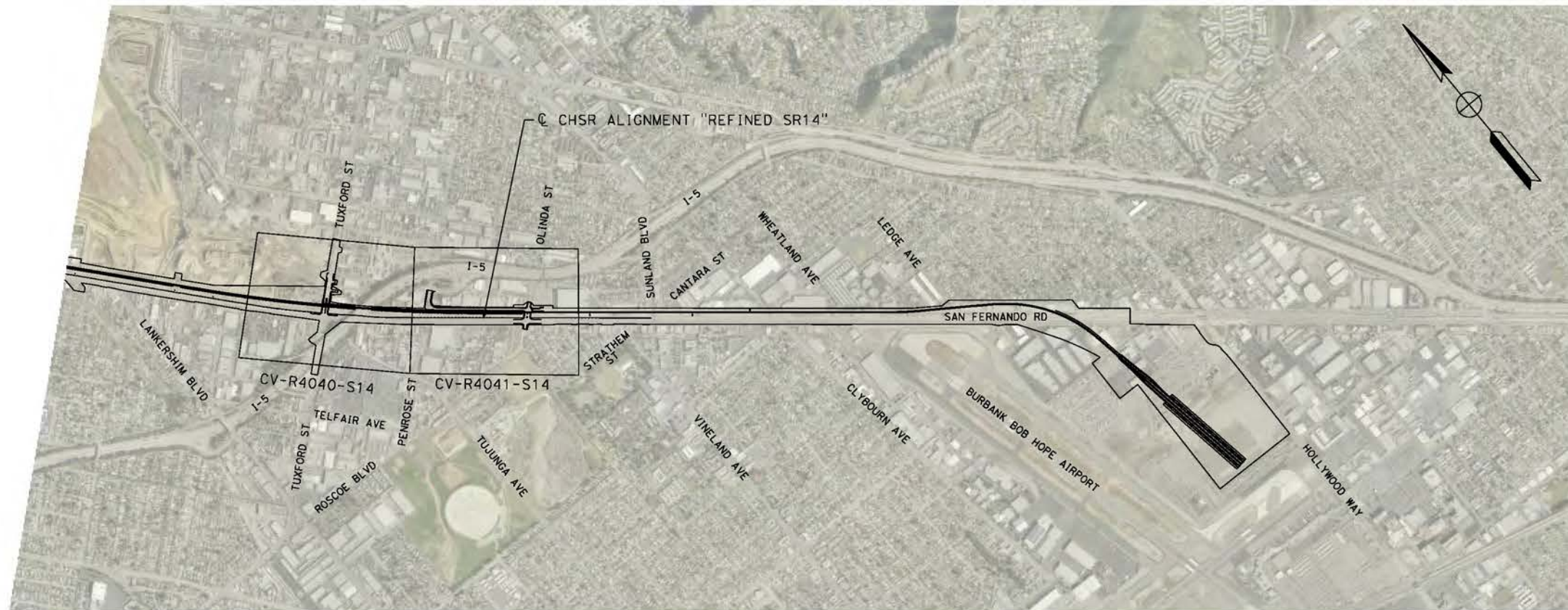
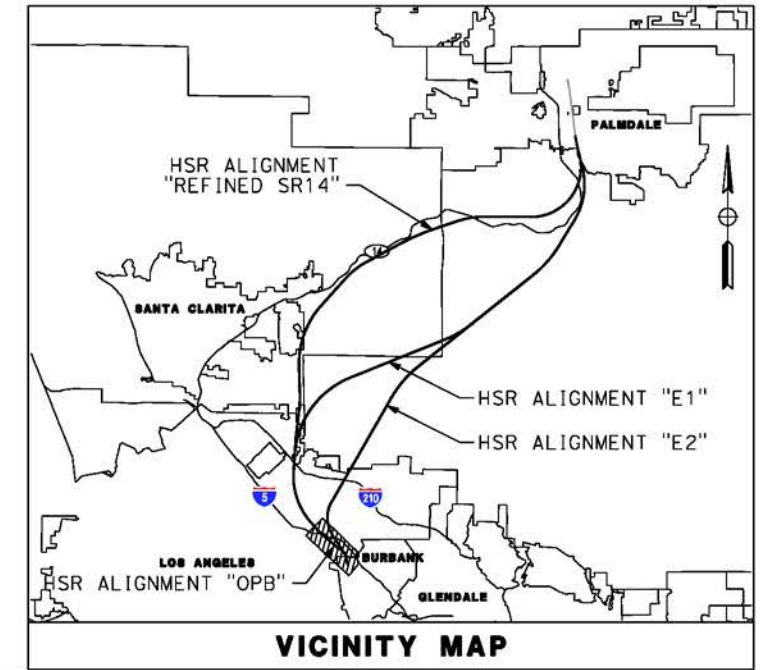
**CALIFORNIA HIGH-SPEED RAIL PROJECT
 PALMDALE TO BURBANK**
 ALIGNMENT "REFINED SR14"
 ROADWAY AND GRADE SEPARATION PLAN
 KEY MAP
 SHEET 3 OF 4

CONTRACT NO.
HSR14-42
 DRAWING NO.
CV-B0003-S14
 SCALE
AS SHOWN
 SHEET NO.

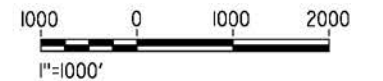
ct:\pwworking\ir\sener-us-pw-bentley.com_sener-us-pw-01\dalio.cordoba\dms24258\VPB-CV-B0004-S14.dgn

5/21/2021 9:14:57 AM

cordo



LEGEND:
 ROADWAY PLAN



S14

REV	DATE	BY	CHK	APP	DESCRIPTION

DESIGNED BY
J.C. ALAMILLA
 DRAWN BY
A. SANZ
 CHECKED BY
W. GUO
 IN CHARGE
A. RELANO
 DATE
04/30/2021

**PEPD RECORD SET
 REV 02
 NOT FOR
 CONSTRUCTION**



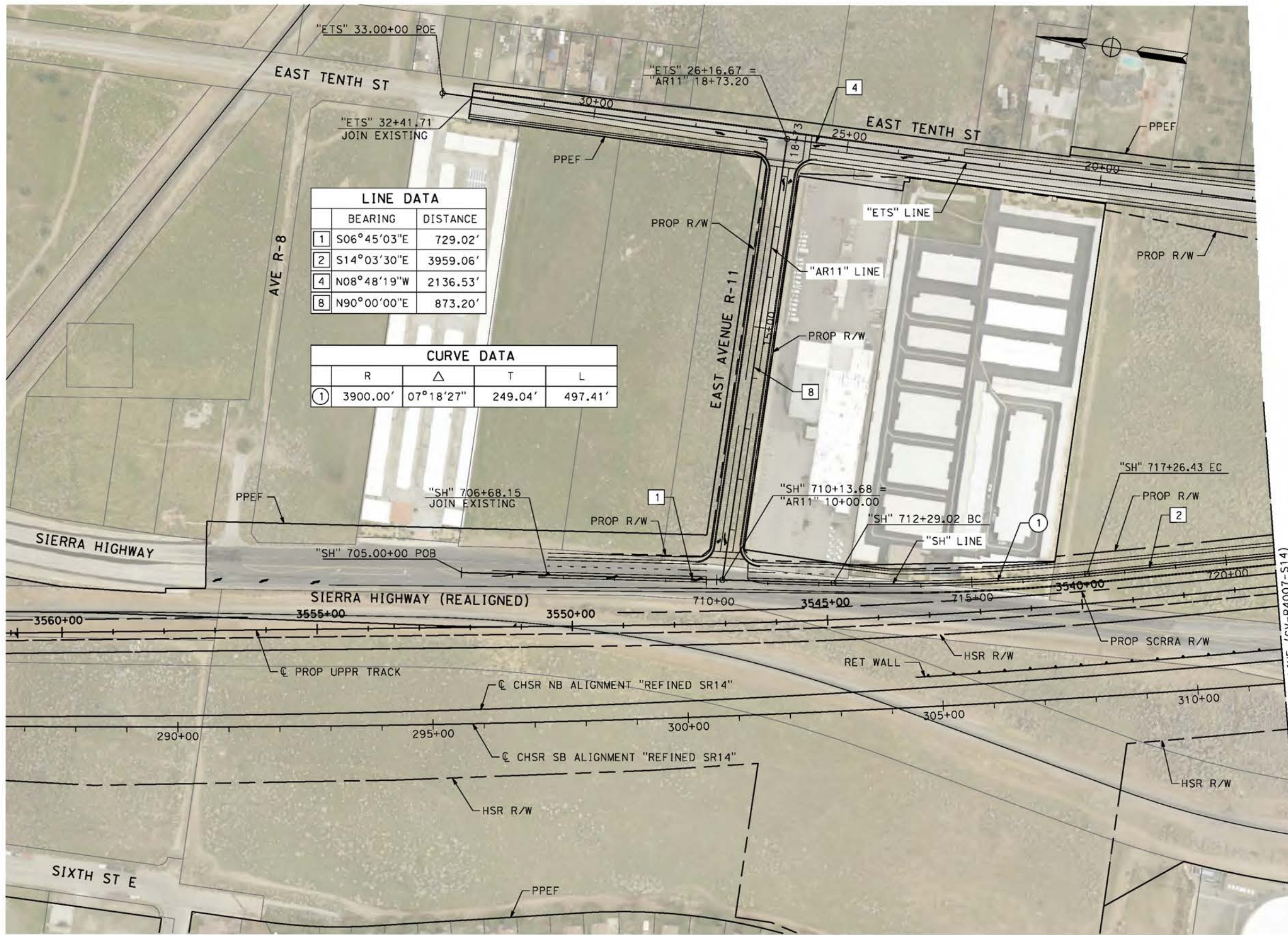
**CALIFORNIA HIGH-SPEED RAIL PROJECT
 PALMDALE TO BURBANK**
 ALIGNMENT "REFINED SR14"
 ROADWAY AND GRADE SEPARATION PLAN
 KEY MAP
 SHEET 4 OF 4

CONTRACT NO.
HSR14-42
 DRAWING NO.
CV-B0004-S14
 SCALE
AS SHOWN
 SHEET NO.

ct:\pwworkingdir\sener-us-pw-bentley.com_sener-us-pw-01\dal\to.cordoba\dms24258\VPB-CV-R4006-S14.dgn

5/2/2021 1:26:44 PM

cordo



LINE DATA		
	BEARING	DISTANCE
1	S06°45'03"E	729.02'
2	S14°03'30"E	3959.06'
4	N08°48'19"W	2136.53'
8	N90°00'00"E	873.20'

CURVE DATA				
	R	Δ	T	L
①	3900.00'	07°18'27"	249.04'	497.41'

REV	DATE	BY	CHK	APP	DESCRIPTION

DESIGNED BY
J.C. ALAMILLA
DRAWN BY
A. SANZ
CHECKED BY
W. GUO
IN CHARGE
A. RELANO
DATE
04/30/2021

PEPD RECORD SET
REV 02
NOT FOR CONSTRUCTION

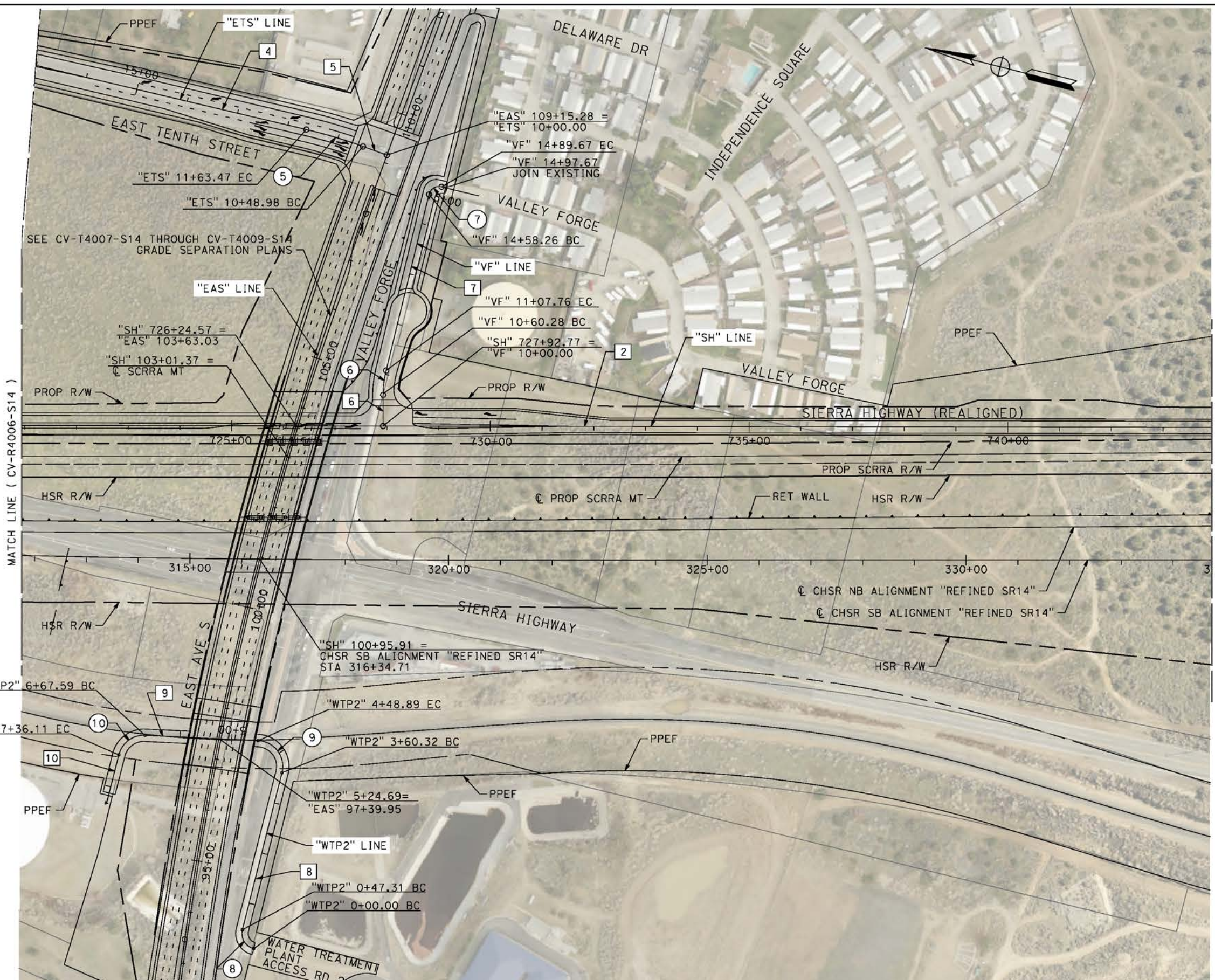


CALIFORNIA HIGH-SPEED RAIL PROJECT
PALMDALE TO BURBANK
ALIGNMENT "REFINED SR14"
ROADWAY PLAN
SIERRA HIGHWAY
SHEET 1 OF 4

CONTRACT NO.
HSR14-42
DRAWING NO.
CV-R4006-S14
SCALE
AS SHOWN
SHEET NO.

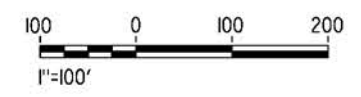
5/26/2021 5:37:54 PM c:\pwworkingdir\sener-us-pw-bentley.com_sener-us-pw-01\dal\cordoba\dms24258VPB-cv-r4007-s14.dgn

cordo



LINE DATA		
	BEARING	DISTANCE
2	S14°03'30"E	3959.06'
4	N08°48'19"W	2136.53'
5	N05°45'15"E	48.95'
6	N75°56'30"E	60.28'
7	N89°32'35"E	350.50'
8	S90°00'00"E	313.01'
9	N11°29'20"W	218.71'
10	N90°00'00"W	81.31'

CURVE DATA				
	R	Δ	T	L
5	1000.00'	06°33'34"	57.30'	114.48'
6	20.00'	13°36'05"	23.85'	47.48'
7	20.00'	90°00'00"	20.00'	31.42'
8	30.00'	90°21'40"	30.19'	47.13'
9	50.00'	101°29'20"	61.18'	88.56'
10	50.00'	78°30'39"	40.86'	114.48'



REV	DATE	BY	CHK	APP	DESCRIPTION

DESIGNED BY
J.C. ALAMILLA
DRAWN BY
A. SANZ
CHECKED BY
W. GUO
IN CHARGE
A. RELANO
DATE
04/30/2021

PEPD RECORD SET
REV 02

NOT FOR CONSTRUCTION



CALIFORNIA HIGH-SPEED RAIL PROJECT
PALMDALE TO BURBANK
ALIGNMENT "REFINED SR14"
ROADWAY PLAN
SIERRA HIGHWAY AND WATER TREATMENT PLANT ACCESS RD 2
SHEET 2 OF 4

CONTRACT NO.
HSR14-42
DRAWING NO.
CV-R4007-S14
SCALE
AS SHOWN
SHEET NO.

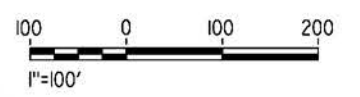
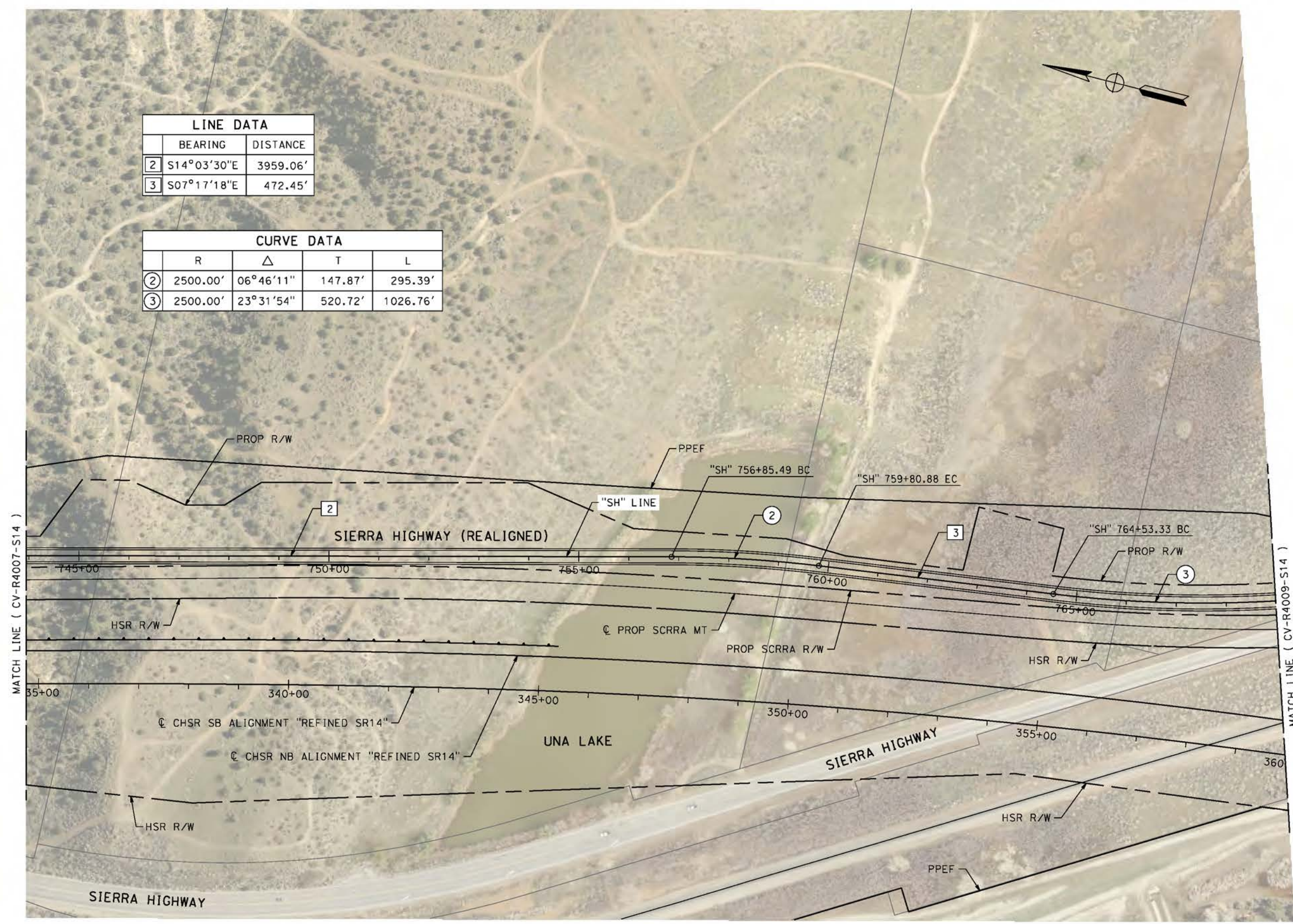
ct:\pwworkingdir\sener-us-pw-bentley.com_sener-us-pw-01\dal\cordoba\dms24258VPB-CV-R4008-S14.dgn

4/30/2021 7:31:31 PM

cordo

LINE DATA		
	BEARING	DISTANCE
2	S14°03'30"E	3959.06'
3	S07°17'18"E	472.45'

CURVE DATA				
	R	Δ	T	L
2	2500.00'	06°46'11"	147.87'	295.39'
3	2500.00'	23°31'54"	520.72'	1026.76'



REV	DATE	BY	CHK	APP	DESCRIPTION

DESIGNED BY
J.C. ALAMILLA

DRAWN BY
A. SANZ

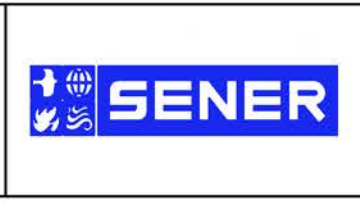
CHECKED BY
W. GUO

IN CHARGE
A. RELANO

DATE
04/30/2021

PEPD RECORD SET
REV 02

NOT FOR CONSTRUCTION



CALIFORNIA HIGH-SPEED RAIL PROJECT
PALMDALE TO BURBANK
ALIGNMENT "REFINED SR14"
ROADWAY PLAN
SIERRA HIGHWAY
SHEET 3 OF 4

CONTRACT NO.
HSR14-42

DRAWING NO.
CV-R4008-S14

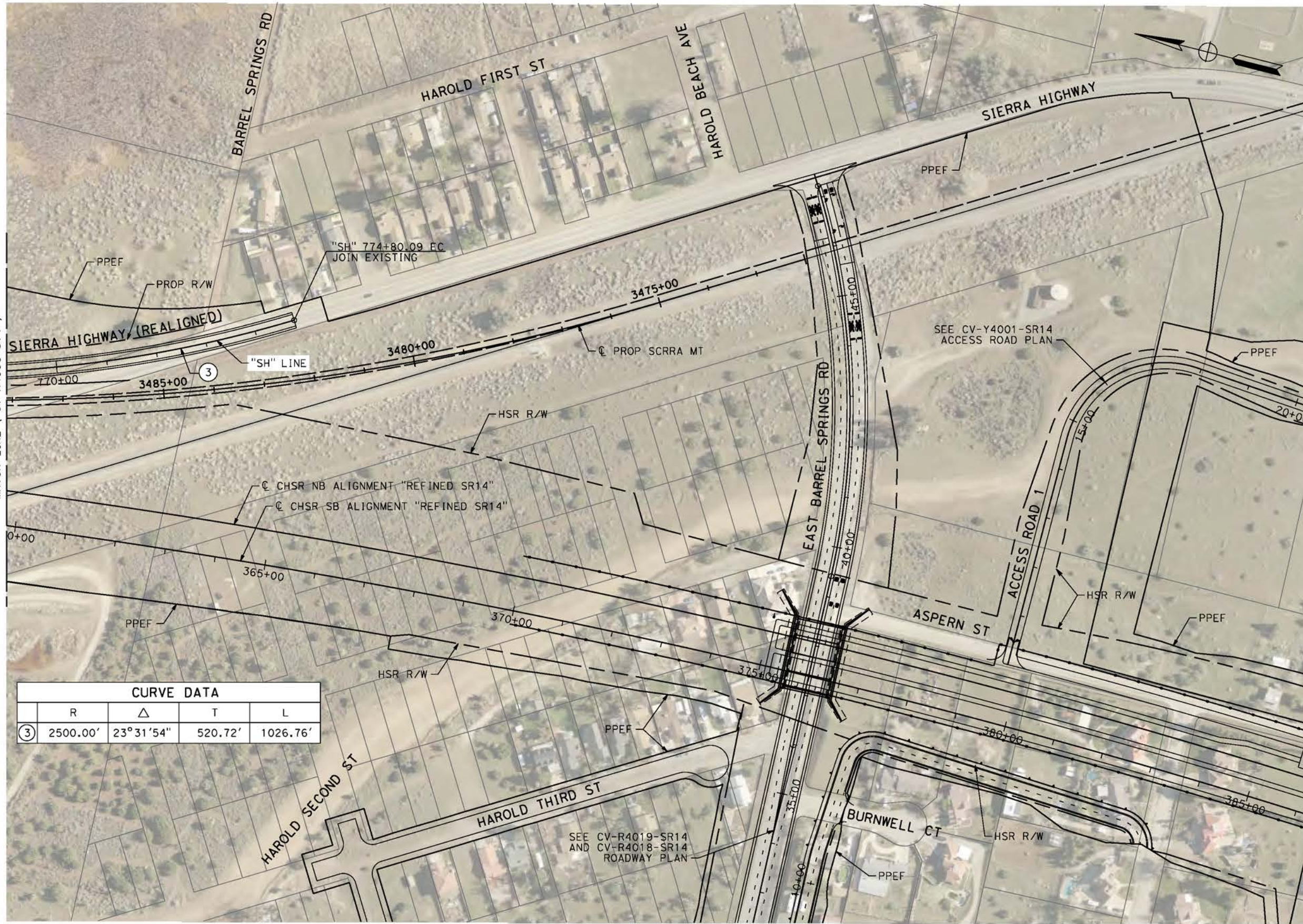
SCALE
AS SHOWN

SHEET NO.

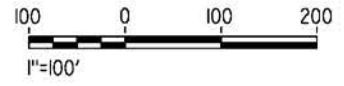
ct:\pwworkingdir\sener-us-pw-bentley.com_sener-us-pw-01\dal\to.cordoba\dms24258VPB-CV-R4009-S14.dgn

5/2/2021 1:11:59 PM

cordo



CURVE DATA				
	R	Δ	T	L
③	2500.00'	23°31'54"	520.72'	1026.76'



REV	DATE	BY	CHK	APP	DESCRIPTION

DESIGNED BY
J.C. ALAMILLA
DRAWN BY
A. SANZ
CHECKED BY
W. GUO
IN CHARGE
A. RELANO
DATE
04/30/2021

PEPD RECORD SET
REV 02
NOT FOR CONSTRUCTION



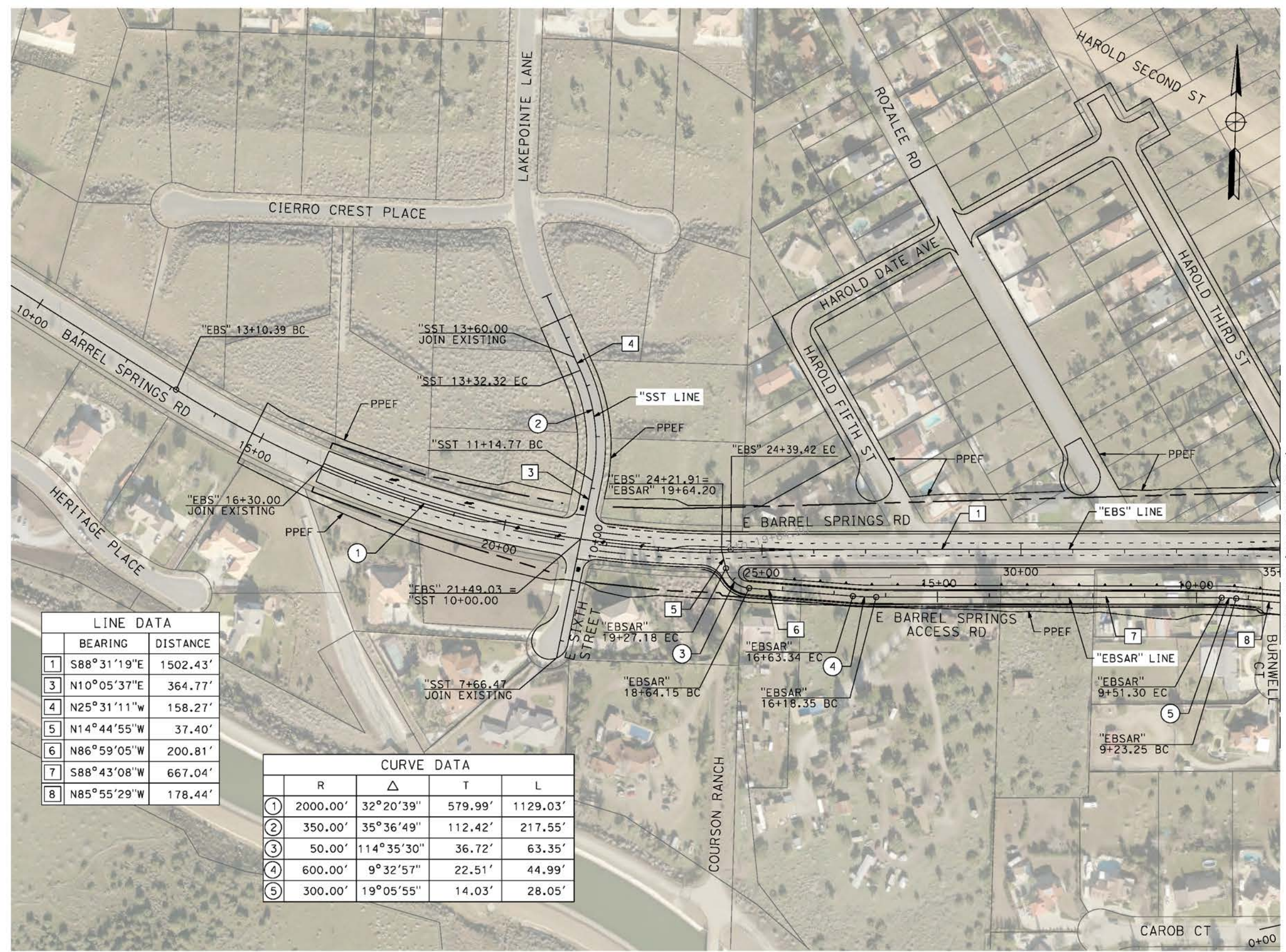
CALIFORNIA HIGH-SPEED RAIL PROJECT
PALMDALE TO BURBANK
ALIGNMENT "REFINED SR14"
ROADWAY PLAN
SIERRA HIGHWAY
SHEET 4 OF 4

CONTRACT NO.
HSR14-42
DRAWING NO.
CV-R4009-S14
SCALE
AS SHOWN
SHEET NO.

ct:\pwworkingdir\sener-us-pw-bentley.com_sener-us-pw-01\dalfo.cordoba\dms24258VPB-CV-R4018-S14.dgn

5/26/2021 7:21:38 PM

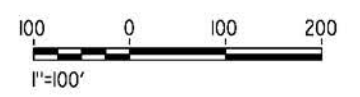
cordo



MATCH LINE (CV-R4019-S14)

LINE DATA		
	BEARING	DISTANCE
1	S88°31'19"E	1502.43'
3	N10°05'37"E	364.77'
4	N25°31'11"W	158.27'
5	N14°44'55"W	37.40'
6	N86°59'05"W	200.81'
7	S88°43'08"W	667.04'
8	N85°55'29"W	178.44'

CURVE DATA				
	R	Δ	T	L
1	2000.00'	32°20'39"	579.99'	1129.03'
2	350.00'	35°36'49"	112.42'	217.55'
3	50.00'	114°35'30"	36.72'	63.35'
4	600.00'	9°32'57"	22.51'	44.99'
5	300.00'	19°05'55"	14.03'	28.05'



REV	DATE	BY	CHK	APP	DESCRIPTION

DESIGNED BY
J.C. ALAMILLA
DRAWN BY
A. SANZ
CHECKED BY
W. GUO
IN CHARGE
A. RELANO
DATE
04/30/2021

PEPD RECORD SET
REV 02

NOT FOR CONSTRUCTION



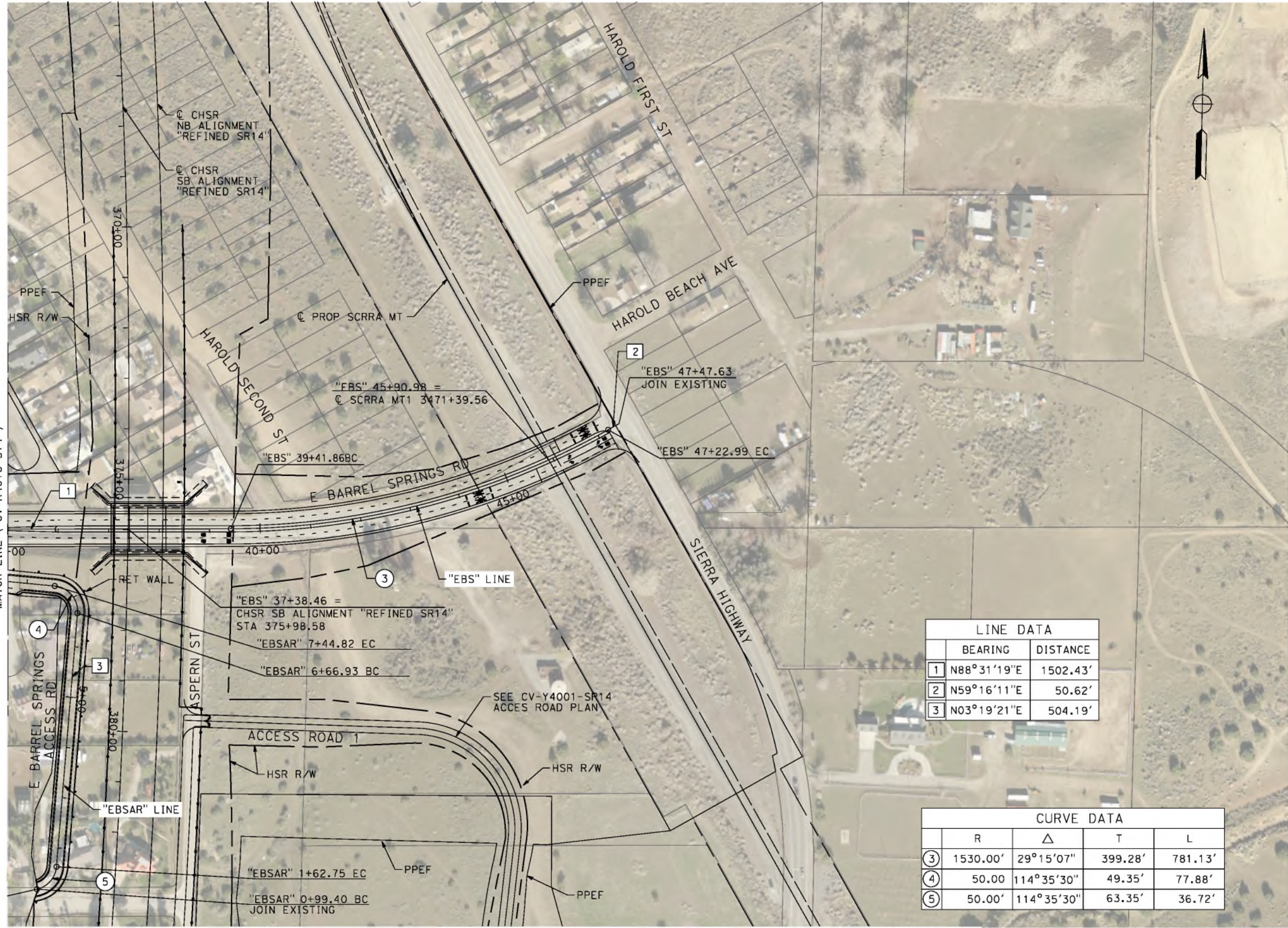
CALIFORNIA HIGH-SPEED RAIL PROJECT
PALMDALE TO BURBANK
ALIGNMENT "REFINED SR14"
ROADWAY PLAN
E BARREL SPRINGS RD, E BARREL SPRING ACCESS RD
AND EAST SIXTH STREET

CONTRACT NO.
HSR14-42
DRAWING NO.
CV-R4018-S14
SCALE
AS SHOWN
SHEET NO.

ct:\pwworkingdir\sener-us-pw-bentley.com_sener-us-pw-01\dal\to.cordoba\dms24258v9b-cv-r4019-s14.dgn

5/26/2021 8:46:10 PM

corcdo



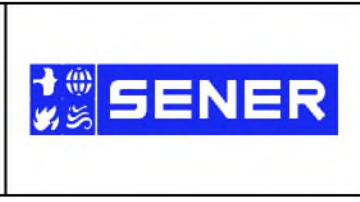
LINE DATA		
	BEARING	DISTANCE
1	N88°31'19"E	1502.43'
2	N59°16'11"E	50.62'
3	N03°19'21"E	504.19'

CURVE DATA				
	R	Δ	T	L
3	1530.00'	29°15'07"	399.28'	781.13'
4	50.00	114°35'30"	49.35'	77.88'
5	50.00'	114°35'30"	63.35'	36.72'

REV	DATE	BY	CHK	APP	DESCRIPTION

DESIGNED BY
J.C. ALAMILLA
DRAWN BY
A. SANZ
CHECKED BY
W. GUO
IN CHARGE
A. RELANO
DATE
04/30/2021

PEPD RECORD SET
REV 02
NOT FOR CONSTRUCTION



CALIFORNIA HIGH-SPEED RAIL PROJECT
PALMDALE TO BURBANK
ALIGNMENT "REFINED SR14"
ROADWAY PLAN
E BARREL SPRINGS RD AND E BARREL SPRINGS ACCESS RD

CONTRACT NO.
HSR14-42
DRAWING NO.
CV-R4019-S14
SCALE
AS SHOWN
SHEET NO.

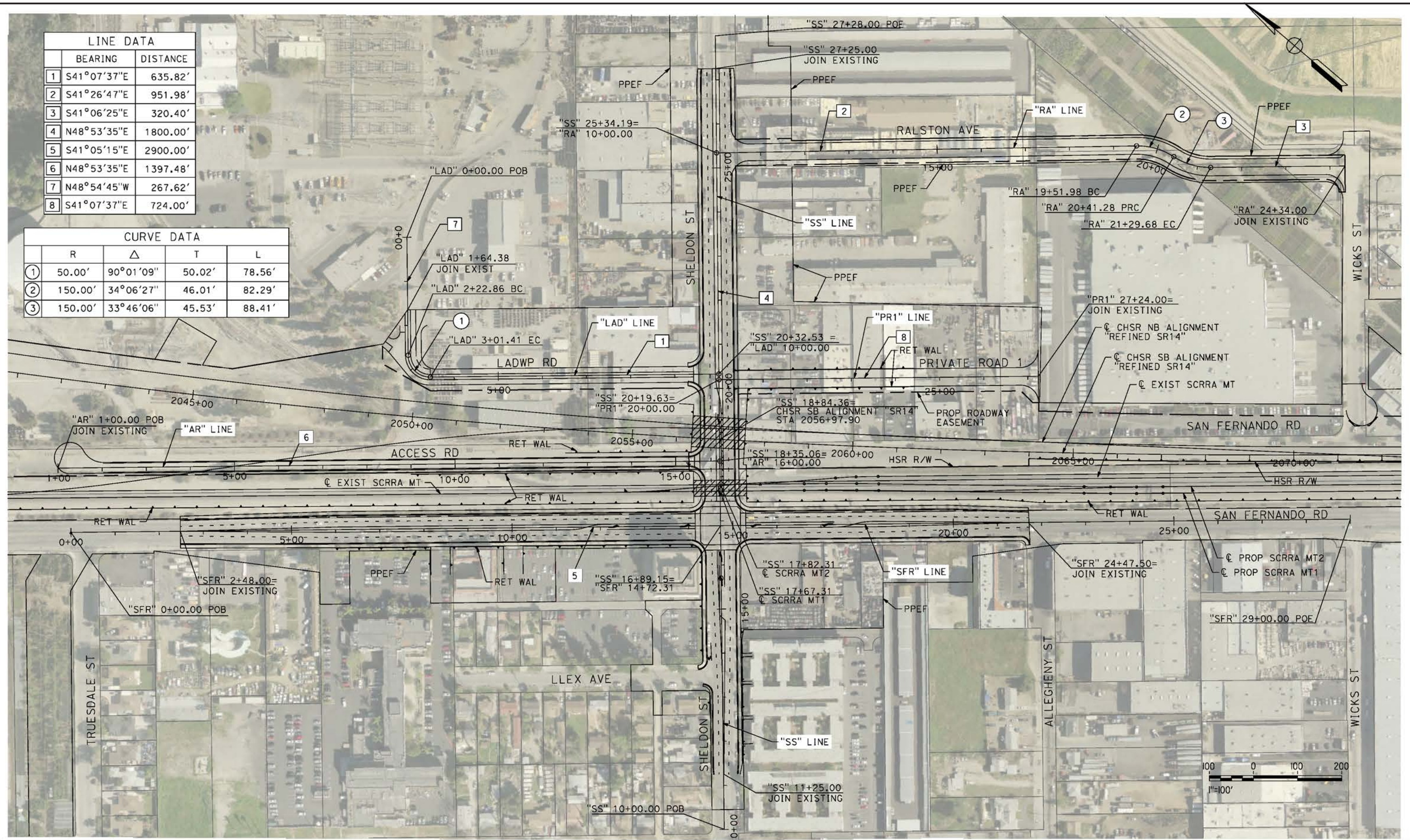
c:\pwworkingdir\sener-us-pw-bentley.com_sener-us-pw-01\dal\to.cordoba\dms24258v9b-cv-r4020-s14.dgn

5/26/2021 8:03:52 PM

cordo

LINE DATA		
	BEARING	DISTANCE
1	S41°07'37"E	635.82'
2	S41°26'47"E	951.98'
3	S41°06'25"E	320.40'
4	N48°53'35"E	1800.00'
5	S41°05'15"E	2900.00'
6	N48°53'35"E	1397.48'
7	N48°54'45"W	267.62'
8	S41°07'37"E	724.00'

CURVE DATA				
	R	Δ	T	L
①	50.00'	90°01'09"	50.02'	78.56'
②	150.00'	34°06'27"	46.01'	82.29'
③	150.00'	33°46'06"	45.53'	88.41'



REV	DATE	BY	CHK	APP	DESCRIPTION

DESIGNED BY
J.C. ALAMILLA
DRAWN BY
A. SANZ
CHECKED BY
W. GUO
IN CHARGE
A. RELANO
DATE
04/30/2021

PEPD RECORD SET
REV 02
NOT FOR CONSTRUCTION



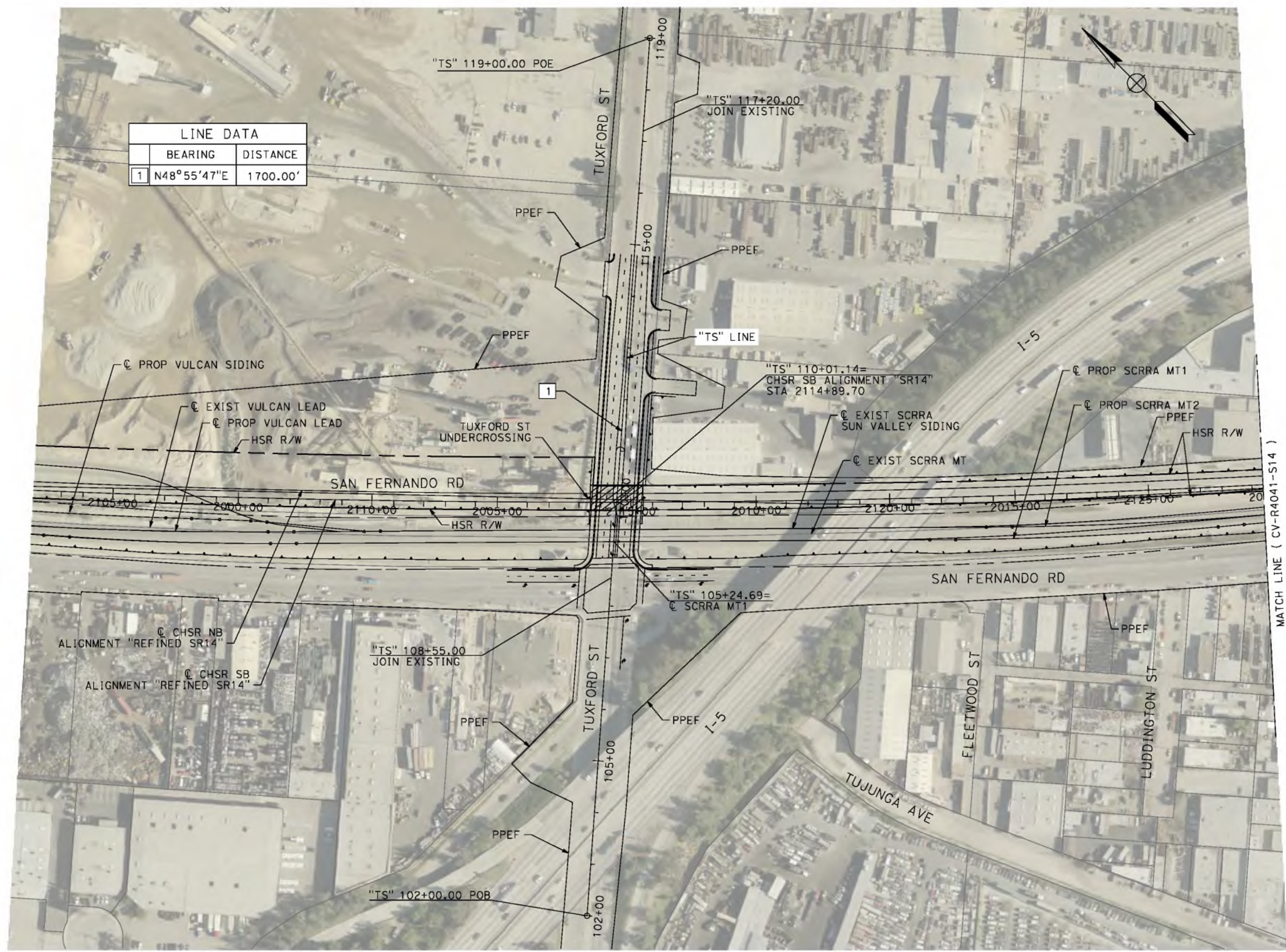
CALIFORNIA HIGH-SPEED RAIL PROJECT
PALMDALE TO BURBANK
ALIGNMENT "REFINED SR14"
LADWP RD AND ACCESS RD
ROADWAY PLAN
SHELDON ST, PRIVATE RD 1, RALSTON AVE

CONTRACT NO.
HSR14-42
DRAWING NO.
CV-R4020-S14
SCALE
AS SHOWN
SHEET NO.

ct:\pwworkingdir\sener-us-pw-bentley.com_sener-us-pw-01\dal\ta.cordoba\dms24258\p8-cv-r4040-s14.dgn

5/19/2021 7:29:14 PM

cordo



LINE DATA	
BEARING	DISTANCE
1 N48°55'47"E	1700.00'

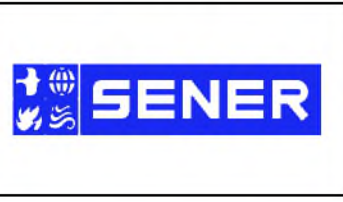


REV	DATE	BY	CHK	APP	DESCRIPTION

DESIGNED BY
J.C. ALAMILLA
DRAWN BY
A. SANZ
CHECKED BY
W. GUO
IN CHARGE
A. RELANO
DATE
04/30/2021

PEPD RECORD SET
REV 02

NOT FOR CONSTRUCTION



CALIFORNIA HIGH-SPEED RAIL PROJECT
PALMDALE TO BURBANK
ALIGNMENT "REFINED SR14"
ROADWAY PLAN
TUXFORD ST

CONTRACT NO.
HSR14-42
DRAWING NO.
CV-R4040-S14
SCALE
AS SHOWN
SHEET NO.

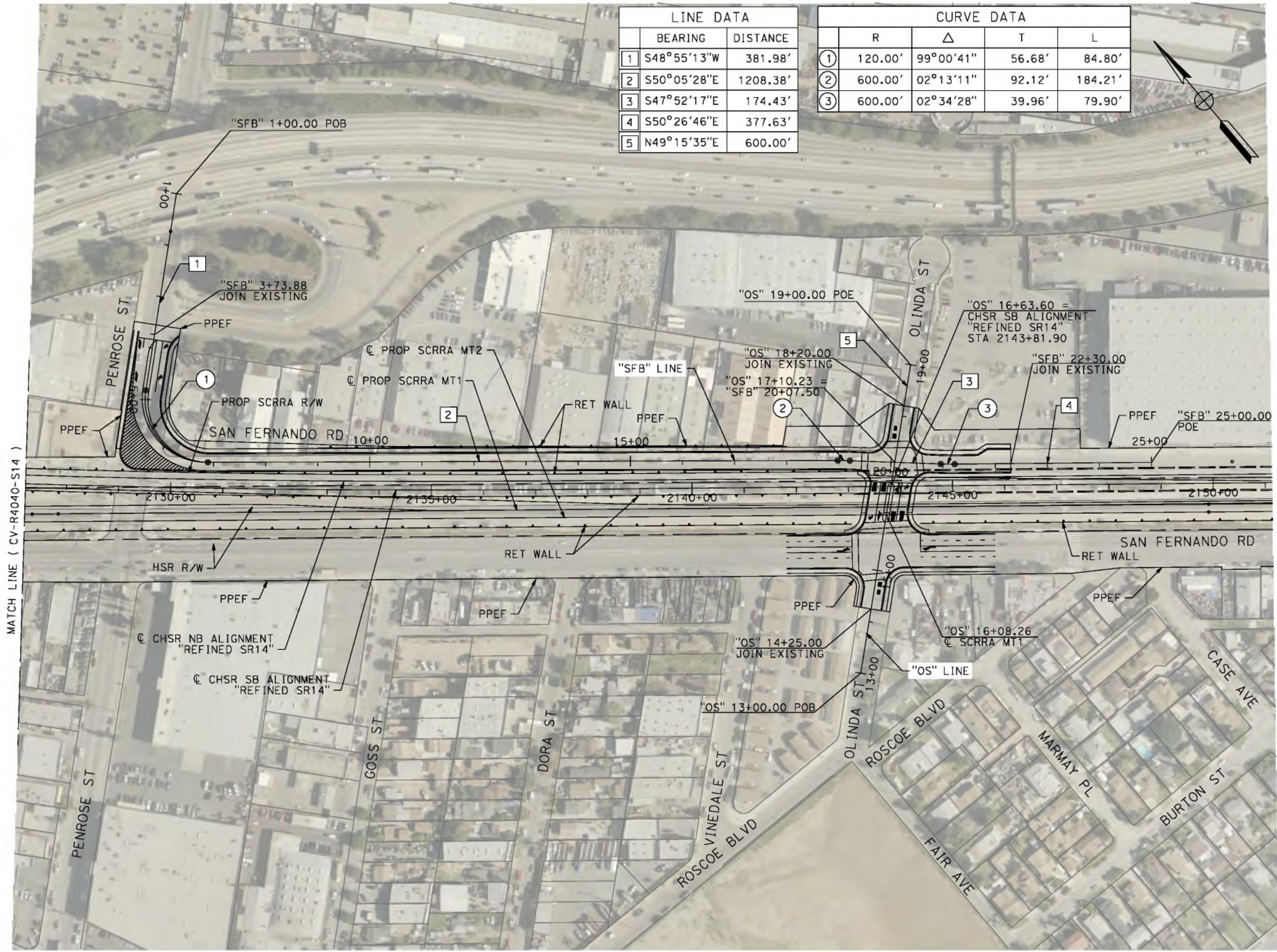
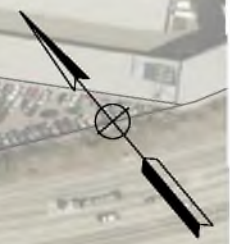
ct:\pwworkingdir\sener-us-pw-bentley.com_sener-us-pw-01\dal\ta.cordoba\dms24258vrb-cv-r4041-s14.dgn

5/12/2021 5:09:30 PM

cordo

LINE DATA	
BEARING	DISTANCE
1 S48°55'13"W	381.98'
2 S50°05'28"E	1208.38'
3 S47°52'17"E	174.43'
4 S50°26'46"E	377.63'
5 N49°15'35"E	600.00'

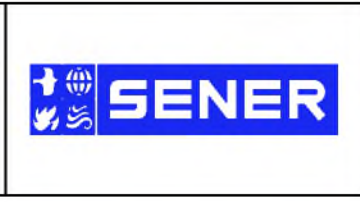
CURVE DATA			
R	Δ	T	L
① 120.00'	99°00'41"	56.68'	84.80'
② 600.00'	02°13'11"	92.12'	184.21'
③ 600.00'	02°34'28"	39.96'	79.90'



REV	DATE	BY	CHK	APP	DESCRIPTION

DESIGNED BY
J.C. ALAMILLA
DRAWN BY
A. SANZ
CHECKED BY
W. GUO
IN CHARGE
A. RELANO
DATE
04/30/2021

PEPD RECORD SET
REV 02
NOT FOR CONSTRUCTION



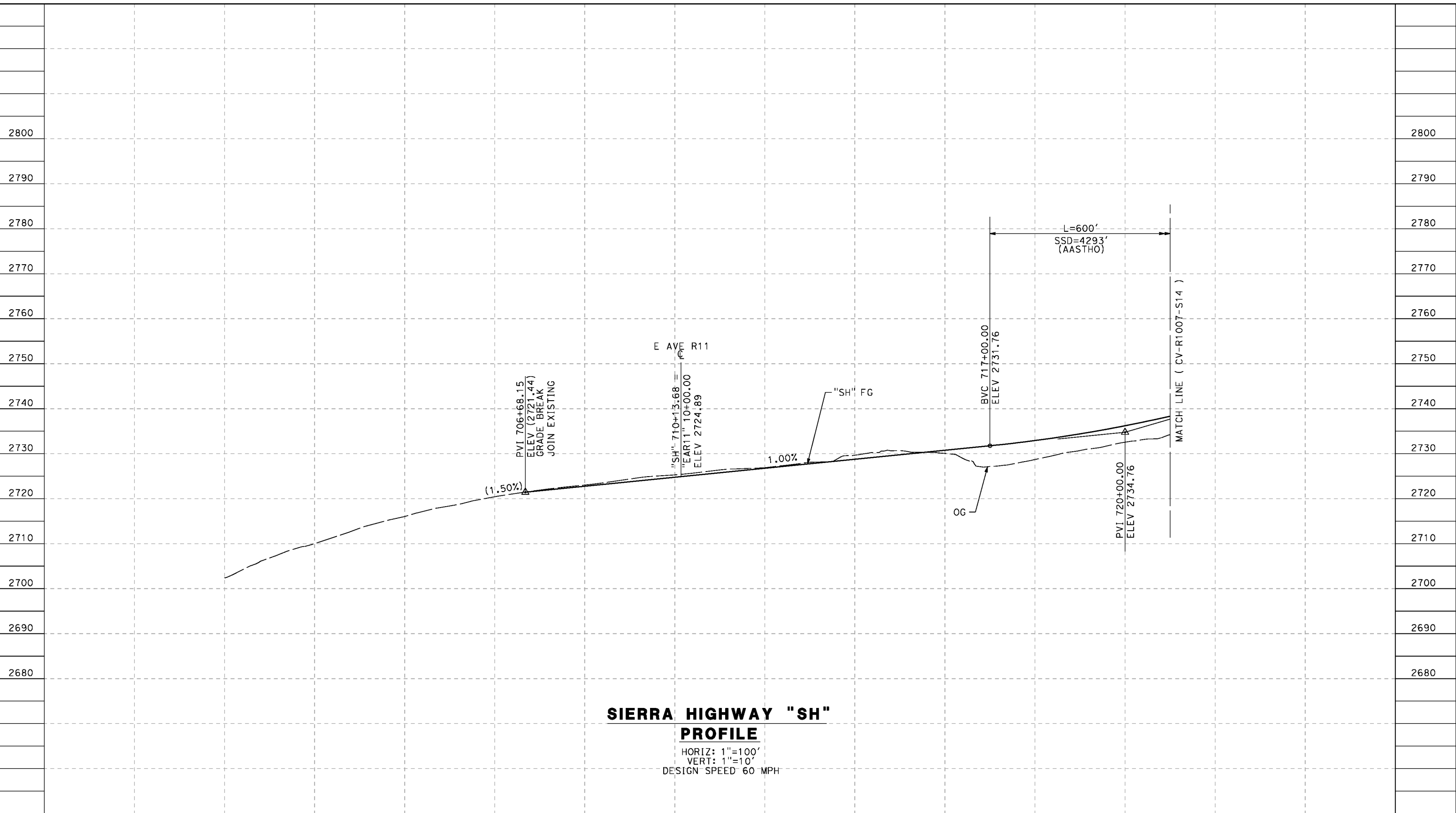
CALIFORNIA HIGH-SPEED RAIL PROJECT
PALMDALE TO BURBANK
ALIGNMENT "REFINED SR14"
ROADWAY PLAN
OLINDA ST AND SAN FERNANDO RD

CONTRACT NO.
HSR14-42
DRAWING NO.
CV-R4041-S14
SCALE
AS SHOWN
SHEET NO.

c:\pwworkingdir\sener-us-pw-bentley.com_sener-us-pw-01\dal\ta.cordoba\dms24258VPB-CV-R1006-S14.dgn

5/23/2021 6:26:45 PM

cordo



**SIERRA HIGHWAY "SH"
PROFILE**

HORIZ: 1"=100'
VERT: 1"=10'
DESIGN SPEED 60 MPH

STATION	698+00	700+00	702+00	704+00	706+00	708+00	710+00	712+00	714+00	716+00	718+00	720+00	TOTAL
CY	Exc												
	Emb												

DESIGNED BY
J.C. ALAMILLA
DRAWN BY
A. SANZ
CHECKED BY
W. GUO
IN CHARGE
A. RELANO
DATE
04/30/2021

**PEPD RECORD SET
REV 02**

**NOT FOR
CONSTRUCTION**



**CALIFORNIA HIGH-SPEED RAIL PROJECT
PALMDALE TO BURBANK**

ALIGNMENT "REFINED SR14"
ROADWAY PROFILE
SIERRA HIGHWAY
SHEET 1 OF 4

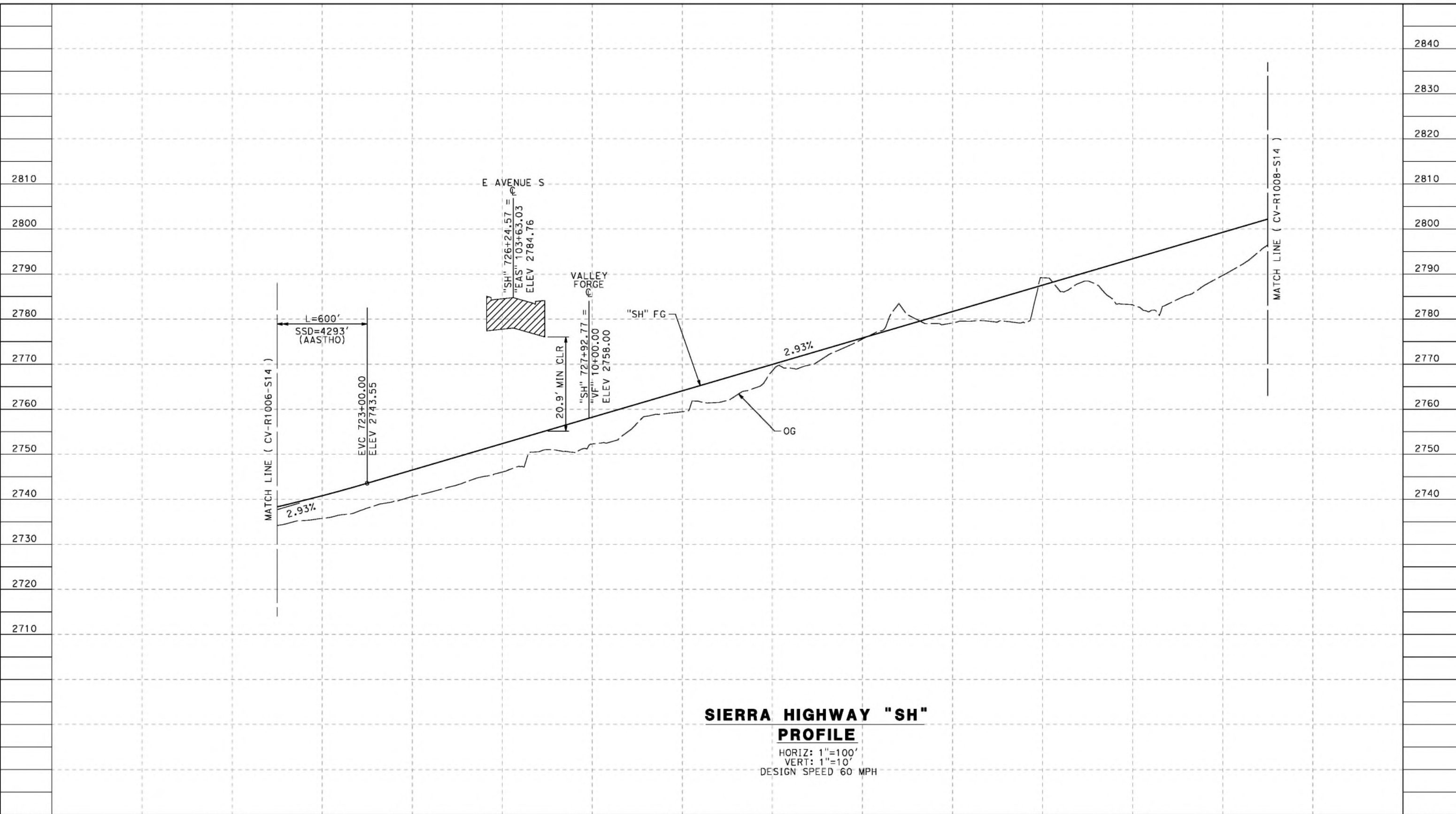
CONTRACT NO.
HSR14-42
DRAWING NO.
CV-R1006-S14
SCALE
AS SHOWN
SHEET NO.

REV	DATE	BY	CHK	APP	DESCRIPTION

c:\pwworkingdir\sener-us-pw-bentley.com_sener-us-pw-01\california\cordoba\dms24258VPB-CV-R1007-S14.dgn

5/23/2021 6:27:08 PM

cordo



**SIERRA HIGHWAY "SH"
PROFILE**
 HORIZ: 1"=100'
 VERT: 1"=10'
 DESIGN SPEED 60 MPH

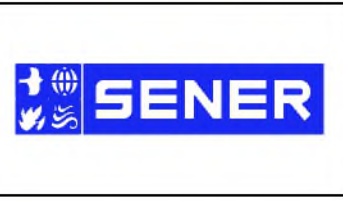
STATION	720+00	722+00	724+00	726+00	728+00	730+00	732+00	734+00	736+00	738+00	740+00	742+00	TOTAL
CY	Exc												
	Emb												

REV	DATE	BY	CHK	APP	DESCRIPTION

DESIGNED BY
J.C. ALAMILLA
 DRAWN BY
A. SANZ
 CHECKED BY
W. GUO
 IN CHARGE
A. RELANO
 DATE
04/30/2021

**PEPD RECORD SET
REV 02**

**NOT FOR
CONSTRUCTION**

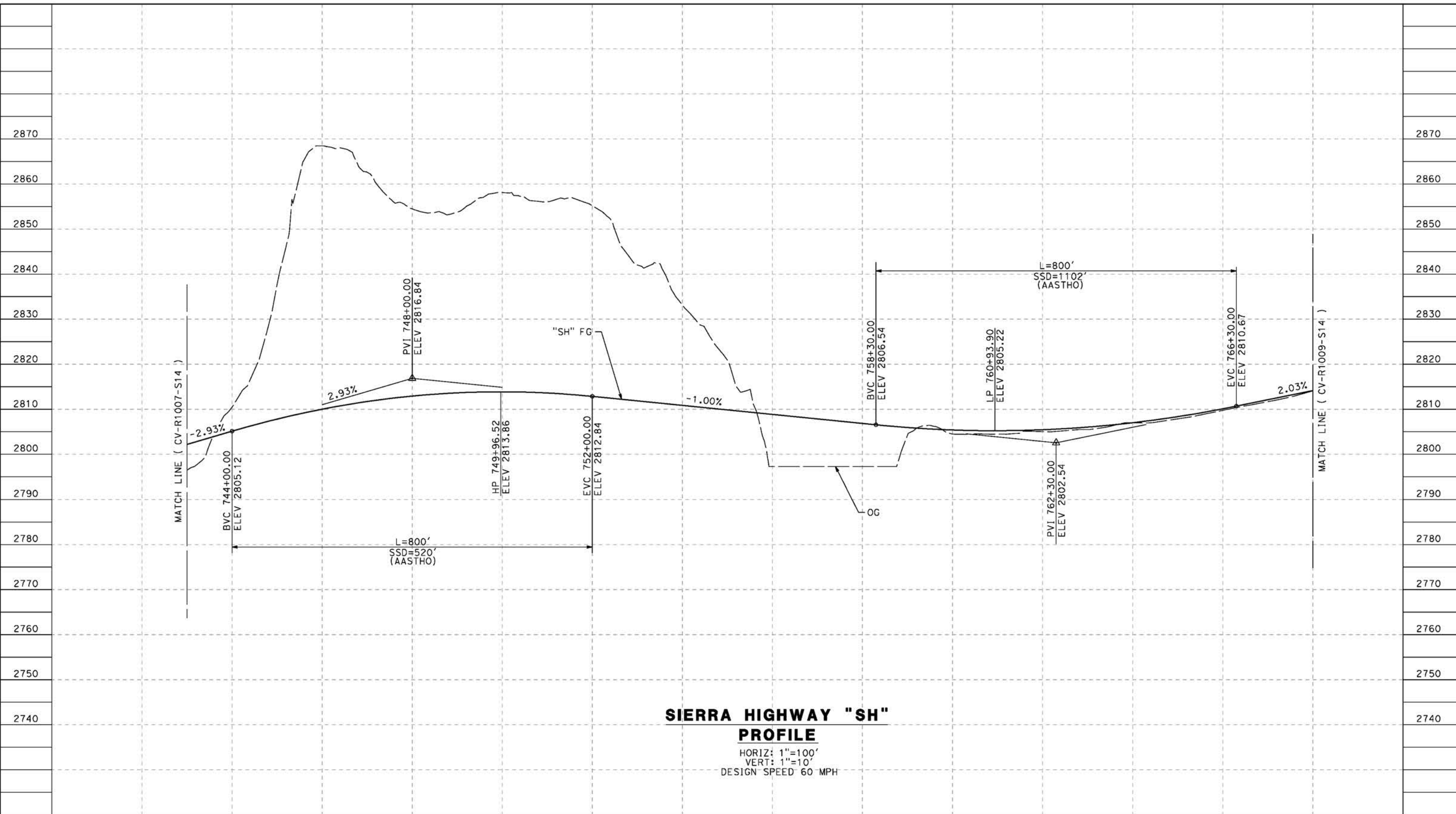


**CALIFORNIA HIGH-SPEED RAIL PROJECT
PALMDALE TO BURBANK**
 ALIGNMENT "REFINED SR14"
 ROADWAY PROFILE
 SIERRA HIGHWAY
 SHEET 2 OF 4

CONTRACT NO.
HSR14-42
 DRAWING NO.
CV-R1007-S14
 SCALE
AS SHOWN
 SHEET NO.

5/23/2021 6:27:29 PM c:\pwworkingdir\sener-us-pw-bentley.com_sener-us-pw-01\dal\cordoba\dms24258VPB-CV-R1008-S14.dgn

cordo



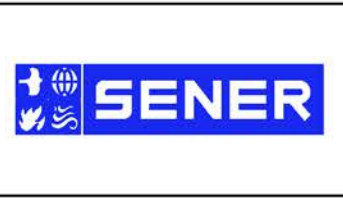
SIERRA HIGHWAY "SH"
PROFILE
 HORIZ: 1"=100'
 VERT: 1"=10'
 DESIGN SPEED 60 MPH

STATION	744+00	746+00	748+00	750+00	752+00	754+00	756+00	758+00	760+00	762+00	764+00	766+00	768+00	TOTAL
Exc														
Emb														

REV	DATE	BY	CHK	APP	DESCRIPTION

DESIGNED BY
J.C. ALAMILLA
 DRAWN BY
A. SANZ
 CHECKED BY
W. GUO
 IN CHARGE
A. RELANO
 DATE
04/30/2021

PEPD RECORD SET
 REV 02
NOT FOR CONSTRUCTION



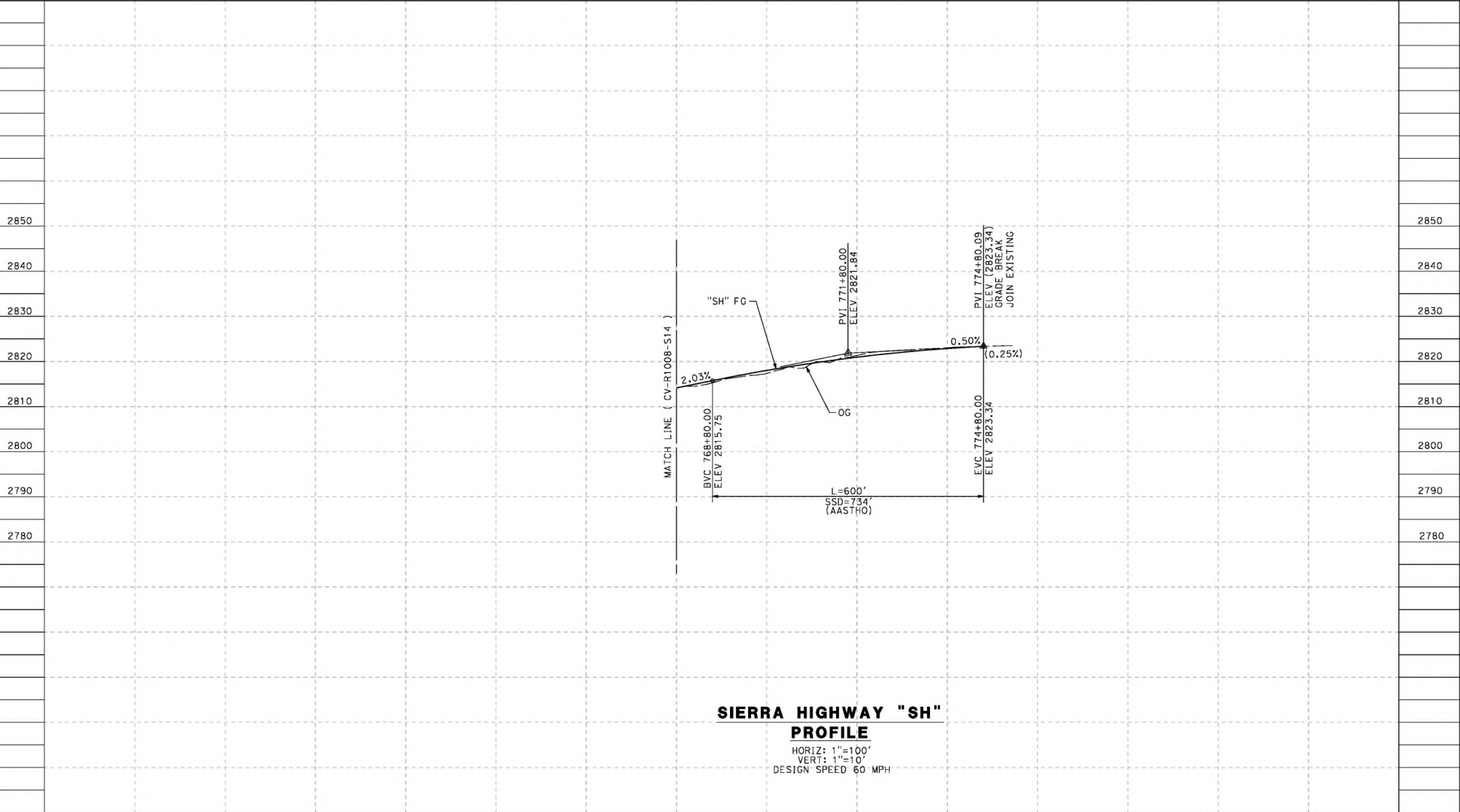
CALIFORNIA HIGH-SPEED RAIL PROJECT
PALMDALE TO BURBANK
 ALIGNMENT "REFINED SR14"
 ROADWAY PROFILE
 SIERRA HIGHWAY
 SHEET 3 OF 4

CONTRACT NO.
HSR14-42
 DRAWING NO.
CV-R1008-S14
 SCALE
AS SHOWN
 SHEET NO.

ct:\pwworkingdir\sener-us-pw-bentley.com_sener-us-pw-01\da\ta.cordoba\dms24258VPB-CV-R1009-S14.dgn

5/23/2021 6:27:46 PM

cordo



**SIERRA HIGHWAY "SH"
PROFILE**

HORIZ: 1"=100'
VERT: 1"=10'
DESIGN SPEED 60 MPH

STATION	768+00	770+00	772+00	774+00	776+00	778+00	780+00	TOTAL
Exc								
Emb								

DESIGNED BY
J.C. ALAMILLA
DRAWN BY
A. SANZ
CHECKED BY
W. GUO
IN CHARGE
A. RELANO
DATE
04/30/2021

**PEPD RECORD SET
REV 02
NOT FOR
CONSTRUCTION**



**CALIFORNIA HIGH-SPEED RAIL PROJECT
PALMDALE TO BURBANK**
ALIGNMENT "REFINED SR14"
ROADWAY PROFILE
SIERRA HIGHWAY
SHEET 4 OF 4

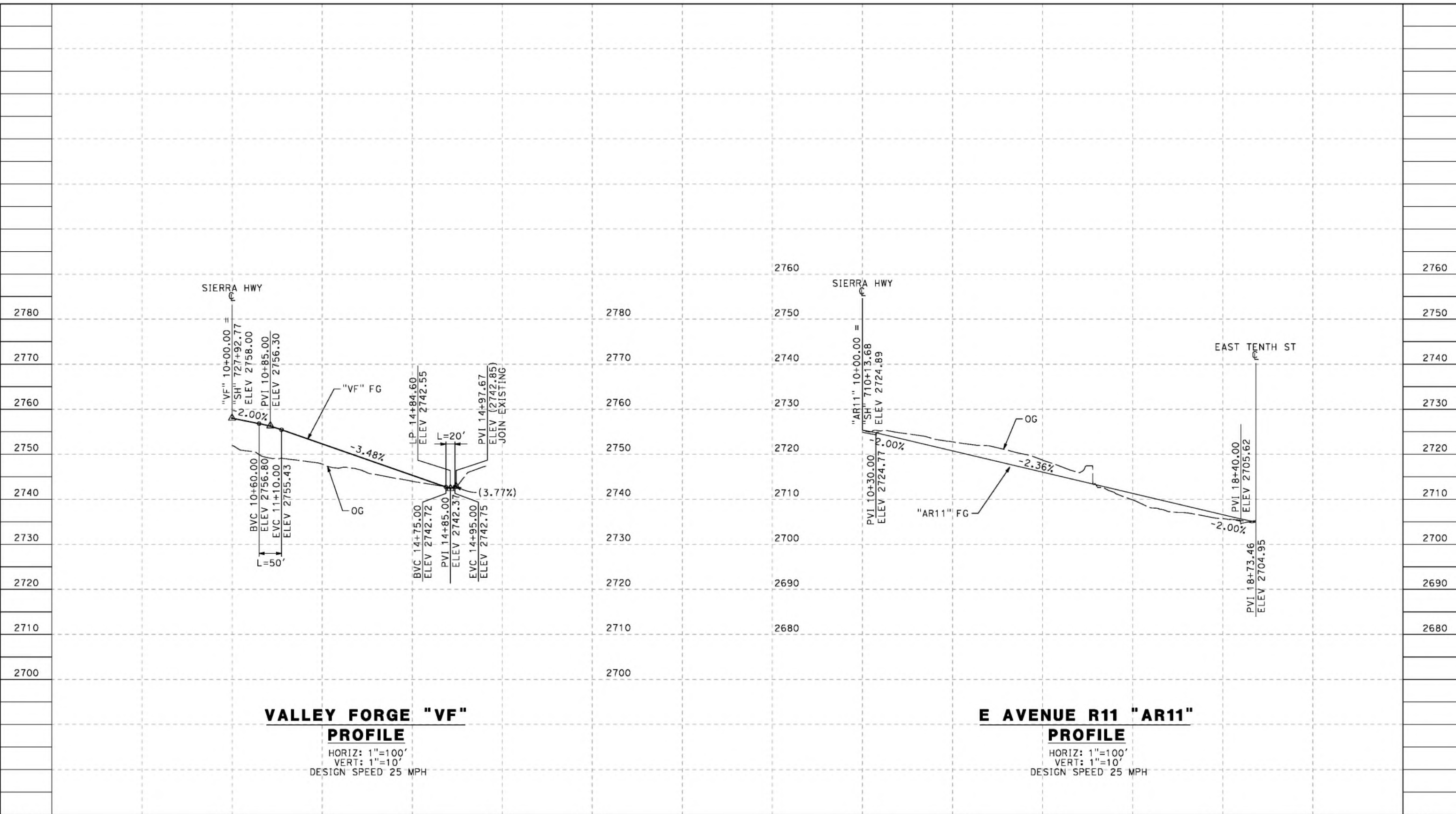
CONTRACT NO.
HSR14-42
DRAWING NO.
CV-R1009-S14
SCALE
AS SHOWN
SHEET NO.

REV	DATE	BY	CHK	APP	DESCRIPTION

ct:\pwworkingdir\sener-us-pw-bentley\com_sener-us-pw-01\dd\ca\cordoba\dms24258VPB-CV-R1009A-S14.dgn

5/23/2021 6:28:00 PM

cordo



STATION	10+00	12+00	14+00	16+00	18+00	10+00	12+00	14+00	16+00	18+00	20+00	TOTAL
CY	Exc											
	Emb											

DESIGNED BY
J.C. ALAMILLA
 DRAWN BY
A. SANZ
 CHECKED BY
W. GUO
 IN CHARGE
A. RELANO
 DATE
04/30/2021

**PEPD RECORD SET
REV 02**

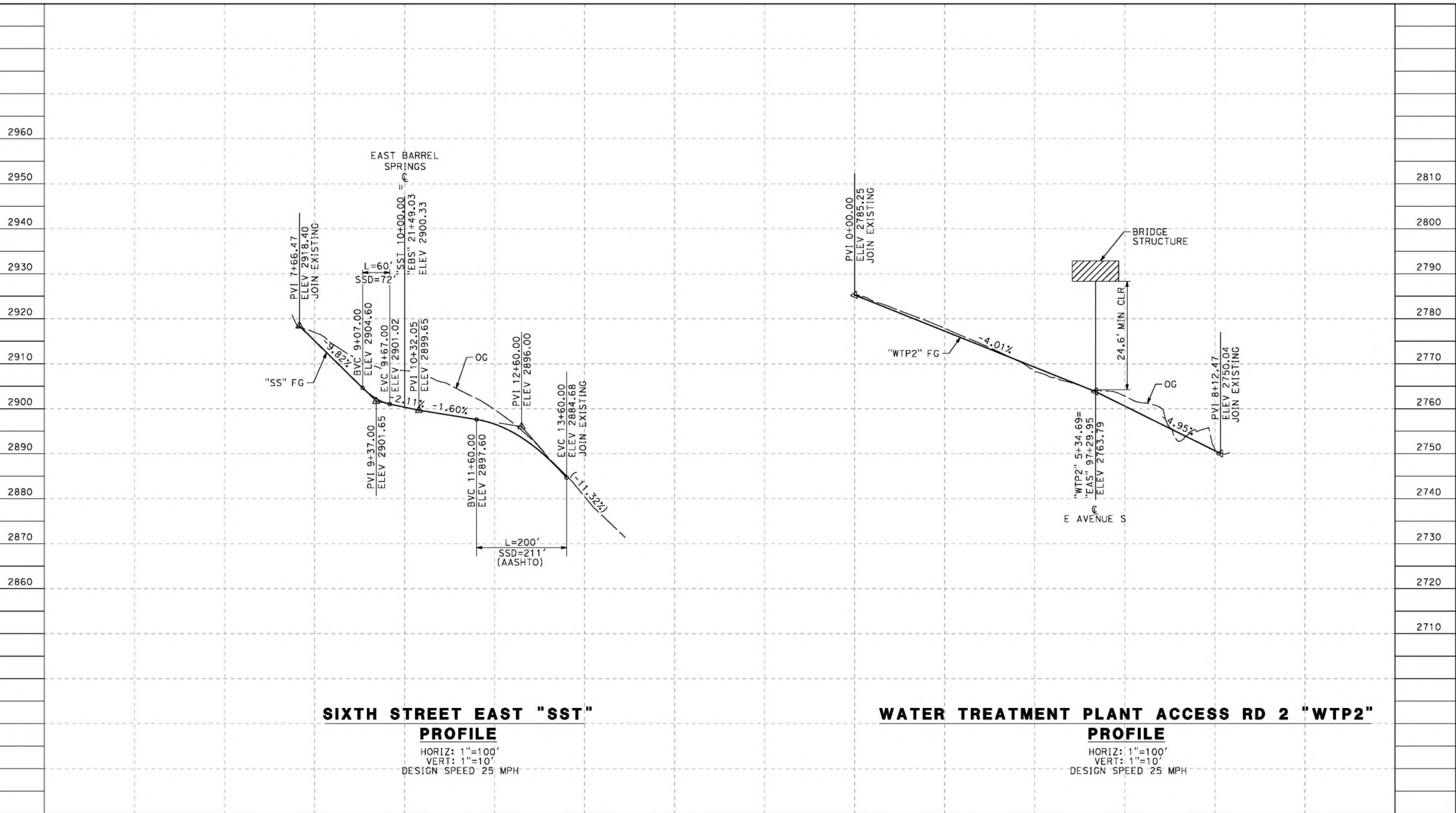
**NOT FOR
CONSTRUCTION**



**CALIFORNIA HIGH-SPEED RAIL PROJECT
PALMDALE TO BURBANK**
 ALIGNMENT "REFINED SR14"
 ROADWAY PROFILE
 VALLEY FORGE AND E AVENUE R11

CONTRACT NO.
HSR14-42
 DRAWING NO.
CV-R1009A-S14
 SCALE
AS SHOWN
 SHEET NO.

5/26/2021 8:24:18 PM
 c:\pwworkingdir\sener-us-pw-bentley.com_sener-us-pw-01\dd\ta\cordoba\dms24258V7B-CV-R1009B-S14.dgn
 cordo



SIXTH STREET EAST "SST" PROFILE

HORIZ: 1"=100'
 VERT: 1"=10'
 DESIGN SPEED 25 MPH

WATER TREATMENT PLANT ACCESS RD 2 "WTP2" PROFILE

HORIZ: 1"=100'
 VERT: 1"=10'
 DESIGN SPEED 25 MPH

STATION	6+00	8+00	10+00	12+00	14+00	16+00	0+00	2+00	4+00	6+00	8+00	TOTAL
Exc												
Emb												

DESIGNED BY
J.C. ALAMILLA
 DRAWN BY
A. SANZ
 CHECKED BY
W. GUO
 IN CHARGE
A. RELANO
 DATE
04/30/2021

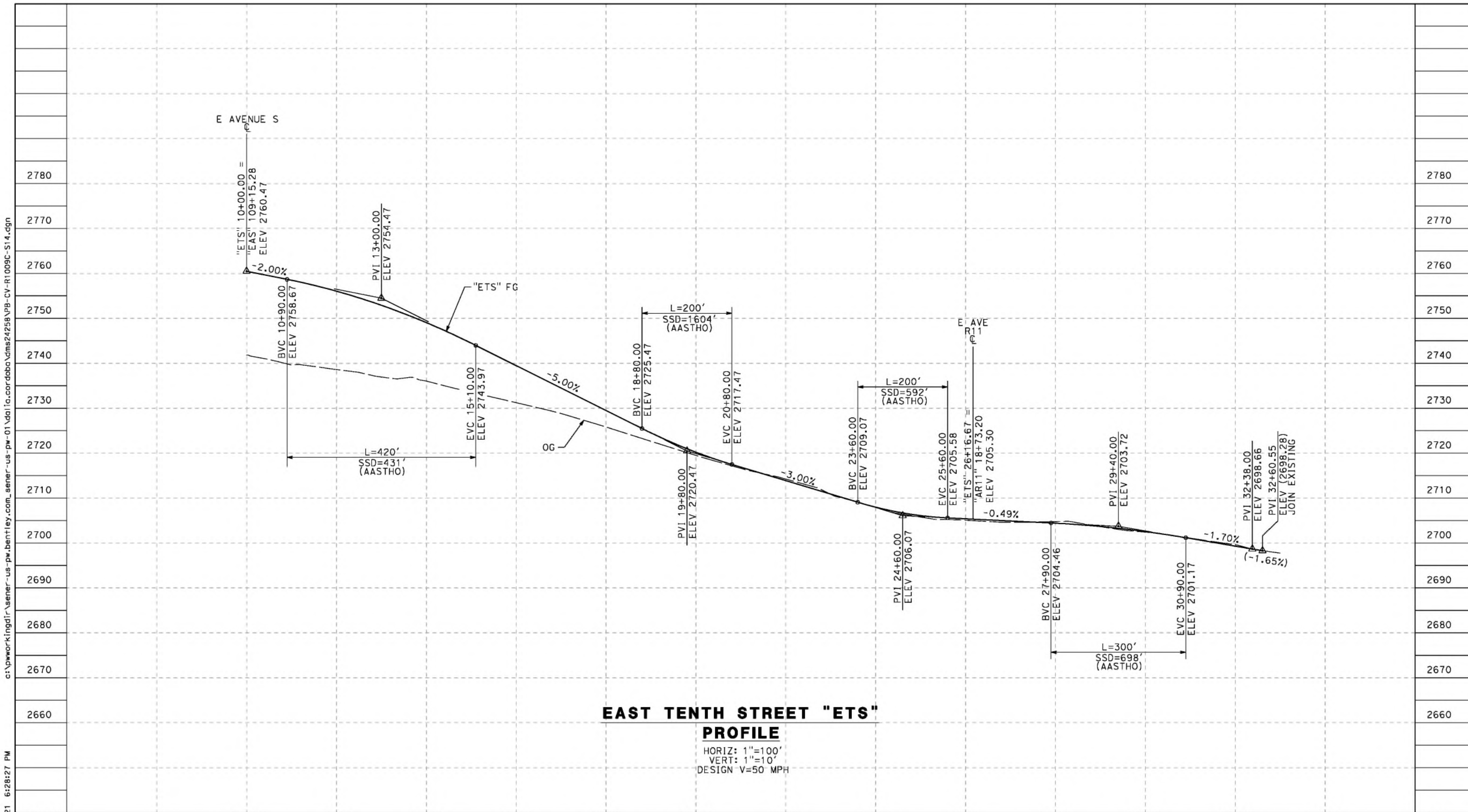
**PEPD RECORD SET
 REV 02
 NOT FOR
 CONSTRUCTION**



**CALIFORNIA HIGH-SPEED RAIL PROJECT
 PALMDALE TO BURBANK**
 ALIGNMENT "REFINED SR14"
 ROADWAY PROFILE
 SIXTH STREET EAST AND
 WATER TREATMENT PLANT ACCESS RD 2

CONTRACT NO.
HSR14-42
 DRAWING NO.
CV-R1009B-S14
 SCALE
AS SHOWN
 SHEET NO.

REV	DATE	BY	CHK	APP	DESCRIPTION



EAST TENTH STREET "ETS" PROFILE

HORIZ: 1"=100'
 VERT: 1"=10'
 DESIGN V=50 MPH

STATION	10+00	12+00	14+00	16+00	18+00	20+00	22+00	24+00	26+00	28+00	30+00	32+00	34+00	TOTAL
CY	Exc													
	Emb													

REV	DATE	BY	CHK	APP	DESCRIPTION

DESIGNED BY
J.C. ALAMILLA
 DRAWN BY
A. SANZ
 CHECKED BY
W. GUO
 IN CHARGE
A. RELANO
 DATE
04/30/2021

**PEPD RECORD SET
 REV 02
 NOT FOR
 CONSTRUCTION**



**CALIFORNIA HIGH-SPEED RAIL PROJECT
 PALMDALE TO BURBANK**
 ALIGNMENT "REFINED SR14"
 ROADWAY PROFILE
 EAST TENTH STREET

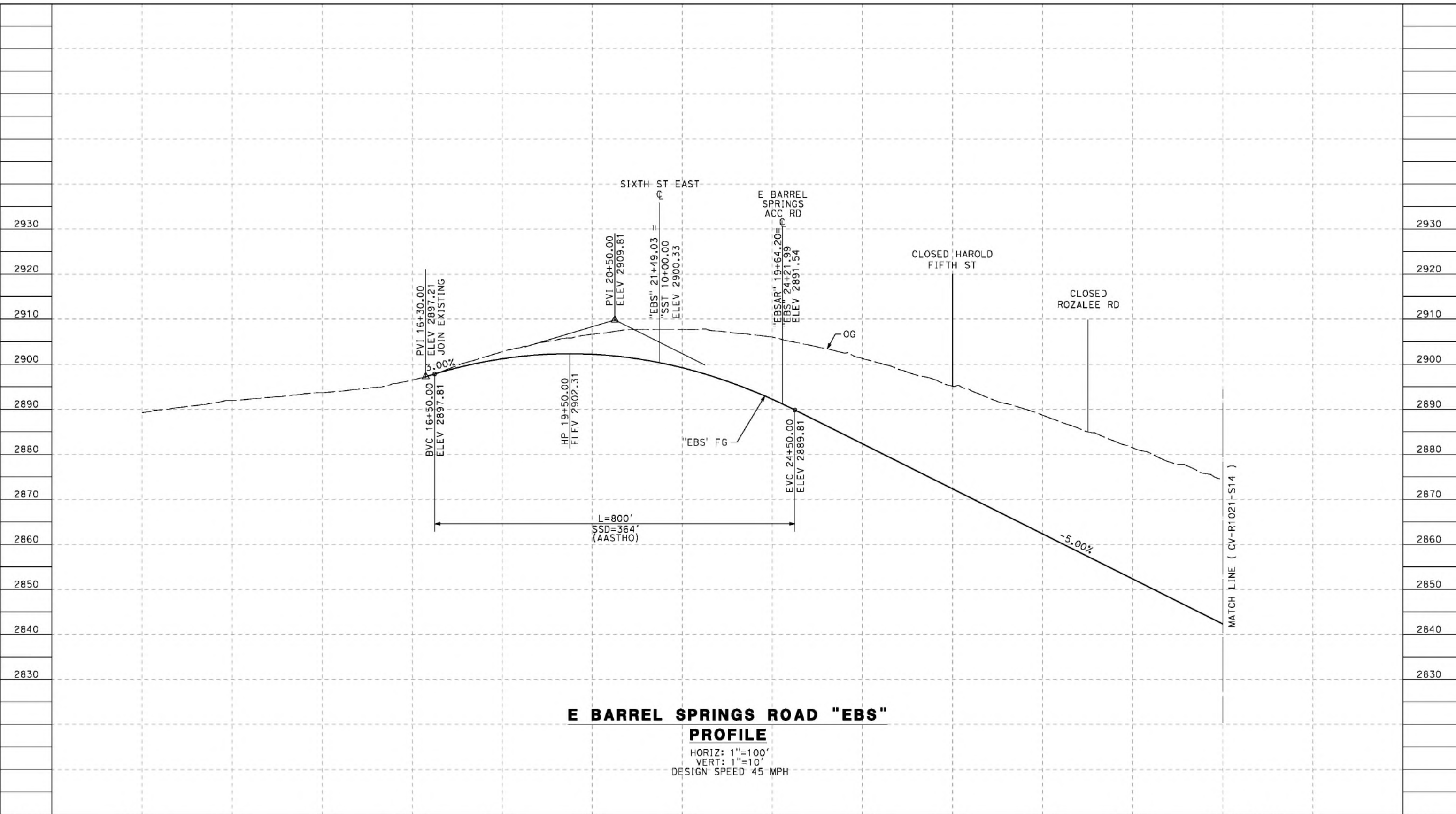
CONTRACT NO.
HSR14-42
 DRAWING NO.
CV-R1009C-S14
 SCALE
AS SHOWN
 SHEET NO.

5/23/2021 6:28:27 PM c:\pwworkingdir\sener-us-pw-bentley.com_sener-us-pw-01\ddal\cordoba\dms24258VPB-CV-R1009C-S14.dgn cordo

ct:\pwworkingdir\sener-us-pw-bentley.com_sener-us-pw-01\ad\ta.cordoba\dms24258VPB-CV-R1020-S14.dgn

5/23/2021 6:28:40 PM

cordo



E BARREL SPRINGS ROAD "EBS" PROFILE

HORIZ: 1"=100'
 VERT: 1"=10'
 DESIGN SPEED 45 MPH

STATION	10+00	12+00	14+00	16+00	18+00	20+00	22+00	24+00	26+00	28+00	30+00	32+00	34+00	35+00	TOTAL
CY	Exc														
	Emb														

DESIGNED BY
J.C. ALAMILLA
 DRAWN BY
A. SANZ
 CHECKED BY
W. GUO
 IN CHARGE
A. RELANO
 DATE
04/30/2021

**PEPD RECORD SET
 REV 02
 NOT FOR
 CONSTRUCTION**



**CALIFORNIA HIGH-SPEED RAIL PROJECT
 PALMDALE TO BURBANK**
 ALIGNMENT "REFINED SR14"
 ROADWAY PROFILE
 E BARREL SPRINGS ROAD
 SHEET 1 OF 2

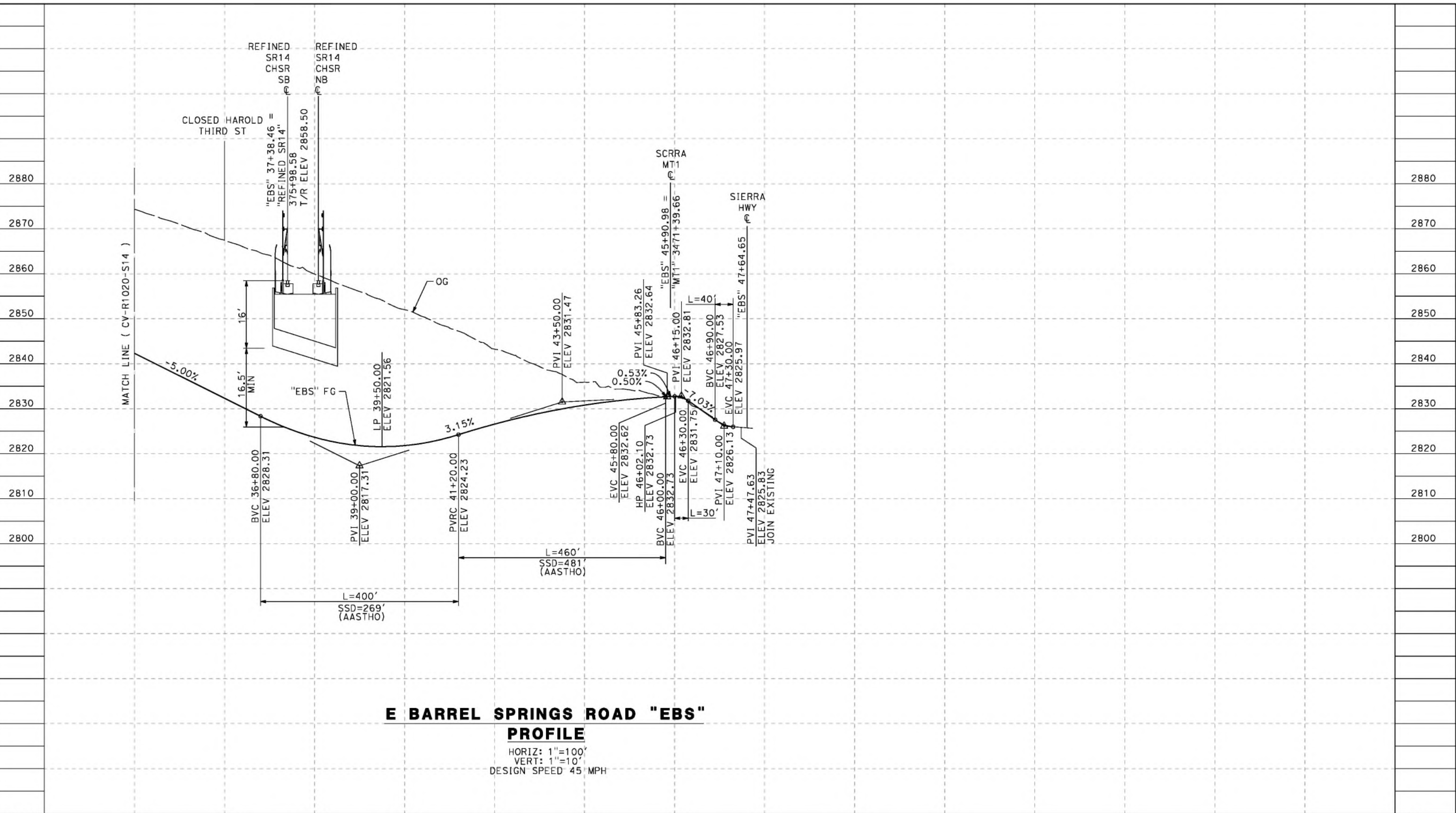
CONTRACT NO.
HSR14-42
 DRAWING NO.
CV-R1020-S14
 SCALE
AS SHOWN
 SHEET NO.

REV	DATE	BY	CHK	APP	DESCRIPTION

ct:\pwworkingdir\sener-us-pw-bentley.com_sener-us-pw-01\california\cordoba\dms24258VPB-CV-R1021-S14.dgn

5/23/2021 6:28:55 PM

cordo



E BARREL SPRINGS ROAD "EBS"
PROFILE
 HORIZ: 1"=100'
 VERT: 1"=10'
 DESIGN SPEED 45 MPH

STATION	34+00	36+00	38+00	40+00	42+00	44+00	46+00	48+00	50+00	52+00	TOTAL
CY	Exc										
	Emb										

DESIGNED BY
J.C. ALAMILLA
 DRAWN BY
A. SANZ
 CHECKED BY
W. GUO
 IN CHARGE
A. RELANO
 DATE
04/30/2021

PEPD RECORD SET
 REV 02
NOT FOR CONSTRUCTION



CALIFORNIA HIGH-SPEED RAIL PROJECT
PALMDALE TO BURBANK
 ALIGNMENT "REFINED SR14"
 ROADWAY PROFILE
 E BARREL SPRINGS ROAD
 SHEET 2 OF 2

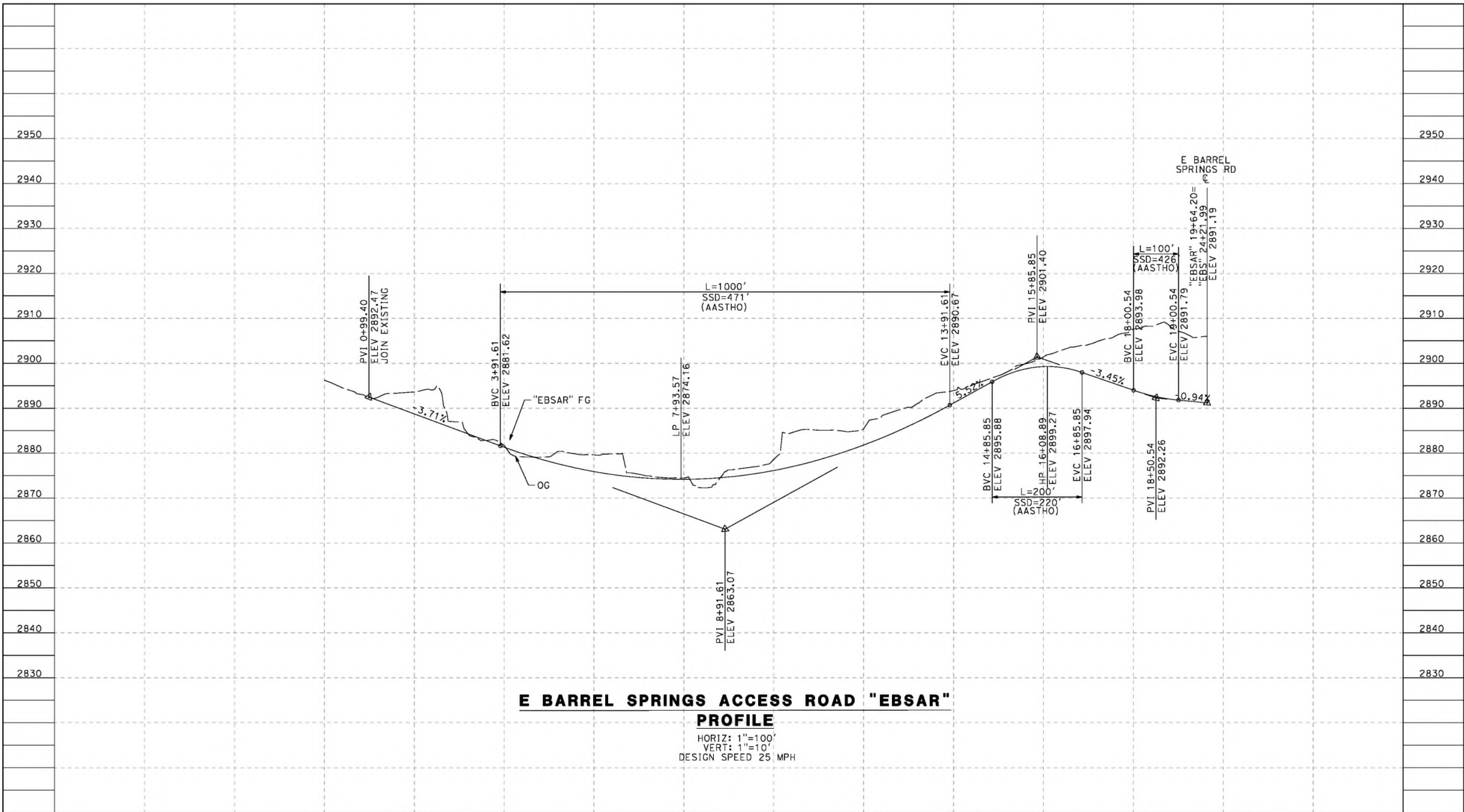
CONTRACT NO.
HSR14-42
 DRAWING NO.
CV-R1021-S14
 SCALE
AS SHOWN
 SHEET NO.

REV	DATE	BY	CHK	APP	DESCRIPTION

ct:\pwworkingdir\sener-us-pw-bentley.com_sener-us-pw-01\dd\ta\cordoba\dms24258VPB-CV-R1021A-S14.dgn

5/27/2021 5:48:45 AM

cordo



E BARREL SPRINGS ACCESS ROAD "EBSAR" PROFILE

HORIZ: 1"=100'
 VERT: 1"=10'
 DESIGN SPEED 25 MPH

STATION	0+00	2+00	4+00	6+00	8+00	10+00	12+00	14+00	16+00	18+00	20+00	TOTAL
Exc												
Emb												

REV	DATE	BY	CHK	APP	DESCRIPTION

DESIGNED BY
J.C. ALAMILLA
 DRAWN BY
A. SANZ
 CHECKED BY
W. GUO
 IN CHARGE
A. RELANO
 DATE
04/30/2021

**PEPD RECORD SET
 REV 02**
**NOT FOR
 CONSTRUCTION**



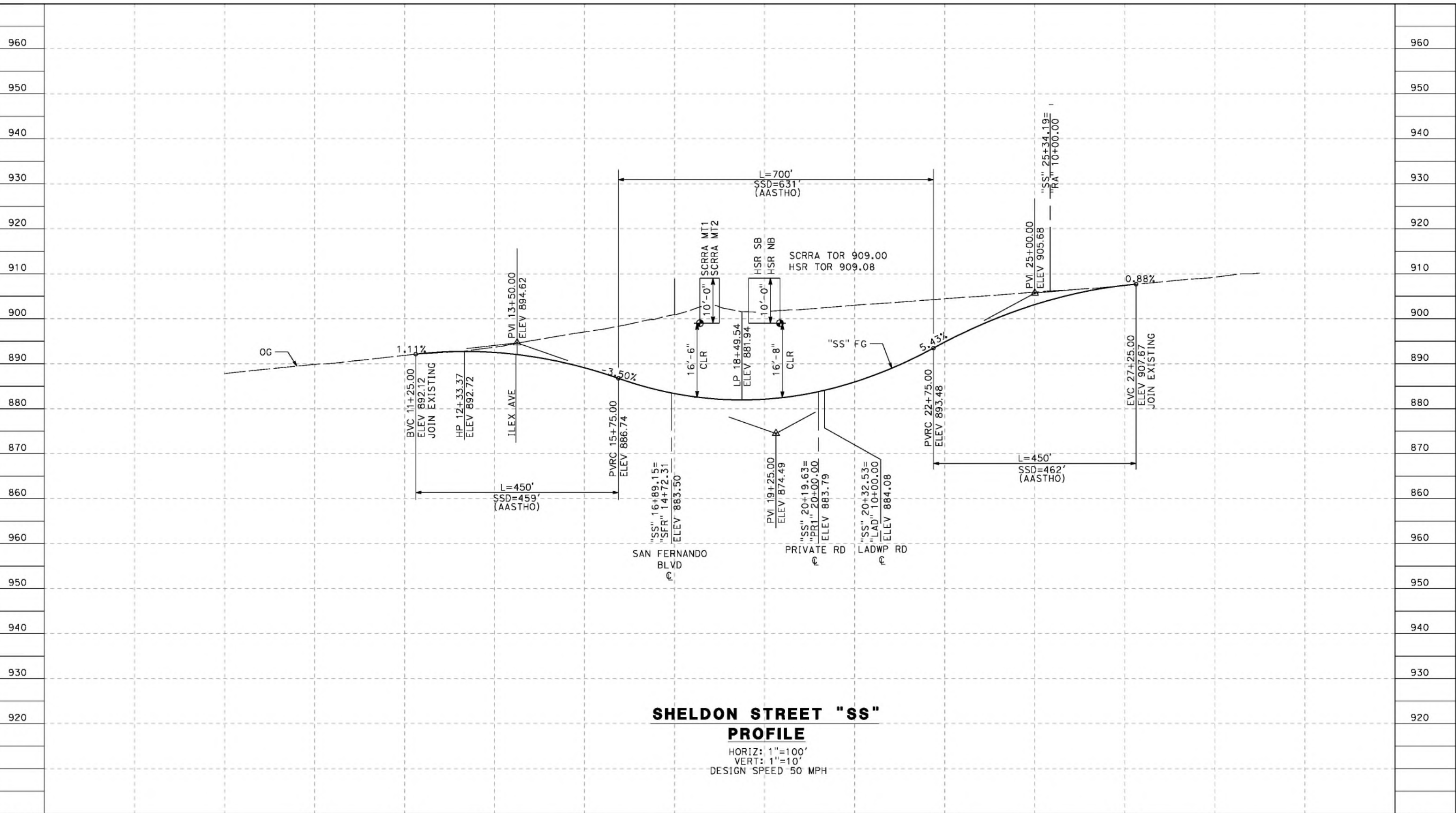
**CALIFORNIA HIGH-SPEED RAIL PROJECT
 PALMDALE TO BURBANK**
 ALIGNMENT "REFINED SR14"
 ROADWAY PROFILE
 E BARREL SPRINGS ACCESS ROAD

CONTRACT NO.
HSR14-42
 DRAWING NO.
CV-R1021A-S14
 SCALE
AS SHOWN
 SHEET NO.

C:\pwworkingdir\sener-us-pw-bentley.com_sener-us-pw-01\ddal\cordoba\dms24258VPB-CV-R1022-S14.dgn

5/26/2021 9:29:00 AM

cordo

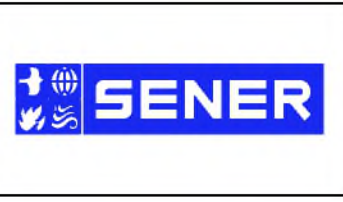


SHELDON STREET "SS"
PROFILE
 HORIZ: 1"=100'
 VERT: 1"=10'
 DESIGN SPEED 50 MPH

STATION	9+00	11+00	13+00	15+00	17+00	19+00	21+00	23+00	25+00	27+00	29+00	TOTAL
CY	Exc											
	Emb											

DESIGNED BY
J.C. ALAMILLA
 DRAWN BY
A. SANZ
 CHECKED BY
W. GUO
 IN CHARGE
A. RELANO
 DATE
04/30/2021

PEPD RECORD SET
 REV 02
NOT FOR CONSTRUCTION



CALIFORNIA HIGH-SPEED RAIL PROJECT
PALMDALE TO BURBANK
 ALIGNMENT "REFINED SR14"
 ROADWAY PROFILE
 SHELDON STREET

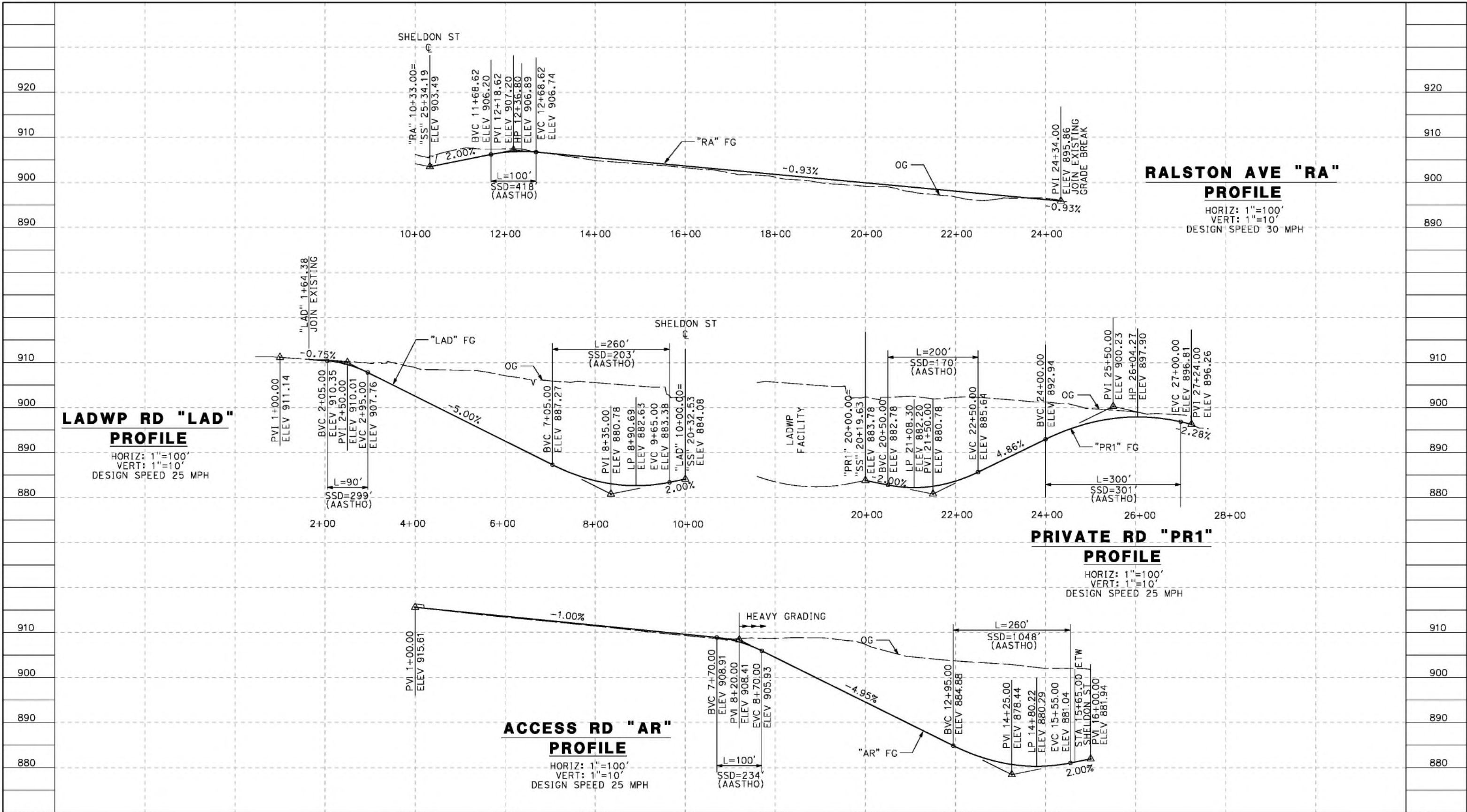
CONTRACT NO.
HSR14-42
 DRAWING NO.
CV-R1022-S14
 SCALE
AS SHOWN
 SHEET NO.

REV	DATE	BY	CHK	APP	DESCRIPTION

ct:\pwworkingdir\sener-us-pw-bentley.com_sener-us-pw-01\ad\ta\cordoba\dms24258V9B-CV-R1023-S14.dgn

5/26/2021 9:15:24 PM

cordo



STATION	1+00	3+00	5+00	7+00	9+00	11+00	13+00	15+00	TOTAL
CY	Exc								
	Emb								

REV	DATE	BY	CHK	APP	DESCRIPTION

DESIGNED BY
J.C. ALAMILLA
DRAWN BY
A. SANZ
CHECKED BY
W. GUO
IN CHARGE
A. RELANO
DATE
04/30/2021

**PEPD RECORD SET
REV 02
NOT FOR
CONSTRUCTION**



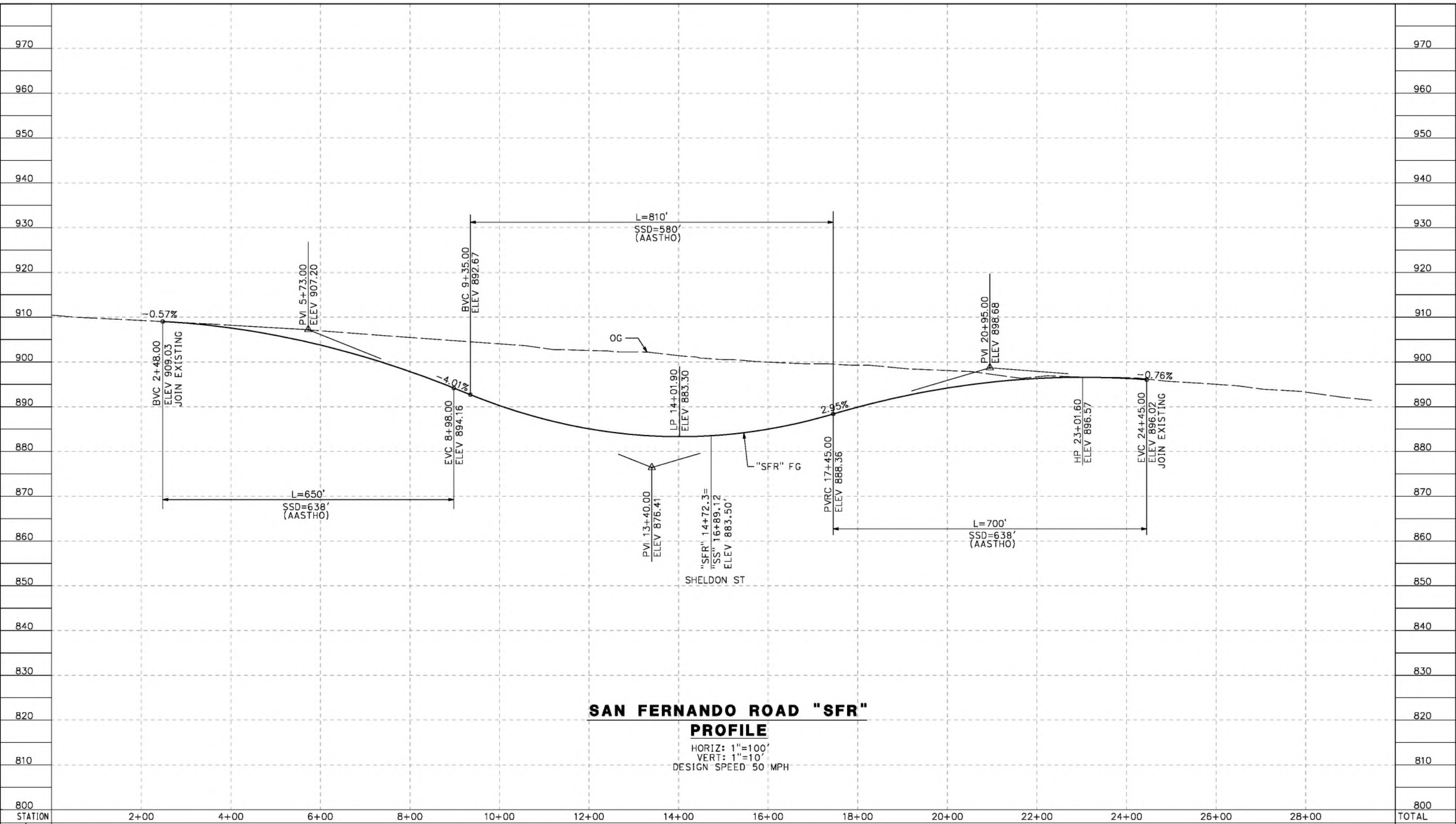
**CALIFORNIA HIGH-SPEED RAIL PROJECT
PALMDALE TO BURBANK**
ALIGNMENT "REFINED SR14"
ROADWAY PROFILE
RALSTON AVE, PRIVATE RD 1, LADWP RD AND ACCESS RD

CONTRACT NO.
HSR14-42
DRAWING NO.
CV-R1023-S14
SCALE
AS SHOWN
SHEET NO.

ct:\pwworkingdir\sener-us-pw-bentley.com_sener-us-pw-01\dl\ta.cordoba\dms24258VPB-CV-R1024-S14.dgn

5/27/2021 5:58:18 AM

cordo



SAN FERNANDO ROAD "SFR" PROFILE

HORIZ: 1"=100'
 VERT: 1"=10'
 DESIGN SPEED 50 MPH

STATION	2+00	4+00	6+00	8+00	10+00	12+00	14+00	16+00	18+00	20+00	22+00	24+00	26+00	28+00	TOTAL
Exc															
Emb															

REV	DATE	BY	CHK	APP	DESCRIPTION

DESIGNED BY
J.C. ALAMILLA
 DRAWN BY
A. SANZ
 CHECKED BY
W. GUO
 IN CHARGE
A. RELANO
 DATE
04/30/2021

**PEPD RECORD SET
 REV 02
 NOT FOR
 CONSTRUCTION**



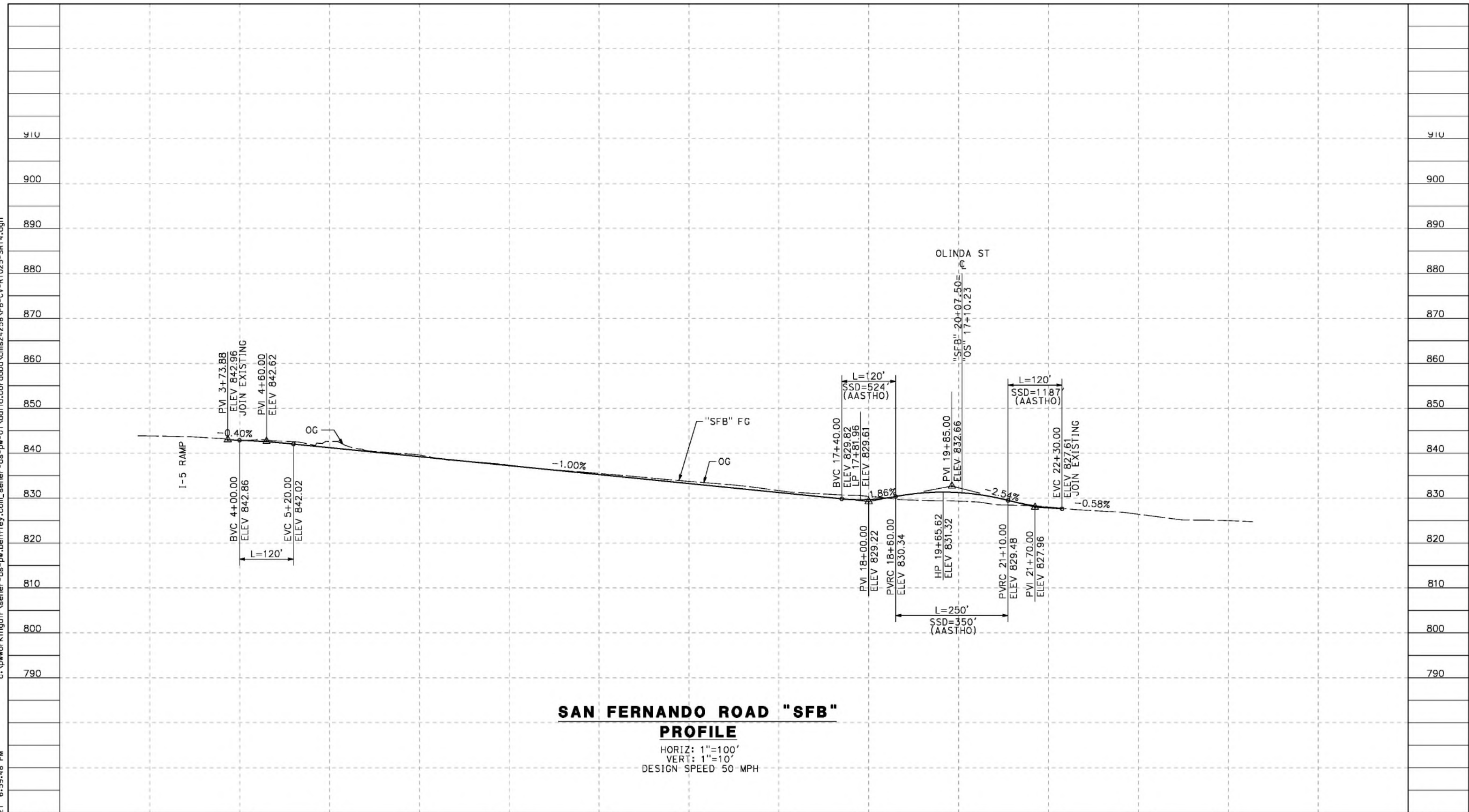
**CALIFORNIA HIGH-SPEED RAIL PROJECT
 PALMDALE TO BURBANK**
 ALIGNMENT "REFINED SR14"
 ROADWAY PROFILE
 SAN FERNANDO ROAD "SFR"

CONTRACT NO.
HSR14-42
 DRAWING NO.
CV-R1024-S14
 SCALE
AS SHOWN
 SHEET NO.

ct:\pwworkingdir\sener-us-pw-bentley.com_sener-us-pw-01\california\cordoba\dms24258V7B-CV-R1025-SR14.dgn

5/23/2021 6:59:48 PM

cordo



SAN FERNANDO ROAD "SFB" PROFILE

HORIZ: 1"=100'
 VERT: 1"=10'
 DESIGN SPEED 50 MPH

STATION	2+00	4+00	6+00	8+00	10+00	12+00	14+00	16+00	18+00	20+00	22+00	24+00	26+00	TOTAL
CY	Exc													
	Emb													

REV	DATE	BY	CHK	APP	DESCRIPTION

DESIGNED BY
J.C. ALAMILLA
 DRAWN BY
A. SANZ
 CHECKED BY
W. GUO
 IN CHARGE
A. RELANO
 DATE
04/30/2021

**PEPD RECORD SET
 REV 02**
**NOT FOR
 CONSTRUCTION**



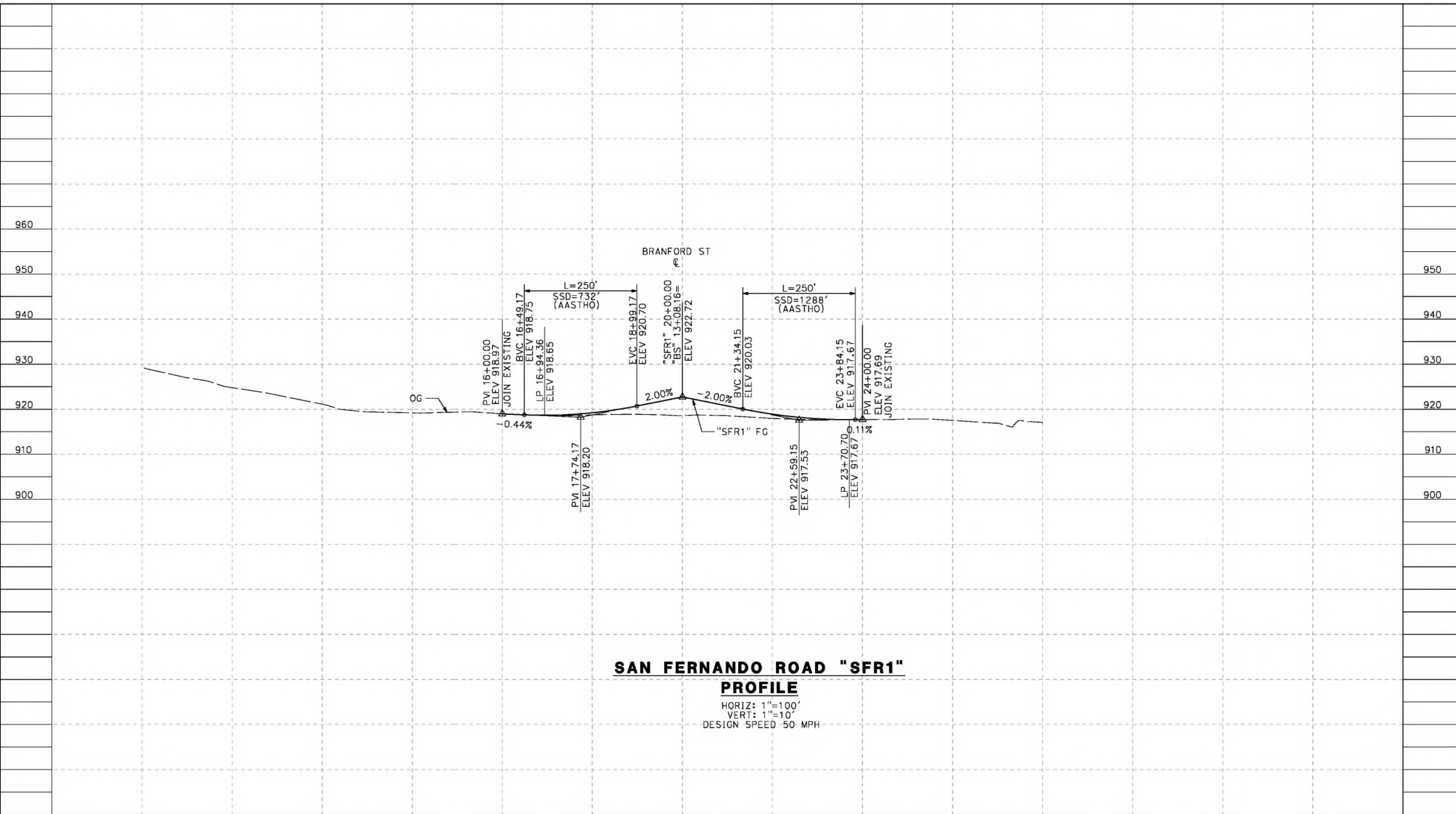
**CALIFORNIA HIGH-SPEED RAIL PROJECT
 PALMDALE TO BURBANK**
 ALIGNMENT "REFINED SR14"
 ROADWAY PROFILE
 SAN FERNANDO ROAD "SFB"

CONTRACT NO.
HSR14-42
 DRAWING NO.
CV-R1025-S14
 SCALE
AS SHOWN
 SHEET NO.

ct:\pwworkingdir\sener-us-pw-bentley.com_sener-us-pw-01\da\ta_cordoba\dms24258VPB-CV-R1026-S14.dgn

5/23/2021 6:30:17 PM

cordo



SAN FERNANDO ROAD "SFR1"
PROFILE
 HORIZ: 1"=100'
 VERT: 1"=10'
 DESIGN SPEED 50 MPH

STATION	14+00	16+00	18+00	20+00	22+00	24+00	26+00	28+00	TOTAL
CY	Exc								
	Emb								

DESIGNED BY
J.C. ALAMILLA
 DRAWN BY
A. SANZ
 CHECKED BY
W. GUO
 IN CHARGE
A. RELANO
 DATE
04/30/2021

PEPD RECORD SET
 REV 02
NOT FOR CONSTRUCTION



CALIFORNIA HIGH-SPEED RAIL PROJECT
PALMDALE TO BURBANK
 ALIGNMENT "REFINED SR14"
 ROADWAY PROFILE
 SAN FERNANDO ROAD "SFR1"

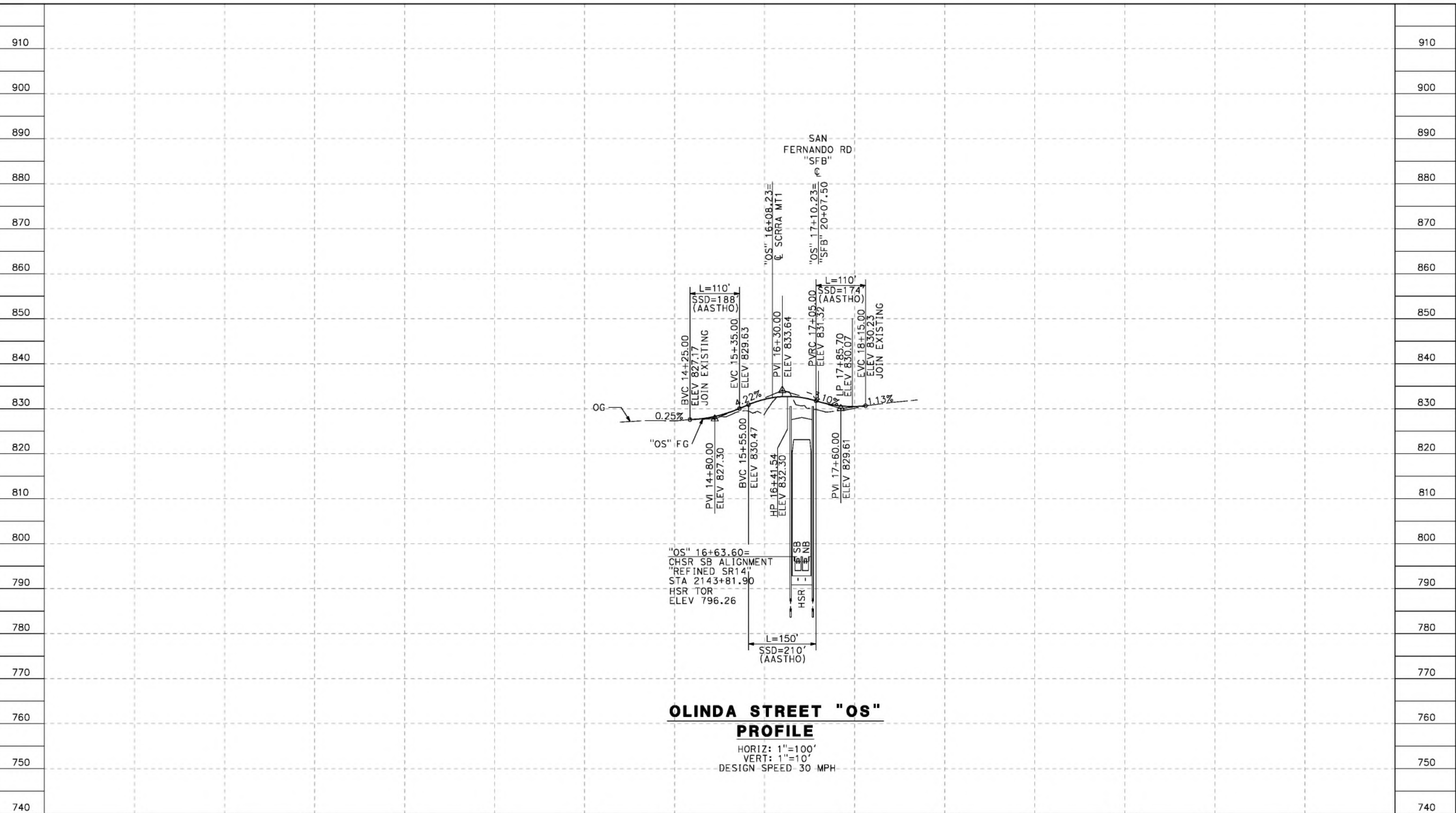
CONTRACT NO.
HSR14-42
 DRAWING NO.
CV-R1026-S14
 SCALE
AS SHOWN
 SHEET NO.

REV	DATE	BY	CHK	APP	DESCRIPTION

c:\pwworkingdir\sener-us-pw-bentley.com_sener-us-pw-01\california\cordoba\dms24258VPB-CV-R1029-S14.dgn

5/23/2021 6:30:30 PM

cordo



**OLINDA STREET "OS"
PROFILE**

HORIZ: 1"=100'
VERT: 1"=10'
DESIGN SPEED 30 MPH

STATION	2+00	4+00	6+00	8+00	10+00	12+00	14+00	16+00	18+00	20+00	22+00	24+00	26+00	28+00	TOTAL
CY	Exc														
	Emb														

DESIGNED BY
J.C. ALAMILLA
DRAWN BY
A. SANZ
CHECKED BY
W. GUO
IN CHARGE
A. RELANO
DATE
04/30/2021

**PEPD RECORD SET
REV 02
NOT FOR
CONSTRUCTION**



**CALIFORNIA HIGH-SPEED RAIL PROJECT
PALMDALE TO BURBANK**
ALIGNMENT "REFINED SR14"
ROADWAY PROFILE
OLINDA STREET

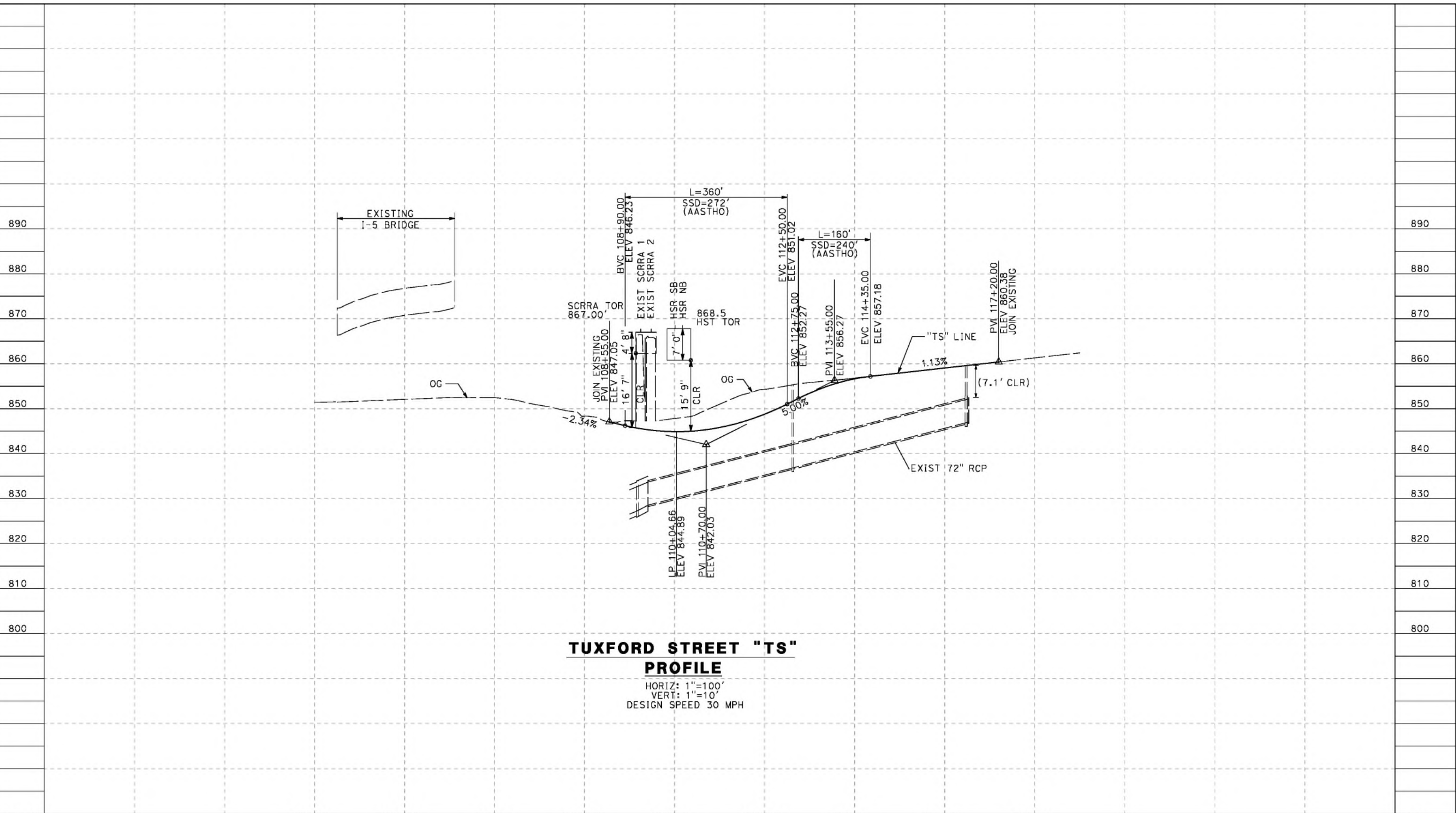
CONTRACT NO.
HSR14-42
DRAWING NO.
CV-R1029-S14
SCALE
AS SHOWN
SHEET NO.

REV	DATE	BY	CHK	APP	DESCRIPTION

ct:\pwworkingdir\sener-us-pw-bentley.com_sener-us-pw-01\ddal\ca_cordoba\dms24258VPB-CV-R1030-S14.dgn

5/23/2021 6:30:49 PM

cordo



TUXFORD STREET "TS" PROFILE
 HORIZ: 1"=100'
 VERT: 1"=10'
 DESIGN SPEED 30 MPH

STATION	102+00	104+00	106+00	108+00	110+00	112+00	114+00	116+00	118+00	TOTAL
Exc										
Emb										

DESIGNED BY
J.C. ALAMILLA
 DRAWN BY
A. SANZ
 CHECKED BY
W. GUO
 IN CHARGE
A. RELANO
 DATE
04/30/2021

**PEPD RECORD SET
REV 02
NOT FOR
CONSTRUCTION**



**CALIFORNIA HIGH-SPEED RAIL PROJECT
PALMDALE TO BURBANK**
 ALIGNMENT "REFINED SR14"
 ROADWAY PROFILE
 TUXFORD STREET

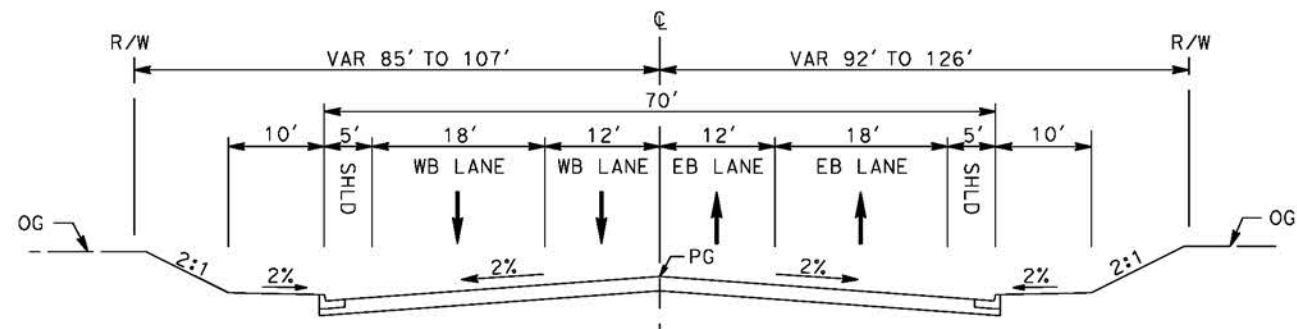
CONTRACT NO.
HSR14-42
 DRAWING NO.
CV-R1030-S14
 SCALE
AS SHOWN
 SHEET NO.

REV	DATE	BY	CHK	APP	DESCRIPTION

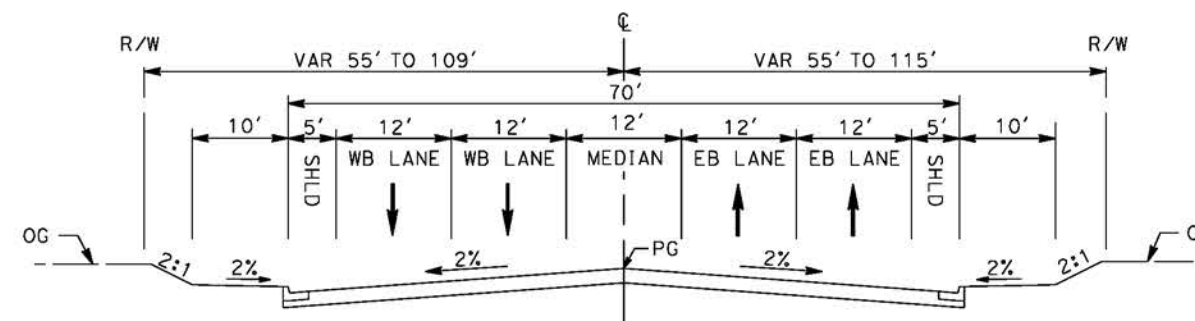
c:\pwworkingdir\sener-us-pw-bentley.com_sener-us-pw-01\do\cordoba\dms24258VPB-CV-R3001-S14.dgn

5/19/2021 9:37:05 PM

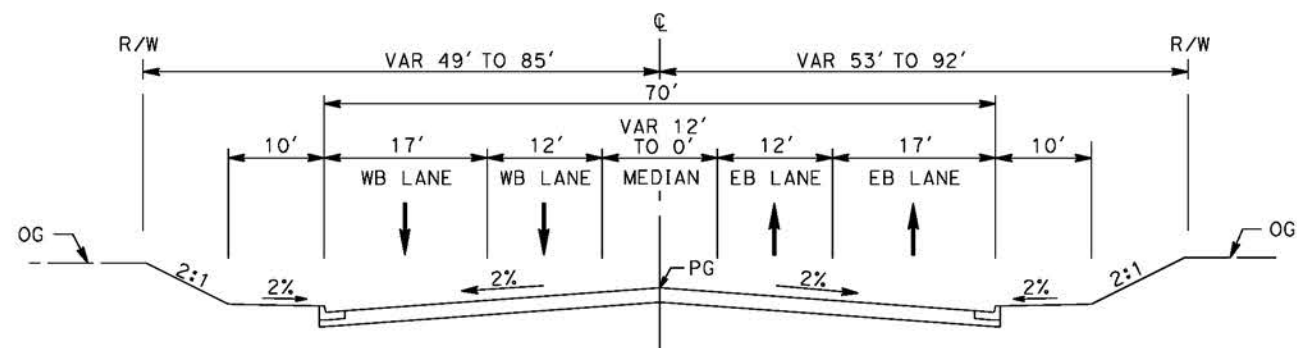
cordo



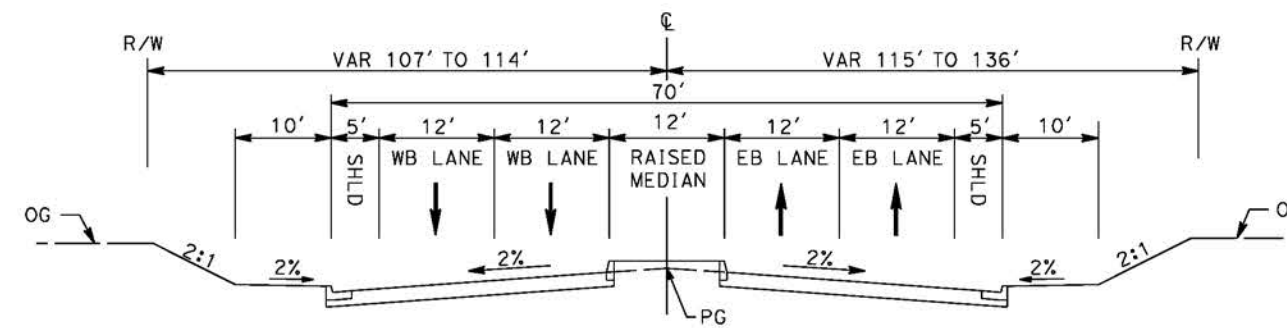
E BARREL SPRINGS ROAD
 STA 25+75 TO STA 34+00
 SECONDARY HIGHWAY
 PER LOS ANGELES COUNTY MASTER PLAN OF HIGHWAYS



E BARREL SPRINGS ROAD
 STA 39+48 TO STA 47+23
 SECONDARY HIGHWAY
 PER LOS ANGELES COUNTY MASTER PLAN OF HIGHWAYS



E BARREL SPRINGS ROAD
 STA 16+30 TO STA 25+75
 SECONDARY HIGHWAY
 PER LOS ANGELES COUNTY MASTER PLAN OF HIGHWAYS



E BARREL SPRINGS ROAD
 STA 34+00 TO STA 39+48
 SECONDARY HIGHWAY
 PER LOS ANGELES COUNTY MASTER PLAN OF HIGHWAYS

REV	DATE	BY	CHK	APP	DESCRIPTION

DESIGNED BY
J.C. ALAMILLA
 DRAWN BY
A. SANZ
 CHECKED BY
W. GUO
 IN CHARGE
A. RELANO
 DATE
04/30/2021

PEPD RECORD SET
 REV 02
NOT FOR CONSTRUCTION



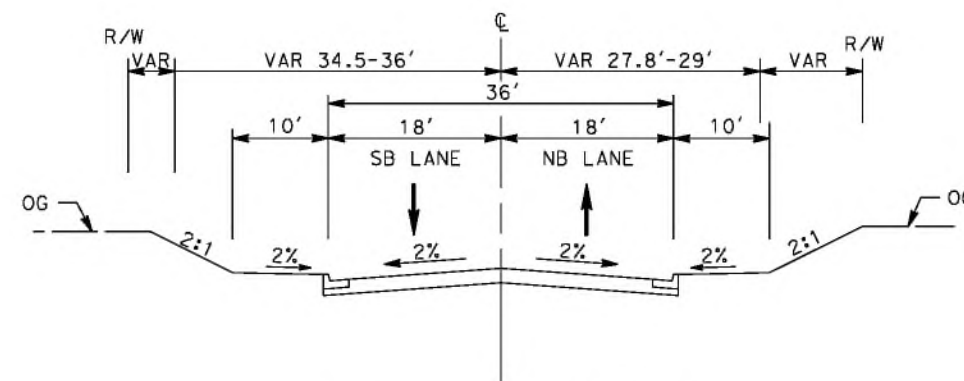
CALIFORNIA HIGH-SPEED RAIL PROJECT
PALMDALE TO BURBANK
 ALIGNMENT "REFINED SR14"
 TYPICAL SECTIONS
 E BARREL SPRINGS ROAD

CONTRACT NO.
HSR14-42
 DRAWING NO.
CV-R3001-S14
 SCALE
NO SCALE
 SHEET NO.

ct:\pwworkingdir\sener-us-pw-bentley.com_sener-us-pw-01\dalila.cordoba\dms24258V7B-CV-R3002-S14.dgn

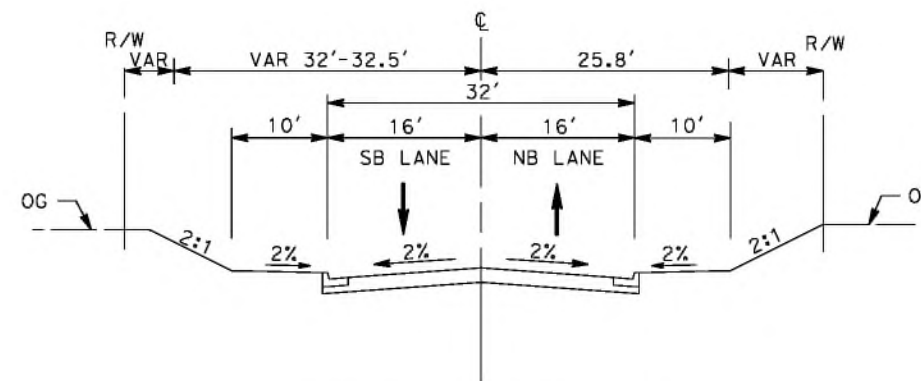
5/19/2021 9:41:07 PM

cordo



SIXTH STREET EAST

STA 10+00 TO STA 13+60
 INTERIOR LOCAL STREET
 PER LOS ANGELES COUNTY CODE OF ORDINANCES
 CHAPTER 21 PARTS 2 AND 3



SIXTH STREET EAST

STA 7+50 TO STA 9+65
 CUL-DE-SAC STREET
 PER LOS ANGELES COUNTY CODE OF ORDINANCES
 CHAPTER 21 PARTS 2 AND 3

REV	DATE	BY	CHK	APP	DESCRIPTION

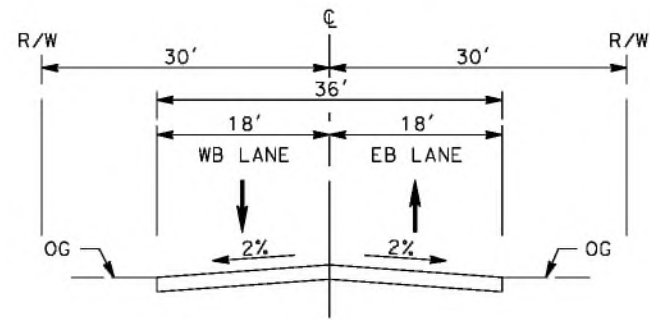
DESIGNED BY
 J.C. ALAMILLA
 DRAWN BY
 A. SANZ
 CHECKED BY
 W. GUO
 IN CHARGE
 A. RELANO
 DATE
 04/30/2021

PEPD RECORD SET
 REV 02
NOT FOR CONSTRUCTION



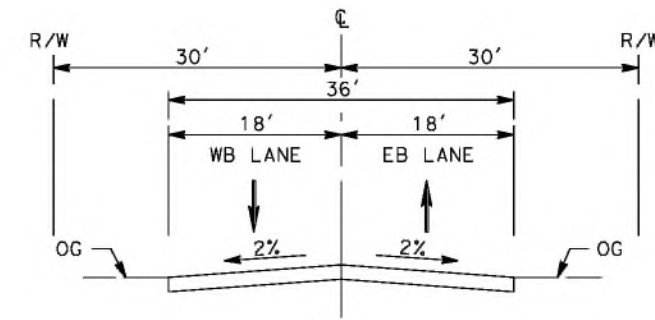
CALIFORNIA HIGH-SPEED RAIL PROJECT
PALMDALE TO BURBANK
 ALIGNMENT "REFINED SR14"
 TYPICAL SECTIONS
 SIXTH STREET EAST

CONTRACT NO.
 HSR14-42
 DRAWING NO.
 CV-R3002-S14
 SCALE
 NO SCALE
 SHEET NO.



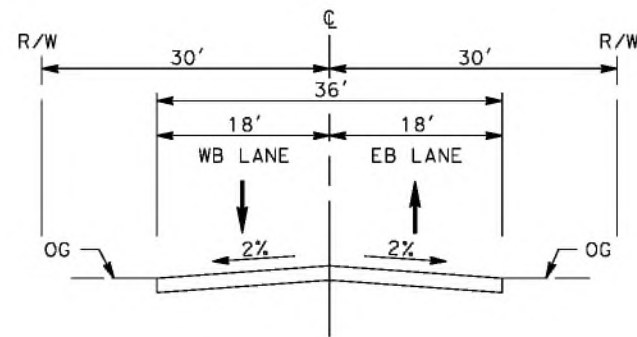
HAROLD THIRD STREET

INTERIOR LOCAL STREET
 PER LOS ANGELES COUNTY CODE OF ORDINANCES
 CHAPTER 21 PARTS 2 AND 3



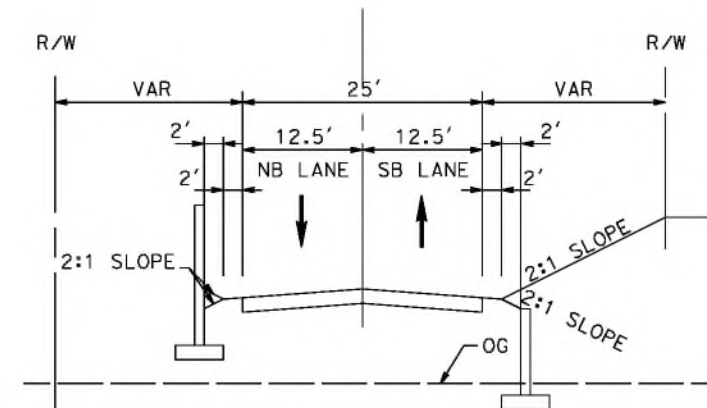
HAROLD FIFTH STREET

INTERIOR LOCAL STREET
 PER LOS ANGELES COUNTY CODE OF ORDINANCES
 CHAPTER 21 PARTS 2 AND 3



HAROLD DATE AVE

INTERIOR LOCAL STREET
 PER LOS ANGELES COUNTY CODE OF ORDINANCES
 CHAPTER 21 PARTS 2 AND 3



E BARREL SPRINGS ACCESS ROAD

STA 0+00 TO STA 20+00
 INTERIOR LOCAL STREET
 PER LOS ANGELES COUNTY CODE OF ORDINANCES
 CHAPTER 21 PARTS 2 AND 3

ct:\pwworkingdir\sener-us-pw-bentley.com_sener-us-pw-01\dalila.cordoba\dms24258V7B-CV-R3003-S14.dgn

5/26/2021 9:44:12 PM

cordo

REV	DATE	BY	CHK	APP	DESCRIPTION

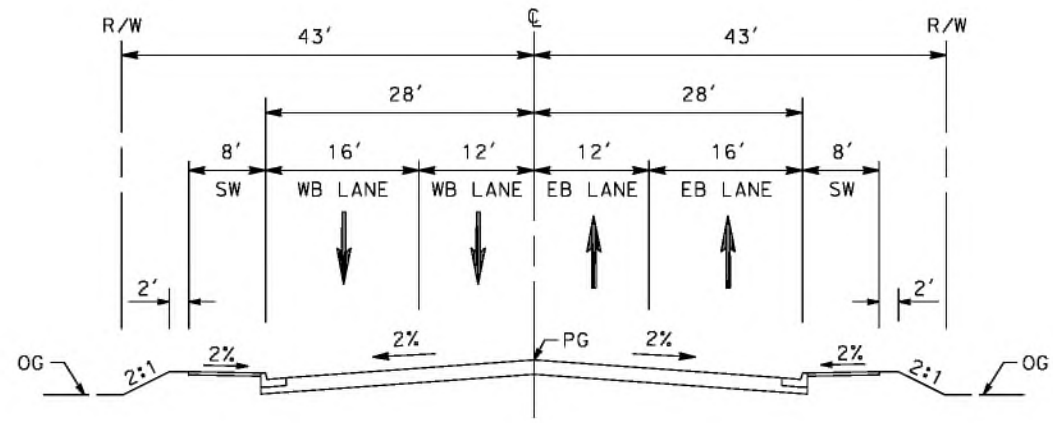
DESIGNED BY
J.C. ALAMILLA
 DRAWN BY
A. SANZ
 CHECKED BY
W. GUO
 IN CHARGE
A. RELANO
 DATE
04/30/2021

**PEPD RECORD SET
 REV 02
 NOT FOR
 CONSTRUCTION**

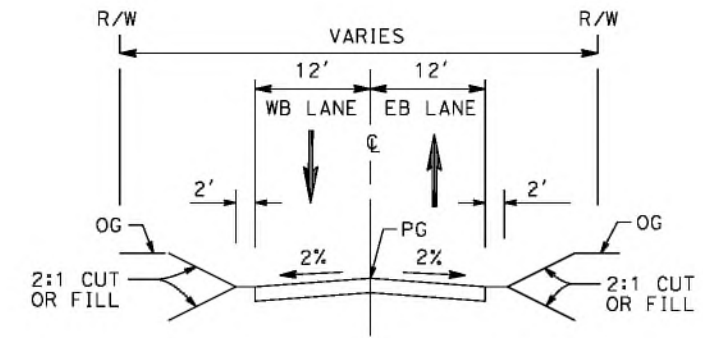


**CALIFORNIA HIGH-SPEED RAIL PROJECT
 PALMDALE TO BURBANK**
 ALIGNMENT "REFINED SR14"
 TYPICAL SECTIONS
 HAROLD THIRD STREET, HAROLD DATE AVE,
 HAROLD FIFTH STREET AND E BARREL SPRINGS ACCESS RD

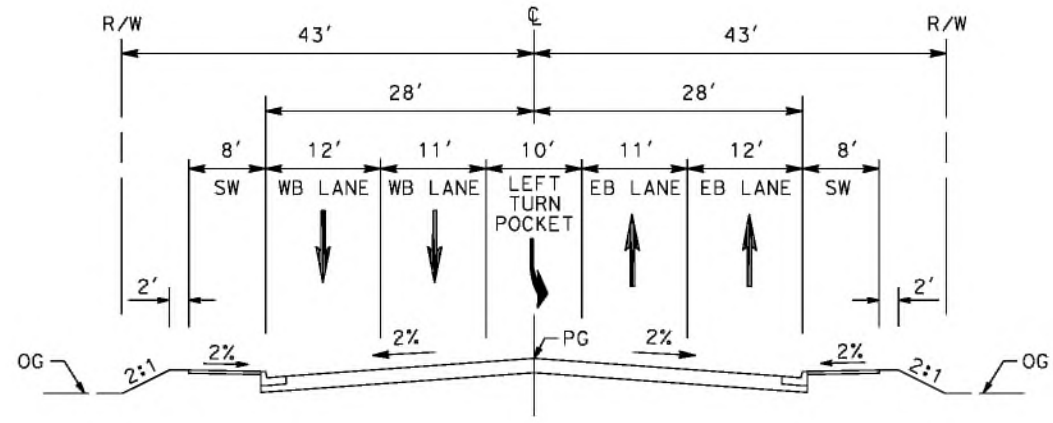
CONTRACT NO.
HSR14-42
 DRAWING NO.
CV-R3003-S14
 SCALE
NO SCALE
 SHEET NO.



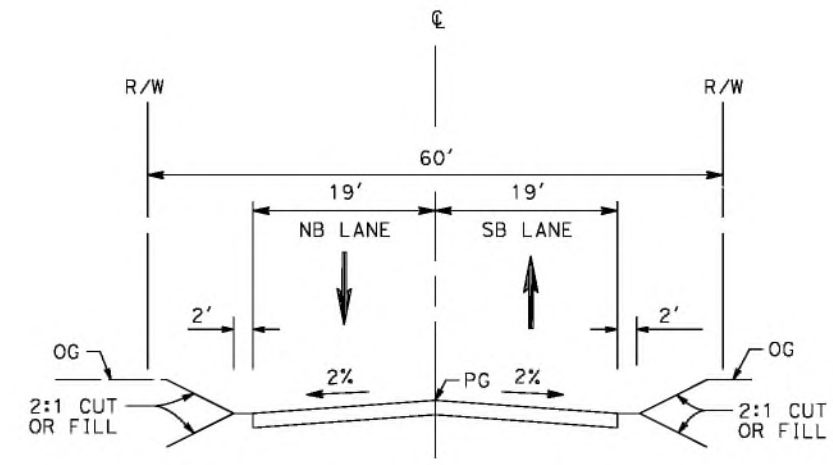
BRANFORD STREET
 STA 14+51 TO STA 25+80
 AVENUE II (SECONDARY HIGHWAY)
 PER CITY OF LOS ANGELES GENERAL PLAN 2035



ACCESS ROAD
 STA 1+00 TO STA 16+00
 LOCAL STREET
 PER CITY OF LOS ANGELES GENERAL PLAN 2035



BRANFORD STREET
 STA 13+34 TO STA 15+00
 AVENUE II (SECONDARY HIGHWAY)
 PER CITY OF LOS ANGELES GENERAL PLAN 2035



RALSTON AVENUE
 STA 10+31 TO STA 24+34
 LOCAL STREET
 PER CITY OF LOS ANGELES GENERAL PLAN 2035

ct:\pwworkingdir\sener-us-pw-bentley.com_sener-us-pw-01\dal\ta_cordoba\dms24258V7B-CV-R3004-S14.dgn

4/30/2021 10:33:09 PM

cordo

REV	DATE	BY	CHK	APP	DESCRIPTION

DESIGNED BY
J.C. ALAMILLA
 DRAWN BY
A. SANZ
 CHECKED BY
W. GUO
 IN CHARGE
A. RELANO
 DATE
04/30/2021

PEPD RECORD SET
REV 02
NOT FOR CONSTRUCTION



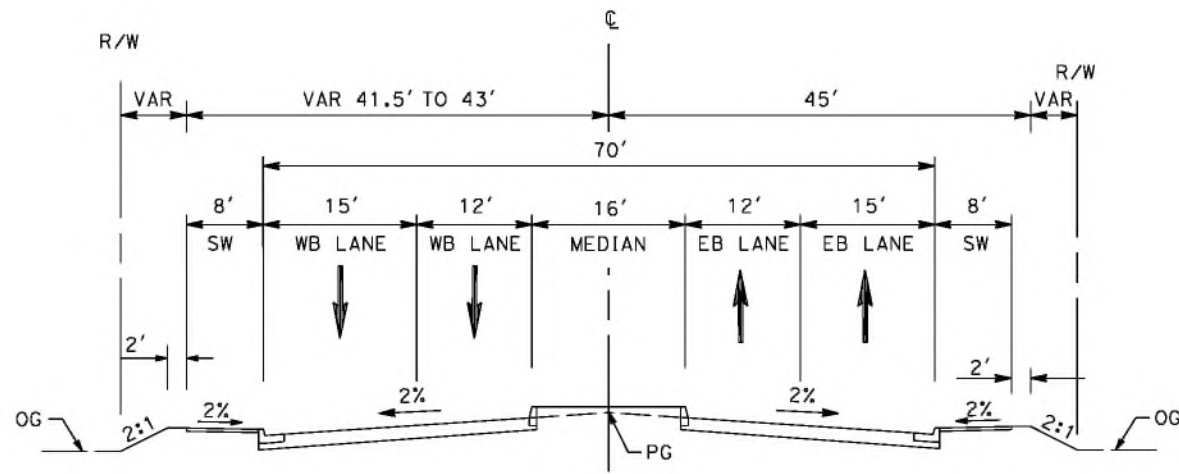
CALIFORNIA HIGH-SPEED RAIL PROJECT
PALMDALE TO BURBANK
 ALIGNMENT "REFINED SR14"
 TYPICAL SECTIONS
 BRANFORD ST, RALSTON AVE AND ACCESS RD

CONTRACT NO.
HSR14-42
 DRAWING NO.
CV-R3004-S14
 SCALE
NO SCALE
 SHEET NO.

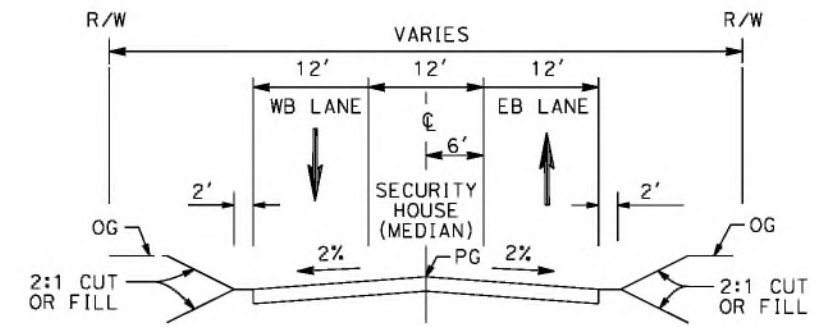
ct:\pwworkingdir\sener-us-pw-bentley.com_sener-us-pw-01\dal\cordoba\dms24258V7B-CV-R3005-S14.dgn

4/30/2021 10:34:59 PM

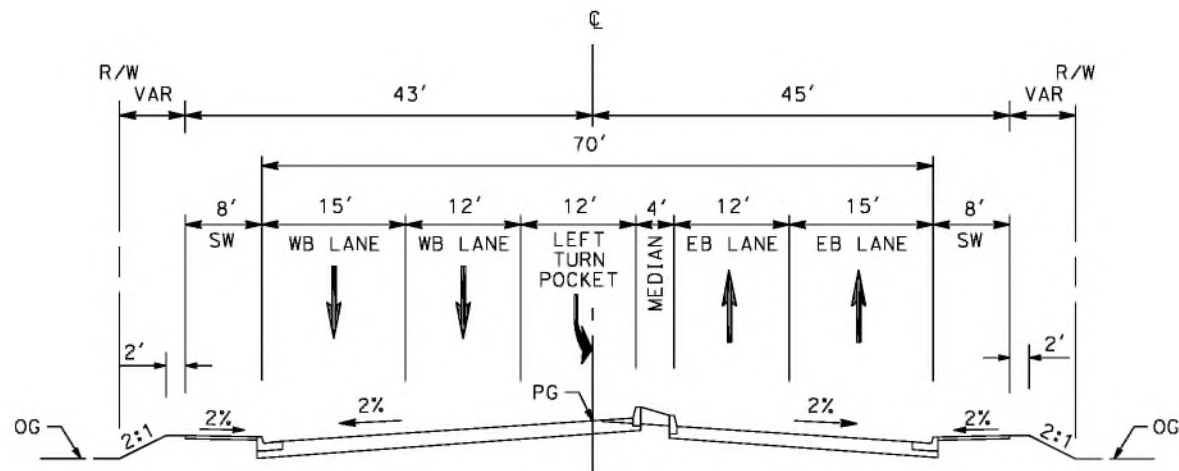
cordo



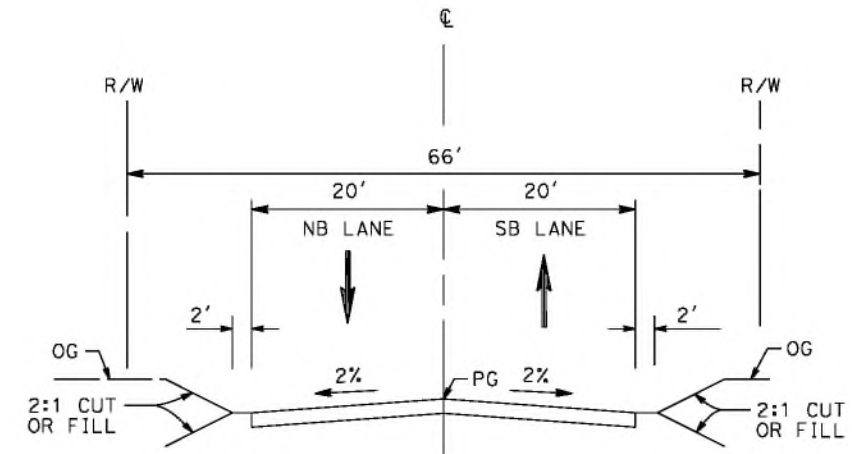
SHELDON STREET
 STA 10+25 TO STA 12+70
 AVENUE II (SECONDARY HIGHWAY)
 PER CITY OF LOS ANGELES GENERAL PLAN 2035



LADWP ROAD
 STA 1+00 TO STA 10+00



SHELDON STREET
 STA 8+88 TO STA 10+25
 AVENUE II (SECONDARY HIGHWAY)
 PER CITY OF LOS ANGELES GENERAL PLAN 2035



PRIVATE ROAD 1
 STA 12+64 TO STA 27+24

REV	DATE	BY	CHK	APP	DESCRIPTION

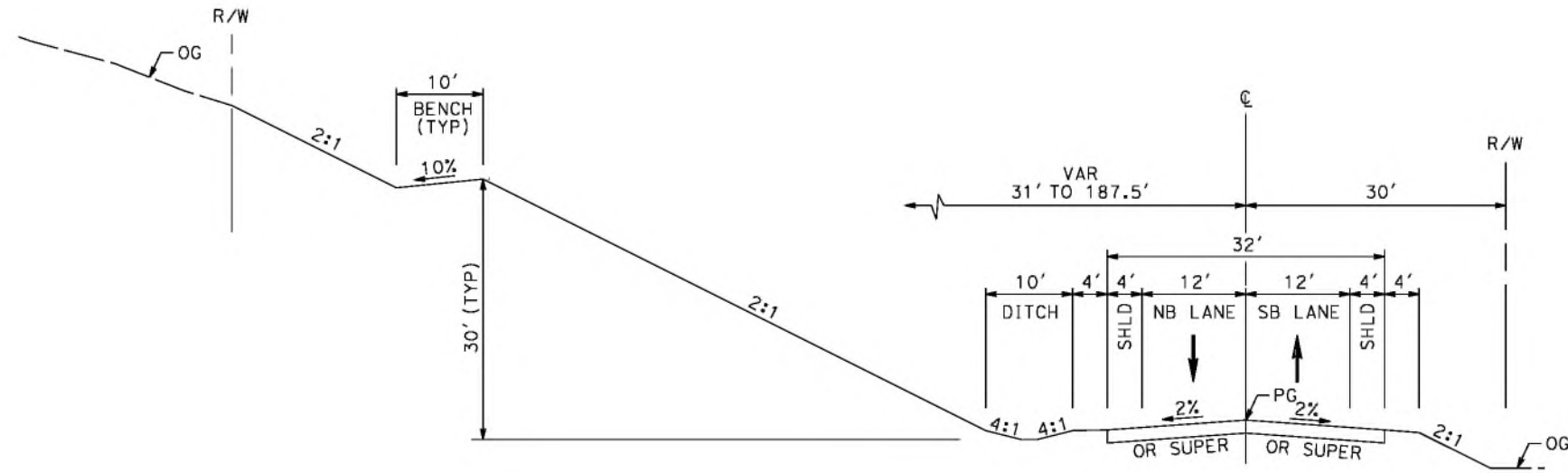
DESIGNED BY
J.C. ALAMILLA
 DRAWN BY
A. SANZ
 CHECKED BY
W. GUO
 IN CHARGE
A. RELANO
 DATE
04/30/2021

PEPD RECORD SET
 REV 02
NOT FOR CONSTRUCTION

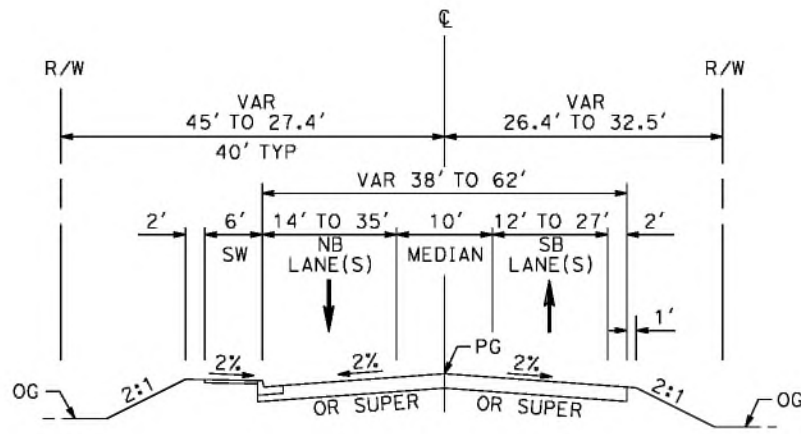


CALIFORNIA HIGH-SPEED RAIL PROJECT
PALMDALE TO BURBANK
 ALIGNMENT "REFINED SR14"
 TYPICAL SECTIONS
 SHELDON ST, PRIVATE RD 1 AND LADWP RD

CONTRACT NO.
HSR14-42
 DRAWING NO.
CV-R3005-S14
 SCALE
NO SCALE
 SHEET NO.



SIERRA HIGHWAY
 STA 728+48 TO 774+80
 MAJOR ARTERIAL (B1)
 PER CITY OF PALMDALE GENERAL PLAN



SIERRA HIGHWAY
 STA 706+68 TO STA 728+48
 MAJOR ARTERIAL (B1)
 PER CITY OF PALMDALE GENERAL PLAN

c:\pwworkingdir\sener-us-pw-bentley.com_sener-us-pw-01\dal\ta_cordoba\dms24258VPB-CV-R3006-S14.dgn

4/30/2021 10:36:26 PM

cordo

REV	DATE	BY	CHK	APP	DESCRIPTION

DESIGNED BY
J.C. ALAMILLA

DRAWN BY
A. SANZ

CHECKED BY
W. GUO

IN CHARGE
A. RELANO

DATE
04/30/2021

PEPD RECORD SET
 REV 02

NOT FOR CONSTRUCTION



CALIFORNIA HIGH-SPEED RAIL PROJECT
PALMDALE TO BURBANK
 ALIGNMENT "REFINED SR14"
 TYPICAL SECTIONS
 SIERRA HIGHWAY
 SHEET 1 OF 2

CONTRACT NO.
HSR14-42

DRAWING NO.
CV-R3006-S14

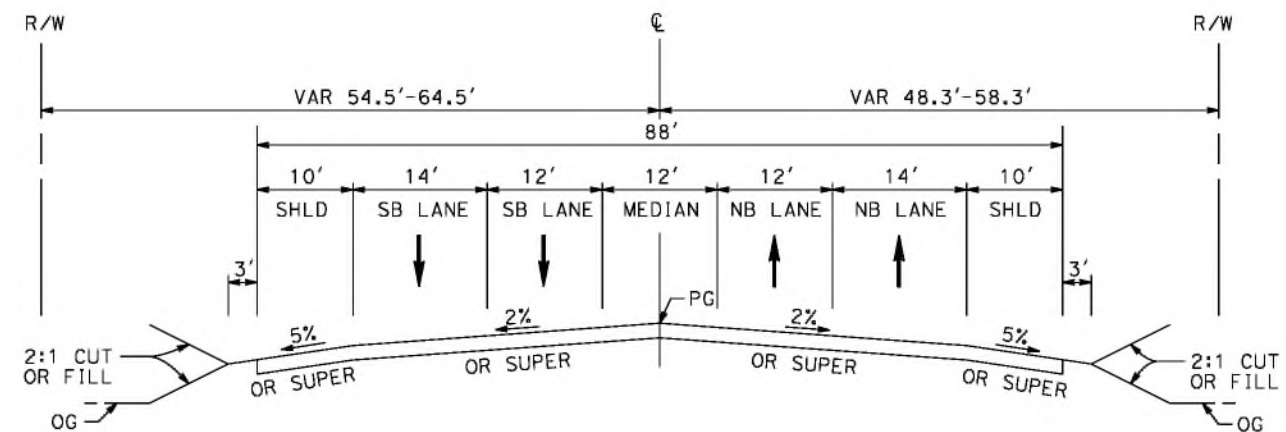
SCALE
NO SCALE

SHEET NO.

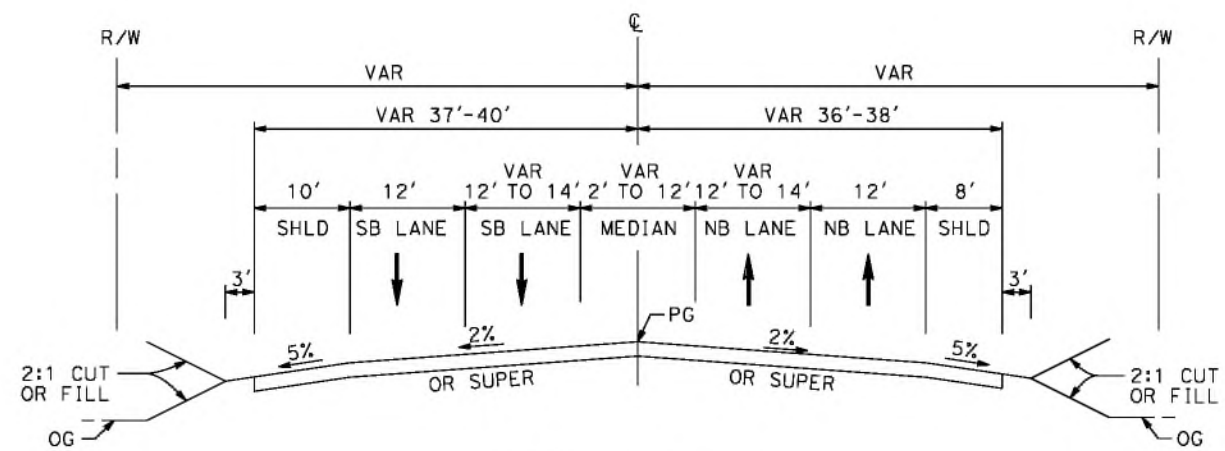
ct:\pwworkingdir\sener-us-pw-bentley.com_sener-us-pw-01\dalila.cordoba\dms24258V7B-CV-R3007-S14.dgn

4/30/2021 10:37:45 PM

cordo



SIERRA HIGHWAY
 STA 6+78.00 TO STA 34+50.00
 MAJOR HIGHWAY
 PER LOS ANGELES COUNTY
 MASTER PLAN OF HIGHWAYS



SIERRA HIGHWAY
 STA 4+27 TO STA 6+78
 MAJOR HIGHWAY
 PER LOS ANGELES COUNTY
 MASTER PLAN OF HIGHWAYS

REV	DATE	BY	CHK	APP	DESCRIPTION

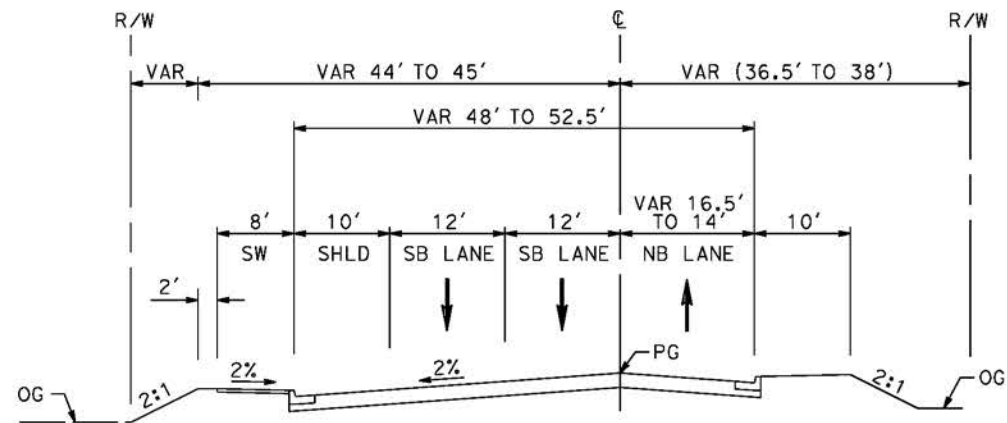
DESIGNED BY
J.C. ALAMILLA
 DRAWN BY
A. SANZ
 CHECKED BY
W. GUO
 IN CHARGE
A. RELANO
 DATE
04/30/2021

PEPD RECORD SET
 REV 02
NOT FOR CONSTRUCTION

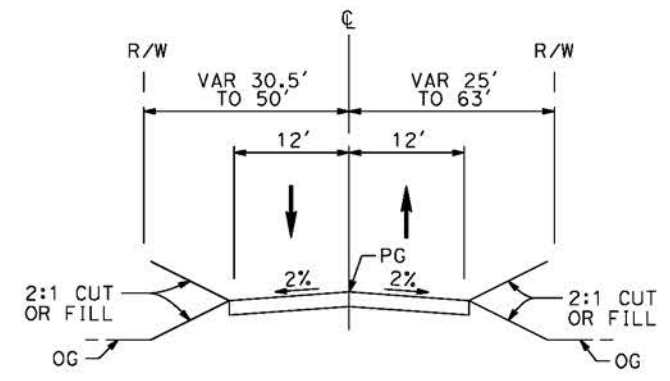


CALIFORNIA HIGH-SPEED RAIL PROJECT
PALMDALE TO BURBANK
 ALIGNMENT "REFINED SR14"
 TYPICAL SECTIONS
 SIERRA HIGHWAY
 SHEET 2 OF 2

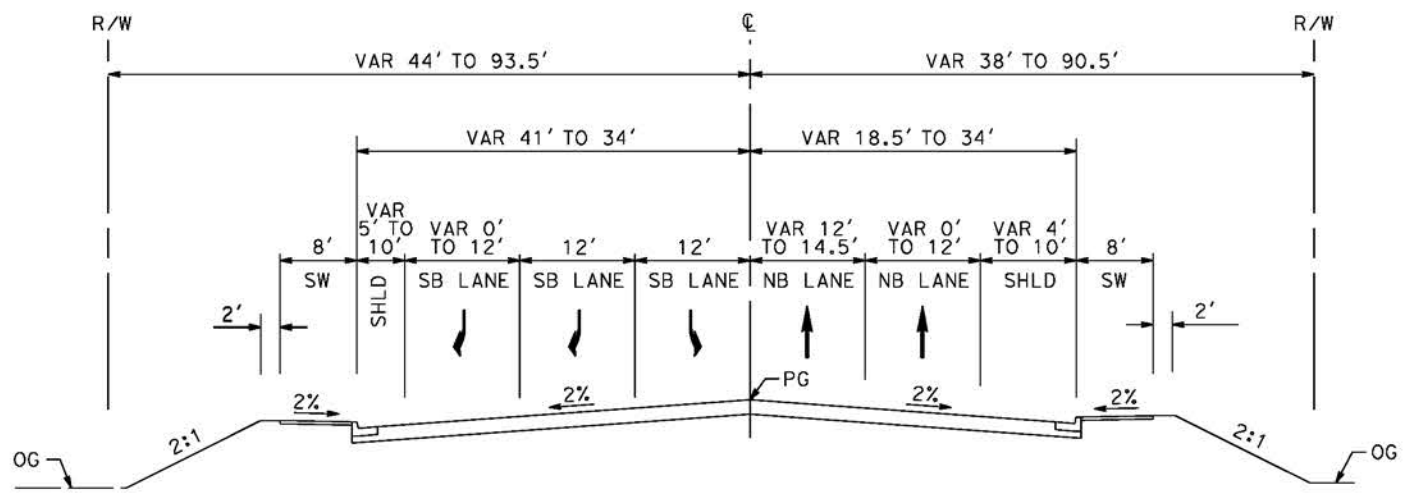
CONTRACT NO.	HSR14-42
DRAWING NO.	CV-R3007-S14
SCALE	NO SCALE
SHEET NO.	



EAST TENTH STREET
 STA 22+71 TO STA 32+38
 SECONDARY ARTERIAL
 PER CITY OF PALMDALE GENERAL PLAN



WATER TREATMENT PLANT ROAD ACCESS RD 2
 STA 0+00 TO STA 8+00



EAST TENTH STREET
 STA 10+49 TO STA 22+71
 SECONDARY ARTERIAL
 PER CITY OF PALMDALE GENERAL PLAN

c:\pwworkingdir\sener-us-pw-bentley.com_sener-us-pw-01\palmdale\cordoba\dms24258\FB-CV-R3008-S14.dgn
 5/26/2021 9:48:56 PM

REV	DATE	BY	CHK	APP	DESCRIPTION

DESIGNED BY
 J.C. ALAMILLA
 DRAWN BY
 A. SANZ
 CHECKED BY
 W. GUO
 IN CHARGE
 A. RELANO
 DATE
 04/30/2021

PEPD RECORD SET
REV 02

NOT FOR CONSTRUCTION



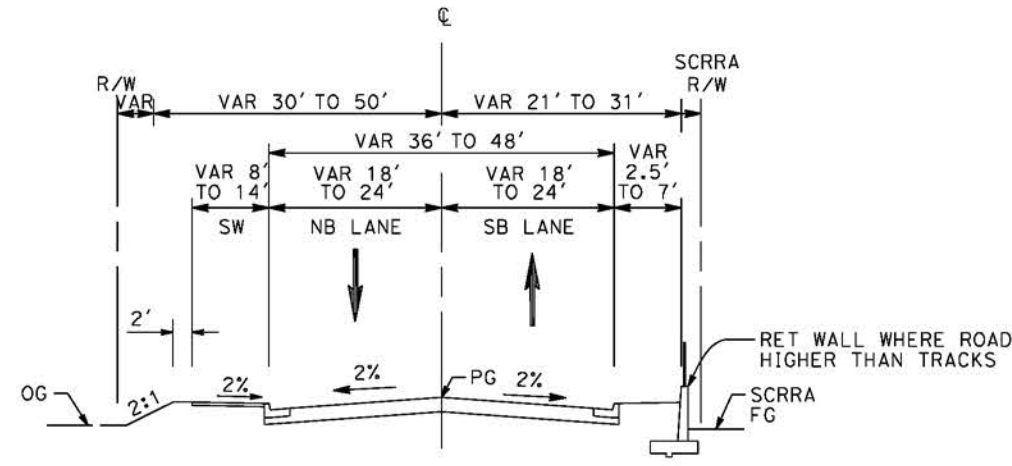
CALIFORNIA HIGH-SPEED RAIL PROJECT
PALMDALE TO BURBANK
 ALIGNMENT "REFINED SR14"
 TYPICAL SECTIONS
 EAST TENTH STREET
 AND WATER TREATMENT PLANT ACCESS RD 2

CONTRACT NO.	HSR14-42
DRAWING NO.	CV-R3008-S14
SCALE	NO SCALE
SHEET NO.	

cs:\pwworkingdir\sener-us-pw-bentley.com_sener-us-pw-01\dal\cordoba\dms24258VPB-CV-R3009-S14.dgn

4/30/2021 10:43:52 PM

cordo



SAN FERNANDO ROAD AT BRANDFORD
STA 16+00 TO STA 24+00

REV	DATE	BY	CHK	APP	DESCRIPTION

DESIGNED BY
J.C. ALAMILLA
DRAWN BY
A. SANZ
CHECKED BY
W. GUO
IN CHARGE
A. RELANO
DATE
04/30/2021

PEPD RECORD SET
REV 02
NOT FOR CONSTRUCTION



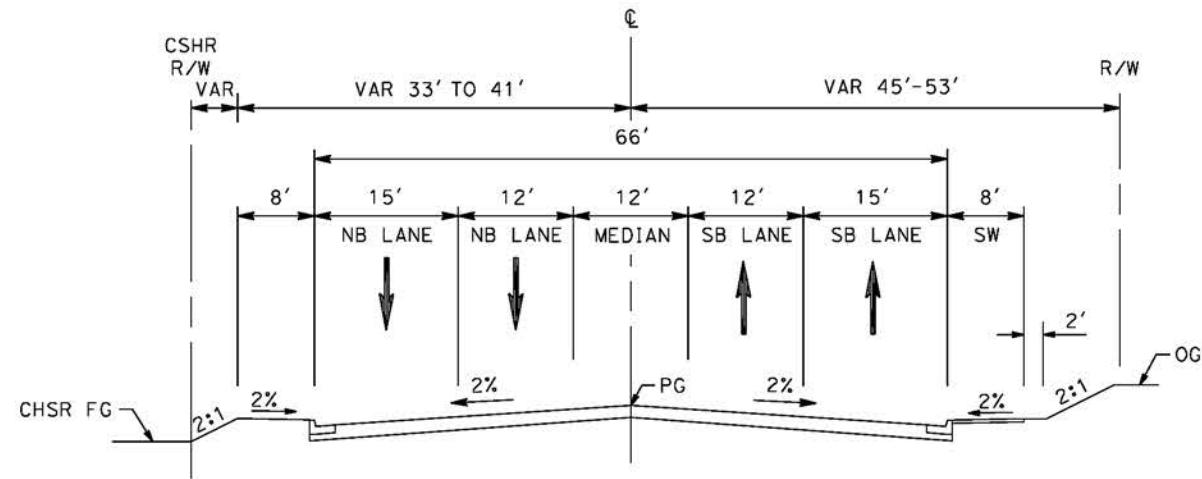
CALIFORNIA HIGH-SPEED RAIL PROJECT
PALMDALE TO BURBANK
ALIGNMENT "REFINED SR14"
TYPICAL SECTIONS
SAN FERNANDO ROAD
SHEET 1 OF 2

CONTRACT NO.
HSR14-42
DRAWING NO.
CV-R3009-S14
SCALE
NO SCALE
SHEET NO.

cs:\pwworkingdir\sener-us-pw-bentley.com_sener-us-pw-01\del\cordoba\dms24258VPB-CV-R3010-S14.dgn

4/30/2021 10:45:53 PM

cordo



SAN FERNANDO ROAD AT SHELDON
STA 2+48 TO STA 24+00

REV	DATE	BY	CHK	APP	DESCRIPTION

DESIGNED BY
J.C. ALAMILLA

DRAWN BY
A. SANZ

CHECKED BY
W. GUO

IN CHARGE
A. RELANO

DATE
04/30/2021

PEPD RECORD SET
REV 02

NOT FOR CONSTRUCTION



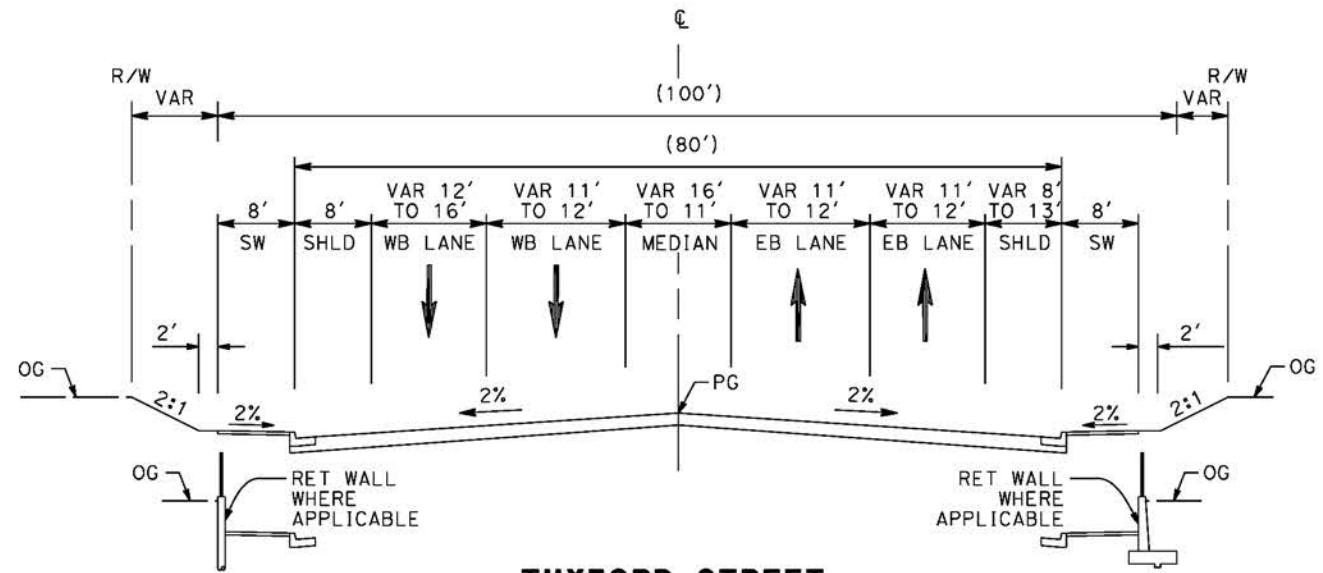
CALIFORNIA HIGH-SPEED RAIL PROJECT
PALMDALE TO BURBANK
ALIGNMENT "REFINED SR14"
TYPICAL SECTIONS
SAN FERNANDO ROAD
SHEET 2 OF 2

CONTRACT NO.
HSR14-42

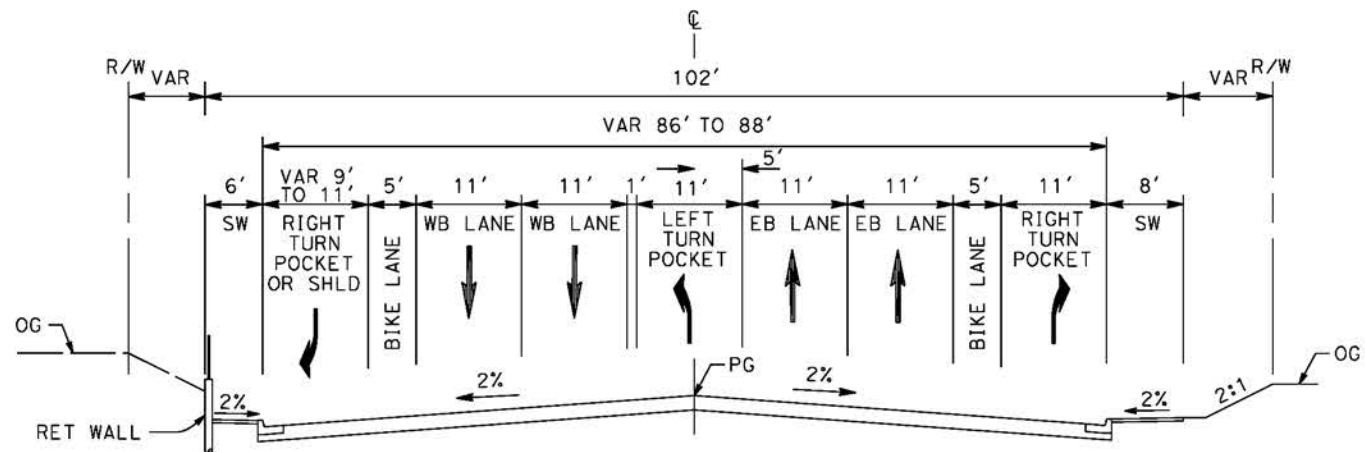
DRAWING NO.
CV-R3010-S14

SCALE
NO SCALE

SHEET NO.



TUXFORD STREET
 STA 108+33 TO STA 117+00
 BOULEVARD II (MAJOR HIGHWAY CLASS II)
 PER CITY OF LOS ANGELES GENERAL PLAN 2035



TUXFORD STREET
 STA 105+00 TO STA 108+33
 BOULEVARD II (MAJOR HIGHWAY CLASS II)
 PER CITY OF LOS ANGELES GENERAL PLAN 2035

c:\pwworkingdir\sener-us-pw-bentley.com_sener-us-pw-01\dal\cordoba\dms24258VPB-CV-R3011-S14.dgn

4/30/2021 10:49:05 PM

cordo

REV	DATE	BY	CHK	APP	DESCRIPTION

DESIGNED BY
J.C. ALAMILLA
 DRAWN BY
A. SANZ
 CHECKED BY
W. GUO
 IN CHARGE
A. RELANO
 DATE
04/30/2021

PEPD RECORD SET
 REV 02
NOT FOR CONSTRUCTION



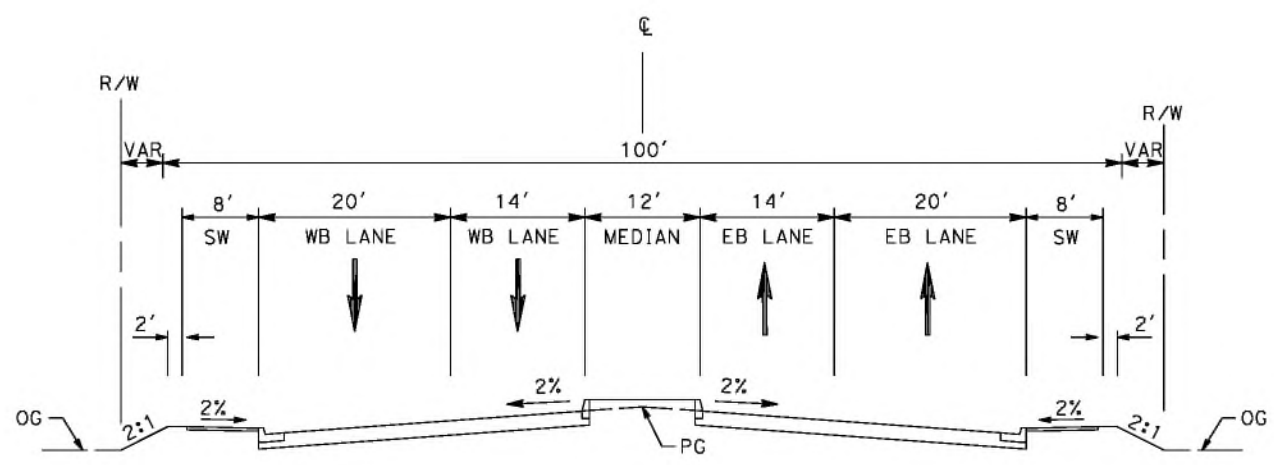
CALIFORNIA HIGH-SPEED RAIL PROJECT
PALMDALE TO BURBANK
 ALIGNMENT "REFINED SR14"
 TYPICAL SECTIONS
 TUXFORD STREET

CONTRACT NO.
HSR14-42
 DRAWING NO.
CV-R3011-S14
 SCALE
NO SCALE
 SHEET NO.

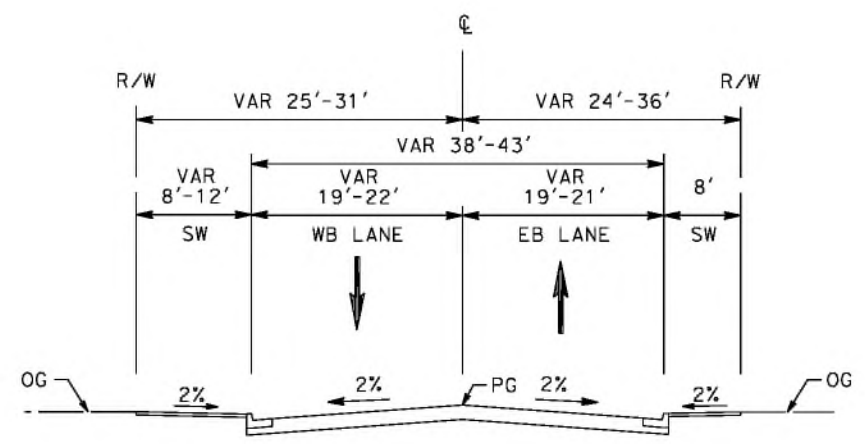
ct:\pwworkingdir\sener-us-pw-bentley.com_sener-us-pw-01\dalila.cordoba\dms24258V7B-CV-R3012-S14.dgn

4/30/2021 10:50:46 PM

cordo



OLINDA STREET
 STA 15+00 TO STA 17+50
 COLLECTOR STREET
 PER CITY OF LOS ANGELES GENERAL PLAN 2035



OLINDA STREET
 STA 13+50 TO STA 15+00
 AND STA 17+50 TO STA 18+20
 COLLECTOR STREET
 PER CITY OF LOS ANGELES GENERAL PLAN 2035

REV	DATE	BY	CHK	APP	DESCRIPTION

DESIGNED BY
J.C. ALAMILLA
 DRAWN BY
A. SANZ
 CHECKED BY
W. GUO
 IN CHARGE
A. RELANO
 DATE
04/30/2021

PEPD RECORD SET
 REV 02
NOT FOR CONSTRUCTION



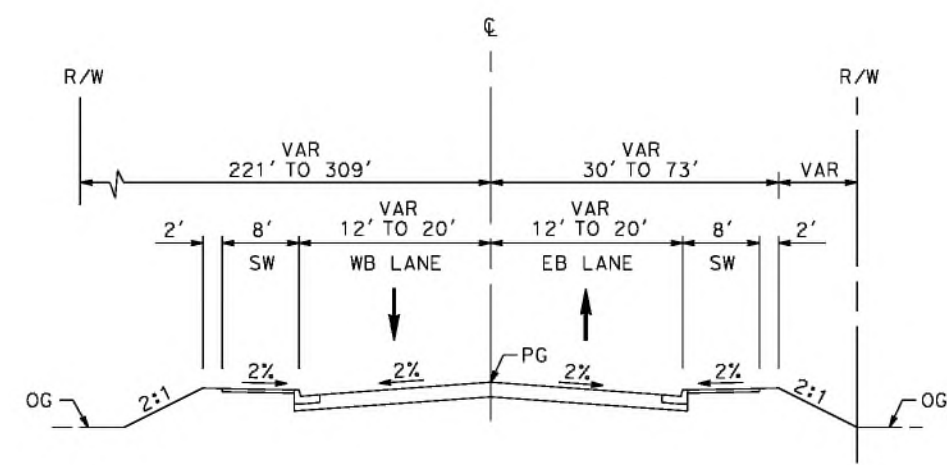
CALIFORNIA HIGH-SPEED RAIL PROJECT
PALMDALE TO BURBANK
 ALIGNMENT "REFINED SR14"
 TYPICAL SECTIONS
 OLINDA STREET

CONTRACT NO.
 HSR14-42
 DRAWING NO.
 CV-R3012-S14
 SCALE
 NO SCALE
 SHEET NO.

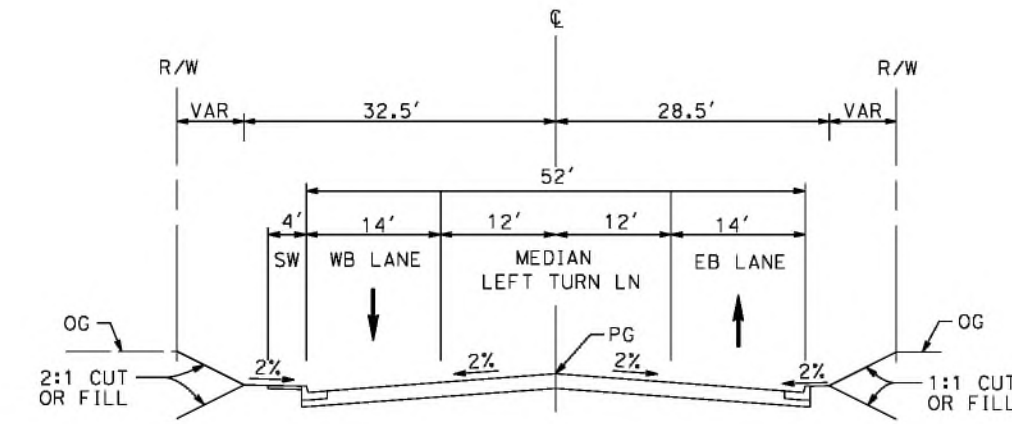
ct:\pwworkingdir\sener-us-pw-bentley.com_sener-us-pw-01\dalila_cordoba\dms24258V7B-CV-R3013-S14.dgn

4/30/2021 10:53:39 PM

cordo



VALLEY FORGE
 STA 10+34 TO 14+98
 RESIDENTIAL ENTRANCE STREET (E)
 PER CITY OF PALMDALE GENERAL PLAN



EAST AVENUE R11
 STA 10+36 TO STA 18+38
 LOCAL INTERIOR STREET (F1)
 PER CITY OF PALMDALE GENERAL PLAN

REV	DATE	BY	CHK	APP	DESCRIPTION

DESIGNED BY
J.C. ALAMILLA
 DRAWN BY
A. SANZ
 CHECKED BY
W. GUO
 IN CHARGE
A. RELANO
 DATE
04/30/2021

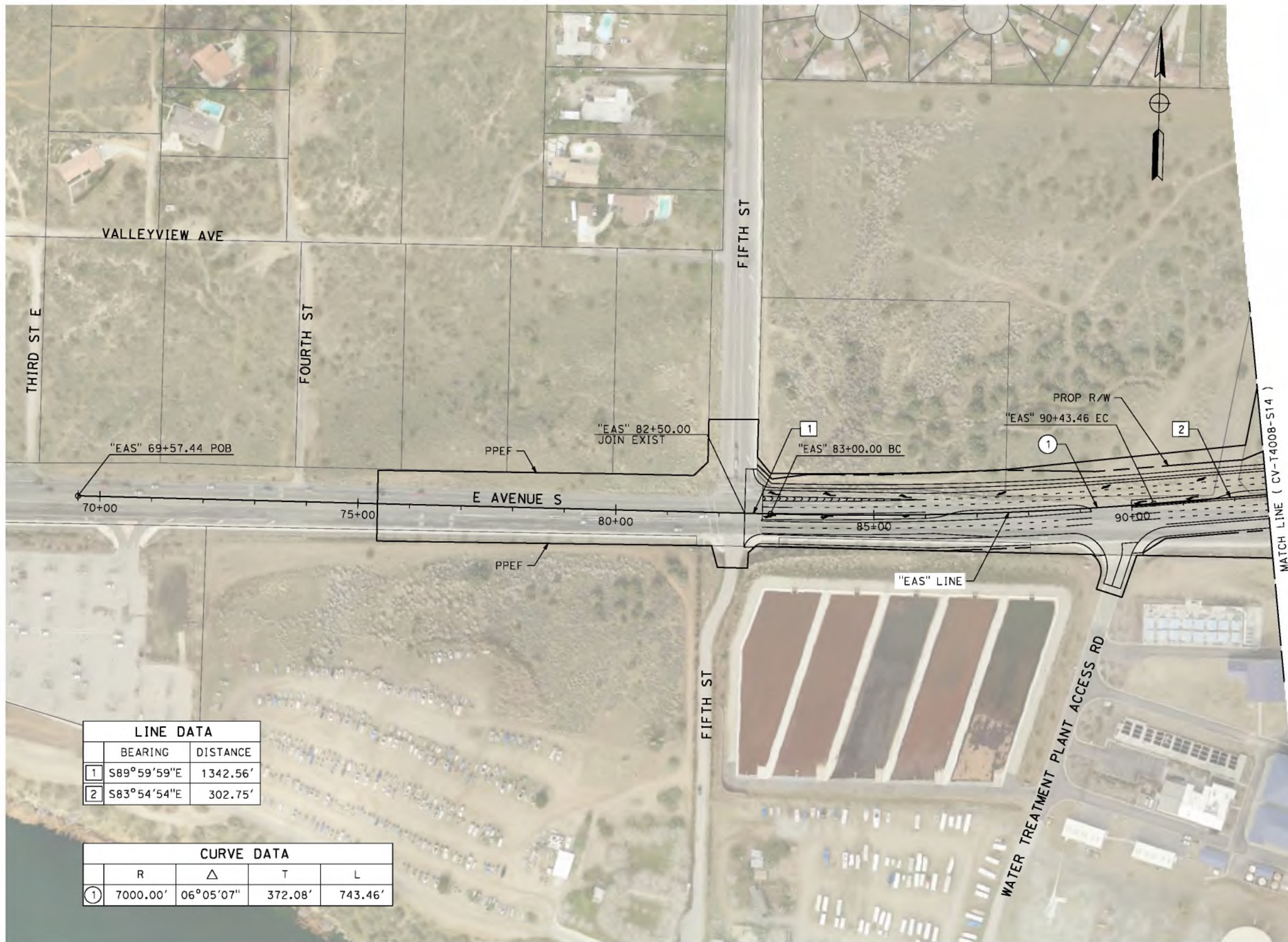
PEPD RECORD SET
 REV 02
NOT FOR CONSTRUCTION



CALIFORNIA HIGH-SPEED RAIL PROJECT
PALMDALE TO BURBANK
 ALIGNMENT "REFINED SR14"
 TYPICAL SECTIONS
 VALLEY FORGE AND EAST AVE R11

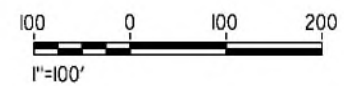
CONTRACT NO.
 HSR14-42
 DRAWING NO.
 CV-R3013-S14
 SCALE
 NO SCALE
 SHEET NO.

5/1/2021 10:07:42 AM c:\pwworkingdir\sener-us-pw-bentley.com_sener-us-pw-01\dal\ta\cordoba\dms24258v9b-cv-t4007-s14.dgn



LINE DATA		
	BEARING	DISTANCE
1	S89°59'59"E	1342.56'
2	S83°54'54"E	302.75'

CURVE DATA				
	R	Δ	T	L
1	7000.00'	06°05'07"	372.08'	743.46'



REV	DATE	BY	CHK	APP	DESCRIPTION

DESIGNED BY
J.C. ALAMILLA
DRAWN BY
A. SANZ
CHECKED BY
W. GUO
IN CHARGE
A. RELANO
DATE
04/30/2021

PEPD RECORD SET
REV 02
NOT FOR CONSTRUCTION



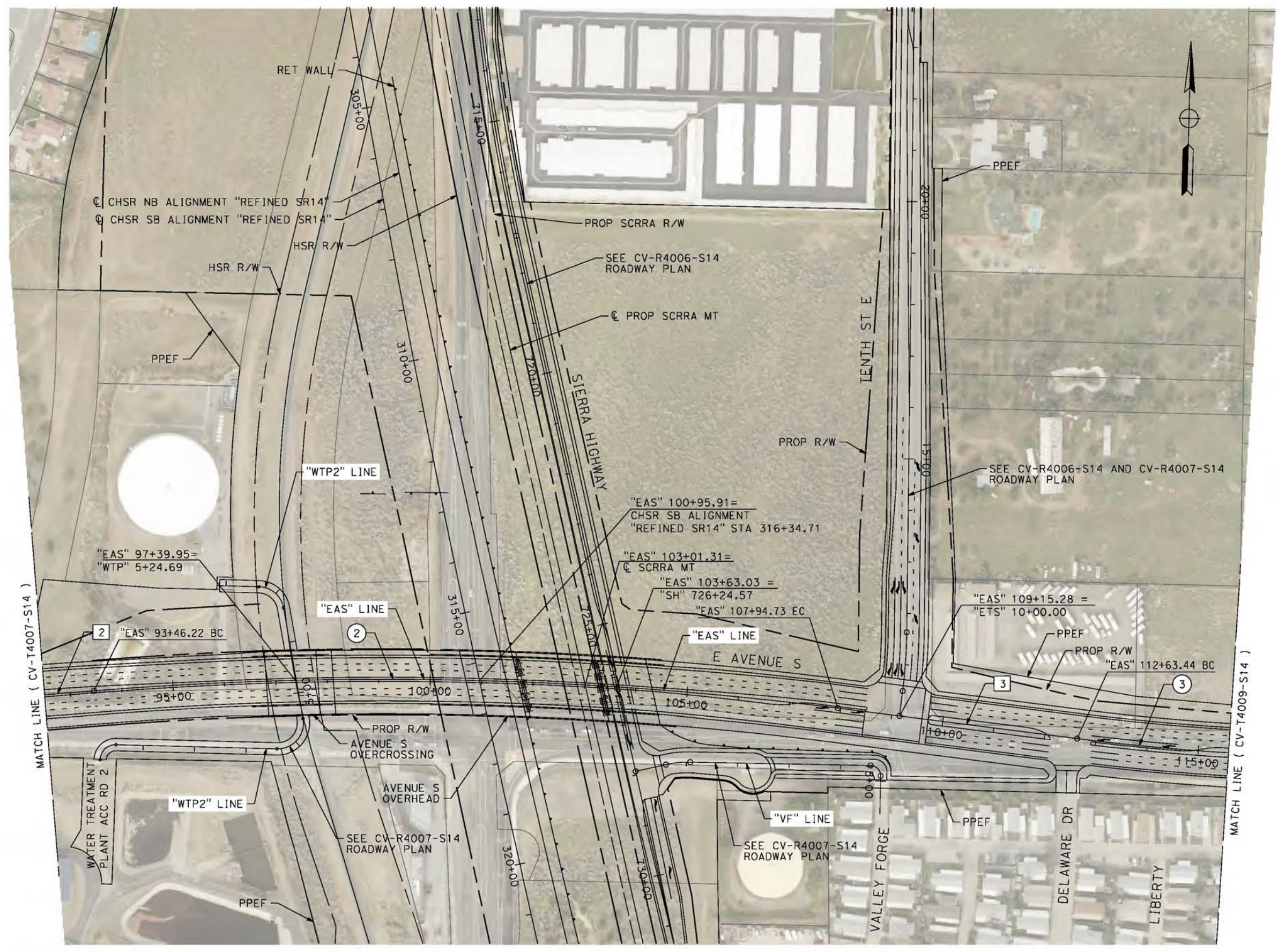
CALIFORNIA HIGH-SPEED RAIL PROJECT
PALMDALE TO BURBANK
ALIGNMENT "REFINED SR14"
GRADE SEPARATION PLAN
EAST AVENUE S
SHEET 1 OF 3

CONTRACT NO.
HSR14-42
DRAWING NO.
CV-T4007-S14
SCALE
AS SHOWN
SHEET NO.

cs:\pwworkingdir\sener-us-pw-bentley.com_sener-us-pw-01\dalila.cordoba\dms24258v7b-cv-t4008-s14.dgn

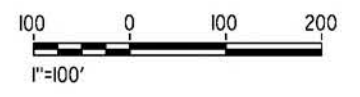
5/21/2021 8:41:47 AM

corcdo



LINE DATA		
	BEARING	DISTANCE
2	N83°54'54"E	302.75'
3	S84°14'45"E	468.71'

CURVE DATA				
	R	Δ	T	L
2	7010.00'	11°50'22"	726.85'	1448.51'
3	4500.00'	5°48'55"	228.56'	456.72'



REV	DATE	BY	CHK	APP	DESCRIPTION

DESIGNED BY
J.C. ALAMILLA
DRAWN BY
A. SANZ
CHECKED BY
W. GUO
IN CHARGE
A. RELANO
DATE
04/30/2021

PEPD RECORD SET
REV 02
NOT FOR CONSTRUCTION



CALIFORNIA HIGH-SPEED RAIL PROJECT
PALMDALE TO BURBANK
ALIGNMENT "REFINED SR14"
GRADE SEPARATION PLAN
EAST AVENUE S
SHEET 2 OF 3

CONTRACT NO.
HSR14-42
DRAWING NO.
CV-T4008-S14
SCALE
AS SHOWN
SHEET NO.

ct:\pwworkingdir\sener-us-pw-bentley.com_sener-us-pw-01\dalila.cordoba\dms24258VPB-CV-T4009-S14.dgn

5/2/2021 4:54:10 PM

cordo



LINE DATA	
BEARING	DISTANCE
7 S89°56'21"E	747.04'

CURVE DATA			
R	Δ	T	L
③ 4500.00'	5°48'55"	228.56'	456.72'

REV	DATE	BY	CHK	APP	DESCRIPTION

DESIGNED BY
J.C. ALAMILLA
DRAWN BY
A. SANZ
CHECKED BY
W. GUO
IN CHARGE
A. RELANO
DATE
04/30/2021

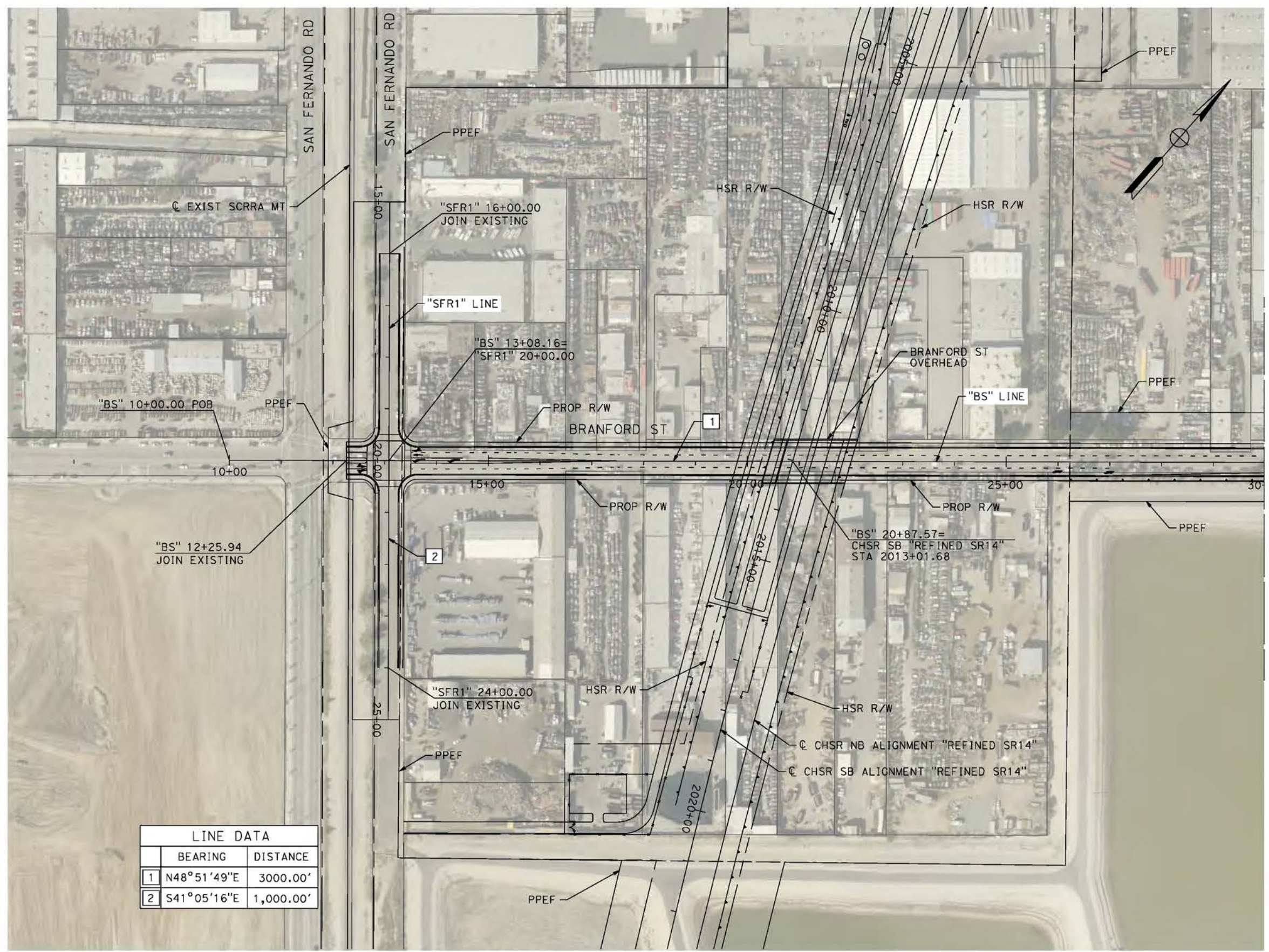
PEPD RECORD SET
REV 02
NOT FOR CONSTRUCTION



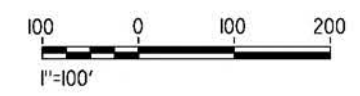
CALIFORNIA HIGH-SPEED RAIL PROJECT
PALMDALE TO BURBANK
ALIGNMENT "REFINED SR14"
GRADE SEPARATION PLAN
EAST AVENUE S
SHEET 3 OF 3

CONTRACT NO.
HSR14-42
DRAWING NO.
CV-T4009-S14
SCALE
AS SHOWN
SHEET NO.

5/20/2021 7:30:43 PM c:\pwworkingdir\sener-us-pw.bentley.com_sener-us-pw-01\dalila.cordoba\dms24258v7b-cv-t4019-s14.dgn



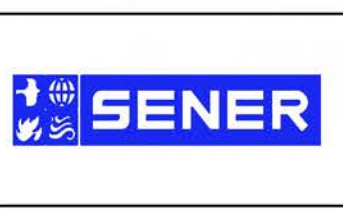
LINE DATA		
	BEARING	DISTANCE
1	N48°51'49"E	3000.00'
2	S41°05'16"E	1,000.00'



REV	DATE	BY	CHK	APP	DESCRIPTION

DESIGNED BY
J.C. ALAMILLA
DRAWN BY
A. SANZ
CHECKED BY
W. GUO
IN CHARGE
A. RELANO
DATE
04/30/2021

**PEPD RECORD SET
REV 02
NOT FOR
CONSTRUCTION**



**CALIFORNIA HIGH-SPEED RAIL PROJECT
PALMDALE TO BURBANK**
ALIGNMENT "REFINED SR14"
GRADE SEPARATION PLAN
BRANFORD STREET AND SAN FERNANDO ROAD "SFR1"
SHEET 1 OF 2

CONTRACT NO.
HSR14-42
DRAWING NO.
CV-T4019-S14
SCALE
AS SHOWN
SHEET NO.

ct:\pwworkingdir\sener-us-pw-bentley.com_sener-us-pw-01\dalio.cordova\dms24258\VPB-CV-T4020-S14.dgn

4/23/2021 6:28:31 PM

cor/cor



MATCH LINE (CV-T4019-S14)

LINE DATA	
BEARING	DISTANCE
1 N48°51'49"E	3000.00'



REV	DATE	BY	CHK	APP	DESCRIPTION

DESIGNED BY
D. CORDOBA
DRAWN BY
A. SANZ
CHECKED BY
R. RODRIGUEZ
IN CHARGE
A. RELANO
DATE
04/30/2021

PEPD RECORD SET
REV 02

NOT FOR CONSTRUCTION



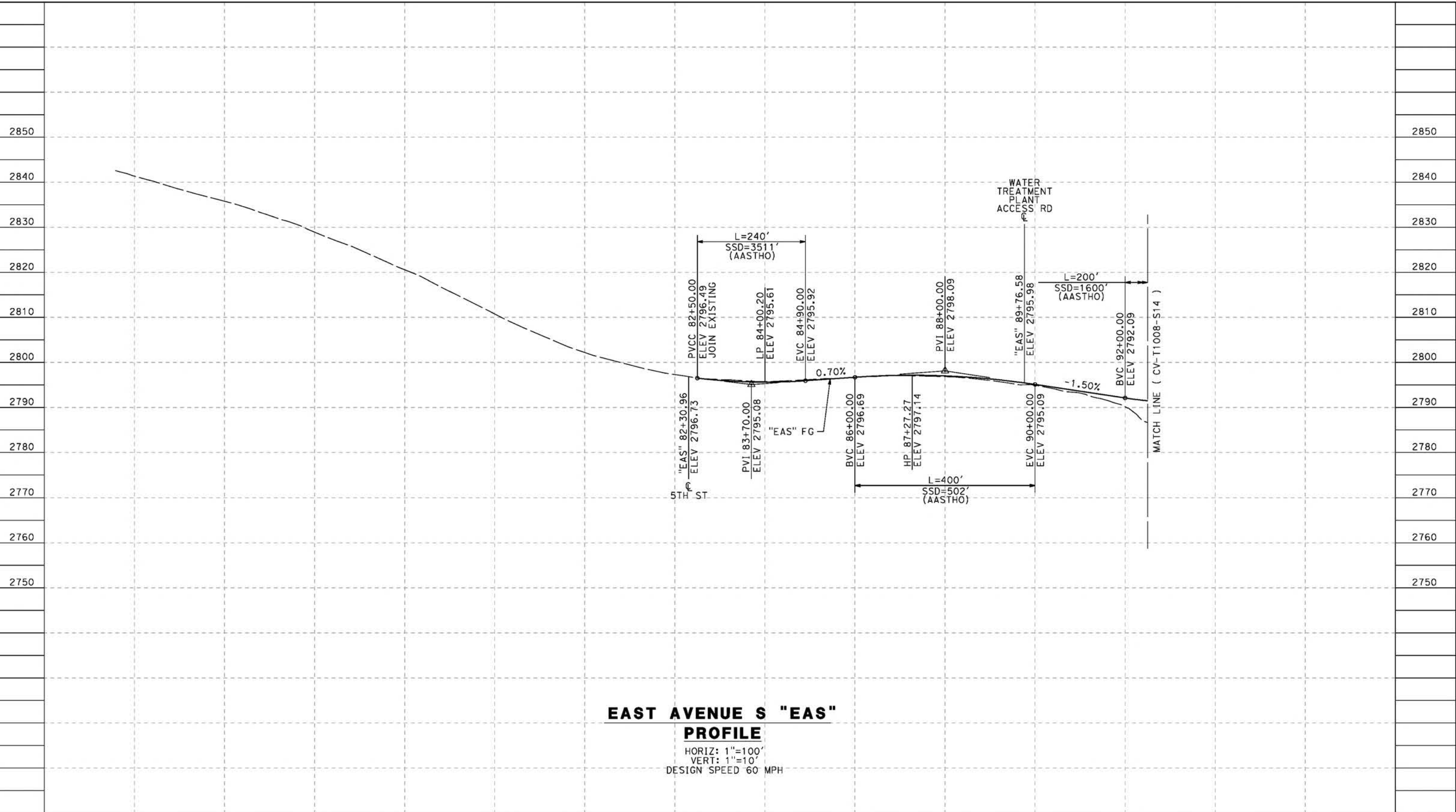
CALIFORNIA HIGH-SPEED RAIL PROJECT
PALMDALE TO BURBANK
ALIGNMENT "REFINED SR14"
GRADE SEPARATION PLAN
BRANFORD STREET
SHEET 2 OF 2

CONTRACT NO.
HSR14-42
DRAWING NO.
CV-T4020-S14
SCALE
AS SHOWN
SHEET NO.

ct:\pwworkingdir\sener-us-pw-bentley.com_sener-us-pw-01\dalifa.cordoba\dms24258VPB-CV-T1007-S14.dgn

5/23/2021 6:37:37 PM

cordo



**EAST AVENUE S "EAS"
PROFILE**

HORIZ: 1"=100'
VERT: 1"=10'
DESIGN SPEED 60 MPH

STATION	82+00	84+00	86+00	88+00	90+00	92+00	TOTAL
Exc							
Emb							

DESIGNED BY
J.C. ALAMILLA
DRAWN BY
A. SANZ
CHECKED BY
W. GUO
IN CHARGE
A. RELANO
DATE
04/30/2021

**PEPD RECORD SET
REV 02
NOT FOR
CONSTRUCTION**



**CALIFORNIA HIGH-SPEED RAIL PROJECT
PALMDALE TO BURBANK**
ALIGNMENT "REFINED SR14"
GRADE SEPARATION PROFILE
EAST AVENUE S
SHEET 1 OF 3

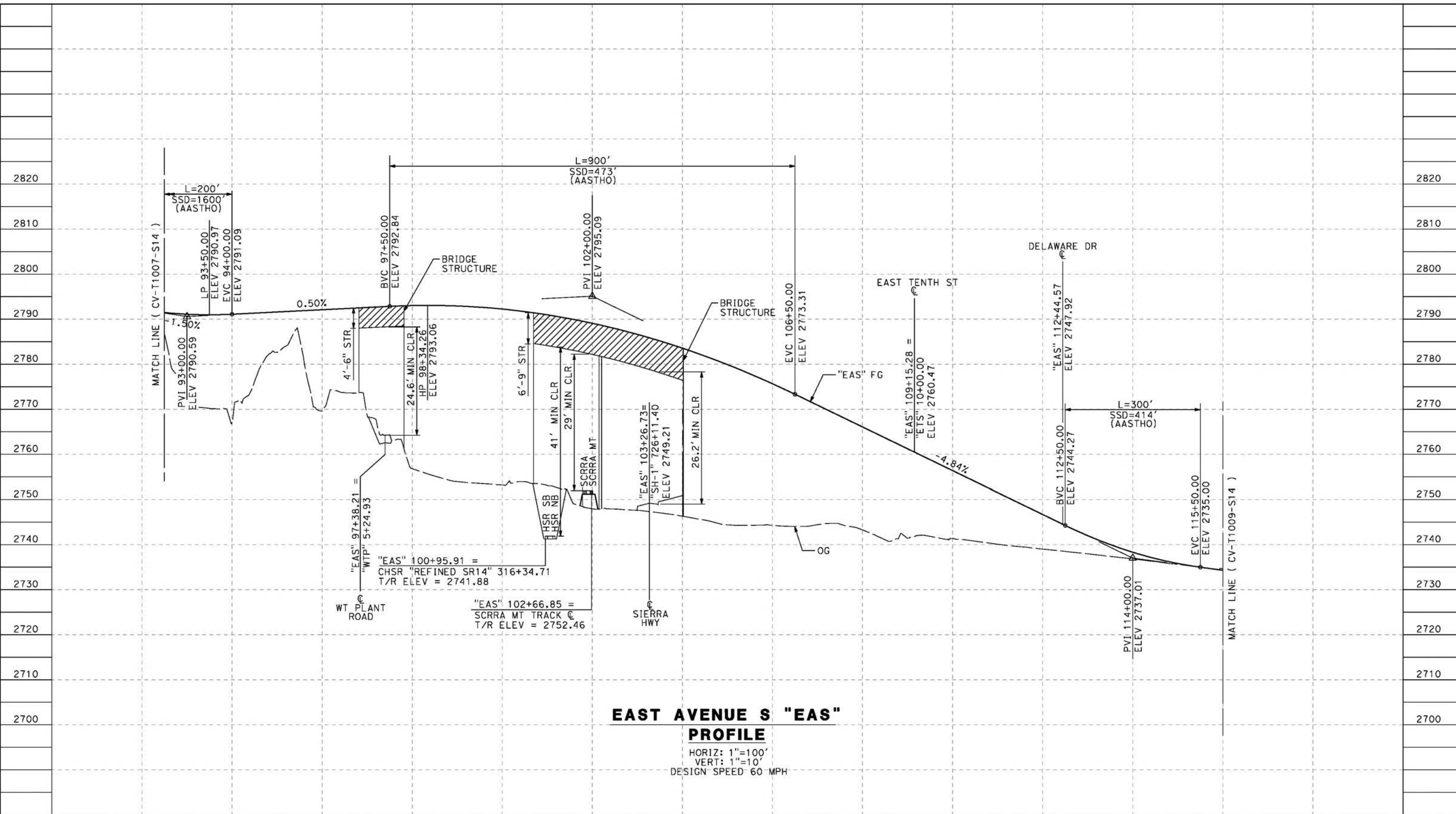
CONTRACT NO.
HSR14-42
DRAWING NO.
CV-T1007-S14
SCALE
AS SHOWN
SHEET NO.

REV	DATE	BY	CHK	APP	DESCRIPTION

ct:\pwworkingdir\sener-us-pw-bentley.com_sener-us-pw-01\dalifa.cordoba\dms24258VPB-CV-T1008-S14.dgn

5/23/2021 6:37:48 PM

cordo



EAST AVENUE S "EAS" PROFILE
 HORIZ: 1"=100'
 VERT: 1"=10'
 DESIGN SPEED 60 MPH

STATION	92+00	94+00	96+00	98+00	100+00	102+00	104+00	106+00	108+00	110+00	112+00	114+00	116+00	TOTAL
Exc														
Emb														
	2670													

REV	DATE	BY	CHK	APP	DESCRIPTION

DESIGNED BY
J.C. ALAMILLA
 DRAWN BY
A. SANZ
 CHECKED BY
W. GUO
 IN CHARGE
A. RELANO
 DATE
04/30/2021

**PEPD RECORD SET
REV 02**

**NOT FOR
CONSTRUCTION**



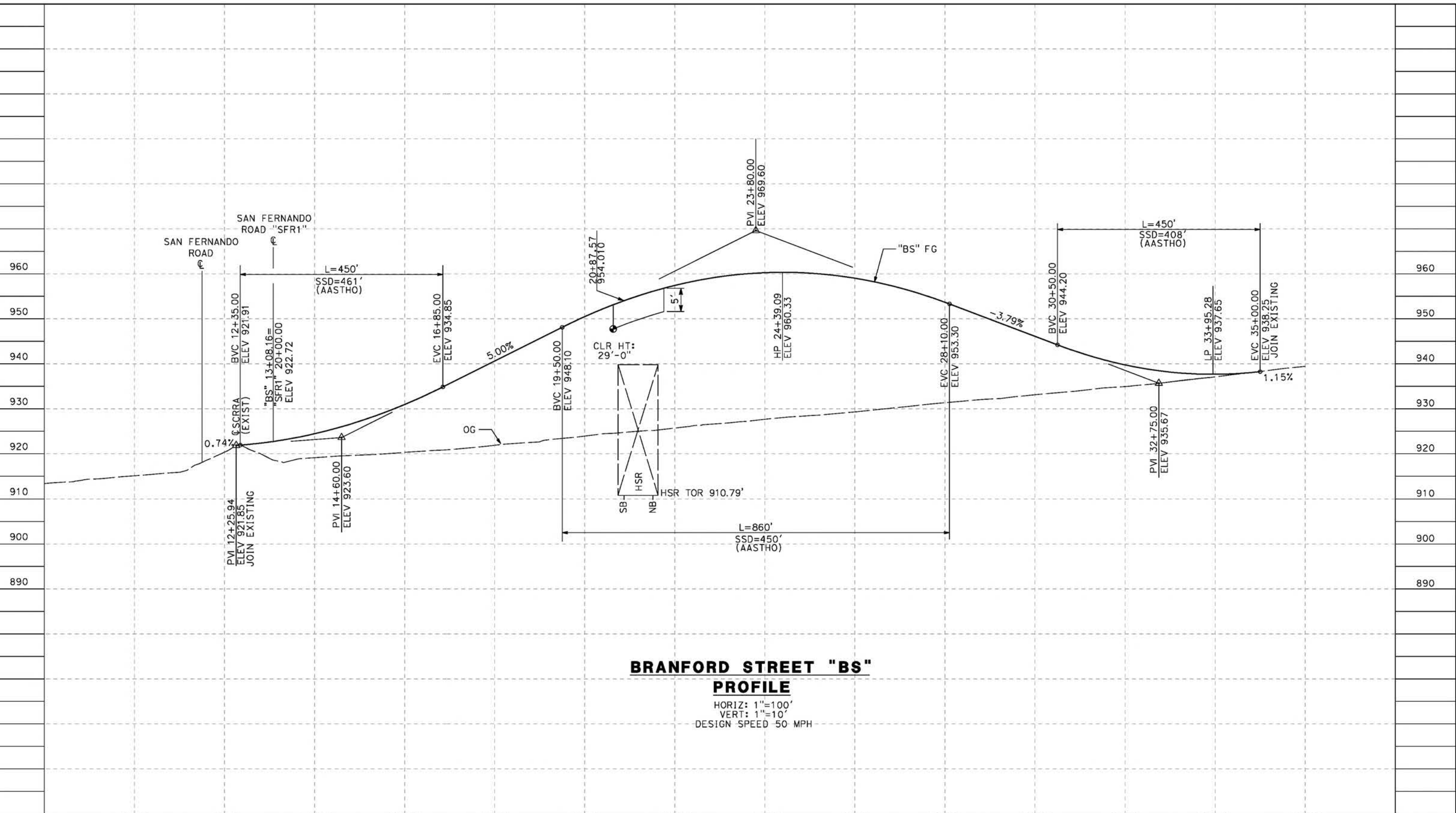
**CALIFORNIA HIGH-SPEED RAIL PROJECT
PALMDALE TO BURBANK**
 ALIGNMENT "REFINED SR14"
 GRADE SEPARATION PROFILE
 EAST AVENUE S
 SHEET 2 OF 3

CONTRACT NO.
HSR14-42
 DRAWING NO.
CV-T1008-S14
 SCALE
AS SHOWN
 SHEET NO.

ct:\pwworkingdir\sener-us-pw-bentley.com_sener-us-pw-01\dd\ifa_cordoba\dms24258VPB-CV-T1015-S14.dgn

5/23/2021 6:38:14 PM

cordo



STATION	10+00	12+00	14+00	16+00	18+00	20+00	22+00	24+00	26+00	28+00	30+00	32+00	34+00	36+00	TOTAL
Exc															
Emb															

DESIGNED BY
J.C. ALAMILLA
 DRAWN BY
A. SANZ
 CHECKED BY
W. GUO
 IN CHARGE
A. RELANO
 DATE
04/30/2021

PEPD RECORD SET
 REV 02
NOT FOR CONSTRUCTION



CALIFORNIA HIGH-SPEED RAIL PROJECT
PALMDALE TO BURBANK
 ALIGNMENT "REFINED SR14"
 GRADE SEPARATION PROFILE
 BRANFORD STREET

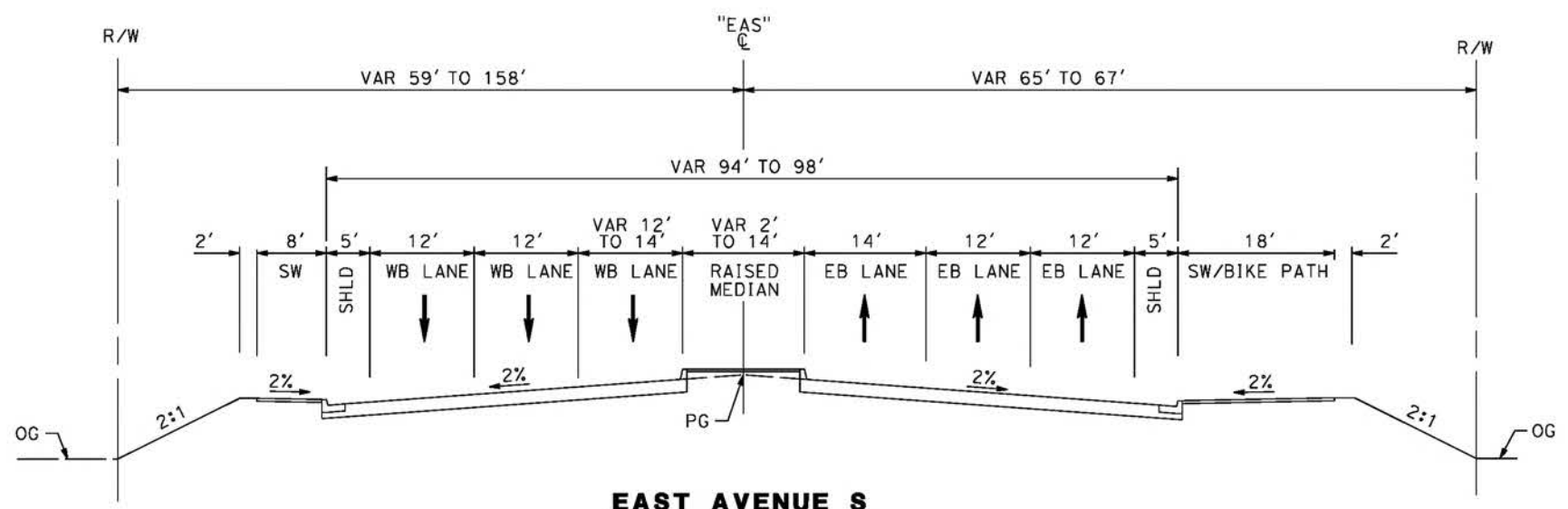
CONTRACT NO.
HSR14-42
 DRAWING NO.
CV-T1015-S14
 SCALE
AS SHOWN
 SHEET NO.

REV	DATE	BY	CHK	APP	DESCRIPTION

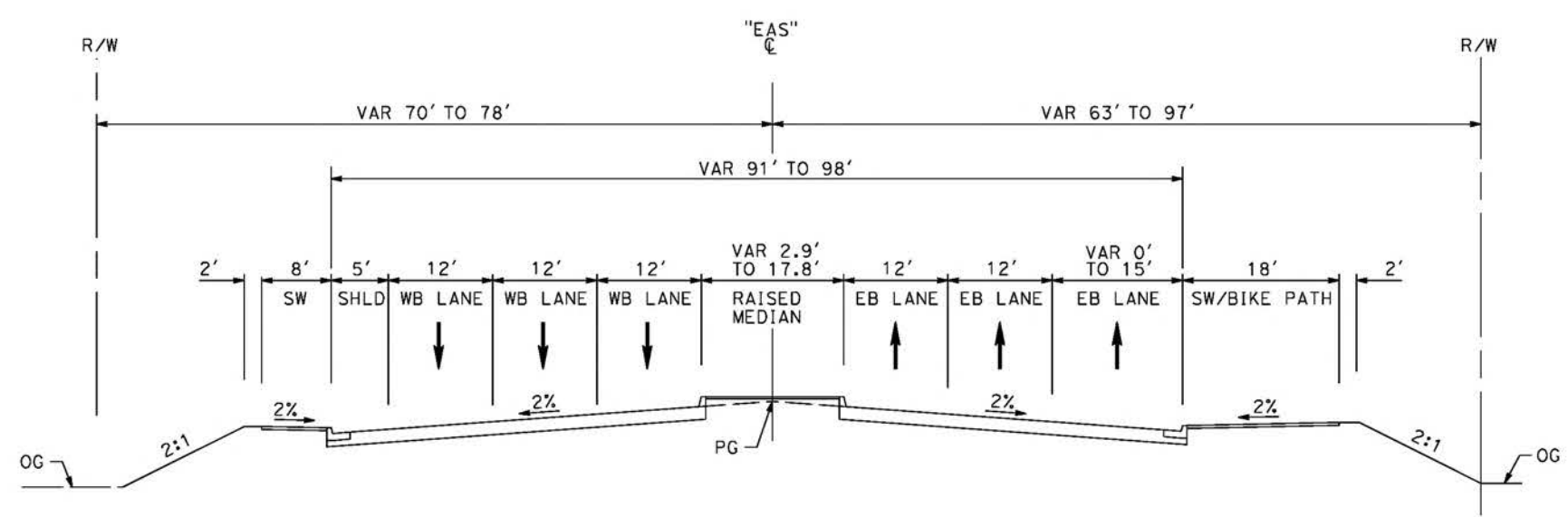
cs:\pwworkingdir\sener-us-pw-bentley.com_sener-us-pw-01\dalifo.cordoba\dms24258VPB-CV-T3001-S14.dgn

5/2/2021 7:39:51 PM

cordo



EAST AVENUE S
 STA 90+00 TO STA 100+00
 MAJOR ARTERIAL
 PER CITY OF PALMDALE GENERAL PLAN

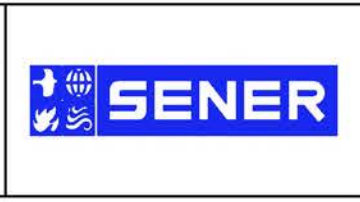


EAST AVENUE S
 STA 83+84 TO STA 90+00
 MAJOR ARTERIAL
 PER CITY OF PALMDALE GENERAL PLAN

REV	DATE	BY	CHK	APP	DESCRIPTION

DESIGNED BY
J.C. ALAMILLA
 DRAWN BY
A. SANZ
 CHECKED BY
W. GUO
 IN CHARGE
A. RELANO
 DATE
04/30/2021

PEPD RECORD SET
 REV 02
NOT FOR CONSTRUCTION



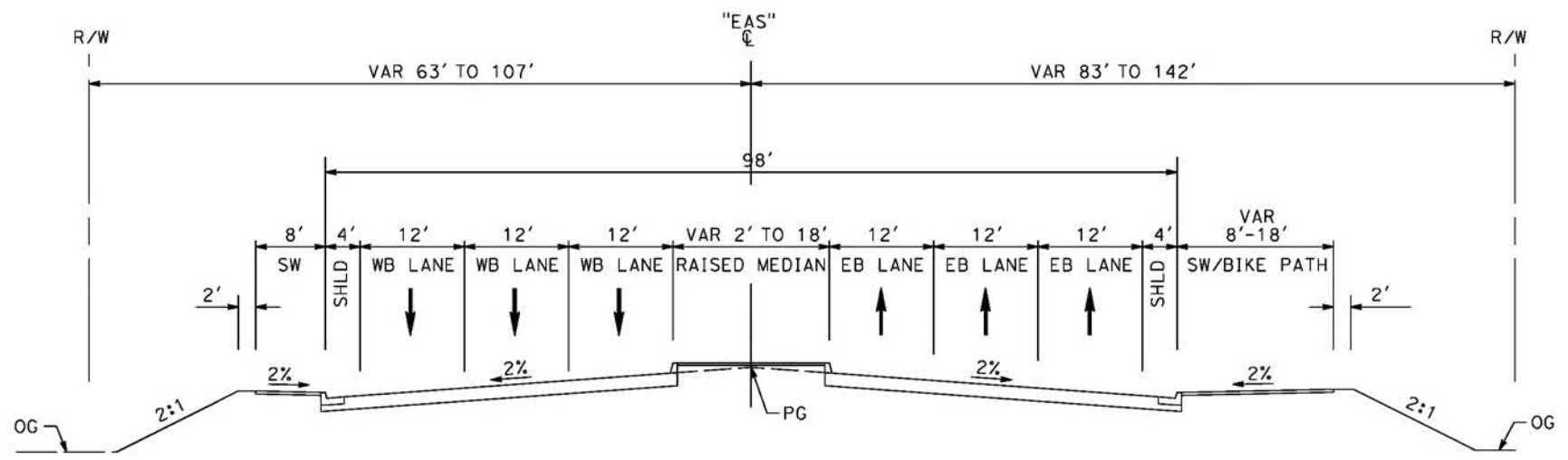
CALIFORNIA HIGH-SPEED RAIL PROJECT
PALMDALE TO BURBANK
 ALIGNMENT "REFINED SR14"
 TYPICAL SECTIONS
 EAST AVENUE S
 SHEET 1 OF 2

CONTRACT NO. HSR14-42
DRAWING NO. CV-T3001-S14
SCALE NO SCALE
SHEET NO.

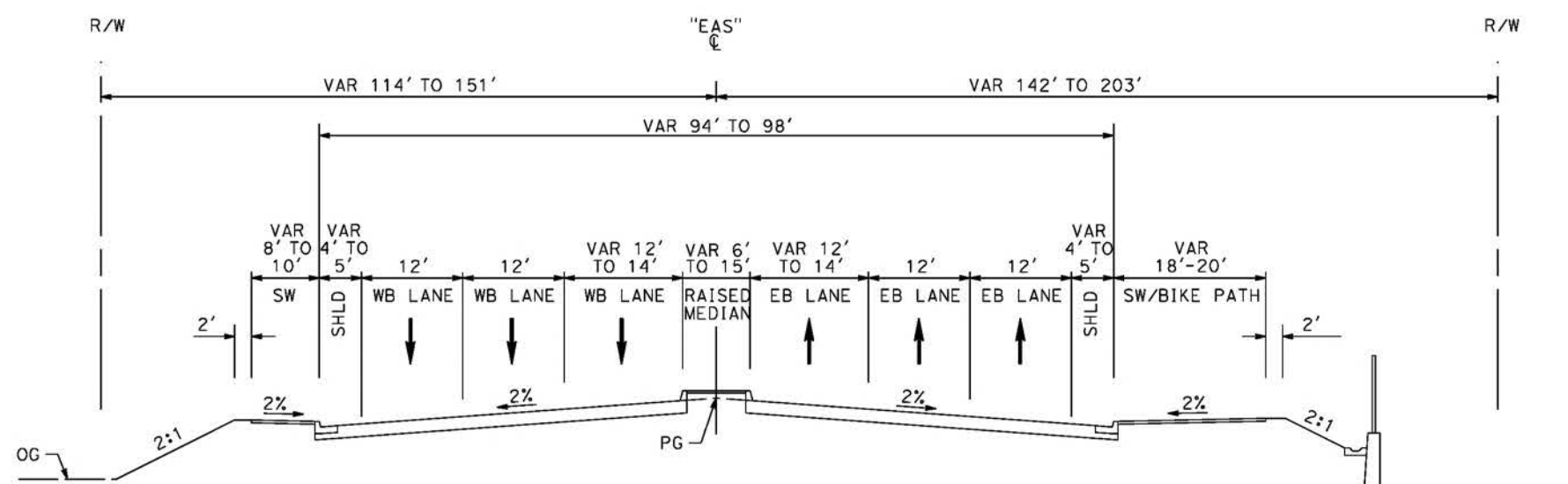
cs:\pwworkingdir\sener-us-pw-bentley.com_sener-us-pw-01\dalifa.cordoba\dms24258VPB-CV-T3002-S14.dgn

5/2/2021 7:43:22 PM

cordo



EAST AVENUE S
 STA 109+12 TO STA 117+80
 MAJOR ARTERIAL
 PER CITY OF PALMDALE GENERAL PLAN

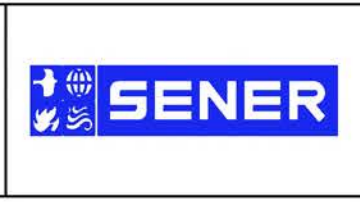


EAST AVENUE S
 STA 104+00 TO STA 109+12
 MAJOR ARTERIAL
 PER CITY OF PALMDALE GENERAL PLAN

REV	DATE	BY	CHK	APP	DESCRIPTION

DESIGNED BY
J.C. ALAMILLA
 DRAWN BY
A. SANZ
 CHECKED BY
W. GUO
 IN CHARGE
A. RELANO
 DATE
04/30/2021

PEPD RECORD SET
 REV 02
NOT FOR CONSTRUCTION



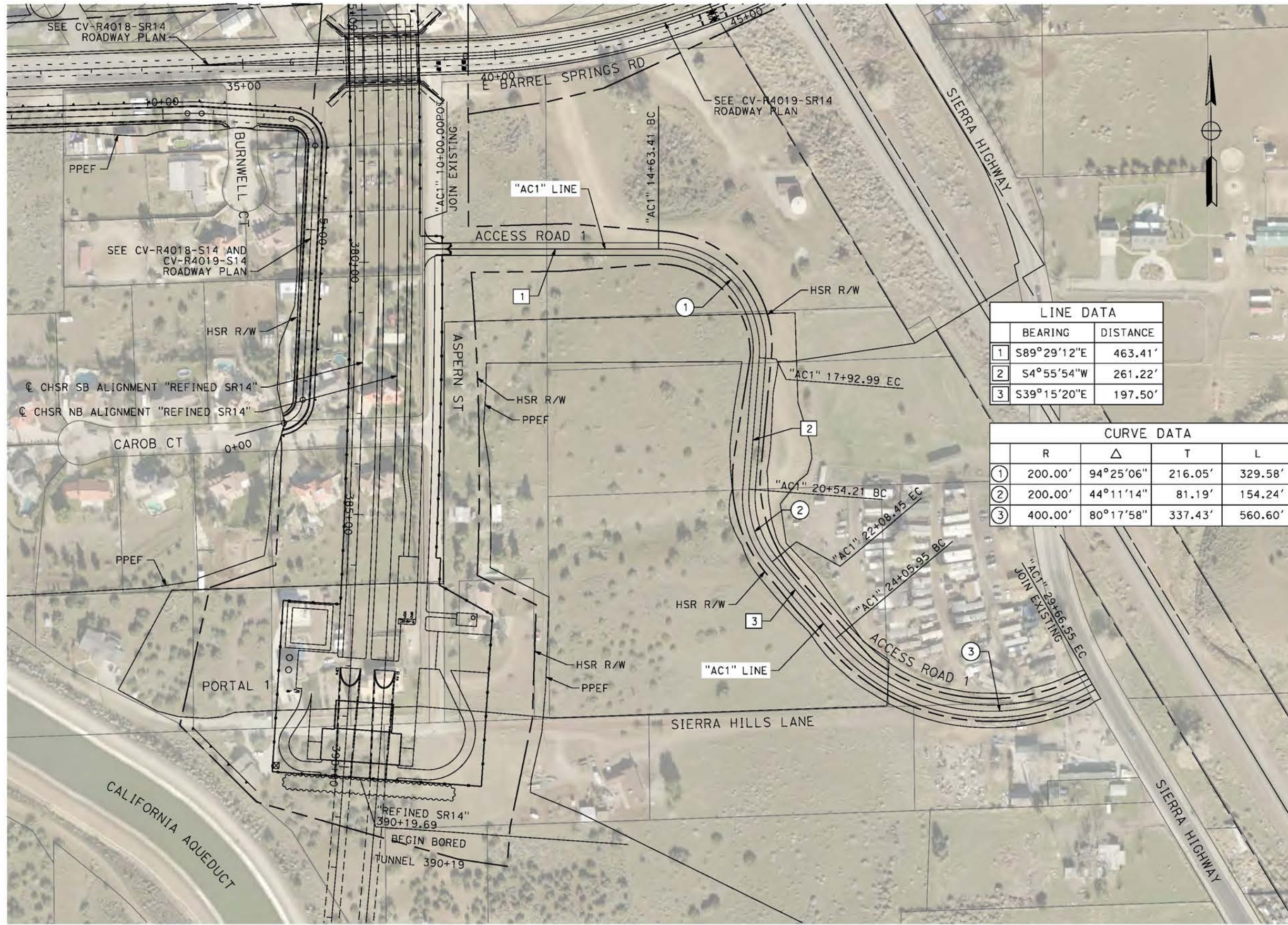
CALIFORNIA HIGH-SPEED RAIL PROJECT
PALMDALE TO BURBANK
 ALIGNMENT "REFINED SR14"
 TYPICAL SECTIONS
 EAST AVENUE S
 SHEET 2 OF 2

CONTRACT NO.
 HSR14-42
 DRAWING NO.
 CV-T3002-S14
 SCALE
 NO SCALE
 SHEET NO.

ct:\pwworkingdir\sener-us-pw-bentley.com_sener-us-pw-01\dalio.cordoba\dms24258VPB-CV-Y4001-S14.dgn

5/21/2021 12:30:19 AM

cordo



LINE DATA	
BEARING	DISTANCE
1 S89°29'12"E	463.41'
2 S4°55'54"W	261.22'
3 S39°15'20"E	197.50'

CURVE DATA				
	R	Δ	T	L
①	200.00'	94°25'06"	216.05'	329.58'
②	200.00'	44°11'14"	81.19'	154.24'
③	400.00'	80°17'58"	337.43'	560.60'



REV	DATE	BY	CHK	APP	DESCRIPTION

DESIGNED BY
J.C. ALAMILLA
DRAWN BY
A. SANZ
CHECKED BY
W. GUO
IN CHARGE
A. RELANO
DATE
04/30/2021

**PEPD RECORD SET
REV 02
NOT FOR
CONSTRUCTION**



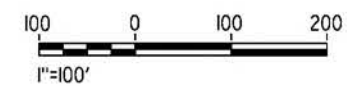
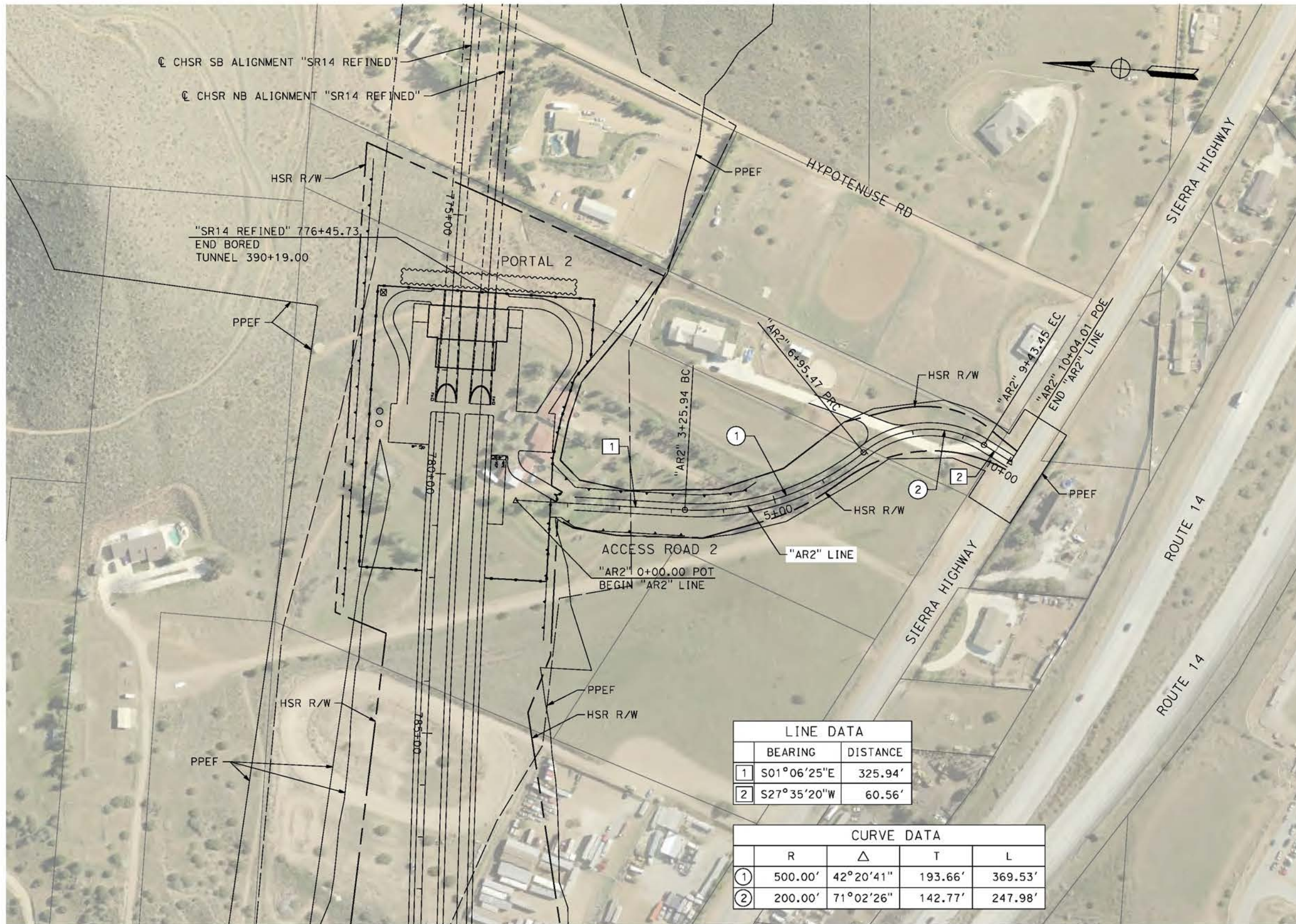
**CALIFORNIA HIGH-SPEED RAIL PROJECT
PALMDALE TO BURBANK**
ALIGNMENT "REFINED SR14"
ACCESS ROAD PLAN
ACCESS ROAD 1

CONTRACT NO.
HSR14-42
DRAWING NO.
CV-Y4001-S14
SCALE
AS SHOWN
SHEET NO.

ct:\pwworkingdir\sener-us-pw-bentley.com_sener-us-pw-01\dalila.cordoba\dms24258V9B-CV-Y4003-S14.dgn

5/21/2021 12:34:04 AM

cordo



REV	DATE	BY	CHK	APP	DESCRIPTION

DESIGNED BY
J.C. ALAMILLA

DRAWN BY
A. SANZ

CHECKED BY
W. GUO

IN CHARGE
A. RELANO

DATE
04/30/2021

PEPD RECORD SET
REV 02

NOT FOR CONSTRUCTION



CALIFORNIA HIGH-SPEED RAIL PROJECT
PALMDALE TO BURBANK
ALIGNMENT "REFINED SR14"
ACCESS ROAD PLAN
ACCESS ROAD 2

CONTRACT NO.
HSR14-42

DRAWING NO.
CV-Y4003-S14

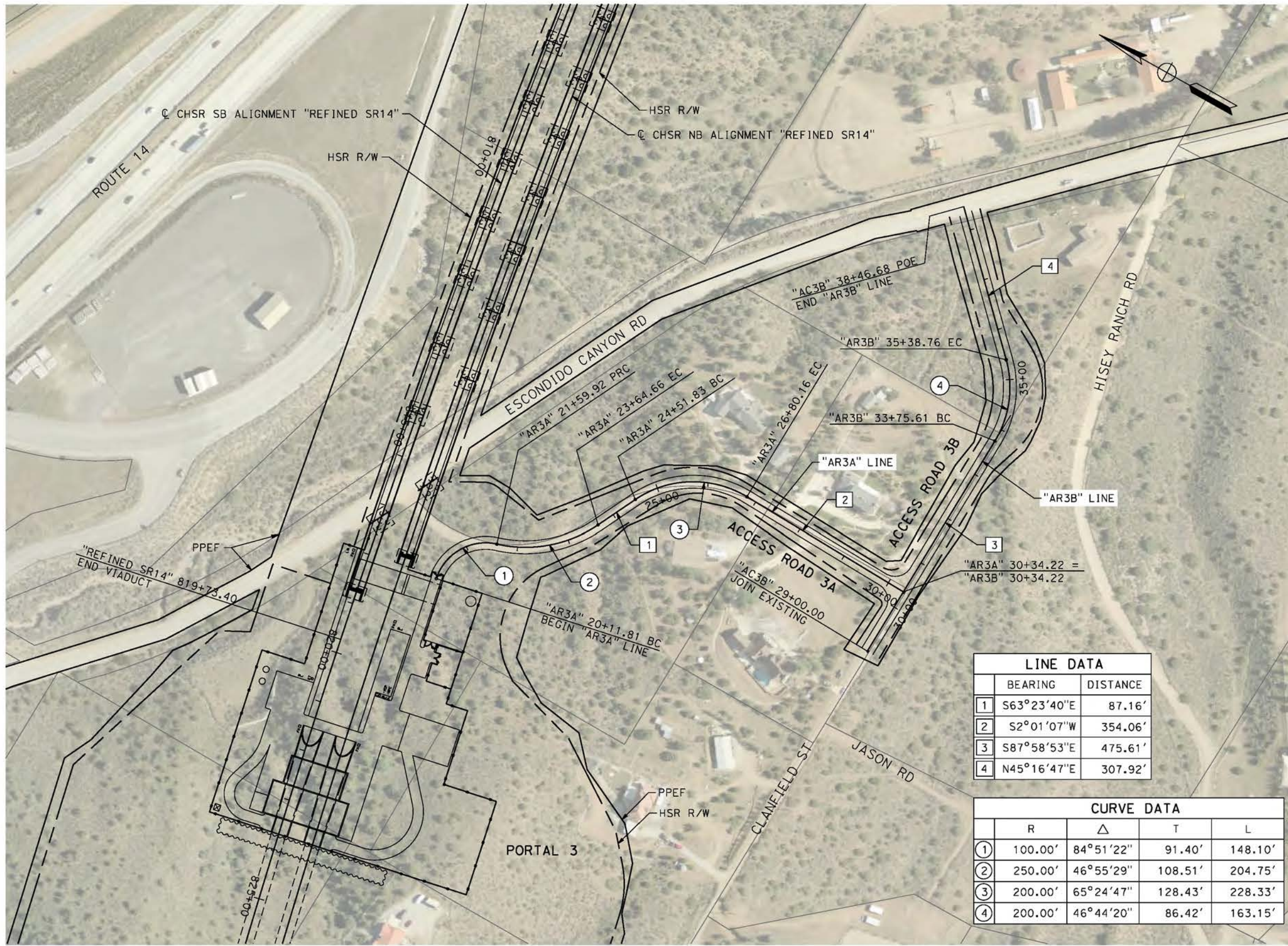
SCALE
AS SHOWN

SHEET NO.

cs:\pwworkingdir\sener-us-pw.bentley.com_sener-us-pw-01\dalila.cordoba\dms24258\VPB-CV-Y4004-S14.dgn

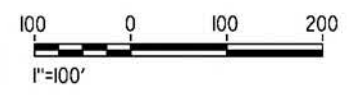
5/2/2021 10:11:44 PM

cordo



LINE DATA		
	BEARING	DISTANCE
1	S63°23'40"E	87.16'
2	S2°01'07"W	354.06'
3	S87°58'53"E	475.61'
4	N45°16'47"E	307.92'

CURVE DATA				
	R	Δ	T	L
①	100.00'	84°51'22"	91.40'	148.10'
②	250.00'	46°55'29"	108.51'	204.75'
③	200.00'	65°24'47"	128.43'	228.33'
④	200.00'	46°44'20"	86.42'	163.15'



REV	DATE	BY	CHK	APP	DESCRIPTION

DESIGNED BY
J.C. ALAMILLA
DRAWN BY
A. SANZ
CHECKED BY
W. GUO
IN CHARGE
A. RELANO
DATE
04/30/2021

**PEPD RECORD SET
REV 02
NOT FOR
CONSTRUCTION**



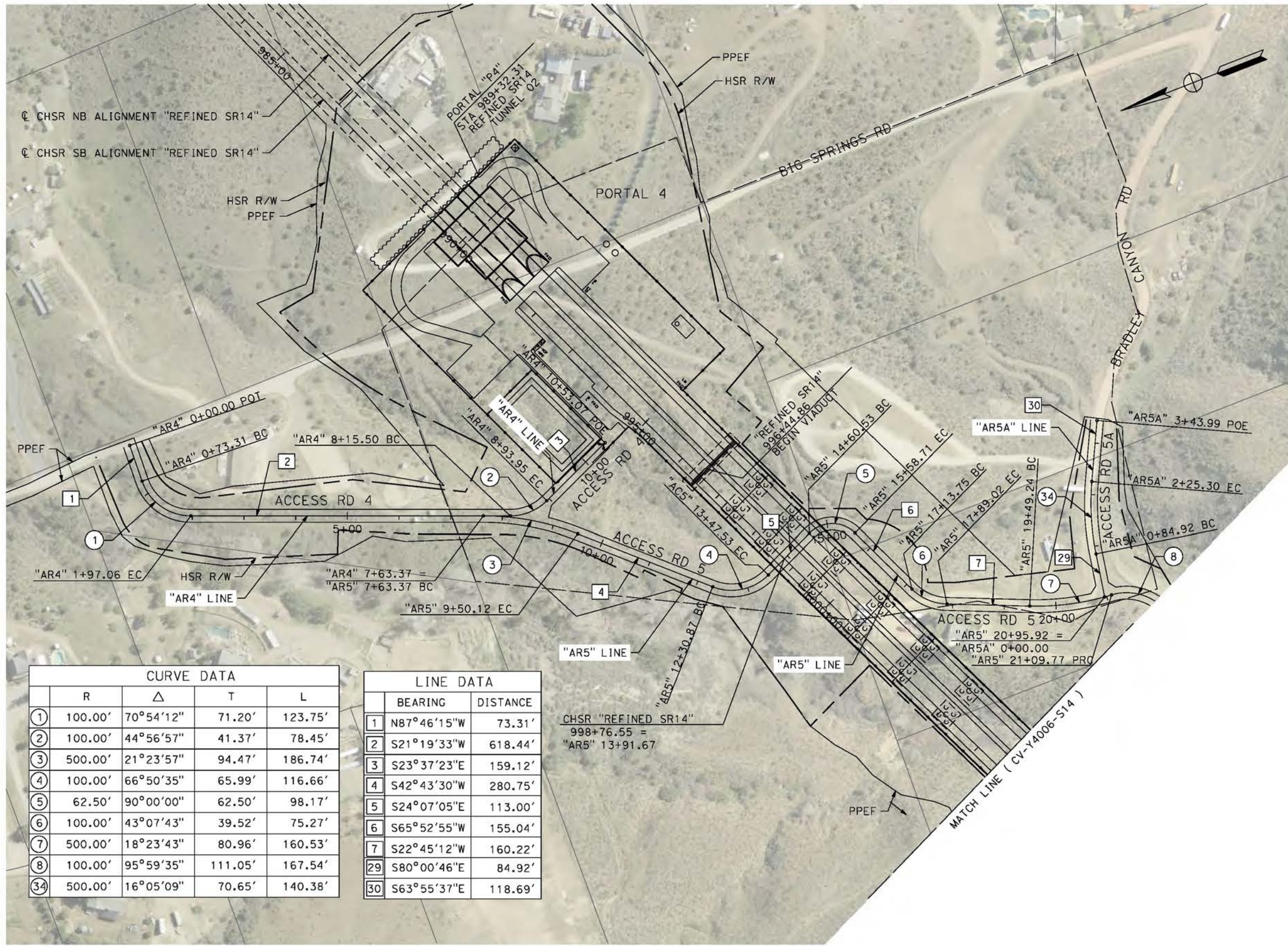
**CALIFORNIA HIGH-SPEED RAIL PROJECT
PALMDALE TO BURBANK**
ALIGNMENT "REFINED SR14"
ACCESS ROAD PLAN
ACCESS ROAD 3A & 3B

CONTRACT NO.
HSR14-42
DRAWING NO.
CV-Y4004-S14
SCALE
AS SHOWN
SHEET NO.

ct:\pwworkingdir\sener-us-pw-bentley.com_sener-us-pw-01\dalila.cordoba\dms24258V7B-CV-Y4005-S14.dgn

5/21/2021 12:45:17 AM

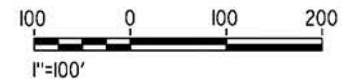
cordo



CURVE DATA				
	R	Δ	T	L
①	100.00'	70°54'12"	71.20'	123.75'
②	100.00'	44°56'57"	41.37'	78.45'
③	500.00'	21°23'57"	94.47'	186.74'
④	100.00'	66°50'35"	65.99'	116.66'
⑤	62.50'	90°00'00"	62.50'	98.17'
⑥	100.00'	43°07'43"	39.52'	75.27'
⑦	500.00'	18°23'43"	80.96'	160.53'
⑧	100.00'	95°59'35"	111.05'	167.54'
③④	500.00'	16°05'09"	70.65'	140.38'

LINE DATA		
	BEARING	DISTANCE
1	N87°46'15"W	73.31'
2	S21°19'33"W	618.44'
3	S23°37'23"E	159.12'
4	S42°43'30"W	280.75'
5	S24°07'05"E	113.00'
6	S65°52'55"W	155.04'
7	S22°45'12"W	160.22'
29	S80°00'46"E	84.92'
30	S63°55'37"E	118.69'

CHSR "REFINED SR14"
998+76.55 =
"AR5" 13+91.67



REV	DATE	BY	CHK	APP	DESCRIPTION

DESIGNED BY
J.C. ALAMILLA
DRAWN BY
A. SANZ
CHECKED BY
W. GUO
IN CHARGE
A. RELANO
DATE
04/30/2021

PEPD RECORD SET
REV 02
NOT FOR CONSTRUCTION



CALIFORNIA HIGH-SPEED RAIL PROJECT
PALMDALE TO BURBANK
ALIGNMENT "REFINED SR14"
ACCESS ROAD PLAN
ACCESS ROAD 4, 5A & 5
SHEET 1 OF 4

CONTRACT NO.
HSR14-42
DRAWING NO.
CV-Y4005-S14
SCALE
AS SHOWN
SHEET NO.

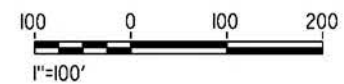
5/27/2021 8:02:35 AM c:\pwworkingdir\sener-us-pw.bentley.com_sener-us-pw-01\dl\cordoba\dms24258VPB-CV-Y4006-S14.dgn

cordo



LINE DATA		
	BEARING	DISTANCE
8	N79°38'56"W	203.01'
9	S3°10'34"E	87.49'
10	N80°26'12"W	123.68'
11	S73°16'13"W	98.51'
12	S20°30'40"W	56.83'
13	N69°19'15"W	83.24'
14	S26°29'13"W	72.22'
15	S74°51'34"W	289.01'

CURVE DATA				
	R	Δ	T	L
8	100.00'	95°59'35"	111.05'	167.54'
9	100.00'	103°31'38"	126.91'	180.69'
10	100.00'	102°44'21"	125.13'	179.31'
11	200.00'	26°17'35"	46.71'	91.78'
12	200.00'	52°45'33"	99.19'	184.16'
13	150.00'	90°10'06"	150.44'	236.06'
14	100.00'	84°11'32"	90.34'	146.94'
15	100.00'	36°32'31"	33.02'	63.78'
16	300.00'	47°55'33"	133.34'	250.94'
17	300.00'	16°02'17"	42.26'	83.98'
18	500.00'	14°42'42"	64.55'	128.38'
19	200.00'	26°44'01"	47.52'	93.32'
20	200.00'	21°23'18"	37.77'	74.66'



REV	DATE	BY	CHK	APP	DESCRIPTION

DESIGNED BY
J.C. ALAMILLA
DRAWN BY
A. SANZ
CHECKED BY
W. GUO
IN CHARGE
A. RELANO
DATE
04/30/2021

PEPD RECORD SET
REV 02

NOT FOR CONSTRUCTION



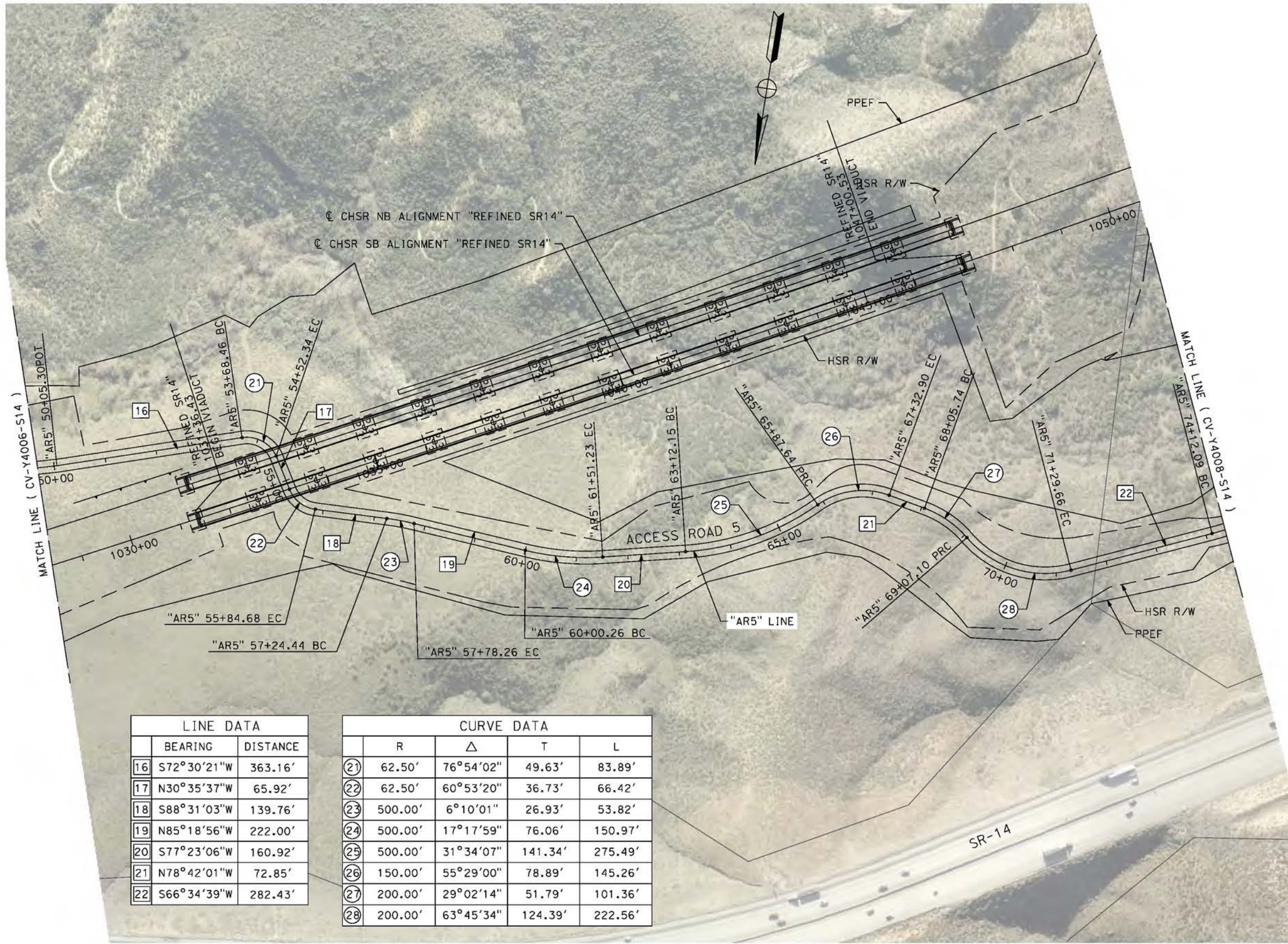
CALIFORNIA HIGH-SPEED RAIL PROJECT
PALMDALE TO BURBANK
ALIGNMENT "REFINED SR14"
ACCESS ROAD PLAN
ACCESS ROAD 5
SHEET 2 OF 4

CONTRACT NO.
HSR14-42
DRAWING NO.
CV-Y4006-S14
SCALE
AS SHOWN
SHEET NO.

ct:\pwork\kingdir\sener-us-pw.bentley.com_sener-us-pw-01\dalifa.cordoba\dms24258\VPB-CV-Y4007-S14.dgn

5/21/2021 12:37:28 AM

cordo



LINE DATA		
	BEARING	DISTANCE
16	S72°30'21"W	363.16'
17	N30°35'37"W	65.92'
18	S88°31'03"W	139.76'
19	N85°18'56"W	222.00'
20	S77°23'06"W	160.92'
21	N78°42'01"W	72.85'
22	S66°34'39"W	282.43'

CURVE DATA				
	R	Δ	T	L
21	62.50'	76°54'02"	49.63'	83.89'
22	62.50'	60°53'20"	36.73'	66.42'
23	500.00'	6°10'01"	26.93'	53.82'
24	500.00'	17°17'59"	76.06'	150.97'
25	500.00'	31°34'07"	141.34'	275.49'
26	150.00'	55°29'00"	78.89'	145.26'
27	200.00'	29°02'14"	51.79'	101.36'
28	200.00'	63°45'34"	124.39'	222.56'



REV	DATE	BY	CHK	APP	DESCRIPTION

DESIGNED BY
J.C. ALAMILLA
DRAWN BY
A. SANZ
CHECKED BY
W. GUO
IN CHARGE
A. RELANO
DATE
04/30/2021

**PEPD RECORD SET
REV 02**

**NOT FOR
CONSTRUCTION**



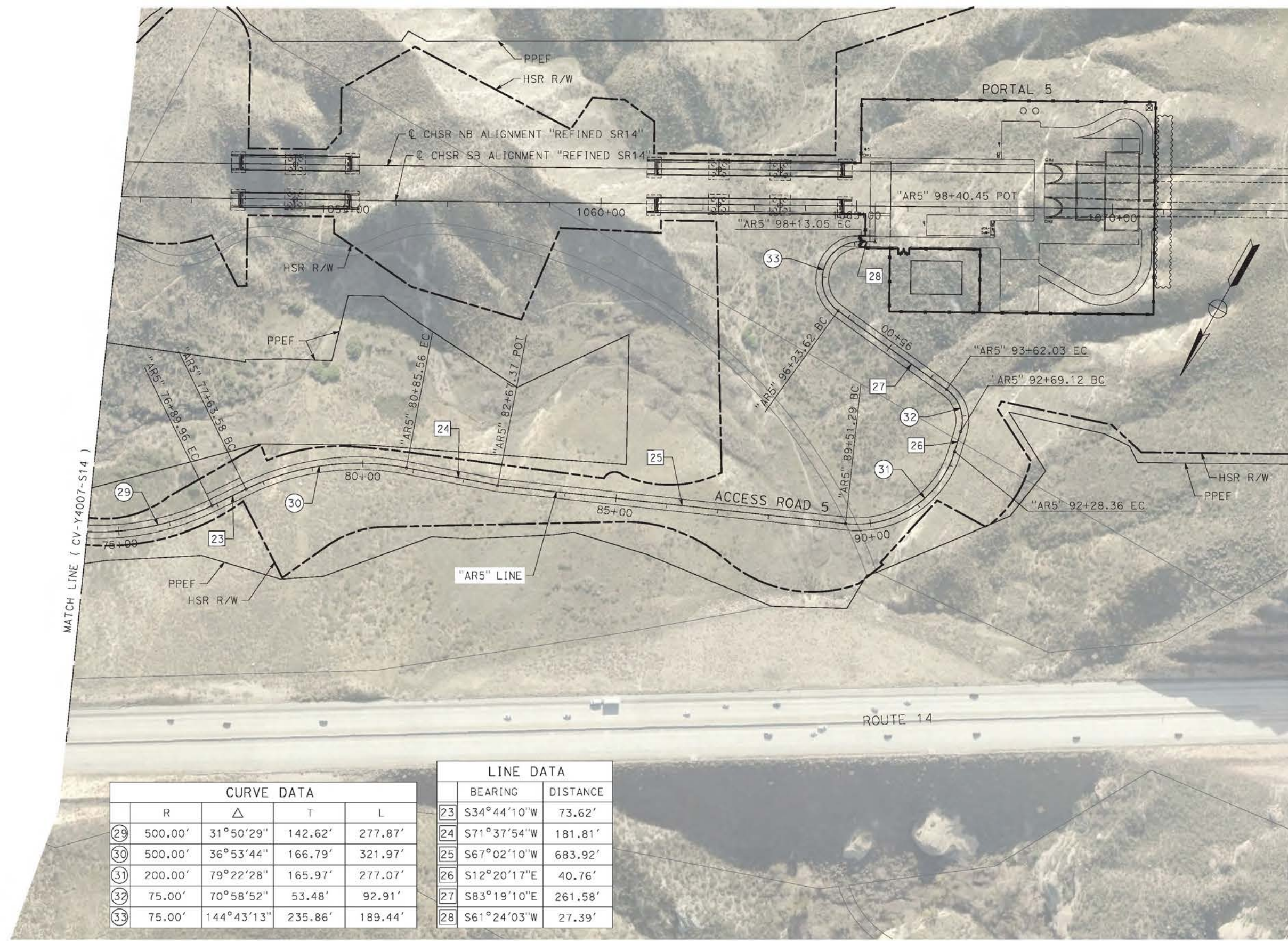
**CALIFORNIA HIGH-SPEED RAIL PROJECT
PALMDALE TO BURBANK**
ALIGNMENT "REFINED SR14"
ACCESS ROAD PLAN
ACCESS ROAD 5
SHEET 3 OF 4

CONTRACT NO.
HSR14-42
DRAWING NO.
CV-Y4007-S14
SCALE
AS SHOWN
SHEET NO.

ct:\pwworkingdir\sener-us-pw-bentley.com_sener-us-pw-01\dalio.cordoba\dms24258VPB-CV-Y4008-S14.dgn

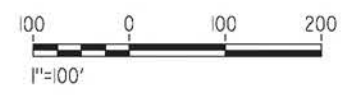
4/23/2021 8:54:21 PM

cor/cor



MATCH LINE (CV-Y4007-S14)

CURVE DATA					LINE DATA		
	R	Δ	T	L		BEARING	DISTANCE
29	500.00'	31°50'29"	142.62'	277.87'	23	S34°44'10"W	73.62'
30	500.00'	36°53'44"	166.79'	321.97'	24	S71°37'54"W	181.81'
31	200.00'	79°22'28"	165.97'	277.07'	25	S67°02'10"W	683.92'
32	75.00'	70°58'52"	53.48'	92.91'	26	S12°20'17"E	40.76'
33	75.00'	144°43'13"	235.86'	189.44'	27	S83°19'10"E	261.58'
					28	S61°24'03"W	27.39'



REV	DATE	BY	CHK	APP	DESCRIPTION

DESIGNED BY
J.C. ALAMILLA
DRAWN BY
A. SANZ
CHECKED BY
R. RODRIGUEZ
IN CHARGE
A. RELANO
DATE
04/30/2021

PEPD RECORD SET
REV 02

NOT FOR CONSTRUCTION



CALIFORNIA HIGH-SPEED RAIL PROJECT
PALMDALE TO BURBANK
ALIGNMENT "REFINED SR14"
ACCESS ROAD PLAN
ACCESS ROAD 5
SHEET 4 OF 4

CONTRACT NO.
HSR14-42
DRAWING NO.
CV-Y4008-S14
SCALE
AS SHOWN
SHEET NO.

ct:\pwworkingdir\sener-us-pw-bentley.com_sener-us-pw-01\dalio.cordoba\dms24258VPB-CV-Y4009-S14.dgn

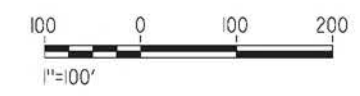
4/23/2021 9:04:27 PM

corcdo



LINE DATA		
	BEARING	DISTANCE
1	N75°41'46"E	186.08'
2	S76°11'52"E	72.69'
3	N67°03'18"E	17.17'
4	S54°55'25"E	47.62'
5	N36°14'12"E	99.08'
6	N84°34'21"E	81.94'
7	S63°25'14"E	85.20'
19	N27°24'26"W	187.01'
20	N14°35'07"E	79.76'
21	N21°41'04"W	24.75'
22	N8°39'07"E	151.24'
23	N33°51'03"W	93.96'
24	S40°09'22"W	24.97'
25	S54°03'19"W	59.33'
26	N82°47'35"W	23.85'

CURVE DATA				
	R	Δ	T	L
1	200.00'	28°06'22"	50.06'	98.11'
2	200.00'	36°44'50"	66.43'	128.27'
3	200.00'	58°01'17"	110.91'	202.53'
4	200.00'	88°50'23"	195.99'	310.11'
5	200.00'	48°20'09"	89.75'	168.72'
6	200.00'	32°00'25"	57.36'	111.73'
7	200.00'	50°49'16"	95.01'	177.40'
8	200.00'	44°25'10"	81.66'	155.05'
9	200.00'	47°54'42"	88.86'	167.24'
10	200.00'	39°29'31"	71.79'	137.85'
24	200.00'	41°59'32"	76.76'	146.58'
25	200.00'	36°16'10"	65.50'	126.60'
26	200.00'	30°20'11"	54.22'	105.89'
27	60.00'	42°30'11"	23.33'	44.51'
28	60.00'	105°59'35"	79.61'	111.00'
29	60.00'	13°53'57"	7.31'	14.56'
30	100.00'	43°09'07"	39.54'	75.31'



REV	DATE	BY	CHK	APP	DESCRIPTION

DESIGNED BY
J.C. ALAMILLA
DRAWN BY
A. SANZ
CHECKED BY
R. RODRIGUEZ
IN CHARGE
A. RELANO
DATE
04/30/2021

**PEPD RECORD SET
REV 02
NOT FOR
CONSTRUCTION**



CALIFORNIA HIGH-SPEED RAIL PROJECT PALMDALE TO BURBANK ALIGNMENT "REFINED SR14" ACCESS ROAD PLAN ACCESS ROAD 6A & 6B SHHET 1 OF 3	CONTRACT NO. HSR14-42
	DRAWING NO. CV-Y4009-S14
	SCALE AS SHOWN
	SHEET NO.

c:\pwworkingdir\sener-us-pw-bentley.com_sener-us-pw-01\dal\cordoba\dms24258\VPB-CV-Y4010-S14.dgn

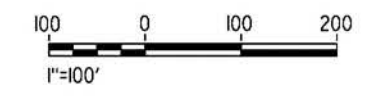
5/21/2021 12:48:18 AM

cordo



LINE DATA		
	BEARING	DISTANCE
8	N80°09'24"E	152.86'
9	N25°52'58"E	197.31'
10	S64°05'52"E	170.62'
11	N47°26'53"E	263.26'

CURVE DATA				
	R	Δ	T	L
10	200.00'	39°29'31"	71.79'	137.85'
11	200.00'	95°39'08"	220.77'	333.89'
12	200.00'	74°03'02"	150.05'	258.49'
13	150.00'	54°16'25"	76.88'	142.09'
14	150.00'	90°01'09"	150.05'	235.67'
15	150.00'	68°27'15"	102.04'	179.21'
16	200.00'	24°23'13"	43.22'	85.13'
17	200.00'	55°21'38"	104.91'	193.24'



REV	DATE	BY	CHK	APP	DESCRIPTION

DESIGNED BY
J.C. ALAMILLA
DRAWN BY
A. SANZ
CHECKED BY
W. GUO
IN CHARGE
A. RELANO
DATE
04/30/2021

**PEPD RECORD SET
REV 02
NOT FOR
CONSTRUCTION**



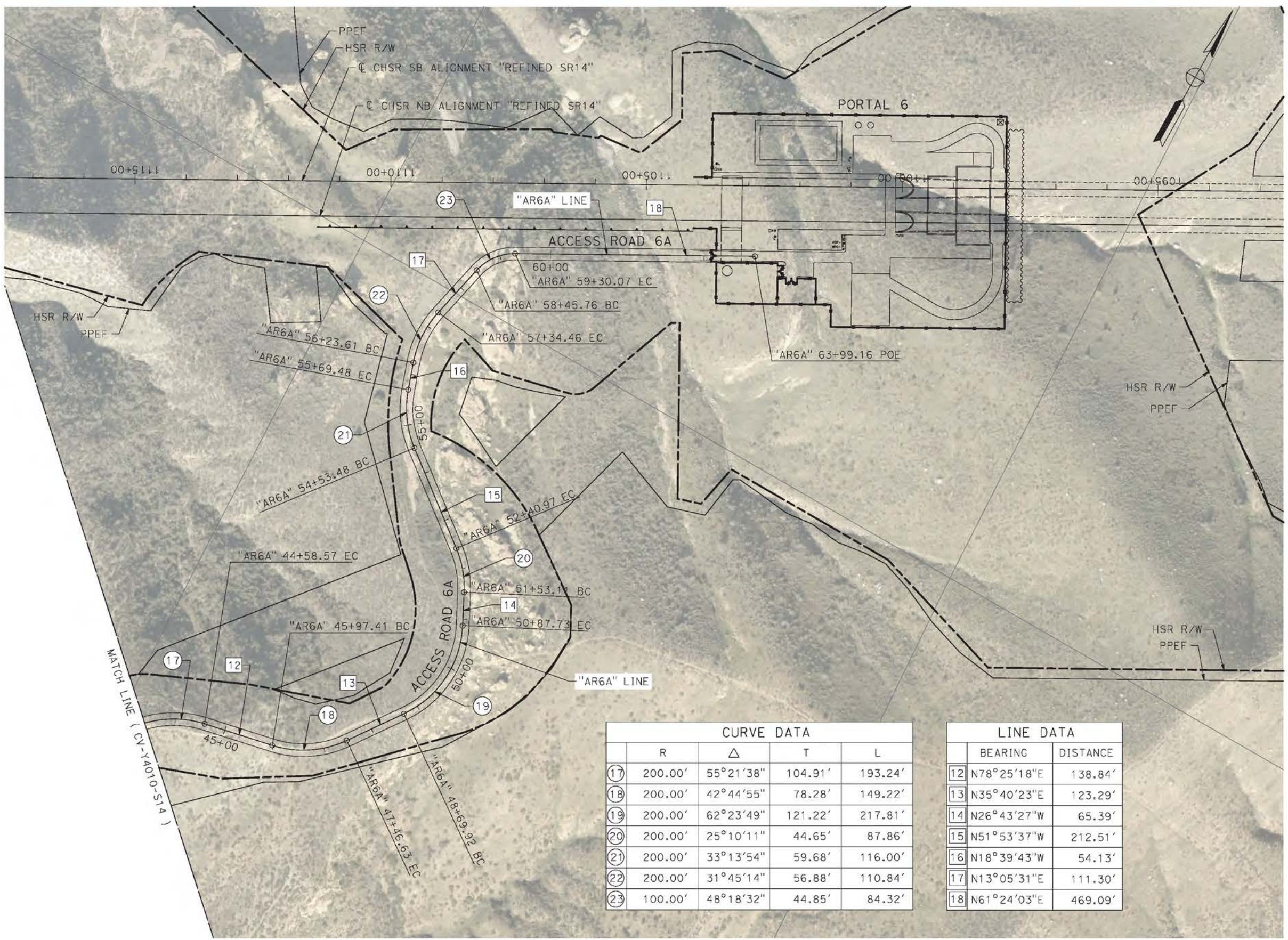
**CALIFORNIA HIGH-SPEED RAIL PROJECT
PALMDALE TO BURBANK**
ALIGNMENT "REFINED SR14"
ACCESS ROAD PLAN
ACCESS ROAD 6A
SHEET 2 OF 3

CONTRACT NO.
HSR14-42
DRAWING NO.
CV-Y4010-S14
SCALE
AS SHOWN
SHEET NO.

ct:\pwworkingdir\sener-us-pw-bentley.com_sener-us-pw-01\dalio.cordoba\dms24258\FB-CV-Y4011-S14.dgn

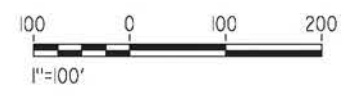
4/23/2021 9:23:12 PM

corco



CURVE DATA				
	R	Δ	T	L
17	200.00'	55°21'38"	104.91'	193.24'
18	200.00'	42°44'55"	78.28'	149.22'
19	200.00'	62°23'49"	121.22'	217.81'
20	200.00'	25°10'11"	44.65'	87.86'
21	200.00'	33°13'54"	59.68'	116.00'
22	200.00'	31°45'14"	56.88'	110.84'
23	100.00'	48°18'32"	44.85'	84.32'

LINE DATA	
BEARING	DISTANCE
12	N78°25'18"E 138.84'
13	N35°40'23"E 123.29'
14	N26°43'27"W 65.39'
15	N51°53'37"W 212.51'
16	N18°39'43"W 54.13'
17	N13°05'31"E 111.30'
18	N61°24'03"E 469.09'

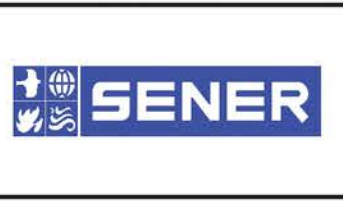


REV	DATE	BY	CHK	APP	DESCRIPTION

DESIGNED BY
J.C. ALAMILLA
DRAWN BY
A. SANZ
CHECKED BY
R. RODRIGUEZ
IN CHARGE
A. RELANO
DATE
04/30/2021

**PEPD RECORD SET
REV 02**

**NOT FOR
CONSTRUCTION**



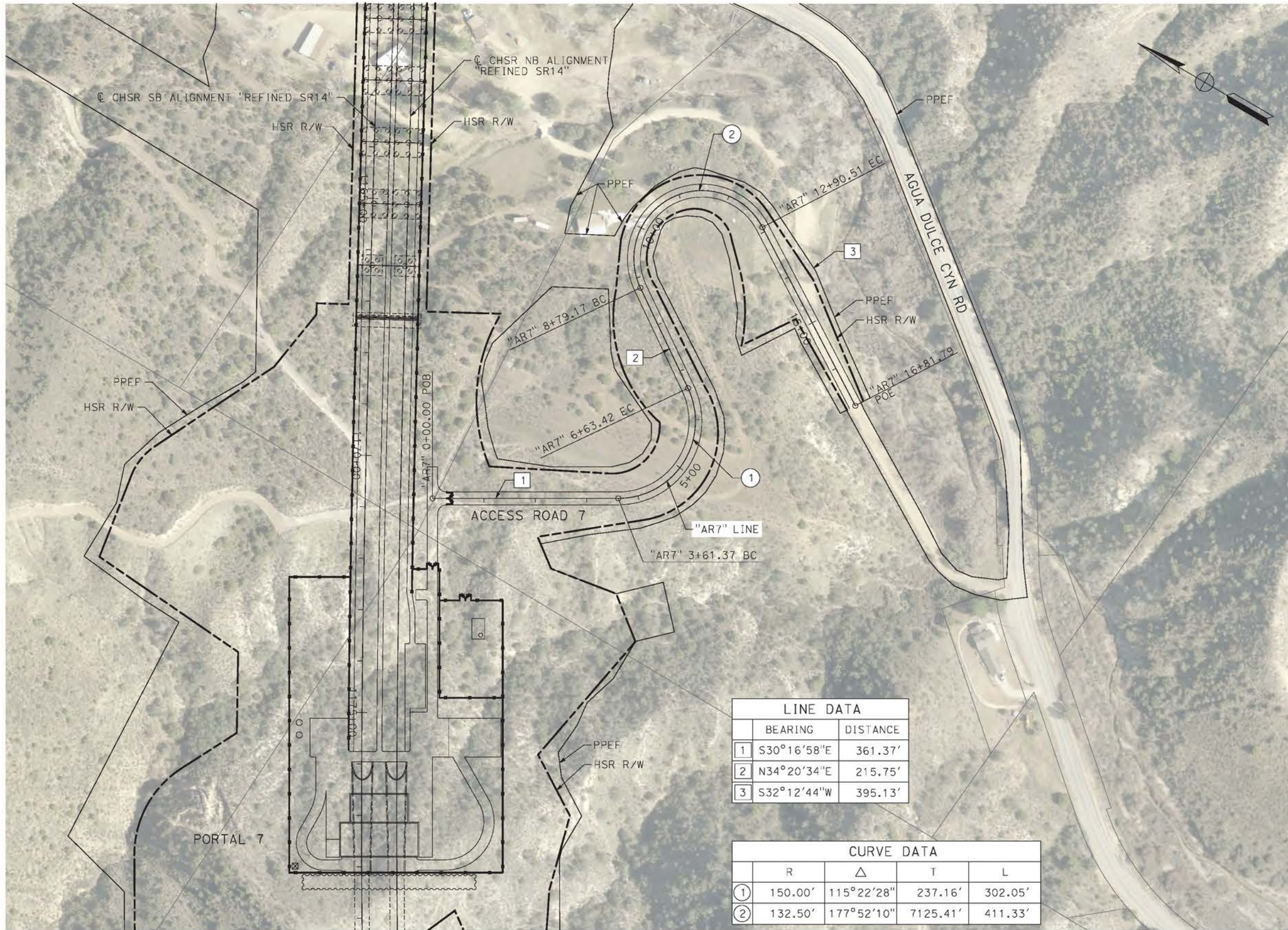
**CALIFORNIA HIGH-SPEED RAIL PROJECT
PALMDALE TO BURBANK**
ALIGNMENT "REFINED SR14"
ACCESS ROAD PLAN
ACCESS ROAD 6A
SHEET 3 OF 3

CONTRACT NO.
HSR14-42
DRAWING NO.
CV-Y4011-S14
SCALE
AS SHOWN
SHEET NO.

ct:\pwworkingdir\sener-us-pw-bentley.com_sener-us-pw-01\dalio.cordoba\dms24258\FB-CV-Y4012-S14.dgn

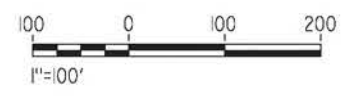
4/23/2021 9:35:11 PM

corco



LINE DATA		
	BEARING	DISTANCE
1	S30°16'58"E	361.37'
2	N34°20'34"E	215.75'
3	S32°12'44"W	395.13'

CURVE DATA				
	R	Δ	T	L
1	150.00'	115°22'28"	237.16'	302.05'
2	132.50'	177°52'10"	7125.41'	411.33'



REV	DATE	BY	CHK	APP	DESCRIPTION

DESIGNED BY
J.C. ALAMILLA
DRAWN BY
A. SANZ
CHECKED BY
R. RODRIGUEZ
IN CHARGE
A. RELANO
DATE
04/30/2021

PEPD RECORD SET
REV 02
NOT FOR CONSTRUCTION



CALIFORNIA HIGH-SPEED RAIL PROJECT
PALMDALE TO BURBANK
ALIGNMENT "REFINED SR14"
ACCESS ROAD PLAN
ACCESS ROAD 7

CONTRACT NO.
HSR14-42
DRAWING NO.
CV-Y4012-S14
SCALE
AS SHOWN
SHEET NO.

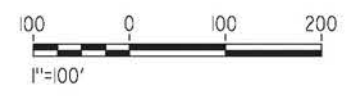
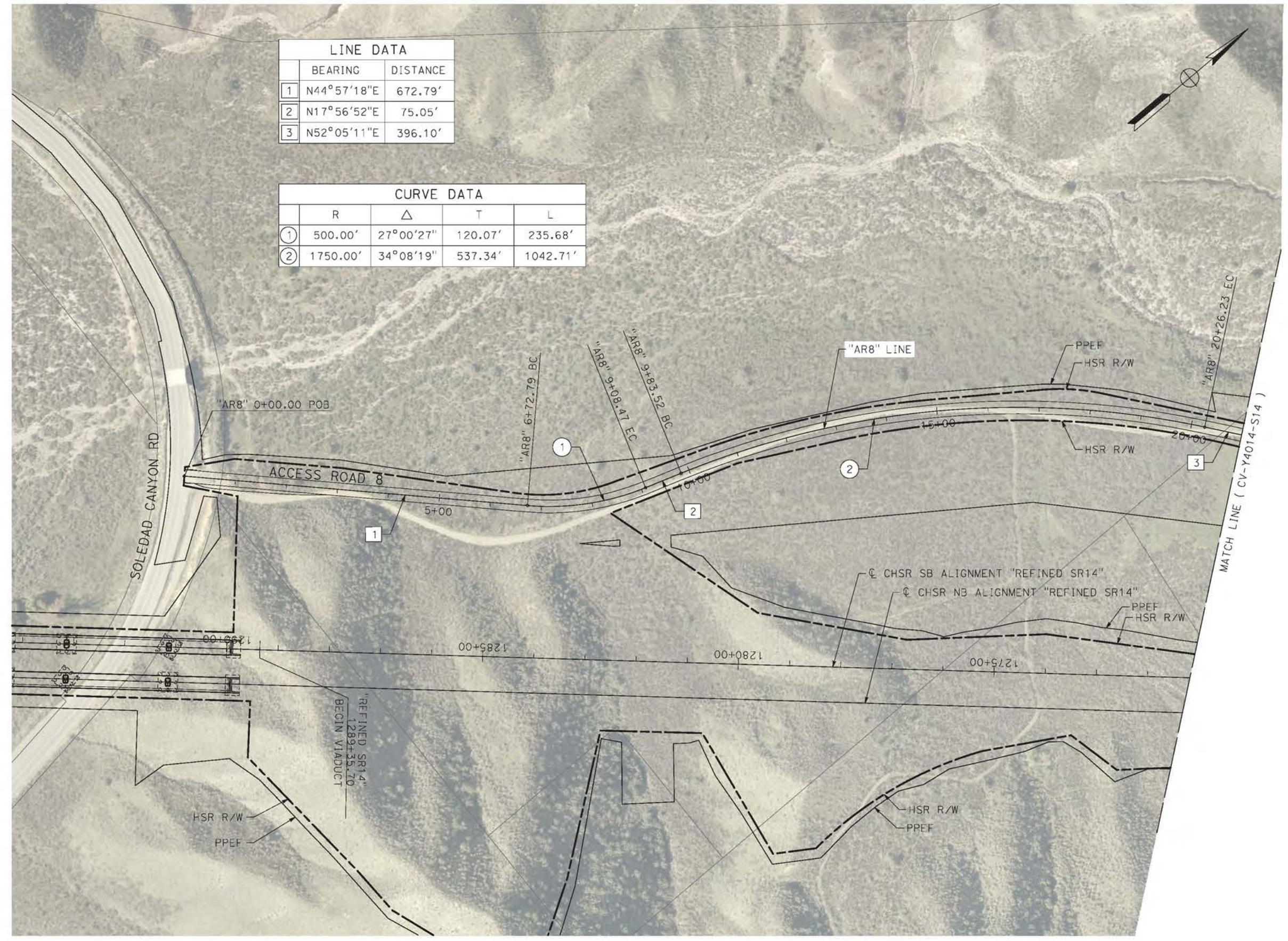
c:\pwork\kingdir\sener-us-pw.bentley.com_sener-us-pw-01\dalio.cordoba\dms24258VPB-CV-Y4013-S14.dgn

4/23/2021 9:44:25 PM

corco

LINE DATA		
	BEARING	DISTANCE
1	N44°57'18"E	672.79'
2	N17°56'52"E	75.05'
3	N52°05'11"E	396.10'

CURVE DATA				
	R	Δ	T	L
①	500.00'	27°00'27"	120.07'	235.68'
②	1750.00'	34°08'19"	537.34'	1042.71'

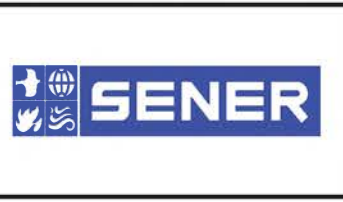


REV	DATE	BY	CHK	APP	DESCRIPTION

DESIGNED BY
J.C. ALAMILLA
DRAWN BY
A. SANZ
CHECKED BY
R. RODRIGUEZ
IN CHARGE
A. RELANO
DATE
04/30/2021

PEPD RECORD SET
REV 02

NOT FOR CONSTRUCTION



CALIFORNIA HIGH-SPEED RAIL PROJECT
PALMDALE TO BURBANK
ALIGNMENT "REFINED SR14"
ACCESS ROAD PLAN
ACCESS ROAD 8
SHEET 1 OF 3

CONTRACT NO.
HSR14-42
DRAWING NO.
CV-Y4013-S14
SCALE
AS SHOWN
SHEET NO.

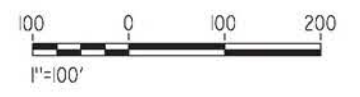
c:\pwworkingdir\sener-us-pw.bentley.com_sener-us-pw-01\dalio.cordoba\dms24258VPB-CV-Y4014-S14.dgn

4/23/2021 9:56:41 PM

corcco

LINE DATA		
	BEARING	DISTANCE
3	N52°05'11"E	396.10'
4	N41°55'50"E	1798.73'

CURVE DATA				
	R	Δ	T	L
3	1000.00'	10°09'21"	88.86'	177.25'
4	1000.00'	23°52'37"	211.43'	416.73'



REV	DATE	BY	CHK	APP	DESCRIPTION

DESIGNED BY
J.C. ALAMILLA
DRAWN BY
A. SANZ
CHECKED BY
R. RODRIGUEZ
IN CHARGE
A. RELANO
DATE
04/30/2021

PEPD RECORD SET
REV 02

NOT FOR CONSTRUCTION

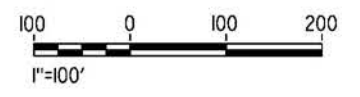
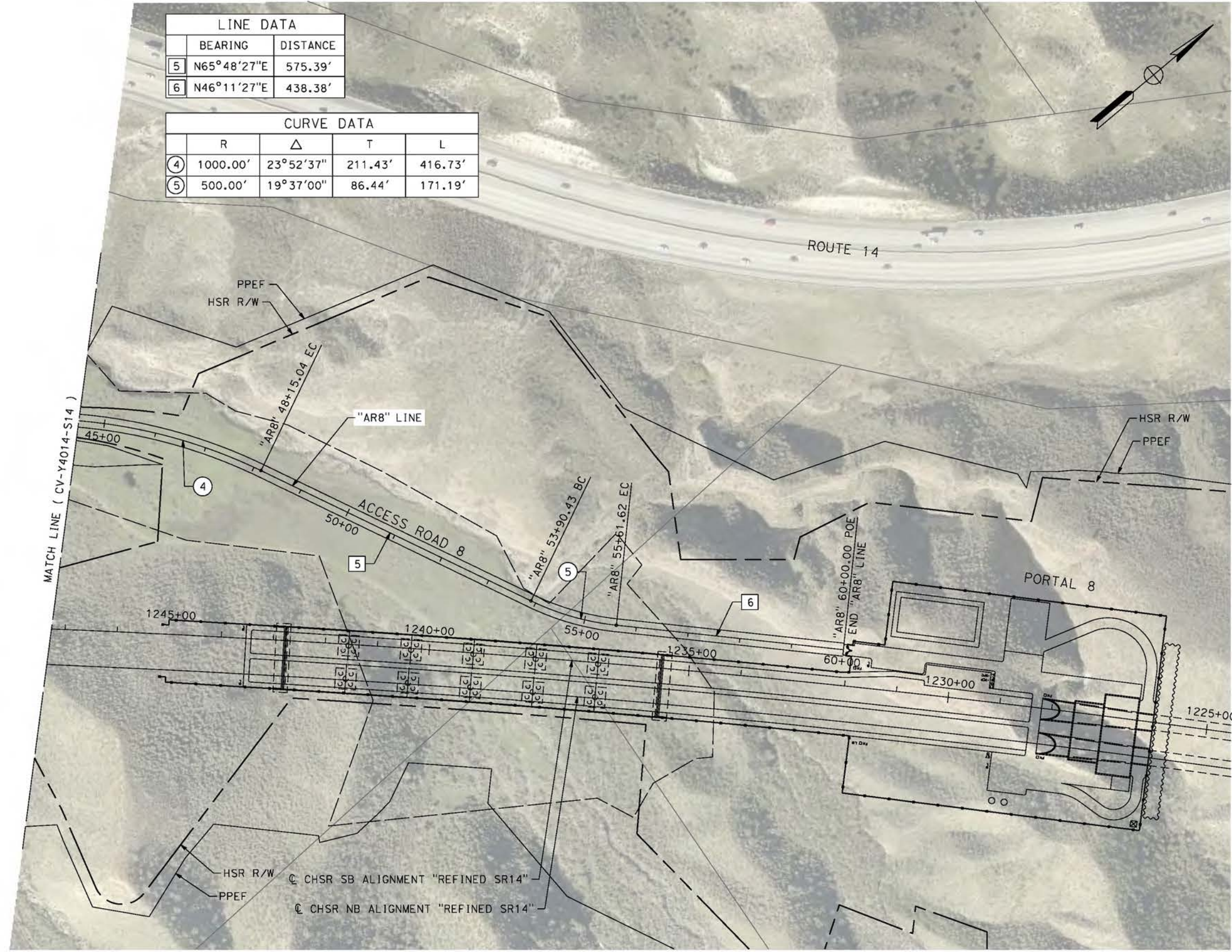


CALIFORNIA HIGH-SPEED RAIL PROJECT
PALMDALE TO BURBANK
ALIGNMENT "REFINED SR14"
ACCESS ROAD PLAN
ACCESS ROAD 8
SHEET 2 OF 3

CONTRACT NO.
HSR14-42
DRAWING NO.
CV-Y4014-S14
SCALE
AS SHOWN
SHEET NO.

LINE DATA		
	BEARING	DISTANCE
5	N65°48'27"E	575.39'
6	N46°11'27"E	438.38'

CURVE DATA				
	R	Δ	T	L
4	1000.00'	23°52'37"	211.43'	416.73'
5	500.00'	19°37'00"	86.44'	171.19'



c:\pwworkingdir\sener-us-pw-bentley.com_sener-us-pw-01\dalfo.cordoba\dms24258VPB-CV-Y4015-S14 DC.dgn

5/21/2021 1:11:10 AM

cordo

REV	DATE	BY	CHK	APP	DESCRIPTION

DESIGNED BY
J.C. ALAMILLA
DRAWN BY
A. SANZ
CHECKED BY
W. GUO
IN CHARGE
A. RELANO
DATE
04/30/2021

PEPD RECORD SET
REV 02

NOT FOR CONSTRUCTION



CALIFORNIA HIGH-SPEED RAIL PROJECT
PALMDALE TO BURBANK
ALIGNMENT "REFINED SR14"
ACCESS ROAD PLAN
ACCESS ROAD 8
SHEET 3 OF 3

CONTRACT NO.
HSR14-42
DRAWING NO.
CV-Y4015-S14
SCALE
AS SHOWN
SHEET NO.

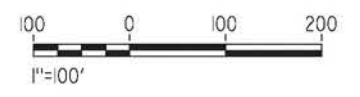
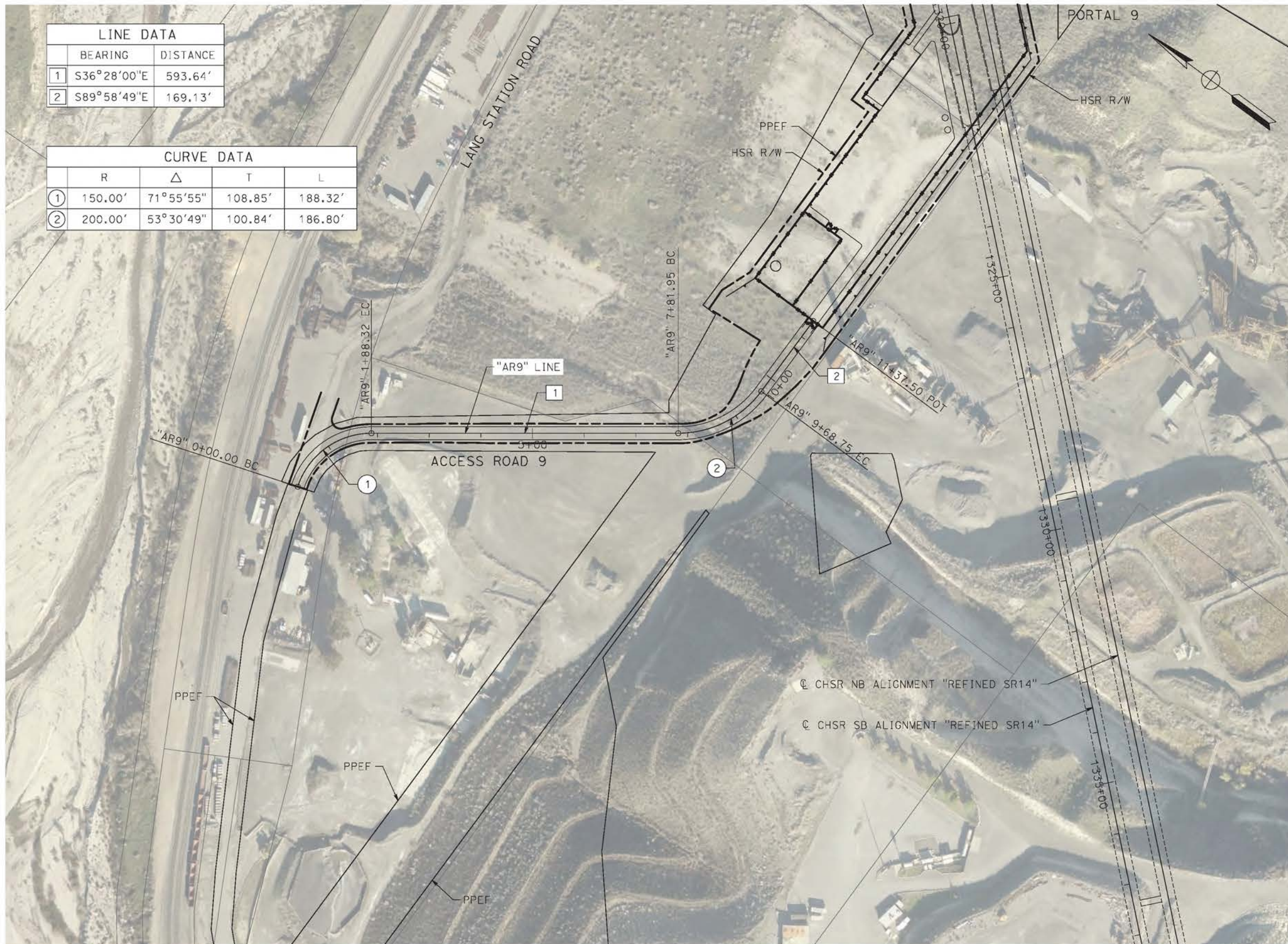
c:\pwworkingdir\sener-us-pw-bentley.com_sener-us-pw-01\dalio.cordoba\dms24258\FB-CV-Y4016-S14.dgn

4/23/2021 10:05:45 PM

cor/cor

LINE DATA	
BEARING	DISTANCE
1 S36°28'00"E	593.64'
2 S89°58'49"E	169.13'

CURVE DATA				
	R	Δ	T	L
①	150.00'	71°55'55"	108.85'	188.32'
②	200.00'	53°30'49"	100.84'	186.80'



REV	DATE	BY	CHK	APP	DESCRIPTION

DESIGNED BY
J.C. ALAMILLA
DRAWN BY
A. SANZ
CHECKED BY
R. RODRIGUEZ
IN CHARGE
A. RELANO
DATE
04/30/2021

PEPD RECORD SET
REV 02

NOT FOR CONSTRUCTION



CALIFORNIA HIGH-SPEED RAIL PROJECT
PALMDALE TO BURBANK
ALIGNMENT "REFINED SR14"
ACCESS ROAD PLAN
ACCESS ROAD 9

CONTRACT NO.
HSR14-42
DRAWING NO.
CV-Y4016-S14
SCALE
AS SHOWN
SHEET NO.

c:\pwworkingdir\sener-us-pw-bentley.com_sener-us-pw-01\dalio.cordoba\dms24258\FB-CV-Y4017-S14.dgn

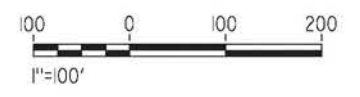
4/23/2021 10:18:26 PM

corco



LINE DATA		
	BEARING	DISTANCE
1	N46°34'33"E	143.18'
2	N00°00'00"E	145.68'
3	N24°39'25"E	354.85'

CURVE DATA				
	R	Δ	T	L
1	65.00'	46°34'33"	27.98'	52.84'



REV	DATE	BY	CHK	APP	DESCRIPTION

DESIGNED BY
J.C. ALAMILLA
DRAWN BY
A. SANZ
CHECKED BY
R. RODRIGUEZ
IN CHARGE
A. RELANO
DATE
04/30/2021

**PEPD RECORD SET
REV 02
NOT FOR
CONSTRUCTION**



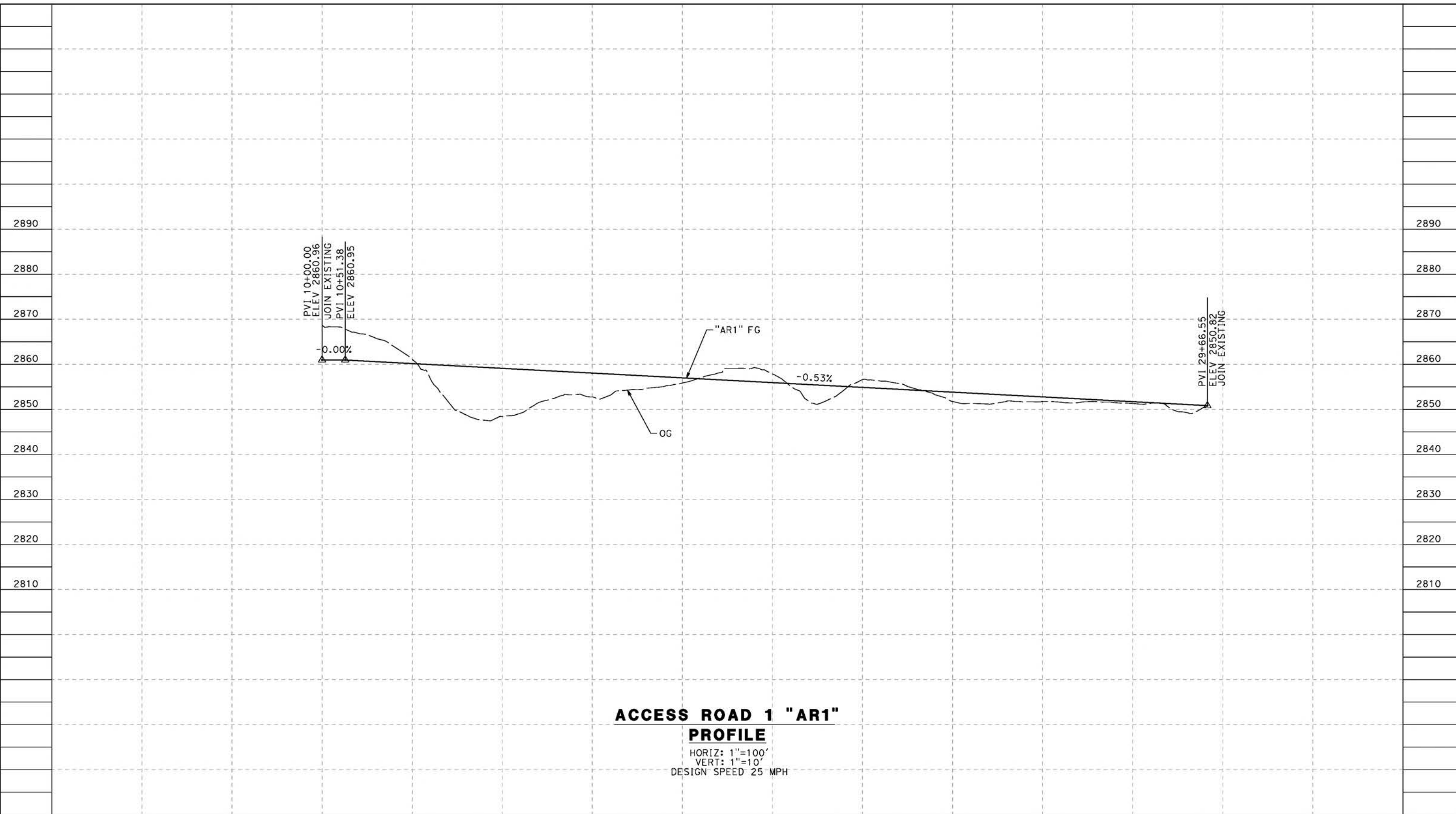
**CALIFORNIA HIGH-SPEED RAIL PROJECT
PALMDALE TO BURBANK**
ALIGNMENT "REFINED SR14"
ACCESS ROAD PLAN
WEST AND EAST ADIT ROAD OPTION 1 AND OPTION 2

CONTRACT NO.
HSR14-42
DRAWING NO.
CV-Y4017-S14
SCALE
AS SHOWN
SHEET NO.

ct:\pwworkingdir\sener-us-pw-bentley.com_sener-us-pw-01\da\fa\cordoba\dms24258VPB-CV-Y1001-S14.dgn

5/23/2021 8:27:46 PM

cordo



**ACCESS ROAD 1 "AR1"
PROFILE**

HORIZ: 1"=100'
VERT: 1"=10'
DESIGN SPEED 25 MPH

STATION	10+00	12+00	14+00	16+00	18+00	20+00	22+00	24+00	26+00	28+00	30+00	TOTAL
Exc												
Emb												

DESIGNED BY
J.C. ALAMILLA
DRAWN BY
A. SANZ
CHECKED BY
W. GUO
IN CHARGE
A. RELANO
DATE
04/30/2021

**PEPD RECORD SET
REV 02

NOT FOR
CONSTRUCTION**



**CALIFORNIA HIGH-SPEED RAIL PROJECT
PALMDALE TO BURBANK**
ALIGNMENT "REFINED SR14"
ACCESS ROAD PROFILE
ACCESS ROAD 1

CONTRACT NO.
HSR14-42
DRAWING NO.
CV-Y1001-S14
SCALE
AS SHOWN
SHEET NO.

REV	DATE	BY	CHK	APP	DESCRIPTION

c:\pwworkingdir\sener-us-pw-bentley.com_sener-us-pw-01\dalifa.cordoba\dms24258VPB-CV-Y1002-S14.dgn

5/23/2021 8:31:23 PM

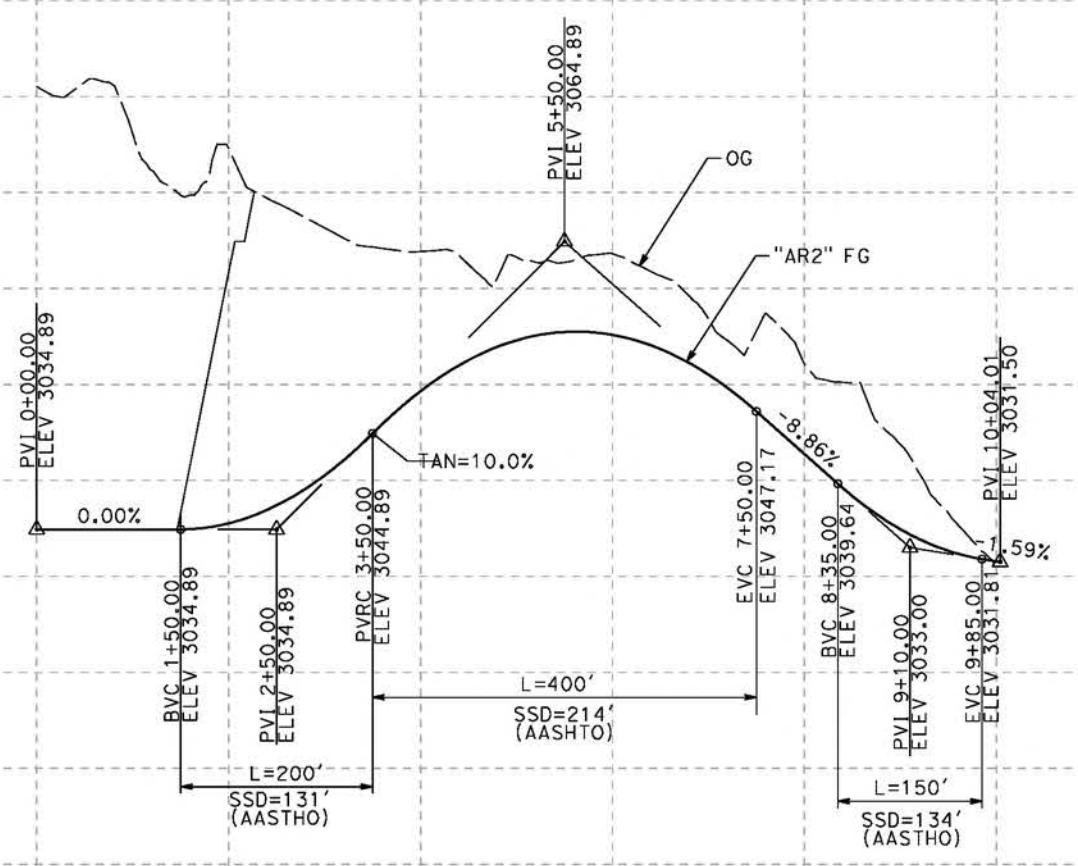
cordo

3100
3090
3080
3070
3060
3050
3040
3030
3020
3010

3100
3090
3080
3070
3060
3050
3040
3030
3020
3010

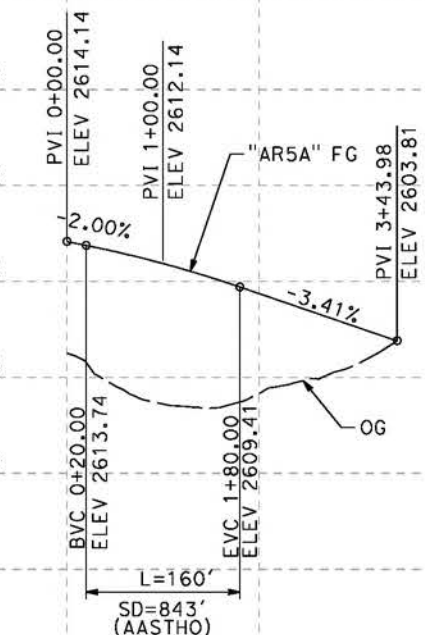
2630
2620
2610
2600
2590

2630
2620
2610
2600
2590



**ACCESS ROAD 2 "AR2"
PROFILE**

HORIZ: 1"=100'
VERT: 1"=10'
DESIGN SPEED 25 MPH



**ACCESS ROAD 5A "AR5A"
PROFILE**

HORIZ: 1"=100'
VERT: 1"=10'
DESIGN SPEED 25 MPH

STATION	0+00	2+00	4+00	6+00	8+00	10+00	0+00	2+00	4+00	TOTAL
---------	------	------	------	------	------	-------	------	------	------	-------

CY	Exc	
	Emb	

DESIGNED BY
J.C. ALAMILLA
DRAWN BY
A. SANZ
CHECKED BY
W. GUO
IN CHARGE
A. RELANO
DATE
04/30/2021

**PEPD RECORD SET
REV 02
NOT FOR
CONSTRUCTION**



**CALIFORNIA HIGH-SPEED RAIL PROJECT
PALMDALE TO BURBANK**
ALIGNMENT "REFINED SR14"
ACCESS ROAD PROFILE
ACCESS ROAD 2 AND ACCESS ROAD 5A

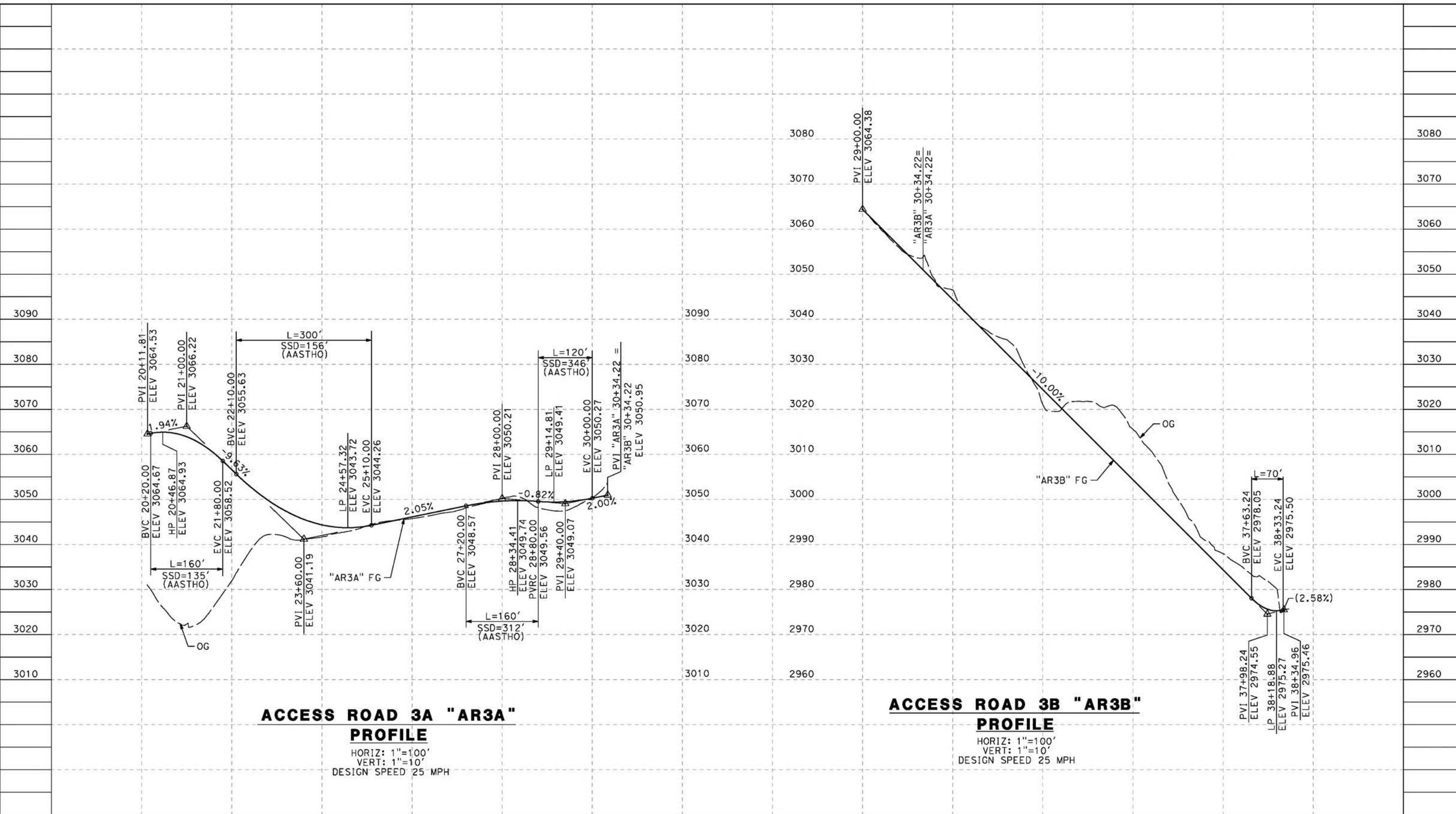
CONTRACT NO.
HSR14-42
DRAWING NO.
CV-Y1002-S14
SCALE
AS SHOWN
SHEET NO.

REV	DATE	BY	CHK	APP	DESCRIPTION

c:\pwworkingdir\sener-us-pw-bentley.com_sener-us-pw-01\dalfo.cordoba\dms24258VPB-CV-Y1003-S14.dgn

5/23/2021 8:33:53 PM

cordo



STATION	20+00	22+00	24+00	26+00	28+00	30+00	29+00	31+00	33+00	35+00	37+00	39+00	TOTAL
Exc													
Emb													

REV	DATE	BY	CHK	APP	DESCRIPTION

DESIGNED BY
J.C. ALAMILLA

DRAWN BY
A. SANZ

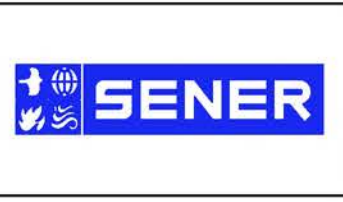
CHECKED BY
W. GUO

IN CHARGE
A. RELANO

DATE
04/30/2021

**PEPD RECORD SET
REV 02**

**NOT FOR
CONSTRUCTION**



**CALIFORNIA HIGH-SPEED RAIL PROJECT
PALMDALE TO BURBANK**

ALIGNMENT "REFINED SR14"
ACCESS ROAD PROFILE
ACCESS ROAD 3A & 3B

CONTRACT NO.
HSR14-42

DRAWING NO.
CV-Y1003-S14

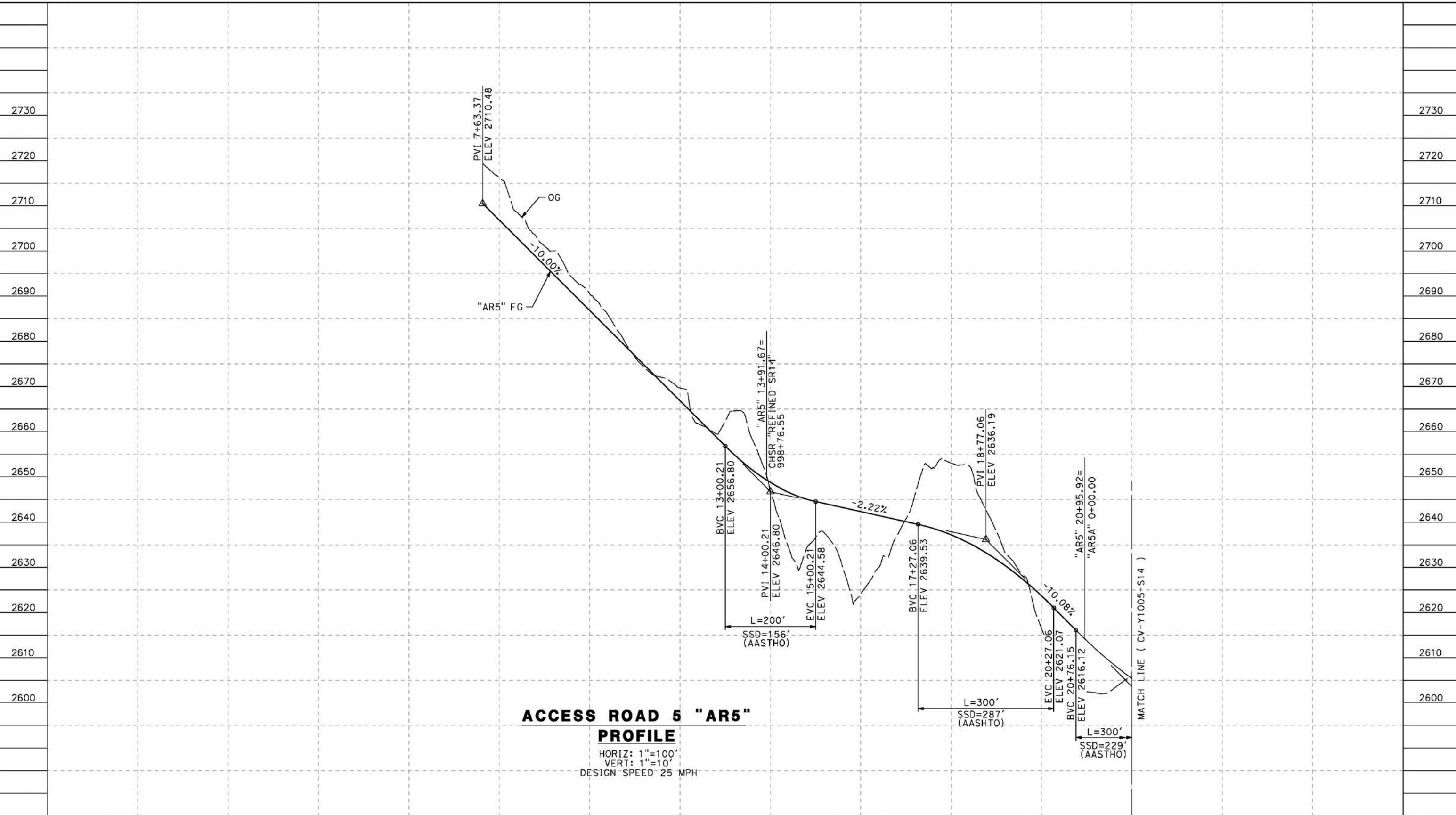
SCALE
AS SHOWN

SHEET NO.

ct:\pwworkingdir\sener-us-pw-bentley.com_sener-us-pw-01\dalifa.cordoba\dms24258VPB-CV-Y1004-S14.dgn

5/23/2021 8:35:20 PM

cordo



**ACCESS ROAD 5 "AR5"
PROFILE**

HORIZ: 1"=100'
VERT: 1"=10'
DESIGN SPEED 25 MPH

STATION	0+00	2+00	4+00	6+00	8+00	10+00	12+00	14+00	16+00	18+00	20+00	22+00	TOTAL
CY	Exc												
	Emb												

REV	DATE	BY	CHK	APP	DESCRIPTION

DESIGNED BY
J.C. ALAMILLA
DRAWN BY
A. SANZ
CHECKED BY
W. GUO
IN CHARGE
A. RELANO
DATE
04/30/2021

**PEPD RECORD SET
REV 02
NOT FOR
CONSTRUCTION**



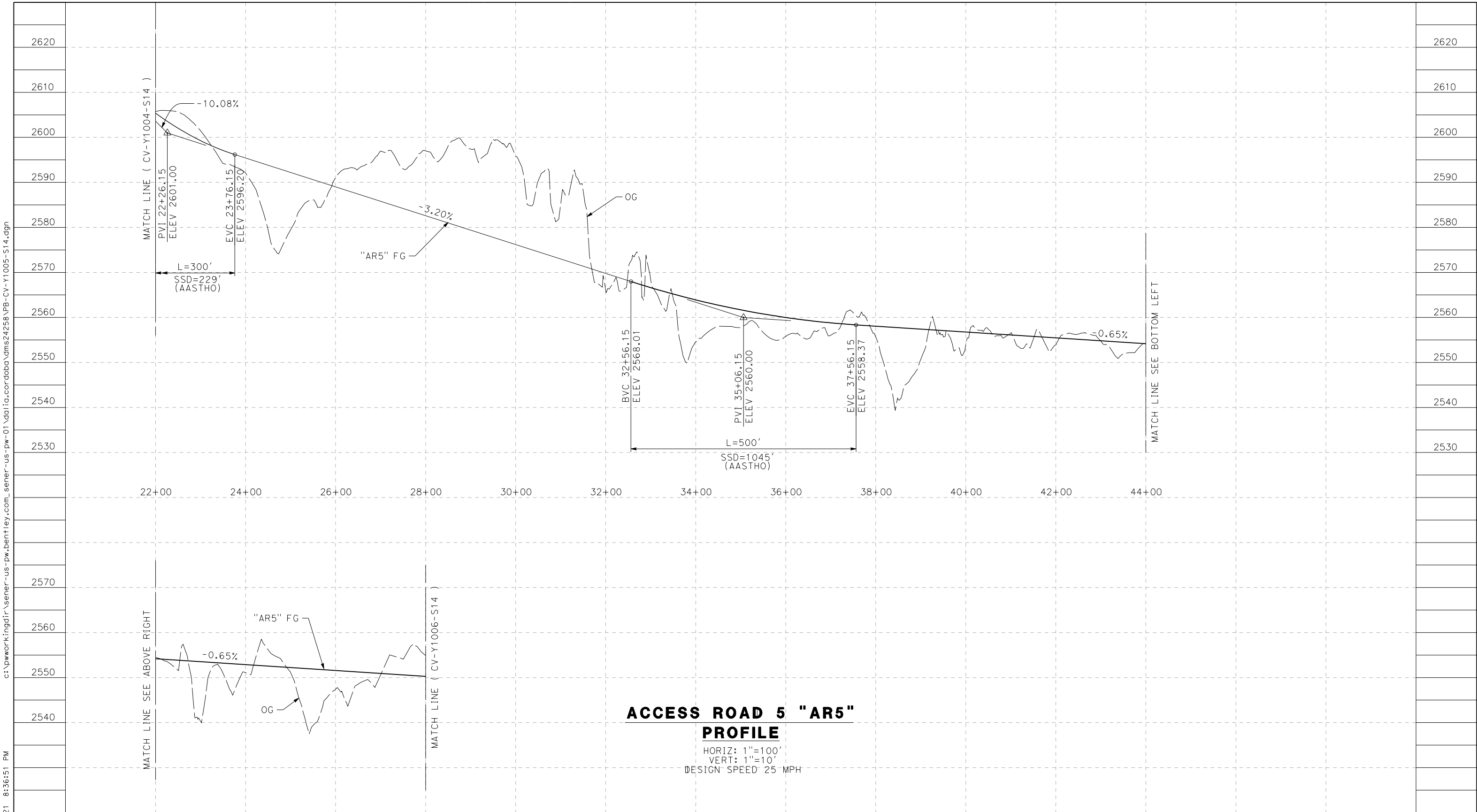
**CALIFORNIA HIGH-SPEED RAIL PROJECT
PALMDALE TO BURBANK**
ALIGNMENT "REFINED SR14"
ACCESS ROAD PROFILE
ACCESS ROAD 5
SHEET 1 OF 4

CONTRACT NO.
HSR14-42
DRAWING NO.
CV-Y1004-S14
SCALE
AS SHOWN
SHEET NO.

5/23/2021 8:36:51 PM c:\pwworkingdir\sener-us-pw.bentley.com_sener-us-pw-01\dalila.cordoba\dms24258\VPB-CV-Y1005-S14.dgn

cordo

5/23/2021 8:36:51 PM



ACCESS ROAD 5 "AR5" PROFILE

HORIZ: 1"=100'
 VERT: 1"=10'
 DESIGN SPEED 25 MPH

STATION	44+00	46+00	48+00	50+00	TOTAL
CY	Exc				
	Emb				

REV	DATE	BY	CHK	APP	DESCRIPTION

DESIGNED BY
J.C. ALAMILLA
 DRAWN BY
A. SANZ
 CHECKED BY
W. GUO
 IN CHARGE
A. RELANO
 DATE
04/30/2021

**PEPD RECORD SET
 REV 02
 NOT FOR
 CONSTRUCTION**



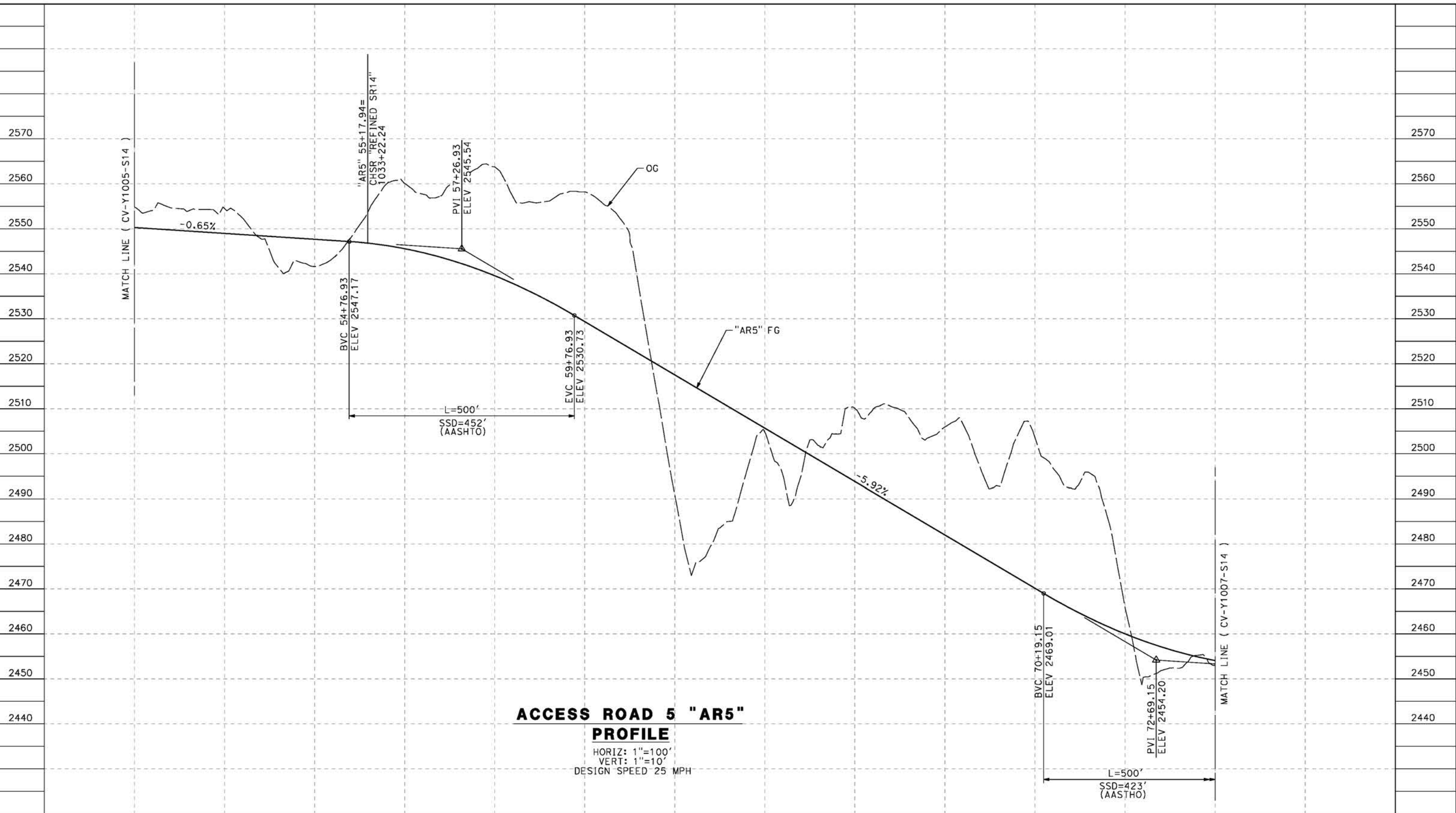
**CALIFORNIA HIGH-SPEED RAIL PROJECT
 PALMDALE TO BURBANK**
 ALIGNMENT "REFINED SR14"
 ACCESS ROAD PROFILE
 ACCESS ROAD 5
 SHEET 2 OF 4

CONTRACT NO.
HSR14-42
 DRAWING NO.
CV-Y1005-S14
 SCALE
AS SHOWN
 SHEET NO.

ct:\pwworkingdir\sener-us-pw-bentley.com_sener-us-pw-01\da\ca\cordoba\dms24258VPB-CV-Y1006-S14.dgn

5/23/2021 8:38:38 PM

cordo



**ACCESS ROAD 5 "AR5"
PROFILE**
HORIZ: 1"=100'
VERT: 1"=10'
DESIGN SPEED 25 MPH

STATION	50+00	52+00	54+00	56+00	58+00	60+00	62+00	64+00	66+00	68+00	70+00	72+00	74+00	TOTAL
CY	Exc													
	Emb													

REV	DATE	BY	CHK	APP	DESCRIPTION

DESIGNED BY
J.C. ALAMILLA
DRAWN BY
A. SANZ
CHECKED BY
W. GUO
IN CHARGE
A. RELANO
DATE
04/30/2021

**PEPD RECORD SET
REV 02**

**NOT FOR
CONSTRUCTION**



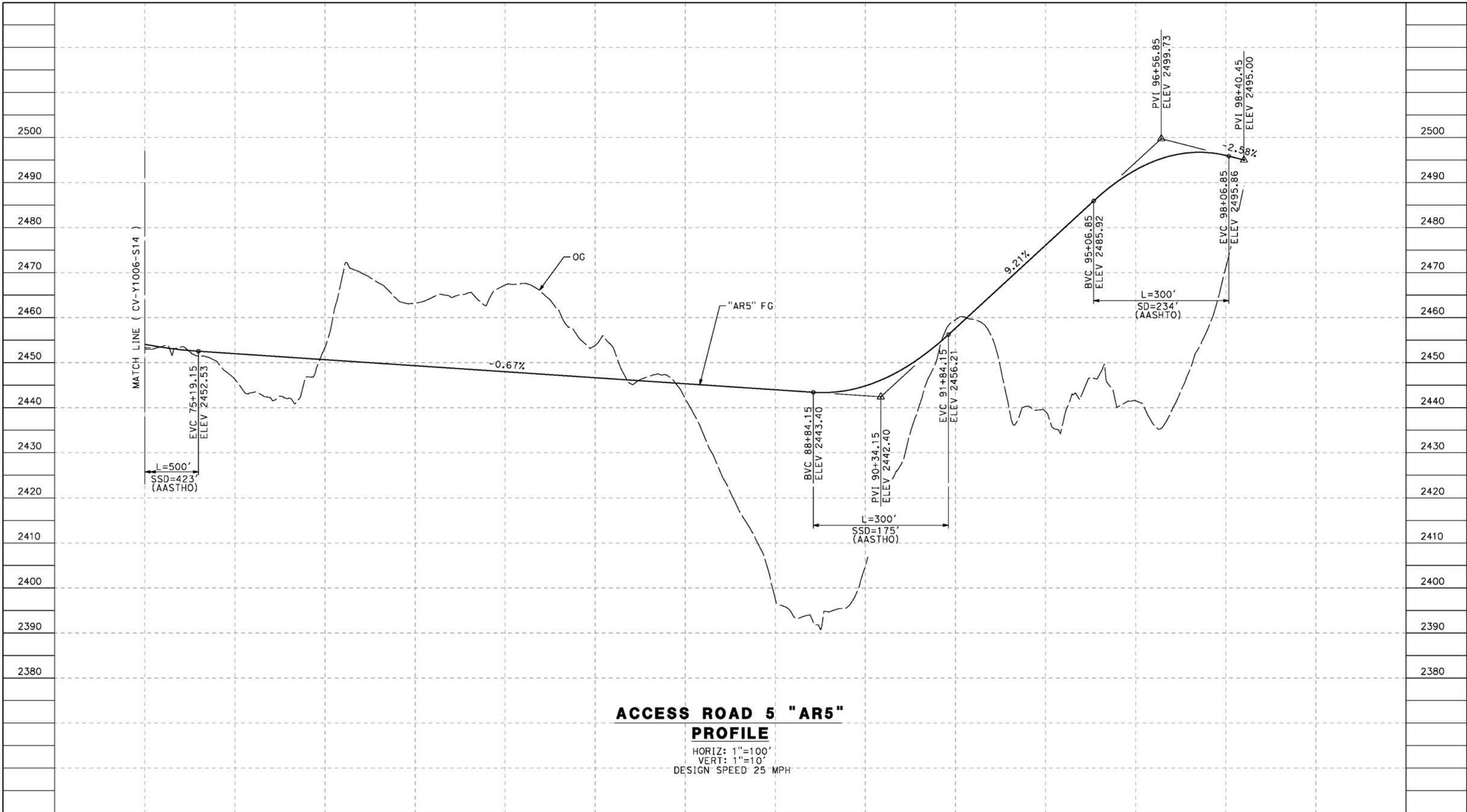
**CALIFORNIA HIGH-SPEED RAIL PROJECT
PALMDALE TO BURBANK**
ALIGNMENT "REFINED SR14"
ACCESS ROAD PROFILE
ACCESS ROAD 5
SHEET 3 OF 4

CONTRACT NO.
HSR14-42
DRAWING NO.
CV-Y1006-S14
SCALE
AS SHOWN
SHEET NO.

ct:\pwworking\ir\sener-us-pw-bentley.com_sener-us-pw-01\dl\cordoba\dms24258VPB-CV-Y1007-S14.dgn

5/23/2021 8:40:56 PM

cordo



**ACCESS ROAD 5 "AR5"
PROFILE**

HORIZ: 1"=100'
VERT: 1"=10'
DESIGN SPEED 25 MPH

STATION	74+00	76+00	78+00	80+00	82+00	84+00	86+00	88+00	90+00	92+00	94+00	96+00	98+00	TOTAL
Exc														
Emb														

REV	DATE	BY	CHK	APP	DESCRIPTION

DESIGNED BY
J.C. ALAMILLA
DRAWN BY
A. SANZ
CHECKED BY
W. GUO
IN CHARGE
A. RELANO
DATE
04/30/2021

**PEPD RECORD SET
REV 02**

**NOT FOR
CONSTRUCTION**



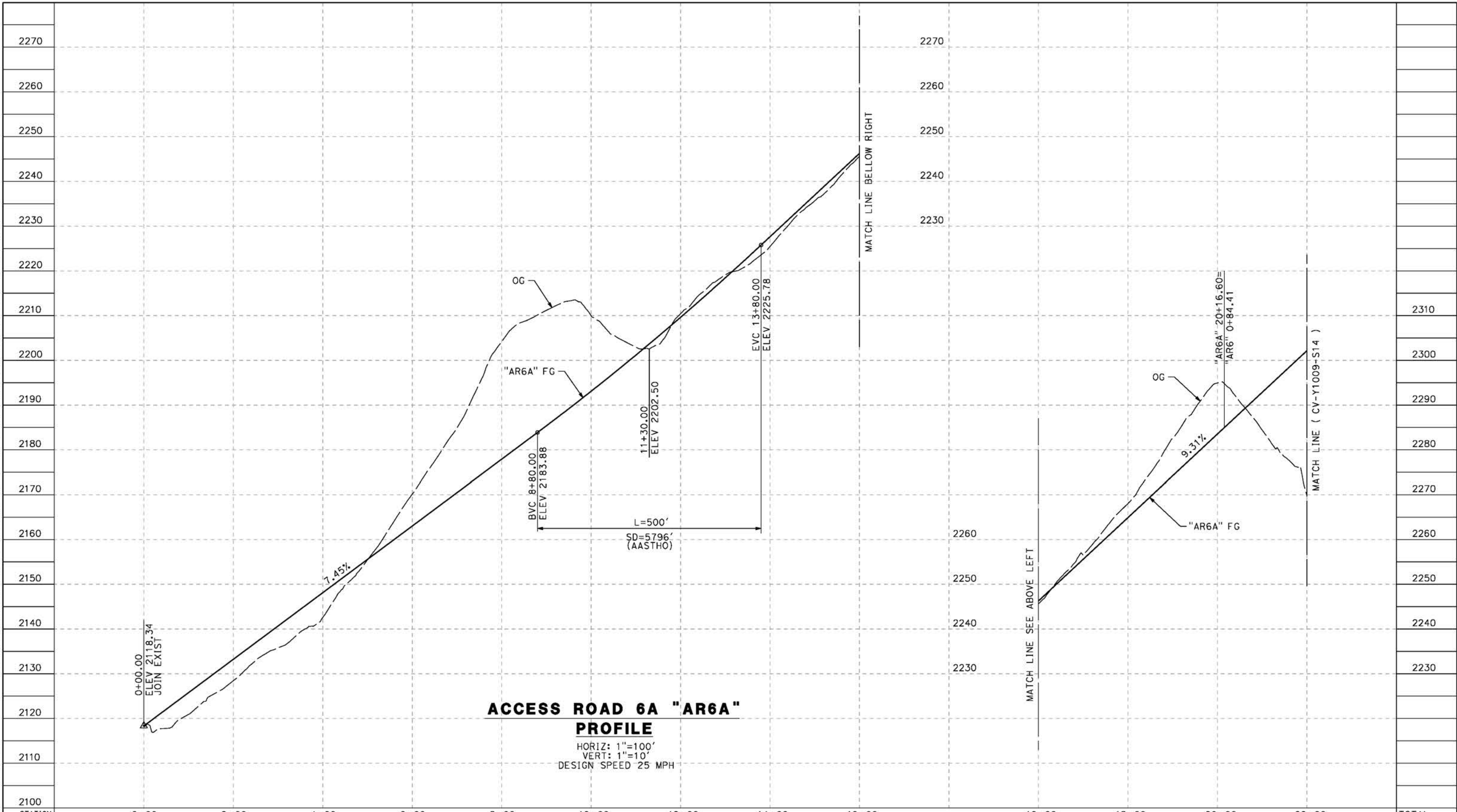
**CALIFORNIA HIGH-SPEED RAIL PROJECT
PALMDALE TO BURBANK**
ALIGNMENT "REFINED SR14"
ACCESS ROAD PROFILE
ACCESS ROAD 5
SHEET 4 OF 4

CONTRACT NO.
HSR14-42
DRAWING NO.
CV-Y1007-S14
SCALE
AS SHOWN
SHEET NO.

cs:\pwworking\ir\sener-us-pw.bentley.com_sener-us-pw-01\california\cordoba\dms24258\VPB-CV-Y1008-S14.dgn

5/26/2021 9:57:00 PM

cordo



ACCESS ROAD 6A "AR6A" PROFILE
 HORIZ: 1"=100'
 VERT: 1"=10'
 DESIGN SPEED 25 MPH

STATION	0+00	2+00	4+00	6+00	8+00	10+00	12+00	14+00	16+00	16+00	18+00	20+00	22+00	TOTAL
Exc														
Emb														

REV	DATE	BY	CHK	APP	DESCRIPTION

DESIGNED BY
J.C. ALAMILLA
 DRAWN BY
A. SANZ
 CHECKED BY
W. GUO
 IN CHARGE
A. RELANO
 DATE
04/30/2021

**PEPD RECORD SET
REV 02**

**NOT FOR
CONSTRUCTION**



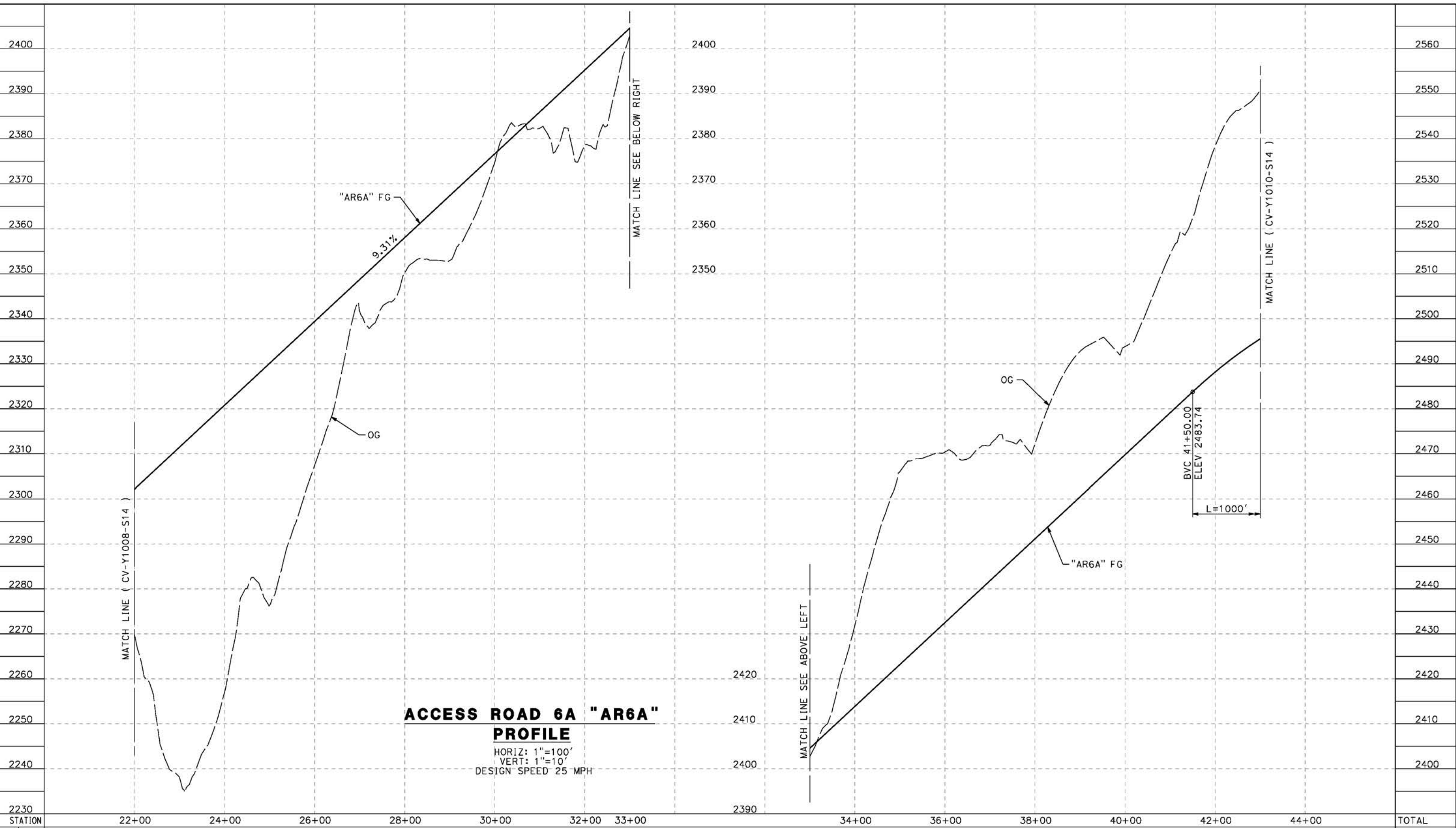
**CALIFORNIA HIGH-SPEED RAIL PROJECT
PALMDALE TO BURBANK**
 ALIGNMENT "REFINED SR14"
 ACCESS ROAD PROFILE
 ACCESS ROAD 6A
 SHEET 1 OF 3

CONTRACT NO.
HSR14-42
 DRAWING NO.
CV-Y1008-S14
 SCALE
AS SHOWN
 SHEET NO.

c:\pwworkingdir\sener-us-pw-bentley.com_sener-us-pw-01\ddo\ca\cordoba\dms24258VPB-cv-y1009-s14.dgn

5/23/2021 8:45:12 PM

cordo



**ACCESS ROAD 6A "AR6A"
PROFILE**

HORIZ: 1"=100'
VERT: 1"=10'
DESIGN SPEED 25 MPH

STATION	22+00	24+00	26+00	28+00	30+00	32+00	33+00	34+00	36+00	38+00	40+00	42+00	44+00	TOTAL
Exc														
Emb														

DESIGNED BY
J.C. ALAMILLA
DRAWN BY
A. SANZ
CHECKED BY
W. GUO
IN CHARGE
A. RELANO
DATE
04/30/2021

**PEPD RECORD SET
REV 02
NOT FOR
CONSTRUCTION**



**CALIFORNIA HIGH-SPEED RAIL PROJECT
PALMDALE TO BURBANK**
ALIGNMENT "REFINED SR14"
ACCESS ROAD PROFILE
ACCESS ROAD 6A
SHEET 2 OF 3

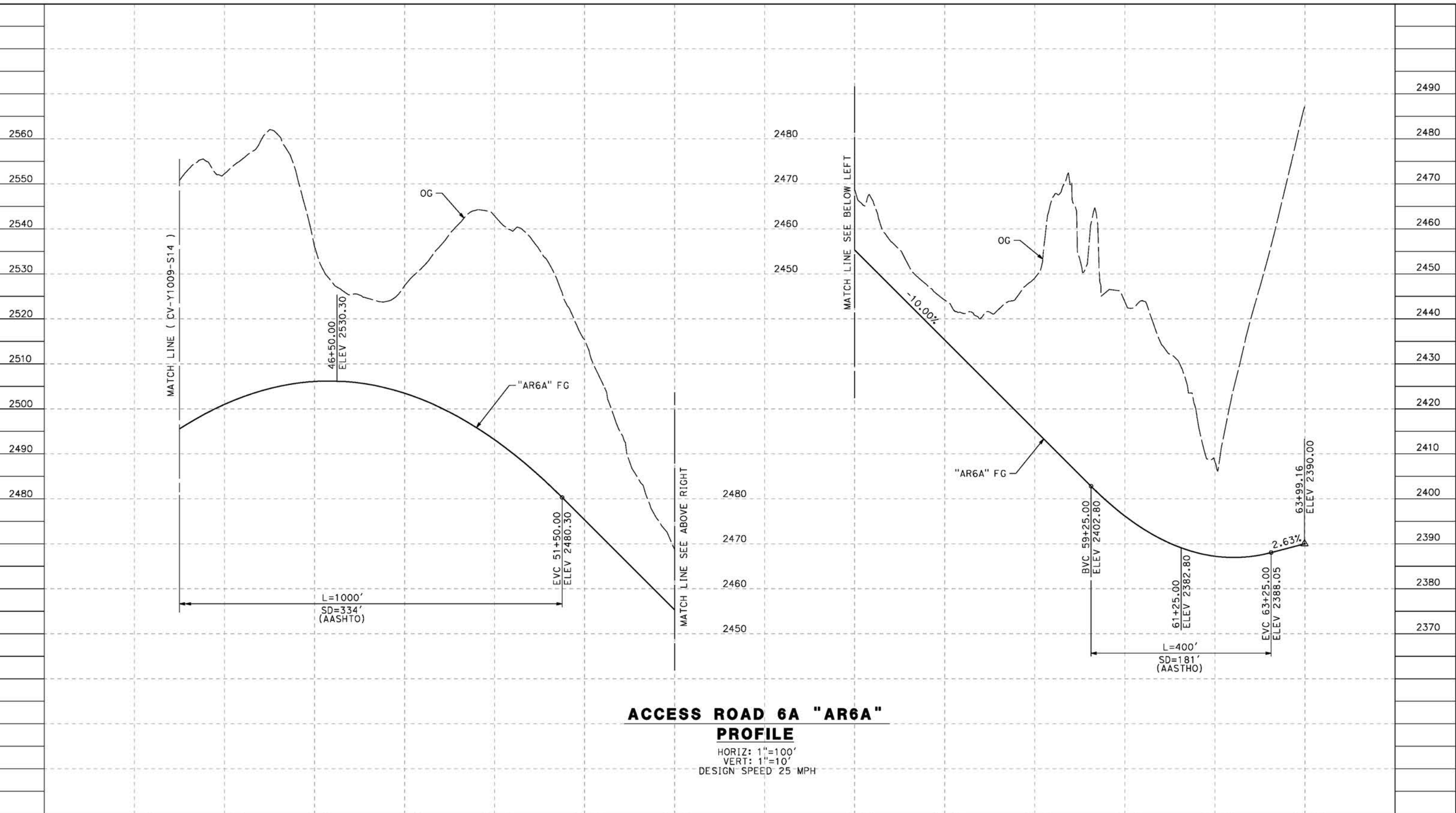
CONTRACT NO. HSR14-42
DRAWING NO. CV-Y1009-S14
SCALE AS SHOWN
SHEET NO.

REV	DATE	BY	CHK	APP	DESCRIPTION

ct:\pwworkingdir\sener-us-pw-bentley.com_sener-us-pw-01\dd\l\o\cordoba\dms24258VPB-CV-Y1010-S14.dgn

5/23/2021 8:47:00 PM

cordo



**ACCESS ROAD 6A "AR6A"
PROFILE**

HORIZ: 1"=100'
VERT: 1"=10'
DESIGN SPEED 25 MPH

STATION	42+00	44+00	46+00	48+00	50+00	52+00	54+00	54+00	56+00	58+00	60+00	62+00	64+00	TOTAL
Exc														
Emb														

DESIGNED BY
J.C. ALAMILLA
DRAWN BY
A. SANZ
CHECKED BY
W. GUO
IN CHARGE
A. RELANO
DATE
04/30/2021

**PEPD RECORD SET
REV 02
NOT FOR
CONSTRUCTION**



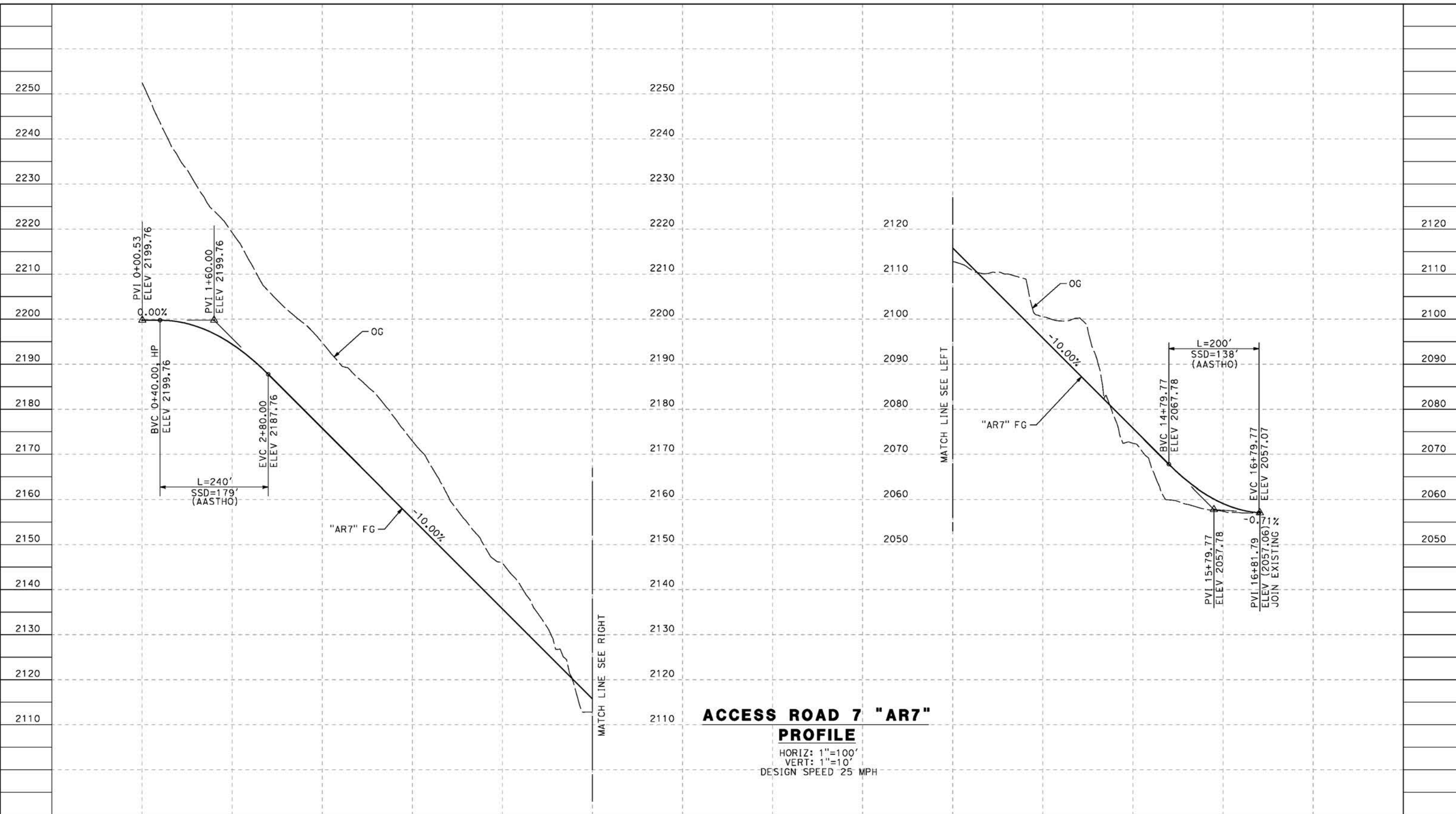
**CALIFORNIA HIGH-SPEED RAIL PROJECT
PALMDALE TO BURBANK**
ALIGNMENT "REFINED SR14"
ACCESS ROAD PROFILE
ACCESS ROAD 6A
SHEET 3 OF 3

CONTRACT NO.
HSR14-42
DRAWING NO.
CV-Y1010-S14
SCALE
AS SHOWN
SHEET NO.

REV	DATE	BY	CHK	APP	DESCRIPTION

5/26/2021 10:01:26 PM c:\pwworking\ir\sener-us-pw-bentley.com_sener-us-pw-01\dal\cordoba\dms24258VPB-CV-Y1011-S14.dgn

cordo



ACCESS ROAD 7 "AR7"
PROFILE
 HORIZ: 1"=100'
 VERT: 1"=10'
 DESIGN SPEED 25 MPH

STATION	0+00	2+00	4+00	6+00	8+00	10+00	10+00	12+00	14+00	16+00	18+00	TOTAL
Exc												
Emb												

REV	DATE	BY	CHK	APP	DESCRIPTION

DESIGNED BY
J.C. ALAMILLA
 DRAWN BY
A. SANZ
 CHECKED BY
W. GUO
 IN CHARGE
A. RELANO
 DATE
04/30/2021

PEPD RECORD SET
REV 02
NOT FOR CONSTRUCTION



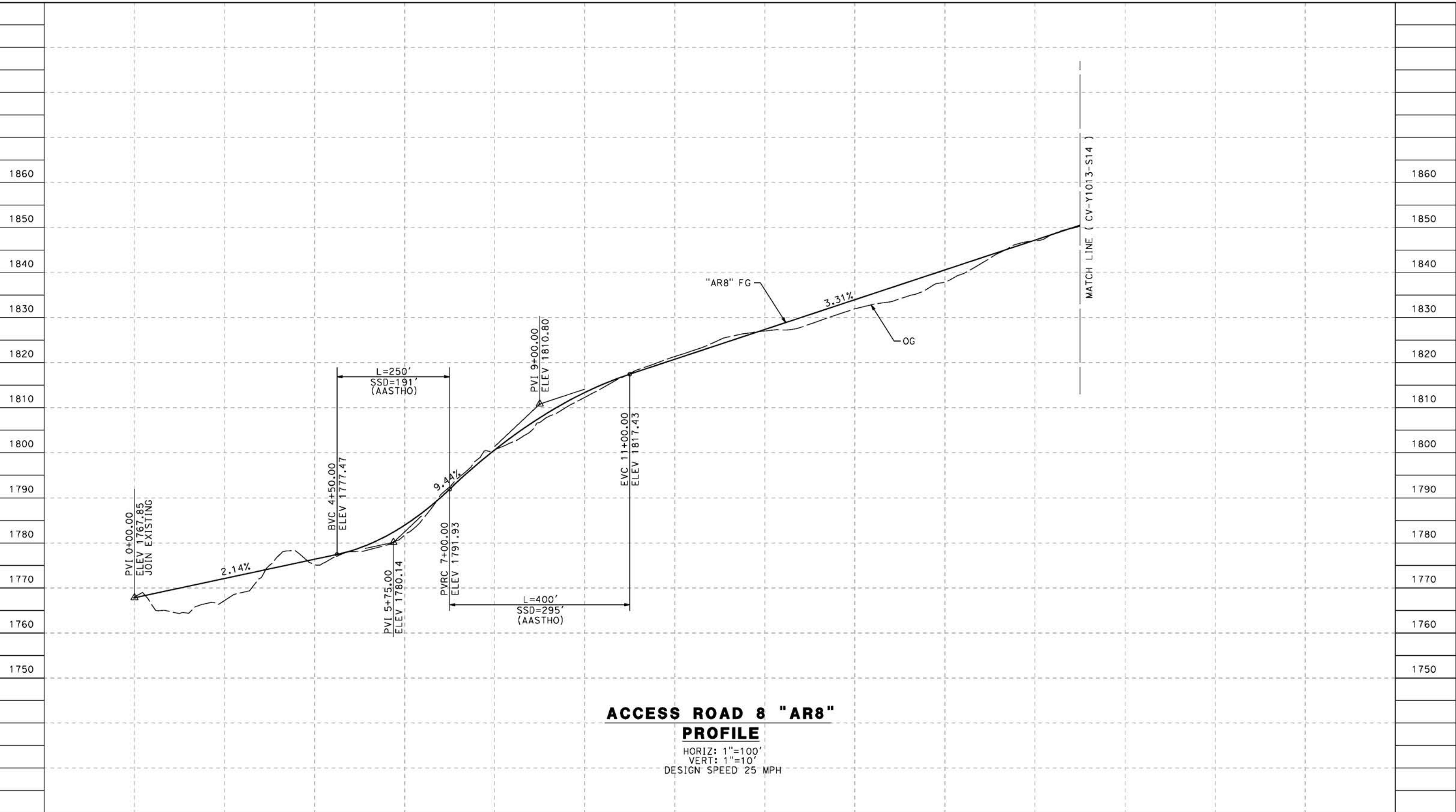
CALIFORNIA HIGH-SPEED RAIL PROJECT
PALMDALE TO BURBANK
 ALIGNMENT "REFINED SR14"
 ACCESS ROAD PROFILE
 ACCESS ROAD 7

CONTRACT NO.
HSR14-42
 DRAWING NO.
CV-Y1011-S14
 SCALE
AS SHOWN
 SHEET NO.

ct:\pwworking\ir\sener-us-pw.bentley.com_sener-us-pw-01\dal\cordoba\dms24258VPB-CV-Y1012-S14.dgn

5/23/2021 8:51:02 PM

cordo



ACCESS ROAD 8 "AR8"

PROFILE
 HORIZ: 1"=100'
 VERT: 1"=10'
 DESIGN SPEED 25 MPH

STATION	0+00	2+00	4+00	6+00	8+00	10+00	12+00	14+00	16+00	18+00	20+00	22+00	TOTAL
CY	Exc												
	Emb												

DESIGNED BY
J.C. ALAMILLA
 DRAWN BY
A. SANZ
 CHECKED BY
W. GUO
 IN CHARGE
A. RELANO
 DATE
04/30/2021

**PEPD RECORD SET
 REV 02
 NOT FOR
 CONSTRUCTION**



**CALIFORNIA HIGH-SPEED RAIL PROJECT
 PALMDALE TO BURBANK**
 ALIGNMENT "REFINED SR14"
 ACCESS ROAD PROFILE
 ACCESS ROAD 8
 SHEET 1 OF 3

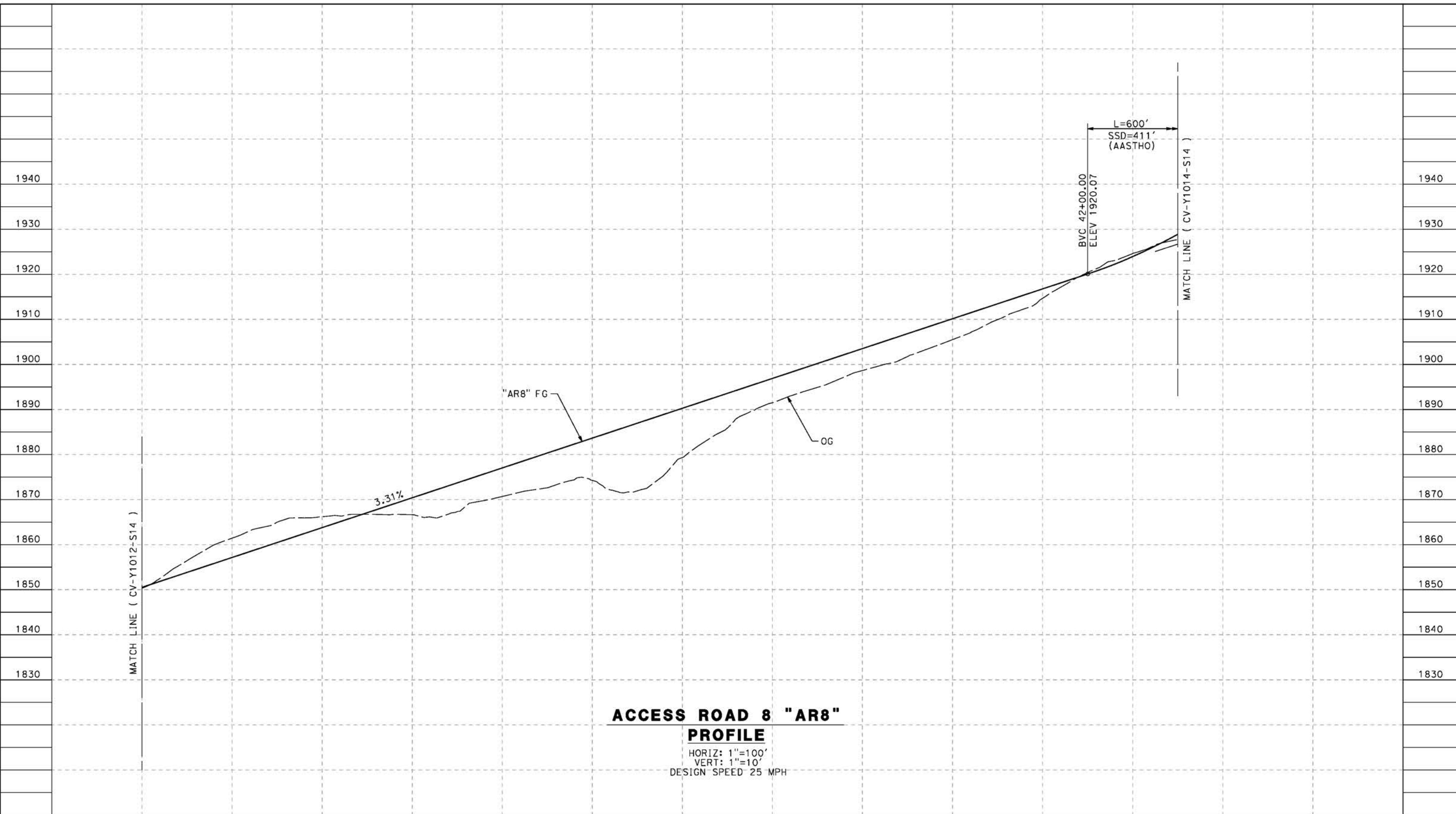
CONTRACT NO.
HSR14-42
 DRAWING NO.
CV-Y1012-S14
 SCALE
AS SHOWN
 SHEET NO.

REV	DATE	BY	CHK	APP	DESCRIPTION

c:\pwworkingdir\sener-us-pw-bentley.com_sener-us-pw-01\do\cordoba\dms24258VPB-CV-Y1013-S14.dgn

5/23/2021 8:52:40 PM

cordo



ACCESS ROAD 8 "AR8"

PROFILE

HORIZ: 1"=100'
 VERT: 1"=10'
 DESIGN SPEED 25 MPH

STATION	21+00	22+00	24+00	26+00	28+00	30+00	32+00	34+00	36+00	38+00	40+00	42+00	44+00	TOTAL
CY	Exc													
	Emb													

DESIGNED BY
J.C. ALAMILLA
 DRAWN BY
A. SANZ
 CHECKED BY
W. GUO
 IN CHARGE
A. RELANO
 DATE
04/30/2021

**PEPD RECORD SET
 REV 02**

**NOT FOR
 CONSTRUCTION**



**CALIFORNIA HIGH-SPEED RAIL PROJECT
 PALMDALE TO BURBANK**

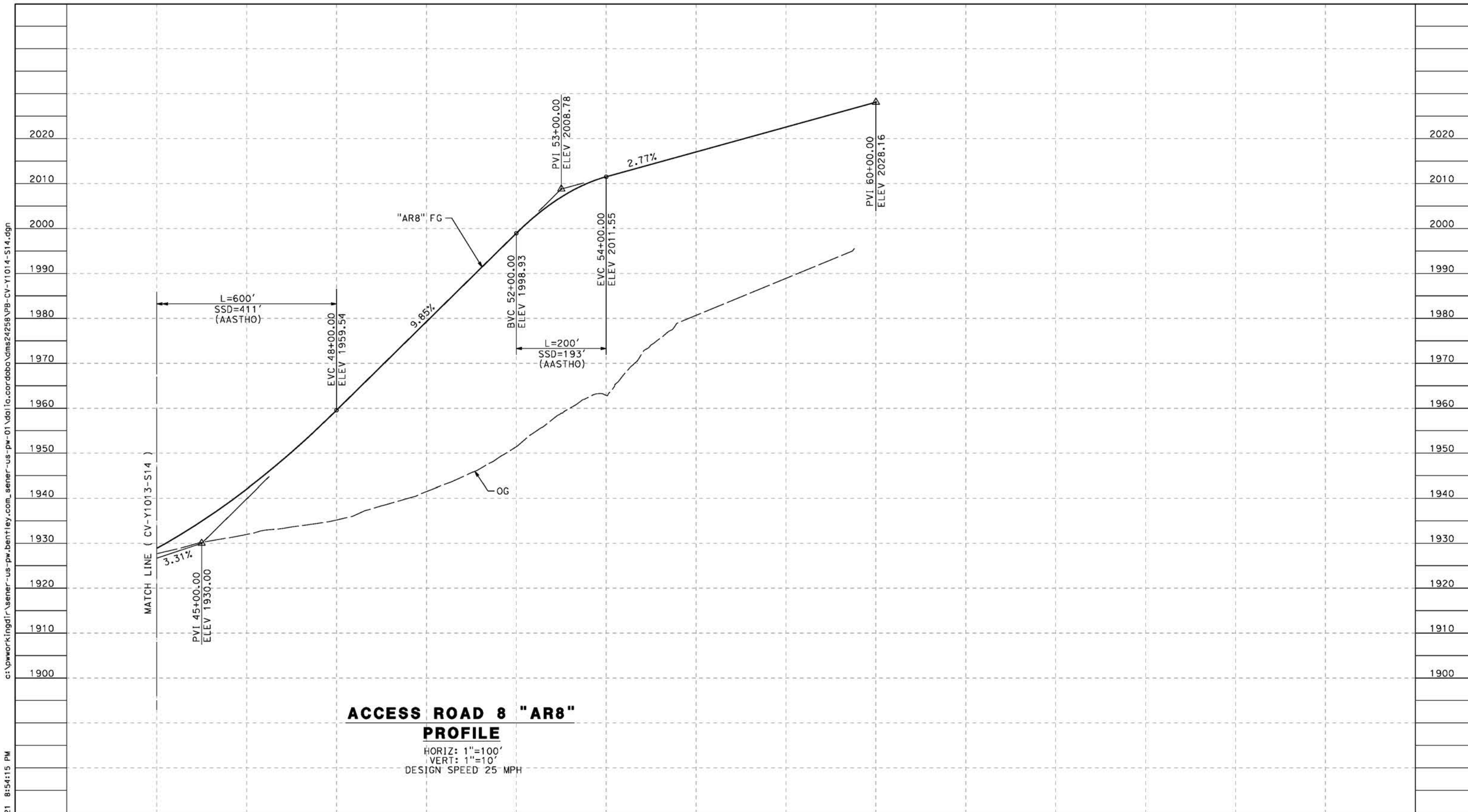
ALIGNMENT "REFINED SR14"
 ACCESS ROAD PROFILE
 ACCESS ROAD 8
 SHEET 2 OF 3

CONTRACT NO.
HSR14-42
 DRAWING NO.
CV-Y1013-S14
 SCALE
AS SHOWN
 SHEET NO.

REV	DATE	BY	CHK	APP	DESCRIPTION

5/23/2021 8:54:15 PM c:\pwworkingdir\sener-us-pw-bentley.com_sener-us-pw-01\ddo\cordoba\dms24258VPB-CV-Y1014-S14.dgn

cordo



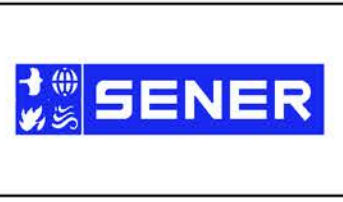
ACCESS ROAD 8 "AR8"
PROFILE
 HORIZ: 1"=100'
 VERT: 1"=10'
 DESIGN SPEED 25 MPH

STATION	44+00	46+00	48+00	50+00	52+00	54+00	56+00	58+00	60+00	TOTAL
CY	Exc									
	Emb									

REV	DATE	BY	CHK	APP	DESCRIPTION

DESIGNED BY
J.C. ALAMILLA
 DRAWN BY
A. SANZ
 CHECKED BY
W. GUO
 IN CHARGE
A. RELANO
 DATE
04/30/2021

PEPD RECORD SET
REV 02
NOT FOR
CONSTRUCTION



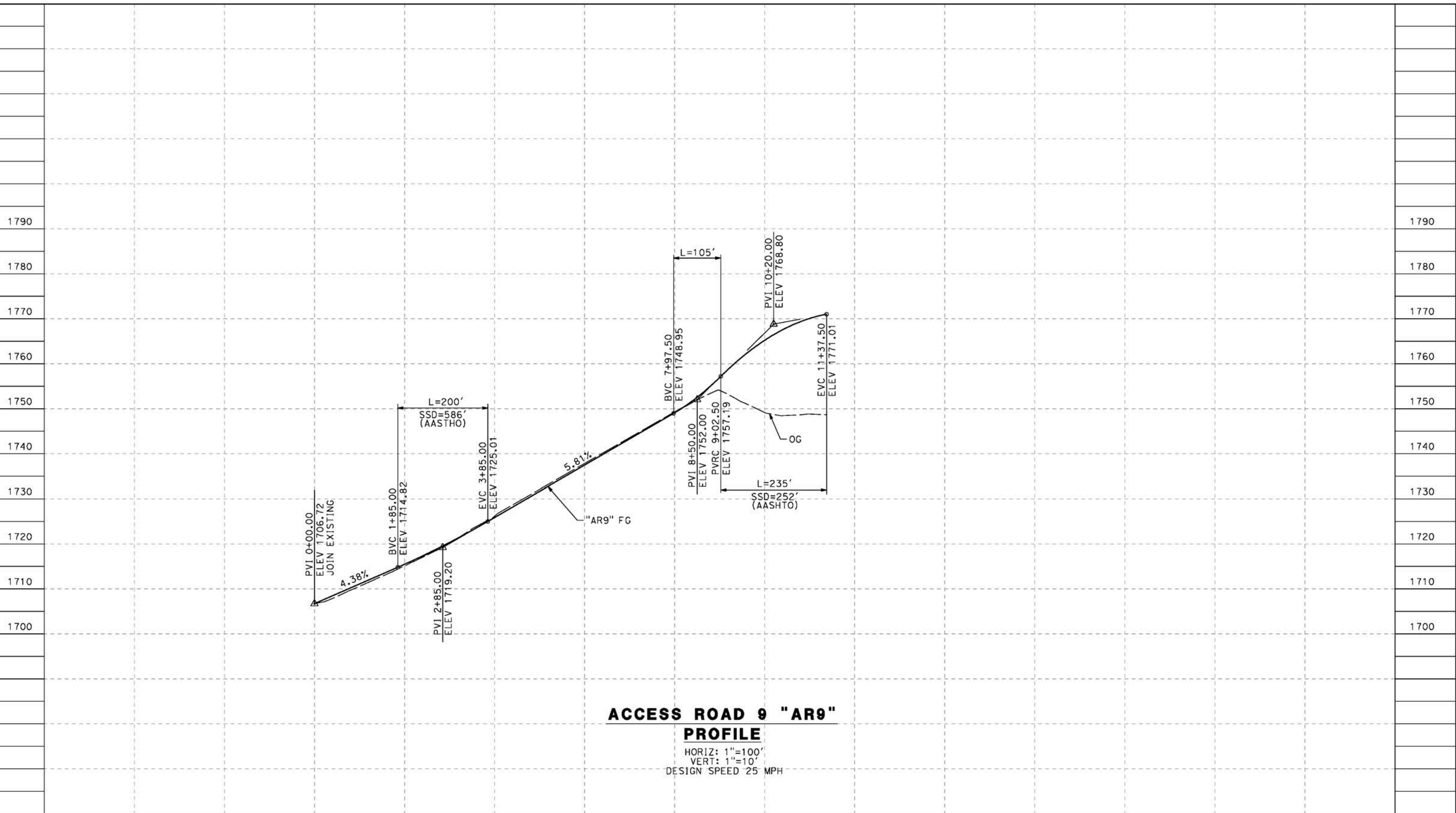
CALIFORNIA HIGH-SPEED RAIL PROJECT
PALMDALE TO BURBANK
 ALIGNMENT "REFINED SR14"
 ACCESS ROAD PROFILE
 ACCESS ROAD 8
 SHEET 3 OF 3

CONTRACT NO.
HSR14-42
 DRAWING NO.
CV-Y1014-S14
 SCALE
AS SHOWN
 SHEET NO.

c:\pwworking\dir\sener-us-pw-bentley.com_sener-us-pw-01\dal\cordoba\dms24258VPB-CV-Y1015-S14.dgn

5/23/2021 8:56:06 PM

cordo



ACCESS ROAD 9 "AR9"
PROFILE
 HORIZ: 1"=100'
 VERT: 1"=10'
 DESIGN SPEED 25 MPH

STATION	0+00	2+00	4+00	6+00	8+00	10+00	12+00	14+00	16+00	TOTAL
Exc										
Emb										

DESIGNED BY
J.C. ALAMILLA
 DRAWN BY
A. SANZ
 CHECKED BY
W. GUO
 IN CHARGE
A. RELANO
 DATE
04/30/2021

PEPD RECORD SET
REV 02
NOT FOR
CONSTRUCTION



CALIFORNIA HIGH-SPEED RAIL PROJECT
PALMDALE TO BURBANK
 ALIGNMENT "REFINED SR14"
 ACCESS ROAD PROFILE
 ACCESS ROAD 9

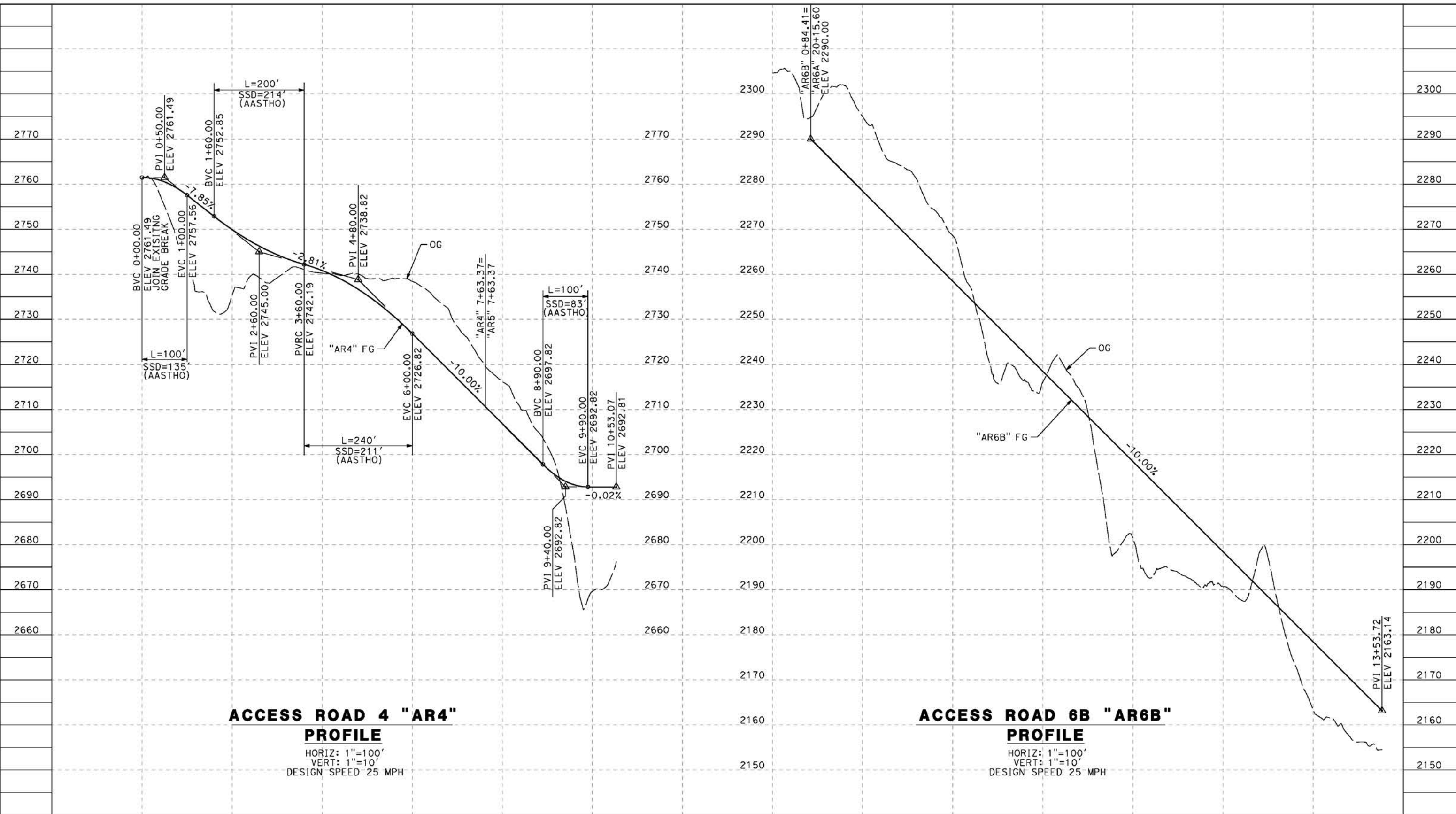
CONTRACT NO.
HSR14-42
 DRAWING NO.
CV-Y1015-S14
 SCALE
AS SHOWN
 SHEET NO.

REV	DATE	BY	CHK	APP	DESCRIPTION

c:\pwworking\dir\sener-us-pw-bentley.com_sener-us-pw-01\do\cordoba\dms24258VPB-CV-Y1016-S14.dgn

5/23/2021 8:58:06 PM

cordo



ACCESS ROAD 4 "AR4" PROFILE
 HORIZ: 1"=100'
 VERT: 1"=10'
 DESIGN SPEED 25 MPH

ACCESS ROAD 6B "AR6B" PROFILE
 HORIZ: 1"=100'
 VERT: 1"=10'
 DESIGN SPEED 25 MPH

STATION	0+00	2+00	4+00	6+00	8+00	10+00	12+00	0+00	2+00	4+00	6+00	8+00	10+00	12+00	TOTAL
CY	Exc														
	Emb														

DESIGNED BY
J.C. ALAMILLA
 DRAWN BY
A. SANZ
 CHECKED BY
W. GUO
 IN CHARGE
A. RELANO
 DATE
04/30/2021

**PEPD RECORD SET
REV 02**

**NOT FOR
CONSTRUCTION**



**CALIFORNIA HIGH-SPEED RAIL PROJECT
PALMDALE TO BURBANK**
 ALIGNMENT "REFINED SR14"
 ACCESS ROAD PROFILE
 ACCESS ROAD 4 & ACCESS ROAD 6B

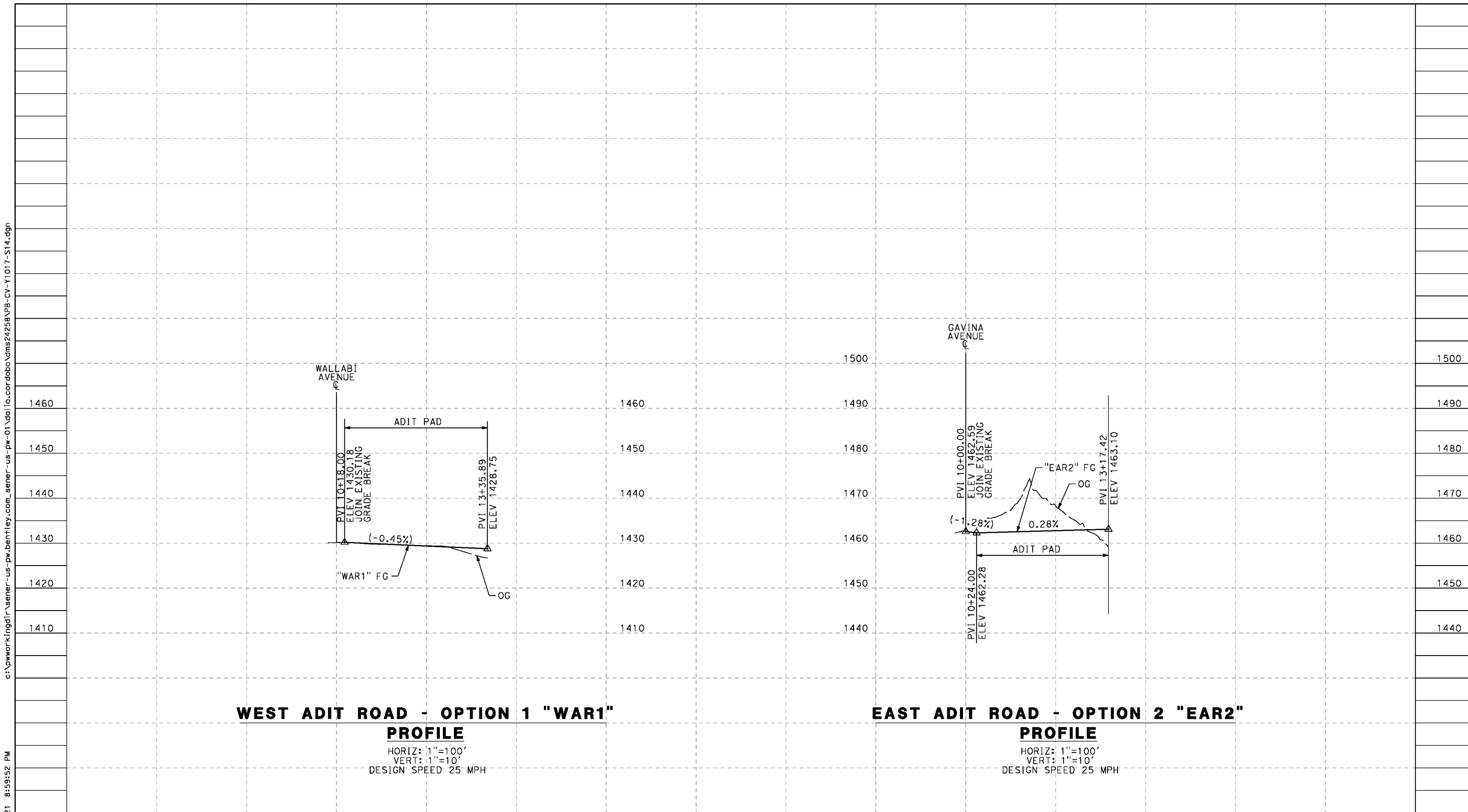
CONTRACT NO.
HSR14-42
 DRAWING NO.
CV-Y1016-S14
 SCALE
AS SHOWN
 SHEET NO.

REV	DATE	BY	CHK	APP	DESCRIPTION

cs:\pwworkingdir\sener-us-pw-bentley.com_sener-us-pw-01\da\ta\cordoba\dms24258VPB-CV-Y1017-S14.dgn

5/23/2021 8:59:52 PM

cordo



WEST ADIT ROAD - OPTION 1 "WAR1"

PROFILE

HORIZ: 1"=100'
VERT: 1"=10'
DESIGN SPEED 25 MPH

EAST ADIT ROAD - OPTION 2 "EAR2"

PROFILE

HORIZ: 1"=100'
VERT: 1"=10'
DESIGN SPEED 25 MPH

STATION	8+00	10+00	12+00	14+00	8+00	10+00	12+00	14+00	TOTAL
CY	Exc								
	Emb								

DESIGNED BY	J.C. ALAMILLA
DRAWN BY	A. SANZ
CHECKED BY	W. GUO
IN CHARGE	A. RELANO
DATE	04/30/2021

**PEPD RECORD SET
REV 02**

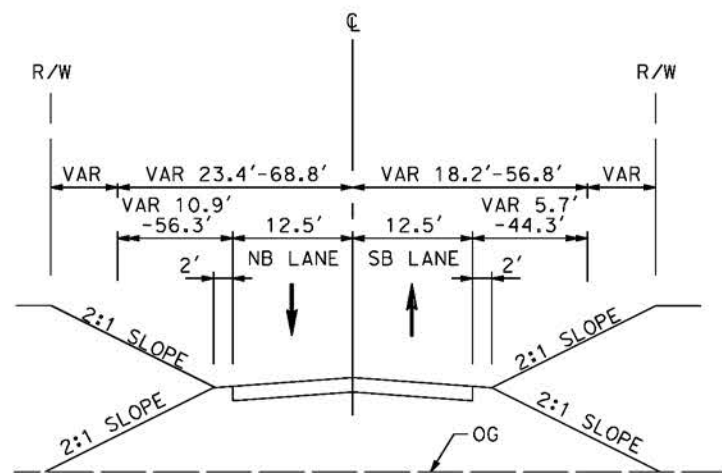
**NOT FOR
CONSTRUCTION**



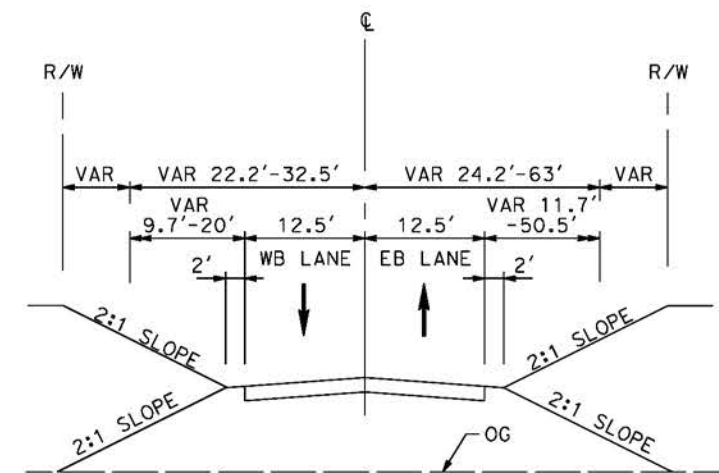
**CALIFORNIA HIGH-SPEED RAIL PROJECT
PALMDALE TO BURBANK**

ALIGNMENT "REFINED SR14"
ACCESS ROAD PROFILE
WEST AND EAST ADIT ROAD OPTION 1 AND OPTION 2

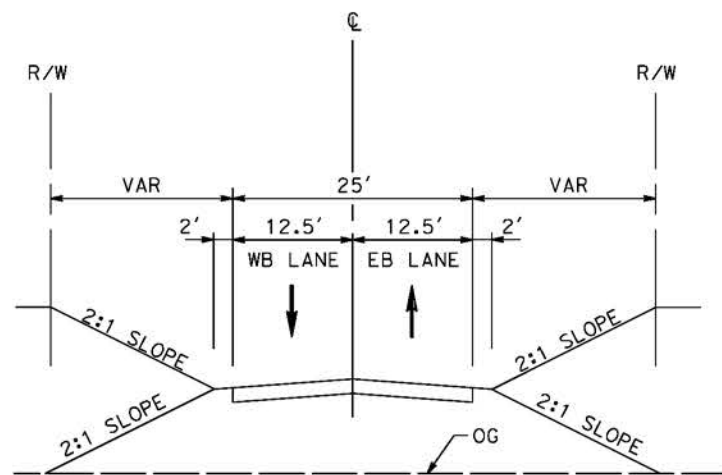
CONTRACT NO.	HSR14-42
DRAWING NO.	CV-Y1017-S14
SCALE	AS SHOWN
SHEET NO.	



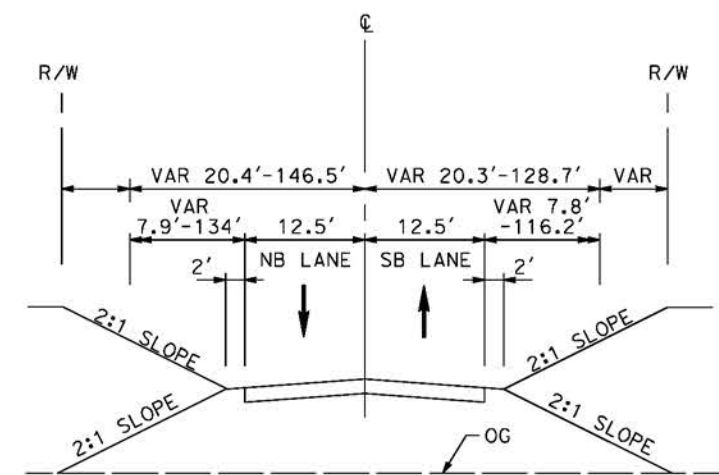
ACCESS ROAD 2
STA 0+00 TO STA 10+04.01



ACCESS ROAD 3B
STA 29+00 TO STA 38+34.96



ACCESS ROAD 1
STA 10+00 TO STA 29+65.87



ACCESS ROAD 3A
STA 20+12.81 TO STA 30+34.22

c:\pwworkingdir\sener-us-pw-bentley.com_sener-us-pw-01\dal\cordoba\dms24258VPB-cv-Y3001-S14.dgn

5/21/2021 2:01:26 AM

cordo

REV	DATE	BY	CHK	APP	DESCRIPTION

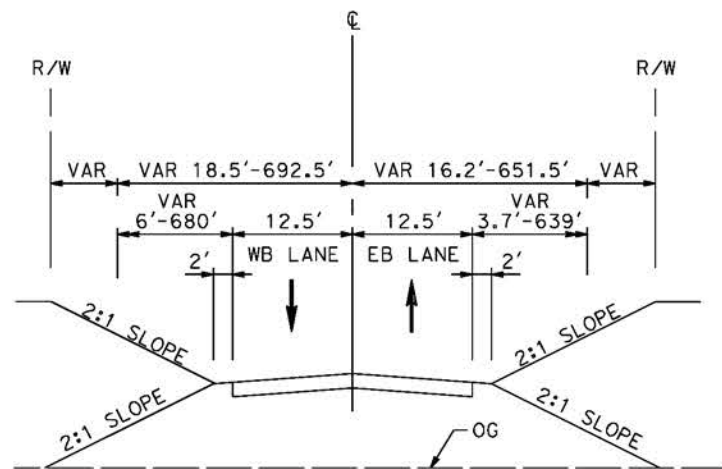
DESIGNED BY
J.C. ALAMILLA
DRAWN BY
A. SANZ
CHECKED BY
W. GUO
IN CHARGE
A. RELANO
DATE
04/30/2021

**PEPD RECORD SET
REV 02
NOT FOR
CONSTRUCTION**

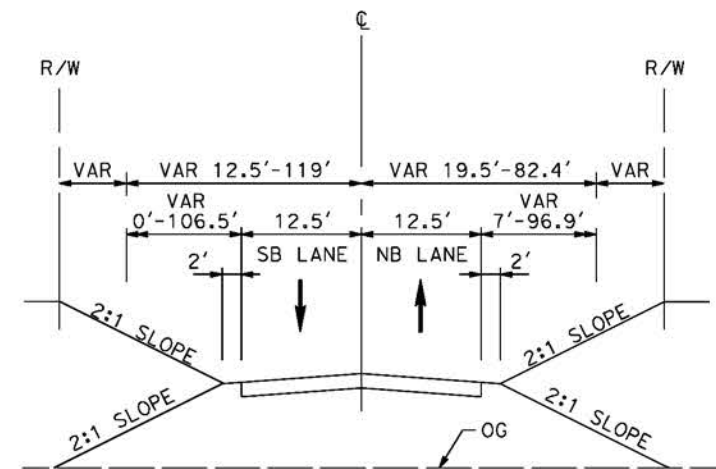


**CALIFORNIA HIGH-SPEED RAIL PROJECT
PALMDALE TO BURBANK**
ALIGNMENT "REFINED SR14"
TYPICAL SECTIONS
ACCESS ROAD 1, 2, 3A AND 3B

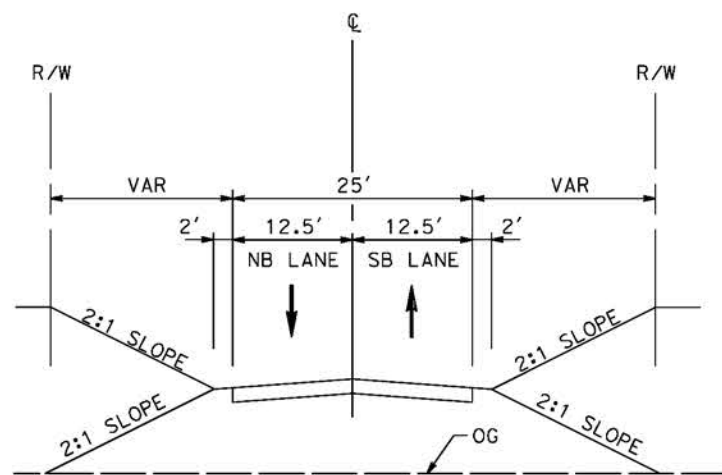
CONTRACT NO. HSR14-42
DRAWING NO. CV-Y3001-S14
SCALE NO SCALE
SHEET NO.



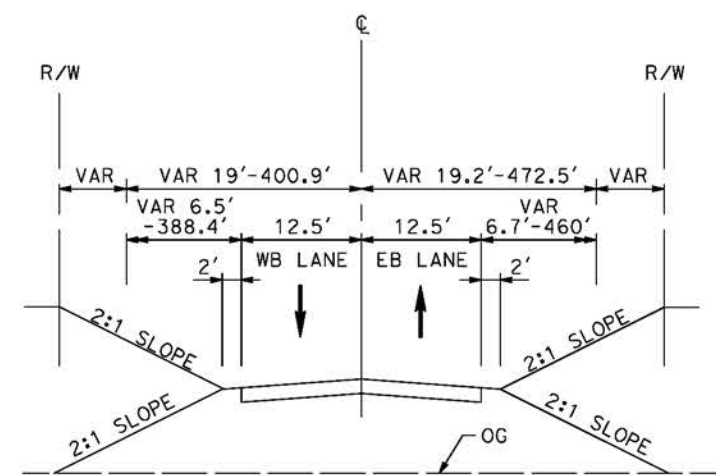
ACCESS ROAD 5
STA 0+00 TO STA 98+40.04



ACCESS ROAD 6B
STA 0+84.41 TO STA 13+53.00



ACCESS ROAD 4
STA 0+00 TO STA 10+53.07



ACCESS ROAD 6A
STA 0+00 TO STA 63+99.16

c:\pwworkingdir\sener-us-pw-bentley.com_sener-us-pw-01\dal\cordoba\dms24258VPB-cv-Y3002-S14.dgn

5/21/2021 2:03:31 AM

cordo

REV	DATE	BY	CHK	APP	DESCRIPTION

DESIGNED BY
J.C. ALAMILLA
DRAWN BY
A. SANZ
CHECKED BY
W. GUO
IN CHARGE
A. RELANO
DATE
04/30/2021

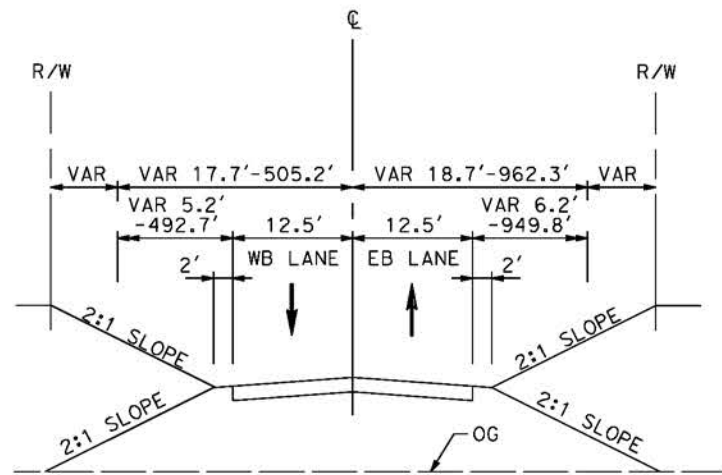
PEPD RECORD SET
REV 02

NOT FOR CONSTRUCTION

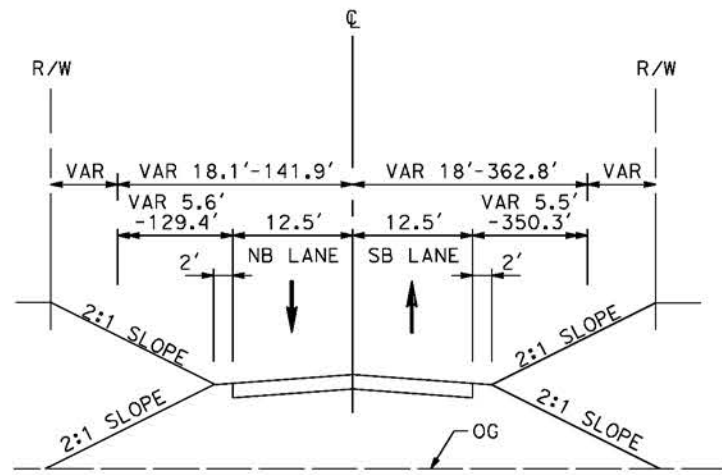


CALIFORNIA HIGH-SPEED RAIL PROJECT
PALMDALE TO BURBANK
ALIGNMENT "REFINED SR14"
TYPICAL SECTIONS
ACCESS ROAD 4, 5, 6A AND 6B

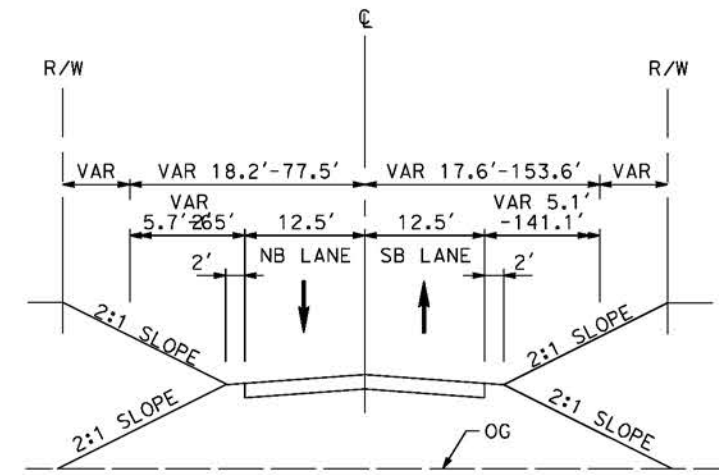
CONTRACT NO. HSR14-42
DRAWING NO. CV-Y3002-S14
SCALE NO SCALE
SHEET NO.



ACCESS ROAD 8
STA 0+00 TO STA 55+61.62



ACCESS ROAD 7
STA 0+00 TO STA 16+79.77



ACCESS ROAD 9
STA 0+00 TO STA 11+37.50

c:\pwworkingdir\sener-us-pw-bentley.com_sener-us-pw-01\dal\cordoba\dms24258VPB-cv-Y3003-S14.dgn

5/21/2021 2:06:04 AM

cordo

REV	DATE	BY	CHK	APP	DESCRIPTION

DESIGNED BY
J.C. ALAMILLA
DRAWN BY
A. SANZ
CHECKED BY
W. GUO
IN CHARGE
A. RELANO
DATE
04/30/2021

PEPD RECORD SET
REV 02
NOT FOR
CONSTRUCTION



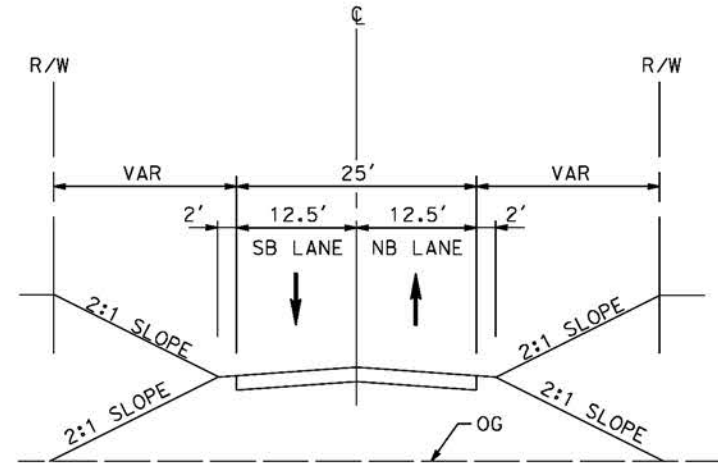
CALIFORNIA HIGH-SPEED RAIL PROJECT
PALMDALE TO BURBANK
ALIGNMENT "REFINED SR14"
TYPICAL SECTIONS
ACCESS ROAD 7, 8 AND 9

CONTRACT NO.
HSR14-42
DRAWING NO.
CV-Y3003-S14
SCALE
NO SCALE
SHEET NO.

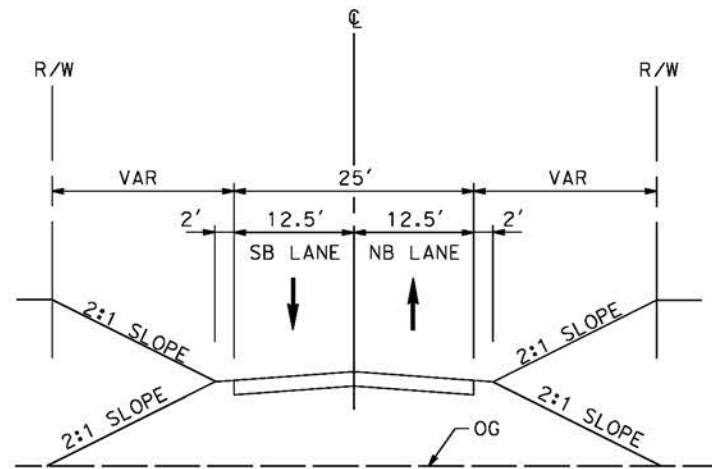
ct:\pwworkingdir\sener-us-pw-bentley.com_sener-us-pw-01\dal\ca\cordoba\dms24258\VPB-CV-Y3004-S14.dgn

5/26/2021 2:47:36 PM

cordo



EAST ADIT ROAD
STA 10+00.00 TO STA 13+17.42



WEST ADIT ROAD
STA 10+18.00 TO STA 13+35.89

REV	DATE	BY	CHK	APP	DESCRIPTION

DESIGNED BY
J.C. ALAMILLA
DRAWN BY
A. SANZ
CHECKED BY
W. GUO
IN CHARGE
A. RELANO
DATE
04/30/2021

**PEPD RECORD SET
REV 02
NOT FOR
CONSTRUCTION**



**CALIFORNIA HIGH-SPEED RAIL PROJECT
PALMDALE TO BURBANK**
ALIGNMENT "REFINED SR14"
TYPICAL SECTIONS
EAST ADIT ROAD AND WEST ADIT ROAD

CONTRACT NO.
HSR14-42
DRAWING NO.
CV-Y3004-S14
SCALE
NO SCALE
SHEET NO.