

California High-Speed Rail Authority

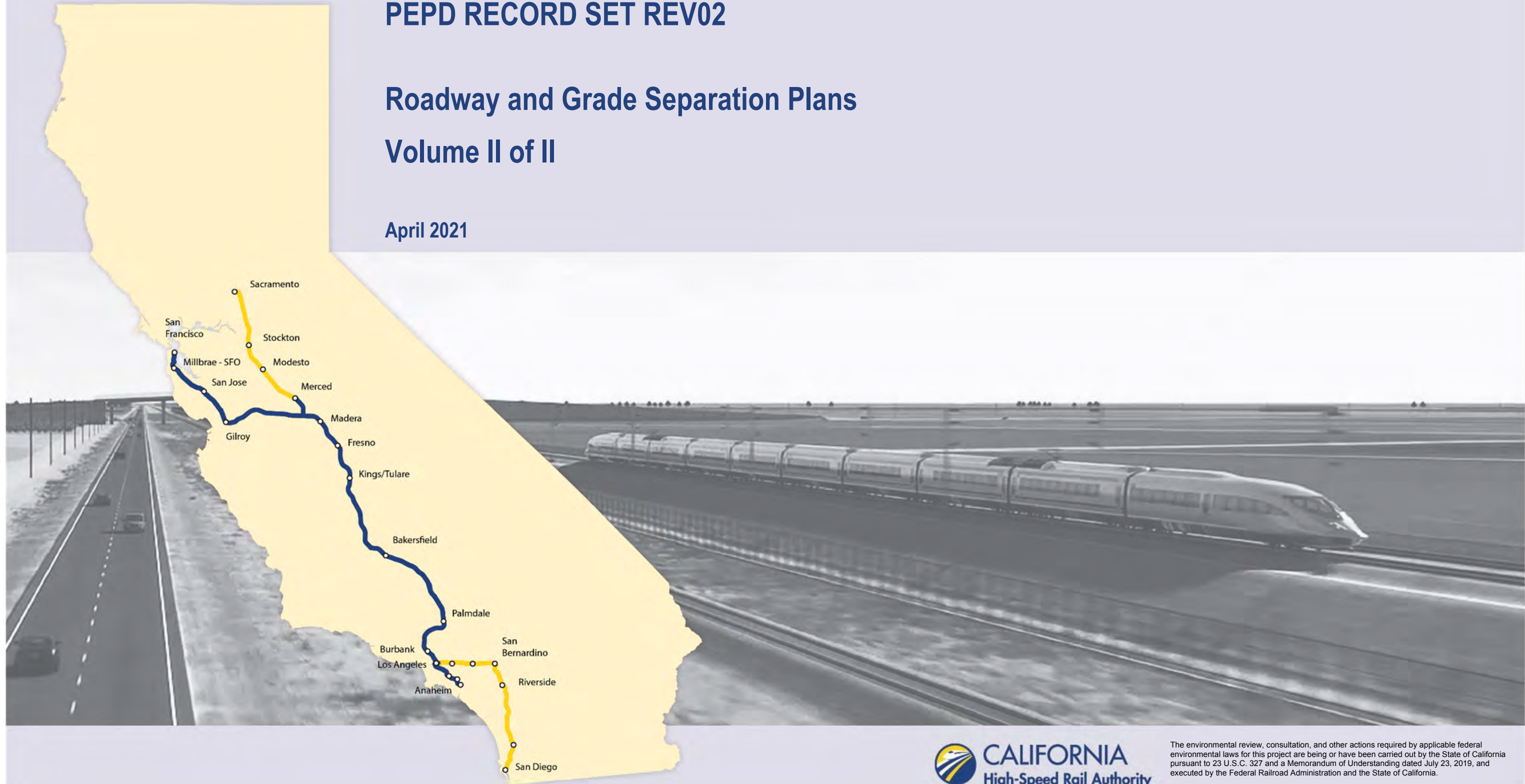
# Palmdale to Burbank Project Section

PEPD RECORD SET REV02

Roadway and Grade Separation Plans

Volume II of II

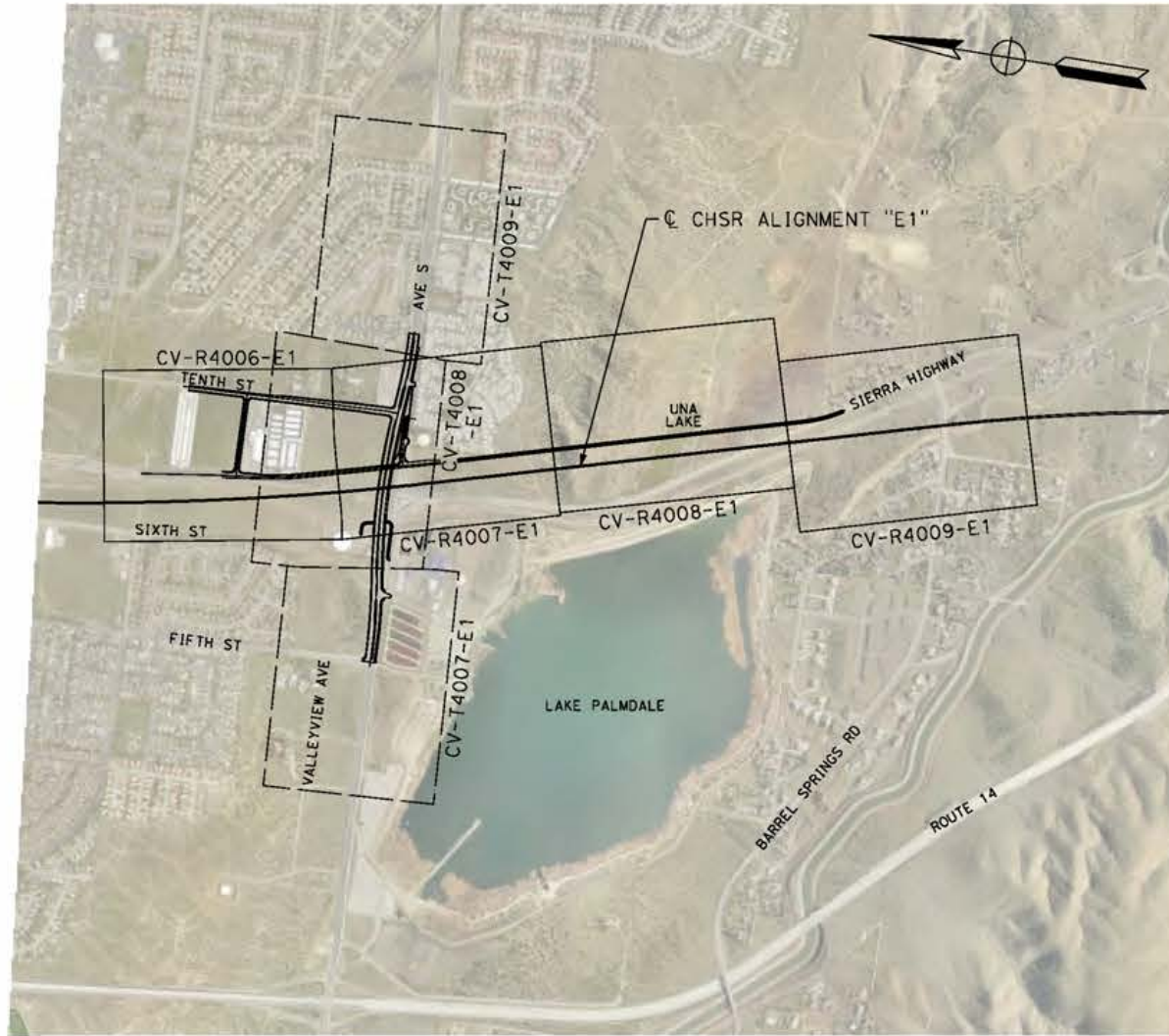
April 2021



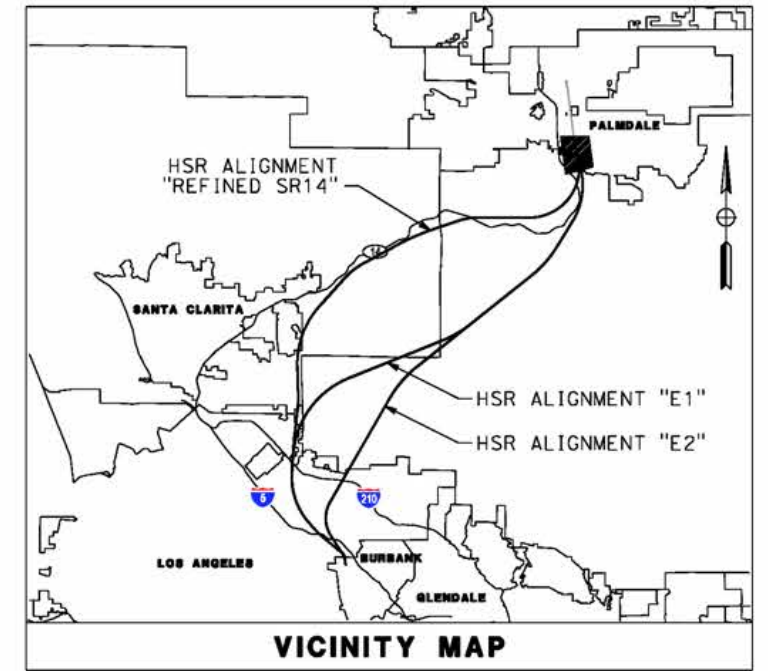
ct:\pwworkingdir\sener-us-pw-bentley.com\_sener-us-pw-01\do\fa\cordoba\dms24259\VPB-CV-B0001-E1.dgn

5/23/2021 9:31:03 PM



cordo



**E1**



LEGEND:

-  ROADWAY PLAN AND ACCESS ROAD PLAN
-  GRADE SEPARATION PLAN



REV	DATE	BY	CHK	APP	DESCRIPTION

DESIGNED BY  
J.C. ALAMILLA  
DRAWN BY  
A. SANZ  
CHECKED BY  
W. GUO  
IN CHARGE  
A. RELANO  
DATE  
04/30/2021

**PEPD RECORD SET  
REV 02  
NOT FOR  
CONSTRUCTION**



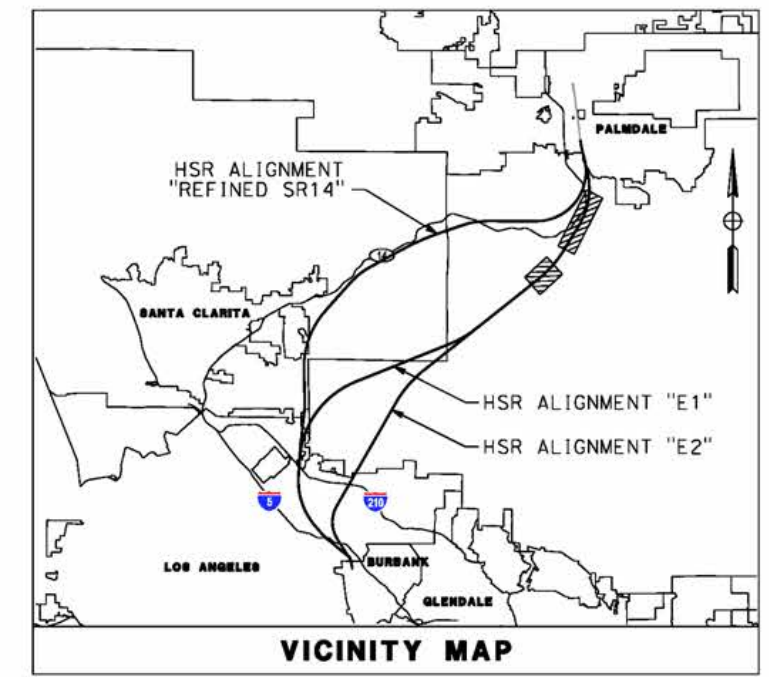
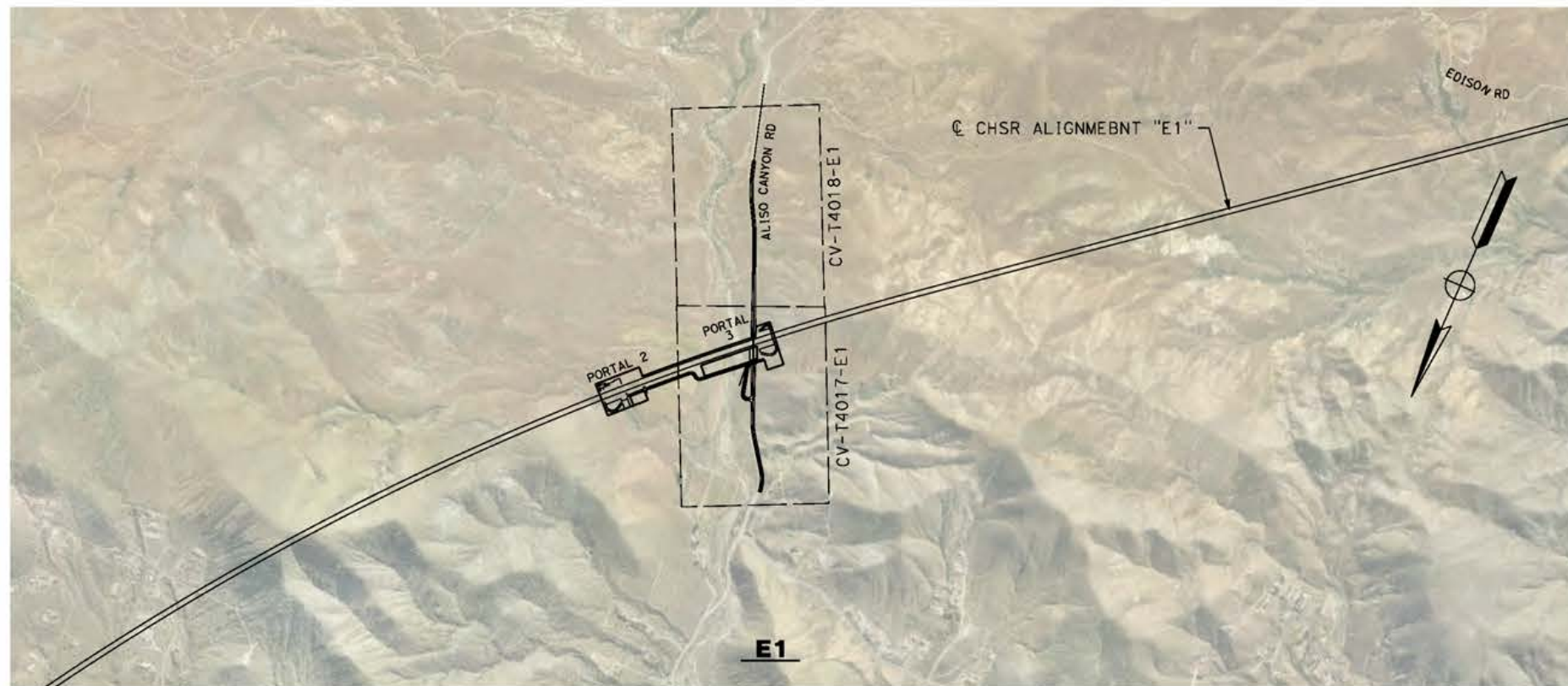
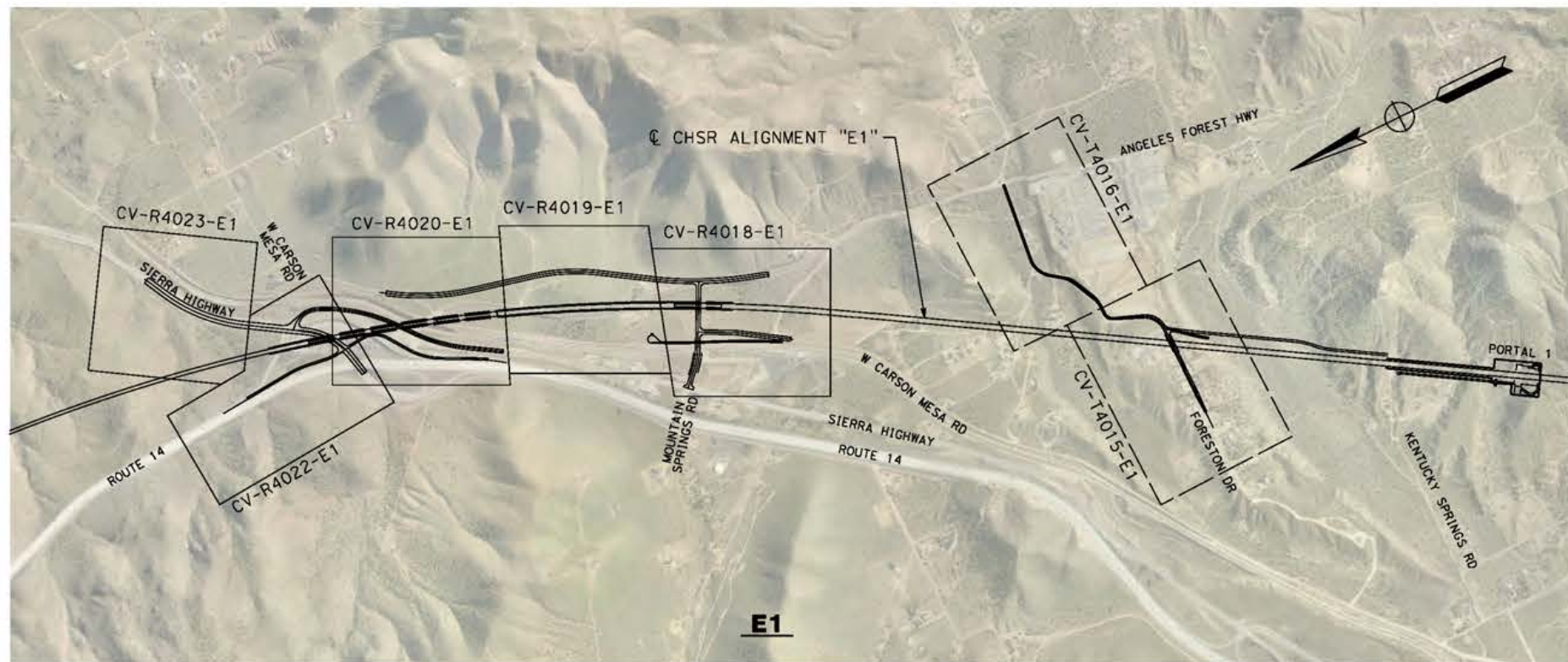
**CALIFORNIA HIGH-SPEED RAIL PROJECT  
PALMDALE TO BURBANK**  
ALIGNMENT "E1"  
ROADWAY AND GRADE SEPARATION PLAN  
KEY MAP  
SHEET 1 OF 4

CONTRACT NO.  
HSR14-42  
DRAWING NO.  
CV-B0001-E1  
SCALE  
AS SHOWN  
SHEET NO.

ct:\pwworkingdir\sener-us-pw-bentley.com\_sener-us-pw-01\dalio.cordoba\dms24259VPB-CV-B0002-E1.dgn

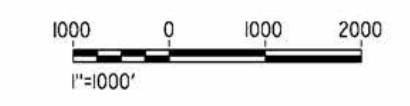
5/23/2021 9:34:49 PM

cordo



**LEGEND:**

- ROADWAY PLAN AND ACCESS ROAD PLAN
- GRADE SEPARATION PLAN



REV	DATE	BY	CHK	APP	DESCRIPTION

DESIGNED BY  
J.C. ALAMILLA  
DRAWN BY  
A. SANZ  
CHECKED BY  
W. GUO  
IN CHARGE  
A. RELANO  
DATE  
04/30/2021

**PEPD RECORD SET  
REV 02  
NOT FOR  
CONSTRUCTION**



**CALIFORNIA HIGH-SPEED RAIL PROJECT  
PALMDALE TO BURBANK**  
ALIGNMENT "E1"  
ROADWAY AND GRADE SEPARATION PLAN  
KEY MAP  
SHEET 2 OF 4

CONTRACT NO.  
HSR14-42  
DRAWING NO.  
CV-B0002-E1  
SCALE  
AS SHOWN  
SHEET NO.

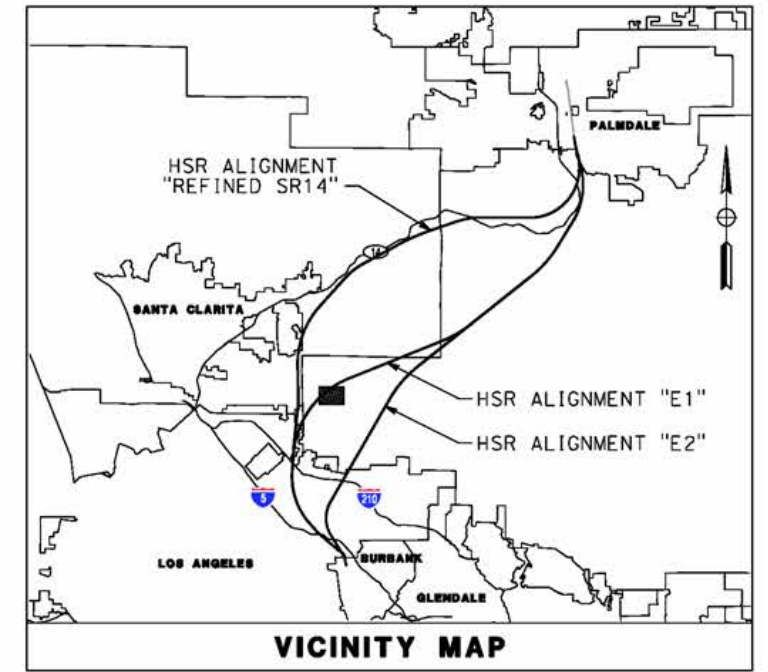
c:\pwworkingdir\sener-us-pw-bentley.com\_sener-us-pw-01\dalio.cordoba\dms24259VPB-CV-B0003-E1.dgn

5/23/2021 9:38:40 PM



cordo



**E1**



**LEGEND:**

-  ROADWAY PLAN AND ACCESS ROAD PLAN
-  GRADE SEPARATION PLAN



REV	DATE	BY	CHK	APP	DESCRIPTION

DESIGNED BY  
J.C. ALAMILLA  
DRAWN BY  
A. SANZ  
CHECKED BY  
W. GUO  
IN CHARGE  
A. RELANO  
DATE  
04/30/2021

**PEPD RECORD SET  
REV 02  
  
NOT FOR  
CONSTRUCTION**



**CALIFORNIA HIGH-SPEED RAIL PROJECT  
PALMDALE TO BURBANK**  
ALIGNMENT "E1"  
ROADWAY AND GRADE SEPARATION PLAN  
KEY MAP  
SHEET 3 OF 4



CONTRACT NO.  
HSR14-42  
DRAWING NO.  
CV-B0003-E1  
SCALE  
AS SHOWN  
SHEET NO.

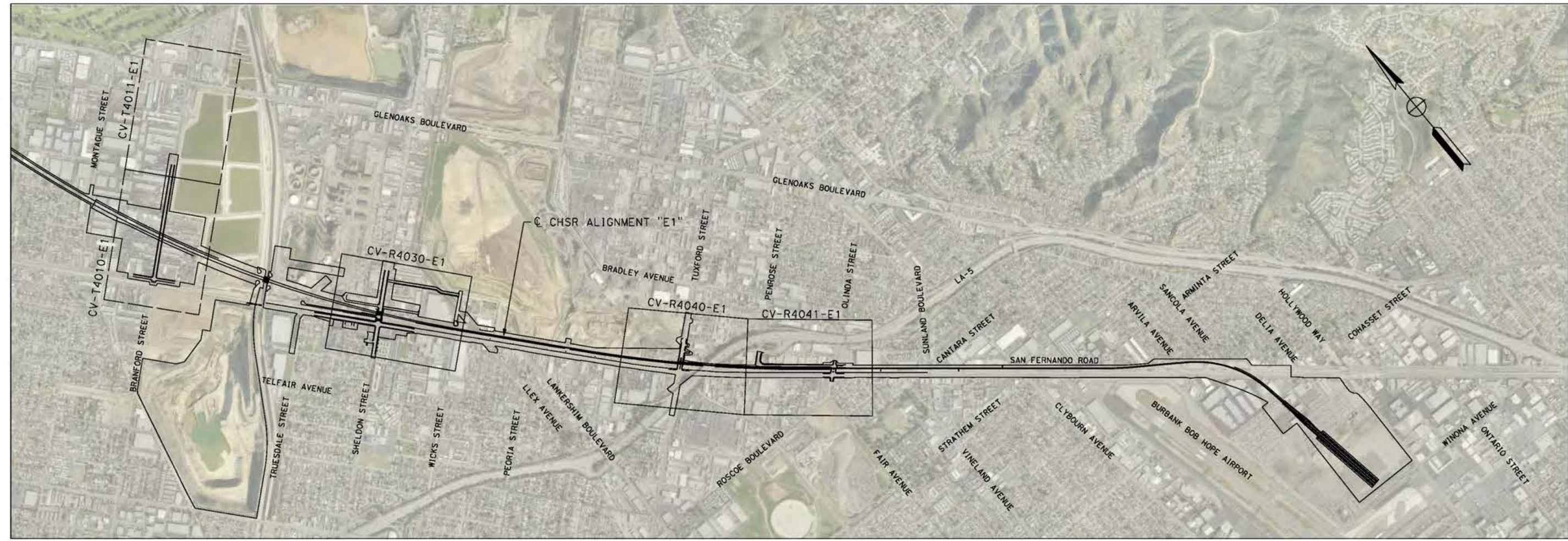
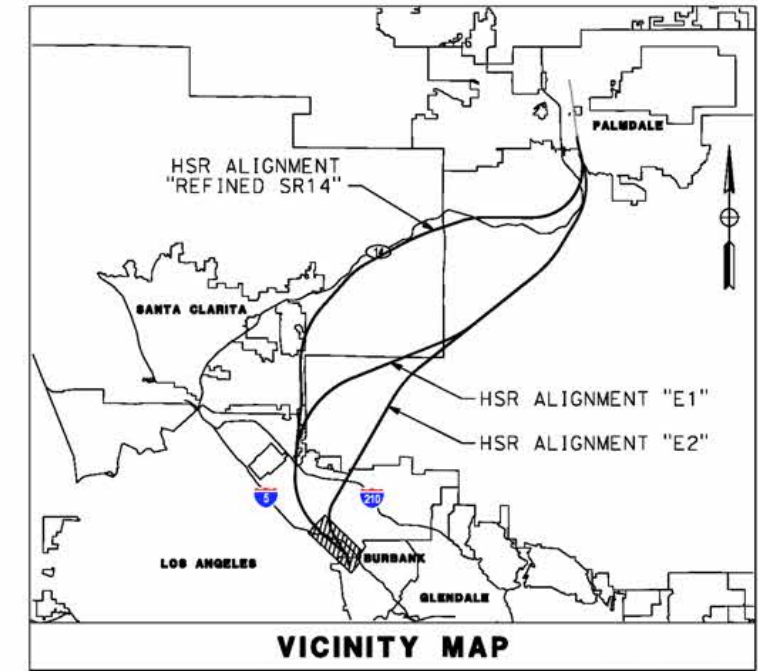
ct:\pwork\kingdir\sener-us-pw-bentley.com\_sener-us-pw-01\dalto.cordoba\dms24259\VPB-CV-B0004-E1.dgn

5/23/2021 9:41:59 PM

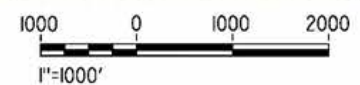
cordo

**LEGEND:**

-  ROADWAY PLAN
-  GRADE SEPARATION PLAN



**E1**



REV	DATE	BY	CHK	APP	DESCRIPTION

DESIGNED BY  
J.C. ALAMILLA

DRAWN BY  
A. SANZ

CHECKED BY  
W. GUO

IN CHARGE  
A. RELANO

DATE  
04/30/2021

**PEPD RECORD SET  
REV 02  
NOT FOR  
CONSTRUCTION**



**CALIFORNIA HIGH-SPEED RAIL PROJECT  
PALMDALE TO BURBANK**

ALIGNMENT "E1"  
ROADWAY AND GRADE SEPARATION PLAN  
KEY MAP  
SHEET 4 OF 4

CONTRACT NO.  
HSR14-42

DRAWING NO.  
CV-B0004-E1

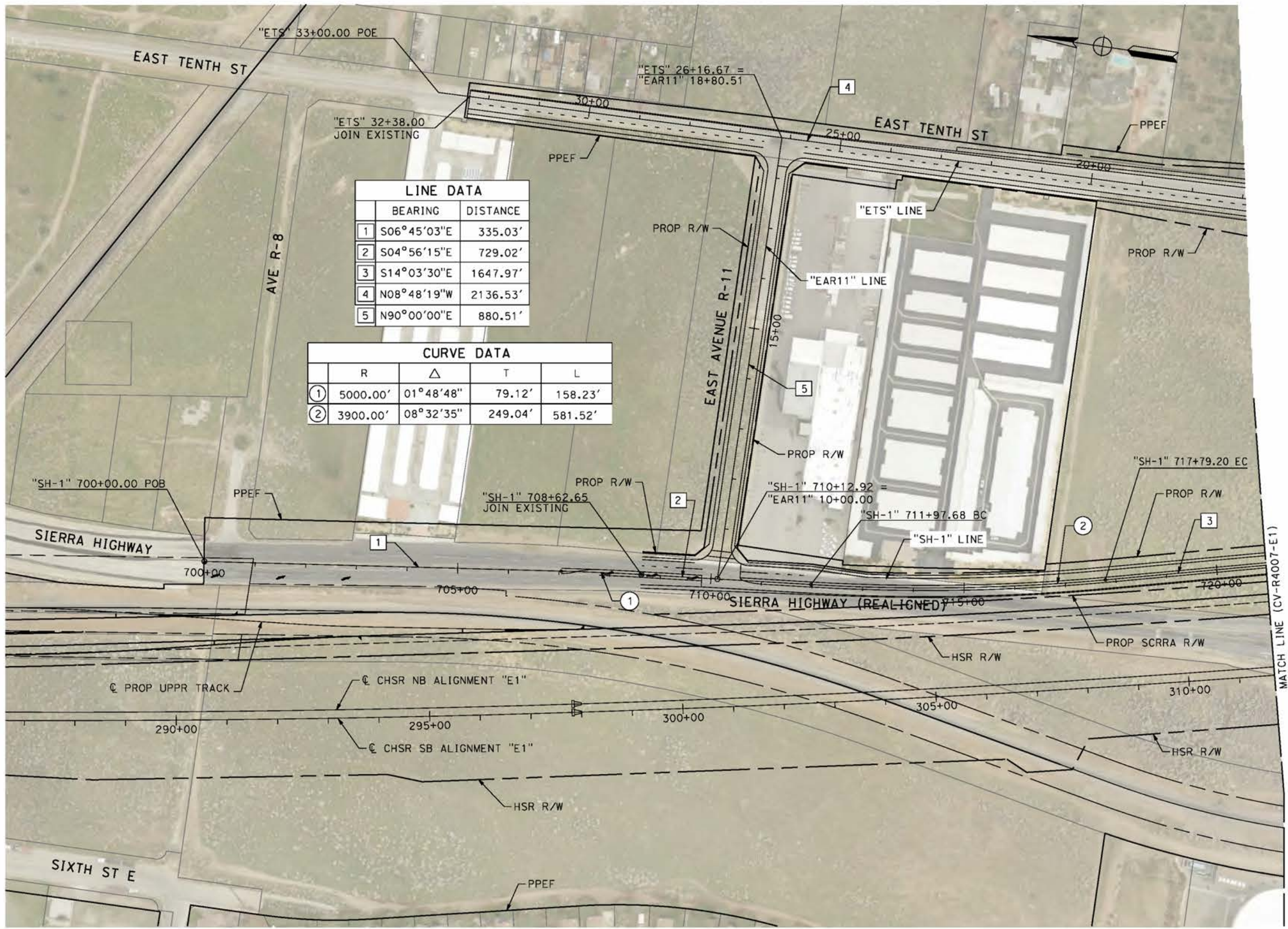
SCALE  
AS SHOWN

SHEET NO.

ct:\pwworkingdir\sener-us-pw-bentley.com\_sener-us-pw-01\dalio.cordoba\dms24259VPB-CV-R4006-E1.dgn

5/9/2021 6:03:43 AM

cordo



LINE DATA		
	BEARING	DISTANCE
1	S06°45'03"E	335.03'
2	S04°56'15"E	729.02'
3	S14°03'30"E	1647.97'
4	N08°48'19"W	2136.53'
5	N90°00'00"E	880.51'

CURVE DATA				
	R	Δ	T	L
①	5000.00'	01°48'48"	79.12'	158.23'
②	3900.00'	08°32'35"	249.04'	581.52'



REV	DATE	BY	CHK	APP	DESCRIPTION

DESIGNED BY  
**J.C. ALAMILLA**  
DRAWN BY  
**A. SANZ**  
CHECKED BY  
**W. GUO**  
IN CHARGE  
**A. RELANO**  
DATE  
**04/30/2021**

**PEPD RECORD SET**  
REV 02  
**NOT FOR CONSTRUCTION**



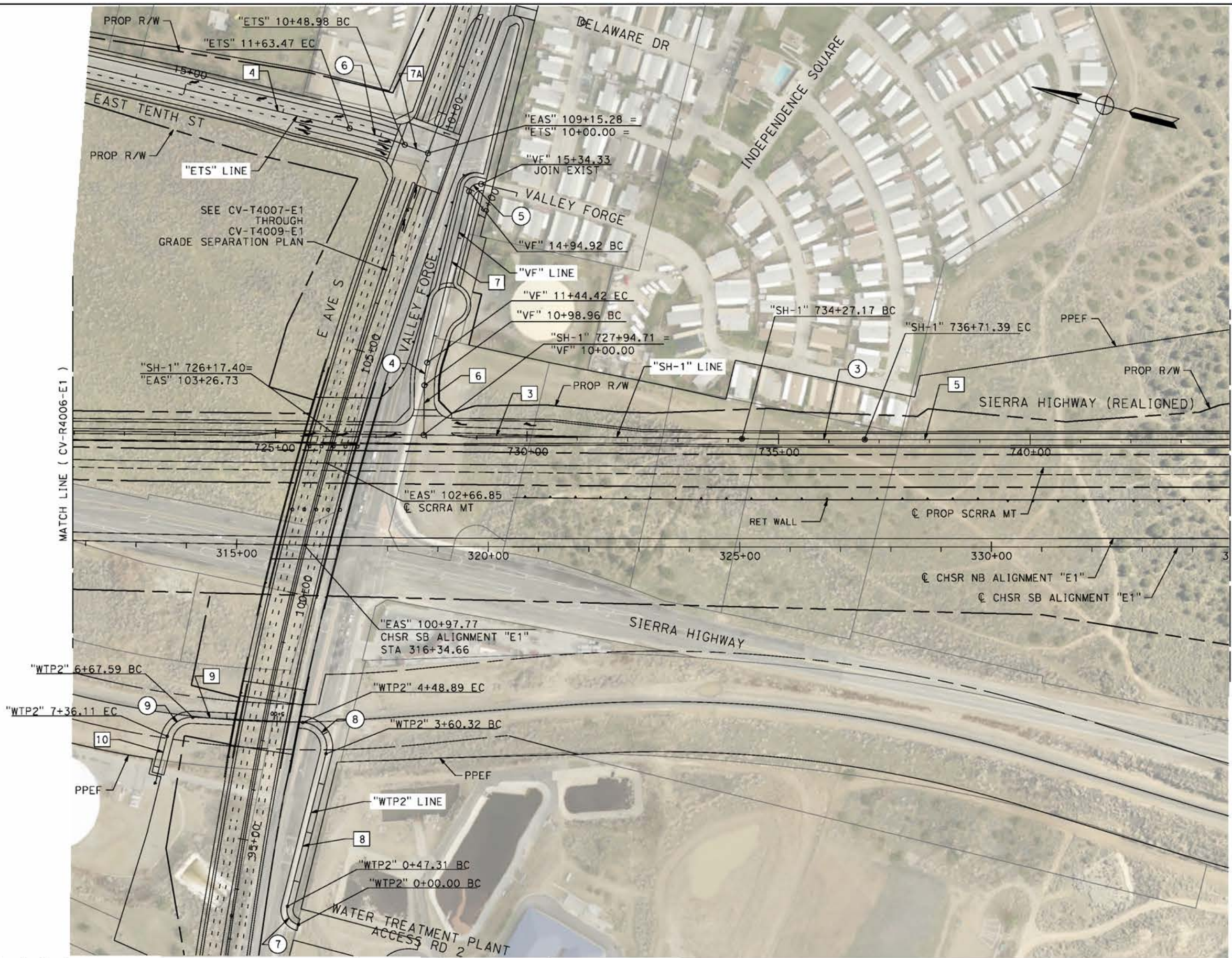
**CALIFORNIA HIGH-SPEED RAIL PROJECT**  
**PALMDALE TO BURBANK**  
ALIGNMENT "E1"  
ROADWAY PLAN  
SIERRA HIGHWAY "SH-1"  
SHEET 1 OF 4

CONTRACT NO.  
HSR14-42  
DRAWING NO.  
CV-R4006-E1  
SCALE  
AS SHOWN  
SHEET NO.

ct:\pwworkingdir\sener-us-pw-bentley.com\_sener-us-pw-01\dal\cordoba\dms24259vfb-cv-r4007-e1.dgn

5/27/2021 7:10:51 AM

cordo



LINE DATA		
	BEARING	DISTANCE
3	S13°28'51"E	1647.97'
4	N0°48'19"W	2136.53'
5	S14°10'49"E	3404.81'
6	N76°31'09"E	98.96'
7	N89°32'35"E	350.5'
7A	N05°45'15"E	48.98'
8	S90°00'00"E	313.01'
9	N11°29'20"W	218.71'
10	N90°00'00"W	81.31'

CURVE DATA				
	R	Δ	T	L
3	2000.00'	00°41'59"	122.11'	244.21'
4	200.00'	13°01'26"	22.83'	45.46'
5	20.00'	90°00'00"	20.00'	31.42'
6	1000.00'	06°33'34"	57.30'	114.48'
7	30.00'	90°21'40"	30.19'	47.13'
8	50.00'	01°29'20"	61.18'	88.56'
9	50.00'	78°30'39"	40.86'	114.48'



REV	DATE	BY	CHK	APP	DESCRIPTION

DESIGNED BY  
J.C. ALAMILLA  
DRAWN BY  
A. SANZ  
CHECKED BY  
W. GUO  
IN CHARGE  
A. RELANO  
DATE  
04/30/2021

**PEPD RECORD SET**  
REV 02  
**NOT FOR CONSTRUCTION**



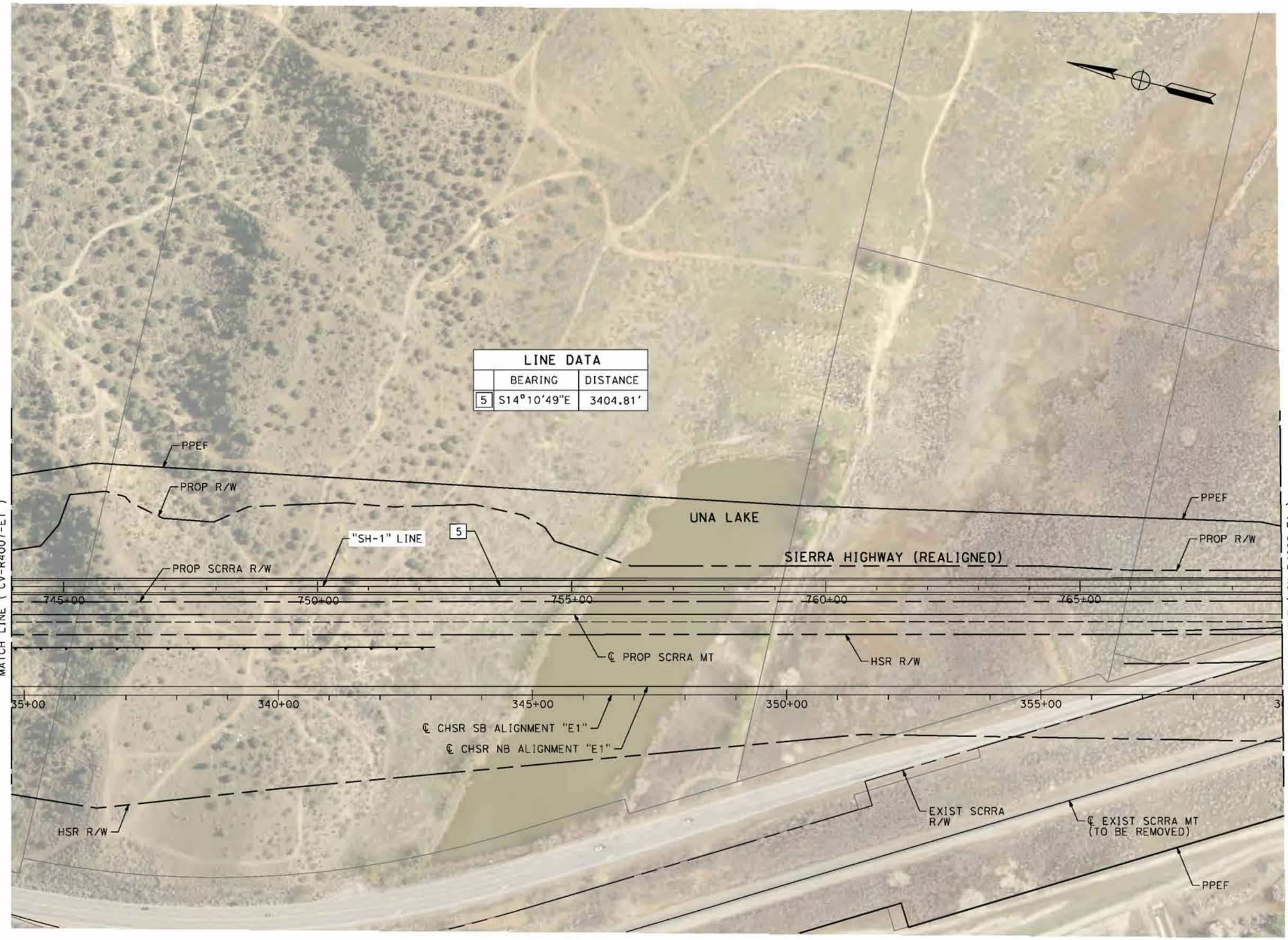
**CALIFORNIA HIGH-SPEED RAIL PROJECT**  
**PALMDALE TO BURBANK**  
ALIGNMENT "E1"  
ROADWAY PLAN  
SIERRA HIGHWAY "SH-1" AND WATER TREATMENT PLANT  
ACCESS RD 2 - SHEET 2 OF 4

CONTRACT NO.  
HSR14-42  
DRAWING NO.  
CV-R4007-E1  
SCALE  
AS SHOWN  
SHEET NO.

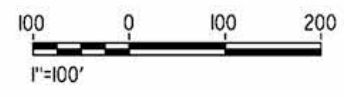
ct:\pwworkingdir\sener-us-pw-bentley.com\_sener-us-pw-01\dalio.cordoba\dms24259VPB-CV-R4008-E1.dgn

5/9/2021 6:43:21 AM

cordo



LINE DATA	
BEARING	DISTANCE
5 S14°10'49"E	3404.81'



REV	DATE	BY	CHK	APP	DESCRIPTION

DESIGNED BY  
**J.C. ALAMILLA**  
DRAWN BY  
**A. SANZ**  
CHECKED BY  
**W. GUO**  
IN CHARGE  
**A. RELANO**  
DATE  
**04/30/2021**

**PEPD RECORD SET**  
REV 02  
**NOT FOR CONSTRUCTION**



**CALIFORNIA HIGH-SPEED RAIL PROJECT**  
**PALMDALE TO BURBANK**  
ALIGNMENT "E1"  
ROADWAY PLAN  
SIERRA HIGHWAY "SH-1"  
SHEET 3 OF 4

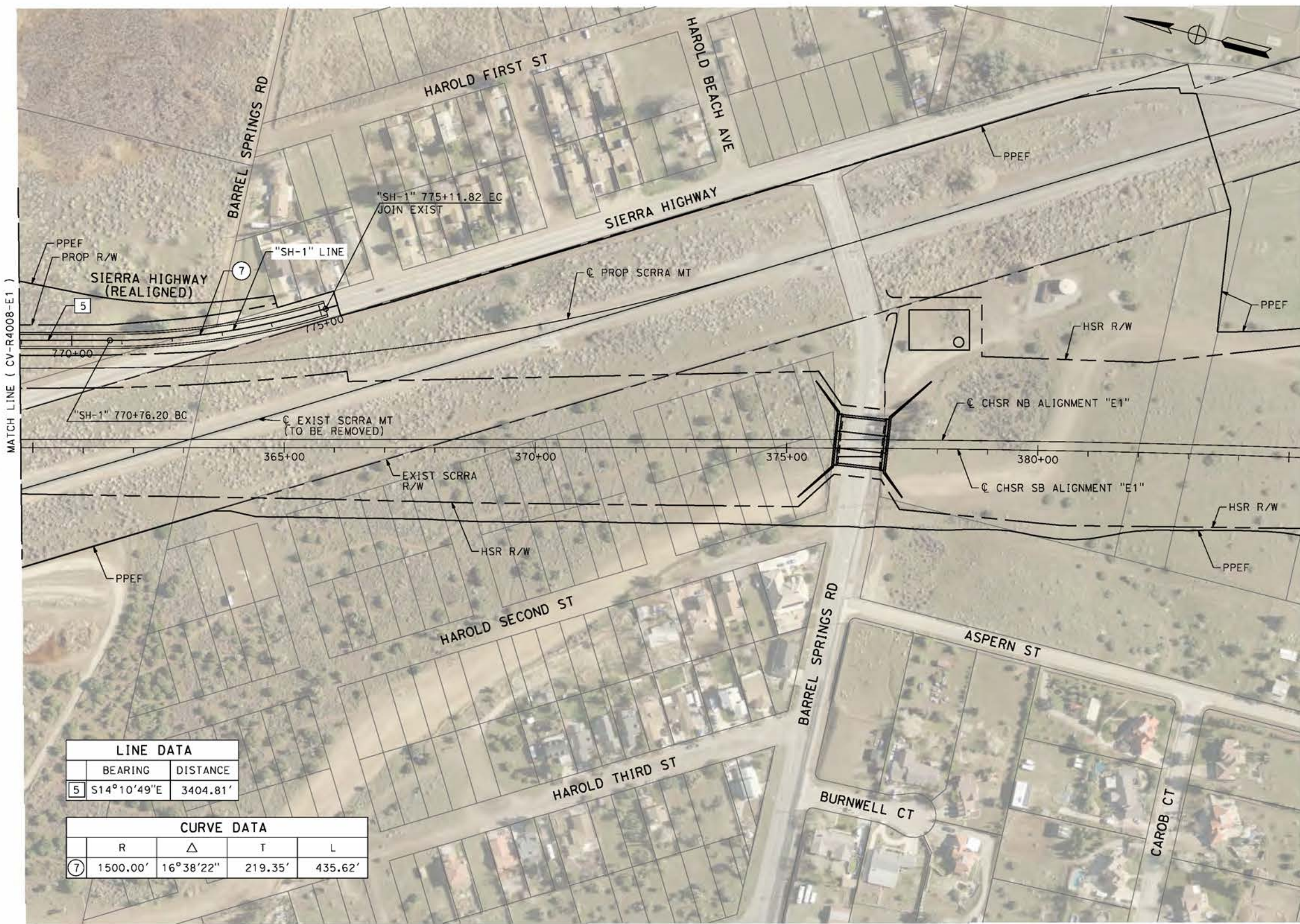
CONTRACT NO.  
HSR14-42  
DRAWING NO.  
CV-R4008-E1  
SCALE  
AS SHOWN  
SHEET NO.



ct:\pwworkingdir\sener-us-pw-bentley.com\_sener-us-pw-01\dalfo.cordoba\dms24259VPB-CV-R4009-E1.dgn

5/9/2021 6:51:12 AM

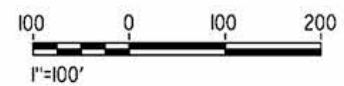
cordo



LINE DATA	
BEARING	DISTANCE
5 S14°10'49"E	3404.81'

CURVE DATA			
R	Δ	T	L
7 1500.00'	16°38'22"	219.35'	435.62'



REV	DATE	BY	CHK	APP	DESCRIPTION

DESIGNED BY  
**J.C. ALAMILLA**

DRAWN BY  
**A. SANZ**

CHECKED BY  
**W. GUO**

IN CHARGE  
**A. RELANO**

DATE  
**04/30/2021**

**PEPD RECORD SET**  
REV 02

**NOT FOR CONSTRUCTION**



**CALIFORNIA HIGH-SPEED RAIL PROJECT**  
**PALMDALE TO BURBANK**

ALIGNMENT "E1"  
ROADWAY PLAN  
SIERRA HIGHWAY "SH-1"  
SHEET 4 OF 4

CONTRACT NO.  
HSR14-42

DRAWING NO.  
CV-R4009-E1

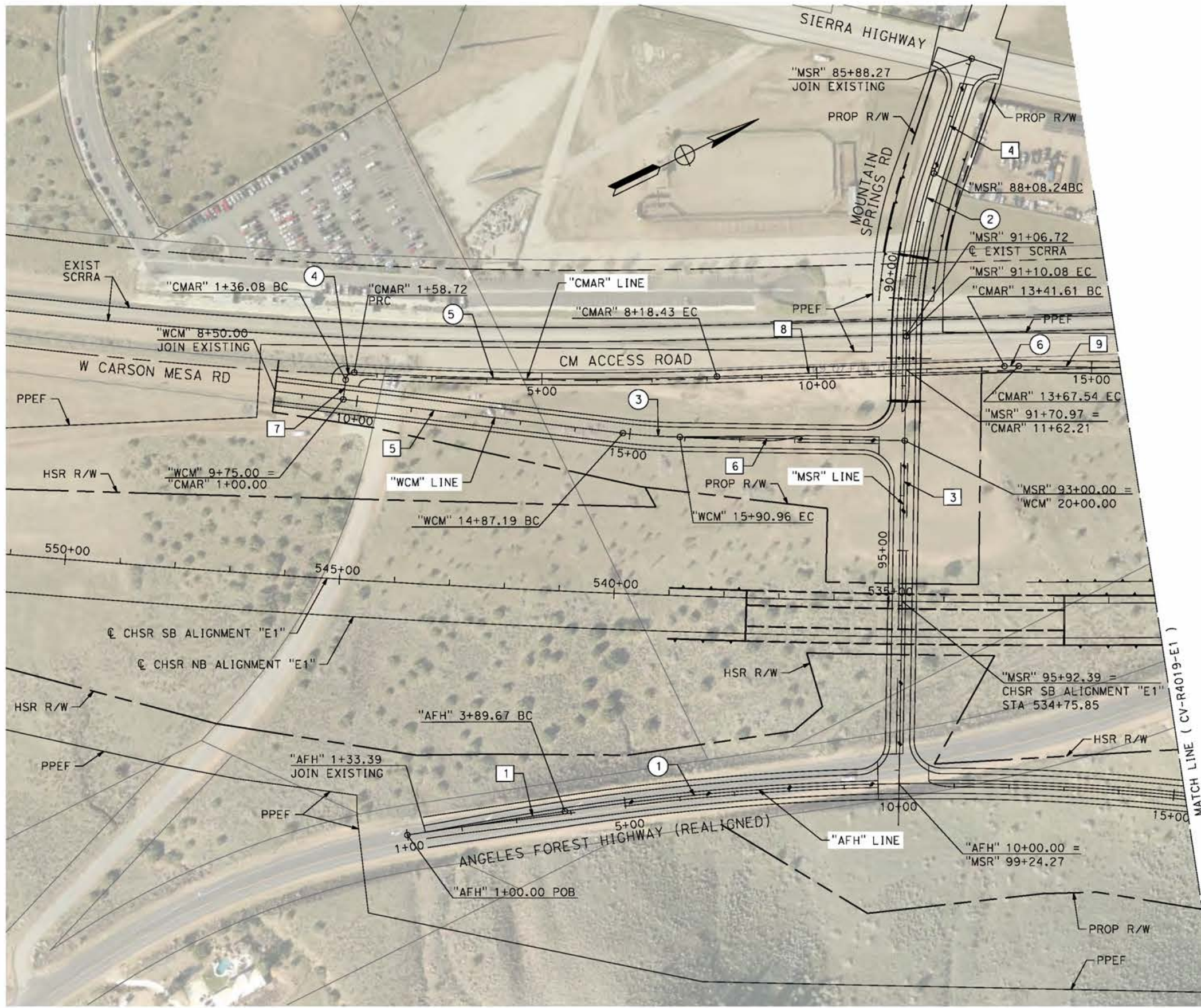
SCALE  
AS SHOWN

SHEET NO.

ct:\pwworkingdir\sener-us-pw-bentley.com\_sener-us-pw-01\dal\to.cordoba\dms24259vfb-cv-r4018-e1.dgn

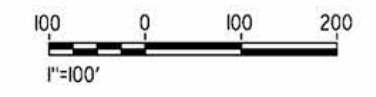
5/25/2021 8:34:12 PM

cordo



LINE DATA		
	BEARING	DISTANCE
1	N17°29'36"E	256.29'
3	S62°58'16"E	814.19'
4	S45°40'37"E	219.97'
5	N32°58'29"E	664.55'
6	N27°01'44"E	409.04'
7	N57°01'31"W	36.08'
8	N24°02'23"E	523.18'
9	N27°01'44"E	360.52'

CURVE DATA				
	R	Δ	T	L
①	4500.00'	15°15'24"	602.75'	1198.37'
②	1000.00'	17°17'39"	152.08'	301.84'
③	1000.00'	05°56'46"	51.94'	103.78'
④	15.00'	86°27'45"	14.10'	22.64'
⑤	7003.00'	05°23'51"	330.10'	659.71'
⑥	497.00'	2°59'20"	12.97'	25.93'



REV	DATE	BY	CHK	APP	DESCRIPTION

DESIGNED BY  
J.C. ALAMILLA  
DRAWN BY  
A. SANZ  
CHECKED BY  
W. GUO  
IN CHARGE  
A. RELANO  
DATE  
04/30/2021

**PEPD RECORD SET**  
REV 02  
**NOT FOR CONSTRUCTION**



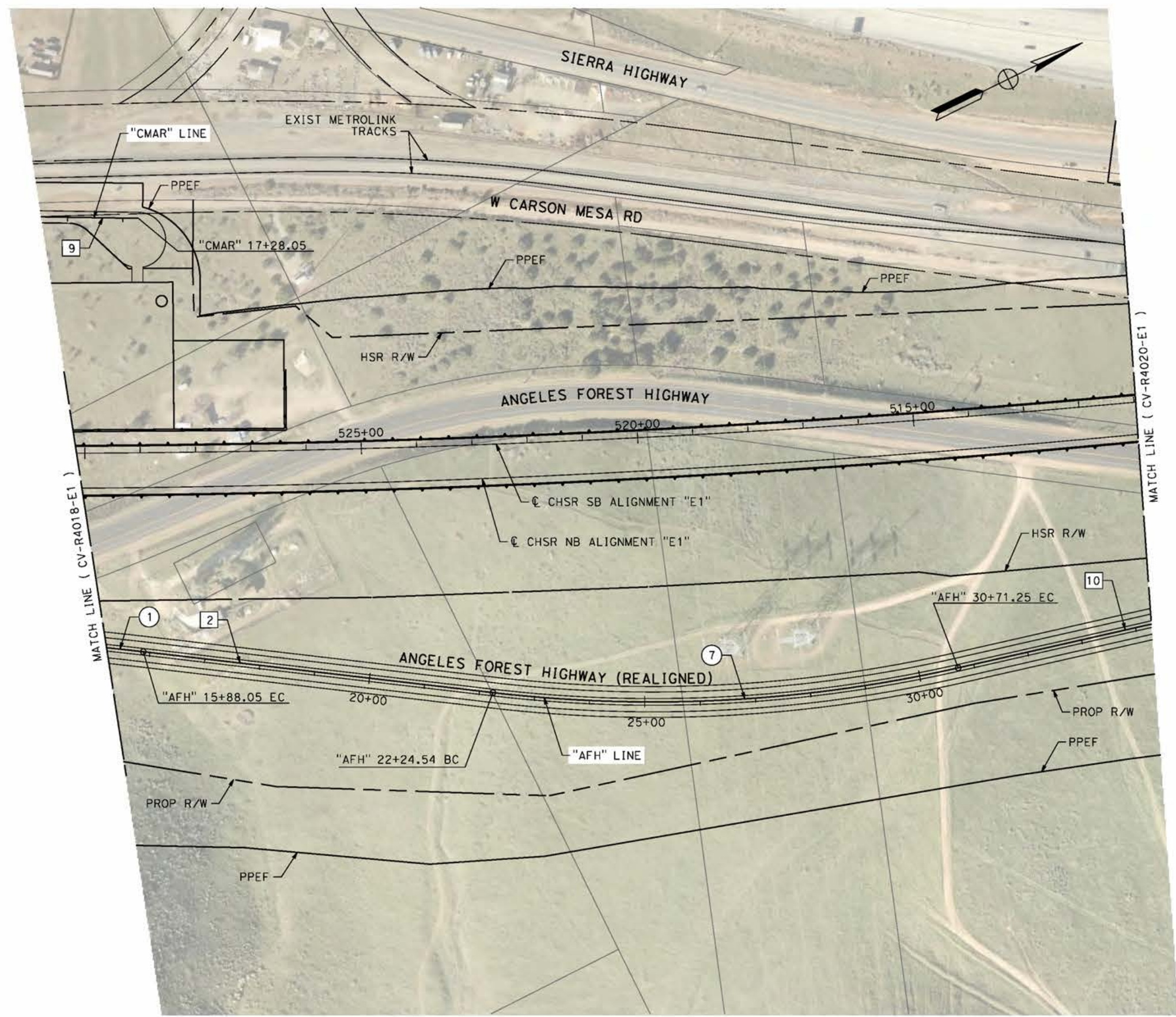
**CALIFORNIA HIGH-SPEED RAIL PROJECT**  
**PALMDALE TO BURBANK**  
ALIGNMENT "E1"  
ROADWAY PLAN  
ANGELES FOREST HIGHWAY, W CARSON MESA ROAD  
AND MOUNTAIN SPRINGS ROAD

CONTRACT NO.  
HSR14-42  
DRAWING NO.  
CV-R4018-E1  
SCALE  
AS SHOWN  
SHEET NO.

ci:\pwworkingdir\sener-us-pw-bentley.com\_sener-us-pw-01\dalio.cordoba\dms24259\VPB-CV-R4019-E1.dgn

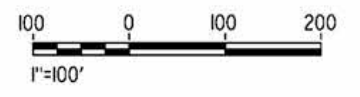
5/9/2021 7:34:37 AM

cordo



LINE DATA		
	BEARING	DISTANCE
2	N32°45'05"E	636.49'
9	N27°01'44"E	360.52'
10	N13°20'47"E	731.75'

CURVE DATA				
	R	Δ	T	L
1	4500.00'	15°15'29"	602.75'	1198.37"
7	2500.00'	19°24'18"	427.45'	846.71'



REV	DATE	BY	CHK	APP	DESCRIPTION

DESIGNED BY  
J.C. ALAMILLA  
DRAWN BY  
A. SANZ  
CHECKED BY  
W. GUO  
IN CHARGE  
A. RELANO  
DATE  
04/30/2021

PEPD RECORD SET  
REV 02  
  
NOT FOR  
CONSTRUCTION



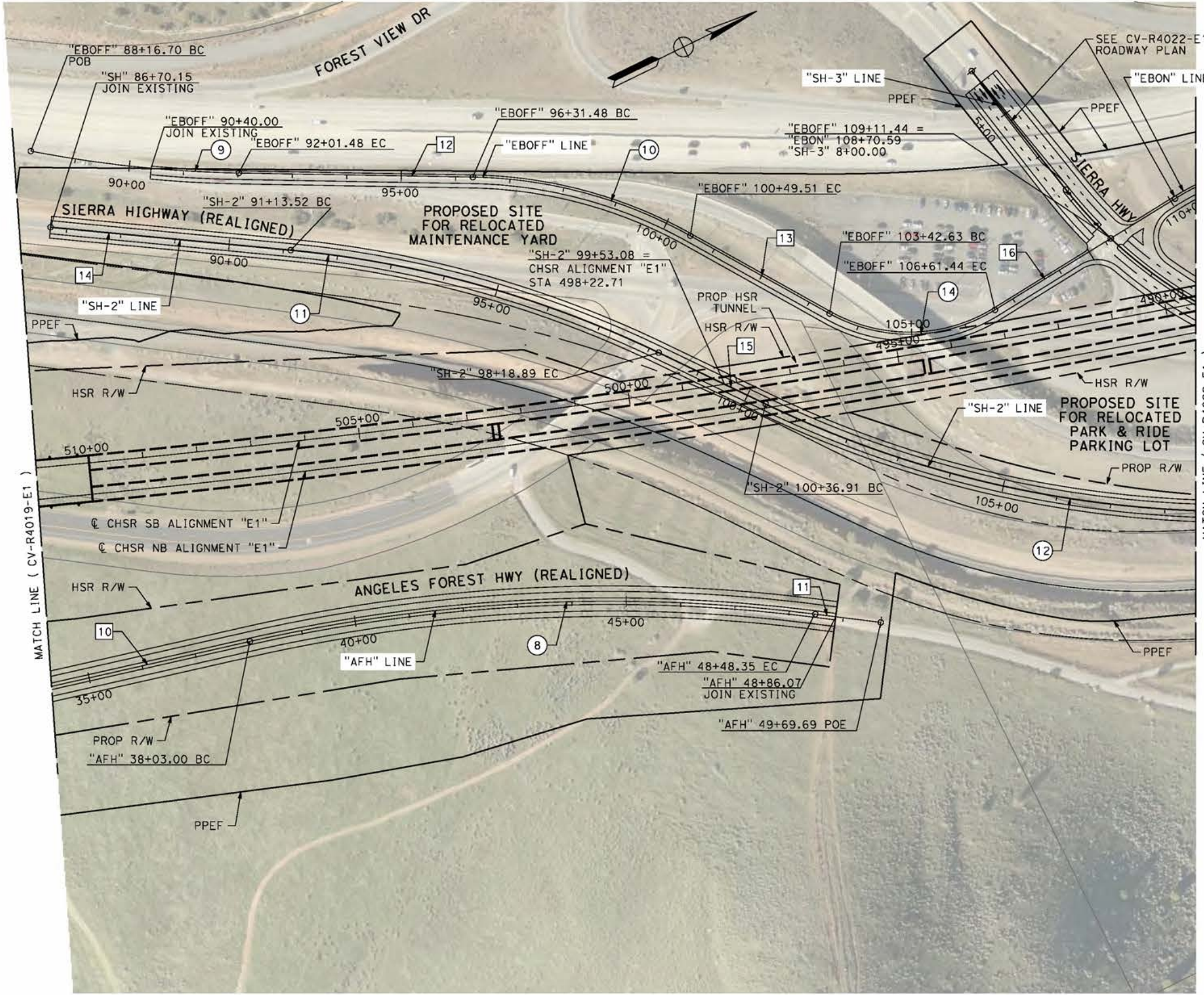
**CALIFORNIA HIGH-SPEED RAIL PROJECT**  
**PALMDALE TO BURBANK**  
ALIGNMENT "E1"  
ROADWAY PLAN  
ANGELES FOREST HIGHWAY

CONTRACT NO.  
HSR14-42  
DRAWING NO.  
CV-R4019-E1  
SCALE  
AS SHOWN  
SHEET NO.

ct:\pwworkingdir\sener-us-pw-bentley.com\_sener-us-pw-01\dal\cordoba\dms24259\VPB-CV-R4020-E1.dgn

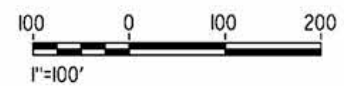
5/9/2021 7:29:04 AM

cordo



LINE DATA		
	BEARING	DISTANCE
10	N13°20'47"E	731.75'
11	S33°18'40"E	121.14'
12	N27°05'44"E	430.00'
13	N55°16'24"E	293.12'
14	N31°32'53"E	443.36'
15	N51°45'19"E	218.02'
16	N05°36'55"W	250.00'

CURVE DATA				
	R	Δ	T	L
8	3000.00'	19°57'53"	528.03'	1045.35'
9	2200.00'	10°01'16"	192.88'	384.78'
10	850.00'	28°10'40"	213.33'	418.03'
11	2000.00'	20°12'27"	356.39'	705.37'
12	2000.00'	29°08'56"	520.01'	1017.49'
14	300.00'	60°53'19"	176.32'	318.81'



REV	DATE	BY	CHK	APP	DESCRIPTION

DESIGNED BY  
**J.C. ALAMILLA**  
DRAWN BY  
**A. SANZ**  
CHECKED BY  
**W. GUO**  
IN CHARGE  
**A. RELANO**  
DATE  
**04/30/2021**

**PEPD RECORD SET**  
REV 02  
**NOT FOR CONSTRUCTION**



**CALIFORNIA HIGH-SPEED RAIL PROJECT**  
**PALMDALE TO BURBANK**  
ALIGNMENT "E1"  
ROADWAY PLAN  
ANGELES FOREST HIGHWAY AND ROUTE 14 EB OFF-RAMP

CONTRACT NO.  
HSR14-42  
DRAWING NO.  
CV-R4020-E1  
SCALE  
AS SHOWN  
SHEET NO.

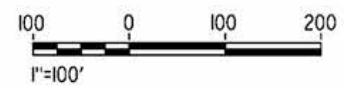
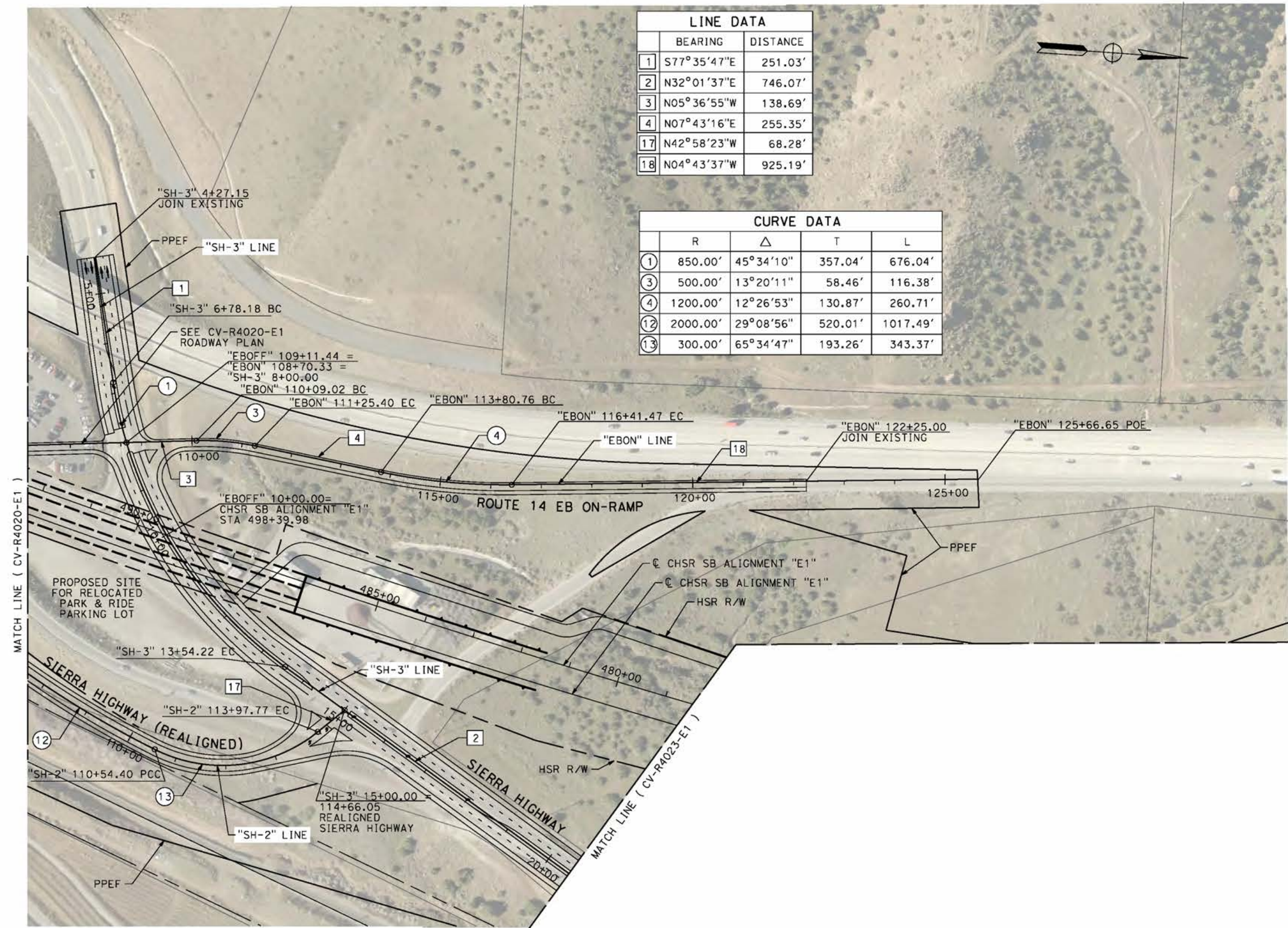
ct:\pwworkingdir\sener-us-pw-bentley.com\_sener-us-pw-01\dalfo.cordoba\dms24259\VPB-CV-R4022-E1.dgn

5/9/2021 7:47:26 AM

cordo

LINE DATA		
	BEARING	DISTANCE
1	S77°35'47"E	251.03'
2	N32°01'37"E	746.07'
3	N05°36'55"W	138.69'
4	N07°43'16"E	255.35'
17	N42°58'23"W	68.28'
18	N04°43'37"W	925.19'

CURVE DATA				
	R	Δ	T	L
1	850.00'	45°34'10"	357.04'	676.04'
3	500.00'	13°20'11"	58.46'	116.38'
4	1200.00'	12°26'53"	130.87'	260.71'
12	2000.00'	29°08'56"	520.01'	1017.49'
13	300.00'	65°34'47"	193.26'	343.37'



REV	DATE	BY	CHK	APP	DESCRIPTION

DESIGNED BY  
**J.C. ALAMILLA**  
DRAWN BY  
**A. SANZ**  
CHECKED BY  
**W. GUO**  
IN CHARGE  
**A. RELANO**  
DATE  
**04/30/2021**

**PEPD RECORD SET**  
REV 02  
**NOT FOR CONSTRUCTION**



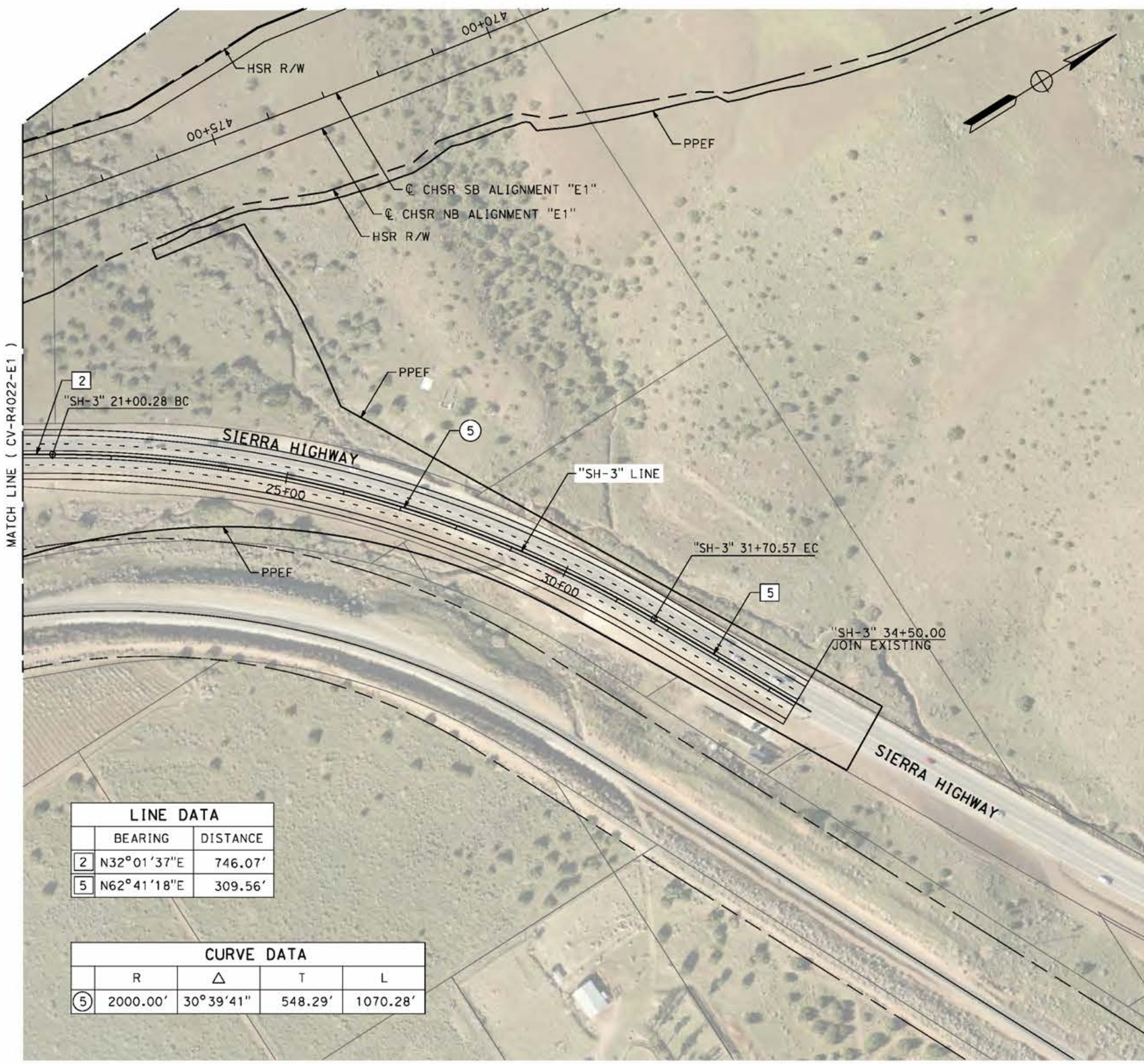
**CALIFORNIA HIGH-SPEED RAIL PROJECT**  
**PALMDALE TO BURBANK**  
ALIGNMENT "E1"  
ROADWAY PLAN  
SIERRA HIGHWAY "SH-2" AND ROUTE 14 EB ON-RAMP

CONTRACT NO.  
HSR14-42  
DRAWING NO.  
CV-R4022-E1  
SCALE  
AS SHOWN  
SHEET NO.

ct:\pwworkingdir\sener-us-pw-bentley.com\_sener-us-pw-01\dalio.cordoba\dms24259\VPB-CV-R4023-E1.dgn

5/9/2021 7:53:57 AM

cordo



LINE DATA		
	BEARING	DISTANCE
2	N32°01'37"E	746.07'
5	N62°41'18"E	309.56'

CURVE DATA				
	R	Δ	T	L
5	2000.00'	30°39'41"	548.29'	1070.28'



REV	DATE	BY	CHK	APP	DESCRIPTION

DESIGNED BY  
**J.C. ALAMILLA**  
DRAWN BY  
**A. SANZ**  
CHECKED BY  
**W. GUO**  
IN CHARGE  
**A. RELANO**  
DATE  
**04/30/2021**

**PEPD RECORD SET**  
REV 02  
  
**NOT FOR CONSTRUCTION**



**CALIFORNIA HIGH-SPEED RAIL PROJECT**  
**PALMDALE TO BURBANK**  
ALIGNMENT "E1"  
ROADWAY PLAN  
SIERRA HIGHWAY "SH-3"

CONTRACT NO.  
HSR14-42  
DRAWING NO.  
CV-R4023-E1  
SCALE  
AS SHOWN  
SHEET NO.

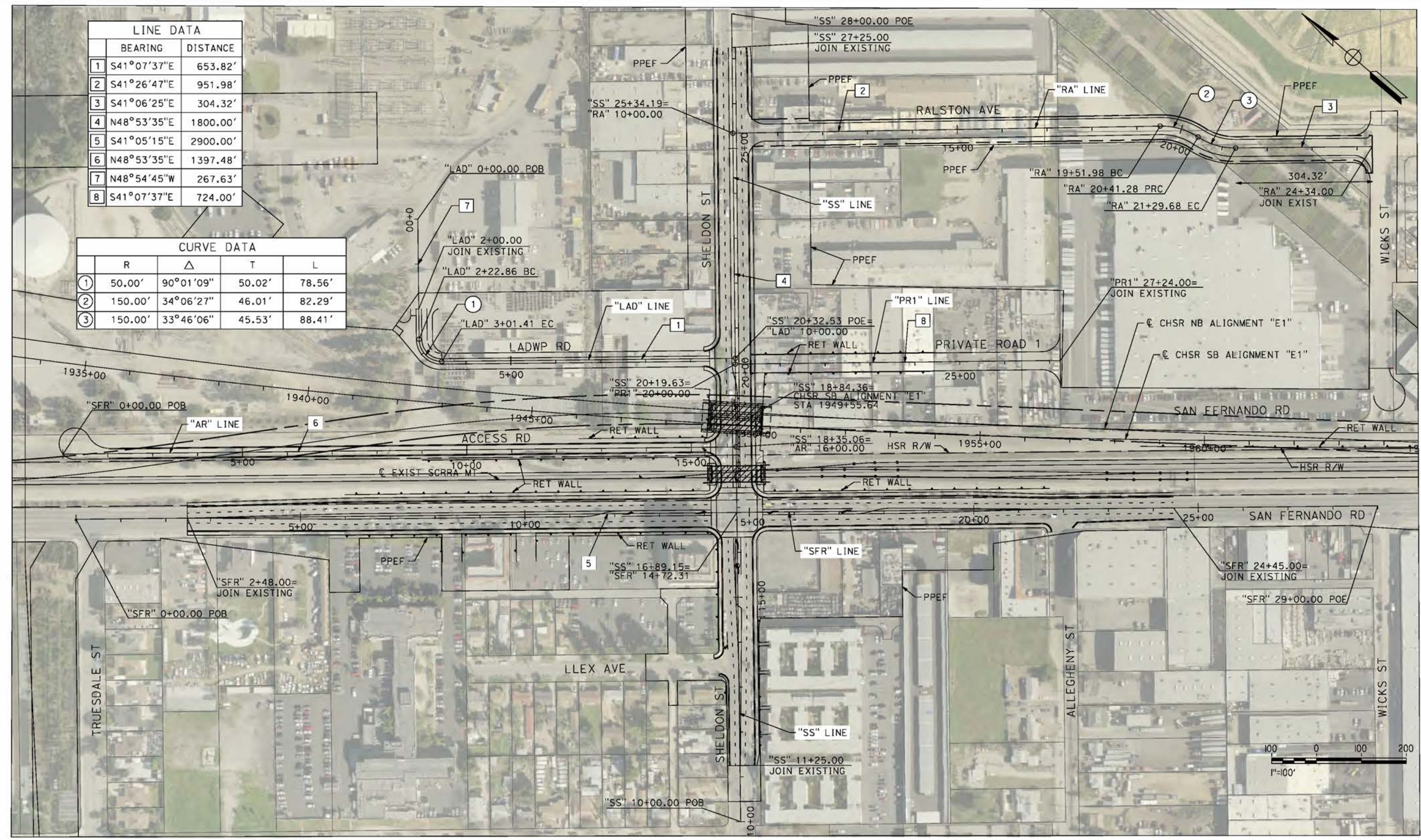
ct:\pwworkingdir\sener-us-pw-bentley.com\_sener-us-pw-01\dal\cordoba\dms24259\VPB-CV-R4030-E1.dgn

5/23/2021 9:57:03 PM

cordo

LINE DATA		
	BEARING	DISTANCE
1	S41°07'37"E	653.82'
2	S41°26'47"E	951.98'
3	S41°06'25"E	304.32'
4	N48°53'35"E	1800.00'
5	S41°05'15"E	2900.00'
6	N48°53'35"E	1397.48'
7	N48°54'45"W	267.63'
8	S41°07'37"E	724.00'

CURVE DATA				
	R	Δ	T	L
①	50.00'	90°01'09"	50.02'	78.56'
②	150.00'	34°06'27"	46.01'	82.29'
③	150.00'	33°46'06"	45.53'	88.41'



REV	DATE	BY	CHK	APP	DESCRIPTION

DESIGNED BY  
J.C. ALAMILLA  
DRAWN BY  
A. SANZ  
CHECKED BY  
W. GUO  
IN CHARGE  
A. RELANO  
DATE  
04/30/2021

**PEPD RECORD SET**  
REV 02  
**NOT FOR CONSTRUCTION**



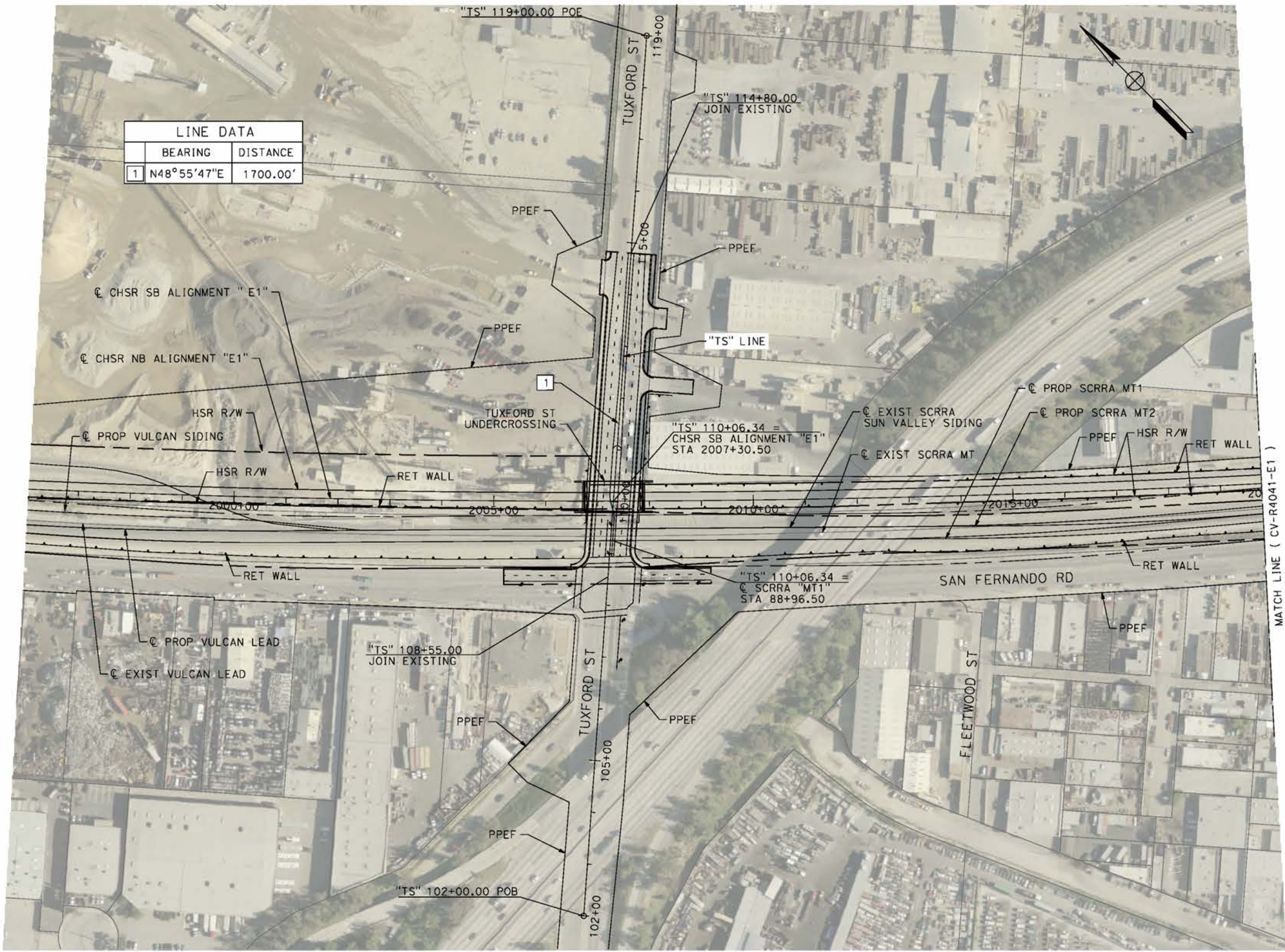
**CALIFORNIA HIGH-SPEED RAIL PROJECT**  
**PALMDALE TO BURBANK**  
ALIGNMENT "E1"  
ROADWAY PLAN  
SHELDON ST, PRIVATE RD 1, RALSTON AVE, LADWP RD  
AND ACCESS RD

CONTRACT NO.  
HSR14-42  
DRAWING NO.  
CV-R4030-E1  
SCALE  
AS SHOWN  
SHEET NO.

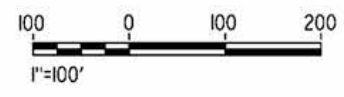
c:\pwworkingdir\sener-us-pw-bentley.com\_sener-us-pw-01\dalio.cordoba\dms24259VPB-CV-R4040-E1.dgn

5/27/2021 5:01:04 PM

cordo



LINE DATA	
BEARING	DISTANCE
1 N48°55'47"E	1700.00'



REV	DATE	BY	CHK	APP	DESCRIPTION

DESIGNED BY  
J.C. ALAMILLA  
DRAWN BY  
A. SANZ  
CHECKED BY  
W. GUO  
IN CHARGE  
A. RELANO  
DATE  
04/30/2021

**PEPD RECORD SET**  
**REV 02**  
**NOT FOR CONSTRUCTION**



**CALIFORNIA HIGH-SPEED RAIL PROJECT**  
**PALMDALE TO BURBANK**  
ALIGNMENT "E1"  
ROADWAY PLAN  
TUXFORD ST

CONTRACT NO.  
HSR14-42  
DRAWING NO.  
CV-R4040-E1  
SCALE  
AS SHOWN  
SHEET NO.



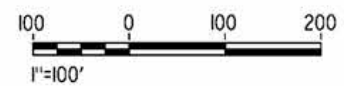
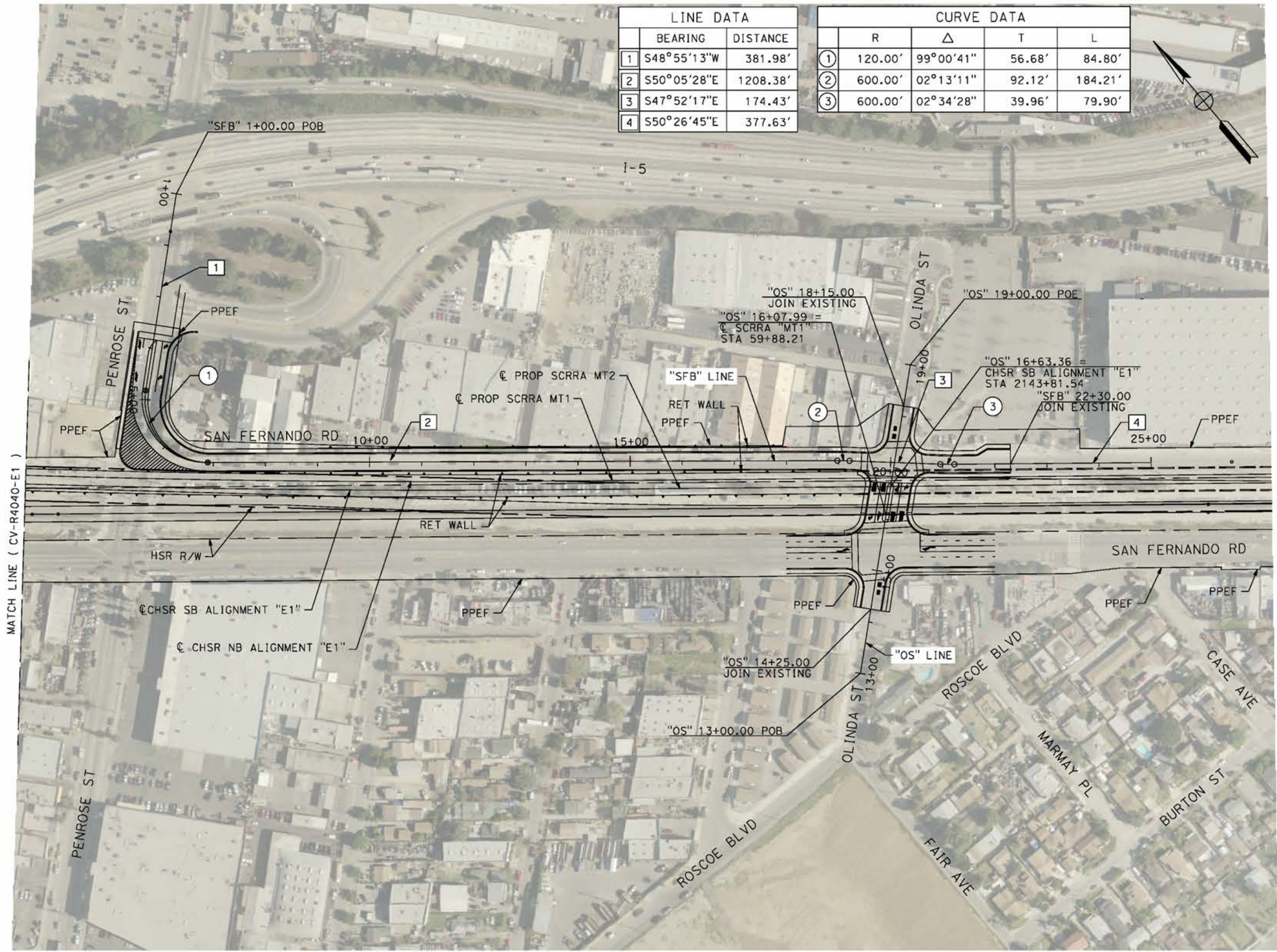
ct:\pwworkingdir\sener-us-pw-bentley.com\_sener-us-pw-01\dalfo.cordoba\dms24259VFB-CV-R4041-E1.dgn

5/27/2021 5:04:16 PM

cordo

LINE DATA		
	BEARING	DISTANCE
1	S48°55'13"W	381.98'
2	S50°05'28"E	1208.38'
3	S47°52'17"E	174.43'
4	S50°26'45"E	377.63'

CURVE DATA				
	R	Δ	T	L
①	120.00'	99°00'41"	56.68'	84.80'
②	600.00'	02°13'11"	92.12'	184.21'
③	600.00'	02°34'28"	39.96'	79.90'



REV	DATE	BY	CHK	APP	DESCRIPTION

DESIGNED BY  
J.C. ALAMILLA  
DRAWN BY  
A. SANZ  
CHECKED BY  
W. GUO  
IN CHARGE  
A. RELANO  
DATE  
04/30/2021

**PEPD RECORD SET**  
**REV 02**  
**NOT FOR CONSTRUCTION**



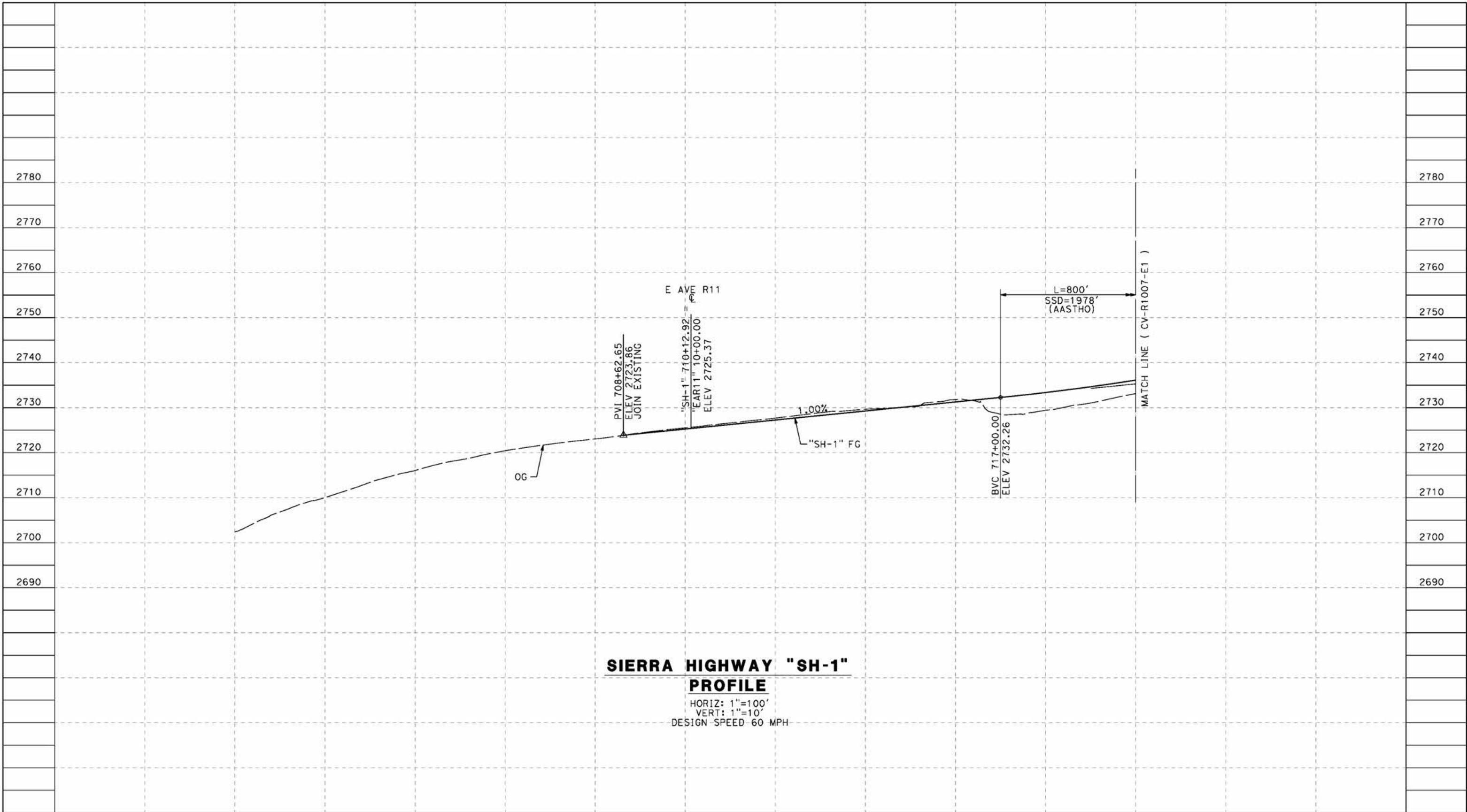
**CALIFORNIA HIGH-SPEED RAIL PROJECT**  
**PALMDALE TO BURBANK**  
ALIGNMENT "E1"  
ROADWAY PLAN  
OLINDA ST AND SAN FERNANDO RD

CONTRACT NO.  
HSR14-42  
DRAWING NO.  
CV-R4041-E1  
SCALE  
AS SHOWN  
SHEET NO.

ct:\pwworkingdir\sener-us-pw-bentley.com\_sener-us-pw-01\do\fa\cordoba\dms24259\VPB-CV-R1006-E1.dgn

5/23/2021 10:11:14 PM

cordo



**SIERRA HIGHWAY "SH-1"**  
**PROFILE**  
 HORIZ: 1"=100'  
 VERT: 1"=10'  
 DESIGN SPEED 60 MPH

STATION	700+00	702+00	704+00	706+00	708+00	710+00	712+00	714+00	716+00	718+00	720+00	TOTAL
CY	Exc											
	Emb											

REV	DATE	BY	CHK	APP	DESCRIPTION

DESIGNED BY  
J.C. ALAMILLA  
 DRAWN BY  
A. SANZ  
 CHECKED BY  
W. GUO  
 IN CHARGE  
A. RELANO  
 DATE  
04/30/2021

**PEPD RECORD SET**  
 REV 02  
**NOT FOR CONSTRUCTION**



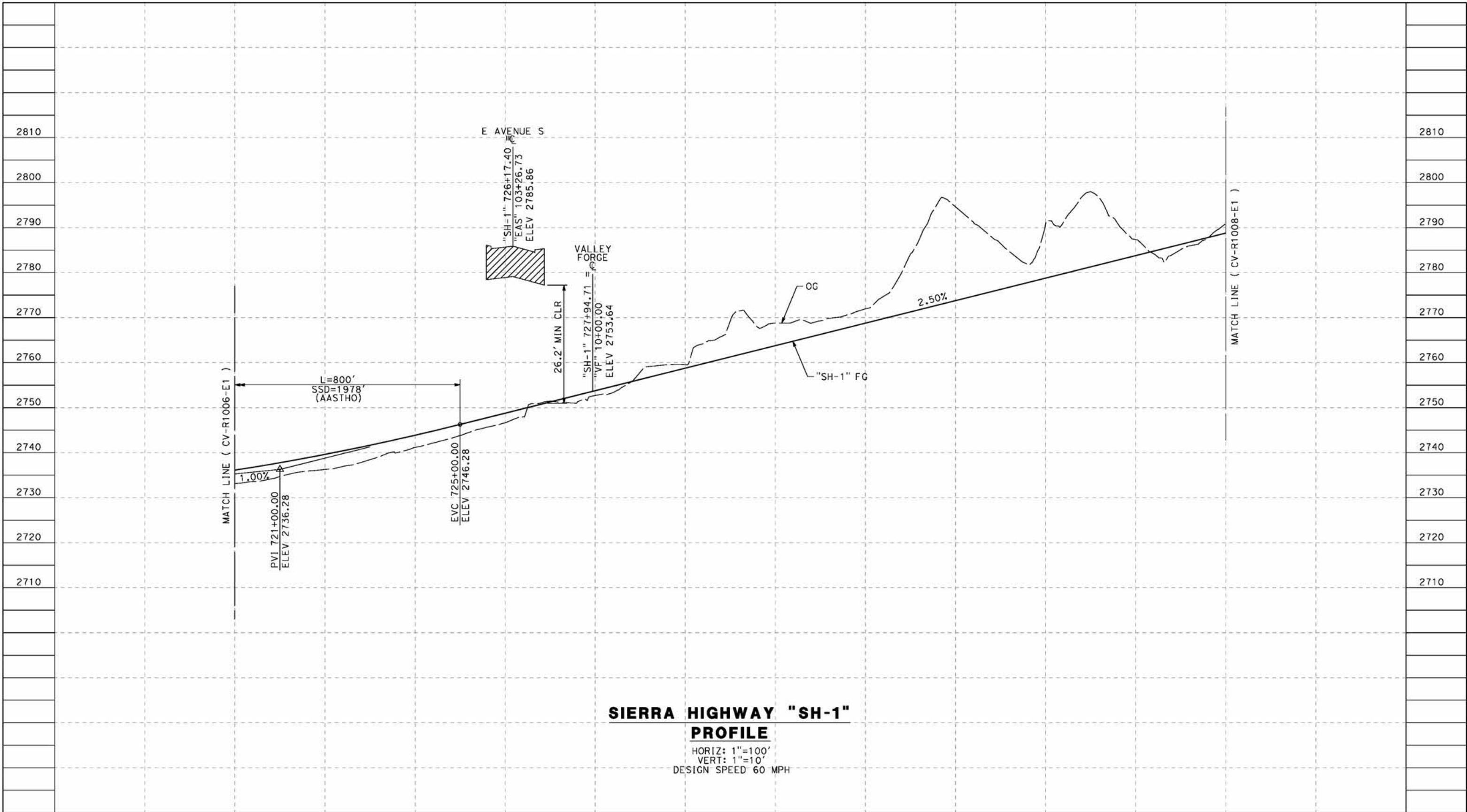
**CALIFORNIA HIGH-SPEED RAIL PROJECT**  
**PALMDALE TO BURBANK**  
 ALIGNMENT "E1"  
 ROADWAY PROFILE  
 SIERRA HIGHWAY "SH-1"  
 SHEET 1 OF 4

CONTRACT NO.	HSR14-42
DRAWING NO.	CV-R1006-E1
SCALE	AS SHOWN
SHEET NO.	

ct:\pwworkingdir\sener-us-pw-bentley.com\_sener-us-pw-01\do\cordoba\dms24259\VPB-CV-R1007-E1.dgn

5/23/2021 10:12:53 PM

cordo



**SIERRA HIGHWAY "SH-1" PROFILE**

HORIZ: 1"=100'  
 VERT: 1"=10'  
 DESIGN SPEED 60 MPH

STATION	720+00	722+00	724+00	726+00	728+00	730+00	732+00	734+00	736+00	738+00	740+00	742+00	TOTAL
CY	Exc												
	Emb												

REV	DATE	BY	CHK	APP	DESCRIPTION

DESIGNED BY  
J.C. ALAMILLA  
 DRAWN BY  
A. SANZ  
 CHECKED BY  
W. GUO  
 IN CHARGE  
A. RELANO  
 DATE  
04/30/2021

**PEPD RECORD SET  
 REV 02  
 NOT FOR  
 CONSTRUCTION**



**CALIFORNIA  
 HIGH-SPEED RAIL AUTHORITY**

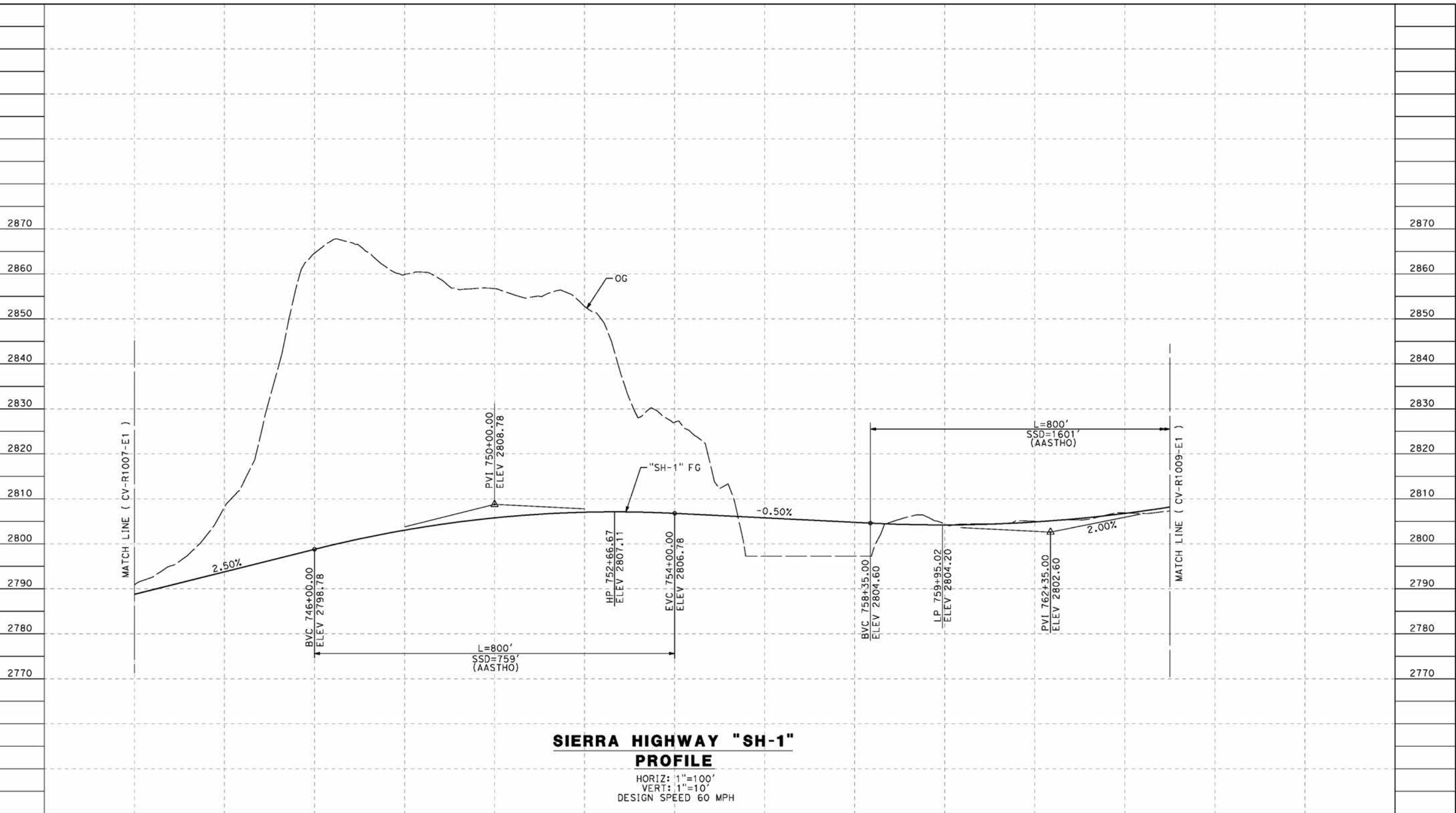
**CALIFORNIA HIGH-SPEED RAIL PROJECT  
 PALMDALE TO BURBANK**  
 ALIGNMENT "E1"  
 ROADWAY PROFILE  
 SIERRA HIGHWAY "SH-1"  
 SHEET 2 OF 4

CONTRACT NO.	HSR14-42
DRAWING NO.	CV-R1007-E1
SCALE	AS SHOWN
SHEET NO.	

ct:\pwworkingdir\sener-us-pw-bentley.com\_sener-us-pw-01\do\fa\cordoba\dms24259\VPB-CV-R1008-E1.dgn

5/23/2021 10:15:29 PM

cordo



**SIERRA HIGHWAY "SH-1"  
PROFILE**  
HORIZ: 1"=100'  
VERT: 1"=10'  
DESIGN SPEED 60 MPH

STATION	742+00	744+00	746+00	748+00	750+00	752+00	754+00	756+00	758+00	760+00	762+00	764+00	765+00	TOTAL
CY	Exc													
	Emb													

REV	DATE	BY	CHK	APP	DESCRIPTION

DESIGNED BY  
J.C. ALAMILLA  
DRAWN BY  
A. SANZ  
CHECKED BY  
R. RODRIGUEZ  
IN CHARGE  
A. RELANO  
DATE  
04/30/2021

**PEPD RECORD SET  
REV 02**  
  
**NOT FOR  
CONSTRUCTION**



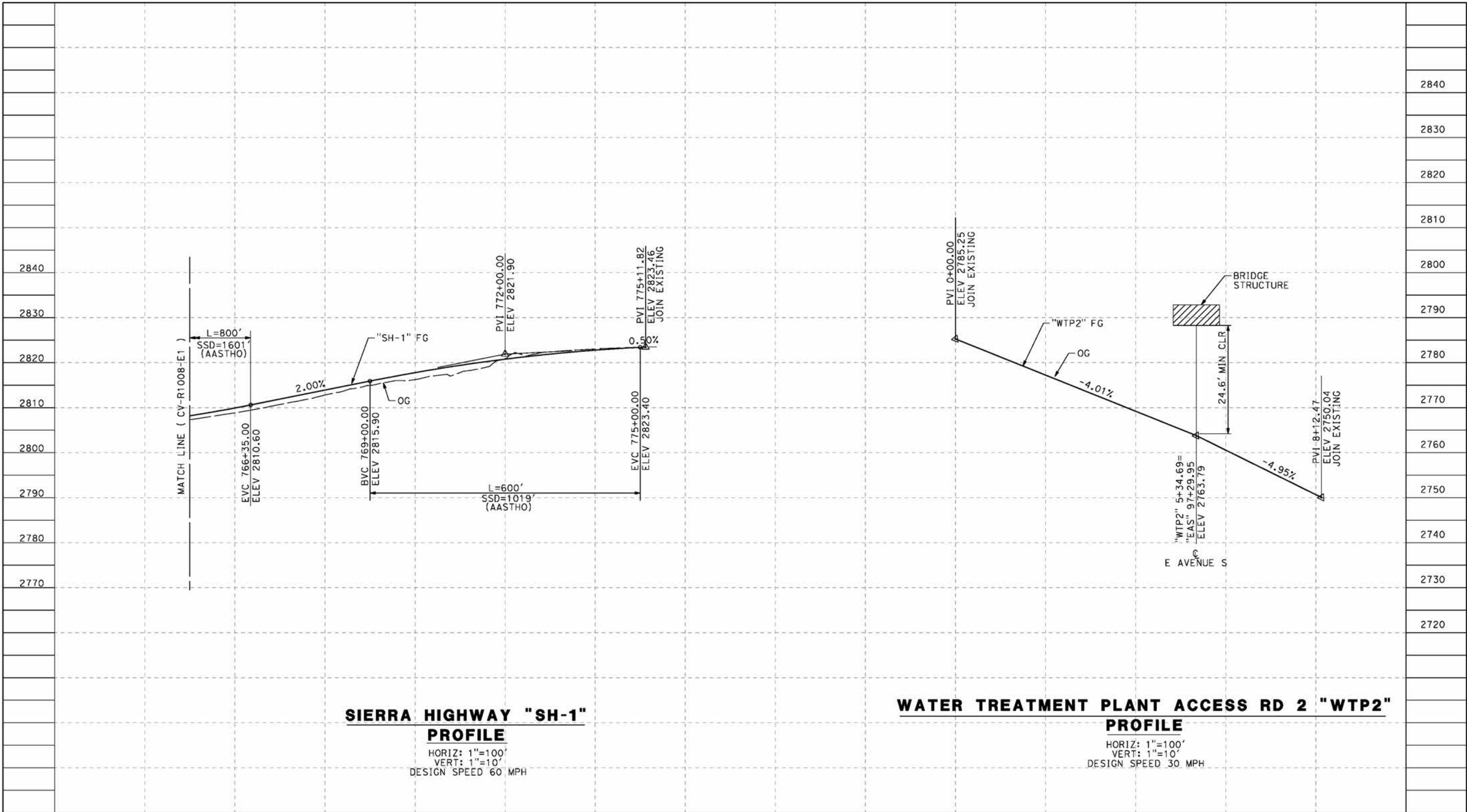
**CALIFORNIA HIGH-SPEED RAIL PROJECT  
PALMDALE TO BURBANK**  
ALIGNMENT "E1"  
SIERRA HIGHWAY  
ROADWAY PROFILE "SH-1"  
SHEET 3 OF 4

CONTRACT NO.  
HSR14-42  
DRAWING NO.  
CV-R1008-E1  
SCALE  
AS SHOWN  
SHEET NO.

ct:\pwworkingdir\sener-us-pw-bentley.com\_sener-us-pw-01\do\fa\cordoba\dms24259\VPB-CV-R1009-E1.dgn

5/27/2021 6:06:30 AM

cordo



STATION	766+00	768+00	770+00	772+00	774+00	776+00	0+00	2+00	4+00	6+00	8+00	TOTAL
Exc												
Emb												

REV	DATE	BY	CHK	APP	DESCRIPTION

DESIGNED BY  
J.C. ALAMILLA  
 DRAWN BY  
A. SANZ  
 CHECKED BY  
W. GOU  
 IN CHARGE  
A. RELANO  
 DATE  
04/30/2021

**PEPD RECORD SET  
REV 02**

**NOT FOR  
CONSTRUCTION**



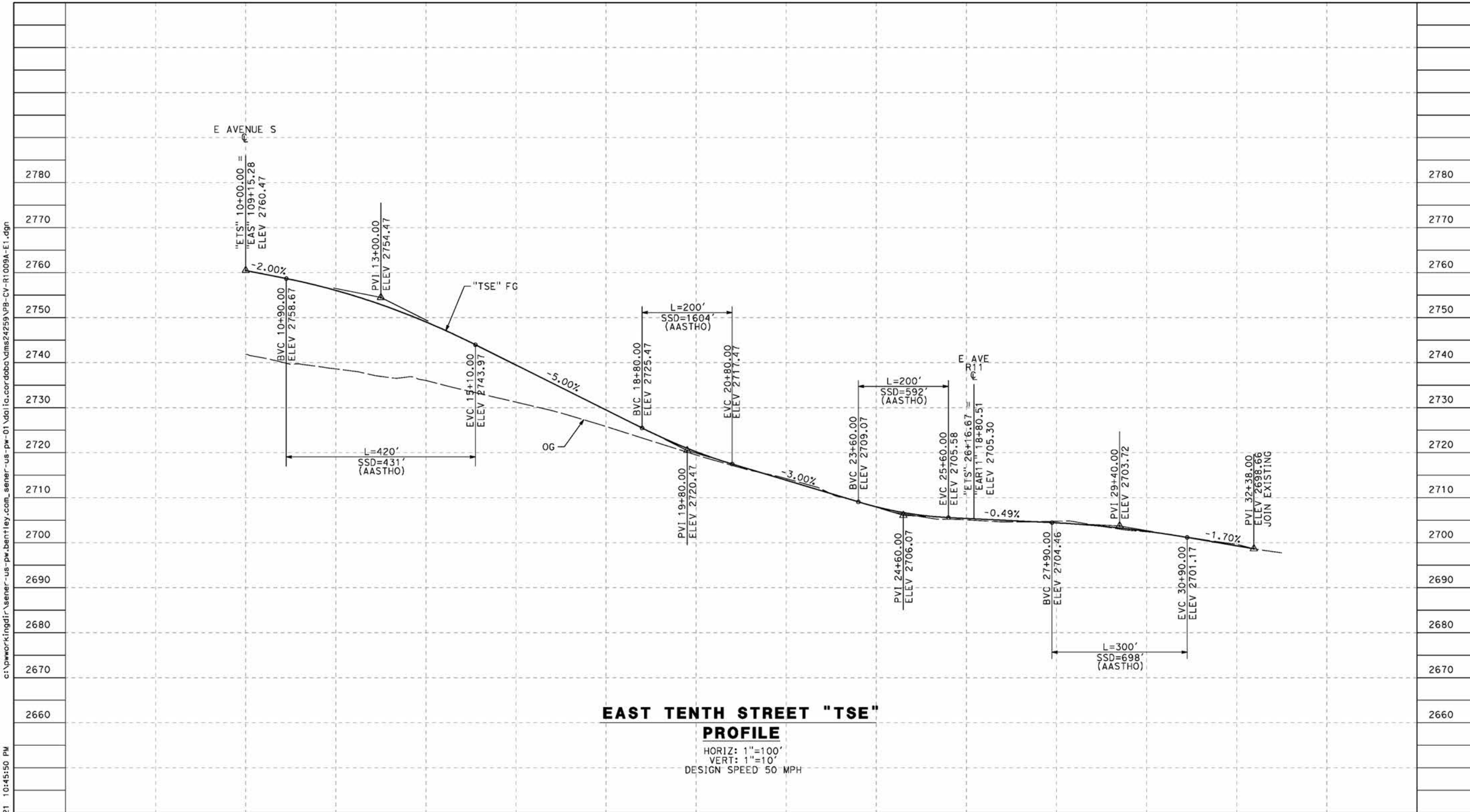
**CALIFORNIA HIGH-SPEED RAIL PROJECT  
PALMDALE TO BURBANK**

ALIGNMENT "E1"  
 SIERRA HIGHWAY  
 ROADWAY PROFILE "SH-1" AND WATER TREATMENT PLANT  
 ACCESS RD 2 - SHEET 4 OF 4

CONTRACT NO.  
HSR14-42  
 DRAWING NO.  
CV-R1009-E1  
 SCALE  
AS SHOWN  
 SHEET NO.

5/23/2021 10:45:50 PM c:\pwworkingdir\sener-us-pw-bentley.com\_sener-us-pw-01\do\fa\cordoba\dms24259\VPB-CV-R1009A-E1.dgn

cordo



STATION	10+00	12+00	14+00	16+00	18+00	20+00	22+00	24+00	26+00	28+00	30+00	32+00	34+00	TOTAL
Exc														
Emb														

REV	DATE	BY	CHK	APP	DESCRIPTION

DESIGNED BY  
J.C. ALAMILLA  
 DRAWN BY  
A. SANZ  
 CHECKED BY  
W. GUO  
 IN CHARGE  
A. RELANO  
 DATE  
04/30/2021

**PEPD RECORD SET  
REV 02**  
  
**NOT FOR  
CONSTRUCTION**



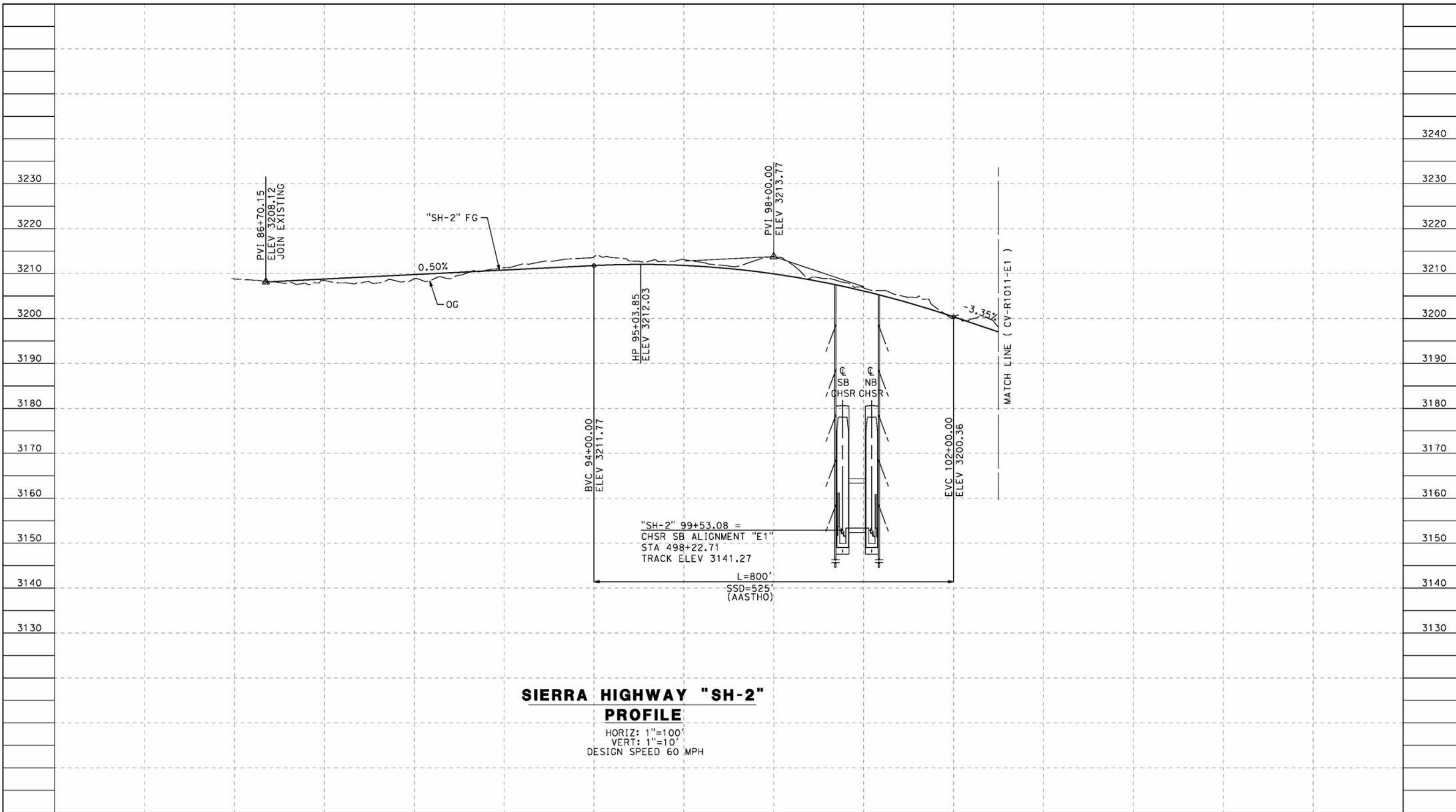
**CALIFORNIA HIGH-SPEED RAIL PROJECT  
PALMDALE TO BURBANK**  
 ALIGNMENT "E1"  
 ROADWAY PROFILE  
 EAST TENTH STREET

CONTRACT NO.  
HSR14-42  
 DRAWING NO.  
CV-R1009A-E1  
 SCALE  
AS SHOWN  
 SHEET NO.

ct:\pwworkingdir\sener-us-pw-bentley.com\_sener-us-pw-01\do\fa\cordoba\dms24259\VPB-CV-R1010-E1.dgn

5/23/2021 10:48:48 PM

cordo



**SIERRA HIGHWAY "SH-2"  
PROFILE**

HORIZ: 1"=100'  
VERT: 1"=10'  
DESIGN SPEED 60 MPH

STATION	86+00	88+00	90+00	92+00	94+00	96+00	98+00	100+00	102+00	104+00	TOTAL
CY	Exc										
	Emb										

REV	DATE	BY	CHK	APP	DESCRIPTION

DESIGNED BY  
J.C. ALAMILLA  
DRAWN BY  
A. SANZ  
CHECKED BY  
W. GUO  
IN CHARGE  
A. RELANO  
DATE  
04/30/2021

**PEPD RECORD SET  
REV 02  
NOT FOR  
CONSTRUCTION**



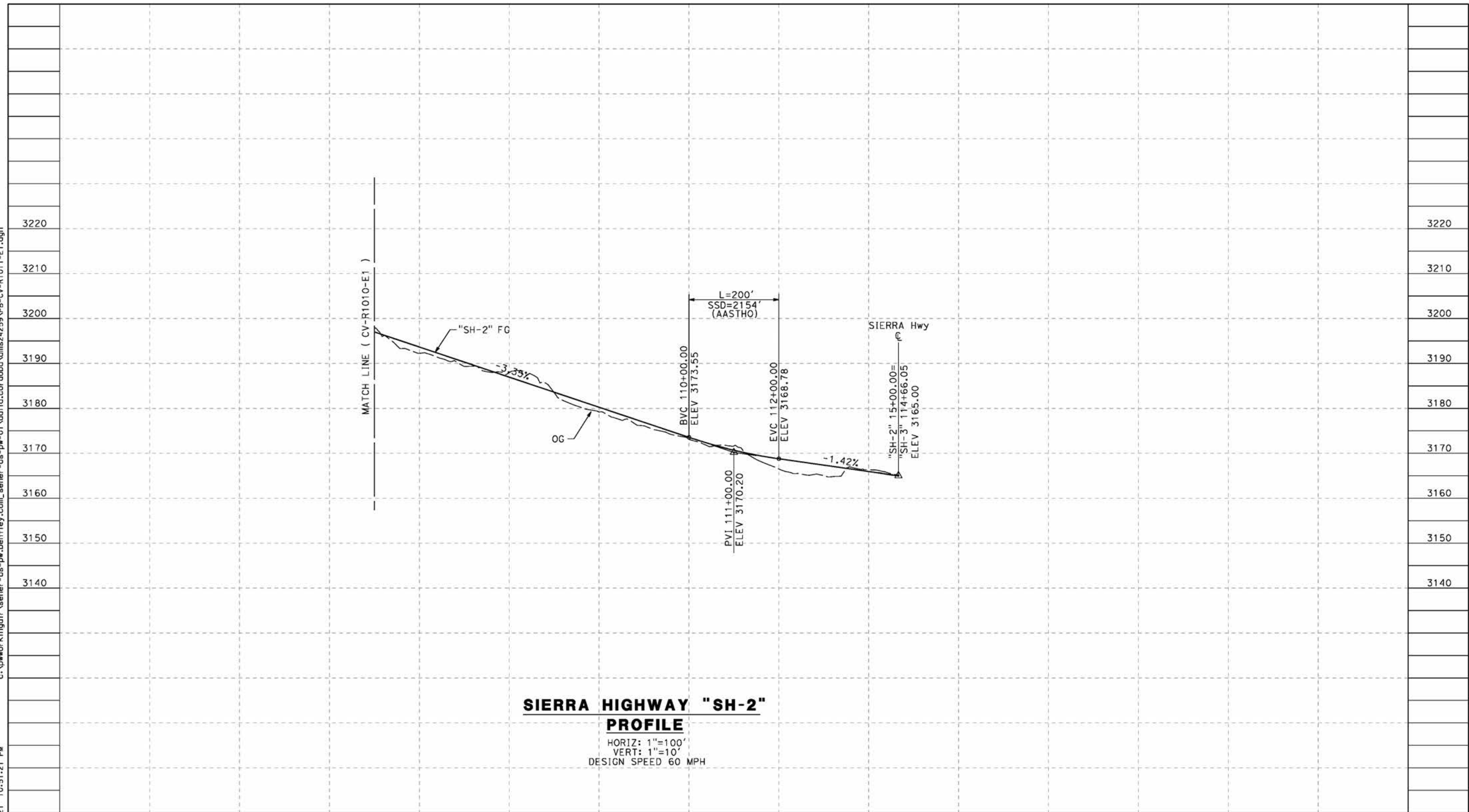
**CALIFORNIA HIGH-SPEED RAIL PROJECT  
PALMDALE TO BURBANK**  
ALIGNMENT "E1"  
ROADWAY PROFILE  
SIERRA HIGHWAY "SH-2"  
SHEET 1 OF 2

CONTRACT NO.  
HSR14-42  
DRAWING NO.  
CV-R1010-E1  
SCALE  
AS SHOWN  
SHEET NO.

ct:\pwworkingdir\sener-us-pw-bentley.com\_sener-us-pw-01\do\cordoba\dms24259\VPB-CV-R1011-E1.dgn

5/23/2021 10:51:21 PM

cordo



**SIERRA HIGHWAY "SH-2"  
PROFILE**

HORIZ: 1"=100'  
VERT: 1"=10'  
DESIGN SPEED 60 MPH

STATION	102+00	104+00	106+00	108+00	110+00	112+00	114+00	116+00	TOTAL
Exc									
Emb									

REV	DATE	BY	CHK	APP	DESCRIPTION

DESIGNED BY  
J.C. ALAMILLA  
DRAWN BY  
A. SANZ  
CHECKED BY  
W. GUO  
IN CHARGE  
A. RELANO  
DATE  
04/30/2021

**PEPD RECORD SET  
REV 02  
NOT FOR  
CONSTRUCTION**



**CALIFORNIA HIGH-SPEED RAIL PROJECT  
PALMDALE TO BURBANK**  
ALIGNMENT "E1"  
ROADWAY PROFILE  
SIERRA HIGHWAY "SH-2"  
SHEET 2 OF 2

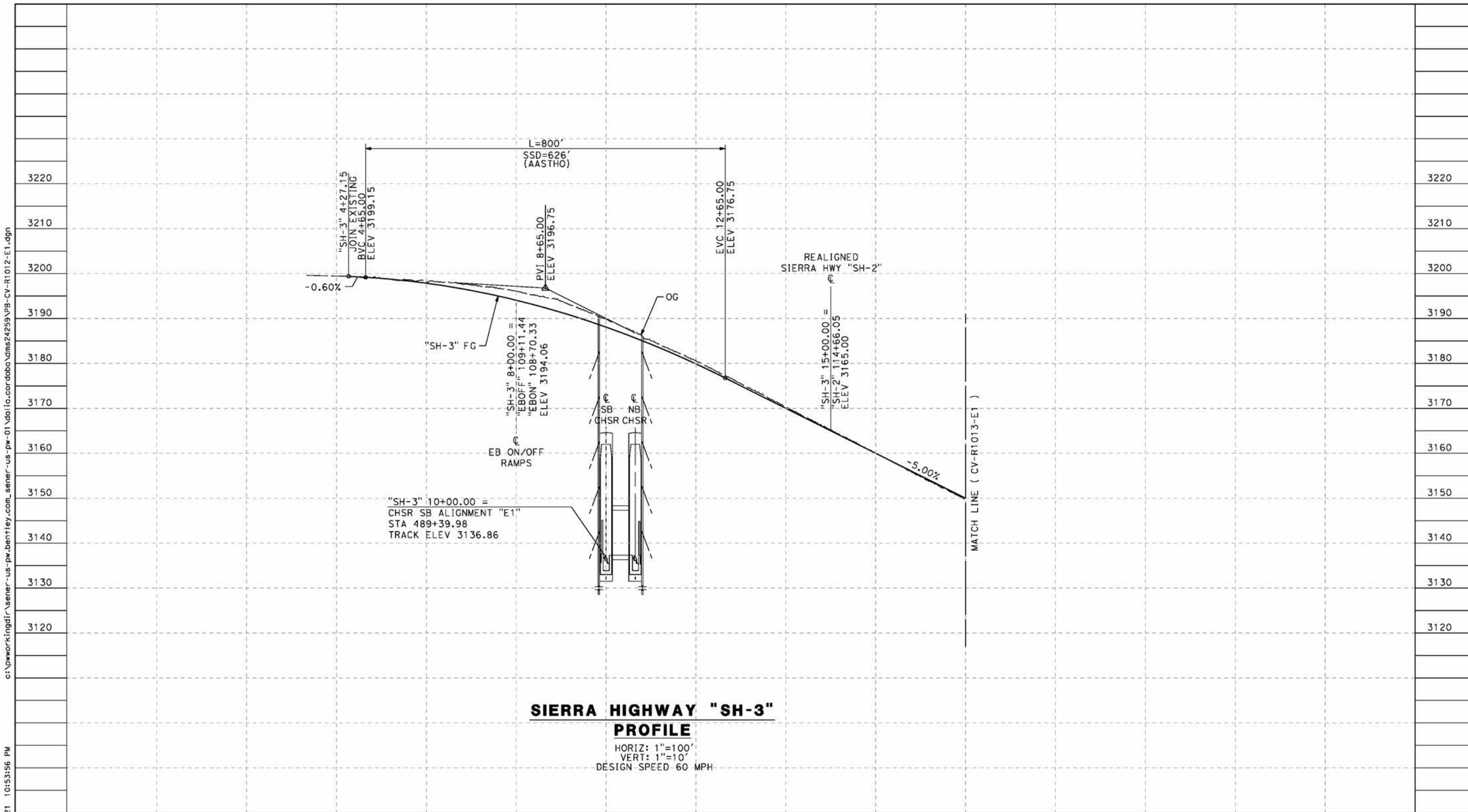
CONTRACT NO.  
HSR14-42  
DRAWING NO.  
CV-R1011-E1  
SCALE  
AS SHOWN  
SHEET NO.



ct:\pwworkingdir\sener-us-pw-bentley.com\_sener-us-pw-01\do\cordoba\dms24259\VPB-CV-R1012-E1.dgn

5/23/2021 10:53:56 PM

cordo



**SIERRA HIGHWAY "SH-3"  
PROFILE**

HORIZ: 1"=100'  
VERT: 1"=10'  
DESIGN SPEED 60 MPH

STATION	0+00	2+00	4+00	6+00	8+00	10+00	12+00	14+00	16+00	18+00	TOTAL
Exc											
Emb											

DESIGNED BY  
J.C. ALAMILLA  
DRAWN BY  
A. SANZ  
CHECKED BY  
W. GUO  
IN CHARGE  
A. RELANO  
DATE  
04/30/2021

**PEPD RECORD SET  
REV 02  
NOT FOR  
CONSTRUCTION**



**CALIFORNIA HIGH-SPEED RAIL PROJECT  
PALMDALE TO BURBANK**  
ALIGNMENT "E1"  
ROADWAY PROFILE  
SIERRA HIGHWAY "SH-3"  
SHEET 1 OF 2

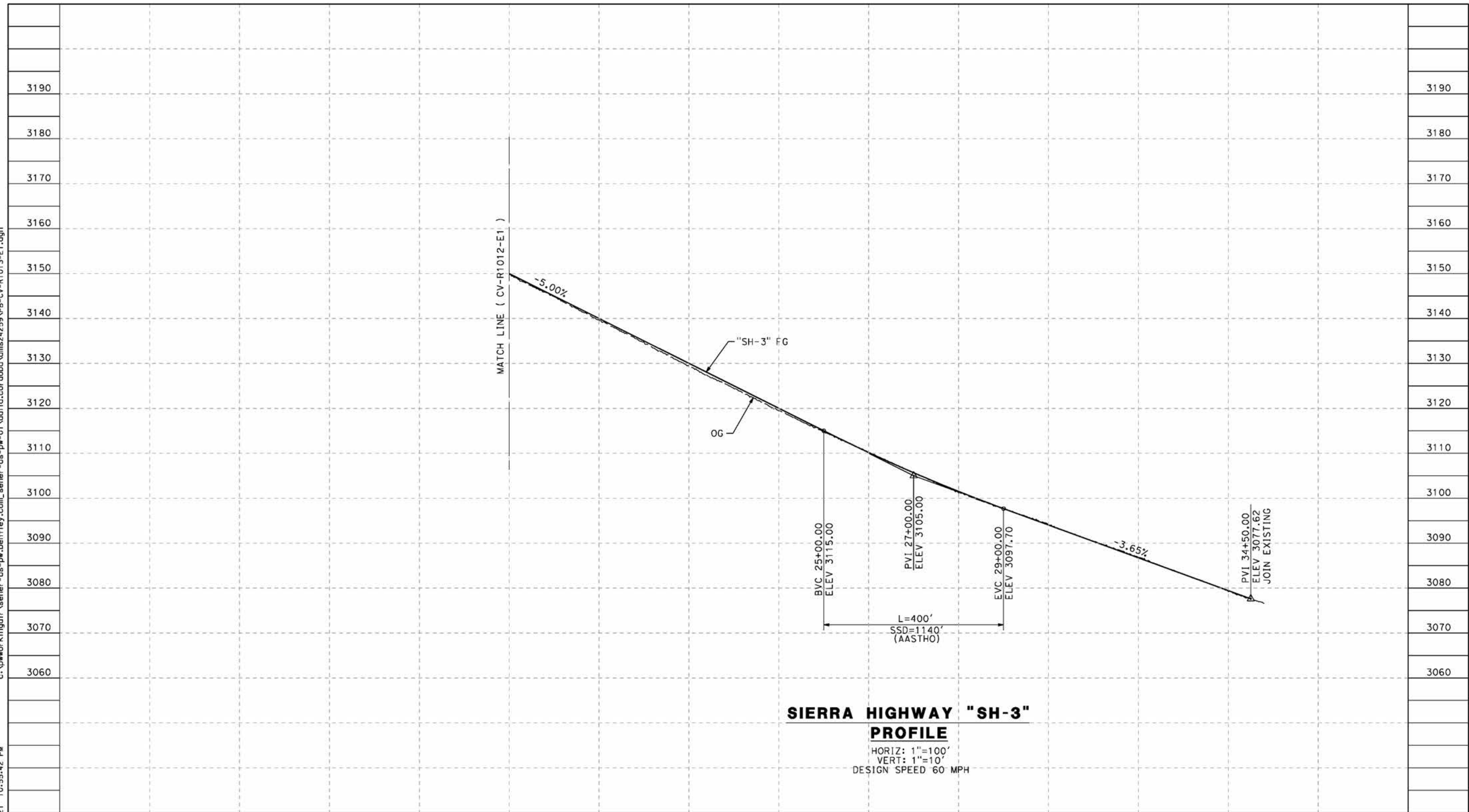
CONTRACT NO.  
HSR14-42  
DRAWING NO.  
CV-R1012-E1  
SCALE  
AS SHOWN  
SHEET NO.

REV	DATE	BY	CHK	APP	DESCRIPTION

ct:\pwworkingdir\sener-us-pw-bentley.com\_sener-us-pw-01\da\fa\cordoba\dms24259VPB-CV-R1013-E1.dgn

5/23/2021 10:55:42 PM

cordo



**SIERRA HIGHWAY "SH-3"  
PROFILE**

HORIZ: 1"=100'  
VERT: 1"=10'  
DESIGN SPEED 60 MPH

STATION	18+00	20+00	22+00	24+00	26+00	28+00	30+00	32+00	34+00	TOTAL
Exc										
Emb										

REV	DATE	BY	CHK	APP	DESCRIPTION

DESIGNED BY  
J.C. ALAMILLA  
DRAWN BY  
A. SANZ  
CHECKED BY  
W. GUO  
IN CHARGE  
A. RELANO  
DATE  
04/30/2021

**PEPD RECORD SET  
REV 02  
NOT FOR  
CONSTRUCTION**

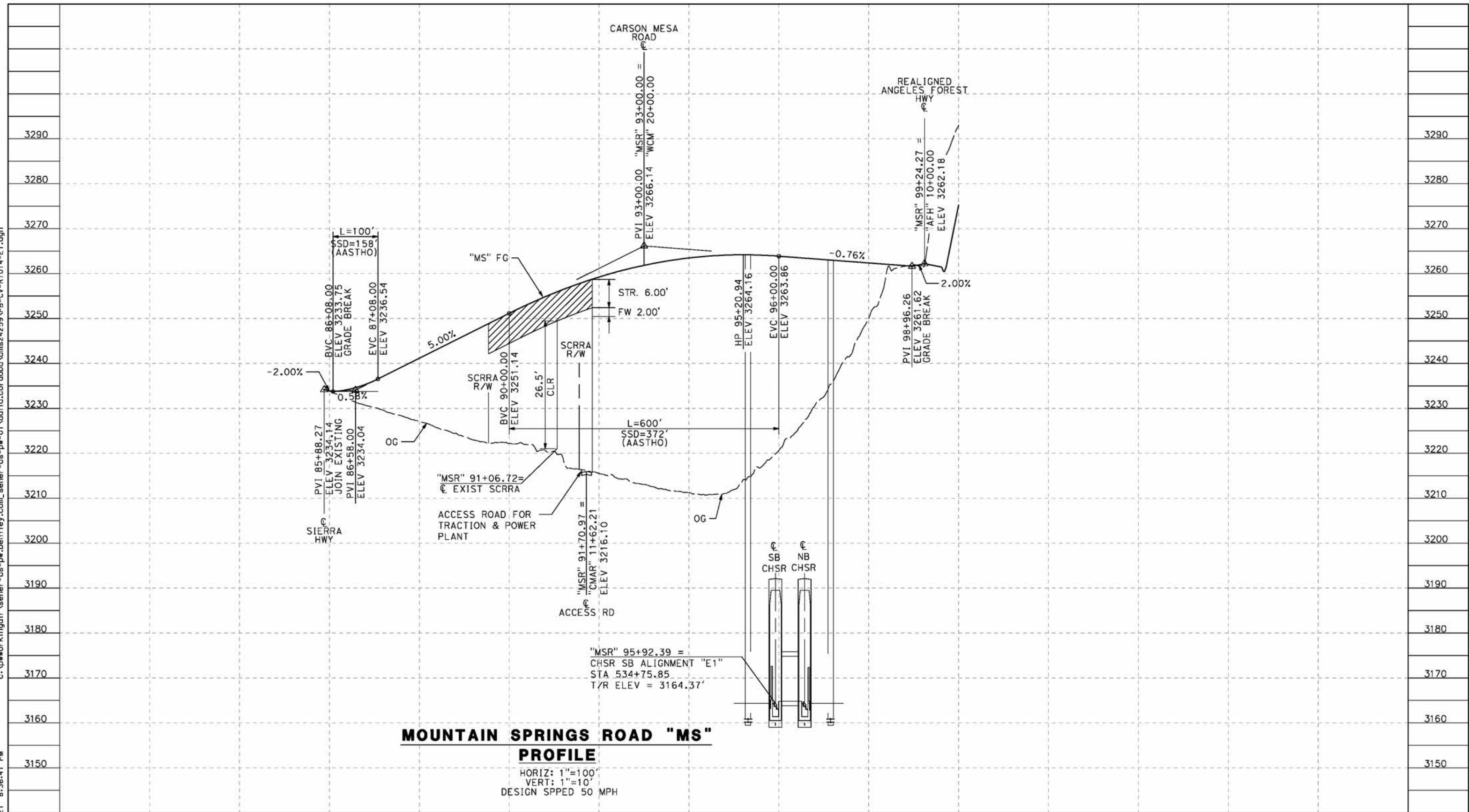


**CALIFORNIA HIGH-SPEED RAIL PROJECT  
PALMDALE TO BURBANK**  
ALIGNMENT "E1"  
ROADWAY PROFILE  
SIERRA HIGHWAY "SH-3"  
SHEET 2 OF 2

CONTRACT NO.  
HSR14-42  
DRAWING NO.  
CV-R1013-E1  
SCALE  
AS SHOWN  
SHEET NO.

5/25/2021 8:36:41 PM c:\pwworkingdir\sener-us-pw-bentley.com\_sener-us-pw-01\do\fa\cordoba\dms24259\FB-CV-R1014-E1.dgn

cordo



**MOUNTAIN SPRINGS ROAD "MS" PROFILE**

HORIZ: 1"=100'  
 VERT: 1"=10'  
 DESIGN SPPED 50 MPH

STATION	86+00	88+00	90+00	92+00	94+00	96+00	98+00	100+00	TOTAL
CY	Exc								
	Emb								

REV	DATE	BY	CHK	APP	DESCRIPTION

DESIGNED BY  
J.C. ALAMILLA  
 DRAWN BY  
A. SANZ  
 CHECKED BY  
W. GUO  
 IN CHARGE  
A. RELANO  
 DATE  
04/30/2021

**PEPD RECORD SET  
 REV 02  
 NOT FOR  
 CONSTRUCTION**



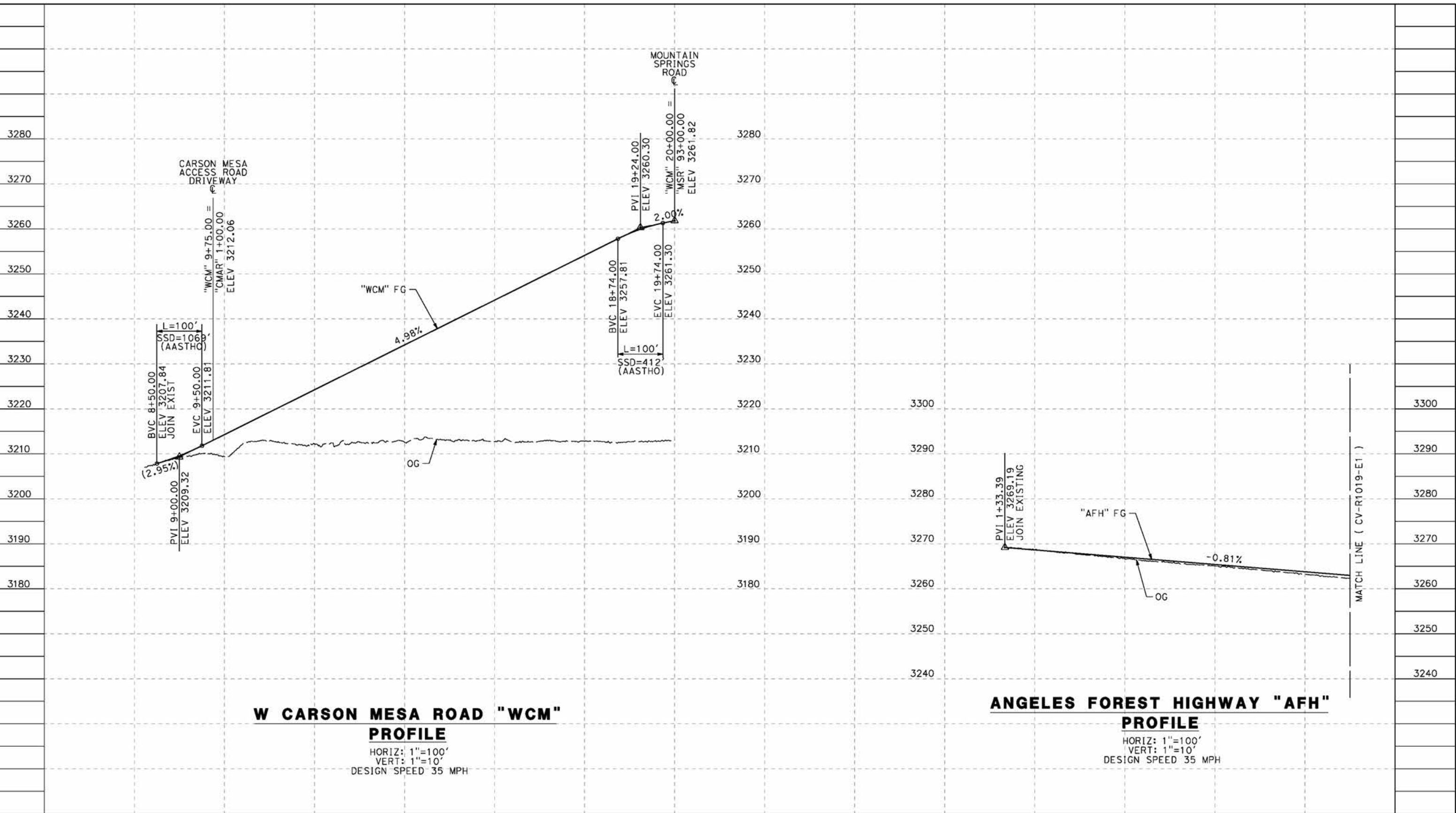
**CALIFORNIA HIGH-SPEED RAIL PROJECT  
 PALMDALE TO BURBANK**  
 ALIGNMENT "E1"  
 ROADWAY PROFILE  
 MOUNTAIN SPRINGS ROAD

CONTRACT NO. HSR14-42
DRAWING NO. CV-R1014-E1
SCALE AS SHOWN
SHEET NO.

ct:\pwworkingdir\sener-us-pw-bentley.com\_sener-us-pw-01\do\fa\cordoba\dms24259\VPB-CV-R1018-E1.dgn

5/23/2021 11:00:19 PM

cordo



**W CARSON MESA ROAD "WCM" PROFILE**

HORIZ: 1"=100'  
VERT: 1"=10'  
DESIGN SPEED 35 MPH

**ANGELES FOREST HIGHWAY "AFH" PROFILE**

HORIZ: 1"=100'  
VERT: 1"=10'  
DESIGN SPEED 35 MPH

STATION	8+00	10+00	12+00	14+00	16+00	18+00	20+00	0+00	2+00	4+00	6+00	8+00	TOTAL
Exc													
Emb													

DESIGNED BY  
J.C. ALAMILLA  
DRAWN BY  
A. SANZ  
CHECKED BY  
W. GUO  
IN CHARGE  
A. RELANO  
DATE  
04/30/2021

**PEPD RECORD SET  
REV 02  
NOT FOR  
CONSTRUCTION**



**CALIFORNIA HIGH-SPEED RAIL PROJECT  
PALMDALE TO BURBANK**  
ALIGNMENT "E1"  
ROADWAY PROFILE  
ANGELES FOREST HIGHWAY AND W CARSON MESA ROAD

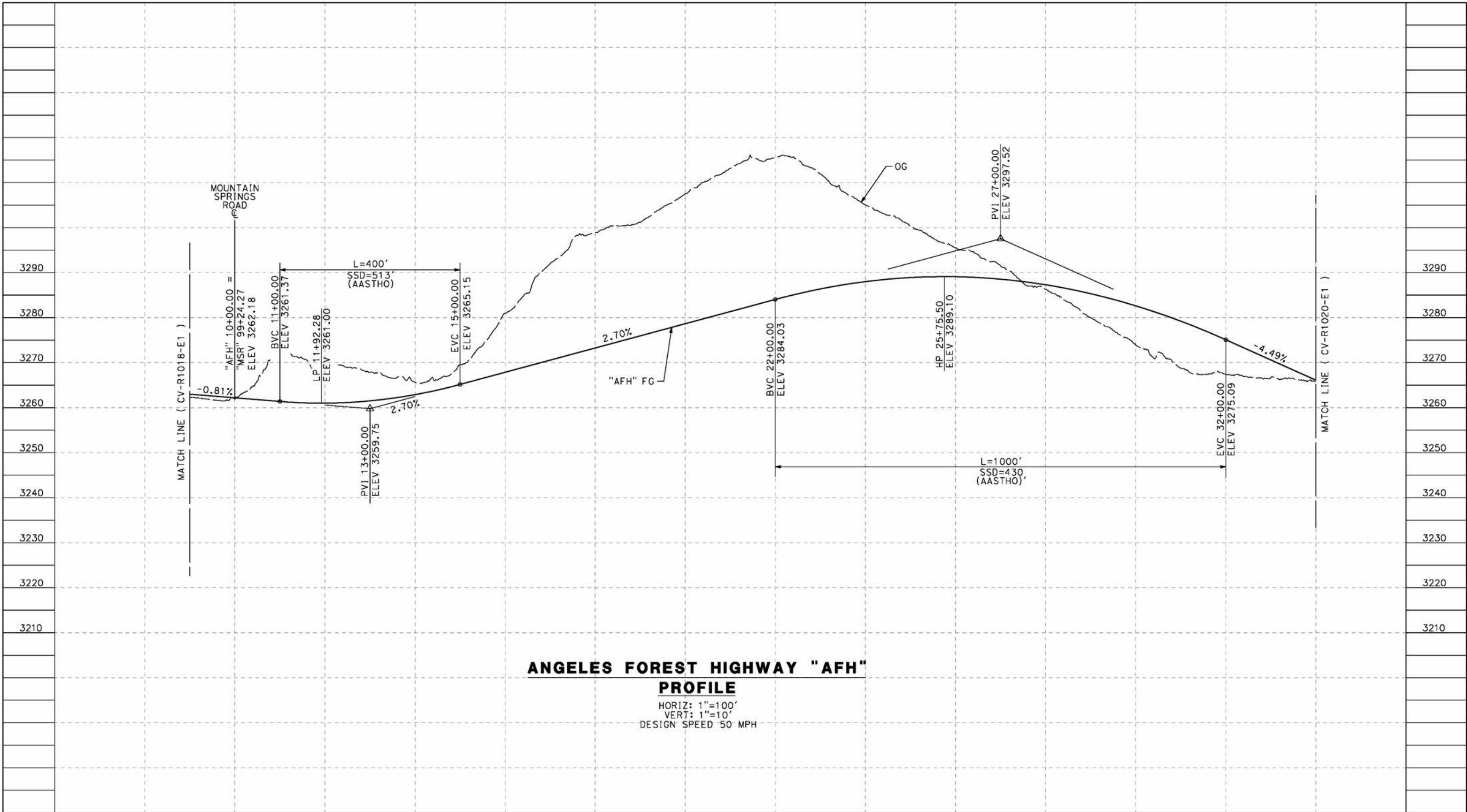
CONTRACT NO.  
HSR14-42  
DRAWING NO.  
CV-R1018-E1  
SCALE  
AS SHOWN  
SHEET NO.

REV	DATE	BY	CHK	APP	DESCRIPTION

ct:\pwworkingdir\sener-us-pw-bentley.com\_sener-us-pw-01\do\fa\cordoba\dms24259\VPB-CV-R1019-E1.dgn

5/23/2021 11:07:45 PM

cordo



**ANGELES FOREST HIGHWAY "AFH"**  
**PROFILE**  
 HORIZ: 1"=100'  
 VERT: 1"=10'  
 DESIGN SPEED 50 MPH

STATION	10+00	12+00	14+00	16+00	18+00	20+00	22+00	24+00	26+00	28+00	30+00	32+00	34+00	TOTAL
Exc														
Emb														

REV	DATE	BY	CHK	APP	DESCRIPTION

DESIGNED BY  
J.C. ALAMILLA  
 DRAWN BY  
A. SANZ  
 CHECKED BY  
W. GUO  
 IN CHARGE  
A. RELANO  
 DATE  
04/30/2021

**PEPD RECORD SET  
REV 02**  
  
**NOT FOR  
CONSTRUCTION**



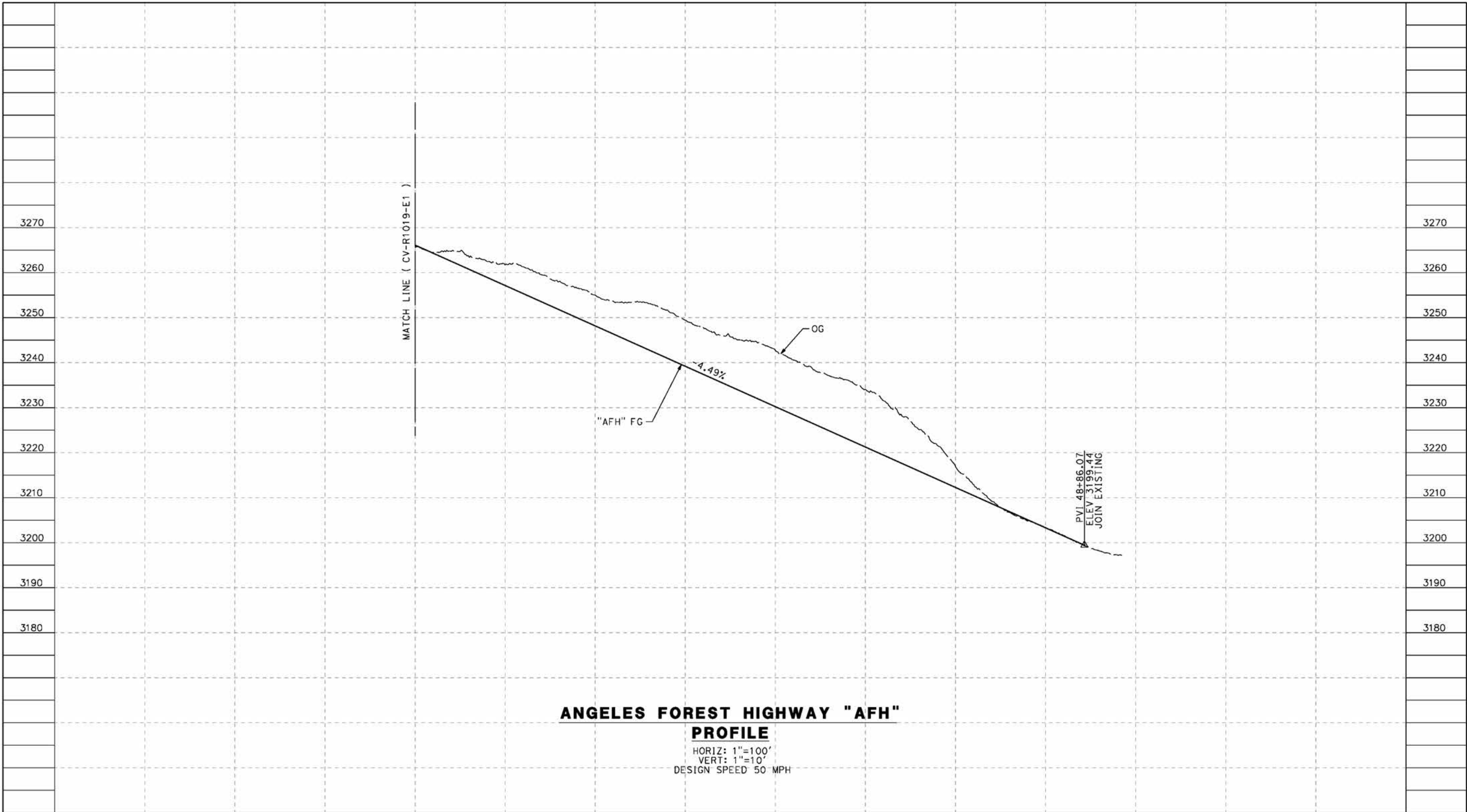
**CALIFORNIA HIGH-SPEED RAIL PROJECT**  
**PALMDALE TO BURBANK**  
 ALIGNMENT "E1"  
 ROADWAY PROFILE  
 ANGELES FOREST HIGHWAY  
 SHEET 1 OF 2

CONTRACT NO.  
HSR14-42  
 DRAWING NO.  
CV-R1019-E1  
 SCALE  
AS SHOWN  
 SHEET NO.

ct:\pwworkingdir\sener-us-pw-bentley.com\_sener-us-pw-01\do\fa\cordoba\dms24259\VPB-CV-R1020-E1.dgn

5/23/2021 11:10:36 PM

cordo



**ANGELES FOREST HIGHWAY "AFH"**

**PROFILE**

HORIZ: 1"=100'  
 VERT: 1"=10'  
 DESIGN SPEED 50 MPH

STATION	34+00	36+00	38+00	40+00	42+00	44+00	46+00	48+00	50+00	TOTAL
CY	Exc									
	Emb									

REV	DATE	BY	CHK	APP	DESCRIPTION

DESIGNED BY  
J.C. ALAMILLA  
 DRAWN BY  
A. SANZ  
 CHECKED BY  
W. GUO  
 IN CHARGE  
A. RELANO  
 DATE  
04/30/2021

**PEPD RECORD SET  
 REV 02  
 NOT FOR  
 CONSTRUCTION**



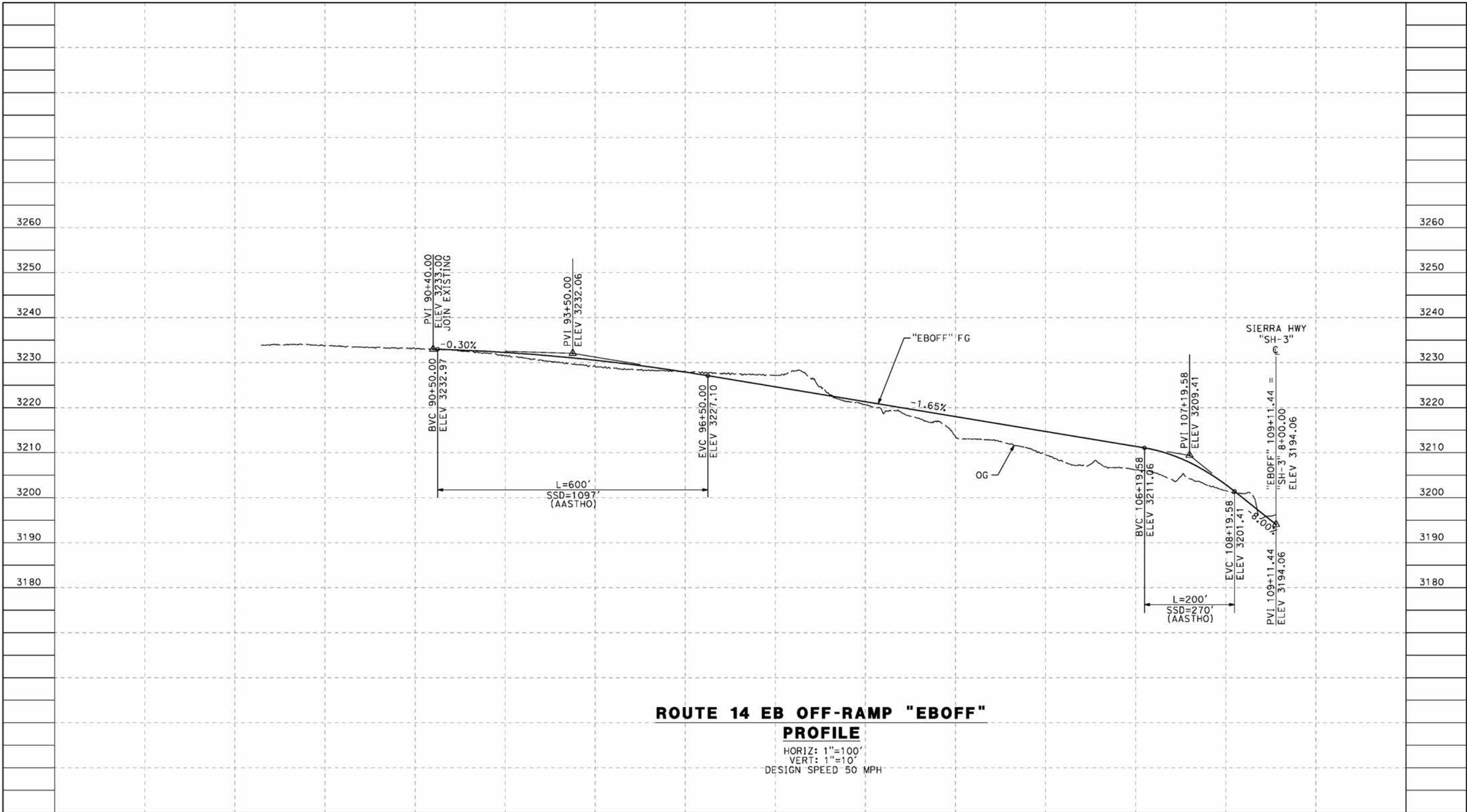
**CALIFORNIA HIGH-SPEED RAIL PROJECT  
 PALMDALE TO BURBANK**  
 ALIGNMENT "E1"  
 ROADWAY PROFILE  
 ANGELES FOREST HIGHWAY  
 SHEET 2 OF 2

CONTRACT NO.  
HSR14-42  
 DRAWING NO.  
CV-R1020-E1  
 SCALE  
AS SHOWN  
 SHEET NO.

ct:\pwworkingdir\sener-us-pw-bentley.com\_sener-us-pw-01\do\cordoba\dms24259\VPB-CV-R1021-E1.dgn

5/23/2021 11:13:10 PM

cordo



**ROUTE 14 EB OFF-RAMP "EBOFF" PROFILE**

HORIZ: 1"=100'  
 VERT: 1"=10'  
 DESIGN SPEED 50 MPH

STATION	84+00	86+00	88+00	90+00	92+00	94+00	96+00	98+00	100+00	102+00	104+00	106+00	108+00	110+00	TOTAL
Exc															
Emb															

REV	DATE	BY	CHK	APP	DESCRIPTION

DESIGNED BY  
J.C. ALAMILLA  
 DRAWN BY  
A. SANZ  
 CHECKED BY  
W. GUO  
 IN CHARGE  
A. RELANO  
 DATE  
04/30/2021

**PEPD RECORD SET  
 REV 02  
 NOT FOR  
 CONSTRUCTION**



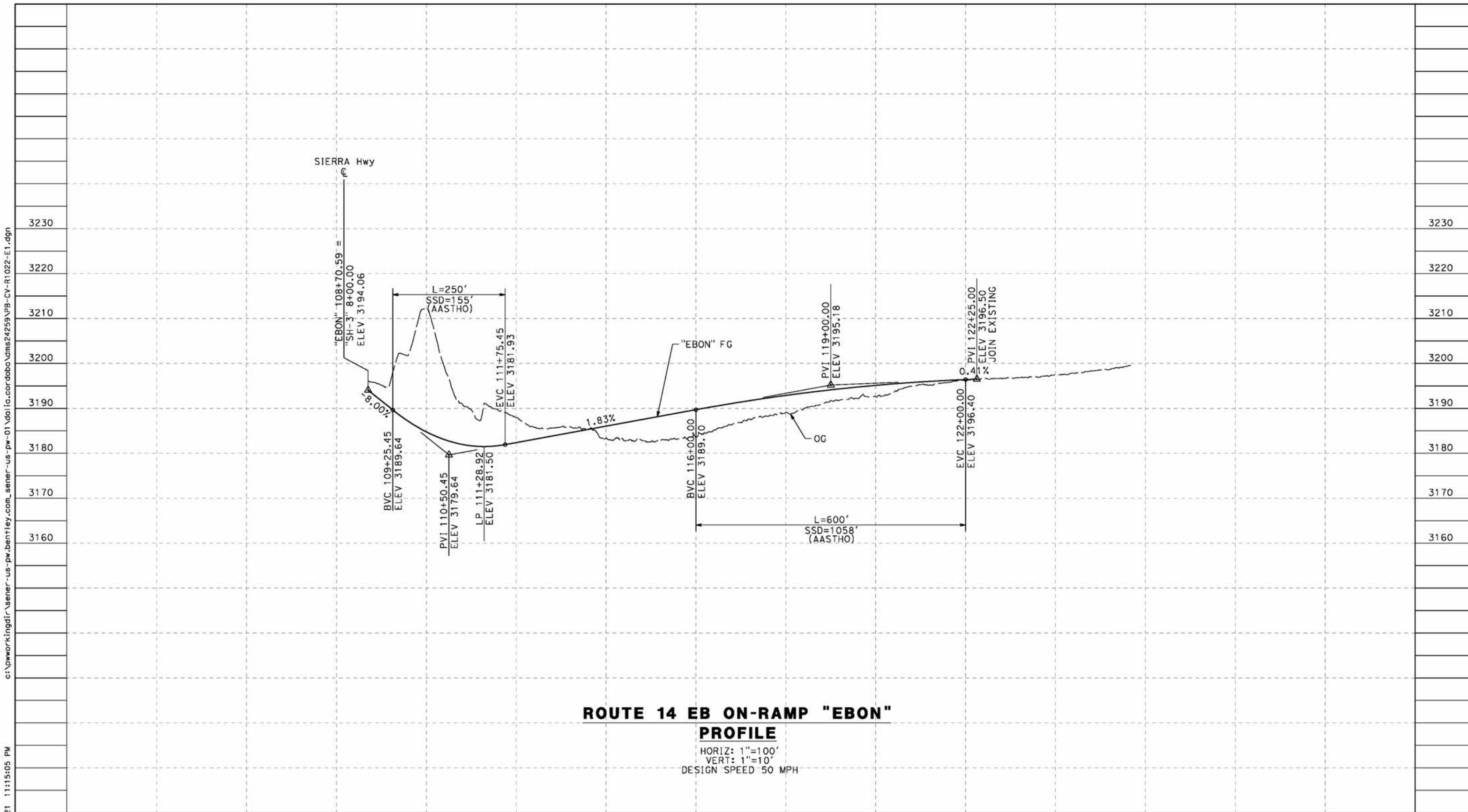
**CALIFORNIA HIGH-SPEED RAIL PROJECT  
 PALMDALE TO BURBANK**  
 ALIGNMENT "E1"  
 ROADWAY PROFILE  
 ROUTE 14 EB OFF-RAMP

CONTRACT NO.  
HSR14-42  
 DRAWING NO.  
CV-R1021-E1  
 SCALE  
AS SHOWN  
 SHEET NO.

ct:\pwworkingdir\sener-us-pw-bentley.com\_sener-us-pw-01\do\fa\cordoba\dms24259\VPB-CV-R1022-E1.dgn

5/23/2021 11:15:05 PM

cordo



**ROUTE 14 EB ON-RAMP "EBON"**  
**PROFILE**

HORIZ: 1"=100'  
VERT: 1"=10'  
DESIGN SPEED 50 MPH

STATION	108+00	110+00	112+00	114+00	116+00	118+00	120+00	122+00	124+00	126+00	TOTAL
Exc											
Emb											

REV	DATE	BY	CHK	APP	DESCRIPTION

DESIGNED BY  
J.C. ALAMILLA  
DRAWN BY  
A. SANZ  
CHECKED BY  
W. GUO  
IN CHARGE  
A. RELANO  
DATE  
04/30/2021

**PEPD RECORD SET**  
**REV 02**  
  
**NOT FOR**  
**CONSTRUCTION**



**CALIFORNIA HIGH-SPEED RAIL PROJECT**  
**PALMDALE TO BURBANK**  
ALIGNMENT "E1"  
ROADWAY PROFILE  
ROUTE 14 EB ON-RAMP

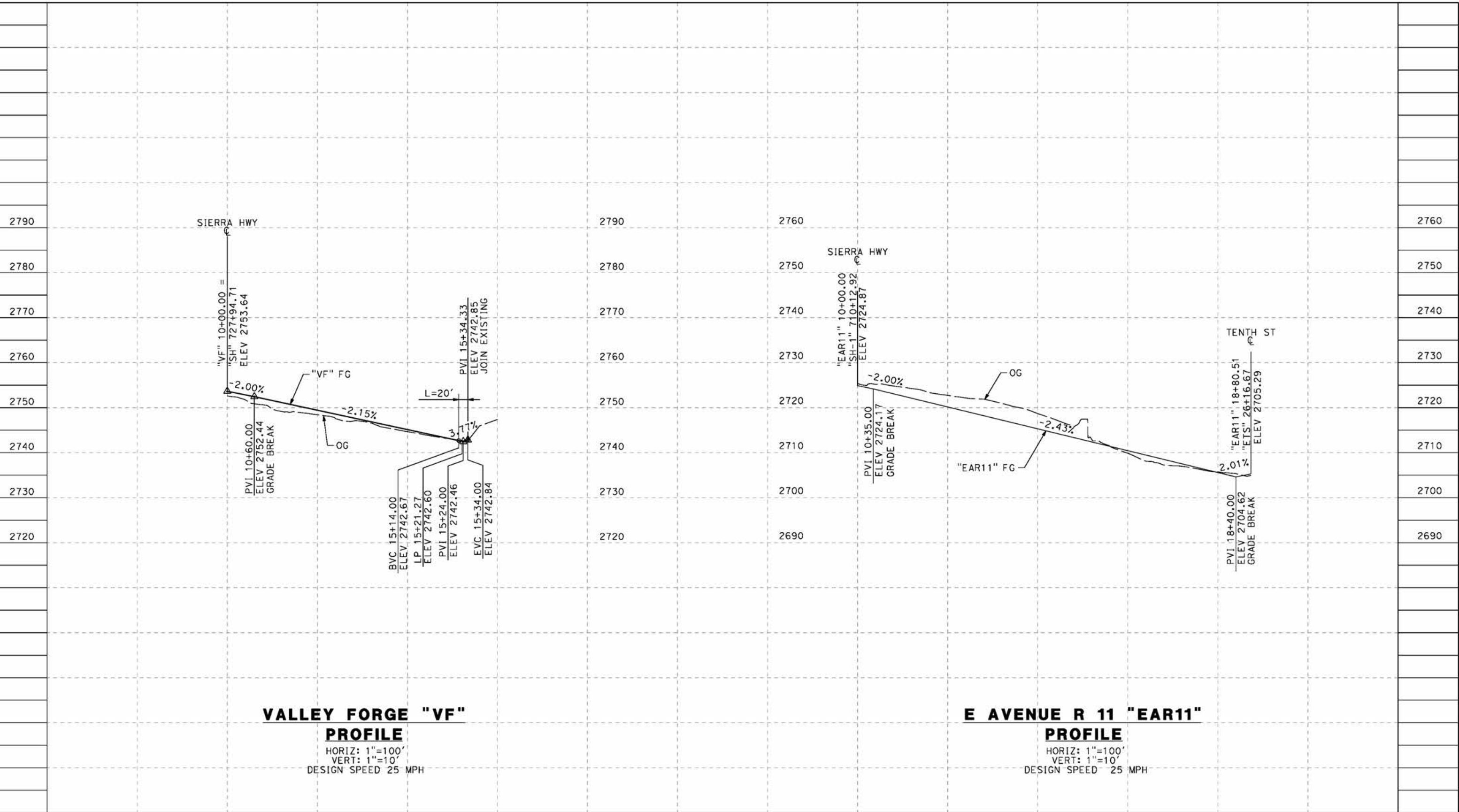
CONTRACT NO.  
HSR14-42  
DRAWING NO.  
CV-R1022-E1  
SCALE  
AS SHOWN  
SHEET NO.



ct:\pwworkingdir\sener-us-pw-bentley.com\_sener-us-pw-01\do\cordoba\dms24259\FB-CV-R1023-E1.dgn

5/23/2021 11:17:16 PM

cordo



STATION	10+00	12+00	14+00	16+00	18+00	TOTAL
Exc						
Emb						

REV	DATE	BY	CHK	APP	DESCRIPTION

DESIGNED BY  
J.C. ALAMILLA  
 DRAWN BY  
A. SANZ  
 CHECKED BY  
W. GUO  
 IN CHARGE  
A. RELANO  
 DATE  
04/30/2021

**PEPD RECORD SET  
REV 02**

**NOT FOR  
CONSTRUCTION**



**CALIFORNIA HIGH-SPEED RAIL PROJECT  
PALMDALE TO BURBANK**

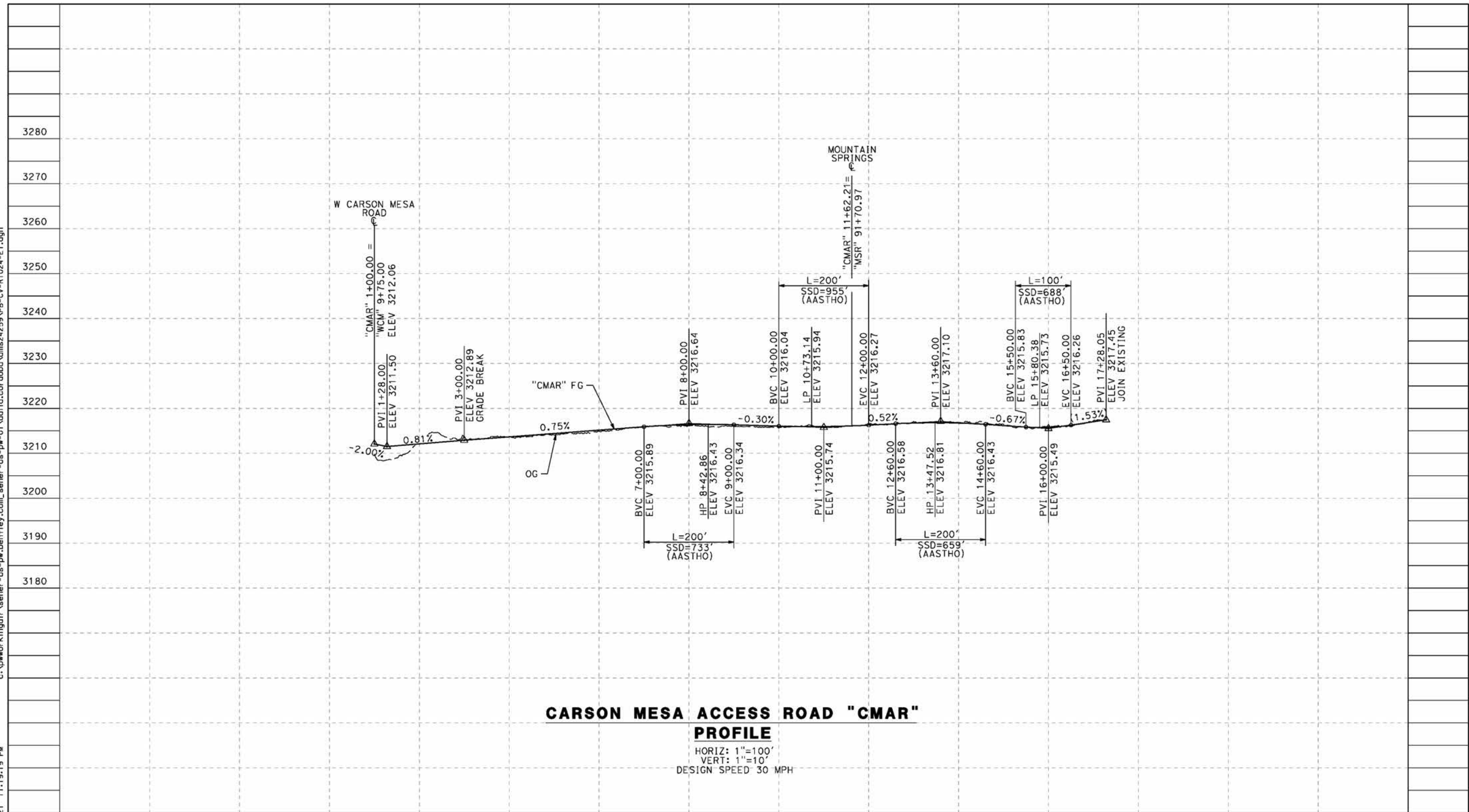
ALIGNMENT "E1"  
 ROADWAY PROFILE  
 VALLEY FORGE AND EAST AVENUE R 11

CONTRACT NO.  
HSR14-42  
 DRAWING NO.  
CV-R1023-E1  
 SCALE  
AS SHOWN  
 SHEET NO.

ct:\pwworkingdir\sener-us-pw-bentley.com\_sener-us-pw-01\do\fa\cordoba\dms24259\VPB-CV-R1024-E1.dgn

5/23/2021 11:19:19 PM

cordo



**CARSON MESA ACCESS ROAD "CMAR" PROFILE**

HORIZ: 1"=100'  
 VERT: 1"=10'  
 DESIGN SPEED 30 MPH

STATION	0+00	2+00	4+00	6+00	8+00	10+00	12+00	14+00	16+00	18+00	20+00	TOTAL
Exc												
Emb												

REV	DATE	BY	CHK	APP	DESCRIPTION

DESIGNED BY  
J.C. ALAMILLA  
 DRAWN BY  
A. SANZ  
 CHECKED BY  
W. GUO  
 IN CHARGE  
A. RELANO  
 DATE  
04/30/2021

**PEPD RECORD SET  
 REV 02  
 NOT FOR  
 CONSTRUCTION**



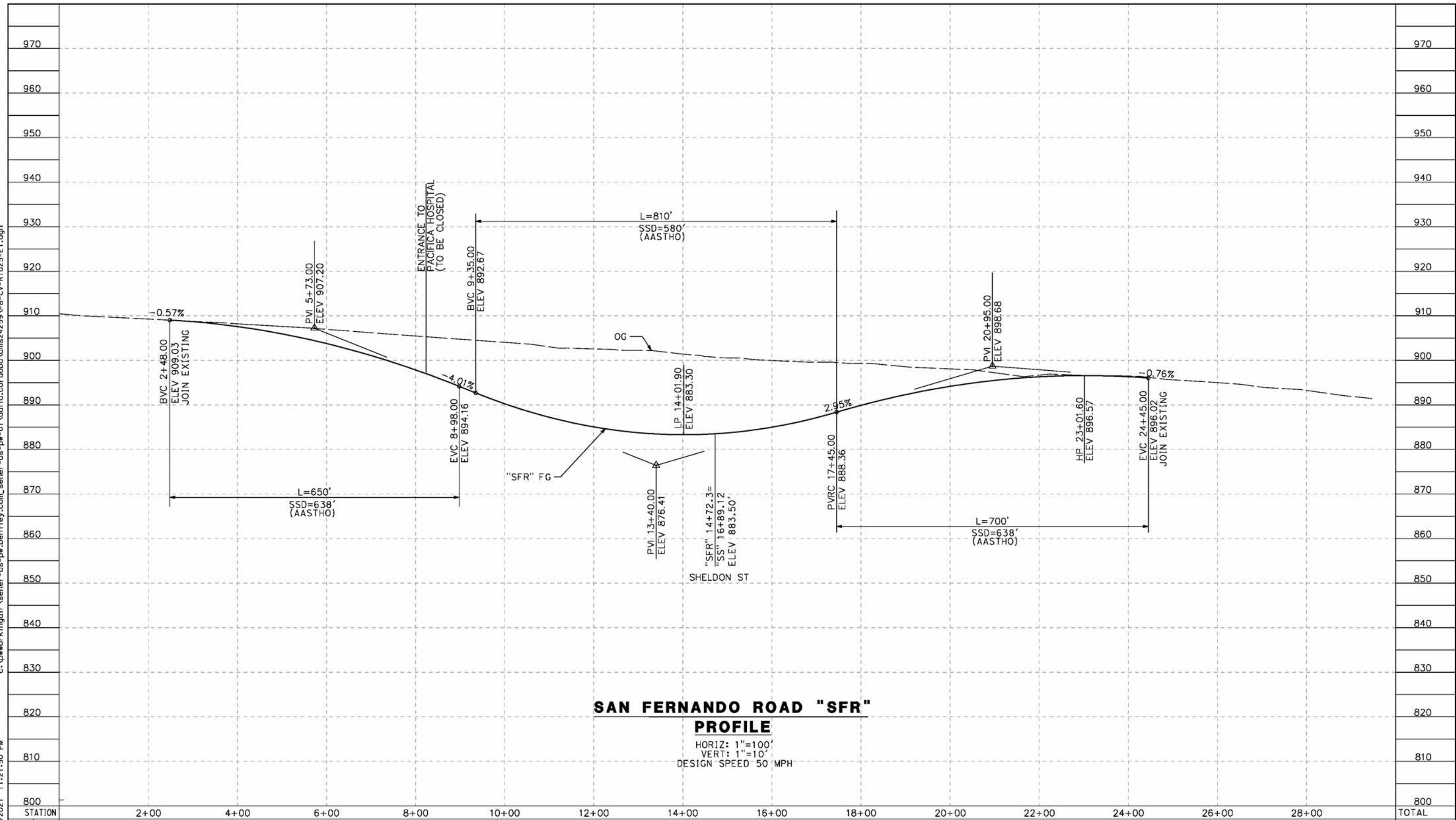
**CALIFORNIA HIGH-SPEED RAIL PROJECT  
 PALMDALE TO BURBANK**  
 ALIGNMENT "E1"  
 ROADWAY PROFILE  
 CARSON MESA ACCESS ROAD

CONTRACT NO.  
HSR14-42  
 DRAWING NO.  
CV-R1024-E1  
 SCALE  
AS SHOWN  
 SHEET NO.

ct:\pwworkingdir\sener-us-pw-bentley.com\_sener-us-pw-01\do\fa\cordoba\dms24259VPB-CV-R1025-E1.dgn

5/23/2021 11:21:50 PM

cordo



**SAN FERNANDO ROAD "SFR"**  
**PROFILE**  
 HORIZ: 1"=100'  
 VERT: 1"=10'  
 DESIGN SPEED 50 MPH

STATION	2+00	4+00	6+00	8+00	10+00	12+00	14+00	16+00	18+00	20+00	22+00	24+00	26+00	28+00	TOTAL
Exc															
Emb															

REV	DATE	BY	CHK	APP	DESCRIPTION

DESIGNED BY  
J.C. ALAMILLA  
 DRAWN BY  
A. SANZ  
 CHECKED BY  
W. GUO  
 IN CHARGE  
A. RELANO  
 DATE  
04/30/2021

**PEPD RECORD SET**  
**REV 02**  
**NOT FOR**  
**CONSTRUCTION**



**CALIFORNIA HIGH-SPEED RAIL PROJECT**  
**PALMDALE TO BURBANK**  
 ALIGNMENT "E1"  
 ROADWAY PROFILE  
 SAN FERNANDO ROAD "SFR"

CONTRACT NO. HSR14-42
DRAWING NO. CV-R1025-E1
SCALE AS SHOWN
SHEET NO.

ct:\pwworkingdir\sener-us-pw-bentley.com\_sener-us-pw-01\do\cordoba\dms24259\VPB-CV-R1026-E1.dgn

5/23/2021 11:25:15 PM

cordo



STATION	2+00	4+00	6+00	8+00	10+00	12+00	14+00	16+00	18+00	20+00	22+00	24+00	26+00	TOTAL
Exc														
Emb														

REV	DATE	BY	CHK	APP	DESCRIPTION

DESIGNED BY  
J.C. ALAMILLA  
 DRAWN BY  
A. SANZ  
 CHECKED BY  
W. GUO  
 IN CHARGE  
A. RELANO  
 DATE  
04/30/2021

**PEPD RECORD SET  
REV 02**  
  
**NOT FOR  
CONSTRUCTION**



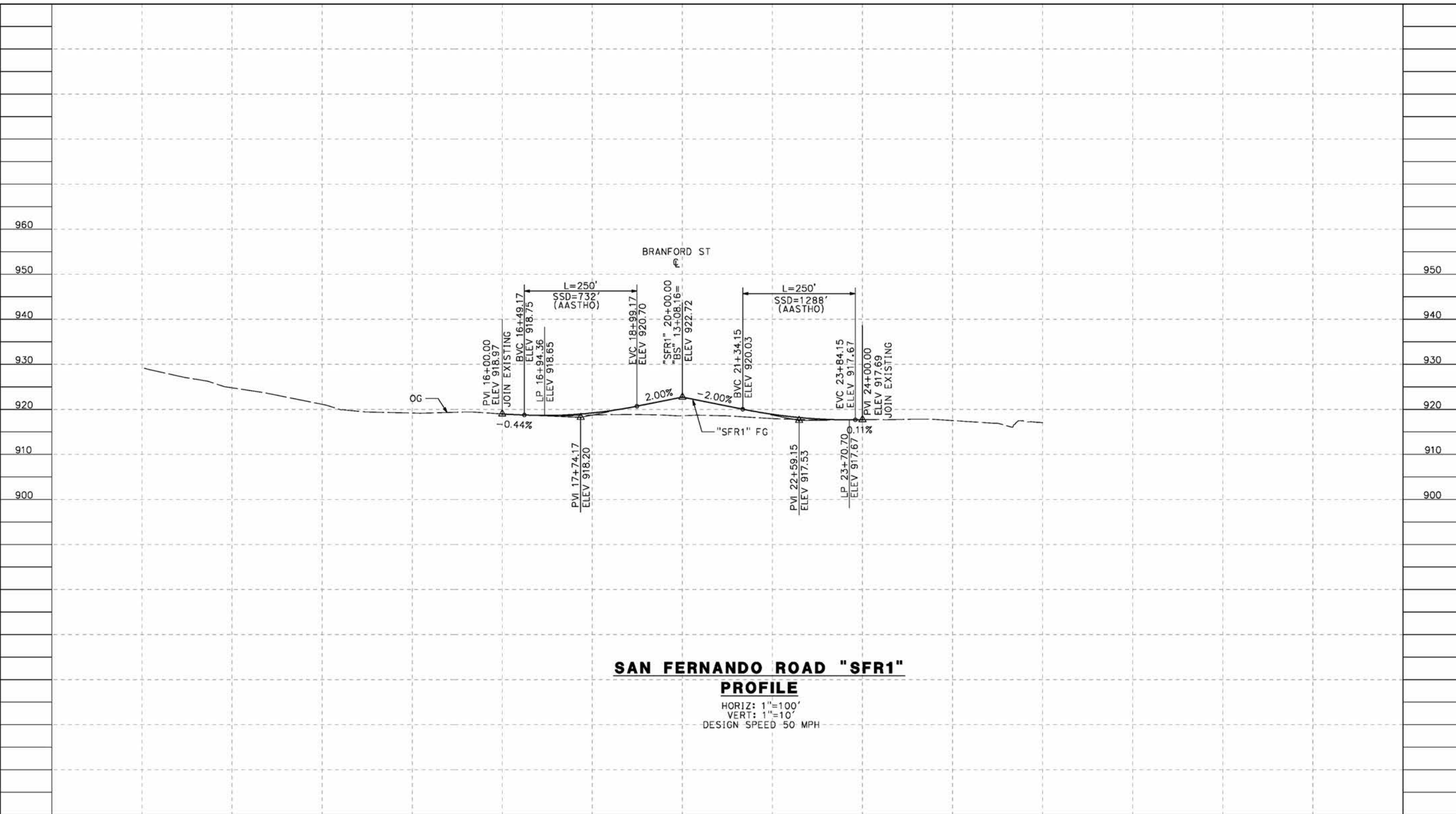
**CALIFORNIA HIGH-SPEED RAIL PROJECT  
PALMDALE TO BURBANK**  
 ALIGNMENT "E1"  
 ROADWAY PROFILE  
 SAN FERNANDO ROAD "SFB"

CONTRACT NO.  
HSR14-42  
 DRAWING NO.  
CV-R1026-E1  
 SCALE  
AS SHOWN  
 SHEET NO.

c:\pwworkingdir\sener-us-pw-bentley.com\_sener-us-pw-01\do\cordoba\dms24259\VPB-CV-R1027-E1.dgn

5/23/2021 11:29:15 PM

cordo



**SAN FERNANDO ROAD "SFR1"**  
**PROFILE**  
 HORIZ: 1"=100'  
 VERT: 1"=10'  
 DESIGN SPEED 50 MPH

STATION	14+00	16+00	18+00	20+00	22+00	24+00	26+00	28+00	TOTAL
Exc									
Emb									

DESIGNED BY  
J.C. ALAMILLA  
 DRAWN BY  
A. SANZ  
 CHECKED BY  
W. GUO  
 IN CHARGE  
A. RELANO  
 DATE  
04/30/2021

**PEPD RECORD SET**  
 REV 02  
**NOT FOR CONSTRUCTION**



**CALIFORNIA HIGH-SPEED RAIL PROJECT**  
**PALMDALE TO BURBANK**  
 ALIGNMENT "E1"  
 ROADWAY PROFILE  
 SAN FERNANDO ROAD "SFR1"

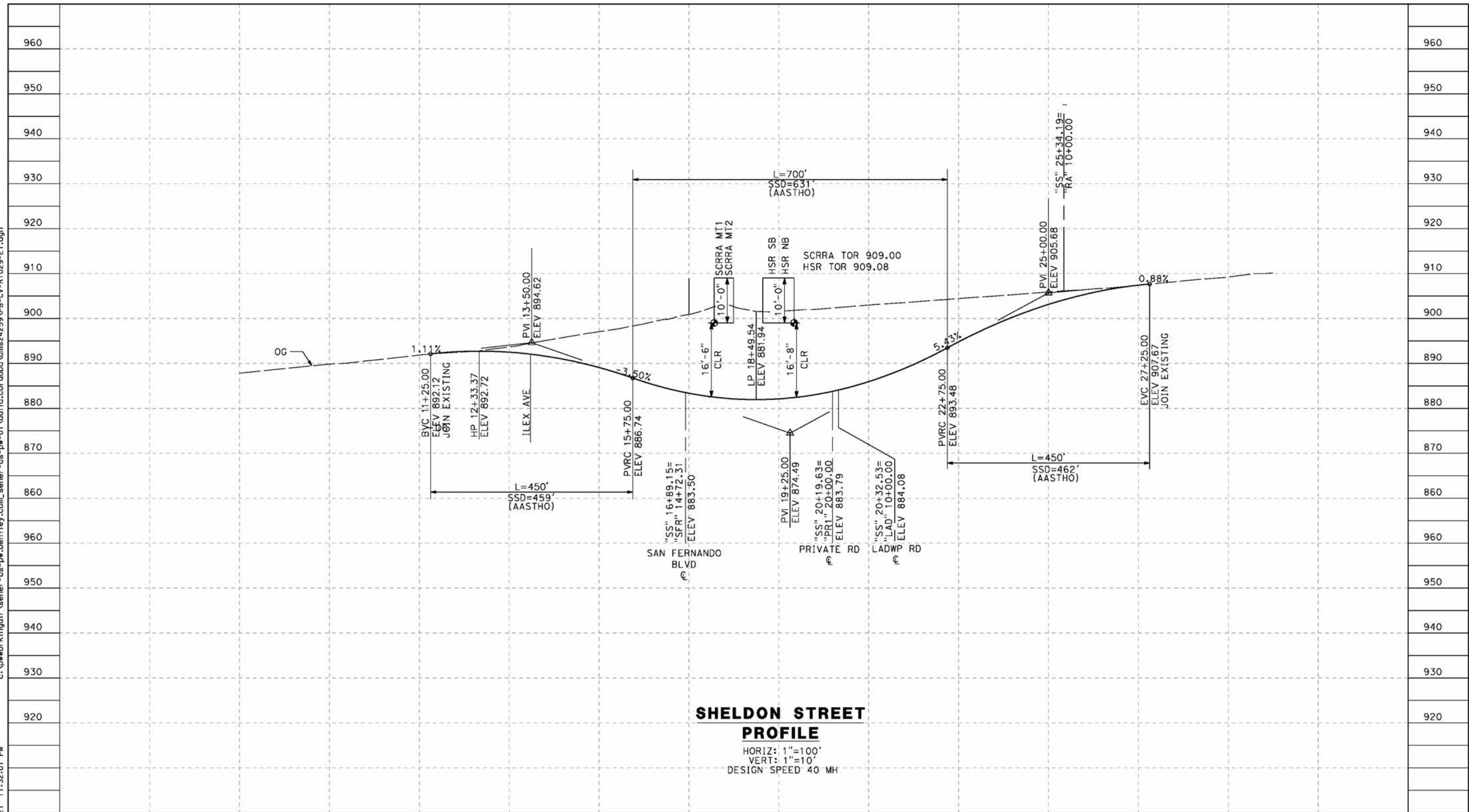
CONTRACT NO.  
HSR14-42  
 DRAWING NO.  
CV-R1027-E1  
 SCALE  
AS SHOWN  
 SHEET NO.

REV	DATE	BY	CHK	APP	DESCRIPTION

ct:\pwworkingdir\sener-us-pw-bentley.com\_sener-us-pw-01\do\cordoba\dms24259\VPB-CV-R1029-E1.dgn

5/23/2021 11:32:01 PM

cordo



**SHELDON STREET  
PROFILE**  
 HORIZ: 1"=100'  
 VERT: 1"=10'  
 DESIGN SPEED 40 MH

STATION	9+00	11+00	13+00	15+00	17+00	19+00	21+00	23+00	25+00	27+00	29+00	TOTAL
Exc												
Emb												

REV	DATE	BY	CHK	APP	DESCRIPTION
	04/30/2021				

DESIGNED BY  
J.C. ALAMILLA  
 DRAWN BY  
A. SANZ  
 CHECKED BY  
W. GUO  
 IN CHARGE  
A. RELANO  
 DATE  
04/30/2021

**PEPD RECORD SET  
REV 02  
NOT FOR  
CONSTRUCTION**



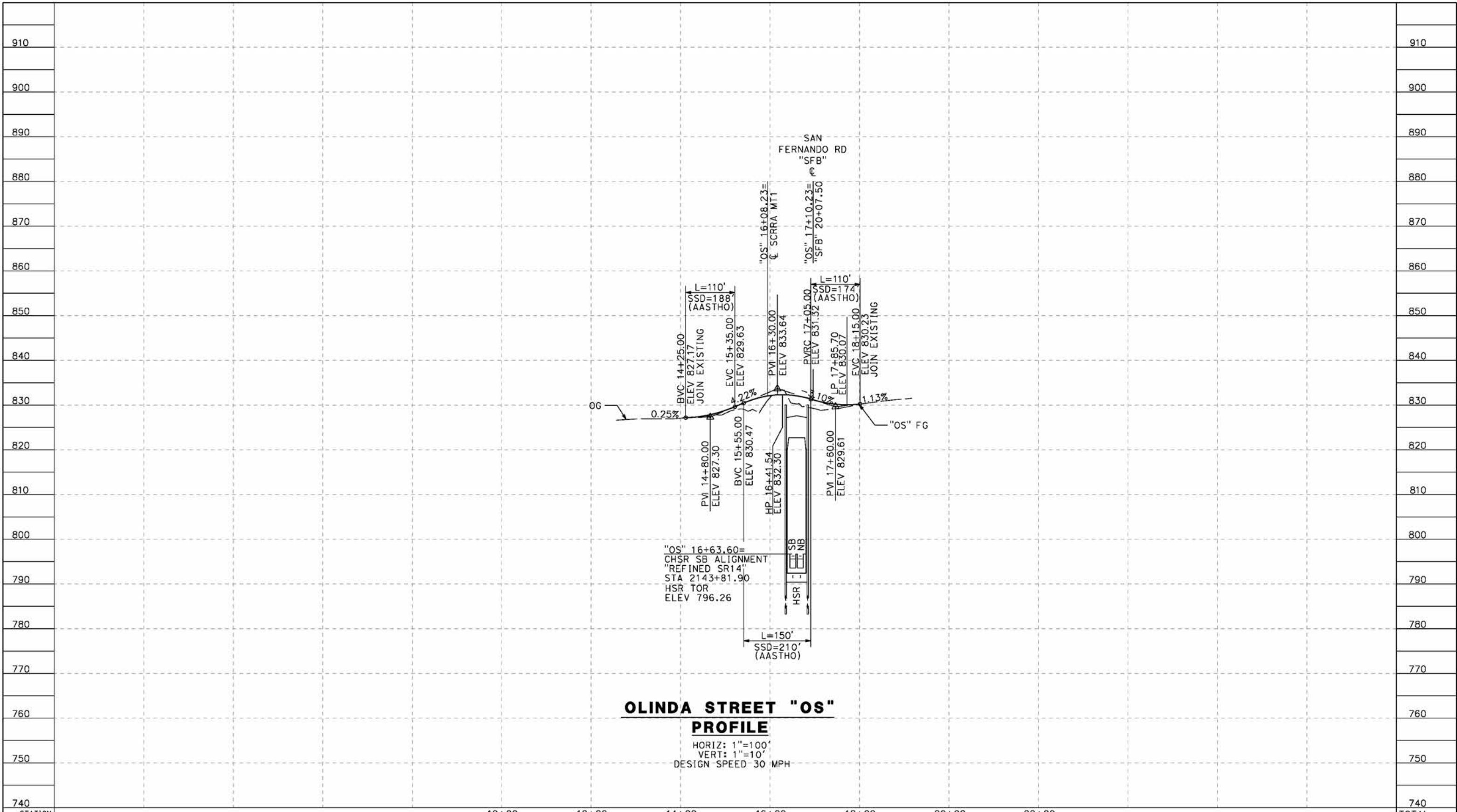
**CALIFORNIA HIGH-SPEED RAIL PROJECT  
PALMDALE TO BURBANK**  
 ALIGNMENT "E1"  
 ROADWAY PROFILE  
 SHELDON STREET

CONTRACT NO.  
HSR14-42  
 DRAWING NO.  
CV-R1029-E1  
 SCALE  
AS SHOWN  
 SHEET NO.

c:\pwworkingdir\sener-us-pw-bentley.com\_sener-us-pw-01\do\fa\cordoba\dms24259\VPB-CV-R1030-E1.dgn

5/23/2021 11:34:08 PM

cordo



**OLINDA STREET "OS"  
PROFILE**

HORIZ: 1"=100'  
VERT: 1"=10'  
DESIGN SPEED 30 MPH

STATION		10+00	12+00	14+00	16+00	18+00	20+00	22+00		TOTAL
CY	Exc									
	Emb									

REV	DATE	BY	CHK	APP	DESCRIPTION

DESIGNED BY  
J.C. ALAMILLA  
DRAWN BY  
A. SANZ  
CHECKED BY  
W. GUO  
IN CHARGE  
A. RELANO  
DATE  
04/30/2021

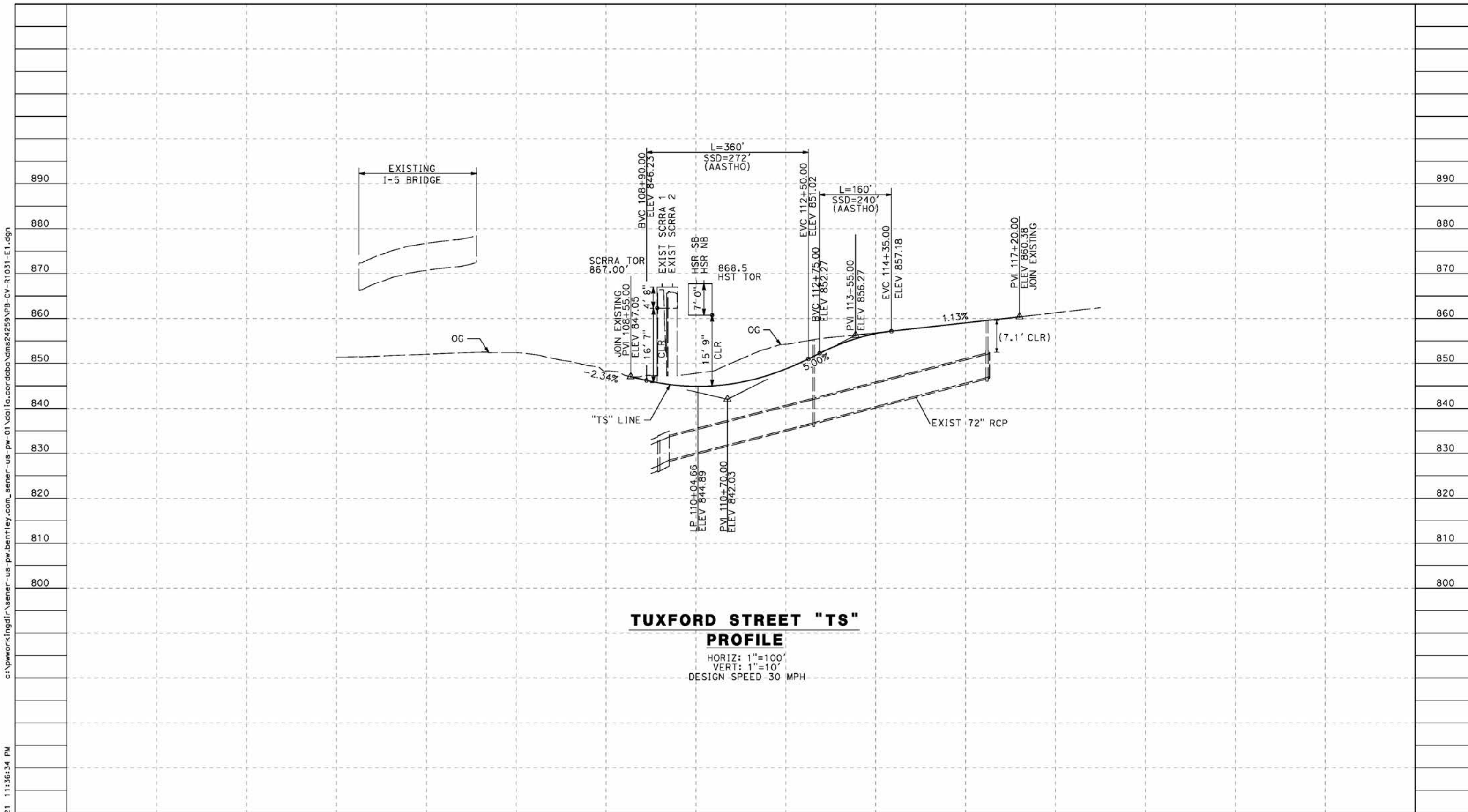
**PEPD RECORD SET  
REV 02  
  
NOT FOR  
CONSTRUCTION**



<b>CALIFORNIA HIGH-SPEED RAIL PROJECT PALMDALE TO BURBANK</b>		CONTRACT NO. HSR14-42
ALIGNMENT "E1" ROADWAY PROFILE OLINDA STREET		DRAWING NO. CV-R1030-E1
SCALE AS SHOWN		SHEET NO.

5/23/2021 11:36:34 PM c:\pwworkingdir\sener-us-pw-bentley.com\_sener-us-pw-01\do\fa\cordoba\dms24259\VPB-CV-R1031-E1.dgn

cordo



STATION	102+00	104+00	106+00	108+00	110+00	112+00	114+00	116+00	118+00	120+00	TOTAL
Exc											
Emb											

REV	DATE	BY	CHK	APP	DESCRIPTION

DESIGNED BY  
J.C. ALAMILLA  
 DRAWN BY  
A. SANZ  
 CHECKED BY  
W. GUO  
 IN CHARGE  
A. RELANO  
 DATE  
04/30/2021

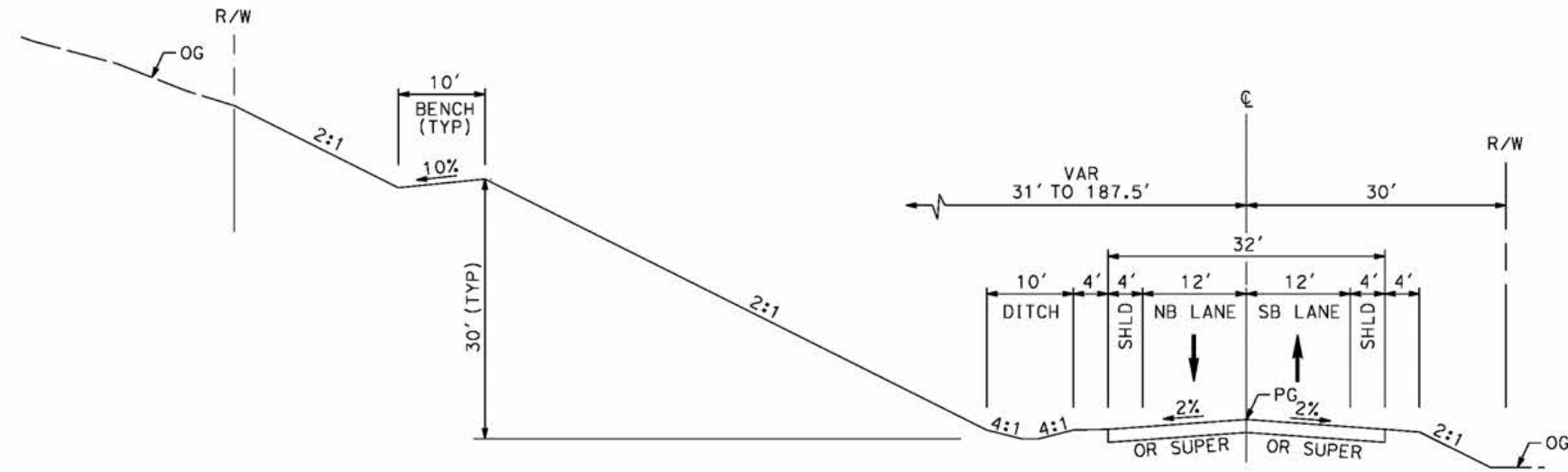
**PEPD RECORD SET  
REV 02**  
  
**NOT FOR  
CONSTRUCTION**



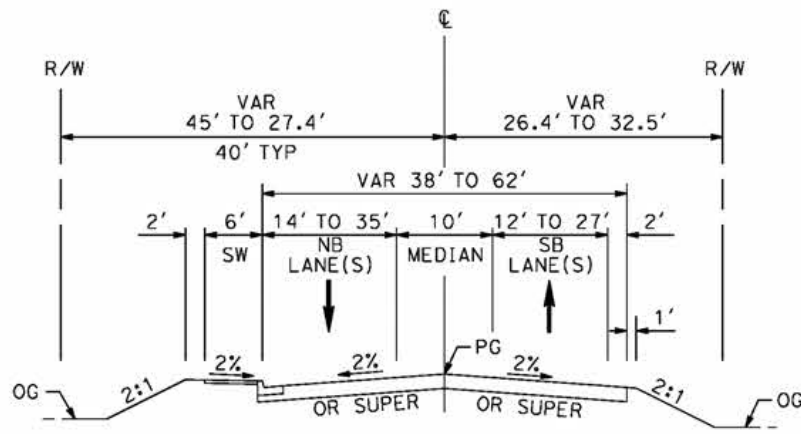
**CALIFORNIA HIGH-SPEED RAIL PROJECT  
PALMDALE TO BURBANK**  
 ALIGNMENT "E1"  
 ROADWAY PROFILE  
 TUXFORD STREET

CONTRACT NO.  
HSR14-42  
 DRAWING NO.  
CV-R1031-E1  
 SCALE  
AS SHOWN  
 SHEET NO.





**SIERRA HIGHWAY**  
 STA 728+50 TO 775+12  
 MAJOR ARTERIAL (B1)  
 PER CITY OF PALMDALE GENERAL PLAN



**SIERRA HIGHWAY**  
 STA 708+63 TO STA 728+50  
 MAJOR ARTERIAL (B1)  
 PER CITY OF PALMDALE GENERAL PLAN

c:\pwworkingdir\sener-us-pw-bentley.com\_sener-us-pw-01\dalifa.cordoba\dms24259VPB-cv-R3001-E1.dgn

4/27/2021 8:42:44 AM

cordo

REV	DATE	BY	CHK	APP	DESCRIPTION

DESIGNED BY  
**J.C. ALAMILLA**  
 DRAWN BY  
**A. SANZ**  
 CHECKED BY  
**W. GUO**  
 IN CHARGE  
**A. RELANO**  
 DATE  
**04/30/2021**

**PEPD RECORD SET**  
 REV 02  
**NOT FOR CONSTRUCTION**



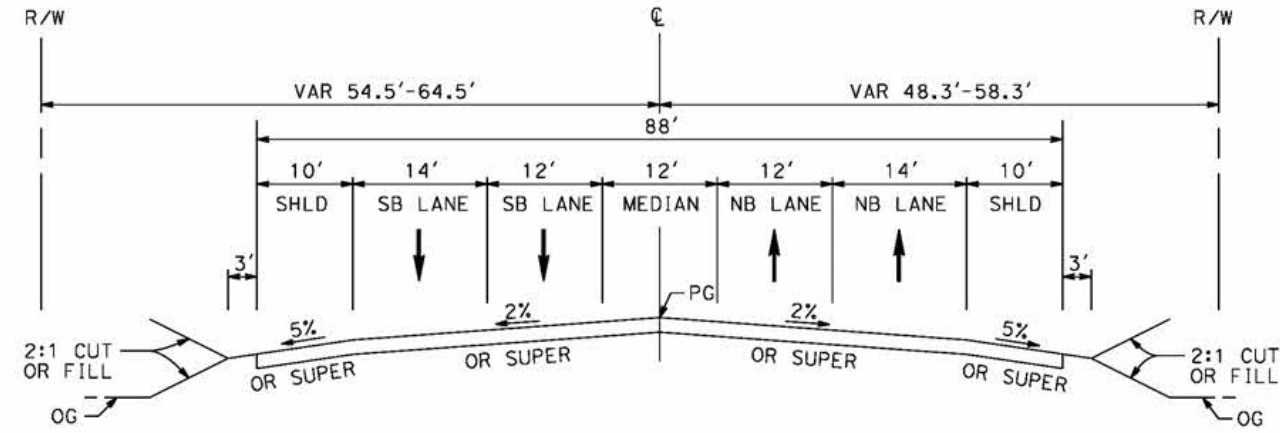
**CALIFORNIA HIGH-SPEED RAIL PROJECT**  
**PALMDALE TO BURBANK**  
 ALIGNMENT "E1"  
 TYPICAL SECTIONS  
 SIERRA HIGHWAY  
 SHEET 1 OF 2

CONTRACT NO.  
 HSR14-42  
 DRAWING NO.  
 CV-R3001-E1  
 SCALE  
 NO SCALE  
 SHEET NO.

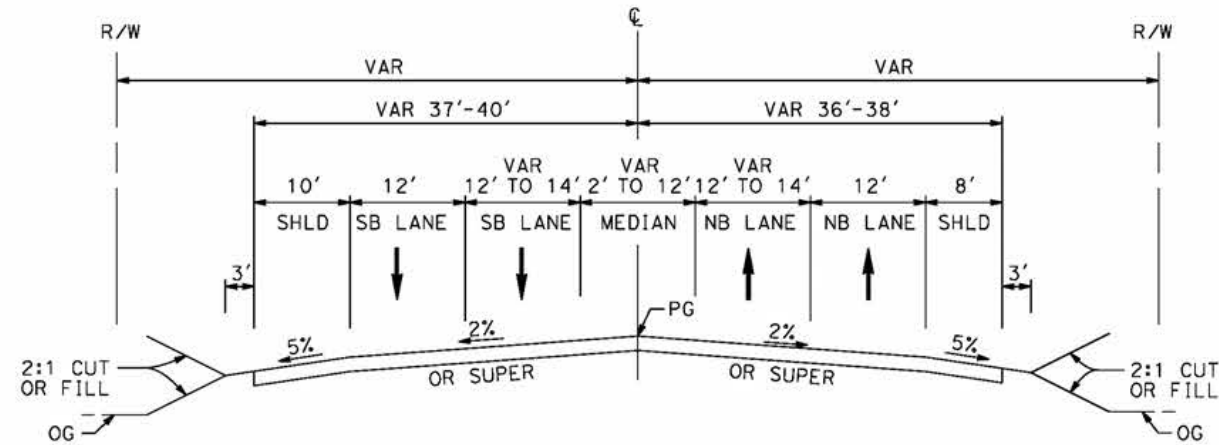
ct:\pwworkingdir\sener-us-pw-bentley.com\_sener-us-pw-01\dalifa.cordoba\dms24259VPB-CV-R3002-E1.dgn

4/27/2021 8:48:44 AM

cordo



**SIERRA HIGHWAY**  
 STA 8+00 TO STA 34+50  
 MAJOR HIGHWAY  
 PER LOS ANGELES COUNTY  
 MASTER PLAN OF HIGHWAYS



**SIERRA HIGHWAY**  
 STA 4+27 TO STA 8+00  
 MAJOR HIGHWAY  
 PER LOS ANGELES COUNTY  
 MASTER PLAN OF HIGHWAYS

REV	DATE	BY	CHK	APP	DESCRIPTION

DESIGNED BY  
**J.C. ALAMILLA**  
 DRAWN BY  
**A. SANZ**  
 CHECKED BY  
**W. GUO**  
 IN CHARGE  
**A. RELANO**  
 DATE  
**04/30/2021**

**PEPD RECORD SET**  
 REV 02  
**NOT FOR CONSTRUCTION**



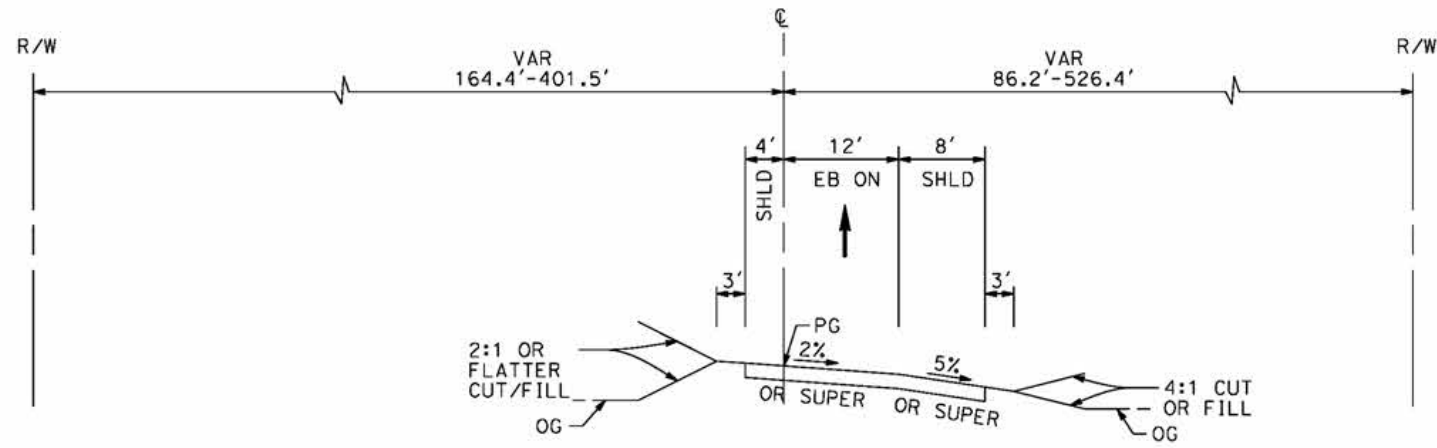
**CALIFORNIA HIGH-SPEED RAIL PROJECT**  
**PALMDALE TO BURBANK**  
 ALIGNMENT "E1"  
 TYPICAL SECTIONS  
 SIERRA HIGHWAY  
 SHEET 2 OF 2

CONTRACT NO.	HSR14-42
DRAWING NO.	CV-R3002-E1
SCALE	NO SCALE
SHEET NO.	

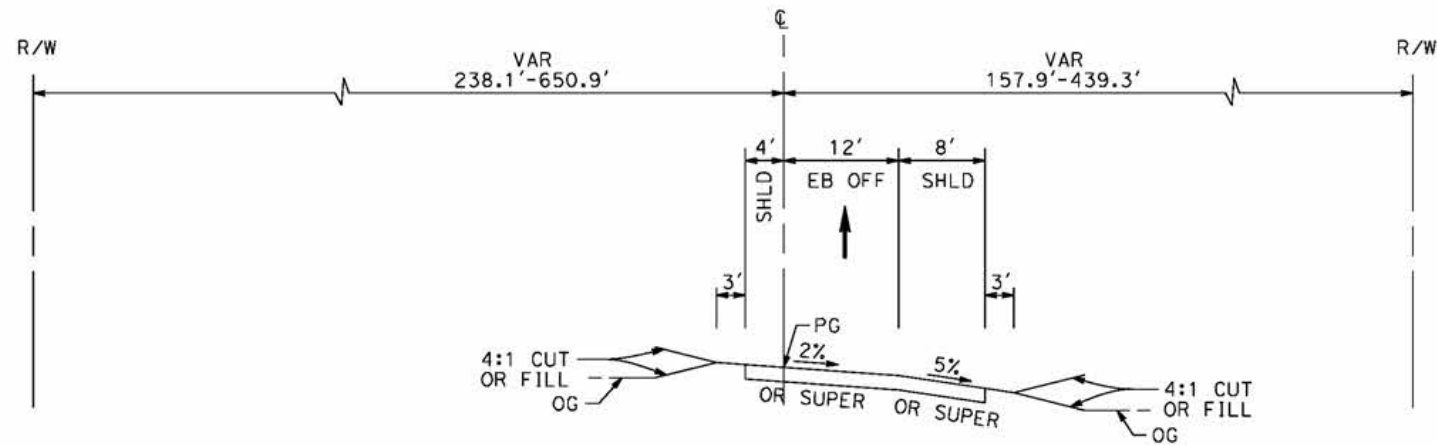
ct:\pwworkingdir\sener-us-pw-bentley.com\_sener-us-pw-01\do\fo\cordoba\dms24259\VPB-CV-R3003-E1.dgn

4/27/2021 8:52:05 AM

cordo



**ROUTE 14 EB ON-RAMP**  
STA 109+30 TO STA 122+25



**ROUTE 14 EB OFF-RAMP**  
STA 90+40 TO STA 108+68

REV	DATE	BY	CHK	APP	DESCRIPTION

DESIGNED BY  
**J.C. ALAMILLA**  
DRAWN BY  
**A. SANZ**  
CHECKED BY  
**W. GUO**  
IN CHARGE  
**A. RELANO**  
DATE  
**04/30/2021**

**PEPD RECORD SET**  
REV 02  
**NOT FOR CONSTRUCTION**



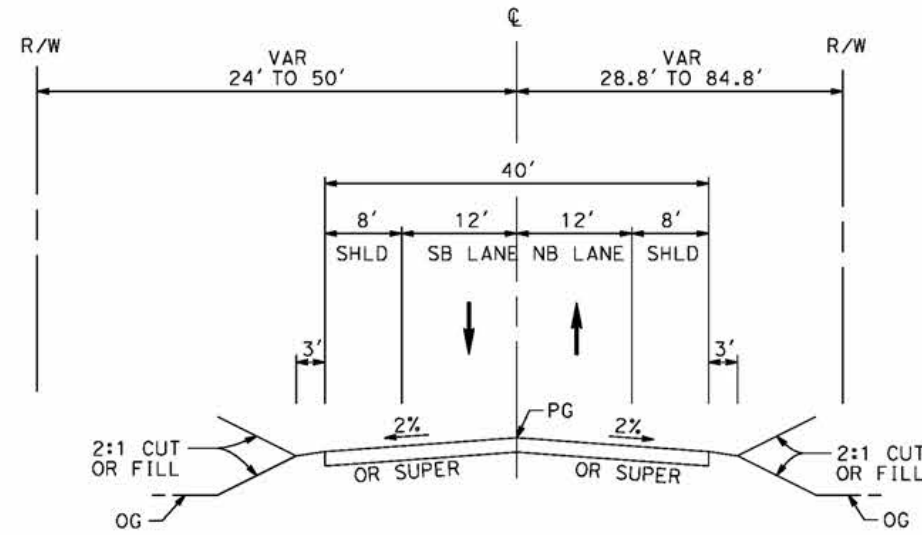
**CALIFORNIA HIGH-SPEED RAIL PROJECT**  
**PALMDALE TO BURBANK**  
ALIGNMENT "E1"  
TYPICAL SECTIONS  
ROUTE 14 EB ON-RAMP AND ROUTE 14 EB OFF-RAMP

CONTRACT NO.  
HSR14-42  
DRAWING NO.  
CV-R3003-E1  
SCALE  
NO SCALE  
SHEET NO.

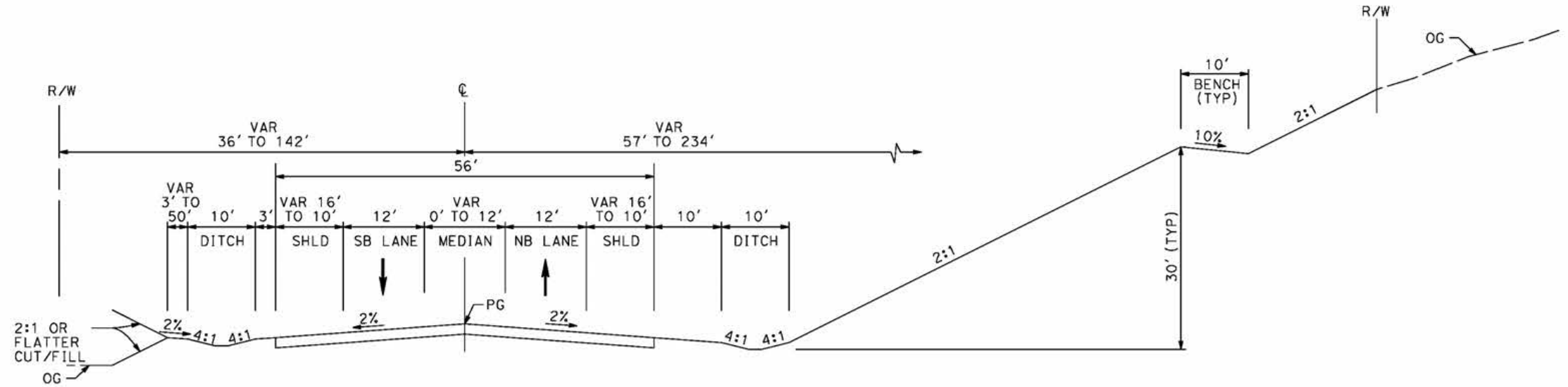
ct:\pwworkingdir\sener-us-pw-bentley.com\_sener-us-pw-01\dalifa.cordoba\dms24259\VPB-CV-R3004-E1.dgn

4/27/2021 8:53:52 AM

cordo



**SIERRA HIGHWAY**  
 STA 86+80 TO STA 114+66  
 MAJOR HIGHWAY  
 PER LOS ANGELES COUNTY  
 MASTER PLAN OF HIGHWAYS



**ANGELES FOREST HIGHWAY**  
 STA 1+33 TO STA 48+86  
 MAJOR HIGHWAY  
 PER LOS ANGELES COUNTY  
 MASTER PLAN OF HIGHWAYS

REV	DATE	BY	CHK	APP	DESCRIPTION

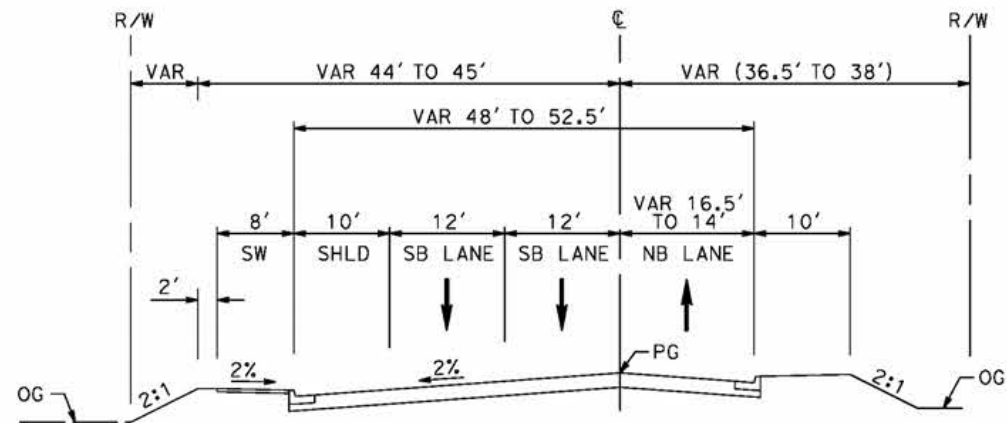
DESIGNED BY  
**J.C. ALAMILLA**  
 DRAWN BY  
**A. SANZ**  
 CHECKED BY  
**W. GUO**  
 IN CHARGE  
**A. RELANO**  
 DATE  
**04/30/2021**

**PEPD RECORD SET**  
 REV 02  
**NOT FOR CONSTRUCTION**

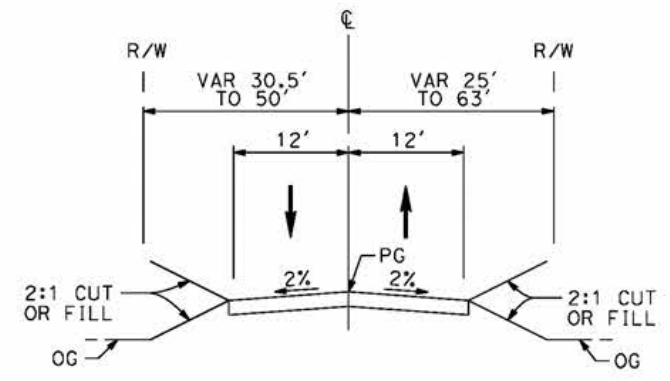


**CALIFORNIA HIGH-SPEED RAIL PROJECT**  
**PALMDALE TO BURBANK**  
 ALIGNMENT "E1"  
 TYPICAL SECTIONS  
 SIERRA HIGHWAY AND ANGELES FOREST HIGHWAY

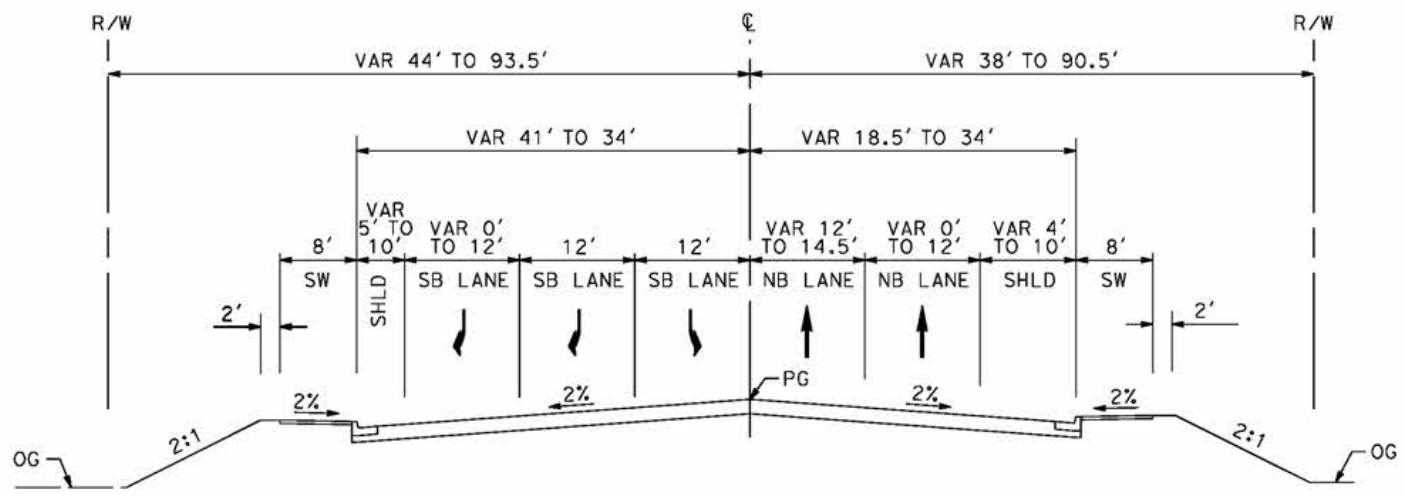
CONTRACT NO.  
 HSR14-42  
 DRAWING NO.  
 CV-R3004-E1  
 SCALE  
 NO SCALE  
 SHEET NO.



**EAST TENTH STREET**  
 STA 22+71 TO STA 32+38  
 SECONDARY ARTERIAL  
 PER CITY OF PALMDALE GENERAL PLAN



**WATER TREATMENT PLANT ACCESS RD 2**  
 STA 0+00 TO STA 8+00



**EAST TENTH STREET**  
 STA 10+49 TO STA 22+71  
 SECONDARY ARTERIAL  
 PER CITY OF PALMDALE GENERAL PLAN

c:\pwworkingdir\sener-us-pw-bentley.com\_sener-us-pw-01\do\fa\cordoba\dms24259\VPB-CV-R3005-E1.dgn

5/27/2021 6:12:31 AM

REV	DATE	BY	CHK	APP	DESCRIPTION

DESIGNED BY  
J.C. ALAMILLA  
 DRAWN BY  
A. SANZ  
 CHECKED BY  
W. GUO  
 IN CHARGE  
A. RELANO  
 DATE  
04/30/2021

**PEPD RECORD SET**  
 REV 02  
**NOT FOR CONSTRUCTION**



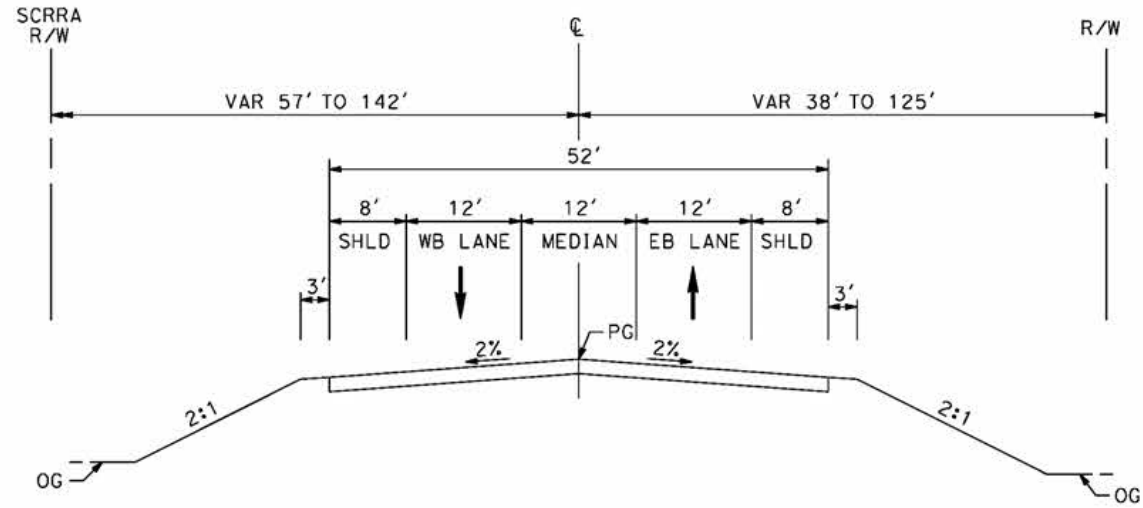
**CALIFORNIA HIGH-SPEED RAIL PROJECT**  
**PALMDALE TO BURBANK**  
 ALIGNMENT "E1"  
 TYPICAL SECTIONS  
 EAST TENTH STREET AND  
 WATER TREATMENT PLANT ACCESS RD 2

CONTRACT NO.	HSR14-42
DRAWING NO.	CV-R3005-E1
SCALE	NO SCALE
SHEET NO.	

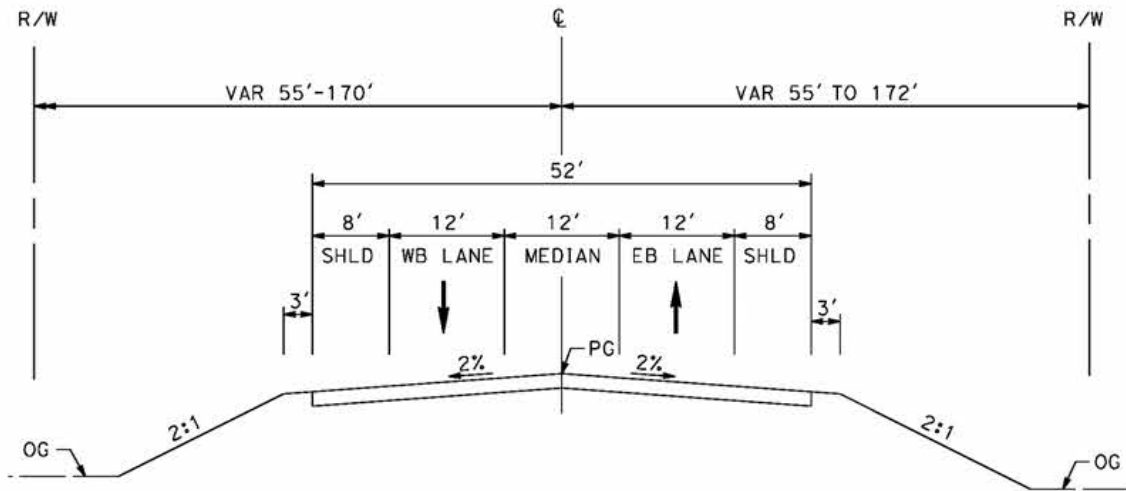
ct:\pwworkingdir\sener-us-pw-bentley.com\_sener-us-pw-01\dalifa.cordoba\dms24259\VPB-CV-R3006-E1.dgn

5/23/2021 11:38:40 PM

cordo



**W CARSON MESA ROAD**  
 STA 8+50 TO STA 20+00  
 LOCAL ROADWAY  
 PER LOS ANGELES COUNTY MUNICIPAL CODE  
 CHAPTER 21 PARTS 2 AND 3



**MOUNTAIN SPRINGS ROAD**  
 STA 85+88 TO STA 98+94  
 COLLECTOR STREET  
 PER LOS ANGELES COUNTY MUNICIPAL CODE  
 CHAPTER 21 PARTS 2 AND 3

REV	DATE	BY	CHK	APP	DESCRIPTION

DESIGNED BY  
J.C. ALAMILLA  
 DRAWN BY  
A. SANZ  
 CHECKED BY  
W. GUO  
 IN CHARGE  
A. RELANO  
 DATE  
04/30/2021

**PEPD RECORD SET**  
 REV 02  
**NOT FOR CONSTRUCTION**



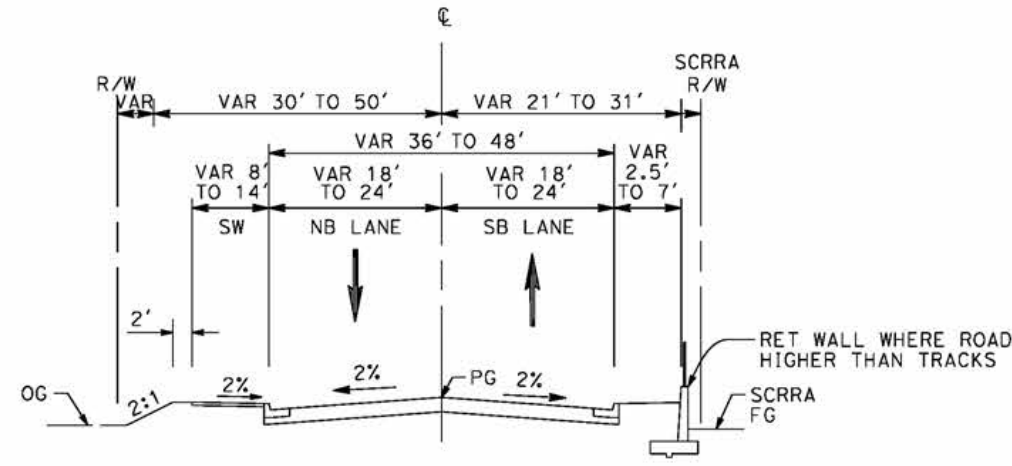
**CALIFORNIA HIGH-SPEED RAIL PROJECT**  
**PALMDALE TO BURBANK**  
 ALIGNMENT "E1"  
 TYPICAL SECTIONS  
 W CARSON MESA ROAD AND MOUNTAIN SPRINGS RD

CONTRACT NO.  
HSR14-42  
 DRAWING NO.  
CV-R3006-E1  
 SCALE  
NO SCALE  
 SHEET NO.

ct:\pwworkingdir\sener-us-pw-bentley.com\_sener-us-pw-01\dalifa.cordoba\dms24259\VPB-CV-R3009-E1.dgn

4/27/2021 8:59:14 AM

cordo



**SAN FERNANDO ROAD AT BRANDFORD**  
 STA 16+00 TO STA 24+00

REV	DATE	BY	CHK	APP	DESCRIPTION

DESIGNED BY  
**J.C. ALAMILLA**  
 DRAWN BY  
**A. SANZ**  
 CHECKED BY  
**W. GUO**  
 IN CHARGE  
**A. RELANO**  
 DATE  
**04/30/2021**

**PEPD RECORD SET**  
**REV 02**  
**NOT FOR CONSTRUCTION**



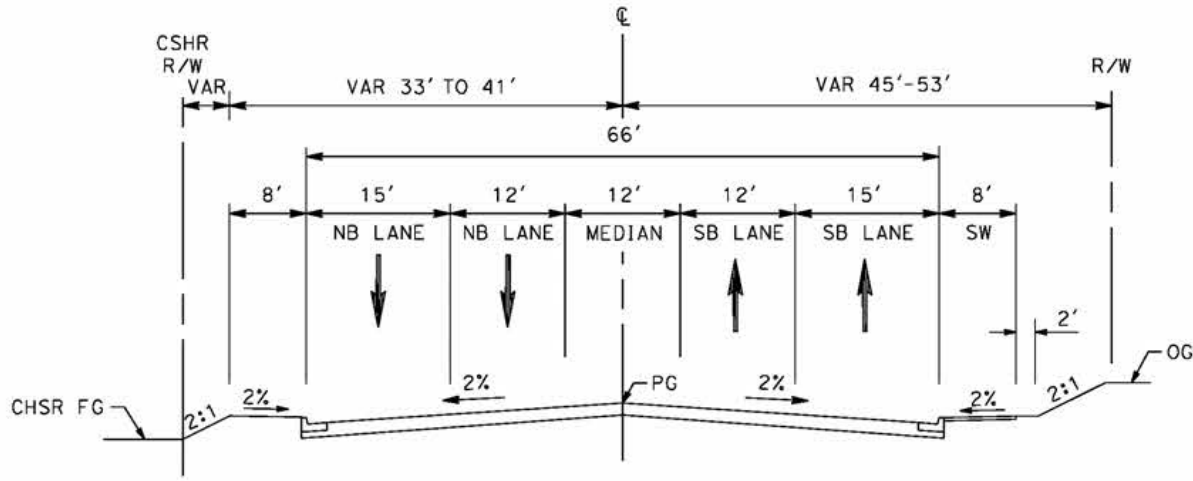
**CALIFORNIA HIGH-SPEED RAIL PROJECT**  
**PALMDALE TO BURBANK**  
 ALIGNMENT "E1"  
 TYPICAL SECTIONS  
 SAN FERNANDO ROAD  
 SHEET 1 OF 2

CONTRACT NO.  
 HSR14-42  
 DRAWING NO.  
 CV-R3009-E1  
 SCALE  
 NO SCALE  
 SHEET NO.

ct:\pwworkingdir\sener-us-pw-bentley.com\_sener-us-pw-01\dalifa.cordoba\dms24259\VPB-CV-R3010-E1.dgn

4/27/2021 9:01:58 AM

cordo



**SAN FERNANDO ROAD AT SHELDON**  
STA 2+48 TO STA 24+00

REV	DATE	BY	CHK	APP	DESCRIPTION

DESIGNED BY  
**J.C. ALAMILLA**  
DRAWN BY  
**A. SANZ**  
CHECKED BY  
**W. GUO**  
IN CHARGE  
**A. RELANO**  
DATE  
**04/30/2021**

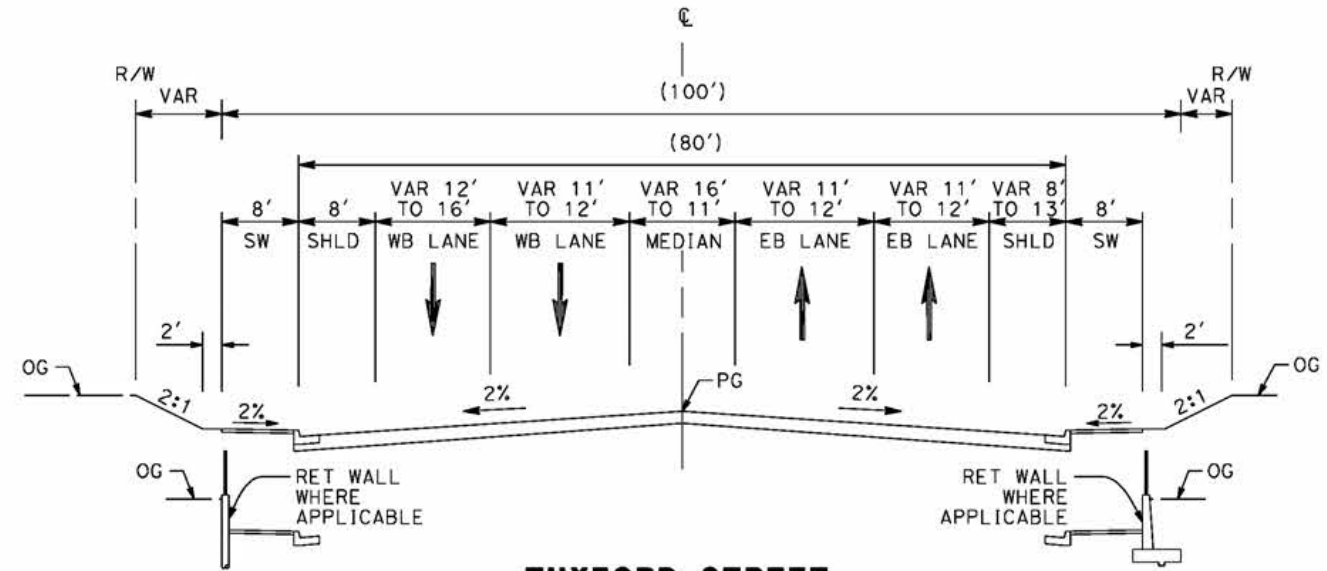
**PEPD RECORD SET**  
**REV 02**  
**NOT FOR CONSTRUCTION**



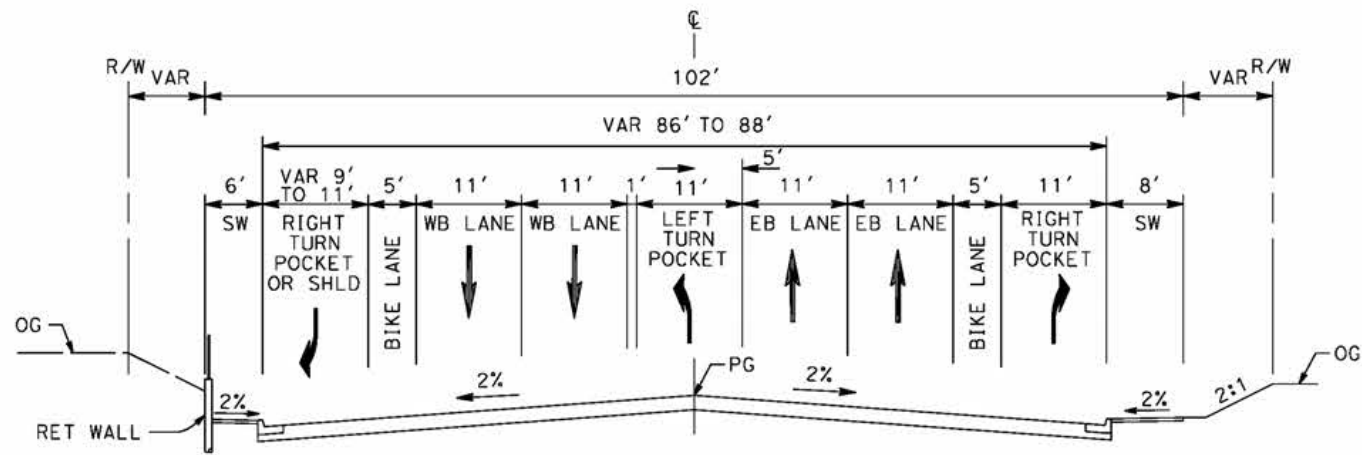
**CALIFORNIA HIGH-SPEED RAIL PROJECT**  
**PALMDALE TO BURBANK**  
ALIGNMENT "E1"  
TYPICAL SECTIONS  
SAN FERNANDO ROAD  
SHEET 2 OF 2

CONTRACT NO.  
HSR14-42  
DRAWING NO.  
CV-R3010-E1  
SCALE  
NO SCALE  
SHEET NO.





**TUXFORD STREET**  
 STA 108+33 TO STA 117+00  
 BOULEVARD II (MAJOR HIGHWAY CLASS II)  
 PER CITY OF LOS ANGELES GENERAL PLAN 2035



**TUXFORD STREET**  
 STA 105+00 TO STA 108+33  
 BOULEVARD II (MAJOR HIGHWAY CLASS II)  
 PER CITY OF LOS ANGELES GENERAL PLAN 2035

c:\pwworkingdir\sener-us-pw-bentley.com\_sener-us-pw-01\dalifa.cordoba\dms24259VPB-CV-R3011-E1.dgn

4/27/2021 9:41:02 AM

cordo

REV	DATE	BY	CHK	APP	DESCRIPTION

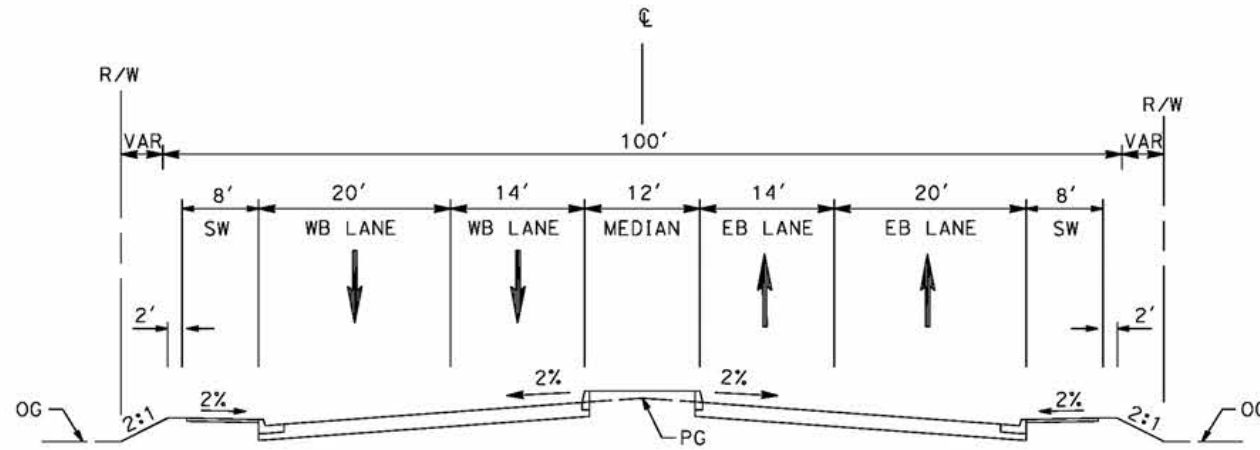
DESIGNED BY  
**J.C. ALAMILLA**  
 DRAWN BY  
**A. SANZ**  
 CHECKED BY  
**W. GUO**  
 IN CHARGE  
**A. RELANO**  
 DATE  
**04/30/2021**

**PEPD RECORD SET**  
 REV 02  
**NOT FOR CONSTRUCTION**

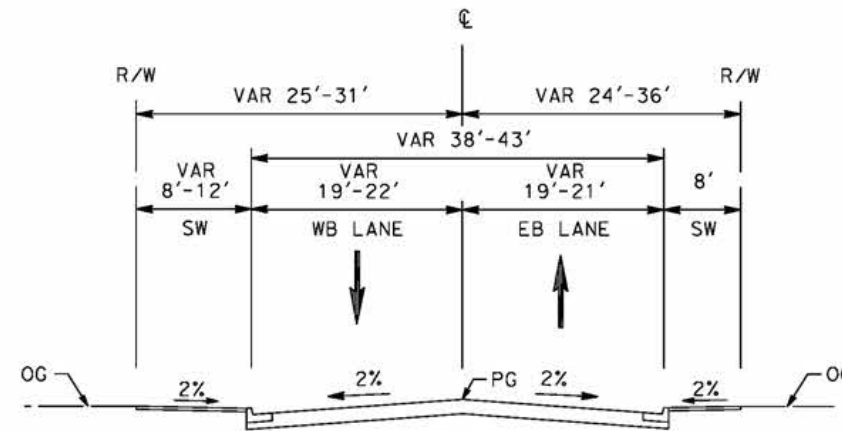


**CALIFORNIA HIGH-SPEED RAIL PROJECT**  
**PALMDALE TO BURBANK**  
 ALIGNMENT "E1"  
 TYPICAL SECTIONS  
 TUXFORD STREET

CONTRACT NO.  
HSR14-42  
 DRAWING NO.  
CV-R3011-E1  
 SCALE  
NO SCALE  
 SHEET NO.



**OLINDA STREET**  
 STA 15+00 TO STA 17+50  
 COLLECTOR STREET  
 PER CITY OF LOS ANGELES GENERAL PLAN 2035



**OLINDA STREET**  
 STA 13+50 TO STA 15+00  
 AND STA 17+50 TO STA 18+20  
 COLLECTOR STREET  
 PER CITY OF LOS ANGELES GENERAL PLAN 2035

c:\pwworkingdir\sener-us-pw-bentley.com\_sener-us-pw-01\do\fa\cordoba\dms24259\VPB-CV-R3012-E1.dgn

4/27/2021 9:44:59 AM

cordo

REV	DATE	BY	CHK	APP	DESCRIPTION

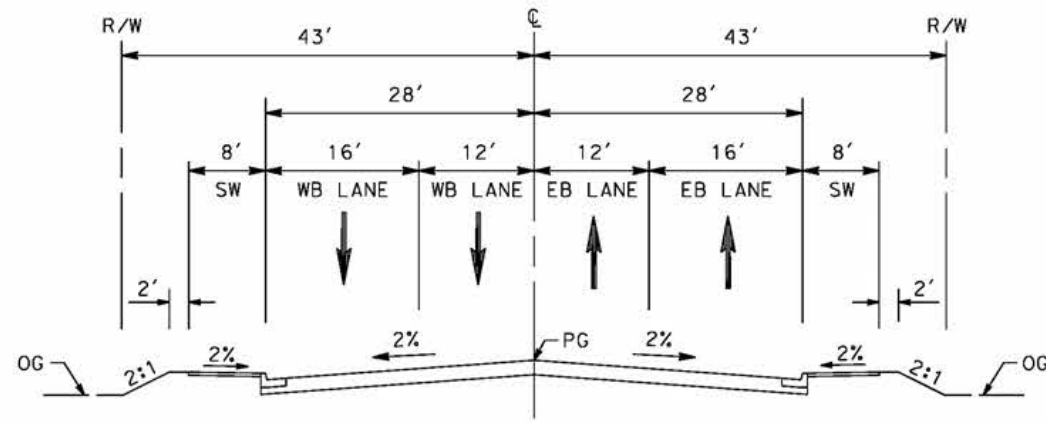
DESIGNED BY  
**J.C. ALAMILLA**  
 DRAWN BY  
**A. SANZ**  
 CHECKED BY  
**W. GUO**  
 IN CHARGE  
**A. RELANO**  
 DATE  
**04/30/2021**

**PEPD RECORD SET**  
 REV 02  
**NOT FOR CONSTRUCTION**

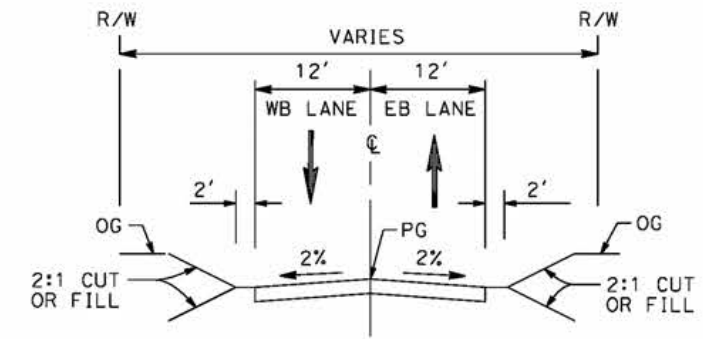


**CALIFORNIA HIGH-SPEED RAIL PROJECT**  
**PALMDALE TO BURBANK**  
 ALIGNMENT "E1"  
 TYPICAL SECTIONS  
 OLINDA STREET

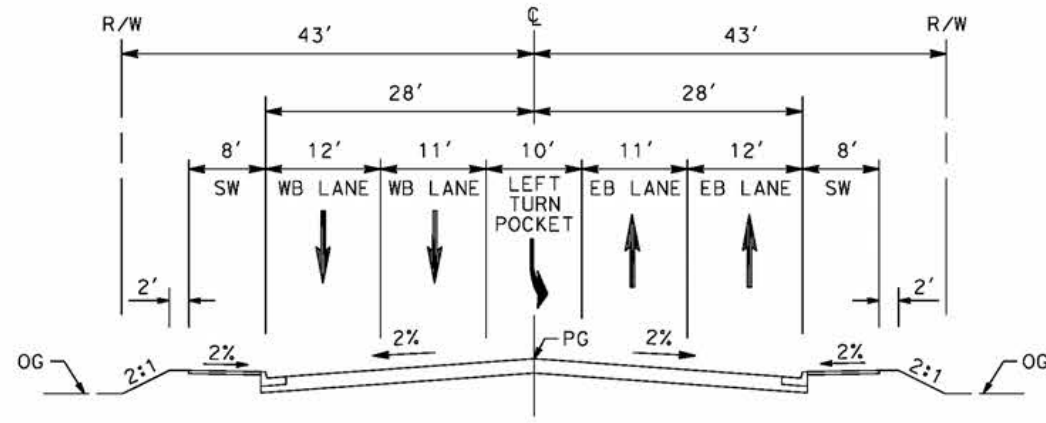
CONTRACT NO.  
HSR14-42  
 DRAWING NO.  
CV-R3012-E1  
 SCALE  
NO SCALE  
 SHEET NO.



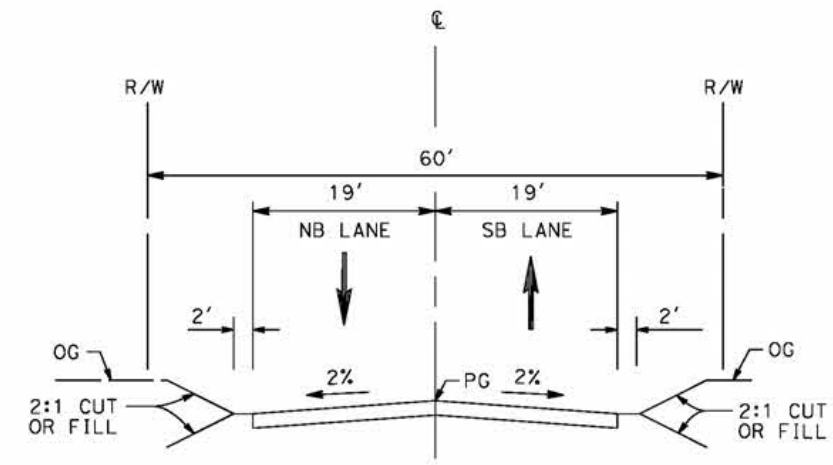
**BRANFORD STREET**  
 STA 14+51 TO STA 25+80  
 AVENUE II (SECONDARY HIGHWAY)  
 PER CITY OF LOS ANGELES GENERAL PLAN 2035



**ACCESS ROAD**  
 STA 1+00 TO STA 16+00  
 LOCAL STREET  
 PER CITY OF LOS ANGELES GENERAL PLAN 2035



**BRANFORD STREET**  
 STA 13+34 TO STA 15+00  
 AVENUE II (SECONDARY HIGHWAY)  
 PER CITY OF LOS ANGELES GENERAL PLAN 2035



**RALSTON AVENUE**  
 STA 10+31 TO STA 24+34  
 LOCAL STREET  
 PER CITY OF LOS ANGELES GENERAL PLAN 2035

c:\pwworkingdir\sener-us-pw-bentley.com\_sener-us-pw-01\do\fa\cordoba\dms24259\VPB-CV-R3013-E1.dgn

4/27/2021 9:47:20 AM

cordo

REV	DATE	BY	CHK	APP	DESCRIPTION

DESIGNED BY  
**J.C. ALAMILLA**  
 DRAWN BY  
**A. SANZ**  
 CHECKED BY  
**W. GUO**  
 IN CHARGE  
**A. RELANO**  
 DATE  
**04/30/2021**

**PEPD RECORD SET**  
 REV 02  
**NOT FOR CONSTRUCTION**



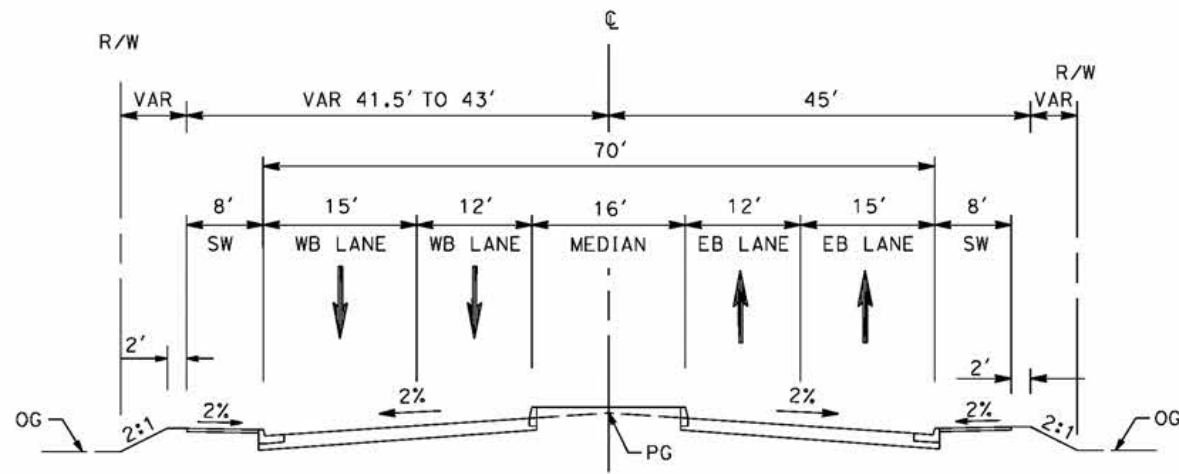
**CALIFORNIA HIGH-SPEED RAIL PROJECT**  
**PALMDALE TO BURBANK**  
 ALIGNMENT "E1"  
 TYPICAL SECTIONS  
 BRANFORD ST, RALSTON AVE AND ACCESS RD

CONTRACT NO.  
 HSR14-42  
 DRAWING NO.  
 CV-R3013-E1  
 SCALE  
 NO SCALE  
 SHEET NO.

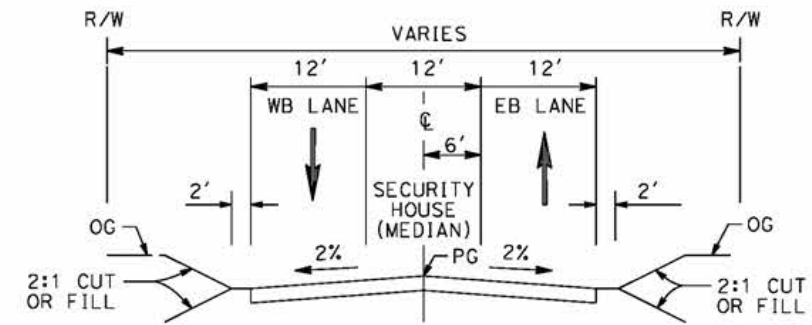
ct:\pwworkingdir\sener-us-pw-bentley.com\_sener-us-pw-01\dalifo.cordoba\dms24259VPB-cv-R3014-E1.dgn

4/27/2021 9:49:50 AM

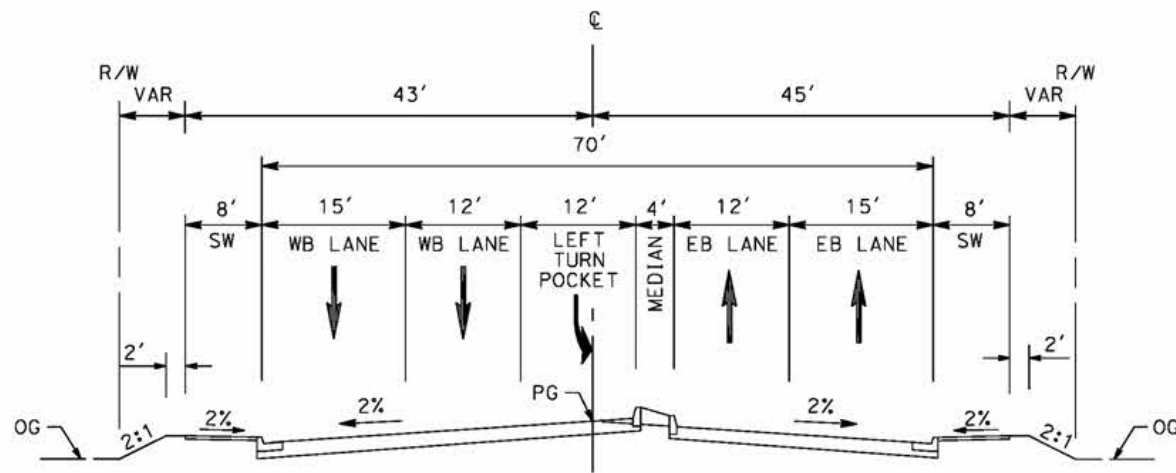
cordo



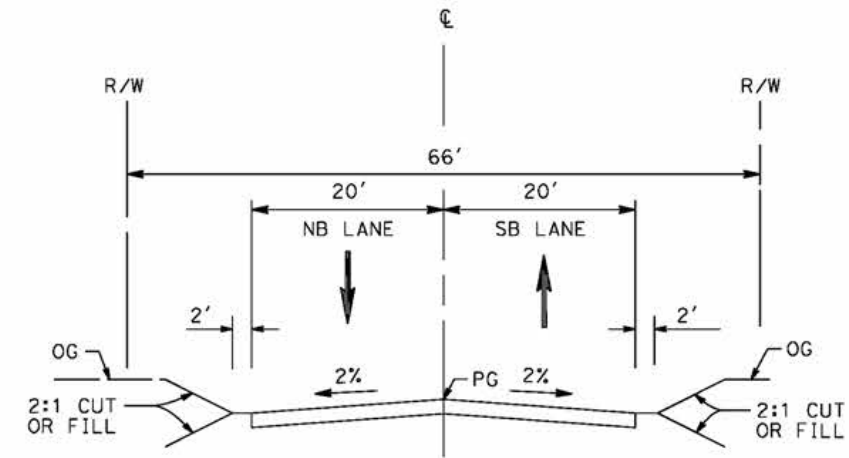
**SHELDON STREET**  
 STA 10+25 TO STA 12+70  
 AVENUE II (SECONDARY HIGHWAY)  
 PER CITY OF LOS ANGELES GENERAL PLAN 2035



**LADWP ROAD**  
 STA 1+00 TO STA 10+00



**SHELDON STREET**  
 STA 8+88 TO STA 10+25  
 AVENUE II (SECONDARY HIGHWAY)  
 PER CITY OF LOS ANGELES GENERAL PLAN 2035



**PRIVATE ROAD 1**  
 STA 12+64 TO STA 27+24

REV	DATE	BY	CHK	APP	DESCRIPTION

DESIGNED BY  
**J.C. ALAMILLA**  
 DRAWN BY  
**A. SANZ**  
 CHECKED BY  
**W. GUO**  
 IN CHARGE  
**A. RELANO**  
 DATE  
**04/30/2021**

**PEPD RECORD SET**  
 REV 02  
**NOT FOR CONSTRUCTION**



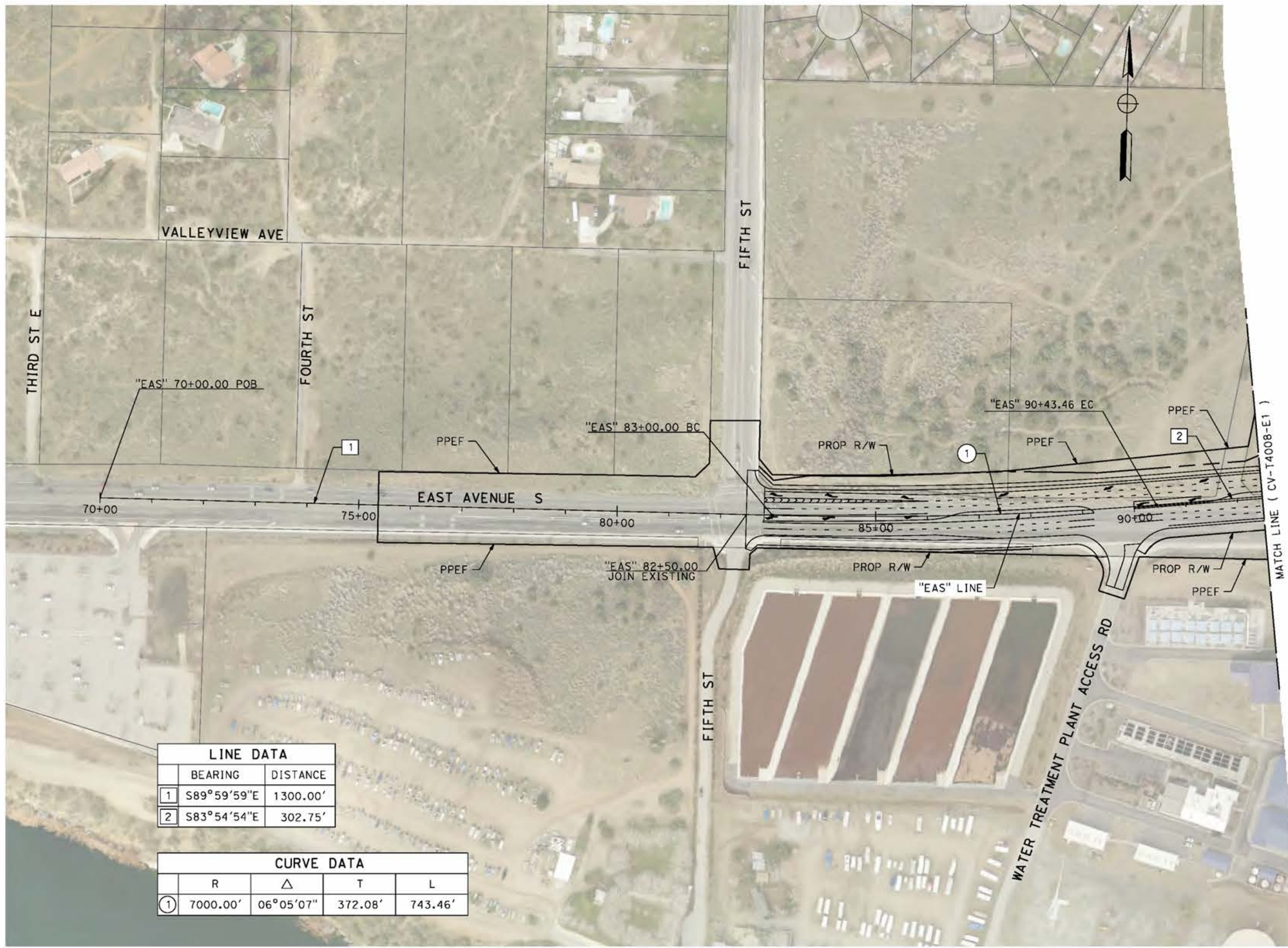
**CALIFORNIA HIGH-SPEED RAIL PROJECT**  
**PALMDALE TO BURBANK**  
 ALIGNMENT "E1"  
 TYPICAL SECTIONS  
 SHELDON ST, PRIVATE RD 1 AND LADWP RD

CONTRACT NO.  
 HSR14-42  
 DRAWING NO.  
 CV-R3014-E1  
 SCALE  
 NO SCALE  
 SHEET NO.

ct:\pwworkingdir\sener-us-pw-bentley.com\_sener-us-pw-01\dalfo.cordoba\dms24259VPB-CV-T4007-E1.dgn

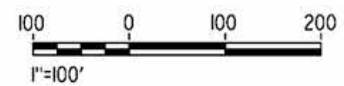
5/9/2021 5:46:08 PM

cordo



LINE DATA		
	BEARING	DISTANCE
1	S89°59'59"E	1300.00'
2	S83°54'54"E	302.75'

CURVE DATA				
	R	Δ	T	L
1	7000.00'	06°05'07"	372.08'	743.46'



REV	DATE	BY	CHK	APP	DESCRIPTION

DESIGNED BY  
**J.C. ALAMILLA**  
DRAWN BY  
**A. SANZ**  
CHECKED BY  
**W. GUO**  
IN CHARGE  
**A. RELANO**  
DATE  
**04/30/2021**

**PEPD RECORD SET**  
REV 02  
**NOT FOR CONSTRUCTION**



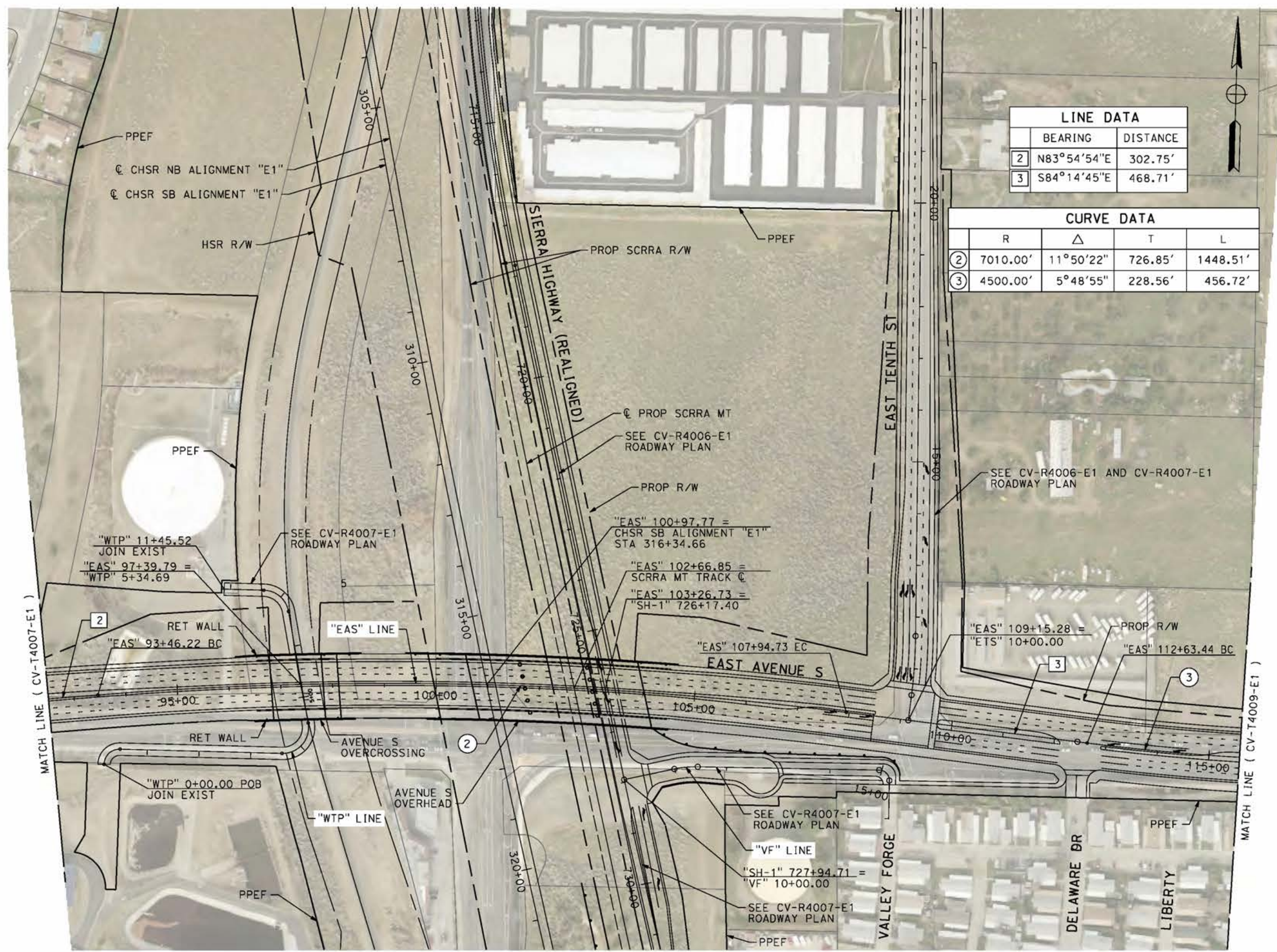
**CALIFORNIA HIGH-SPEED RAIL PROJECT**  
**PALMDALE TO BURBANK**  
ALIGNMENT "E1"  
GRADE SEPARATION PLAN  
EAST AVENUE S  
SHEET 1 OF 3

CONTRACT NO.  
HSR14-42  
DRAWING NO.  
CV-T4007-E1  
SCALE  
AS SHOWN  
SHEET NO.

ct:\pwworkingdir\sener-us-pw-bentley.com\_sener-us-pw-01\dalio.cordoba\dms24259\VPB-CV-T4008-E1.dgn

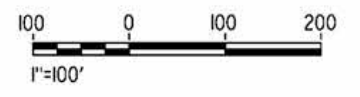
5/9/2021 8:17:14 PM

cordo



LINE DATA		
	BEARING	DISTANCE
2	N83°54'54"E	302.75'
3	S84°14'45"E	468.71'

CURVE DATA				
	R	Δ	T	L
2	7010.00'	11°50'22"	726.85'	1448.51'
3	4500.00'	5°48'55"	228.56'	456.72'



REV	DATE	BY	CHK	APP	DESCRIPTION

DESIGNED BY  
**J.C. ALAMILLA**

DRAWN BY  
**A. SANZ**

CHECKED BY  
**W. GUO**

IN CHARGE  
**A. RELANO**

DATE  
**04/30/2021**

**PEPD RECORD SET**  
REV 02

**NOT FOR CONSTRUCTION**



**CALIFORNIA HIGH-SPEED RAIL PROJECT**  
**PALMDALE TO BURBANK**

ALIGNMENT "E1"  
GRADE SEPARATION PLAN  
EAST AVENUE S  
SHEET 2 OF 3

CONTRACT NO.  
HSR14-42

DRAWING NO.  
CV-T4008-E1

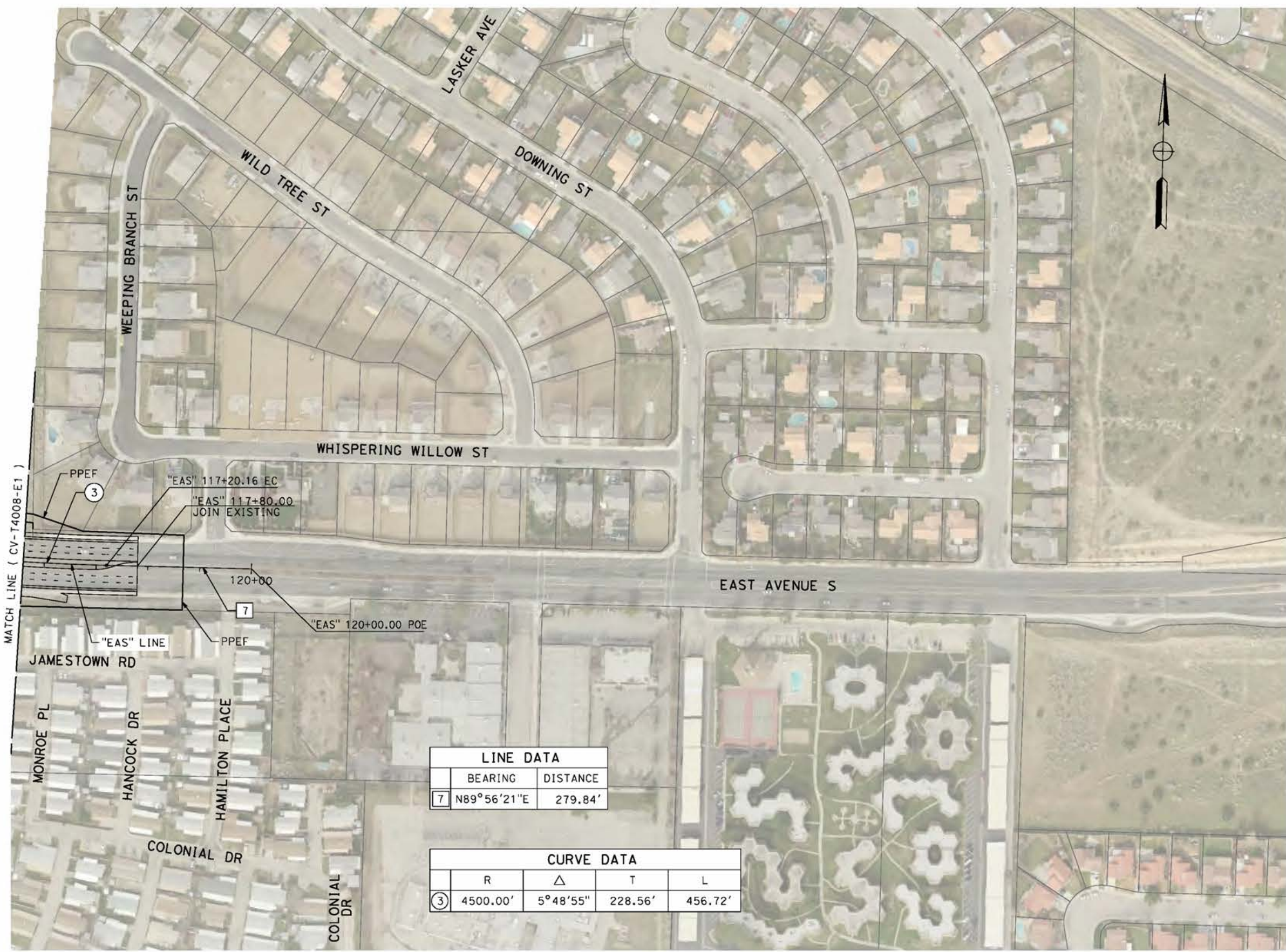
SCALE  
AS SHOWN

SHEET NO.

ct:\pwworkingdir\sener-us-pw-bentley.com\_sener-us-pw-01\dalio.cordoba\dms24259VPB-CV-T4009-E1.dgn

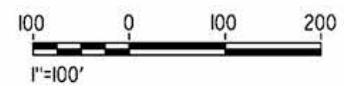
5/9/2021 8:33:33 PM

cordo



LINE DATA	
BEARING	DISTANCE
7 N89°56'21"E	279.84'

CURVE DATA			
R	Δ	T	L
③ 4500.00'	5°48'55"	228.56'	456.72'



REV	DATE	BY	CHK	APP	DESCRIPTION

DESIGNED BY  
**J.C. ALAMILLA**  
DRAWN BY  
**A. SANZ**  
CHECKED BY  
**W. GUO**  
IN CHARGE  
**A. RELANO**  
DATE  
**04/30/2021**

**PEPD RECORD SET**  
**REV 02**  
**NOT FOR CONSTRUCTION**



**CALIFORNIA HIGH-SPEED RAIL PROJECT**  
**PALMDALE TO BURBANK**  
ALIGNMENT "E1"  
GRADE SEPARATION PLAN  
EAST AVENUE S  
SHEET 3 OF 3

CONTRACT NO.  
HSR14-42  
DRAWING NO.  
CV-T4009-E1  
SCALE  
AS SHOWN  
SHEET NO.

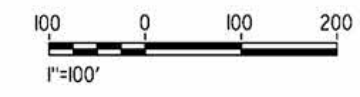
ct:\pwworkingdir\sener-us-pw.bentley.com\_sener-us-pw-01\dalfo.cordoba\dms24259VPB-CV-T4010-E1.dgn

5/23/2021 11:53:19 PM

cordo



LINE DATA		
	BEARING	DISTANCE
1	N48°51'49"E	3,000.00'
2	S41°05'16"E	1,000.00'



REV	DATE	BY	CHK	APP	DESCRIPTION

DESIGNED BY  
J.C. ALAMILLA  
DRAWN BY  
A. SANZ  
CHECKED BY  
W. GUO  
IN CHARGE  
A. RELANO  
DATE  
04/30/2021

**PEPD RECORD SET**  
**REV 02**  
  
**NOT FOR CONSTRUCTION**



**CALIFORNIA HIGH-SPEED RAIL PROJECT**  
**PALMDALE TO BURBANK**  
ALIGNMENT "E1"  
GRADE SEPARATION PLAN  
BRANFORD ST AND SAN FERNANDO ROAD "SFR1"  
SHEET 1 OF 2

CONTRACT NO.  
HSR14-42  
DRAWING NO.  
CV-T4010-E1  
SCALE  
AS SHOWN  
SHEET NO.



ct:\pwworkingdir\sener-us-pw\bentley.com\_sener-us-pw-01\dalio.cordoba\dms24259\VPB-CV-T4011-E1.dgn

5/27/2021 4:32:09 PM

cordo



LINE DATA		
	BEARING	DISTANCE
1	N48°51'49"E	3000.00'



REV	DATE	BY	CHK	APP	DESCRIPTION

DESIGNED BY  
D. CORDOBA  
DRAWN BY  
A. SANZ  
CHECKED BY  
W. GUO  
IN CHARGE  
A. RELANO  
DATE  
04/30/2021

**PEPD RECORD SET**  
**REV 02**  
  
**NOT FOR CONSTRUCTION**



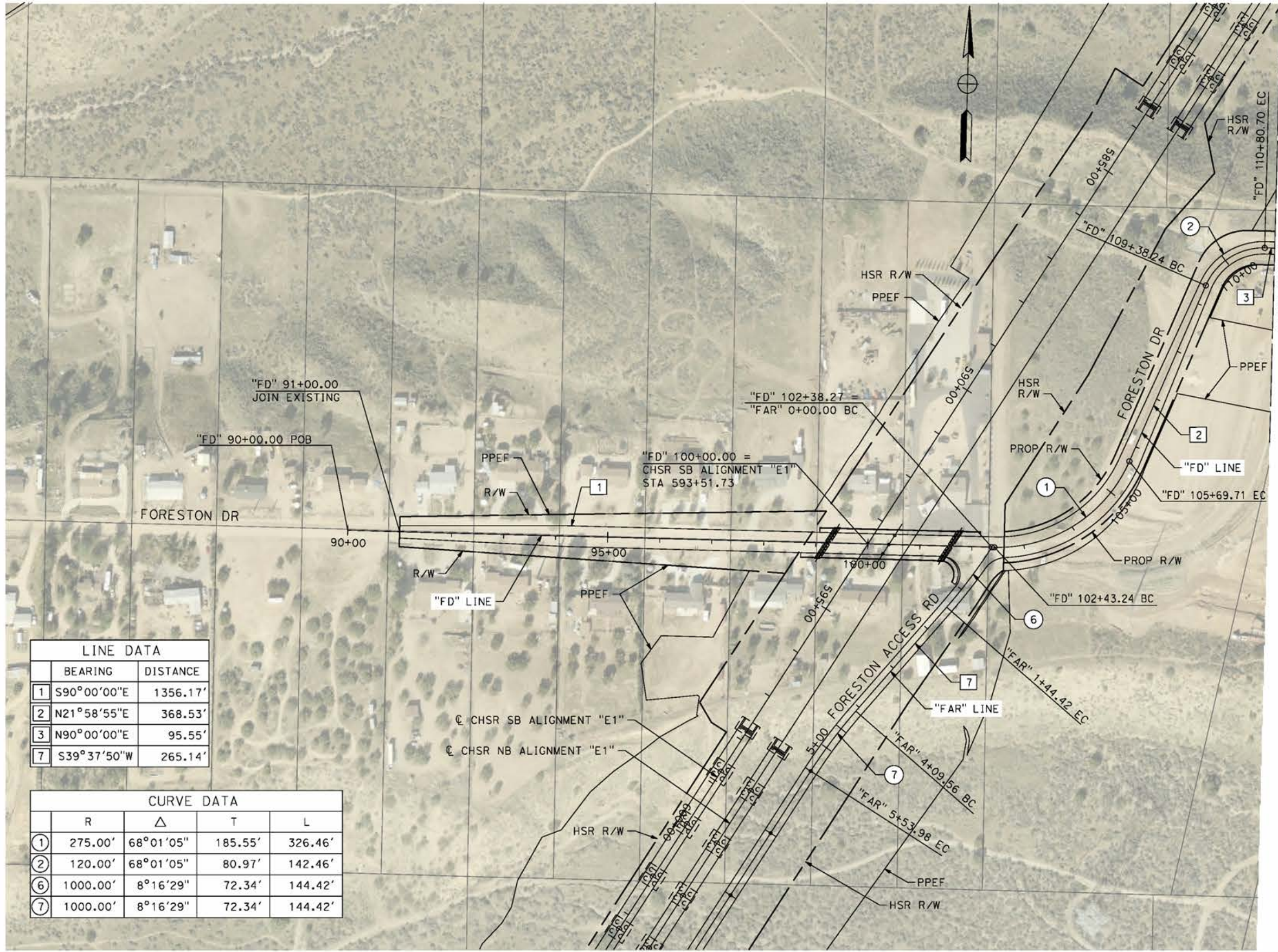
**CALIFORNIA HIGH-SPEED RAIL PROJECT**  
**PALMDALE TO BURBANK**  
ALIGNMENT "E1"  
GRADE SEPARATION PLAN  
BRANFORD ST  
SHEET 2 OF 2

CONTRACT NO.  
HSR14-42  
DRAWING NO.  
CV-T4011-E1  
SCALE  
AS SHOWN  
SHEET NO.

ct:\pwworkingdir\sener-us-pw-bentley.com\_sener-us-pw-01\dalfo.cordoba\dms24259\FB-CV-T4015-E1.dgn

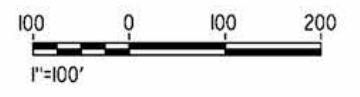
5/27/2021 5:13:39 PM

cordo



LINE DATA		
	BEARING	DISTANCE
1	S90°00'00"E	1356.17'
2	N21°58'55"E	368.53'
3	N90°00'00"E	95.55'
7	S39°37'50"W	265.14'

CURVE DATA				
	R	Δ	T	L
1	275.00'	68°01'05"	185.55'	326.46'
2	120.00'	68°01'05"	80.97'	142.46'
6	1000.00'	8°16'29"	72.34'	144.42'
7	1000.00'	8°16'29"	72.34'	144.42'



REV	DATE	BY	CHK	APP	DESCRIPTION

DESIGNED BY  
J.C. ALAMILLA  
DRAWN BY  
A. SANZ  
CHECKED BY  
W. GUO  
IN CHARGE  
A. RELANO  
DATE  
04/30/2021

**PEPD RECORD SET**  
REV 02  
**NOT FOR CONSTRUCTION**



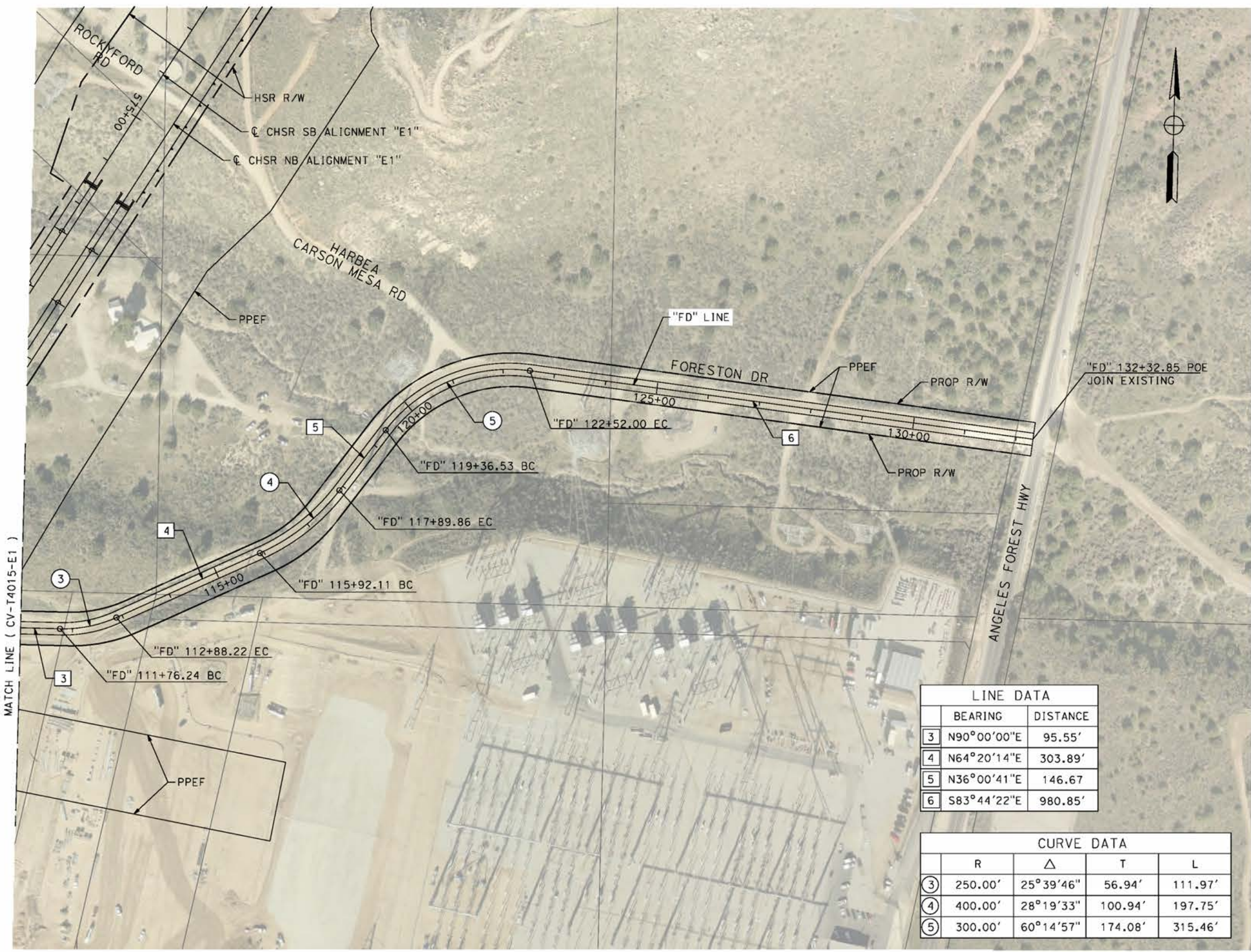
**CALIFORNIA HIGH-SPEED RAIL PROJECT**  
**PALMDALE TO BURBANK**  
ALIGNMENT "E1"  
GRADE SEPARATION PLAN  
FORESTON DRIVE AND FORESTON ACCESS ROAD

CONTRACT NO.  
HSR14-42  
DRAWING NO.  
CV-T4015-E1  
SCALE  
AS SHOWN  
SHEET NO.

ct:\pwworkingdir\sener-us-pw-bentley.com\_sener-us-pw-01\dalfo.cordoba\dms24259VPB-CV-T4016-E1.dgn

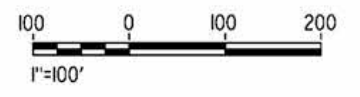
5/27/2021 5:11:02 PM

cordo



LINE DATA	
BEARING	DISTANCE
3	N90°00'00"E 95.55'
4	N64°20'14"E 303.89'
5	N36°00'41"E 146.67'
6	S83°44'22"E 980.85'

CURVE DATA				
	R	Δ	T	L
3	250.00'	25°39'46"	56.94'	111.97'
4	400.00'	28°19'33"	100.94'	197.75'
5	300.00'	60°14'57"	174.08'	315.46'



REV	DATE	BY	CHK	APP	DESCRIPTION

DESIGNED BY  
J.C. ALAMILLA  
DRAWN BY  
A. SANZ  
CHECKED BY  
W. GUO  
IN CHARGE  
A. RELANO  
DATE  
04/30/2021

**PEPD RECORD SET  
REV 02  
NOT FOR  
CONSTRUCTION**



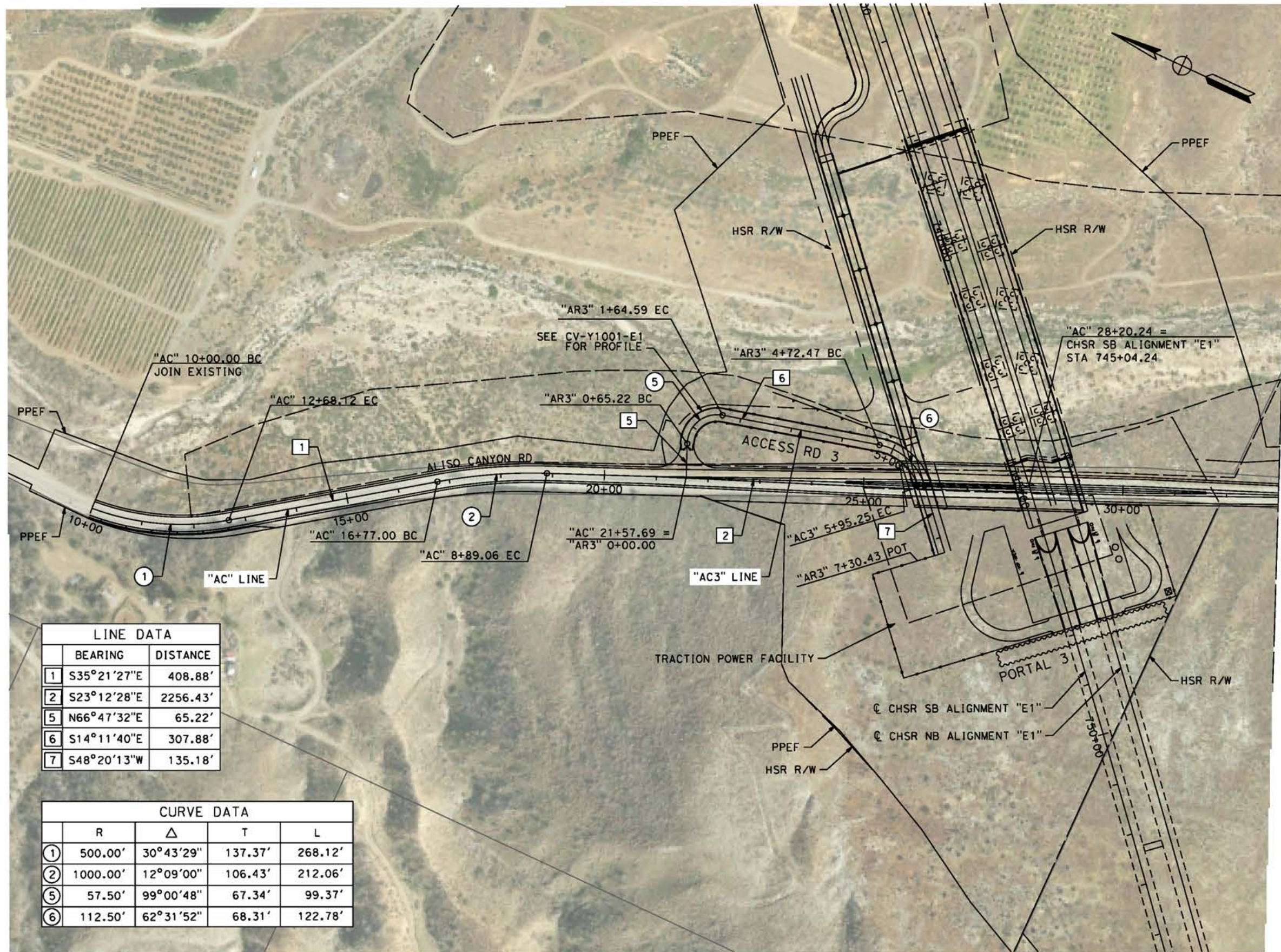
**CALIFORNIA HIGH-SPEED RAIL PROJECT  
PALMDALE TO BURBANK**  
ALIGNMENT "E1"  
GRADE SEPARATION PLAN  
FORESTON DRIVE

CONTRACT NO.  
HSR14-42  
DRAWING NO.  
CV-T4016-E1  
SCALE  
AS SHOWN  
SHEET NO.

ct:\pwworkingdir\sener-us-pw-bentley.com\_sener-us-pw-01\dalio.cordoba\dms24259VPB-CV-T4017-E1.dgn

7/22/2021 12:51:16 AM

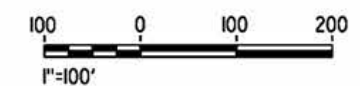
cordo



MATCH LINE ( CV-T4018-E1 )

LINE DATA		
	BEARING	DISTANCE
1	S35°21'27"E	408.88'
2	S23°12'28"E	2256.43'
5	N66°47'32"E	65.22'
6	S14°11'40"E	307.88'
7	S48°20'13"W	135.18'

CURVE DATA				
	R	Δ	T	L
①	500.00'	30°43'29"	137.37'	268.12'
②	1000.00'	12°09'00"	106.43'	212.06'
⑤	57.50'	99°00'48"	67.34'	99.37'
⑥	112.50'	62°31'52"	68.31'	122.78'



REV	DATE	BY	CHK	APP	DESCRIPTION

DESIGNED BY  
J.C. ALAMILLA  
DRAWN BY  
A. SANZ  
CHECKED BY  
W. GUO  
IN CHARGE  
A. RELAND  
DATE  
04/30/2021

PEPD RECORD SET  
REV 02  
  
NOT FOR  
CONSTRUCTION



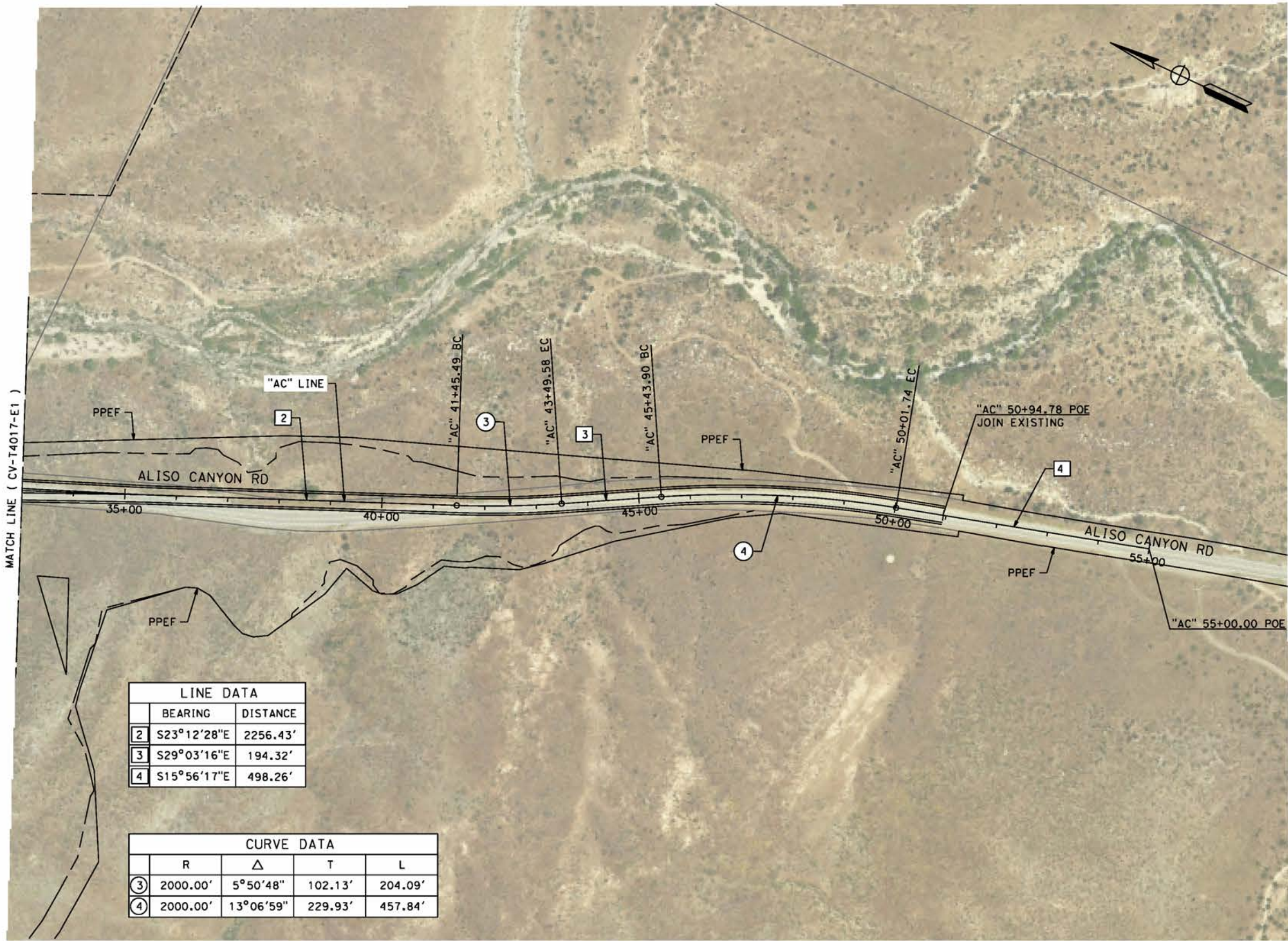
**CALIFORNIA HIGH-SPEED RAIL PROJECT**  
**PALMDALE TO BURBANK**  
ALIGNMENT "E1"  
GRADE DEPARATION PLAN  
ALISO CANYON ROAD AND ACCESS ROAD 3

CONTRACT NO.  
HSR14-42  
DRAWING NO.  
CV-T4017-E1  
SCALE  
AS SHOWN  
SHEET NO.

ct:\pwworkingdir\sener-us-pw-bentley.com\_sener-us-pw-01\dat\cordoba\mms24259\VPB-CV-T4018-E1.dgn

7/22/2021 12:35:26 AM

cordo



LINE DATA		
	BEARING	DISTANCE
2	S23°12'28"E	2256.43'
3	S29°03'16"E	194.32'
4	S15°56'17"E	498.26'

CURVE DATA				
	R	Δ	T	L
3	2000.00'	5°50'48"	102.13'	204.09'
4	2000.00'	13°06'59"	229.93'	457.84'



REV	DATE	BY	CHK	APP	DESCRIPTION

DESIGNED BY  
J.C. ALAMILLA  
DRAWN BY  
A. SANZ  
CHECKED BY  
W. GUO  
IN CHARGE  
A. RELAND  
DATE  
04/30/2021

**PEPD RECORD SET  
REV 02  
NOT FOR  
CONSTRUCTION**



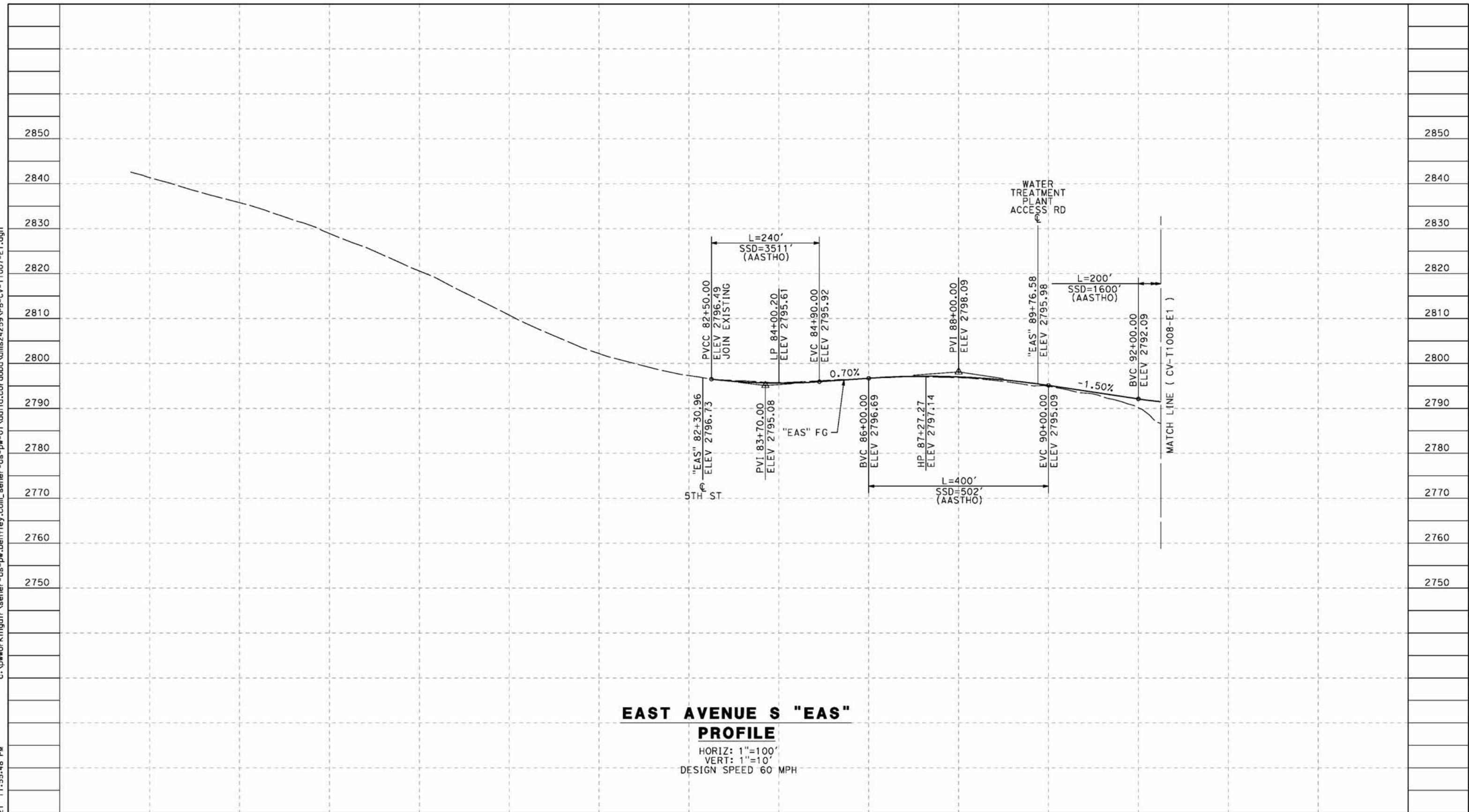
**CALIFORNIA HIGH-SPEED RAIL PROJECT  
PALMDALE TO BURBANK**  
ALIGNMENT "E1"  
GRADE SEPARATION PLAN  
ALISO CANYON ROAD

CONTRACT NO.  
HSR14-42  
DRAWING NO.  
CV-T4018-E1  
SCALE  
AS SHOWN  
SHEET NO.

ct:\pwworkingdir\sener-us-pw-bentley.com\_sener-us-pw-01\do\fa\cordoba\dms24259\VPB-CV-T1007-E1.dgn

5/23/2021 11:55:48 PM

cordo



**EAST AVENUE S "EAS" PROFILE**

HORIZ: 1"=100'  
 VERT: 1"=10'  
 DESIGN SPEED 60 MPH

STATION	70+00	72+00	74+00	76+00	78+00	80+00	82+00	84+00	86+00	88+00	90+00	92+00	94+00	96+00	TOTAL
Exc															
Emb															

REV	DATE	BY	CHK	APP	DESCRIPTION

DESIGNED BY  
J.C. ALAMILLA  
 DRAWN BY  
A. SANZ  
 CHECKED BY  
W. GUO  
 IN CHARGE  
A. RELANO  
 DATE  
04/30/2021

**PEPD RECORD SET  
 REV 02  
 NOT FOR  
 CONSTRUCTION**



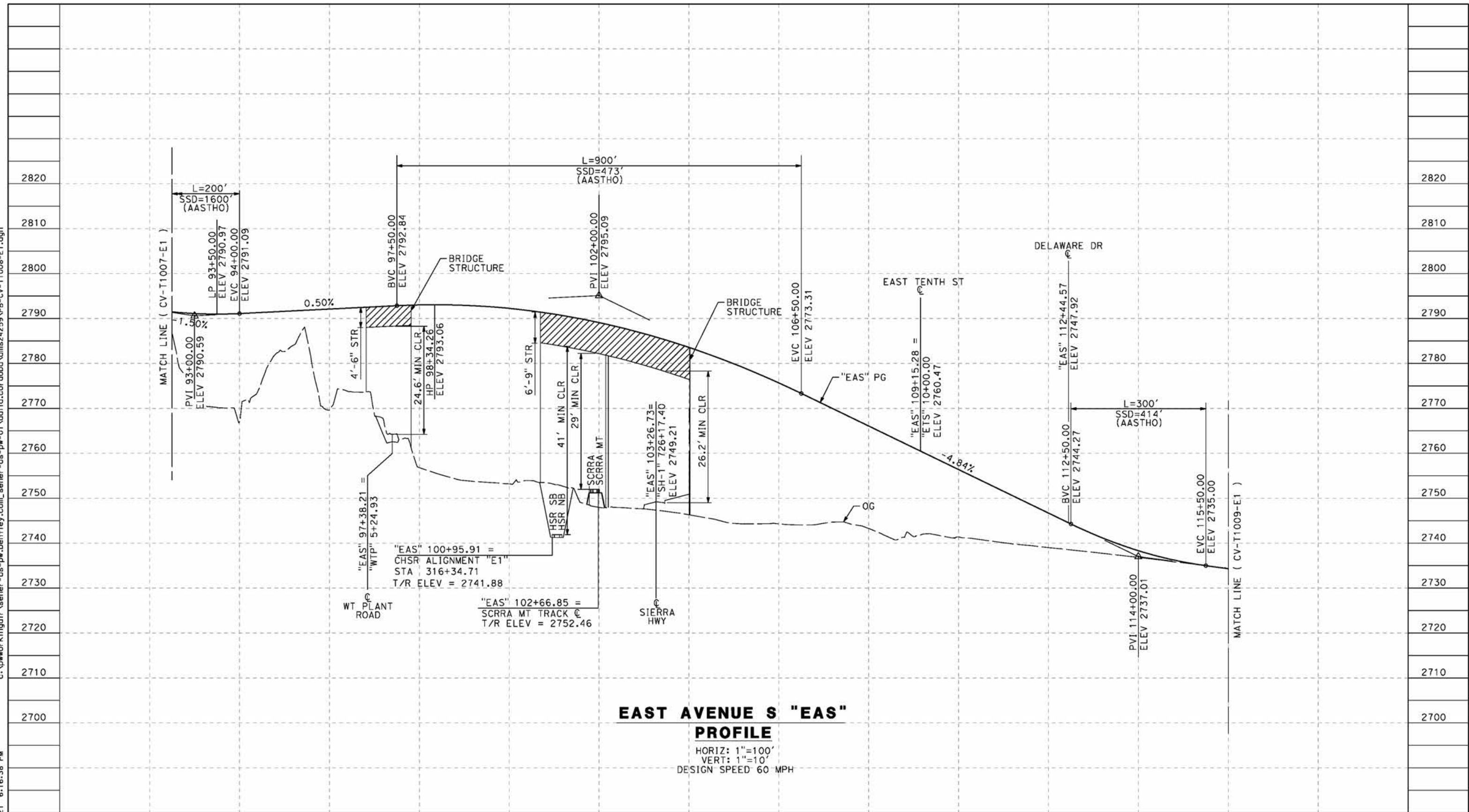
**CALIFORNIA HIGH-SPEED RAIL PROJECT  
 PALMDALE TO BURBANK**  
 ALIGNMENT "E1"  
 GRADE SEPARATION PROFILE  
 EAST AVENUE S  
 SHEET 1 OF 3

CONTRACT NO.  
HSR14-42  
 DRAWING NO.  
CV-T1007-E1  
 SCALE  
AS SHOWN  
 SHEET NO.

ct:\pwworkingdir\sener-us-pw-bentley.com\_sener-us-pw-01\do\fa\cordoba\dms24259\VPB-CV-T1008-E1.dgn

5/27/2021 6:16:38 PM

cordo



**EAST AVENUE S "EAS" PROFILE**

HORIZ: 1"=100'  
 VERT: 1"=10'  
 DESIGN SPEED 60 MPH

STATION	92+00	94+00	96+00	98+00	100+00	102+00	104+00	106+00	108+00	110+00	112+00	114+00	116+00	118+00	2690	TOTAL
Exc																
Emb																
CY	2670															

REV	DATE	BY	CHK	APP	DESCRIPTION

DESIGNED BY  
J.C. ALAMILLA  
 DRAWN BY  
A. SANZ  
 CHECKED BY  
W. GUO  
 IN CHARGE  
A. RELANO  
 DATE  
04/30/2021

**PEPD RECORD SET  
 REV 02  
 NOT FOR  
 CONSTRUCTION**



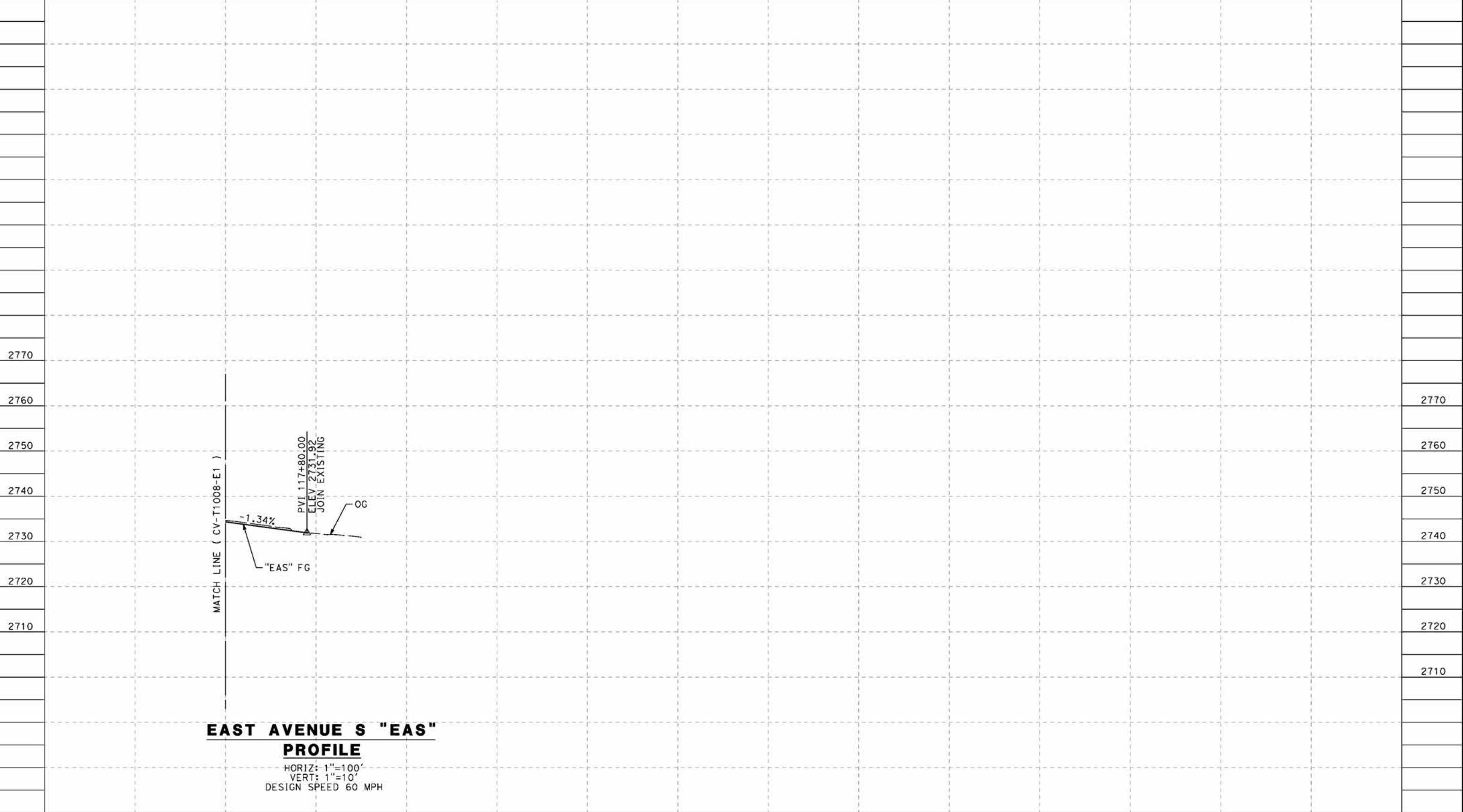
**CALIFORNIA HIGH-SPEED RAIL PROJECT  
 PALMDALE TO BURBANK**  
 ALIGNMENT "E1"  
 GRADE SEPARATION PROFILE  
 EAST AVENUE S  
 SHEET 2 OF 3

CONTRACT NO.  
HSR14-42  
 DRAWING NO.  
CV-T1008-E1  
 SCALE  
AS SHOWN  
 SHEET NO.

c:\pwworkingdir\sener-us-pw-bentley.com\_sener-us-pw-01\do\fa\cordoba\dms24259VPB-CV-T1009-E1.dgn

5/24/2021 12:02:52 AM

cordo



**EAST AVENUE S "EAS"  
PROFILE**  
 HORIZ: 1"=100'  
 VERT: 1"=10'  
 DESIGN SPEED 60 MPH

STATION	116+00	118+00	TOTAL
CY	Exc		
	Emb		

DESIGNED BY  
J.C. ALAMILLA  
 DRAWN BY  
A. SANZ  
 CHECKED BY  
W. GUO  
 IN CHARGE  
A. RELANO  
 DATE  
04/30/2021

**PEPD RECORD SET  
REV 02**  
  
**NOT FOR  
CONSTRUCTION**



**CALIFORNIA HIGH-SPEED RAIL PROJECT  
PALMDALE TO BURBANK**  
 ALIGNMENT "E1"  
 GRADE SEPARATION PROFILE  
 EAST AVENUE S  
 SHEET 3 OF 3

CONTRACT NO.  
HSR14-42  
 DRAWING NO.  
CV-T1009-E1  
 SCALE  
AS SHOWN  
 SHEET NO.

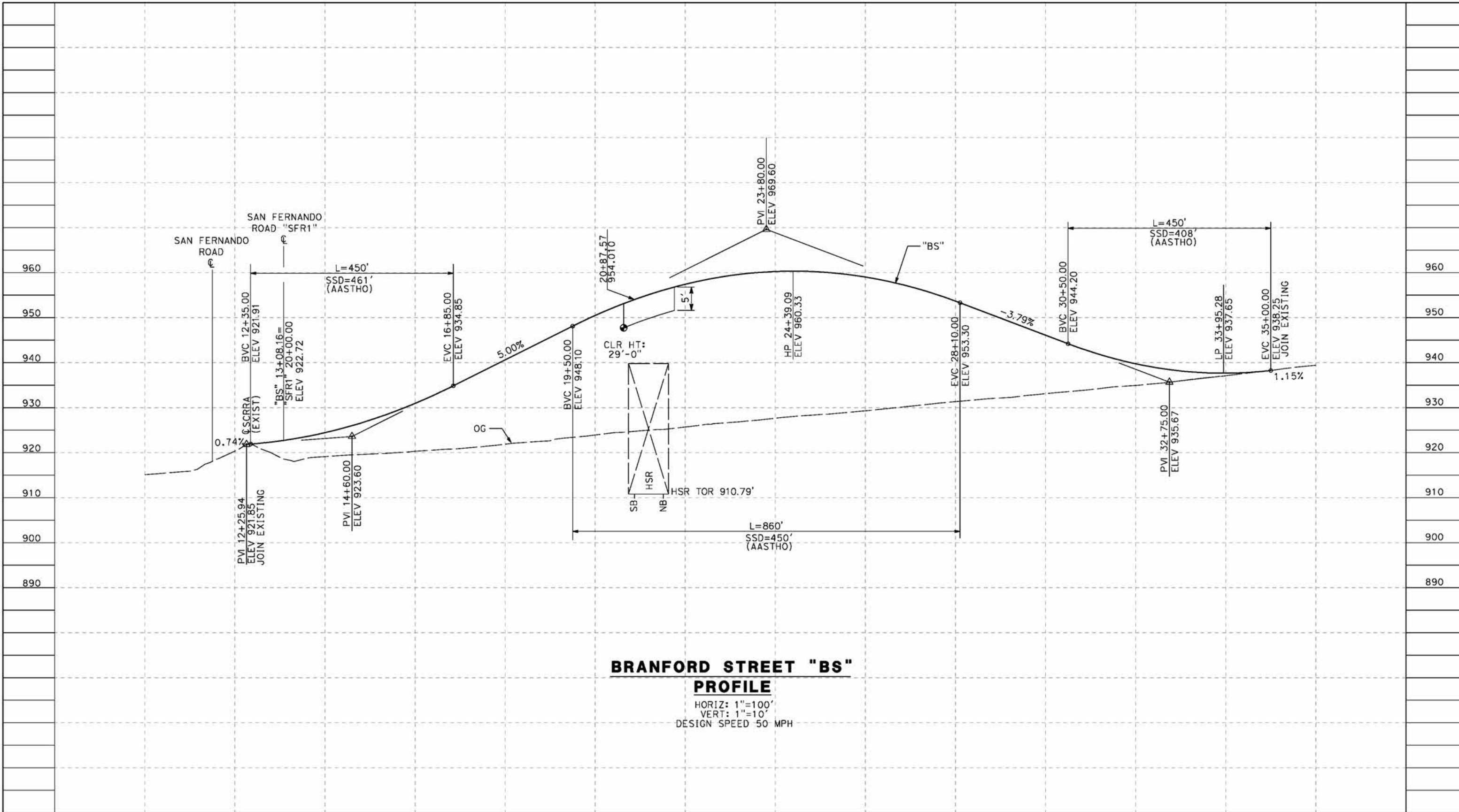
REV	DATE	BY	CHK	APP	DESCRIPTION



ct:\pwworkingdir\sener-us-pw-bentley.com\_sener-us-pw-01\do\fa\cordoba\dms24259VPB-CV-T1010-E1.dgn

5/24/2021 12:04:58 AM

cordo



**BRANFORD STREET "BS"**  
**PROFILE**  
 HORIZ: 1"=100'  
 VERT: 1"=10'  
 DESIGN SPEED 50 MPH

STATION	10+00	12+00	14+00	16+00	18+00	20+00	22+00	24+00	26+00	28+00	30+00	TOTAL
Exc												
Emb												

REV	DATE	BY	CHK	APP	DESCRIPTION

DESIGNED BY  
J.C. ALAMILLA  
 DRAWN BY  
A. SANZ  
 CHECKED BY  
W. GUO  
 IN CHARGE  
A. RELANO  
 DATE  
04/30/2021

**PEPD RECORD SET**  
**REV 02**  
**NOT FOR**  
**CONSTRUCTION**

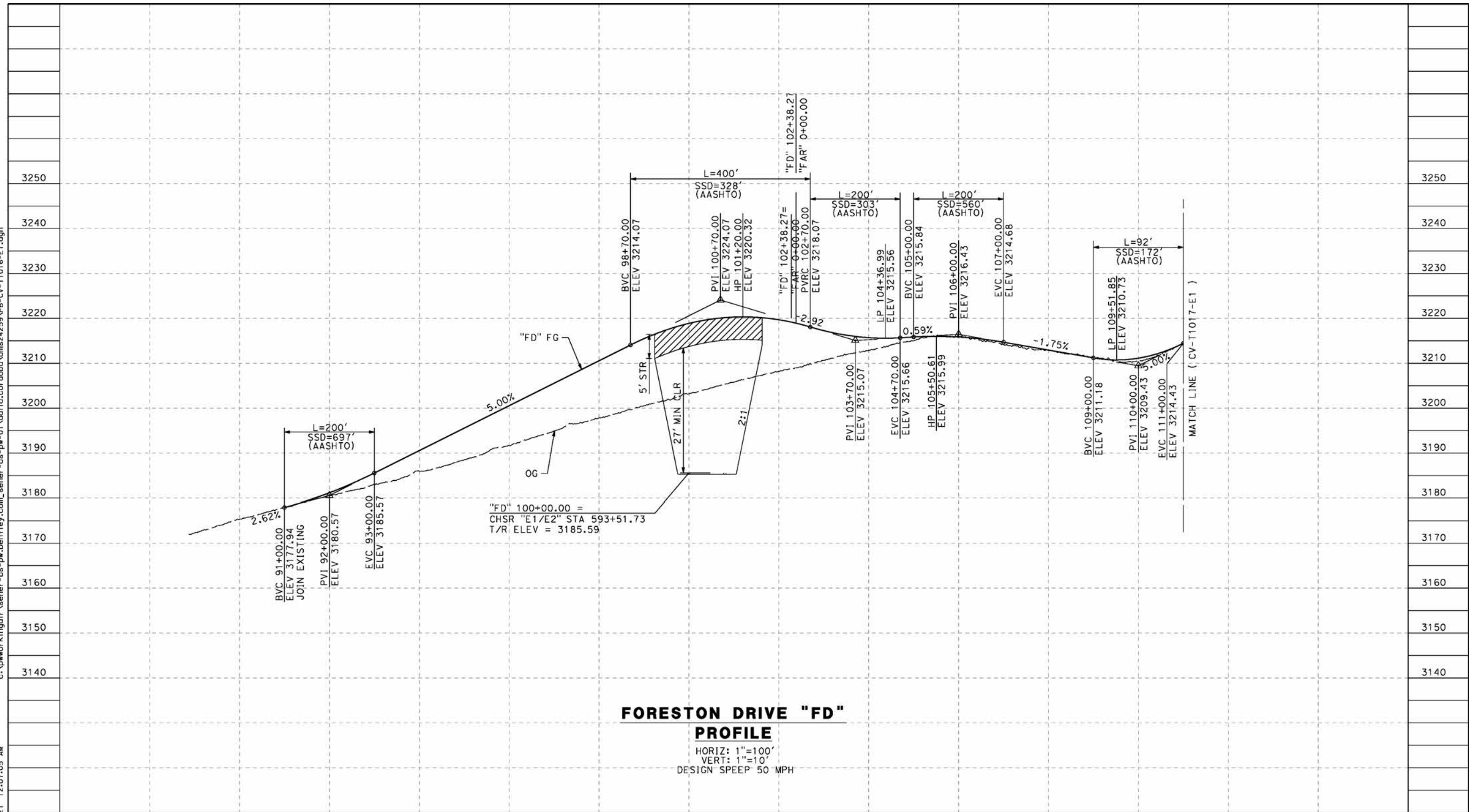


**CALIFORNIA HIGH-SPEED RAIL PROJECT**  
**PALMDALE TO BURBANK**  
 ALIGNMENT "E1"  
 GRADE SEPARATION PROFILE  
 BRANFORD STREET

CONTRACT NO. HSR14-42
DRAWING NO. CV-T1010-E1
SCALE AS SHOWN
SHEET NO.

5/24/2021 12:07:05 AM c:\pwworkingdir\sener-us-pw-bentley.com\_sener-us-pw-01\dalifa.cordoba\dms24259\VPB-CV-T1016-E1.dgn

cordo



"FD" 100+00.00 =  
 CHSR "E1/E2" STA 593+51.73  
 T/R ELEV = 3185.59

STATION	88+00	90+00	92+00	94+00	96+00	98+00	100+00	102+00	104+00	106+00	108+00	110+00	112+00	TOTAL
Exc														
Emb														

REV	DATE	BY	CHK	APP	DESCRIPTION

DESIGNED BY  
J.C. ALAMILLA  
 DRAWN BY  
A. SANZ  
 CHECKED BY  
W. GUO  
 IN CHARGE  
A. RELANO  
 DATE  
04/30/2021

**PEPD RECORD SET  
REV 02**

**NOT FOR  
CONSTRUCTION**



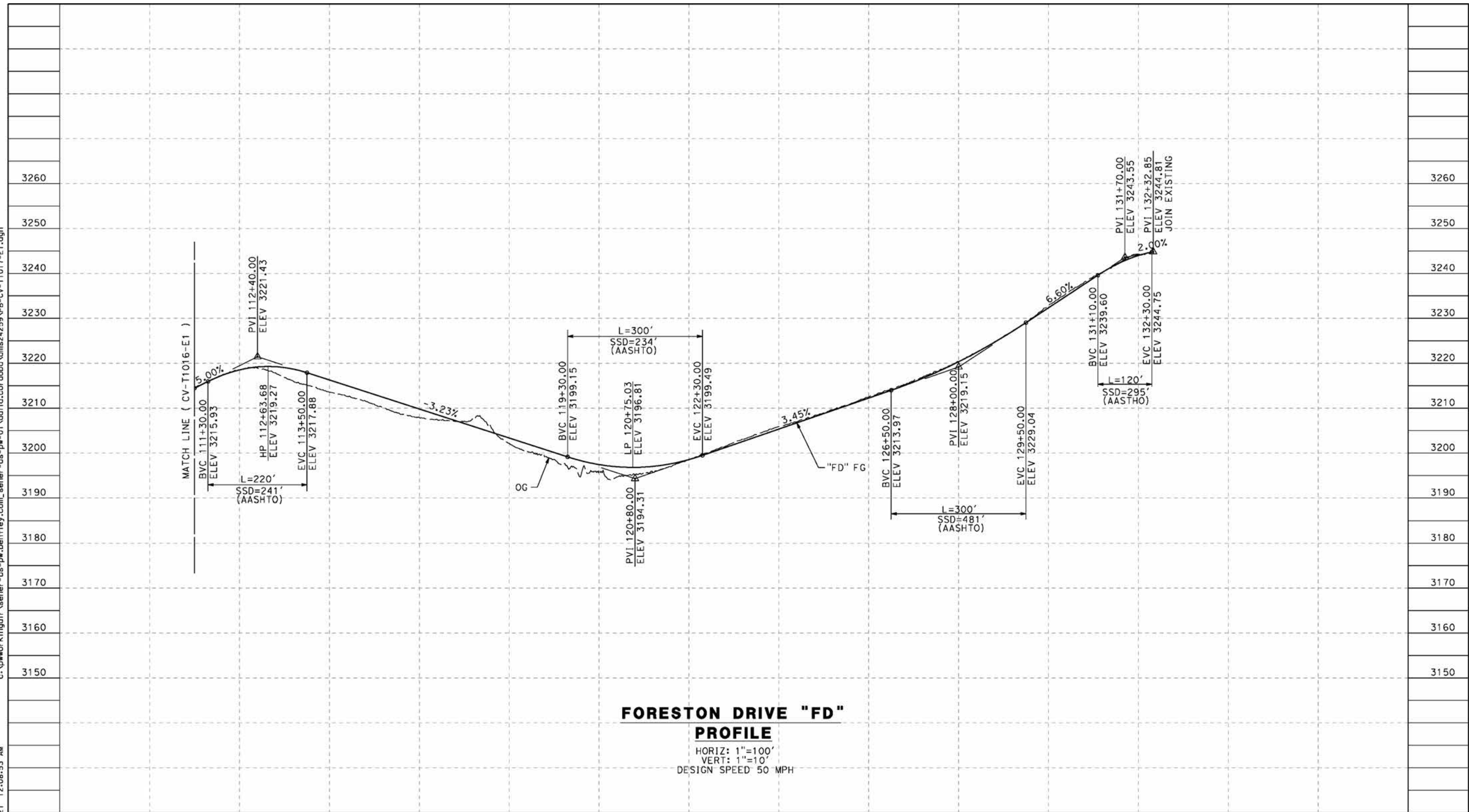
**CALIFORNIA HIGH-SPEED RAIL PROJECT  
PALMDALE TO BURBANK**

ALIGNMENT "E1"  
 GRADE SEPARATION PROFILE  
 FORESTON DRIVE  
 SHEET 1 OF 2

CONTRACT NO.	HSR14-42
DRAWING NO.	CV-T1016-E1
SCALE	AS SHOWN
SHEET NO.	

5/24/2021 12:08:53 AM c:\pwworkingdir\sener-us-pw-bentley.com\_sener-us-pw-01\dalifa.cordoba\dms24259\VPB-CV-T1017-E1.dgn

cordo



STATION	110+00	112+00	114+00	116+00	118+00	120+00	122+00	124+00	126+00	128+00	130+00	132+00	134+00	TOTAL
Exc														
Emb														

REV	DATE	BY	CHK	APP	DESCRIPTION

DESIGNED BY  
J.C. ALAMILLA  
 DRAWN BY  
A. SANZ  
 CHECKED BY  
W. GUO  
 IN CHARGE  
A. RELANO  
 DATE  
04/30/2021

**PEPD RECORD SET  
REV 02**  
  
**NOT FOR  
CONSTRUCTION**



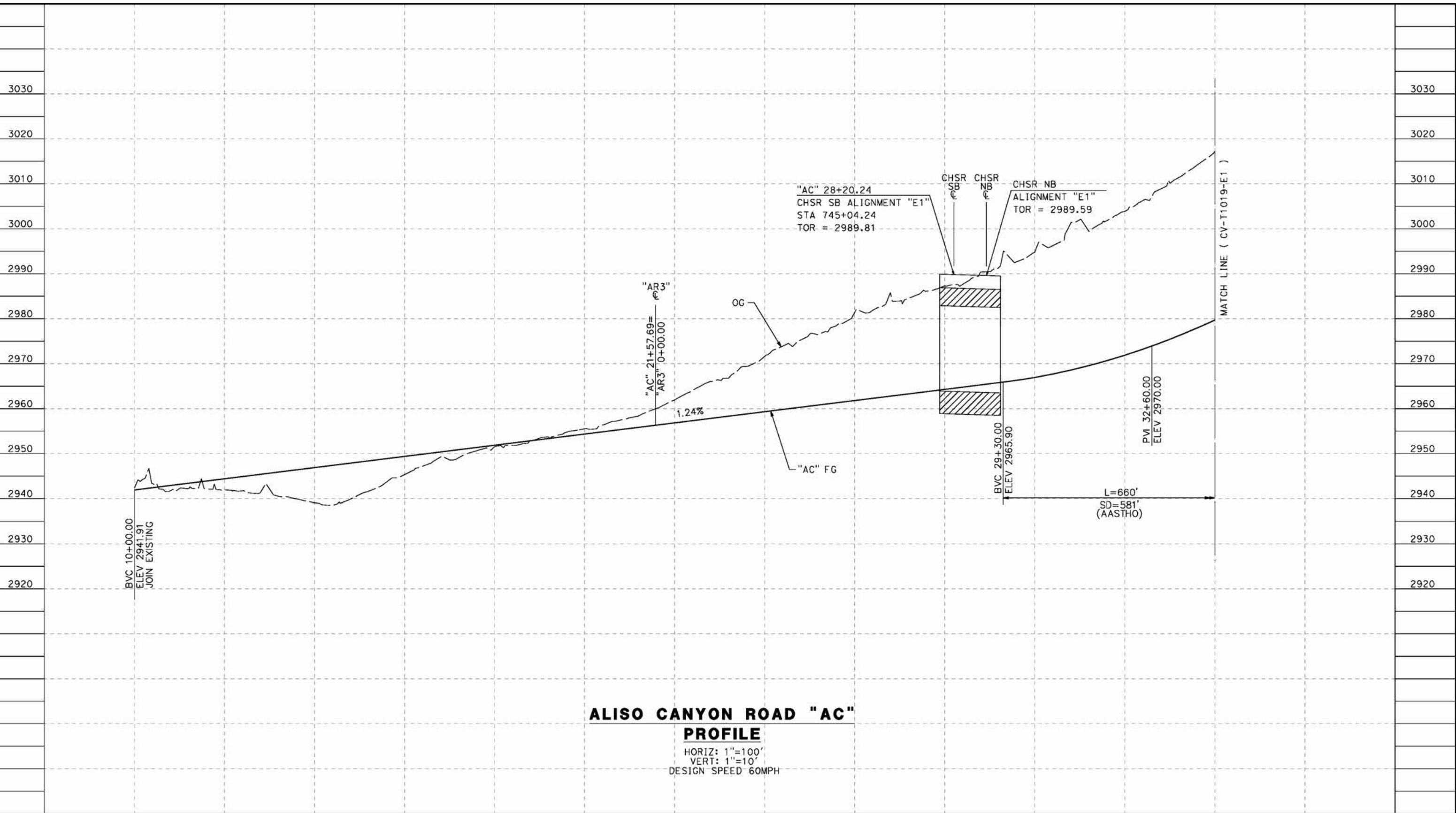
**CALIFORNIA HIGH-SPEED RAIL PROJECT  
PALMDALE TO BURBANK**  
 ALIGNMENT "E1"  
 GRADE SEPARATION PROFILE  
 FORESTON DRIVE  
 SHEET 2 OF 2

CONTRACT NO.  
HSR14-42  
 DRAWING NO.  
CV-T1017-E1  
 SCALE  
AS SHOWN  
 SHEET NO.

ct:\pwworkingdir\sener-us-pw-bentley.com\_sener-us-pw-01\do\fa\_cordoba\dms24259\VPB-CV-T1018-E1.dgn

5/24/2021 12:10:45 AM

cordo



**ALISO CANYON ROAD "AC" PROFILE**

HORIZ: 1"=100'  
 VERT: 1"=10'  
 DESIGN SPEED 60MPH

STATION	10+00	12+00	14+00	16+00	18+00	20+00	22+00	24+00	26+00	28+00	30+00	32+00	34+00	TOTAL
Exc														
Emb														

DESIGNED BY  
J.C. ALAMILLA  
 DRAWN BY  
A. SANZ  
 CHECKED BY  
W. GUO  
 IN CHARGE  
A. RELANO  
 DATE  
04/30/2021

**PEPD RECORD SET  
 REV 02  
 NOT FOR  
 CONSTRUCTION**



**CALIFORNIA HIGH-SPEED RAIL PROJECT  
 PALMDALE TO BURBANK**  
 ALIGNMENT "E1"  
 GRADE SEPARATION PROFILE  
 ALISO CANYON ROAD  
 SHEET 1 OF 2

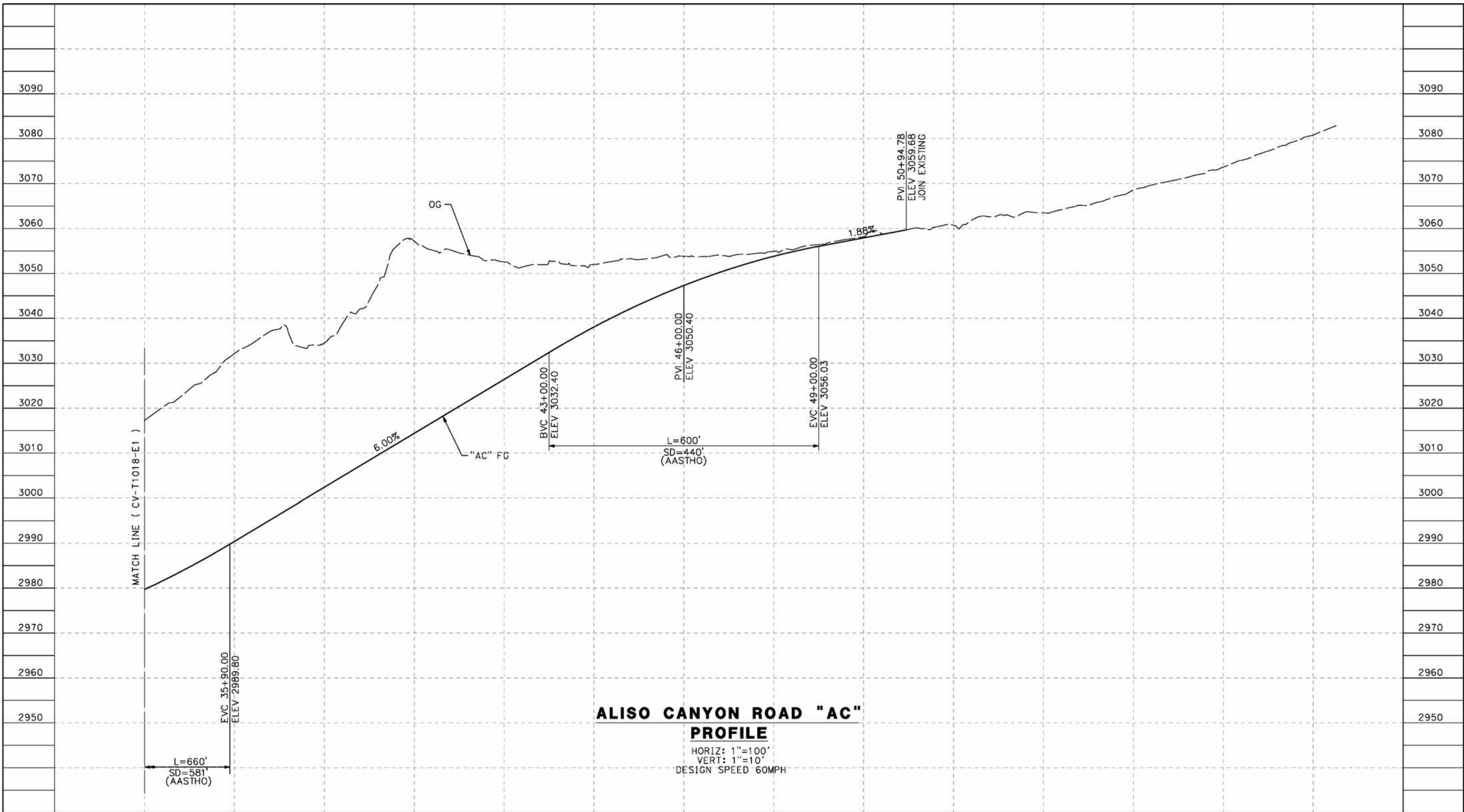
CONTRACT NO.  
HSR14-42  
 DRAWING NO.  
CV-T1018-E1  
 SCALE  
AS SHOWN  
 SHEET NO.

REV	DATE	BY	CHK	APP	DESCRIPTION

ct:\pwworkingdir\sener-us-pw-bentley.com\_sener-us-pw-01\daifa.cordoba\dms24259\VPB-CV-T1019-E1.dgn

5/24/2021 12:12:19 AM

cordo



**ALISO CANYON ROAD "AC" PROFILE**

HORIZ: 1"=100'  
 VERT: 1"=10'  
 DESIGN SPEED 60MPH

STATION	34+00	36+00	38+00	40+00	42+00	44+00	46+00	48+00	50+00	52+00	54+00	56+00	58+00	60+00	TOTAL
Exc															
Emb															

REV	DATE	BY	CHK	APP	DESCRIPTION

DESIGNED BY  
J.C. ALAMILLA  
 DRAWN BY  
A. SANZ  
 CHECKED BY  
W. GUO  
 IN CHARGE  
A. RELANO  
 DATE  
04/30/2021

**PEPD RECORD SET  
 REV 02  
 NOT FOR  
 CONSTRUCTION**



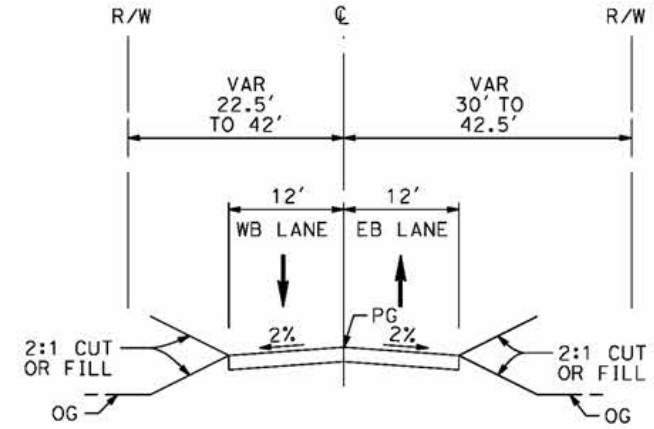
**CALIFORNIA HIGH-SPEED RAIL PROJECT  
 PALMDALE TO BURBANK**  
 ALIGNMENT "E1"  
 GRADE SEPARATION PROFILE  
 ALISO CANYON ROAD  
 SHEET 2 OF 2

CONTRACT NO.  
HSR14-42  
 DRAWING NO.  
CV-T1019-E1  
 SCALE  
AS SHOWN  
 SHEET NO.

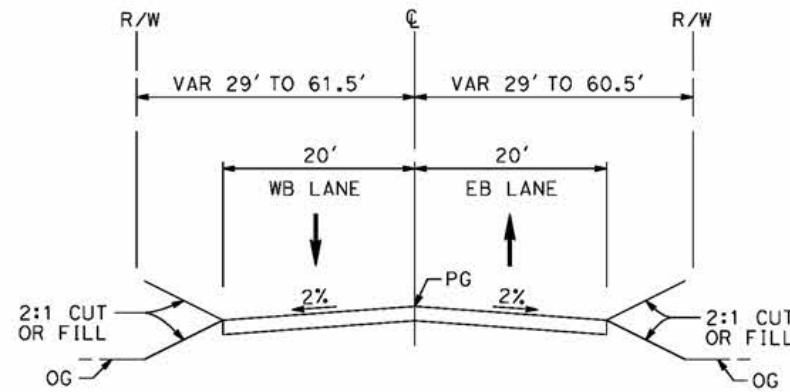
ct:\pwworkingdir\sener-us-pw-bentley.com\_sener-us-pw-01\dalila.cordoba\dms24259\VPB-CV-T3001-E1.dgn

4/27/2021 12:37:31 PM

cordo



**FORESTON DRIVE**  
 STA 105+64 TO STA 132+32  
 LOCAL ROADWAY  
 PER LOS ANGELES COUNTY MUNICIPAL CODE  
 CHAPTER 21 PARTS 2 AND 3



**FORESTON DRIVE**  
 STA 91+00 TO STA 105+64  
 LOCAL ROADWAY  
 PER LOS ANGELES COUNTY MUNICIPAL CODE  
 CHAPTER 21 PARTS 2 AND 3

REV	DATE	BY	CHK	APP	DESCRIPTION

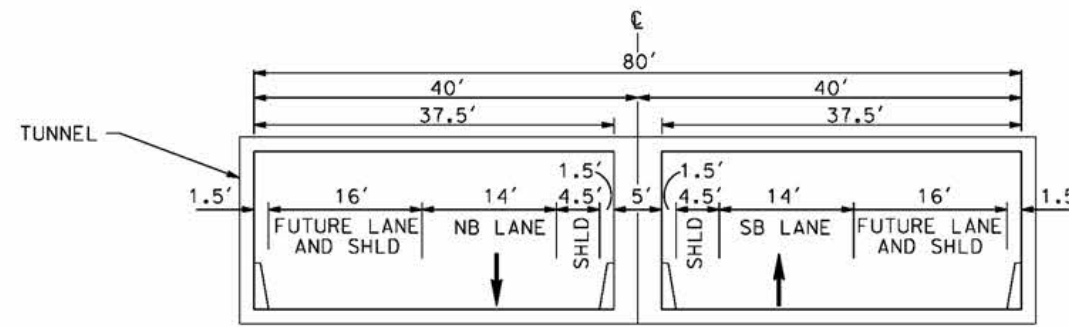
DESIGNED BY  
**J.C. ALAMILLA**  
 DRAWN BY  
**A. SANZ**  
 CHECKED BY  
**W. GUO**  
 IN CHARGE  
**A. RELANO**  
 DATE  
**04/30/2021**

**PEPD RECORD SET**  
 REV 02  
**NOT FOR CONSTRUCTION**

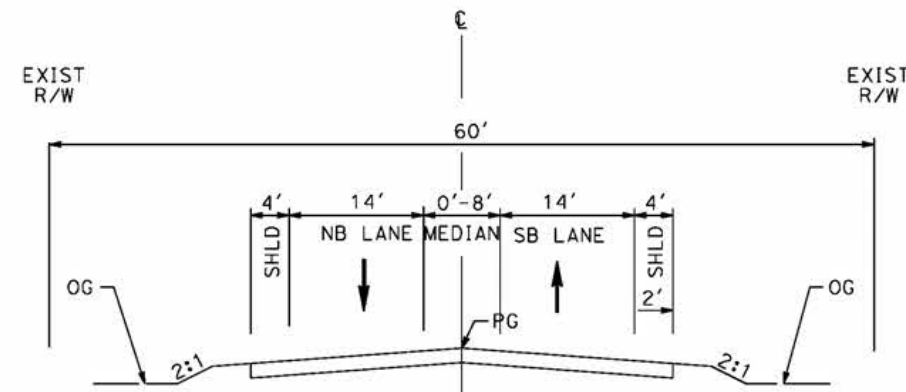


**CALIFORNIA HIGH-SPEED RAIL PROJECT**  
**PALMDALE TO BURBANK**  
 ALIGNMENT "E1"  
 TYPICAL SECTIONS  
 FORESTON DRIVE

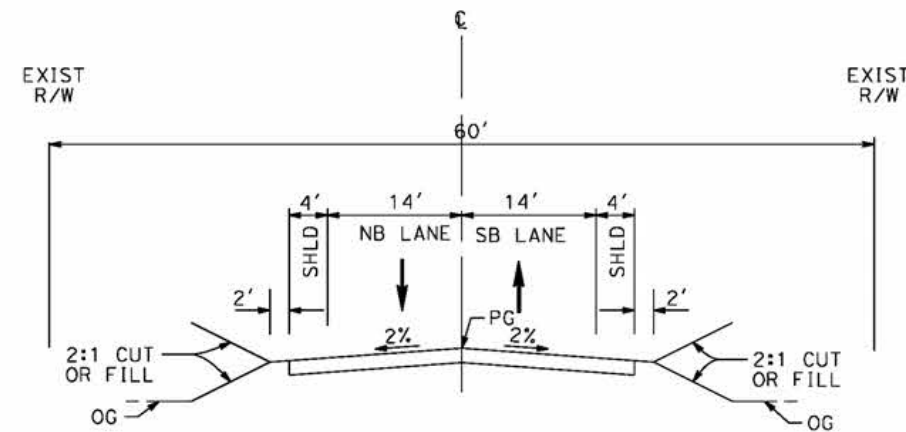
CONTRACT NO.  
 HSR14-42  
 DRAWING NO.  
 CV-T3001-E1  
 SCALE  
 NO SCALE  
 SHEET NO.



**ALISO CANYON ROAD**  
 STA 25+85 TO STA 27+92  
 SECONDARY HIGHWAY  
 PER LOS ANGELES COUNTY MASTER PLAN



**ALISO CANYON ROAD**  
 STA 21+00 TO STA 25+85  
 AND  
 STA 27+92 TO STA 35+41  
 SECONDARY HIGHWAY  
 PER LOS ANGELES COUNTY MASTER PLAN



**ALISO CANYON ROAD**  
 STA 10+00 TO STA 21+00  
 AND  
 STA 35+41 TO STA 51+00  
 SECONDARY HIGHWAY  
 PER LOS ANGELES COUNTY MASTER PLAN

c:\pwworkingdir\sener-us-pw-bentley.com\_sener-us-pw-01\dalila.cordoba\dms24259\VPB-CV-T3002-E1.dgn

4/27/2021 12:39:44 PM

cordo

REV	DATE	BY	CHK	APP	DESCRIPTION

DESIGNED BY  
**J.C. ALAMILLA**  
 DRAWN BY  
**A. SANZ**  
 CHECKED BY  
**W. GUO**  
 IN CHARGE  
**A. RELANO**  
 DATE  
**04/30/2021**

**PEPD RECORD SET**  
 REV 02  
**NOT FOR CONSTRUCTION**



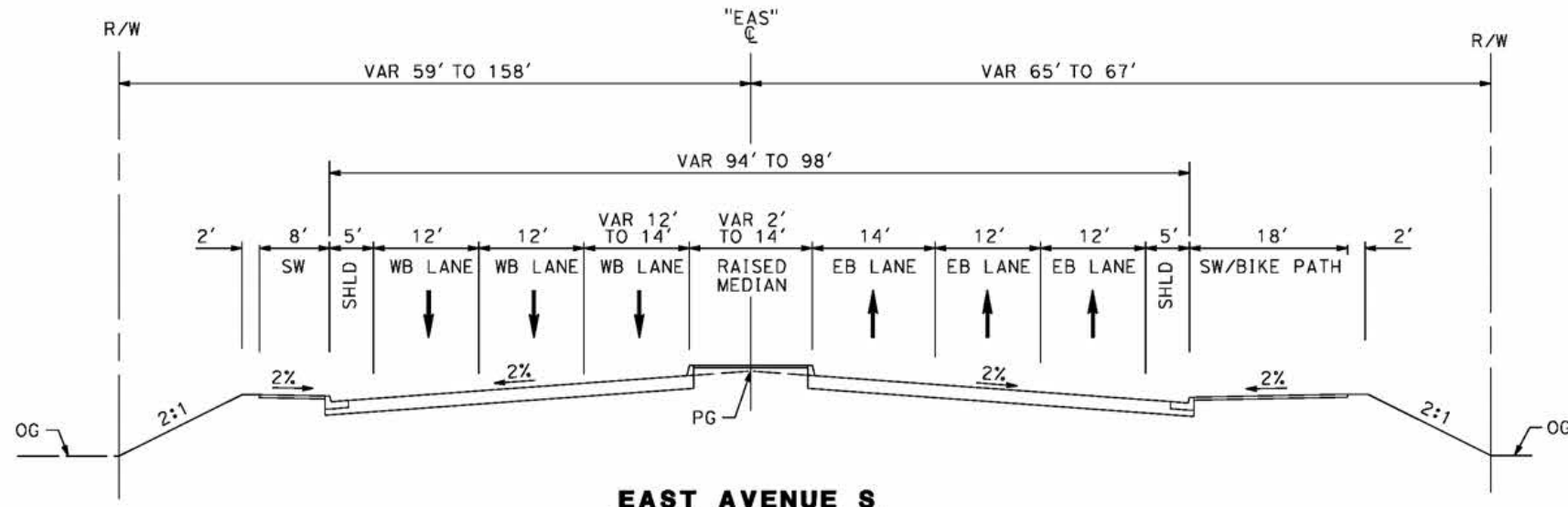
**CALIFORNIA HIGH-SPEED RAIL PROJECT**  
**PALMDALE TO BURBANK**  
 ALIGNMENT "E1"  
 TYPICAL SECTIONS  
 ALISO CANYON ROAD

CONTRACT NO.  
HSR14-42  
 DRAWING NO.  
CV-T3002-E1  
 SCALE  
NO SCALE  
 SHEET NO.

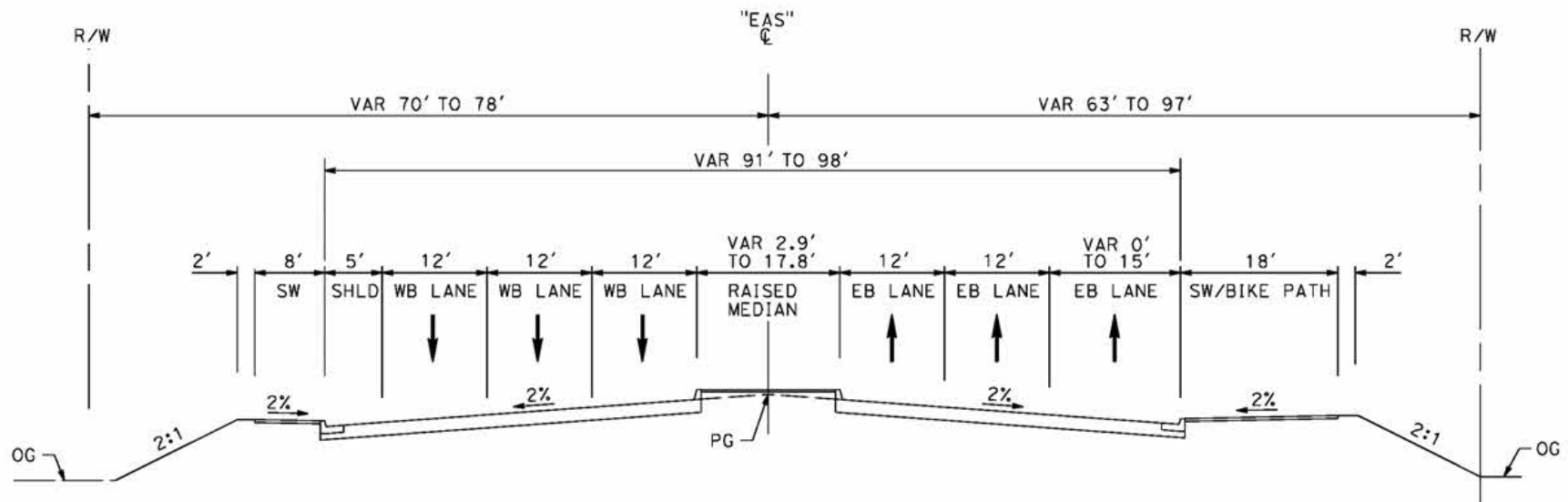
ct:\pwworkingdir\sener-us-pw-bentley.com\_sener-us-pw-01\dalila.cordoba\dms24259\7B-CV-T3003-E1.dgn

4/27/2021 12:41:22 PM

cordo



**EAST AVENUE S**  
 STA 90+00 TO STA 100+00  
 MAJOR ARTERIAL  
 PER CITY OF PALMDALE GENERAL PLAN



**EAST AVENUE S**  
 STA 83+84 TO STA 90+00  
 MAJOR ARTERIAL  
 PER CITY OF PALMDALE GENERAL PLAN

REV	DATE	BY	CHK	APP	DESCRIPTION

DESIGNED BY  
**J.C. ALAMILLA**  
 DRAWN BY  
**A. SANZ**  
 CHECKED BY  
**W. GUO**  
 IN CHARGE  
**A. RELANO**  
 DATE  
**04/30/2021**

**PEPD RECORD SET**  
 REV 02  
**NOT FOR CONSTRUCTION**



**CALIFORNIA HIGH-SPEED RAIL PROJECT**  
**PALMDALE TO BURBANK**  
 ALIGNMENT "E1"  
 TYPICAL SECTIONS  
 EAST AVENUE S  
 SHEET 1 OF 2

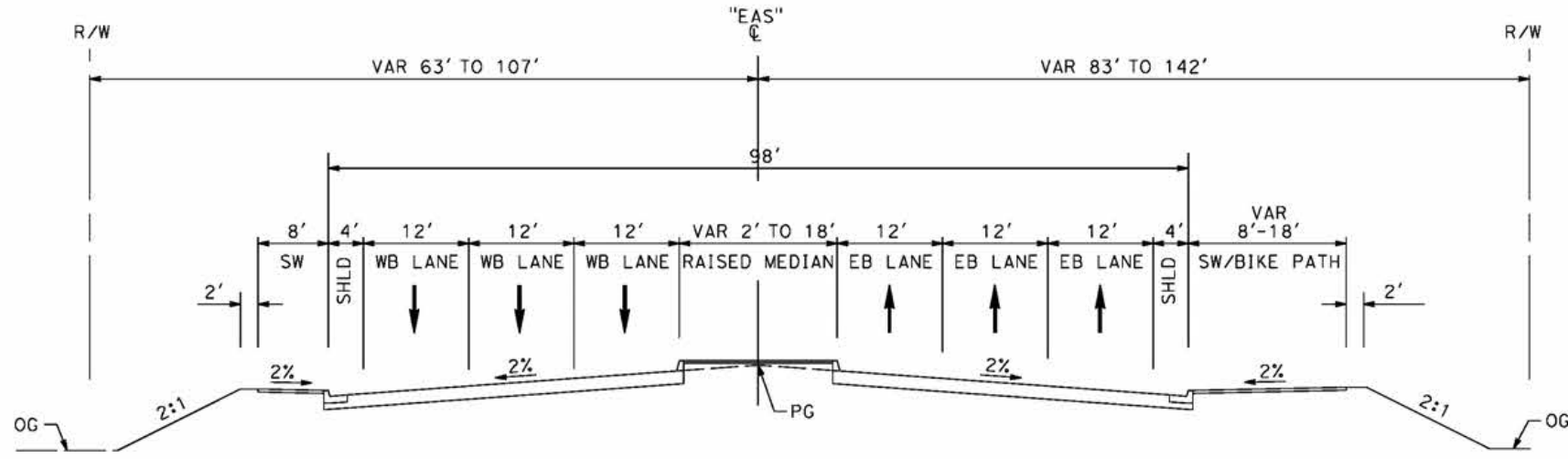
CONTRACT NO.  
 HSR14-42  
 DRAWING NO.  
 CV-T3003-E1  
 SCALE  
 NO SCALE  
 SHEET NO.



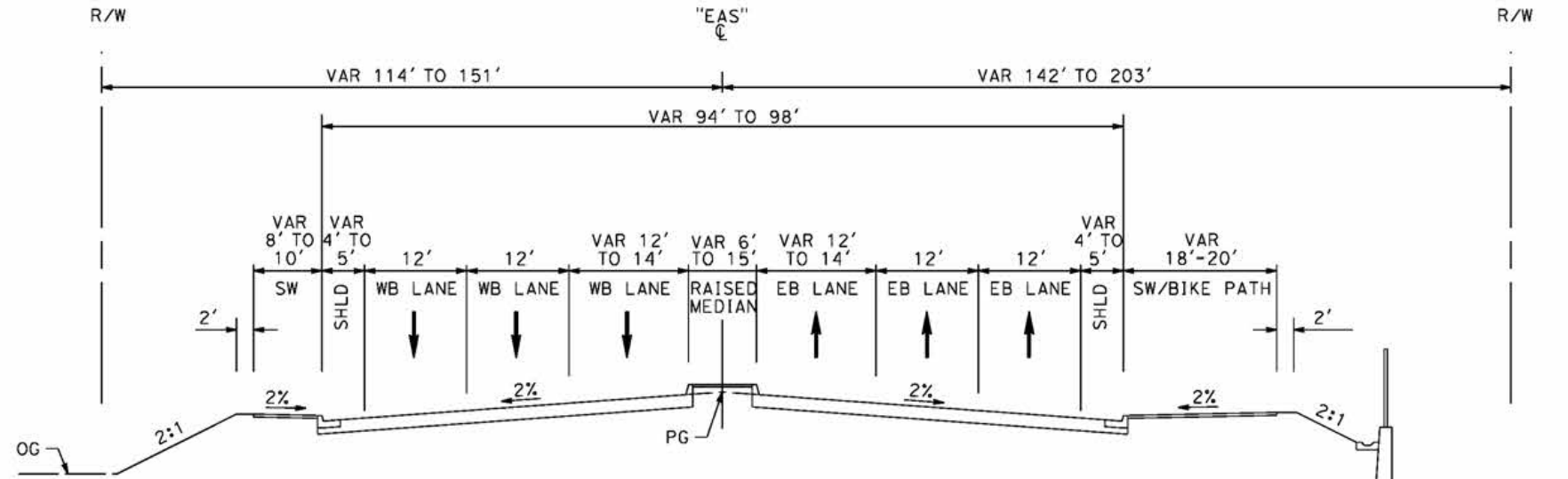
c:\pwworkingdir\sener-us-pw-bentley.com\_sener-us-pw-01\dalila.cordoba\dms24259\VPB-CV-T3004-E1.dgn

4/27/2021 12:42:47 PM

cordo



**EAST AVENUE S**  
 STA 109+12 TO STA 117+80  
 MAJOR ARTERIAL  
 PER CITY OF PALMDALE GENERAL PLAN



**EAST AVENUE S**  
 STA 104+00 TO STA 109+12  
 MAJOR ARTERIAL  
 PER CITY OF PALMDALE GENERAL PLAN

REV	DATE	BY	CHK	APP	DESCRIPTION

DESIGNED BY  
**J.C. ALAMILLA**  
 DRAWN BY  
**A. SANZ**  
 CHECKED BY  
**W. GUO**  
 IN CHARGE  
**A. RELANO**  
 DATE  
**04/30/2021**

**PEPD RECORD SET**  
 REV 02  
**NOT FOR CONSTRUCTION**



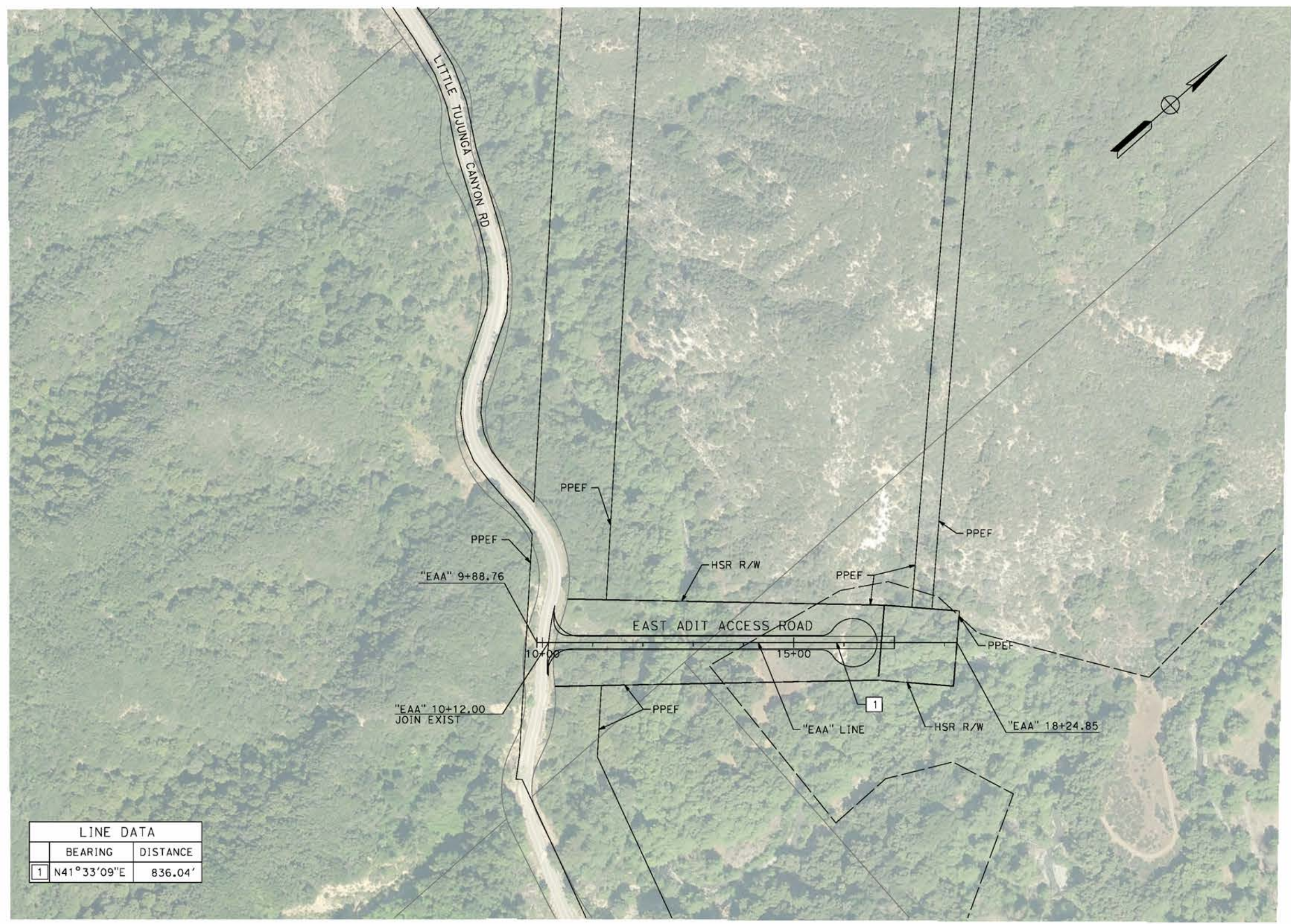
**CALIFORNIA HIGH-SPEED RAIL PROJECT**  
**PALMDALE TO BURBANK**  
 ALIGNMENT "E1"  
 TYPICAL SECTIONS  
 EAST AVENUE S  
 SHEET 2 OF 2

CONTRACT NO.  
HSR14-42  
 DRAWING NO.  
CV-T3004-E1  
 SCALE  
NO SCALE  
 SHEET NO.

c:\pwworkingdir\sener-us-pw-bentley.com\_sener-us-pw-01\dalio.cordoba\dms24259\PB-CV-Y4001-E1.dgn

5/21/2021 5:22:56 PM

cordo



LINE DATA		
	BEARING	DISTANCE
1	N41°33'09"E	836.04'

REV	DATE	BY	CHK	APP	DESCRIPTION

DESIGNED BY  
J.C. ALAMILLA  
DRAWN BY  
A. SANZ  
CHECKED BY  
W. GUO  
IN CHARGE  
A. RELANO  
DATE  
04/30/2021

**PEPD RECORD SET  
REV 02  
NOT FOR  
CONSTRUCTION**



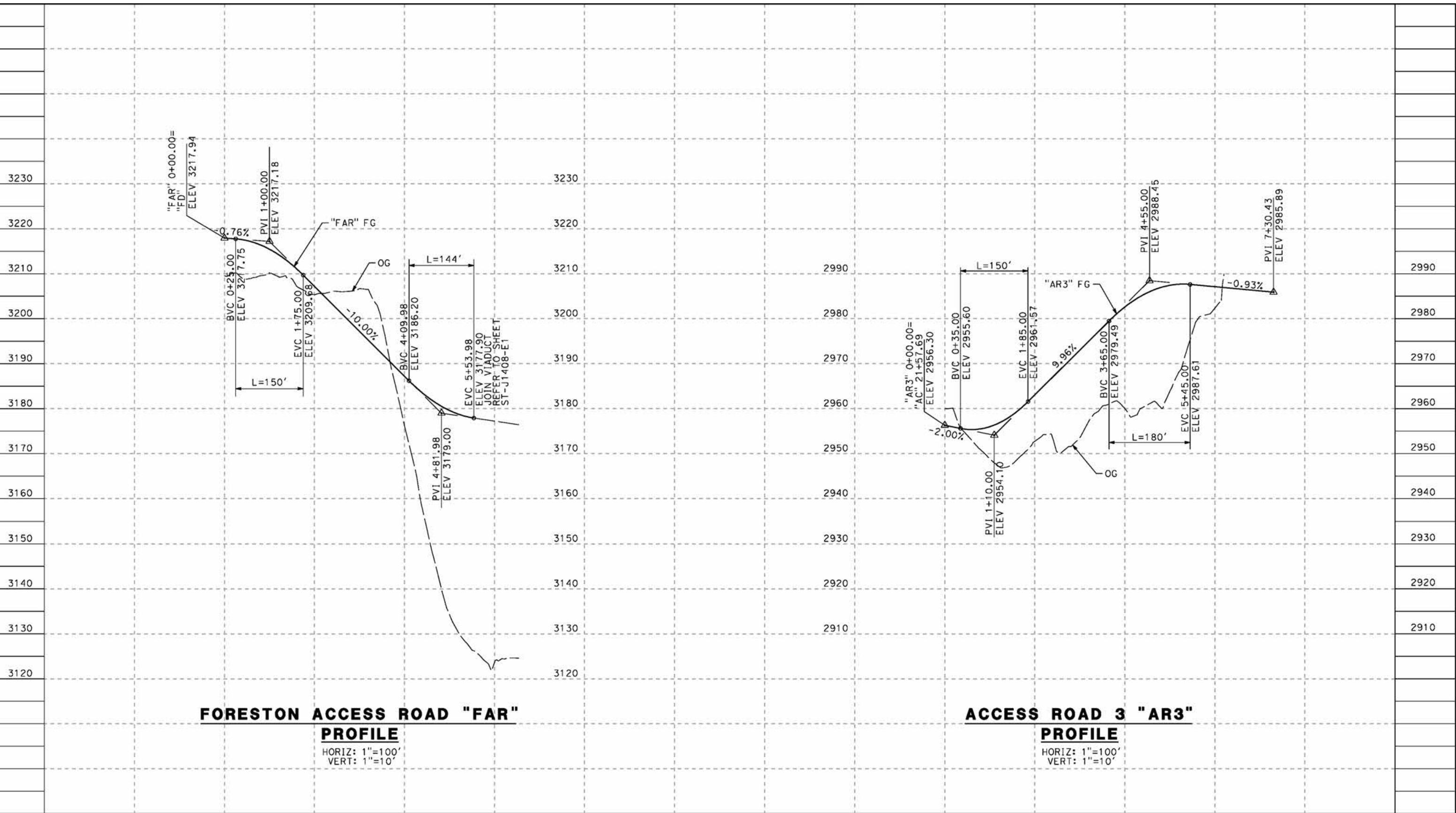
**CALIFORNIA HIGH-SPEED RAIL PROJECT  
PALMDALE TO BURBANK**  
ALIGNMENT "E1"  
ACCESS ROAD PLAN  
EAST ADIT ACCESS ROAD

CONTRACT NO.  
HSR14-42  
DRAWING NO.  
CV-Y4001-E1  
SCALE  
AS SHOWN  
SHEET NO.

ct:\pwworkingdir\sener-us-pw-bentley.com\_sener-us-pw-01\daifa.cordoba\dms24259\VPB-CV-Y1001-E1.dgn

5/10/2021 4:57:33 AM

cordo



**FORESTON ACCESS ROAD "FAR"**

**PROFILE**

HORIZ: 1"=100'  
VERT: 1"=10'

**ACCESS ROAD 3 "AR3"**

**PROFILE**

HORIZ: 1"=100'  
VERT: 1"=10'

STATION	0+00	2+00	4+00	6+00	0+00	2+00	4+00	6+00	TOTAL
CY	Exc								
	Emb								

DESIGNED BY  
**J.C. ALAMILLA**  
DRAWN BY  
**A. SANZ**  
CHECKED BY  
**W. GUO**  
IN CHARGE  
**A. RELANO**  
DATE  
**04/30/2021**

**PEPD RECORD SET  
REV 02**  
  
**NOT FOR  
CONSTRUCTION**



**CALIFORNIA HIGH-SPEED RAIL PROJECT  
PALMDALE TO BURBANK**  
ALIGNMENT "E1"  
ACCESS ROAD PROFILE  
FORESTON ACCESS ROAD AND ACCESS ROAD 3 - PORTAL 3

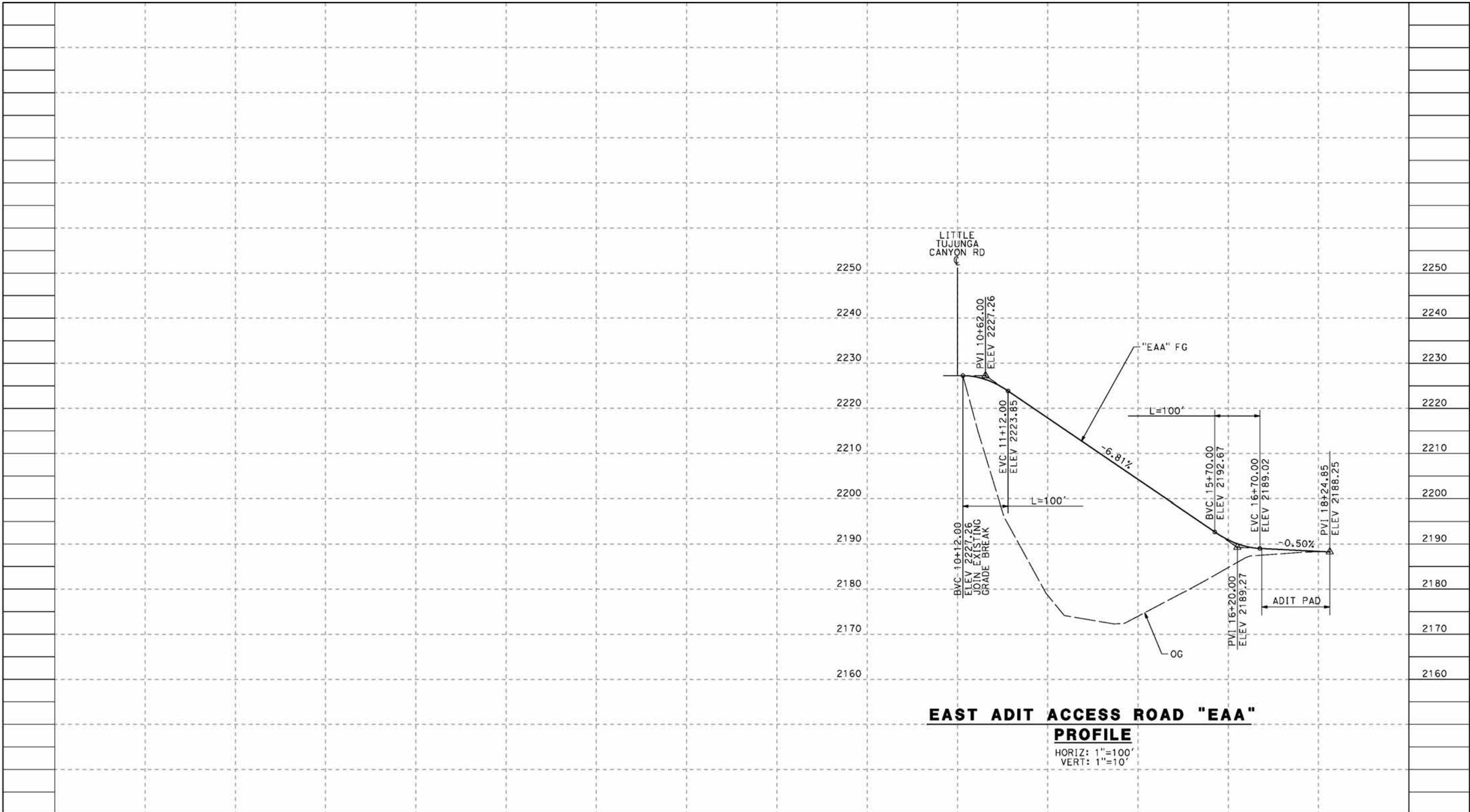
CONTRACT NO.  
HSR14-42  
DRAWING NO.  
CV-Y1001-E1  
SCALE  
AS SHOWN  
SHEET NO.

REV	DATE	BY	CHK	APP	DESCRIPTION

ct:\pwworkingdir\sener-us-pw-bentley.com\_sener-us-pw-01\dalifa.cordoba\dms24259VPB-CV-Y1002-E1.dgn

5/10/2021 5:05:43 AM

cordo



**EAST ADIT ACCESS ROAD "EAA" PROFILE**  
 HORIZ: 1"=100'  
 VERT: 1"=10'

STATION	14+00	16+00	18+00	20+00	22+00	10+00	12+00	14+00	16+00	18+00	TOTAL
CY	Exc										
	Emb										

REV	DATE	BY	CHK	APP	DESCRIPTION

DESIGNED BY  
**J.C. ALAMILLA**  
 DRAWN BY  
**A. SANZ**  
 CHECKED BY  
**W. GUO**  
 IN CHARGE  
**A. RELANO**  
 DATE  
**04/30/2021**

**PEPD RECORD SET  
 REV 02**  
  
**NOT FOR  
 CONSTRUCTION**



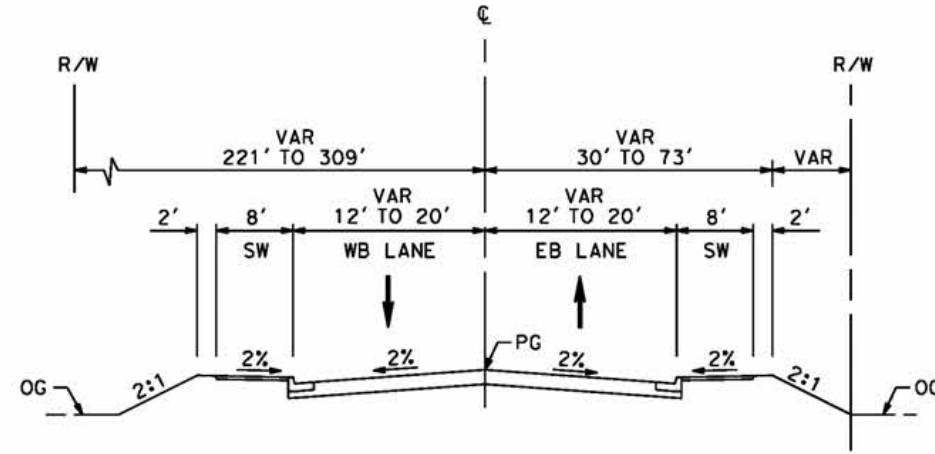
**CALIFORNIA HIGH-SPEED RAIL PROJECT  
 PALMDALE TO BURBANK**  
 ALIGNMENT "E1"  
 ACCESS ROAD PROFILE  
 EAST ADIT ACCESS ROAD

CONTRACT NO.  
HSR14-42  
 DRAWING NO.  
CV-Y1002-E1  
 SCALE  
AS SHOWN  
 SHEET NO.

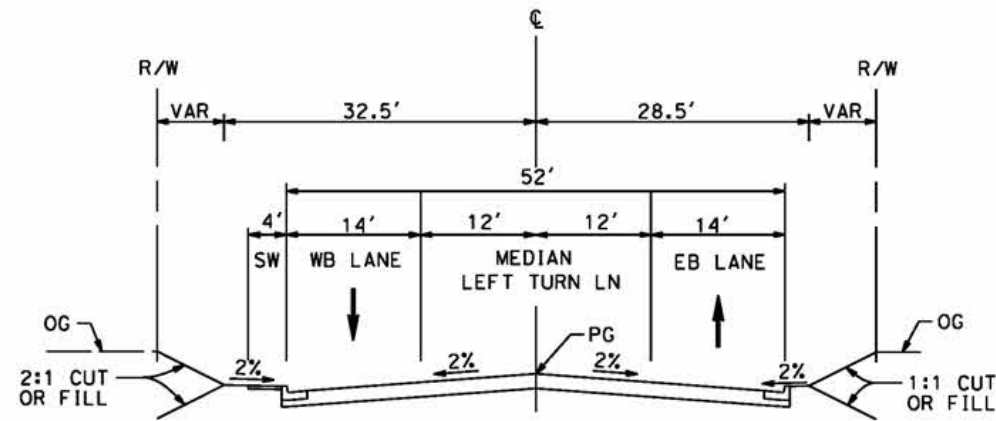
ct:\pwworkingdir\sener-us-pw-bentley.com\_sener-us-pw-01\dalia.cordoba\dms24259\VPB-CV-Y3001-E1.dgn

7/22/2021 12:39:29 AM

cordo



**VALLEY FORGE**  
 STA 10+34 TO 15+34  
 RESIDENTIAL STREET (E)  
 PER CITY OF PALMDALE GENERAL PLAN



**EAST AVENUE R11**  
 STA 10+00 TO STA 18+73  
 LOCAL INTERIOR STREET  
 PER CITY OF PALMDALE GENERAL PLAN

REV	DATE	BY	CHK	APP	DESCRIPTION

DESIGNED BY  
J.C. ALAMILLA  
 DRAWN BY  
A. SANZ  
 CHECKED BY  
W. GUO  
 IN CHARGE  
A. RELANO  
 DATE  
04/30/2021

**PEPD RECORD SET**  
 REV 02  
**NOT FOR CONSTRUCTION**



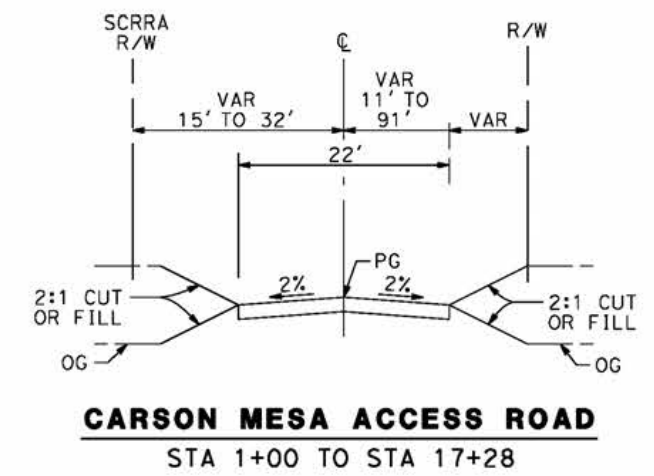
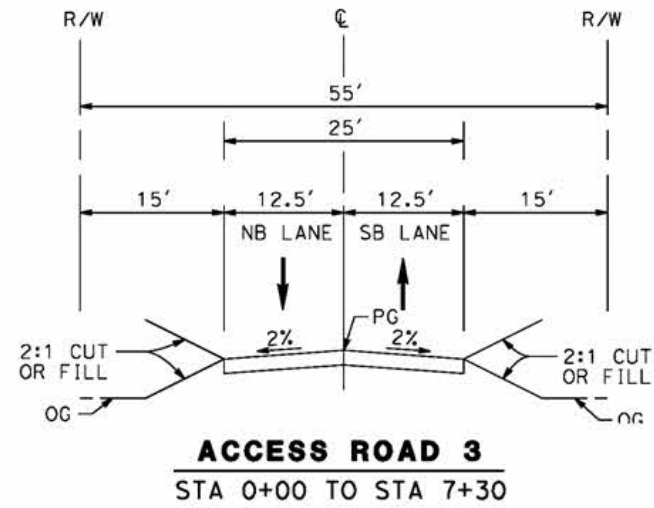
**CALIFORNIA HIGH-SPEED RAIL PROJECT**  
**PALMDALE TO BURBANK**  
 ALIGNMENT "E1"  
 TYPICAL SECTIONS  
 VALLEY FORGE AND EAST AVE R11

CONTRACT NO.  
HSR14-42  
 DRAWING NO.  
CV-Y3001-E1  
 SCALE  
NO SCALE  
 SHEET NO.

c:\pwworkingdir\sener-us-pw-bentley.com\_sener-us-pw-01\dalila.cordoba\dms24259\VPB-CV-Y3002-E1.dgn

4/27/2021 1:00:27 PM

cordo



REV	DATE	BY	CHK	APP	DESCRIPTION

DESIGNED BY  
**J.C. ALAMILLA**

DRAWN BY  
**A. SANZ**

CHECKED BY  
**W. GUO**

IN CHARGE  
**A. RELANO**

DATE  
**04/30/2021**

**PEPD RECORD SET**  
REV 02

**NOT FOR CONSTRUCTION**



**CALIFORNIA HIGH-SPEED RAIL PROJECT**  
**PALMDALE TO BURBANK**  
ALIGNMENT "E1"  
TYPICAL SECTIONS  
CARSON MESA ACCESS ROAD AND ACCESS ROAD 3

CONTRACT NO.  
HSR14-42

DRAWING NO.  
CV-Y3002-E1

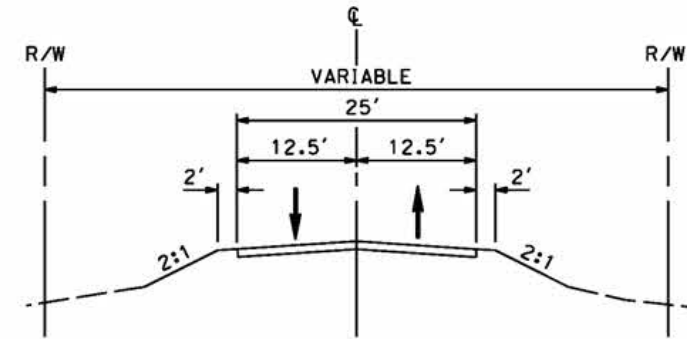
SCALE  
NO SCALE

SHEET NO.

ct:\pwworkingdir\sener-us-pw-bentley.com\_sener-us-pw-01\dalio.cordoba\dms24259\VPB-CV-Y3003-E1.dgn

7/22/2021 12:41:29 AM

cordo



**EAST ADIT ACCESS ROAD**  
STA 10+00 TO STA 18+25

REV	DATE	BY	CHK	APP	DESCRIPTION

DESIGNED BY  
J.C. ALAMILLA  
DRAWN BY  
A. SANZ  
CHECKED BY  
W. GUO  
IN CHARGE  
A. RELANO  
DATE  
04/30/2021

**PEPD RECORD SET  
REV 02  
NOT FOR  
CONSTRUCTION**



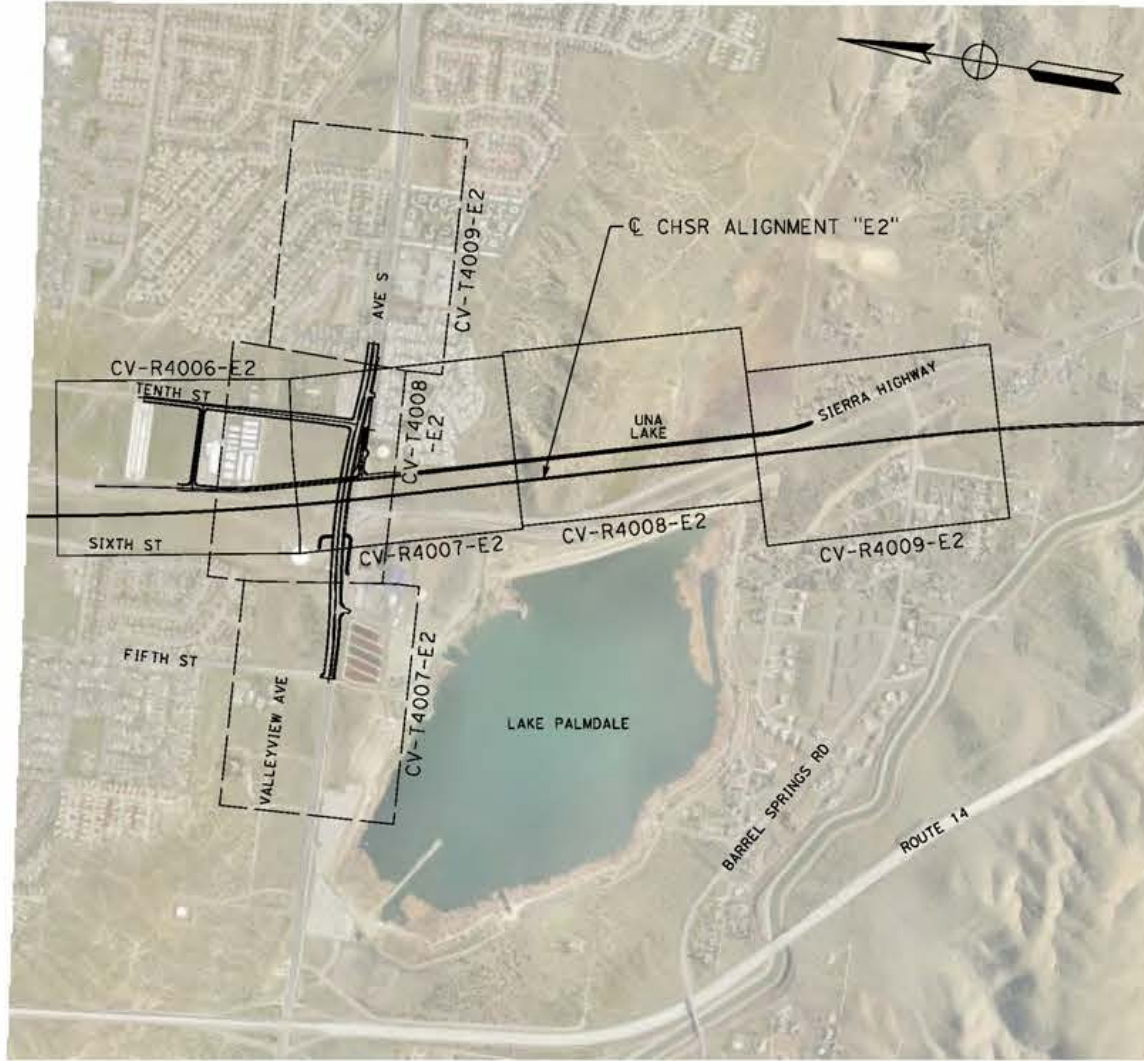
**CALIFORNIA HIGH-SPEED RAIL PROJECT  
PALMDALE TO BURBANK**  
ALIGNMENT "E1"  
TYPICAL SECTIONS  
EAST ADIT ACCESS ROAD

CONTRACT NO.  
HSR14-42  
DRAWING NO.  
CV-Y3003-E1  
SCALE  
NO SCALE  
SHEET NO.

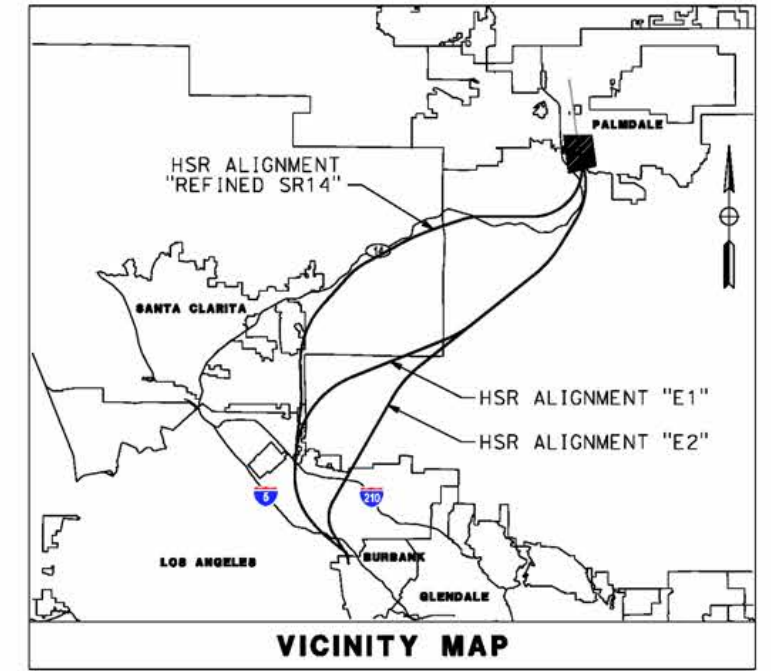
c:\pwworkingdir\sener-us-pw-bentley.com\_sener-us-pw-01\dalio.coroba\dms24260VPB-CV-B0001-E2.dgn

5/24/2021 12:37:04 AM



cordo



**E2**



LEGEND:

-  ROADWAY PLAN AND ACCESS ROAD PLAN
-  GRADE SEPARATION PLAN



REV	DATE	BY	CHK	APP	DESCRIPTION

DESIGNED BY  
J.C. ALAMILLA  
DRAWN BY  
A. SANZ  
CHECKED BY  
W. GUO  
IN CHARGE  
A. RELANO  
DATE  
04/30/2021

**PEPD RECORD SET  
REV 02  
NOT FOR  
CONSTRUCTION**



**CALIFORNIA HIGH-SPEED RAIL PROJECT  
PALMDALE TO BURBANK**  
ALIGNMENT "E2"  
ROADWAY AND GRADE SEPARATION PLAN  
KEY MAP  
SHEET 1 OF 3

CONTRACT NO.  
HSR14-42  
DRAWING NO.  
CV-B0001-E2  
SCALE  
AS SHOWN  
SHEET NO.



c:\pwworkingdir\sener-us-pw-bentley.com\_sener-us-pw-01\dalio.coroba\dms24260VPB-CV-B0002-E2.dgn

5/24/2021 12:39:49 AM

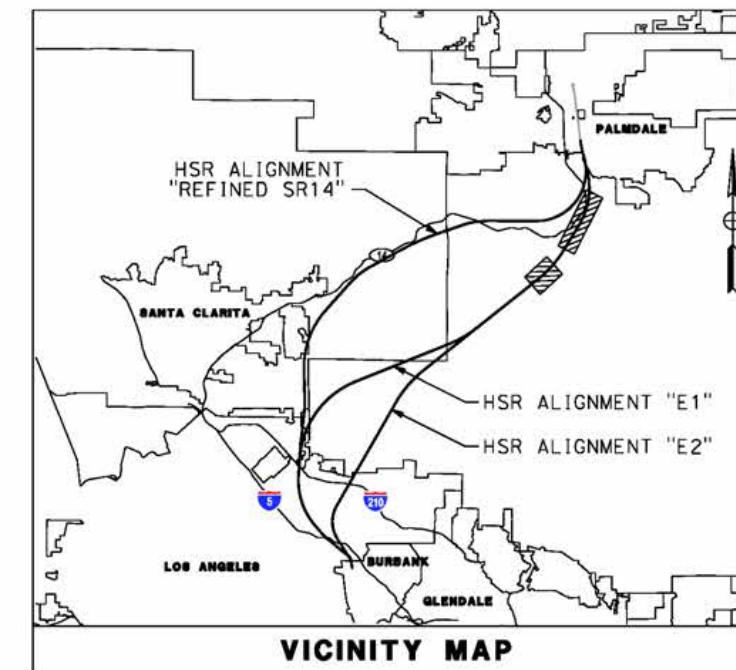
cordo



**E2**





**E2**



**VICINITY MAP**

**LEGEND:**

-  ROADWAY PLAN AND ACCESS ROAD PLAN
-  GRADE SEPARATION PLAN



REV	DATE	BY	CHK	APP	DESCRIPTION

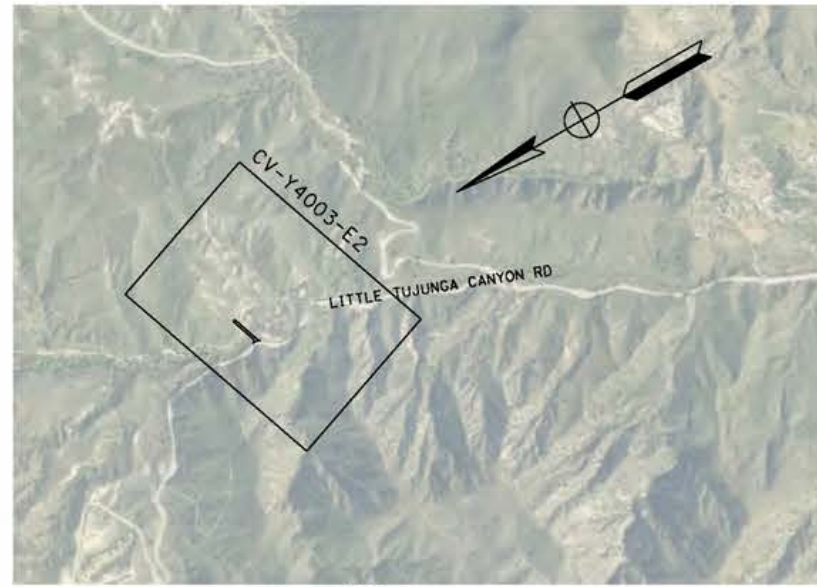
DESIGNED BY  
J.C. ALAMILLA  
DRAWN BY  
A. SANZ  
CHECKED BY  
W. GUO  
IN CHARGE  
A. RELANO  
DATE  
04/30/2021

**PEPD RECORD SET  
REV 02  
NOT FOR  
CONSTRUCTION**



**CALIFORNIA HIGH-SPEED RAIL PROJECT  
PALMDALE TO BURBANK**  
ALIGNMENT "E2"  
ROADWAY AND GRADE SEPARATION PLAN  
KEY MAP  
SHEET 2 OF 3


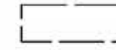
CONTRACT NO.  
HSR14-42  
DRAWING NO.  
CV-B0002-E2  
SCALE  
AS SHOWN  
SHEET NO.

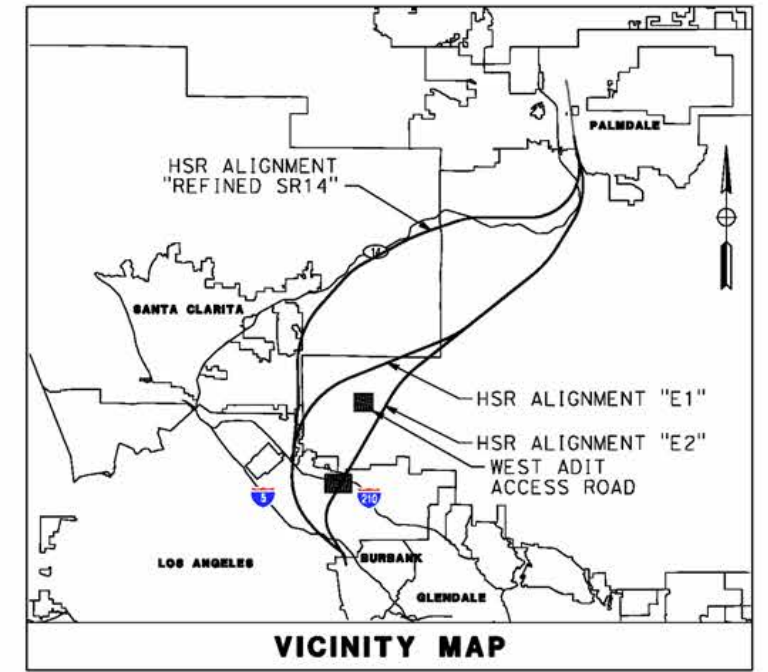


**E2**

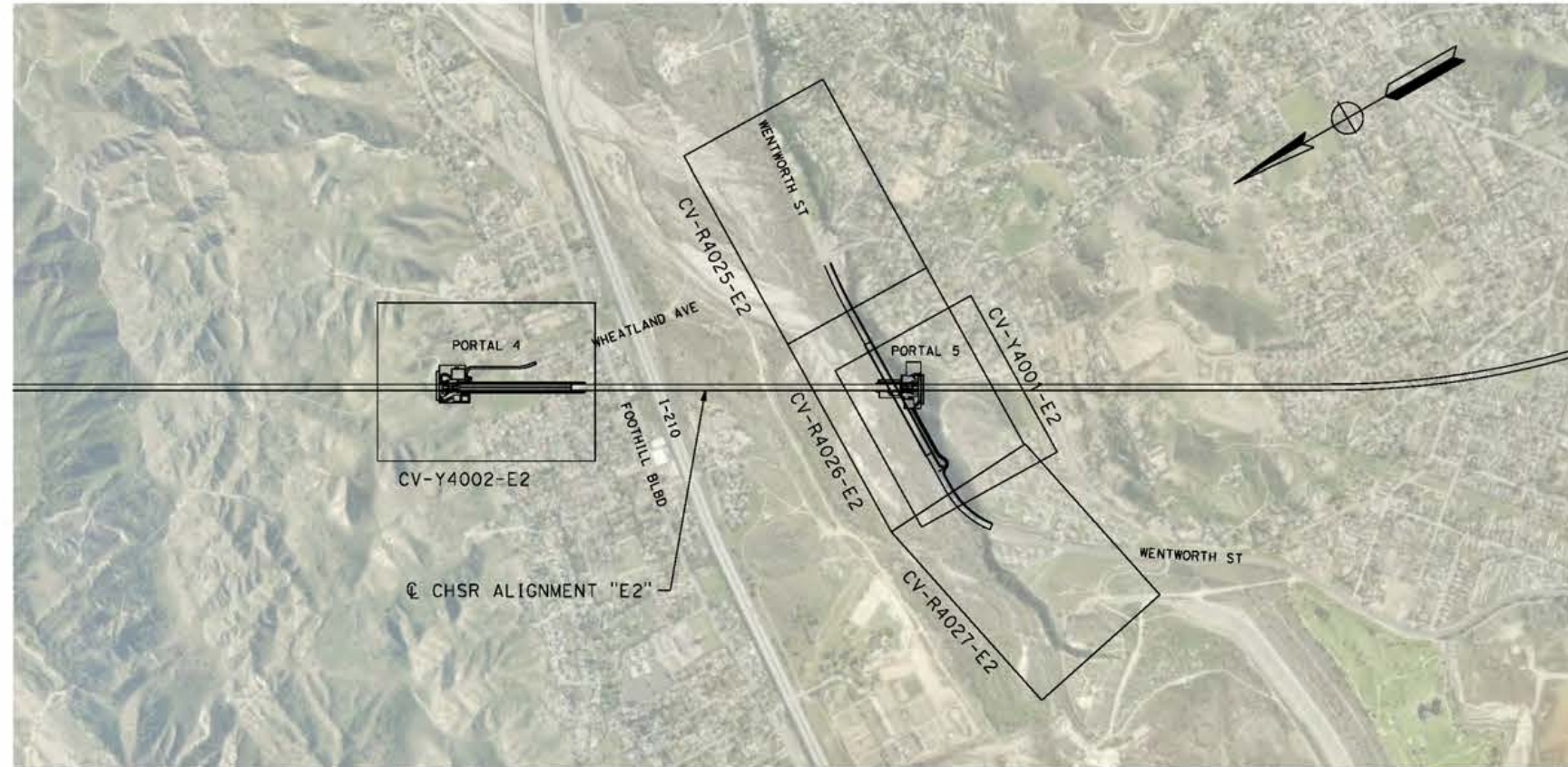
AT APPROXIMATE CHSR ALIGNMENT "E2" STA 1463+50

**LEGEND:**

-  ROADWAY PLAN AND ACCESS ROAD PLAN
-  GRADE SEPARATION PLAN



**VICINITY MAP**



**E2**



c:\pwworkingdir\sener-us-pw-bentley.com\_sener-us-pw-01\dalio.cordoba\dms24260\VB-CV-B0003-E2.dgn

5/24/2021 12:44:31 AM

cordo

REV	DATE	BY	CHK	APP	DESCRIPTION

DESIGNED BY  
J.C. ALAMILLA  
DRAWN BY  
A. SANZ  
CHECKED BY  
W. GUO  
IN CHARGE  
A. RELANO  
DATE  
04/30/2021

**PEPD RECORD SET  
REV 02  
NOT FOR  
CONSTRUCTION**



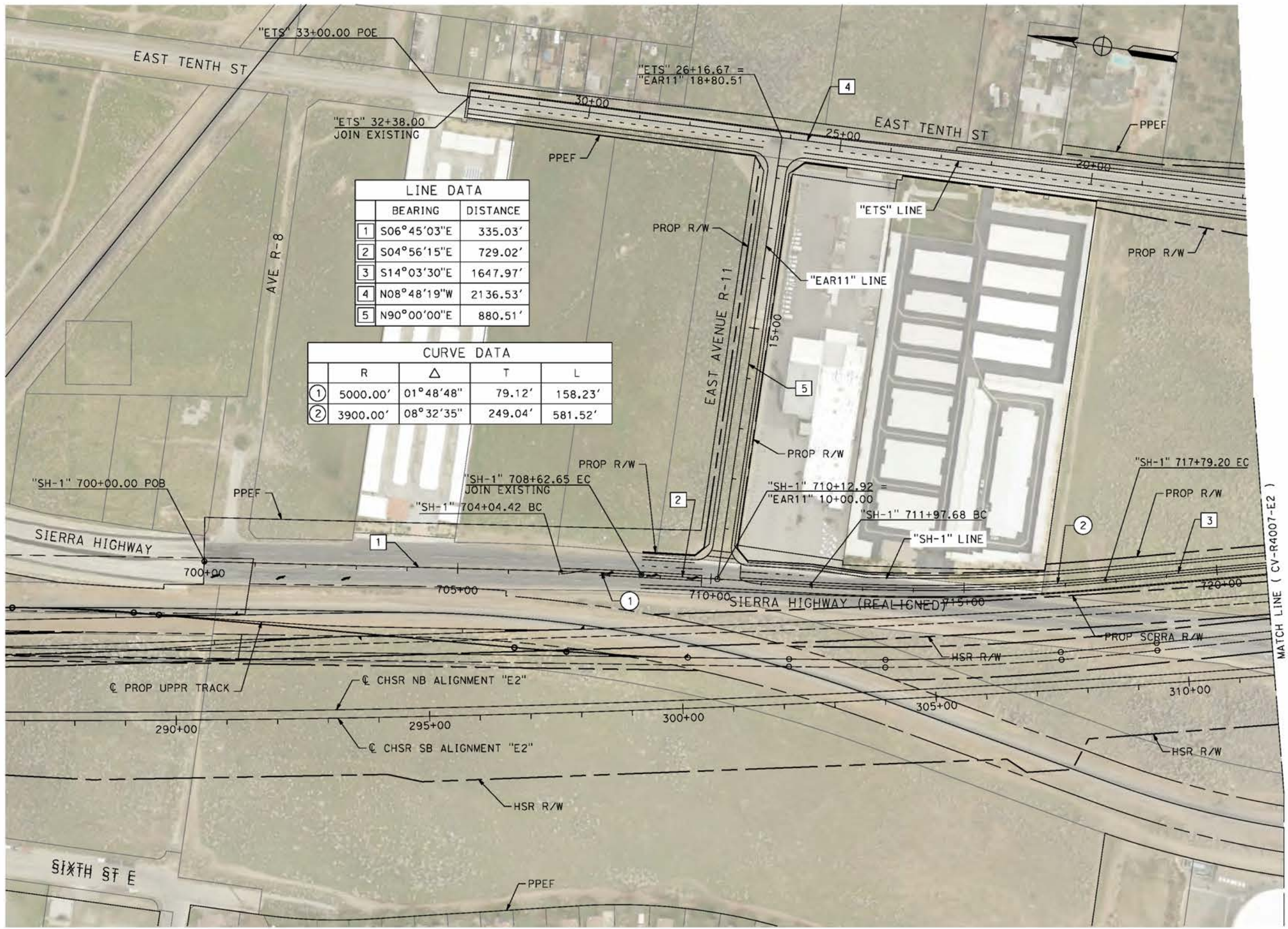
**CALIFORNIA HIGH-SPEED RAIL PROJECT  
PALMDALE TO BURBANK**  
ALIGNMENT "E2"  
ROADWAY AND GRADE SEPARATION PLAN  
KEY MAP  
SHEET 3 OF 3

CONTRACT NO.  
HSR14-42  
DRAWING NO.  
CV-B0003-E2  
SCALE  
AS SHOWN  
SHEET NO.

c:\pwworkingdir\sener-us-pw-bentley.com\_sener-us-pw-01\dalio.coroba\dms24260\VB-CV-R4006-E2.dgn

5/12/2021 7:33:29 PM

cordo



LINE DATA		
	BEARING	DISTANCE
1	S06°45'03"E	335.03'
2	S04°56'15"E	729.02'
3	S14°03'30"E	1647.97'
4	N08°48'19"W	2136.53'
5	N90°00'00"E	880.51'

CURVE DATA				
	R	Δ	T	L
①	5000.00'	01°48'48"	79.12'	158.23'
②	3900.00'	08°32'35"	249.04'	581.52'



REV	DATE	BY	CHK	APP	DESCRIPTION

DESIGNED BY  
J.C. ALAMILLA  
DRAWN BY  
A. SANZ  
CHECKED BY  
W. GUO  
IN CHARGE  
A. RELANO  
DATE  
04/30/2021

**PEPD RECORD SET**  
REV 02  
**NOT FOR CONSTRUCTION**



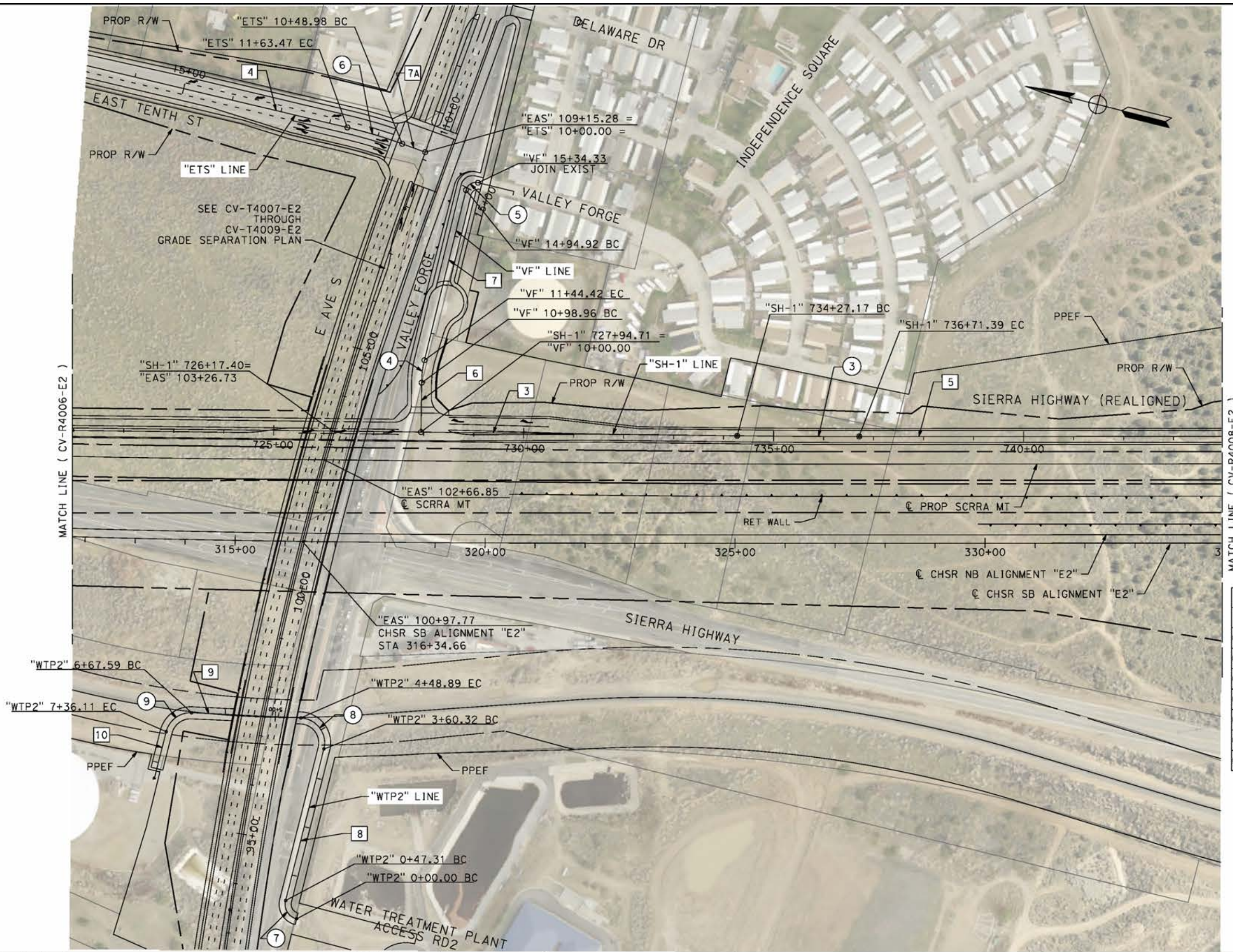
**CALIFORNIA HIGH-SPEED RAIL PROJECT**  
**PALMDALE TO BURBANK**  
ALIGNMENT "E2"  
ROADWAY PLAN  
SIERRA HIGHWAY "SH-1"  
SHEET 1 OF 4

CONTRACT NO.  
HSR14-42  
DRAWING NO.  
CV-R4006-E2  
SCALE  
AS SHOWN  
SHEET NO.

ct:\pwworkingdir\sener-us-pw-bentley.com\_sener-us-pw-01\dalio.cordoba\dms24260vrb-cv-r4007-e2.dgn

5/27/2021 7:43:43 AM

cordo



LINE DATA		
	BEARING	DISTANCE
3	S13°28'51"E	1647.97'
4	N0°48'19"W	2136.53'
5	S14°10'49"E	3404.81'
6	N76°31'09"E	98.96'
7	N89°32'35"E	350.5'
7A	N05°45'15"E	48.98'
8	S90°00'00"E	313.01'
9	N11°29'20"W	218.71'
10	N90°00'00"W	81.31'

CURVE DATA				
	R	Δ	T	L
3	2000.00'	00°41'59"	122.11'	244.21'
4	200.00'	13°01'26"	22.83'	45.46'
5	20.00'	90°00'00"	20.00'	31.42'
6	1000.00'	06°33'34"	57.30'	114.48'
7	30.00'	90°21'40"	30.19'	47.13'
8	50.00'	01°29'20"	61.18'	88.56'
9	50.00'	78°30'39"	40.86'	114.48'



REV	DATE	BY	CHK	APP	DESCRIPTION

DESIGNED BY  
J.C. ALAMILLA  
DRAWN BY  
A. SANZ  
CHECKED BY  
W. GUO  
IN CHARGE  
A. RELANO  
DATE  
04/30/2021

**PEPD RECORD SET**  
**REV 02**  
  
**NOT FOR CONSTRUCTION**



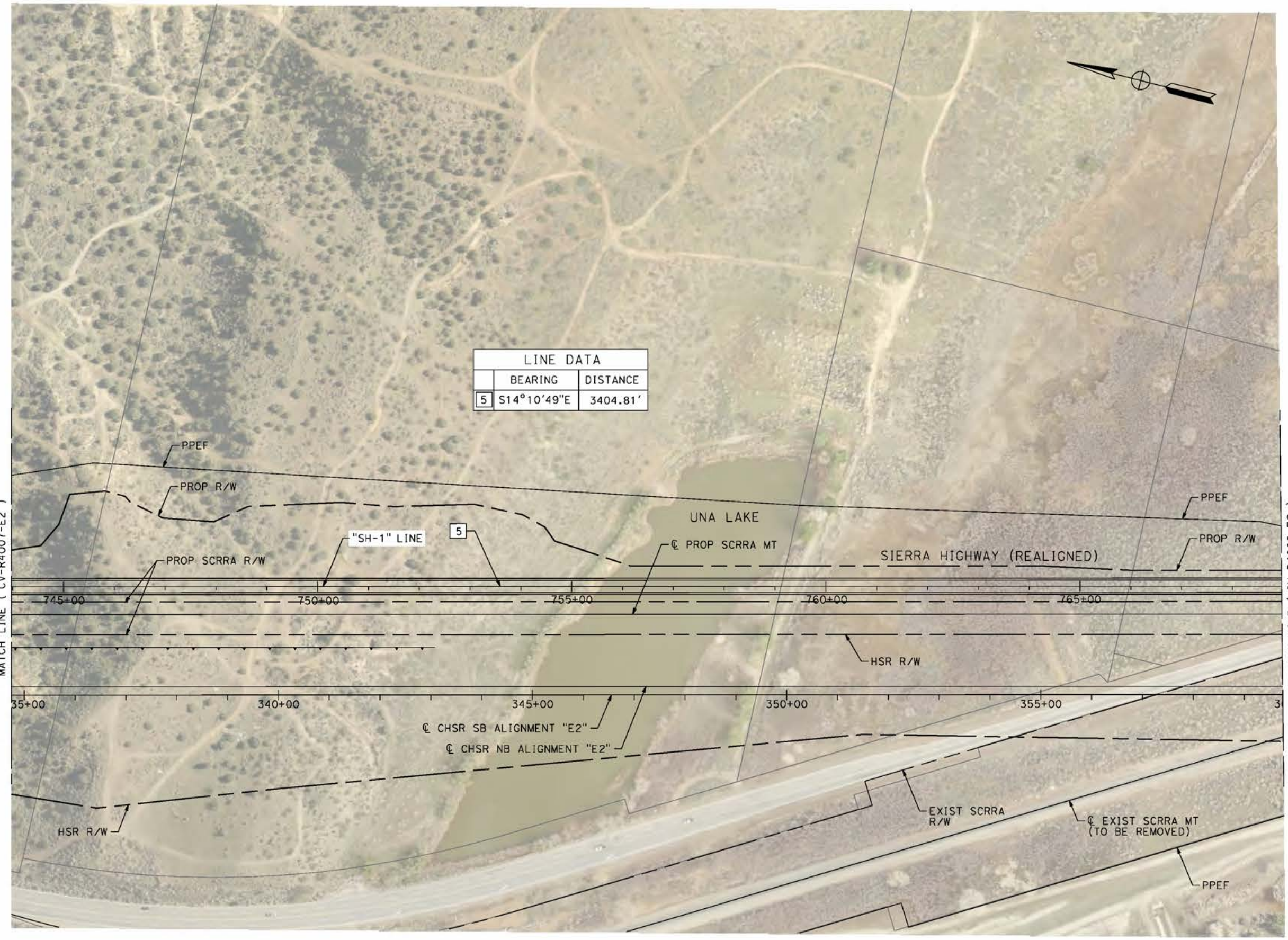
**CALIFORNIA HIGH-SPEED RAIL PROJECT**  
**PALMDALE TO BURBANK**  
ALIGNMENT "E2"  
ROADWAY PLAN  
SIERRA HIGHWAY "SH-1" AND WATER TREATMENT PLANT  
ACCESS RD2 - SHEET 2 OF 4

CONTRACT NO.  
HSR14-42  
DRAWING NO.  
CV-R4007-E2  
SCALE  
AS SHOWN  
SHEET NO.

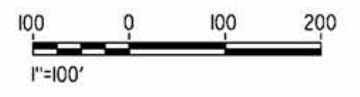
ct:\pwworkingdir\sener-us-pw-bentley.com\_sener-us-pw-01\dalio.cordoba\dms24260\VPB-CV-R4008-E2.dgn

5/12/2021 7:43:01 PM

cordo



LINE DATA	
BEARING	DISTANCE
5 S14°10'49"E	3404.81'



REV	DATE	BY	CHK	APP	DESCRIPTION

DESIGNED BY  
J.C. ALAMILLA  
DRAWN BY  
A. SANZ  
CHECKED BY  
W. GUO  
IN CHARGE  
A. RELANO  
DATE  
04/30/2021

**PEPD RECORD SET**  
**REV 02**  
**NOT FOR CONSTRUCTION**



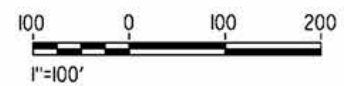
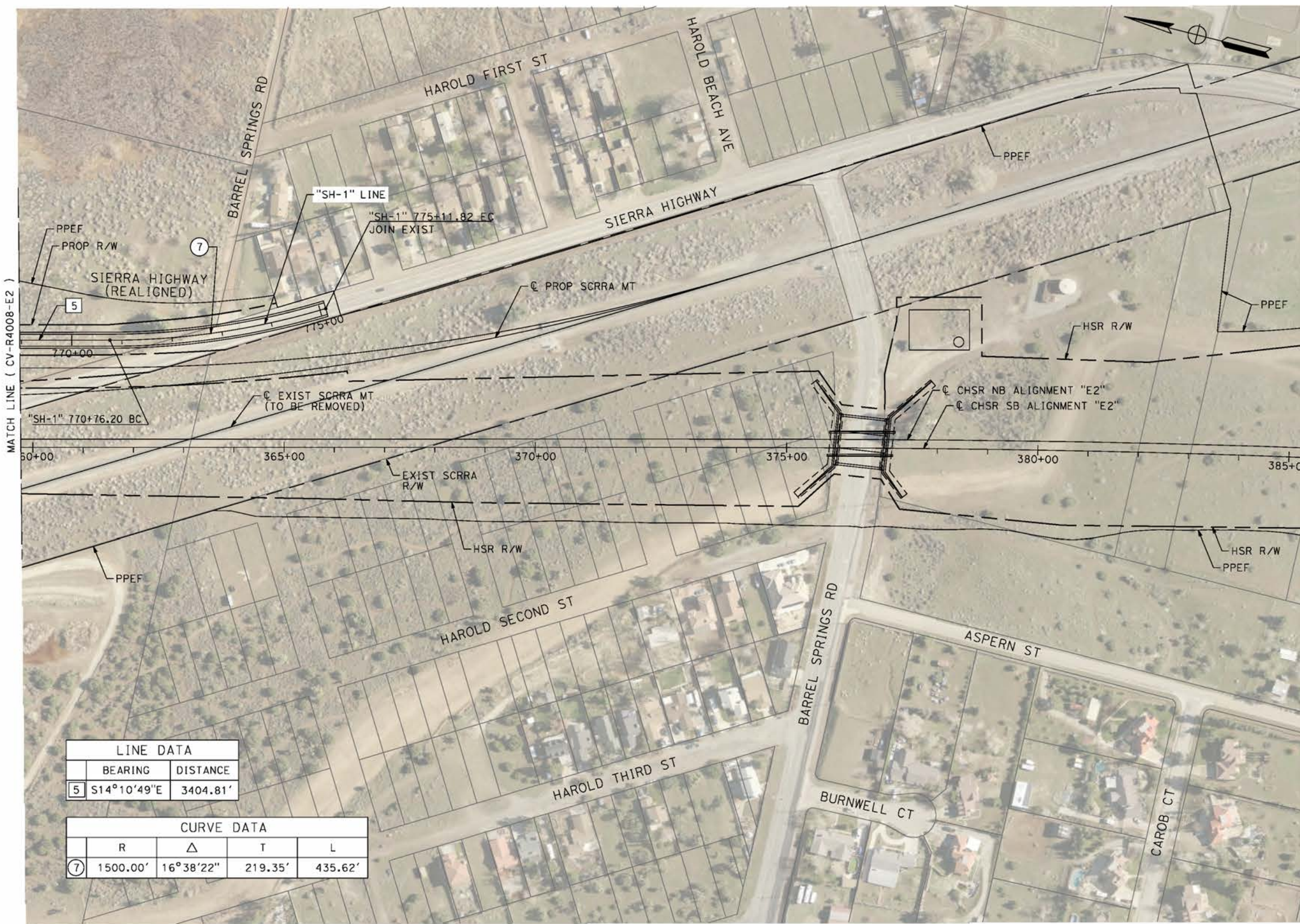
**CALIFORNIA HIGH-SPEED RAIL PROJECT**  
**PALMDALE TO BURBANK**  
ALIGNMENT "E2"  
ROADWAY PLAN  
SIERRA HIGHWAY "SH-1"  
SHEET 3 OF 4

CONTRACT NO.  
HSR14-42  
DRAWING NO.  
CV-R4008-E2  
SCALE  
AS SHOWN  
SHEET NO.

ct:\pwworkingdir\sener-us-pw-bentley.com\_sener-us-pw-01\dalio.cordoba\dms24260\VB-CV-R4009-E2.dgn

5/27/2021 6:30:47 AM

cordo



LINE DATA	
BEARING	DISTANCE
5 S14°10'49"E	3404.81'

CURVE DATA			
R	Δ	T	L
7 1500.00'	16°38'22"	219.35'	435.62'

REV	DATE	BY	CHK	APP	DESCRIPTION

DESIGNED BY  
J.C. ALAMILLA  
DRAWN BY  
A. SANZ  
CHECKED BY  
W. GUO  
IN CHARGE  
A. RELANO  
DATE  
04/30/2021

**PEPD RECORD SET  
REV 02  
NOT FOR  
CONSTRUCTION**



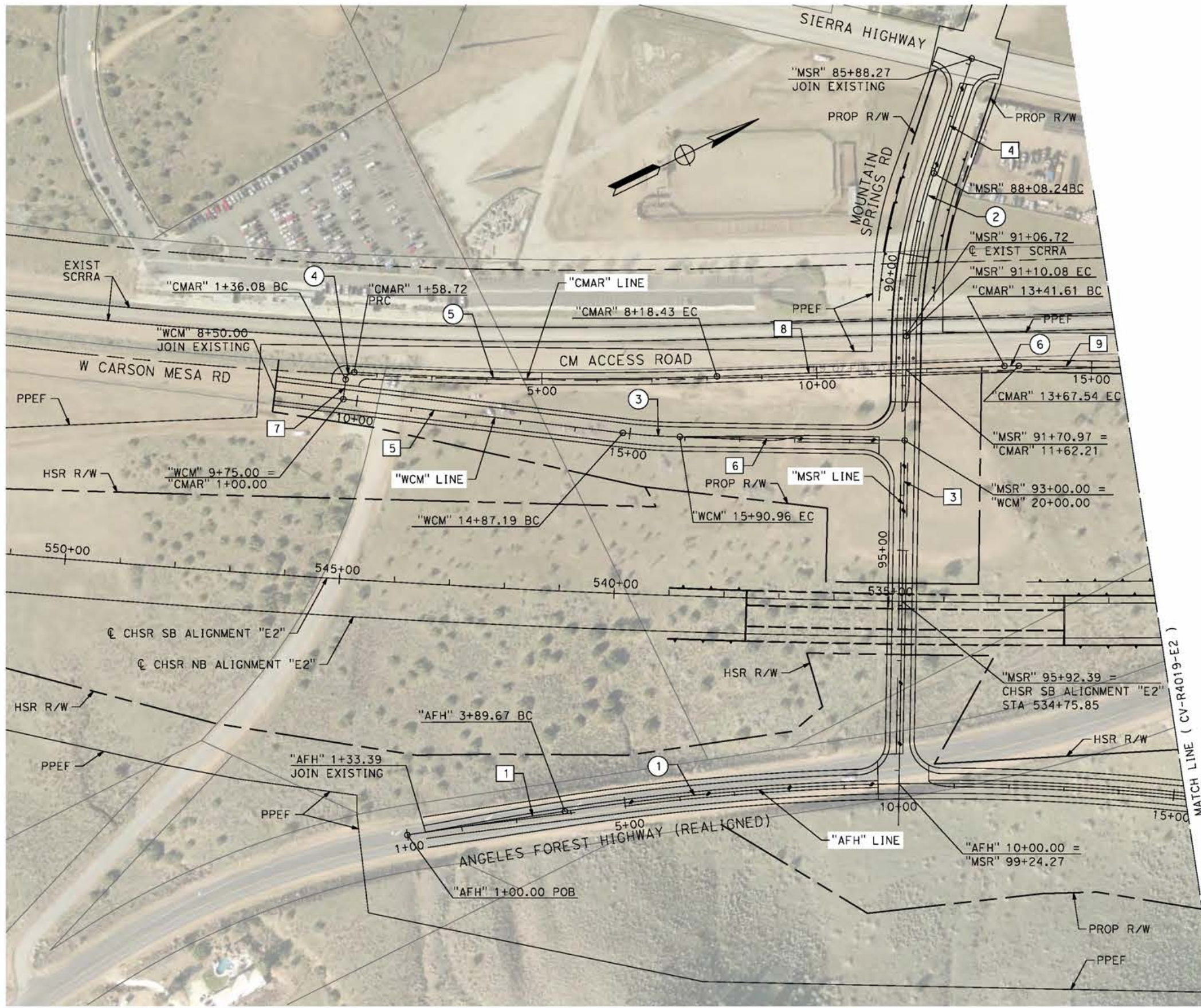
**CALIFORNIA HIGH-SPEED RAIL PROJECT  
PALMDALE TO BURBANK**  
ALIGNMENT "E2"  
ROADWAY PLAN  
SIERRA HIGHWAY "SH-1"  
SHEET 4 OF 4

CONTRACT NO.  
HSR14-42  
DRAWING NO.  
CV-R4009-E2  
SCALE  
AS SHOWN  
SHEET NO.

ct:\pwworkingdir\sener-us-pw-bentley.com\_sener-us-pw-01\dalio.cordoba\dms24260VPB-CV-R4018-E2.dgn

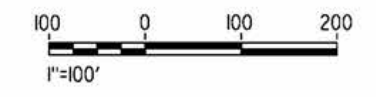
5/25/2021 8:31:09 PM

cordo



LINE DATA		
	BEARING	DISTANCE
1	N17°29'36"E	256.29'
3	S62°58'16"E	814.19'
4	S45°40'37"E	219.97'
5	N32°58'29"E	664.55'
6	N27°01'44"E	409.04'
7	N57°01'31"W	36.08'
8	N24°02'23"E	523.18'
9	N27°01'44"E	360.52'

CURVE DATA				
	R	Δ	T	L
1	4500.00'	15°15'24"	602.75'	1198.37'
2	1000.00'	17°17'39"	152.08'	301.84'
3	1000.00'	05°56'46"	51.94'	103.78'
4	15.00'	86°27'45"	14.10'	22.64'
5	7003.00'	05°23'51"	330.10'	659.71'
6	497.00'	2°59'20"	12.97'	25.93'



REV	DATE	BY	CHK	APP	DESCRIPTION

DESIGNED BY  
J.C. ALAMILLA  
DRAWN BY  
A. SANZ  
CHECKED BY  
W. GUO  
IN CHARGE  
A. RELANO  
DATE  
04/30/2021

**PEPD RECORD SET**  
**REV 02**  
**NOT FOR CONSTRUCTION**



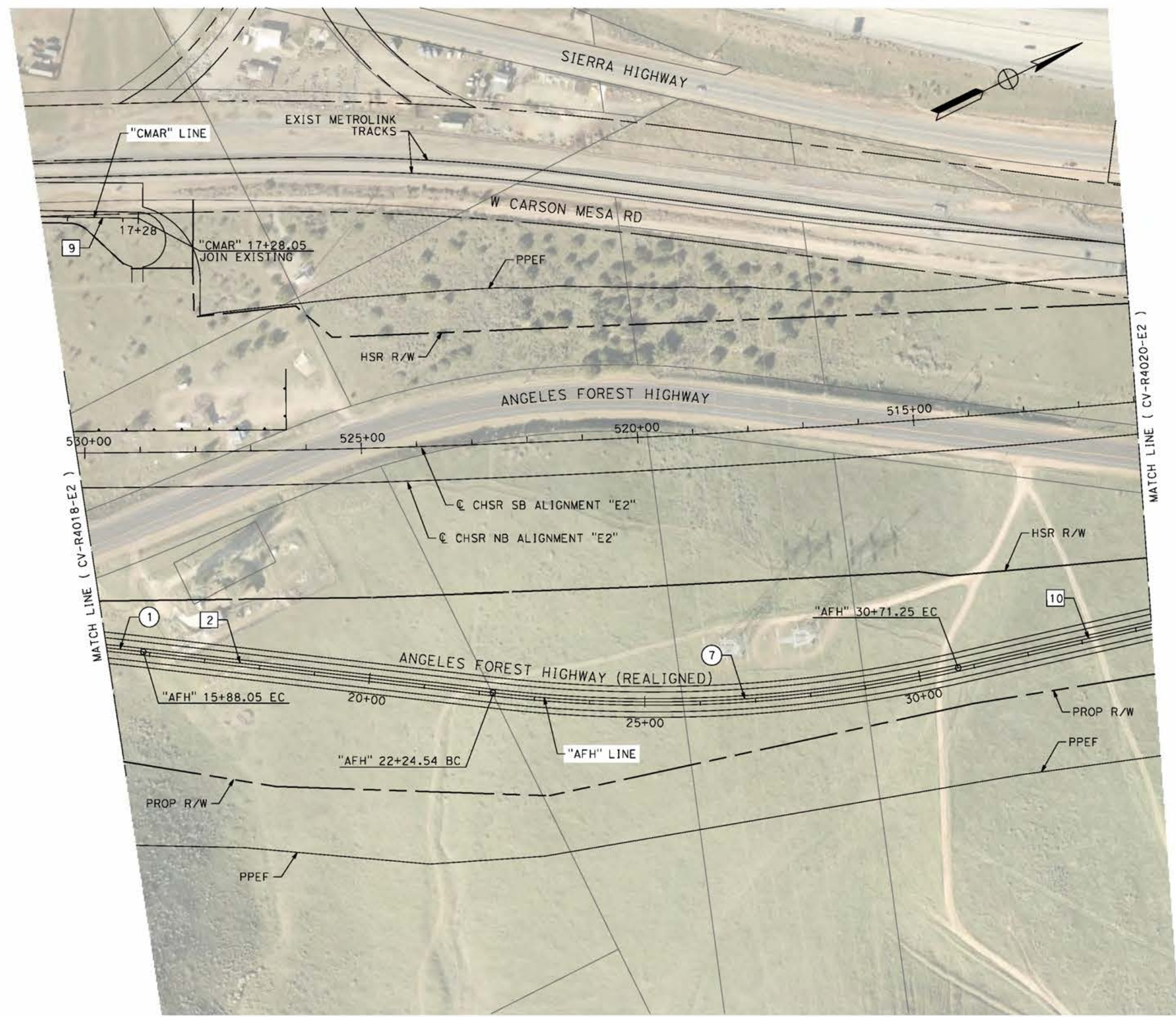
**CALIFORNIA HIGH-SPEED RAIL PROJECT**  
**PALMDALE TO BURBANK**  
ALIGNMENT "E2"  
ROADWAY PLAN  
ANGELES FOREST HIGHWAY, W CARSON MESA ROAD  
AND MOUNTAIN SPRINGS ROAD

CONTRACT NO.  
HSR14-42  
DRAWING NO.  
CV-R4018-E2  
SCALE  
AS SHOWN  
SHEET NO.

c:\pwworkingdir\sener-us-pw-bentley.com\_sener-us-pw-01\dalio.cordoba\dms24260\VB-CV-R4019-E2.dgn

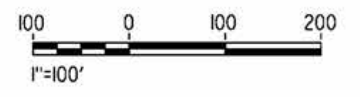
5/12/2021 8:02:32 PM

cordo



LINE DATA		
	BEARING	DISTANCE
2	N32°45'05"E	636.49'
9	N27°01'44"E	360.52'
10	N13°20'47"E	731.75'

CURVE DATA				
	R	Δ	T	L
1	4500.00'	15°15'29"	602.75'	1198.37"
7	2500.00'	19°24'18"	427.45'	846.71'



REV	DATE	BY	CHK	APP	DESCRIPTION

DESIGNED BY  
J.C. ALAMILLA  
DRAWN BY  
A. SANZ  
CHECKED BY  
W. GUO  
IN CHARGE  
A. RELANO  
DATE  
04/30/2021

**PEPD RECORD SET**  
**REV 02**  
**NOT FOR CONSTRUCTION**



**CALIFORNIA HIGH-SPEED RAIL PROJECT**  
**PALMDALE TO BURBANK**  
ALIGNMENT "E2"  
ROADWAY PLAN  
ANGELES FOREST HIGHWAY

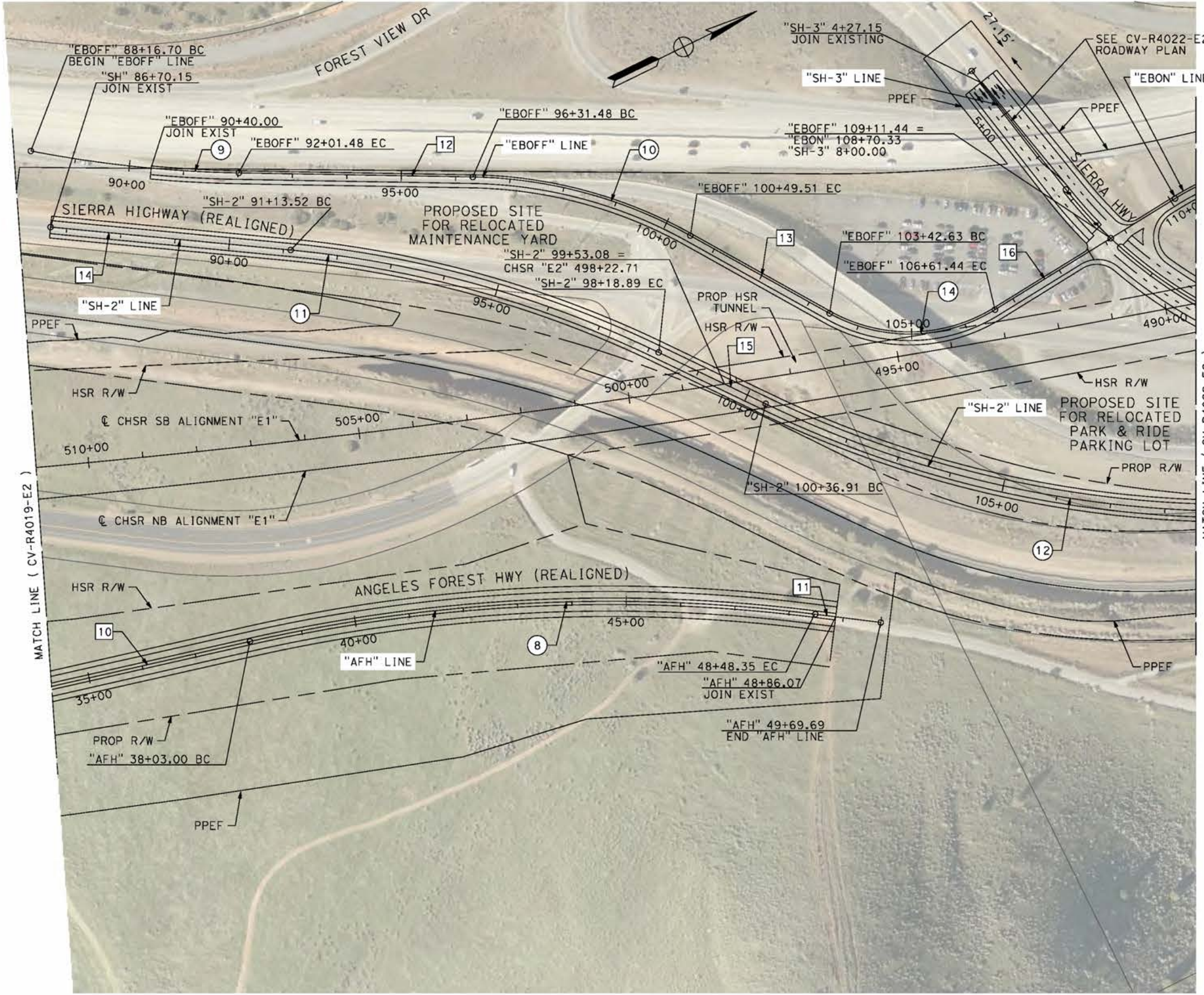
CONTRACT NO.  
HSR14-42  
DRAWING NO.  
CV-R4019-E2  
SCALE  
AS SHOWN  
SHEET NO.



ct:\pwworkingdir\sener-us-pw-bentley.com\_sener-us-pw-01\dalio.coroba\dms24260\VPB-CV-R4020-E2.dgn

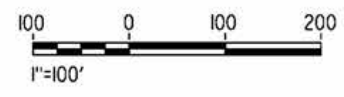
5/24/2021 1:08:35 AM

cordo



LINE DATA		
	BEARING	DISTANCE
10	N13°20'47"E	731.75'
11	S33°18'40"E	121.14'
12	N27°05'44"E	430.00'
13	N55°16'24"E	293.12'
14	N31°32'53"E	443.36'
15	N51°45'19"E	218.02'
16	N05°36'55"W	250.00'

CURVE DATA				
	R	Δ	T	L
8	3000.00'	19°57'53"	528.03'	1045.35'
9	2200.00'	10°01'16"	192.88'	384.78'
10	850.00'	28°10'40"	213.33'	418.03'
11	2000.00'	20°12'27"	356.39'	705.37'
12	2000.00'	29°08'56"	520.01'	1017.49'
14	300.00'	60°53'19"	176.32'	318.81'



REV	DATE	BY	CHK	APP	DESCRIPTION

DESIGNED BY  
J.C. ALAMILLA  
DRAWN BY  
A. SANZ  
CHECKED BY  
W. GUO  
IN CHARGE  
A. RELANO  
DATE  
04/30/2021

**PEPD RECORD SET**  
**REV 02**  
  
**NOT FOR CONSTRUCTION**



**CALIFORNIA HIGH-SPEED RAIL PROJECT**  
**PALMDALE TO BURBANK**  
ALIGNMENT "E2"  
ROADWAY PLAN  
SIERRA HIGHWAY "SH-2", ANGELES FOREST HIGHWAY AND  
ROUTE 14 EB OFF-RAMP

CONTRACT NO.  
HSR14-42  
DRAWING NO.  
CV-R4020-E2  
SCALE  
AS SHOWN  
SHEET NO.

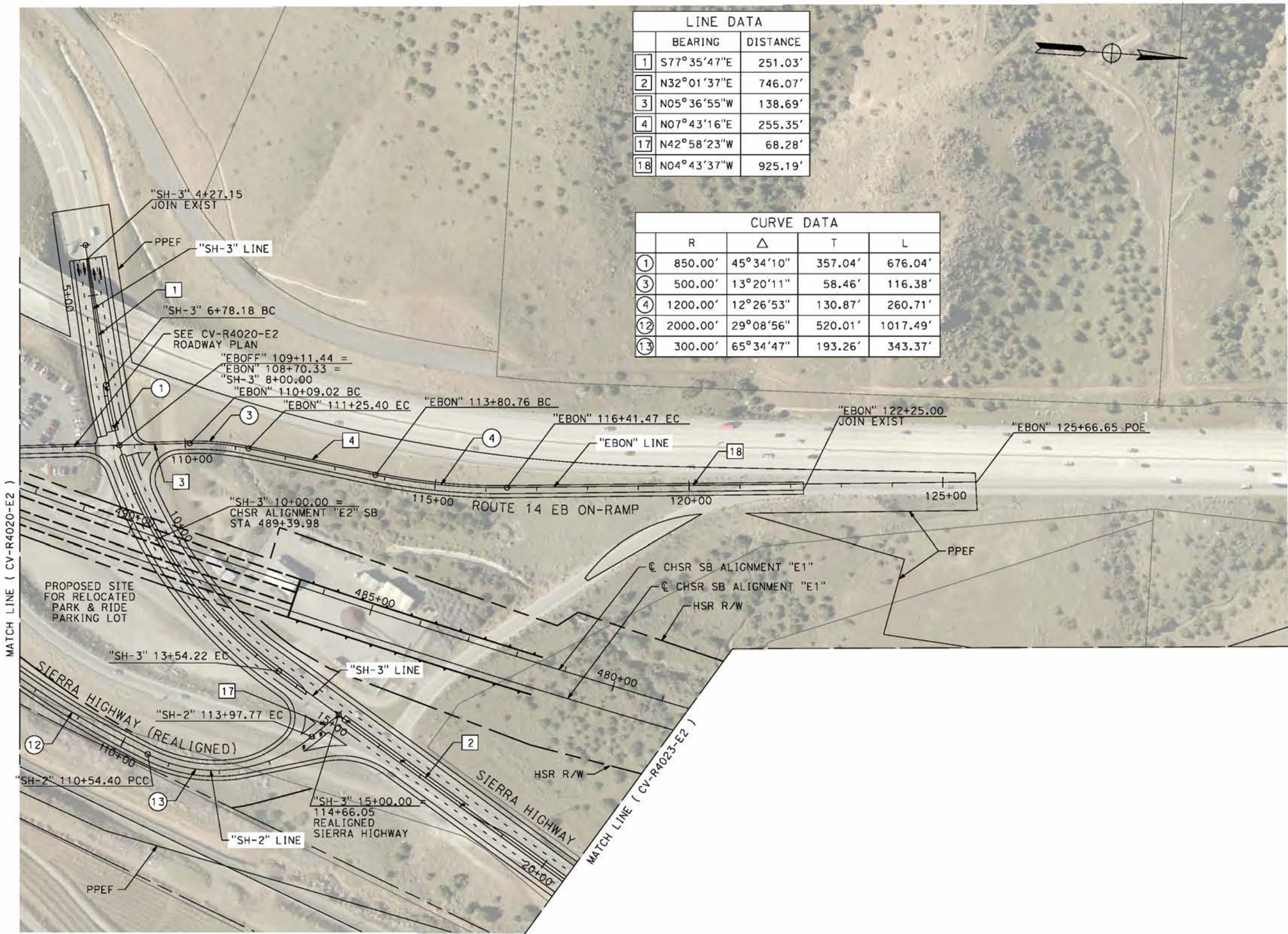
ct:\pwworkingdir\sener-us-pw-bentley.com\_sener-us-pw-01\dalio.coroba\dms24260\VB-CV-R4022-E2.dgn

5/24/2021 1:11:27 AM

cordo

LINE DATA		
	BEARING	DISTANCE
1	S77°35'47"E	251.03'
2	N32°01'37"E	746.07'
3	N05°36'55"W	138.69'
4	N07°43'16"E	255.35'
17	N42°58'23"W	68.28'
18	N04°43'37"W	925.19'

CURVE DATA				
	R	Δ	T	L
1	850.00'	45°34'10"	357.04'	676.04'
3	500.00'	13°20'11"	58.46'	116.38'
4	1200.00'	12°26'53"	130.87'	260.71'
12	2000.00'	29°08'56"	520.01'	1017.49'
13	300.00'	65°34'47"	193.26'	343.37'



REV	DATE	BY	CHK	APP	DESCRIPTION

DESIGNED BY  
J.C. ALAMILLA  
DRAWN BY  
A. SANZ  
CHECKED BY  
W. GUO  
IN CHARGE  
A. RELANO  
DATE  
04/30/2021

**PEPD RECORD SET**  
**REV 02**  
**NOT FOR CONSTRUCTION**



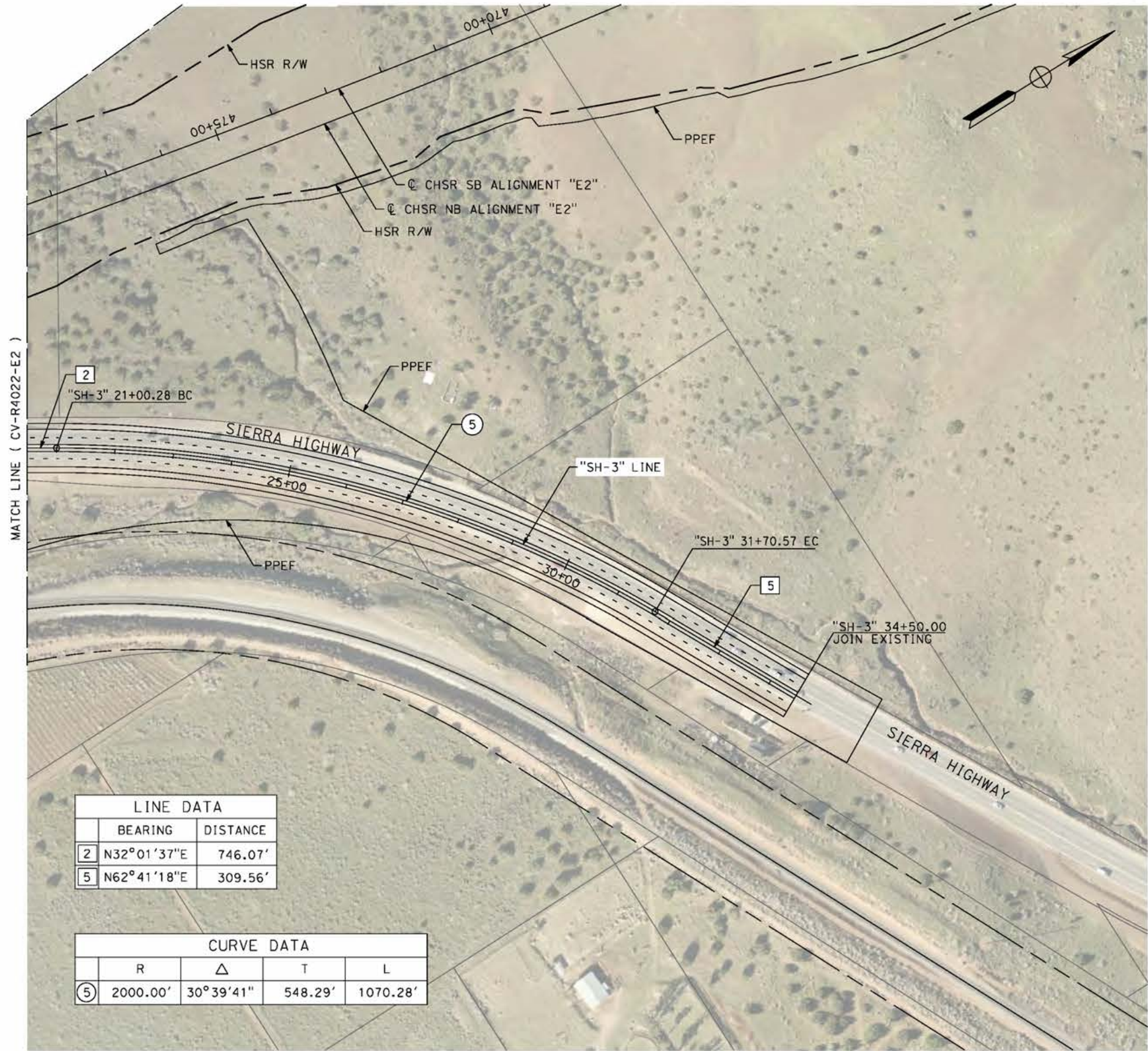
**CALIFORNIA HIGH-SPEED RAIL PROJECT**  
**PALMDALE TO BURBANK**  
ALIGNMENT "E2"  
ROADWAY PLAN  
SIERRA HIGHWAY "SH-3" AND ROUTE 14 EB ON-RAMP

CONTRACT NO.  
HSR14-42  
DRAWING NO.  
CV-R4022-E2  
SCALE  
AS SHOWN  
SHEET NO.

c:\pwworkingdir\sener-us-pw.bentley.com\_sener-us-pw-01\dalio.cordoba\dms24260\VB-CV-R4023-E2.dgn

5/24/2021 1:13:59 AM

cordo



LINE DATA		
	BEARING	DISTANCE
2	N32°01'37"E	746.07'
5	N62°41'18"E	309.56'

CURVE DATA				
	R	Δ	T	L
5	2000.00'	30°39'41"	548.29'	1070.28'



REV	DATE	BY	CHK	APP	DESCRIPTION

DESIGNED BY  
J.C. ALAMILLA  
DRAWN BY  
A. SANZ  
CHECKED BY  
W. GUO  
IN CHARGE  
A. RELANO  
DATE  
04/30/2021

**PEPD RECORD SET  
REV 02  
NOT FOR  
CONSTRUCTION**



**CALIFORNIA HIGH-SPEED RAIL PROJECT  
PALMDALE TO BURBANK**  
ALIGNMENT "E2"  
ROADWAY PLAN  
SIERRA HIGHWAY "SH-3"

CONTRACT NO.  
HSR14-42  
DRAWING NO.  
CV-R4023-E2  
SCALE  
AS SHOWN  
SHEET NO.

c:\pwworkingdir\sener-us-pw-bentley.com\_sener-us-pw-01\dalio.cordoba\dms24260\PB-CV-R4025-E2.dgn

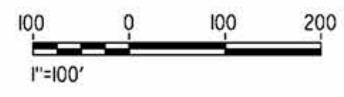
5/11/2021 7:49:17 PM

cordo



LINE DATA	
BEARING	DISTANCE
1 N43°00'56"E	337.60'

CURVE DATA			
R	Δ	T	L
1 1000.00'	47°55'16"	444.40'	836.38'



REV	DATE	BY	CHK	APP	DESCRIPTION

DESIGNED BY  
J.C. ALAMILLA  
DRAWN BY  
A. SANZ  
CHECKED BY  
W. GUO  
IN CHARGE  
A. RELANO  
DATE  
04/30/2021

**PEPD RECORD SET  
REV 02  
NOT FOR  
CONSTRUCTION**



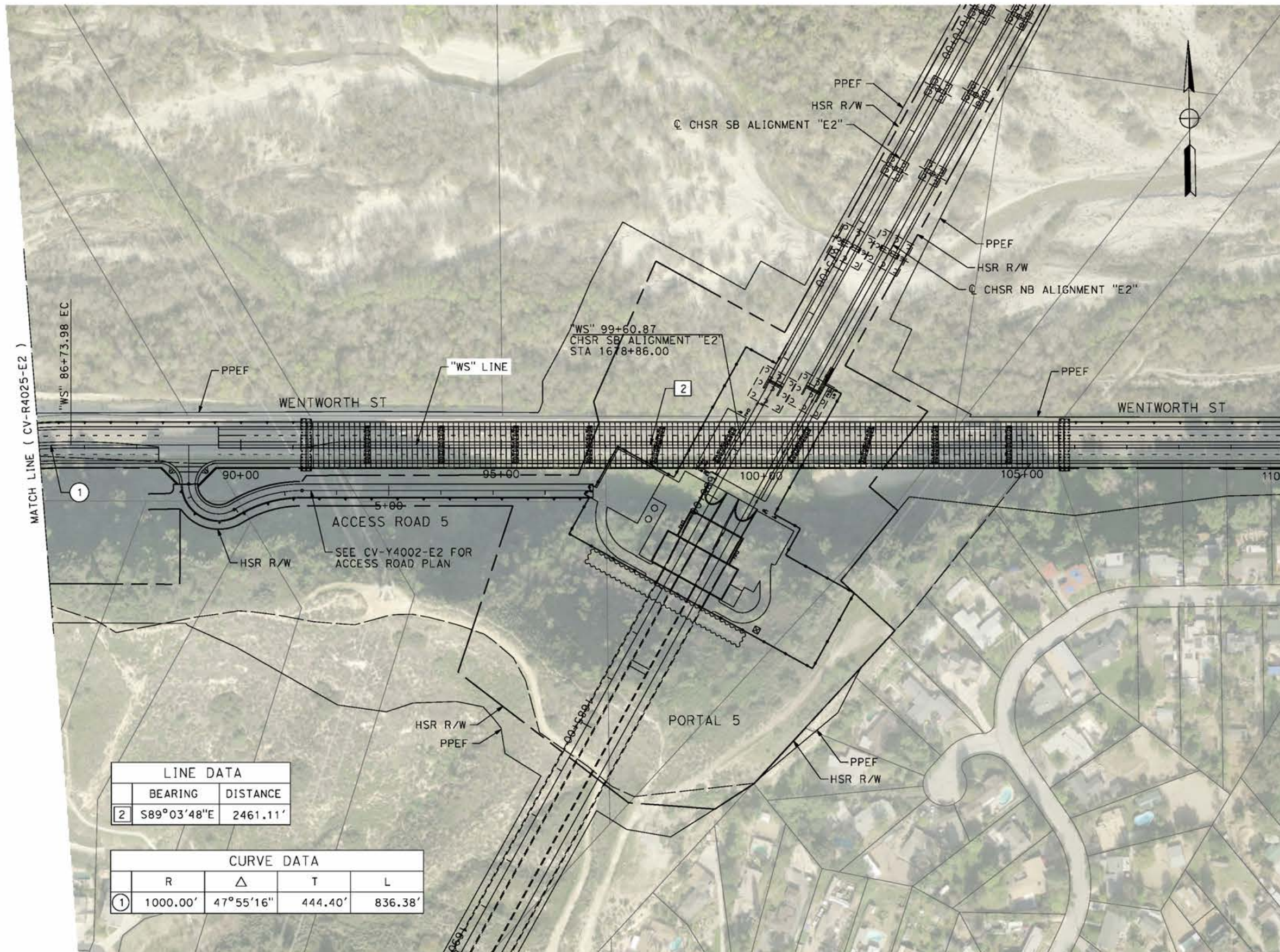
**CALIFORNIA HIGH-SPEED RAIL PROJECT  
PALMDALE TO BURBANK**  
ALIGNMENT "E2"  
ROADWAY PLAN  
WENTWORTH STREET  
SHEET 1 OF 3

CONTRACT NO.  
HSR14-42  
DRAWING NO.  
CV-R4025-E2  
SCALE  
AS SHOWN  
SHEET NO.

c:\pwworkingdir\sener-us-pw-bentley.com\_sener-us-pw-01\dalio.cordoba\dms24260\VPB-CV-R4026-E2.dgn

5/27/2021 4:21:27 PM

cordo



LINE DATA	
BEARING	DISTANCE
2 S89°03'48"E	2461.11'

CURVE DATA			
R	Δ	T	L
1 1000.00'	47°55'16"	444.40'	836.38'



REV	DATE	BY	CHK	APP	DESCRIPTION

DESIGNED BY  
J.C. ALAMILLA  
DRAWN BY  
A. SANZ  
CHECKED BY  
W. GUO  
IN CHARGE  
A. RELANO  
DATE  
04/30/2021

**PEPD RECORD SET**  
**REV 02**  
  
**NOT FOR CONSTRUCTION**



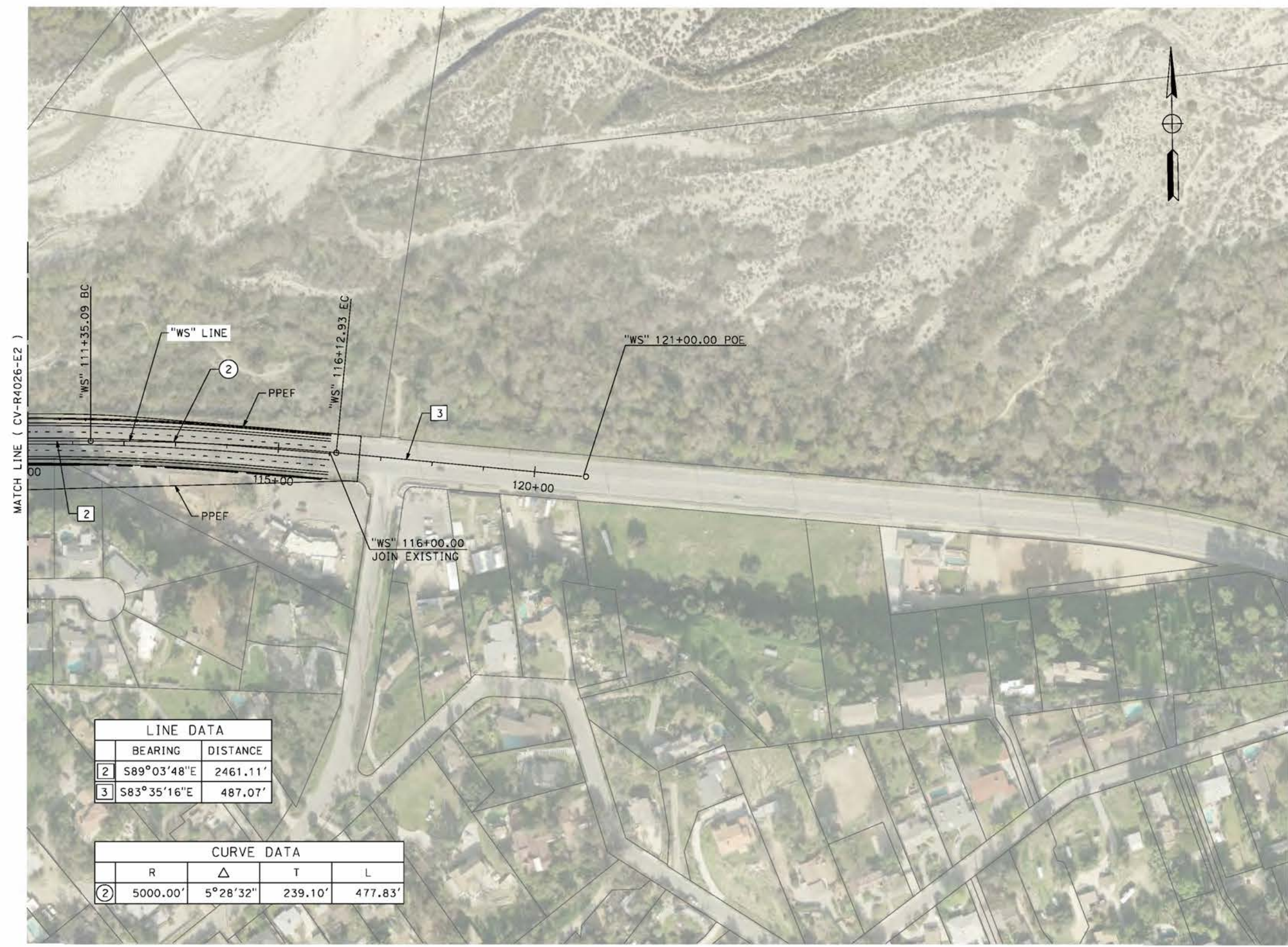
**CALIFORNIA HIGH-SPEED RAIL PROJECT**  
**PALMDALE TO BURBANK**  
ALIGNMENT "E2"  
ROADWAY PLAN  
WENTWORTH STREET  
SHEET 2 OF 3

CONTRACT NO.  
HSR14-42  
DRAWING NO.  
CV-R4026-E2  
SCALE  
AS SHOWN  
SHEET NO.

c:\pwworkingdir\sener-us-pw-bentley.com\_sener-us-pw-01\dalio.cordoba\dms24260\VB-CV-R4027-E2.dgn

5/11/2021 8:06:33 PM

cordo



LINE DATA		
	BEARING	DISTANCE
2	S89°03'48"E	2461.11'
3	S83°35'16"E	487.07'

CURVE DATA				
	R	Δ	T	L
2	5000.00'	5°28'32"	239.10'	477.83'



REV	DATE	BY	CHK	APP	DESCRIPTION

DESIGNED BY  
J.C. ALAMILLA  
DRAWN BY  
A. SANZ  
CHECKED BY  
W. GUO  
IN CHARGE  
A. RELANO  
DATE  
04/30/2021

**PEPD RECORD SET  
REV 02**

**NOT FOR  
CONSTRUCTION**



**CALIFORNIA HIGH-SPEED RAIL PROJECT  
PALMDALE TO BURBANK**

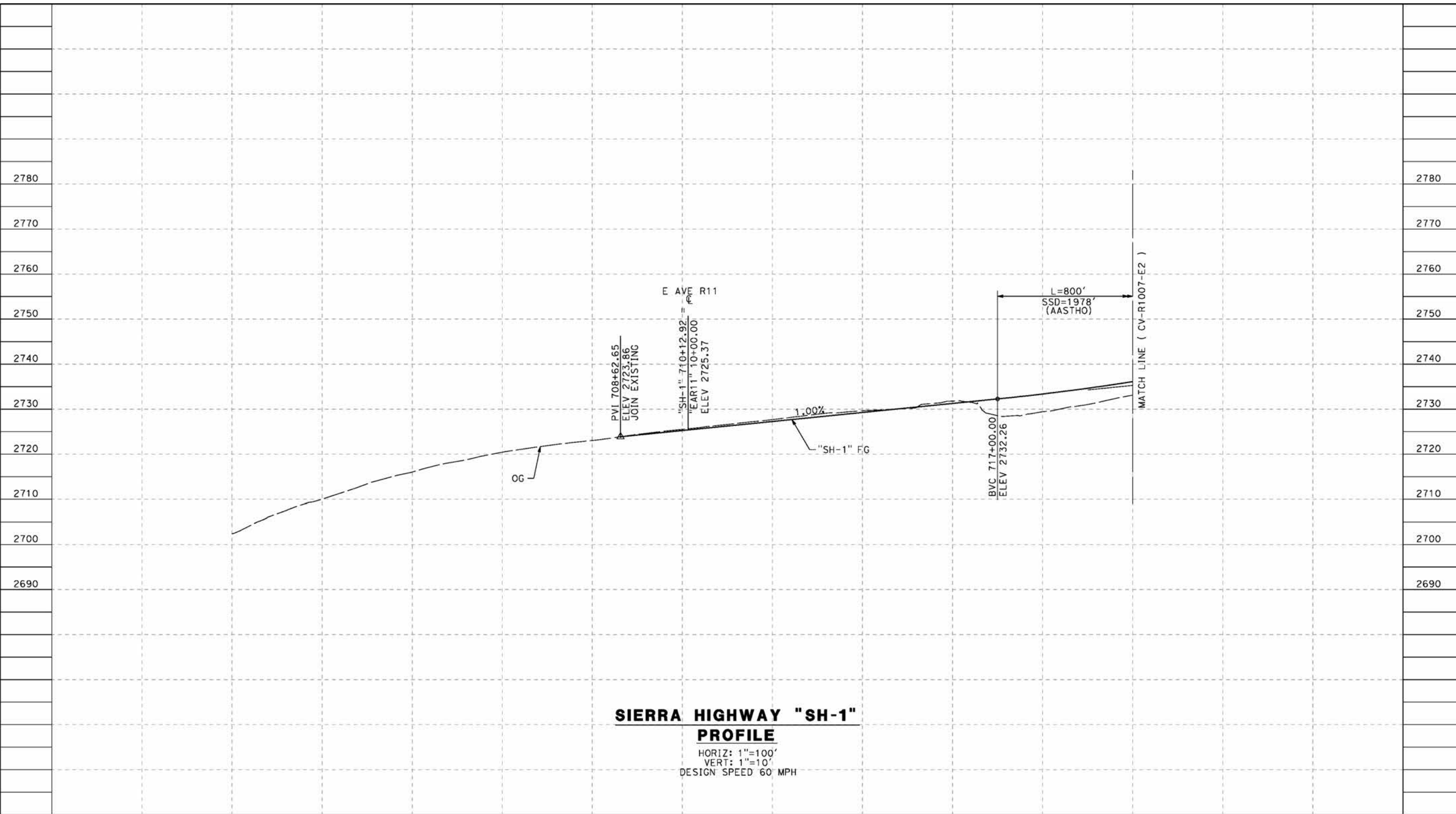
ALIGNMENT "E2"  
ROADWAY PLAN  
WENTWORTH STREET  
SHEET 3 OF 3

CONTRACT NO.  
HSR14-42  
DRAWING NO.  
CV-R4027-E2  
SCALE  
AS SHOWN  
SHEET NO.

c:\pwworkingdir\sener-us-pw-bentley.com\_sener-us-pw-01\do\fa\_cordoba\dms24260\VPB-CV-R1006-E2.dgn

5/24/2021 1:24:30 AM

cordo



**SIERRA HIGHWAY "SH-1"**  
**PROFILE**

HORIZ: 1"=100'  
VERT: 1"=10'  
DESIGN SPEED 60 MPH

STATION	700+00	702+00	704+00	706+00	708+00	710+00	712+00	714+00	716+00	718+00	720+00	TOTAL
Exc												
Emb												

DESIGNED BY  
J.C. ALAMILLA  
DRAWN BY  
A. SANZ  
CHECKED BY  
W. GUO  
IN CHARGE  
A. RELANO  
DATE  
04/30/2021

**PEPD RECORD SET  
REV 02**  
  
**NOT FOR  
CONSTRUCTION**



**CALIFORNIA HIGH-SPEED RAIL PROJECT**  
**PALMDALE TO BURBANK**  
ALIGNMENT "E2"  
ROADWAY PROFILE  
SIERRA HIGHWAY "SH-1"  
SHEET 1 OF 4

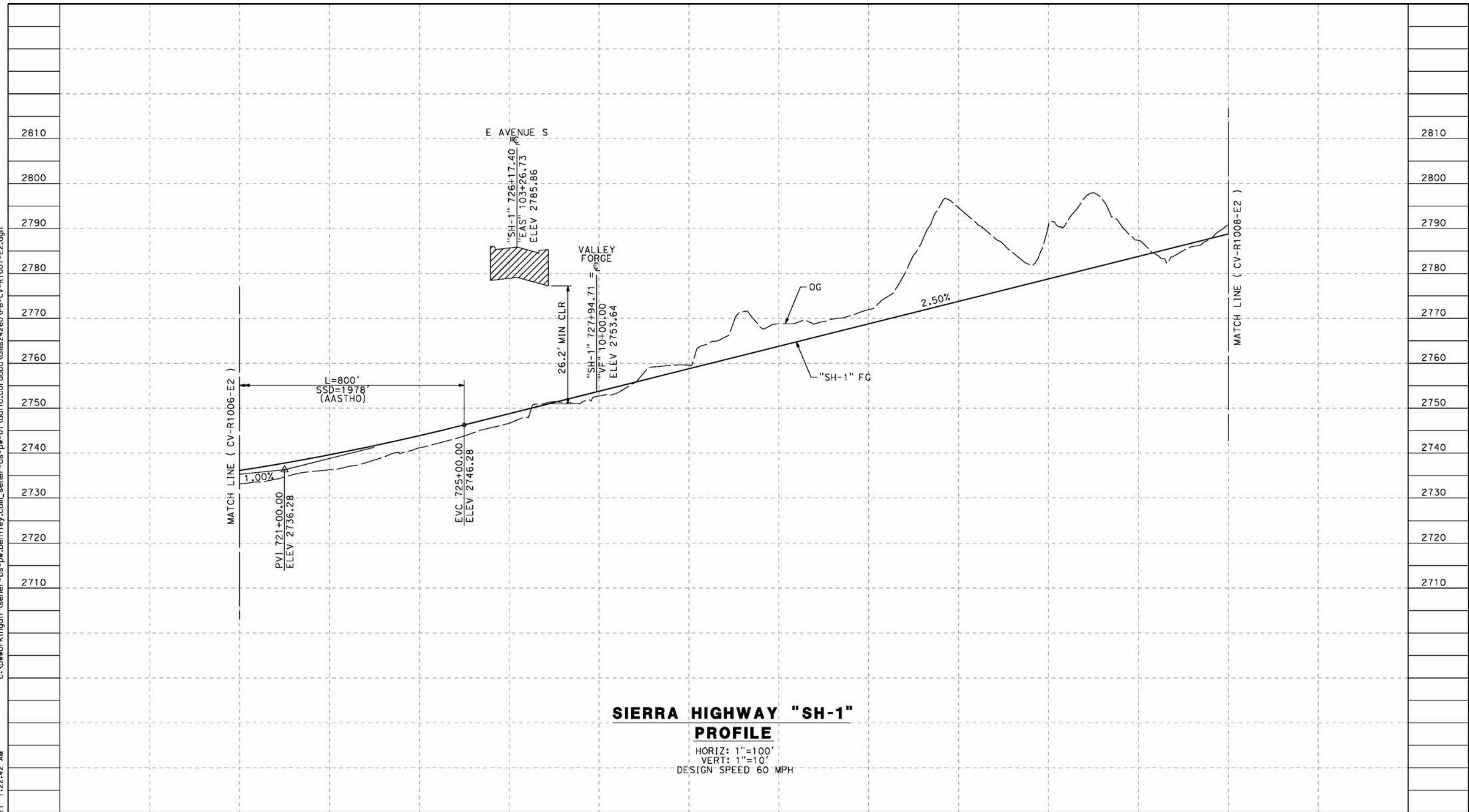
CONTRACT NO.  
HSR14-42  
DRAWING NO.  
CV-R1006-E2  
SCALE  
AS SHOWN  
SHEET NO.

REV	DATE	BY	CHK	APP	DESCRIPTION

ct:\pwworkingdir\sener-us-pw-bentley.com\_sener-us-pw-01\do\fa\cordoba\dms24260\VPB-CV-R1007-E2.dgn

5/24/2021 1:22:42 AM

cordo



**SIERRA HIGHWAY "SH-1"  
PROFILE**

HORIZ: 1"=100'  
VERT: 1"=10'  
DESIGN SPEED 60 MPH

STATION	720+00	722+00	724+00	726+00	728+00	730+00	732+00	734+00	736+00	738+00	740+00	742+00	TOTAL
CY	Exc												
	Emb												

REV	DATE	BY	CHK	APP	DESCRIPTION

DESIGNED BY  
J.C. ALAMILLA  
DRAWN BY  
A. SANZ  
CHECKED BY  
W. GUO  
IN CHARGE  
A. RELANO  
DATE  
04/30/2021

**PEPD RECORD SET  
REV 02  
NOT FOR  
CONSTRUCTION**



**CALIFORNIA HIGH-SPEED RAIL PROJECT  
PALMDALE TO BURBANK**  
ALIGNMENT "E2"  
ROADWAY PROFILE  
SIERRA HIGHWAY "SH-1"  
SHEET 2 OF 4

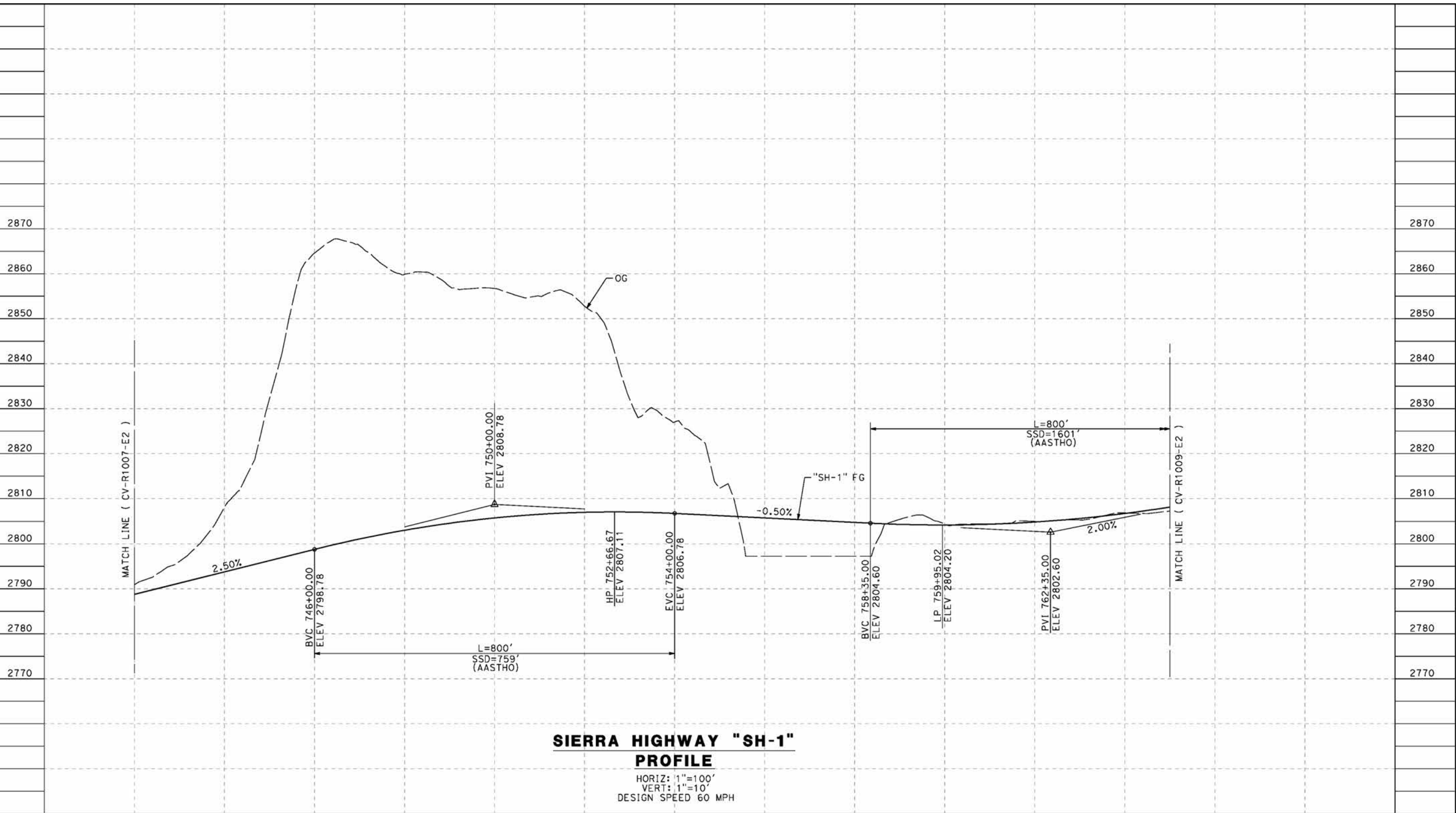
CONTRACT NO.  
HSR14-42  
DRAWING NO.  
CV-R1007-E2  
SCALE  
AS SHOWN  
SHEET NO.



c:\pwworkingdir\sener-us-pw-bentley.com\_sener-us-pw-01\dalifa\_cordoba\dms24260VPB-CV-R1008-E2.dgn

5/24/2021 1:26:19 AM

cordo



**SIERRA HIGHWAY "SH-1"**  
**PROFILE**  
 HORIZ: 1"=100'  
 VERT: 1"=10'  
 DESIGN SPEED 60 MPH

STATION	742+00	744+00	548+00	748+00	750+00	752+00	754+00	756+00	758+00	760+00	762+00	764+00	765+00	TOTAL
CY	Exc													
	Emb													

DESIGNED BY  
J.C. ALAMILLA  
 DRAWN BY  
A. SANZ  
 CHECKED BY  
W. GUO  
 IN CHARGE  
A. RELANO  
 DATE  
04/30/2021

**PEPD RECORD SET**  
**REV 02**  
**NOT FOR**  
**CONSTRUCTION**



**CALIFORNIA HIGH-SPEED RAIL PROJECT**  
**PALMDALE TO BURBANK**  
 ALIGNMENT "E2"  
 ROADWAY PROFILE  
 SIERRA HIGHWAY "SH-1"  
 SHEET 3 OF 4

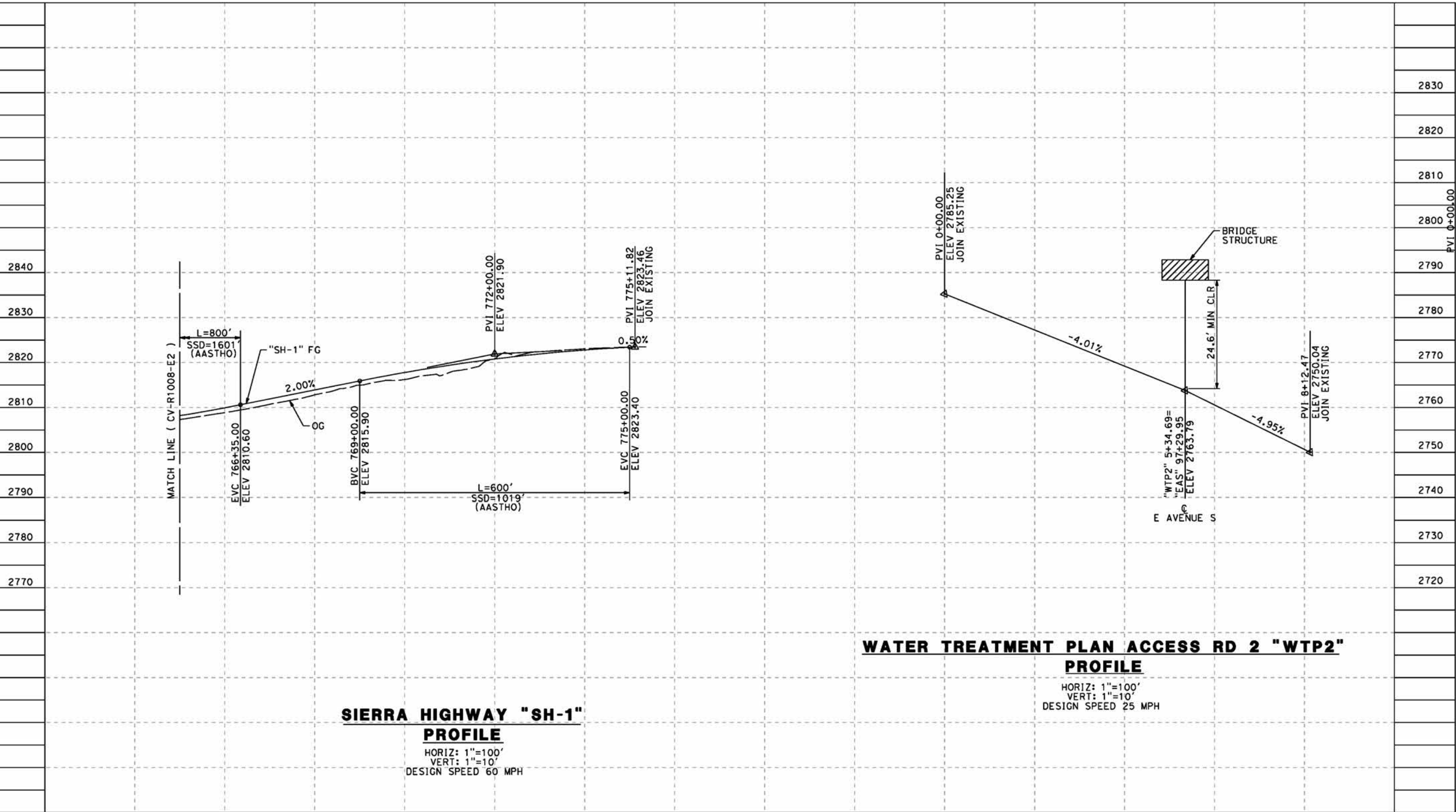
CONTRACT NO.  
HSR14-42  
 DRAWING NO.  
CV-R1008-E2  
 SCALE  
AS SHOWN  
 SHEET NO.

REV	DATE	BY	CHK	APP	DESCRIPTION

ct:\pwworkingdir\seener-us-pw-bentley.com\_seener-us-pw-01\dalio.corcoba\dms24260VPB-CV-R1009-E2.dgn

7/22/2021 12:45:01 AM

cordo



STATION	766+00	768+00	770+00	772+00	774+00	776+00	0+00	2+00	4+00	6+00	8+00	TOTAL
Exc												
Emb												

DESIGNED BY  
J.C. ALAMILLA  
 DRAWN BY  
A. SANZ  
 CHECKED BY  
W. GUO  
 IN CHARGE  
A. RELANO  
 DATE  
04/30/2021

**PEPD RECORD SET  
REV 02  
NOT FOR  
CONSTRUCTION**



**CALIFORNIA HIGH-SPEED RAIL PROJECT  
PALMDALE TO BURBANK**  
 ALIGNMENT "E2"  
 ROADWAY PROFILE  
 SIERRA HIGHWAY "SH-1" AND WATER TREATMENT PLANT  
 ACCESS RD 2 - SHEET 4 OF 4

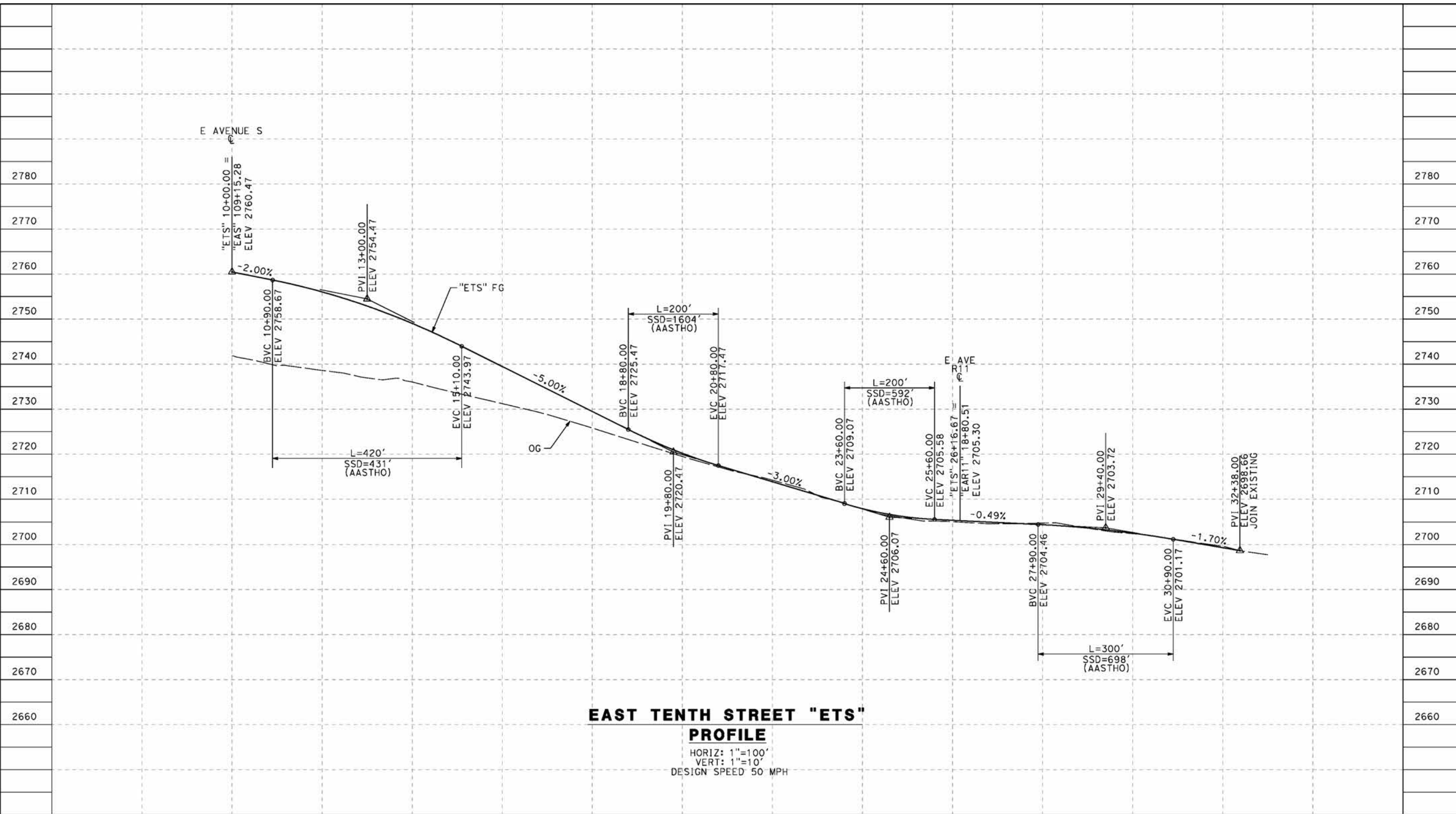
CONTRACT NO.  
HSR14-42  
 DRAWING NO.  
CV-R1009-E2  
 SCALE  
AS SHOWN  
 SHEET NO.

REV	DATE	BY	CHK	APP	DESCRIPTION

ct:\pwworkingdir\sener-us-pw-bentley.com\_sener-us-pw-01\dalifa.cordoba\dms24260VPB-CV-R1009A-E2.dgn

5/24/2021 1:41:18 AM

cordo



**EAST TENTH STREET "ETS" PROFILE**

HORIZ: 1"=100'  
 VERT: 1"=10'  
 DESIGN SPEED 50 MPH

STATION	10+00	12+00	14+00	16+00	18+00	20+00	22+00	24+00	26+00	28+00	30+00	32+00	34+00	TOTAL
Exc														
Emb														

DESIGNED BY	J.C. ALAMILLA
DRAWN BY	A. SANZ
CHECKED BY	W. GUO
IN CHARGE	A. RELANO
DATE	04/30/2021

**PEPD RECORD SET  
 REV 02**

**NOT FOR  
 CONSTRUCTION**



**CALIFORNIA HIGH-SPEED RAIL PROJECT  
 PALMDALE TO BURBANK**

ALIGNMENT "E2"  
 ROADWAY PROFILE  
 EAST TENTH STREET

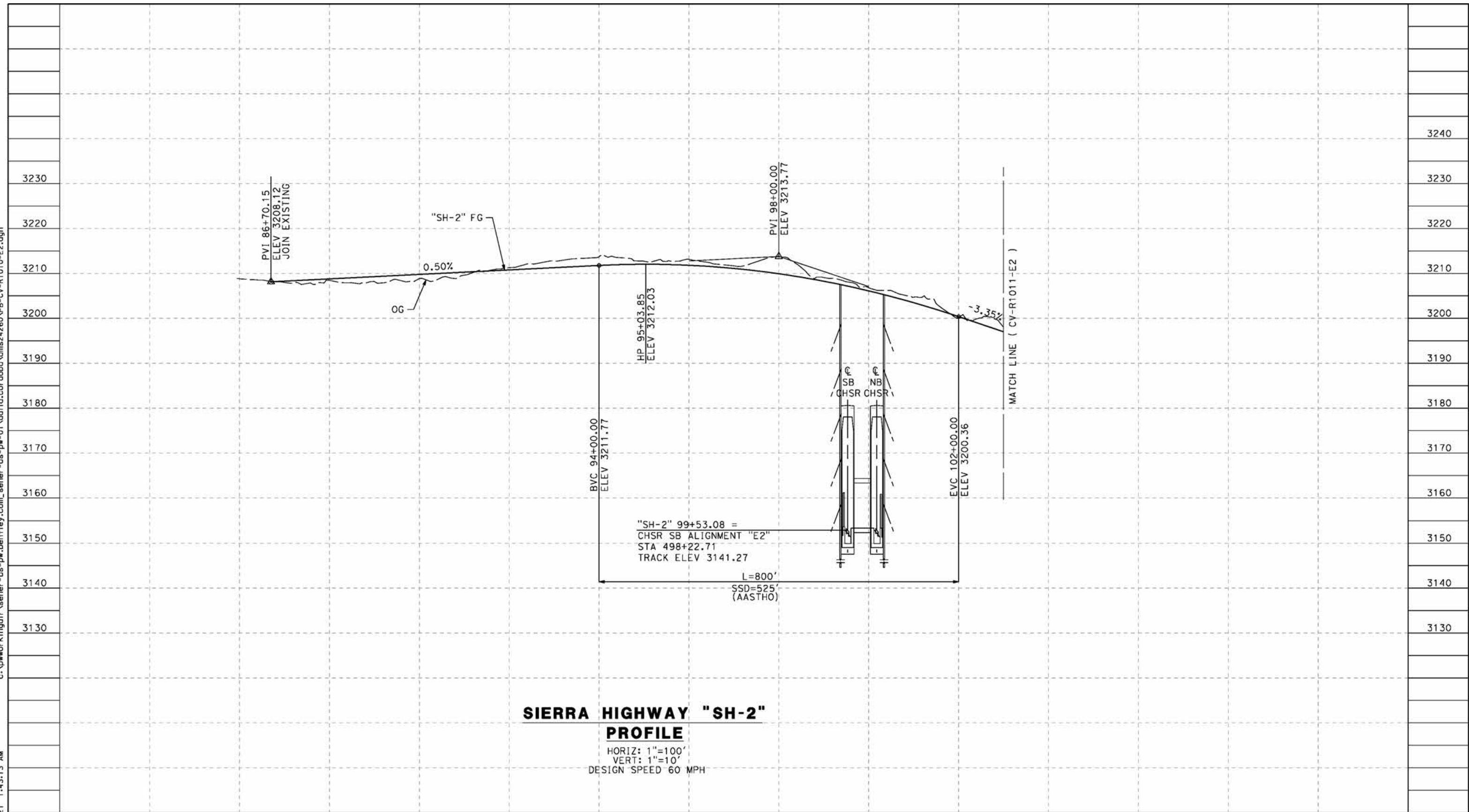
CONTRACT NO. HSR14-42  
 DRAWING NO. CV-R1009A-E2  
 SCALE AS SHOWN  
 SHEET NO.

REV	DATE	BY	CHK	APP	DESCRIPTION

ct:\pwworkingdir\sener-us-pw-bentley.com\_sener-us-pw-01\daifa.cordoba\dms24260\VPB-CV-R1010-E2.dgn

5/24/2021 1:43:13 AM

cordo



**SIERRA HIGHWAY "SH-2"  
PROFILE**  
 HORIZ: 1"=100'  
 VERT: 1"=10'  
 DESIGN SPEED 60 MPH

STATION	86+00	88+00	90+00	92+00	94+00	96+00	98+00	100+00	102+00	104+00	TOTAL
Exc											
Emb											

REV	DATE	BY	CHK	APP	DESCRIPTION

DESIGNED BY  
J.C. ALAMILLA  
 DRAWN BY  
A. SANZ  
 CHECKED BY  
W. GUO  
 IN CHARGE  
A. RELANO  
 DATE  
04/30/2021

**PEPD RECORD SET  
REV 02**  
  
**NOT FOR  
CONSTRUCTION**



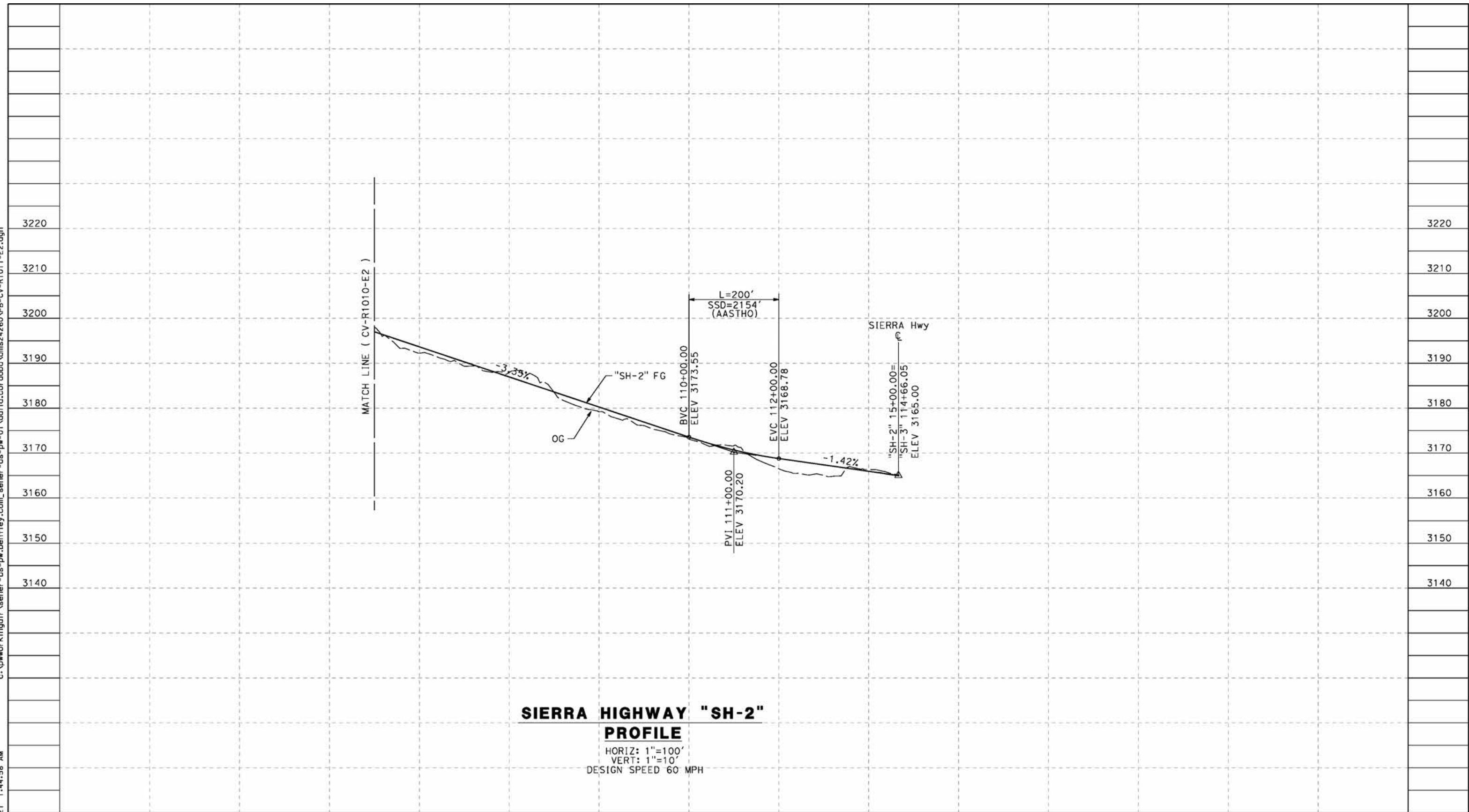
**CALIFORNIA HIGH-SPEED RAIL PROJECT  
PALMDALE TO BURBANK**  
 ALIGNMENT "E2"  
 ROADWAY PROFILE  
 SIERRA HIGHWAY "SH-2"  
 SHEET 1 OF 2

CONTRACT NO.  
HSR14-42  
 DRAWING NO.  
CV-R1010-E2  
 SCALE  
AS SHOWN  
 SHEET NO.

ct:\pwworkingdir\sener-us-pw-bentley.com\_sener-us-pw-01\daifa.cordoba\dms24260VPB-CV-R1011-E2.dgn

5/24/2021 1:44:58 AM

cordo



**SIERRA HIGHWAY "SH-2"  
PROFILE**

HORIZ: 1"=100'  
VERT: 1"=10'  
DESIGN SPEED 60 MPH

STATION	102+00	104+00	106+00	108+00	110+00	112+00	114+00	116+00	TOTAL
Exc									
Emb									

REV	DATE	BY	CHK	APP	DESCRIPTION

DESIGNED BY  
J.C. ALAMILLA  
DRAWN BY  
A. SANZ  
CHECKED BY  
W. GUO  
IN CHARGE  
A. RELANO  
DATE  
04/30/2021

**PEPD RECORD SET  
REV 02  
NOT FOR  
CONSTRUCTION**



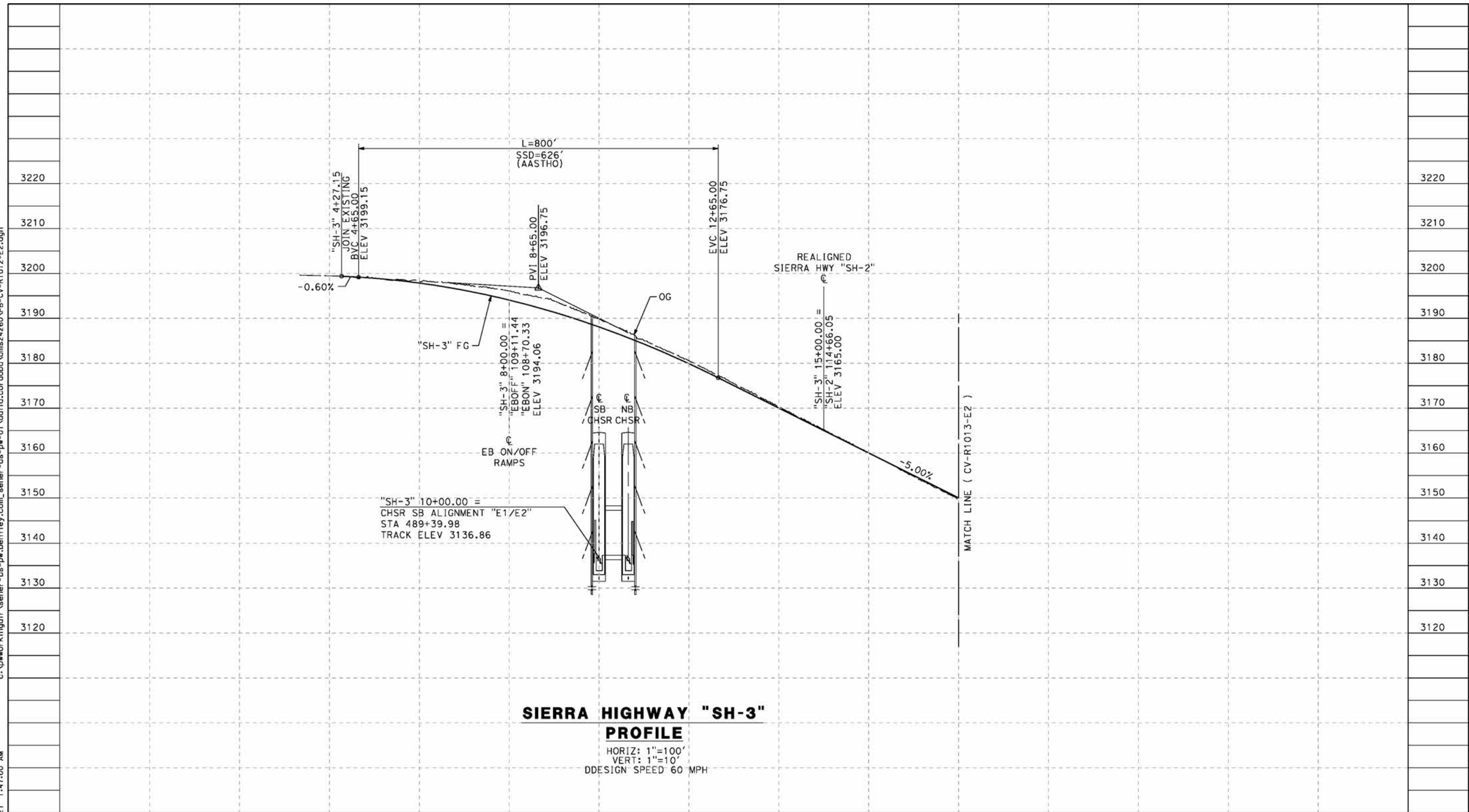
**CALIFORNIA HIGH-SPEED RAIL PROJECT  
PALMDALE TO BURBANK**  
ALIGNMENT "E2"  
ROADWAY PROFILE  
SIERRA HIGHWAY "SH-2"  
SHEET 2 OF 2

CONTRACT NO.  
HSR14-42  
DRAWING NO.  
CV-R1011-E2  
SCALE  
AS SHOWN  
SHEET NO.

ct:\pwworkingdir\sener-us-pw-bentley.com\_sener-us-pw-01\dalifa\_cordoba\dms24260VPB-CV-R1012-E2.dgn

5/24/2021 1:47:00 AM

cordo



**SIERRA HIGHWAY "SH-3" PROFILE**

HORIZ: 1"=100'  
 VERT: 1"=10'  
 DDESIGN SPEED 60 MPH

STATION	0+00	2+00	4+00	6+00	8+00	10+00	12+00	14+00	16+00	18+00	TOTAL
Exc											
Emb											

DESIGNED BY  
J.C. ALAMILLA  
 DRAWN BY  
A. SANZ  
 CHECKED BY  
W. GUO  
 IN CHARGE  
A. RELANO  
 DATE  
04/30/2021

**PEPD RECORD SET  
 REV 02  
 NOT FOR  
 CONSTRUCTION**



**CALIFORNIA HIGH-SPEED RAIL PROJECT  
 PALMDALE TO BURBANK**  
 ALIGNMENT "E2"  
 ROADWAY PROFILE  
 SIERRA HIGHWAY "SH-3"  
 SHEET 1 OF 2

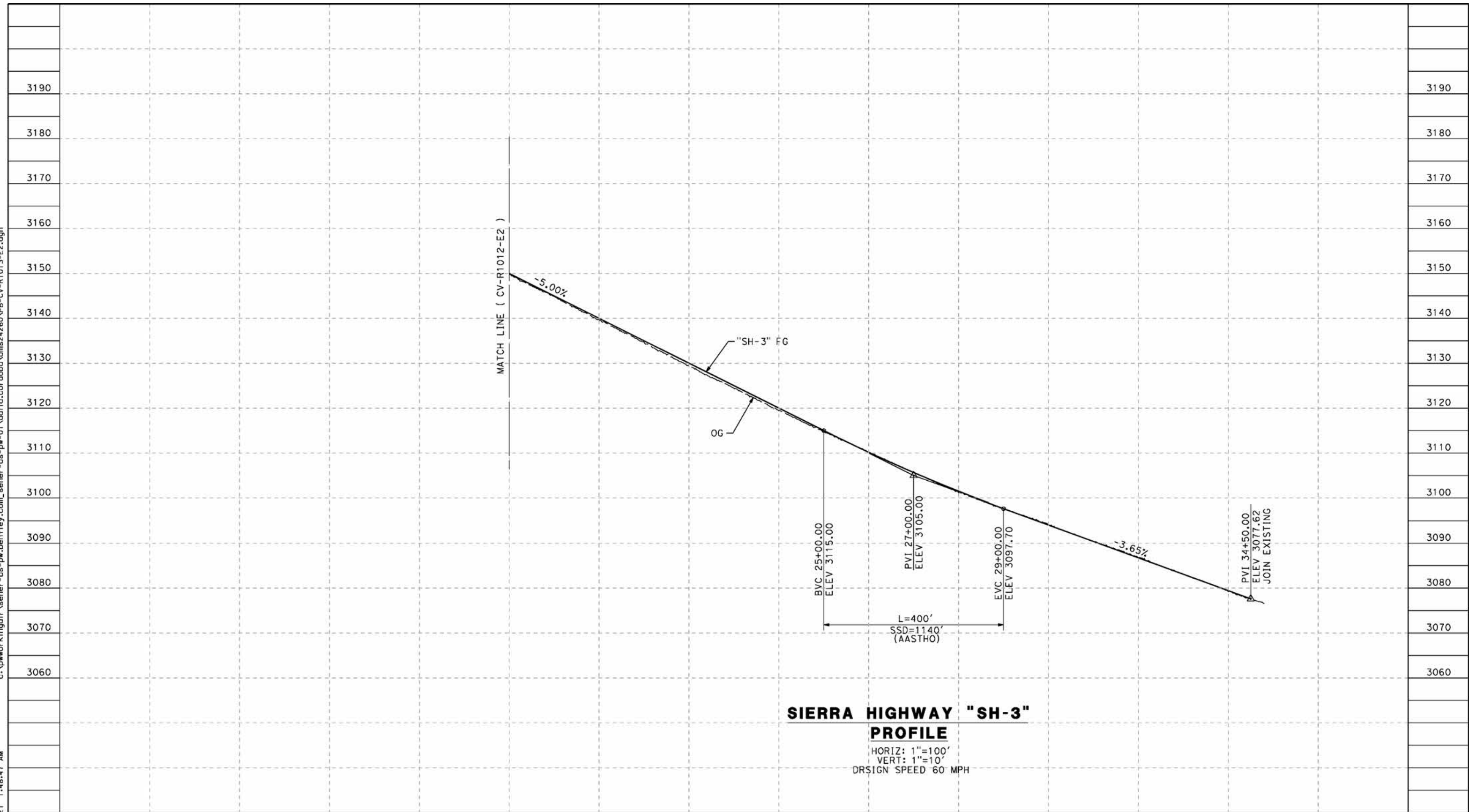
CONTRACT NO.  
HSR14-42  
 DRAWING NO.  
CV-R1012-E2  
 SCALE  
AS SHOWN  
 SHEET NO.

REV	DATE	BY	CHK	APP	DESCRIPTION

ct:\pwworkingdir\sener-us-pw-bentley.com\_sener-us-pw-01\daifa.cordoba\dms24260VPB-CV-R1013-E2.dgn

5/24/2021 1:48:47 AM

cordo



**SIERRA HIGHWAY "SH-3"  
PROFILE**

HORIZ: 1"=100'  
VERT: 1"=10'  
DESIGN SPEED 60 MPH

STATION	18+00	20+00	22+00	24+00	26+00	28+00	30+00	32+00	34+00	TOTAL
Exc										
Emb										

REV	DATE	BY	CHK	APP	DESCRIPTION

DESIGNED BY  
J.C. ALAMILLA  
DRAWN BY  
A. SANZ  
CHECKED BY  
W. GUO  
IN CHARGE  
A. RELANO  
DATE  
04/30/2021

**PEPD RECORD SET  
REV 02**  
  
**NOT FOR  
CONSTRUCTION**



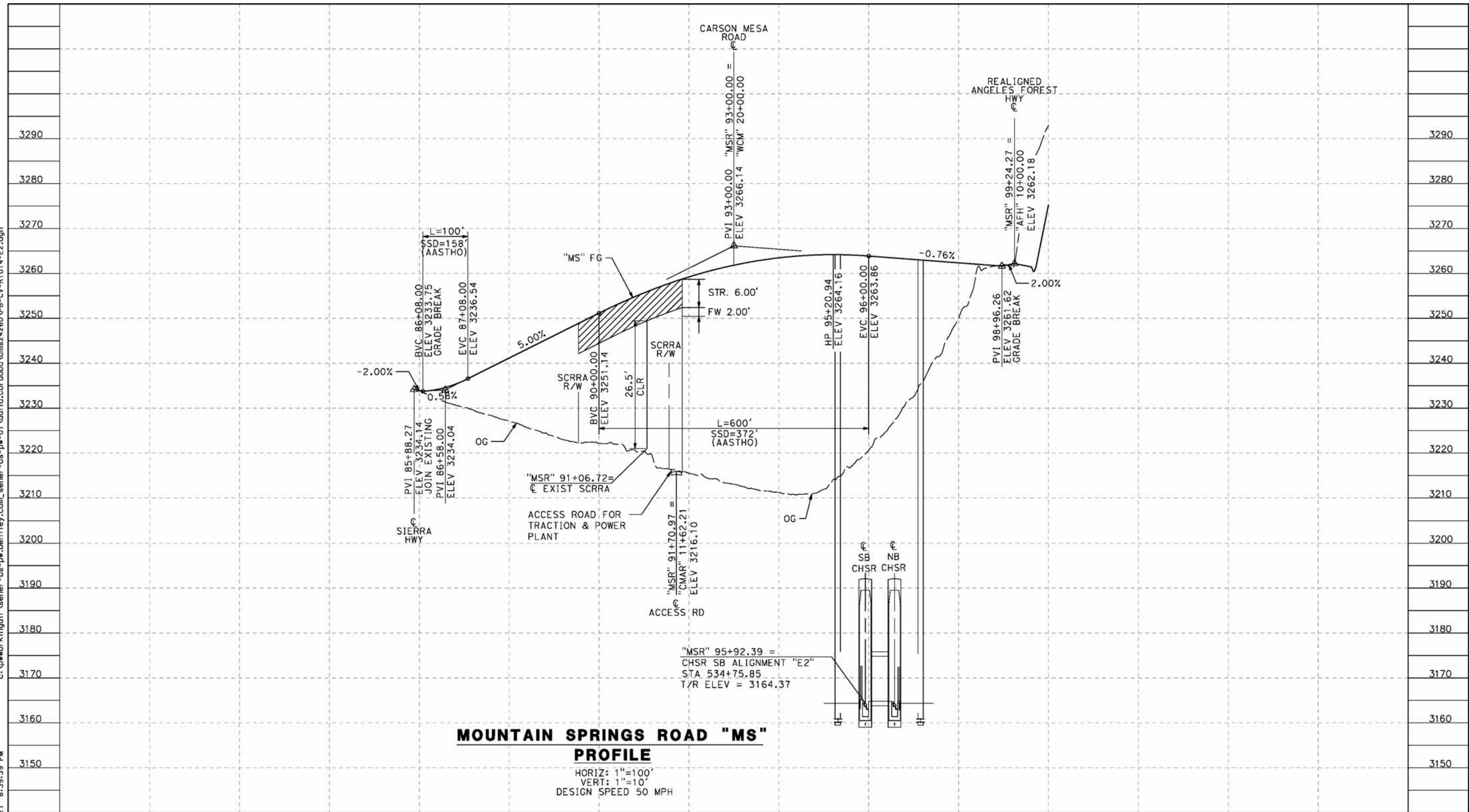
**CALIFORNIA HIGH-SPEED RAIL PROJECT  
PALMDALE TO BURBANK**  
ALIGNMENT "E2"  
ROADWAY PROFILE  
SIERRA HIGHWAY "SH-3"  
SHEET 2 OF 2

CONTRACT NO.  
HSR14-42  
DRAWING NO.  
CV-R1013-E2  
SCALE  
AS SHOWN  
SHEET NO.

c:\pwworkingdir\sener-us-pw-bentley.com\_sener-us-pw-01\dalifa.cordoba\dms24260VPB-CV-R1014-E2.dgn

5/25/2021 8:39:39 PM

cordo



**MOUNTAIN SPRINGS ROAD "MS"  
PROFILE**

HORIZ: 1"=100'  
VERT: 1"=10'  
DESIGN SPEED 50 MPH

STATION	86+00	88+00	90+00	92+00	94+00	96+00	98+00	100+00	TOTAL
CY	Exc								
	Emb								

REV	DATE	BY	CHK	APP	DESCRIPTION

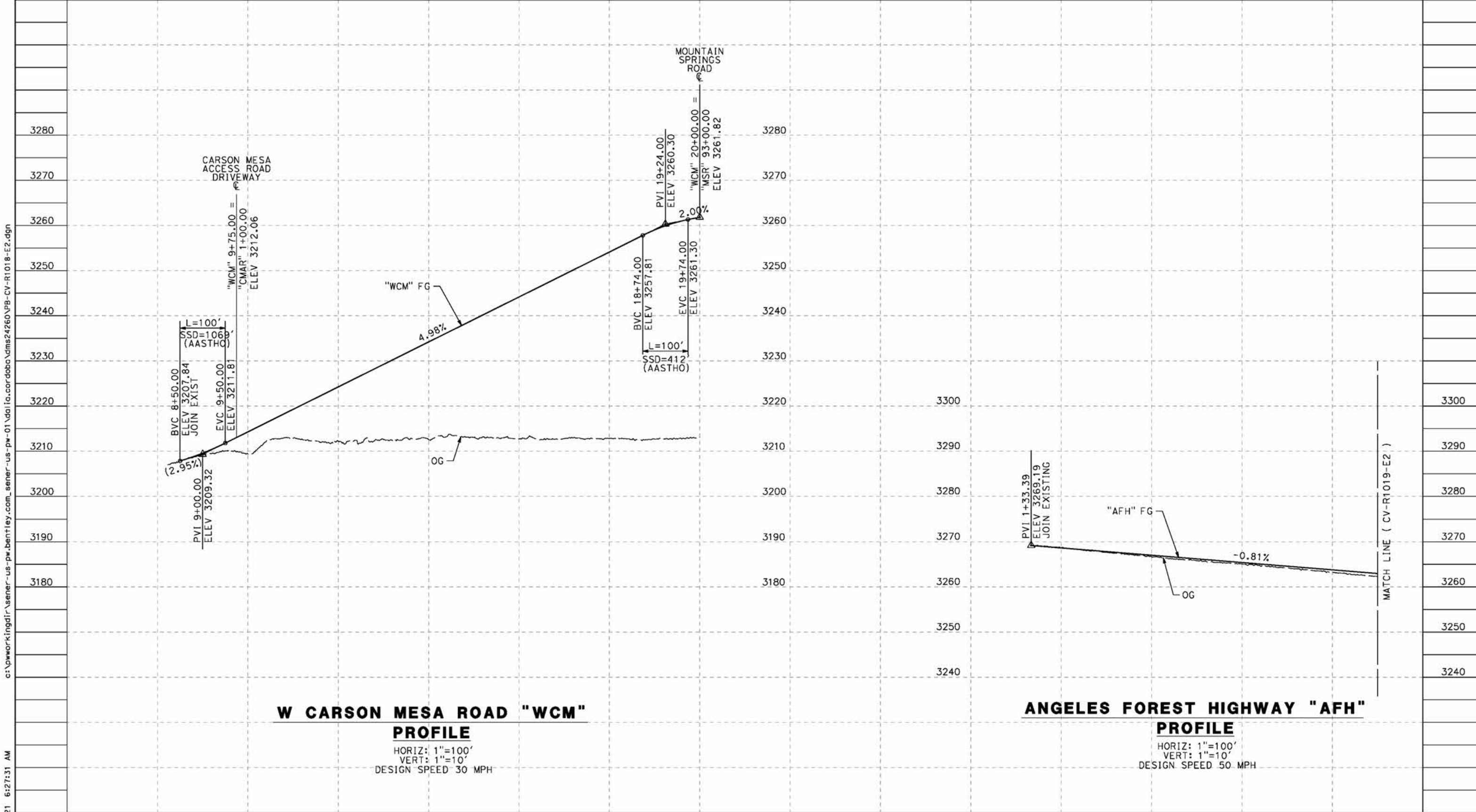
DESIGNED BY  
J.C. ALAMILLA  
DRAWN BY  
A. SANZ  
CHECKED BY  
W. GUO  
IN CHARGE  
A. RELANO  
DATE  
04/30/2021

**PEPD RECORD SET  
REV 02  
NOT FOR  
CONSTRUCTION**



<b>CALIFORNIA HIGH-SPEED RAIL PROJECT PALMDALE TO BURBANK</b> ALIGNMENT "E2" ROADWAY PROFILE MOUNTAIN SPRINGS ROAD		CONTRACT NO. HSR14-42 DRAWING NO. CV-R1014-E2 SCALE AS SHOWN SHEET NO.
---	--	--





**W CARSON MESA ROAD "WCM" PROFILE**  
 HORIZ: 1"=100'  
 VERT: 1"=10'  
 DESIGN SPEED 30 MPH

**ANGELES FOREST HIGHWAY "AFH" PROFILE**  
 HORIZ: 1"=100'  
 VERT: 1"=10'  
 DESIGN SPEED 50 MPH

STATION	8+00	10+00	12+00	14+00	16+00	18+00	20+00	0+00	2+00	4+00	6+00	8+00	TOTAL
CY	Exc												
	Emb												

REV	DATE	BY	CHK	APP	DESCRIPTION

DESIGNED BY  
J.C. ALAMILLA  
 DRAWN BY  
A. SANZ  
 CHECKED BY  
W. GUO  
 IN CHARGE  
A. RELANO  
 DATE  
04/30/2021

**PEPD RECORD SET  
REV 02**  
  
**NOT FOR  
CONSTRUCTION**



**CALIFORNIA HIGH-SPEED RAIL PROJECT  
PALMDALE TO BURBANK**  
 ALIGNMENT "E2"  
 ROADWAY PROFILE  
 ANGELES FOREST HIGHWAY AND W CARSON MESA ROAD

CONTRACT NO.  
HSR14-42  
 DRAWING NO.  
CV-R1018-E2  
 SCALE  
AS SHOWN  
 SHEET NO.

c:\pwworkingdir\sener-us-pw-bentley.com\_sener-us-pw-01\dalifa.cordoba\dms24260VPB-CV-R1018-E2.dgn

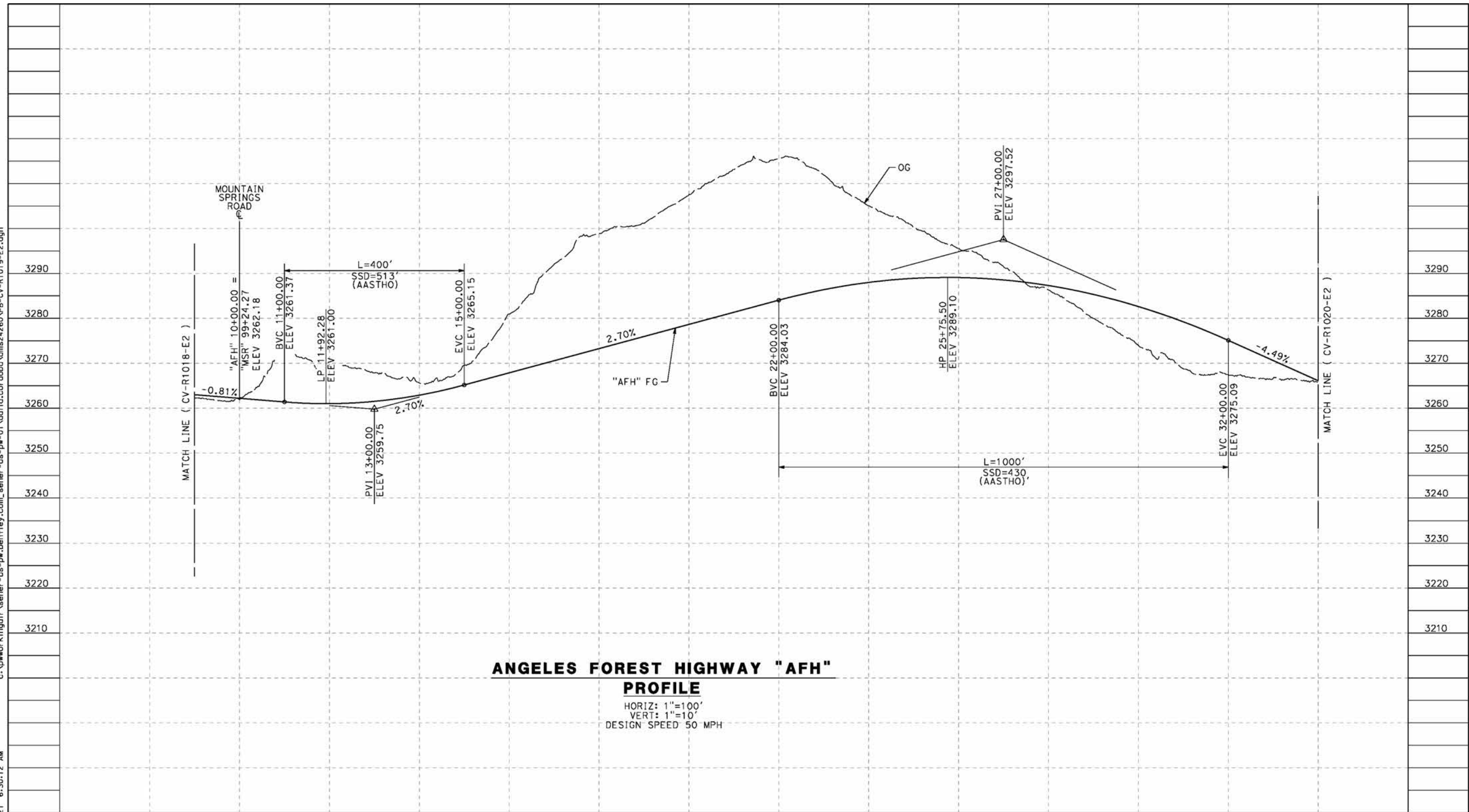
5/24/2021 6:27:31 AM

cordo

ct:\pwworkingdir\sener-us-pw-bentley.com\_sener-us-pw-01\do\fa\cordoba\dms24260\VPB-CV-R1019-E2.dgn

5/24/2021 6:30:12 AM

cordo



**ANGELES FOREST HIGHWAY "AFH"**  
**PROFILE**  
 HORIZ: 1"=100'  
 VERT: 1"=10'  
 DESIGN SPEED 50 MPH

STATION	10+00	12+00	14+00	16+00	18+00	20+00	22+00	24+00	26+00	28+00	30+00	32+00	34+00	TOTAL
CY	Exc													
	Emb													

REV	DATE	BY	CHK	APP	DESCRIPTION

DESIGNED BY  
J.C. ALAMILLA  
 DRAWN BY  
A. SANZ  
 CHECKED BY  
W. GUO  
 IN CHARGE  
A. RELANO  
 DATE  
04/30/2021

**PEPD RECORD SET  
REV 02**  
  
**NOT FOR  
CONSTRUCTION**



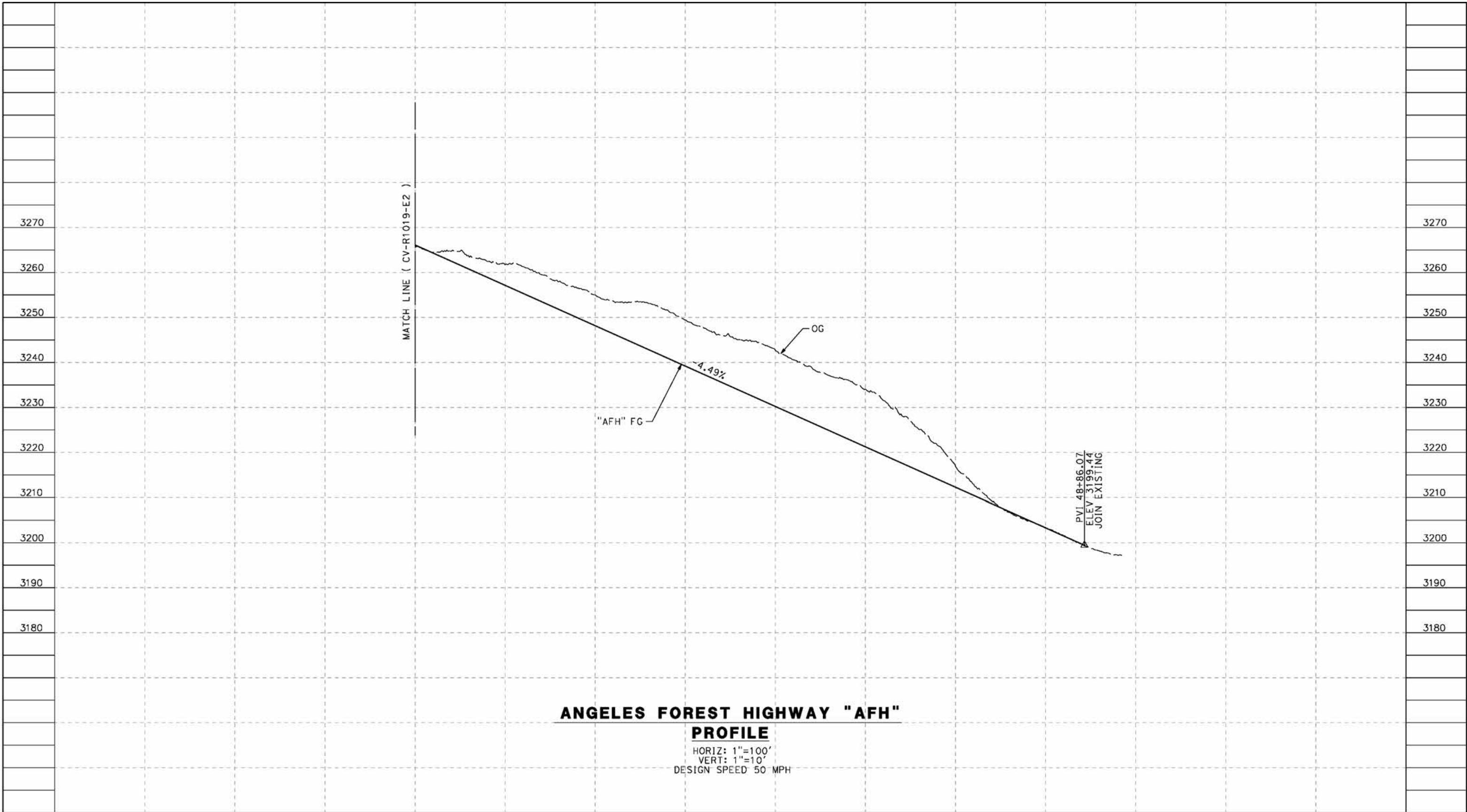
**CALIFORNIA HIGH-SPEED RAIL PROJECT**  
**PALMDALE TO BURBANK**  
 ALIGNMENT "E2"  
 ROADWAY PROFILE  
 ANGELES FOREST HIGHWAY  
 SHEET 1 OF 2

CONTRACT NO.  
HSR14-42  
 DRAWING NO.  
CV-R1019-E2  
 SCALE  
AS SHOWN  
 SHEET NO.

ct:\pwworkingdir\sener-us-pw-bentley.com\_sener-us-pw-01\dalifa.cordoba\dms24260VPB-CV-R1020-E2.dgn

5/24/2021 6:32:04 AM

cordo



**ANGELES FOREST HIGHWAY "AFH"**

**PROFILE**

HORIZ: 1"=100'  
 VERT: 1"=10'  
 DESIGN SPEED 50 MPH

STATION	34+00	36+00	38+00	40+00	42+00	44+00	46+00	48+00	50+00	TOTAL
CY	Exc									
	Emb									

REV	DATE	BY	CHK	APP	DESCRIPTION

DESIGNED BY  
J.C. ALAMILLA  
 DRAWN BY  
A. SANZ  
 CHECKED BY  
W. GUO  
 IN CHARGE  
A. RELANO  
 DATE  
04/30/2021

**PEPD RECORD SET  
 REV 02  
 NOT FOR  
 CONSTRUCTION**



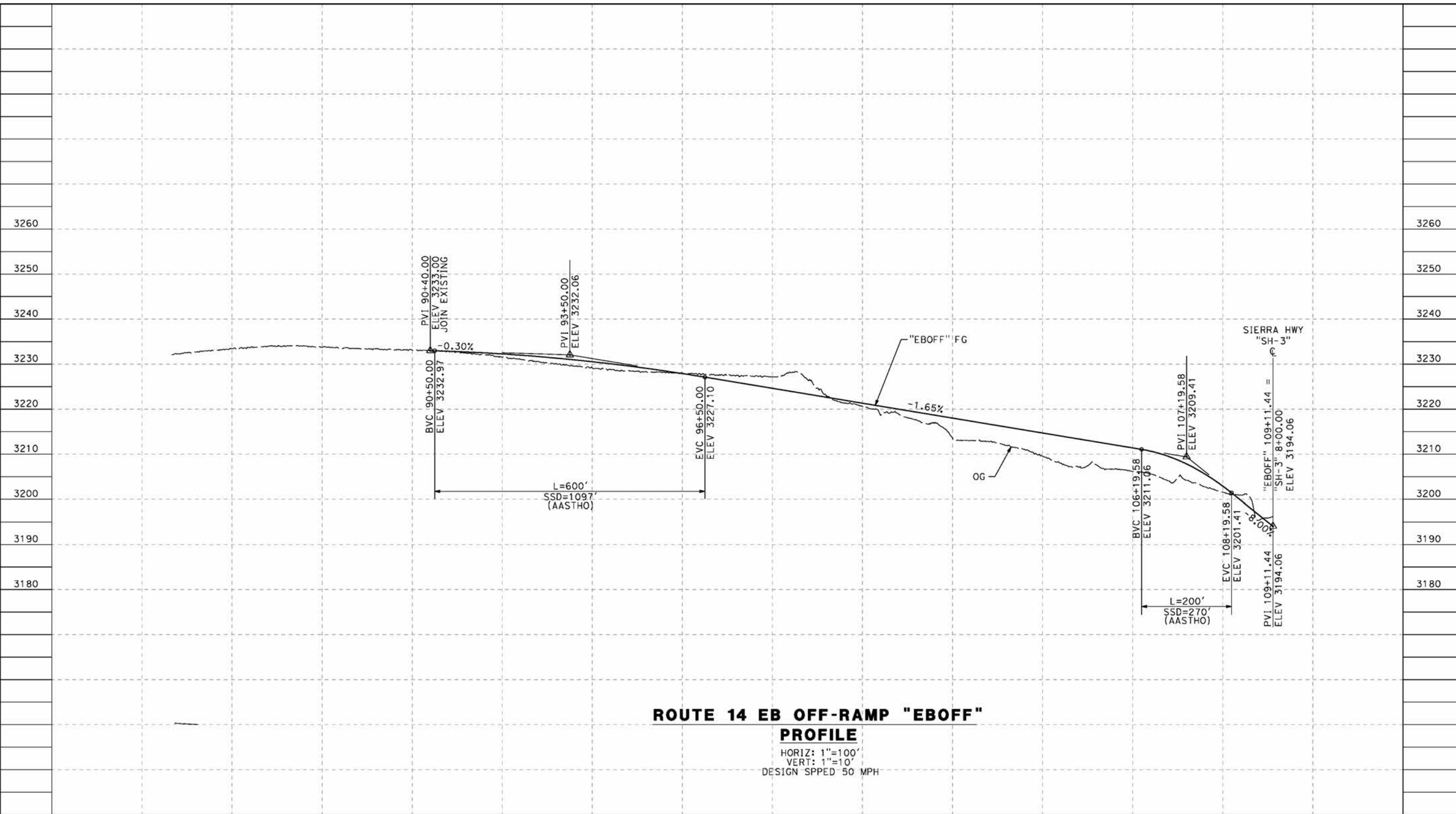
**CALIFORNIA HIGH-SPEED RAIL PROJECT  
 PALMDALE TO BURBANK**  
 ALIGNMENT "E2"  
 ROADWAY PROFILE  
 ANGELES FOREST HIGHWAY  
 SHEET 2 OF 2

CONTRACT NO.  
HSR14-42  
 DRAWING NO.  
CV-R1020-E2  
 SCALE  
AS SHOWN  
 SHEET NO.

ct:\pwworkingdir\sener-us-pw-bentley.com\_sener-us-pw-01\doifa.cordoba\dms24260\PB-CV-R1021-E2.dgn

5/24/2021 6:36:59 AM

cordo



**ROUTE 14 EB OFF-RAMP "EBOFF" PROFILE**

HORIZ: 1"=100'  
 VERT: 1"=10'  
 DESIGN SPEED 50 MPH

STATION	84+00	86+00	88+00	90+00	92+00	94+00	96+00	98+00	100+00	102+00	104+00	106+00	108+00	110+00	TOTAL
Exc															
Emb															

DESIGNED BY  
J.C. ALAMILLA  
 DRAWN BY  
A. SANZ  
 CHECKED BY  
R. RODRIGUEZ  
 IN CHARGE  
A. RELANO  
 DATE  
04/30/2021

**PEPD RECORD SET  
 REV 02  
 NOT FOR  
 CONSTRUCTION**



**CALIFORNIA HIGH-SPEED RAIL PROJECT  
 PALMDALE TO BURBANK**  
 ALIGNMENT "E2"  
 ROADWAY PROFILE  
 ROUTE 14 EB OFF-RAMP

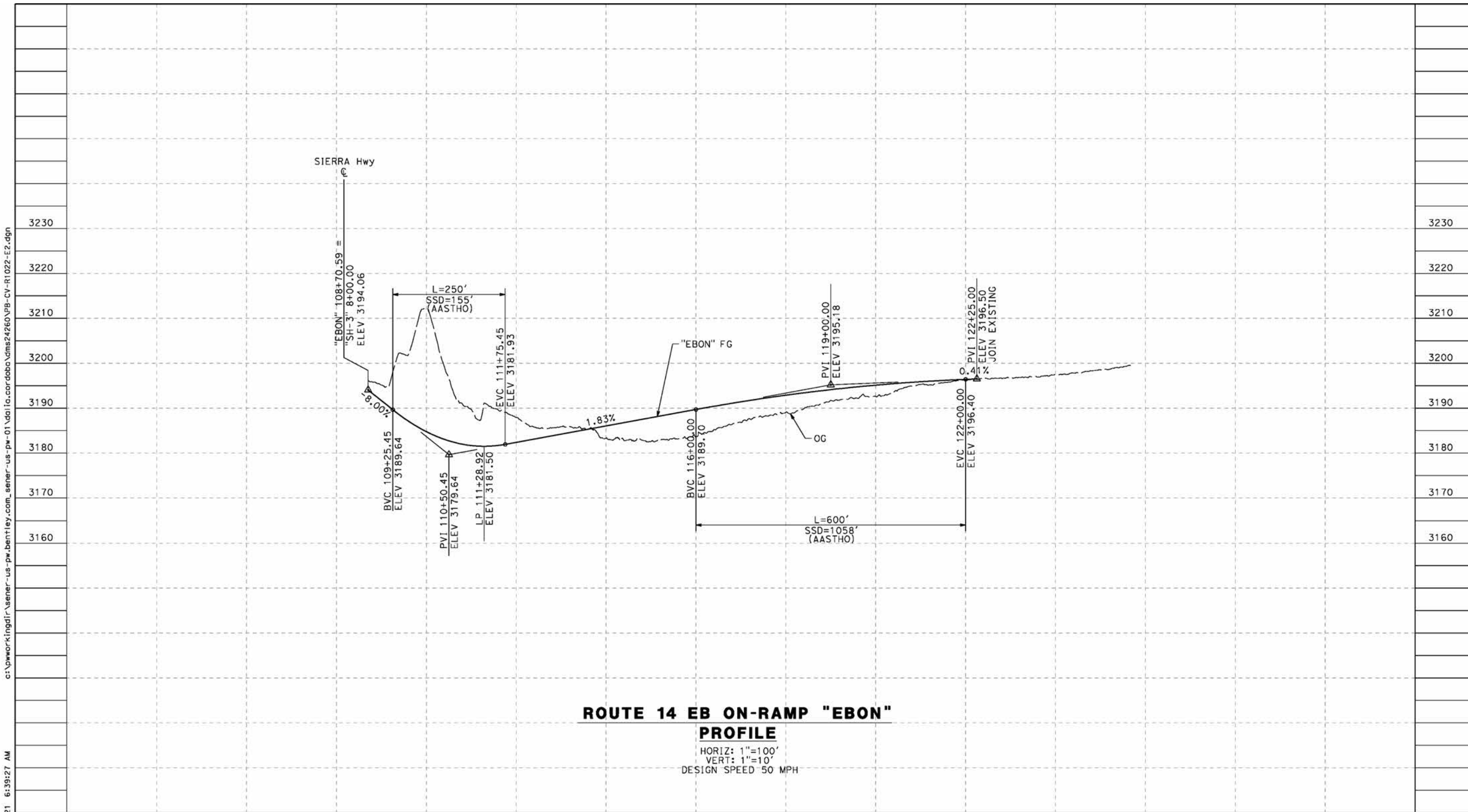
CONTRACT NO.  
HSR14-42  
 DRAWING NO.  
CV-R1021-E2  
 SCALE  
AS SHOWN  
 SHEET NO.

REV	DATE	BY	CHK	APP	DESCRIPTION

ct:\pwworkingdir\sener-us-pw-bentley.com\_sener-us-pw-01\daifa.cordoba\dms24260VPB-CV-R1022-E2.dgn

5/24/2021 6:39:27 AM

cordo



**ROUTE 14 EB ON-RAMP "EBON"**  
**PROFILE**

HORIZ: 1"=100'  
VERT: 1"=10'  
DESIGN SPEED 50 MPH

STATION	108+00	110+00	112+00	114+00	116+00	118+00	120+00	122+00	124+00	126+00	TOTAL
Exc											
Emb											

REV	DATE	BY	CHK	APP	DESCRIPTION

DESIGNED BY  
J.C. ALAMILLA  
DRAWN BY  
A. SANZ  
CHECKED BY  
W. GOU  
IN CHARGE  
A. RELANO  
DATE  
04/30/2021

**PEPD RECORD SET**  
**REV 02**  
**NOT FOR**  
**CONSTRUCTION**



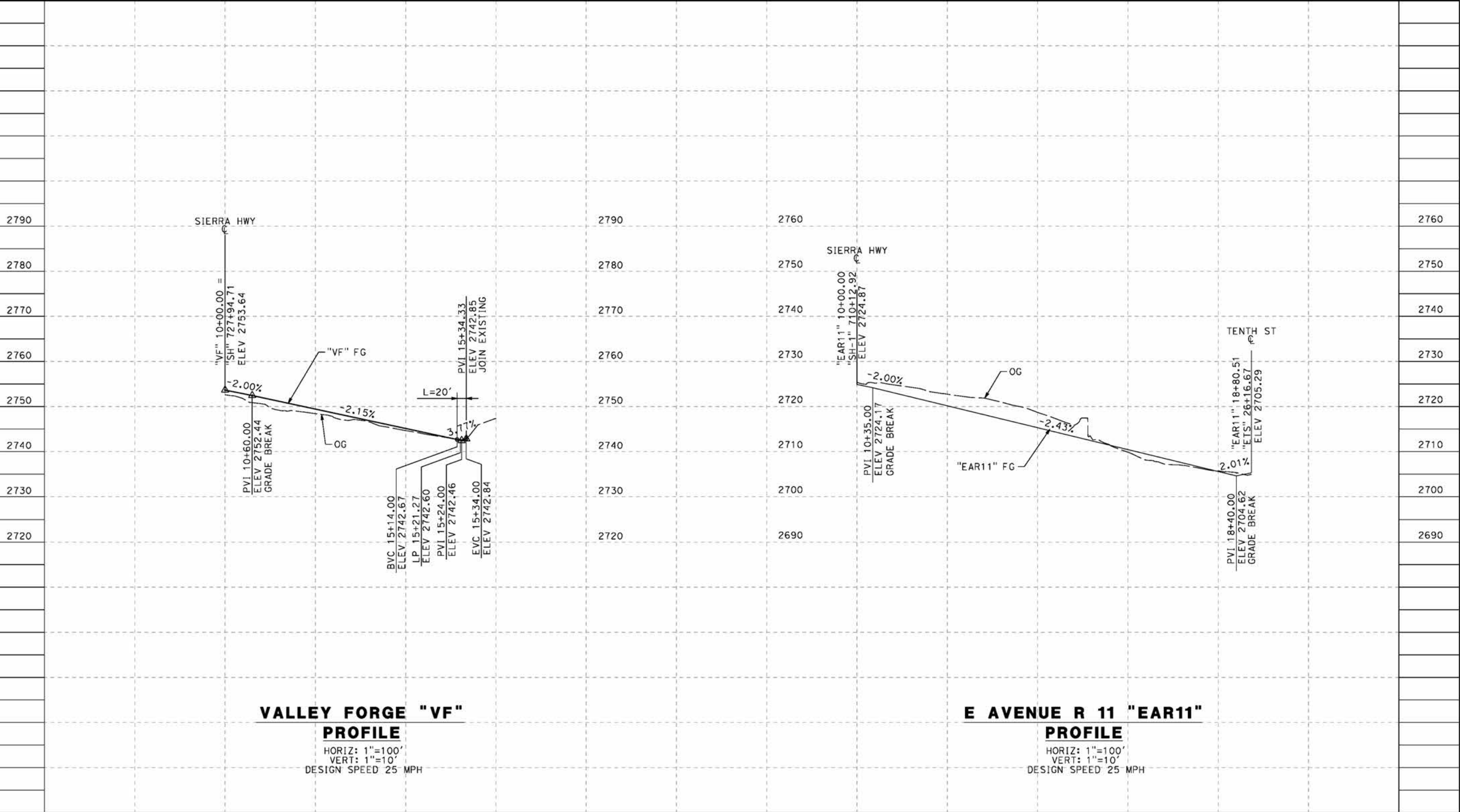
**CALIFORNIA HIGH-SPEED RAIL PROJECT**  
**PALMDALE TO BURBANK**  
ALIGNMENT "E2"  
ROADWAY PROFILE  
ROUTE 14 EB ON-RAMP

CONTRACT NO.  
HSR14-42  
DRAWING NO.  
CV-R1022-E2  
SCALE  
AS SHOWN  
SHEET NO.

ct:\pwworkingdir\sener-us-pw-bentley.com\_sener-us-pw-01\do\fa\cordoba\dms24260\VPB-CV-R1023-E2.dgn

5/24/2021 6:42:07 AM

cordo



**VALLEY FORGE "VF" PROFILE**  
 HORIZ: 1"=100'  
 VERT: 1"=10'  
 DESIGN SPEED 25 MPH

**E AVENUE R 11 "EAR11" PROFILE**  
 HORIZ: 1"=100'  
 VERT: 1"=10'  
 DESIGN SPEED 25 MPH

STATION	10+00	12+00	14+00	16+00	18+00	TOTAL
Exc						
Emb						

DESIGNED BY  
J.C. ALAMILLA  
 DRAWN BY  
A. SANZ  
 CHECKED BY  
W. GUO  
 IN CHARGE  
A. RELANO  
 DATE  
04/30/2021

**PEPD RECORD SET  
REV 02**  
  
**NOT FOR  
CONSTRUCTION**



**CALIFORNIA HIGH-SPEED RAIL PROJECT  
PALMDALE TO BURBANK**  
 ALIGNMENT "E2"  
 ROADWAY PROFILE  
 VALLEY FORGE AND EAST AVENUE R 11

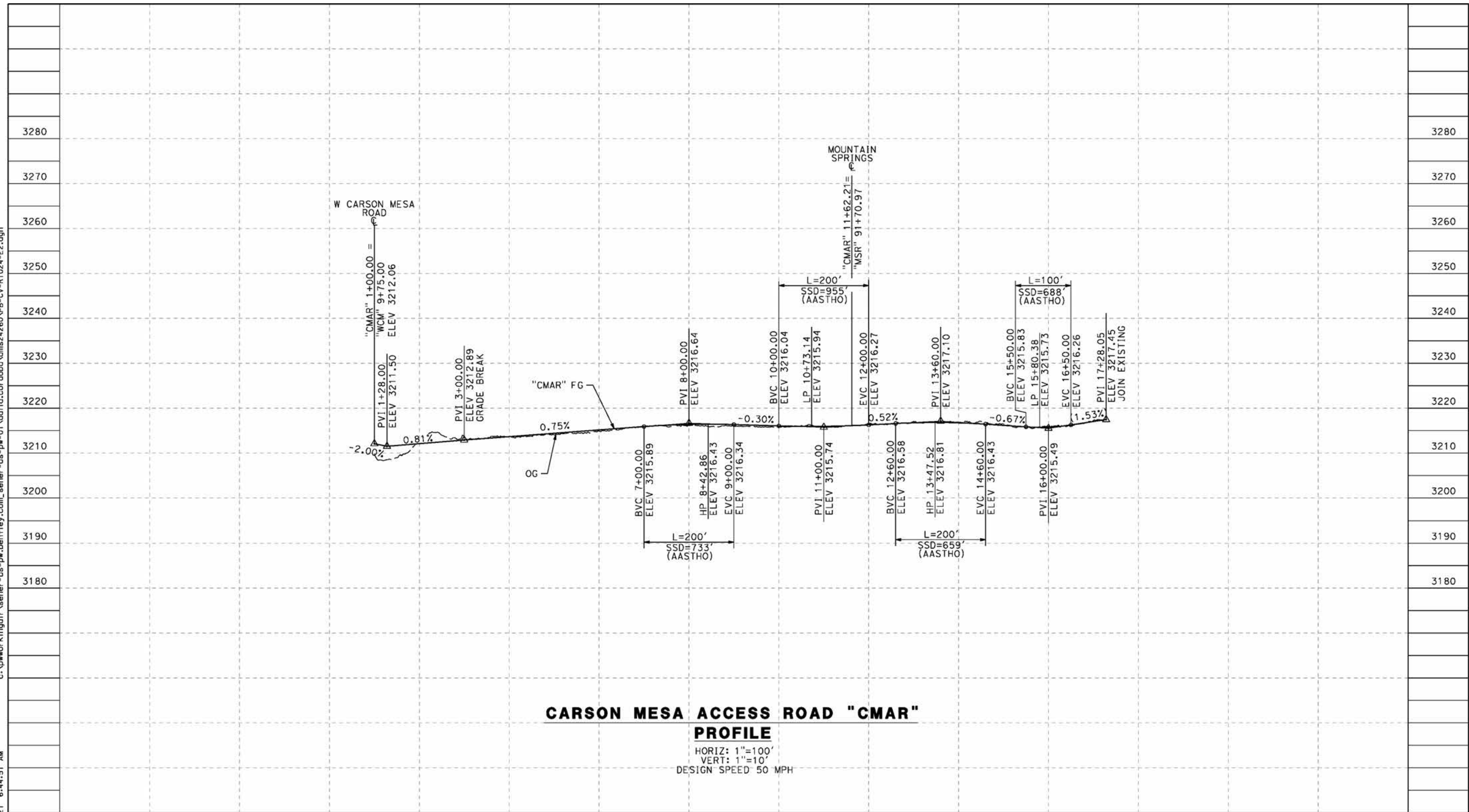
CONTRACT NO.  
HSR14-42  
 DRAWING NO.  
CV-R1023-E2  
 SCALE  
AS SHOWN  
 SHEET NO.

REV	DATE	BY	CHK	APP	DESCRIPTION

ct:\pwworkingdir\sener-us-pw-bentley.com\_sener-us-pw-01\dalifa.cordoba\dms24260VPB-CV-R1024-E2.dgn

5/24/2021 6:44:51 AM

cordo



**CARSON MESA ACCESS ROAD "CMAR" PROFILE**

HORIZ: 1"=100'  
 VERT: 1"=10'  
 DESIGN SPEED 50 MPH

STATION	0+00	2+00	4+00	6+00	8+00	10+00	12+00	14+00	16+00	18+00	20+00	TOTAL
CY	Exc											
	Emb											

REV	DATE	BY	CHK	APP	DESCRIPTION

DESIGNED BY  
J.C. ALAMILLA  
 DRAWN BY  
A. SANZ  
 CHECKED BY  
W. GUO  
 IN CHARGE  
A. RELANO  
 DATE  
04/30/2021

**PEPD RECORD SET  
 REV 02  
 NOT FOR  
 CONSTRUCTION**



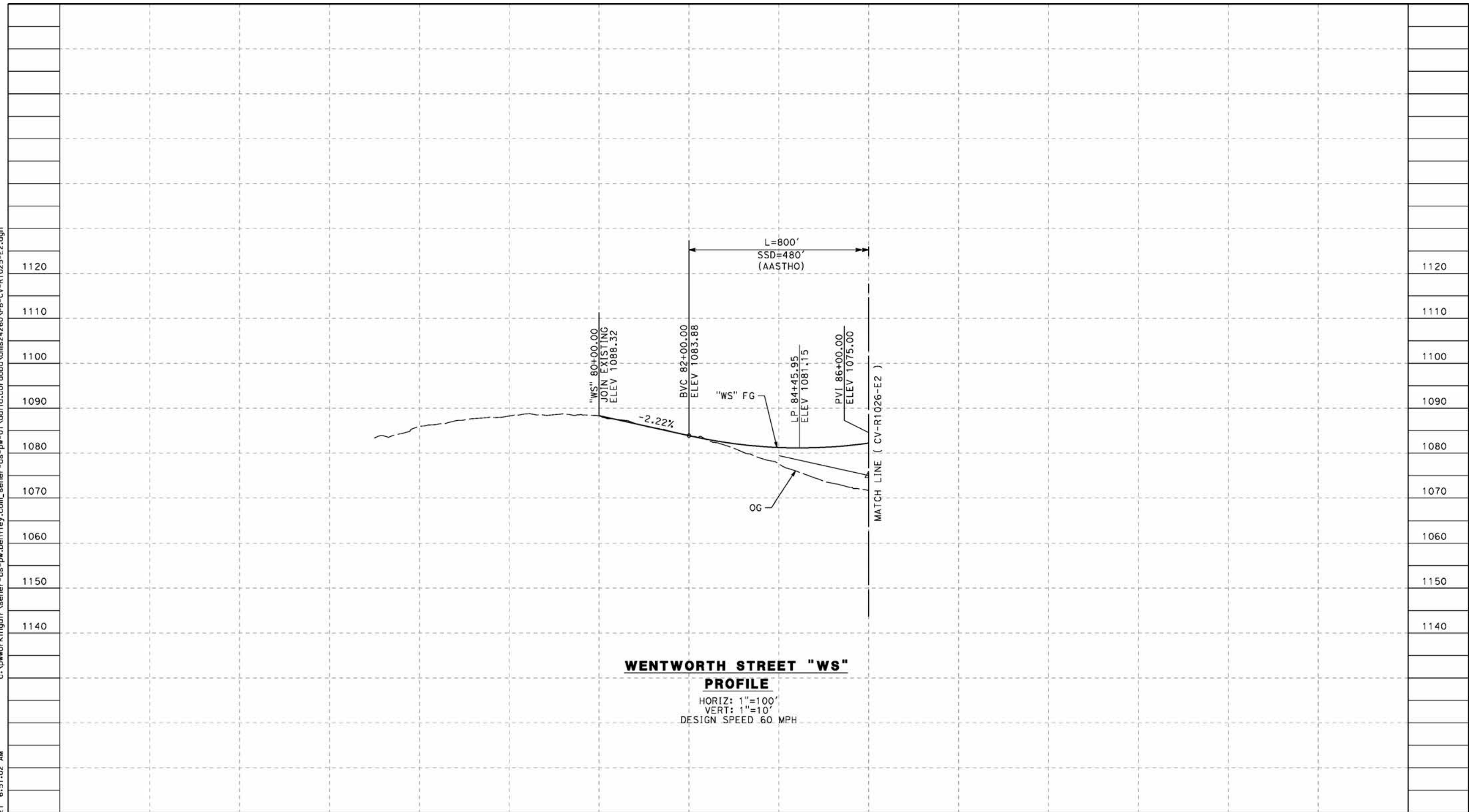
**CALIFORNIA HIGH-SPEED RAIL PROJECT  
 PALMDALE TO BURBANK**  
 ALIGNMENT "E2"  
 ROADWAY PROFILE  
 CARSON MESA ACCESS ROAD

CONTRACT NO.  
HSR14-42  
 DRAWING NO.  
CV-R1024-E2  
 SCALE  
AS SHOWN  
 SHEET NO.

ct:\pwworkingdir\sener-us-pw-bentley.com\_sener-us-pw-01\dalifa.cordoba\dms24260VPB-CV-R1025-E2.dgn

5/27/2021 6:51:02 AM

cordo



**WENTWORTH STREET "WS" PROFILE**  
 HORIZ: 1"=100'  
 VERT: 1"=10'  
 DESIGN SPEED 60 MPH

STATION	74+00	76+00	78+00	80+00	82+00	84+00	86+00	TOTAL
Exc								
Emb								

REV	DATE	BY	CHK	APP	DESCRIPTION

DESIGNED BY  
J.C. ALAMILLA  
 DRAWN BY  
A. SANZ  
 CHECKED BY  
W. GUO  
 IN CHARGE  
A. RELANO  
 DATE  
04/30/2021

**PEPD RECORD SET  
REV 02**  
  
**NOT FOR  
CONSTRUCTION**



**CALIFORNIA HIGH-SPEED RAIL PROJECT  
PALMDALE TO BURBANK**  
 ALIGNMENT "E2"  
 ROADWAY PROFILE  
 WENTWORTH STREET  
 SHEET 1 OF 3

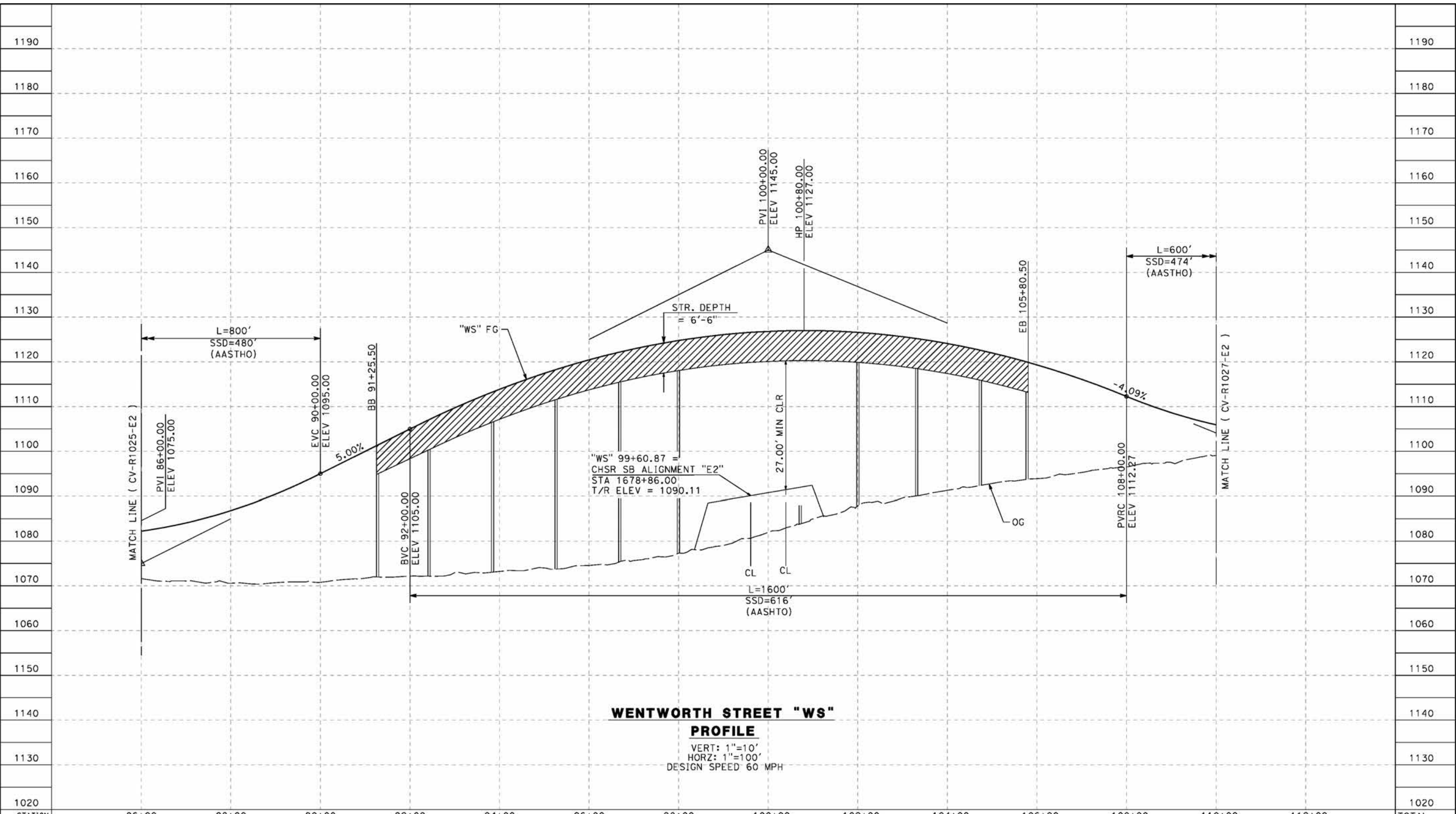
CONTRACT NO.  
HSR14-42  
 DRAWING NO.  
CV-R1025-E2  
 SCALE  
AS SHOWN  
 SHEET NO.



ct:\pwworkingdir\sener-us-pw-bentley.com\_sener-us-pw-01\dalifa.cordoba\dms24260VPB-CV-R1026-E2.dgn

5/27/2021 6:54:59 AM

cordo



**WENTWORTH STREET "WS"**

**PROFILE**  
 VERT: 1"=10'  
 HORZ: 1"=100'  
 DESIGN SPEED 60 MPH

STATION	86+00	88+00	90+00	92+00	94+00	96+00	98+00	100+00	102+00	104+00	106+00	108+00	110+00	112+00	TOTAL
Exc															
Emb															

DESIGNED BY  
J.C. ALAMILLA  
 DRAWN BY  
A. SANZ  
 CHECKED BY  
W. GUO  
 IN CHARGE  
A. RELANO  
 DATE  
04/30/2021

**PEPD RECORD SET  
 REV 02  
 NOT FOR  
 CONSTRUCTION**



**CALIFORNIA HIGH-SPEED RAIL PROJECT  
 PALMDALE TO BURBANK**  
 ALIGNMENT "E2"  
 ROADWAY PROFILE  
 WENTWORTH STREET  
 SHEET 2 OF 3

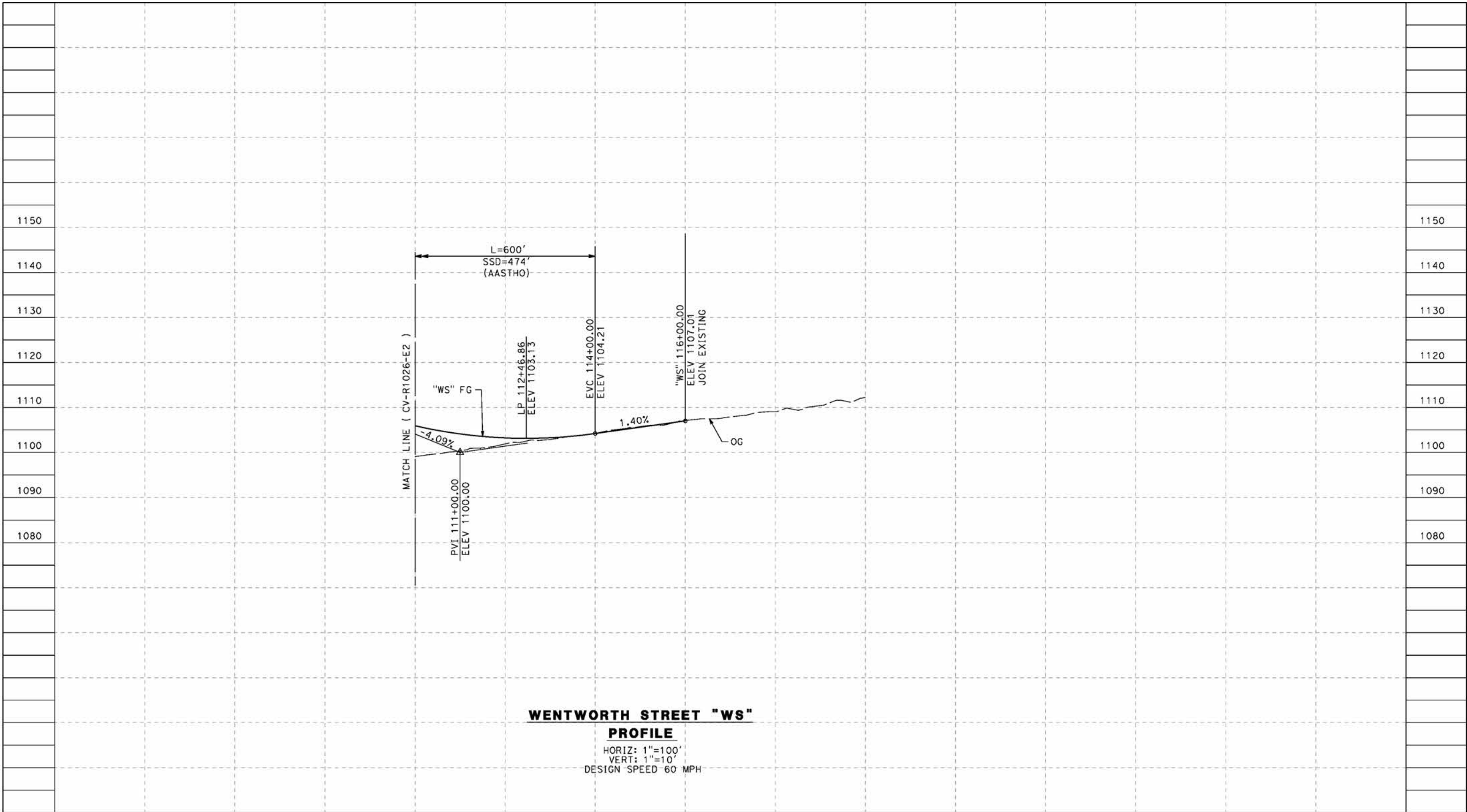
CONTRACT NO.  
HSR14-42  
 DRAWING NO.  
CV-R1026-E2  
 SCALE  
AS SHOWN  
 SHEET NO.

REV	DATE	BY	CHK	APP	DESCRIPTION

ct:\pwworkingdir\sener-us-pw-bentley.com\_sener-us-pw-01\doifa.cordoba\dms24260VPB-CV-R1027-E2.dgn

5/27/2021 6:57:41 AM

cordo



**WENTWORTH STREET "WS"**

**PROFILE**

HORIZ: 1"=100'  
 VERT: 1"=10'  
 DESIGN SPEED 60 MPH

STATION	110+00	112+00	114+00	116+00	118+00	120+00	114+00	TOTAL
Exc								
Emb								

REV	DATE	BY	CHK	APP	DESCRIPTION

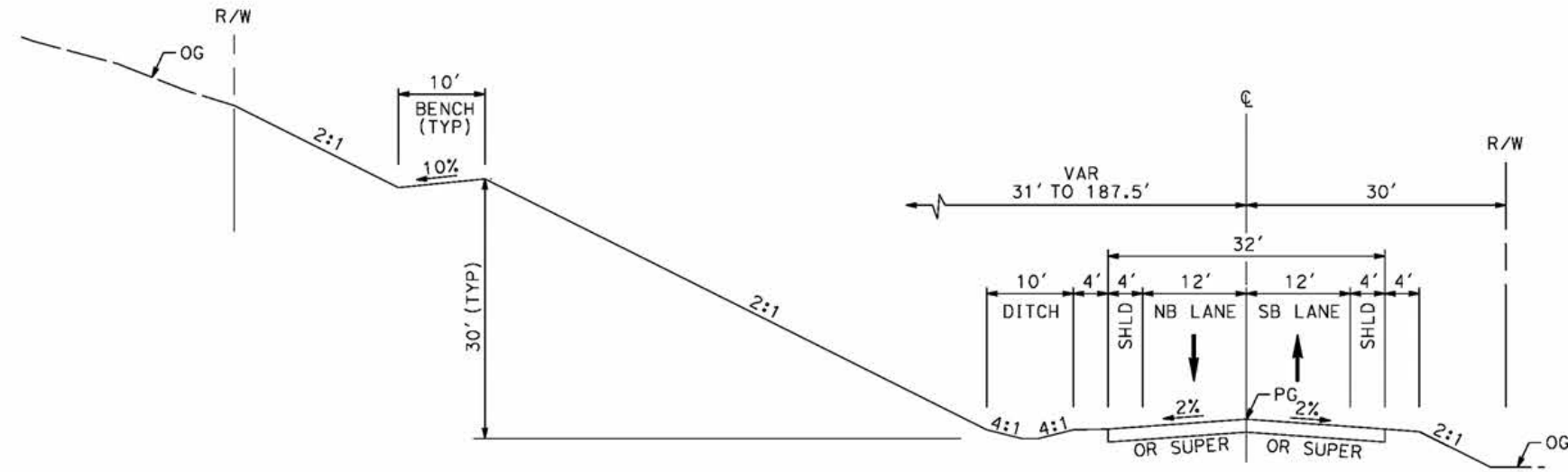
DESIGNED BY  
J.C. ALAMILLA  
 DRAWN BY  
A. SANZ  
 CHECKED BY  
W. GUO  
 IN CHARGE  
A. RELANO  
 DATE  
04/30/2021

**PEPD RECORD SET  
 REV 02  
 NOT FOR  
 CONSTRUCTION**

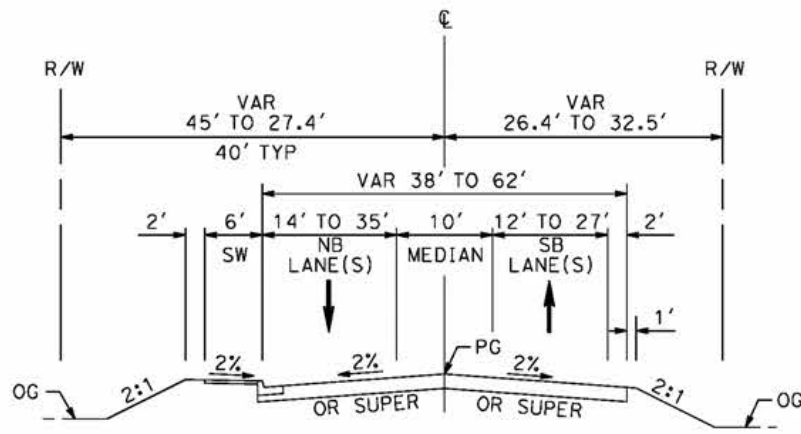


**CALIFORNIA HIGH-SPEED RAIL PROJECT  
 PALMDALE TO BURBANK**  
 ALIGNMENT "E2"  
 ROADWAY PROFILE  
 WENTWORTH STREET  
 SHEET 3 OF 3

CONTRACT NO.  
HSR14-42  
 DRAWING NO.  
CV-R1027-E2  
 SCALE  
AS SHOWN  
 SHEET NO.



**SIERRA HIGHWAY**  
 STA 728+50 TO 775+12  
 MAJOR ARTERIAL (B1)  
 PER CITY OF PALMDALE GENERAL PLAN



**SIERRA HIGHWAY**  
 STA 708+63 TO STA 728+50  
 MAJOR ARTERIAL (B1)  
 PER CITY OF PALMDALE GENERAL PLAN

c:\pwworkingdir\sener-us-pw-bentley.com\_sener-us-pw-01\dalifa.cordoba\dms24260\PB-CV-R3001-E2.dgn

4/29/2021 8:58:01 PM

cordo

REV	DATE	BY	CHK	APP	DESCRIPTION

DESIGNED BY  
**J.C. ALAMILLA**

DRAWN BY  
**A. SANZ**

CHECKED BY  
**W. GUO**

IN CHARGE  
**A. RELANO**

DATE  
**04/30/2021**

**PEPD RECORD SET**  
 REV 02

**NOT FOR CONSTRUCTION**



**CALIFORNIA HIGH-SPEED RAIL PROJECT**  
**PALMDALE TO BURBANK**

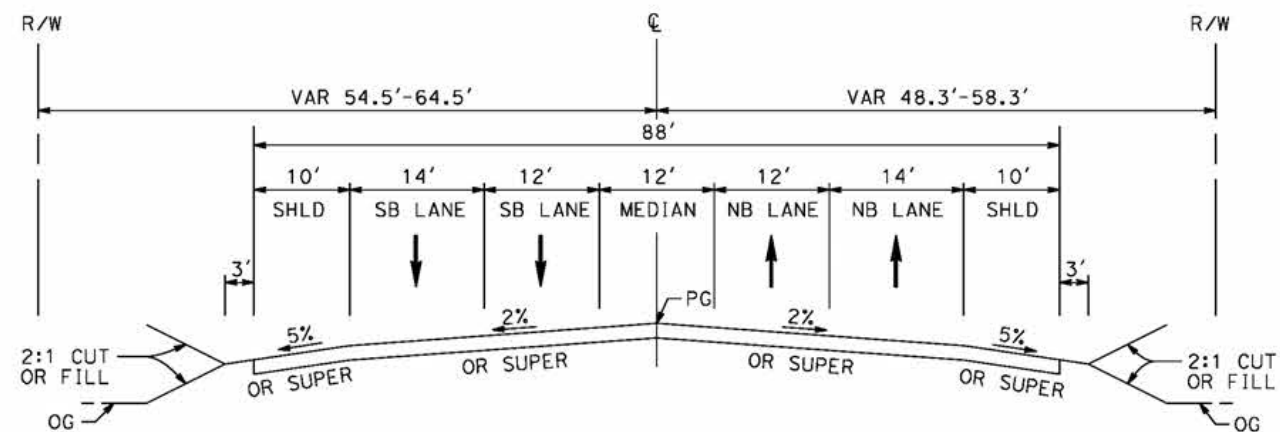
ALIGNMENT "E2"  
 TYPICAL SECTIONS  
 SIERRA HIGHWAY  
 SHEET 1 OF 2

CONTRACT NO.  
HSR14-42

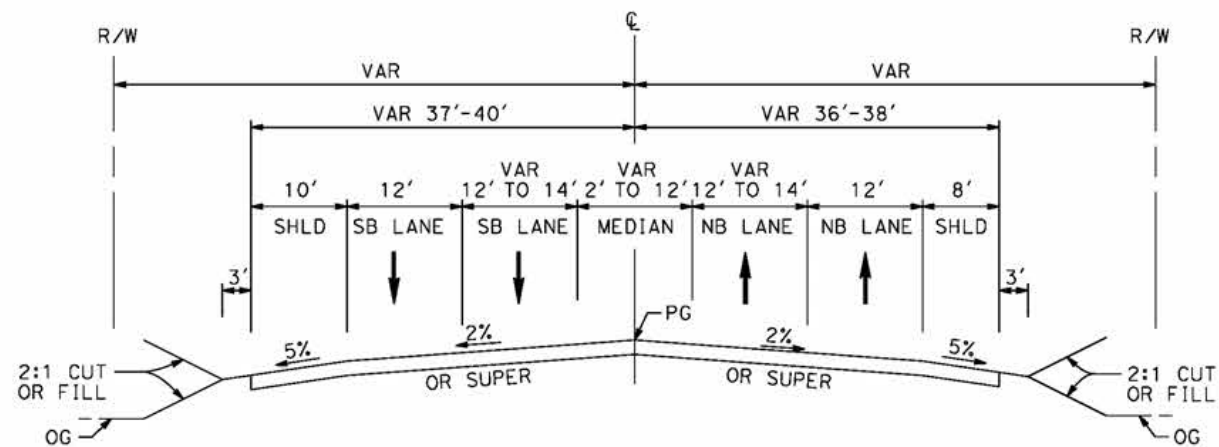
DRAWING NO.  
CV-R3001-E2

SCALE  
NO SCALE

SHEET NO.



**SIERRA HIGHWAY**  
 STA 8+00 TO STA 34+50  
 MAJOR HIGHWAY  
 PER LOS ANGELES COUNTY  
 MASTER PLAN OF HIGHWAYS



**SIERRA HIGHWAY**  
 STA 4+27 TO STA 8+00  
 MAJOR HIGHWAY  
 PER LOS ANGELES COUNTY  
 MASTER PLAN OF HIGHWAYS

c:\pwworkingdir\sener-us-pw-bentley.com\_sener-us-pw-01\dalila.cordoba\dms24260\PB-CV-R3002-E2.dgn

4/29/2021 8:59:48 PM

cordo

REV	DATE	BY	CHK	APP	DESCRIPTION

DESIGNED BY  
**J.C. ALAMILLA**  
 DRAWN BY  
**A. SANZ**  
 CHECKED BY  
**W. GUO**  
 IN CHARGE  
**A. RELANO**  
 DATE  
**04/30/2021**

**PEPD RECORD SET**  
 REV 02  
**NOT FOR CONSTRUCTION**



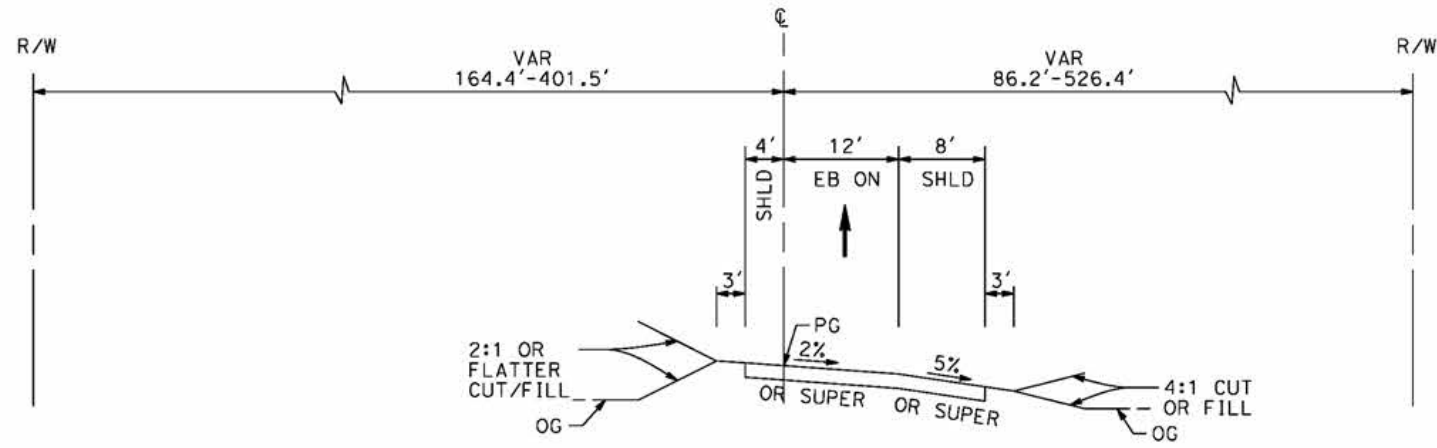
**CALIFORNIA HIGH-SPEED RAIL PROJECT**  
**PALMDALE TO BURBANK**  
 ALIGNMENT "E2"  
 TYPICAL SECTIONS  
 SIERRA HIGHWAY  
 SHEET 2 OF 2

CONTRACT NO.  
HSR14-42  
 DRAWING NO.  
CV-R3002-E2  
 SCALE  
NO SCALE  
 SHEET NO.

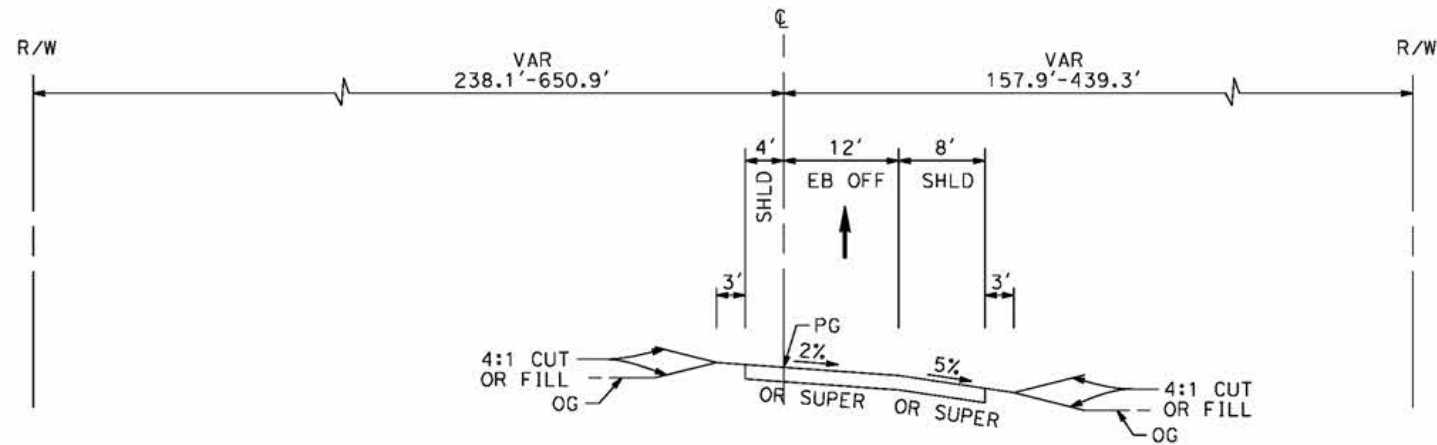
ct:\pwworkingdir\sener-us-pw-bentley.com\_sener-us-pw-01\dalila.cordoba\dms24260\PB-CV-R3003-E2.dgn

4/29/2021 9:01:25 PM

cordo



**ROUTE 14 EB ON-RAMP**  
STA 109+30 TO STA 122+25



**ROUTE 14 EB OFF-RAMP**  
STA 90+40 TO STA 108+68

REV	DATE	BY	CHK	APP	DESCRIPTION

DESIGNED BY  
**J.C. ALAMILLA**  
DRAWN BY  
**A. SANZ**  
CHECKED BY  
**W. GUO**  
IN CHARGE  
**A. RELANO**  
DATE  
**04/30/2021**

**PEPD RECORD SET**  
REV 02  
**NOT FOR CONSTRUCTION**



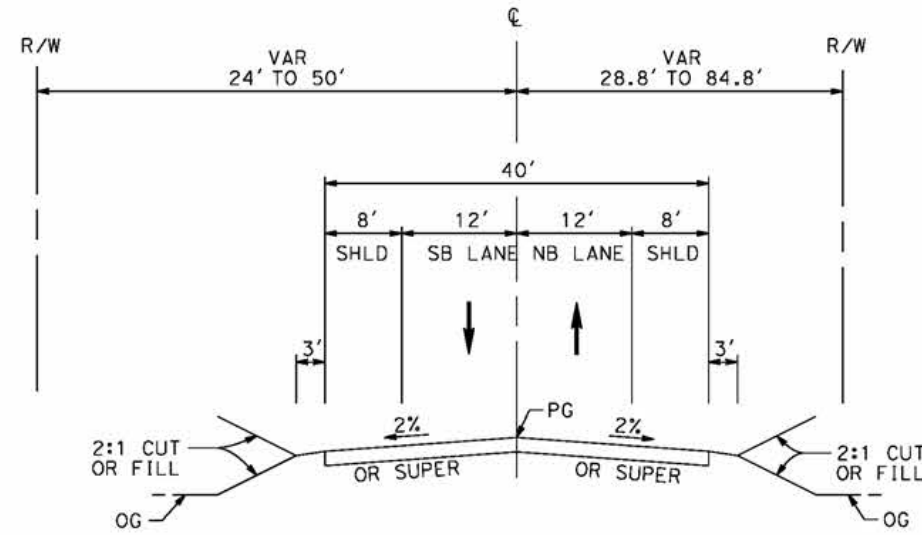
**CALIFORNIA HIGH-SPEED RAIL PROJECT**  
**PALMDALE TO BURBANK**  
ALIGNMENT "E2"  
TYPICAL SECTIONS  
ROUTE 14 EB ON-RAMP AND ROUTE 14 EB OFF-RAMP

CONTRACT NO.  
HSR14-42  
DRAWING NO.  
CV-R3003-E2  
SCALE  
NO SCALE  
SHEET NO.

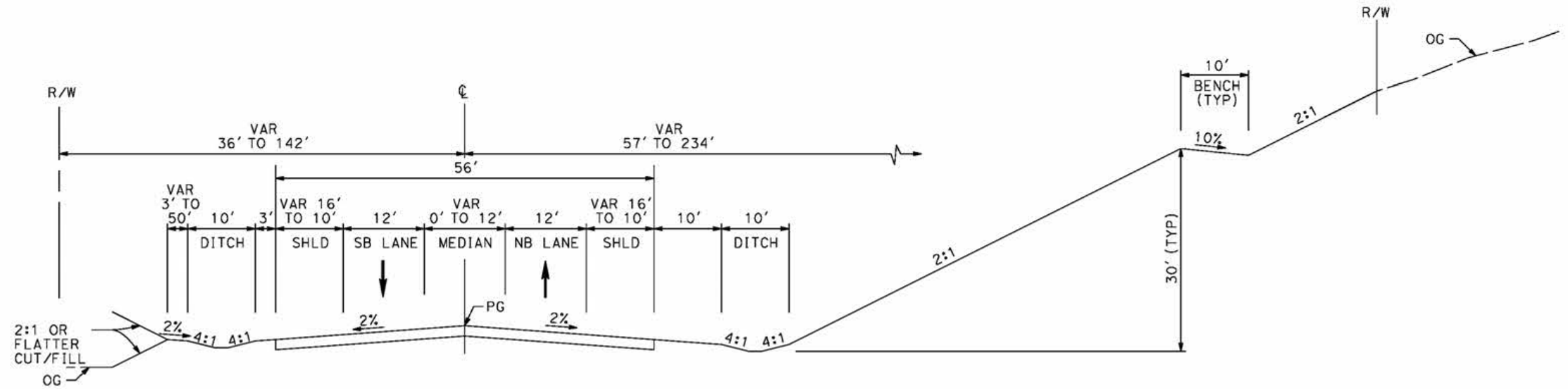
c:\pwworkingdir\sener-us-pw-bentley.com\_sener-us-pw-01\dalila.cordoba\dms24260VPB-CV-R3004-E2.dgn

4/29/2021 9:03:14 PM

cordo



**SIERRA HIGHWAY**  
 STA 86+80 TO STA 114+66  
 MAJOR HIGHWAY  
 PER LOS ANGELES COUNTY  
 MASTER PLAN OF HIGHWAYS



**ANGELES FOREST HIGHWAY**  
 STA 1+33 TO STA 48+86  
 MAJOR HIGHWAY  
 PER LOS ANGELES COUNTY  
 MASTER PLAN OF HIGHWAYS

REV	DATE	BY	CHK	APP	DESCRIPTION

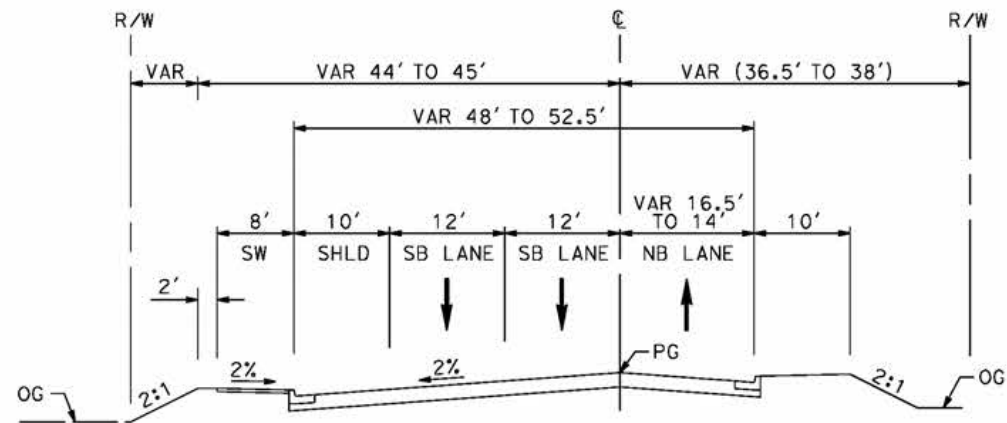
DESIGNED BY  
**J.C. ALAMILLA**  
 DRAWN BY  
**A. SANZ**  
 CHECKED BY  
**W. GUO**  
 IN CHARGE  
**A. RELANO**  
 DATE  
**04/30/2021**

**PEPD RECORD SET**  
 REV 02  
**NOT FOR CONSTRUCTION**

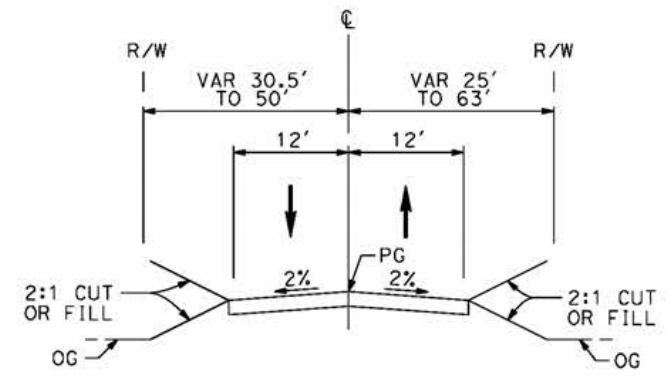


**CALIFORNIA HIGH-SPEED RAIL PROJECT**  
**PALMDALE TO BURBANK**  
 ALIGNMENT "E2"  
 TYPICAL SECTIONS  
 SIERRA HIGHWAY AND ANGELES FOREST HIGHWAY

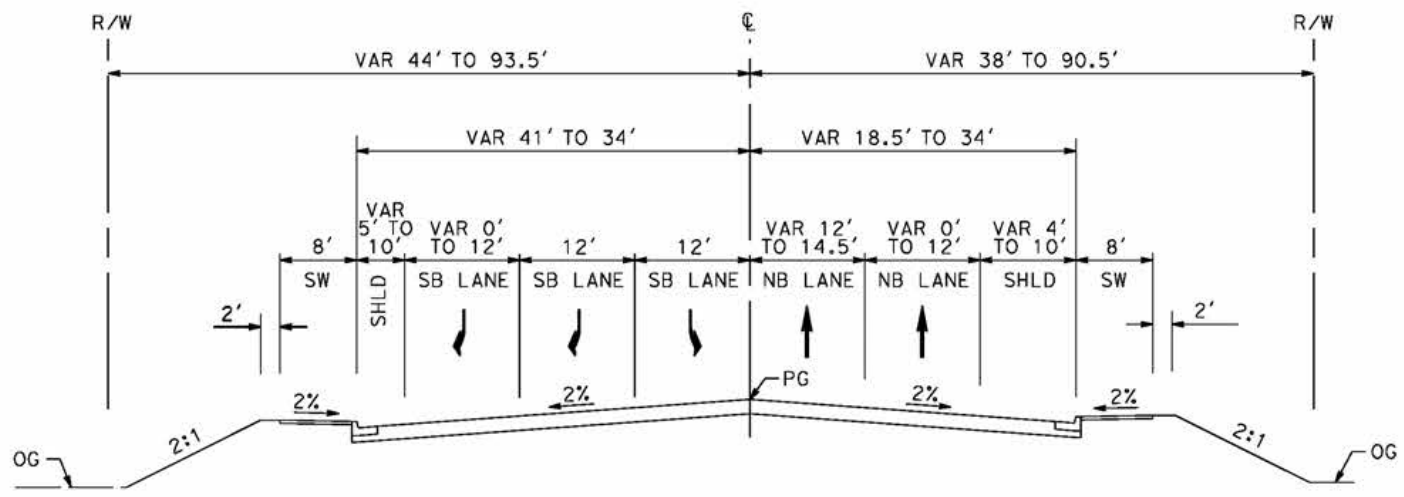
CONTRACT NO.  
 HSR14-42  
 DRAWING NO.  
 CV-R3004-E2  
 SCALE  
 NO SCALE  
 SHEET NO.



**EAST TENTH STREET**  
 STA 22+71 TO STA 32+38  
 SECONDARY ARTERIAL  
 PER CITY OF PALMDALE GENERAL PLAN



**WATER TREATMENT PLANT ACCESS RD 2**  
 STA 0+00 TO STA 8+00



**EAST TENTH STREET**  
 STA 10+49 TO STA 22+71  
 SECONDARY ARTERIAL  
 PER CITY OF PALMDALE GENERAL PLAN

c:\pwworkingdir\sener-us-pw-bentley.com\_sener-us-pw-01\dalifa\_cordoba\dms24260VPB-CV-R3005-E2.dgn

5/27/2021 7:00:33 AM

REV	DATE	BY	CHK	APP	DESCRIPTION

DESIGNED BY  
J.C. ALAMILLA  
 DRAWN BY  
A. SANZ  
 CHECKED BY  
W. GUO  
 IN CHARGE  
A. RELANO  
 DATE  
04/30/2021

**PEPD RECORD SET**  
 REV 02  
**NOT FOR CONSTRUCTION**



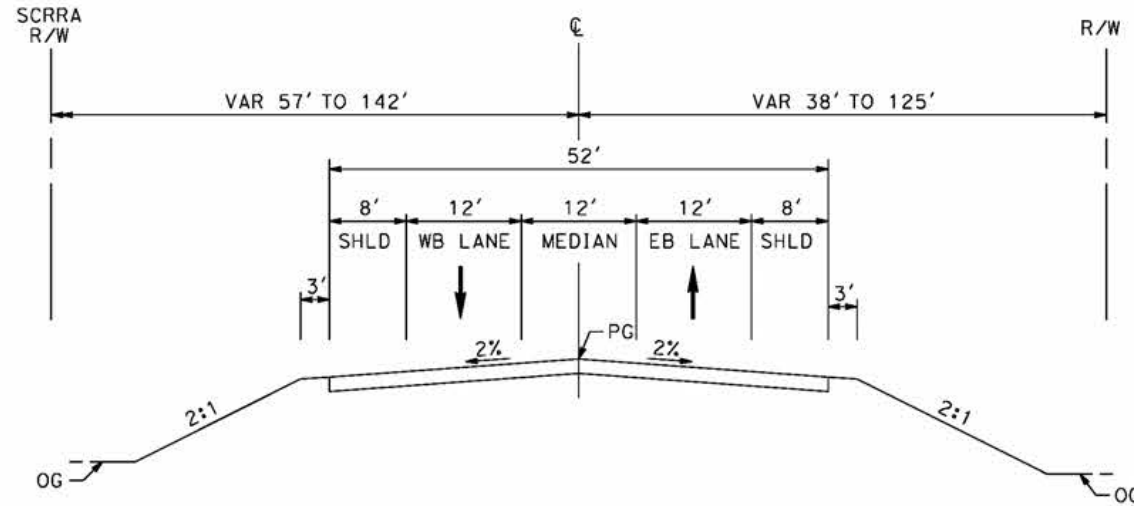
**CALIFORNIA HIGH-SPEED RAIL PROJECT**  
**PALMDALE TO BURBANK**  
 ALIGNMENT "E2"  
 TYPICAL SECTIONS  
 EAST TENTH STREET  
 AND WATER TREATMENT PLANT ACCESS RD 2

CONTRACT NO.	HSR14-42
DRAWING NO.	CV-R3005-E2
SCALE	NO SCALE
SHEET NO.	

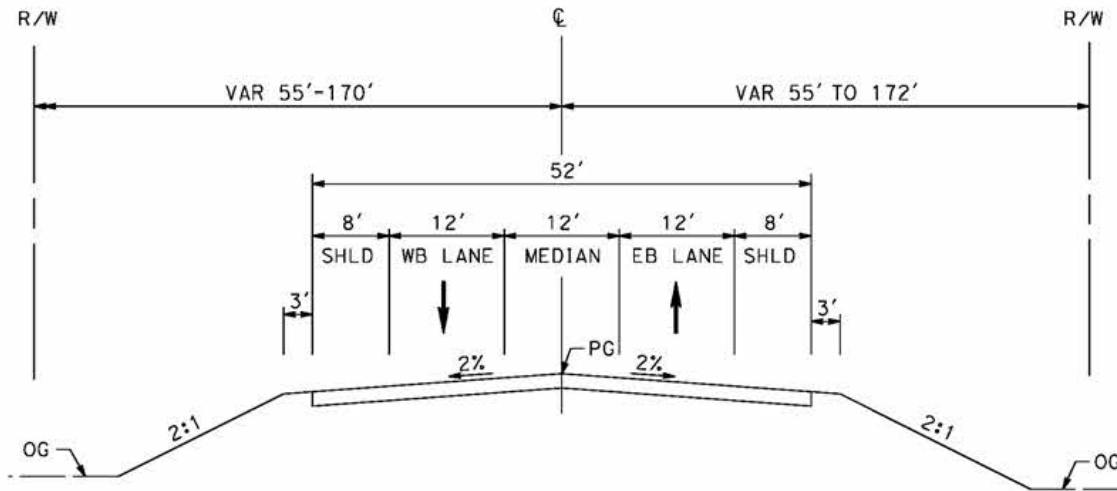
c:\pwworkingdir\sener-us-pw-bentley.com\_sener-us-pw-01\dalila.cordoba\dms24260\VB-CV-R3006-E2.dgn

5/24/2021 6:55:19 AM

cordo



**W CARSON MESA ROAD**  
 STA 8+50 TO STA 20+00  
 LOCAL ROADWAY  
 PER LOS ANGELES COUNTY MUNICIPAL CODE  
 CHAPTER 21 PARTS 2 AND 3



**W MOUNTAIN SPRINGS ROAD**  
 STA 85+88 TO STA 98+94  
 COLLECTOR STREET  
 PER LOS ANGELES COUNTY MUNICIPAL CODE  
 CHAPTER 21 PARTS 2 AND 3

REV	DATE	BY	CHK	APP	DESCRIPTION

DESIGNED BY  
J.C. ALAMILLA  
 DRAWN BY  
A. SANZ  
 CHECKED BY  
W. GUO  
 IN CHARGE  
A. RELANO  
 DATE  
04/30/2021

**PEPD RECORD SET**  
 REV 02  
**NOT FOR CONSTRUCTION**



**CALIFORNIA HIGH-SPEED RAIL PROJECT**  
**PALMDALE TO BURBANK**  
 ALIGNMENT "E2"  
 TYPICAL SECTIONS  
 MOUNTAIN SPRINGS ROAD AND W CARSON MESA ROAD

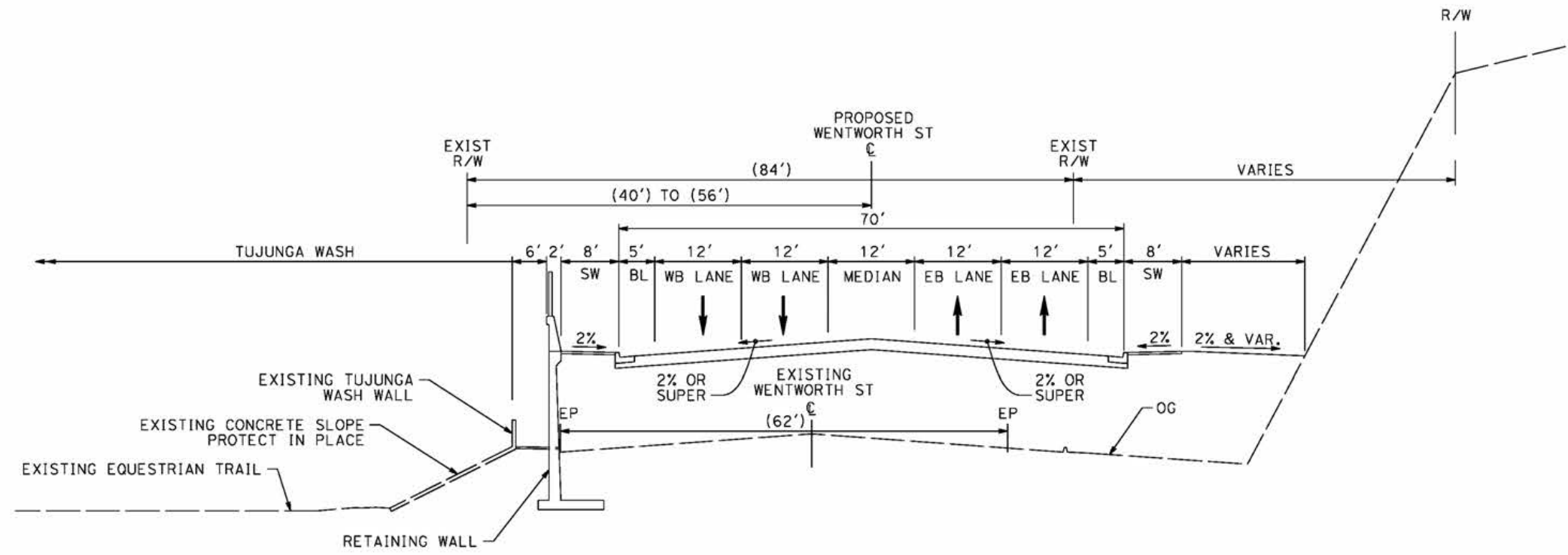
CONTRACT NO.  
HSR14-42  
 DRAWING NO.  
CV-R3006-E2  
 SCALE  
NO SCALE  
 SHEET NO.



c:\pwworkingdir\sener-us-pw-bentley.com\_sener-us-pw-01\dalifa.cordoba\dms24260VPB-CV-R3007-E2.dgn

4/29/2021 9:10:29 PM

cordo



**WENTWORTH STREET**  
 STA 80+00.00 TO STA 91+25.50  
 AVENUE II (SECONDARY HIGHWAY)  
 PER CITY OF LOS ANGELES GENERAL PLAN 2035

REV	DATE	BY	CHK	APP	DESCRIPTION

DESIGNED BY  
**J.C. ALAMILLA**  
 DRAWN BY  
**A. SANZ**  
 CHECKED BY  
**W. GUO**  
 IN CHARGE  
**A. RELANO**  
 DATE  
**04/30/2021**

**PEPD RECORD SET**  
 REV 02  
**NOT FOR CONSTRUCTION**



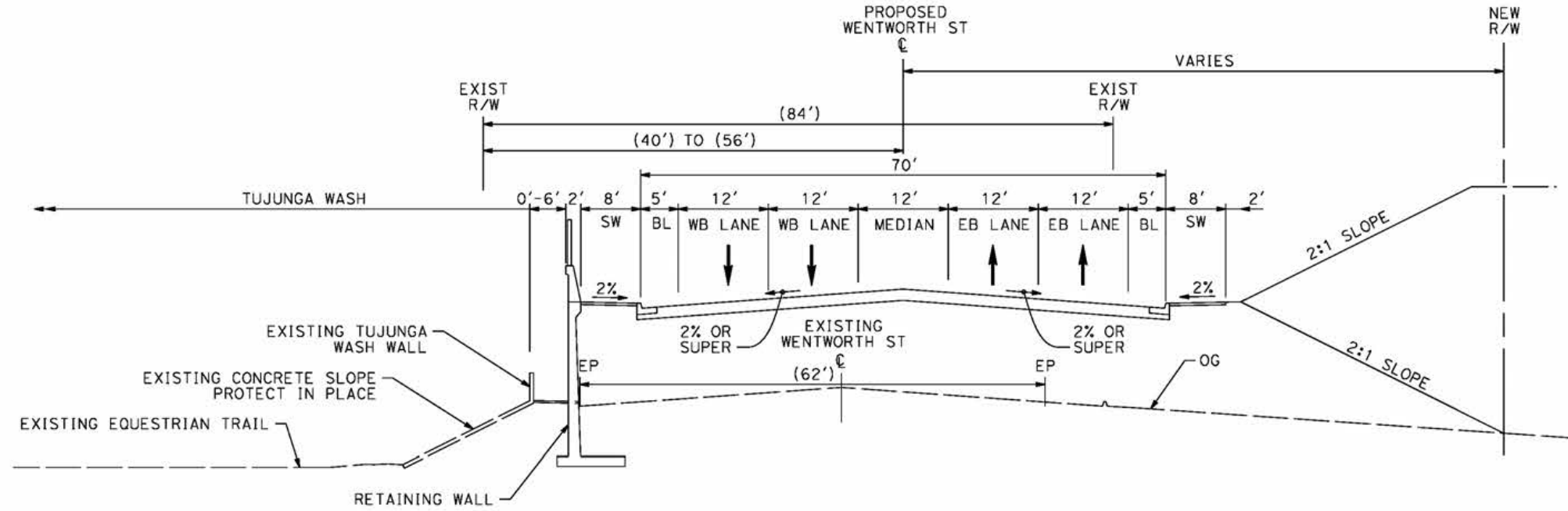
**CALIFORNIA HIGH-SPEED RAIL PROJECT**  
**PALMDALE TO BURBANK**  
 ALIGNMENT "E2"  
 TYPICAL SECTIONS  
 WENTWORTH STREET  
 SHEET 1 OF 2

CONTRACT NO.  
HSR14-42  
 DRAWING NO.  
CV-R3007-E2  
 SCALE  
NO SCALE  
 SHEET NO.

c:\pwworkingdir\sener-us-pw-bentley.com\_sener-us-pw-01\dalifa\_cordoba\dms24260VPB-CV-R3008-E2.dgn

4/29/2021 9:13:10 PM

cordo



**WENTWORTH STREET**  
 STA 105+80.50 TO STA 116+00.00  
 AVENUE II (SECONDARY HIGHWAY)  
 PER CITY OF LOS ANGELES GENERAL PLAN 2035

REV	DATE	BY	CHK	APP	DESCRIPTION

DESIGNED BY  
**J.C. ALAMILLA**  
 DRAWN BY  
**A. SANZ**  
 CHECKED BY  
**W. GUO**  
 IN CHARGE  
**A. RELANO**  
 DATE  
**04/30/2021**

**PEPD RECORD SET**  
 REV 02  
**NOT FOR CONSTRUCTION**



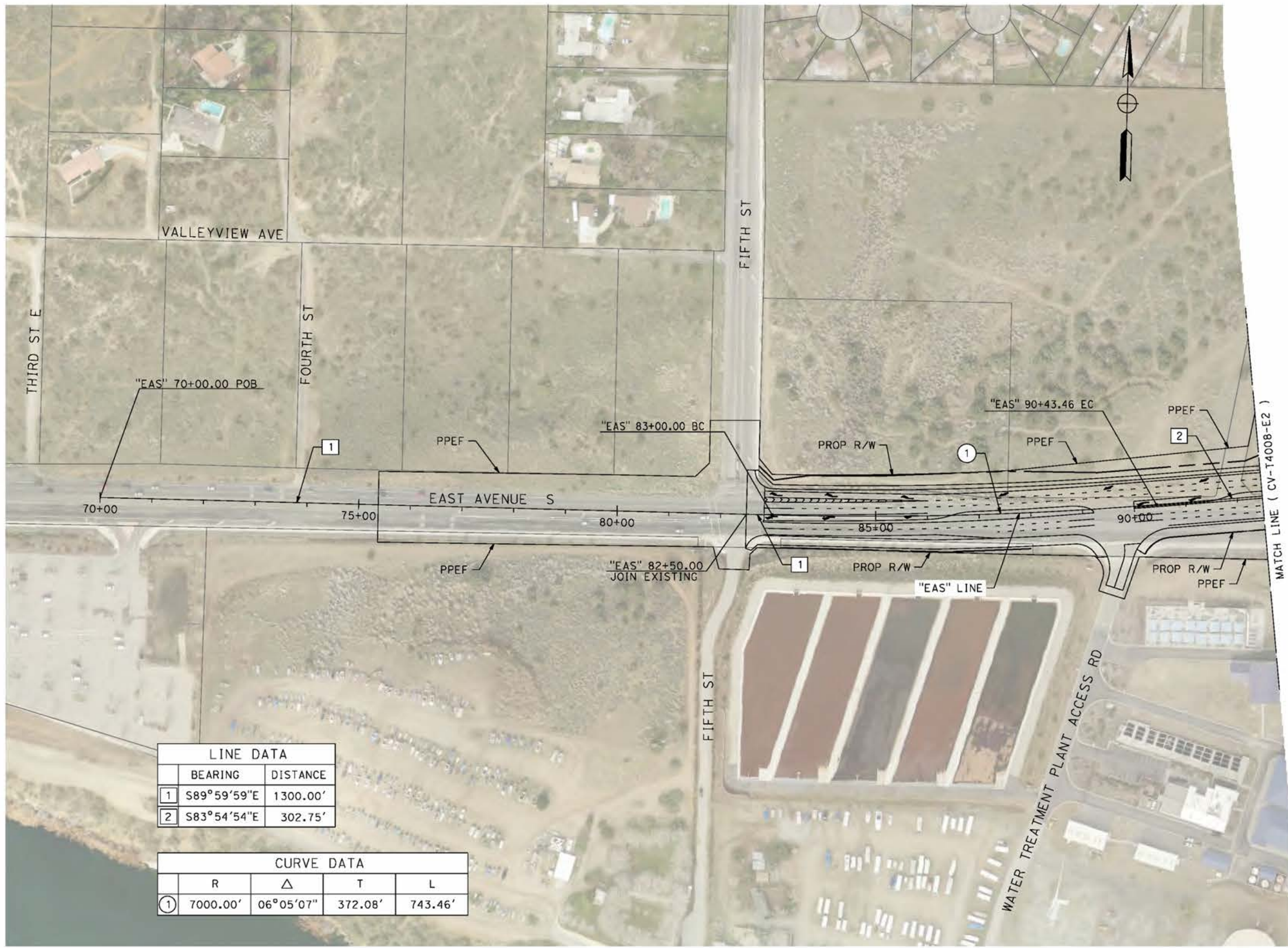
**CALIFORNIA HIGH-SPEED RAIL PROJECT**  
**PALMDALE TO BURBANK**  
 ALIGNMENT "E2"  
 TYPICAL SECTIONS  
 WENTWORTH STREET  
 SHEET 2 OF 2

CONTRACT NO.  
HSR14-42  
 DRAWING NO.  
CV-R3008-E2  
 SCALE  
NO SCALE  
 SHEET NO.

c:\pwworkingdir\sener-us-pw-bentley.com\_sener-us-pw-01\dalio.cordoba\dms24260\VB-CV-T4007-E2.dgn

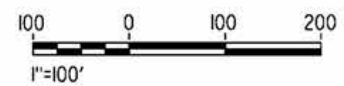
5/11/2021 10:19:47 PM

cordo



LINE DATA	
BEARING	DISTANCE
1 S89°59'59"E	1300.00'
2 S83°54'54"E	302.75'

CURVE DATA				
	R	Δ	T	L
①	7000.00'	06°05'07"	372.08'	743.46'



REV	DATE	BY	CHK	APP	DESCRIPTION

DESIGNED BY  
J.C. ALAMILLA  
DRAWN BY  
A. SANZ  
CHECKED BY  
W. GUO  
IN CHARGE  
A. RELANO  
DATE  
04/30/2021

**PEPD RECORD SET  
REV 02  
NOT FOR  
CONSTRUCTION**



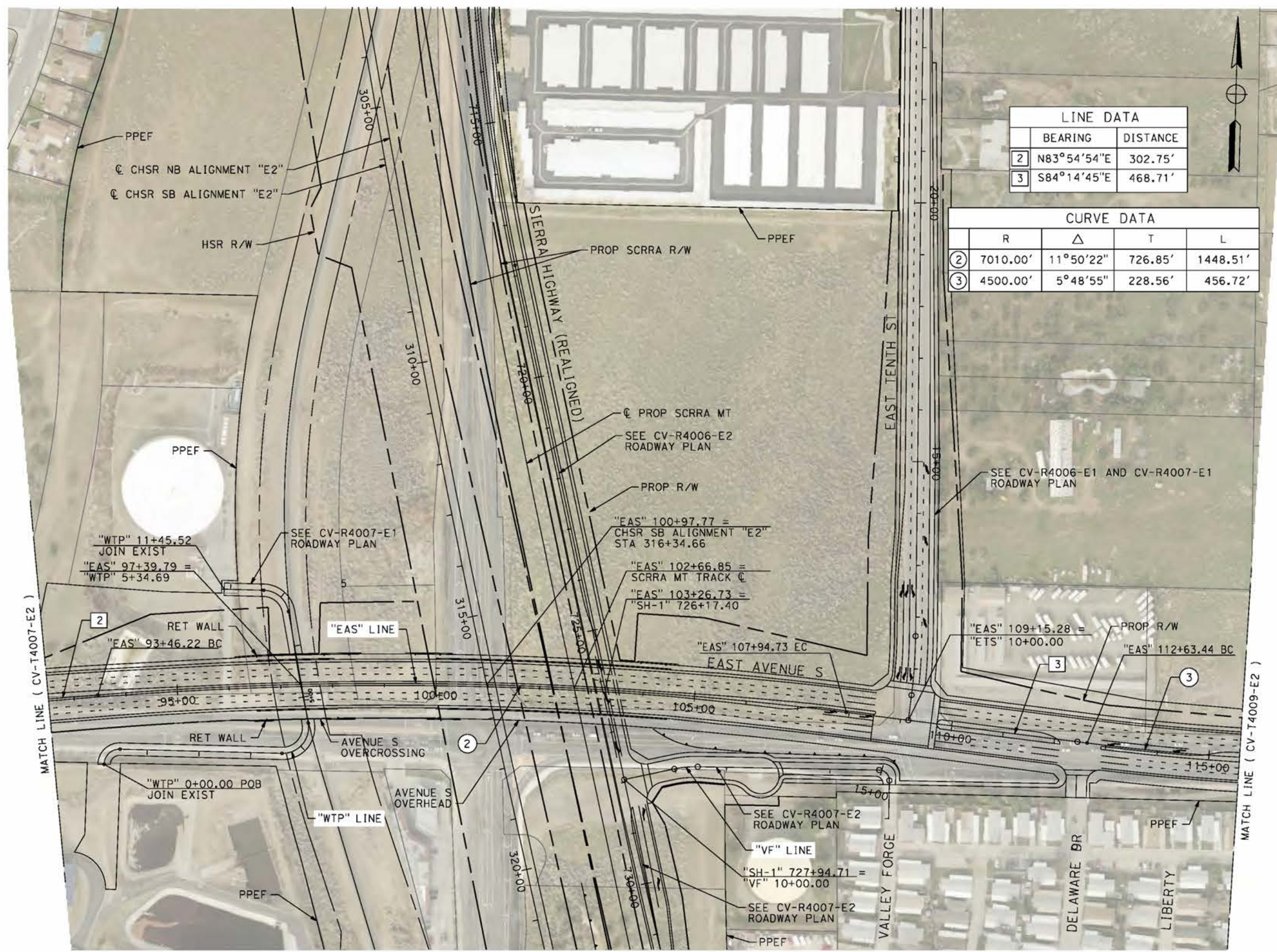
**CALIFORNIA HIGH-SPEED RAIL PROJECT  
PALMDALE TO BURBANK**  
ALIGNMENT "E2"  
GRADE SEPARATION PLAN  
EAST AVENUE S  
SHEET 1 OF 3

CONTRACT NO.  
HSR14-42  
DRAWING NO.  
CV-T4007-E2  
SCALE  
AS SHOWN  
SHEET NO.

ct:\pwworkingdir\sener-us-pw-bentley.com\_sener-us-pw-01\dalio.coroba\dms24260\VB-CV-T4008-E2.dgn

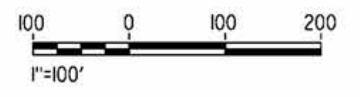
5/11/2021 10:38:48 PM

cordo



LINE DATA		
	BEARING	DISTANCE
2	N83°54'54"E	302.75'
3	S84°14'45"E	468.71'

CURVE DATA				
	R	Δ	T	L
2	7010.00'	11°50'22"	726.85'	1448.51'
3	4500.00'	5°48'55"	228.56'	456.72'



REV	DATE	BY	CHK	APP	DESCRIPTION

DESIGNED BY  
J.C. ALAMILLA  
DRAWN BY  
A. SANZ  
CHECKED BY  
W. GUO  
IN CHARGE  
A. RELANO  
DATE  
04/30/2021

**PEPD RECORD SET  
REV 02  
NOT FOR  
CONSTRUCTION**



**CALIFORNIA HIGH-SPEED RAIL PROJECT  
PALMDALE TO BURBANK**  
ALIGNMENT "E2"  
GRADE SEPARATION PLAN  
EAST AVENUE S  
SHEET 2 OF 3

CONTRACT NO.  
HSR14-42  
DRAWING NO.  
CV-T4008-E2  
SCALE  
AS SHOWN  
SHEET NO.

ct:\pwworkingdir\sener-us-pw.bentley.com\_sener-us-pw-01\dalio.cordoba\dms24260\VB-CV-T4009-E2.dgn

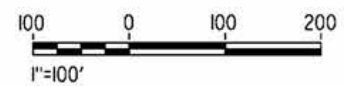
4/29/2021 9:56:33 PM

cordo



LINE DATA	
BEARING	DISTANCE
⑦ N89°56'21"E	747.04'

CURVE DATA			
R	Δ	T	L
③ 4500.00'	5°48'55"	228.56'	456.72'



REV	DATE	BY	CHK	APP	DESCRIPTION

DESIGNED BY  
**J.C. ALAMILLA**  
DRAWN BY  
**A. SANZ**  
CHECKED BY  
**W. GUO**  
IN CHARGE  
**A. RELANO**  
DATE  
**04/30/2021**

**PEPD RECORD SET**  
**REV 02**  
**NOT FOR CONSTRUCTION**



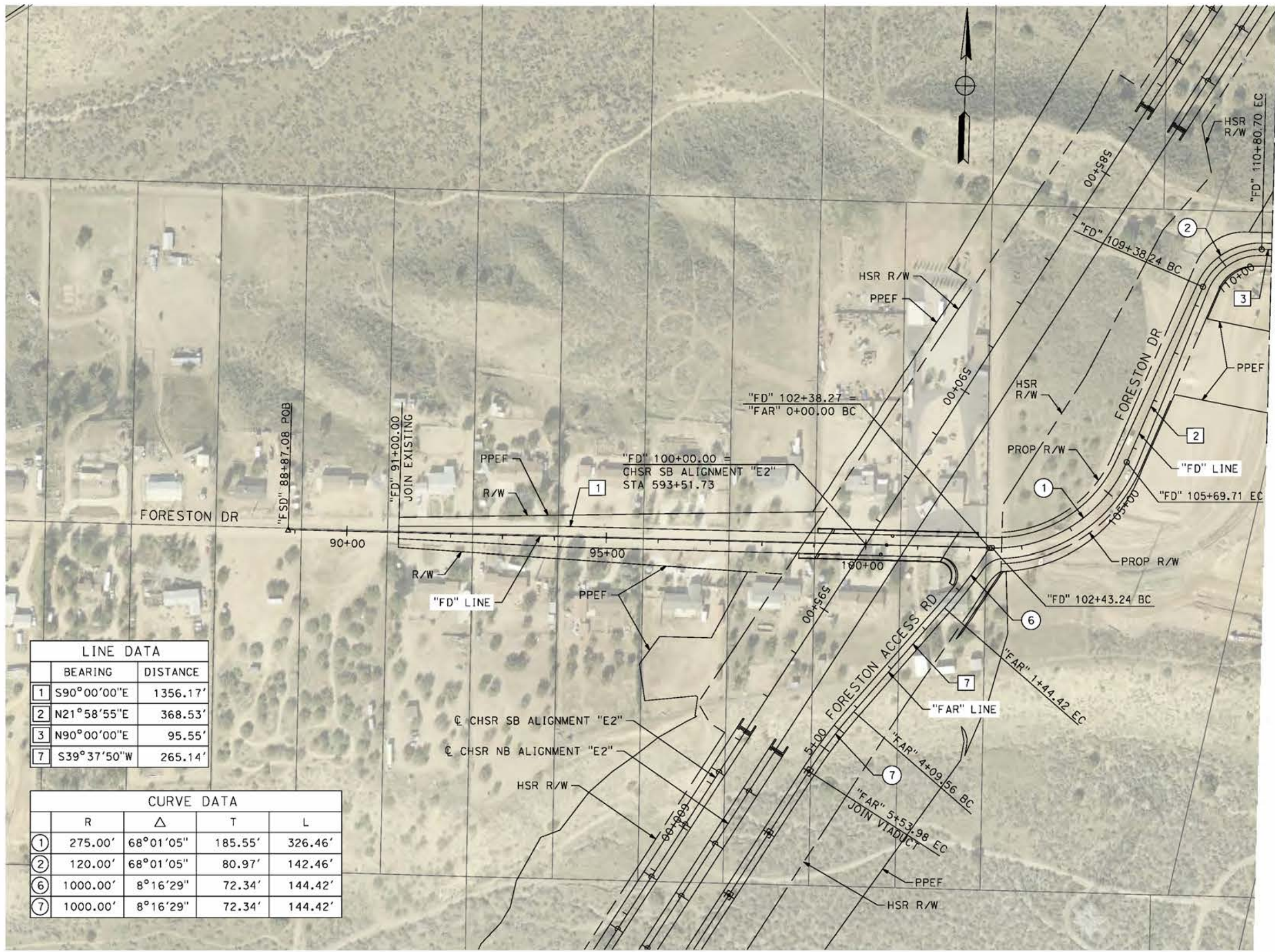
**CALIFORNIA HIGH-SPEED RAIL PROJECT**  
**PALMDALE TO BURBANK**  
ALIGNMENT "E2"  
GRADE SEPARATION PLAN  
EAST AVENUE S  
SHEET 3 OF 3

CONTRACT NO.  
HSR14-42  
DRAWING NO.  
CV-T4009-E2  
SCALE  
AS SHOWN  
SHEET NO.

c:\pwworkingdir\sener-us-pw-bentley.com\_sener-us-pw-01\dalio.cordoba\dms24260\PB-CV-T4015-E2.dgn

5/24/2021 4:55:57 PM

cordo



LINE DATA		
	BEARING	DISTANCE
1	S90°00'00"E	1356.17'
2	N21°58'55"E	368.53'
3	N90°00'00"E	95.55'
7	S39°37'50"W	265.14'

CURVE DATA				
	R	Δ	T	L
1	275.00'	68°01'05"	185.55'	326.46'
2	120.00'	68°01'05"	80.97'	142.46'
6	1000.00'	8°16'29"	72.34'	144.42'
7	1000.00'	8°16'29"	72.34'	144.42'



REV	DATE	BY	CHK	APP	DESCRIPTION

DESIGNED BY  
J.C. ALAMILLA  
DRAWN BY  
A. SANZ  
CHECKED BY  
W. GUO  
IN CHARGE  
A. RELANO  
DATE  
04/30/2021

**PEPD RECORD SET**  
**REV 02**  
**NOT FOR CONSTRUCTION**



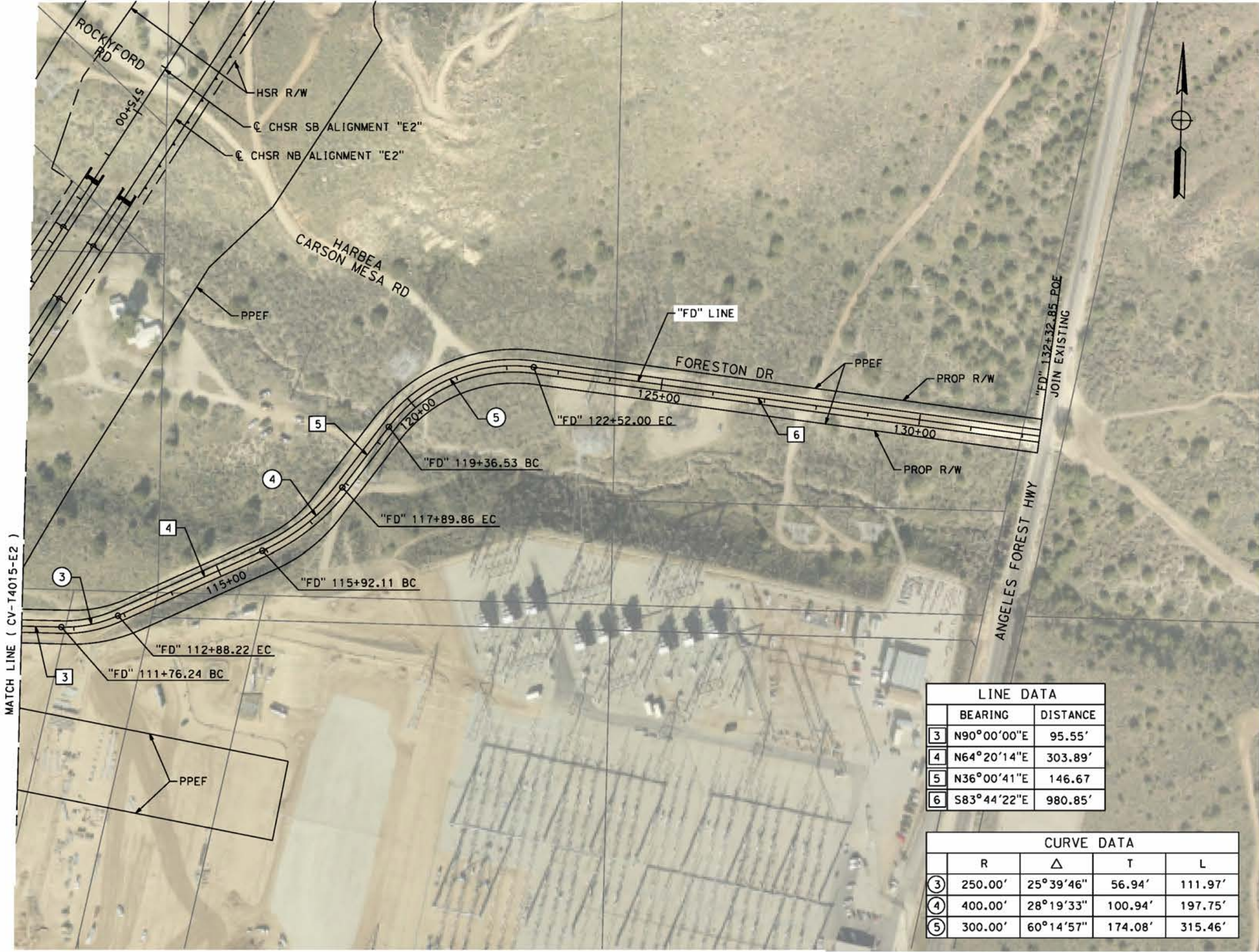
**CALIFORNIA HIGH-SPEED RAIL PROJECT**  
**PALMDALE TO BURBANK**  
ALIGNMENT "E2"  
GRADE SEPARATION PLAN  
FORESTON DRIVE AND FORESTON ACCESS ROAD

CONTRACT NO.  
HSR14-42  
DRAWING NO.  
CV-T4015-E2  
SCALE  
AS SHOWN  
SHEET NO.

ct:\pwworkingdir\sener-us-pw-bentley.com\_sener-us-pw-01\dalio.corcoba\dms24260\VPB-CV-T4016-E2.dgn

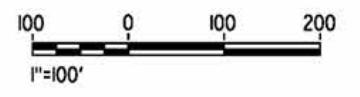
7/22/2021 12:48:55 AM

cordo



LINE DATA	
BEARING	DISTANCE
3	N90°00'00"E 95.55'
4	N64°20'14"E 303.89'
5	N36°00'41"E 146.67'
6	S83°44'22"E 980.85'

CURVE DATA				
	R	Δ	T	L
3	250.00'	25°39'46"	56.94'	111.97'
4	400.00'	28°19'33"	100.94'	197.75'
5	300.00'	60°14'57"	174.08'	315.46'



REV	DATE	BY	CHK	APP	DESCRIPTION

DESIGNED BY  
J.C. ALAMILLA  
DRAWN BY  
A. SANZ  
CHECKED BY  
W. GUO  
IN CHARGE  
A. RELANO  
DATE  
04/30/2021

**PEPD RECORD SET  
REV 02  
NOT FOR  
CONSTRUCTION**



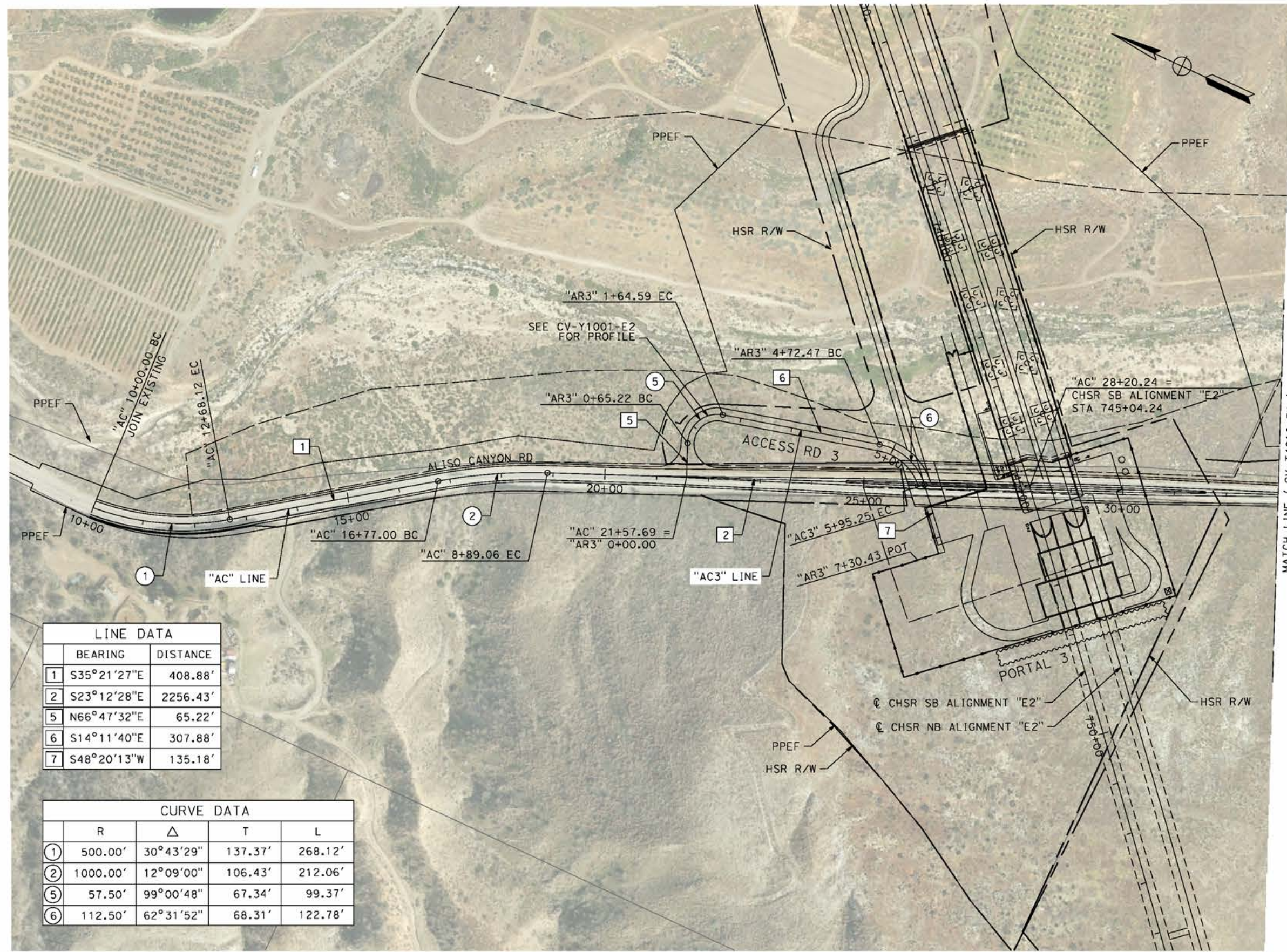
**CALIFORNIA HIGH-SPEED RAIL PROJECT  
PALMDALE TO BURBANK**  
ALIGNMENT "E2"  
GRADE SEPARATION PLAN  
FORESTON DRIVE

CONTRACT NO.  
HSR14-42  
DRAWING NO.  
CV-T4016-E2  
SCALE  
AS SHOWN  
SHEET NO.

ct:\pwworkingdir\sener-us-pw-bentley.com\_sener-us-pw-01\dalio.cordoba\dms24260\VB-CV-T4017-E2.dgn

5/27/2021 8:00:59 AM

cordo



LINE DATA	
BEARING	DISTANCE
1 S35°21'27"E	408.88'
2 S23°12'28"E	2256.43'
5 N66°47'32"E	65.22'
6 S14°11'40"E	307.88'
7 S48°20'13"W	135.18'

CURVE DATA				
	R	Δ	T	L
1	500.00'	30°43'29"	137.37'	268.12'
2	1000.00'	12°09'00"	106.43'	212.06'
5	57.50'	99°00'48"	67.34'	99.37'
6	112.50'	62°31'52"	68.31'	122.78'



REV	DATE	BY	CHK	APP	DESCRIPTION

DESIGNED BY  
J.C. ALAMILLA  
DRAWN BY  
A. SANZ  
CHECKED BY  
W. GUO  
IN CHARGE  
A. RELANO  
DATE  
04/30/2021

**PEPD RECORD SET  
REV 02  
NOT FOR  
CONSTRUCTION**



**CALIFORNIA HIGH-SPEED RAIL PROJECT  
PALMDALE TO BURBANK**  
ALIGNMENT "E2"  
ROADWAY PLAN  
ALISO CANYON ROAD AND ACCESS ROAD 3  
SHEET 1 OF 2

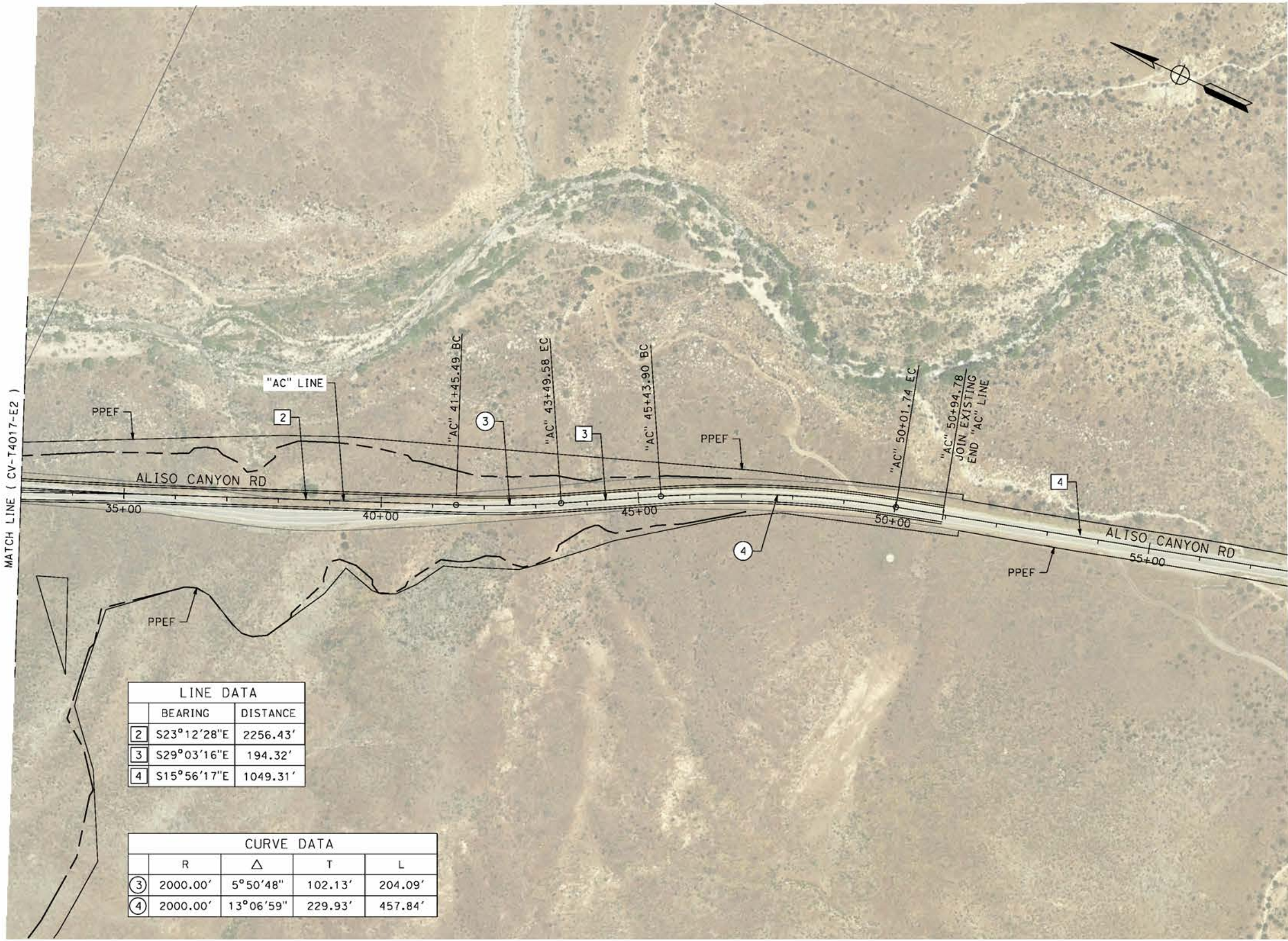
CONTRACT NO.  
HSR14-42  
DRAWING NO.  
CV-T4017-E2  
SCALE  
AS SHOWN  
SHEET NO.



c:\pwworkingdir\sener-us-pw.bentley.com\_sener-us-pw-01\dalio.cordoba\dms24260\PB-CV-T4018-E2.dgn

5/27/2021 5:33:56 PM

cordo



LINE DATA		
	BEARING	DISTANCE
2	S23°12'28"E	2256.43'
3	S29°03'16"E	194.32'
4	S15°56'17"E	1049.31'

CURVE DATA				
	R	Δ	T	L
3	2000.00'	5°50'48"	102.13'	204.09'
4	2000.00'	13°06'59"	229.93'	457.84'



REV	DATE	BY	CHK	APP	DESCRIPTION

DESIGNED BY  
J.C. ALAMILLA  
DRAWN BY  
A. SANZ  
CHECKED BY  
W. GUO  
IN CHARGE  
A. RELANO  
DATE  
04/30/2021

**PEPD RECORD SET  
REV 02  
NOT FOR  
CONSTRUCTION**



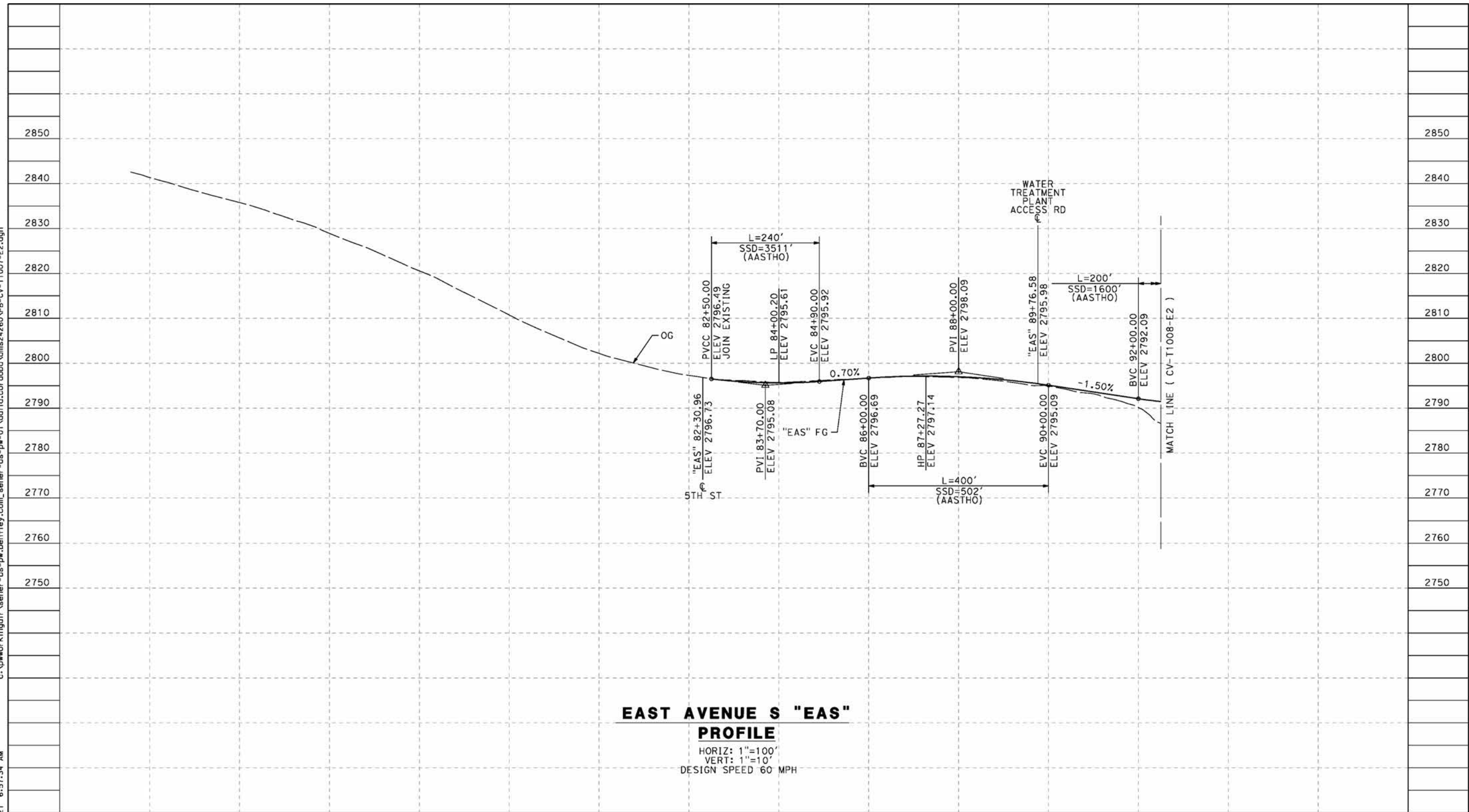
**CALIFORNIA HIGH-SPEED RAIL PROJECT  
PALMDALE TO BURBANK**  
ALIGNMENT "E2"  
ROADWAY PLAN  
ALISO CANYON ROAD  
SHEET 2 OF 2

CONTRACT NO.  
HSR14-42  
DRAWING NO.  
CV-T4018-E2  
SCALE  
AS SHOWN  
SHEET NO.

ct:\pwworkingdir\sener-us-pw-bentley.com\_sener-us-pw-01\dalifa\_cordoba\dms24260\VPB-CV-T1007-E2.dgn

5/24/2021 6:57:34 AM

cordo



**EAST AVENUE S "EAS" PROFILE**

HORIZ: 1"=100'  
 VERT: 1"=10'  
 DESIGN SPEED 60 MPH

STATION	72+00	74+00	76+00	78+00	80+00	82+00	84+00	86+00	88+00	90+00	92+00	94+00	96+00	TOTAL
Exc														
Emb														

REV	DATE	BY	CHK	APP	DESCRIPTION

DESIGNED BY  
J.C. ALAMILLA  
 DRAWN BY  
A. SANZ  
 CHECKED BY  
W. GUO  
 IN CHARGE  
A. RELANO  
 DATE  
04/30/2021

**PEPD RECORD SET  
 REV 02  
 NOT FOR  
 CONSTRUCTION**



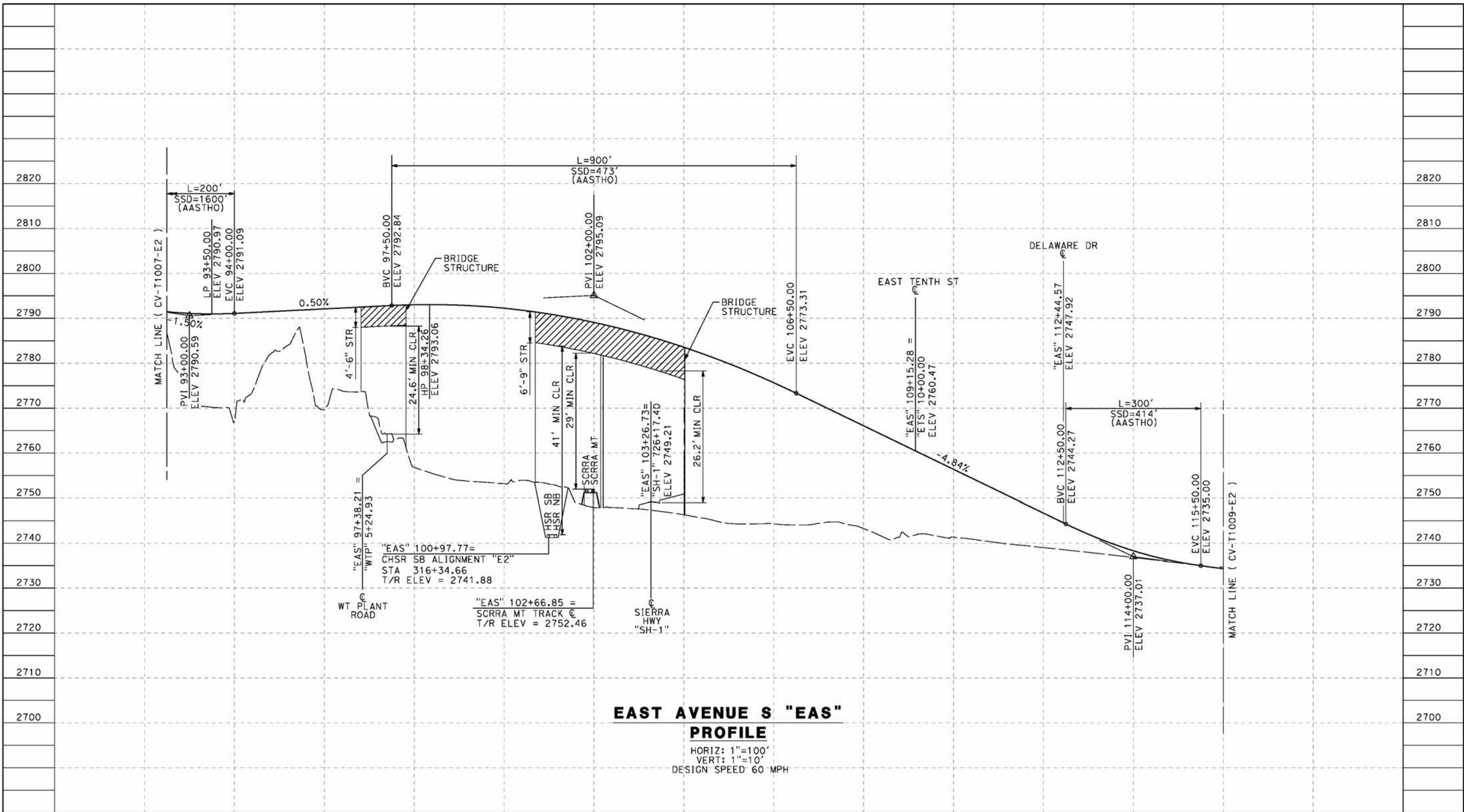
**CALIFORNIA HIGH-SPEED RAIL PROJECT  
 PALMDALE TO BURBANK**  
 ALIGNMENT "E2"  
 GRADE SEPARATION PROFILE  
 EAST AVENUE S  
 SHEET 1 OF 3

CONTRACT NO.  
HSR14-42  
 DRAWING NO.  
CV-T1007-E2  
 SCALE  
AS SHOWN  
 SHEET NO.

c:\pwworkingdir\sener-us-pw-bentley.com\_sener-us-pw-01\dalifa.cordoba\dms24260\VPB-CV-T1008-E2.dgn

5/27/2021 6:21:45 PM

cordo



**EAST AVENUE S "EAS"**  
**PROFILE**

HORIZ: 1"=100'  
VERT: 1"=10'  
DESIGN SPEED 60 MPH

STATION	92+00	94+00	96+00	98+00	100+00	102+00	104+00	106+00	108+00	110+00	112+00	114+00	116+00	118+00	2690	TOTAL
Exc																
Emb																
CY	2670															

REV	DATE	BY	CHK	APP	DESCRIPTION

DESIGNED BY  
J.C. ALAMILLA  
DRAWN BY  
A. SANZ  
CHECKED BY  
W. GUO  
IN CHARGE  
A. RELANO  
DATE  
04/30/2021

**PEPD RECORD SET**  
**REV 02**  
**NOT FOR**  
**CONSTRUCTION**

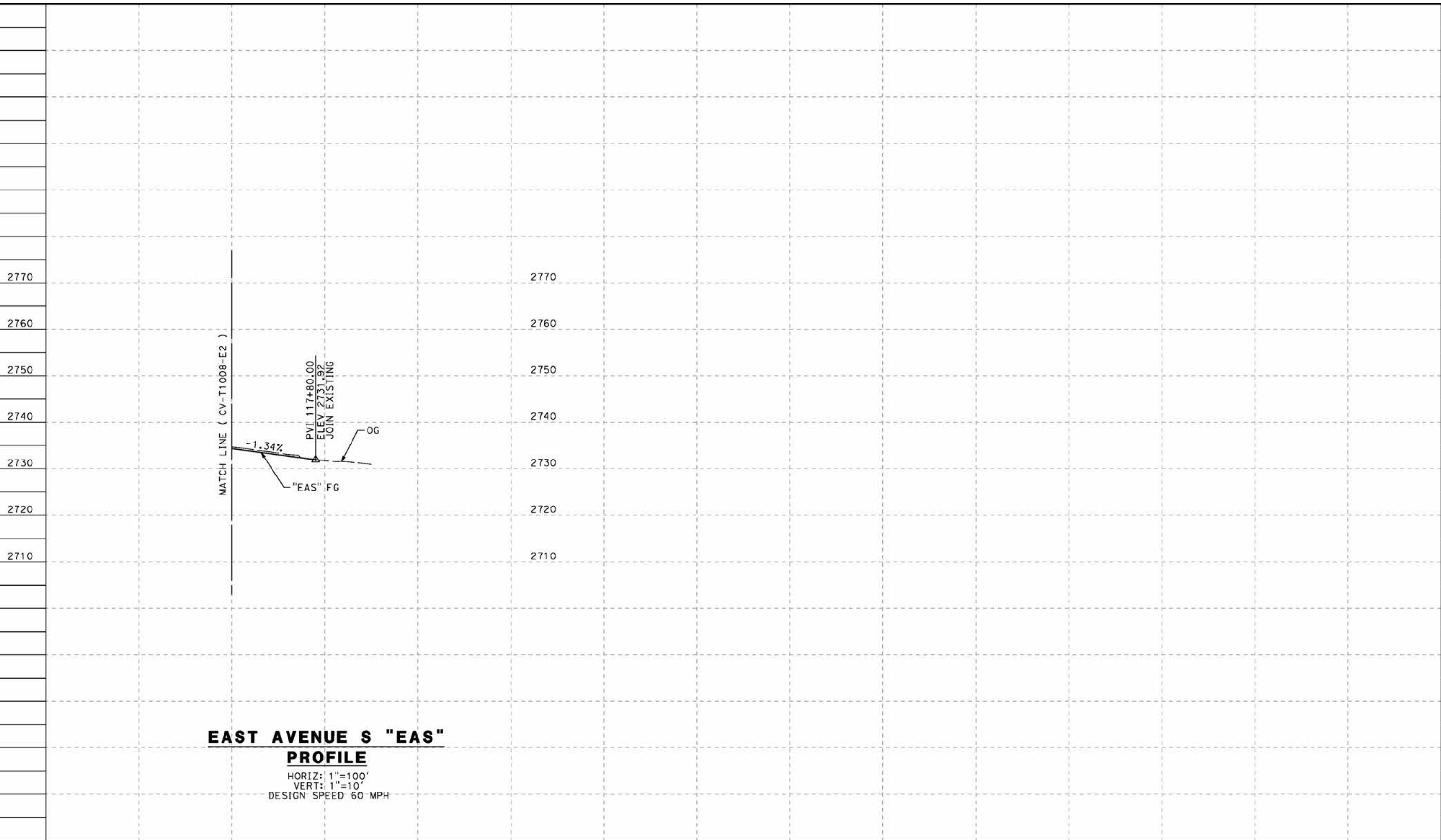


<b>CALIFORNIA HIGH-SPEED RAIL PROJECT</b> <b>PALMDALE TO BURBANK</b> ALIGNMENT "E2" GRADE SEPARATION PROFILE EAST AVENUE S SHEET 2 OF 3		CONTRACT NO. HSR14-42 DRAWING NO. CV-T1008-E2 SCALE AS SHOWN SHEET NO.
--	--	--

c:\pwworkingdir\sener-us-pw-bentley.com\_sener-us-pw-01\do\fa\cordoba\dms24260VPB-CV-T1009-E2.dgn

5/24/2021 7:03:21 AM

cordo



**EAST AVENUE S "EAS"**  
**PROFILE**  
 HORIZ: 1"=100'  
 VERT: 1"=10'  
 DESIGN SPEED 60 MPH

STATION	116+00	118+00	TOTAL
Exc			
Emb			

DESIGNED BY  
J.C. ALAMILLA  
 DRAWN BY  
A. SANZ  
 CHECKED BY  
W. GUO  
 IN CHARGE  
A. RELANO  
 DATE

**PEPD RECORD SET**  
 REV 02  
**NOT FOR CONSTRUCTION**



**CALIFORNIA HIGH-SPEED RAIL PROJECT**  
**PALMDALE TO BURBANK**  
 ALIGNMENT "E2"  
 GRADE SEPARATION PROFILE  
 EAST AVENUE S  
 SHEET 3 OF 3

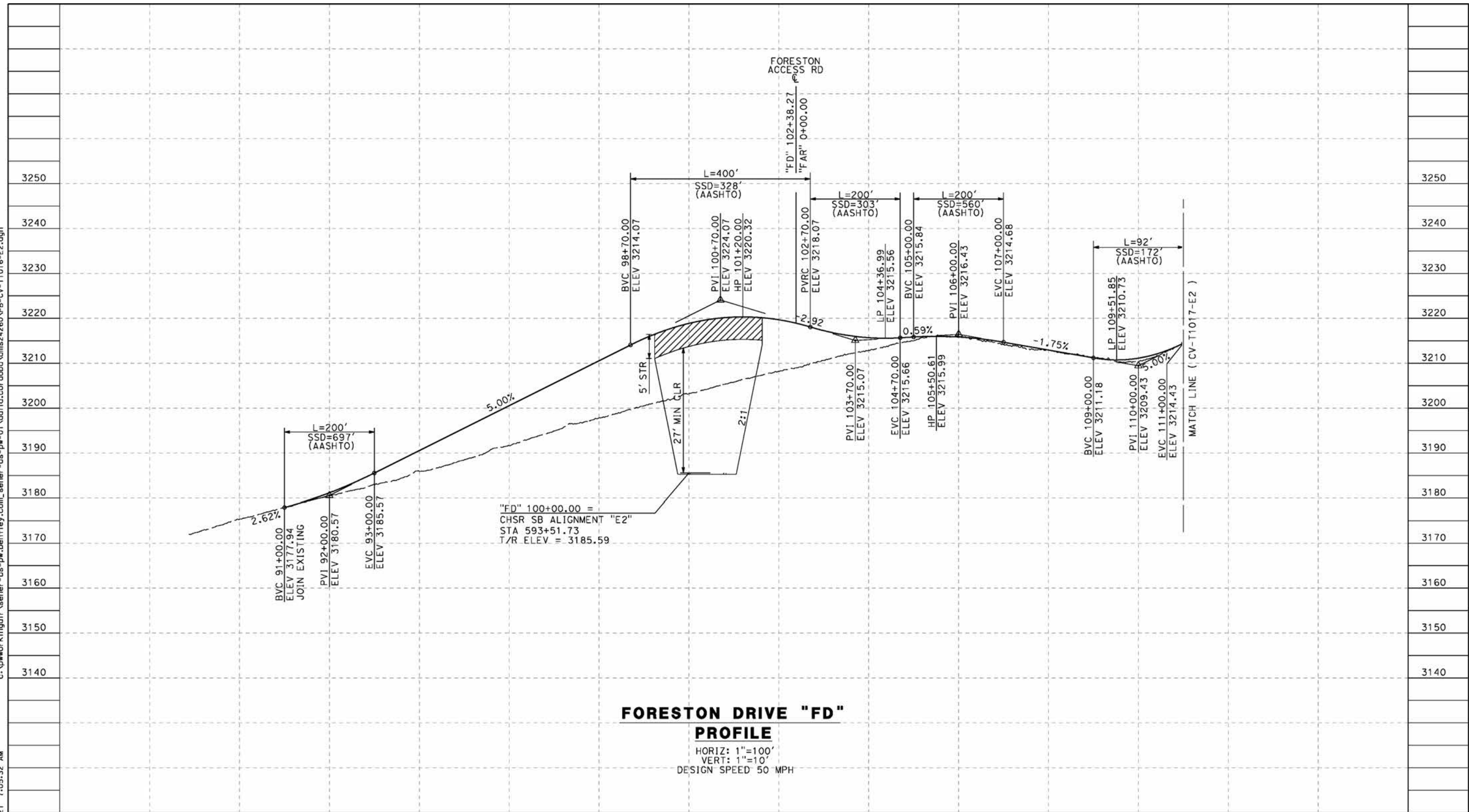
CONTRACT NO.  
HSR14-42  
 DRAWING NO.  
CV-T1009-E2  
 SCALE  
AS SHOWN  
 SHEET NO.

REV	DATE	BY	CHK	APP	DESCRIPTION

ct:\pwworkingdir\sener-us-pw-bentley.com\_sener-us-pw-01\dalifa.cordoba\dms24260\PB-CV-T1016-E2.dgn

5/24/2021 7:05:32 AM

cordo



STATION	88+00	90+00	92+00	94+00	96+00	98+00	100+00	102+00	104+00	106+00	108+00	110+00	112+00	TOTAL
Exc														
Emb														

REV	DATE	BY	CHK	APP	DESCRIPTION

DESIGNED BY  
J.C. ALAMILLA  
 DRAWN BY  
A. SANZ  
 CHECKED BY  
W. GUO  
 IN CHARGE  
A. RELANO  
 DATE  
04/30/2021

**PEPD RECORD SET  
REV 02**  
  
**NOT FOR  
CONSTRUCTION**



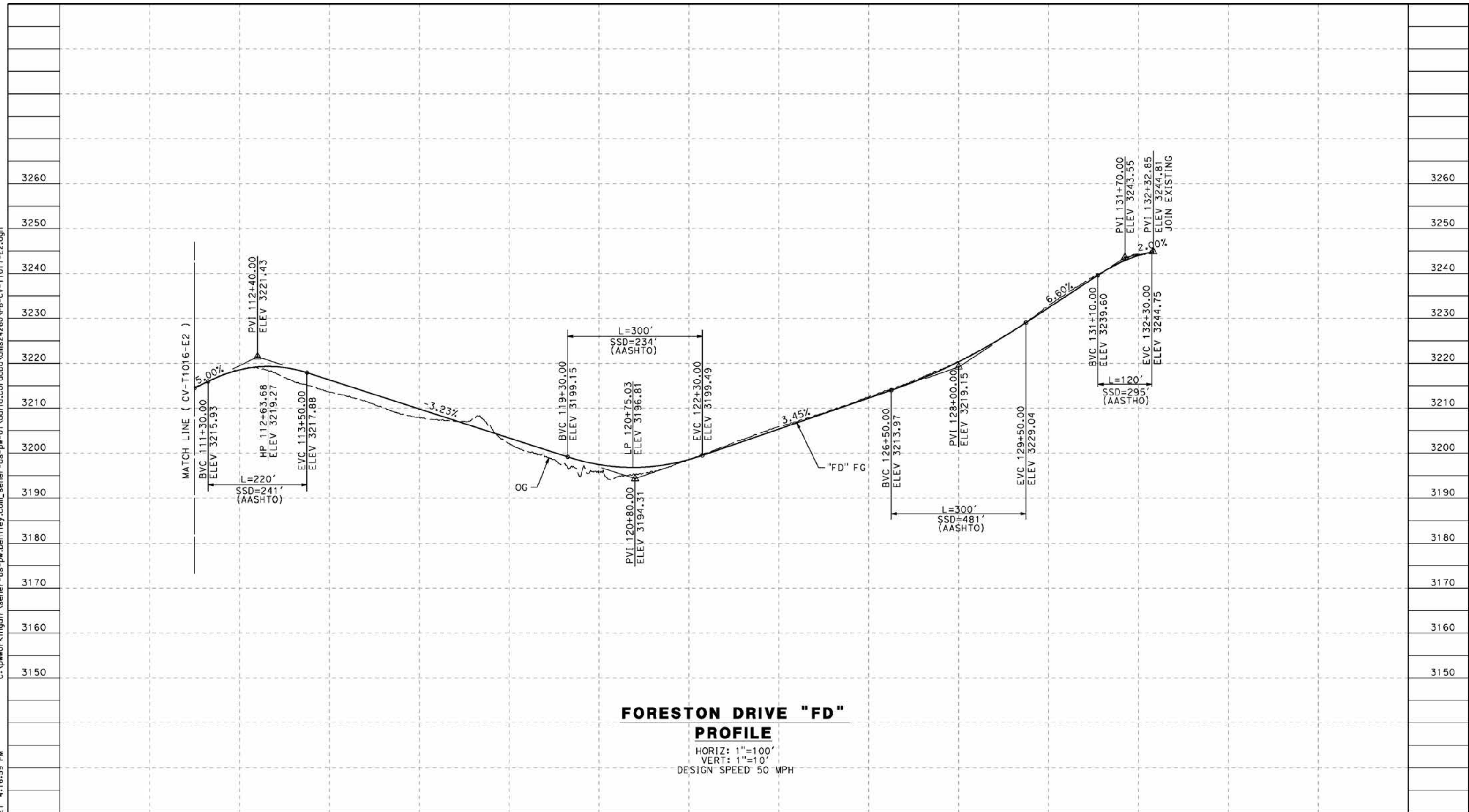
**CALIFORNIA HIGH-SPEED RAIL PROJECT  
PALMDALE TO BURBANK**  
 ALIGNMENT "E2"  
 GRADE SEPARATION PROFILE  
 FORESTON DRIVE  
 SHEET 1 OF 2

CONTRACT NO.  
HSR14-42  
 DRAWING NO.  
CV-T1016-E2  
 SCALE  
AS SHOWN  
 SHEET NO.

c:\pwworkingdir\sener-us-pw-bentley.com\_sener-us-pw-01\dalifa.cordoba\dms24260VPB-CV-T1017-E2.dgn

5/24/2021 4:16:59 PM

cordo



**FORESTON DRIVE "FD"  
PROFILE**

HORIZ: 1"=100'  
VERT: 1"=10'  
DESIGN SPEED 50 MPH

STATION	110+00	112+00	114+00	116+00	118+00	120+00	122+00	124+00	126+00	128+00	130+00	132+00	134+00	TOTAL
Exc														
Emb														

REV	DATE	BY	CHK	APP	DESCRIPTION

DESIGNED BY  
J.C. ALAMILLA  
DRAWN BY  
A. SANZ  
CHECKED BY  
W. GUO  
IN CHARGE  
A. RELANO  
DATE  
04/30/2021

**PEPD RECORD SET  
REV 02  
NOT FOR  
CONSTRUCTION**



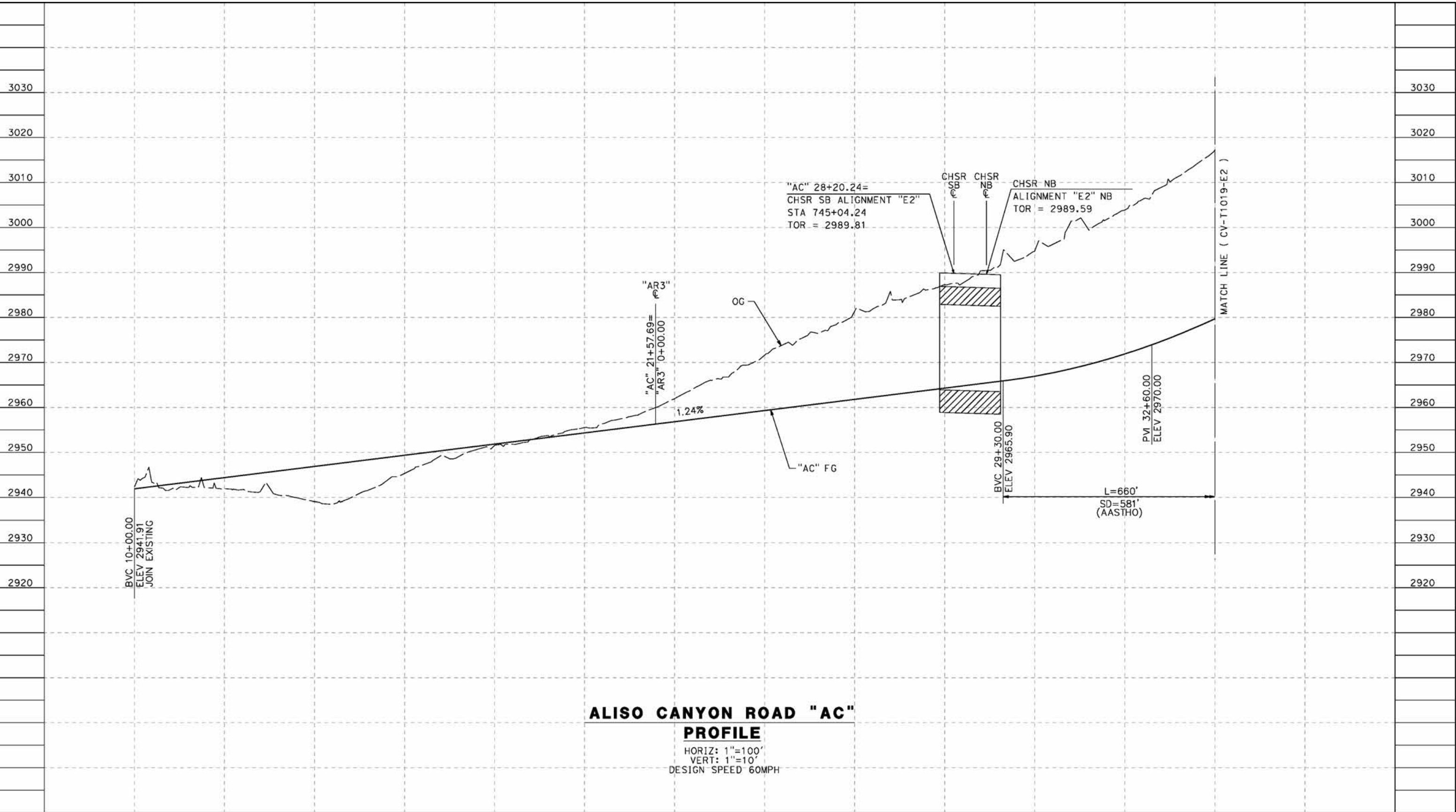
**CALIFORNIA HIGH-SPEED RAIL PROJECT  
PALMDALE TO BURBANK**  
ALIGNMENT "E2"  
GRADE SEPARATION PROFILE  
FORESTON DRIVE  
SHEET 2 OF 2

CONTRACT NO.  
HSR14-42  
DRAWING NO.  
CV-T1017-E2  
SCALE  
AS SHOWN  
SHEET NO.

ct:\pwworkingdir\sener-us-pw-bentley.com\_sener-us-pw-01\doifa.cordoba\dms24260VPB-CV-T1018-E2.dgn

5/27/2021 7:02:55 AM

cordo



**ALISO CANYON ROAD "AC" PROFILE**

HORIZ: 1"=100'  
 VERT: 1"=10'  
 DESIGN SPEED 60MPH

STATION	10+00	12+00	14+00	16+00	18+00	20+00	22+00	24+00	26+00	28+00	30+00	32+00	34+00	TOTAL
Exc														
Emb														

DESIGNED BY  
J.C. ALAMILLA  
 DRAWN BY  
A. SANZ  
 CHECKED BY  
W. GUO  
 IN CHARGE  
A. RELANO  
 DATE  
04/30/2021

**PEPD RECORD SET  
 REV 02  
 NOT FOR  
 CONSTRUCTION**



**CALIFORNIA HIGH-SPEED RAIL PROJECT  
 PALMDALE TO BURBANK**  
 ALIGNMENT "E2"  
 GRADE SEPARATION PROFILE  
 ALISO CANYON ROAD  
 SHEET 1 OF 2

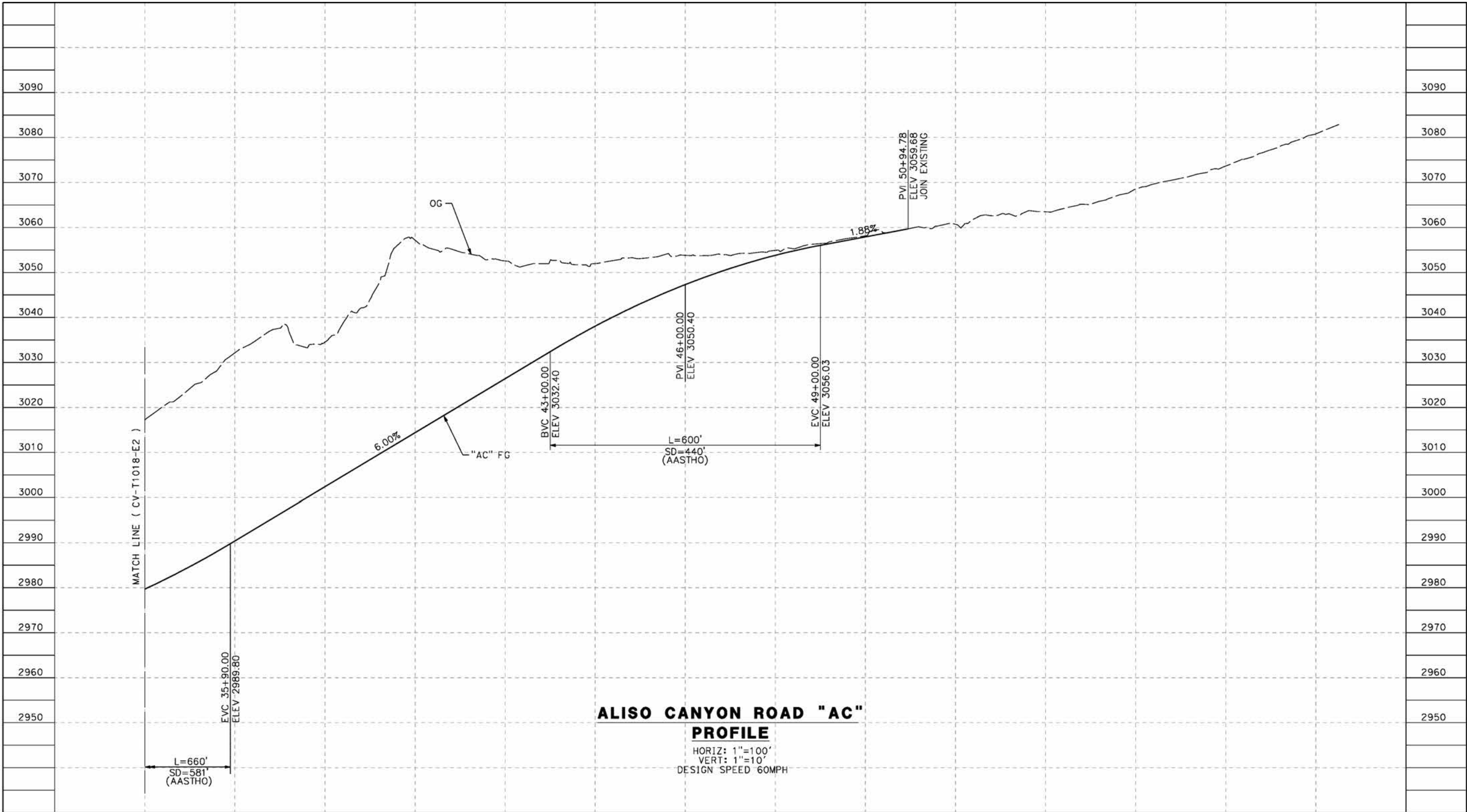
CONTRACT NO.  
HSR14-42  
 DRAWING NO.  
CV-T1018-E2  
 SCALE  
AS SHOWN  
 SHEET NO.

REV	DATE	BY	CHK	APP	DESCRIPTION

ct:\pwworkingdir\sener-us-pw-bentley.com\_sener-us-pw-01\do\fa\_cordoba\dms24260\VPB-CV-T1019-E2.dgn

5/27/2021 7:04:55 AM

cordo



**ALISO CANYON ROAD "AC" PROFILE**

HORIZ: 1"=100'  
 VERT: 1"=10'  
 DESIGN SPEED 60MPH

STATION	34+00	36+00	38+00	40+00	42+00	44+00	46+00	48+00	50+00	52+00	54+00	56+00	58+00	60+00	TOTAL
Exc															
Emb															

REV	DATE	BY	CHK	APP	DESCRIPTION

DESIGNED BY  
J.C. ALAMILLA  
 DRAWN BY  
A. SANZ  
 CHECKED BY  
W. GUO  
 IN CHARGE  
A. RELANO  
 DATE  
04/30/2021

**PEPD RECORD SET  
 REV 02**  
**NOT FOR  
 CONSTRUCTION**



**CALIFORNIA HIGH-SPEED RAIL PROJECT  
 PALMDALE TO BURBANK**  
 ALIGNMENT "E2"  
 GRADE SEPARATION PROFILE  
 ALISO CANYON ROAD  
 SHEET 2 OF 2

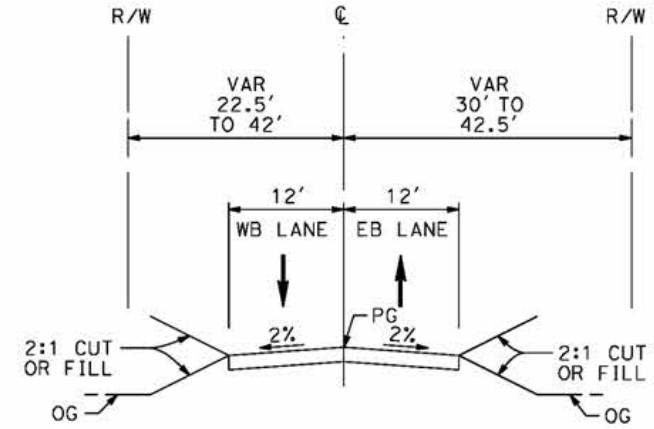
CONTRACT NO.  
HSR14-42  
 DRAWING NO.  
CV-T1019-E2  
 SCALE  
AS SHOWN  
 SHEET NO.



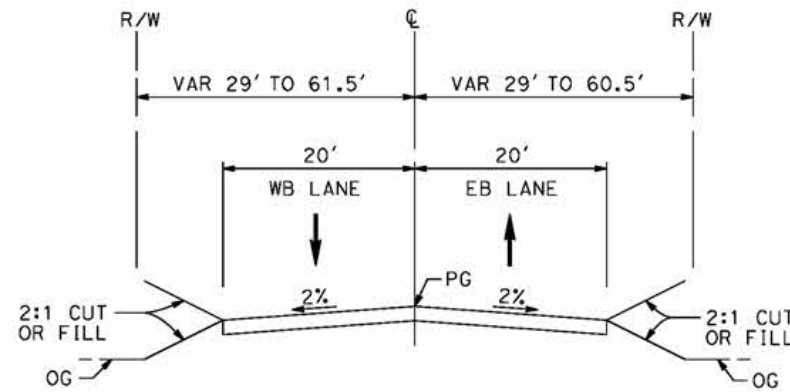
c:\pwworkingdir\sener-us-pw-bentley.com\_sener-us-pw-01\dalila.cordoba\dms24260VPB-CV-T3001-E2.dgn

4/29/2021 11:10:36 PM

cordo



**FORESTON DRIVE**  
 STA 105+64 TO STA 132+32  
 LOCAL ROADWAY  
 PER LOS ANGELES COUNTY MUNICIPAL CODE  
 CHAPTER 21 PARTS 2 AND 3



**FORESTON DRIVE**  
 STA 91+00 TO STA 105+64  
 LOCAL ROADWAY  
 PER LOS ANGELES COUNTY MUNICIPAL CODE  
 CHAPTER 21 PARTS 2 AND 3

REV	DATE	BY	CHK	APP	DESCRIPTION

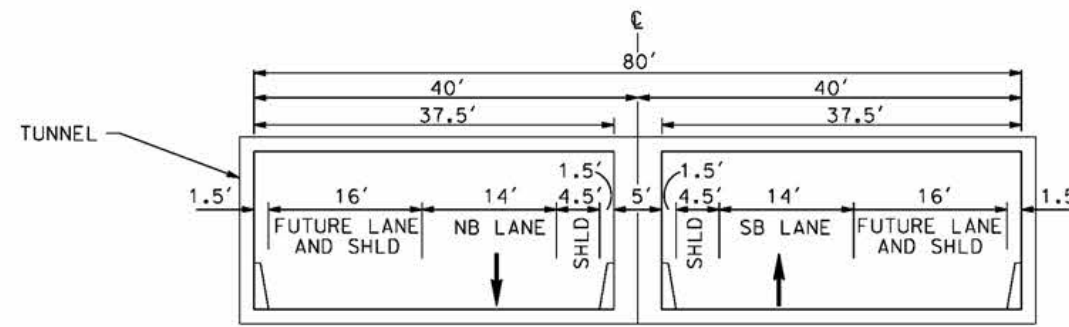
DESIGNED BY  
**J.C. ALAMILLA**  
 DRAWN BY  
**A. SANZ**  
 CHECKED BY  
**W. GUO**  
 IN CHARGE  
**A. RELANO**  
 DATE  
**04/30/2021**

**PEPD RECORD SET**  
 REV 02  
**NOT FOR CONSTRUCTION**

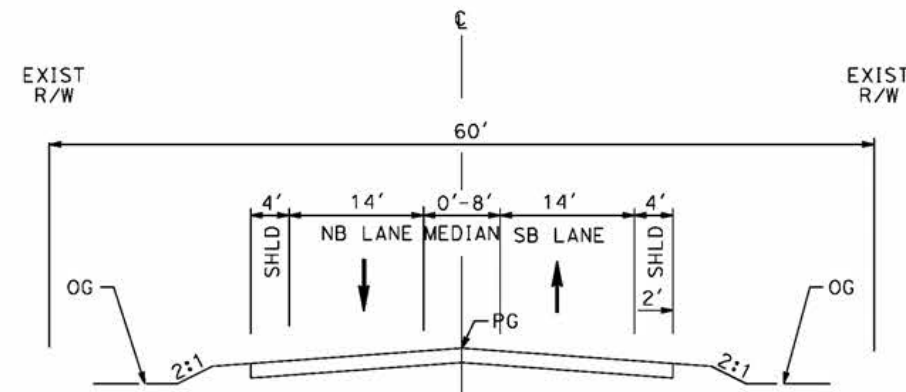


**CALIFORNIA HIGH-SPEED RAIL PROJECT**  
**PALMDALE TO BURBANK**  
 ALIGNMENT "E2"  
 TYPICAL SECTIONS  
 FORESTON DRIVE

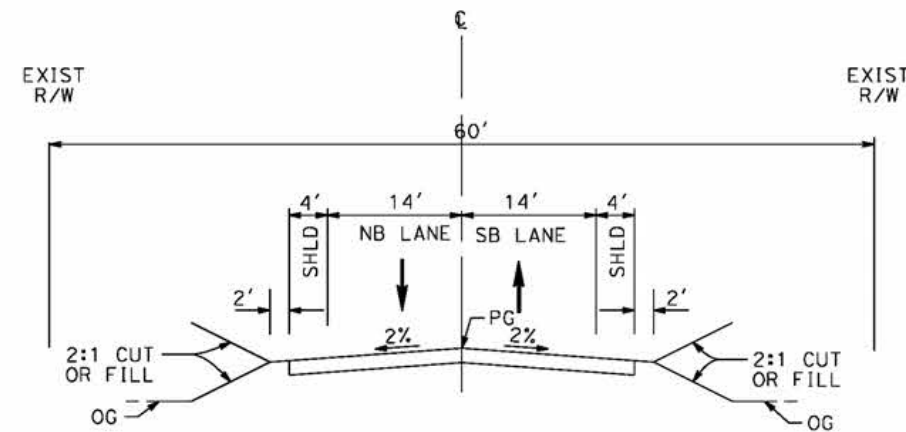
CONTRACT NO.  
 HSR14-42  
 DRAWING NO.  
 CV-T3001-E2  
 SCALE  
 NO SCALE  
 SHEET NO.



**ALISO CANYON ROAD**  
 STA 25+85 TO STA 27+92  
 SECONDARY HIGHWAY  
 PER LOS ANGELES COUNTY MASTER PLAN



**ALISO CANYON ROAD**  
 STA 21+00 TO STA 25+85  
 AND  
 STA 27+92 TO STA 35+41  
 SECONDARY HIGHWAY  
 PER LOS ANGELES COUNTY MASTER PLAN



**ALISO CANYON ROAD**  
 STA 10+00 TO STA 21+00  
 AND  
 STA 35+41 TO STA 51+00  
 SECONDARY HIGHWAY  
 PER LOS ANGELES COUNTY MASTER PLAN

c:\pwworkingdir\sener-us-pw-bentley.com\_sener-us-pw-01\dalila.cordoba\dms24260VPB-CV-T3002-E2.dgn

4/29/2021 11:12:18 PM

cordo

REV	DATE	BY	CHK	APP	DESCRIPTION

DESIGNED BY  
**J.C. ALAMILLA**  
 DRAWN BY  
**A. SANZ**  
 CHECKED BY  
**W. GUO**  
 IN CHARGE  
**A. RELANO**  
 DATE  
**04/30/2021**

**PEPD RECORD SET**  
 REV 02  
**NOT FOR CONSTRUCTION**



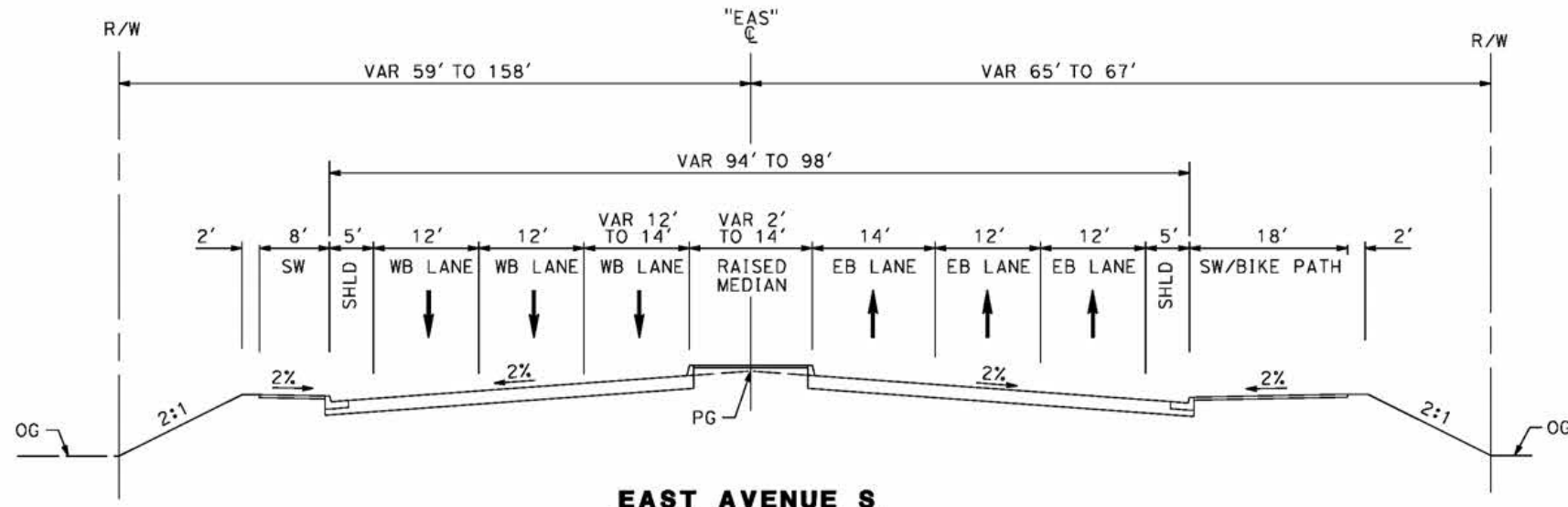
**CALIFORNIA HIGH-SPEED RAIL PROJECT**  
**PALMDALE TO BURBANK**  
 ALIGNMENT "E2"  
 TYPICAL SECTIONS  
 ALISO CANYON ROAD

CONTRACT NO.  
 HSR14-42  
 DRAWING NO.  
 CV-T3002-E2  
 SCALE  
 NO SCALE  
 SHEET NO.

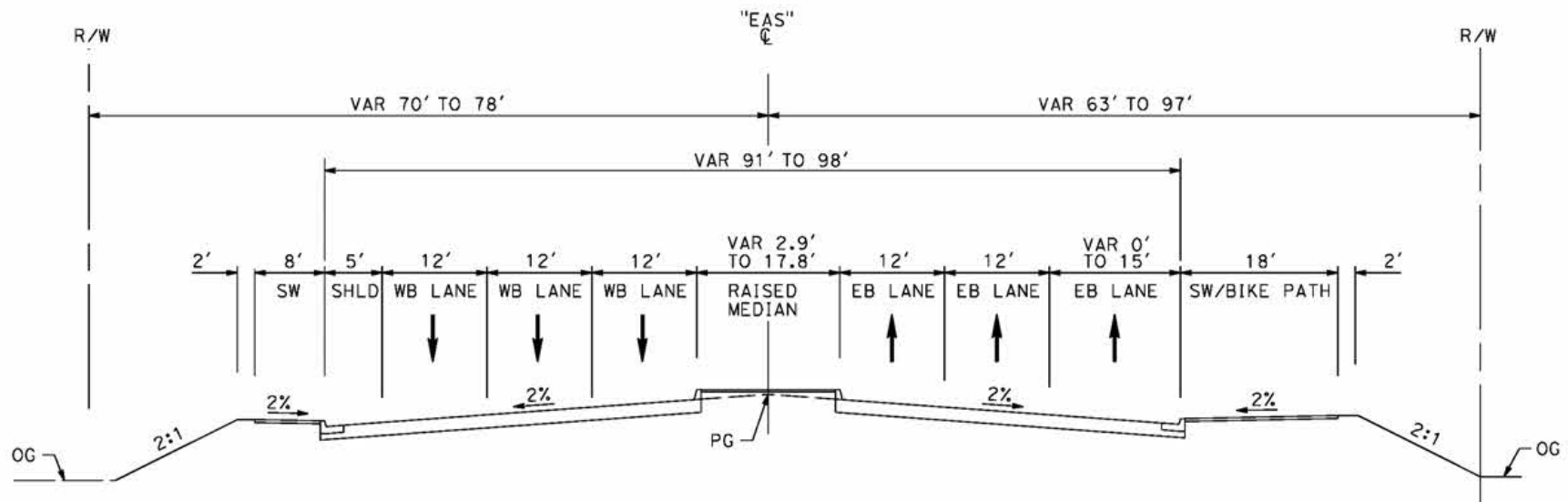
c:\pwworkingdir\sener-us-pw-bentley.com\_sener-us-pw-01\dalila.cordoba\dms24260\PB-CV-T3003-E2.dgn

4/29/2021 11:17:47 PM

cordo



**EAST AVENUE S**  
 STA 90+00 TO STA 100+00  
 MAJOR ARTERIAL  
 PER CITY OF PALMDALE GENERAL PLAN



**EAST AVENUE S**  
 STA 83+84 TO STA 90+00  
 MAJOR ARTERIAL  
 PER CITY OF PALMDALE GENERAL PLAN

REV	DATE	BY	CHK	APP	DESCRIPTION

DESIGNED BY  
**J.C. ALAMILLA**  
 DRAWN BY  
**A. SANZ**  
 CHECKED BY  
**W. GUO**  
 IN CHARGE  
**A. RELANO**  
 DATE  
**04/30/2021**

**PEPD RECORD SET**  
 REV 02  
**NOT FOR CONSTRUCTION**



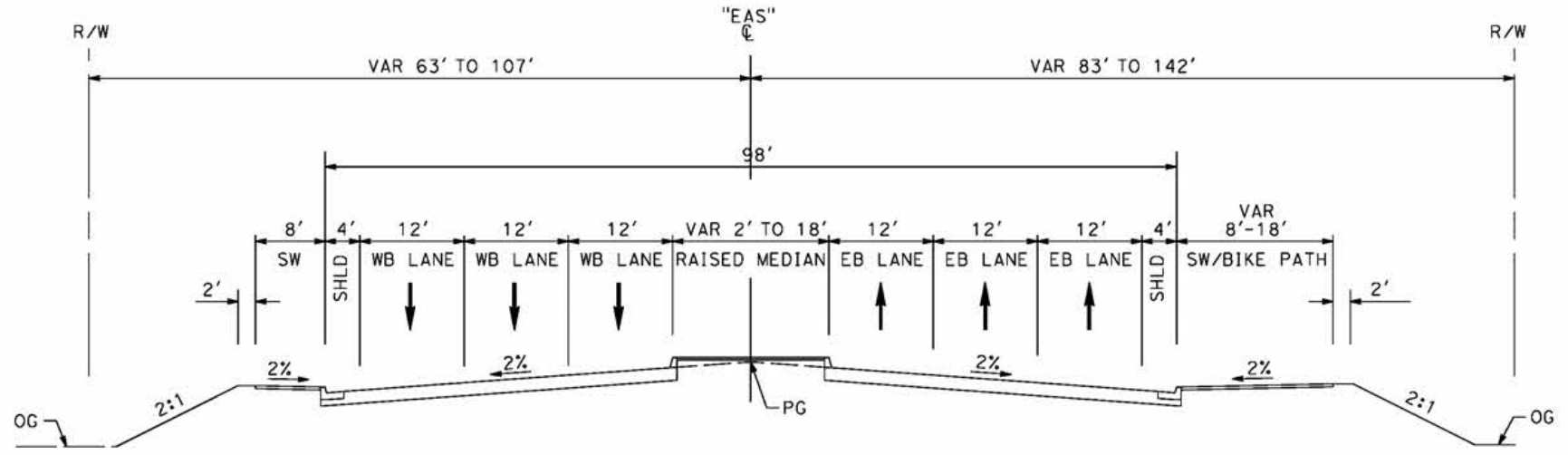
**CALIFORNIA HIGH-SPEED RAIL PROJECT**  
**PALMDALE TO BURBANK**  
 ALIGNMENT "E2"  
 TYPICAL SECTIONS  
 EAST AVENUE S  
 SHEET 1 OF 2

CONTRACT NO.  
HSR14-42  
 DRAWING NO.  
CV-T3003-E2  
 SCALE  
NO SCALE  
 SHEET NO.

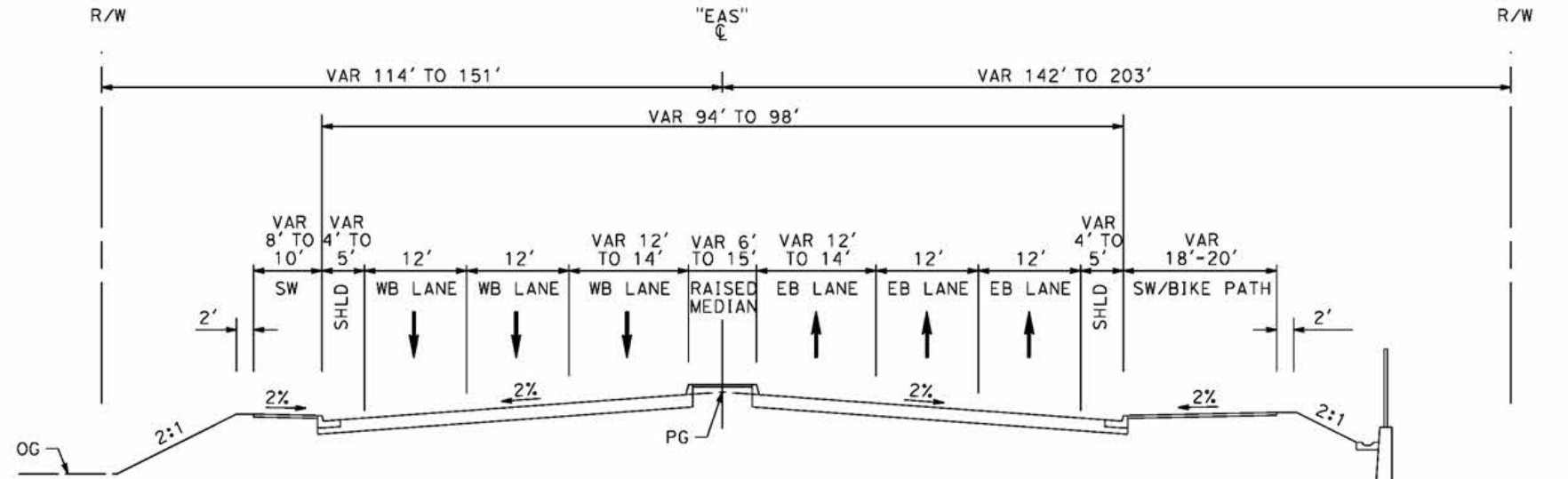
ct:\pwworkingdir\sener-us-pw-bentley.com\_sener-us-pw-01\dalila.cordoba\dms24260\PB-CV-T3004-E2.dgn

4/29/2021 11:19:32 PM

cordo



**EAST AVENUE S**  
 STA 109+12 TO STA 117+80  
 MAJOR ARTERIAL  
 PER CITY OF PALMDALE GENERAL PLAN



**EAST AVENUE S**  
 STA 104+00 TO STA 109+12  
 MAJOR ARTERIAL  
 PER CITY OF PALMDALE GENERAL PLAN

REV	DATE	BY	CHK	APP	DESCRIPTION

DESIGNED BY  
**J.C. ALAMILLA**  
 DRAWN BY  
**A. SANZ**  
 CHECKED BY  
**W. GUO**  
 IN CHARGE  
**A. RELANO**  
 DATE  
**04/30/2021**

**PEPD RECORD SET**  
 REV 02  
**NOT FOR CONSTRUCTION**



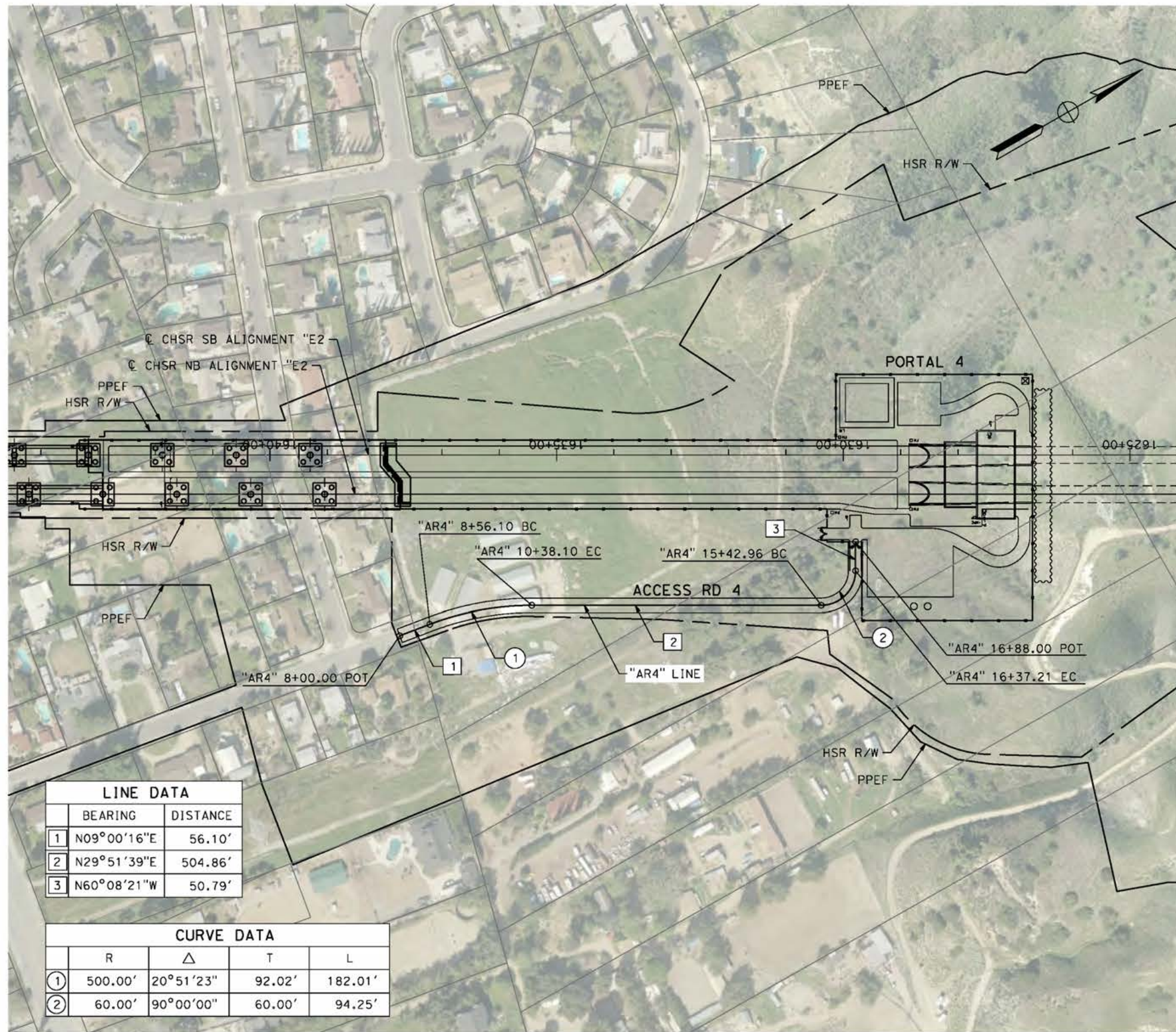
**CALIFORNIA HIGH-SPEED RAIL PROJECT**  
**PALMDALE TO BURBANK**  
 ALIGNMENT "E2"  
 TYPICAL SECTIONS  
 EAST AVENUE S  
 SHEET 2 OF 2

CONTRACT NO.  
 HSR14-42  
 DRAWING NO.  
 CV-T3004-E2  
 SCALE  
 NO SCALE  
 SHEET NO.

c:\pwworkingdir\sener-us-pw-bentley.com\_sener-us-pw-01\dalio.coroba\dms24260\PB-CV-Y4001-E2.dgn

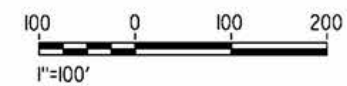
4/29/2021 11:22:01 PM

cordo



LINE DATA		
	BEARING	DISTANCE
1	N09°00'16"E	56.10'
2	N29°51'39"E	504.86'
3	N60°08'21"W	50.79'

CURVE DATA				
	R	Δ	T	L
①	500.00'	20°51'23"	92.02'	182.01'
②	60.00'	90°00'00"	60.00'	94.25'



REV	DATE	BY	CHK	APP	DESCRIPTION

DESIGNED BY  
**J.C. ALAMILLA**  
DRAWN BY  
**A. SANZ**  
CHECKED BY  
**W. GUO**  
IN CHARGE  
**A. RELANO**  
DATE  
**04/30/2021**

**PEPD RECORD SET  
REV 02  
NOT FOR  
CONSTRUCTION**



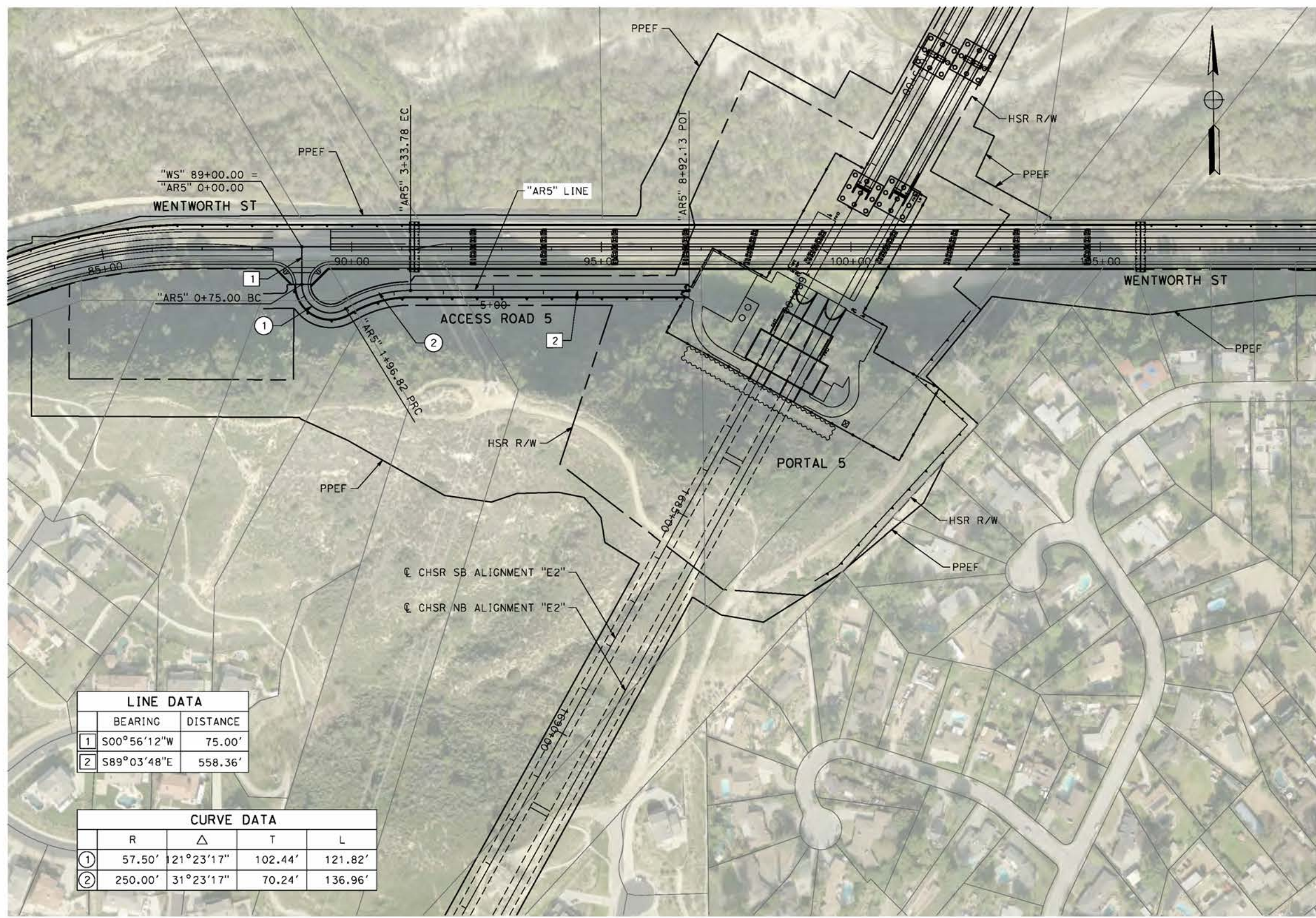
**CALIFORNIA HIGH-SPEED RAIL PROJECT  
PALMDALE TO BURBANK**  
ALIGNMENT "E2"  
ACCESS ROAD PLAN  
ACCESS ROAD 4

CONTRACT NO.  
HSR14-42  
DRAWING NO.  
CV-Y4001-E2  
SCALE  
AS SHOWN  
SHEET NO.

ct:\pwworkingdir\sener-us-pw-bentley.com\_sener-us-pw-01\dalio.cordoba\dms24260\VB-CV-Y4002-E2.dgn

4/29/2021 11:25:06 PM

cordo



LINE DATA		
	BEARING	DISTANCE
1	S00°56'12"W	75.00'
2	S89°03'48"E	558.36'

CURVE DATA				
	R	Δ	T	L
1	57.50'	21°23'17"	102.44'	121.82'
2	250.00'	31°23'17"	70.24'	136.96'



REV	DATE	BY	CHK	APP	DESCRIPTION

DESIGNED BY  
**J.C. ALAMILLA**  
DRAWN BY  
**A. SANZ**  
CHECKED BY  
**W. GUO**  
IN CHARGE  
**A. RELANO**  
DATE  
**04/30/2021**

**PEPD RECORD SET**  
**REV 02**  
**NOT FOR CONSTRUCTION**



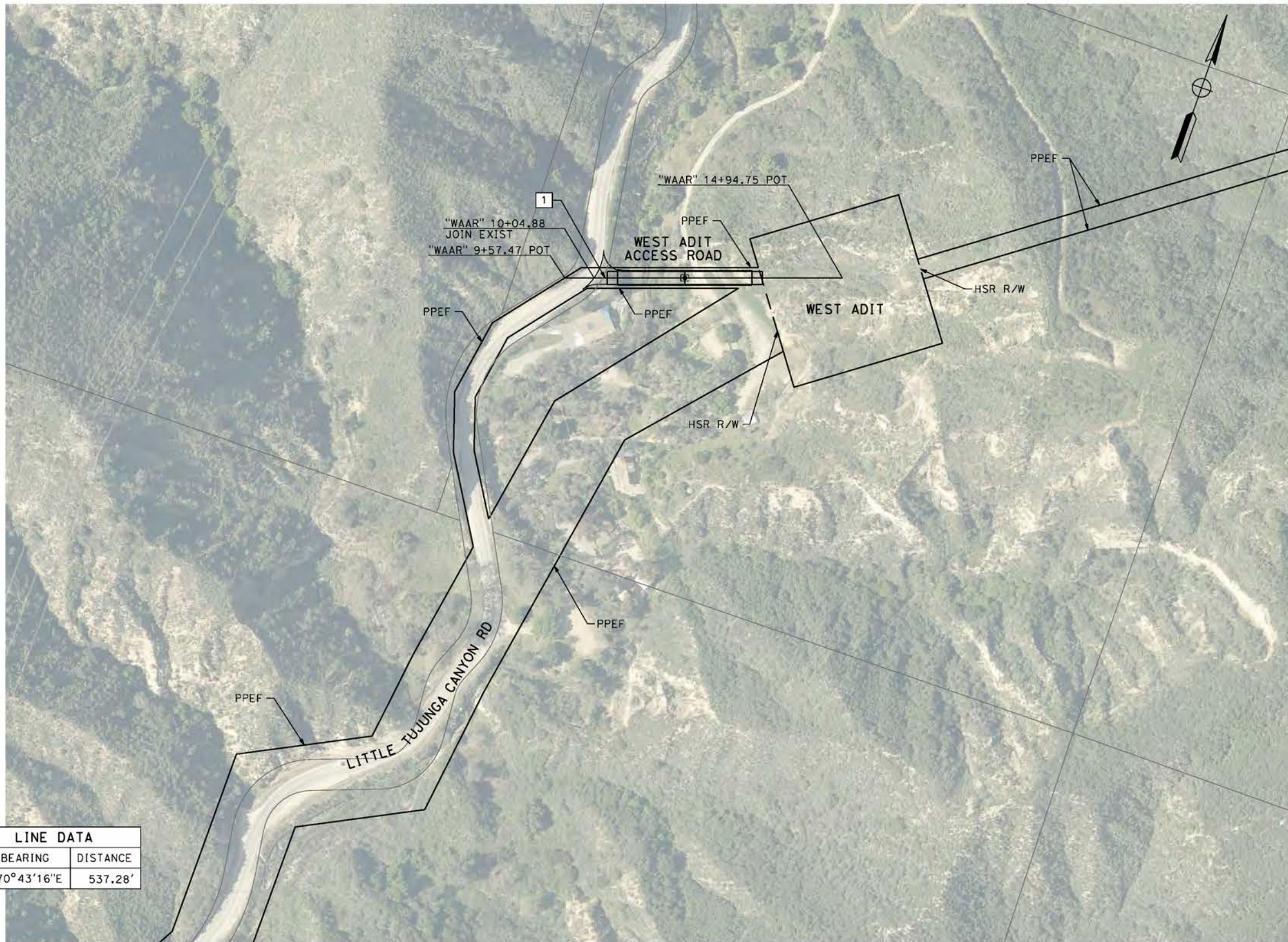
**CALIFORNIA HIGH-SPEED RAIL PROJECT**  
**PALMDALE TO BURBANK**  
ALIGNMENT "E2"  
ACCESS ROAD PLAN  
ACCESS ROAD 5

CONTRACT NO.  
HSR14-42  
DRAWING NO.  
CV-Y4002-E2  
SCALE  
AS SHOWN  
SHEET NO.

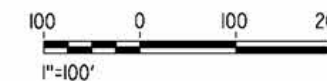
c:\pwworkingdir\sener-us-pw-bentley.com\_sener-us-pw-01\dalio.cordoba\dms24260\PB-CV-Y4003-E2.dgn

4/29/2021 11:28:17 PM

cordo



LINE DATA		
	BEARING	DISTANCE
1	N70°43'16"E	537.28'



REV	DATE	BY	CHK	APP	DESCRIPTION

DESIGNED BY  
**J.C. ALAMILLA**  
DRAWN BY  
**A. SANZ**  
CHECKED BY  
**W. GUO**  
IN CHARGE  
**A. RELANO**  
DATE  
**04/30/2021**

**PEPD RECORD SET**  
**REV 02**  
**NOT FOR CONSTRUCTION**



**CALIFORNIA HIGH-SPEED RAIL PROJECT**  
**PALMDALE TO BURBANK**  
ALIGNMENT "E2"  
ACCESS ROAD PLAN  
WEST ADIT ACCESS ROAD

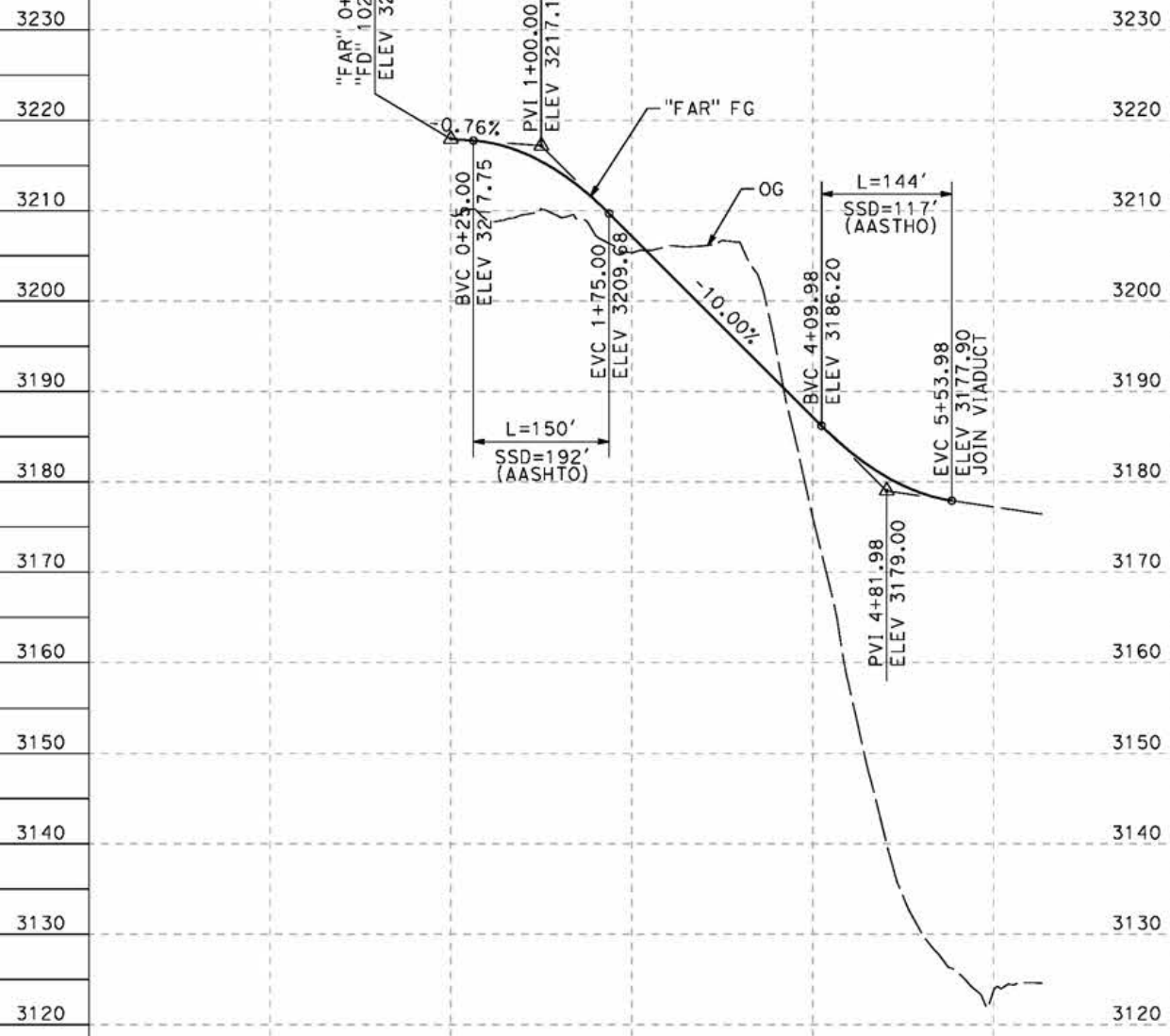
CONTRACT NO.  
HSR14-42  
DRAWING NO.  
CV-Y4003-E2  
SCALE  
AS SHOWN  
SHEET NO.

ct:\pwworkingdir\sener-us-pw-bentley.com\_sener-us-pw-01\do\fa\_cordoba\dms24260\FB-CV-Y1001-E2.dgn

5/24/2021 4:22:10 PM

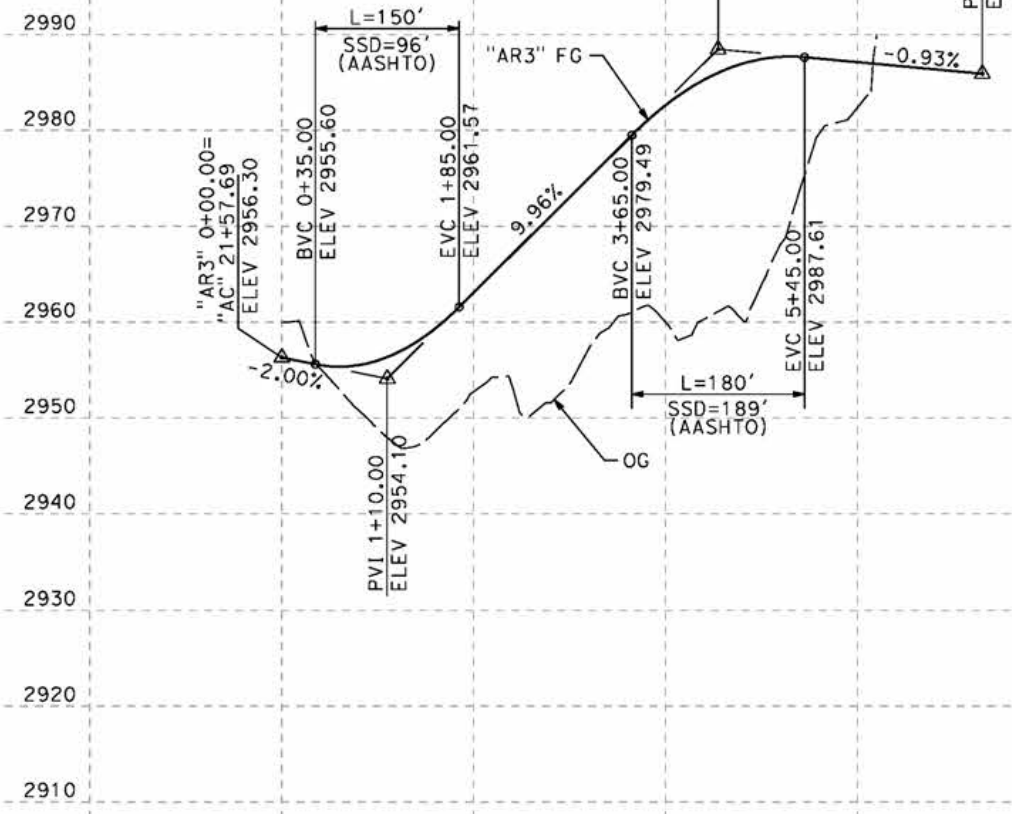
cordo

NOTE:  
PLEASE REFER TO SHEET CV-T4015-E2 FOR FORESTON ACCESS ROAD PLAN  
AND CV-T4017-E2 FOR ACCESS ROAD 3 PLAN



**FORESTON ACCESS ROAD "FD"  
PROFILE**

HORIZ: 1"=100'  
VERT: 1"=10'  
DESIGN SPEED 25 MPH



**ACCESS ROAD 3 "AR3"  
PROFILE**

HORIZ: 1"=100'  
VERT: 1"=10'  
DESIGN SPEED 25 MPH

STATION	0+00	2+00	4+00	6+00	0+00	2+00	4+00	6+00	TOTAL
Exc									
Emb									

DESIGNED BY  
J.C. ALAMILLA  
DRAWN BY  
A. SANZ  
CHECKED BY  
W. GUO  
IN CHARGE  
A. RELANO  
DATE  
04/30/2021

**PEPD RECORD SET  
REV 02  
NOT FOR  
CONSTRUCTION**



**CALIFORNIA HIGH-SPEED RAIL PROJECT  
PALMDALE TO BURBANK**  
ALIGNMENT "E2"  
ACCESS ROAD PROFILE  
FORESTON ACCESS ROAD AND ACCESS ROAD 3 - PORTAL 3

CONTRACT NO.  
HSR14-42  
DRAWING NO.  
CV-Y1001-E2  
SCALE  
AS SHOWN  
SHEET NO.

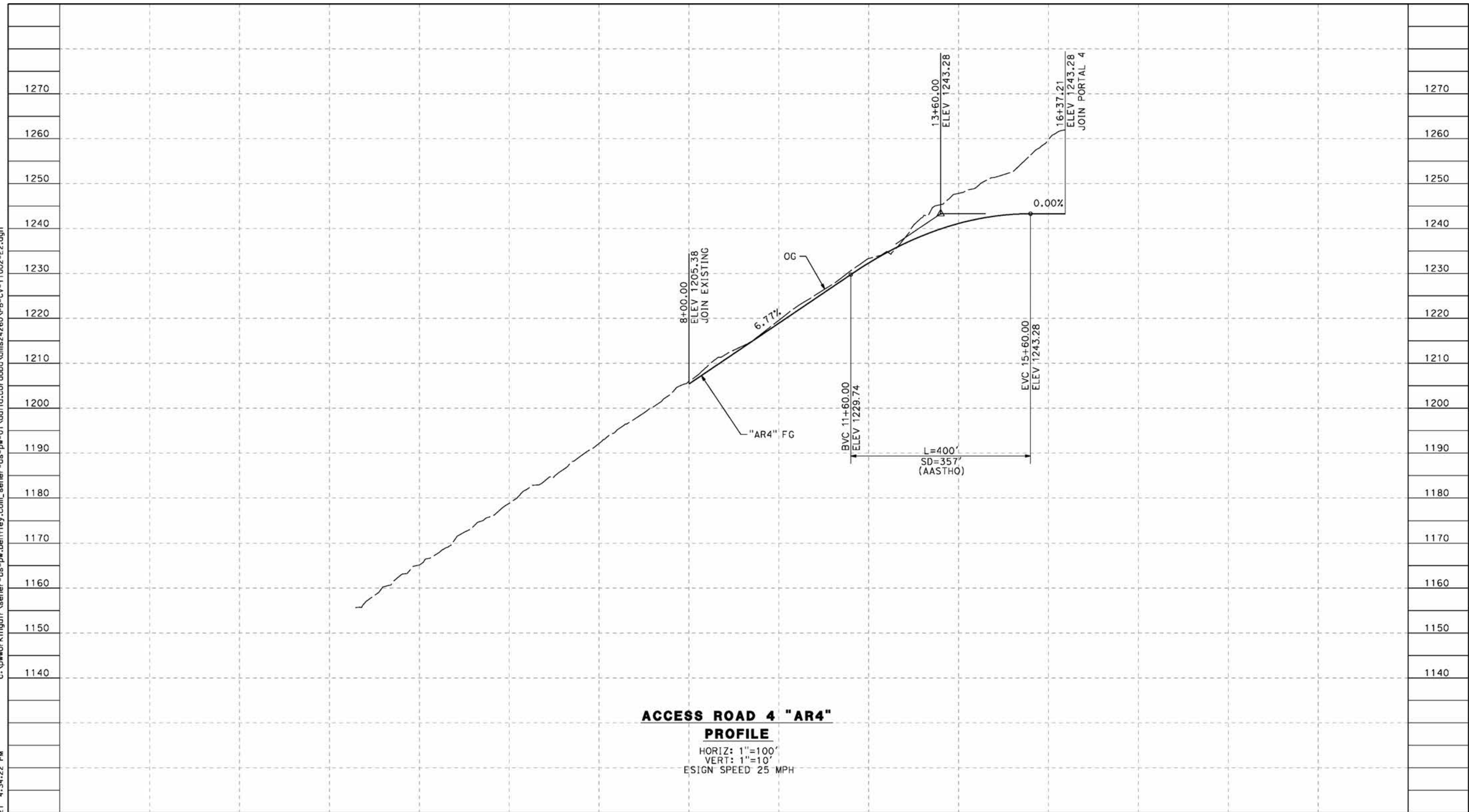
REV	DATE	BY	CHK	APP	DESCRIPTION



5/24/2021 4:34:22 PM c:\pwworkingdir\sener-us-pw-bentley.com\_sener-us-pw-01\dalifa.cordoba\dms24260VPB-CV-Y1002-E2.dgn

cordo

cordo



**ACCESS ROAD 4 "AR4"**  
**PROFILE**  
 HORIZ: 1"=100'  
 VERT: 1"=10'  
 DESIGN SPEED 25 MPH

STATION	8+00	10+00	12+00	14+00	16+00	18+00	TOTAL
Exc							
Emb							

REV	DATE	BY	CHK	APP	DESCRIPTION

DESIGNED BY  
J.C. ALAMILLA  
 DRAWN BY  
A. SANZ  
 CHECKED BY  
W. GUO  
 IN CHARGE  
A. RELANO  
 DATE  
04/30/2021

**PEPD RECORD SET  
REV 02**  
  
**NOT FOR  
CONSTRUCTION**



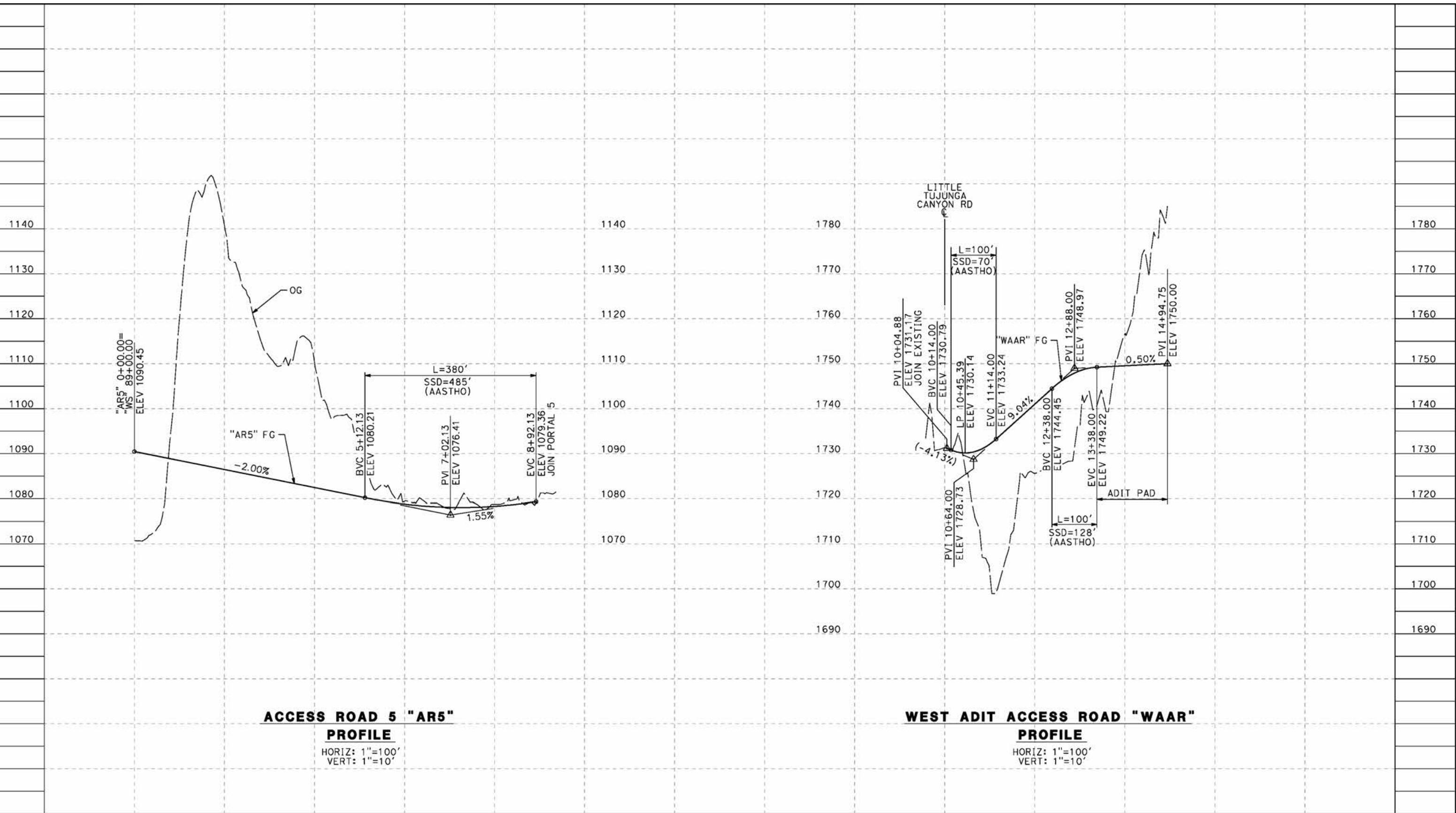
**CALIFORNIA HIGH-SPEED RAIL PROJECT  
PALMDALE TO BURBANK**  
 ALIGNMENT "E2"  
 ACCESS ROAD PROFILE  
 ACCESS ROAD 4

CONTRACT NO.  
HSR14-42  
 DRAWING NO.  
CV-Y1002-E2  
 SCALE  
AS SHOWN  
 SHEET NO.

ct:\pwworkingdir\sener-us-pw-bentley.com\_sener-us-pw-01\dalifa.cordoba\dms24260VPB-CV-Y1003-E2.dgn

5/24/2021 4:37:19 PM

cordo



**ACCESS ROAD 5 "AR5"**  
**PROFILE**  
 HORIZ: 1"=100'  
 VERT: 1"=10'

**WEST ADIT ACCESS ROAD "WAAR"**  
**PROFILE**  
 HORIZ: 1"=100'  
 VERT: 1"=10'

STATION	0+00	2+00	4+00	6+00	8+00	10+00	0+00	10+00	12+00	14+00	16+00	TOTAL
Exc												
Emb												

DESIGNED BY  
J.C. ALAMILLA  
 DRAWN BY  
A. SANZ  
 CHECKED BY  
W. GUO  
 IN CHARGE  
A. RELANO  
 DATE  
04/30/2021

**PEPD RECORD SET**  
**REV 02**  
**NOT FOR**  
**CONSTRUCTION**



**CALIFORNIA HIGH-SPEED RAIL PROJECT**  
**PALMDALE TO BURBANK**  
 ALIGNMENT "E2"  
 ACCESS ROAD PROFILE  
 ACCESS ROAD 5 AND WEST ADIT ACCESS ROAD

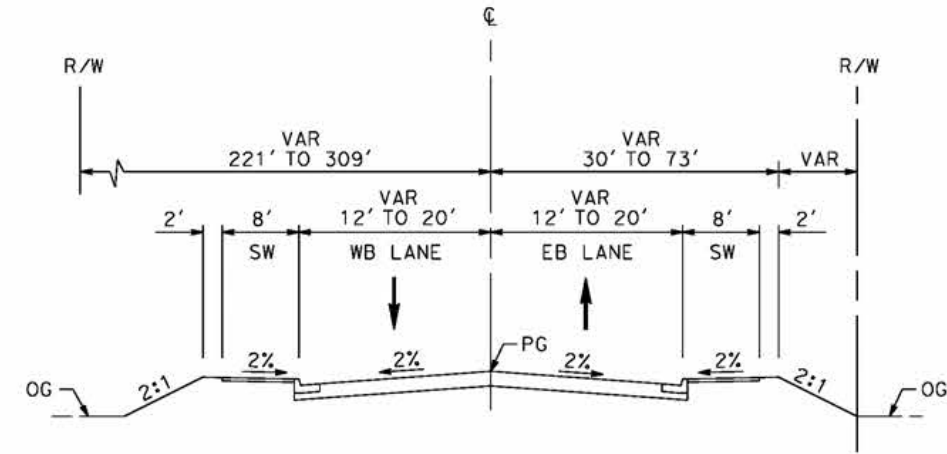
CONTRACT NO.  
HSR14-42  
 DRAWING NO.  
CV-Y1003-E2  
 SCALE  
AS SHOWN  
 SHEET NO.

REV	DATE	BY	CHK	APP	DESCRIPTION

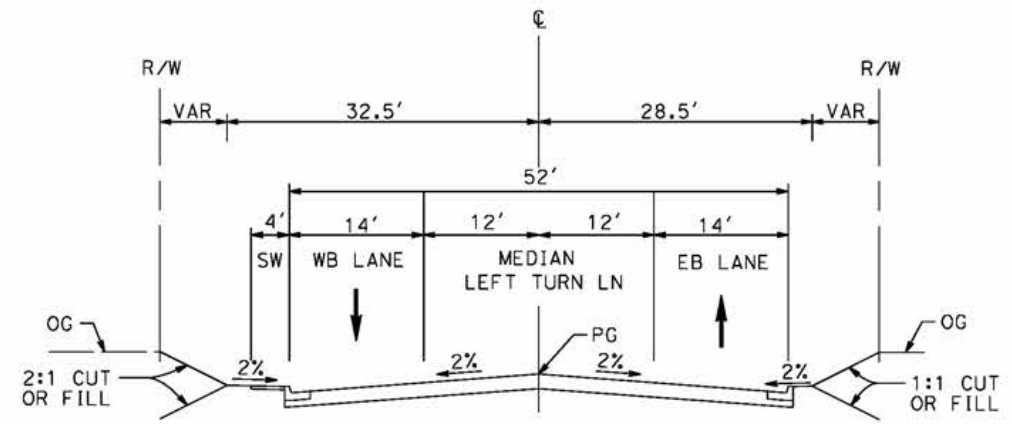
ct:\pwworkingdir\sener-us-pw-bentley.com\_sener-us-pw-01\dalila.cordoba\dms24260\PB-CV-Y3001-E2.dgn

5/12/2021 8:34:27 AM

cordo



**VALLEY FORGE**  
 STA 10+34 TO 15+34  
 RESIDENTIAL STREET (E)  
 PER CITY OF PALMDALE GENERAL PLAN



**EAST AVENUE R11**  
 STA 10+00.00 TO STA 18+80.51  
 LOCAL INTERIOR STREET  
 PER CITY OF PALMDALE GENERAL PLAN

REV	DATE	BY	CHK	APP	DESCRIPTION

DESIGNED BY  
J.C. ALAMILLA  
 DRAWN BY  
A. SANZ  
 CHECKED BY  
W. GUO  
 IN CHARGE  
A. RELANO  
 DATE  
04/30/2021

**PEPD RECORD SET**  
 REV 02  
**NOT FOR CONSTRUCTION**



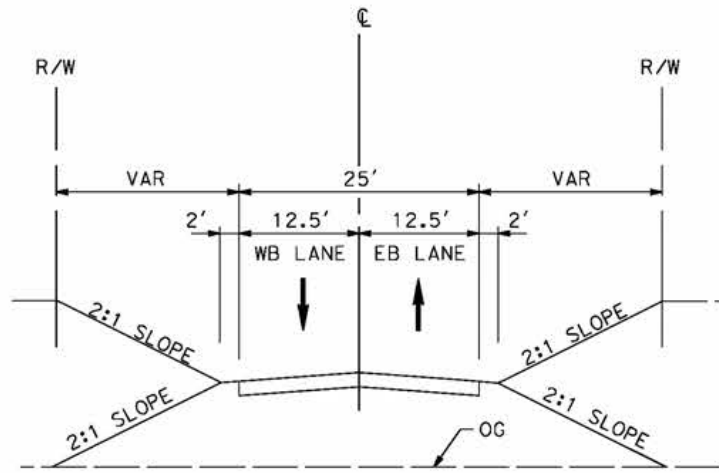
**CALIFORNIA HIGH-SPEED RAIL PROJECT**  
**PALMDALE TO BURBANK**  
 ALIGNMENT "E2"  
 TYPICAL SECTIONS  
 VALLEY FORGE AND EAST AVE R11

CONTRACT NO.  
HSR14-42  
 DRAWING NO.  
CV-Y3001-E2  
 SCALE  
NO SCALE  
 SHEET NO.

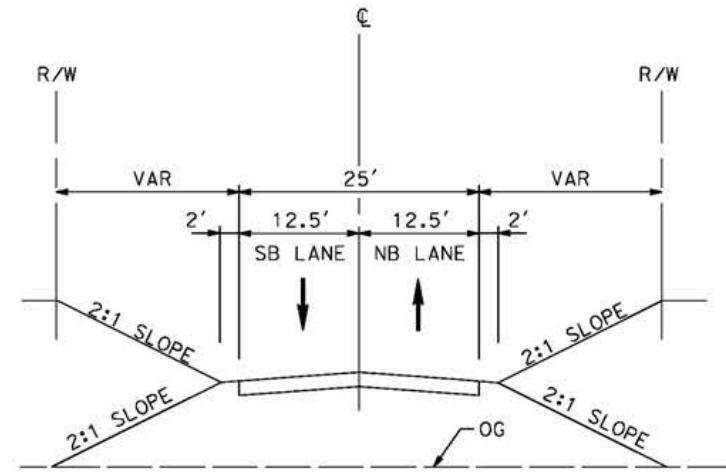
c:\pwworkingdir\sener-us-pw-bentley.com\_sener-us-pw-01\dalila.cordoba\dms24260\PB-CV-Y3002-E2.dgn

5/24/2021 4:39:41 PM

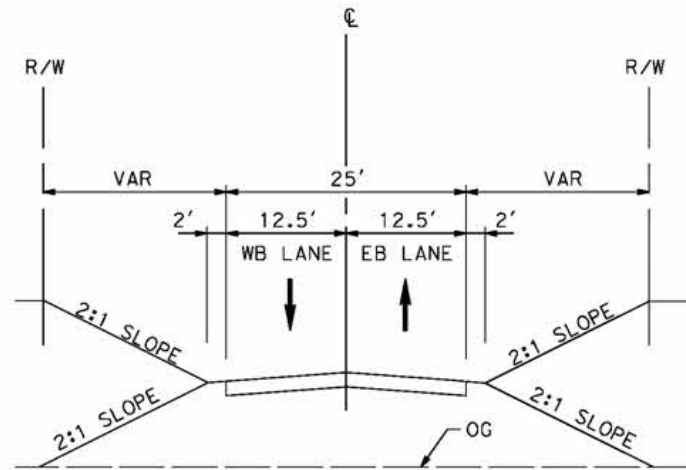
cordo



**ACCESS ROAD 4**  
STA 8+00 TO STA 16+88



**WEST ADIT ACCESS ROAD**  
STA 10+04.88 TO STA 14+94.75



**ACCESS ROAD 5**  
STA 0+00 TO STA 8+92.13

REV	DATE	BY	CHK	APP	DESCRIPTION

DESIGNED BY  
J.C. ALAMILLA  
DRAWN BY  
A. SANZ  
CHECKED BY  
W. GUO  
IN CHARGE  
A. RELANO  
DATE  
04/30/2021

**PEPD RECORD SET**  
REV 02  
**NOT FOR CONSTRUCTION**



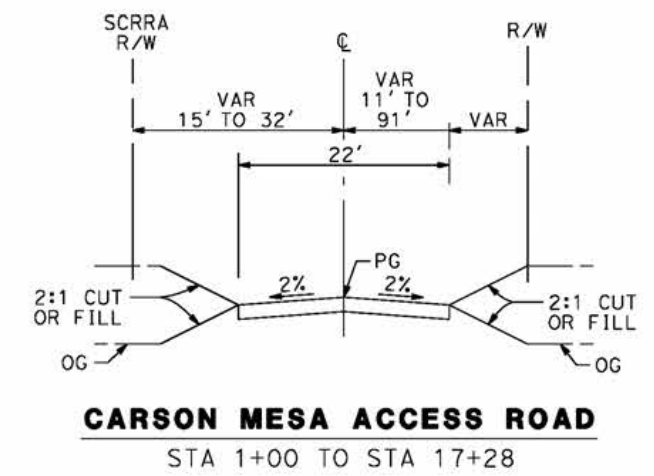
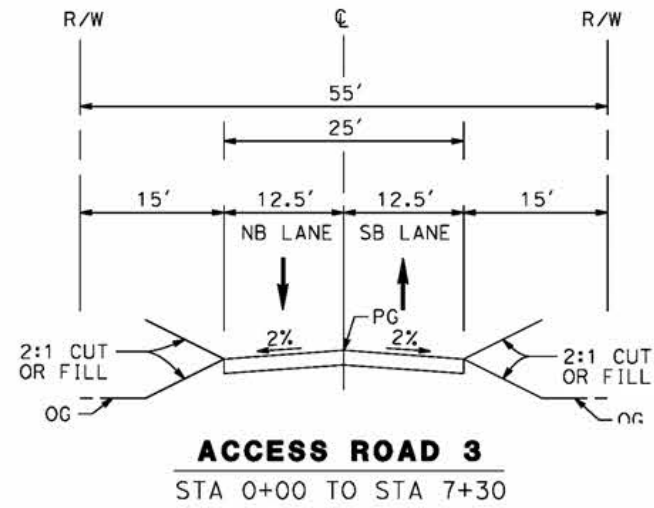
**CALIFORNIA HIGH-SPEED RAIL PROJECT**  
**PALMDALE TO BURBANK**  
ALIGNMENT "E2"  
TYPICAL SECTIONS  
ACCESS ROAD 4, ACCESS ROAD 5  
AND WEST ADIT ACCESS ROAD

CONTRACT NO.  
HSR14-42  
DRAWING NO.  
CV-Y3002-E2  
SCALE  
NO SCALE  
SHEET NO.

c:\pwworkingdir\sener-us-pw-bentley.com\_sener-us-pw-01\dalila.cordoba\dms24260\PB-CV-Y3003-E2.dgn

5/12/2021 8:37:52 AM

cordo



REV	DATE	BY	CHK	APP	DESCRIPTION

DESIGNED BY  
J.C. ALAMILLA  
DRAWN BY  
A. SANZ  
CHECKED BY  
W. GUO  
IN CHARGE  
A. RELANO  
DATE  
04/30/2021

**PEPD RECORD SET**  
**REV 02**  
**NOT FOR CONSTRUCTION**



**CALIFORNIA HIGH-SPEED RAIL PROJECT**  
**PALMDALE TO BURBANK**  
ALIGNMENT "E2"  
TYPICAL SECTIONS  
CARSON MESA ACCESS ROAD AND ACCESS ROAD 3

CONTRACT NO.  
HSR14-42  
DRAWING NO.  
CV-Y3003-E2  
SCALE  
NO SCALE  
SHEET NO.