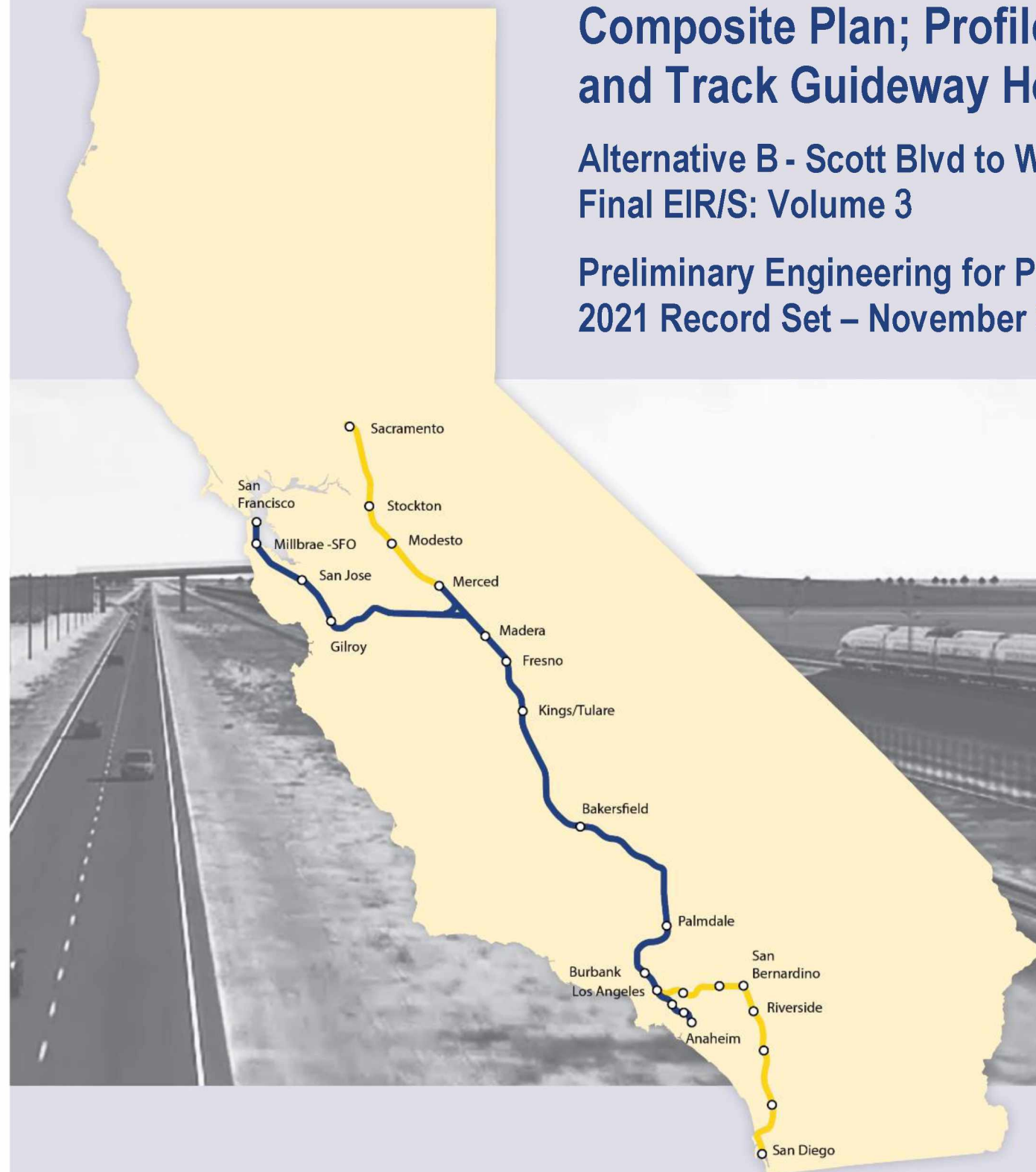


San Francisco to San Jose Project Section

Composite Plan; Profile; Typical Sections; Stations; Structures; Roadway;
and Track Guideway Horizontal Alignment Data Table

Alternative B - Scott Blvd to W. Alma Ave (Viaduct to Scott Blvd)
Final EIR/S: Volume 3

Preliminary Engineering for Project Definition
2021 Record Set – November 2021



**SAN FRANCISCO TO SAN JOSE EIR/S: VOLUME III
ALTERNATIVE B
BOOK B6
SHEET 114 TO 146 OF 146**

ALTERNATIVE B - SAN FRANCISCO TO SAN JOSE (SCOTT BOULEVARD TO W. ALMA AVE) - VIADUCT TO SCOTT BOULEVARD

BOOK	SHEET NO	DRAWING NO	SUBSECTION	GEOGRAPHIC LOCATION OR FEATURE	ALIGNMENT OR FEATURE	SHEET DESCRIPTION	ADDITIONAL DESCRIPTION
COVER, INDEX OF DRAWING AND KEY MAPS							
BOOK B6	A	COVER		SCOTT BLVD TO W. ALMA AVE	ALTERNATIVE B	SCOTT BLVD TO W. ALMA	VIADUCT TO SCOTT BLVD
BOOK B6	B	GE-A2106	SAN JOSE DIRIDON STATION APPROACH	SCOTT BLVD TO W. ALMA AVE	INDEX OF DRAWINGS	SHEET 6 OF 6	
BOOK B6	C	GE-D2101	GENERAL	ENTIRE ALTERNATIVE	KEY MAP	COMPOSITE PLAN	SHEET 1 OF 4
BOOK B6	D	GE-D2102	GENERAL	ENTIRE ALTERNATIVE	KEY MAP	COMPOSITE PLAN	SHEET 2 OF 4
BOOK B6	E	GE-D2103	GENERAL	ENTIRE ALTERNATIVE	KEY MAP	COMPOSITE PLAN	SHEET 3 OF 4
BOOK B6	F	GE-D2104	GENERAL	ENTIRE ALTERNATIVE	KEY MAP	COMPOSITE PLAN	SHEET 4 OF 4
BOOK B6	G	GE-D2105	GENERAL	ENTIRE ALTERNATIVE	KEY MAP	SYSTEM SITES	
COMPOSITE PLAN, PROFILE AND TYPICAL SECTIONS							
BOOK B6	114	TT-D0251	SAN JOSE DIRIDON STATION APPROACH	SCOTT BLVD TO BENTON ST	VIADUCT TO SCOTT BLVD	COMPOSITE PLAN, PROFILE AND TYPICAL SECTIONS	B2250+00 TO B2340+00
BOOK B6	115	TT-D0252	SAN JOSE DIRIDON STATION APPROACH	NEWHALL ST TO W TAYLOR ST	VIADUCT TO SCOTT BLVD	COMPOSITE PLAN, PROFILE AND TYPICAL SECTIONS	B2340+00 TO B2430+00
BOOK B6	116	TT-D0253	SAN JOSE DIRIDON STATION APPROACH	CINNABAR ST TO PARK AVE	VIADUCT TO SCOTT BLVD	COMPOSITE PLAN, PROFILE AND TYPICAL SECTIONS	B2430+00 TO B58+00
BOOK B6	117	TT-D0301	SAN JOSE DIRIDON STATION APPROACH	PARK AVE TO WILLOW ST	VIADUCT TO SCOTT BLVD	COMPOSITE PLAN, PROFILE AND CROSS SECTIONS	B58+00 TO B125+00
BOOK B6	118	TT-Y0301	SAN JOSE DIRIDON STATION APPROACH	N/A	VIADUCT TO I-880	PROJECT BOUNDARY DETAILS	
BOOK B6	119	TT-D0401	SAN JOSE DIRIDON STATION APPROACH	WILLOW ST TO CURTNER AVE	VIADUCT TO SCOTT BLVD	COMPOSITE PLAN, PROFILE AND CROSS SECTIONS	B125+00 TO B211+00
BOOK B6	120	TT-Y0401	SAN JOSE DIRIDON STATION APPROACH	N/A	VIADUCT / AT-GRADE	PROJECT BOUNDARY DETAILS	
STATIONS							
BOOK B6	121	AR-C0101	SAN JOSE DIRIDON STATION APPROACH	SANTA CLARA ST, PARK AVE	VIADUCT TO I-880	SAN JOSE DIRIDON STATION	CONCEPTUAL SITE PLAN
BOOK B6	122	AR-C0102	SAN JOSE DIRIDON STATION APPROACH	SANTA CLARA ST, PARK AVE	VIADUCT TO I-880	SAN JOSE DIRIDON STATION	DETAILED SITE PLAN
BOOK B6	123	AR-F0101	SAN JOSE DIRIDON STATION APPROACH	SANTA CLARA ST, PARK AVE	VIADUCT TO I-880	SAN JOSE DIRIDON STATION	CONCOURSE PLAN
BOOK B6	124	AR-Y0101	SAN JOSE DIRIDON STATION APPROACH	SANTA CLARA ST, PARK AVE	VIADUCT TO I-880	SAN JOSE DIRIDON STATION	SECTION
BOOK B6	125	AR-Y0102	SAN JOSE DIRIDON STATION APPROACH	SANTA CLARA ST, PARK AVE	VIADUCT TO I-880	SAN JOSE DIRIDON STATION	MASSING DIAGRAM
BOOK B6	126	AR-Y0103	SAN JOSE DIRIDON STATION APPROACH	SANTA CLARA ST, PARK AVE	VIADUCT TO I-880	SAN JOSE DIRIDON STATION	MASSING DIAGRAM
BOOK B6	127	AR-Y0104	SAN JOSE DIRIDON STATION APPROACH	N/A	VIADUCT TO I-880	SAN JOSE DIRIDON STATION	FACILITY SIZING TABLE
BOOK B6	128	AR-Y0105	SAN JOSE DIRIDON STATION APPROACH	N/A	VIADUCT TO I-880	SAN JOSE DIRIDON STATION	FACILITY SIZING TABLE
BOOK B6	129	AR-Y0106	SAN JOSE DIRIDON STATION APPROACH	N/A	VIADUCT TO I-880	SAN JOSE DIRIDON STATION	FACILITY SIZING TABLE
BOOK B6	130	AR-Y0107	SAN JOSE DIRIDON STATION APPROACH	N/A	VIADUCT TO I-880	SAN JOSE DIRIDON STATION	FACILITY SIZING TABLE
STRUCTURES							
BOOK B6	131	ST-V0251	SAN JOSE DIRIDON STATION APPROACH	LAFAYETTE ST	VIADUCT TO SCOTT BLVD	COMPLEX STRUCTURES	GENERAL PLAN 1 OF 5
BOOK B6	132	ST-V0252	SAN JOSE DIRIDON STATION APPROACH	DE LA CRUZ BLVD	VIADUCT TO SCOTT BLVD	COMPLEX STRUCTURES	GENERAL PLAN 2 OF 5
BOOK B6	133	ST-V0253	SAN JOSE DIRIDON STATION APPROACH	ENTON ST, I 880	VIADUCT TO SCOTT BLVD	COMPLEX STRUCTURES	GENERAL PLAN 3 OF 5
BOOK B6	134	ST-V0254	SAN JOSE DIRIDON STATION APPROACH	W TAYLOR ST	VIADUCT TO SCOTT BLVD	COMPLEX STRUCTURES	GENERAL PLAN 4 OF 5
BOOK B6	135	ST-V0255	SAN JOSE DIRIDON STATION APPROACH	W SANTA CLARA ST	VIADUCT TO SCOTT BLVD	COMPLEX STRUCTURES	GENERAL PLAN 5 OF 5
BOOK B6	136	ST-T0251	SAN JOSE DIRIDON STATION APPROACH	DE LA CRUZ BLVD	VIADUCT TO SCOTT BLVD	OVERPASSES AND UNDERPASSES	DE LA CRUZ BLVD
BOOK B6	137	ST-T0252	SAN JOSE DIRIDON STATION APPROACH	STOCKTON AVE, UPRR	VIADUCT TO SCOTT BLVD	OVERPASSES AND UNDERPASSES	WEST HEDDING STREET
ROADWAY							
BOOK B6	138	CV-T0251	SAN JOSE DIRIDON STATION APPROACH	COLEMAN AVE, DE LA CRUZ BLVD	VIADUCT TO SCOTT BLVD	PLAN, PROFILE AND TYPICAL SECTIONS - SHEET 1 OF 2	DE LA CRUZ AVENUE
BOOK B6	139	CV-T0252	SAN JOSE DIRIDON STATION APPROACH	DE LA CRUZ BLVD	VIADUCT TO SCOTT BLVD	PLAN, PROFILE AND TYPICAL SECTIONS - SHEET 2 OF 2	DE LA CRUZ AVENUE
BOOK B6	140	CV-T0253	SAN JOSE DIRIDON STATION APPROACH	STOCKTON AVE, ELM ST	VIADUCT TO SCOTT BLVD	PLAN, PROFILE AND TYPICAL SECTIONS	WEST HEDDING STREET
BOOK B6	141	CV-T0401	SAN JOSE DIRIDON STATION APPROACH	WILLOW ST, W ALMA AVE	VIADUCT/AT-GRADE	GRADE SEPARATION LAYOUT, PROFILE, & CROSS SECTIONS	SR87 ON-RAMP
TRACK GUIDEWAY HORIZONTAL ALIGNMENT DATA TABLE							
BOOK B6	142	TT-B0201-JM	SAN JOSE DIRIDON STATION APPROACH	N/A	VIADUCT TO SCOTT BLVD	TRACK ALIGNMENT DATA TABLE	CURVE NO. C189 AND C190
BOOK B6	143	TT-B0202-JM	SAN JOSE DIRIDON STATION APPROACH	N/A	VIADUCT TO SCOTT BLVD	TRACK ALIGNMENT DATA TABLE	CURVE NO. C191 AND C192
BOOK B6	144	TT-B0103-JM	SAN JOSE DIRIDON STATION APPROACH	N/A	VIADUCT TO SCOTT BLVD	TRACK ALIGNMENT DATA TABLE	CURVE NO. C193
BOOK B6	145	TT-B0104	SAN JOSE DIRIDON STATION APPROACH	N/A	VIADUCT TO SCOTT BLVD	B2 TRACK ALIGNMENT DATA TABLE	CURVE NO. C101 AND C102
BOOK B6	146	TT-B0105	SAN JOSE DIRIDON STATION APPROACH	N/A	VIADUCT TO SCOTT BLVD	B2 TRACK ALIGNMENT DATA TABLE	CURVE NO. C103 AND C104

**SAN FRANCISCO TO SAN JOSE EIR/S: VOLUME III
ALTERNATIVE B
BOOK B6
SHEET B**

12/21/2021 12:01:24 PM CAHSRP.tbl p:\car-son\p\car-son\46037_cansr\dms2188\F-J-GE-AZ106.dgn

REV	DATE	BY	CHK	APP	DESCRIPTION

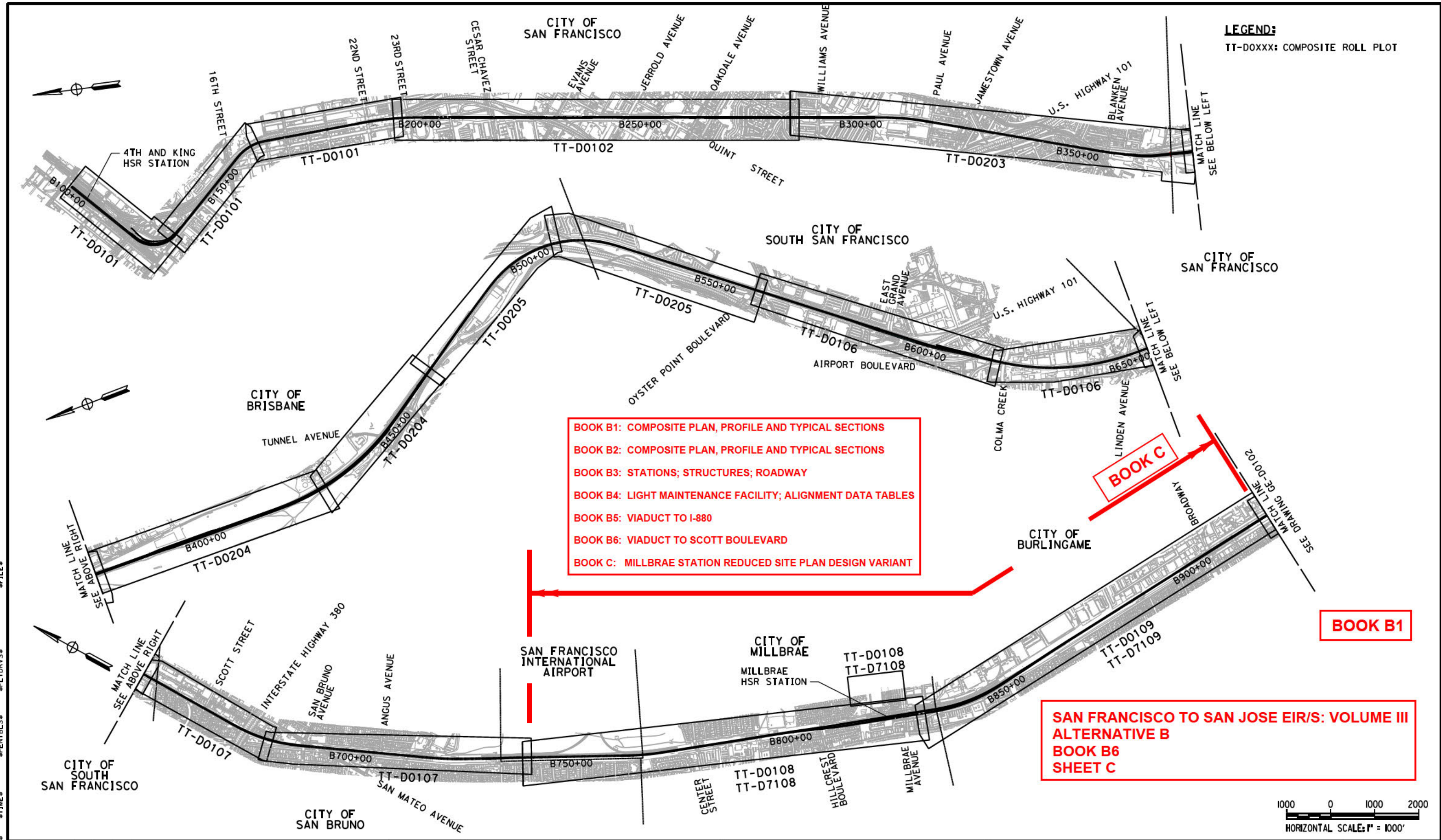
DESIGNED BY	
DRAWN BY	
CHECKED BY	
IN CHARGE	
DATE	

2021 RECORD SET PEPP
NOVEMBER 30, 2021
NOT FOR CONSTRUCTION



**CALIFORNIA HIGH-SPEED TRAIN PROJECT
SAN FRANCISCO TO SAN JOSE**
ALTERNATIVE B
INDEX OF DRAWINGS
SHEET 6 OF 6

CONTRACT NO.	HSR15-34
DRAWING NO.	GE-A2106
SCALE	NONE
SHEET NO.	



LEGEND:
TT-DOXXX: COMPOSITE ROLL PLOT

BOOK B1: COMPOSITE PLAN, PROFILE AND TYPICAL SECTIONS
BOOK B2: COMPOSITE PLAN, PROFILE AND TYPICAL SECTIONS
BOOK B3: STATIONS; STRUCTURES; ROADWAY
BOOK B4: LIGHT MAINTENANCE FACILITY; ALIGNMENT DATA TABLES
BOOK B5: VIADUCT TO I-880
BOOK B6: VIADUCT TO SCOTT BOULEVARD
BOOK C: MILLBRAE STATION REDUCED SITE PLAN DESIGN VARIANT

BOOK C

BOOK B1

SAN FRANCISCO TO SAN JOSE EIR/S: VOLUME III
ALTERNATIVE B
BOOK B6
SHEET C



REV	DATE	BY	CHK	APP	DESCRIPTION

DESIGNED BY	
DRAWN BY	
CHECKED BY	
IN CHARGE	
DATE	

2021 RECORD
SBT PMPD
 NOVEMBER 30, 2021
NOT FOR CONSTRUCTION



1111 Broadway
 9th Floor
 Oakland, CA 94607



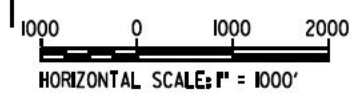
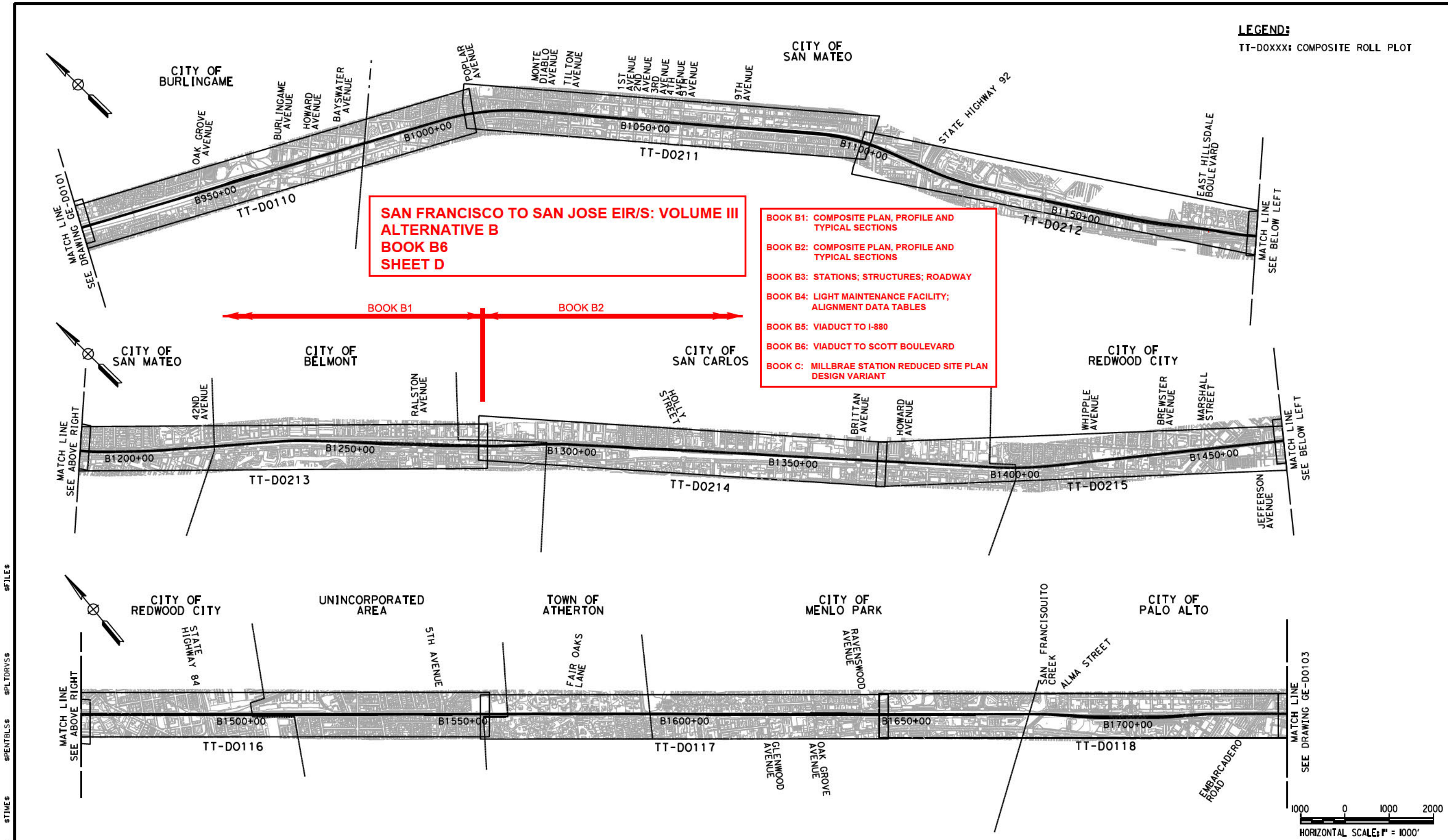
CALIFORNIA HIGH-SPEED TRAIN PROJECT
SAN FRANCISCO TO SAN JOSE
 ALTERNATIVE B
 KEY MAP
 COMPOSITE PLAN
 SHEET 1 OF 4

CONTRACT NO.	HSR15-34
DRAWING NO.	GE-D2101
SCALE	AS SHOWN
SHEET NO.	

LEGEND:
TT-D0XXX: COMPOSITE ROLL PLOT

**SAN FRANCISCO TO SAN JOSE EIR/S: VOLUME III
ALTERNATIVE B
BOOK B6
SHEET D**

- BOOK B1: COMPOSITE PLAN, PROFILE AND TYPICAL SECTIONS
- BOOK B2: COMPOSITE PLAN, PROFILE AND TYPICAL SECTIONS
- BOOK B3: STATIONS; STRUCTURES; ROADWAY
- BOOK B4: LIGHT MAINTENANCE FACILITY; ALIGNMENT DATA TABLES
- BOOK B5: VIADUCT TO I-880
- BOOK B6: VIADUCT TO SCOTT BOULEVARD
- BOOK C: MILLBRAE STATION REDUCED SITE PLAN DESIGN VARIANT



\$USER\$ \$DATE\$ \$TIME\$ \$SHEETBL\$ \$PLTDRVS\$ \$FILE\$

REV	DATE	BY	CHK	APP	DESCRIPTION

DESIGNED BY
DRAWN BY
CHECKED BY
IN CHARGE
DATE

**2021 RECORD
SBT PMPD**

NOVEMBER 30, 2021

**NOT FOR
CONSTRUCTION**

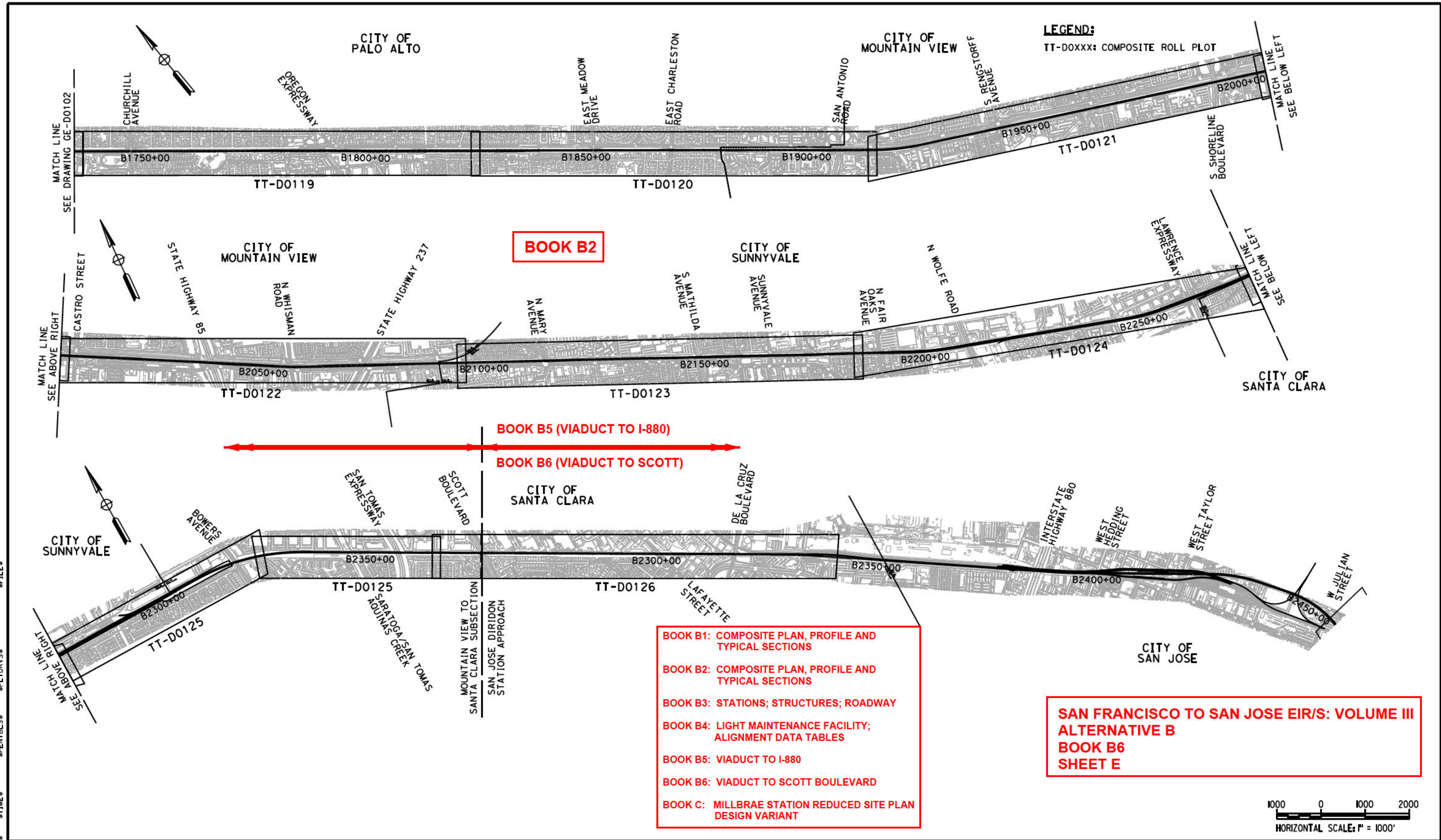
HNTB 1111 Broadway
9th Floor
Oakland, CA 94607



**CALIFORNIA HIGH-SPEED TRAIN PROJECT
SAN FRANCISCO TO SAN JOSE**

ALTERNATIVE B
KEY MAP
COMPOSITE PLAN
SHEET 2 OF 4

CONTRACT NO.
HSR15-34
DRAWING NO.
GE-D2102
SCALE
AS SHOWN
SHEET NO.



LEGEND:
TT-DOXXX: COMPOSITE ROLL PLOT

BOOK B2

BOOK B1: COMPOSITE PLAN, PROFILE AND TYPICAL SECTIONS
BOOK B2: COMPOSITE PLAN, PROFILE AND TYPICAL SECTIONS
BOOK B3: STATIONS; STRUCTURES; ROADWAY
BOOK B4: LIGHT MAINTENANCE FACILITY; ALIGNMENT DATA TABLES
BOOK B5: VIADUCT TO I-880
BOOK B6: VIADUCT TO SCOTT BOULEVARD
BOOK C: MILLBRAE STATION REDUCED SITE PLAN DESIGN VARIANT

SAN FRANCISCO TO SAN JOSE EIR/S: VOLUME III
ALTERNATIVE B
BOOK B6
SHEET E



REV	DATE	BY	CHK	APP	DESCRIPTION

DESIGNED BY
DRAWN BY
CHECKED BY
IN CHARGE
DATE

2021 RECORD SET PMPD
NOVEMBER 30, 2021
NOT FOR CONSTRUCTION

HNTB
1111 Broadway
9th Floor
Oakland, CA 94607



CALIFORNIA HIGH-SPEED TRAIN PROJECT
SAN FRANCISCO TO SAN JOSE
 ALTERNATIVE B
 KEY MAP
 COMPOSITE PLAN
 SHEET 3 OF 4

CONTRACT NO.
HSR15-34
DRAWING NO.
GE-D2103
SCALE
AS SHOWN
SHEET NO.

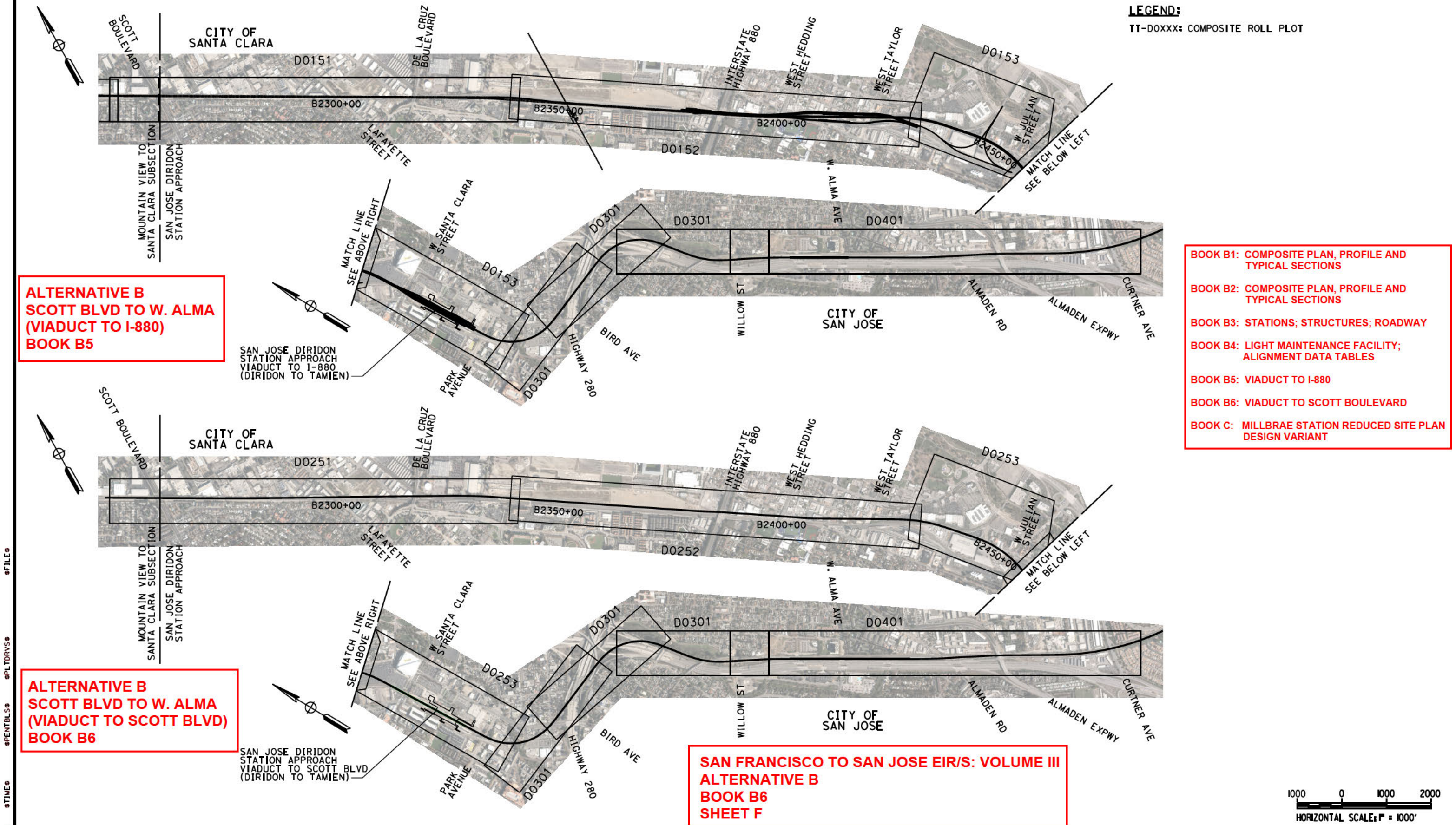
LEGEND:
 TT-DOXXX: COMPOSITE ROLL PLOT

**ALTERNATIVE B
 SCOTT BLVD TO W. ALMA
 (VIADUCT TO I-880)
 BOOK B5**

**ALTERNATIVE B
 SCOTT BLVD TO W. ALMA
 (VIADUCT TO SCOTT BLVD)
 BOOK B6**

**SAN FRANCISCO TO SAN JOSE EIR/S: VOLUME III
 ALTERNATIVE B
 BOOK B6
 SHEET F**

- BOOK B1: COMPOSITE PLAN, PROFILE AND TYPICAL SECTIONS
- BOOK B2: COMPOSITE PLAN, PROFILE AND TYPICAL SECTIONS
- BOOK B3: STATIONS; STRUCTURES; ROADWAY
- BOOK B4: LIGHT MAINTENANCE FACILITY; ALIGNMENT DATA TABLES
- BOOK B5: VIADUCT TO I-880
- BOOK B6: VIADUCT TO SCOTT BOULEVARD
- BOOK C: MILLBRAE STATION REDUCED SITE PLAN DESIGN VARIANT



REV	DATE	BY	CHK	APP	DESCRIPTION

DESIGNED BY
 DRAWN BY
 CHECKED BY
 IN CHARGE
 DATE

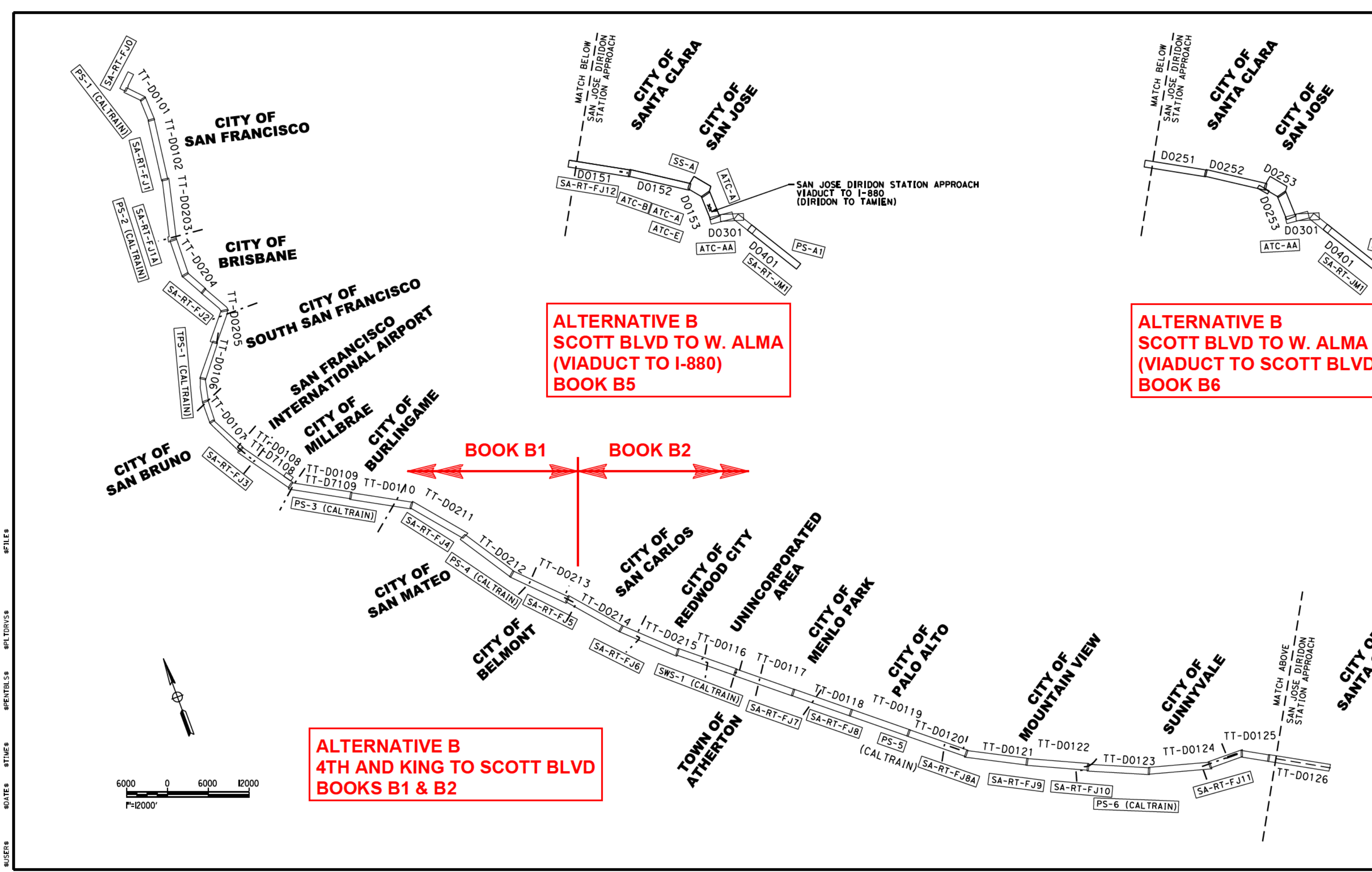
**2021 RECORD
 SBT PMPD**
 NOVEMBER 30, 2021
**NOT FOR
 CONSTRUCTION**

HNTB 1111 Broadway
 9th Floor
 Oakland, CA 94607



**CALIFORNIA HIGH-SPEED TRAIN PROJECT
 SAN FRANCISCO TO SAN JOSE**
 ALTERNATIVE B
 KEY MAP
 COMPOSITE PLAN
 SHEET 4 OF 4

CONTRACT NO.
 HSR15-34
 DRAWING NO.
 GE-D2104
 SCALE
 AS SHOWN
 SHEET NO.



ALTERNATIVE B

Station (SB TRK)	Traction Power Facility (TPF)	TPD IF	Dist. to Prev. TPF (m)	Automatic Train Control Sites	Dist. to Prev. ATC-D (m)	Communications Radio Tower	Dist. to Prev. RT (m)	Cross Street
104+63	4th & King Passenger Station					Radio Tower 4th & King Sta FJ0		4th St
133+15				STATION EQUATION STA B133+15.12 = STA B136+00.00				
139+00								
162+58	Mariposa PS-1 (Caltrain)	PCEP-PS-1	3.86			Radio Tower PS-1 (Caltrain)		Mariposa St
167+09				CALTRAIN TUNNEL 1 - NORTH PORTAL				
169+27				CALTRAIN TUNNEL 1 - SOUTH PORTAL				
198+80				CALTRAIN TUNNEL 2 - NORTH PORTAL				
209+69				CALTRAIN TUNNEL 2 - SOUTH PORTAL				
245+49						Stand Alone Radio Tower FJ1 - Alt 1	2.50	Jerrold Ave
258+78						to RT 4th & King Sta	1.57	
264+92				CALTRAIN TUNNEL 3 - NORTH PORTAL				
289+52				CALTRAIN TUNNEL 3 - SOUTH PORTAL				
322+20				CALTRAIN TUNNEL 4 - NORTH PORTAL				
357+57				CALTRAIN TUNNEL 4 - SOUTH PORTAL				
358+24				Beginning of Alternative B - West Brisbane				
358+50						Stand Alone Radio Tower FJ1A	2.14	Blanken Ave
366+50	Bayshore PS-2 (Caltrain)					to SA-RT FJ1 - Alt 1	1.89	Recycle Road
467+30						to SA-RT FJ1 - Alt 2		Co-locate SAR at Caltrain site
476+65						Stand Alone Radio Tower FJ2 - Alt 1	2.06	Bayshore Boulevard
539+86				STATION EQUATION STA B539+85.68 = STA B545+00.00				
542+50				End of Alternative B - West Brisbane. Conform with Alternative A.				
585+00	South San Francisco TPS-1 (Caltrain)	PCEP-TPS-1	4.09			Radio Tower TPS-1 (Caltrain)	2.18	Grand Ave
662+59						to SA-RT FJ2 - Alt 1	5.73	
665+00						to SA-RT FJ2 - Alt 2	36.21	
741+43						Stand Alone Radio Tower FJ3 - Alt 1	2.92	San Marco Ave
745+23						to RT TPS-1	2.99	Santa Lucia Ave
890+00	Broadway PS-3 (Caltrain)	PCEP-PS-3	5.73			Radio Tower PS-3 (Caltrain)	2.81	Lirioch Ave
1038+91						to SA-RT FJ3 - Alt 1	2.74	
1046+13						Stand Alone Radio Tower FJ4 - Alt 1		Cypress Avenue
						to SA-RT FJ3 - Alt 2		2nd Avenue
						Stand Alone Radio Tower FJ4 - Alt 2		

ALTERNATIVE B (CONTINUED)

Station (SB TRK)	Traction Power Facility (TPF)	TPD IF	Dist. to Prev. TPF (m)	Automatic Train Control Sites	Dist. to Prev. ATC-D (m)	Communications Radio Tower	Dist. to Prev. RT (m)	Cross Street
1071+00				Beginning of Alternative B - Short Middle 4-Track				
1179+32	Hilldale PS-4 (Caltrain)					Radio Tower PS-4 (Caltrain)		E. Hilldale Boulevard
1257+62						to SA-RT FJ4 - Alt 1	2.86	Co-locate SAR at Caltrain site
1269+19						to SA-RT FJ4 - Alt 2	2.52	
1383+21						Stand Alone Radio Tower FJ5 - Alt 1	1.48	Middle Road
1387+77						to RT PS-4	1.70	Ralston Avenue
1419+97				STATION EQUATION STA B1419+97.30 = STA B1425+00.00				
1425+00				End of Alternative B - Short Middle 4-Track. Conform with Alternative A.				
1495+25	Redwood Junction SWS-1 (Caltrain)	PCEP-SWS-1	5.89			Radio Tower SWS-1 (Caltrain)	2.03	SR 84
1627+06						to SA-RT FJ5 - Alt 2	1.94	
1638+84						Stand Alone Radio Tower FJ7 - Alt 1	2.50	Derby Lane
1725+76						to RT SWS-1	2.72	Ravenswood Avenue
1728+64						Stand Alone Radio Tower FJ8 - Alt 1	1.97	Addison Avenue
1801+60	West Meadow PS-5 (Caltrain)	PCEP-PS-5	5.81			Radio Tower PS-5 (Caltrain)	1.92	Embarcadero Road
1861+61						to SA-RT FJ7 - Alt 2	1.70	
1865+41						Stand Alone Radio Tower FJ8A - Alt 1	2.57	E. Charleston Road
1991+07						to SA-RT FJ8 - Alt 1	2.57	
1998+51						to SA-RT FJ8 - Alt 2	2.52	Park Boulevard
2091+76						Stand Alone Radio Tower FJ8A - Alt 2	2.64	N. Shoreline Boulevard
2093+59						to SA-RT FJ8 - Alt 1	2.59	
2154+69	Sunnyvale PS-6 (Caltrain)	PCEP-PS-6	6.69			Radio Tower PS-6 (Caltrain)	2.47	N. Shoreline Boulevard
2288+87						to SA-RT FJ8A - Alt 2	2.40	
2290+53						Stand Alone Radio Tower FJ9 - Alt 1	1.89	E. Bernardo Avenue
2375+19						to SA-RT FJ9 - Alt 1	1.77	
						Stand Alone Radio Tower FJ9 - Alt 2	1.92	E. Bernardo Avenue
						to SA-RT FJ9 - Alt 1	1.92	
						to SA-RT FJ9 - Alt 2	1.90	Mathilda Avenue
						to SA-RT FJ10 - Alt 1	1.20	
						to SA-RT FJ10 - Alt 2	1.16	Lawrence Expressway
						Stand Alone Radio Tower FJ11 - Alt 1	2.16	
						to RT PS-6	2.57	Lawrence Expressway

ALTERNATIVE B (SCOTT BLVD TO W. ALMA) (VIADUCT TO I-880)

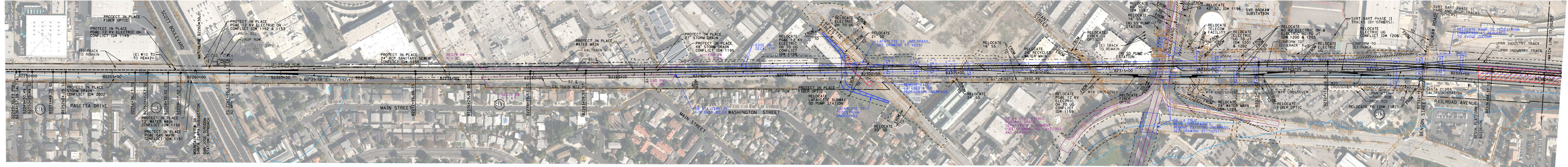
Station (SB TRK)	Traction Power Facility (TPF)	TPD ID	Dist. to Prev. TPF (m)	Automatic Train Control Sites	Dist. to Prev. ATC-D (m)	Communications Radio Tower	Dist. to Prev. RT (m)	Cross Street
2280+00				SCOTT BOULEVARD				
2282+13						Stand Alone Radio Tower FJ12 - Alt 1	2.05	
2287+08						to SA-RT FJ11 - Alt 1	1.64	
2289+50	Caltrain PCEP TPS-2 - Alt 1					Stand Alone Radio Tower FJ12 - Alt 2	2.52	House at Interlocking Site B
2319+52	Substation A (HSR) - ALT2	B-SS-STO (Alt 2)				to SA-RT FJ11 - Alt 1	2.11	
2391+87	Substation A (HSR) - ALT2					Radio Tower SS-A - Alt 1	2.41	Stockton Ave.
2393+77						to SA-RT FJ12 - Alt 1	2.46	
2436+97						to SA-RT FJ12 - Alt 2	1.98	House at Interlocking Site E
2476+07	Diridon Passenger Station					RT Interlocking Site A 6CT-DRDN - Alt 3	2.51	
2480+81						to SA-RT FJ12 - Alt 1	2.04	
2484+32						House at Interlocking Site E	1.42	
52+91						Radio Tower Interlocking Site E - Alt 1	1.37	
66+10						Caltrain PCEP TPS-2 - Alt 1	1.32	
77+33						to Substation A (HSR)	1.32	
91+34						to RT Interlocking Site A - Alt 3	2.20	
150+00						to Substation A (HSR)	2.15	

ALTERNATIVE B (SCOTT BLVD TO W. ALMA) (VIADUCT TO SCOTT BLVD)

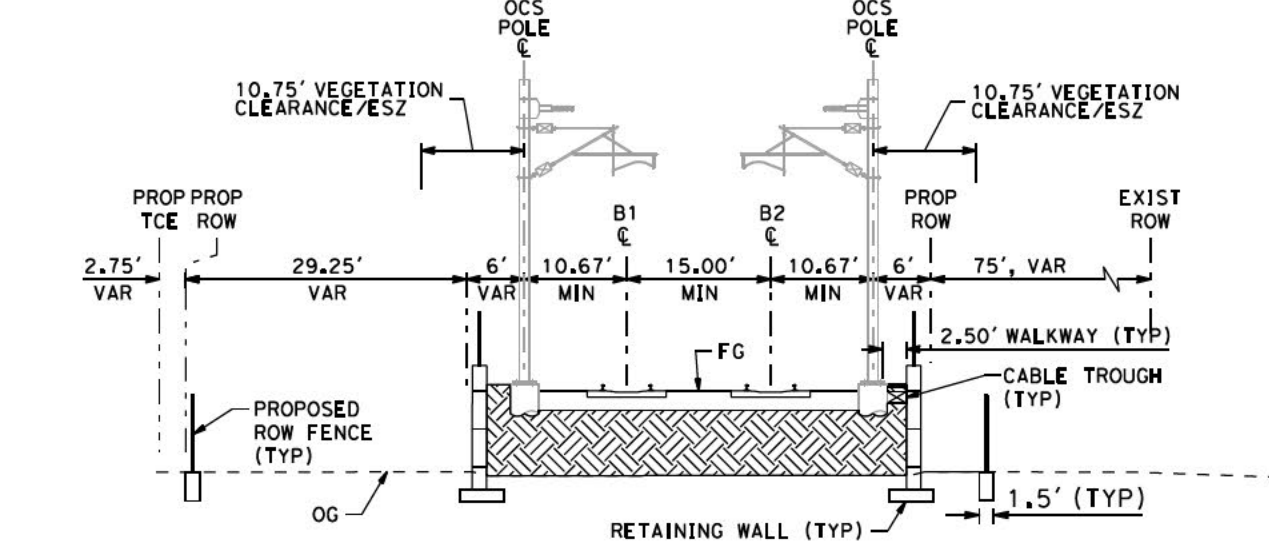
Station (SB TRK)	Traction Power Facility (TPF)	TPD ID	Dist. to Prev. TPF (m)	Automatic Train Control Sites	Dist. to Prev. ATC-D (m)	Communications Radio Tower	Dist. to Prev. RT (m)	Cross Street
2280+00				SCOTT BOULEVARD				
2281+60						House at Interlocking Site A		
2289+15						Radio Tower Interlocking Site A	2.04	
2289+59						to SA-RT FJ11 - Alt 1	1.63	
2389+15						to SA-RT FJ11 - Alt 2	2.42	
2391+52						Radio Tower SS-A - Alt 2	2.46	
2463+97						to RT Interlocking Site A	1.42	
2476+07	Diridon Passenger Station					Radio Tower Interlocking Site E - Alt 1	1.37	
2480+81						to Caltrain PCEP TPS-2 - Alt 1	1.37	
52+91						to Substation A (HSR)	2.20	
66+10						to RT Interlocking Site A - Alt 3	2.15	
77+33						Radio Tower Interlocking Site A - Alt 3	2.15	
91+34						to Caltrain PCEP TPS-2 - Alt 1	2.46	
150+00						to Substation A (HSR)	2.42	
						to RT Interlocking Site E - Alt 1	1.05	
						to RT Interlocking Site A - Alt 3	0.27	

**SAN FRANCISCO TO SAN JOSE EIR/S: VOLUME III
ALTERNATIVE B
BOOK B6
SHEET G**

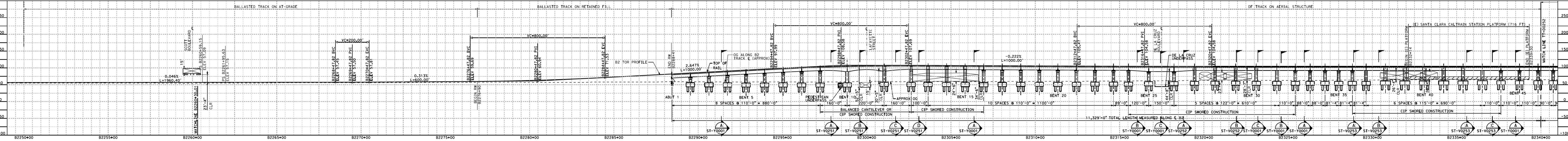
CITY OF SANTA CLARA



PLAN
SCALE: 1"=200'
100 0 100 200
1"=200' HOR



2 TRACK RETAINED FILL MSE WALL
SCALE: 1"=20'
"B" 565+00 TO "B" 610+00
"B" 2276+90 TO "B" 2288+44
"B" 2401+73 TO "B" 2409+43

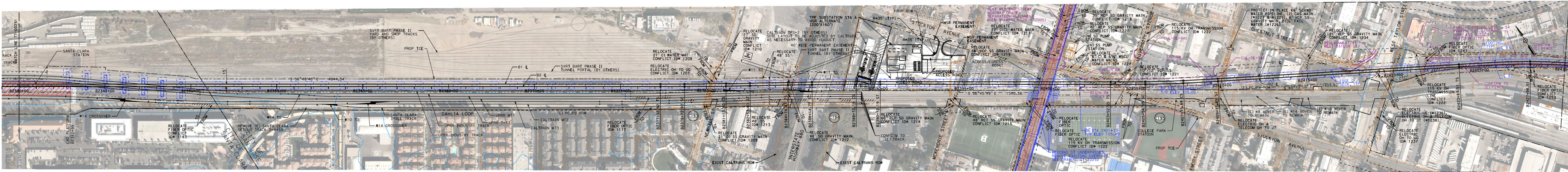


PROFILE
SCALE: 1"=200' HOR, 1"=100' VERT
50 0 50 100
1"=100' VERT

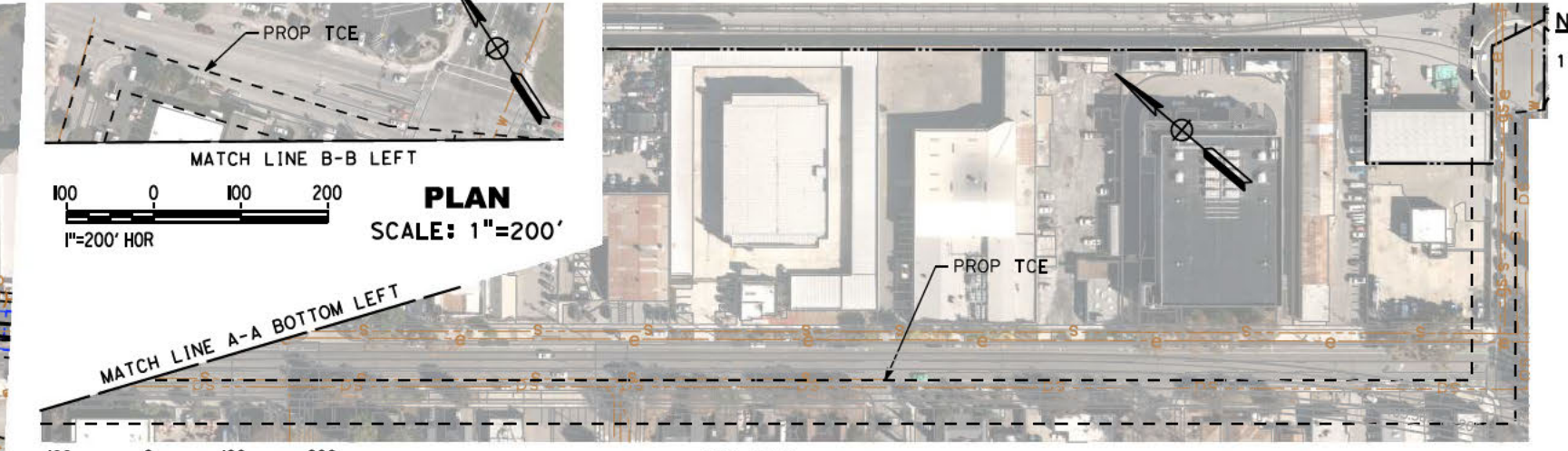
NOTE:
1. REFER TO GENERAL NOTES SHEETS GE-B0001 AND GE-B0002 FOR NOTES.

SAN FRANCISCO TO SAN JOSE EIR/S: VOLUME III
ALTERNATIVE B
BOOK B6
SHEET 114 OF 146

2021 RECORD SET PBD NOVEMBER 30, 2021 NOT FOR CONSTRUCTION	HNTB 1111 Broadway 9th Floor Oakland, CA 94607	CALIFORNIA High-Speed Rail Authority	CALIFORNIA HIGH-SPEED TRAIN PROJECT SAN JOSE TO MERCED SAN JOSE DIRIDON STATION APPROACH VIADUCT TO SCOTT BLVD COMPOSITE PLAN, PROFILE AND TYPICAL SECTIONS B2250+00 TO B2340+00	CONTRACT NO. HSR15-34 DRAWING NO. TT-D0251 SCALE AS SHOWN SHEET NO.
--	--	--	---	--



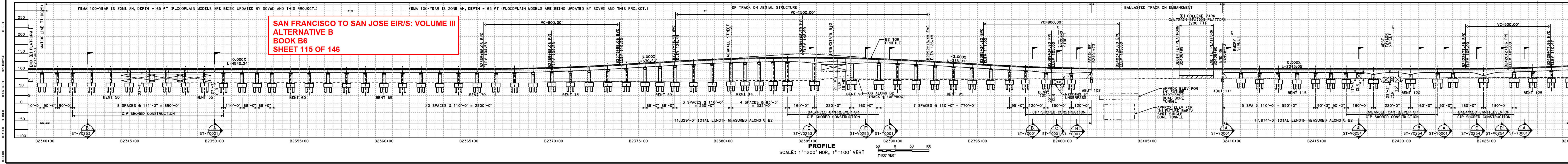
PLAN SCALE: 1"=200'



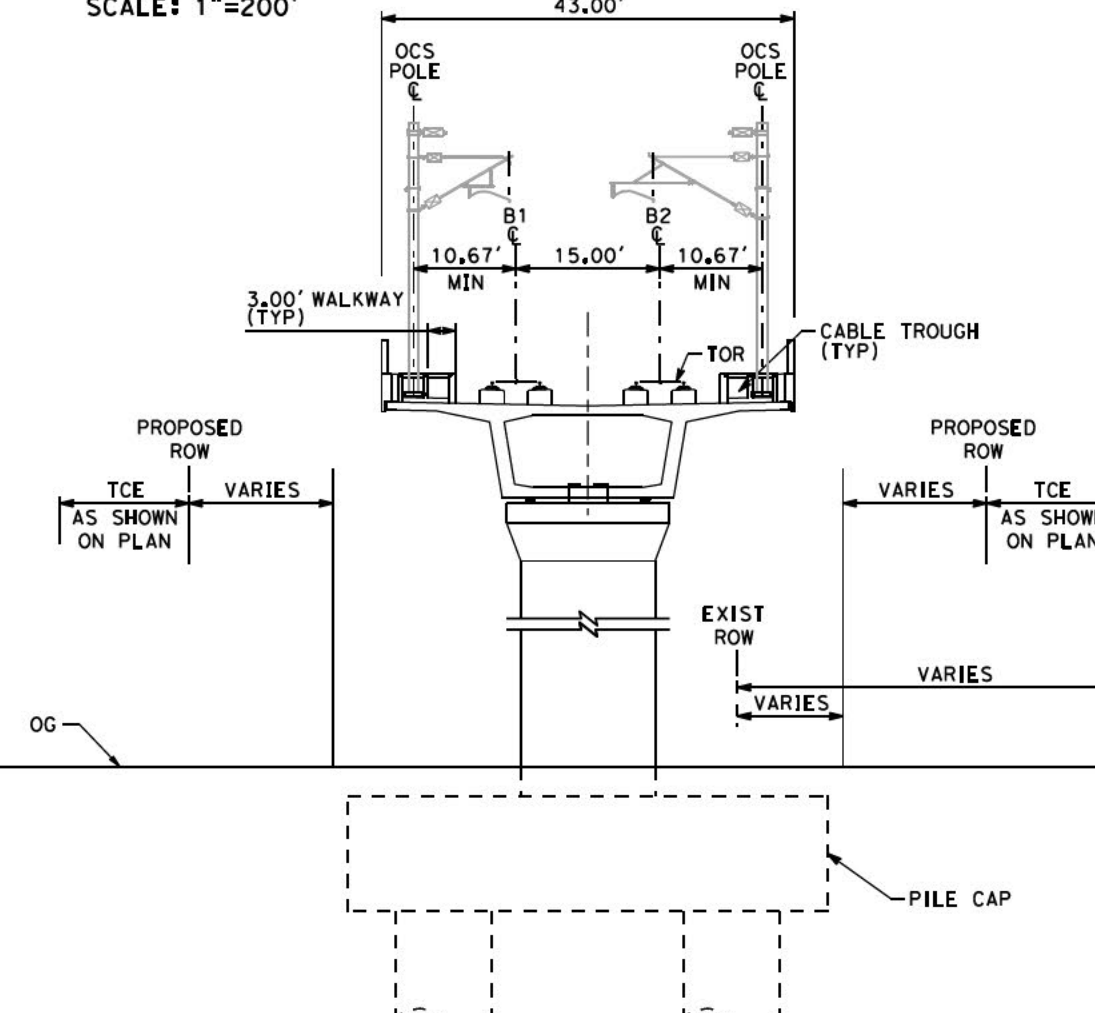
PLAN SCALE: 1"=200'

PLAN SCALE: 1"=200'

NOTE:
1. REFER TO GENERAL NOTES SHEETS GE-B0001 AND GE-B0002 FOR NOTES.



PROFILE SCALE: 1"=200' HOR, 1"=100' VERT



VIADUCT 2 TRACK (DIRIDON AREA) SCALE: 1"=20'

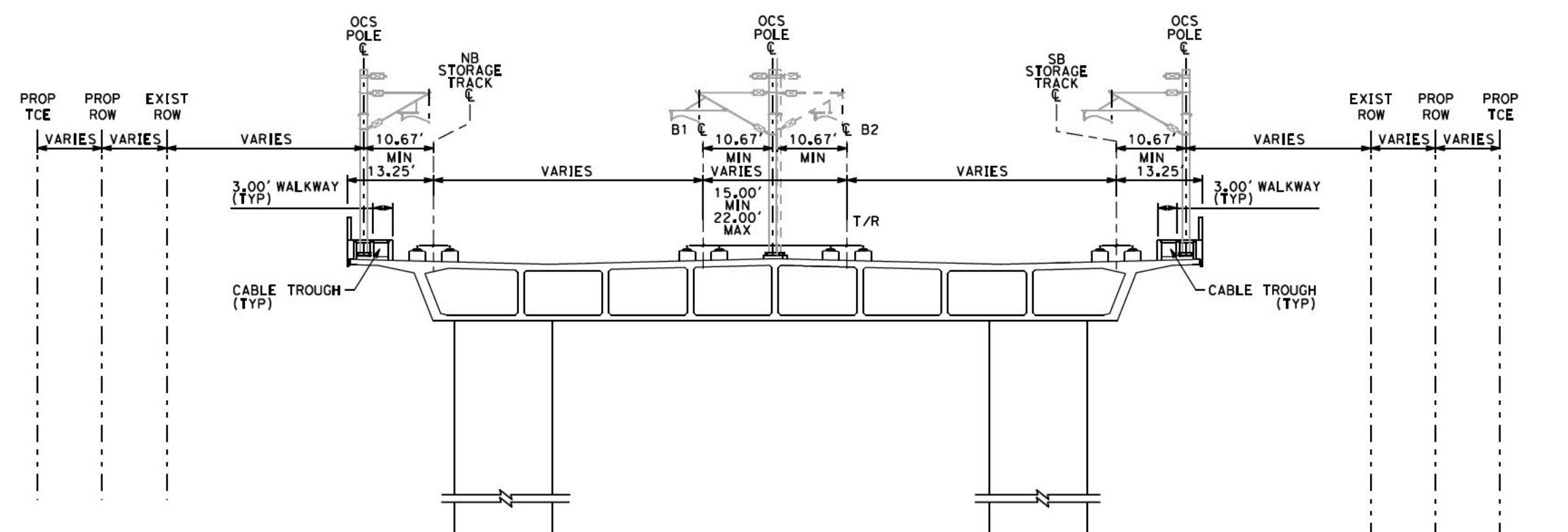
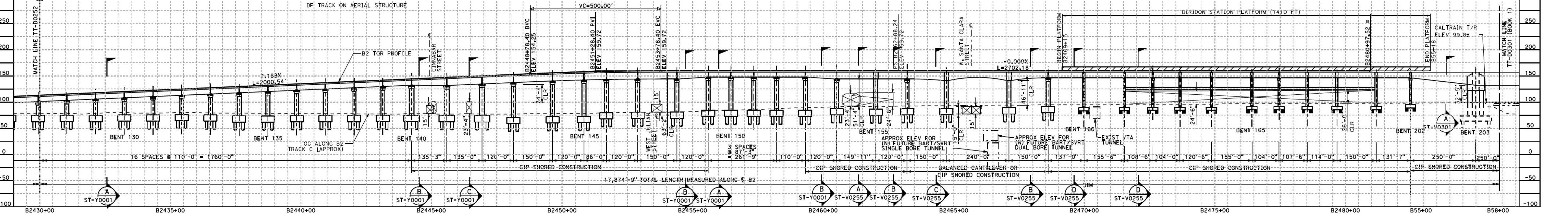
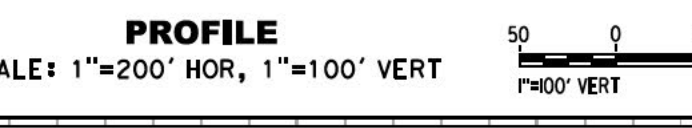
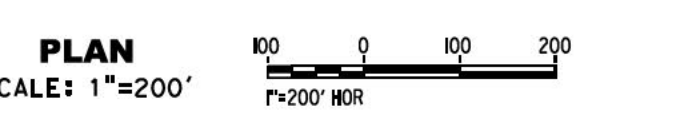
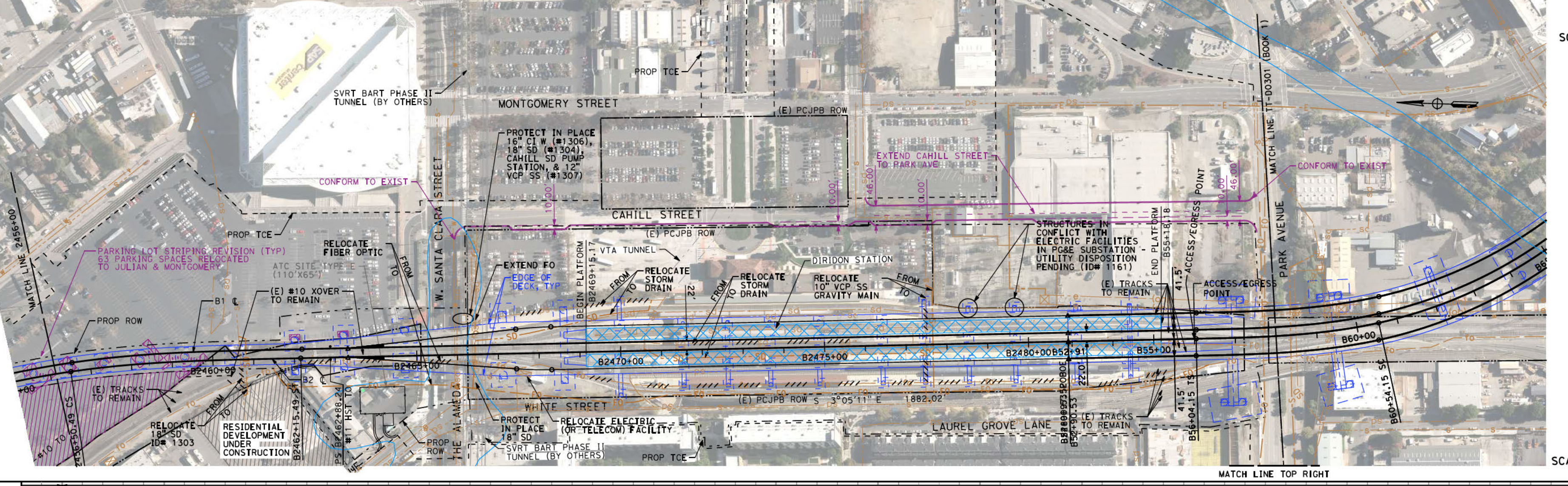
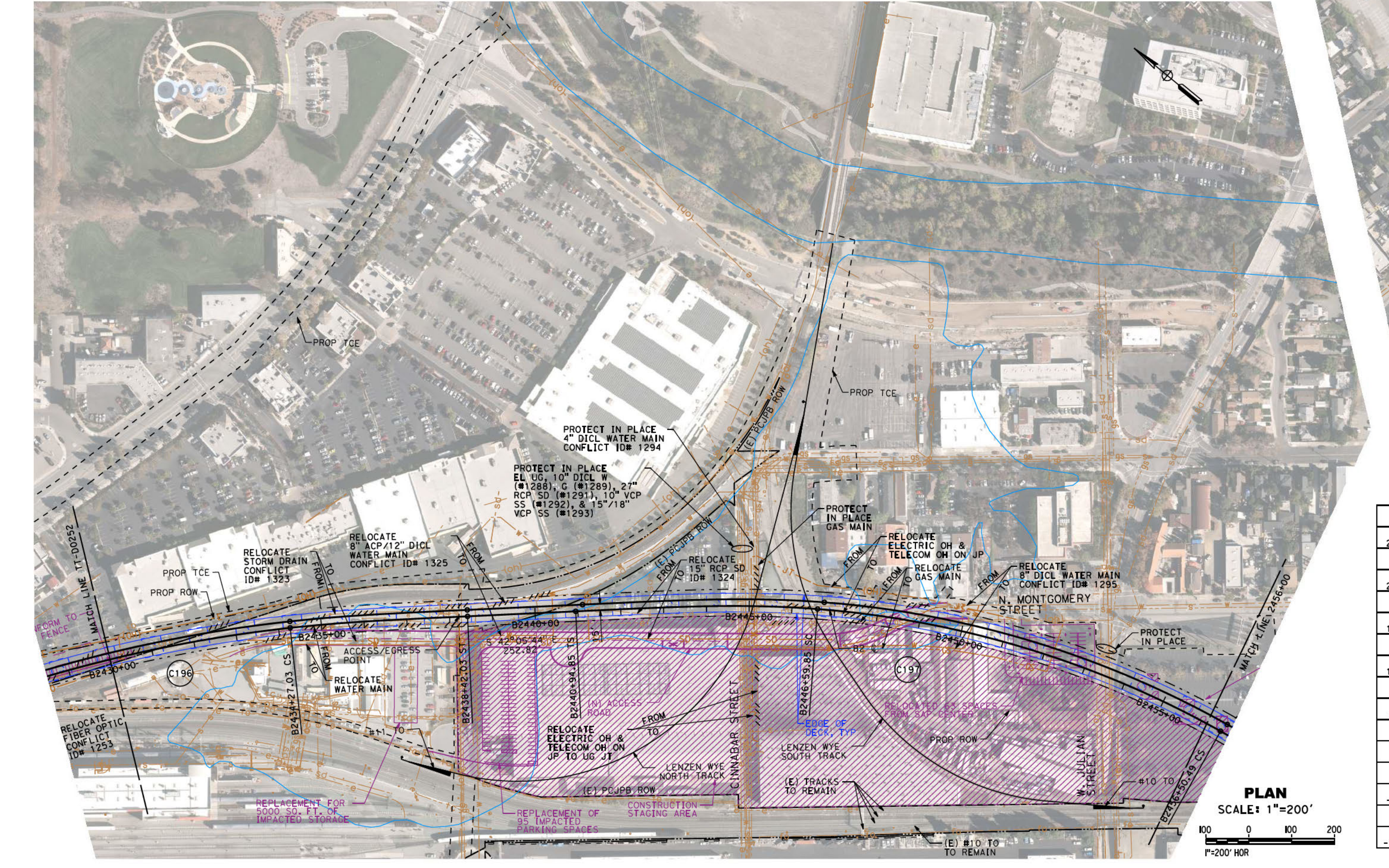
"B" 2288+44 TO "B" 2401+73
"B" 2409+43 TO "B" 2462+88

**SAN FRANCISCO TO SAN JOSE EIR/S: VOLUME III
ALTERNATIVE B
BOOK B6
SHEET 115 OF 146**

2021 RECORD SET PBD NOVEMBER 30, 2021 NOT FOR CONSTRUCTION		1111 Broadway 9th Floor Oakland, CA 94607		CALIFORNIA HIGH-SPEED TRAIN PROJECT SAN JOSE TO MERCED SAN JOSE DIRIDON STATION APPROACH VIADUCT TO SCOTT BLVD COMPOSITE PLAN, PROFILE AND TYPICAL SECTIONS B2340+00 TO B2430+00	CONTRACT NO. HSR15-34 DRAWING NO. TT-D0252 SCALE AS SHOWN SHEET NO.
--	--	---	--	---	--

SAN FRANCISCO TO SAN JOSE EIR/S: VOLUME III
ALTERNATIVE B
BOOK B6
SHEET 116 OF 146

NOTE:
1. REFER TO GENERAL NOTES SHEETS GE-B0001 AND GE-B0002 FOR NOTES.



SCALE: 1"=20'
"B" 1145+00 TO "B1" 1275+00
"B" 2462+88 TO "B" 2480+97

USER WATER #FILES #DETAILS #LAYOUTS #FILES

2021 RECORD SET PER NOVEMBER 30, 2021 NOT FOR CONSTRUCTION

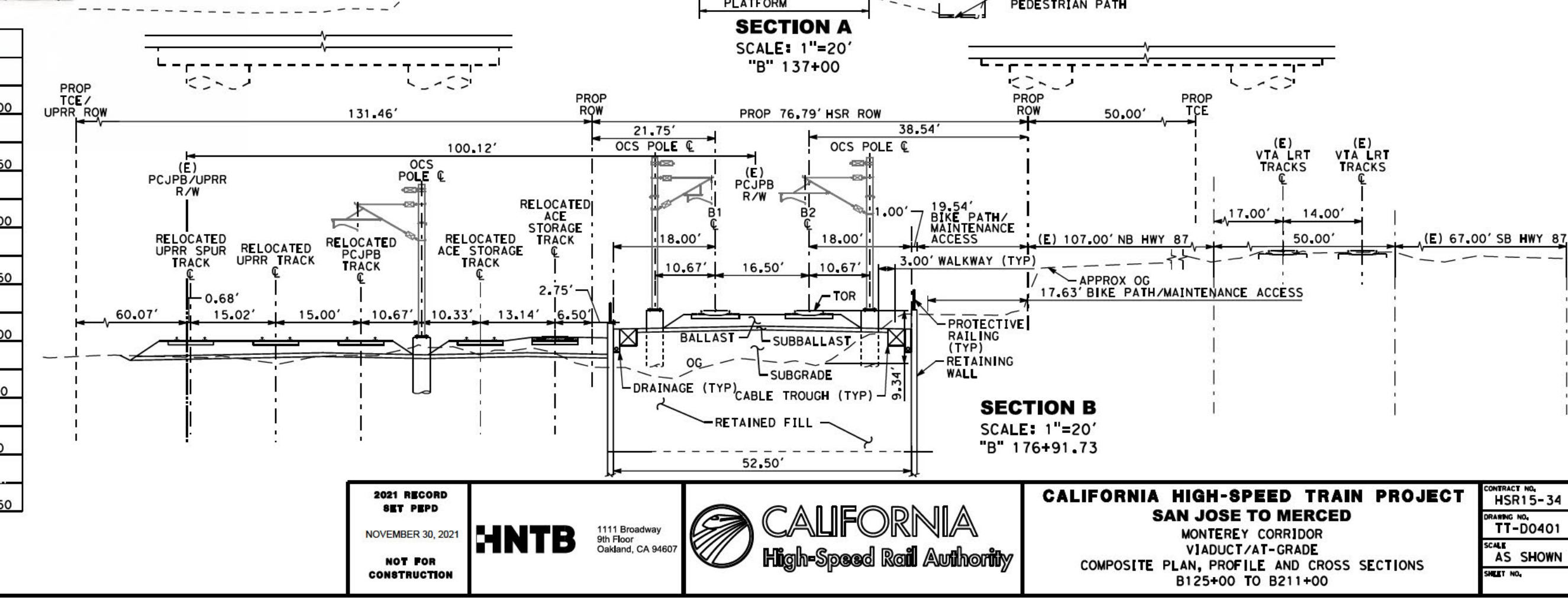
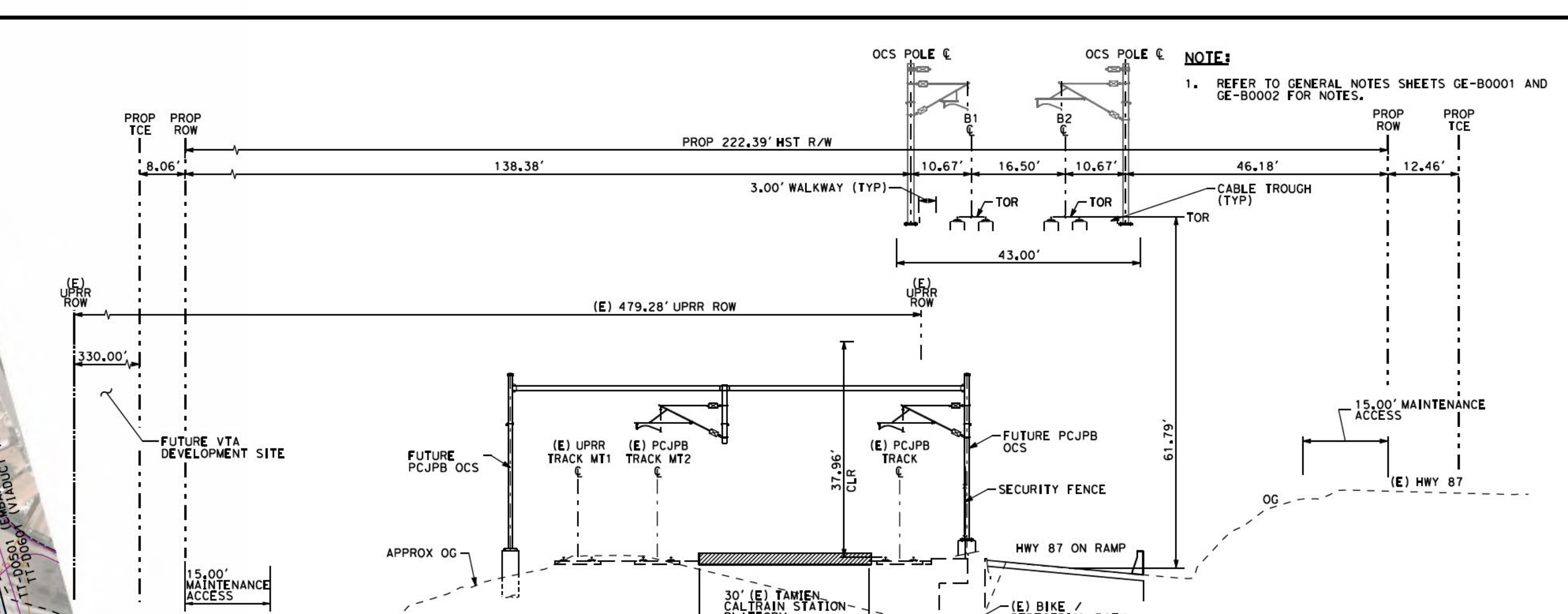
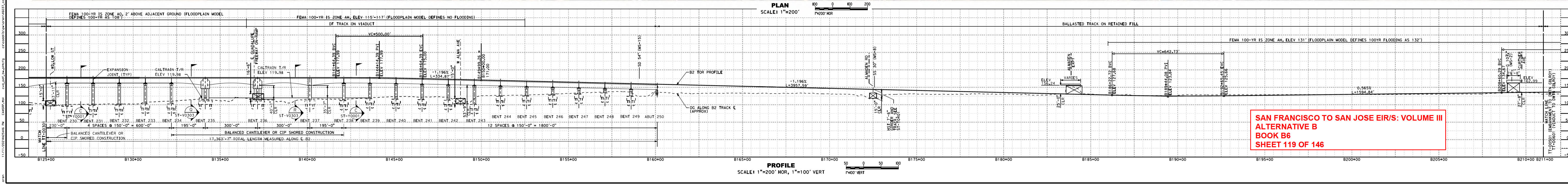
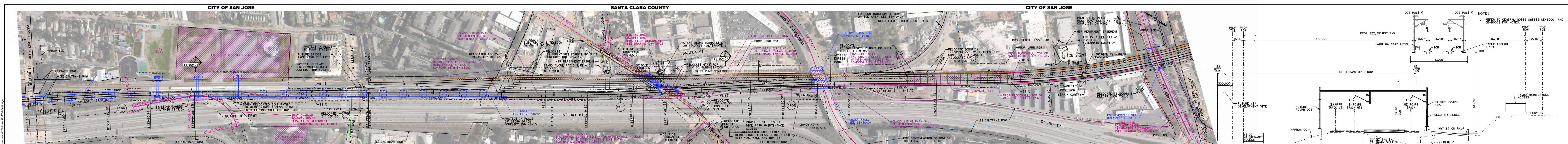


1111 Broadway 9th Floor Oakland, CA 94607



CALIFORNIA HIGH-SPEED TRAIN PROJECT
SAN JOSE TO MERCED
SAN JOSE DIRIDON STATION APPROACH
VIADUCT TO SCOTT BLVD
COMPOSITE PLAN, PROFILE AND TYPICAL SECTIONS
B2430+00 TO B58+00

CONTRACT NO. HSR15-34 DRAWING NO. TT-0253 SCALE AS SHOWN SHEET NO.

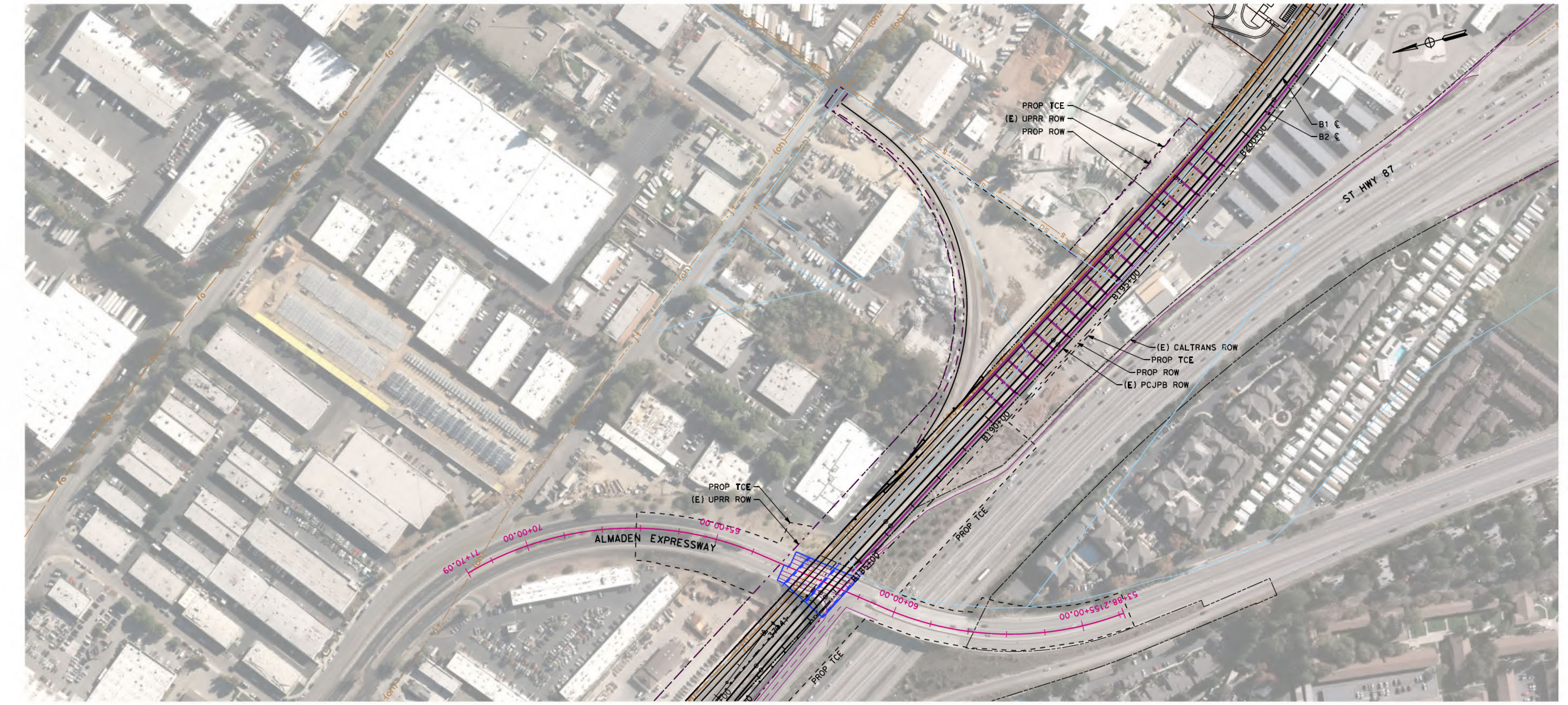


SAN FRANCISCO TO SAN JOSE EIR/S: VOLUME III
ALTERNATIVE B
BOOK B6
SHEET 119 OF 146

11/17/2021 09:54:56 AM C:\cnc\p01_2\dwg\hntb\119.dwg User: hntb\jg
 C:\cnc\p01_2\dwg\hntb\119.dwg User: hntb\jg

2021 RECORD SET NOVEMBER 30, 2021 NOT FOR CONSTRUCTION		1111 Broadway 9th Floor Oakland, CA 94607		CALIFORNIA HIGH-SPEED TRAIN PROJECT SAN JOSE TO MERCED MONTEREY CORRIDOR VIADUCT AT-GRADE COMPOSITE PLAN, PROFILE AND CROSS SECTIONS B125+00 TO B211+00	CONTRACT NO. HSR15-34 DRAWING NO. TT-D0401 SCALE AS SHOWN SHEET NO.
--	--	---	--	--	--

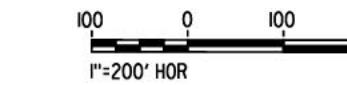
11/24/2021 09:55:57 AM C:\Users\jw\OneDrive\Documents\jw\working\468371\corridor\11596\11596-TT-Y0401.dgn



PROJECT BOUNDARY DETAIL
 AT STA B185+00 TO STA B195+00

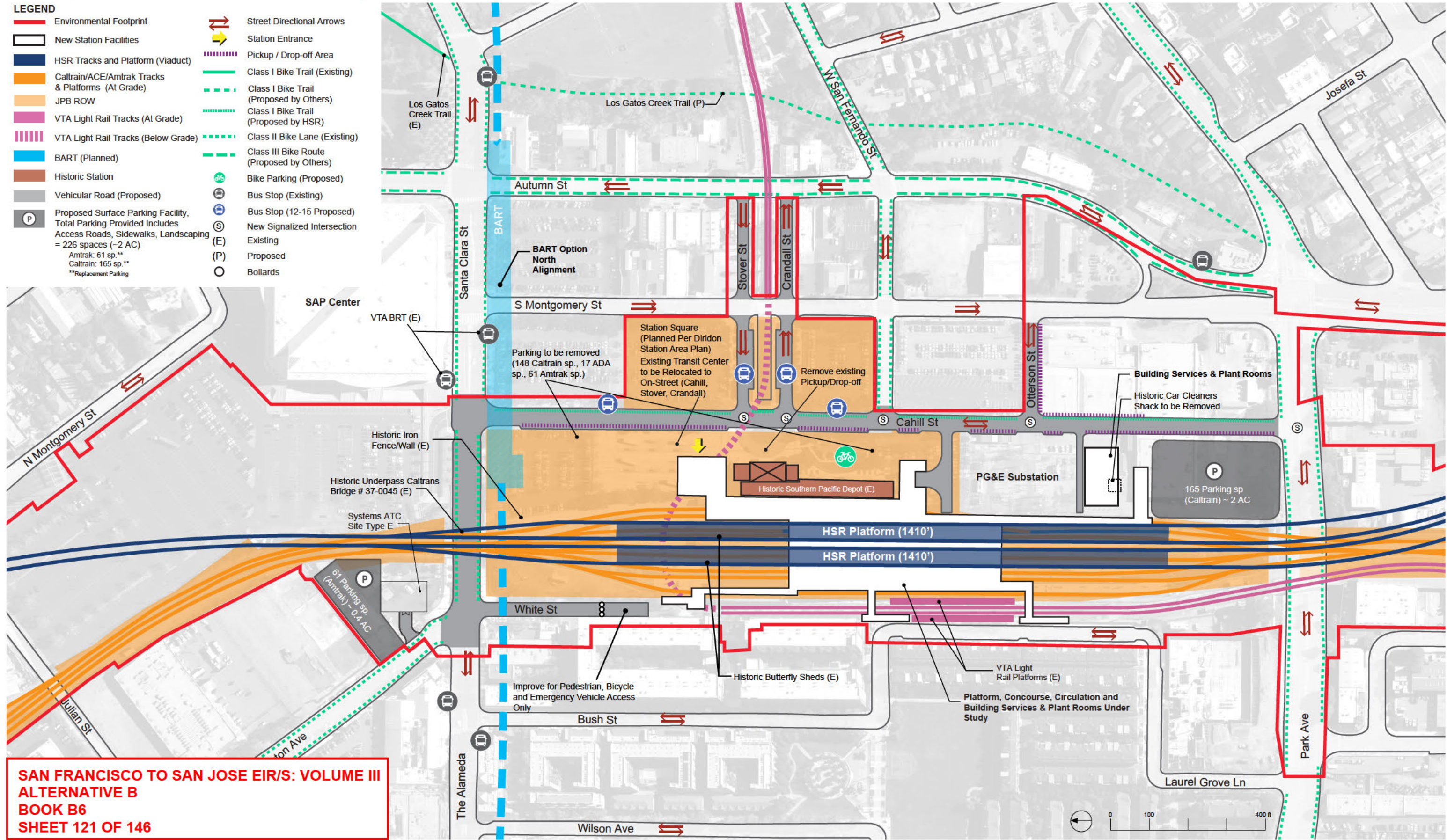
NOTES:
 1. REFER TO GENERAL NOTES SHEETS GE-B0001 AND GE-B0002 FOR NOTES.

SAN FRANCISCO TO SAN JOSE EIR/S: VOLUME III
ALTERNATIVE B
BOOK B6
SHEET 120 OF 146



2021 RECORD SET PER NOVEMBER 30, 2021 NOT FOR CONSTRUCTION	HNTB 1111 Broadway 9th Floor Oakland, CA 94607		CALIFORNIA HIGH-SPEED TRAIN PROJECT SAN JOSE TO MERCED MONTEREY CORRIDOR VIADUCT/AT-GRADE PROJECT BOUNDARY DETAILS	CONTRACT NO. HSR15-34 DRAWING NO. TT-Y0401 SCALE 1"=200' SHEET NO.
---	--	--	--	---

- LEGEND**
- Environmental Footprint
 - New Station Facilities
 - HSR Tracks and Platform (Viaduct)
 - Caltrain/ACE/Amtrak Tracks & Platforms (At Grade)
 - JPB ROW
 - VTA Light Rail Tracks (At Grade)
 - VTA Light Rail Tracks (Below Grade)
 - BART (Planned)
 - Historic Station
 - Vehicular Road (Proposed)
 - P Proposed Surface Parking Facility, Total Parking Provided Includes Access Roads, Sidewalks, Landscaping = 226 spaces (~2 AC)
Amtrak: 61 sp.**
Caltrain: 165 sp.**
**Replacement Parking
 - ↔ Street Directional Arrows
 - ↘ Station Entrance
 - Pickup / Drop-off Area
 - Class I Bike Trail (Existing)
 - Class I Bike Trail (Proposed by Others)
 - Class I Bike Trail (Proposed by HSR)
 - Class II Bike Lane (Existing)
 - Class III Bike Route (Proposed by Others)
 - ⊙ Bike Parking (Proposed)
 - B Bus Stop (Existing)
 - B Bus Stop (12-15 Proposed)
 - S New Signalized Intersection
 - (E) Existing
 - (P) Proposed
 - O Bollards



**SAN FRANCISCO TO SAN JOSE EIR/S: VOLUME III
ALTERNATIVE B
BOOK B6
SHEET 121 OF 146**

REV	DATE	BY	CHK	APP	DESCRIPTION

DESIGNED BY	
DRAWN BY	
CHECKED BY	
IN CHARGE	
DATE	

2021 RECORD SET PEPD
NOVEMBER 30, 2021
NOT FOR CONSTRUCTION

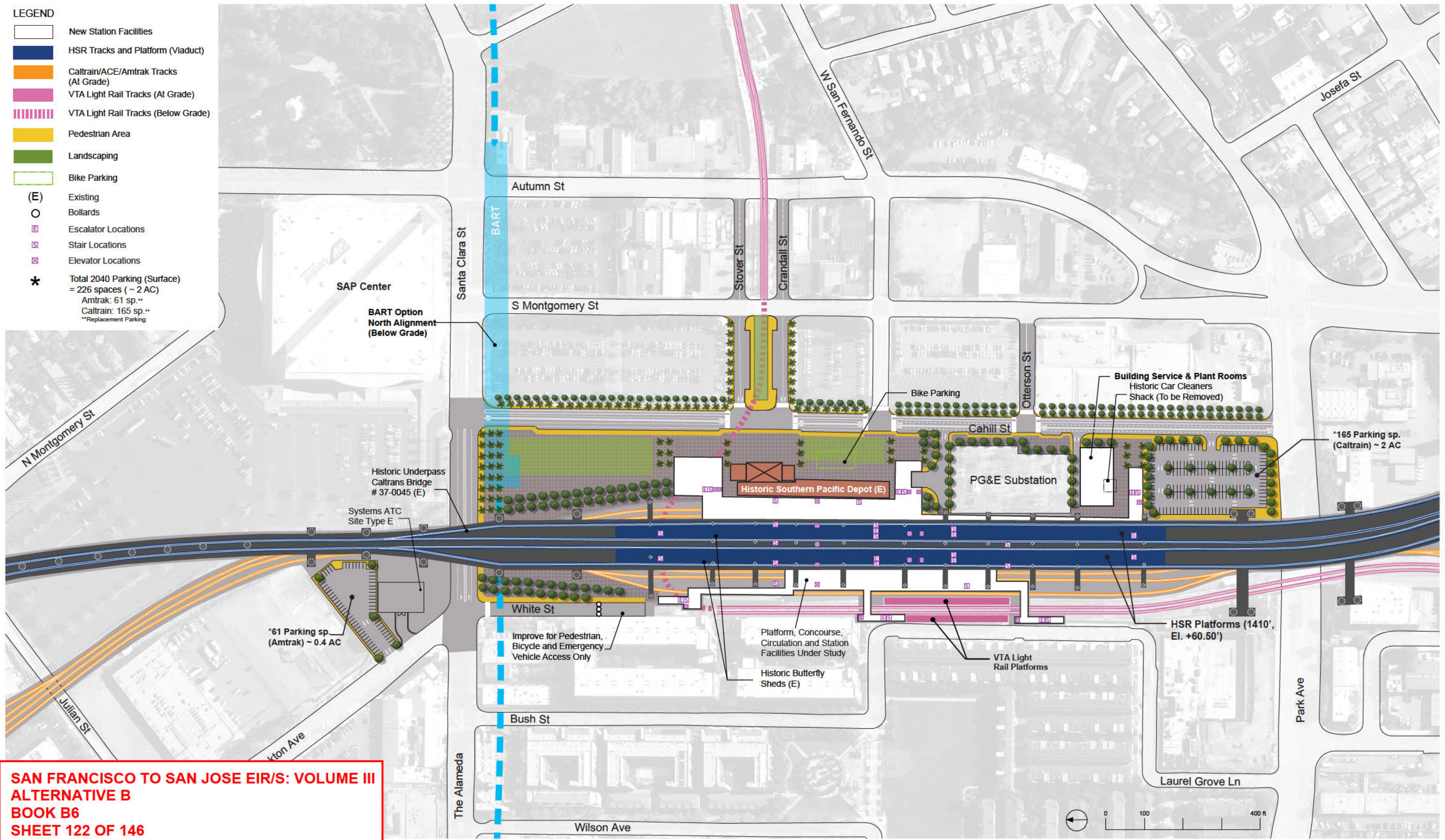
HNTB
1111 Broadway
9th Floor
Oakland, CA 94607

CALIFORNIA
High-Speed Rail Authority

CALIFORNIA HIGH-SPEED TRAIN PROJECT
SAN JOSE TO MERCED
SAN JOSE DIRIDON STATION APPROACH
VIADUCT TO I-880
SAN JOSE DIRIDON STATION
GENERAL SITE PLAN

CONTRACT NO.	HSR15-34
DRAWING NO.	AR-C0101
SCALE	AS SHOWN
SHEET NO.	

- LEGEND**
- New Station Facilities
 - HSR Tracks and Platform (Viaduct)
 - Caltrain/ACE/Amtrak Tracks (At Grade)
 - VTA Light Rail Tracks (At Grade)
 - VTA Light Rail Tracks (Below Grade)
 - Pedestrian Area
 - Landscaping
 - Bike Parking
 - (E) Existing
 - Bollards
 - Escalator Locations
 - Stair Locations
 - Elevator Locations
 - * Total 2040 Parking (Surface) = 226 spaces (~ 2 AC)
 Amtrak: 61 sp.**
 Caltrain: 165 sp.**
 **Replacement Parking



SAN FRANCISCO TO SAN JOSE EIR/S: VOLUME III
 ALTERNATIVE B
 BOOK B6
 SHEET 122 OF 146

REV	DATE	BY	CHK	APP	DESCRIPTION

DESIGNED BY	
DRAWN BY	
CHECKED BY	
IN CHARGE	
DATE	

2021 RECORD
 SET PEPP
 NOVEMBER 30, 2021
 NOT FOR
 CONSTRUCTION

HNTB

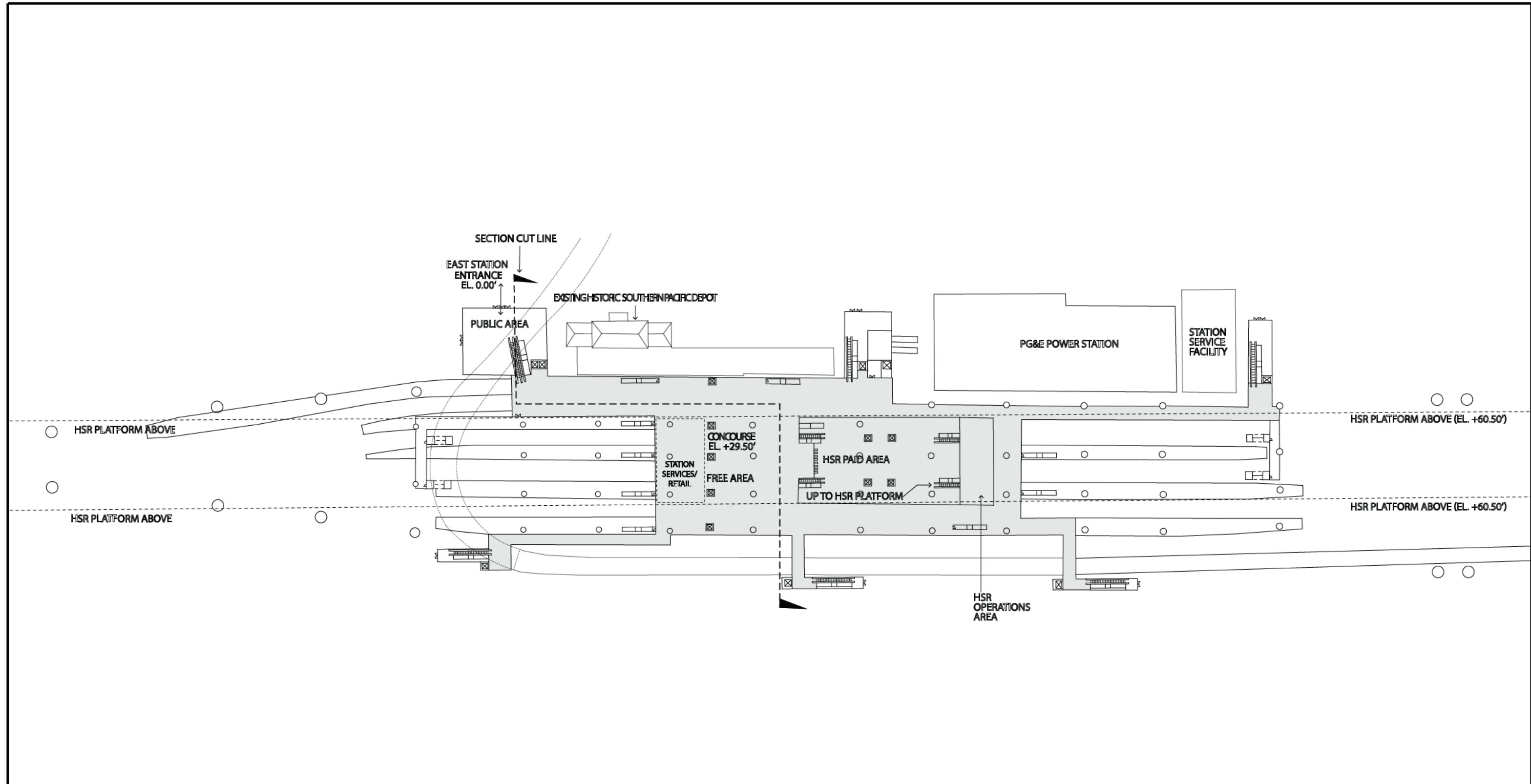
1111 Broadway
9th Floor
Oakland, CA 94607

CALIFORNIA

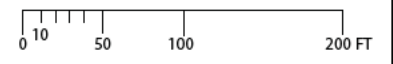
High-Speed Rail Authority

CALIFORNIA HIGH-SPEED TRAIN PROJECT
 SAN JOSE TO MERCED
 SAN JOSE DIRIDON STATION APPROACH
 VIADUCT TO I-880
 SAN JOSE DIRIDON STATION
 DETAILED SITE PLAN

CONTRACT NO.	HSR15-34
DRAWING NO.	AR-C0102
SCALE	AS SHOWN
SHEET NO.	



**SAN FRANCISCO TO SAN JOSE EIR/S: VOLUME III
 ALTERNATIVE B
 BOOK B6
 SHEET 123 OF 146**



REV	DATE	BY	CHK	APP	DESCRIPTION

DESIGNED BY	
DRAWN BY	
CHECKED BY	
IN CHARGE	
DATE	

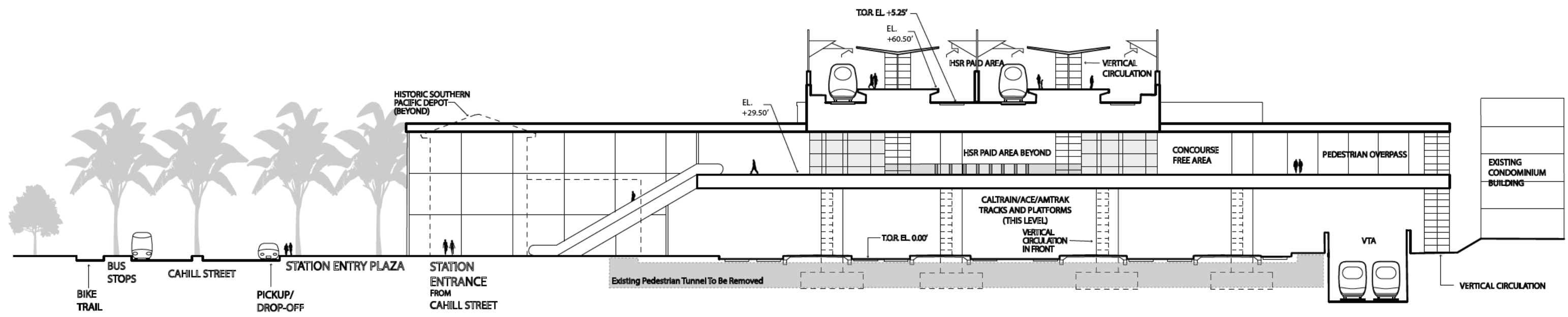
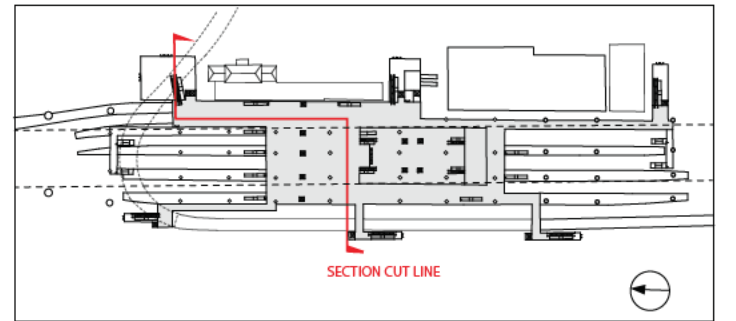
**2021 RECORD
 SET PEPP**
 NOVEMBER 30, 2021
**NOT FOR
 CONSTRUCTION**

HNTB 1111 Broadway
 9th Floor
 Oakland, CA 94607

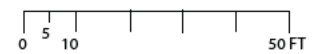


**CALIFORNIA HIGH-SPEED TRAIN PROJECT
 SAN JOSE TO MERCED**
 SAN JOSE DIRIDON STATION APPROACH
 VIADUCT TO I-880
 SAN JOSE DIRIDON STATION
 CONCOURSE PLAN

CONTRACT NO.	HSR15-34
DRAWING NO.	AR-F0101
SCALE	AS SHOWN
SHEET NO.	



**SAN FRANCISCO TO SAN JOSE EIR/S: VOLUME III
ALTERNATIVE B
BOOK B6
SHEET 124 OF 146**



REV	DATE	BY	CHK	APP	DESCRIPTION

DESIGNED BY	
DRAWN BY	
CHECKED BY	
IN CHARGE	
DATE	

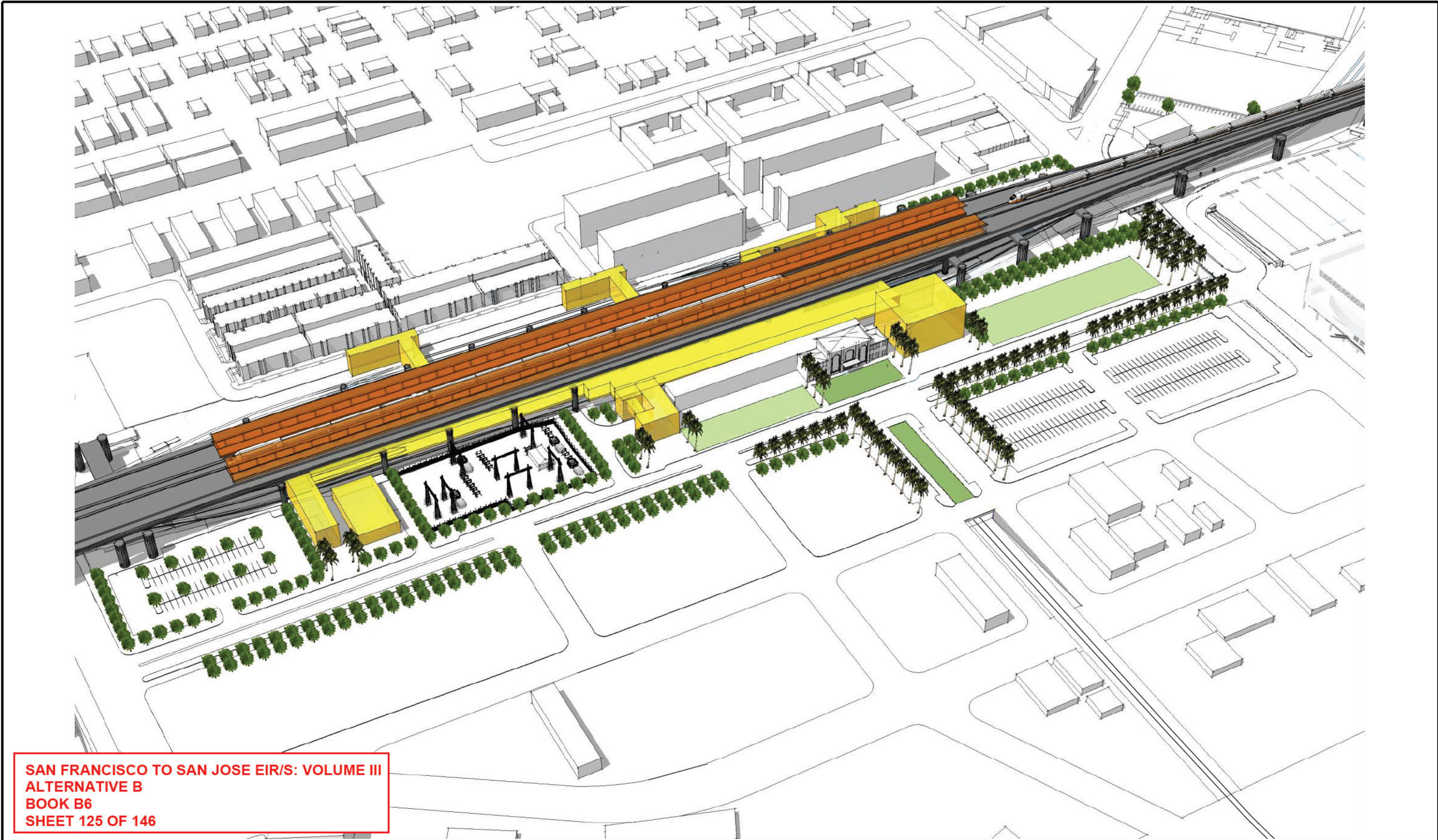
2021 RECORD SET PEPP
NOVEMBER 30, 2021
NOT FOR CONSTRUCTION

HNTB 1111 Broadway
9th Floor
Oakland, CA 94607

CALIFORNIA
High-Speed Rail Authority

CALIFORNIA HIGH-SPEED TRAIN PROJECT
SAN JOSE TO MERCED
SAN JOSE DIRIDON STATION APPROACH
VIADUCT TO I-880
SAN JOSE DIRIDON STATION
SECTION

CONTRACT NO.	HSR15-34
DRAWING NO.	AR-Y0101
SCALE	AS SHOWN
SHEET NO.	



**SAN FRANCISCO TO SAN JOSE EIR/S: VOLUME III
 ALTERNATIVE B
 BOOK B6
 SHEET 125 OF 146**

REV	DATE	BY	CHK	APP	DESCRIPTION

DESIGNED BY
 DRAWN BY
 CHECKED BY
 IN CHARGE
 DATE

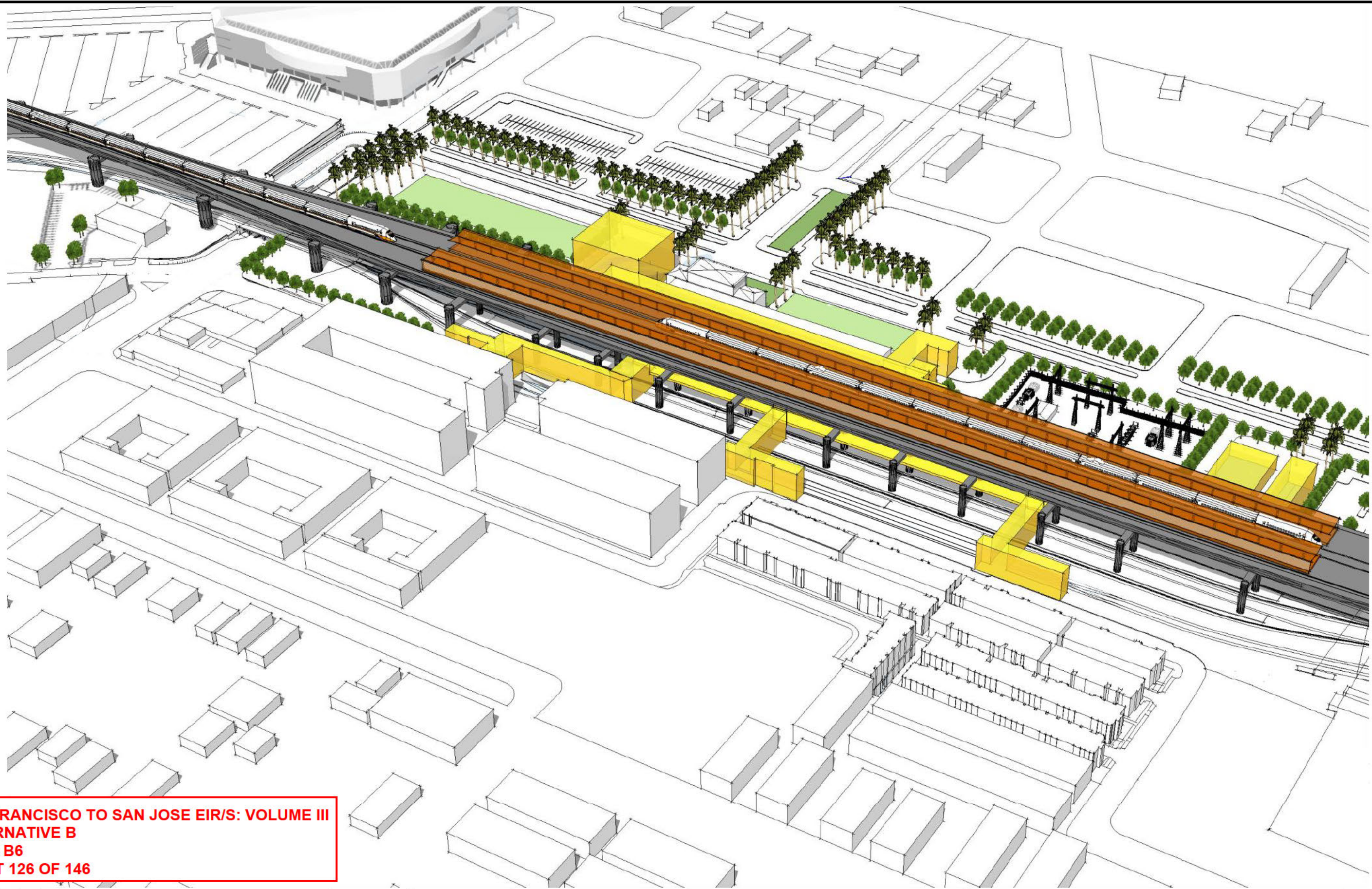
**2021 RECORD
 SET PEPP**
 NOVEMBER 30, 2021
**NOT FOR
 CONSTRUCTION**

HNTB 1111 Broadway
 9th Floor
 Oakland, CA 94607

CALIFORNIA
 High-Speed Rail Authority

CALIFORNIA HIGH-SPEED TRAIN PROJECT
SAN JOSE TO MERCED
 SAN JOSE DIRIDON STATION APPROACH
 VIADUCT TO I-880
 SAN JOSE DIRIDON STATION
 MASSING DIAGRAM 1

CONTRACT NO.
HSR15-34
 DRAWING NO.
AR-Y0102
 SCALE
AS SHOWN
 SHEET NO.



**SAN FRANCISCO TO SAN JOSE EIR/S: VOLUME III
 ALTERNATIVE B
 BOOK B6
 SHEET 126 OF 146**

REV	DATE	BY	CHK	APP	DESCRIPTION

DESIGNED BY
 DRAWN BY
 CHECKED BY
 IN CHARGE
 DATE

**2021 RECORD
 SET PEPP**
 NOVEMBER 30, 2021
**NOT FOR
 CONSTRUCTION**

HNTB 1111 Broadway
 9th Floor
 Oakland, CA 94607





CALIFORNIA HIGH-SPEED TRAIN PROJECT
SAN JOSE TO MERCED
 SAN JOSE DIRIDON STATION APPROACH
 VIADUCT TO I-880
 SAN JOSE DIRIDON STATION
 MASSING DIAGRAM 2

CONTRACT NO.
HSR15-34
 DRAWING NO.
AR-Y0103
 SCALE
AS SHOWN
 SHEET NO.

Diridon Station Programming & Area Requirements Table				
Category	Description	Formula	Requirement Area / Unit	Comments
Daily Peak Ridership Boardings 2040	Long Distance	15,430	15,430	Planning Memorandum Station Boardings, Access, Egress and Parking INST-PLAN-05
P360B	Highest Daily Boardings x Conversion Factor for Boardings = 6 Hour Boardings	Highest Daily Boardings x 0.67=P360B 6,000 x 0.67	10,338	California HSTP Design Criteria, Chapter 14-Stations, Oct 2015, Working Draft, Rev. 2 Table 14-1 Passenger Ridership Assumptions Table 14-3 Concourse Circulation and Waiting Areas
P360A	Peak 6 Hour Boardings x Conversion Factor for Alightings = 6 Hour Alightings	P360B x 0.75=P360A 10,385 x 0.75	7,754	
P60B	Peak 6 Hour Boardings x Peak Hour Conversion Factor for Boardings = Peak Hour Boardings	P360B x 0.17=P60B 10,385 X 0.17	1,757	
P60A	Peak Hour Boardings x Peak Hour Conversion Factor for Alightings = Peak Hour Alightings	P60B x 0.75=P60A 1,765 x 0.75	1,318	
P30B	Peak Hour Boardings /2 x Surge Factor = Peak 30 Minute Boardings	(P60B /2) x 1.2=P30B (1,765/2) x 1.2	1,054	
P30A	Peak 30 Minute Boardings x Conversion Factor = Peak 30 Minute Alightings	P30B x 0.075=P30A 1,059 x 0.75	791	
P15B	Peak Hour Boardings / 4 x Surge Factor = Peak 15 Minute Boardings	(P60B /4) x 1.3= P15B (1,765 /4) x 1.3	571	
P15A	Peak 15 Minute Boardings x Conversion Factor=Peak 15 Minute Alightings	P15B x 0.75=P15A 574 x 0.75	428	
P5B	Peak Hour Boardings /12 x Surge Factor = Peak 5 Minute Boardings	(P60B /12) x 1.4= P5B (1,765 /12) x 1.4	205	
P5A	Peak 5 Minute Boardings x Conversion Factor = Peak 5 Minute Alightings	P5B x 0.75=P5A 206 x 0.75	154	
P1B	Peak Hour Boardings /60 x Surge Factor=Peak 1 Minute Boardings	(P60B /60) x 1.5=P1B (1,765/60) x 1.5	44	
P1A	Peak 1 Minute Boardings x Conversion Factor for Alightings=Peak 1 Minute Alightings	P1Bx0.75 17x0.75	33	
Cf	Unobstructed Net Concourse Free Public Area Circulation Width	(P15B+P15A)/(15x10 people/ft/min) or 16 ft min. (222+167)/(15x10 people/ft/min)	16	
Wf	Net Waiting Area in Concourse Free Public Area	((P15Bx1.1) + (P15Ax0.1))x 14 SF ((222x1.1) + (167x0.1)) x 14	9,396	
Public Restrooms	Women + Men + Unisex Accessible Restroom for Each Group	(P15B+P15A)/ 2 (222+167) /2	499.8	
Passenger Amenity Space Allocation	Station Design Target Year Daily Boardings	9,000	9,000	California HSTP Design Criteria, Chapter 14 - Stations, March Rev. 2 14.3.5.5 Station Public Amenity (Commercial) Spaces, Table 14-7
Ticket Windows	Station Quantity	P60B/600 1765/600	3	
Ticket Vending Machines		P60B/280 1765/280	6	14.3.5.6
Value Added Machines	2 Per Each Fare Paid Area		3	14.3.5.6
Fare Gates		P15A /50 ppm 430/50 One additional gate to be provided if under 10	9	14.3.5.6 D
Emergency Gates			2	14.3.3.6
Sr	Seating at Concourse Fare Free Waiting Area	((P15B x 1.1) + (P15A x 0.1)) x 0.25	1,581	Table 14-22: Station Seating

**SAN FRANCISCO TO SAN JOSE EIR/S: VOLUME III
ALTERNATIVE B
BOOK B6
SHEET 127 OF 146**

					DESIGNED BY	2021 RECORD SET PEPD NOVEMBER 30, 2021 NOT FOR CONSTRUCTION	 1111 Broadway 9th Floor Oakland, CA 94607		CALIFORNIA HIGH-SPEED TRAIN PROJECT SAN JOSE TO MERCED SAN JOSE DIRIDON STATION APPROACH VIADUCT TO I-880 SAN JOSE DIRIDON STATION FACILITY SIZING TABLE			CONTRACT NO. HSR15-34
					DRAWN BY				DRAWING NO. AR-Y0104			
					CHECKED BY				SCALE AS SHOWN			
					IN CHARGE				SHEET NO.			
					DATE							
REV	DATE	BY	CHK	APP	DESCRIPTION							



Diridon Station Facility Sizing Table

Projected Daily Ridership (2040) 15,430, based on CHSR Planning Memorandum Station Boardings, Access, Egress and Parking

STATION TYPE: Intermediate, Full-Service, Small: based on Chapter 14 Stations Design Criteria, Table 14-3

	Function Name	Area (SF)	EF	Required Area (SF)	Formula	Chapter 14: Stations	Comments
Concourse Public Free Areas	Station Concourse (Free Area - Main Hall)	35,984	1.2	29,987	P15 x 30 SF /person 389 x 30	14.3.5.3	P15 = P15 B + P15 A = 389 Using Memorandum dated May 10, 2016, Attachment E Facility Sizing Table Example
	Entrances					14.3.5.2	# TBD, 15 ft width at least one entrance
	Mezzanine						Included with the concourse Area
	Passenger Waiting Area	11,275	1.2	9,396	((P15B x 1.1)+(P15Ax0.1)) x 14 SF	14.3.5.3.B.C Table 14-3	California HSTP Design Criteria, Chapter 14-Stations, March 2016, Rev. 2, Table 14-1 Passenger Ridership Assumptions, Table 14-3 Concourse Circulation and Waiting Areas
	Ticket Vending Machines (TVM)	188	1.2	6	P60B/280, 1765/280	Table 14-5	Includes queuing space
	Baggage Storage (Concessionaire)	TBD					TBD
	Retail (Concessionaire)	10,800	1.2	9,000		Table 14-7	More than 15,000 daily boardings
	Restaurant (Concessionaire)	0				Table 14-7	Included in the 9,000 SF
	Food Service (Concessionaire)	0				Table 14-7	Included in the 9,000 SF
	Business Lounge	720	1.2	600		14.3.5.7.C	Without restrooms
	Public Restrooms	2,448	1.2	2040	CBC 2016, CPC 2016 (P15B + P15A)/2	14.3.5.4	A-3 assembly occupancy, 502 male, 502 female, 2 unisex Female: 7 water closets, 5 lavatories Male: 3 water closets, 4 urinal, 5 lavatories 2 drinking fountains
Janitor Closets	288	1.2	240	60 x 4	14.3.7.1.D	Located in concourse free area, platform, and each restroom.	
Standard Areas	Ticket Window Counters	879	2	150	Window Counter 5F min. 75 SF/window (2 windows) P60B/600, 1,765/600	14.3.5.6.B 14.3.5.7A	
	Station Patron Information Booth	100	1	100	Standard Unit (Kiosk)	14.3.5.7.B	
	Red "Cap" Booth						TBD
Security	Police Office	1,000	2	500		14.3.6.2.A	
	Police Restrooms + Lockers			TBD	CBC 2016, CPC 2016		
	Janitor Closets	120	2	60		14.3.7.1.D	
	Security Guard Office	288	2	144		14.3.6.2.B	

**SAN FRANCISCO TO SAN JOSE EIR/S: VOLUME III
ALTERNATIVE B
BOOK B6
SHEET 128 OF 146**

					DESIGNED BY	2021 RECORD SET PEPD NOVEMBER 30, 2021 NOT FOR CONSTRUCTION	 1111 Broadway 9th Floor Oakland, CA 94607		CALIFORNIA HIGH-SPEED TRAIN PROJECT SAN JOSE TO MERCED SAN JOSE DIRIDON STATION APPROACH VIADUCT TO I-880 SAN JOSE DIRIDON STATION FACILITY SIZING TABLE			CONTRACT NO. HSR15-34
					DRAWN BY							DRAWING NO. AR-Y0105
					CHECKED BY							SCALE AS SHOWN
					IN CHARGE							SHEET NO.
					DATE							
REV	DATE	BY	CHK	APP	DESCRIPTION							



Diridon Station Facility Sizing Table

Projected Daily Ridership (2040) 15,430, based on CHSR Planning Memorandum Station Boardings, Access, Egress and Parking

STATION TYPE: Intermediate, Full-Service, Small: based on Chapter 14 Stations Design Criteria, Table 14-3

	Function Name	Area (SF)	EF	Required Area (SF)	Formula	Chapter 14: Stations	Comments
Non-Public Station Staff Only	Ticket Administration, Handling & Storage	520	2	260		14.3.5.6.B 14.3.5.7 14.3.6.2.C-D	Ticket Administration Office 75 SF /window
	Lost & Found & First Aid Room	400	2	200	100 SF x (2)	14.3.6.1.E-F	
	Station Control Room (SCR)	2,200	2	1,100		14.3.6.2.E	
	Main Station Computer Room	1,000	2	500		14.3.6.2.F	
	Temporary Incident Command Post (CP)	600	2	300		14.3.6.2.G	
	Station Operation Room (SOR)	2,200	2	1,100		14.3.6.2.H	
	SOR Dedicated Computer Room, SOR Workroom	1,000	2	500		14.3.6.2.F-H	
	Main OCC Computer Room	1,000	2	500		14.6.3.2.F	
	Staff Lockers, Showers, Restrooms	TBD	2		CBC 2016	14.3.6.1.I	Will need number of staff projection to determine SF required.
	Janitor Closets	120	2	60		14.3.7.1.C	
	Staff Breakroom & Meeting Rooms	800	2	400	200 SF x (2)	14.3.6.1.G-H	200 SF min or as req to provide 25 SF /staff
	Station Manager Office	288	2	144		14.3.6.1.A	
	Facility Manager's Office	288	2	144		14.3.6.1.C	
	Administration Office Space	600	2	300		14.3.6.1.B	
	Facilities Maintenance Office	660	2	330		14.3.6.1.C	
	Station General Storage Rooms	400	2	200		14.3.7.1.E	Add 60 SF for miscellaneous storage if required.
	Platform Area Op. Mgt. Booth	100	1	100	Standard Unit	14.3.6.2.I	One OMB to be provided on each platform.
	Train Control /Communications Room	3,830	2	1,915		14.3.7.2	Table 14-8, for the train control and communications equipment.
	Entrance Facility Room	480	2	240		14.3.7.2	Table 14-8, for entry of service cabling into the building. May be co-located with the TCC room.
	3rd Party Telecom Room	240	2	120		14.3.7.2	Table 14-8, for local telephone company.
Communications Closets	260	2	130	130 SF each	14.3.7.2	Table 14-8, number TBD. Locate close to center of each 10,000 SF of station floor area.	
Renewable Energy/Stormwater			TBD				
Building Services & Plant Rooms	Mech., Elec. & Plumbing Rooms			TBD	Gross Factor	14.3.7.2	
	Battery Room	800	2	400	200 SF x (2)	14.3.7.4.B	Two rooms required, including one room at each end of station for low voltage (LV) batteries.
	UPS Room	3,600	2	1,800	900 SF x (2)	14.3.7.4.C	Two rooms required, one at each end of station for LV distribution, transforming, EP
	Fire Detection & Protection Rooms			TBD	Gross Factor	14.3.7.6	
Maint. Support Areas	Main Station Recycling/Refuse	300	2	150	150 SF min.	14.3.7.1.A	
	Secondary Station Recycling	120	2	60		14.3.7.1.C	
	Landscape Maintenance Room	200	2	100		14.3.7.1.F	
	Loading Dock			TBD		14.3.7.1.H	
TOTAL AREA - WEST ENTRANCE & CONCOURSE:		86,096		SF			

**SAN FRANCISCO TO SAN JOSE EIR/S: VOLUME III
ALTERNATIVE B
BOOK B6
SHEET 129 OF 146**

<table border="1"> <tr><td>DESIGNED BY</td><td></td></tr> <tr><td>DRAWN BY</td><td></td></tr> <tr><td>CHECKED BY</td><td></td></tr> <tr><td>IN CHARGE</td><td></td></tr> <tr><td>DATE</td><td></td></tr> </table>					DESIGNED BY		DRAWN BY		CHECKED BY		IN CHARGE		DATE		<p>2021 RECORD SET PEPD</p> <p>NOVEMBER 30, 2021</p> <p>NOT FOR CONSTRUCTION</p>	 <p>1111 Broadway 9th Floor Oakland, CA 94607</p>	 <p>CALIFORNIA High-Speed Rail Authority</p>	<p>CALIFORNIA HIGH-SPEED TRAIN PROJECT SAN JOSE TO MERCED SAN JOSE DIRIDON STATION APPROACH VIADUCT TO I-880 SAN JOSE DIRIDON STATION FACILITY SIZING TABLE</p>	<p>CONTRACT NO. HSR15-34</p> <p>DRAWING NO. AR-Y0106</p> <p>SCALE AS SHOWN</p> <p>SHEET NO.</p>
DESIGNED BY																			
DRAWN BY																			
CHECKED BY																			
IN CHARGE																			
DATE																			
REV	DATE	BY	CHK	APP	DESCRIPTION														

Diridon Station Facility Sizing Table

Projected Daily Ridership (2040) 15,430, based on CHSR Planning Memorandum Station Boardings, Access, Egress and Parking

STATION TYPE: Intermediate, Full-Service, Small: based on Chapter 14 Stations Design Criteria, Table 14-3

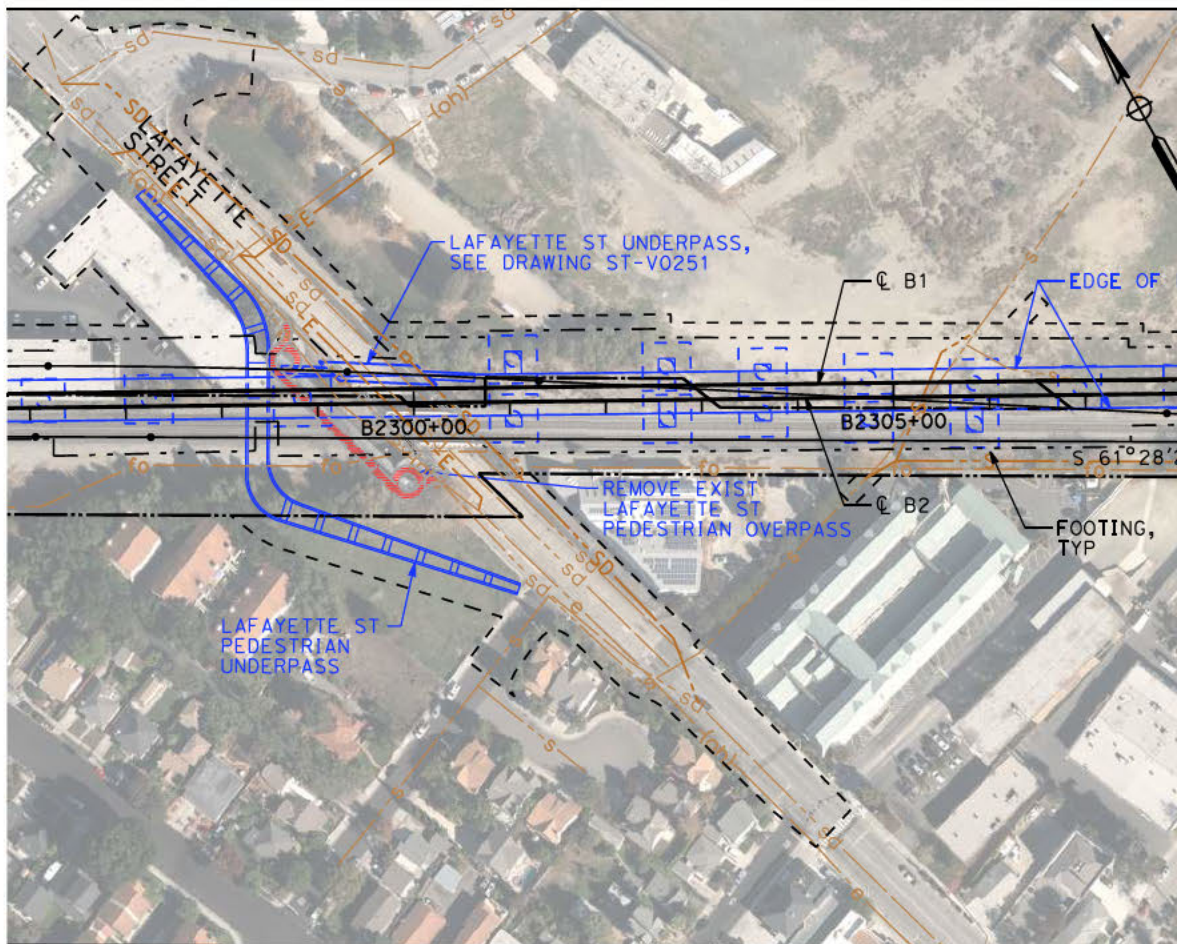
	Function Name	Area (SF)	EF	Required Area (SF)	Formula	Chapter 14: Stations	Comments
Concourse Public Free Areas West Station	Concourse (Free Area)	8,996.09	1.2	7,497	P15 x 30 SF /person, 251x30	14.3.5.3	P15 = P15 B + P15 A. Using Memorandum dated May 10, 2016, Attachment E Facility Sizing Table Example 20% - 25% of the P15 of the Main Station North Entrance, about 97 passengers.
	Entrances					14.3.5.2	# TBD, 15 ft width at least one entrance
	Passenger Waiting Area	2,818.77	1.2	2349	$(((P15B \times 1.1) + (P15Ax0.1)) \times 25\%) \times 14 \text{ SF}$	14.3.5.3.B.C Table 14-3	California HSTP Design Criteria, Chapter 14-Stations, March 2016, Rev. 2 and October 2015, Working Draft, Rev. 2 Table 14-1 Passenger Ridership Assumptions, Table 14-3 Concourse Circulation and Waiting Areas 20% - 25% of 15B (Main Station) = 56; 20% - 25% of 15A (Main Station)
	Ticket Vending Machines (TVM)	82.00		2	P60B/280, 683x25%/280	Table 14-5	Includes queuing space; 20% -25% of P60 B (Main Station) 170
	Public Restrooms	1,224.00	1.2	1020	CBC 2016, CPC 2016 (P15B + P15A)/2	14.3.5.4	A-3 assembly occupancy, 250 male, 250 female, 2 unisex Female: 4 water closets, 2 lavatories Male: 2 water closets, 2 urinal, 2 lavatories 2 drinking fountains
	Janitor Closet	72	1.2	60		14.3.7.1.D	

TOTAL AREA - EAST ENTRANCE: 13,193 SF

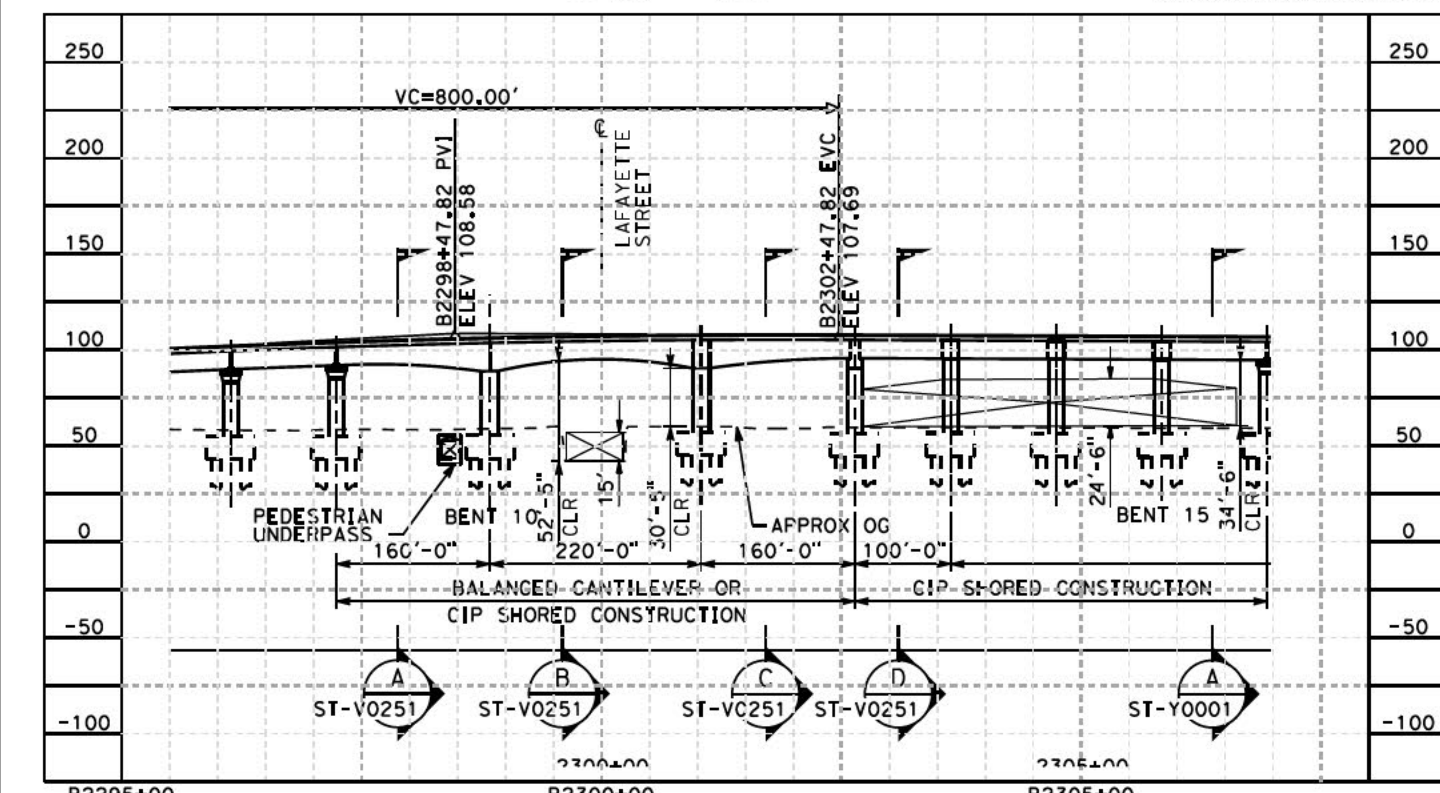
	Platform Area (800'x30')x2	48,000					
	Bus Bays						Included in Cahill transit street improvement
	Parking Area						No parking for HSR provided
	Pickup and Drop-off						Included in Cahill transit street improvement

**SAN FRANCISCO TO SAN JOSE EIR/S: VOLUME III
ALTERNATIVE B
BOOK B6
SHEET 130 OF 146**

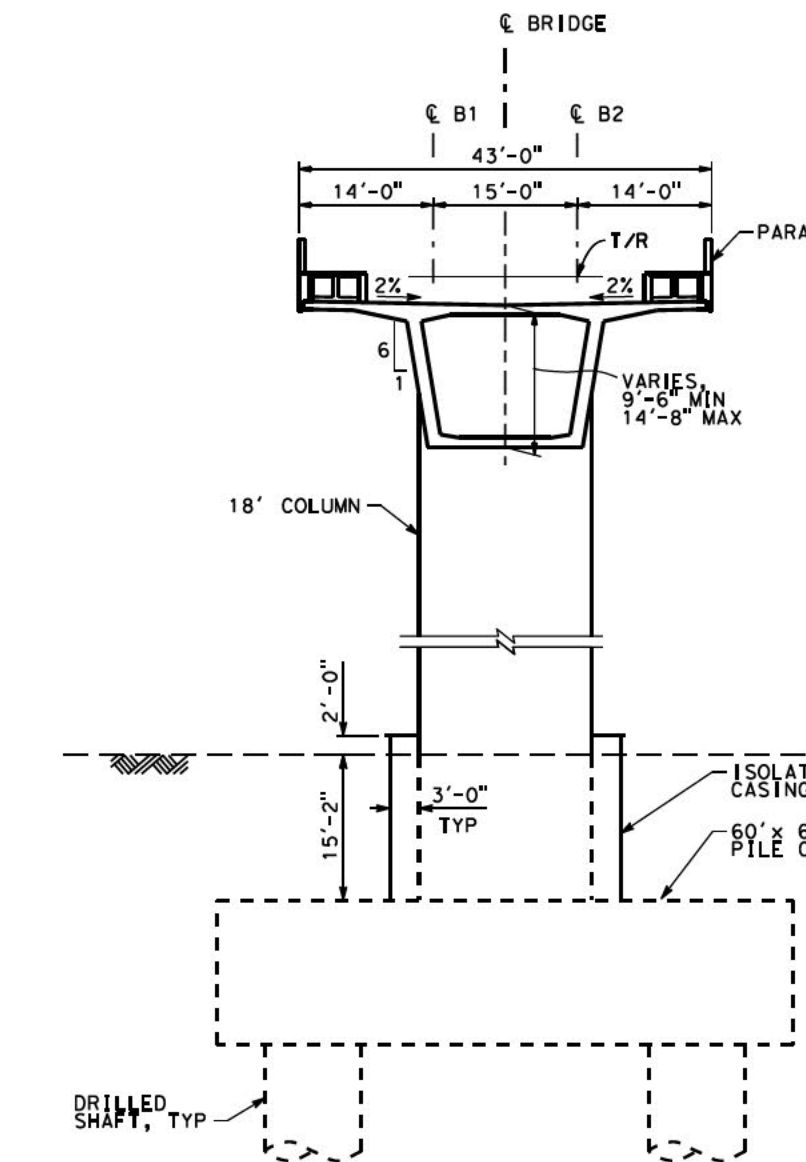
<table border="1"> <tr><td>DESIGNED BY</td><td></td></tr> <tr><td>DRAWN BY</td><td></td></tr> <tr><td>CHECKED BY</td><td></td></tr> <tr><td>IN CHARGE</td><td></td></tr> <tr><td>DATE</td><td></td></tr> </table>					DESIGNED BY		DRAWN BY		CHECKED BY		IN CHARGE		DATE		<p>2021 RECORD SET PEPP</p> <p>NOVEMBER 30, 2021</p> <p>NOT FOR CONSTRUCTION</p>		 <p>1111 Broadway 9th Floor Oakland, CA 94607</p>		 <p>CALIFORNIA High-Speed Rail Authority</p>		<p>CALIFORNIA HIGH-SPEED TRAIN PROJECT SAN JOSE TO MERCED SAN JOSE DIRIDON STATION APPROACH VIADUCT TO I-880 SAN JOSE DIRIDON STATION FACILITY SIZING TABLE</p>			<p>CONTRACT NO. HSR15-34</p> <p>DRAWING NO. AR-Y0107</p> <p>SCALE AS SHOWN</p> <p>SHEET NO.</p>	
DESIGNED BY																									
DRAWN BY																									
CHECKED BY																									
IN CHARGE																									
DATE																									
REV	DATE	BY	CHK	APP	DESCRIPTION																				



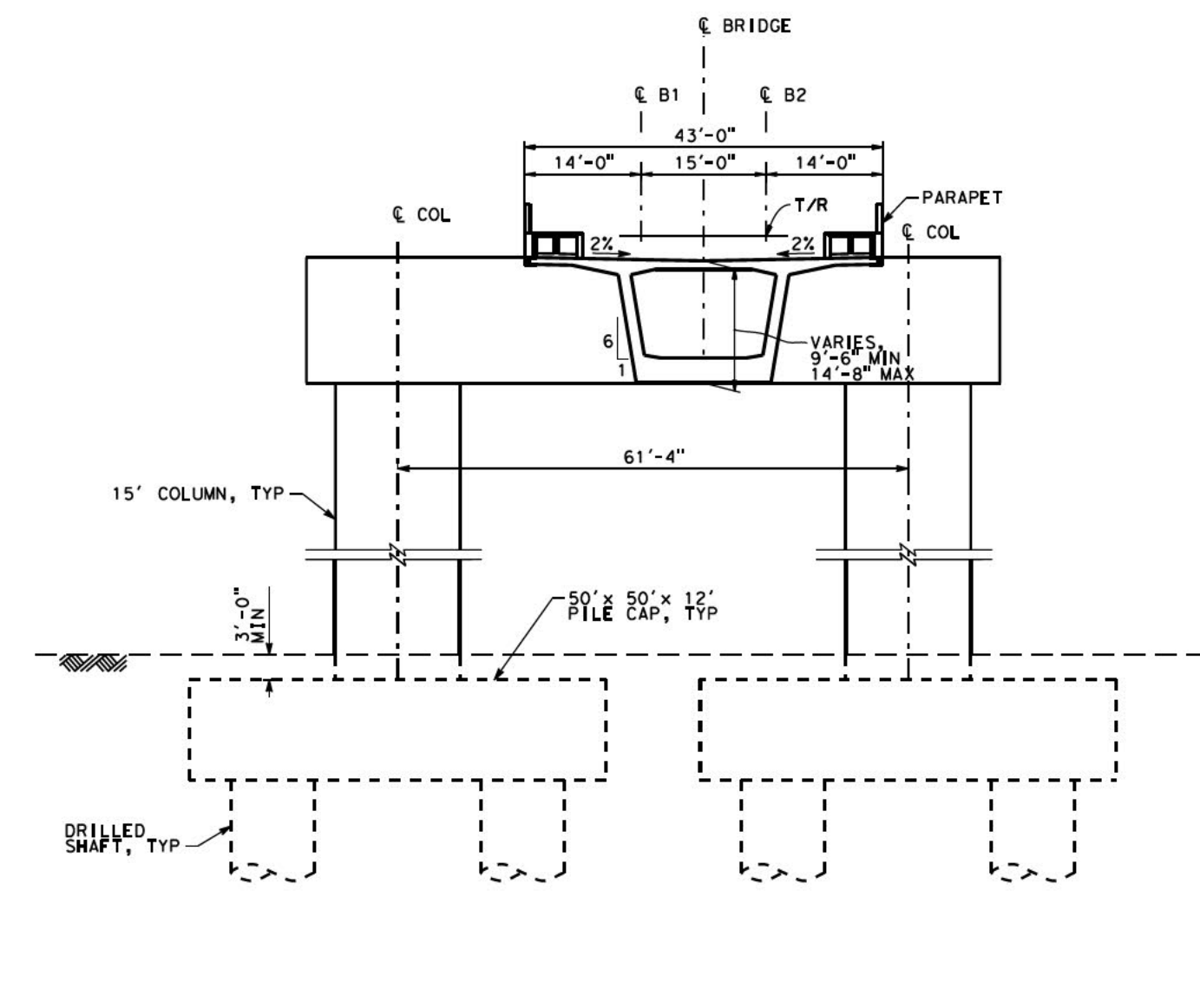
PLAN - LAFAYETTE STREET
SCALE: 1"=200'



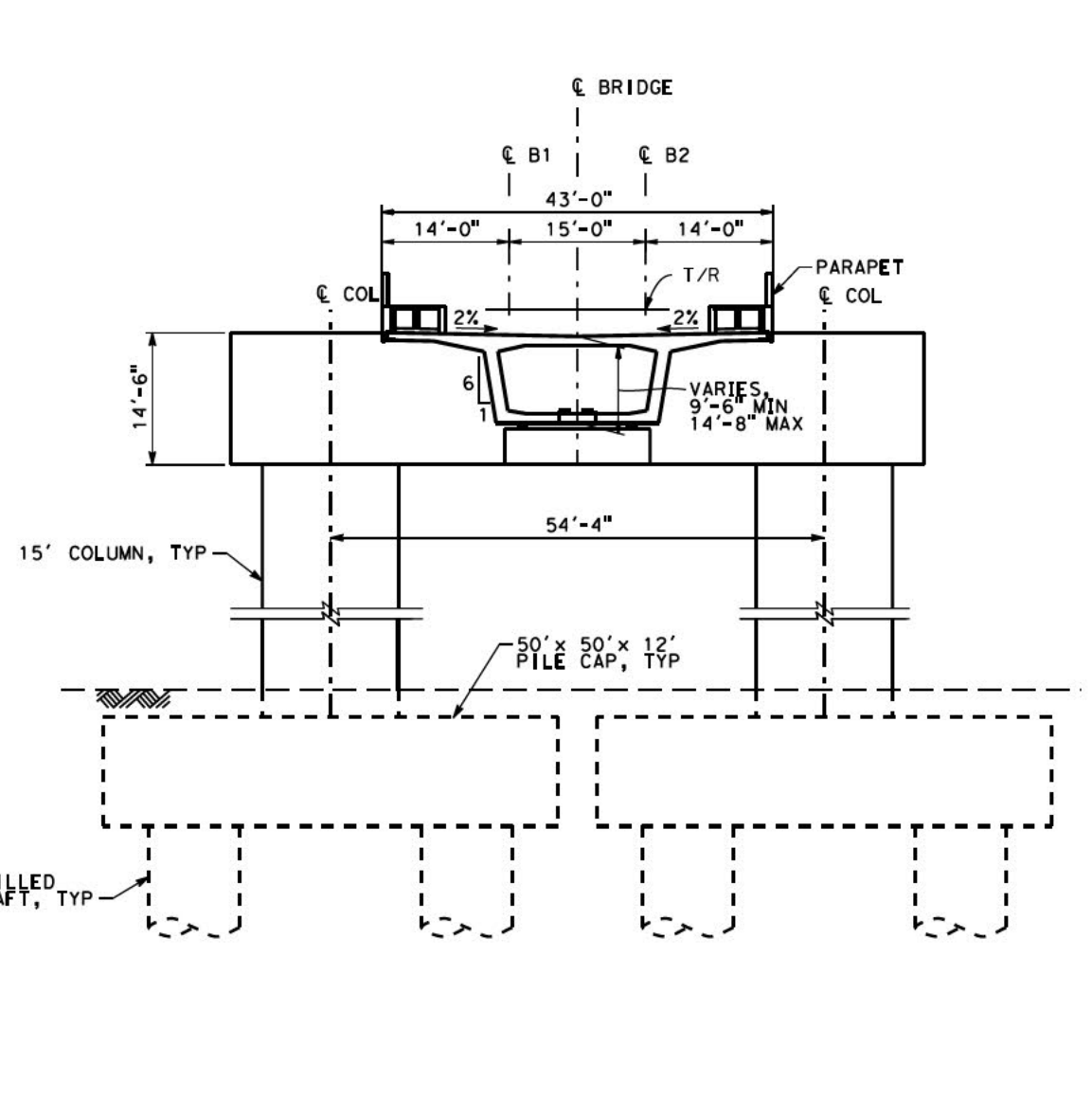
PROFILE - LAFAYETTE STREET
SCALE: 1"=200' HOR, 1"=100' VERT



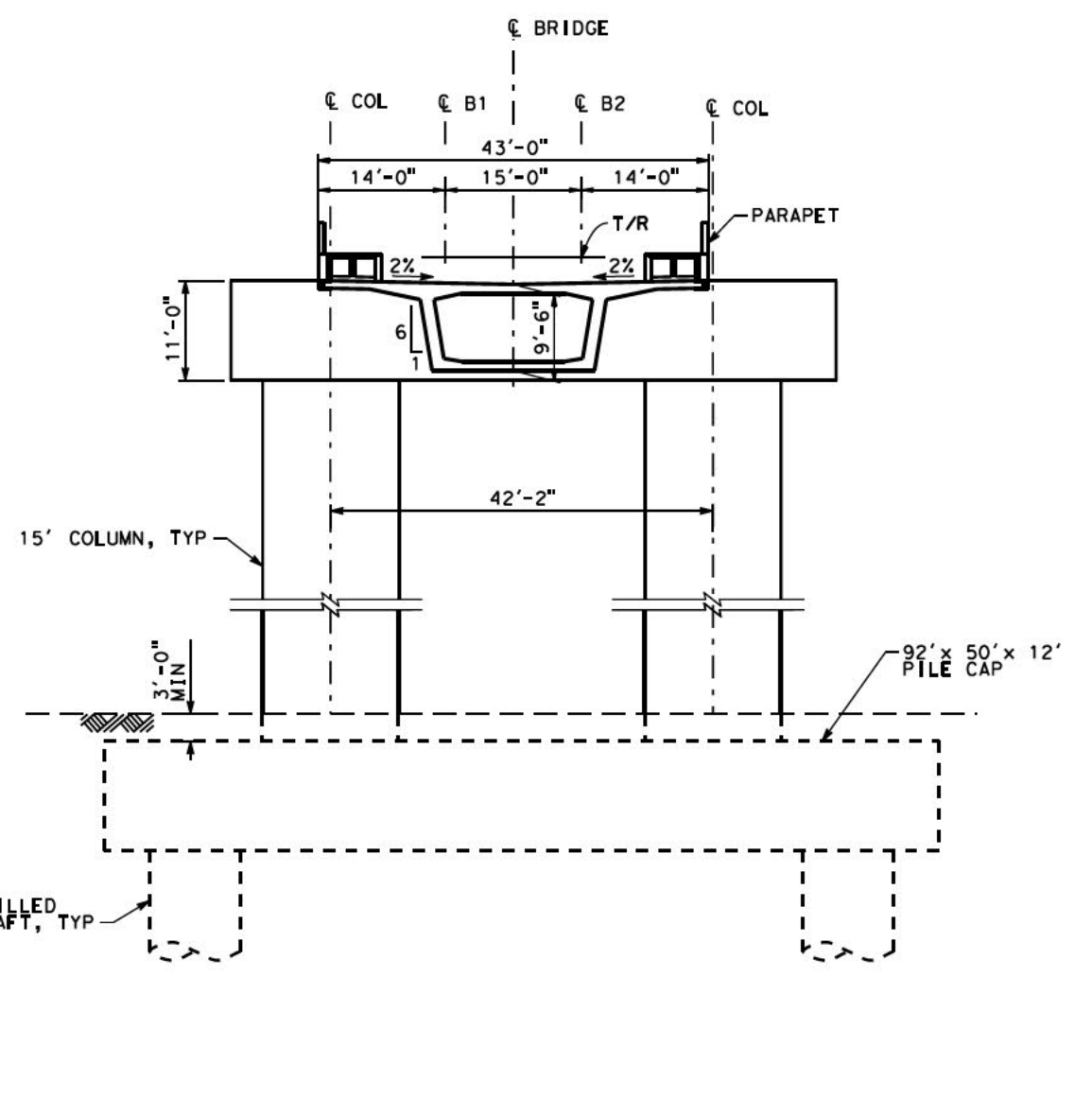
SECTION A-A
SCALE 1"=20'-0"



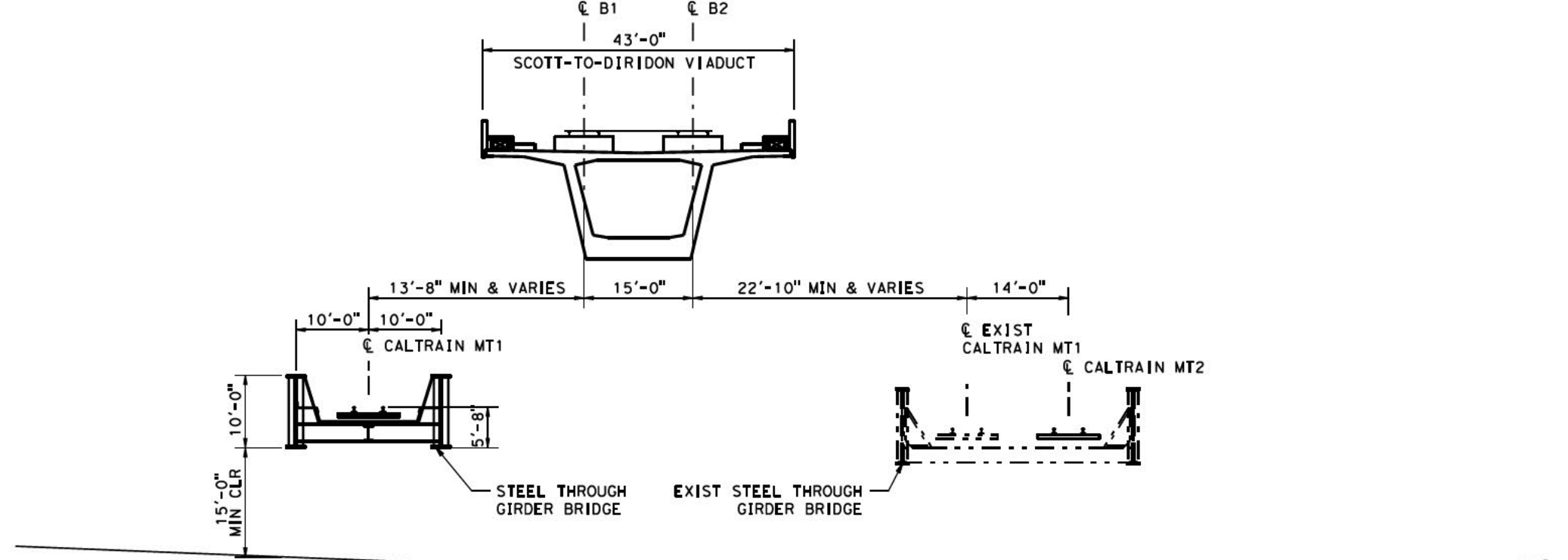
SECTION B-B
SCALE 1"=20'-0"



SECTION C-C
SCALE 1"=20'-0"



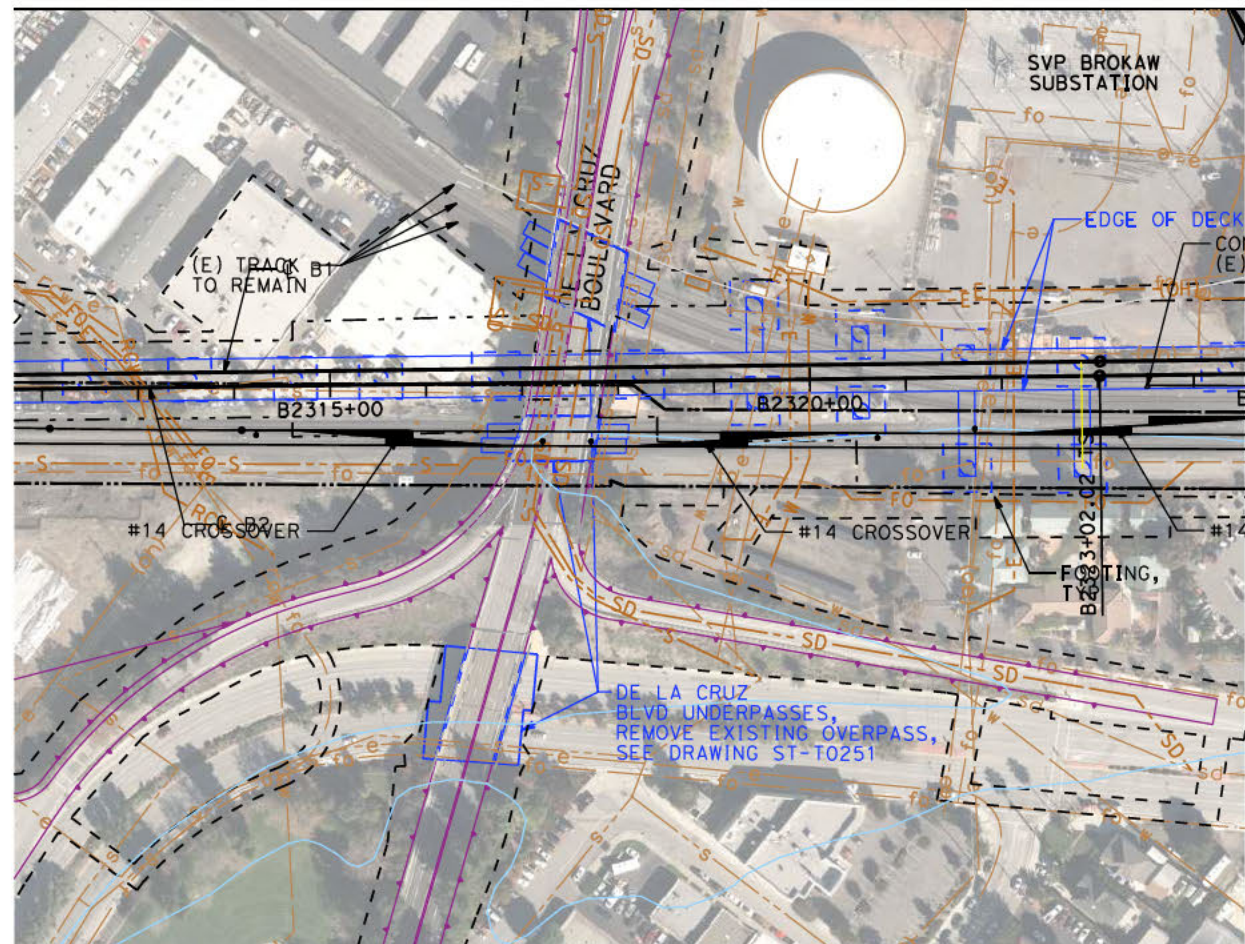
SECTION D-D
SCALE 1"=20'-0"



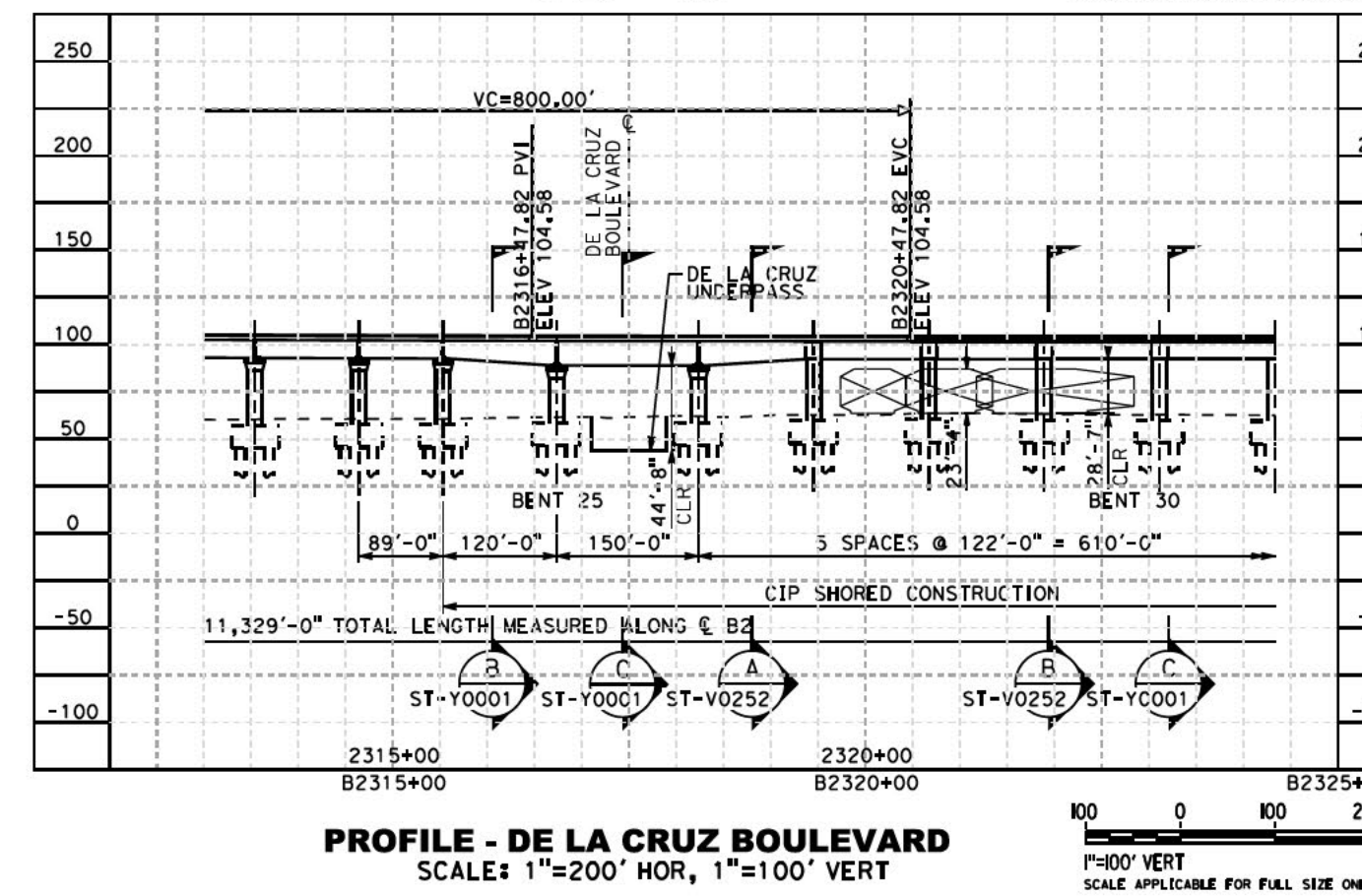
LAFAYETTE STREET UNDERPASSES
STATION 2300+00

SAN FRANCISCO TO SAN JOSE EIR/S: VOLUME III
ALTERNATIVE B
BOOK B6
SHEET 131 OF 146

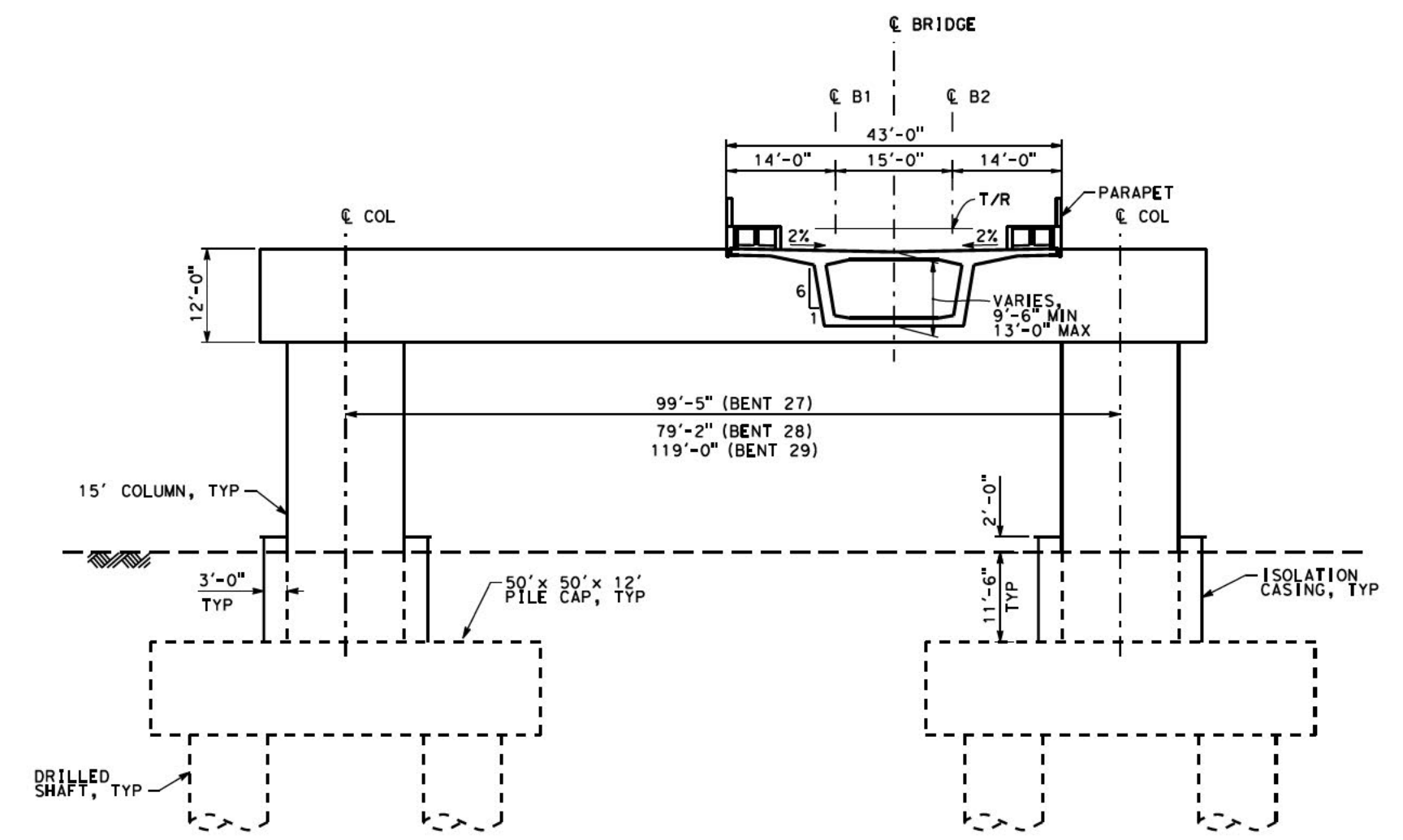
2021 RECORD SET PBD NOVEMBER 30, 2021 NOT FOR CONSTRUCTION	HNTB 1111 Broadway 9th Floor Oakland, CA 94607	CALIFORNIA High-Speed Rail Authority	CALIFORNIA HIGH-SPEED TRAIN PROJECT SAN JOSE TO MERCED SAN JOSE DIRIDON STATION APPROACH VIADUCT TO SCOTT BLVD COMPLEX STRUCTURES GENERAL PLAN 1 OF 5	CONTRACT NO. HSR15-34 DRAWING NO. ST-V0251 SCALE AS SHOWN SHEET NO.
--	--	--	--	--



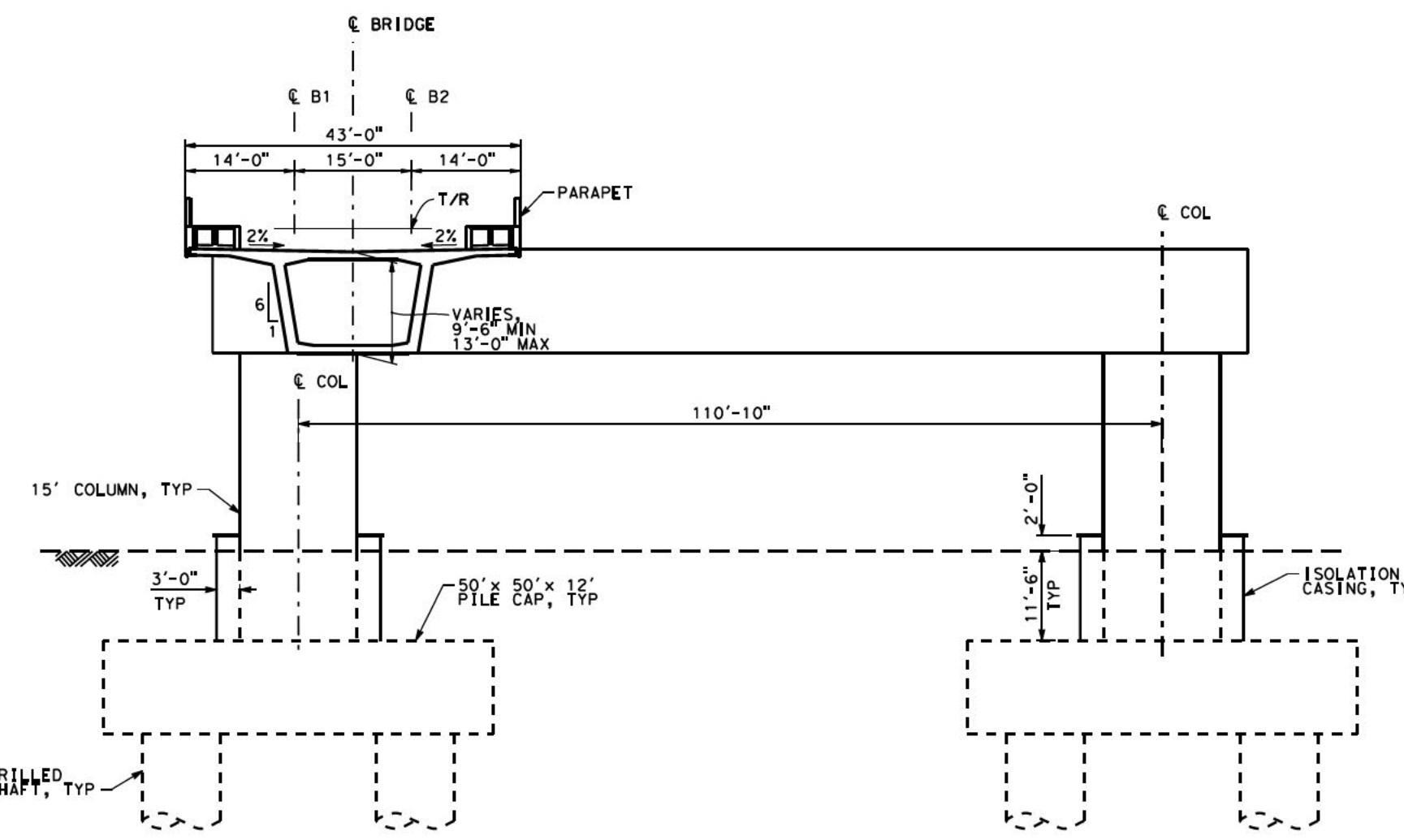
PLAN - DE LA CRUZ BOULEVARD
SCALE: 1"=200'



PROFILE - DE LA CRUZ BOULEVARD
SCALE: 1"=200' HOR, 1"=100' VERT



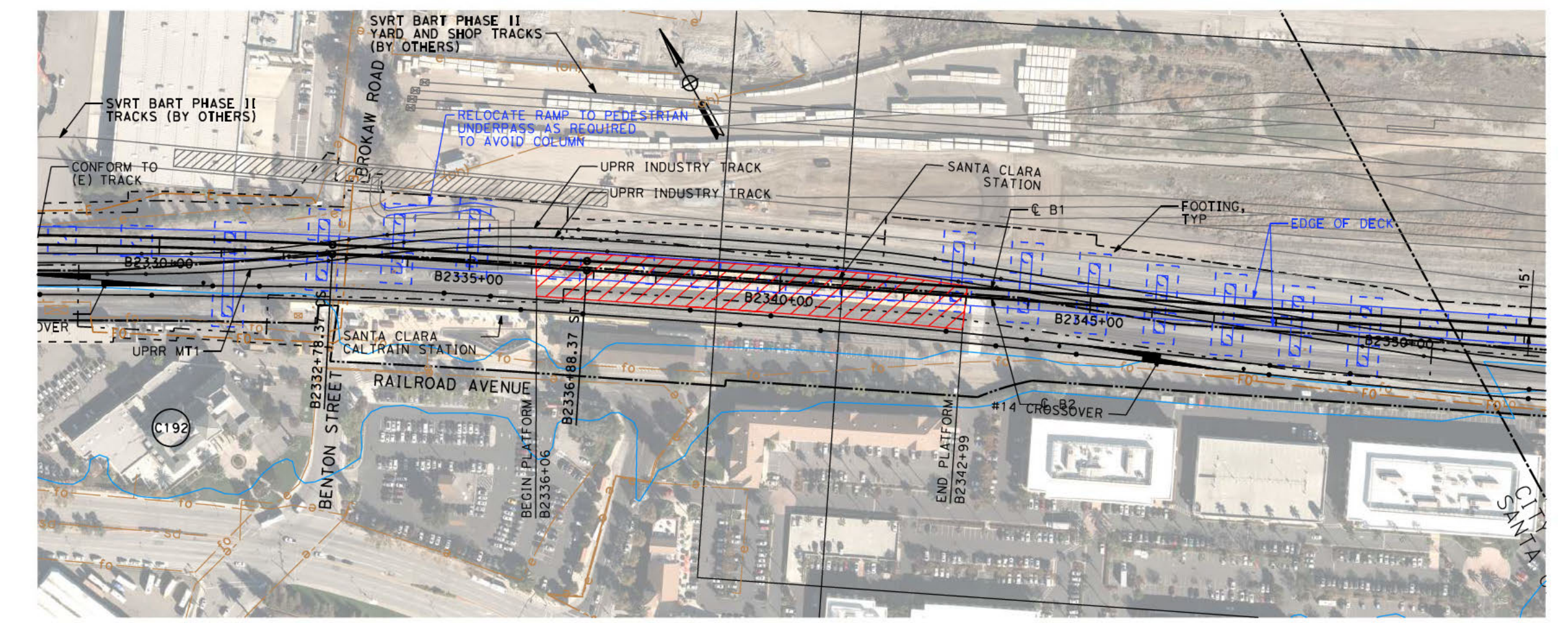
SECTION A-A
SCALE 1"=20'-0"



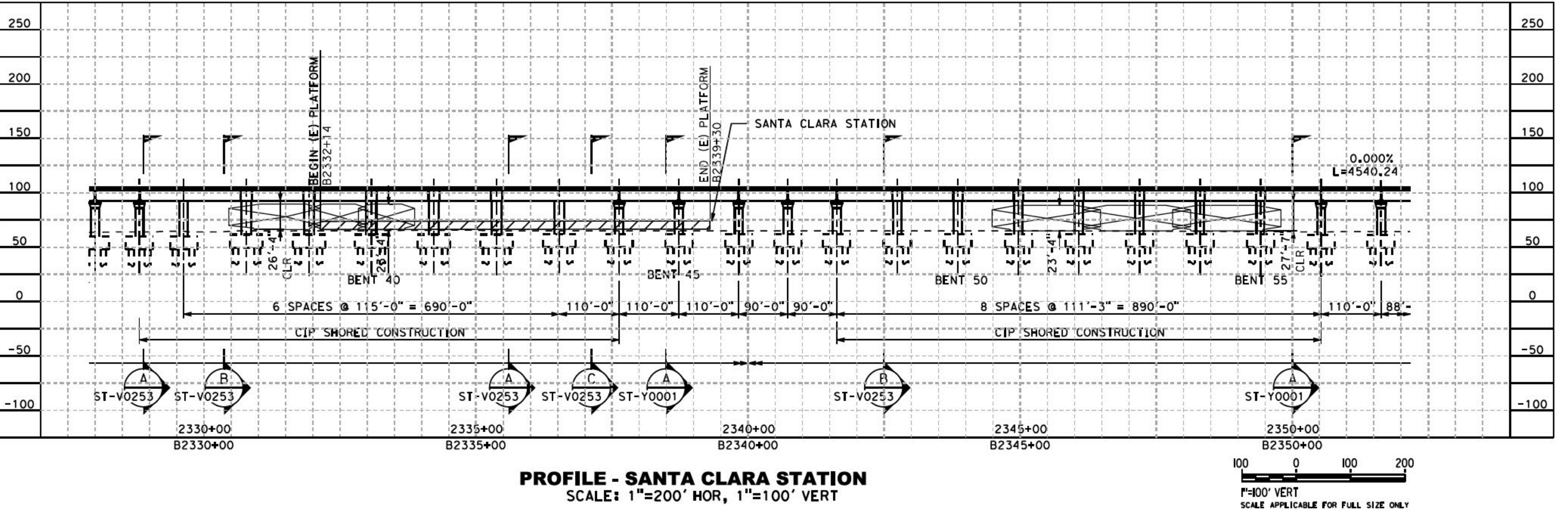
SECTION B-B
SCALE 1"=20'-0"

SAN FRANCISCO TO SAN JOSE EIR/S: VOLUME III
ALTERNATIVE B
BOOK B6
SHEET 132 OF 146

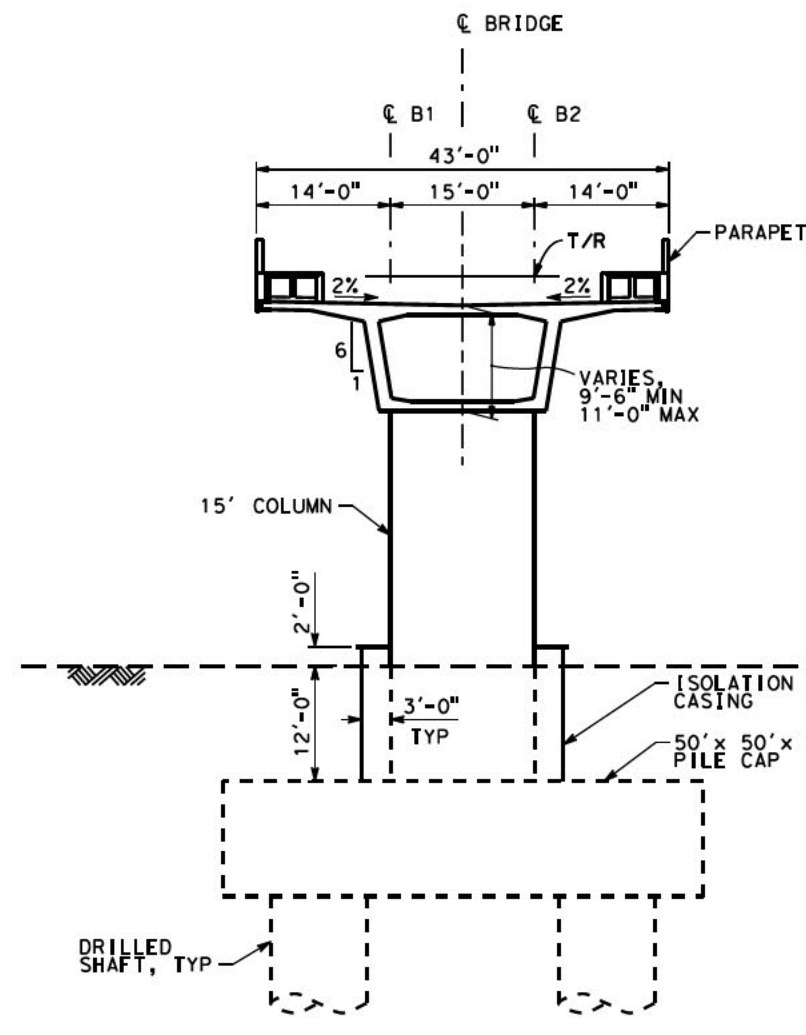
2021 RECORD SET PBD NOVEMBER 30, 2021 NOT FOR CONSTRUCTION		1111 Broadway 9th Floor Oakland, CA 94607		CALIFORNIA HIGH-SPEED TRAIN PROJECT SAN JOSE TO MERCED SAN JOSE DIRIDON STATION APPROACH VIADUCT TO SCOTT BLVD COMPLEX STRUCTURES GENERAL PLAN 2 OF 5	CONTRACT NO. HSR15-34 DRAWING NO. ST-V0252 SCALE AS SHOWN SHEET NO.
--	--	---	--	--	---



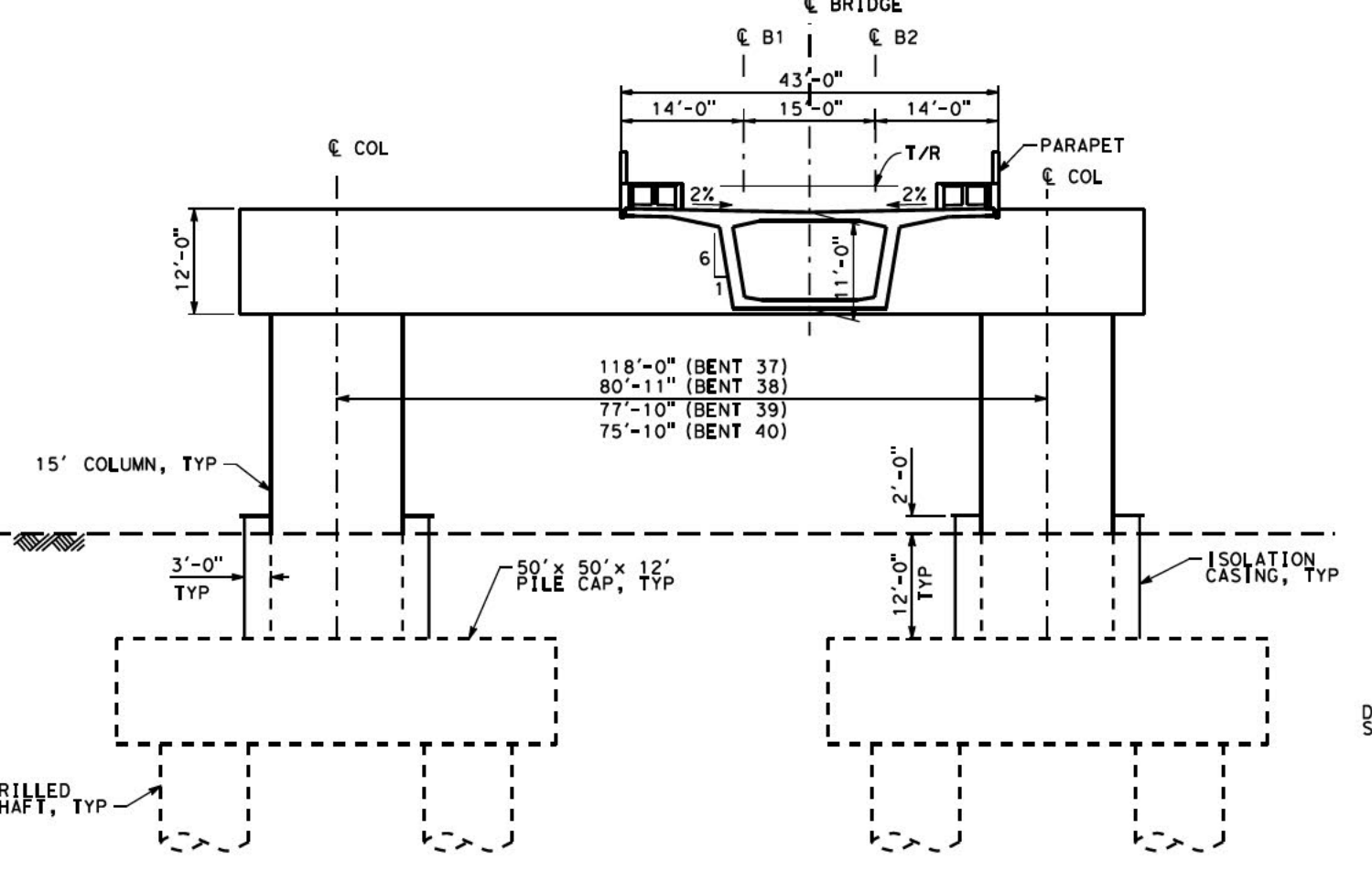
PLAN - SANTA CLARA STATION
 SCALE: 1"=200'



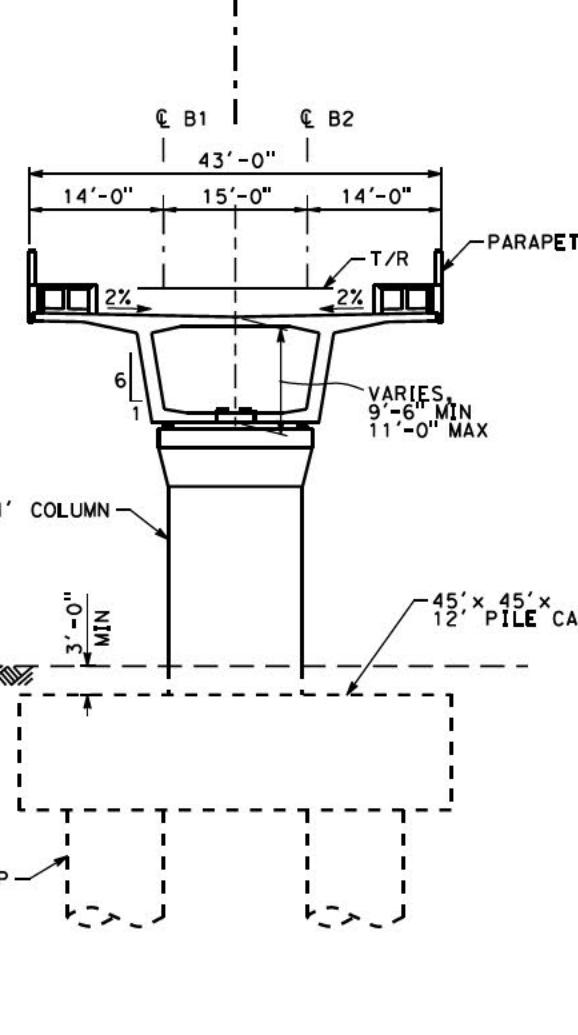
PROFILE - SANTA CLARA STATION
 SCALE: 1"=200' HOR, 1"=100' VERT



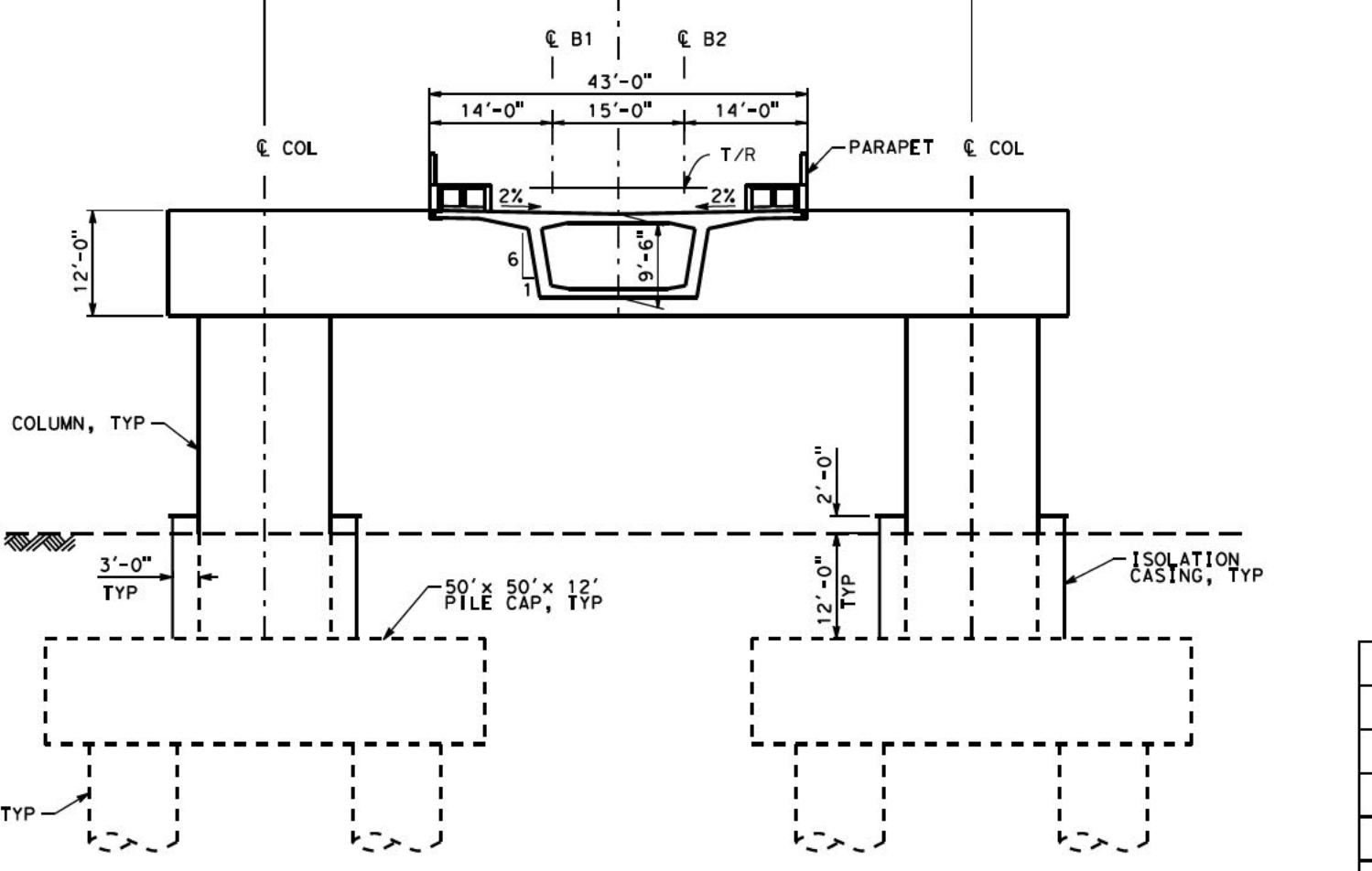
SECTION A
 SCALE 1"=20'-0"



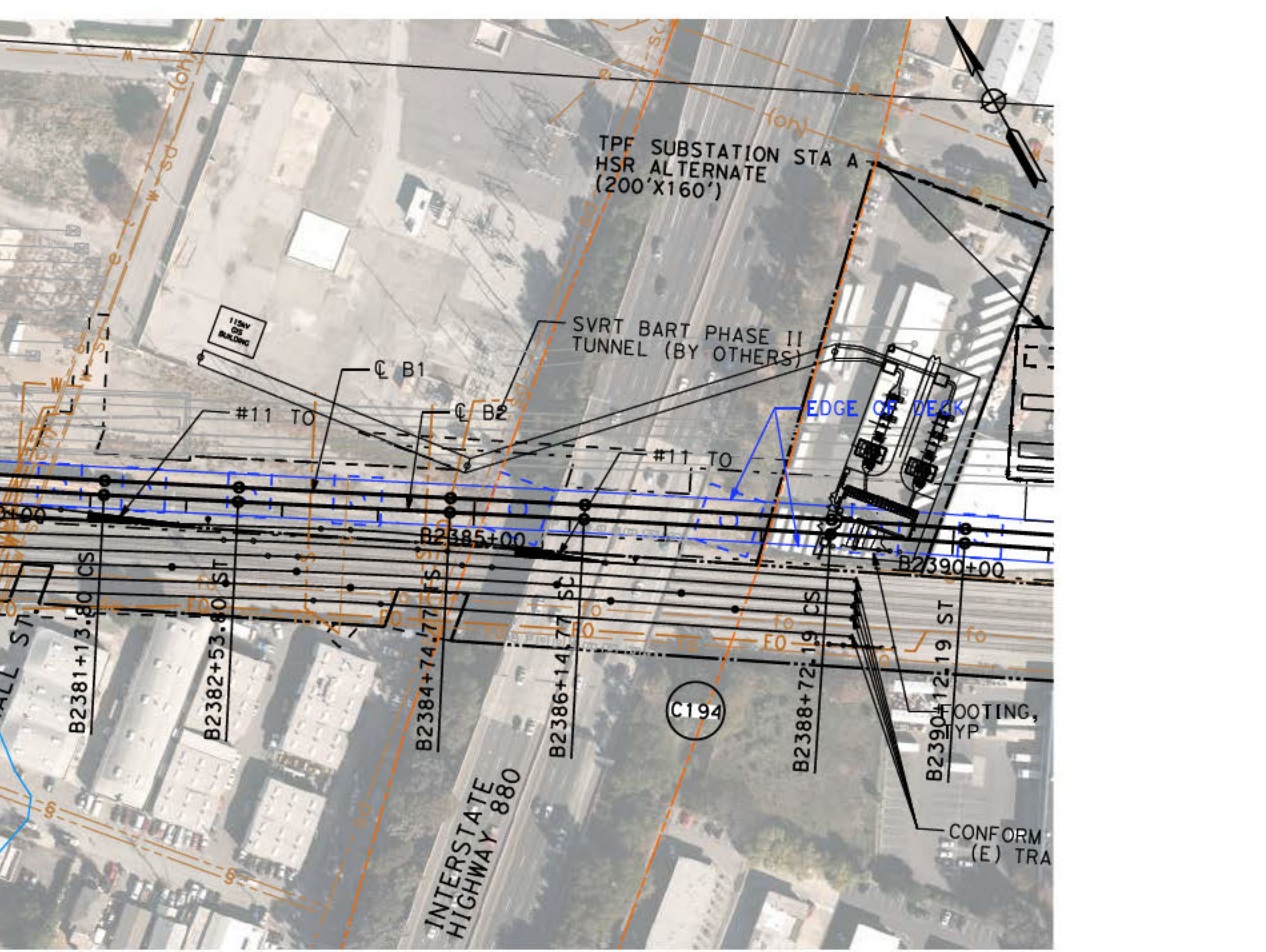
SECTION B
 SCALE 1"=20'-0"



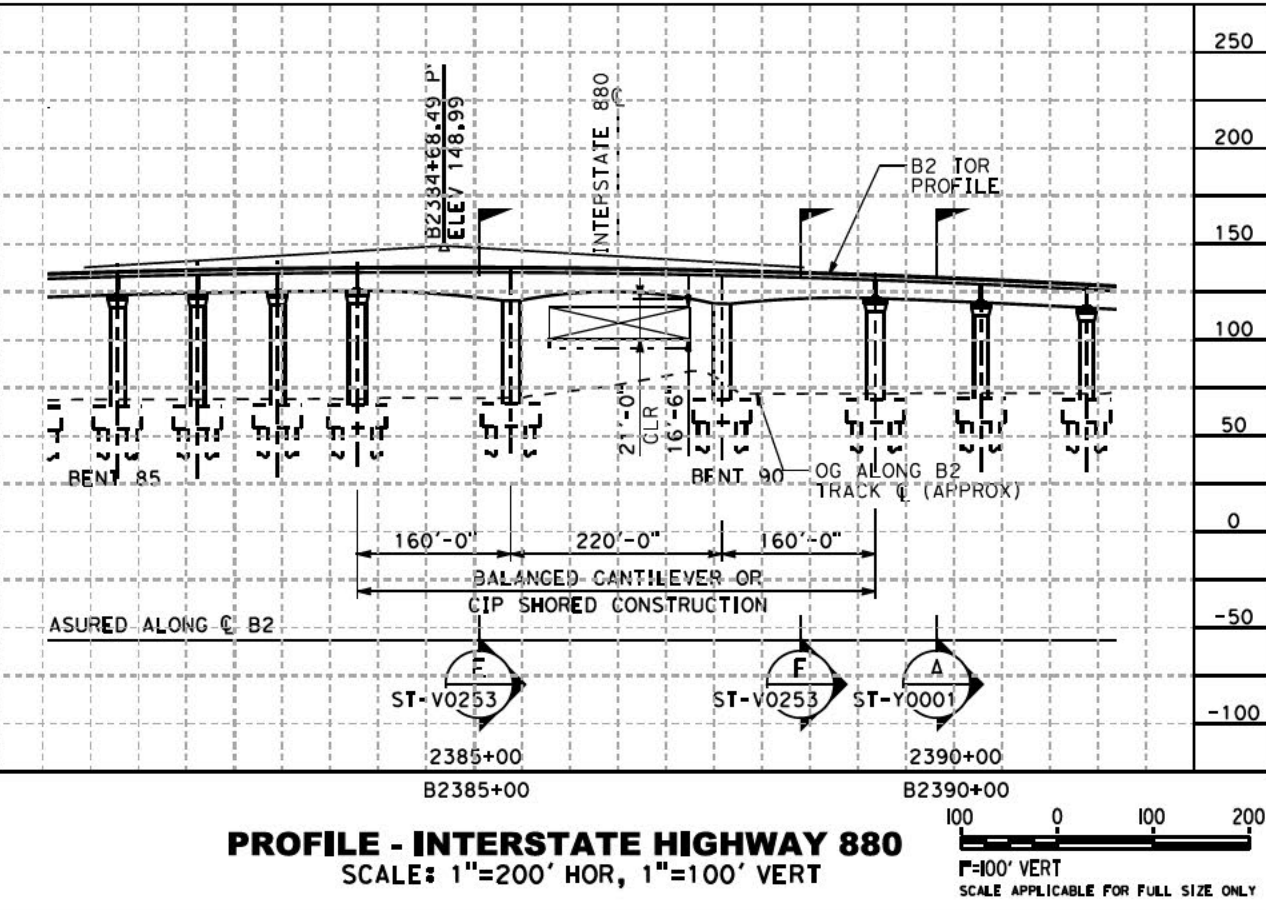
SECTION C
 SCALE 1"=20'-0"



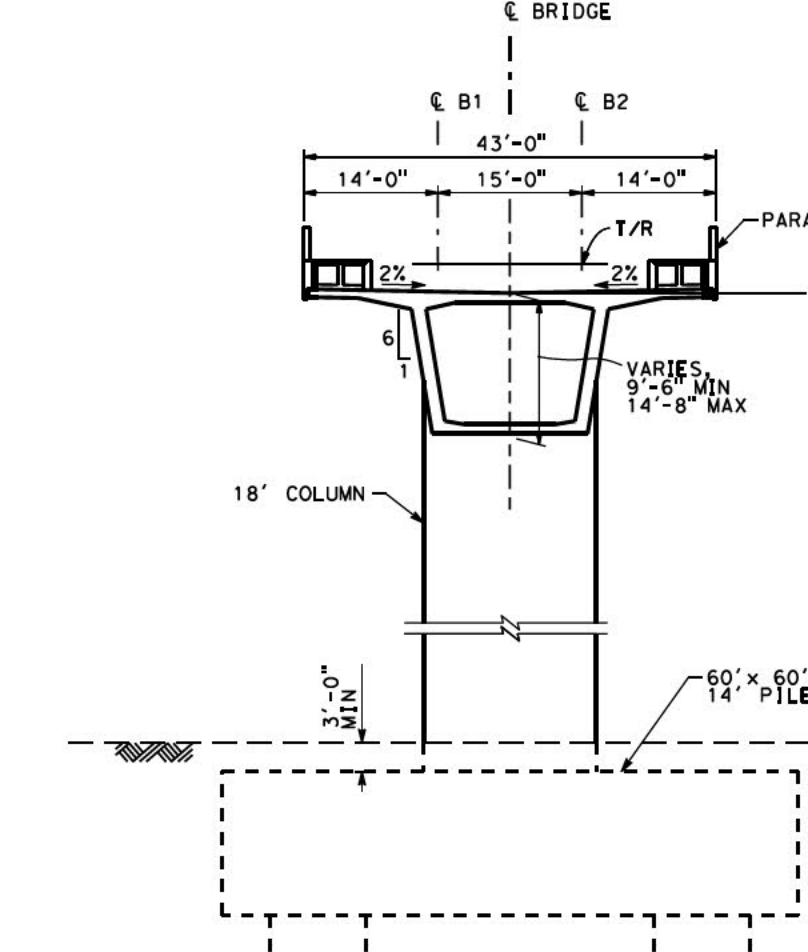
SECTION D
 SCALE 1"=20'-0"



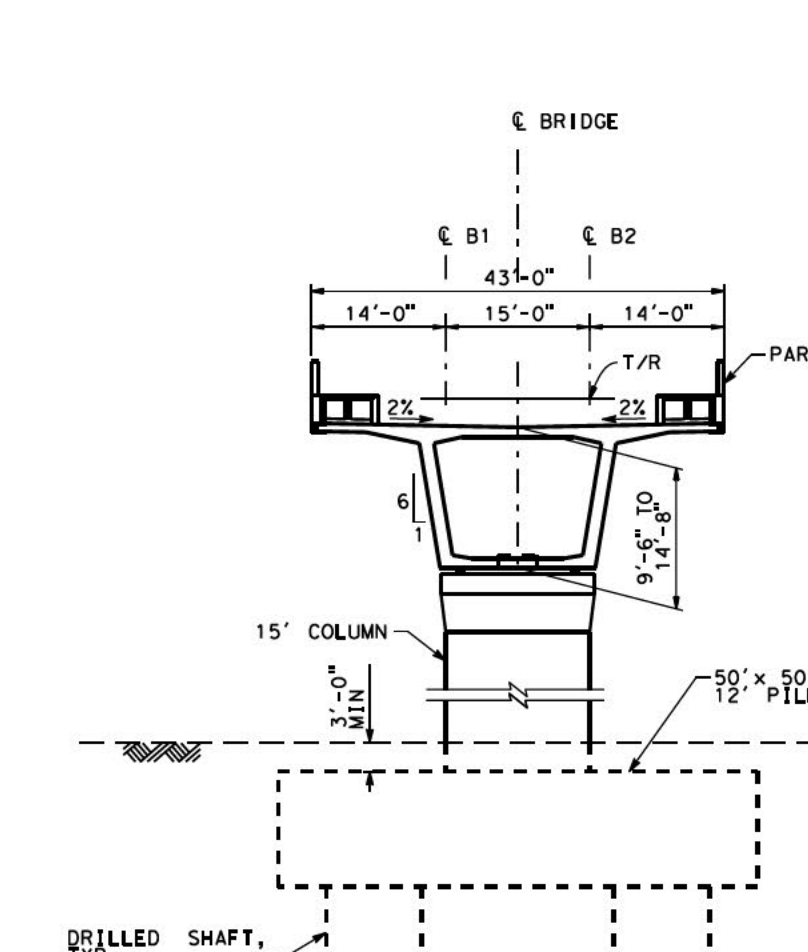
PLAN - INTERSTATE HIGHWAY 880
 SCALE: 1"=200'



PROFILE - INTERSTATE HIGHWAY 880
 SCALE: 1"=200' HOR, 1"=100' VERT

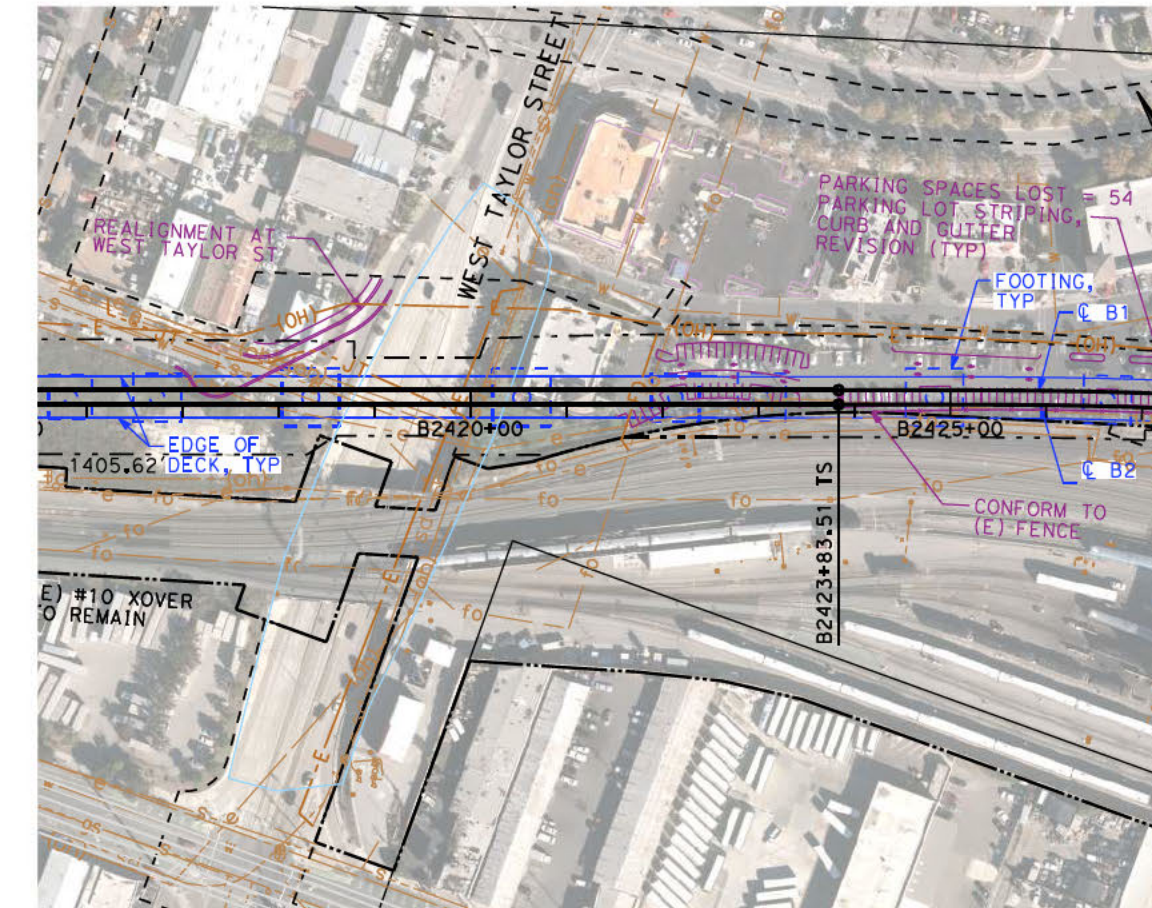


SECTION E
 SCALE 1"=20'-0"

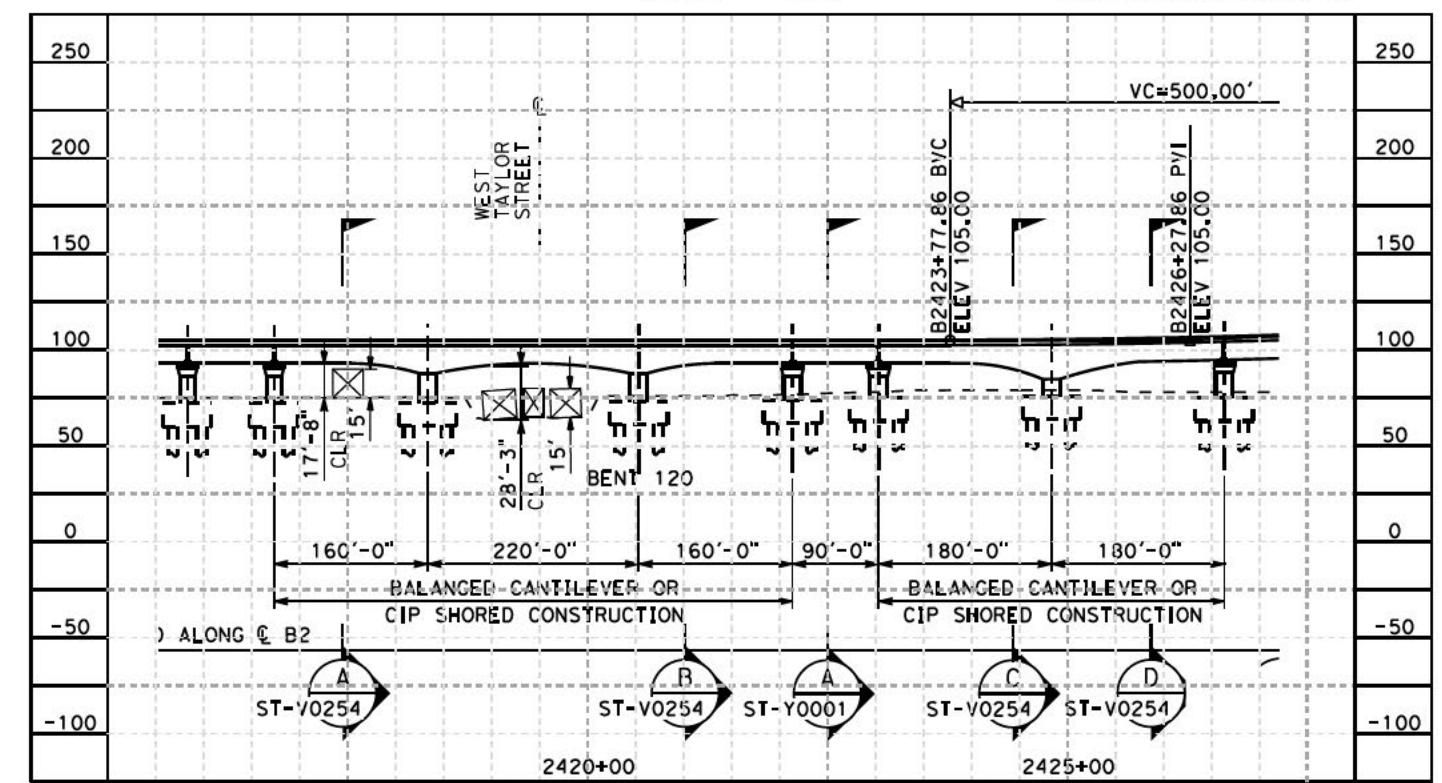


SECTION F
 SCALE 1"=20'-0"

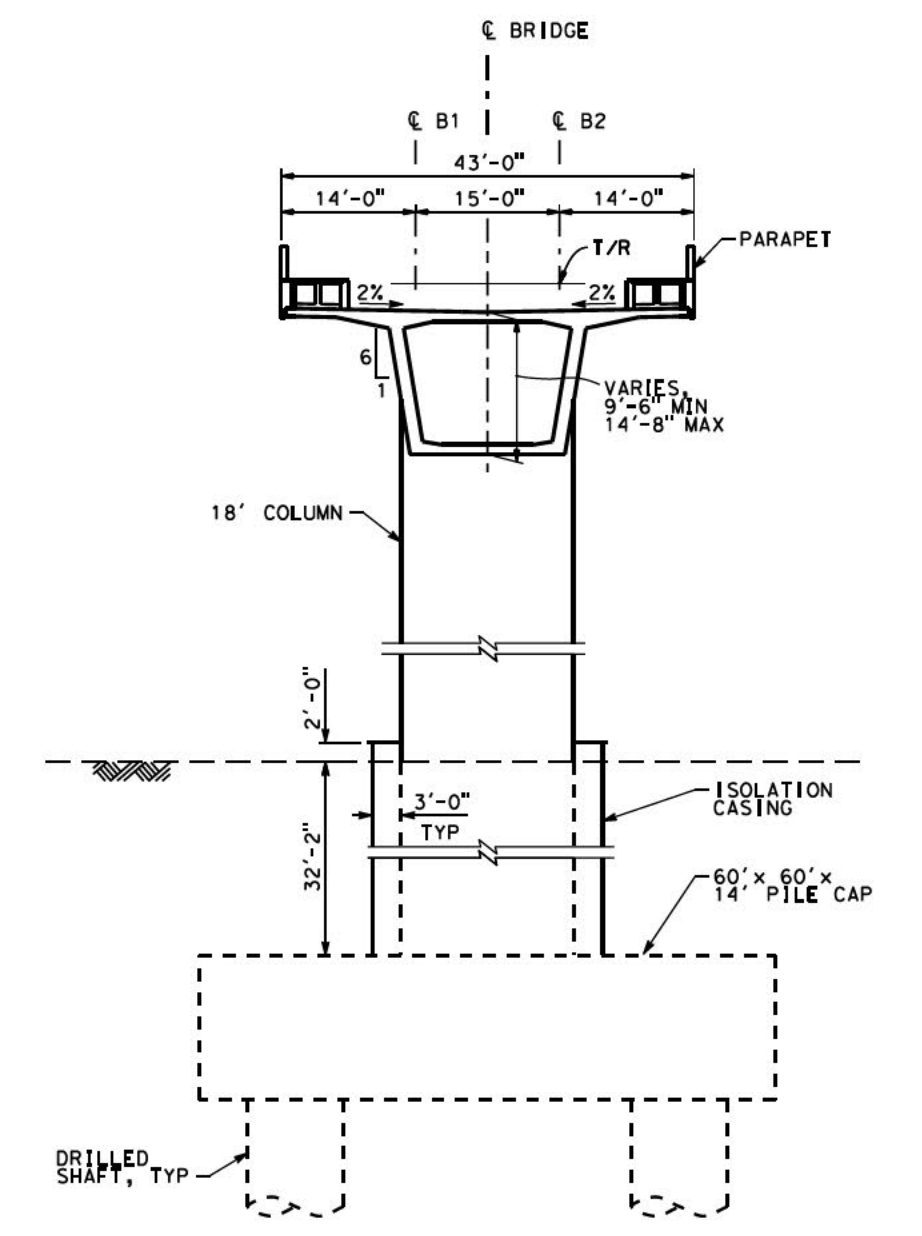
2021 RECORD SET PBD NOVEMBER 30, 2021 NOT FOR CONSTRUCTION	HNTB 1111 Broadway 9th Floor Oakland, CA 94607	CALIFORNIA High-Speed Rail Authority	CALIFORNIA HIGH-SPEED TRAIN PROJECT SAN JOSE TO MERCED SAN JOSE DIRIDON STATION APPROACH VIADUCT TO SCOTT BLVD COMPLEX STRUCTURES GENERAL PLAN 3 OF 5	CONTRACT NO. HSR15-34 DRAWING NO. ST-V0253 SCALE AS SHOWN SHEET NO.
--	--	--	---	--



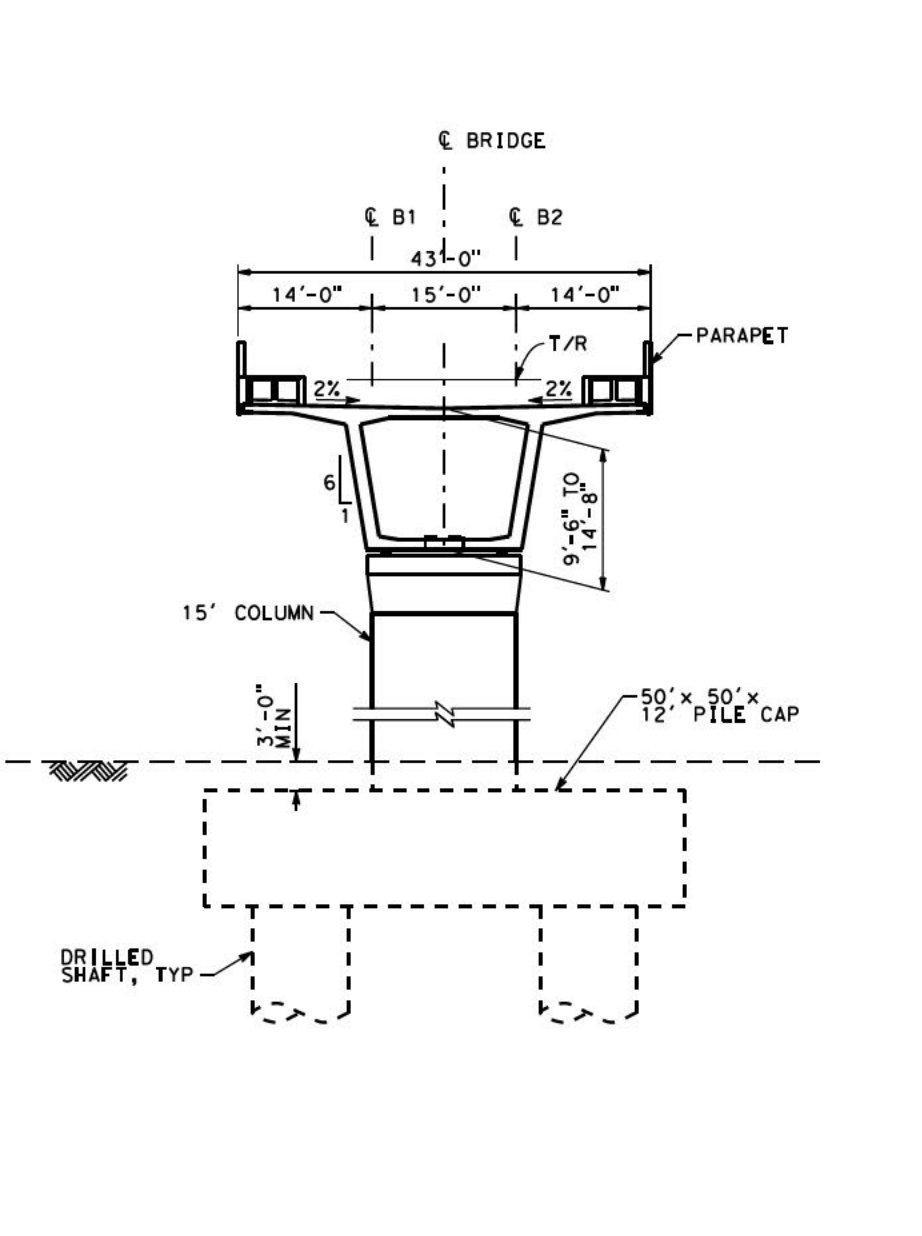
PLAN - WEST TAYLOR STREET
SCALE: 1"=200'



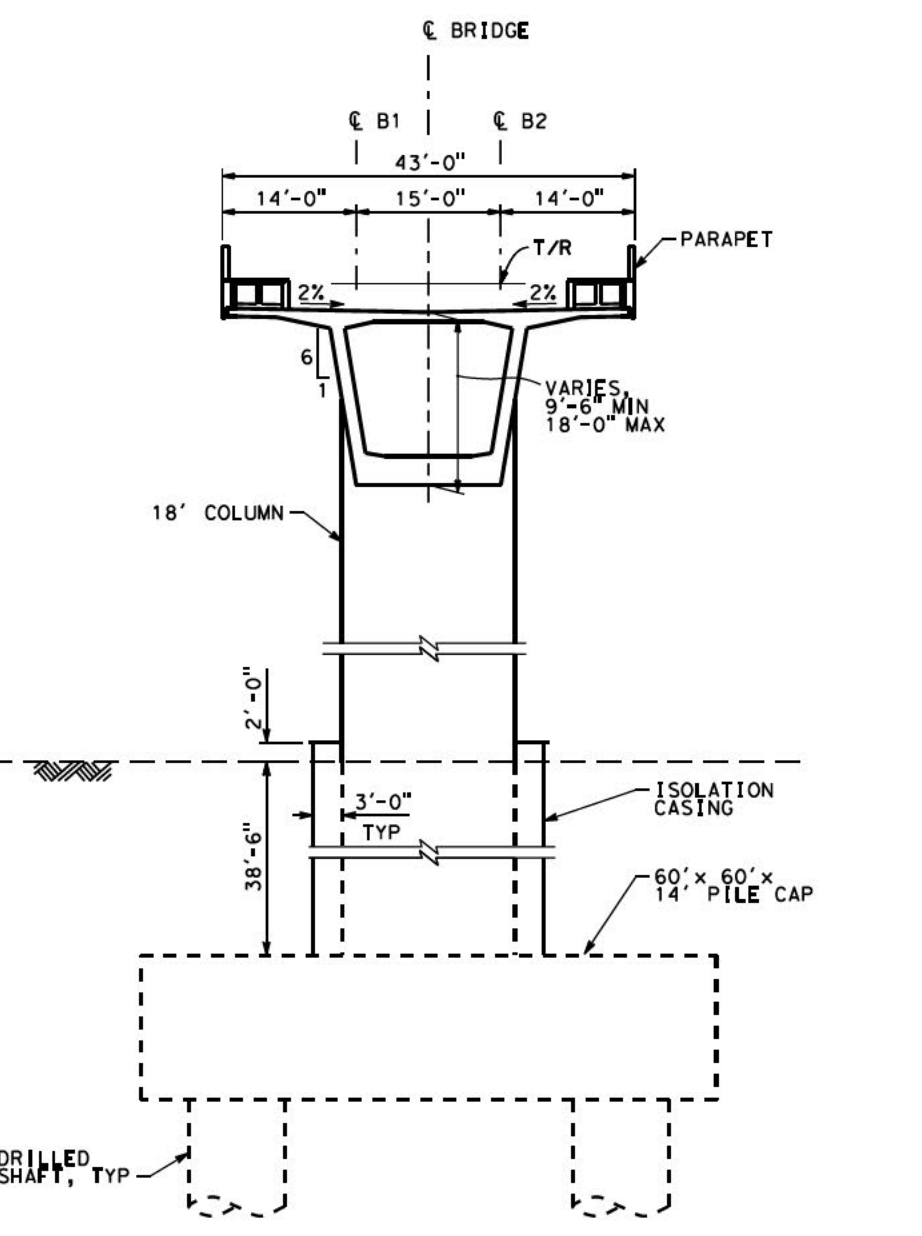
PROFILE - WEST TAYLOR STREET
SCALE: 1"=200' HOR, 1"=100' VERT



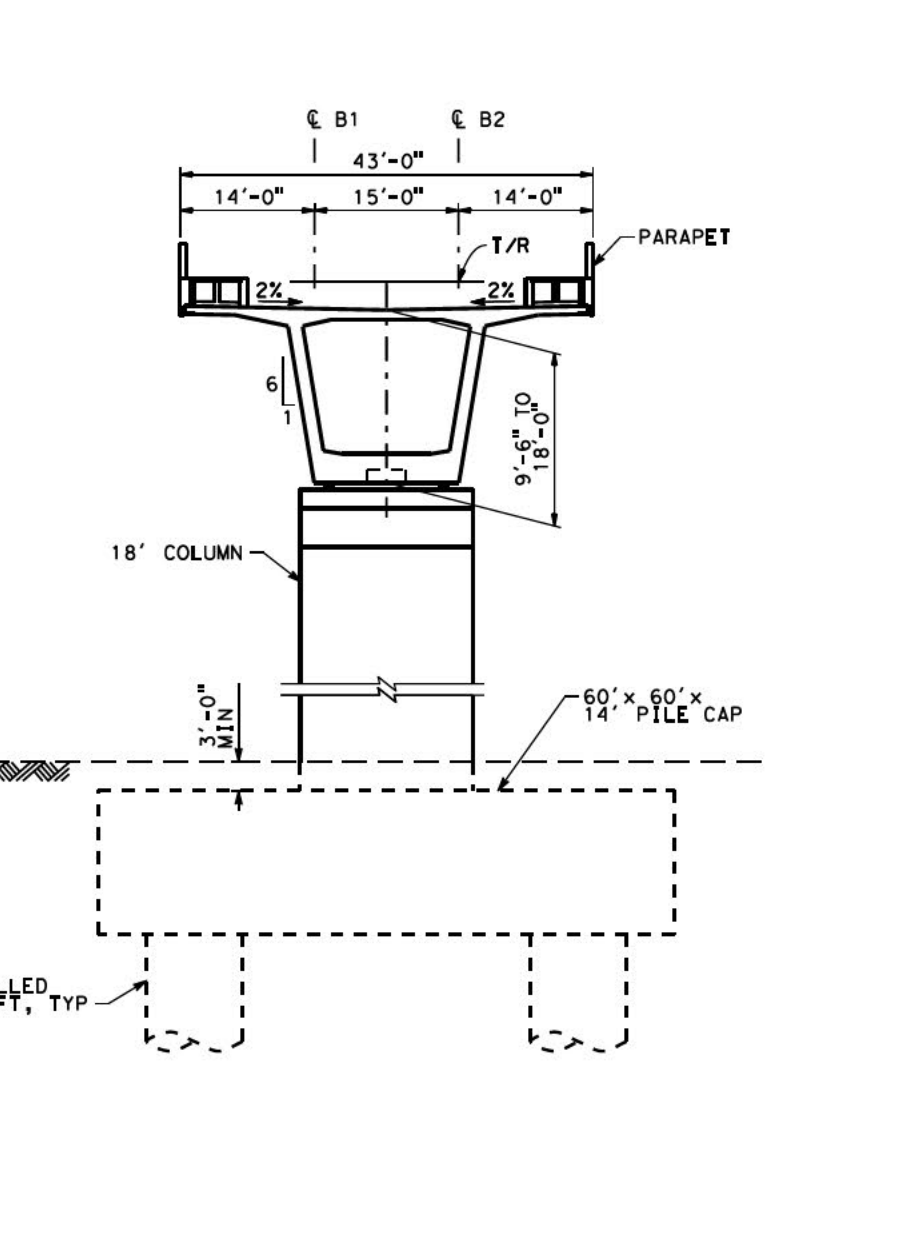
SECTION A-A
SCALE 1"=20'-0"



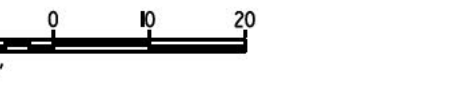
SECTION B-B
SCALE 1"=20'-0"



SECTION C-C
SCALE 1"=20'-0"

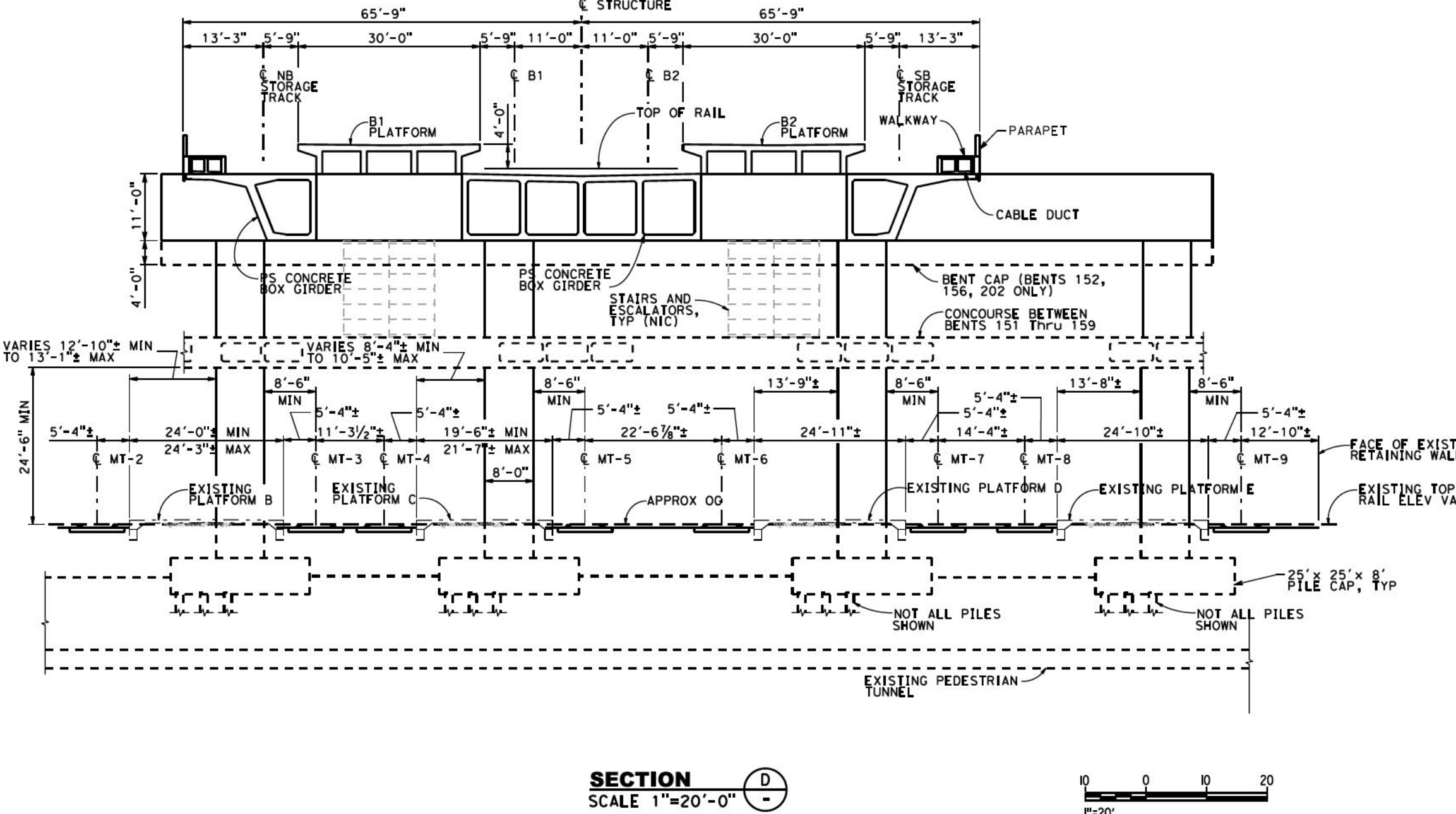
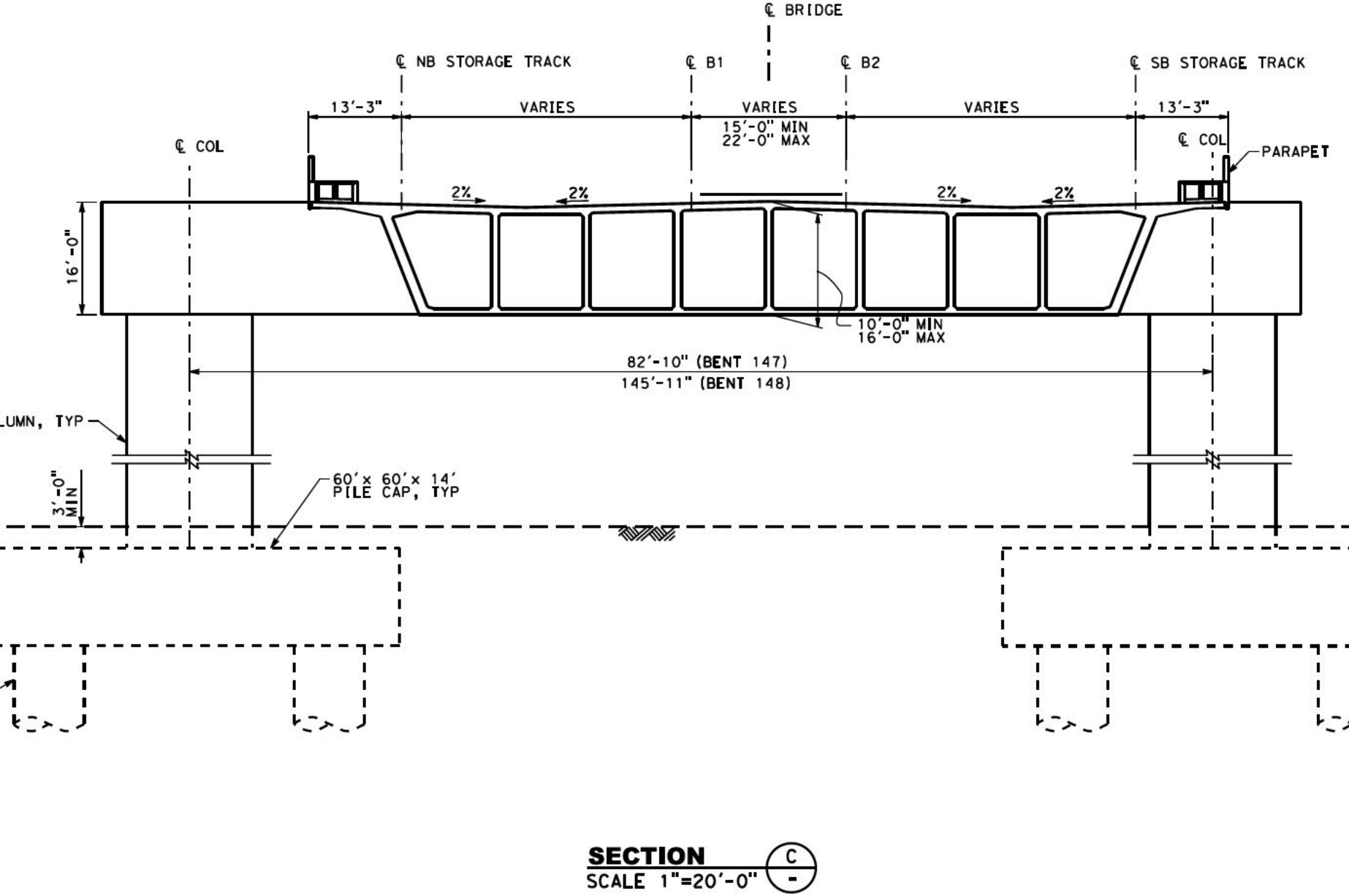
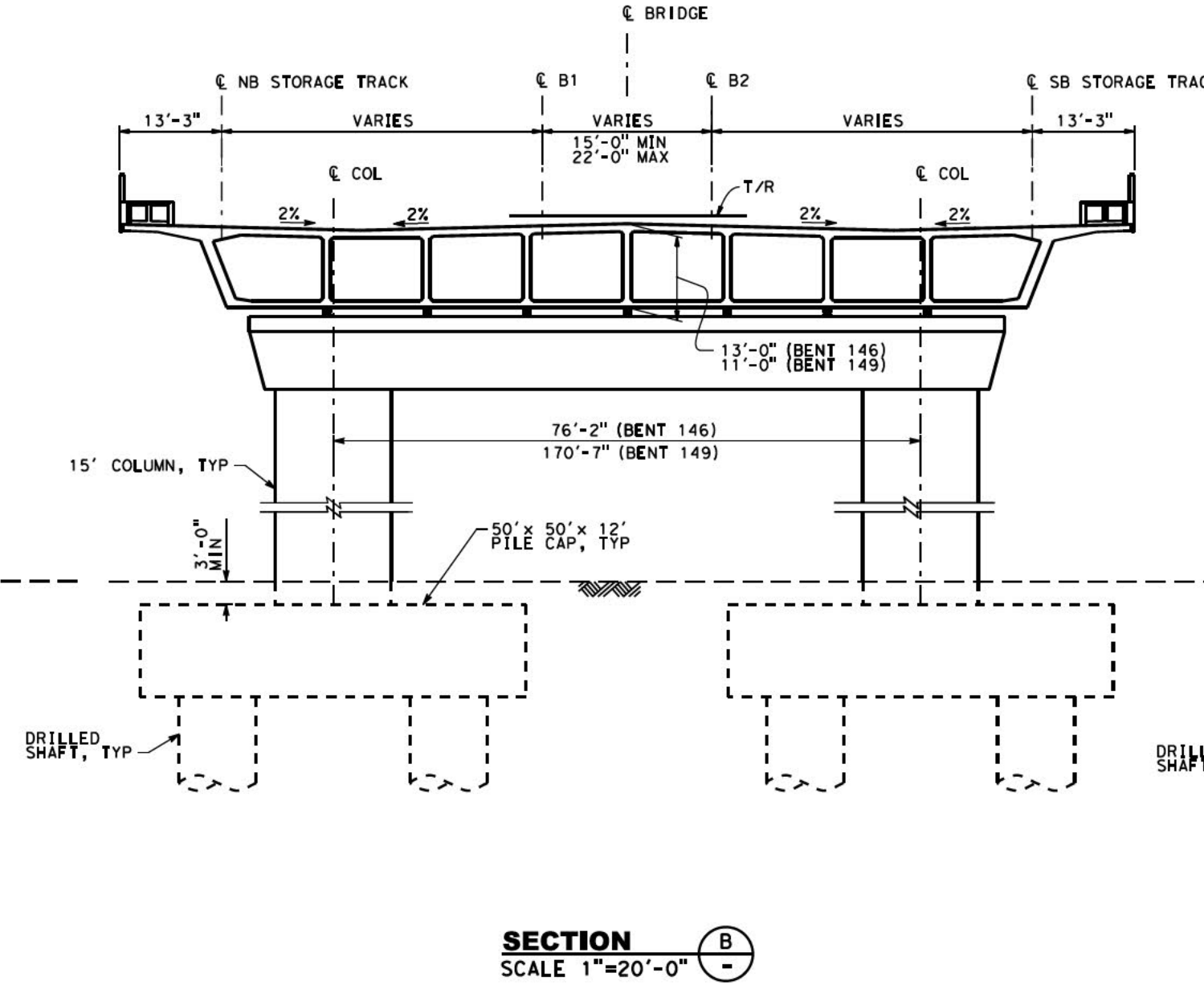
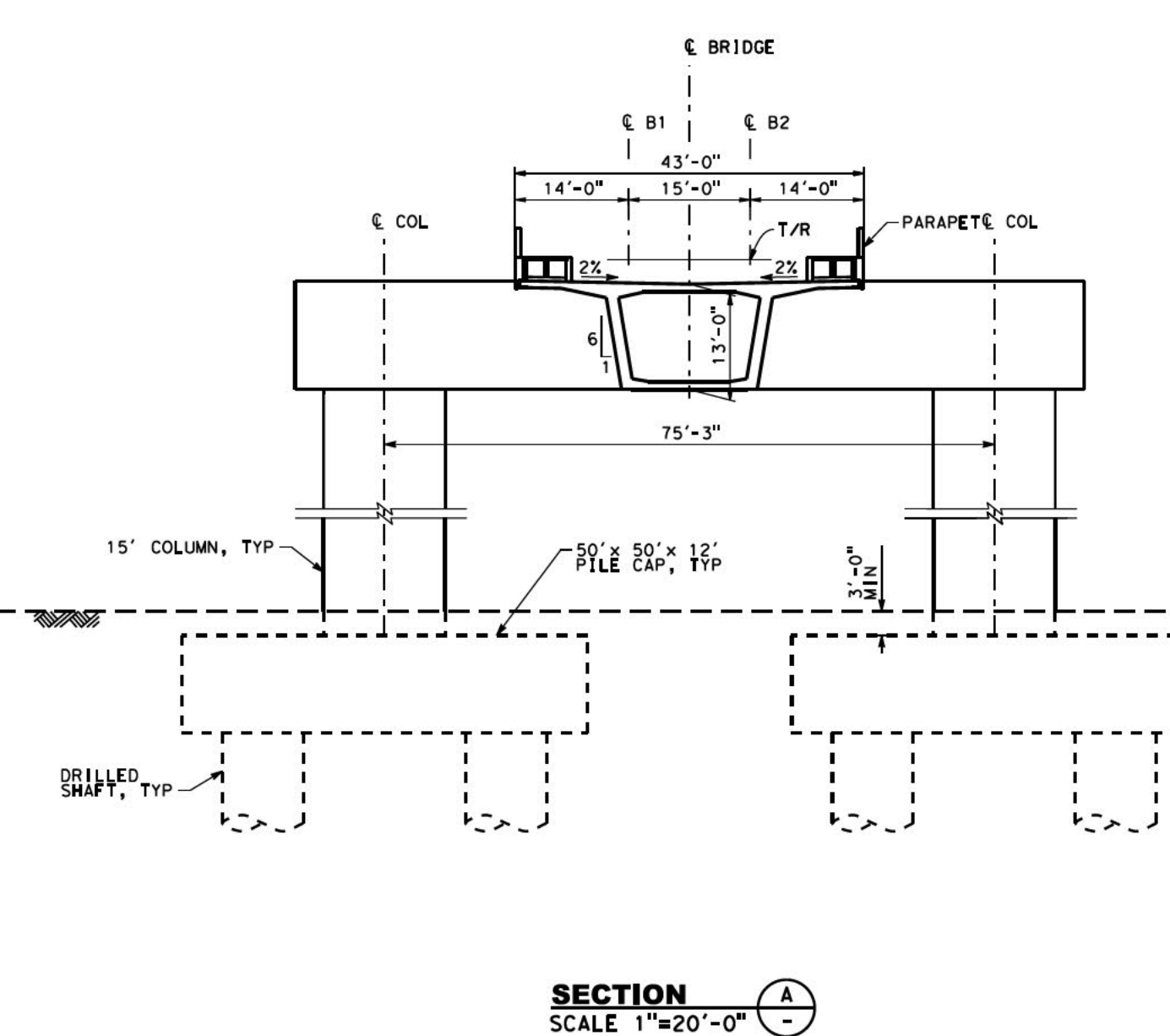
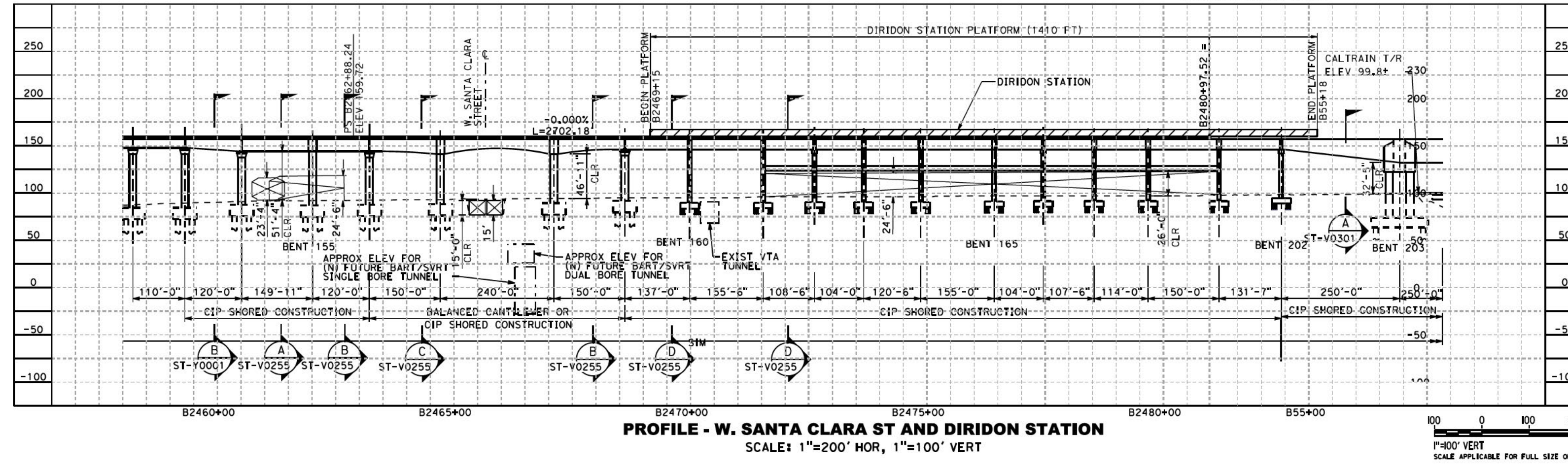
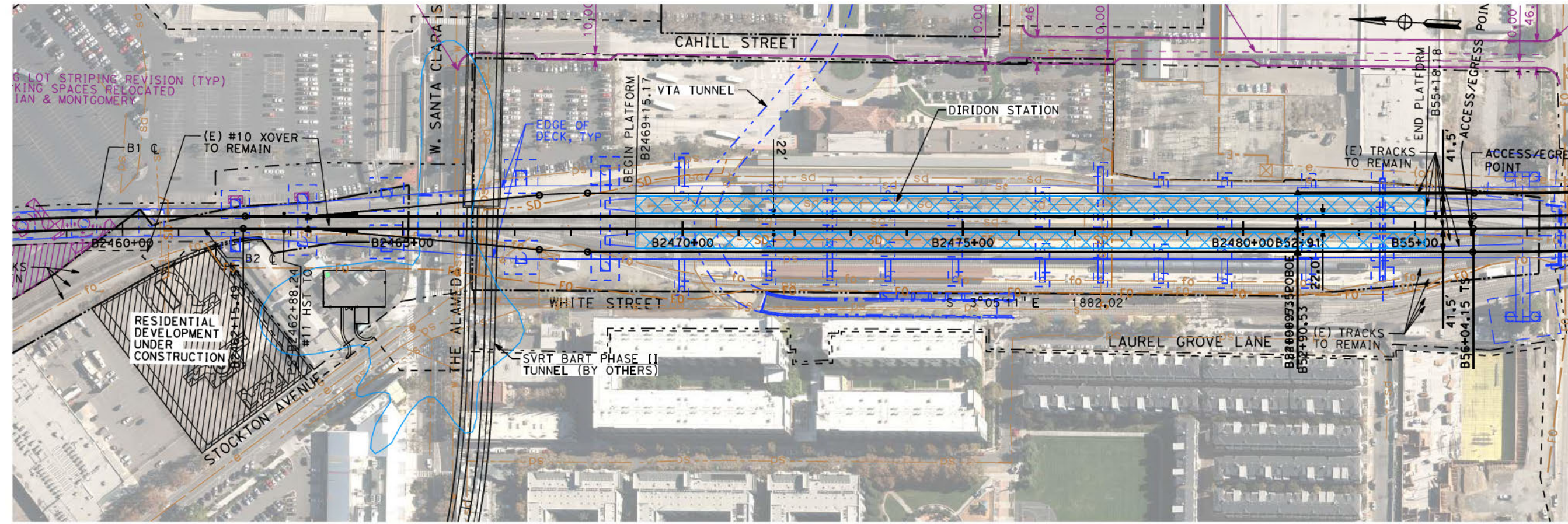


SECTION D-D
SCALE 1"=20'-0"



SAN FRANCISCO TO SAN JOSE EIR/S: VOLUME III
ALTERNATIVE B
BOOK B6
SHEET 134 OF 146

2021 RECORD SET PBD NOVEMBER 30, 2021 NOT FOR CONSTRUCTION	HNTB 1111 Broadway 9th Floor Oakland, CA 94607	CALIFORNIA High-Speed Rail Authority	CALIFORNIA HIGH-SPEED TRAIN PROJECT SAN JOSE TO MERCED SAN JOSE DIRIDON STATION APPROACH VIADUCT TO SCOTT BLVD COMPLEX STRUCTURES GENERAL PLAN 4 OF 5	CONTRACT NO. HSR15-34 DRAWING NO. ST-V0254 SCALE AS SHOWN SHEET NO.
--	--	--	--	---



SAN FRANCISCO TO SAN JOSE EIR/S: VOLUME III
ALTERNATIVE B
BOOK B6
SHEET 135 OF 146

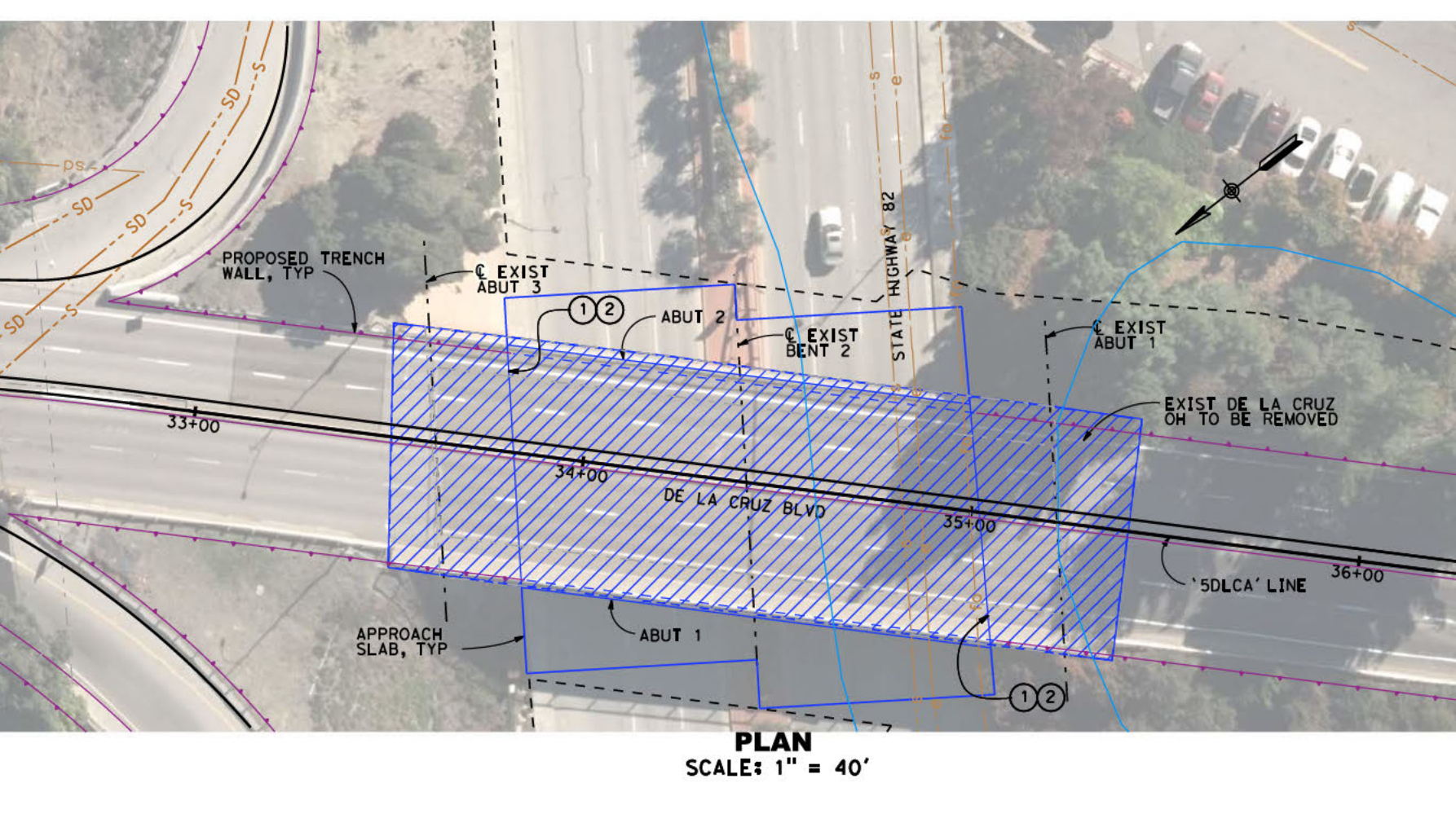
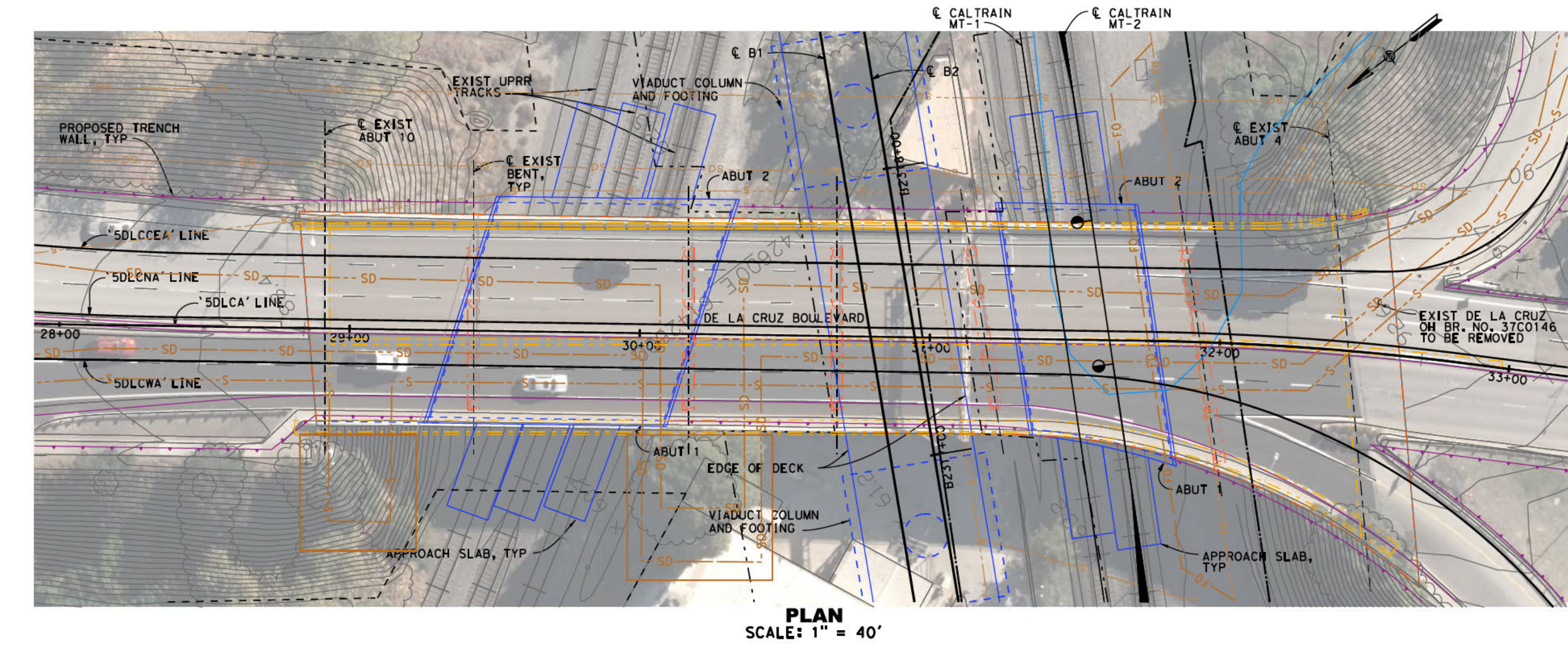
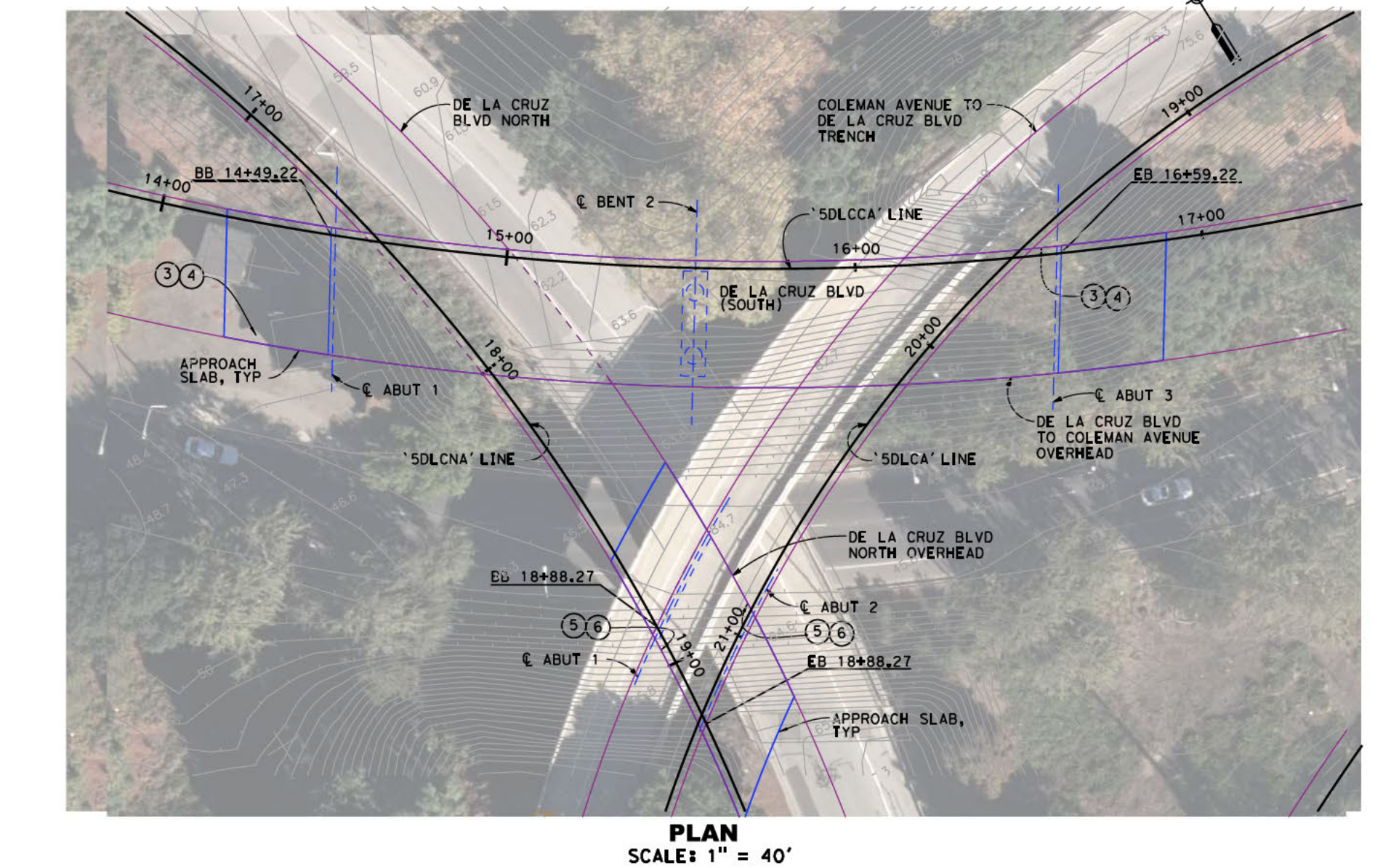
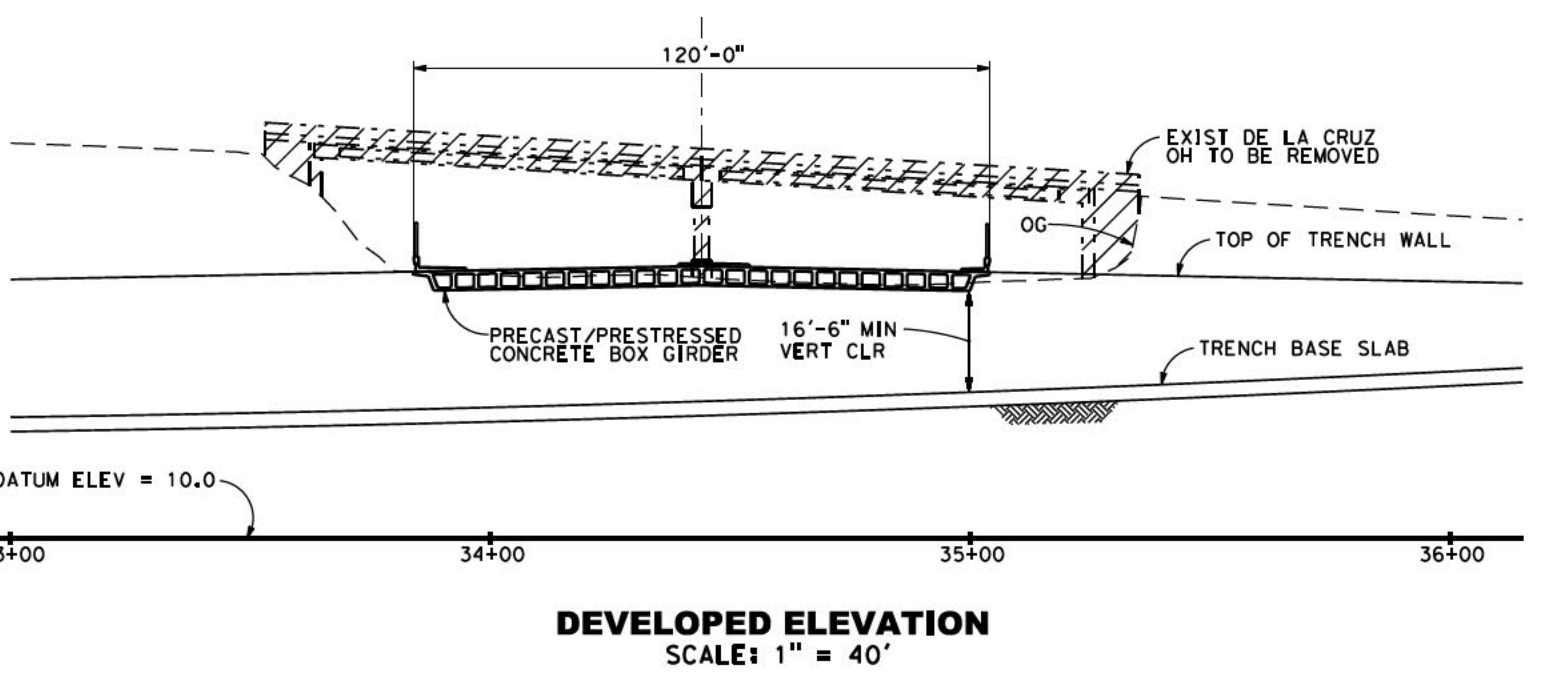
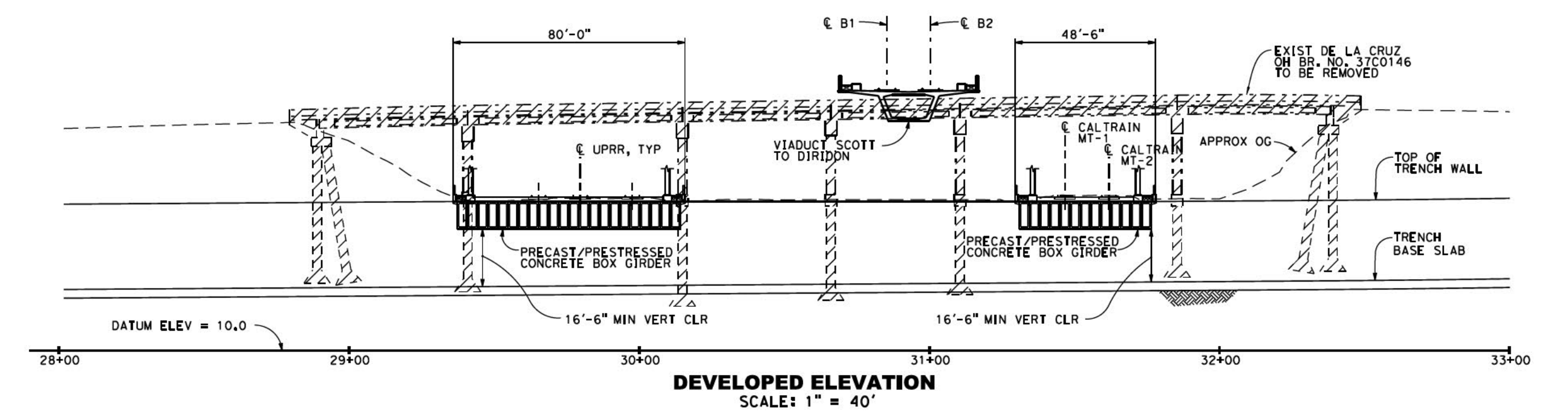
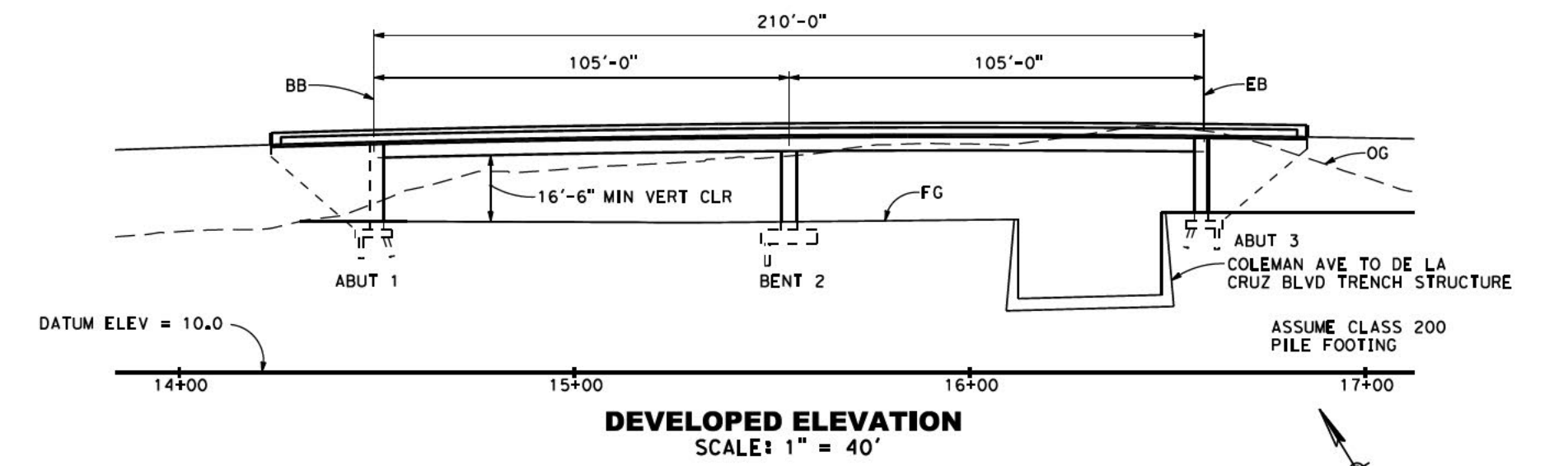
2021 RECORD SET P&ID
NOVEMBER 30, 2021
NOT FOR CONSTRUCTION

HNTB
1111 Broadway
9th Floor
Oakland, CA 94607

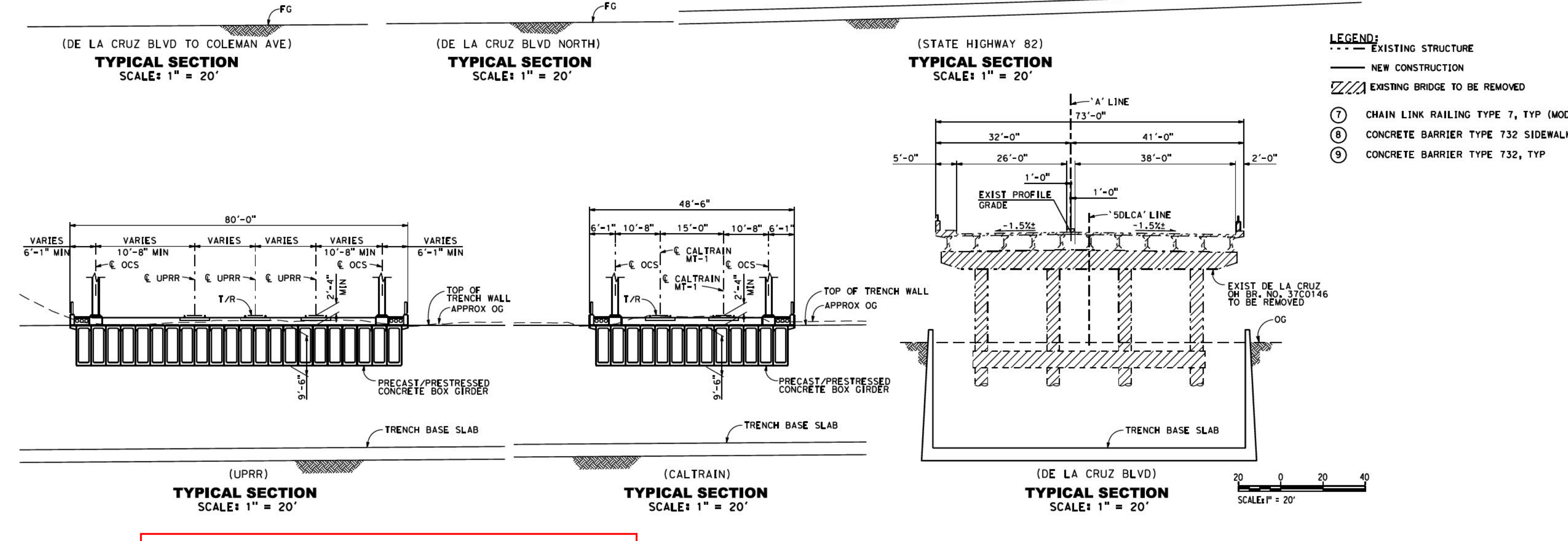
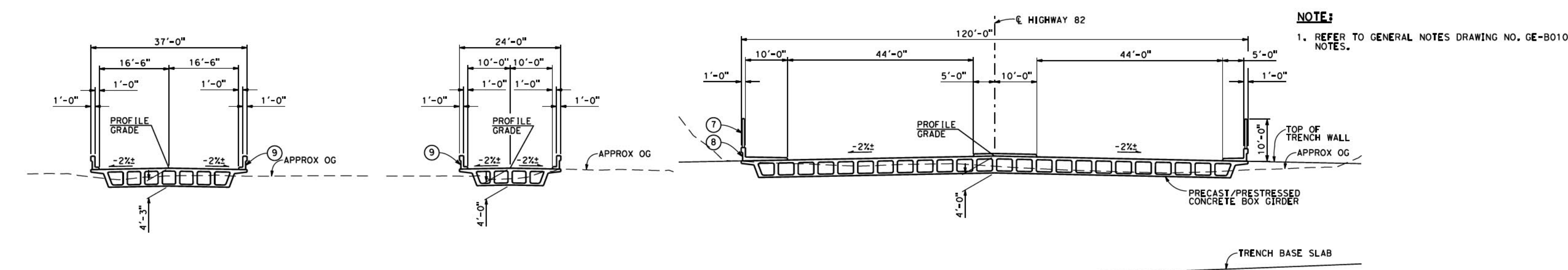
CALIFORNIA
High-Speed Rail Authority

CALIFORNIA HIGH-SPEED TRAIN PROJECT
SAN JOSE TO MERCED
SAN JOSE DIRIDON STATION APPROACH
VIADUCT TO SCOTT BLVD
COMPLEX STRUCTURES
GENERAL PLAN 5 OF 5

CONTRACT NO. HSR15-34
DRAWING NO. ST-V0255
SCALE AS SHOWN
SHEET NO.



- LEGEND:**
- EXISTING STRUCTURE
 - NEW CONSTRUCTION
 - /// EXISTING BRIDGE TO BE REMOVED
 - ① PAINT "SR 82 OVERHEAD"
 - ② PAINT "BRIDGE NO. XX-XXXX"
 - ③ PAINT "DE LA CRUZ OVERHEAD"
 - ④ PAINT "BRIDGE NO. XX-XXXX"
 - ⑤ PAINT "DE LA CRUZ BLVD OVERHEAD"
 - ⑥ PAINT "BRIDGE NO. XX-XXXX"
- NOTES:**
1. STRUCTURE LOCATED AT CALTRAIN MP 44.0.
 2. ANY EXISTING UTILITY THAT CONFLICTS WITH NEW CONSTRUCTION SHALL BE RELOCATED UNLESS OTHERWISE NOTED.
 3. VEHICULAR TRAFFIC WILL BE DETOURED DURING CONSTRUCTION.
 4. SEE DRAWING TT-D2026-JM FOR COMPOSITE INFORMATION.



- LEGEND:**
- EXISTING STRUCTURE
 - NEW CONSTRUCTION
 - /// EXISTING BRIDGE TO BE REMOVED
 - ⑦ CHAIN LINK RAILING TYPE 7, TYP (MOD)
 - ⑧ CONCRETE BARRIER TYPE 732 SIDEWALK
 - ⑨ CONCRETE BARRIER TYPE 732, TYP

SAN FRANCISCO TO SAN JOSE EIR/S: VOLUME III
ALTERNATIVE B
BOOK B6
SHEET 136 OF 146

2021 RECORD SET P&P
NOVEMBER 30, 2021
NOT FOR CONSTRUCTION

HNTB
1111 Broadway
9th Floor
Oakland, CA 94607

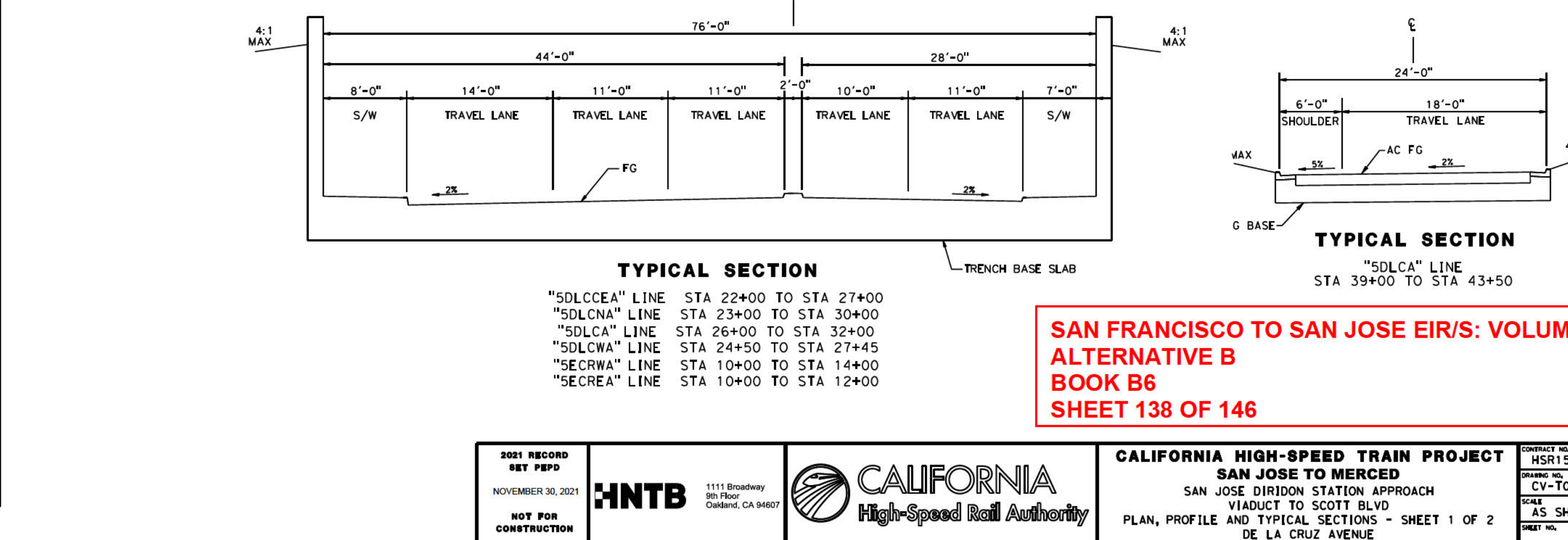
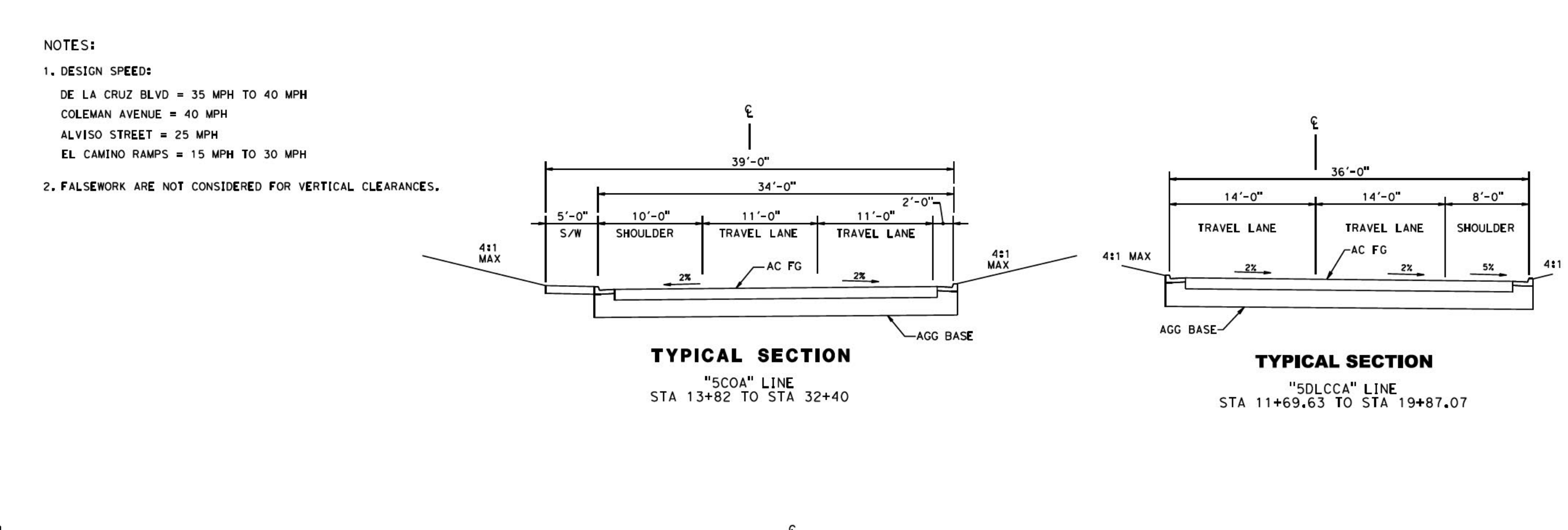
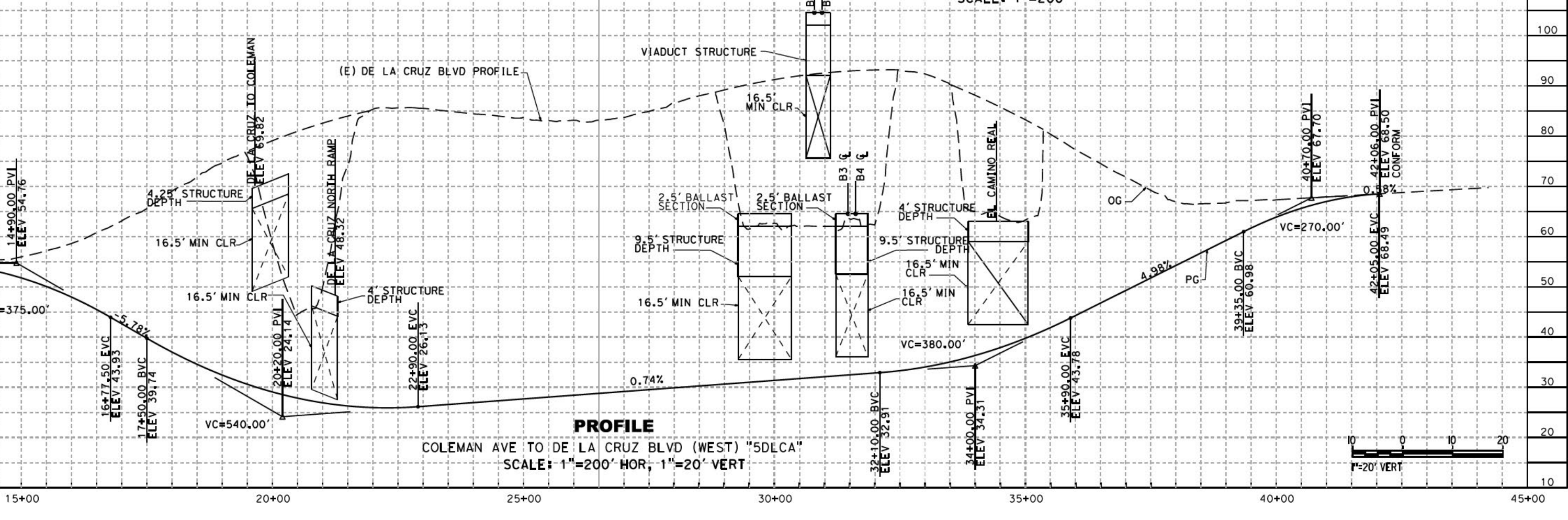
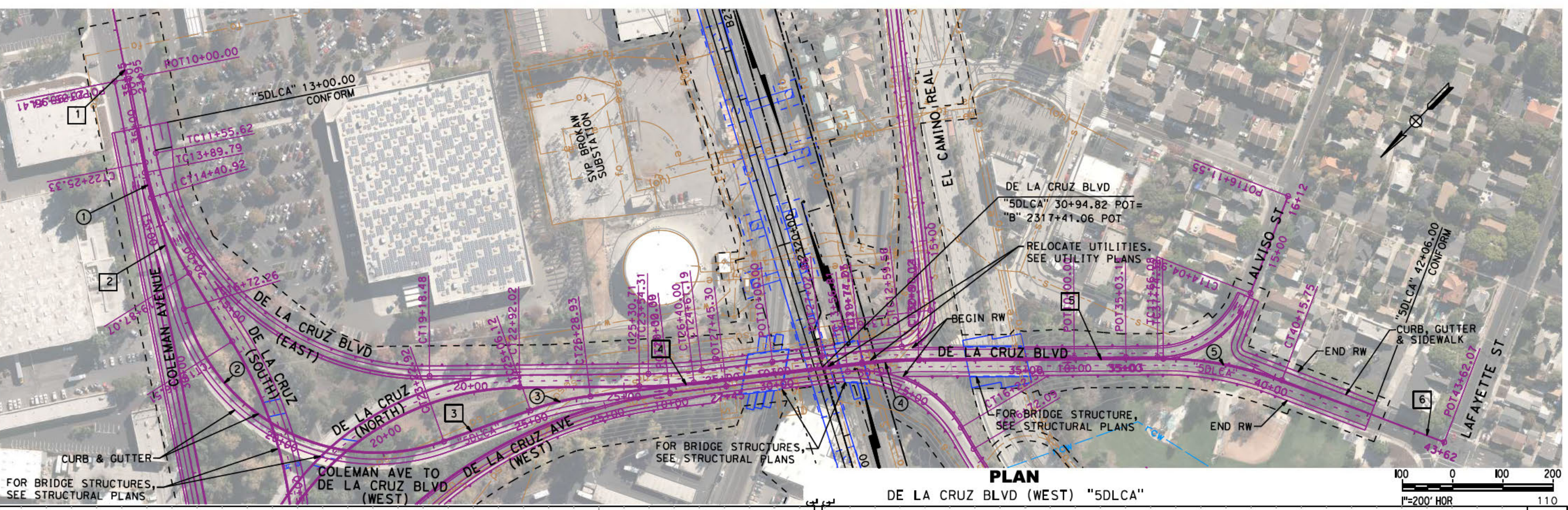
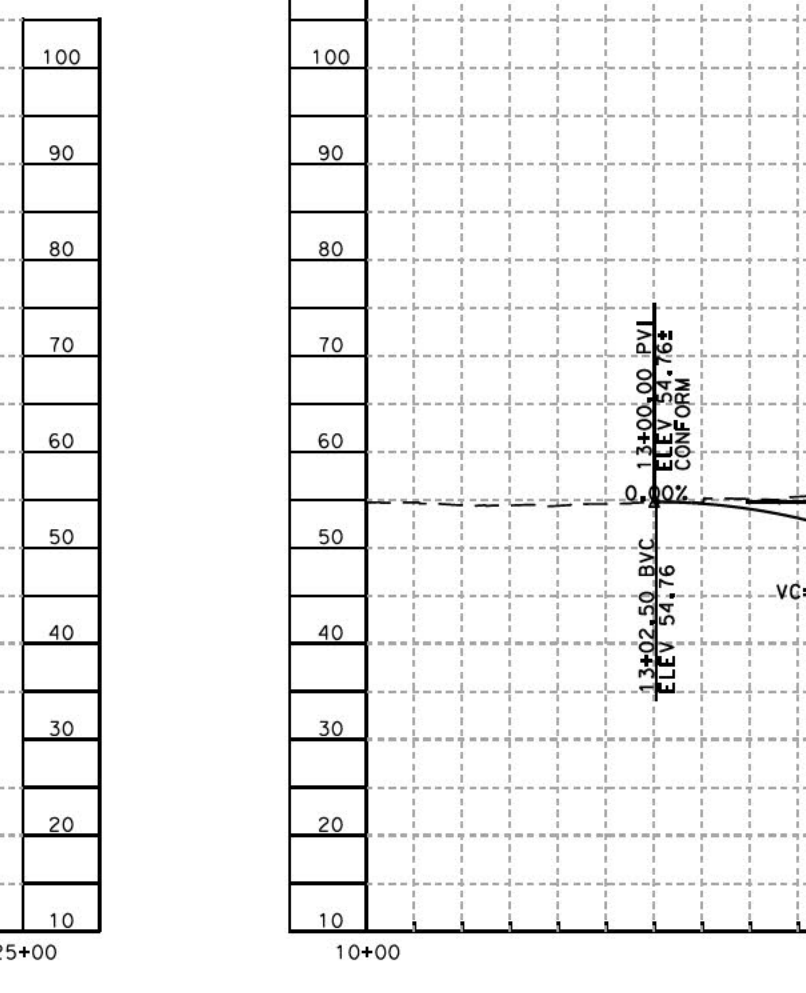
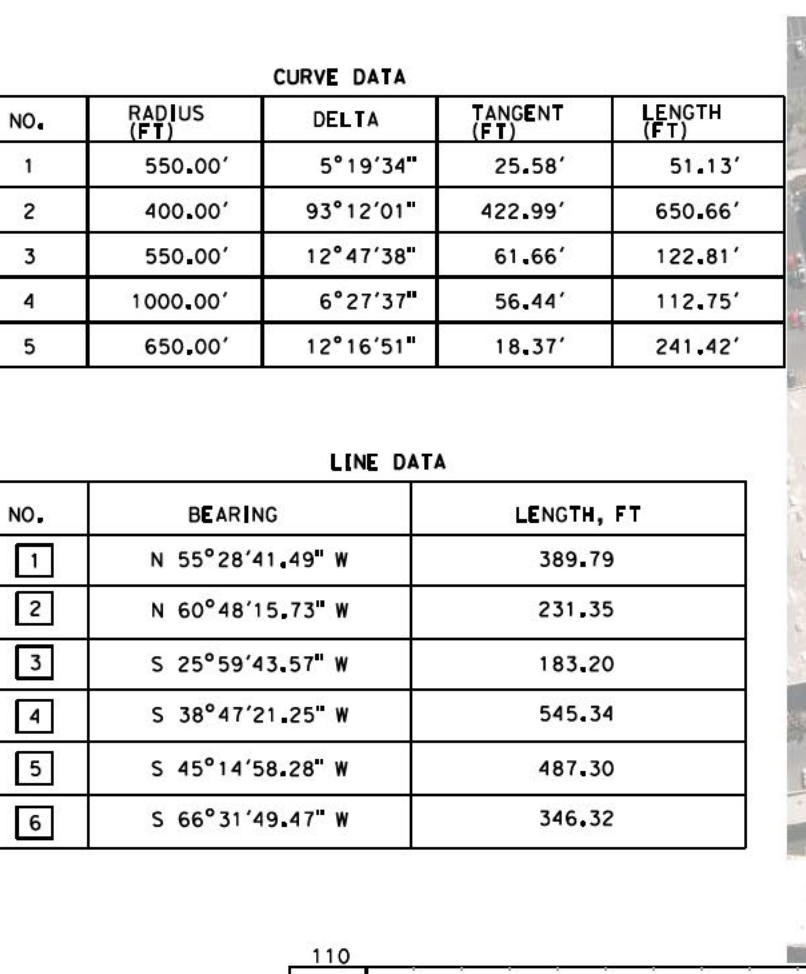
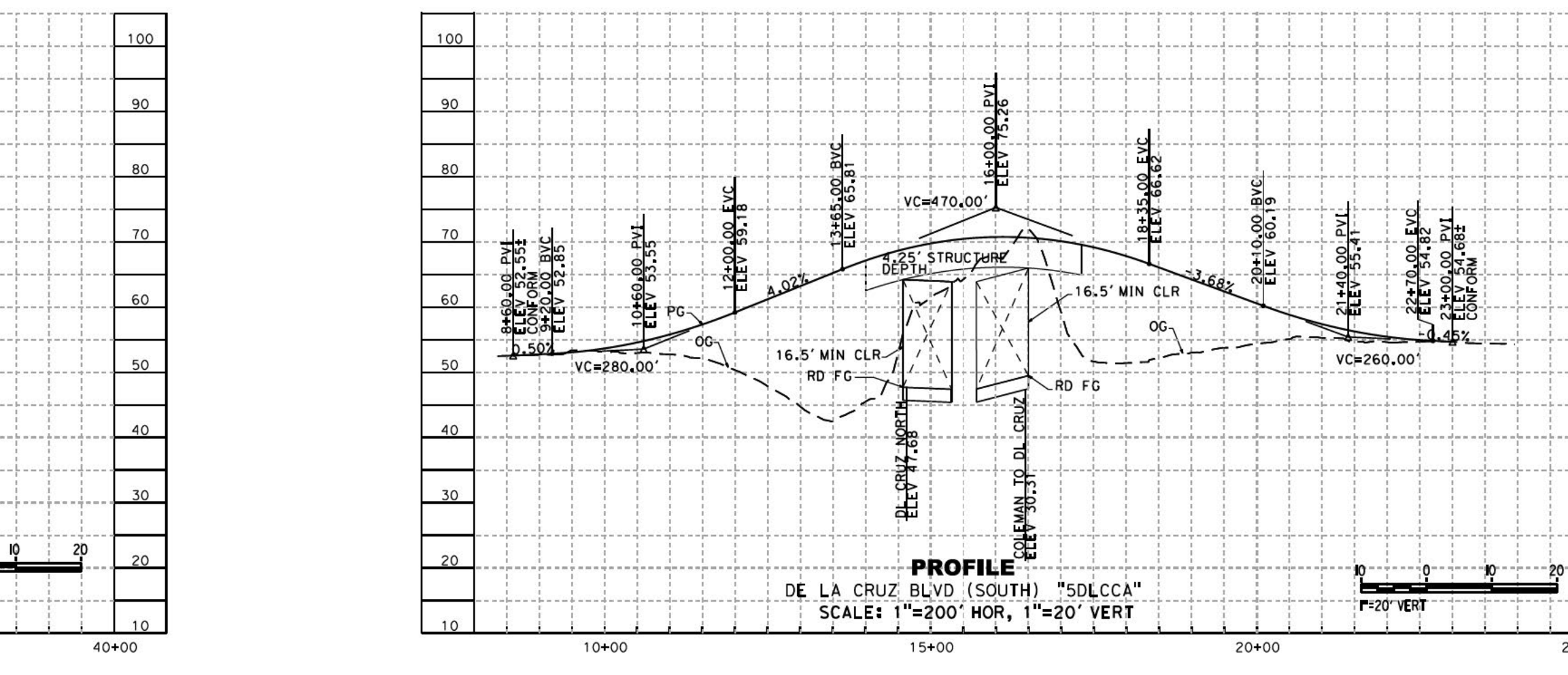
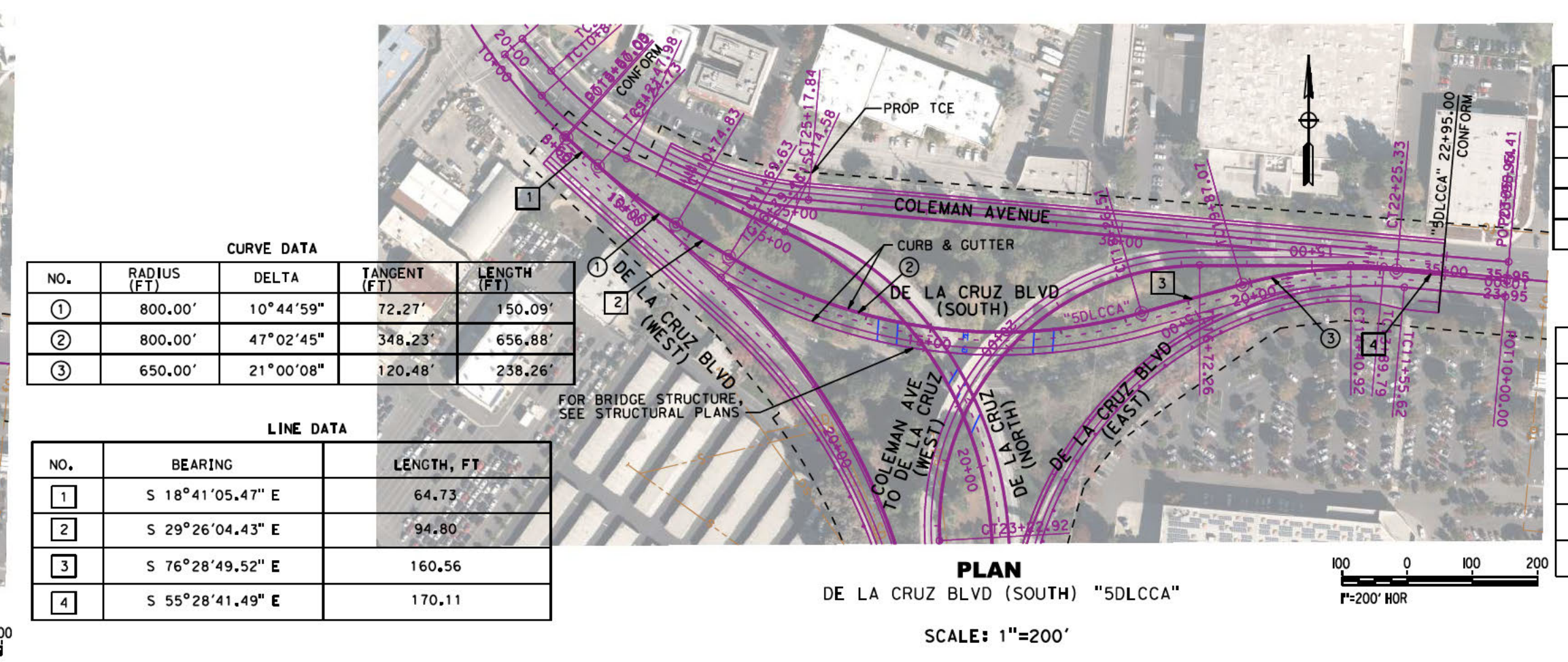
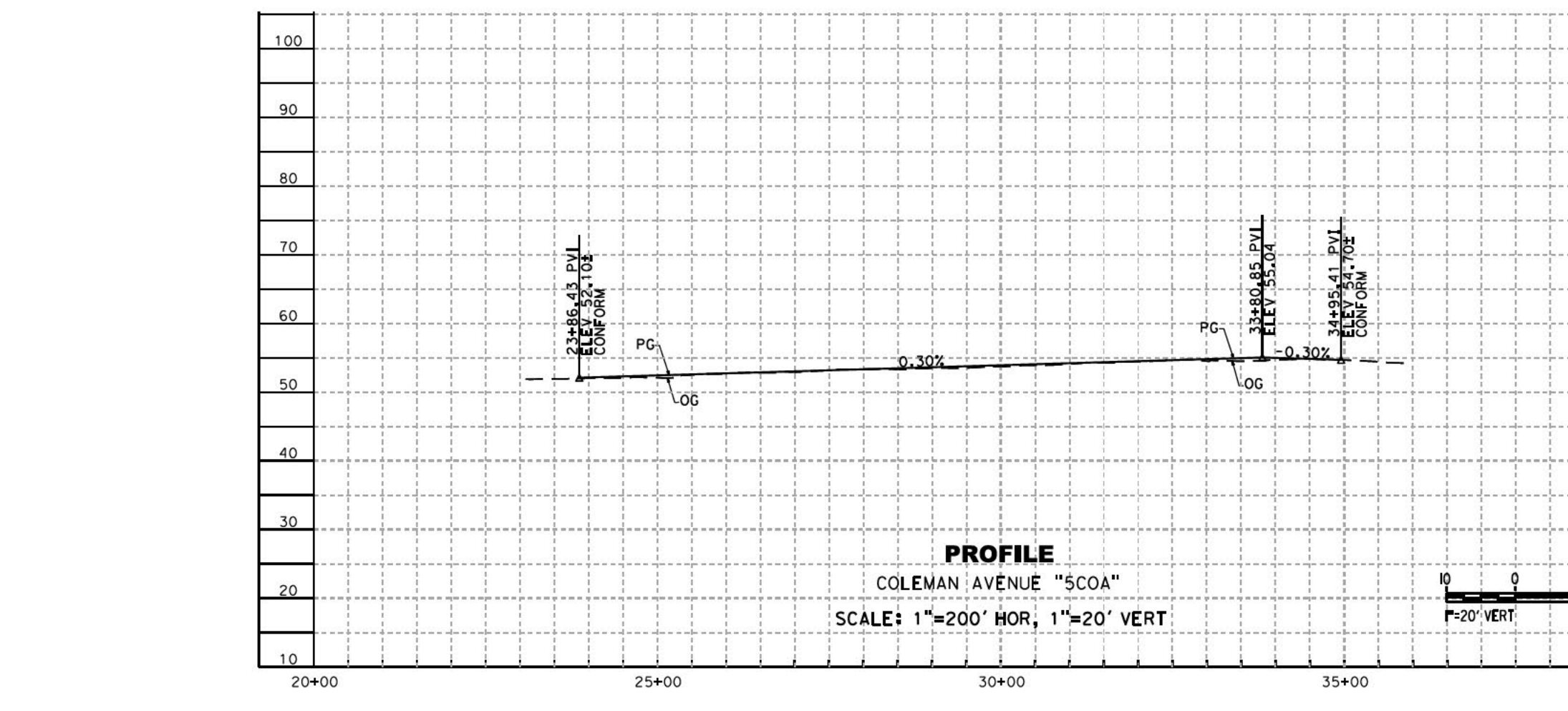
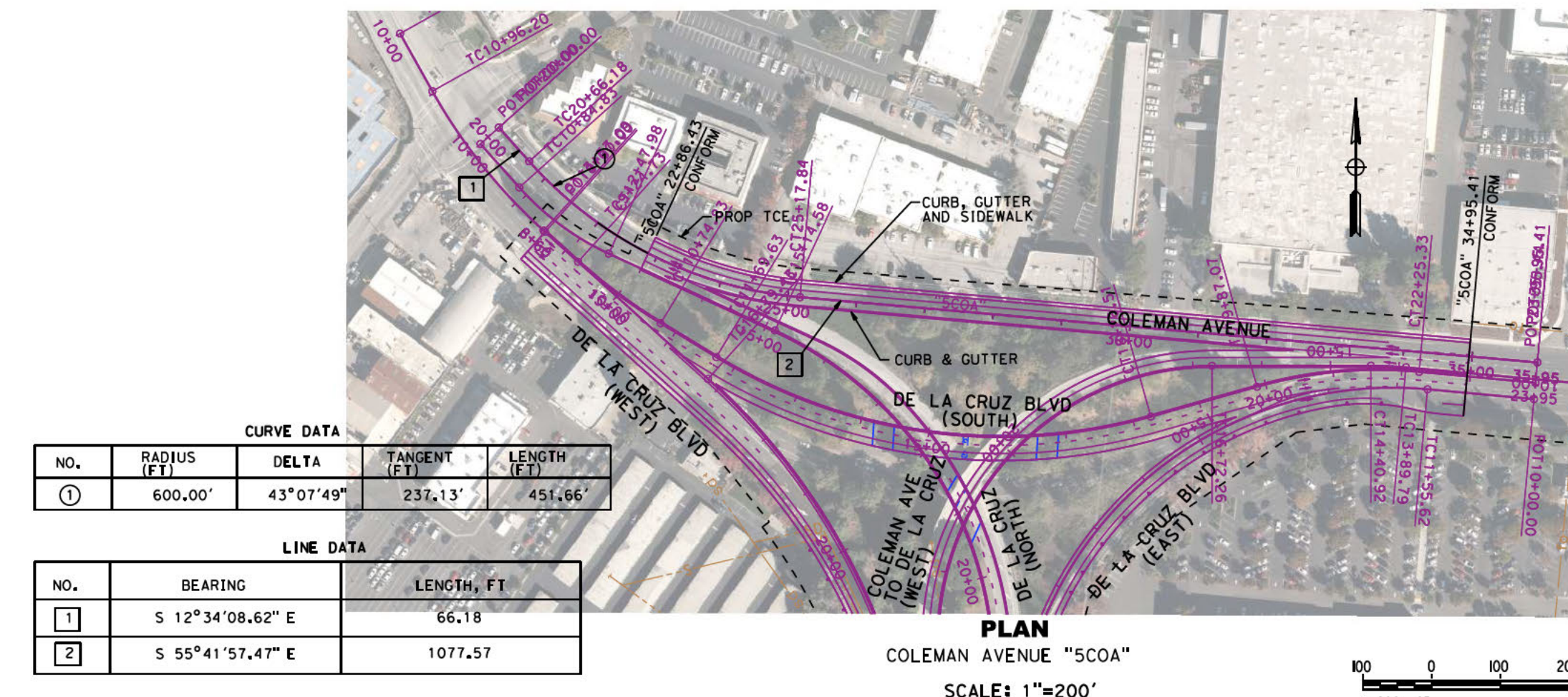
CALIFORNIA
High-Speed Rail Authority

CALIFORNIA HIGH-SPEED TRAIN PROJECT
SAN JOSE TO MERCED
SAN JOSE DIRIDON STATION APPROACH
VIADUCT TO SCOTT BLVD
OVERPASSES AND UNDERPASSES
DE LA CRUZ BLVD BRIDGES

CONTRACT NO. HSR15-34
DRAWING NO. ST-T0251
SCALE AS SHOWN
SHEET NO.

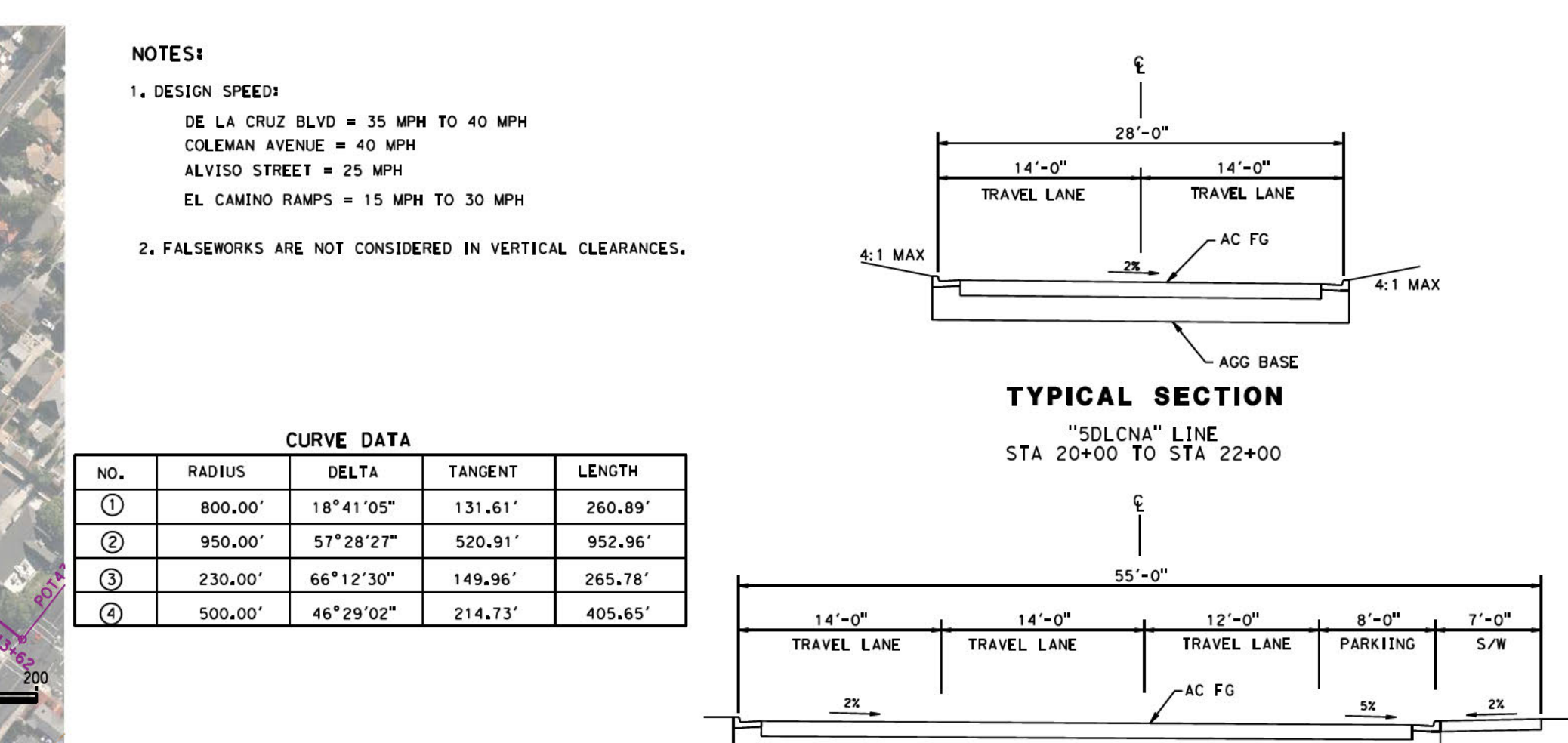
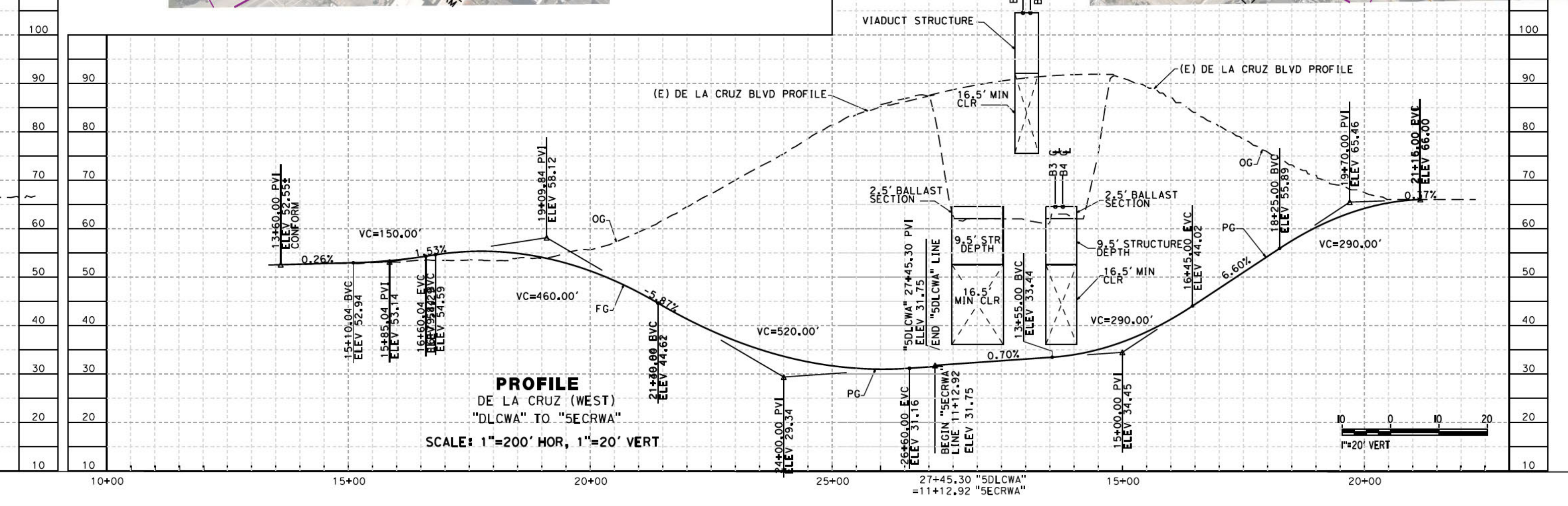
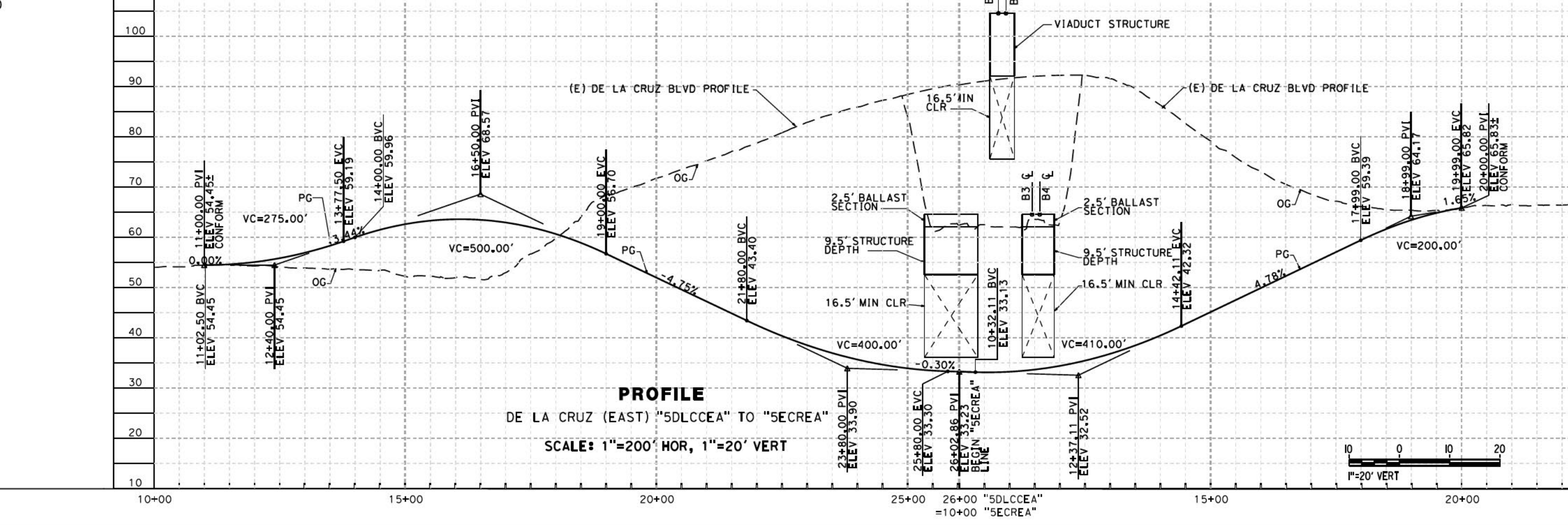
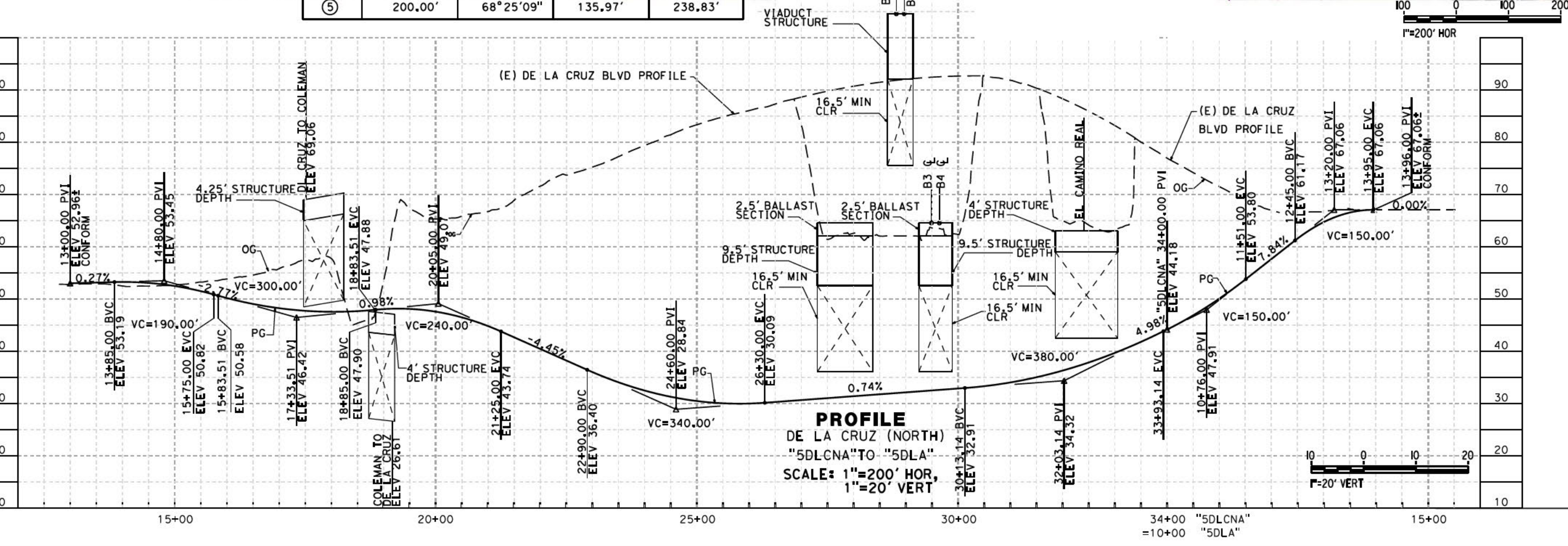
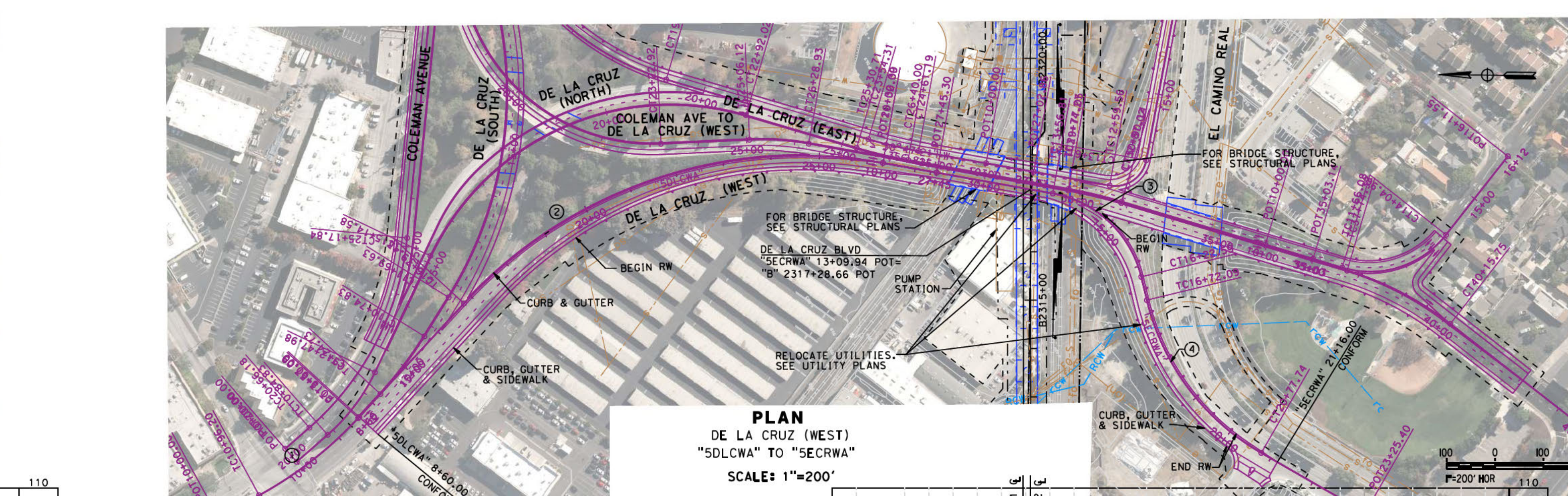
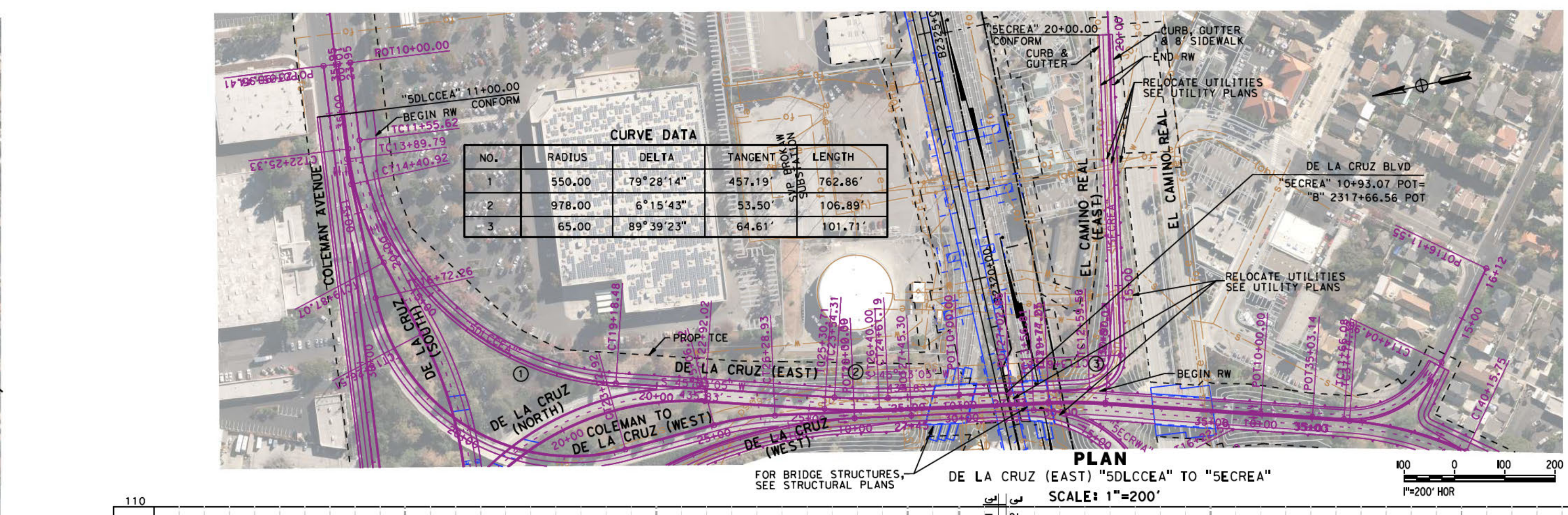
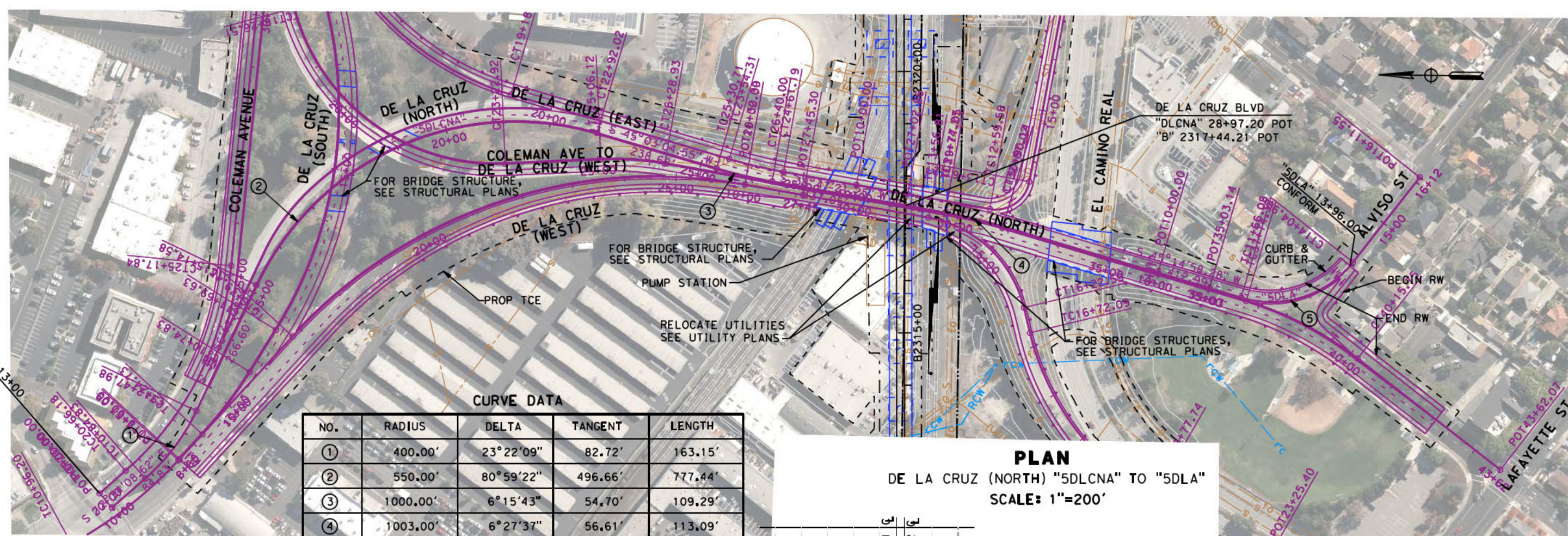
DE LA CRUZ BLVD

USER: WATER DATE: 11/16/2021 TIME: 10:58:15 AM #FILES: 1 #SHEETS: 146 #PLOTS: 1



NOTES:
 1. DESIGN SPEED:
 DE LA CRUZ BLVD = 35 MPH TO 40 MPH
 COLEMAN AVENUE = 40 MPH
 ALVISO STREET = 25 MPH
 EL CAMINO RAMPS = 15 MPH TO 30 MPH
 2. FALSEWORK ARE NOT CONSIDERED FOR VERTICAL CLEARANCES.

SAN FRANCISCO TO SAN JOSE EIR/S: VOLUME III
 ALTERNATIVE B
 BOOK B6
 SHEET 138 OF 146



NOTES:

- DESIGN SPEED:
DE LA CRUZ BLVD = 35 MPH TO 40 MPH
COLEMAN AVENUE = 40 MPH
ALVISO STREET = 25 MPH
EL CAMINO RAMPS = 15 MPH TO 30 MPH
- FALSEWORKS ARE NOT CONSIDERED IN VERTICAL CLEARANCES.

2021 RECORD SET PBD
NOVEMBER 30, 2021
NOT FOR CONSTRUCTION

HNTB
1111 Broadway
9th Floor
Oakland, CA 94607

CALIFORNIA High-Speed Rail Authority

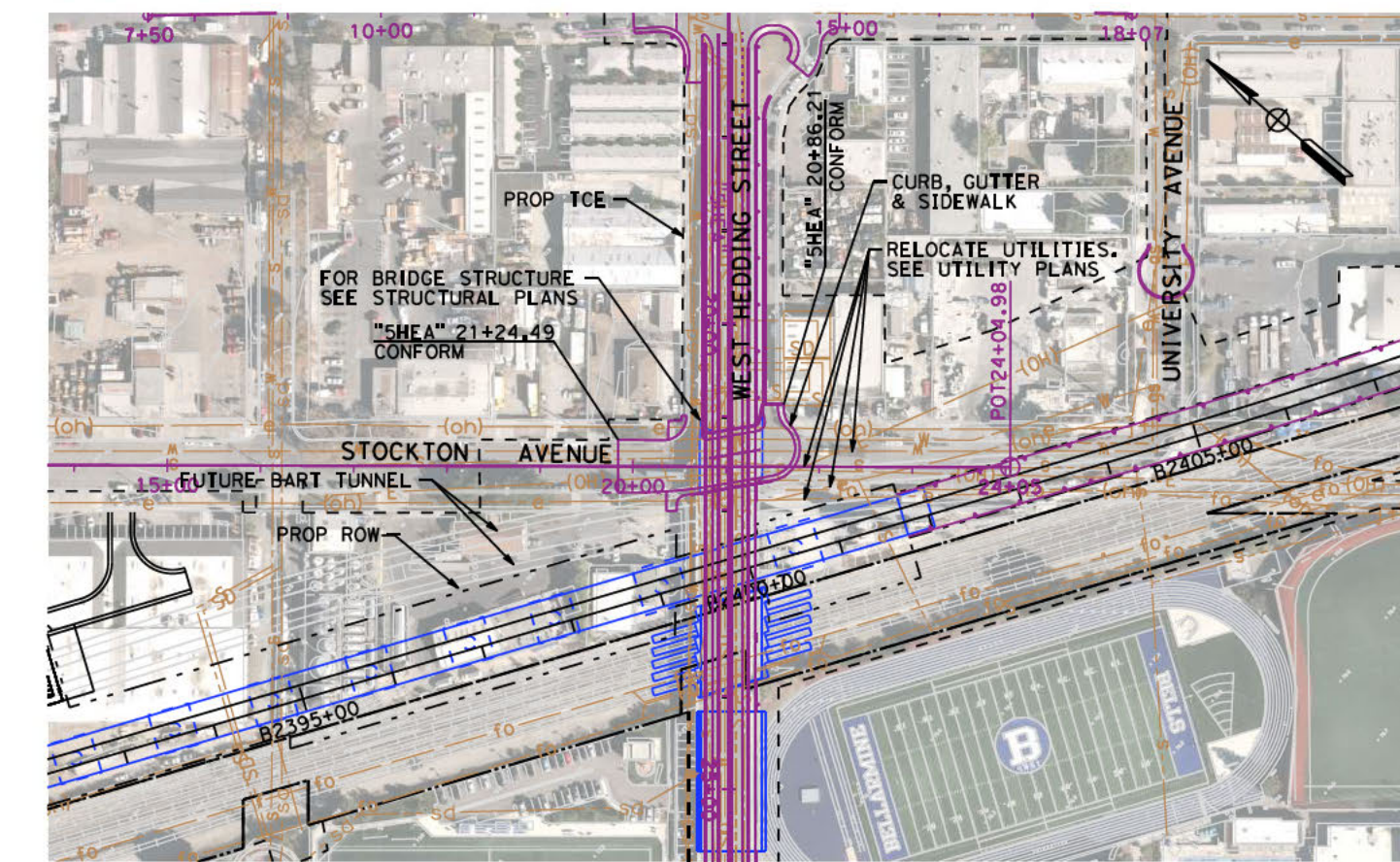
CALIFORNIA HIGH-SPEED TRAIN PROJECT
SAN JOSE TO MERCED
SAN JOSE DIRIDON STATION APPROACH
VIADUCT TO SCOTT BLVD
DE LA CRUZ AVENUE

CONTRACT NO. HSR15-34
DRAWING NO. CV-T0252
SCALE AS SHOWN
SHEET NO.

SAN FRANCISCO TO SAN JOSE EIR/S: VOLUME III
ALTERNATIVE B
BOOK B6
SHEET 139 OF 146

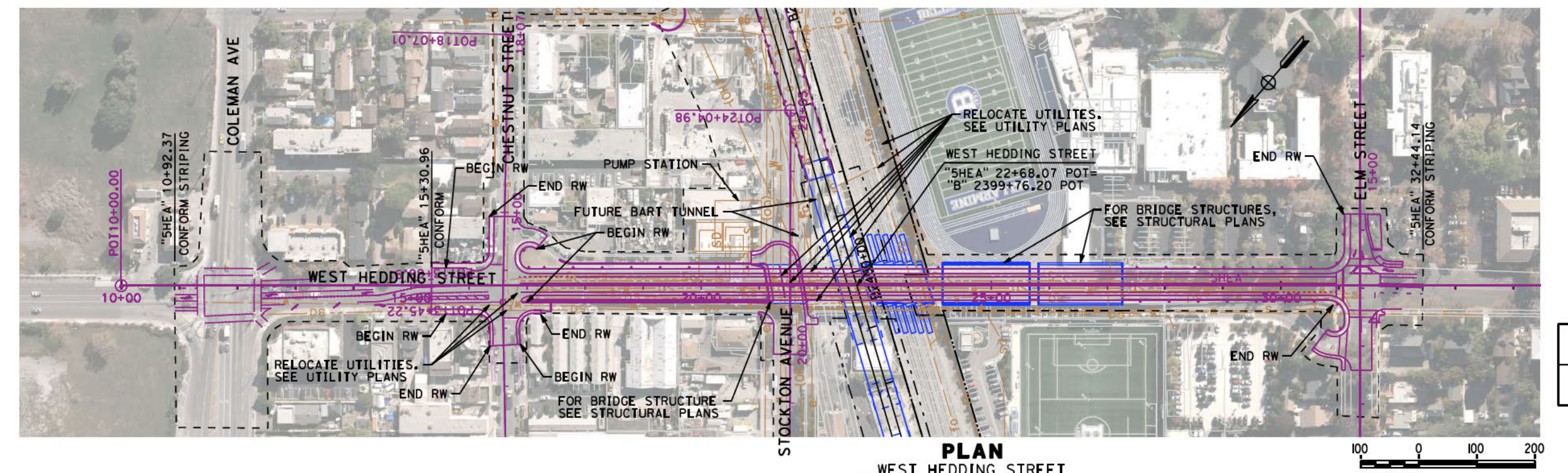
PLAN, PROFILE AND TYPICAL SECTIONS - SHEET 2 OF 2

12/2/2021 2:14:57 PM C:\p02\cadd\civil\bayarea\46831\cadd\p02\2w\alt146.dwg 187725.dwg - 10/25/21



PLAN
STOCKTON AVENUE
SCALE: 1"=200'

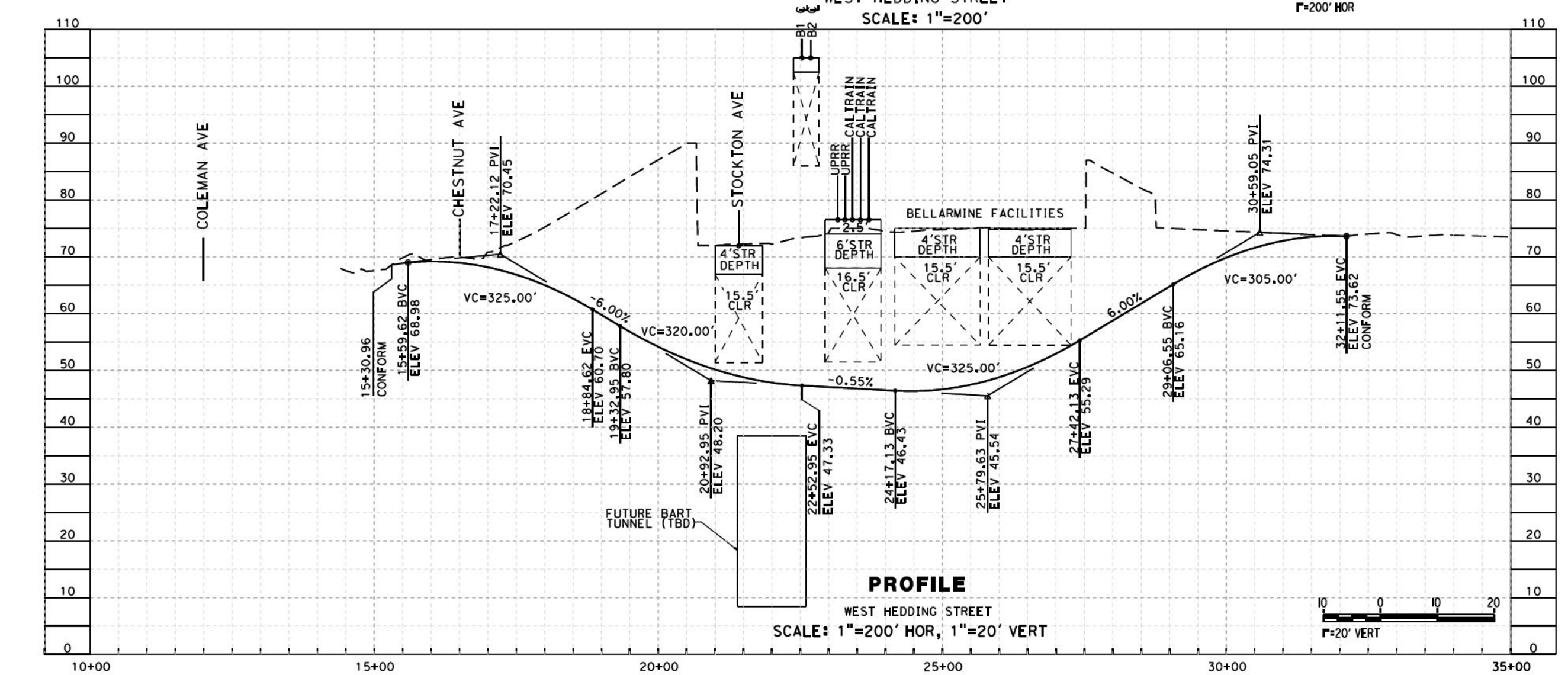
NO PROFILE REQUIRED



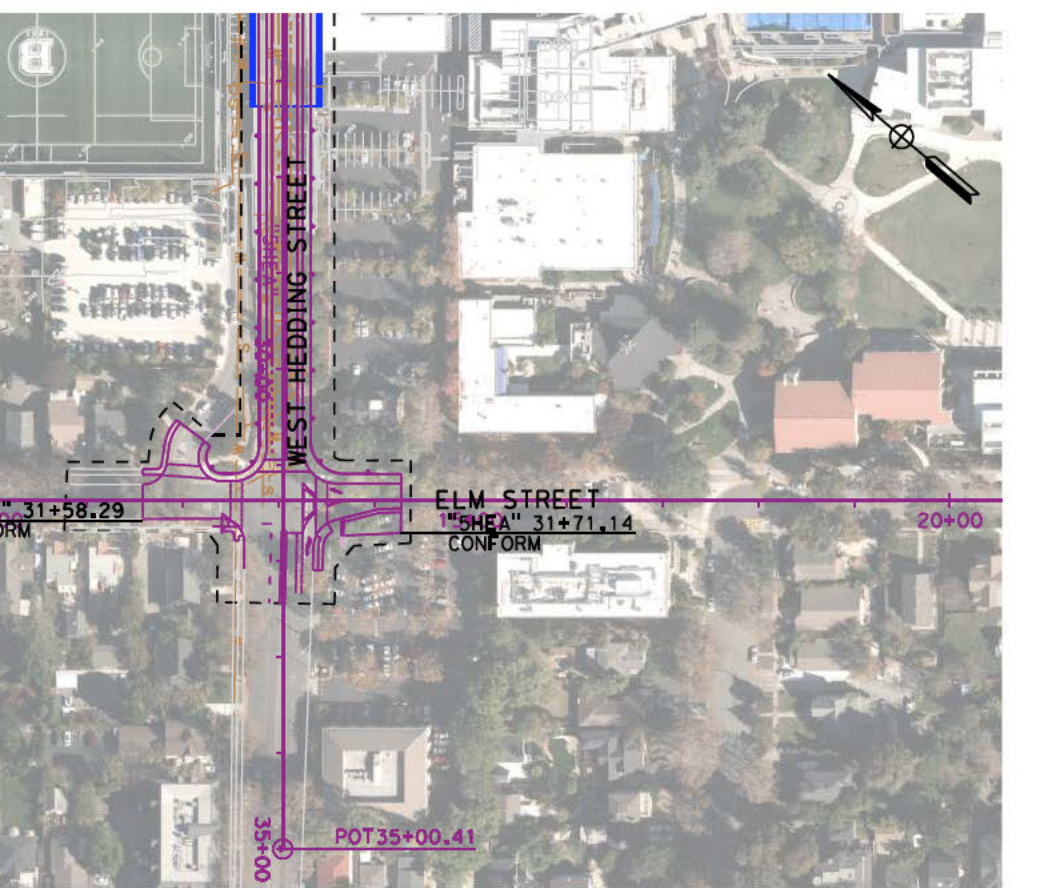
PLAN
WEST HEDDING STREET
SCALE: 1"=200'

LINE DATA

NO.	BEARING	LENGTH
1	S 49°36'57" W	2500.00'



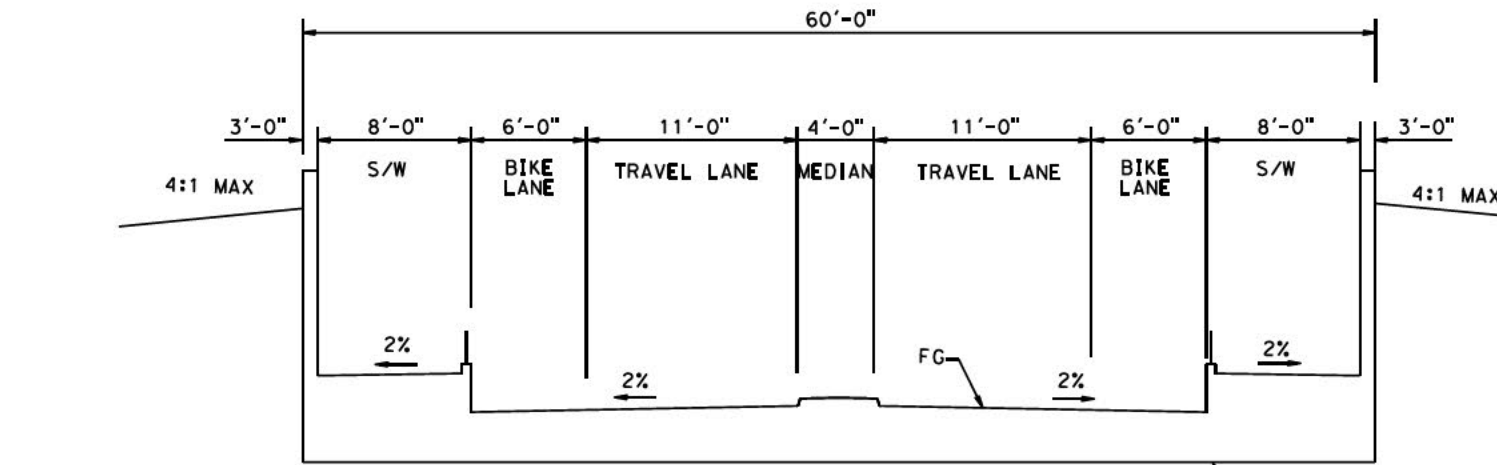
PROFILE
WEST HEDDING STREET
SCALE: 1"=200' HOR, 1"=20' VERT



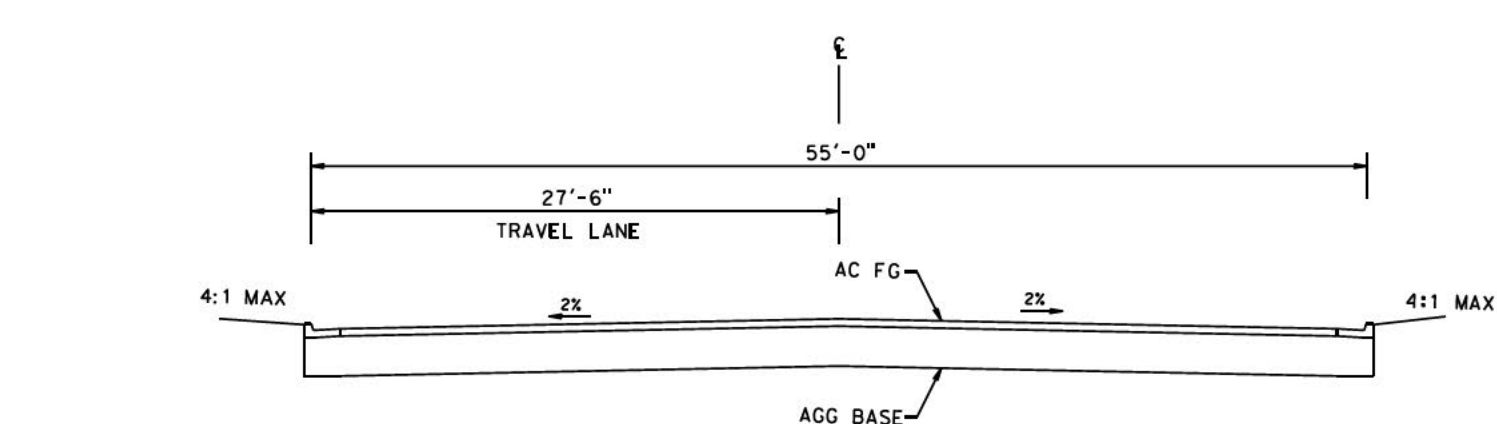
PLAN
ELM STREET
SCALE: 1"=200'

NO PROFILE REQUIRED

- NOTES:**
- DESIGN SPEED (WEST HEDDING ST) = 35 MPH
 - FALSEWORK ARE NOT CONSIDERED FOR VERTICAL CLEARANCES.



TYPICAL SECTION
WEST HEDDING STREET
"SHEA" 17+00.00 TO 30+85.88

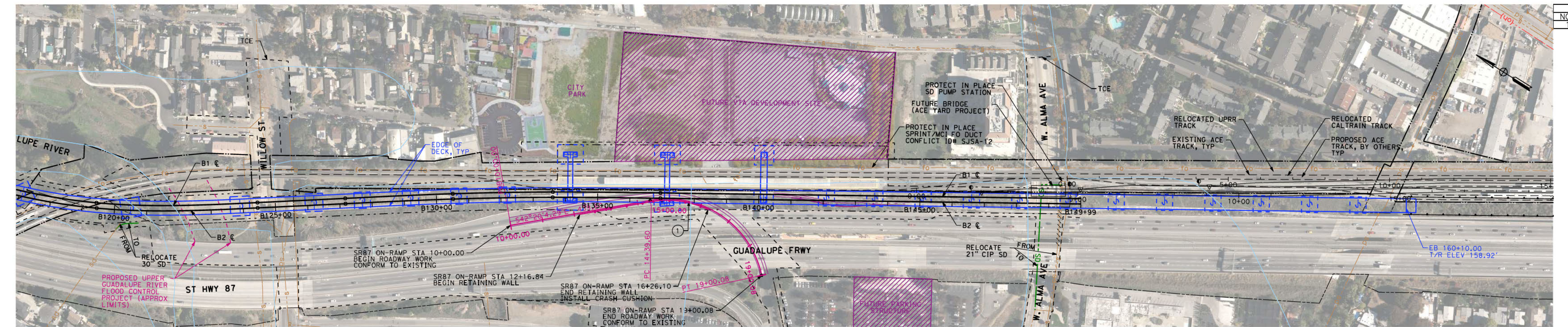


TYPICAL SECTION
STOCKTON AVENUE

SAN FRANCISCO TO SAN JOSE EIR/S: VOLUME III
ALTERNATIVE B
BOOK B6
SHEET 140 OF 146

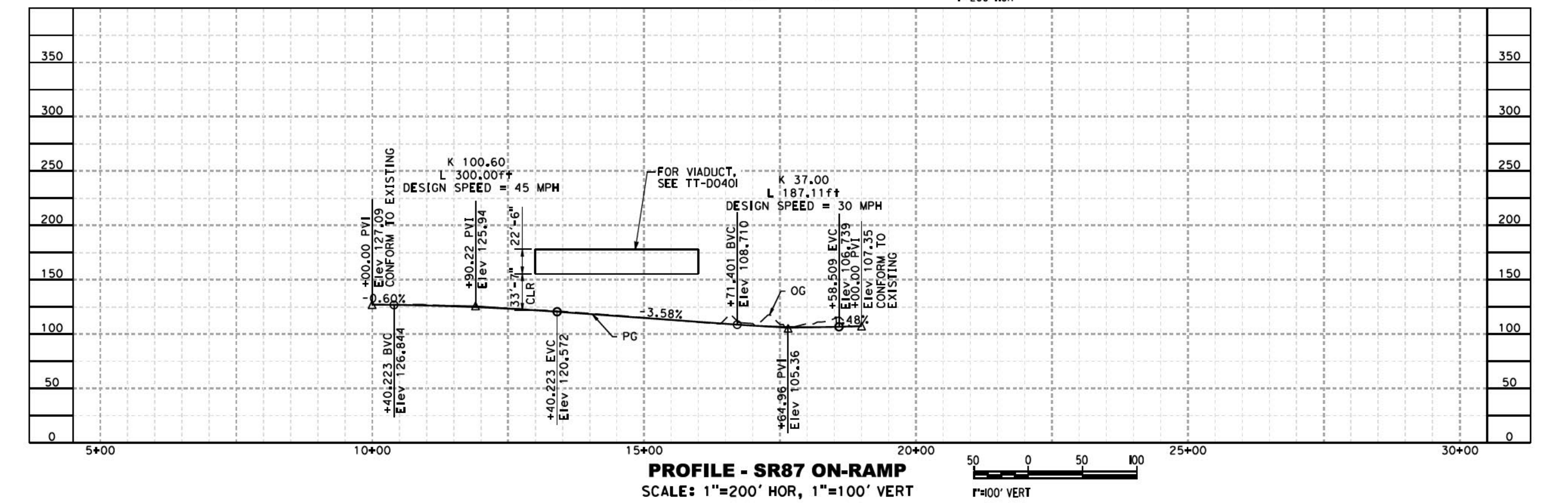
2021 RECORD SET PBD NOVEMBER 30, 2021 NOT FOR CONSTRUCTION		1111 Broadway 9th Floor Oakland, CA 94607		CALIFORNIA HIGH-SPEED TRAIN PROJECT SAN JOSE TO MERCED SAN JOSE DIRIDON STATION APPROACH VIADUCT TO SCOTT BLVD PLAN, PROFILE AND TYPICAL SECTIONS WEST HEDDING STREET	CONTRACT NO. HSR15-34 DRAWING NO. CV-T0253 SCALE AS SHOWN SHEET NO.
--	--	---	--	--	---

5/27/2021 10:52:52 AM C:\Users\jwheeler\OneDrive\Documents\2021\1156\1156.dwg - 141.dwg
 11/15/2021 10:52:52 AM C:\Users\jwheeler\OneDrive\Documents\2021\1156\1156.dwg - 141.dwg
 11/15/2021 10:52:52 AM C:\Users\jwheeler\OneDrive\Documents\2021\1156\1156.dwg - 141.dwg

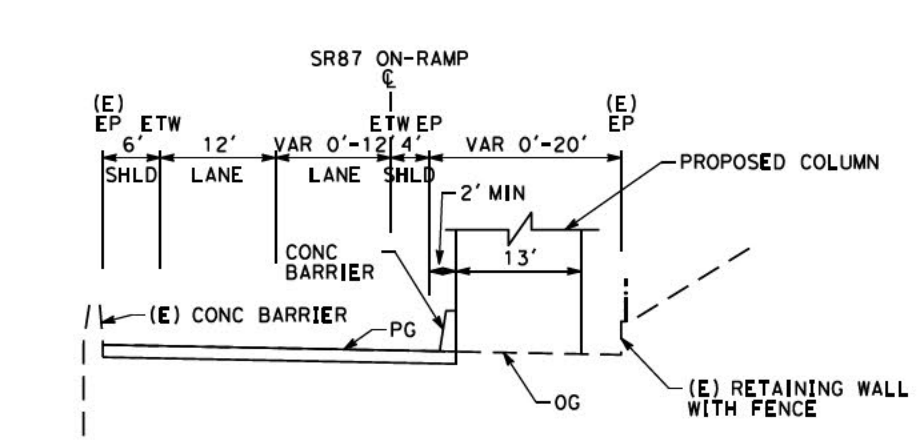


CURVE DATA SR87 ON-RAMP				
NO.	R	Δ	L	T
1	300	87°56'43.36"	460.481	289.430

PLAN - SR87 ON-RAMP
SCALE: 1"=100'



PROFILE - SR87 ON-RAMP
SCALE: 1"=200' HOR, 1"=100' VERT



TYPICAL SECTION
SCALE: 1"=20'
SR87 ON-RAMP STA 10+00 TO SR87 ON-RAMP STA 19+00.08

NOTE:
1. REFER TO GENERAL NOTES SHEETS GE-B0001 AND GE-B0002 FOR NOTES.

SAN FRANCISCO TO SAN JOSE EIR/S: VOLUME III
ALTERNATIVE B
BOOK B6
SHEET 141 OF 146

2021 RECORD SET PBD NOVEMBER 30, 2021 NOT FOR CONSTRUCTION	HNTB 1111 Broadway 9th Floor Oakland, CA 94607	CALIFORNIA High-Speed Rail Authority	CALIFORNIA HIGH-SPEED TRAIN PROJECT SAN JOSE TO MERCED MONTEREY CORRIDOR VIADUCT AT-GRADE GRADE SEPARATION LAYOUT, PROFILE, & CROSS SECTIONS SR87 ON-RAMP	CONTRACT NO. HSR15-34 DRAWING NO. CV-T0401 SCALE AS SHOWN SHEET NO.
--	--	--	--	---

11/23/2021 9:41:47 AM CAHSR.tbl cvd_paf_bw.plt c:\vccdd1\p\p\hntb_josyong\46037_cahsr\dms18491\FJ-TT-B0201-JM.dgn

CURVE	ELEMENT	POINT TYPE	MT2 TRACK STATION	COORDINATES		RADIUS (FT)	LENGTH (FT)	DELTA, Δ	K	P	DESIGN SPEED (MPH)	ACTUAL SUPERELEVATION (EA) (IN)	UNBALANCED SUPERELEVATION (EA) (IN)	BEARING (0°00'00") (TANGENT)	WCB (0°00'00")	
				NORTHING	EASTING										START ANGLE	END ANGLE
	Tangent	POB	2249+30.49	1958660.556	6136583.724									S 60°30'05" E		
	Tangent	TS	2249+50.49	1958650.708	6136601.132											
	Clothoid	TS	2249+50.49	1958650.708	6136601.132										S 60°30'05" E	S 60°28'22" E
	Clothoid	SPI	2250+00.49	1958626.087	6136644.650		75	0°01'43"	37.5	0.00						
	Clothoid	SC	2250+25.49	1958613.766	6136666.403											
	Arc	SC	2250+25.49	1958613.766	6136666.403											
C189	Arc	PI	2250+87.37	1958583.270	6136720.245	75000	123.76	0°05'40"			110	0.50	0.15			
	Arc	CC		1893354.725	6099703.483											
	Arc	CS	2251+49.25	1958552.686	6136774.036											
	Clothoid	CS	2251+49.25	1958552.686	6136774.036										S 60°22'41" E	S 60°20'58" E
	Clothoid	SPI	2251+74.25	1958540.329	6136795.769		75	0°01'43"	37.5	0.00						
	Clothoid	ST	2252+24.25	1958515.593	6136839.222											
	Tangent	ST	2252+24.25	1958515.593	6136839.222									S 60°20'58" E		
	Tangent	TS	2256+36.17	1958311.813	6137197.204											
	Clothoid	TS	2256+36.17	1958311.813	6137197.204										S 60°20'58" E	S 60°22'41" E
	Clothoid	SPI	2256+86.17	1958287.077	6137240.657		75	0°01'43"	37.5	0.00						
	Clothoid	SC	2257+11.17	1958274.721	6137262.390											
	Arc	SC	2257+11.17	1958274.721	6137262.390											
C190	Arc	PI	2257+71.84	1958244.731	6137315.135	75000	121.35	0°05'34"			110	0.50	0.15			
	Arc	CC		2023472.681	6174332.943											
	Arc	CS	2258+32.52	1958214.826	6137367.928											
	Clothoid	CS	2258+32.52	1958214.826	6137367.928										S 60°28'15" E	S 60°29'58" E
	Clothoid	SPI	2258+57.52	1958202.504	6137389.681		75	0°01'43"	37.5	0.00						
	Clothoid	ST	2259+07.52	1958177.883	6137433.198											

**SAN FRANCISCO TO SAN JOSE EIR/S: VOLUME III
ALTERNATIVE B
BOOK B6
SHEET 142 OF 146**

REV	DATE	BY	CHK	APP	DESCRIPTION

DESIGNED BY	
DRAWN BY	
CHECKED BY	
IN CHARGE	
DATE	

2021 RECORD SET PEPP
NOVEMBER 30, 2021
NOT FOR CONSTRUCTION

HNTB
1111 Broadway
9th Floor
Oakland, CA 94607



CALIFORNIA HIGH-SPEED TRAIN PROJECT
SAN JOSE TO MERCED
SAN JOSE DIRIDON STATION APPROACH
VIADUCT TO SCOTT BLVD
TRACK ALIGNMENT DATA TABLE
CURVE NO. C189 AND C190

CONTRACT NO.	HSR15-34
DRAWING NO.	TT-B0201-JM
SCALE	NONE
SHEET NO.	

11/23/2021 9:41:51 AM CAHSR.tbl c:\v\cadd\1b\p\w\hntb_josyang_46037_cahsr\dms18491\FJ-TT-B0202-JM.dgn

CURVE	ELEMENT	POINT TYPE	MT2 TRACK STATION	COORDINATES		RADIUS (FT)	LENGTH (FT)	DELTA, Δ	K	P	DESIGN SPEED (MPH)	ACTUAL SUPERELEVATION (EA) (IN)	UNBALANCED SUPERELEVATION (EU) (IN)	BEARING (0°00'00") (TANGENT)	WCB (0°00'00")	
				NORTHING	EASTING										START ANGLE	END ANGLE
	Tangent	ST	2259+07.52	1958177.883	6137433.198									S 60°29'58" E		
	Tangent	TS	2272+99.99	1957492.186	6138645.137											
	Cosine	TS	2272+99.99	1957492.186	6138645.137										S 60°29'58" E	S 60°44'09" E
	Cosine	SPI	2275+31.86	1957378.004	6138846.948		330	0°14'11"	165	0.06						
	Cosine	SC	2276+29.99	1957330.036	6138932.552											
	Arc	SC	2276+29.99	1957330.036	6138932.552											
C191	Arc	PI	2278+04.76	1957244.601	6139085.018	40000	349.54	0°30'02"			110	1.00	0.21			
	Arc	CC		1992225.033	6158486.047											
	Arc	CS	2279+79.53	1957160.502	6139238.225											
	Cosine	CS	2279+79.53	1957160.502	6139238.225										S 61°14'11" E	S 61°28'22" E
	Cosine	SPI	2280+77.66	1957113.283	6139324.245		330	0°14'11"	165	0.06						
	Cosine	ST	2283+09.53	1957002.547	6139527.966											
	Tangent	ST	2283+09.53	1957002.547	6139527.966									S 61°28'22" E		
	Tangent	TS	2323+02.02	1955095.833	6143035.728											
	Cosine	TS	2323+02.02	1955095.833	6143035.728										S 61°28'22" E	S 60°29'38" E
	Cosine	SPI	2325+90.10	1954958.250	6143288.838		410	0°58'44"	205	0.33						
	Cosine	SC	2327+12.02	1954898.202	6143394.946											
	Arc	SC	2327+12.02	1954898.202	6143394.946											
C192	Arc	PI	2329+95.25	1954758.707	6143641.444	12000	566.36	2°42'15"			110	2.25	1.78			
	Arc	CC		1944454.550	6137484.774											
	Arc	CS	2332+78.37	1954607.736	6143881.086											
	Cosine	CS	2332+78.37	1954607.736	6143881.086										S 57°47'24" E	S 56°48'40" E
	Cosine	SPI	2334+00.29	1954542.750	6143984.243		410	0°58'44"	205	0.33						
	Cosine	ST	2336+88.37	1954385.051	6144225.334											

**SAN FRANCISCO TO SAN JOSE EIR/S: VOLUME III
ALTERNATIVE B
BOOK B6
SHEET 143 OF 146**

REV	DATE	BY	CHK	APP	DESCRIPTION

DESIGNED BY	
DRAWN BY	
CHECKED BY	
IN CHARGE	
DATE	

2021 RECORD SET PEPP
NOVEMBER 30, 2021
NOT FOR CONSTRUCTION

HNTB
1111 Broadway
9th Floor
Oakland, CA 94607



CALIFORNIA HIGH-SPEED TRAIN PROJECT
SAN JOSE TO MERCED
SAN JOSE DIRIDON STATION APPROACH
VIADUCT TO SCOTT BLVD
TRACK ALIGNMENT DATA TABLE
CURVE NO. C191 AND C192

CONTRACT NO.	HSR15-34
DRAWING NO.	TT-B0202-JM
SCALE	NONE
SHEET NO.	

11/23/2021 9:46:08 AM CAHSR.tbl cvd_pdf_bw.plt c:\vodd17b\pw\hntb_josyang\46037_cahsr\dms18473\FJ-TT-B0103-JM.dgn

CURVE	ELEMENT	POINT TYPE	MT2 TRACK STATION	COORDINATES		RADIUS (FT)	LENGTH (FT)	DELTA, Δ	K	P	DESIGN SPEED (MPH)	ACTUAL SUPERELEVATION (EA) (IN)	UNBALANCED SUPERELEVATION (EU) (IN)	BEARING (0°00'00") (TANGENT)	WCB (0°00'00")	
				NORTHING	EASTING										START ANGLE	END ANGLE
	Tangent	ST	2438+76.63	1948813.861	6152691.151									S 42°05'44" E		
	Tangent	TS	2441+29.45	1948626.259	6152860.635											
	Cosine	TS	2441+29.45	1948626.259	6152860.635										S 42°05'44" E	S 35°00'43" E
	Cosine	SPI	2445+26.71	1948331.485	6153126.943		565	7°05'01"	282.44	3.31						
	Cosine	SC	2446+94.45	1948193.686	6153223.474											
	Arc	SC	2446+94.45	1948193.686	6153223.474											
C193	Arc	PI	2451+97.72	1947781.493	6153512.224	2285	990.72	24°50'31"			65	4.75	2.65			
	Arc	CC		1946882.673	6151351.986											
	Arc	CS	2456+85.09	1947286.131	6153601.085											
	Cosine	CS	2456+85.09	1947286.131	6153601.085										S 10°10'12" E	S 3°05'11" E
	Cosine	SPI	2458+53.34	1947120.528	6153630.792		565	7°05'01"	282.44	3.31						
	Cosine	ST	2462+50.09	1946723.849	6153652.180											
	Tangent	ST	2462+50.09	1946723.849	6153652.180									S 3°05'11" E		
	Tangent	POE	2481+32.12	1944844.556	6153753.509											

**SAN FRANCISCO TO SAN JOSE EIR/S: VOLUME III
ALTERNATIVE B
BOOK B6
SHEET 144 OF 146**

REV	DATE	BY	CHK	APP	DESCRIPTION

DESIGNED BY
DRAWN BY
CHECKED BY
IN CHARGE
DATE

2021 RECORD SET PEPP
NOVEMBER 30, 2021
NOT FOR CONSTRUCTION

HNTB
1111 Broadway
9th Floor
Oakland, CA 94607



CALIFORNIA HIGH-SPEED TRAIN PROJECT
SAN JOSE TO MERCED
SAN JOSE DIRIDON STATION APPROACH
VIADUCT TO I-880
TRACK ALIGNMENT DATA TABLE
CURVE NO. C193

CONTRACT NO.
HSR15-34
DRAWING NO.
TT-B0103-JM
SCALE
NONE
SHEET NO.

11/23/2021 9:46:12 AM CAHSR.tbl cvd_paf_bw.plt c:\vccdd1\p\p\hntb_josyang_46037_cahsr\dms18473\JM-TT-B0104.dgn

CURVE	ELEMENT	POINT TYPE	B2 TRACK STATION	COORDINATES		RADIUS (FT)	LENGTH (FT)	DELTA, Δ	K	P	DESIGN SPEED (MPH)	ACTUAL SUPERELEVATION (EA) (IN)	UNBALANCED SUPERELEVATION (EU) (IN)	BEARING (0°00'00") (TANGENT)	WCB (0°00'00")	
				NORTHING	EASTING										START ANGLE	END ANGLE
	TANGENT	POB	52+90.53	1944844.556	6153753.509									S 3°05'10.7" E		
	TANGENT	TS	56+04.15	1944531.398	6153770.394											
	CLOTHOID	TS	56+04.15	1944531.398	6153770.394										S 3°05'10.7" E	S 14°17'46.9" E
	CLOTHOID	SPI	59+04.75	1944231.231	6153786.579		450	11°12'36.2"	224.71	7.33						
	CLOTHOID	SC	60+54.15	1944085.344	6153823.755											
C101	ARC	SC	60+54.15	1944085.344	6153823.755											
	ARC	PI	67+04.25	1943455.376	6153984.289	1150	1183.02	58°57'33.7"			50	6.00	2.70			
	ARC	CC		1944369.322	6154938.141											
	ARC	CS	72+37.16	1943268.082	6154606.825											
	CLOTHOID	CS	72+37.16	1943268.082	6154606.825										S 73°15'20.6" E	S 84°27'56.8" E
	CLOTHOID	SPI	73+87.71	1943224.709	6154750.991		450	11°12'36.2"	224.71	7.33						
	CLOTHOID	ST	76+87.16	1943195.718	6155050.194											
	TANGENT	ST	76+87.16	1943195.718	6155050.194									S 84°27'56.8" E		
	TANGENT	TS	89+72.12	1943071.797	6156329.158											
	CLOTHOID	TS	89+72.12	1943071.797	6156329.158										S 84°27'56.8" E	S 73°15'20.6" E
	CLOTHOID	SPI	92+72.72	1943042.806	6156628.360		450	11°12'36.2"	224.71	7.33						
	CLOTHOID	SC	94+22.12	1942999.433	6156772.526											
C102	ARC	SC	94+22.12	1942999.433	6156772.526											
	ARC	PI	99+88.42	1942836.280	6157314.821	1150	1052.11	52°26'05.9"			50	6.00	2.70			
	ARC	CC		1941898.193	6156441.211											
	ARC	CS	104+74.22	1942306.955	6157516.112											
	CLOTHOID	CS	104+74.22	1942306.955	6157516.112										S 20°49'14.7" E	S 9°36'38.5" E
	CLOTHOID	SPI	106+24.77	1942166.238	6157569.624		450	11°12'36.2"	224.71	7.33						
	CLOTHOID	ST	109+24.22	1941869.853	6157619.811											
	TANGENT	ST	109+24.22	1941869.853	6157619.811									S 9°36'38.5" E		
	TANGENT	TS	111+48.03	1941649.186	6157657.176											

SAN FRANCISCO TO SAN JOSE EIR/S: VOLUME III
ALTERNATIVE B
BOOK B6
SHEET 145 OF 146

REV	DATE	BY	CHK	APP	DESCRIPTION

DESIGNED BY	
DRAWN BY	
CHECKED BY	
IN CHARGE	
DATE	

2021 RECORD SET
SET PEPP
 NOVEMBER 30, 2021
NOT FOR CONSTRUCTION

HNTB

1111 Broadway
9th Floor
Oakland, CA 94607



CALIFORNIA

High-Speed Rail Authority

CALIFORNIA HIGH-SPEED TRAIN PROJECT
SAN JOSE TO MERCED
 SAN JOSE DIRIDON STATION APPROACH
 VIADUCT TO I-880
 B2 TRACK ALIGNMENT DATA TABLE
 CURVE NO. C101 AND C102

CONTRACT NO.	HSR15-34
DRAWING NO.	TT-B0104
SCALE	NONE
SHEET NO.	

11/23/2021 9:46:17 AM CAHSR.tbl c:\v\cadd\1b\pwworkspace\jcsyang\46037_cahsr\dms18473\JM-TT-B0105.dgn

CURVE	ELEMENT	POINT TYPE	B2 TRACK STATION	COORDINATES		RADIUS (FT)	LENGTH (FT)	DELTA, Δ	K	P	DESIGN SPEED (MPH)	ACTUAL SUPERELEVATION (EA) (IN)	UNBALANCED SUPERELEVATION (EU) (IN)	BEARING (0°00'00") (TANGENT)	WCB (0°00'00")	
				NORTHING	EASTING										START ANGLE	END ANGLE
	CLOTHOID	TS	111+48.03	1941649.186	6157657.176										S 9°36'38.5" E	S 17°34'06.4" E
	CLOTHOID	SPI	114+81.70	1941320.199	6157712.883		500	7°57'27.9"	249.84	5.78						
	CLOTHOID	SC	116+48.03	1941161.013	6157763.284											
C103	ARC	SC	116+48.03	1941161.013	6157763.284											
	ARC	PI	117+96.77	1941019.211	6157808.180	1800	296.77	9°26'51.3"			58	6.00	1.48			
	ARC	CC		1941704.334	6159479.326											
	ARC	CS	119+44.80	1940886.702	6157875.743											
	CLOTHOID	CS	119+44.80	1940886.702	6157875.743										S 27°00'57.8" E	S 34°58'25.7" E
	CLOTHOID	SPI	121+11.77	1940737.949	6157951.589		500	7°57'27.9"	249.84	5.78						
	CLOTHOID	ST	124+44.80	1940464.534	6158142.850											
	TANGENT	ST	124+44.80	1940464.534	6158142.850									S 34°58'25.7" E		
	TANGENT	TS	127+17.50	1940241.081	6158299.162											
	COSINE	TS	127+17.50	1940241.081	6158299.162										S 34°58'25.7" E	S 34°03'45.1" E
	COSINE	SPI	129+52.18	1940048.776	6158433.684		334	0°54'40.6"	167	0.25						
	COSINE	SC	130+51.50	1939966.497	6158489.312											
C104	ARC	SC	130+51.50	1939966.497	6158489.312											
	ARC	PI	132+06.20	1939838.336	6158575.962	10500	309.38	1°41'17.7"			95	2.00	1.44			
	ARC	CC		1934085.477	6149790.830											
	ARC	CS	133+60.88	1939707.678	6158658.797											
	COSINE	CS	133+60.88	1939707.678	6158658.797										S 32°22'27.4" E	S 31°27'46.8" E
	COSINE	SPI	134+60.20	1939623.796	6158711.978		334	0°54'40.6"	167	0.25						
	COSINE	ST	136+94.88	1939423.615	6158834.471											
	TANGENT	ST	136+94.88	1939423.615	6158834.471									S 31°27'46.8" E		
	TANGENT	POE	149+99.26 = 150+00.00	1938311.012	6159515.287											

SAN FRANCISCO TO SAN JOSE EIR/S: VOLUME III
ALTERNATIVE B
BOOK B6
SHEET 146 OF 146

REV	DATE	BY	CHK	APP	DESCRIPTION

DESIGNED BY	
DRAWN BY	
CHECKED BY	
IN CHARGE	
DATE	

2021 RECORD SET PEPP
 NOVEMBER 30, 2021
NOT FOR CONSTRUCTION

HNTB

1111 Broadway
9th Floor
Oakland, CA 94607



CALIFORNIA HIGH-SPEED TRAIN PROJECT
SAN JOSE TO MERCED
 MONTEREY CORRIDOR
 VIADUCT TO I-880
 B2 TRACK ALIGNMENT DATA TABLE
 CURVE NO. C103 AND C104

CONTRACT NO.	HSR15-34
DRAWING NO.	TT-B0105
SCALE	NONE
SHEET NO.	