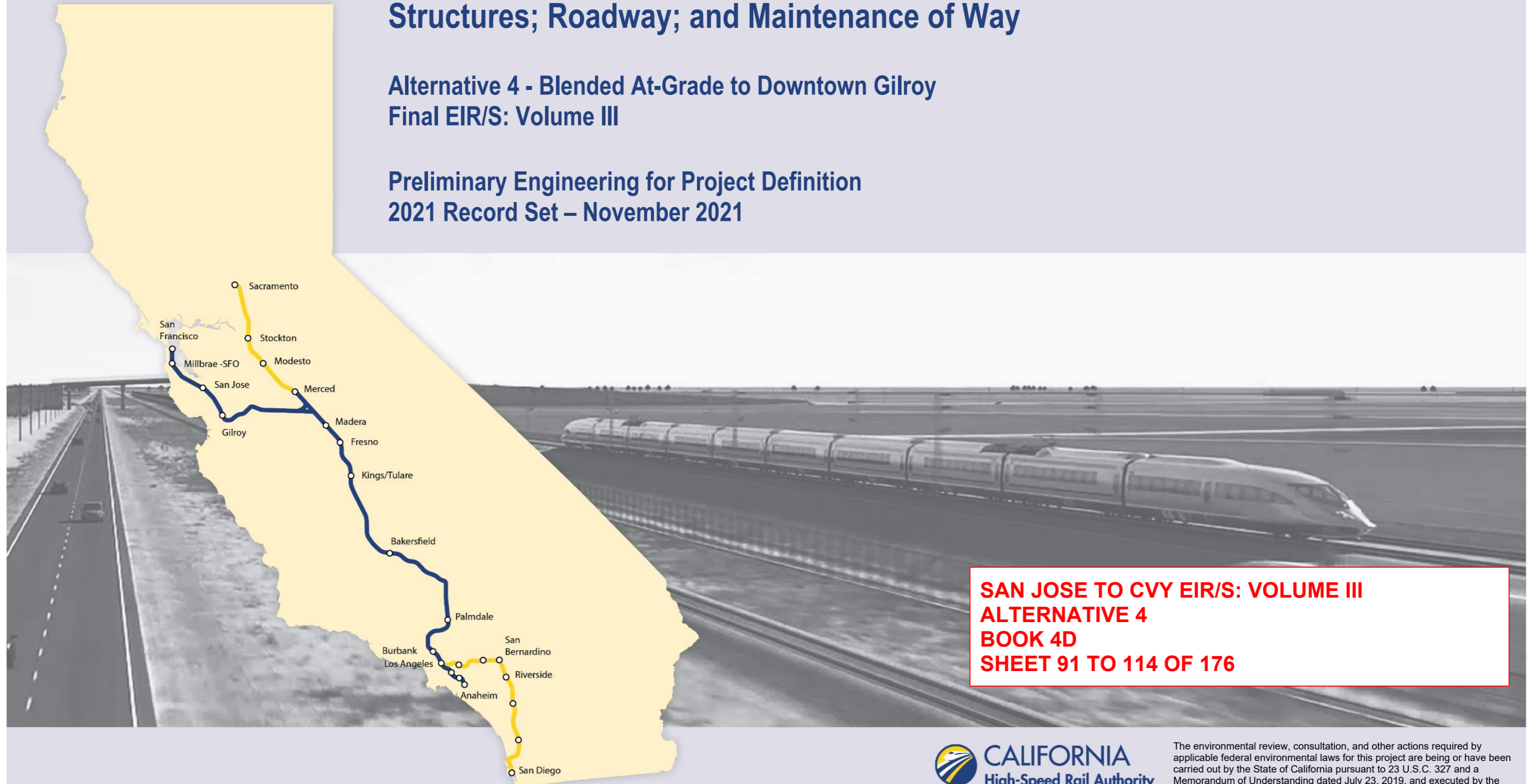


San Jose to Merced Project Section: San Jose to Central Valley Wye

Structures; Roadway; and Maintenance of Way

Alternative 4 - Blended At-Grade to Downtown Gilroy
Final EIR/S: Volume III

Preliminary Engineering for Project Definition
2021 Record Set – November 2021



**SAN JOSE TO CVY EIR/S: VOLUME III
ALTERNATIVE 4
BOOK 4D
SHEET 91 TO 114 OF 176**

ALTERNATIVE 4 - CP COAST TO DOWNTOWN GILROY

BOOK	SHEET NO	DRAWING NO	SUBSECTION	GEOGRAPHIC LOCATION	ALIGNMENT OR FEATURE	SHEET DESCRIPTION	ADDITIONAL DESCRIPTION
COVER, INDEX OF DRAWING AND KEY MAPS							
BOOK 4D	A	COVER	SAN JOSE TO MERCED SECTION	N/A	SAN JOSE TO CENTRAL VALLEY WYE	ALTERNATIVE 4	
BOOK 4D	B	GE-A0404	ENTIRE ALTERNATIVE	COMPLEX STRUCTURES, GRADE SEPARATIONS, MAINTENANCE OF WAY	INDEX OF DRAWING	SHEET 4 OF 6	
BOOK 4D	C	GE-D0401	GENERAL	ENTIRE ALTERNATIVE	KEY MAP	COMPOSITE PLAN	
BOOK 4D	D	GE-D0402	GENERAL	ENTIRE ALTERNATIVE	KEY MAP	SYSTEMS SITES	SHEET 1 OF 2
STRUCTURES							
BOOK 4D	91	ST-T4001	CP COAST TO GILROY	I-280 TO HWY 87	BLENDED AT-GRADE ALTERNATIVE	UNDERPASSES	GENERAL PLAN 1 OF 4
BOOK 4D	92	ST-T4002	CP COAST TO GILROY	N/A	BLENDED AT-GRADE ALTERNATIVE	UNDERPASSES	GENERAL PLAN 2 OF 4
BOOK 4D	93	ST-T4003	CP COAST TO GILROY	N/A	BLENDED AT-GRADE ALTERNATIVE	UNDERPASSES	GENERAL PLAN 3 OF 4
BOOK 4D	94	ST-T4004	CP COAST TO GILROY	N/A	BLENDED AT-GRADE ALTERNATIVE	UNDERPASSES	GENERAL PLAN 4 OF 4
BOOK 4D	95	ST-V4001	CP COAST TO GILROY	UPRR	BLENDED AT-GRADE ALTERNATIVE	COMPLEX STRUCTURES	GENERAL PLAN
BOOK 4D	96	ST-V1401	PACHECO PASS	CALIFORNIA AQUEDUCT TO CCID OUTSIDE CANAL	TUNNEL	COMPLEX STRUCTURES	GENERAL PLAN
BOOK 4D	97	ST-V1601	SAN JOAQUIN VALLEY	SAN LUIS WASTEWAY TO LOS BANOS CREEK	HENRY MILLER ROAD	COMPLEX STRUCTURES	GENERAL PLAN
ROADWAY							
MORGAN HILL AND GILROY (CP COAST TO GILROY)							
BOOK 4D	98	CV-S4001	CP COAST TO GILROY	EMADO AVE TO FOX LANE	BLENDED AT-GRADE ALTERNATIVE	CIVIL DETAILS	
PACHECO PASS							
BOOK 4D	99	CV-S1401	PACHECO PASS	ROMERO RD TO CA-152	TUNNEL	CIVIL DETAILS	
SAN JOAQUIN VALLEY							
BOOK 4D	100	CV-S1601	SAN JOAQUIN VALLEY	MONTEREY RD TO INGOMAR GRADE	HENRY MILLER ROAD	CIVIL DETAILS	
BOOK 4D	101	CV-T1603	SAN JOAQUIN VALLEY	VOLTA RD TO HENRY MILLER RD	HENRY MILLER ROAD	GRADE SEPARATION LAYOUT, PROFILE, & CROSS SECTIONS	HENRY MILLER ROAD
BOOK 4D	102	CV-T1604	SAN JOAQUIN VALLEY	HENRY MILLER ACCESS	HENRY MILLER ROAD	GRADE SEPARATION LAYOUT, PROFILE, & CROSS SECTIONS	HENRY MILLER ACCESS
BOOK 4D	103	CV-T1606	SAN JOAQUIN VALLEY	HENRY MILLER RD TO MERCY SPRINGS RD	HENRY MILLER ROAD	GRADE SEPARATION LAYOUT, PROFILE, & CROSS SECTIONS	MERCY SPRINGS ROAD
BOOK 4D	104	CV-T1609	SAN JOAQUIN VALLEY	DELTA RD	HENRY MILLER ROAD	GRADE SEPARATION LAYOUT, PROFILE, & CROSS SECTIONS	DELTA ROAD
BOOK 4D	105	CV-T1610	SAN JOAQUIN VALLEY	TURNER ISLAND RD TO HENRY MILLER RD	HENRY MILLER ROAD	GRADE SEPARATION LAYOUT, PROFILE, & CROSS SECTIONS	TURNER ROAD
BOOK 4D	106	CV-T1611	SAN JOAQUIN VALLEY	CARLUCCI RD	HENRY MILLER ROAD	GRADE SEPARATION LAYOUT, PROFILE, & CROSS SECTIONS	CARLUCCI ROAD
BOOK 4D	107	CV-T1612	SAN JOAQUIN VALLEY	HUTCHINS RD	HENRY MILLER ROAD	GRADE SEPARATION LAYOUT, PROFILE, & CROSS SECTIONS	HUTCHINS ROAD
MAINTENANCE OF WAY							
BOOK 4D	108	MY-D4100	CP COAST TO GILROY	CARNADERO AVE TO UPRR	BLENDED AT-GRADE ALTERNATIVE	MOWF DETAIL	SHEET 1 OF 4
BOOK 4D	109	MY-D4101	CP COAST TO GILROY	BLOOMFIELD RD	BLENDED AT-GRADE ALTERNATIVE	MOWF DETAIL	SHEET 2 OF 4
BOOK 4D	110	MY-D4102	CP COAST TO GILROY	N/A	BLENDED AT-GRADE ALTERNATIVE	MOWF DETAIL	SHEET 3 OF 4
BOOK 4D	111	MY-D4103	CP COAST TO GILROY	N/A	BLENDED AT-GRADE ALTERNATIVE	MOWF DETAIL	SHEET 4 OF 4
BOOK 4D	112	MY-D4104	CP COAST TO GILROY	N/A	BLENDED AT-GRADE ALTERNATIVE	UPRR PROFILE FOR MOWF	SHEET 1 OF 2
BOOK 4D	113	MY-D4105	CP COAST TO GILROY	N/A	BLENDED AT-GRADE ALTERNATIVE	UPRR PROFILE FOR MOWF	SHEET 2 OF 2
BOOK 4D	114	MY-D4106	CP COAST TO GILROY	N/A	BLENDED AT-GRADE ALTERNATIVE	MAINTENANCE OF WAY FACILITY	UPRR AND MOWF ACCESS GEOMETRIES

**SAN JOSE TO CVY EIR/S: VOLUME III
ALTERNATIVE 4
BOOK 4D
SHEET B**

11/29/2021 12:16:29 PM CAHSRP.tbl printer.plt c:\voad\lib\pwwaren\46037_cahsr\dms2197\JM-GE-A0404.dgn

REV	DATE	BY	CHK	APP	DESCRIPTION

DESIGNED BY	
DRAWN BY	
CHECKED BY	
IN CHARGE	
DATE	

2021 RECORD SET PEPP
NOVEMBER 30, 2021
NOT FOR CONSTRUCTION

HNTB
1111 Broadway
9th Floor
Oakland, CA 94607

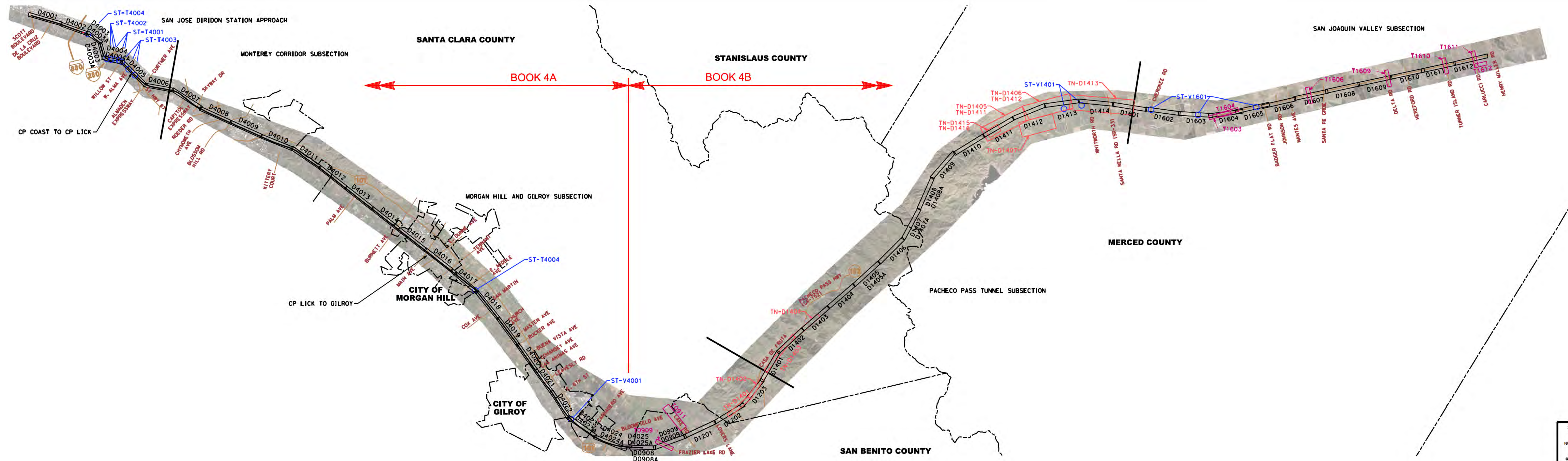


**CALIFORNIA HIGH-SPEED TRAIN PROJECT
SAN JOSE TO MERCED
ALTERNATIVE 4
INDEX OF DRAWING
SHEET 4 OF 6**

CONTRACT NO.	HSR15-34
DRAWING NO.	GE-A0404
SCALE	NONE
SHEET NO.	

ALTERNATIVE 4 BOOK INDEX

- BOOK 4A: COMPOSITE PLAN, PROFILE AND CROSS SECTIONS
- BOOK 4B: COMPOSITE PLAN, PROFILE AND CROSS SECTIONS
- BOOK 4C: STATIONS
- BOOK 4D: STRUCTURES, ROADWAY, MAINTENANCE OF WAY
- BOOK 4E: TUNNELS - PACHECO PASS, CONSTRUCTION STAGING, ALIGNMENT DATA TABLES

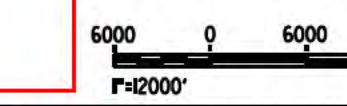
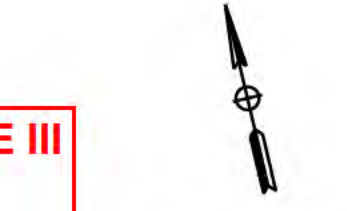


NOTE:
ALTERNATIVE KEY MAP SHOWN SIDE BY SIDE FOR CLARITY.

LEGEND
KEY MAP LEGEND

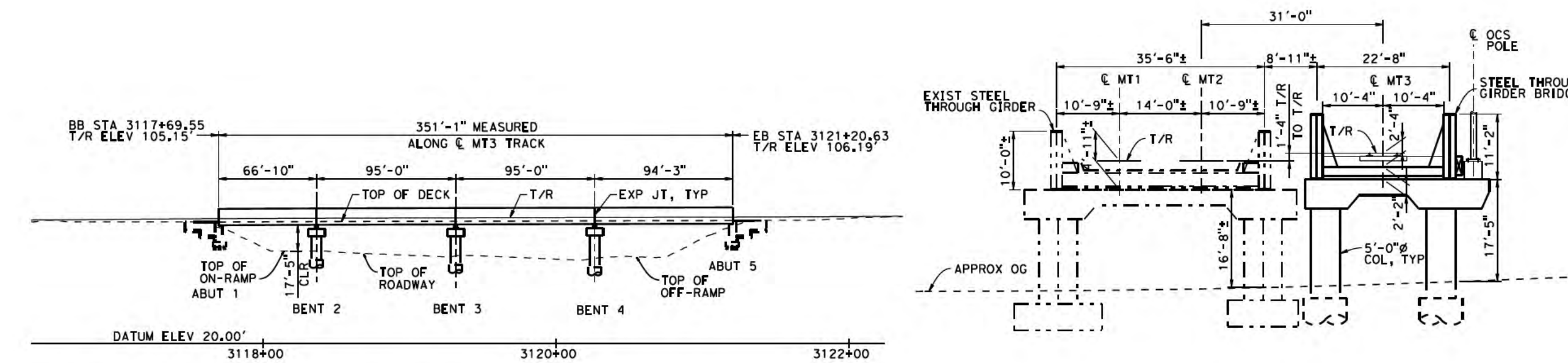
	AERIAL ORTHO-PHOTO
	COMPOSITE ROLL PLOTS
	GRADE SEPARATION ROLL PLOTS
	TUNNEL ROLL PLOTS
	STRUCTURES ROLL PLOTS
	SECTION BREAK
	CITY LIMITS
	COUNTY LINE
	EXISTING ROAD

SAN JOSE TO CVY EIR/S: VOLUME III
ALTERNATIVE 4
BOOK 4D
SHEET C

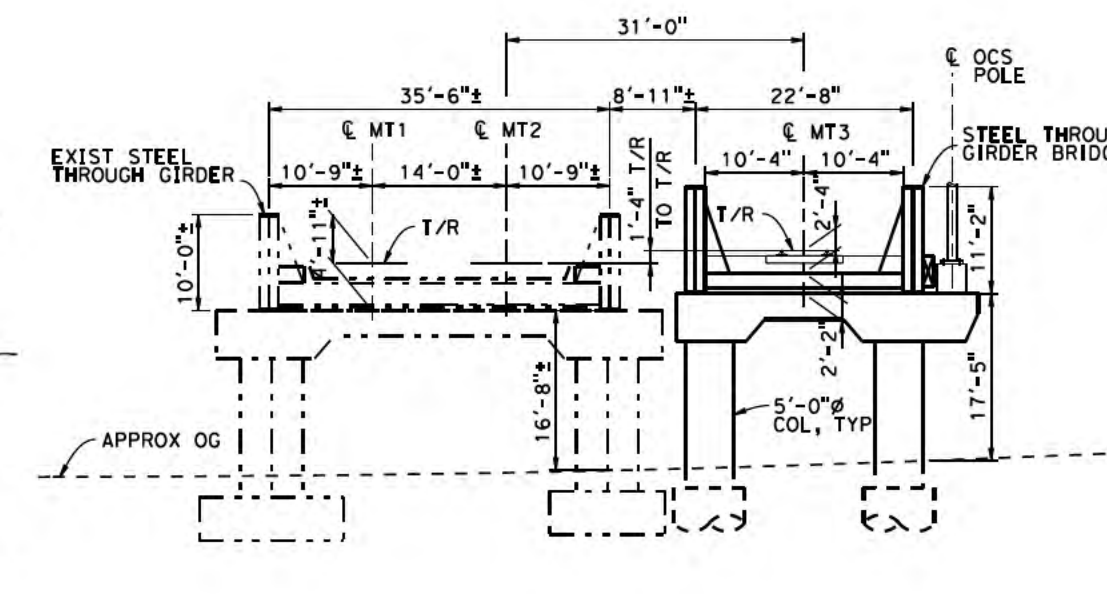


2021 RECORD SET PERD NOVEMBER 30, 2021 NOT FOR CONSTRUCTION		1111 Broadway 9th Floor Oakland, CA 94607		CALIFORNIA HIGH-SPEED TRAIN PROJECT SAN JOSE TO MERCED ALTERNATIVE 4 KEY MAP COMPOSITE PLAN	CONTRACT NO. MSR15-34 DRAWING NO. CE-D0401 SCALE AS SHOWN SHEET NO.
---	--	---	--	---	---

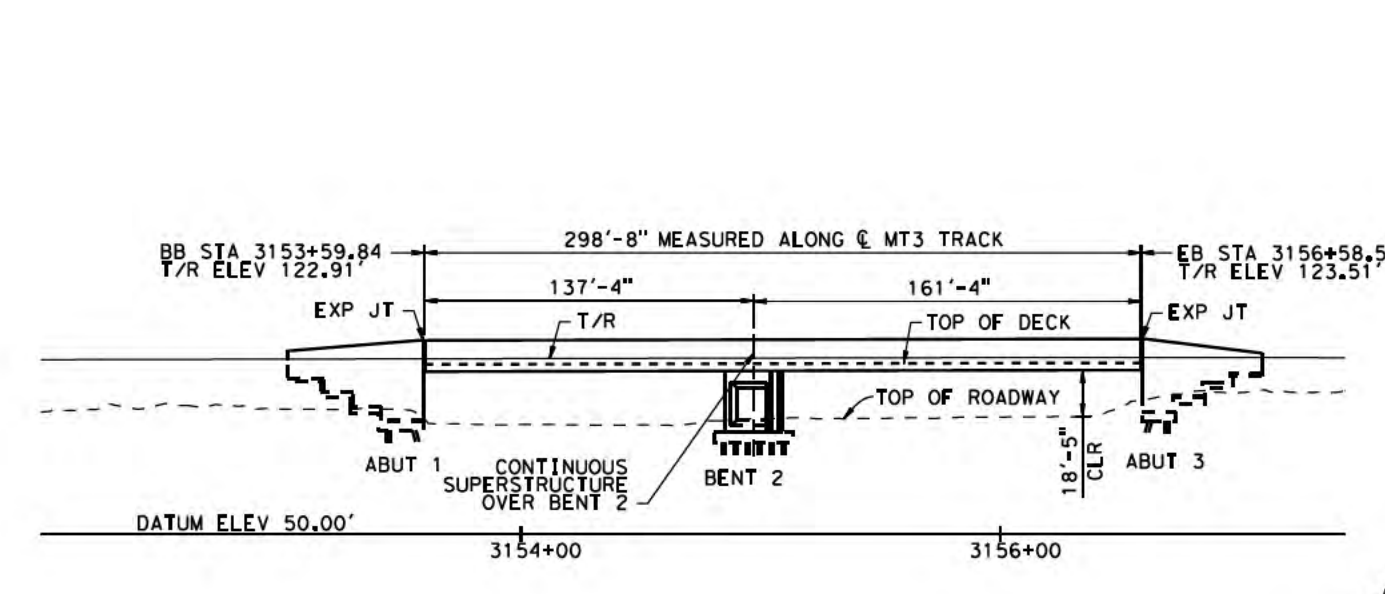
10/27/2021 11:15 AM
 C:\Users\jshank\OneDrive\Documents\MSR15-34\CE-D0401.dwg
 10/27/2021 11:15 AM
 jshank



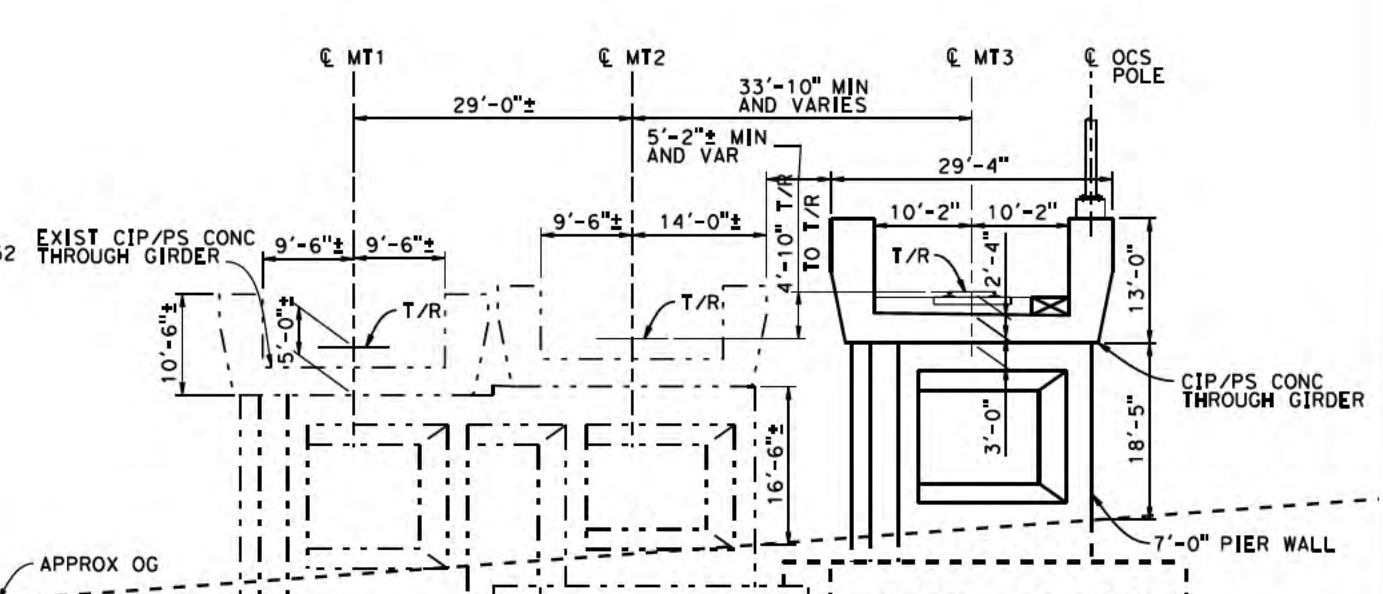
ELEVATION - I-280
SCALE: 1"=80'



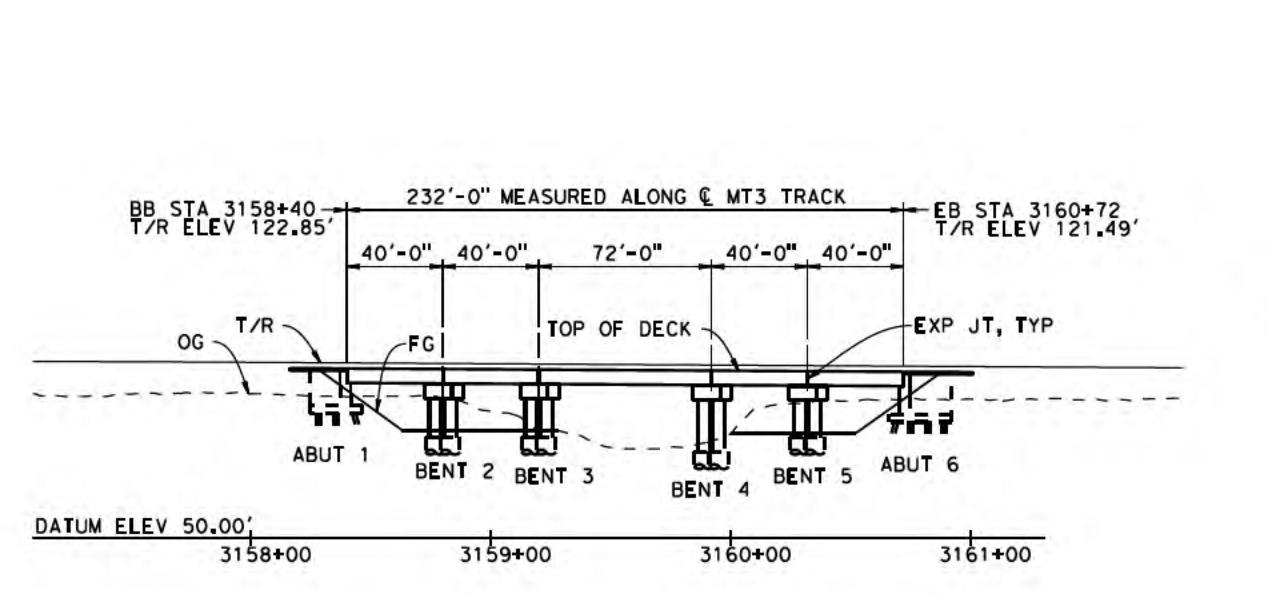
TYPICAL SECTION AT BENT 2
SCALE: 1"=20'



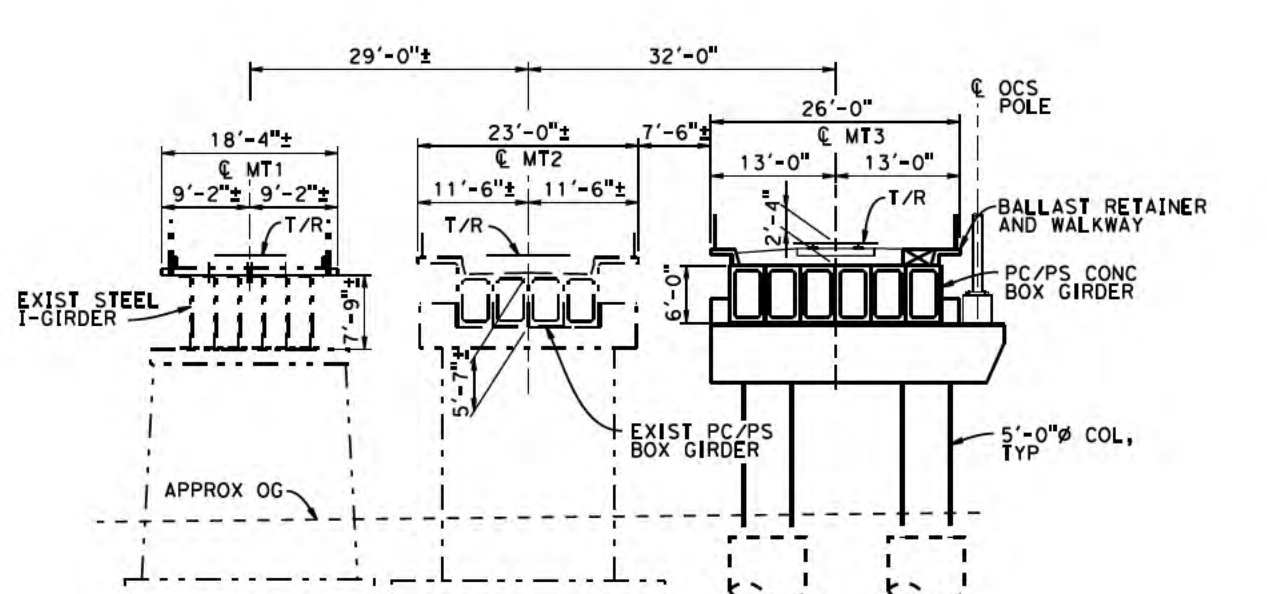
ELEVATION - SR-87
SCALE: 1"=80'



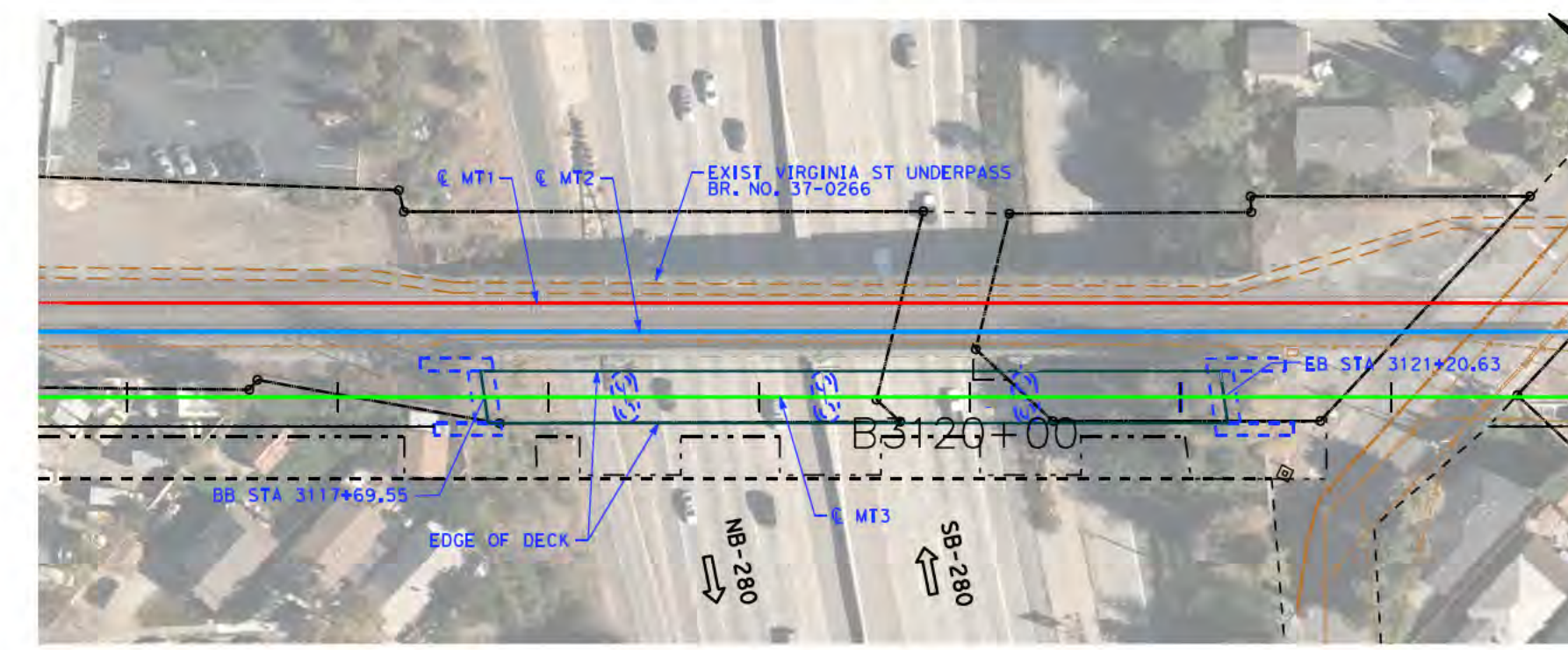
TYPICAL SECTION AT BENT 2
SCALE: 1"=20'



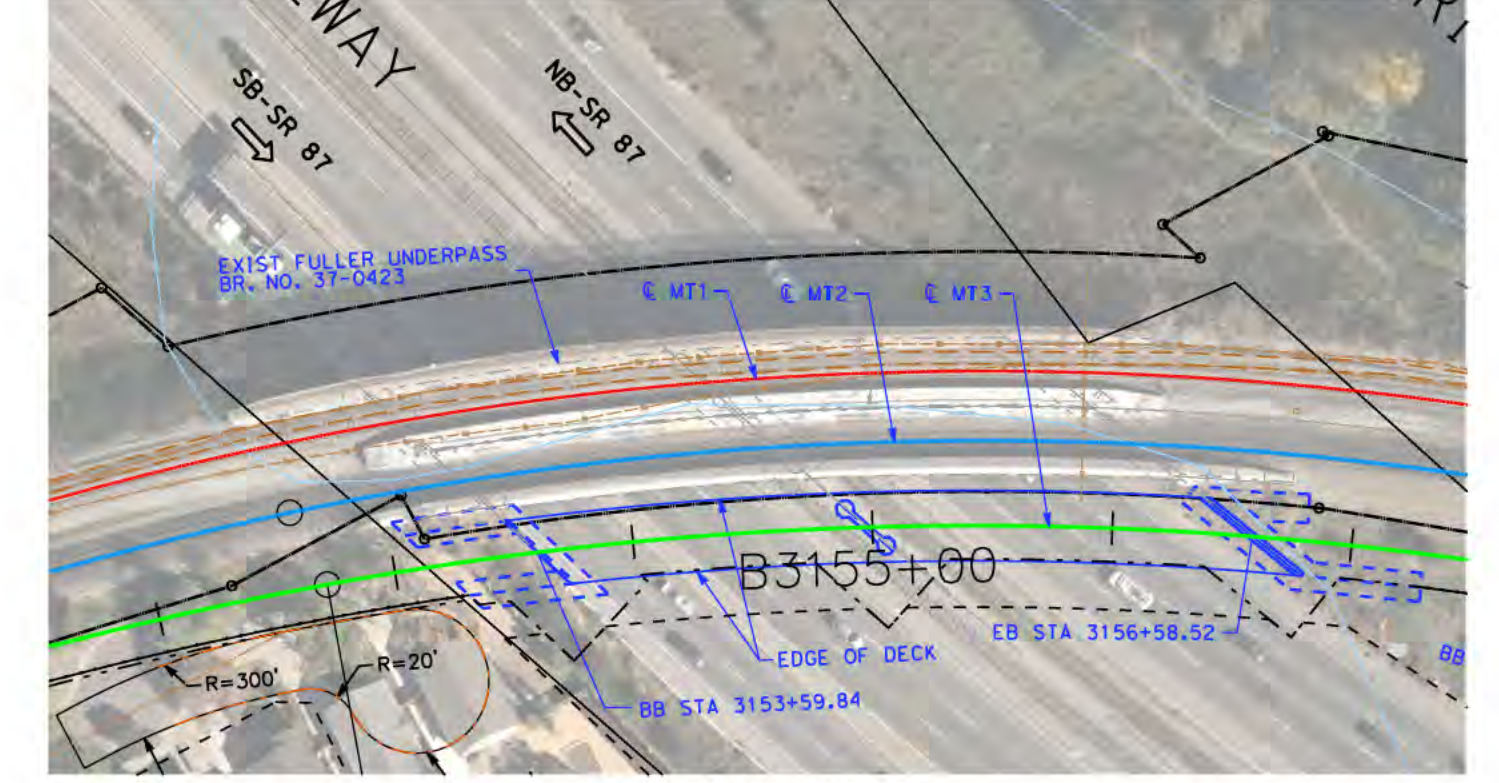
ELEVATION - GUADALUPE RIVER
SCALE: 1"=80'



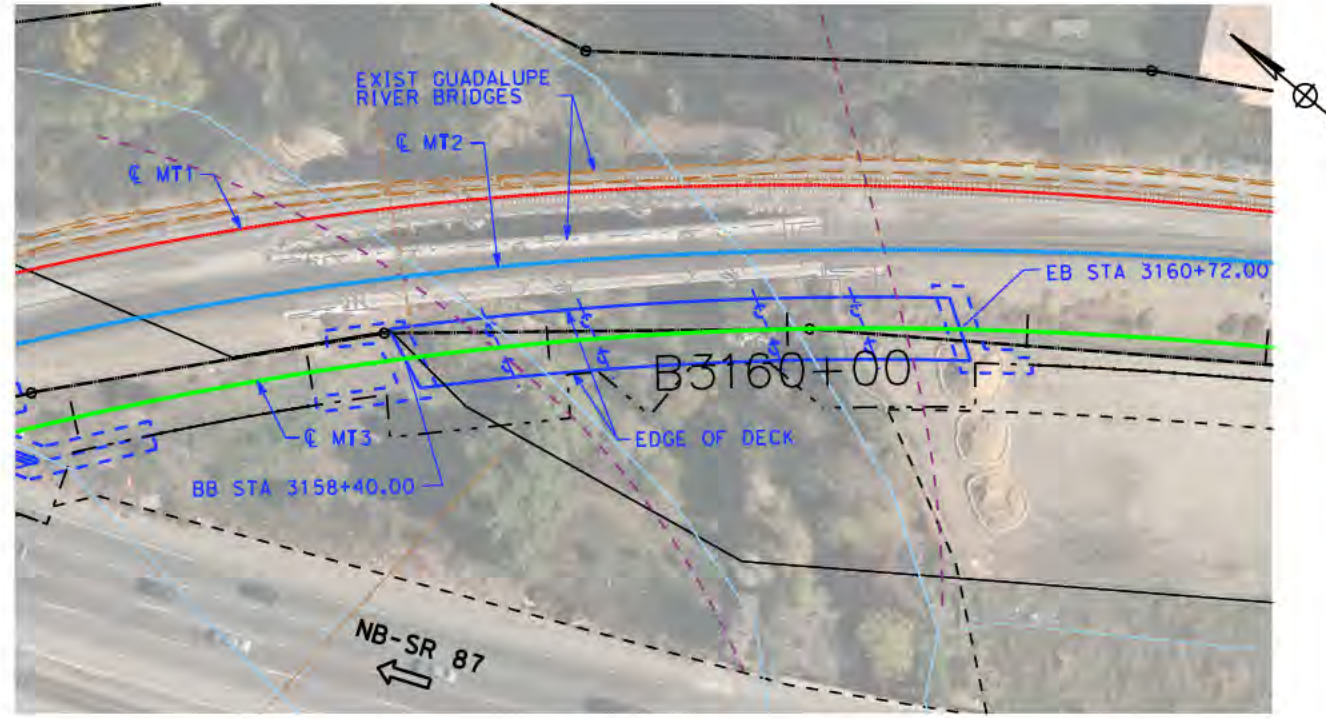
TYPICAL SECTION AT BENT 4
SCALE: 1"=20'



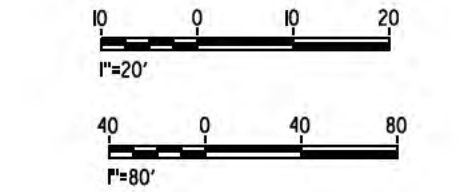
PLAN - I-280
SCALE: 1"=80'



PLAN - SR-87
SCALE: 1"=80'

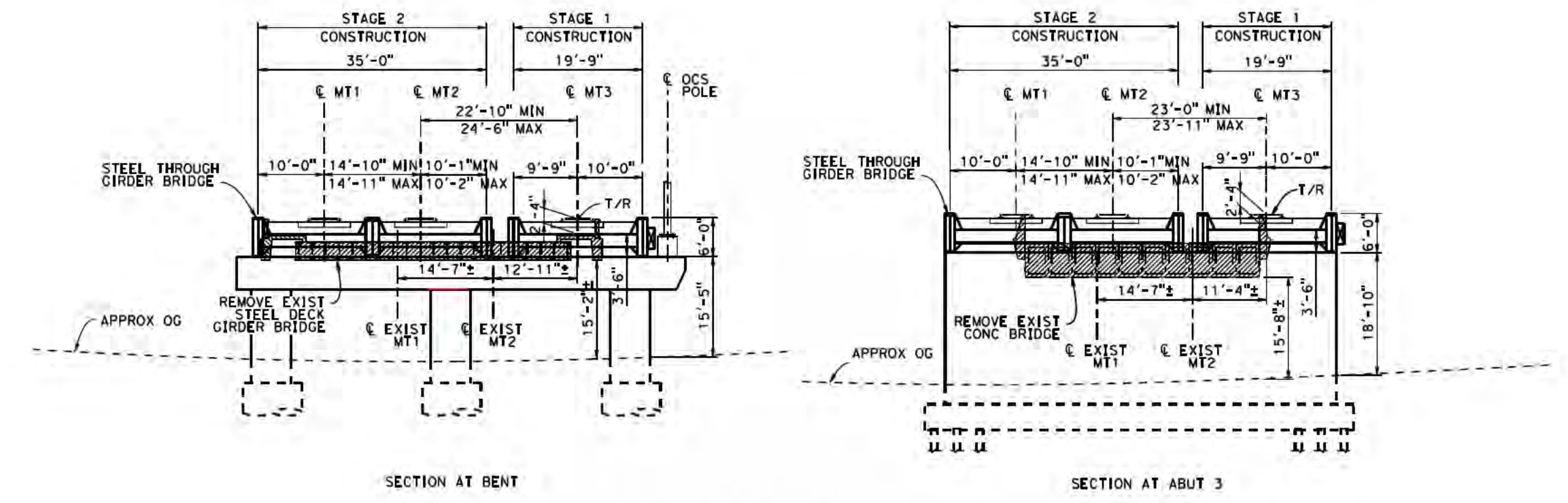


PLAN - GUADALUPE RIVER
SCALE: 1"=80'

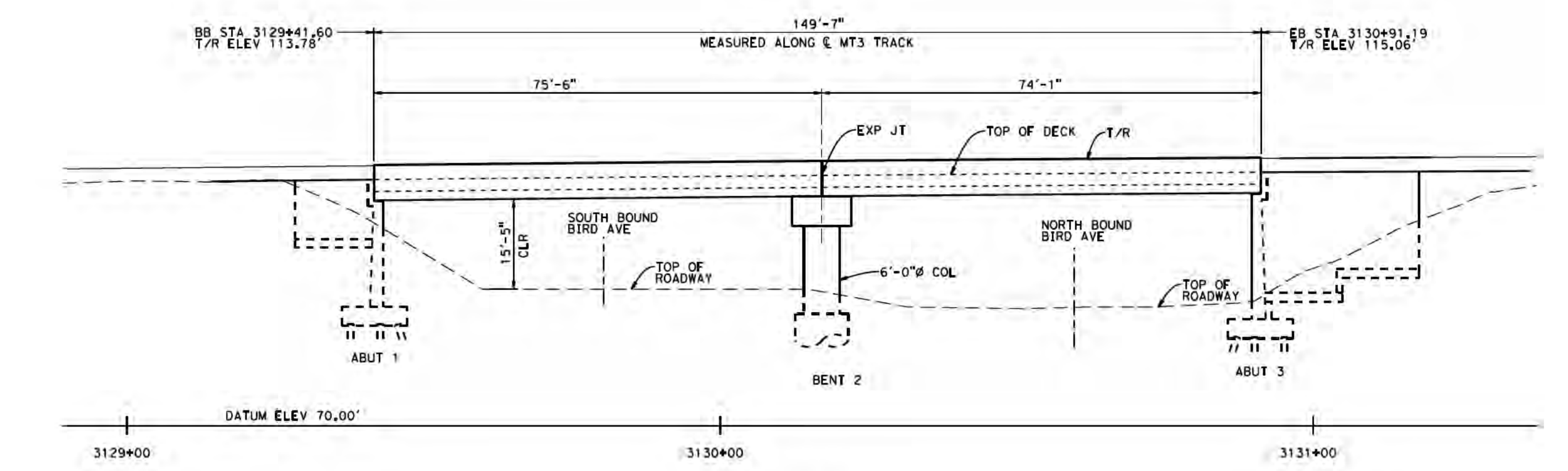


**SAN JOSE TO CVY EIR/S: VOLUME III
ALTERNATIVE 4
BOOK 4D
SHEET 91 OF 176**

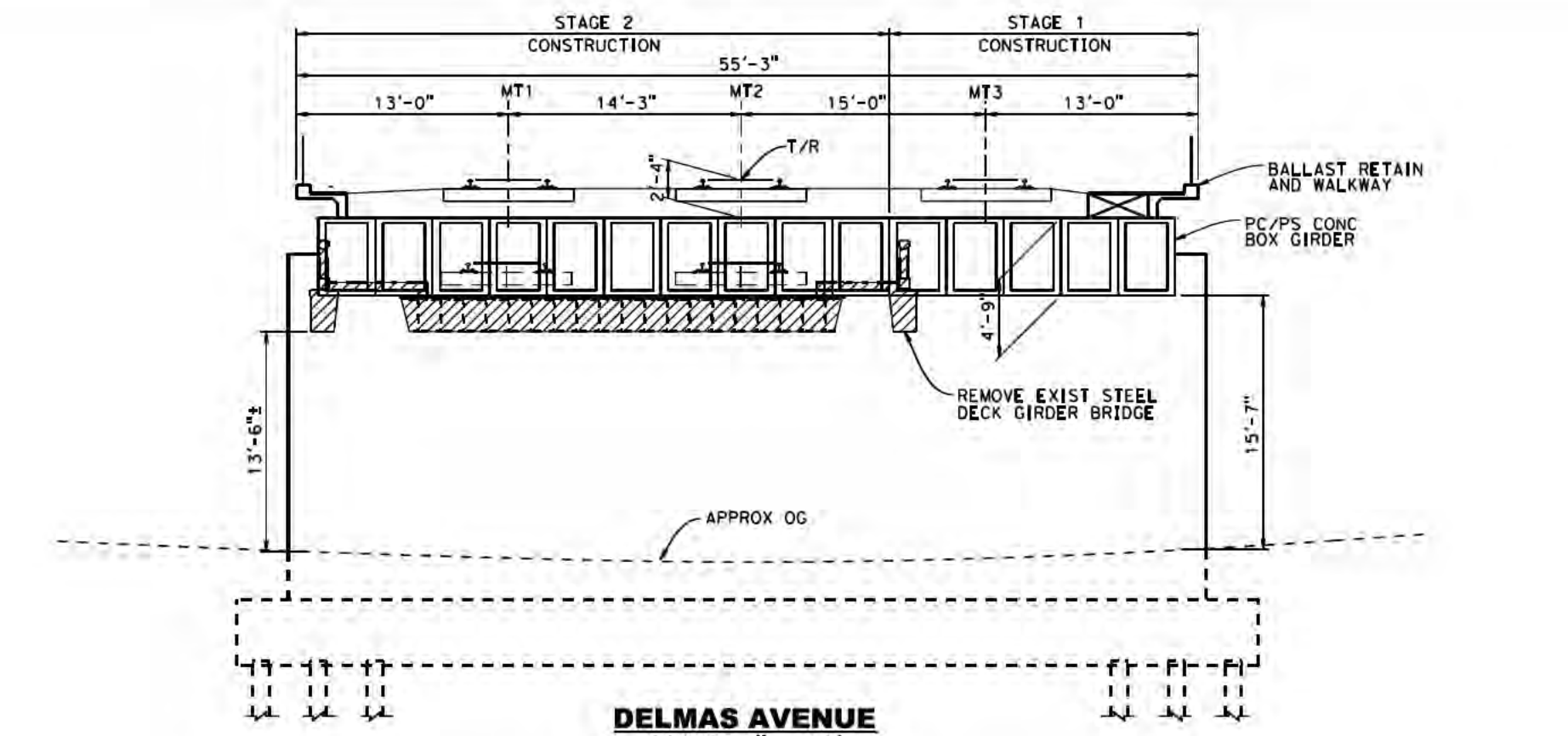
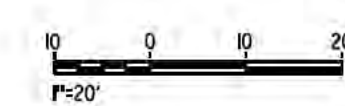
2021 RECORD SET PBD NOVEMBER 30, 2021 NOT FOR CONSTRUCTION	HNTB 1111 Broadway 9th Floor Oakland, CA 94607	CALIFORNIA High-Speed Rail Authority	CALIFORNIA HIGH-SPEED TRAIN PROJECT SAN JOSE TO GILROY CP COAST AT-GRADE ALTERNATIVE UNDERPASSES GENERAL PLAN 1 OF 4	CONTRACT NO. HSR15-34 DRAWING NO. ST-T4001 SCALE AS SHOWN SHEET NO.
--	--	--	---	--



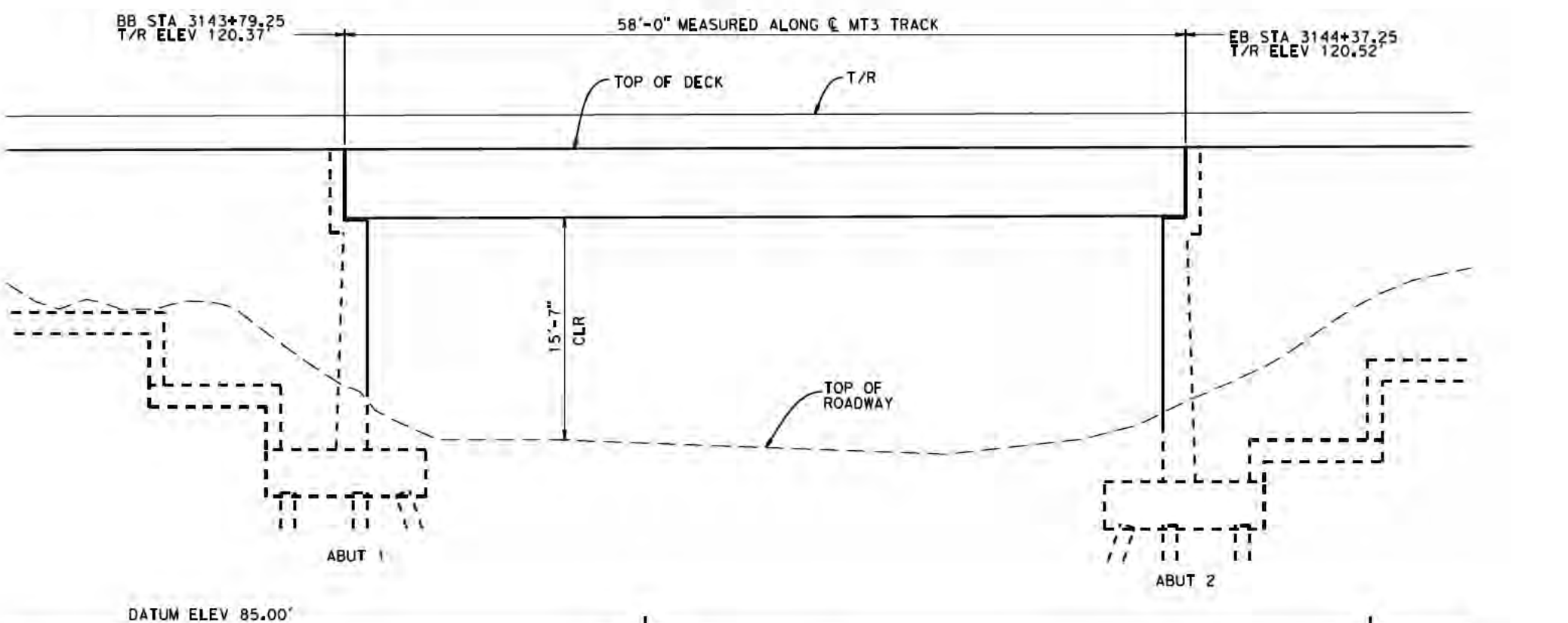
BIRD AVENUE
SCALE: 1" = 20'



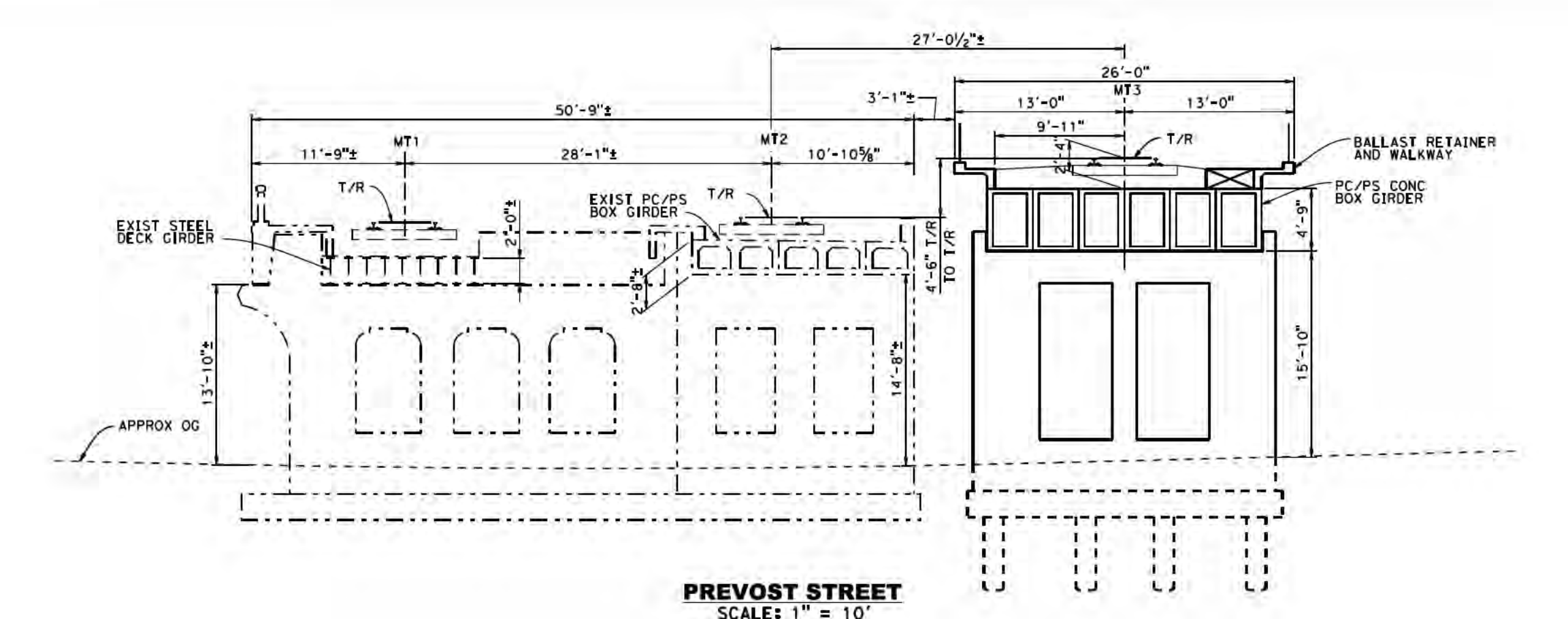
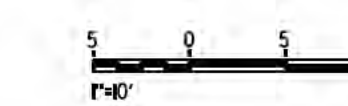
ELEVATION
SCALE: 1" = 20'



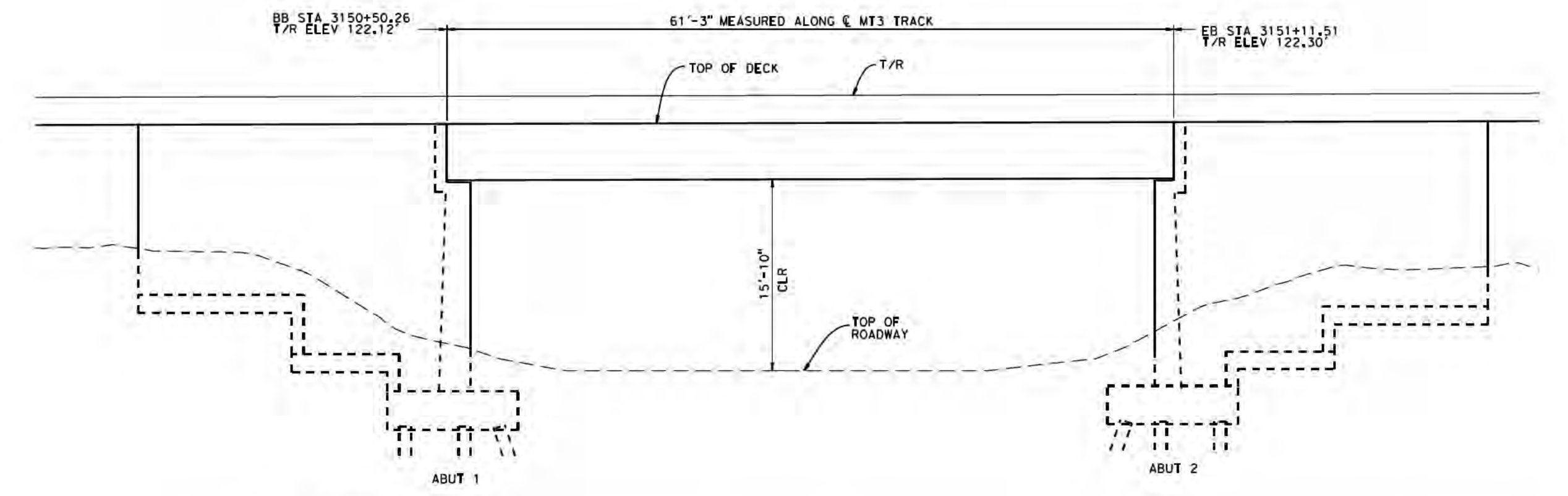
DELMAS AVENUE
SCALE: 1" = 10'



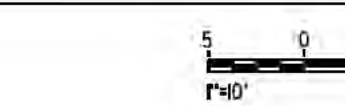
ELEVATION
SCALE: 1" = 10'



PREVOST STREET
SCALE: 1" = 10'

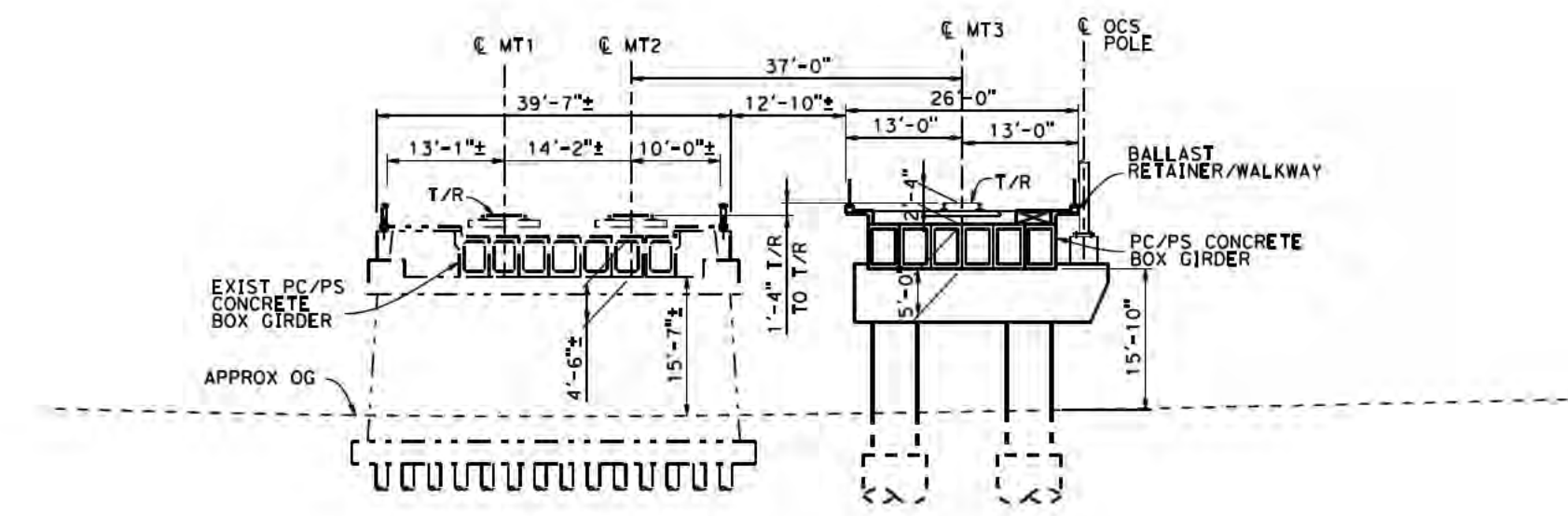


ELEVATION
SCALE: 1" = 10'

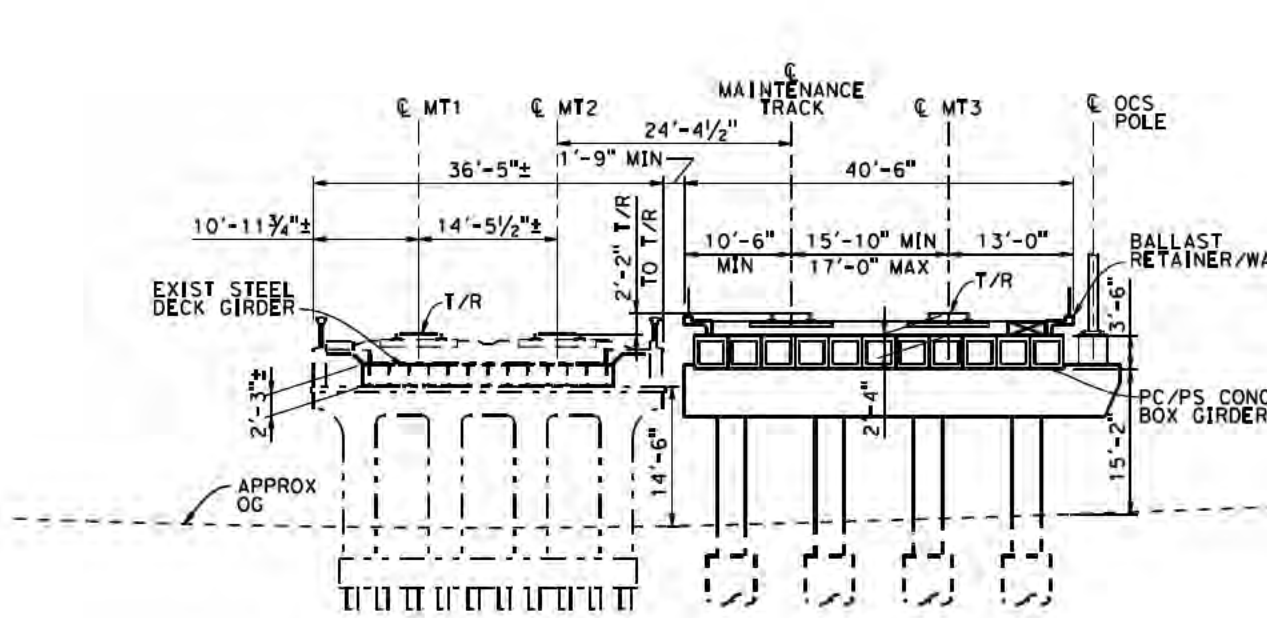


SAN JOSE TO CVY EIR/S: VOLUME III
ALTERNATIVE 4
BOOK 4D
SHEET 92 OF 176

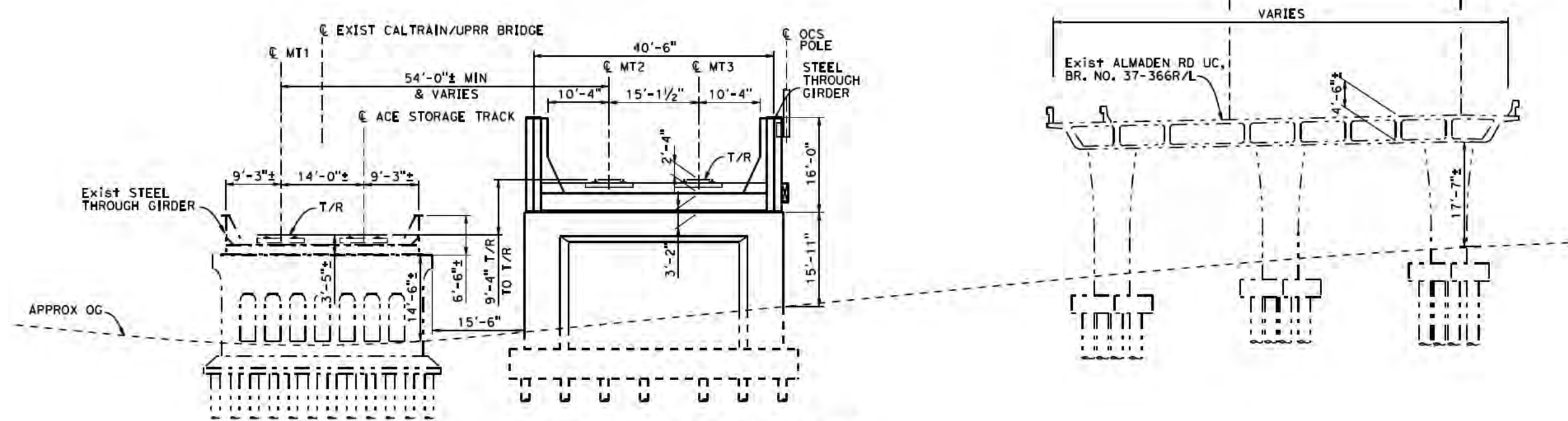
2021 RECORD SET PER NOVEMBER 30, 2021 NOT FOR CONSTRUCTION	HNTB 1111 Broadway 9th Floor Oakland, CA 94607	CALIFORNIA High-Speed Rail Authority	CALIFORNIA HIGH-SPEED TRAIN PROJECT SAN JOSE TO MERCED CP COAST TO GILROY BLENDED AT-GRADE ALTERNATIVE UNDERPASSES GENERAL PLAN 2 OF 4	CONTRACT NO. HSR15-34 DRAWING NO. ST-T4002 SCALE AS SHOWN SHEET NO.
---	--	--	---	--



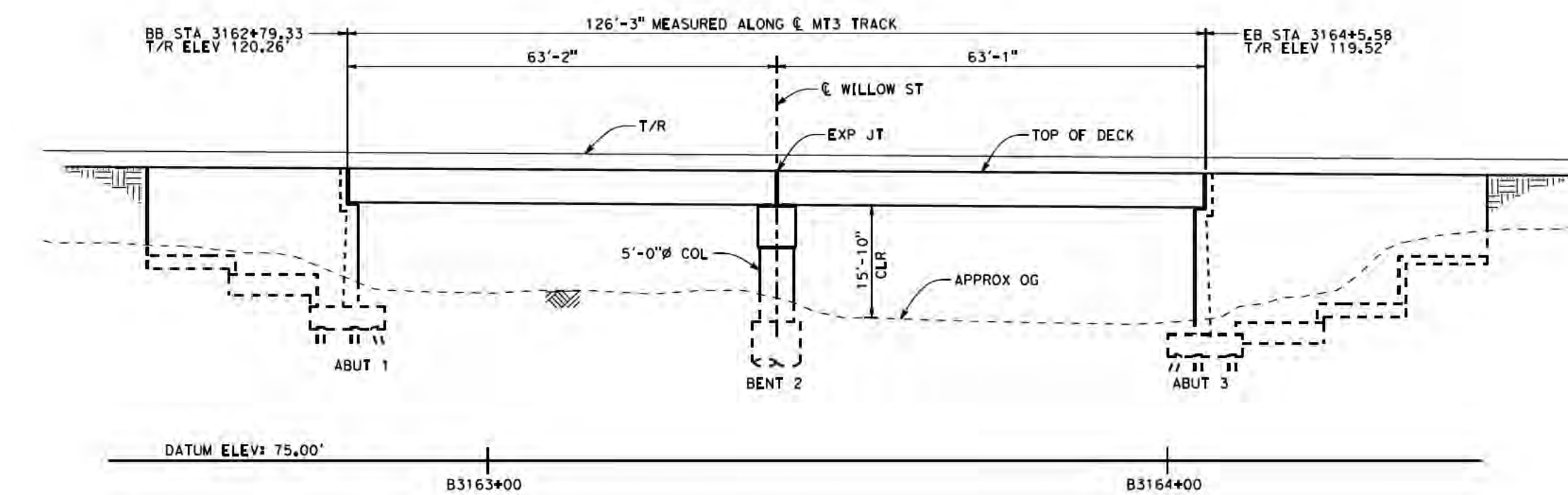
TYPICAL SECTION AT BENT 2
SCALE: 1" = 20'



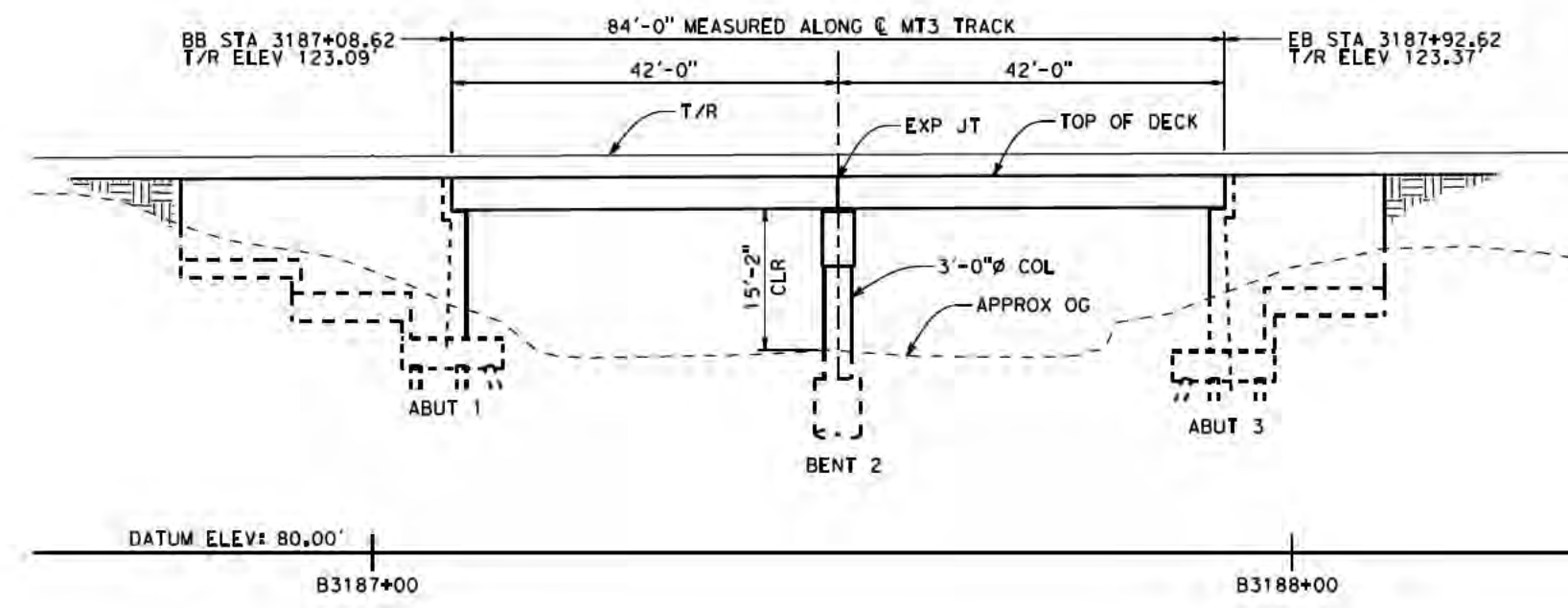
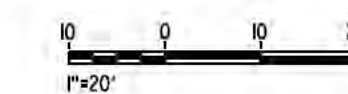
TYPICAL SECTION AT BENT 2
SCALE: 1" = 20'



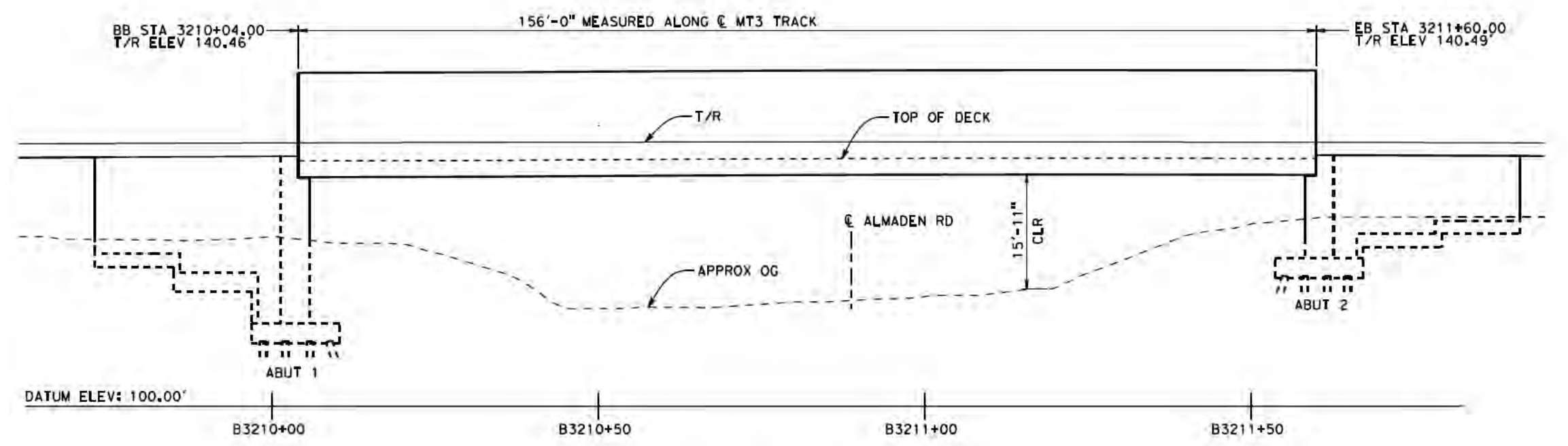
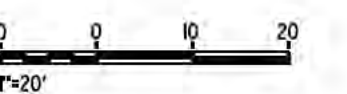
TYPICAL SECTION AT ABUT 2
SCALE: 1" = 20'



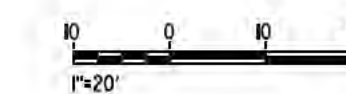
ELEVATION - WILLOW ST
SCALE: 1" = 20'



ELEVATION - ALMA
SCALE: 1" = 20'

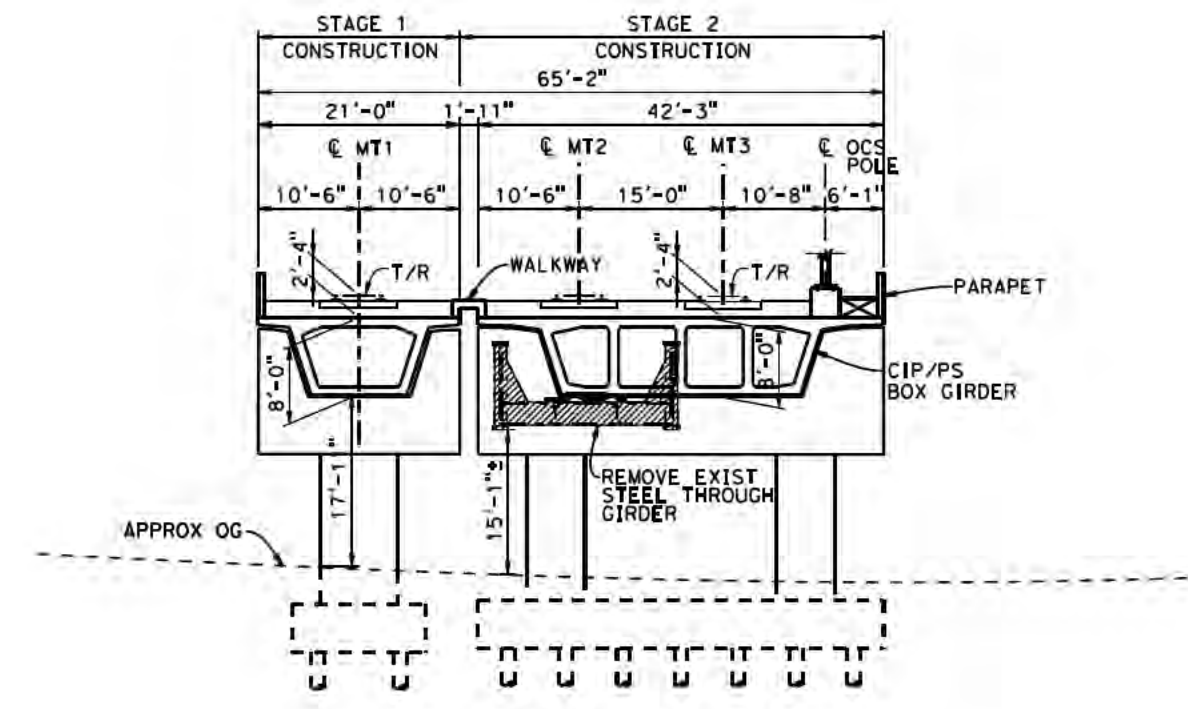


ELEVATION - ALMADEN RD
SCALE: 1" = 20'

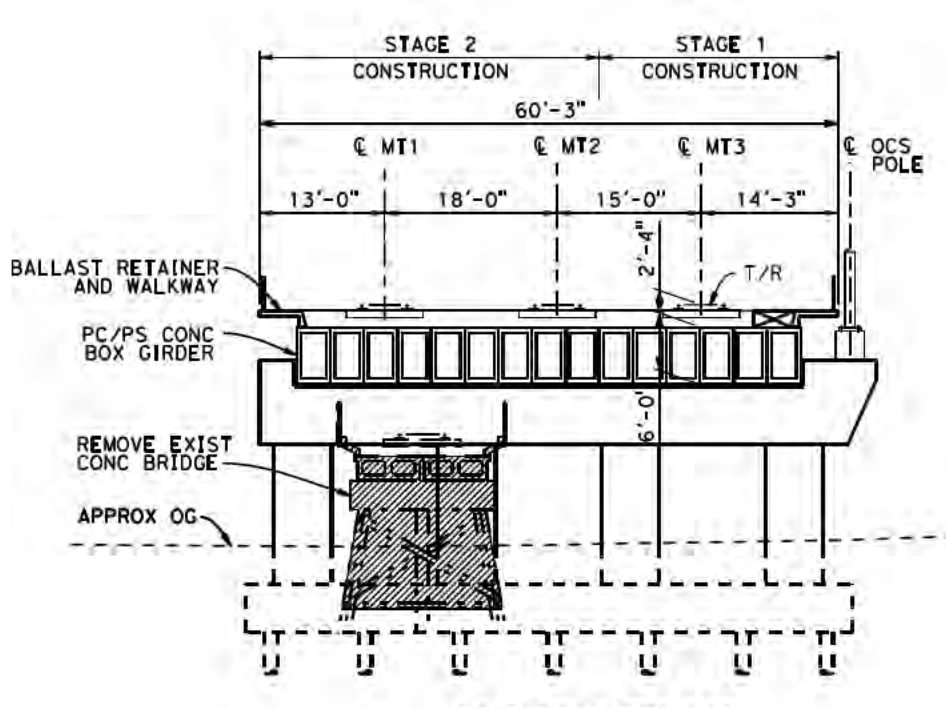


SAN JOSE TO CVY EIR/S: VOLUME III
ALTERNATIVE 4
BOOK 4D
SHEET 93 OF 176

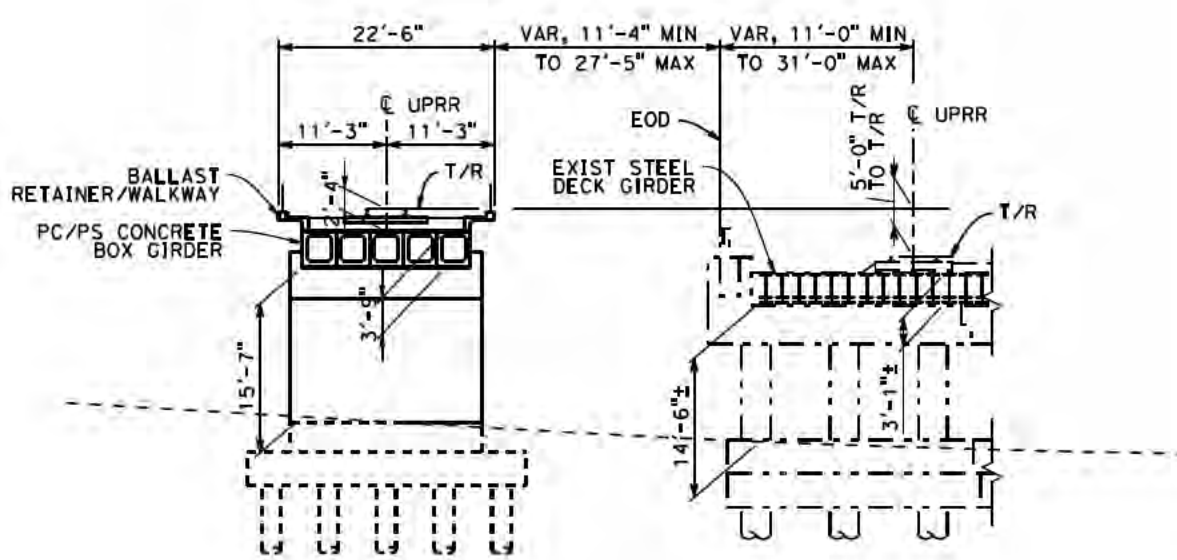
2021 RECORD SET PER NOVEMBER 30, 2021 NOT FOR CONSTRUCTION	HNTB 1111 Broadway 9th Floor Oakland, CA 94607	CALIFORNIA High-Speed Rail Authority	CALIFORNIA HIGH-SPEED TRAIN PROJECT SAN JOSE TO MERCED CP COAST TO GILROY BLENDED AT-GRADE ALTERNATIVE UNDERPASSES GENERAL PLAN 3 OF 4	CONTRACT NO. HSR15-34 DRAWING NO. ST-T4003 SCALE AS SHOWN SHEET NO.
--	--	--	---	---



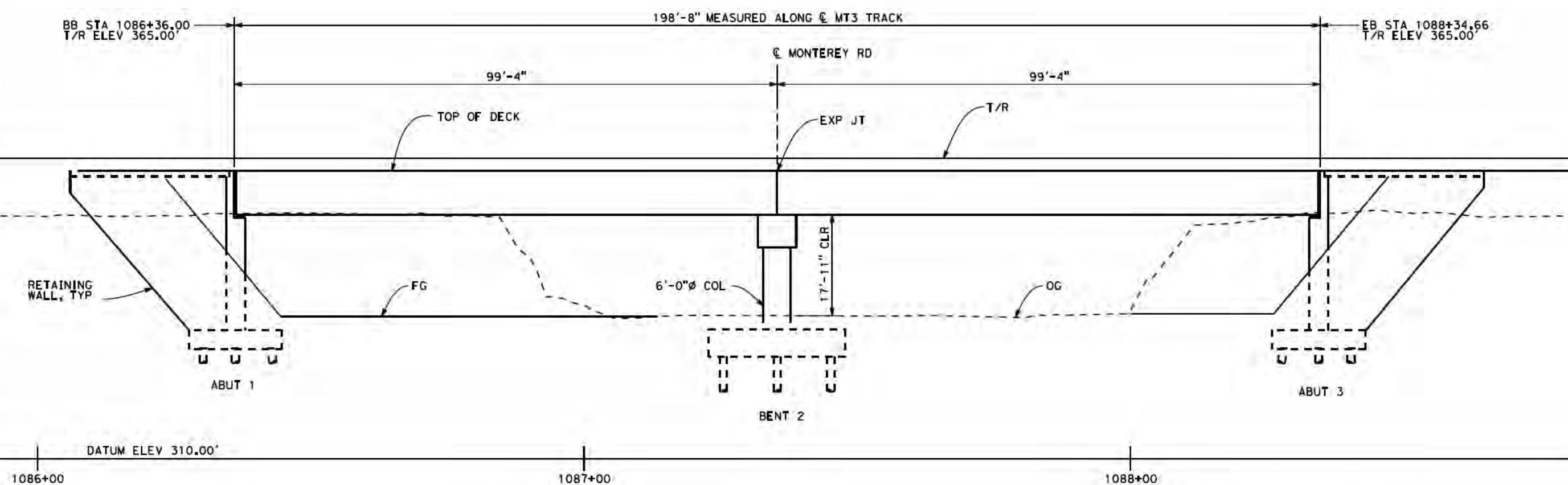
MONTEREY ROAD
SCALE: 1" = 20'



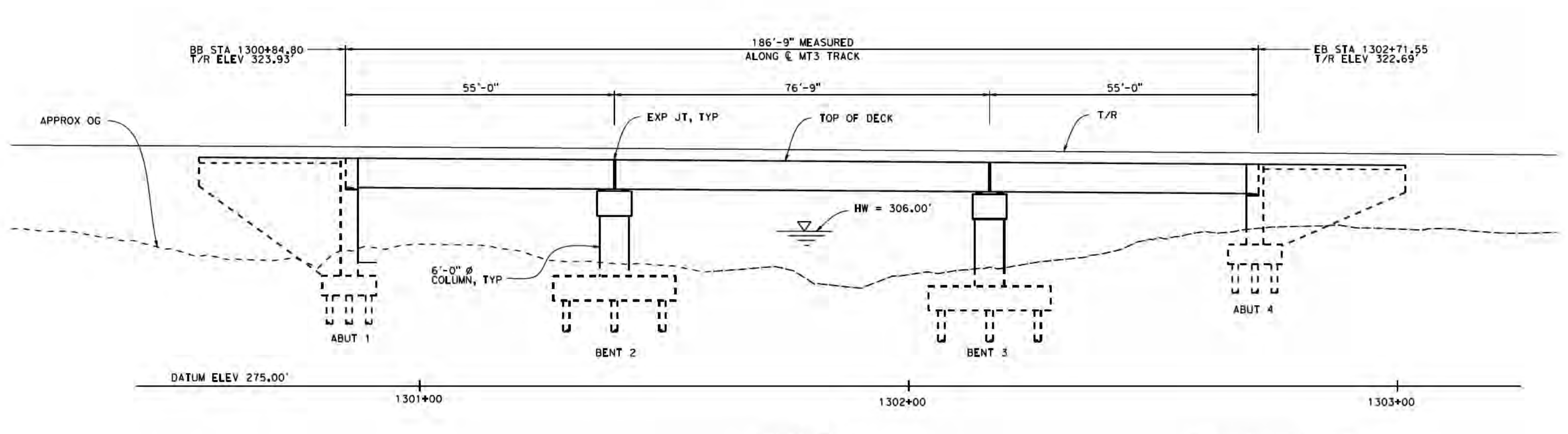
LLAGAS CREEK
SCALE: 1" = 20'



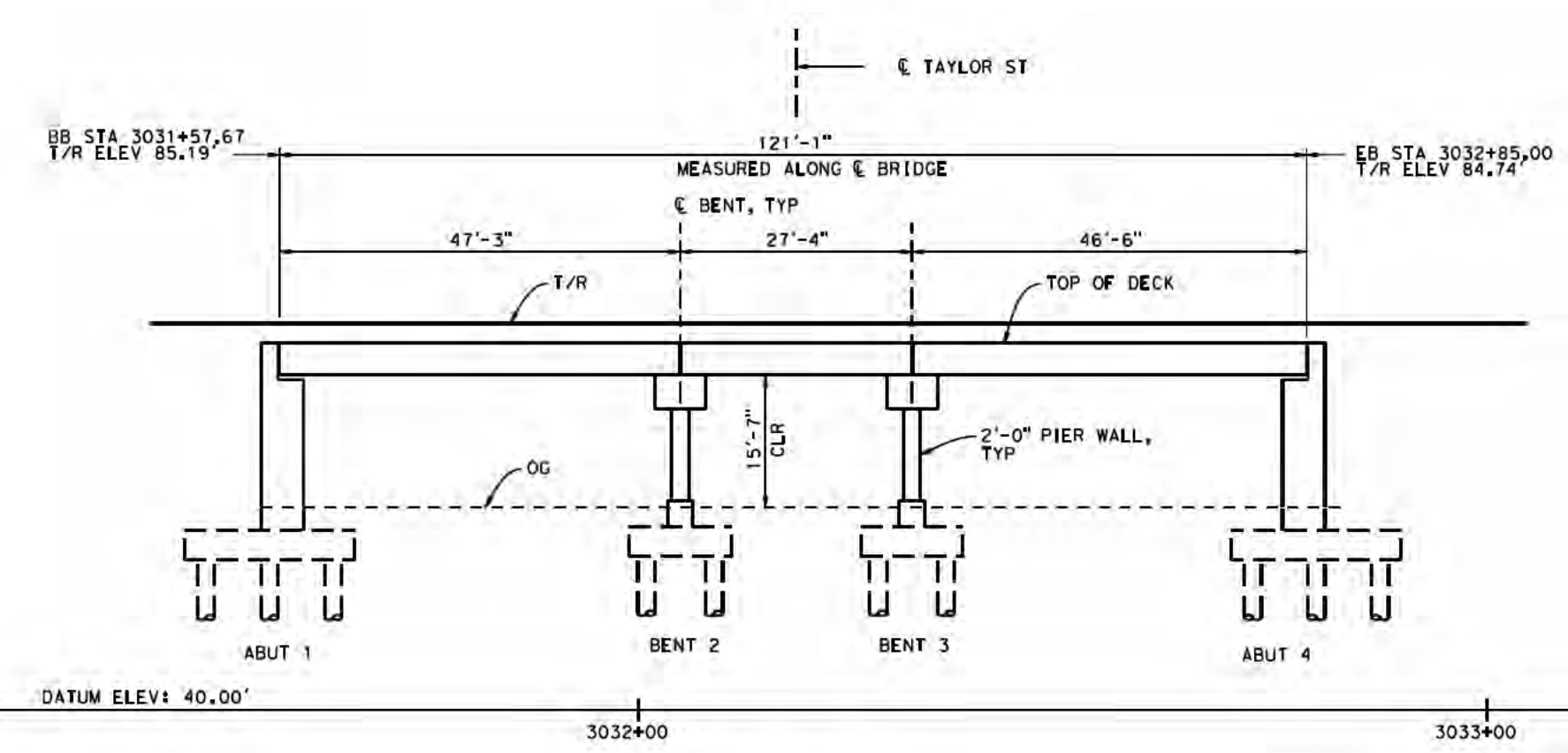
TAYLOR ST UPRR
SCALE: 1" = 20'



ELEVATION
SCALE: 1" = 20'



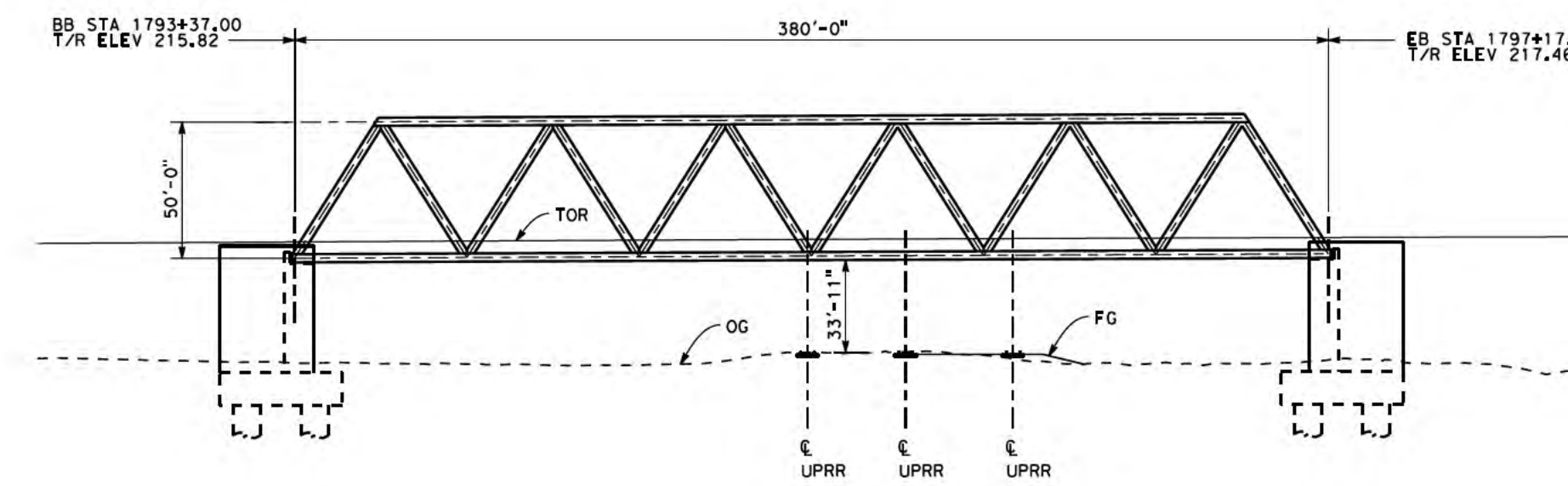
ELEVATION
SCALE: 1" = 20'



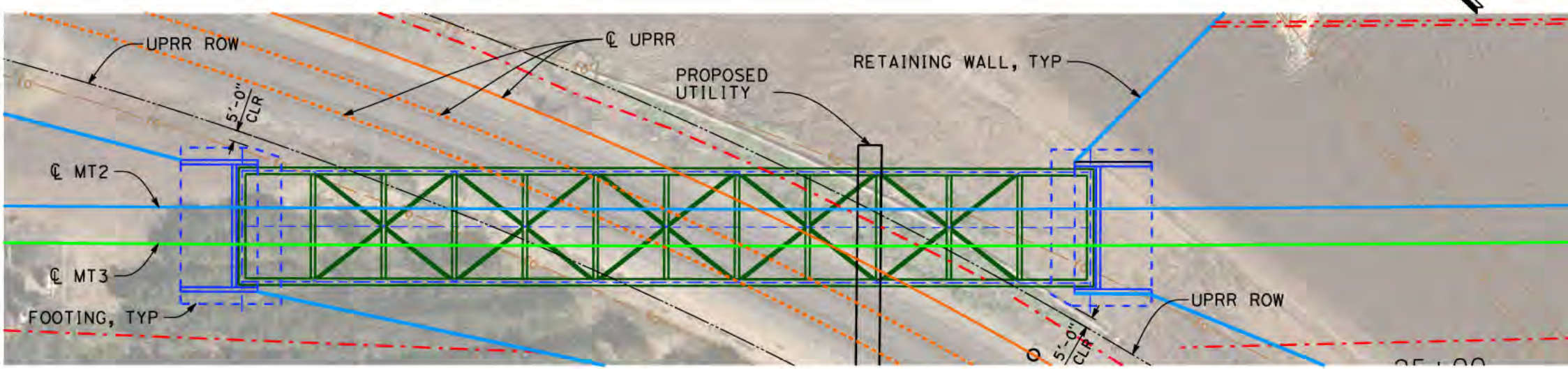
ELEVATION
SCALE: 1" = 20'

SAN JOSE TO CVY EIR/S: VOLUME III
ALTERNATIVE 4
BOOK 4D
SHEET 94 OF 176

2021 RECORD SET PBD NOVEMBER 30, 2021 NOT FOR CONSTRUCTION	HNTB 1111 Broadway 9th Floor Oakland, CA 94607	CALIFORNIA High-Speed Rail Authority	CALIFORNIA HIGH-SPEED TRAIN PROJECT SAN JOSE TO MERCED CP COAST TO GILROY BLENDED AT-GRADE ALTERNATIVE UNDERPASSES GENERAL PLAN 4 OF 4	CONTRACT NO. HSR15-34 DRAWING NO. ST-T4004 SCALE AS SHOWN SHEET NO.
--	--	--	---	---

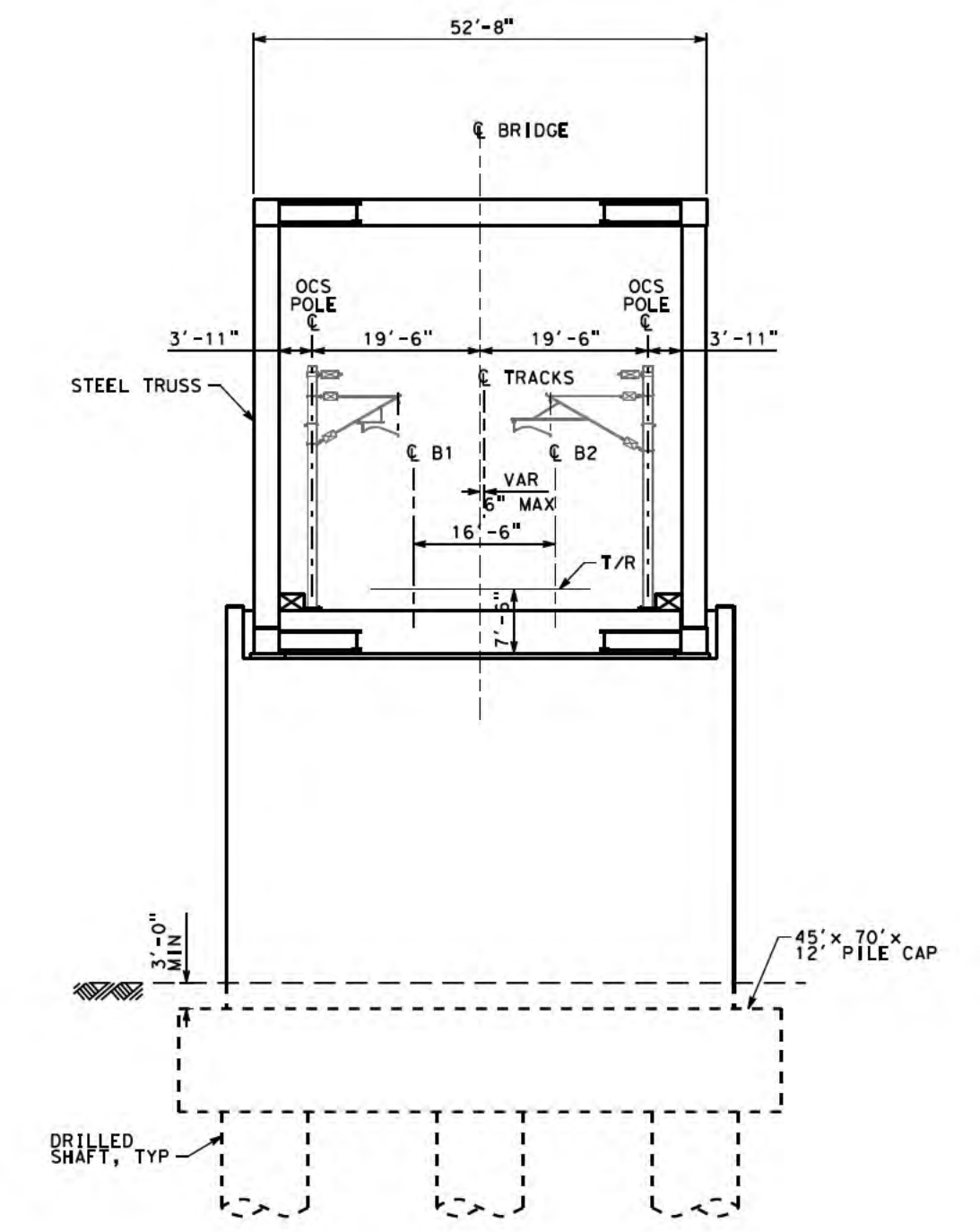
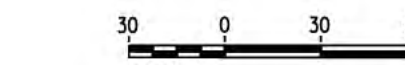


ELEVATION
SCALE: 1" = 60'

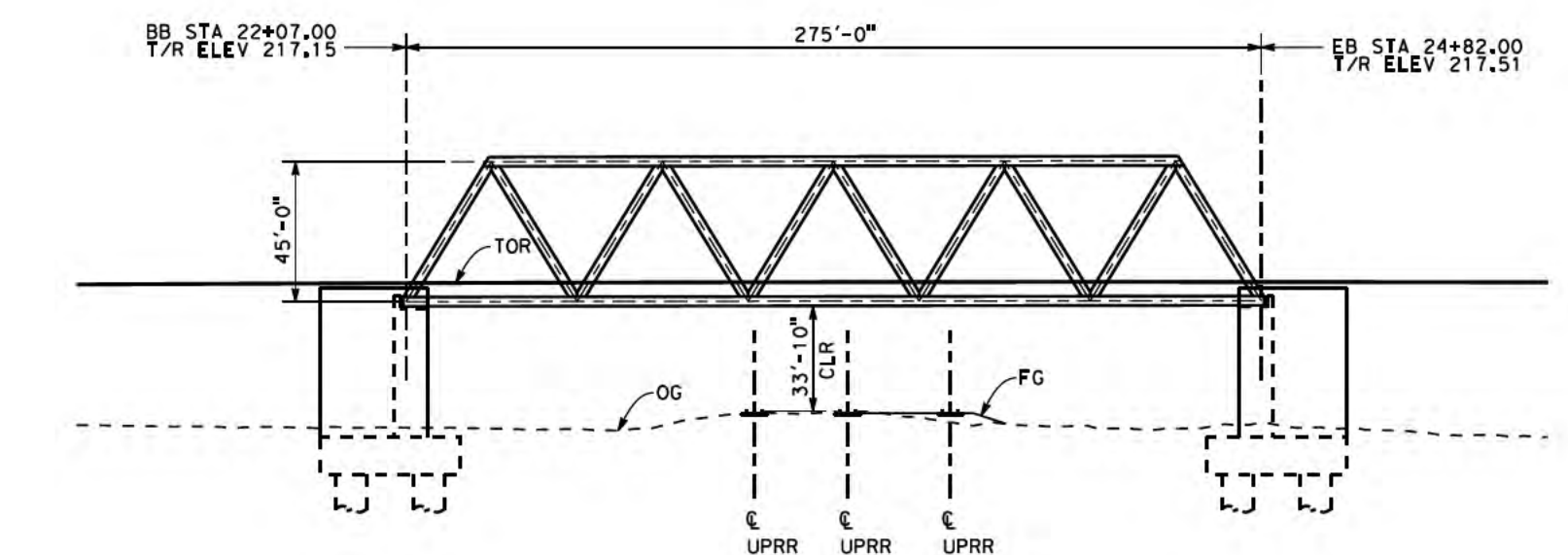
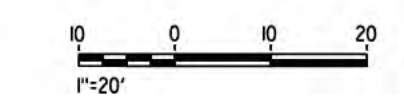


PLAN
SCALE: 1" = 60'

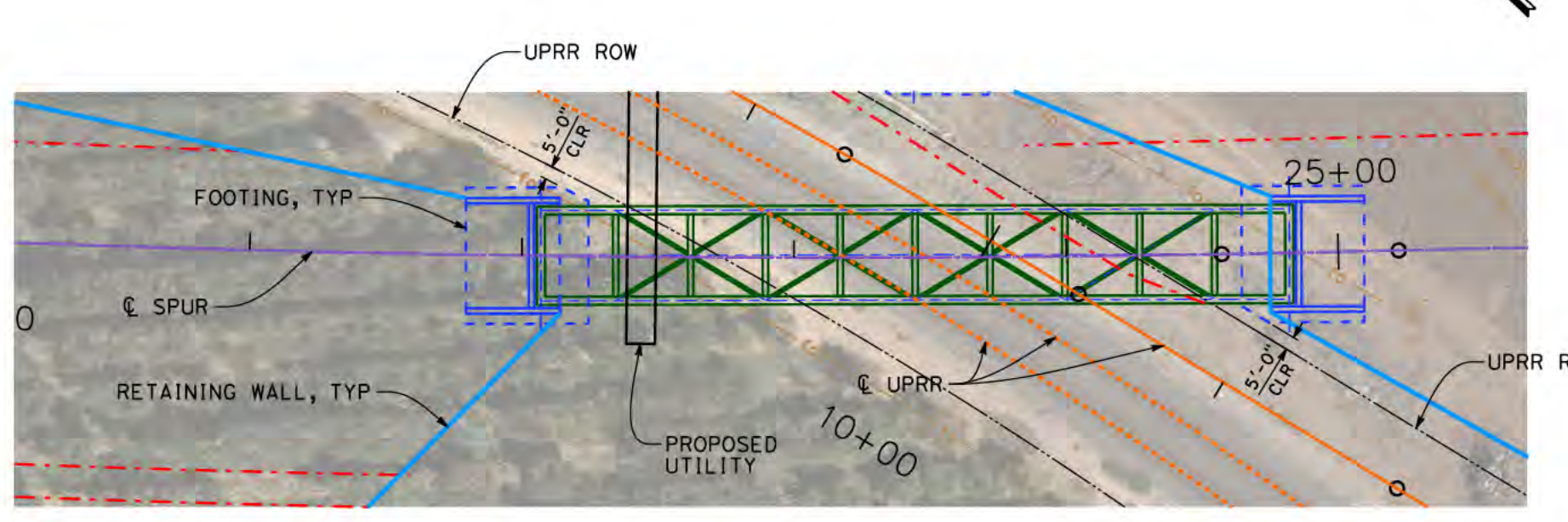
TRUSS: 2 HSR TRACKS OVER 3 UPRR TRACKS



TYPICAL SECTION
SCALE: 1" = 20'

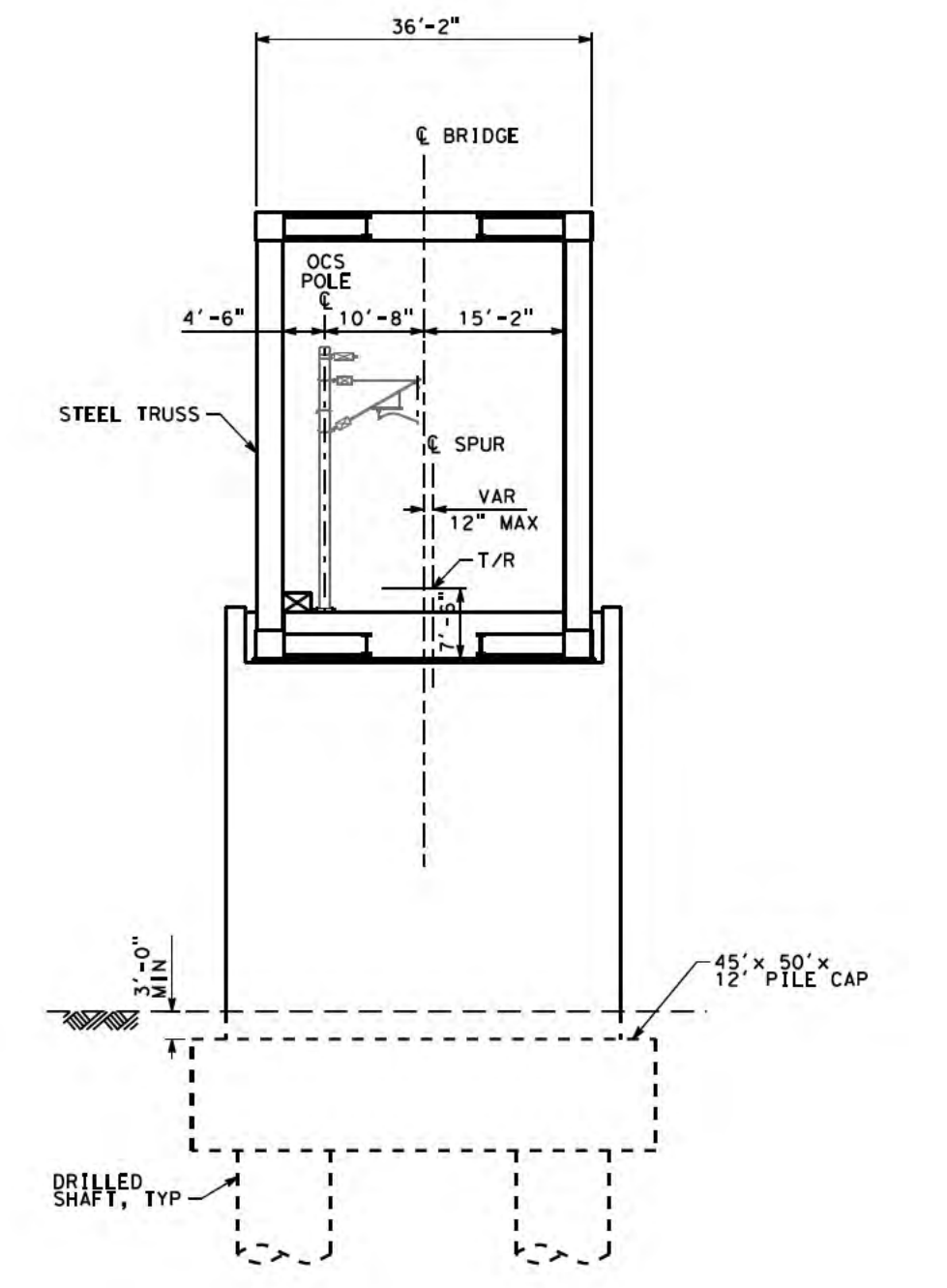
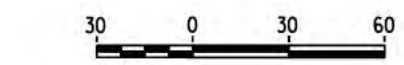


ELEVATION
SCALE: 1" = 60'

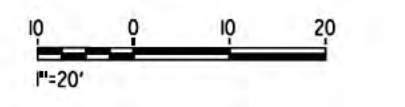


PLAN
SCALE: 1" = 60'

TRUSS: MOWF SPUR TRACK OVER 3 UPRR TRACKS



TYPICAL SECTION
SCALE: 1" = 20'



SAN JOSE TO CVY EIR/S: VOLUME III
ALTERNATIVE 4
BOOK 4D
SHEET 95 OF 176

2021 RECORD SET PERD
NOVEMBER 30, 2021
NOT FOR CONSTRUCTION

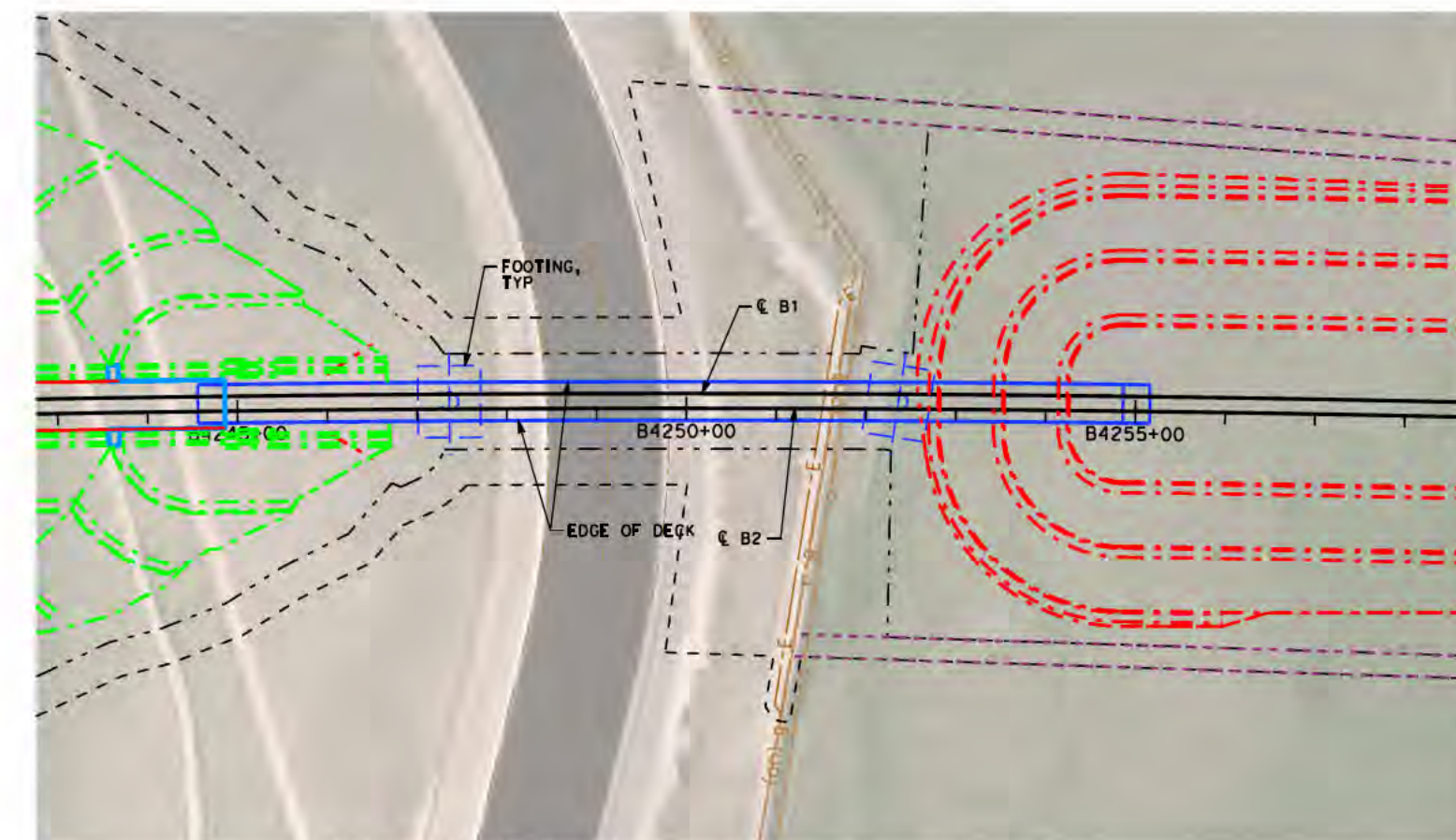
HNTB

1111 Broadway
9th Floor
Oakland, CA 94607

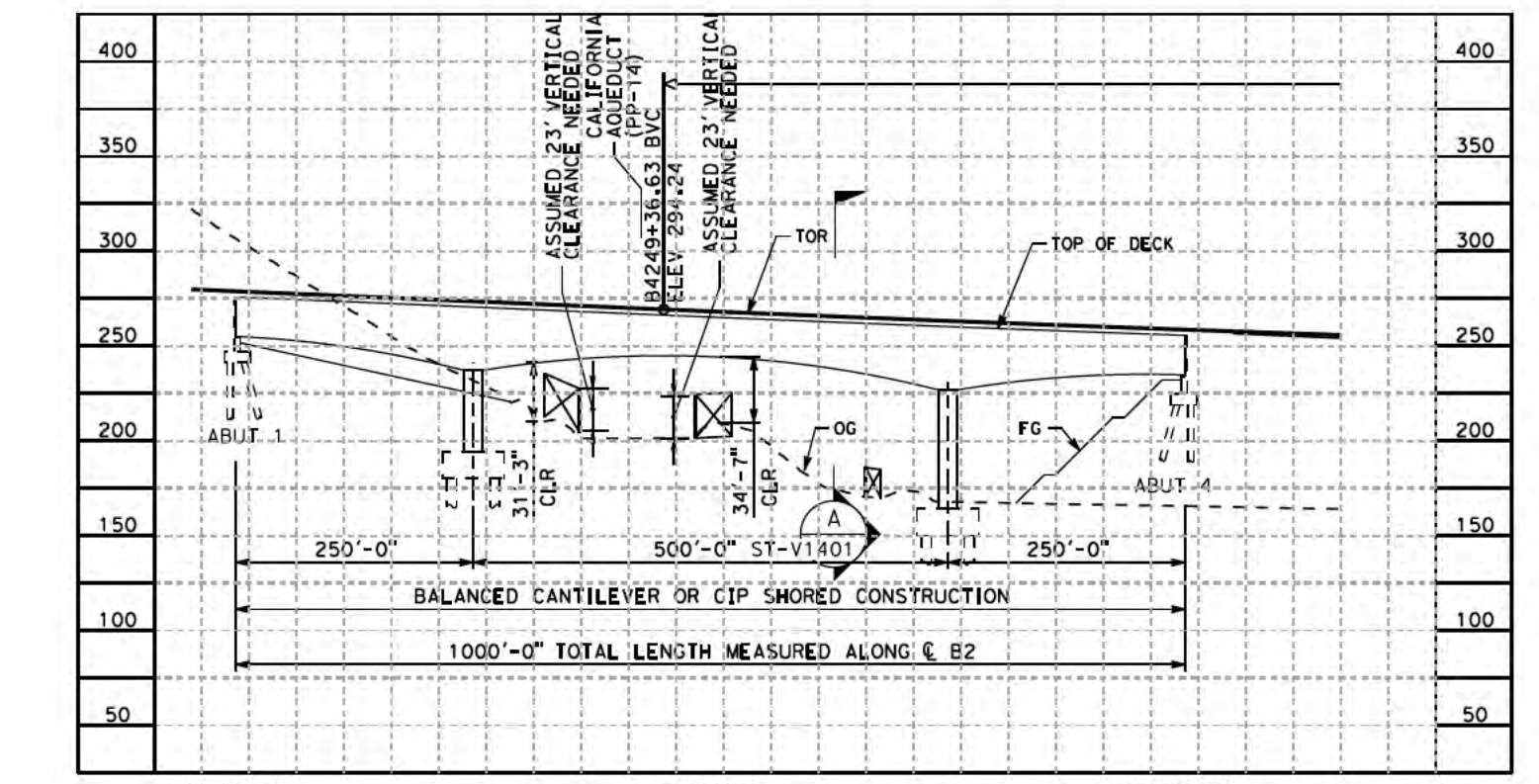


CALIFORNIA HIGH-SPEED TRAIN PROJECT
SAN JOSE TO MERCED
CP COAST TO GILROY
BLENDED AT-GRADE ALTERNATIVE
COMPLEX STRUCTURES
GENERAL PLAN

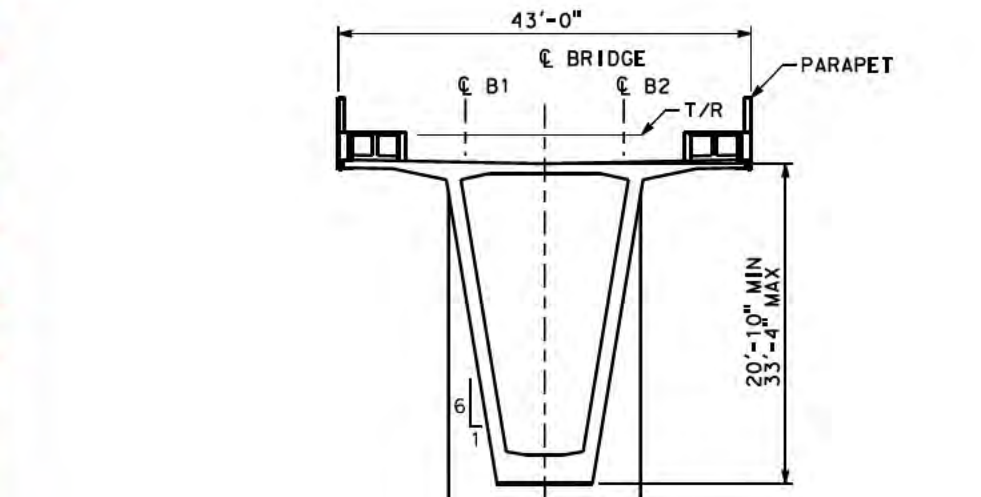
CONTRACT NO. HSR15-34
DRAWING NO. ST-V4001
SCALE AS SHOWN
SHEET NO.



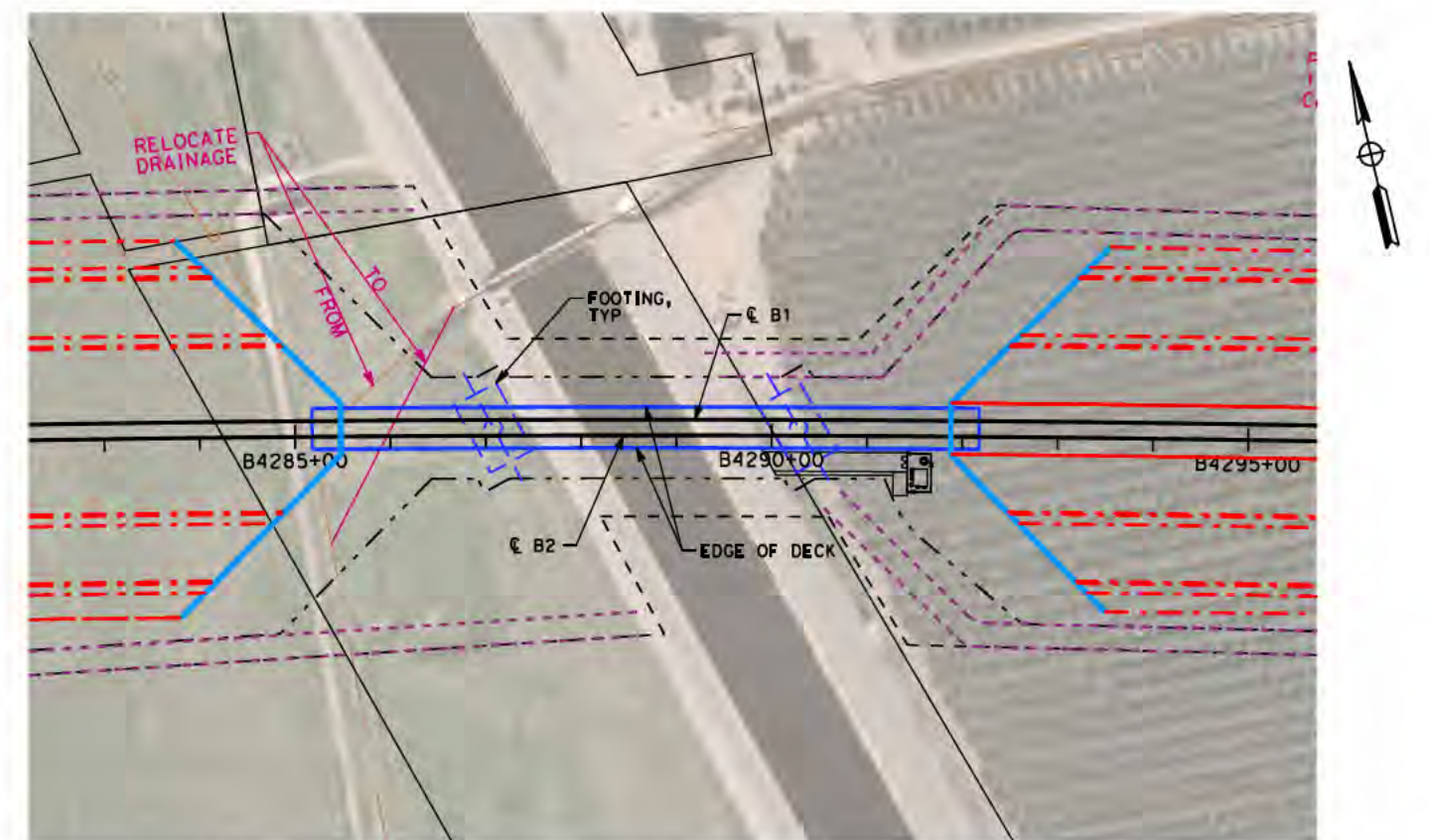
PLAN - CALIFORNIA AQUEDUCT
SCALE: 1"=200'



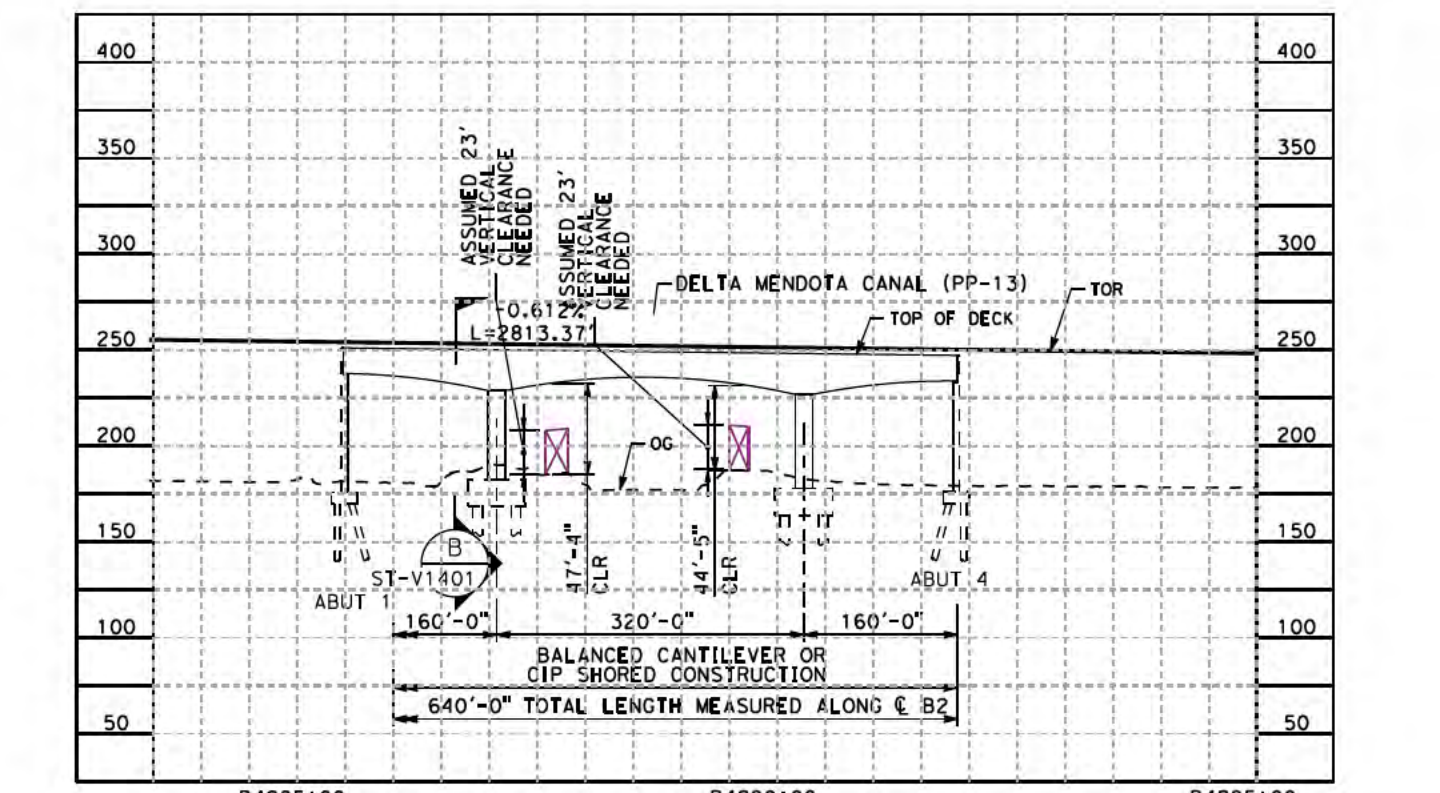
PROFILE - CALIFORNIA AQUEDUCT
SCALE: 1"=200' HOR, 1"=100' VERT



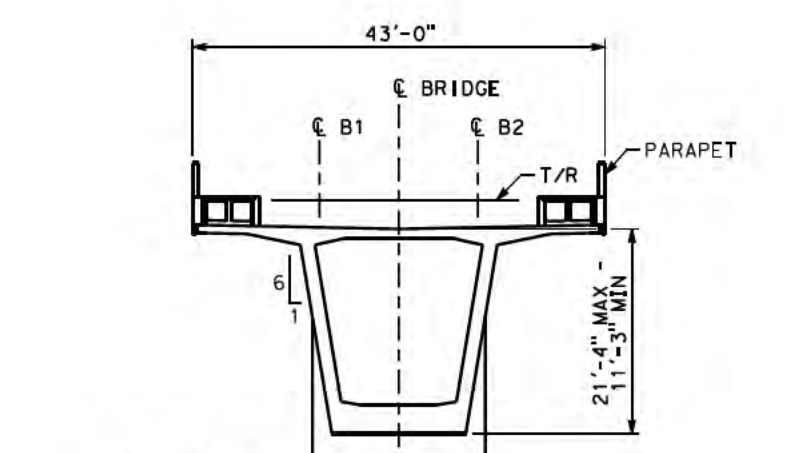
SECTION
SCALE: 1"=20'-0"



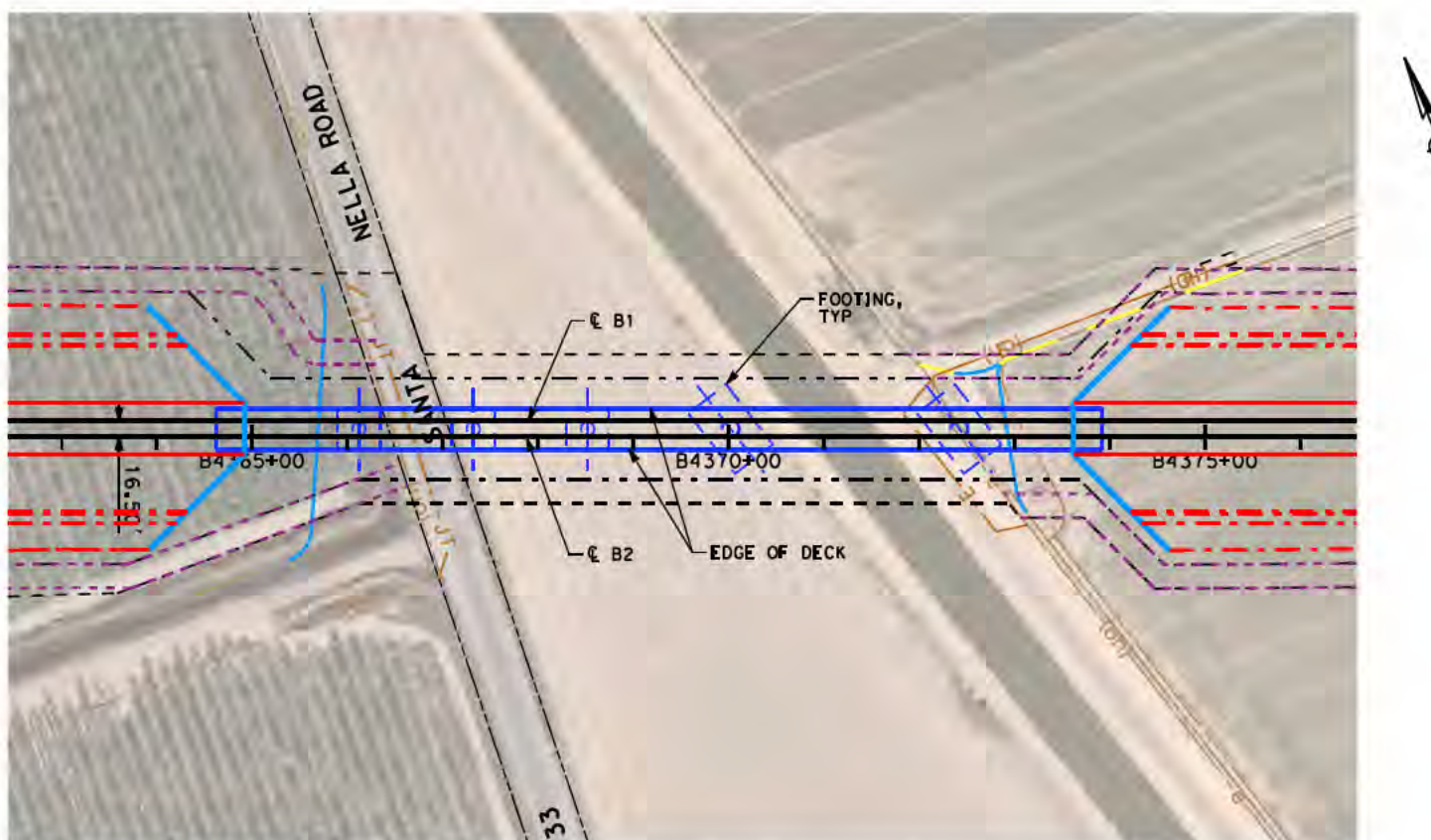
PLAN - DELTA MENDOTA
SCALE: 1"=200'



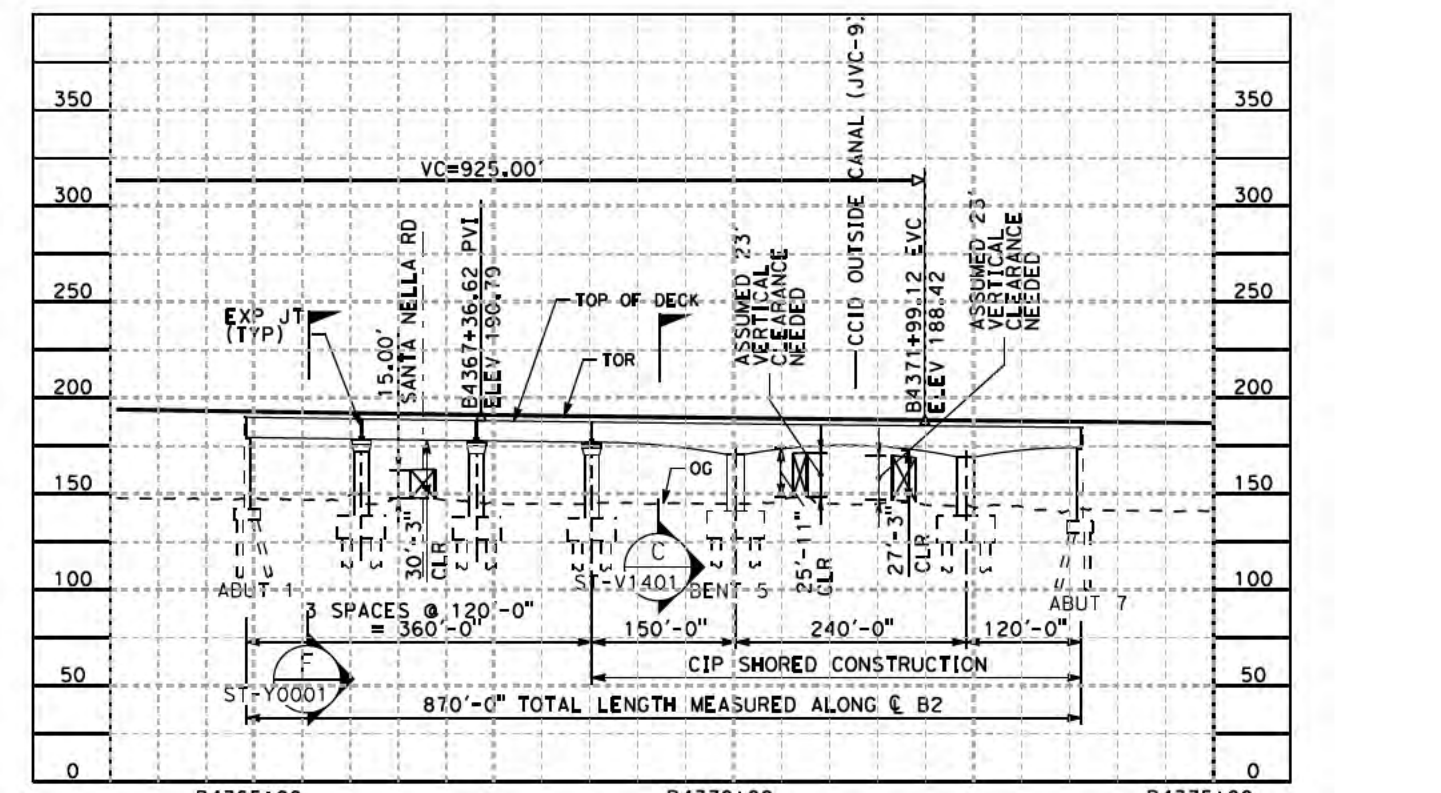
PROFILE - DELTA MENDOTA
SCALE: 1"=200' HOR, 1"=100' VERT



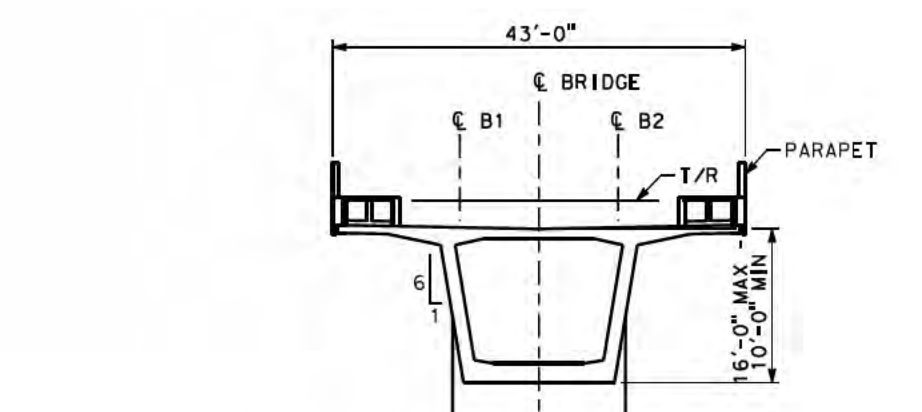
SECTION
SCALE: 1"=20'-0"



PLAN - CCID OUTSIDE CANAL
SCALE: 1"=200'



PROFILE - CCID OUTSIDE CANAL
SCALE: 1"=200' HOR, 1"=100' VERT

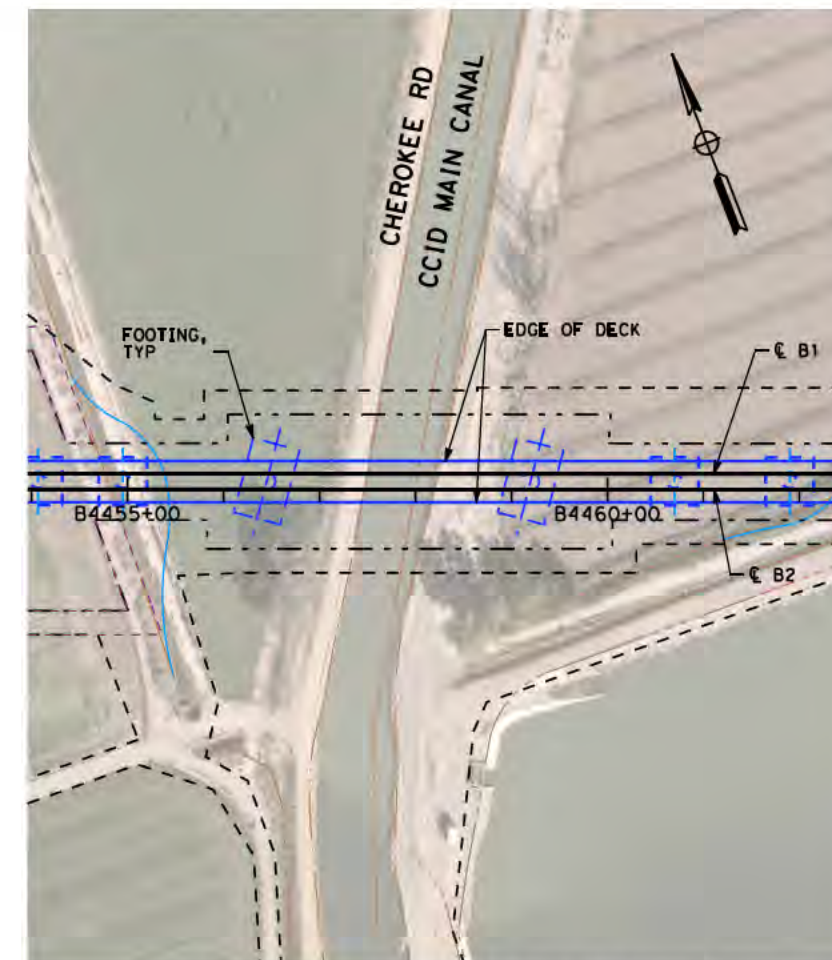


SECTION
SCALE: 1"=20'-0"

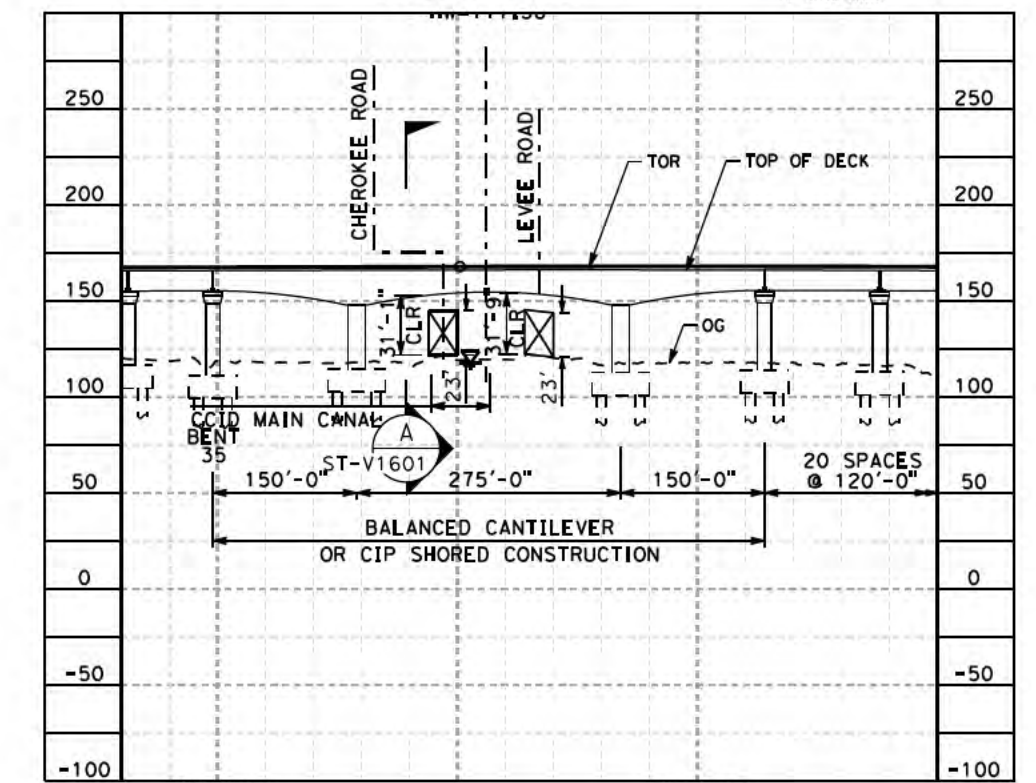
NOTE:
1. REFER TO GENERAL NOTES SHEETS GE-B0001 AND GE-B0002 FOR NOTES.

SAN JOSE TO CVY EIR/S: VOLUME III
ALTERNATIVE 4
BOOK 4D
SHEET 96 OF 176

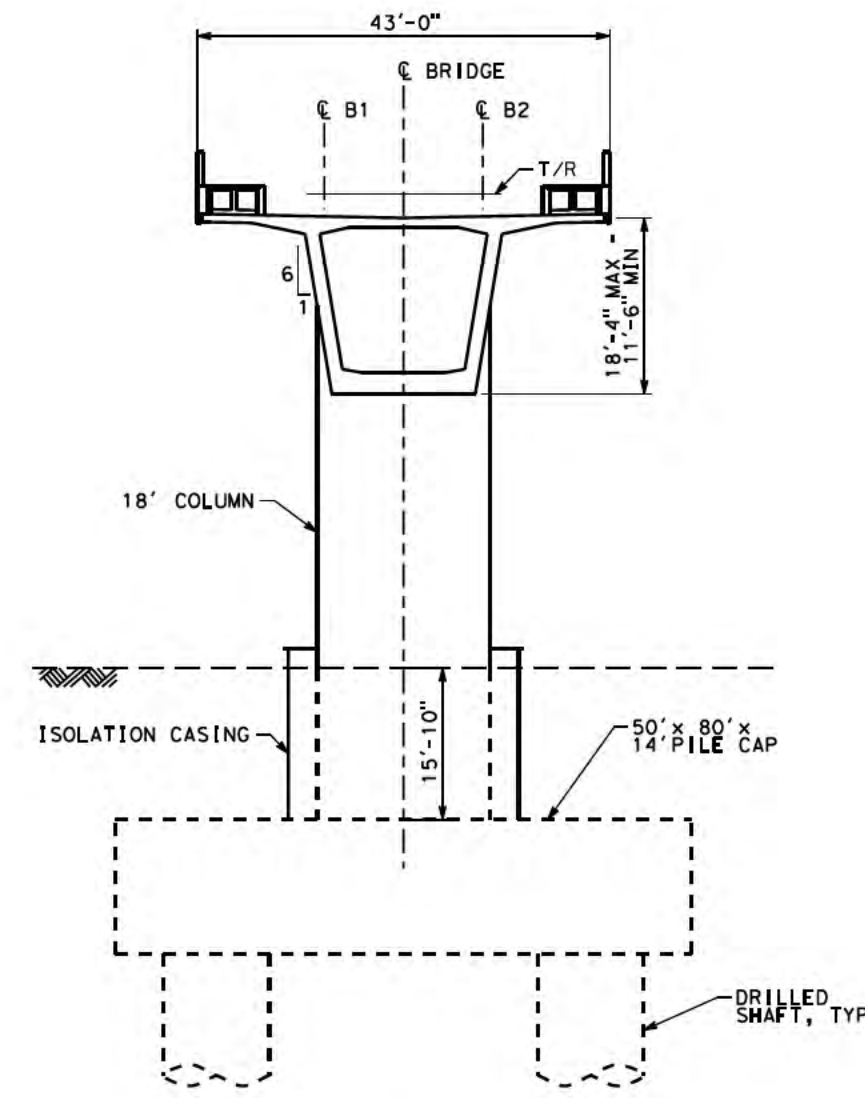
2021 RECORD SET PPD NOVEMBER 30, 2021 NOT FOR CONSTRUCTION	HNTB 1111 Broadway 9th Floor Oakland, CA 94607	CALIFORNIA High-Speed Rail Authority	CALIFORNIA HIGH-SPEED TRAIN PROJECT SAN JOSE TO MERCED TUNNEL PACHECO PASS COMPLEX STRUCTURES GENERAL PLAN	CONTRACT NO. HSR15-34 DRAWING NO. ST-V1401 SCALE AS SHOWN SHEET NO.
--	--	--	--	--



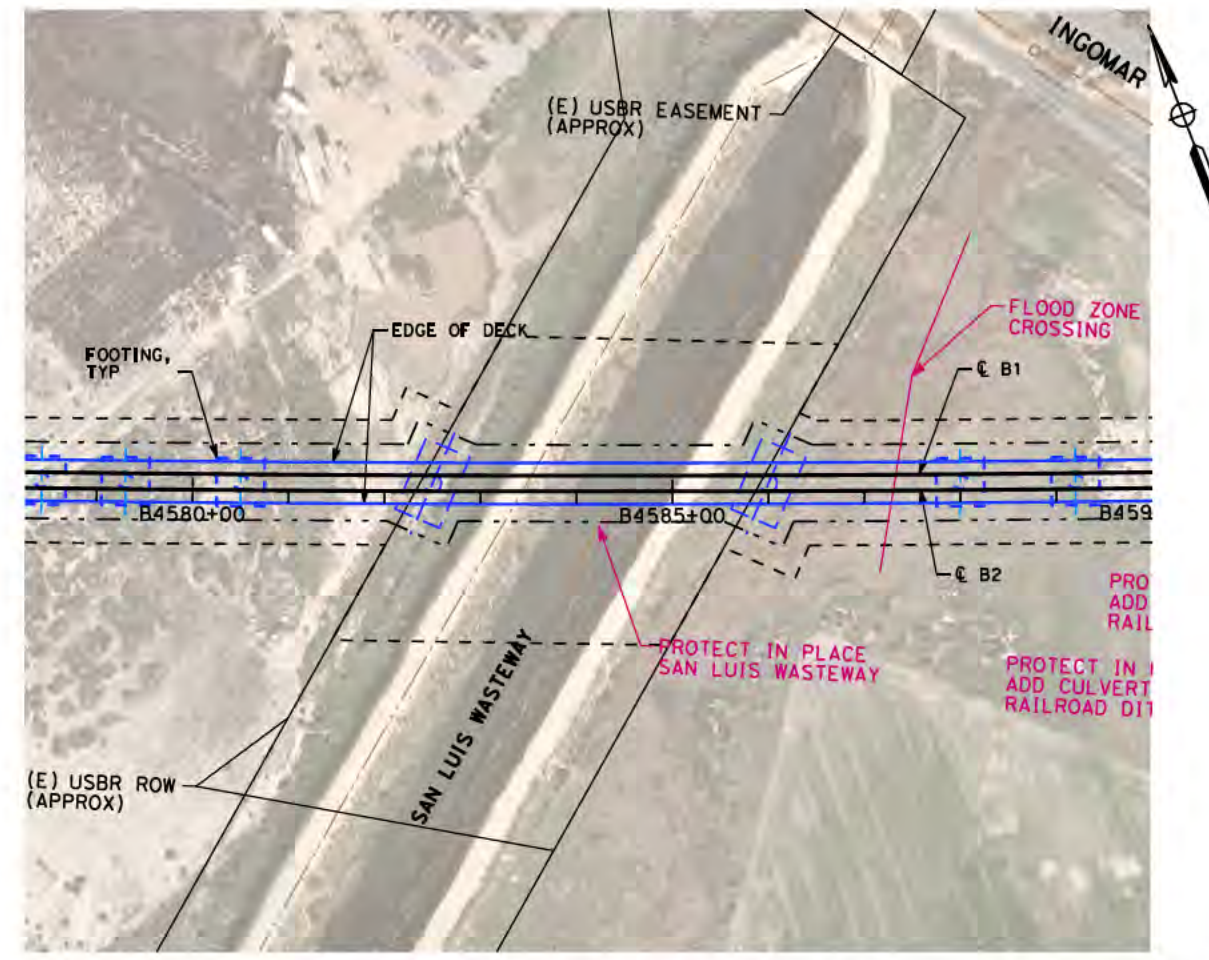
PLAN - CHEROKEE (LEVEE) RD
SCALE: 1"=200'



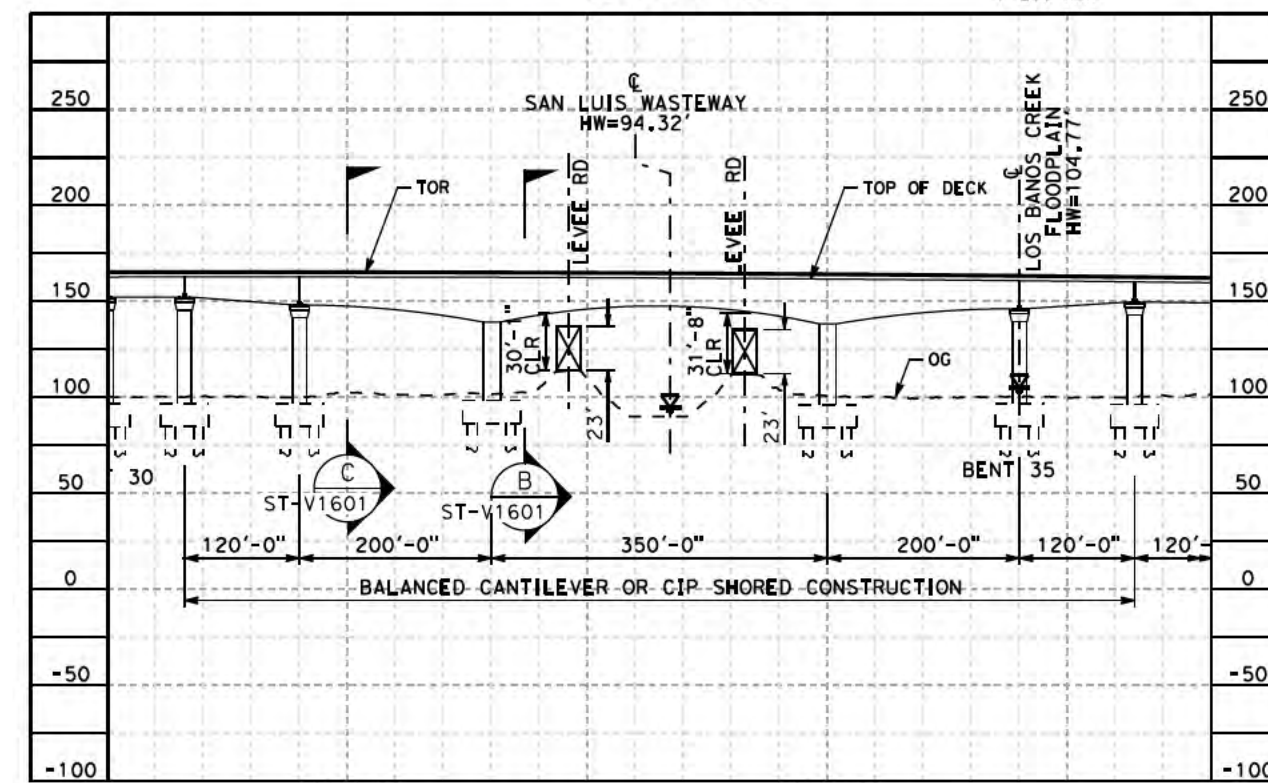
PROFILE - CHEROKEE (LEVEE) RD
SCALE: 1"=200' HOR, 1"=100' VERT



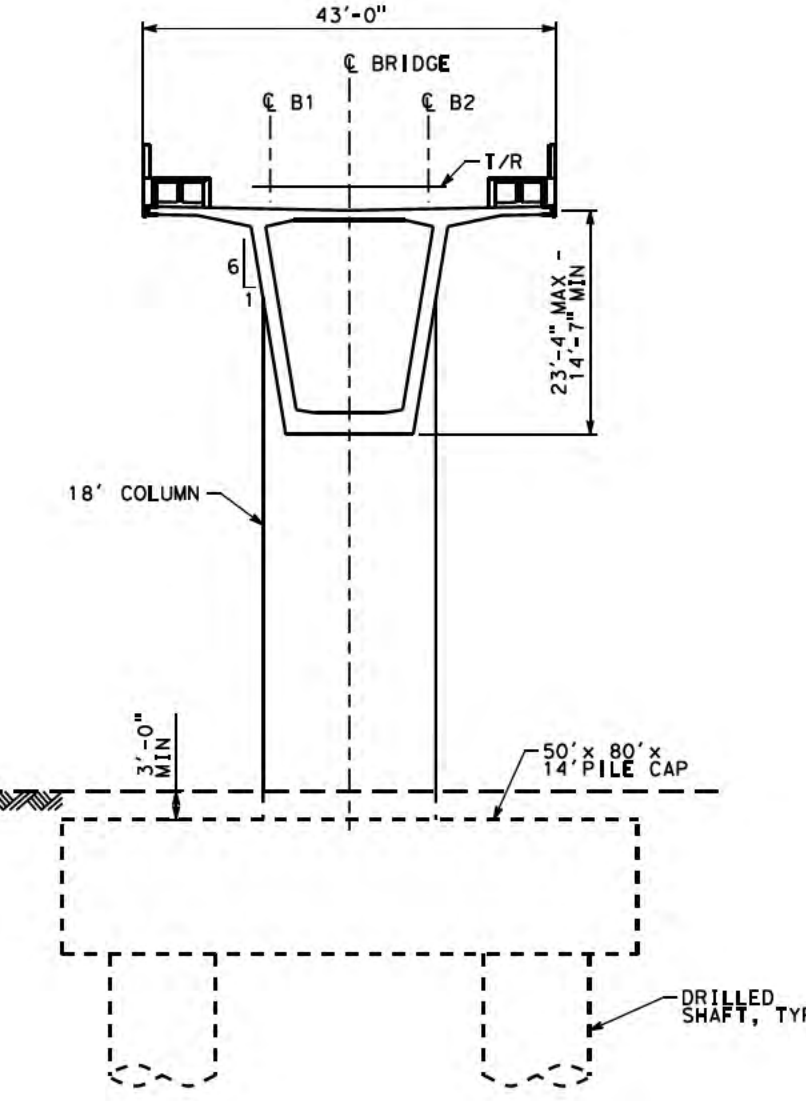
SECTION A-A
SCALE: 1"=20'-0"



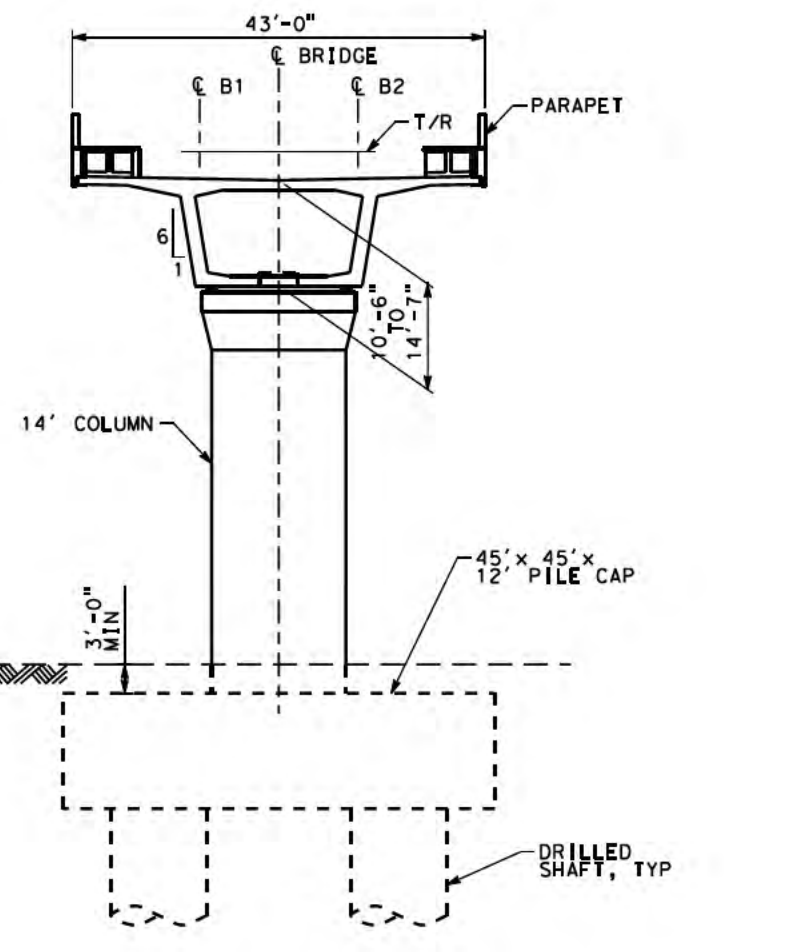
PLAN - SAN LUIS WASTEWAY
SCALE: 1"=200'



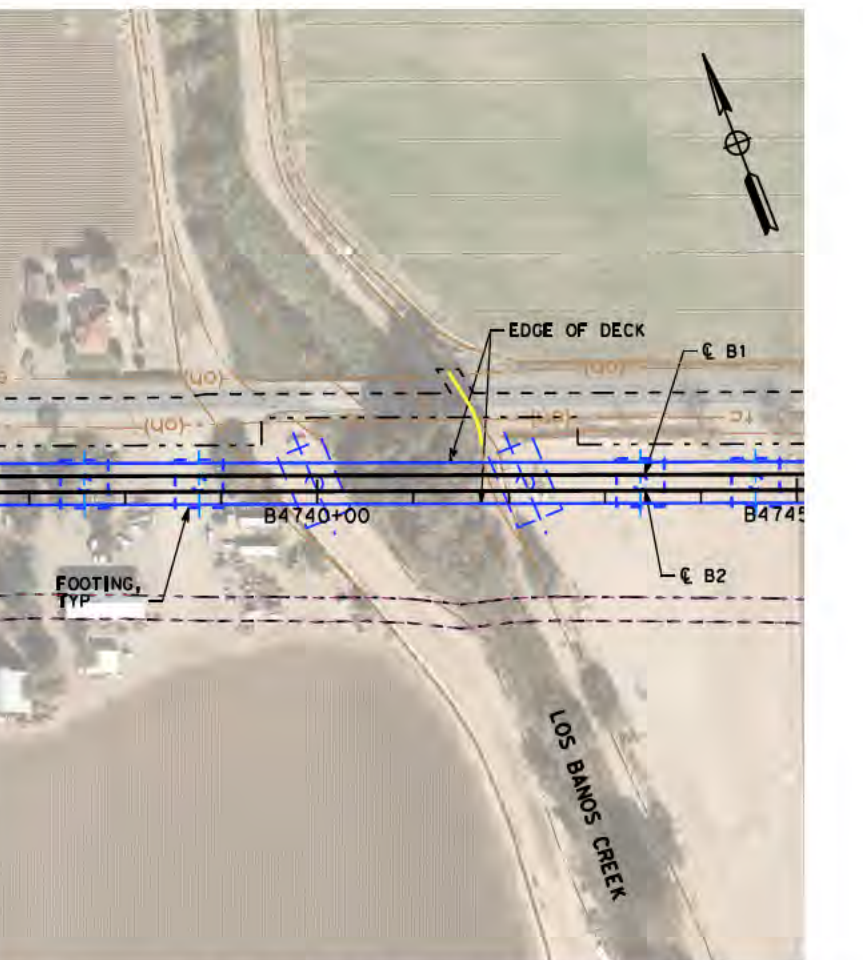
PROFILE - SAN LUIS WASTEWAY
SCALE: 1"=200' HOR, 1"=100' VERT



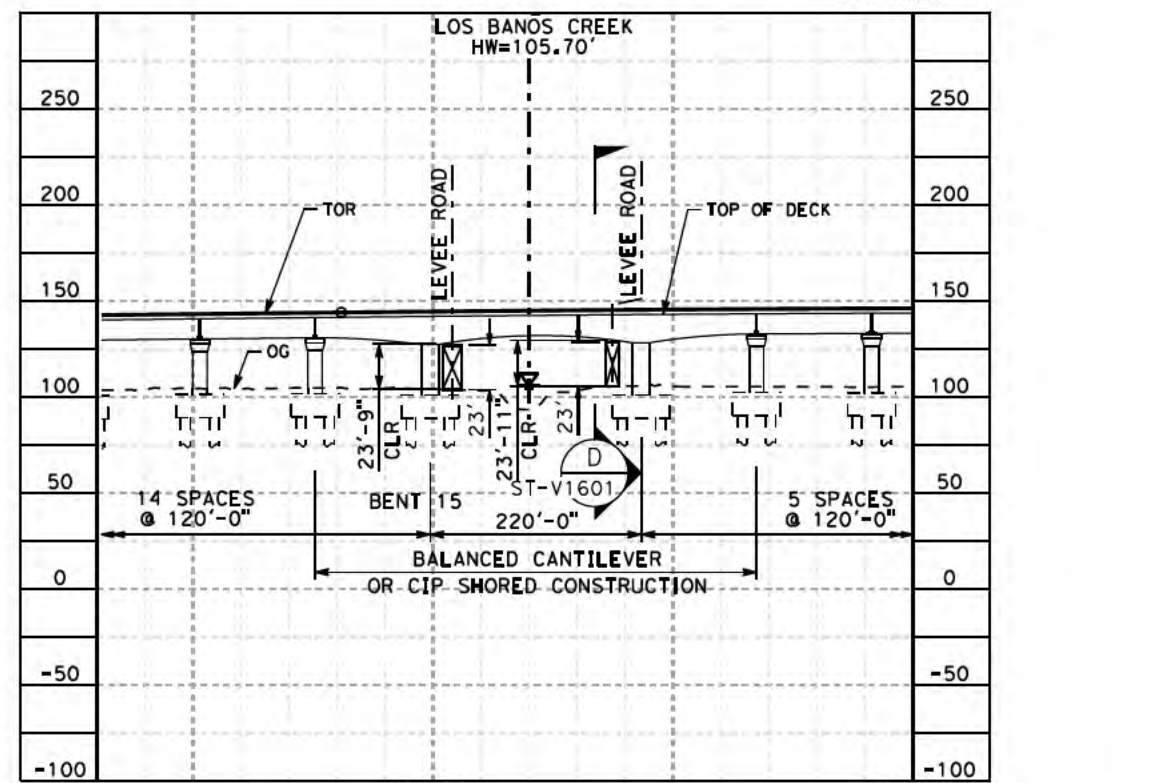
SECTION B-B
SCALE: 1"=20'-0"



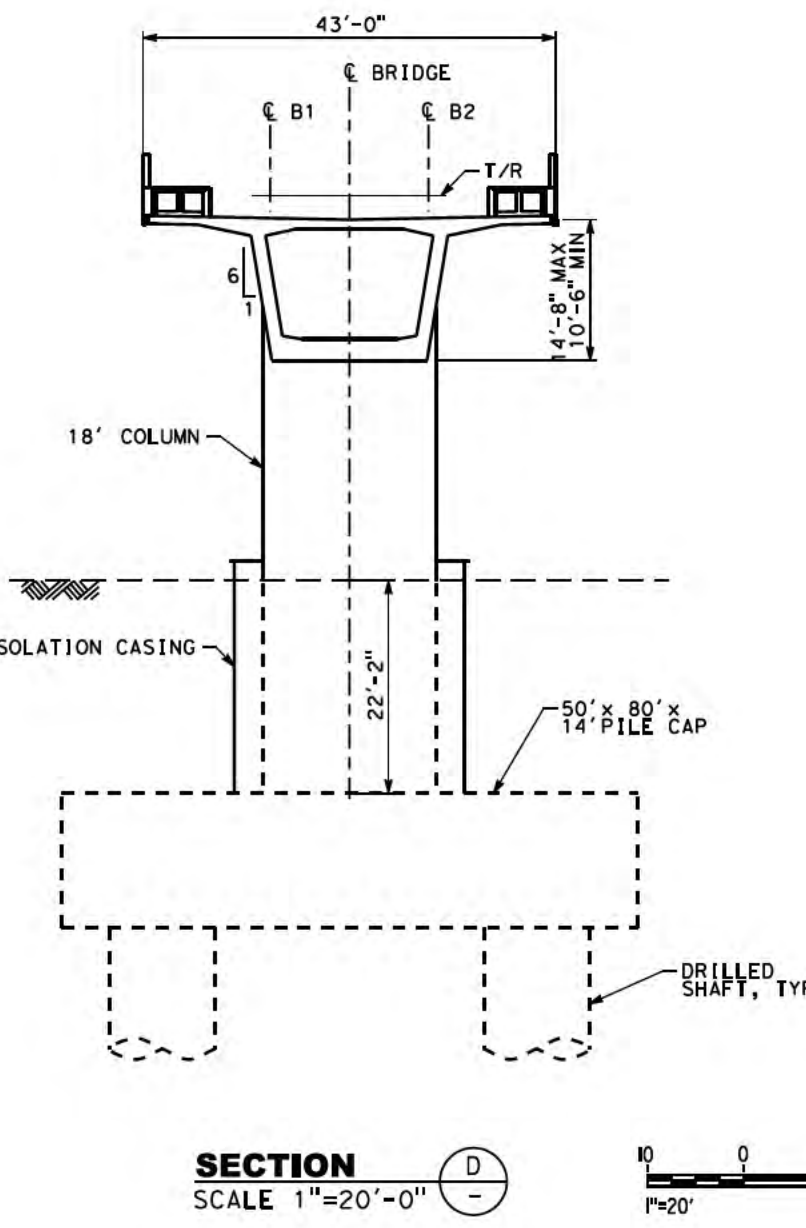
SECTION C-C
SCALE: 1"=20'-0"



PLAN - LOS BANOS CREEK
SCALE: 1"=200'



PROFILE - LOS BANOS CREEK
SCALE: 1"=200' HOR, 1"=100' VERT

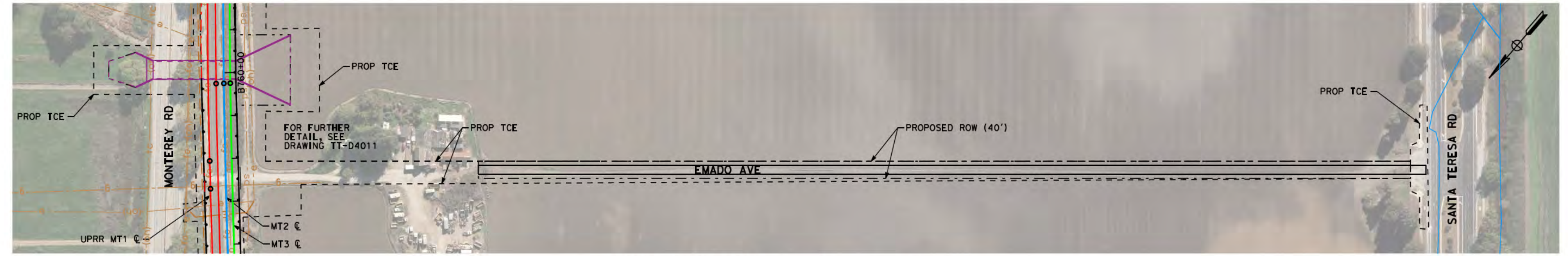


SECTION D-D
SCALE: 1"=20'-0"

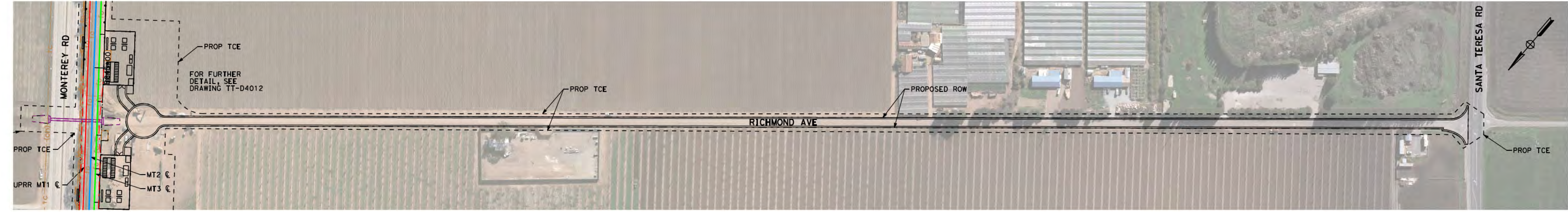
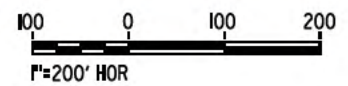
NOTE:
REFER TO GENERAL NOTES SHEETS GE-B0001 AND GE-B0002 FOR NOTES.

SAN JOSE TO CVY EIR/S: VOLUME III
ALTERNATIVE 4
BOOK 4D
SHEET 97 OF 176

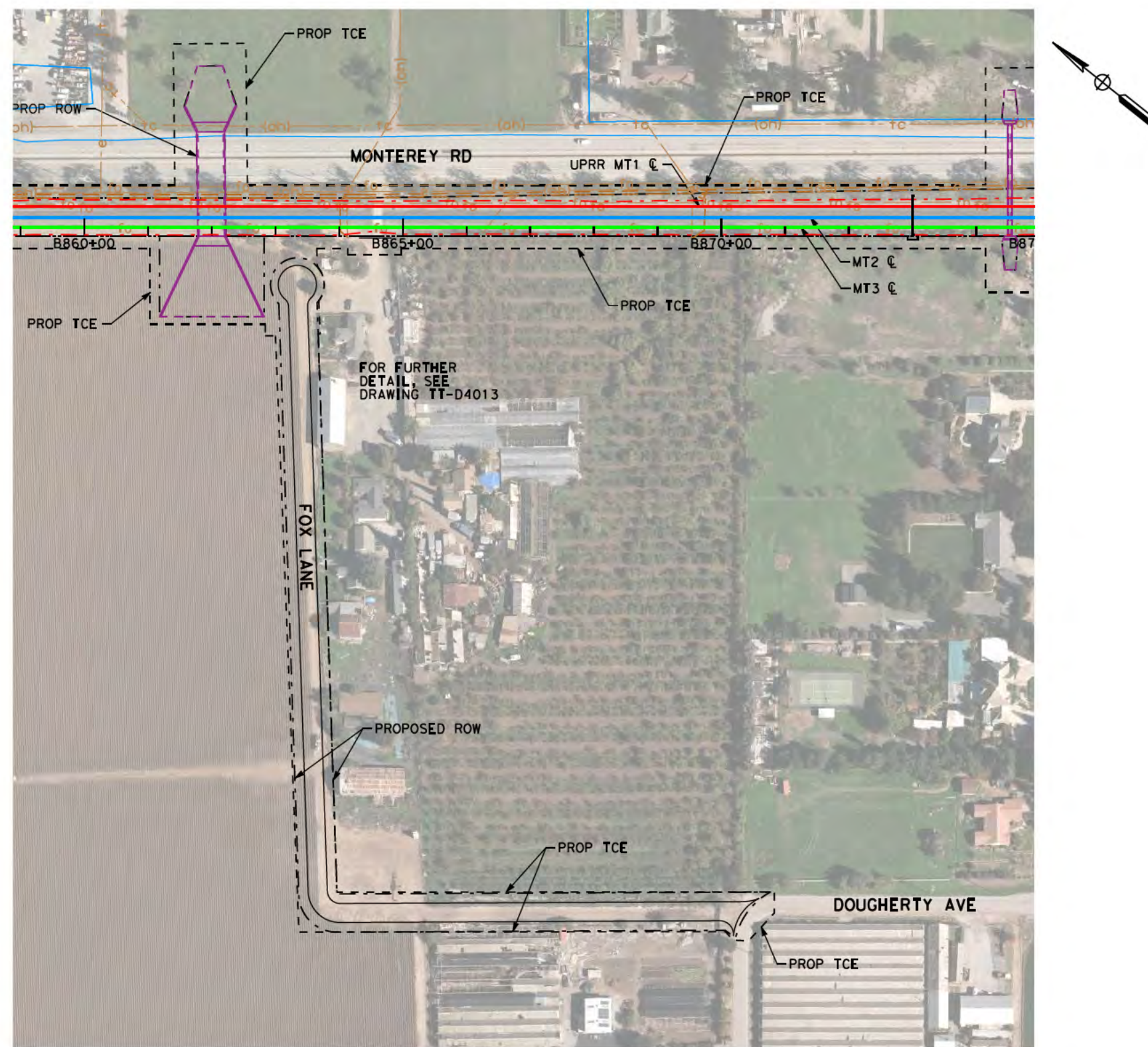
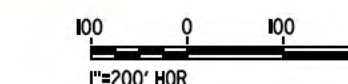
2021 RECORD SET P&P NOVEMBER 30, 2021 NOT FOR CONSTRUCTION	HNTB 1111 Broadway 9th Floor Oakland, CA 94607	CALIFORNIA High-Speed Rail Authority	CALIFORNIA HIGH-SPEED TRAIN PROJECT SAN JOSE TO MERCED SAN JOAQUIN VALLEY HENRY MILLER ROAD COMPLEX STRUCTURES GENERAL PLAN	CONTRACT NO. HSR15-34 DRAWING NO. ST-V1601 SCALE AS SHOWN SHEET NO.
--	--	--	--	---



PLAN - EMADO AVE
SCALE: 1"=200'



PLAN - RICHMOND AVE
SCALE: 1"=200'



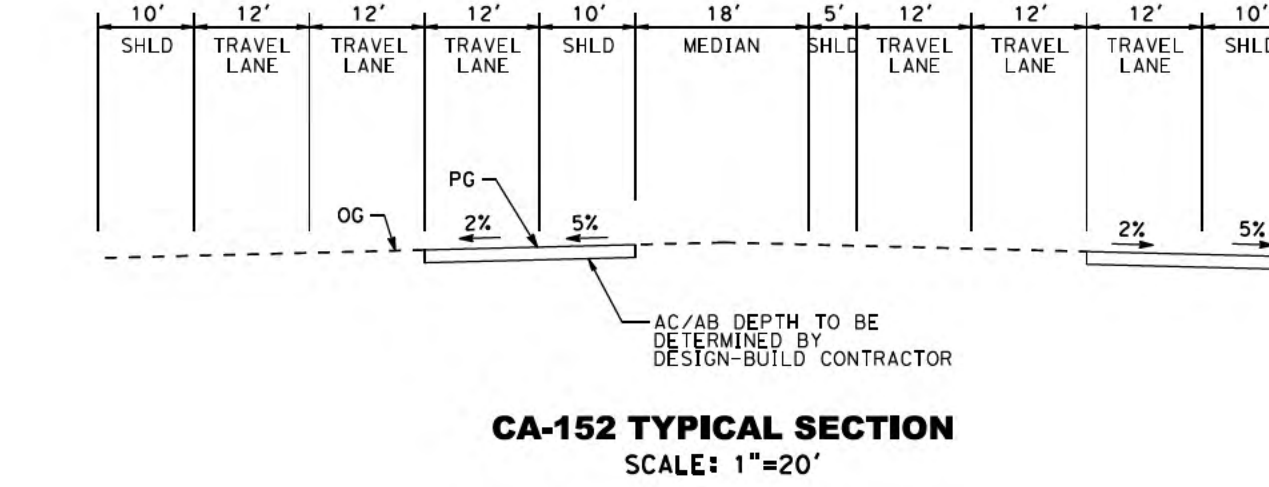
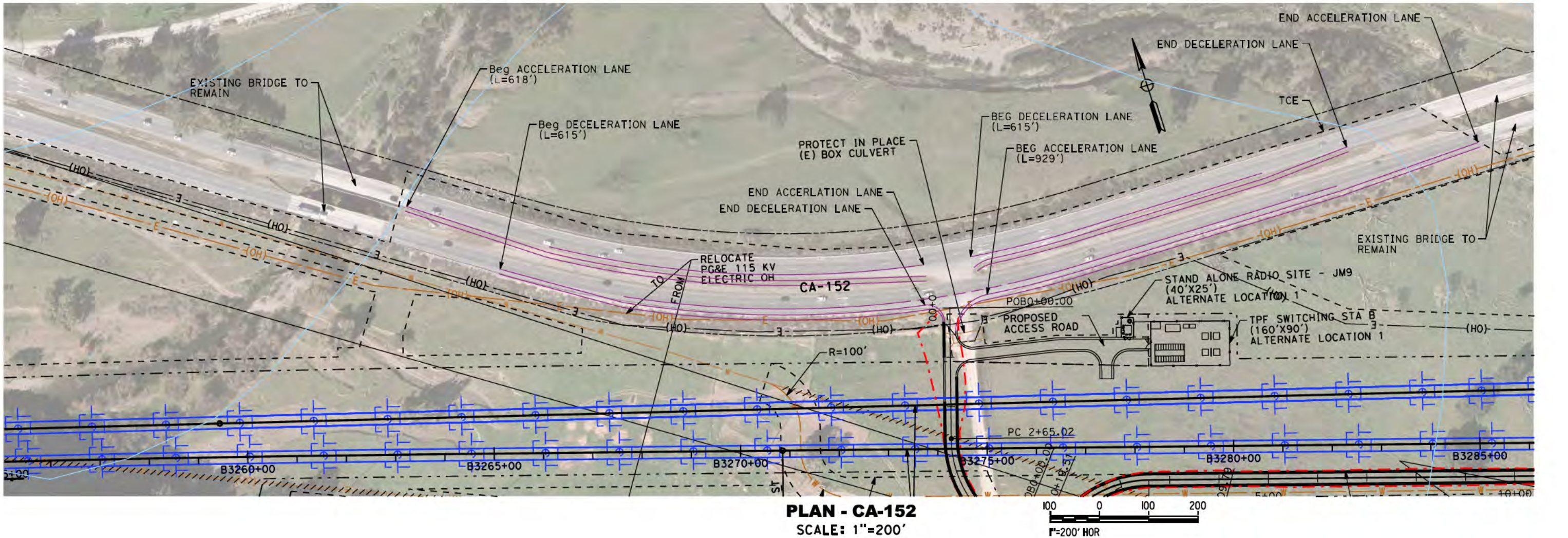
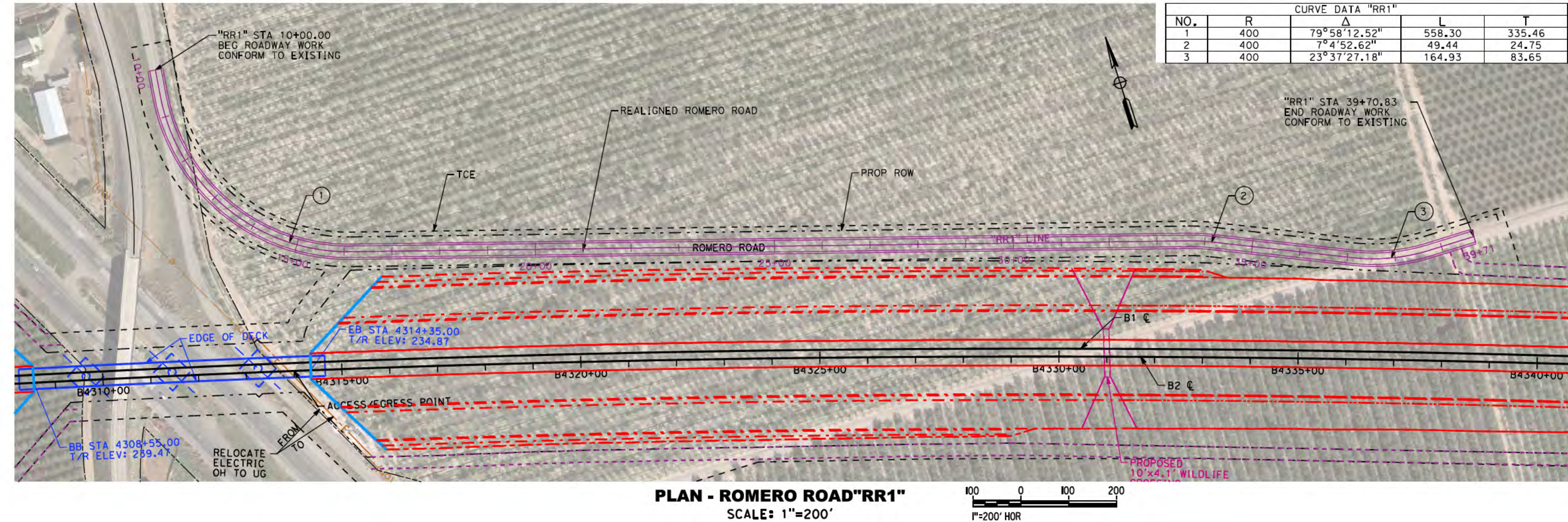
PLAN - FOX LANE
SCALE: 1"=200'



NOTES
1. REFER TO GENERAL NOTES SHEETS GE-B0001 AND GE-B0002 FOR NOTES.

SAN JOSE TO CVY EIR/S: VOLUME III
ALTERNATIVE 4
BOOK 4D
SHEET 98 OF 176

2021 RECORD SET PBD NOVEMBER 30, 2021 NOT FOR CONSTRUCTION	HNTB 1111 Broadway 9th Floor Oakland, CA 94607		CALIFORNIA HIGH-SPEED TRAIN PROJECT SAN JOSE TO MERCED CP COAST TO GILROY BLENDED AT-GRADE ALTERNATIVE CIVIL DETAILS	CONTRACT NO. HSR15-34 DRAWING NO. CV-S4001 SCALE AS SHOWN SHEET NO.
--	--	--	--	---



NOTE:
1. REFER TO GENERAL NOTES SHEETS GE-B0001 AND GE-B0002 FOR NOTES.

SAN JOSE TO CVY EIR/S: VOLUME III
ALTERNATIVE 4
BOOK 4D
SHEET 99 OF 176

2021 RECORD SET PBD NOVEMBER 30, 2021 NOT FOR CONSTRUCTION	HNTB 1111 Broadway 9th Floor Oakland, CA 94607		CALIFORNIA HIGH-SPEED TRAIN PROJECT SAN JOSE TO MERCED PACHECO PASS TUNNEL CIVIL DETAILS	CONTRACT NO. HSR15-34 DRAWING NO. CV-51401 SCALE AS SHOWN SHEET NO.
--	--	--	---	--

10/27/2021 08:51:52 AM C:\p02\1021085152\1021085152.dwg 10/27/2021 08:51:52 AM C:\p02\1021085152\1021085152.dwg

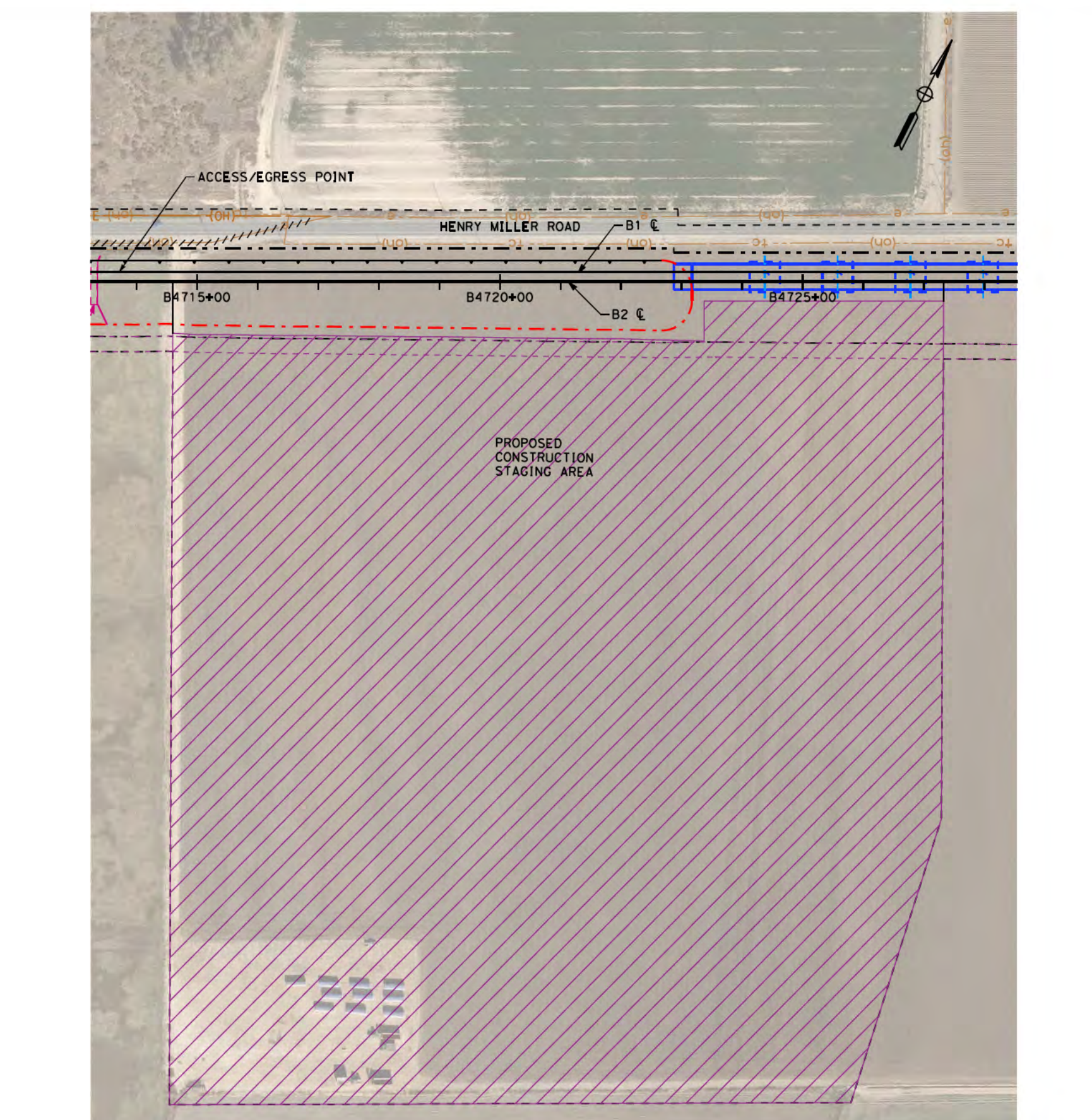
10/27/2021 09:45:02 AM C:\Users\hnl\OneDrive\Documents\2021\11663\11663.dwg hnl 11/1/21 11:11 AM 11663.dwg



PROPOSED ACCESS ROAD TO MONTEREY ROAD
SCALE: 1"=200'



PROPOSED ACCESS ROAD TO INCOMAR GRADE
SCALE: 1"=200'

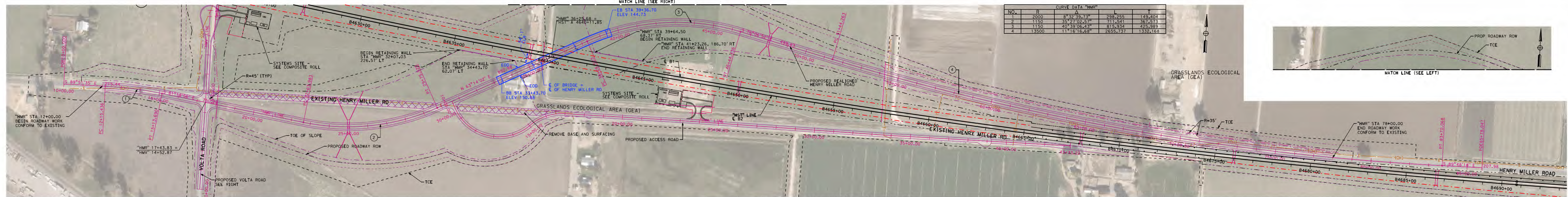


PROPOSED CONSTRUCTION STAGING AREA AT STA B4714+60 TO STA B4727+32
SCALE: 1"=200'

NOTES:
1. REFER TO GENERAL NOTES SHEETS GE-B0001 AND GE-B0002 FOR NOTES.

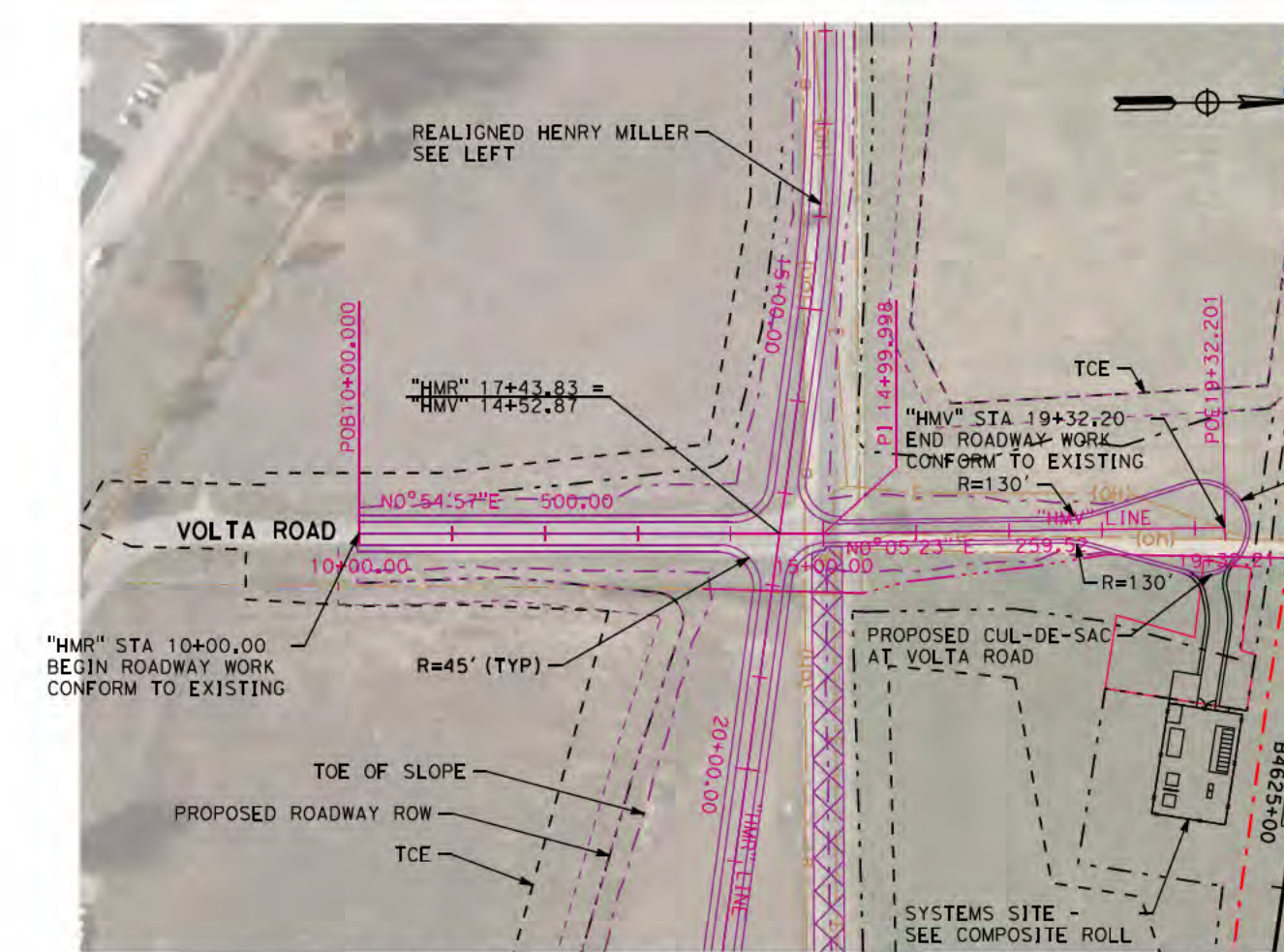
**SAN JOSE TO CVY EIR/S: VOLUME III
ALTERNATIVE 4
BOOK 4D
SHEET 100 OF 176**

2021 RECORD SET PBD NOVEMBER 30, 2021 NOT FOR CONSTRUCTION		1111 Broadway 9th Floor Oakland, CA 94607		CALIFORNIA HIGH-SPEED TRAIN PROJECT SAN JOSE TO MERCY SAN JOAQUIN VALLEY HENRY MILLER ROAD CIVIL DETAILS	CONTRACT NO.: HSR15-34 DRAWING NO.: CV-S1601 SCALE: AS SHOWN SHEET NO.:
--	--	---	--	--	--

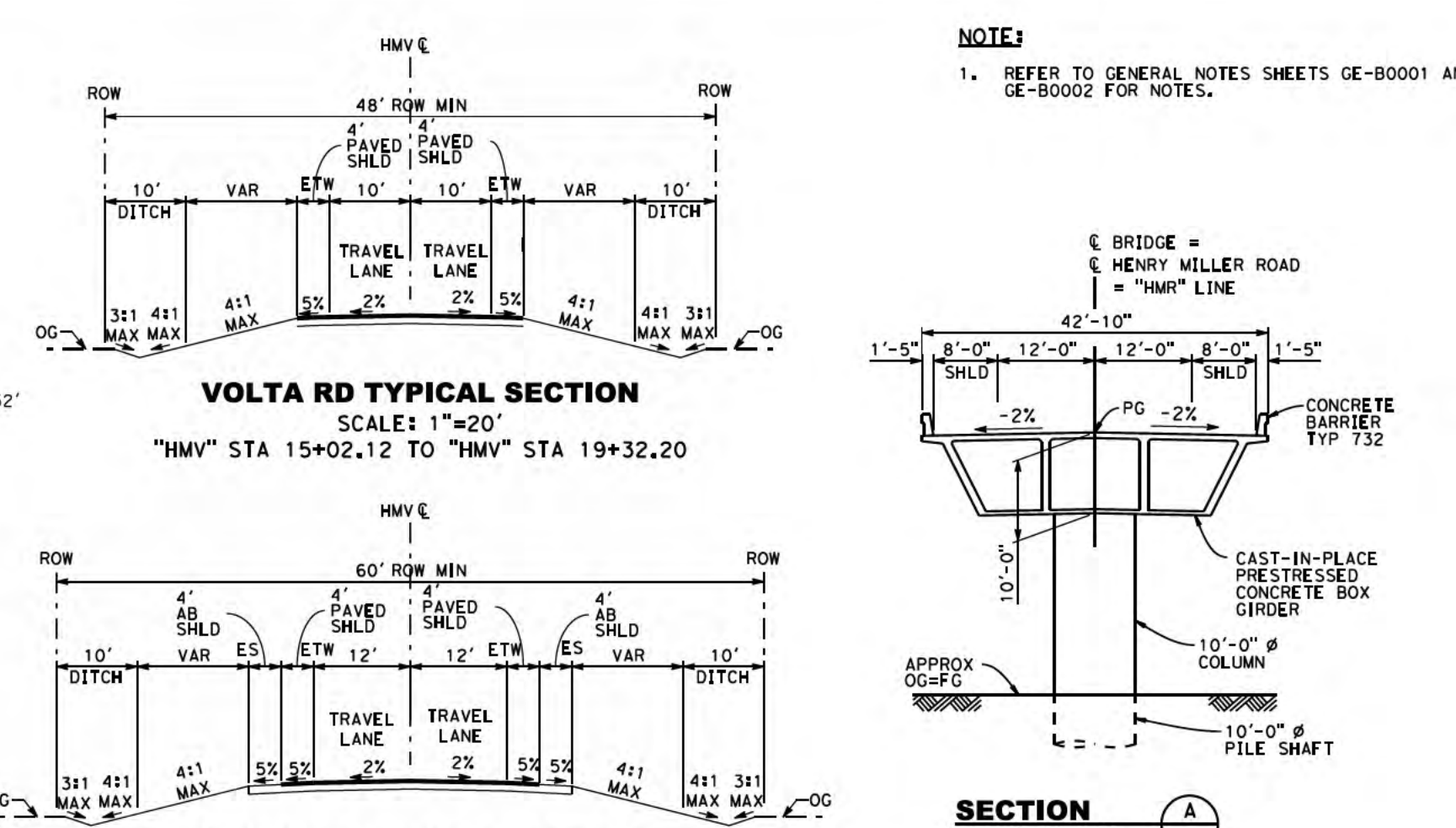


NO.	R	A	CHORD	AREA
1	2000	8° 32' 39.73"	298.255	149.404
2	1150	35° 27' 02.57"	711.541	367.573
3	1150	40° 39' 06.43"	816.934	425.989
4	13500	11° 16' 16.68"	2655.737	1332.168

PLAN - HENRY MILLER "HMR"
SCALE: 1"=200'



PLAN - VOLTA RD TO HENRY MILLER "HMV"
SCALE: 1"=200'

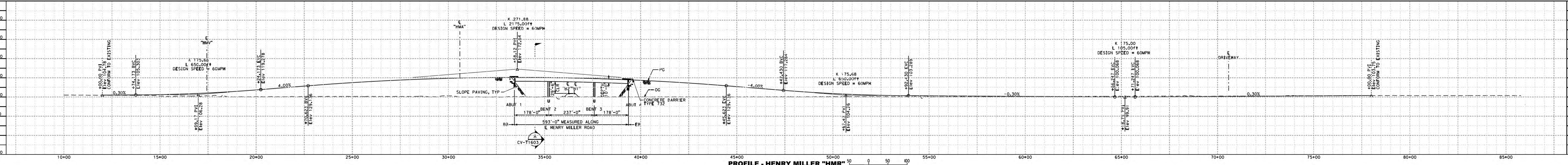


VOLTA RD TYPICAL SECTION
SCALE: 1"=20'
"HMV" STA 15+02.12 TO "HMV" STA 19+32.20

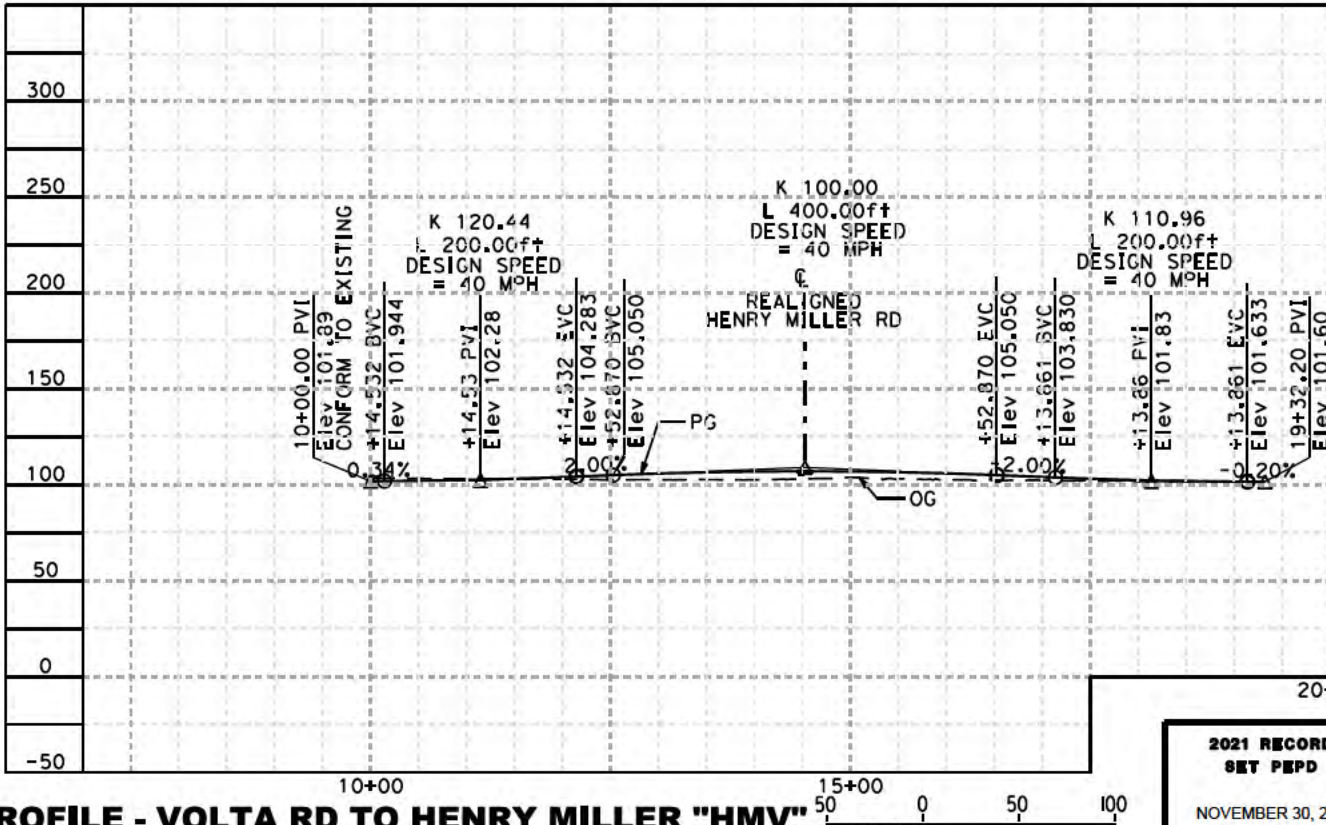
VOLTA RD TYPICAL SECTION
SCALE: 1"=20'
"HMV" STA 10+00.00 TO "HMV" STA 15+02.12

HENRY MILLER RD TYPICAL SECTION
SCALE: 1"=20'
"HMR" STA 12+00.00 TO "HMR" STA 33+20.70
"HMR" STA 39+59.60 TO "HMR" STA 78+00.00

**SAN JOSE TO CVY EIR/S: VOLUME III
ALTERNATIVE 4
BOOK 4D
SHEET 101 OF 176**



PROFILE - HENRY MILLER "HMR"
SCALE: 1"=200' HOR, 1"=100' VERT



PROFILE - VOLTA RD TO HENRY MILLER "HMV"
SCALE: 1"=200' HOR, 1"=100' VERT

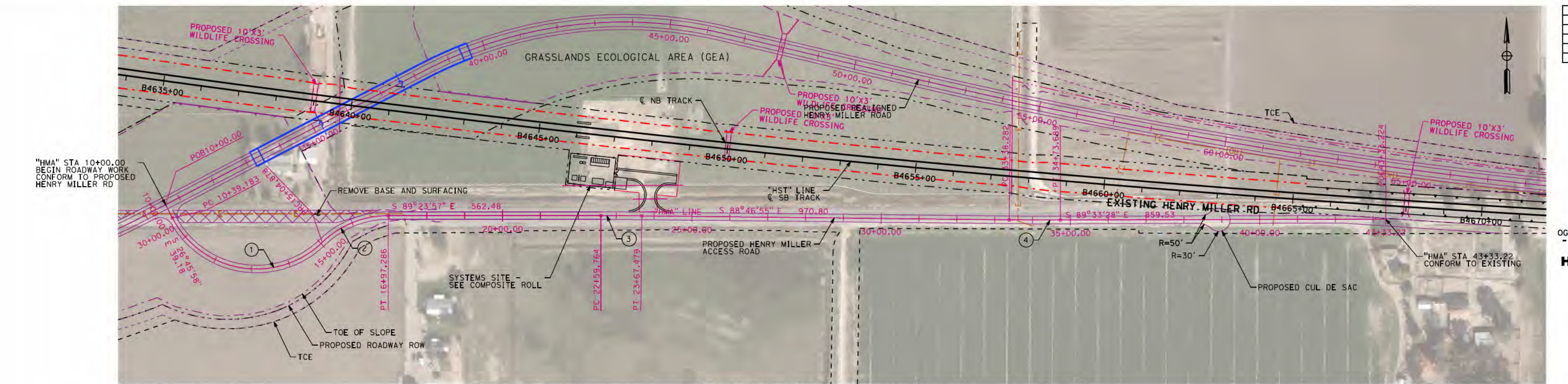
2021 RECORD SET PER
NOVEMBER 30, 2021
NOT FOR CONSTRUCTION

HNTB
1111 Broadway
9th Floor
Oakland, CA 94607

CALIFORNIA High-Speed Rail Authority

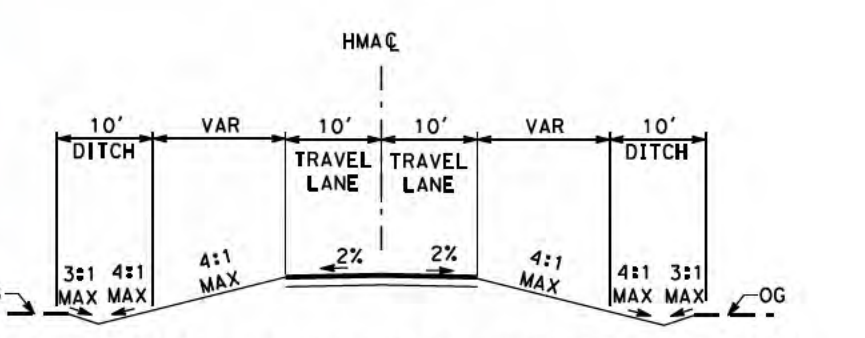
CALIFORNIA HIGH-SPEED TRAIN PROJECT
SAN JOSE TO MERCED
SAN JOAQUIN VALLEY
HENRY MILLER ROAD
GRADE SEPARATION LAYOUT, PROFILE, & CROSS SECTIONS
HENRY MILLER ROAD

CONTRACT NO. HSR15-34
DRAWING NO. CV-T1603
SCALE AS SHOWN
SHEET NO.

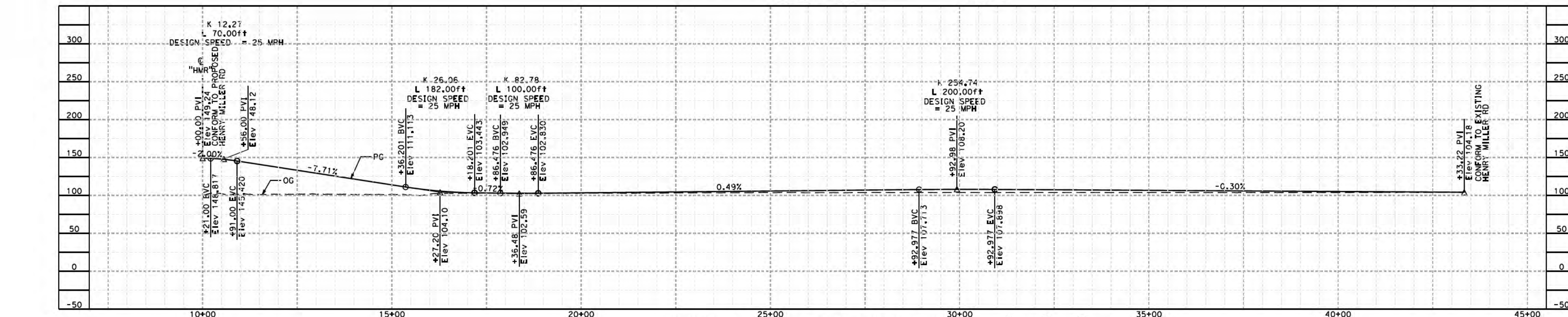


PLAN - HENRY MILLER ACCESS "HMA"
SCALE: 1"=200'

CURVE DATA "HMA"				
NO.	R	Δ	T	Y
1	250	106°43'46.43"	465.696	336.193
2	250	44°05'47.68"	192.408	101.252
3	10000	0°37'01.77"	107.714	53.858
4	10000	0°46'32.98"	135.408	67.705



HENRY MILLER ACCESS RD TYPICAL SECTION
SCALE: 1"=20'
"HMA" STA 10+00.00 TO "HMA" STA 43+33.22



PROFILE - HENRY MILLER ACCESS "HMA"
SCALE: 1"=200' HOR, 1"=50' VERT

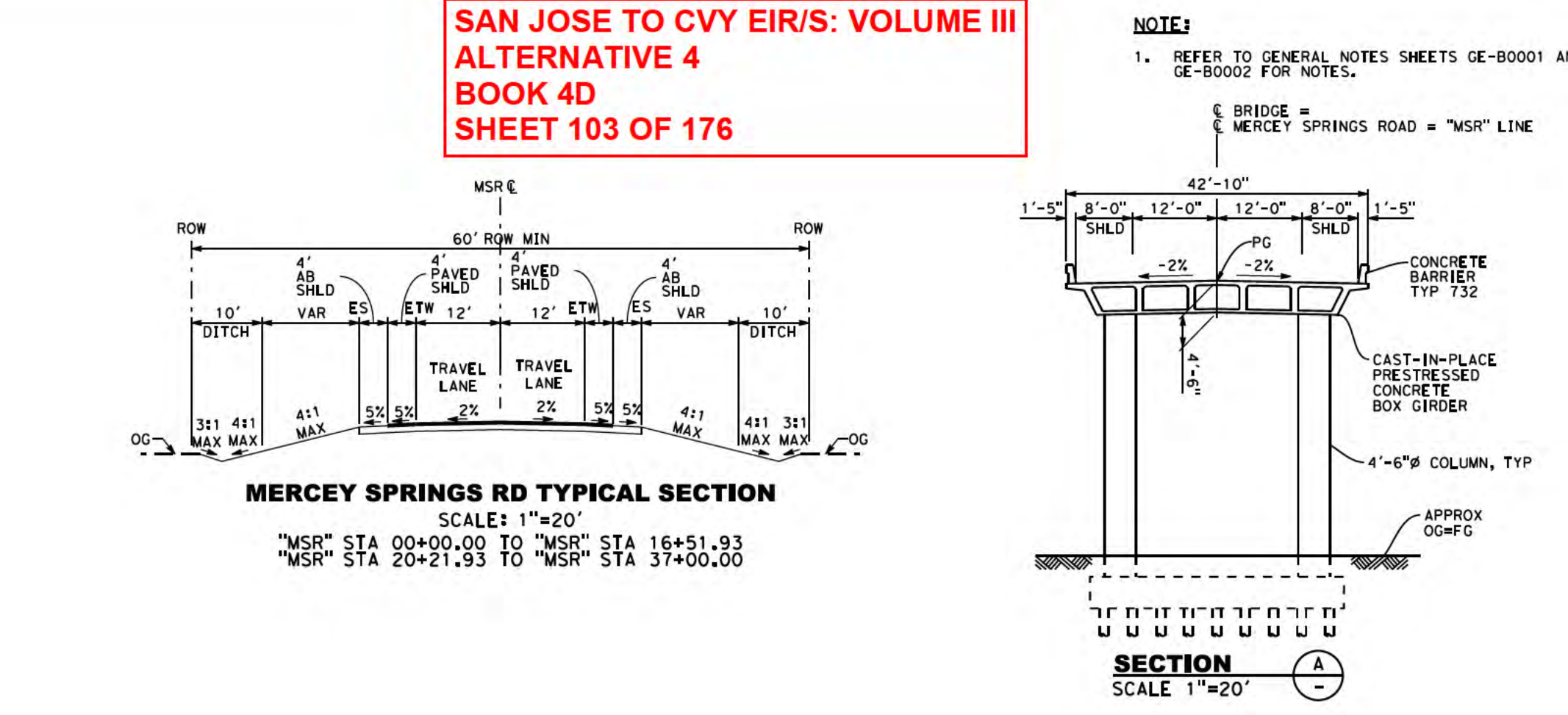
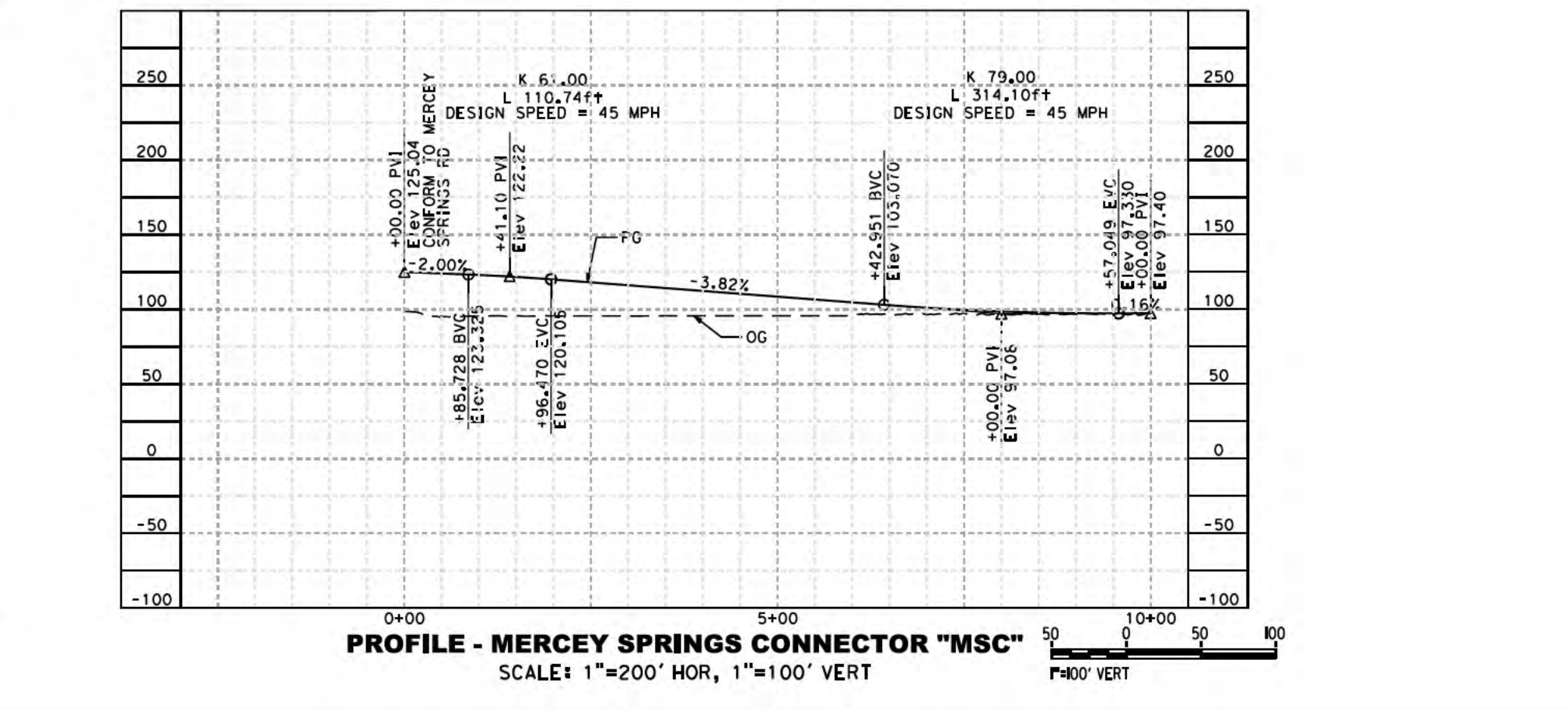
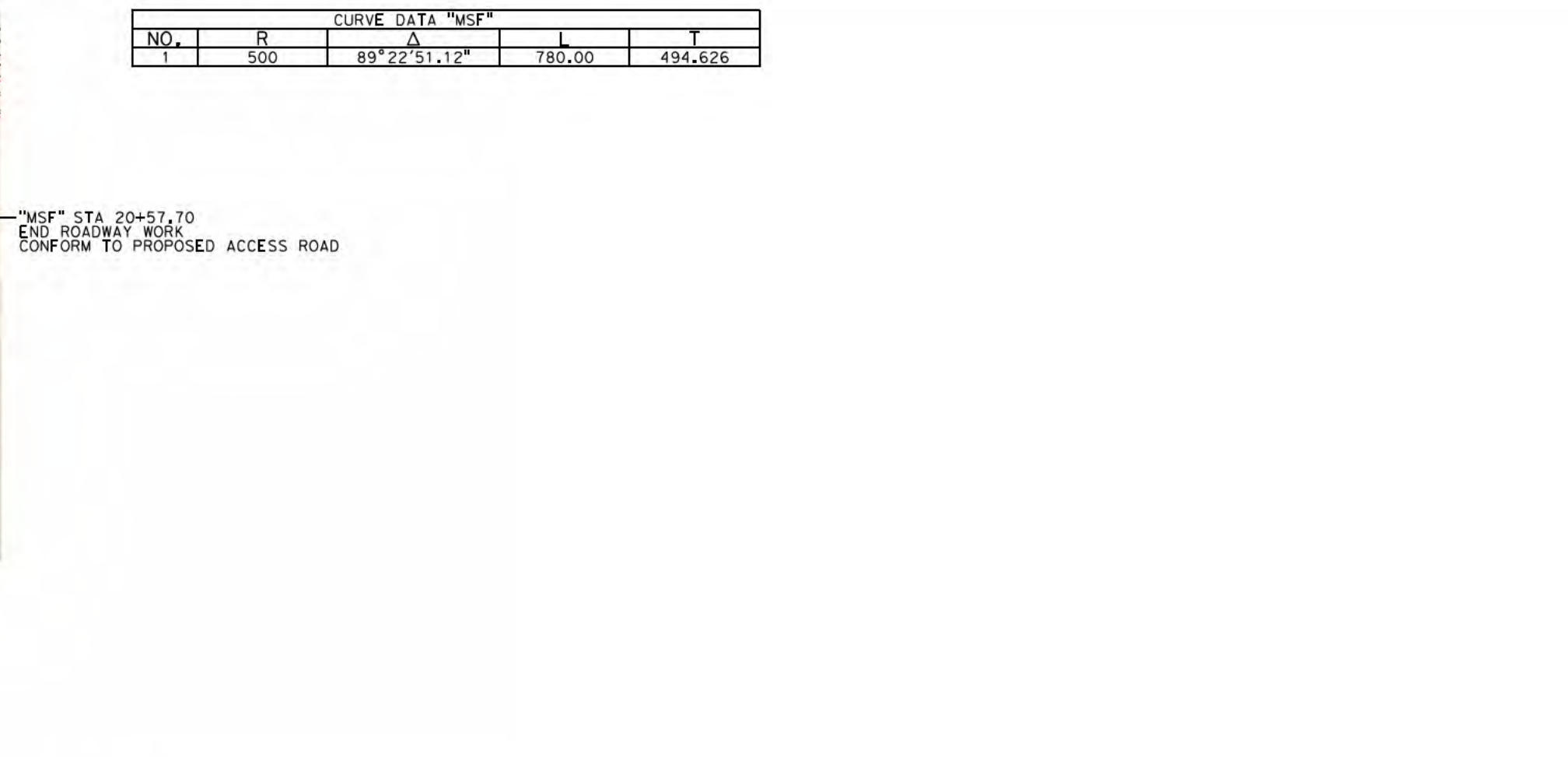
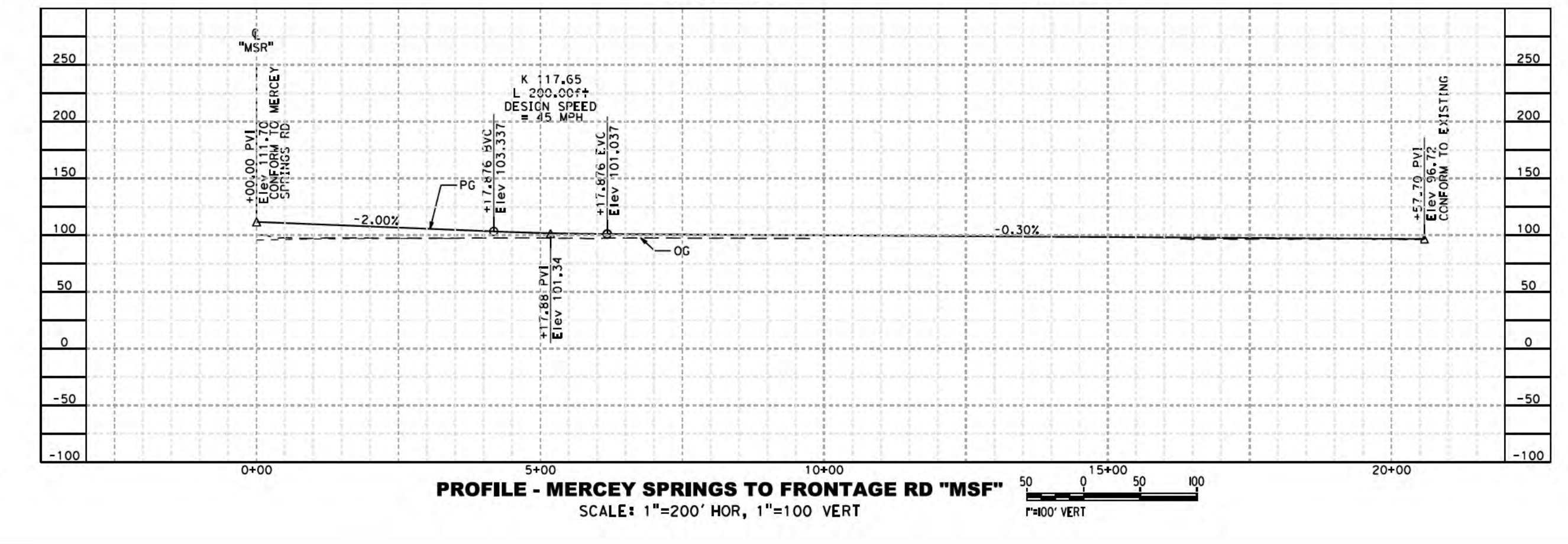
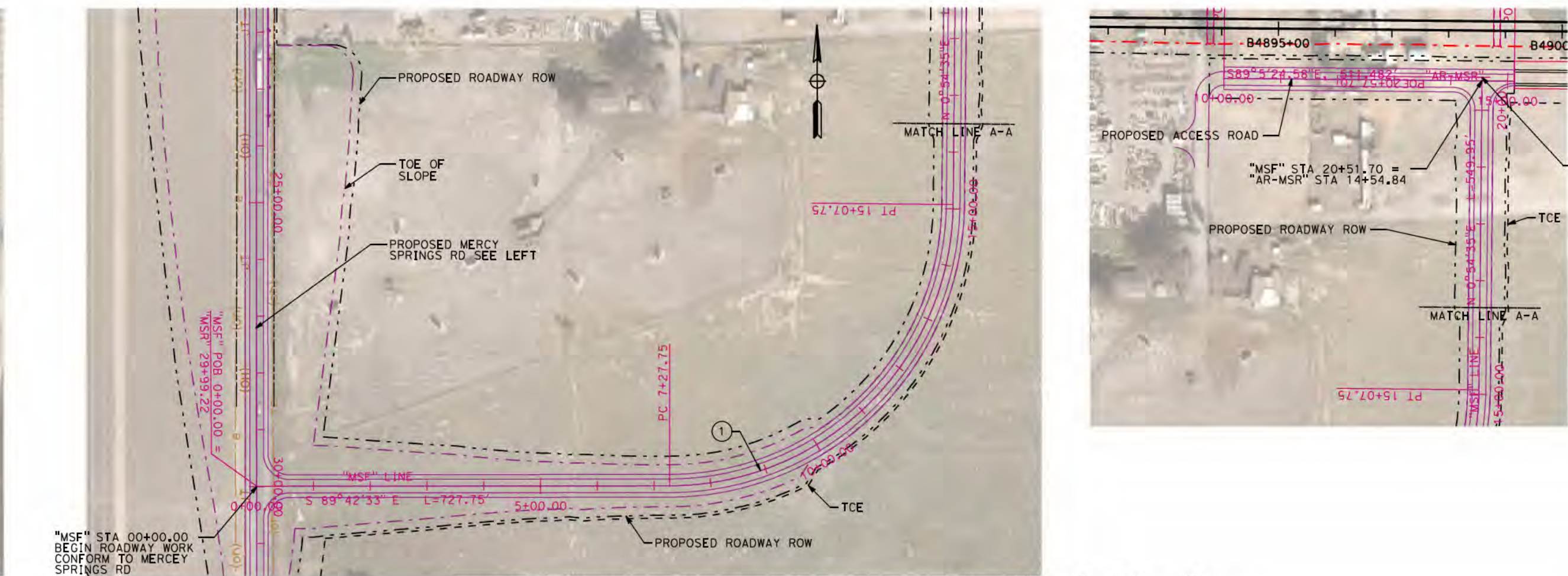
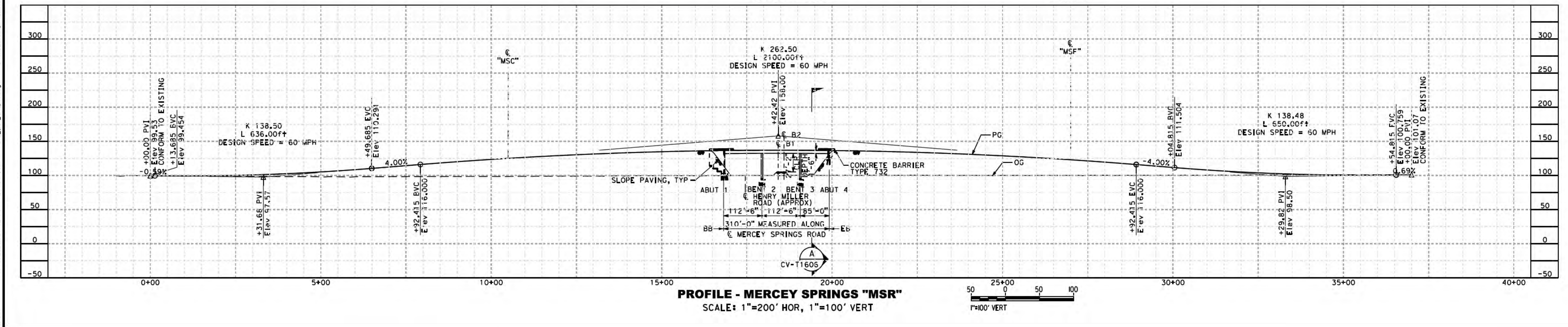
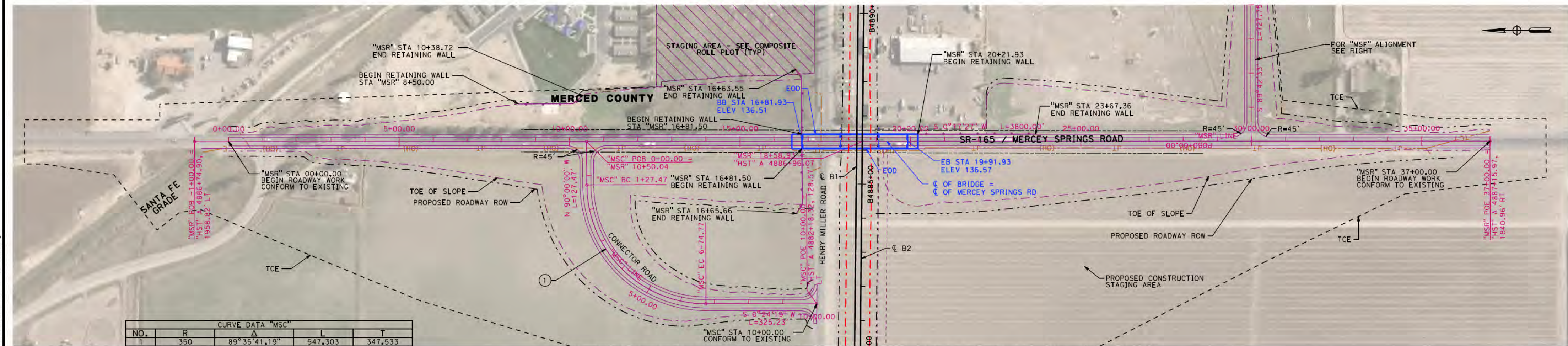
NOTE:
1. REFER TO GENERAL NOTES SHEETS GE-B0001 AND GE-B0002 FOR NOTES.

**SAN JOSE TO CVY EIR/S: VOLUME III
ALTERNATIVE 4
BOOK 4D
SHEET 102 OF 176**

2021 RECORD SET PBD NOVEMBER 30, 2021 NOT FOR CONSTRUCTION	HNTB 1111 Broadway 9th Floor Oakland, CA 94607		CALIFORNIA HIGH-SPEED TRAIN PROJECT SAN JOSE TO MERCED SAN JOAQUIN VALLEY HENRY MILLER ROAD GRADE SEPARATION LAYOUT, PROFILE, & CROSS SECTIONS HENRY MILLER ACCESS	CONTRACT NO. HSR15-34 DRAWING NO. CV-T1604 SCALE AS SHOWN SHEET NO.
--	--	--	---	--

I:\coron\1215217\1215217.dwg 12/22/2021 12:52:17 PM c:\cadd\pnt_chwp11.rtg c:\cadd\pnt_chwp11.rtg c:\cadd\pnt_chwp11.rtg

11/17/2025 09:14:42 PM C:\Users\jw\OneDrive\Documents\11606\11606.dwg - CV-T1606.dwg
 11/17/2025 09:14:42 PM C:\Users\jw\OneDrive\Documents\11606\11606.dwg - CV-T1606.dwg
 11/17/2025 09:14:42 PM C:\Users\jw\OneDrive\Documents\11606\11606.dwg - CV-T1606.dwg



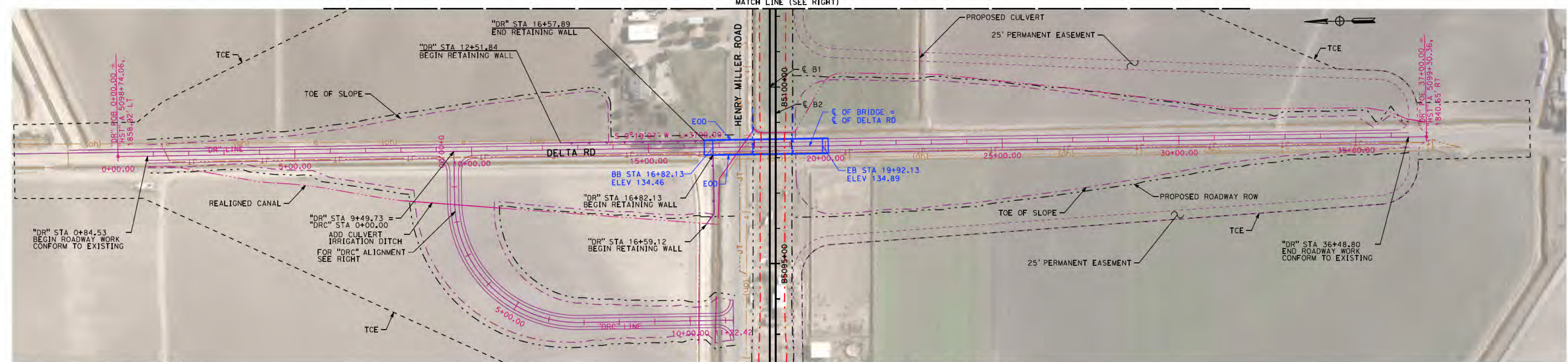
2021 RECORD SET PBD
 NOVEMBER 30, 2021
 NOT FOR CONSTRUCTION

HNTB
 1111 Broadway
 9th Floor
 Oakland, CA 94607

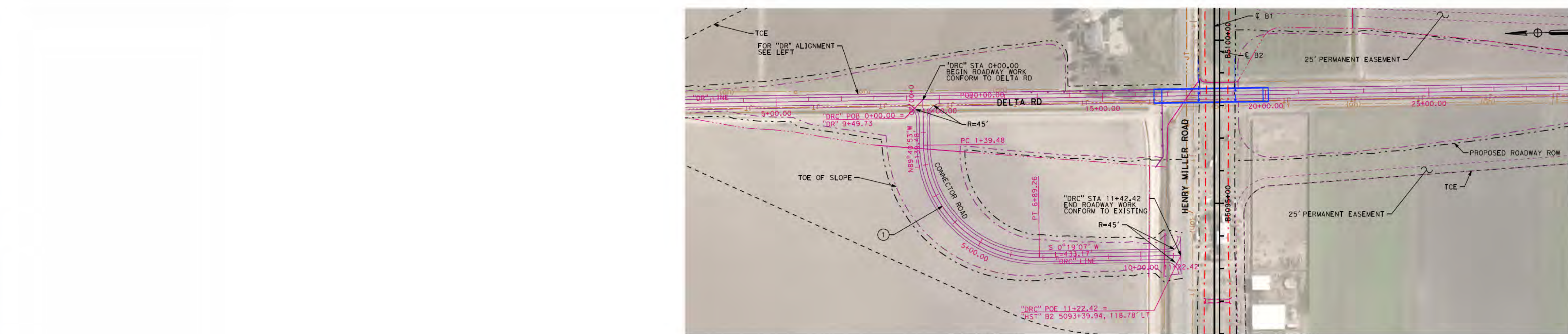
CALIFORNIA
 High-Speed Rail Authority

CALIFORNIA HIGH-SPEED TRAIN PROJECT
 SAN JOSE TO MERCY
 SAN JOAQUIN VALLEY
 HENRY MILLER ROAD
 GRADE SEPARATION LAYOUT, PROFILE, & CROSS SECTIONS
 MERCY SPRINGS ROAD

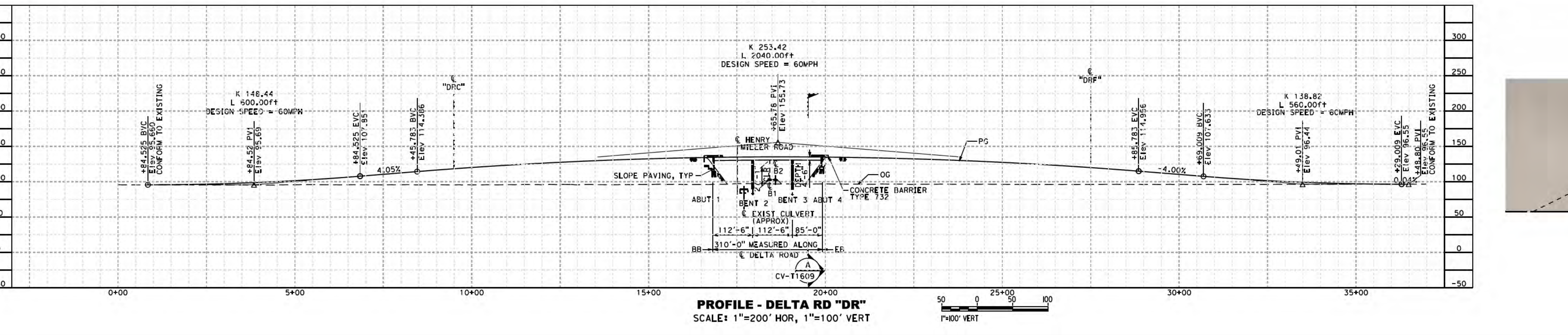
CONTRACT NO. HSR15-34
 DRAWING NO. CV-T1606
 SCALE AS SHOWN
 SHEET NO.



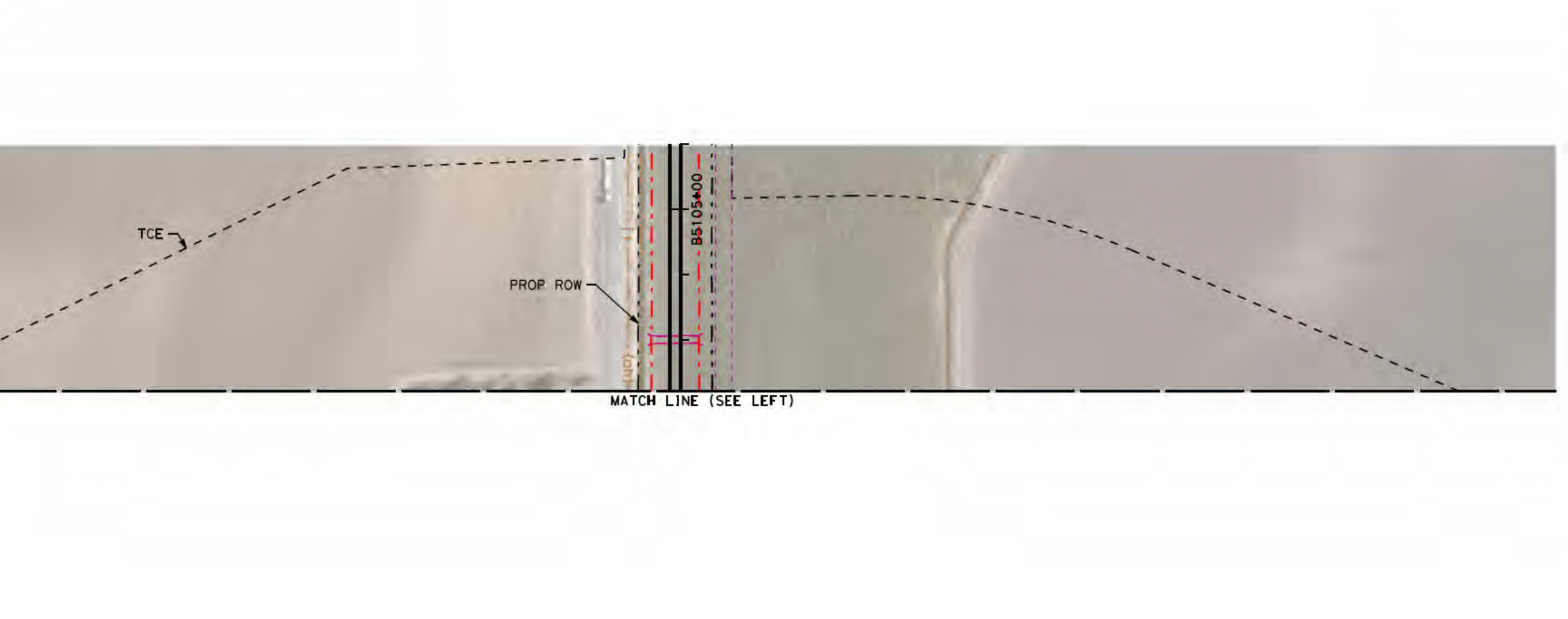
PLAN - DELTA RD "DR"
SCALE: 1"=200'
P=200' HOR



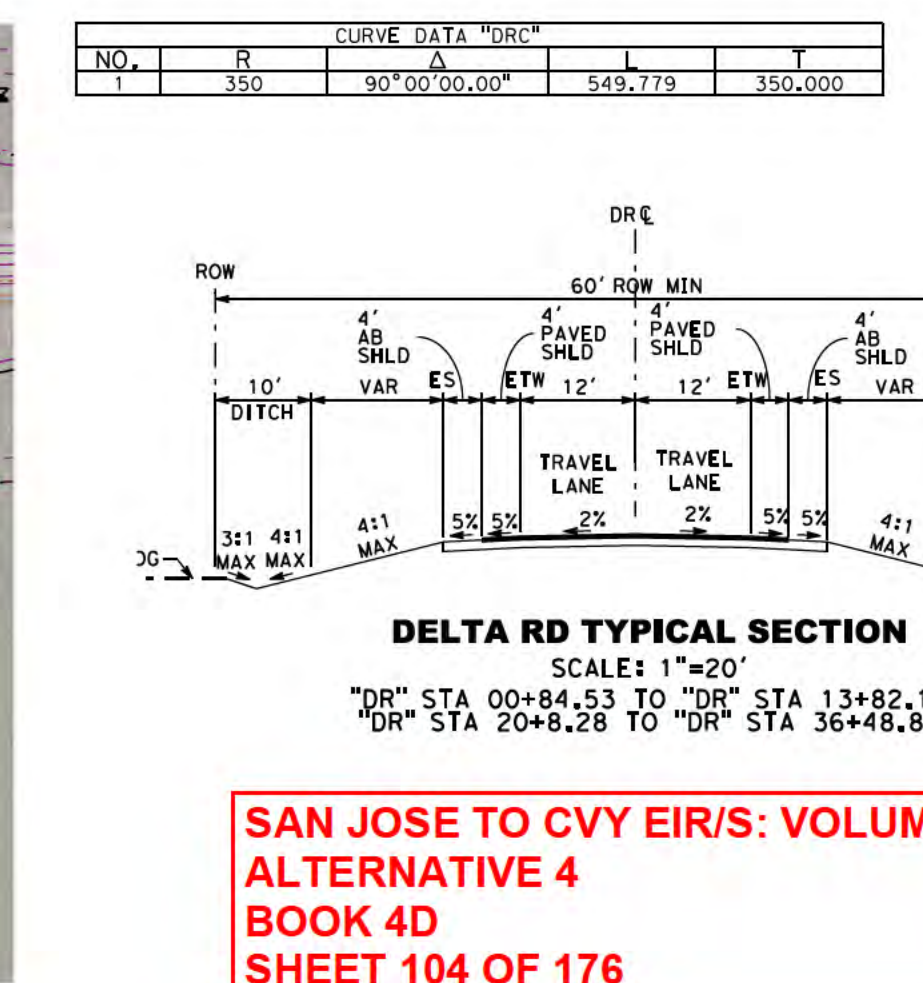
PLAN - DELTA RD CONNECTOR "DRC"
SCALE: 1"=200'
P=200' HOR



PROFILE - DELTA RD "DR"
SCALE: 1"=200' HOR, 1"=100' VERT
P=100' VERT

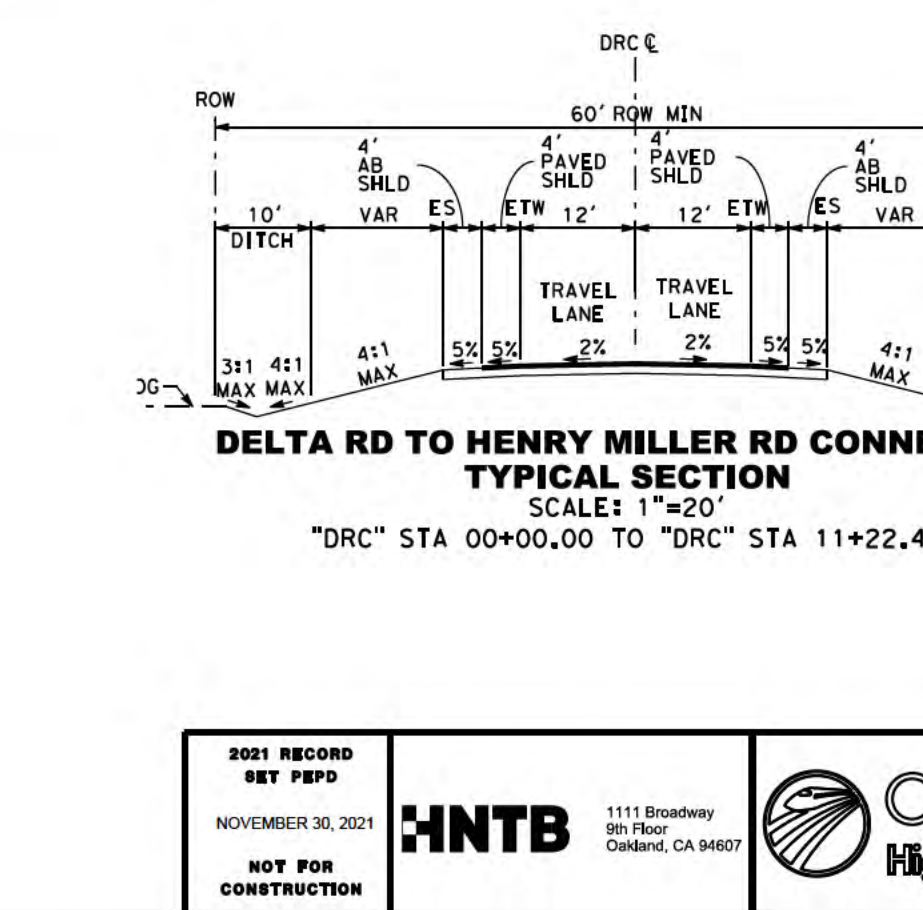


PROFILE - DELTA RD CONNECTOR "DRC"
SCALE: 1"=200' HOR, 1"=100' VERT
P=100' VERT

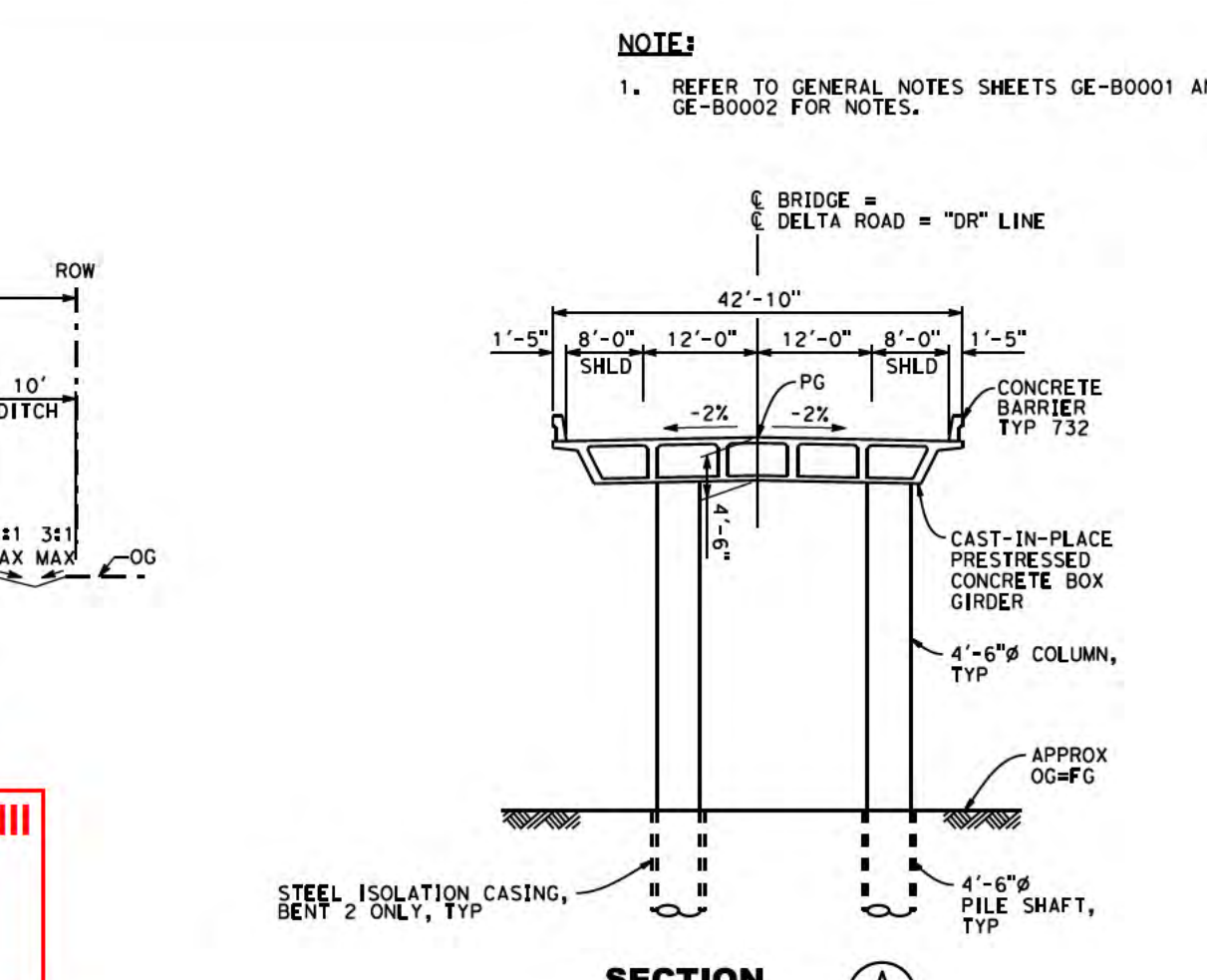


DELTA RD TYPICAL SECTION
SCALE: 1"=20'
"DR" STA 00+84.53 TO "DR" STA 13+82.15
"DR" STA 20+8.28 TO "DR" STA 36+48.80

SAN JOSE TO CVY EIR/S: VOLUME III
ALTERNATIVE 4
BOOK 4D
SHEET 104 OF 176

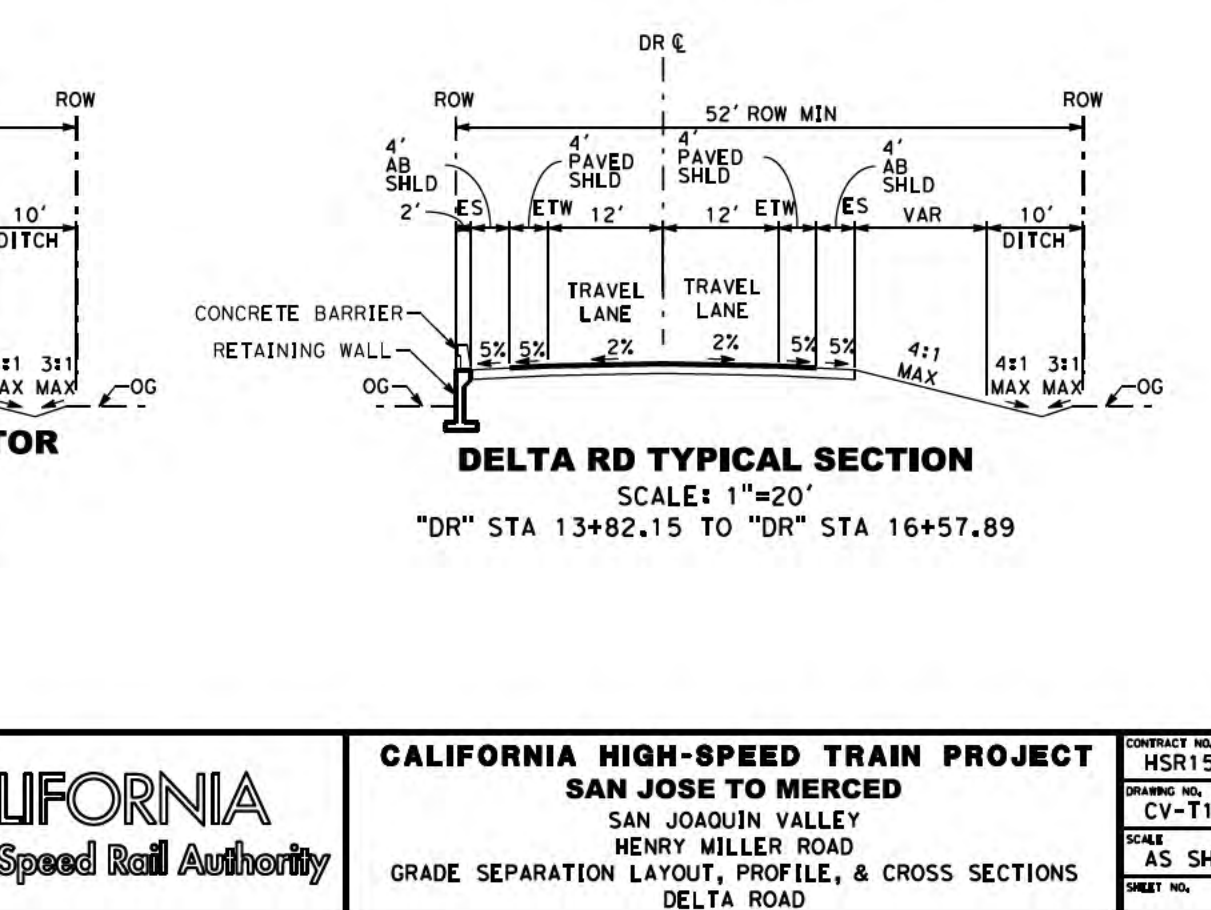


DELTA RD TO HENRY MILLER RD CONNECTOR TYPICAL SECTION
SCALE: 1"=20'
"DRC" STA 00+00.00 TO "DRC" STA 11+22.42



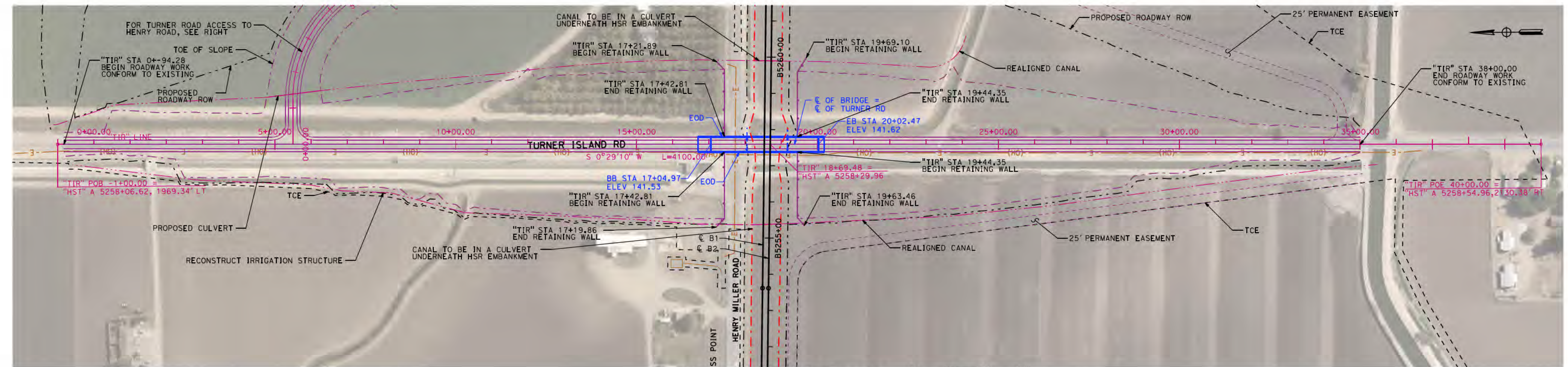
SECTION A
SCALE: 1"=20'

NOTE:
1. REFER TO GENERAL NOTES SHEETS GE-B0001 AND GE-B0002 FOR NOTES.

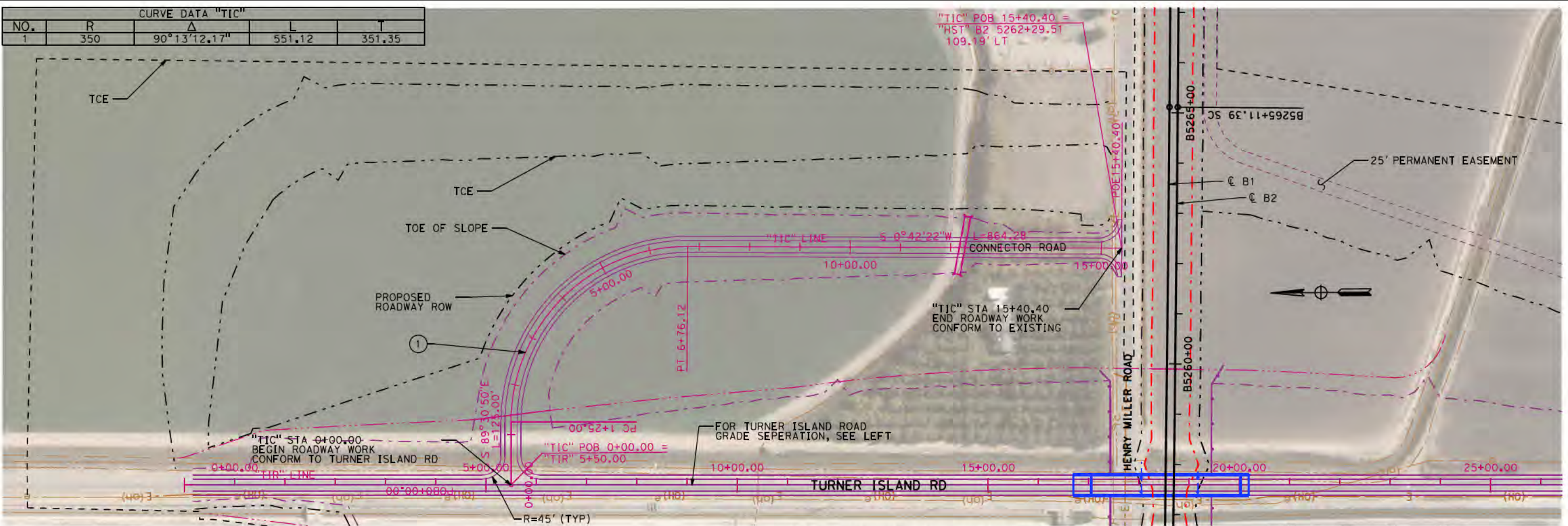


DELTA RD TYPICAL SECTION
SCALE: 1"=20'
"DR" STA 13+82.15 TO "DR" STA 16+57.89

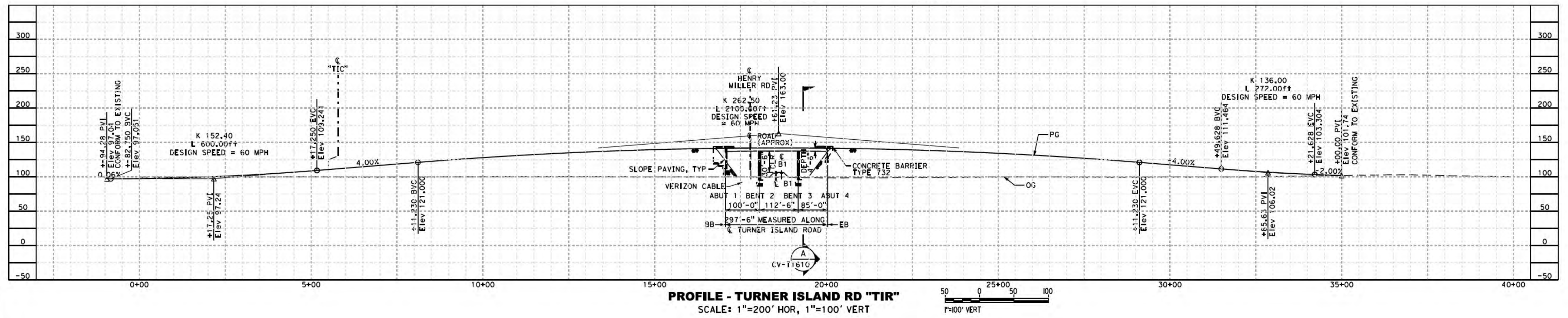
2021 RECORD SET PFD NOVEMBER 30, 2021 NOT FOR CONSTRUCTION	HNTB 1111 Broadway 9th Floor Oakland, CA 94607	CALIFORNIA High-Speed Rail Authority	CALIFORNIA HIGH-SPEED TRAIN PROJECT SAN JOSE TO MERCED SAN JOAQUIN VALLEY HENRY MILLER ROAD GRADE SEPARATION LAYOUT, PROFILE, & CROSS SECTIONS DELTA ROAD	CONTRACT NO. HSR15-34 DRAWING NO. CV-T1609 SCALE AS SHOWN SHEET NO.
--	---	--------------------------------------	--	--



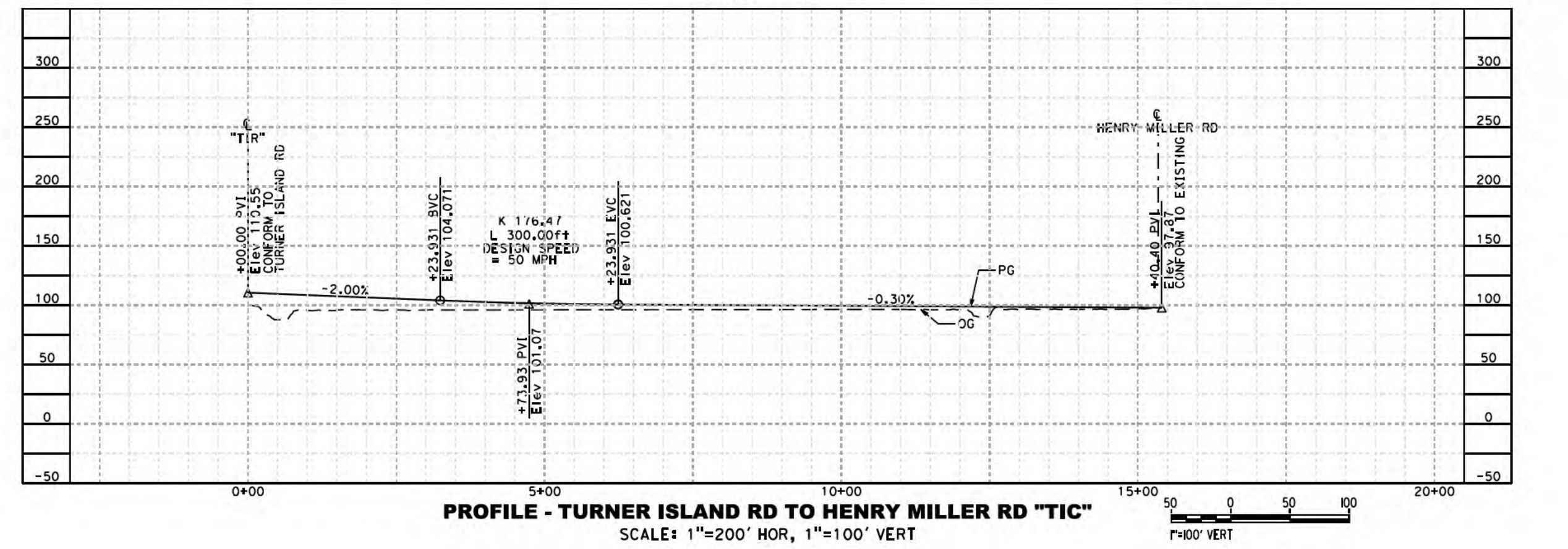
PLAN - TURNER ISLAND RD "TIR"
SCALE: 1"=200'



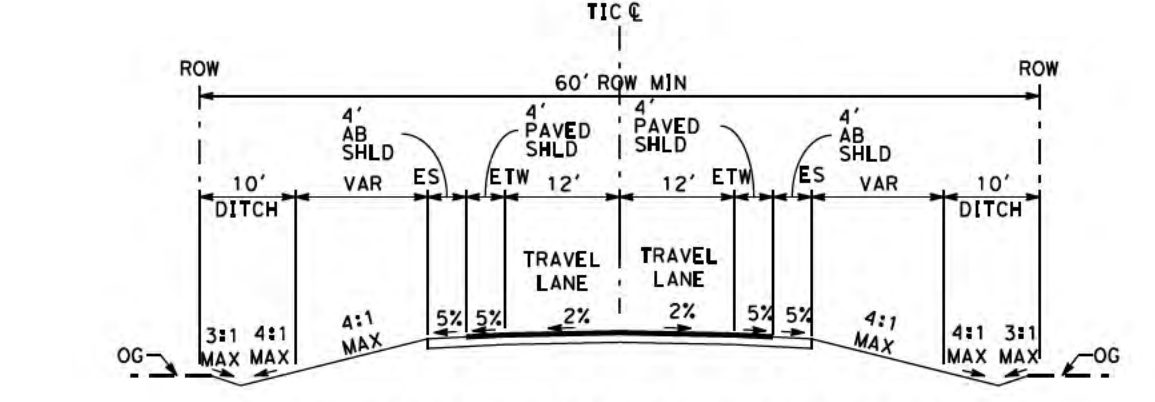
PLAN - TURNER ISLAND RD TO HENRY MILLER RD "TIC"
SCALE: 1"=200'



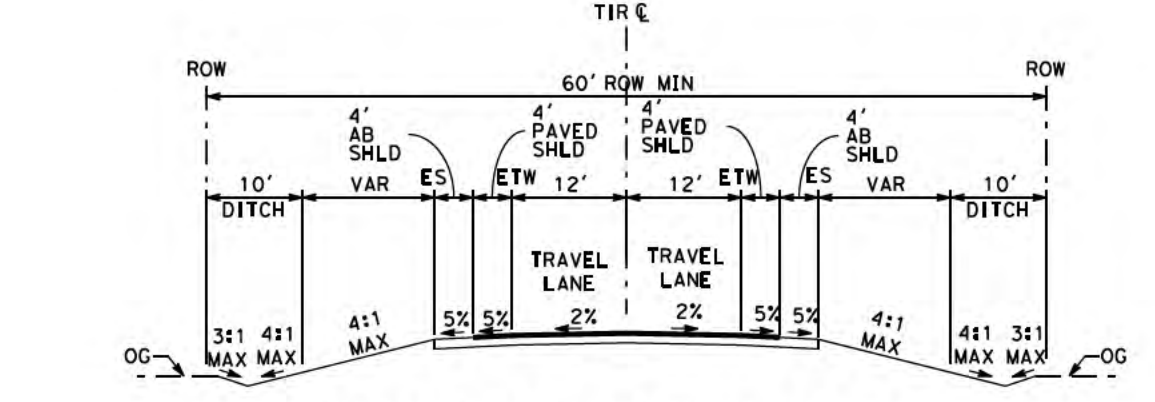
PROFILE - TURNER ISLAND RD "TIR"
SCALE: 1"=200' HOR, 1"=100' VERT



PROFILE - TURNER ISLAND RD TO HENRY MILLER RD "TIC"
SCALE: 1"=200' HOR, 1"=100' VERT

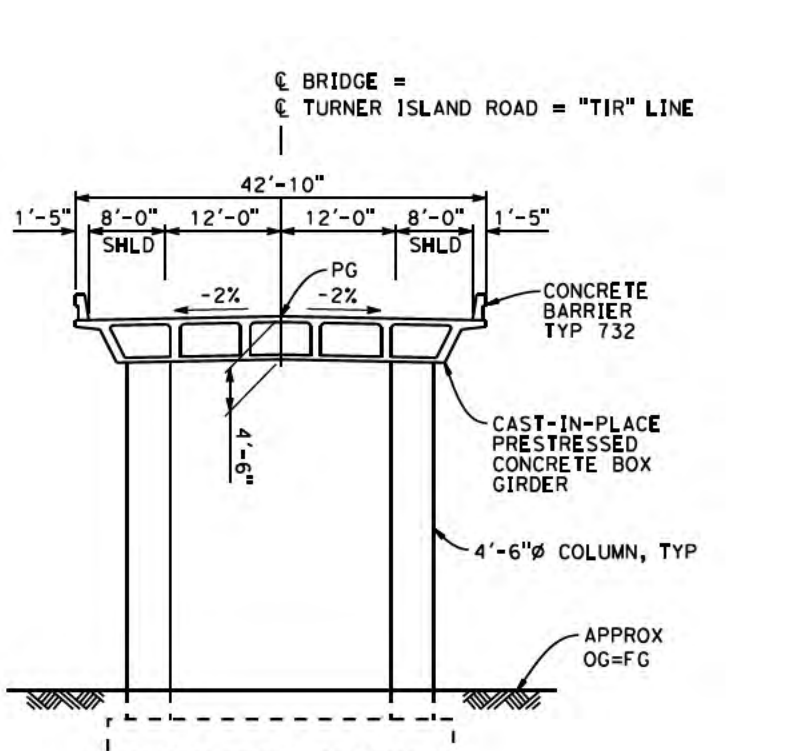


TURNER ISLAND RD TO HENRY MILLER RD
TYPICAL SECTION
SCALE: 1"=20'



TURNER ISLAND RD
TYPICAL SECTION
SCALE: 1"=20'

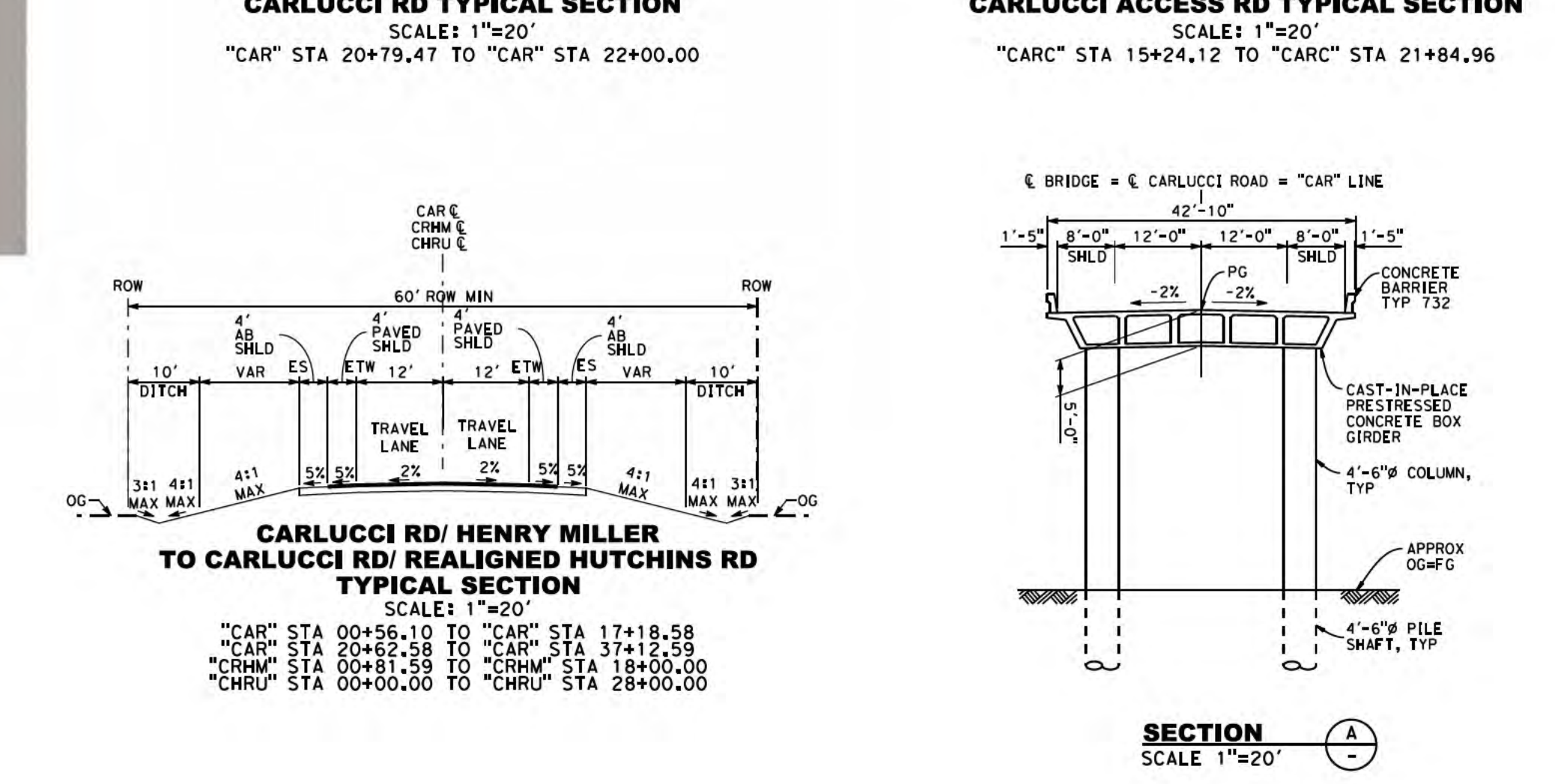
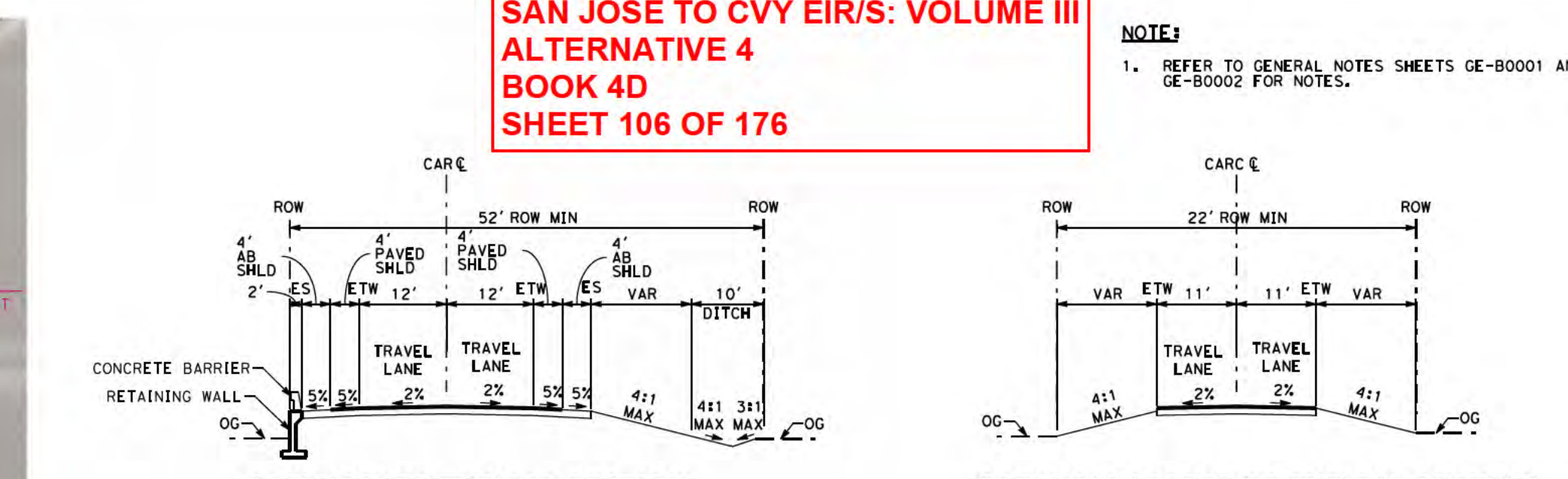
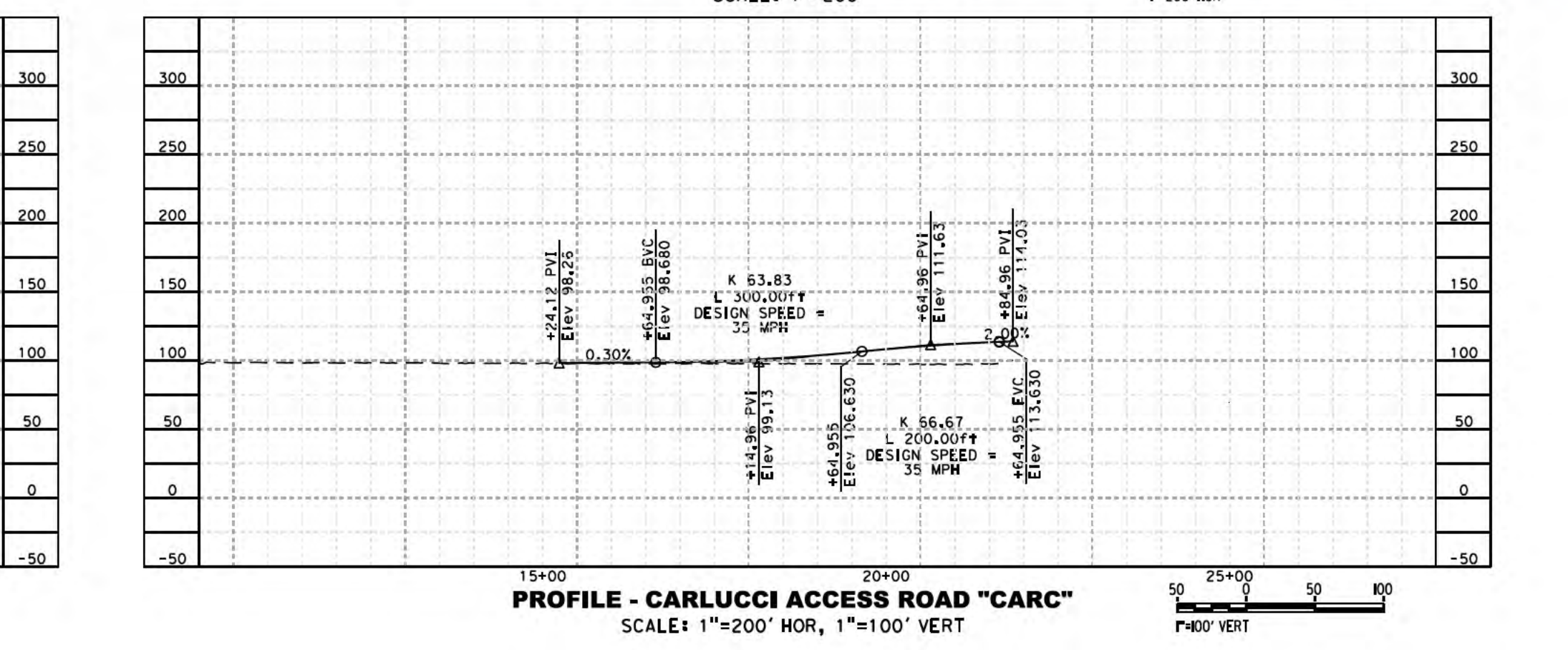
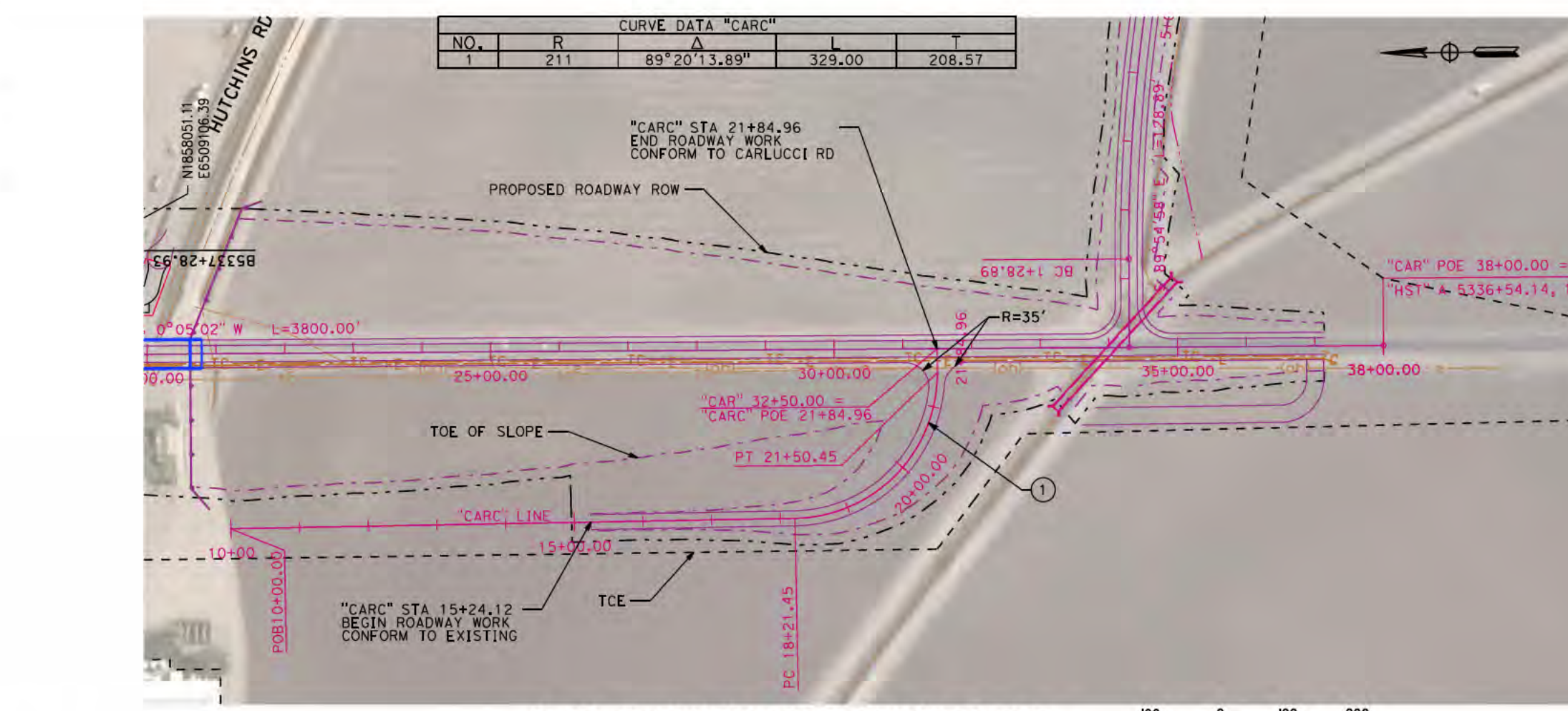
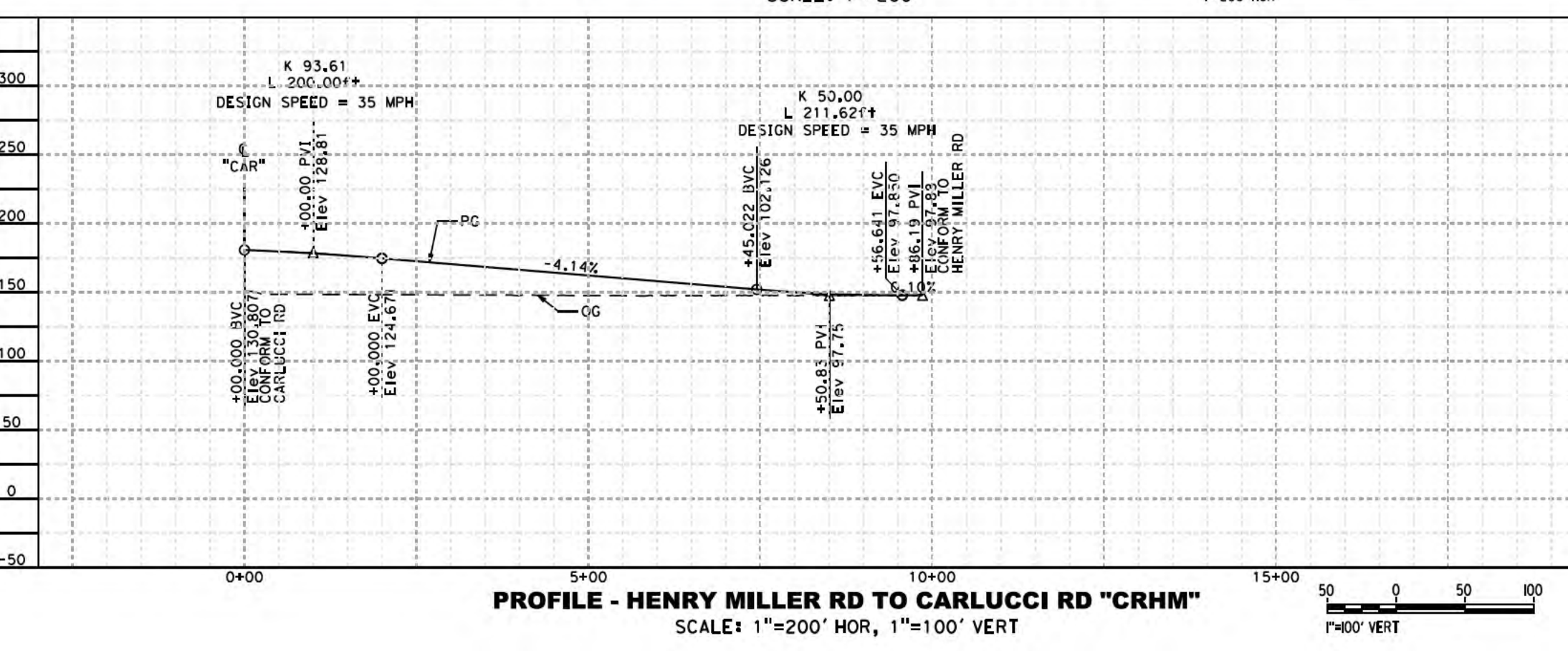
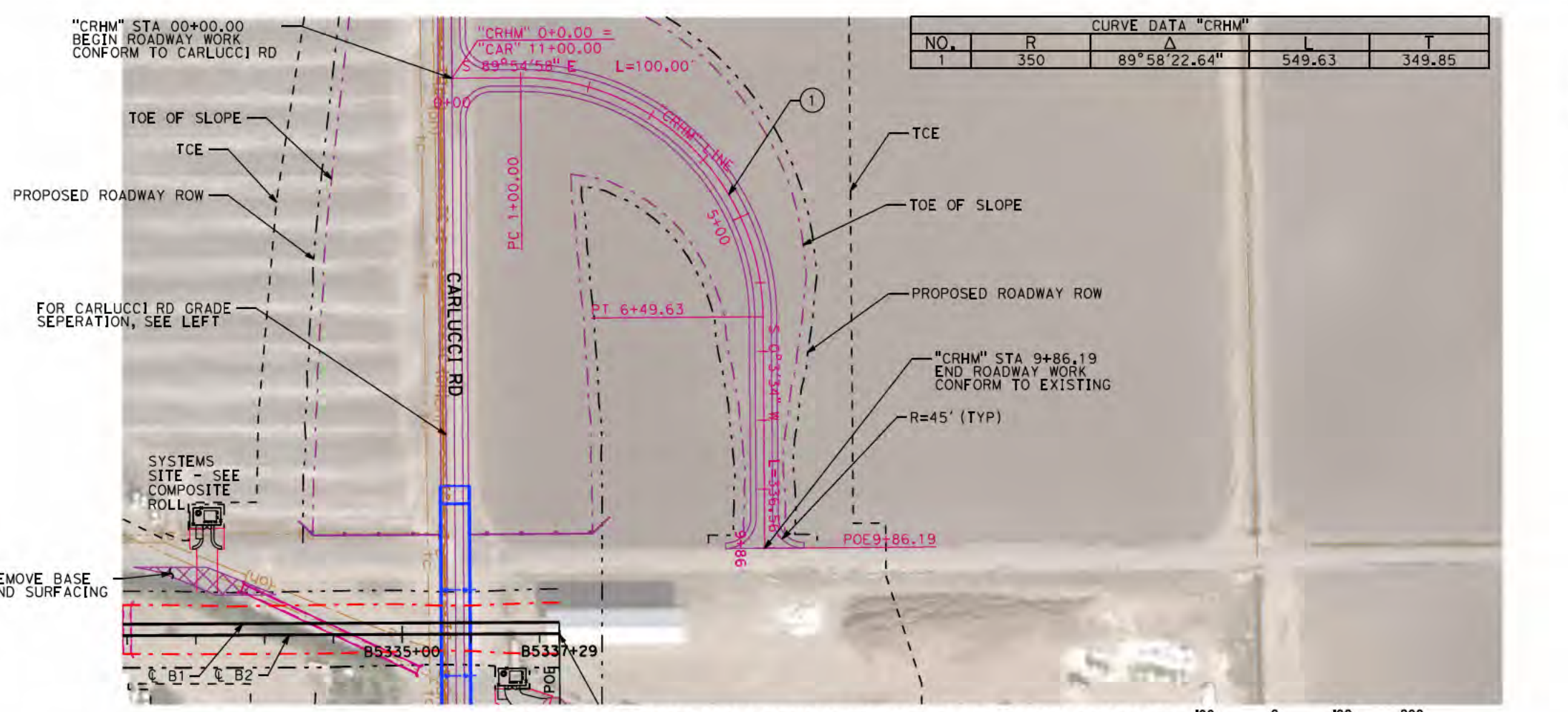
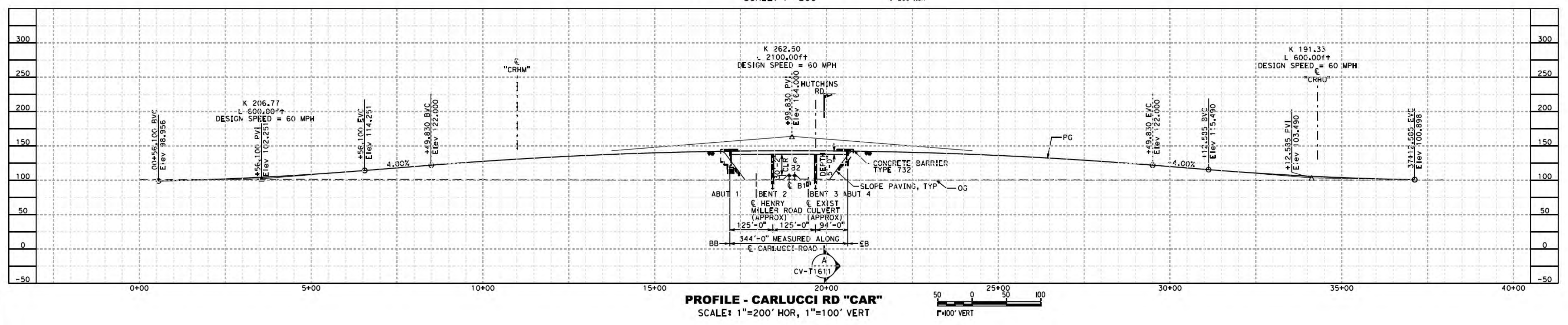
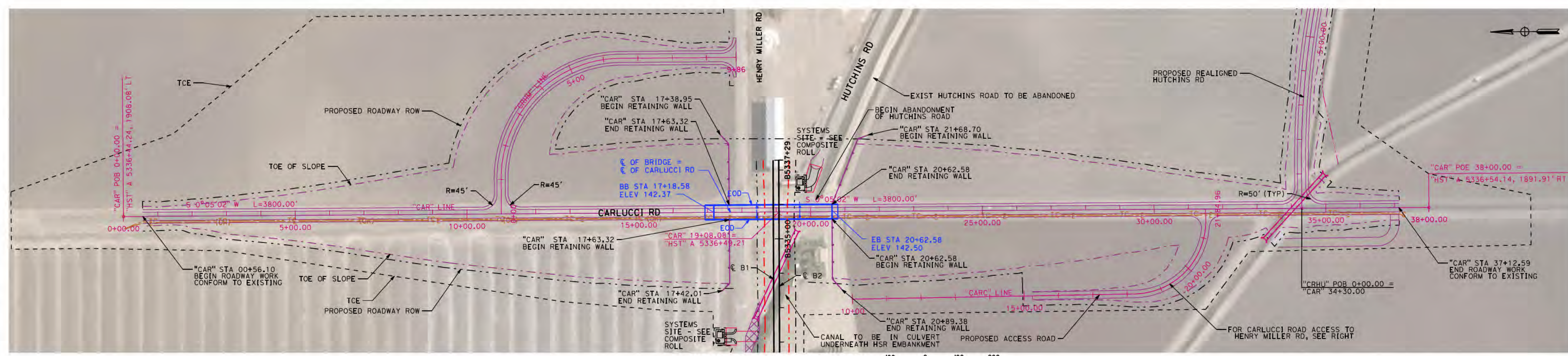
NOTE:
1. REFER TO GENERAL NOTES SHEETS GE-B0001 AND GE-B0002 FOR NOTES.



SECTION A
SCALE 1"=20'

SAN JOSE TO CVY EIR/S: VOLUME III
ALTERNATIVE 4
BOOK 4D
SHEET 105 OF 176

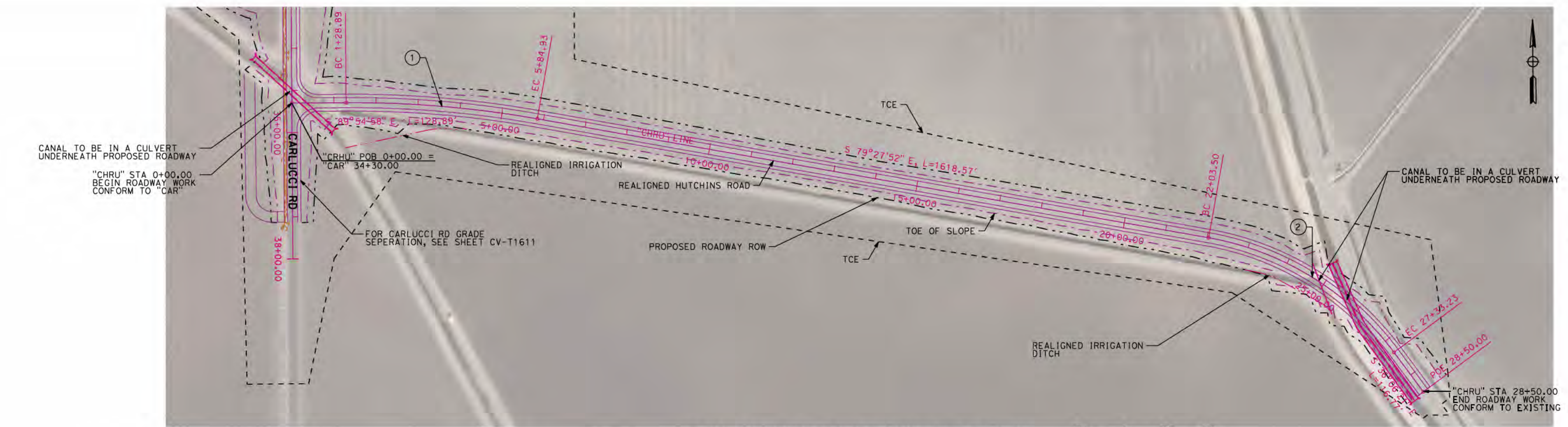
2021 RECORD SET PFD NOVEMBER 30, 2021 NOT FOR CONSTRUCTION		1111 Broadway 9th Floor Oakland, CA 94607		CALIFORNIA HIGH-SPEED TRAIN PROJECT SAN JOSE TO MERCED HENRY MILLER ROAD GRADE SEPARATION LAYOUT, PROFILE, & CROSS SECTIONS TURNER ROAD	CONTRACT NO. HSR15-34 DRAWING NO. CV-T1610 SCALE AS SHOWN SHEET NO.
--	--	---	--	---	--



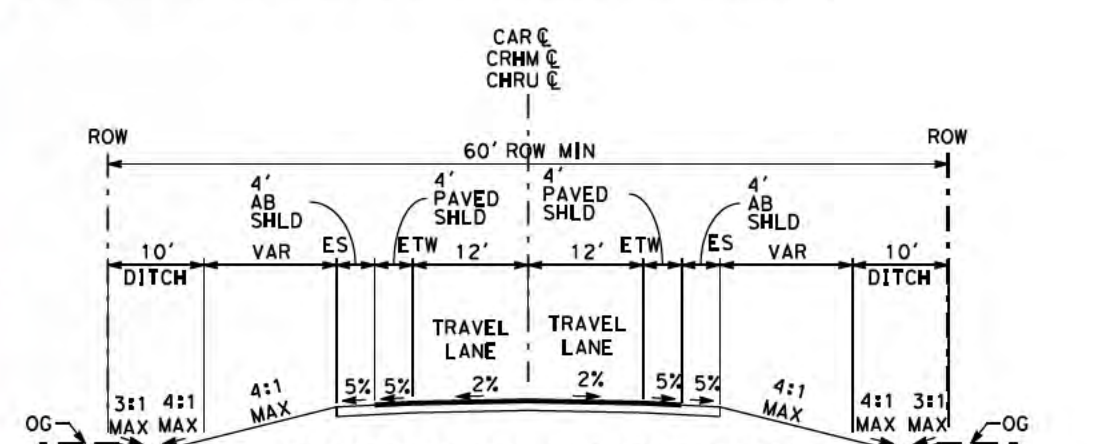
SAN JOSE TO CVY EIR/S: VOLUME III
ALTERNATIVE 4
BOOK 4D
SHEET 106 OF 176

NOTE:
1. REFER TO GENERAL NOTES SHEETS GE-B0001 AND GE-B0002 FOR NOTES.

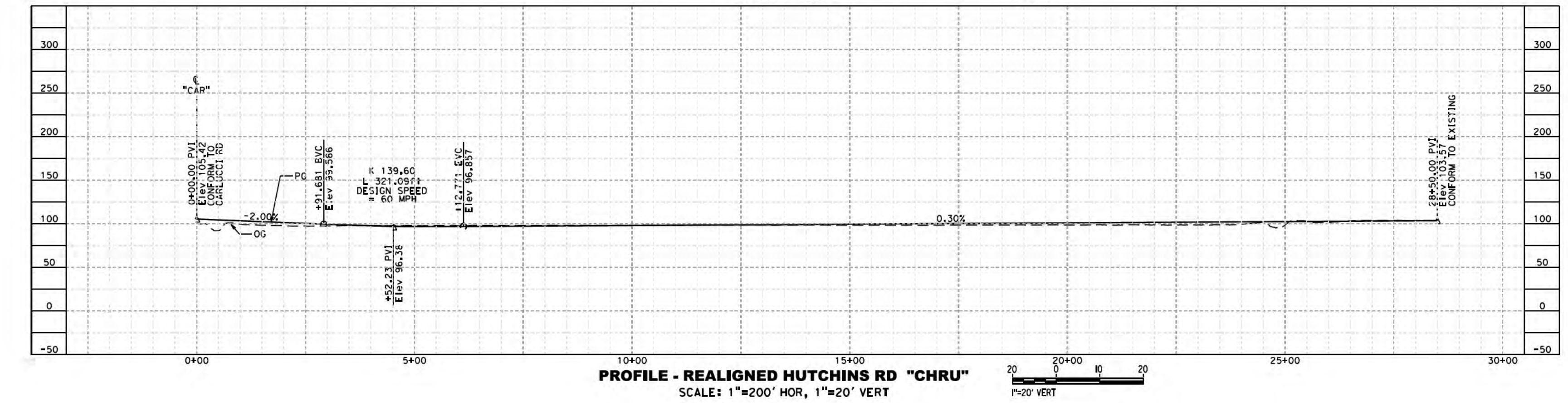
2021 RECORD SET PPD NOVEMBER 30, 2021 NOT FOR CONSTRUCTION		1111 Broadway 9th Floor Oakland, CA 94607		CALIFORNIA HIGH-SPEED TRAIN PROJECT SAN JOSE TO MERCED SAN JOAQUIN VALLEY HENRY MILLER ROAD GRADE SEPARATION LAYOUT, PROFILE, & CROSS SECTIONS CARLUCCI ROAD	CONTRACT NO. HSR15-34 DRAWING NO. CV-T1611 SCALE AS SHOWN SHEET NO.
--	--	---	--	---	---



CURVE DATA "CHRU"				
NO.	R	A	T	Y
1	2500	10°27'05.95"	456.039	228.654
2	700	43°21'31.47"	529.727	278.272



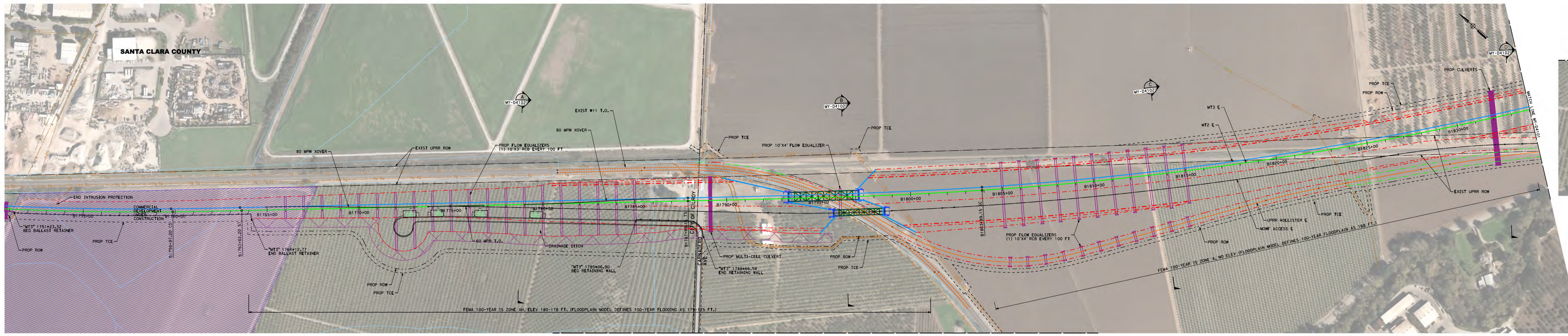
"CAR" STA 00+56.10 TO "CAR" STA 17+18.58
 "CAR" STA 20+62.58 TO "CAR" STA 37+12.59
 "CRHM" STA 00+81.59 TO "CRHM" STA 18+00.00
 "CHRU" STA 00+00.00 TO "CHRU" STA 28+00.00



NOTE:
 1. REFER TO GENERAL NOTES SHEETS GE-B0001 AND GE-B0002 FOR NOTES.

**SAN JOSE TO CVY EIR/S: VOLUME III
 ALTERNATIVE 4
 BOOK 4D
 SHEET 107 OF 176**

2021 RECORD SET PBD NOVEMBER 30, 2021 NOT FOR CONSTRUCTION	HNTB 1111 Broadway 9th Floor Oakland, CA 94607		CALIFORNIA HIGH-SPEED TRAIN PROJECT SAN JOSE TO MERCED SAN JOAQUIN VALLEY HENRY MILLER ROAD GRADE SEPARATION LAYOUT, PROFILE, & CROSS SECTIONS HUTCHINS ROAD	CONTRACT NO. HSR15-34 DRAWING NO. CV-T1612 SCALE AS SHOWN SHEET NO.
--	--	--	--	--



- NOTE:
- FOR UTILITY, SYSTEMS, ROADWAY, AND DRAINAGE DETAILS, SEE COMPOSITE DRAWINGS.
 - FOR COMPLEX STRUCTURES, SEE DRAWING ST-V4001.

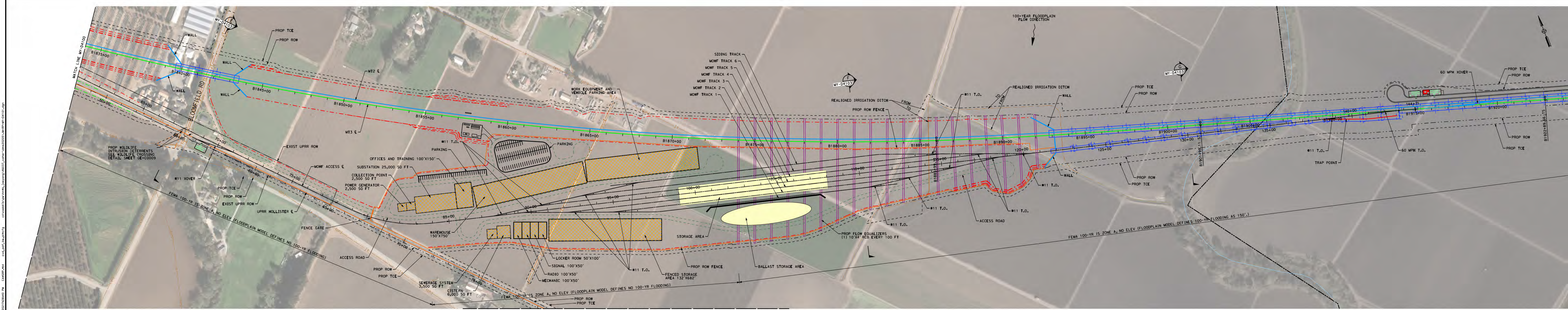
PLAN
SCALE: 1"=200'

MATCH LINE (SEE RIGHT)

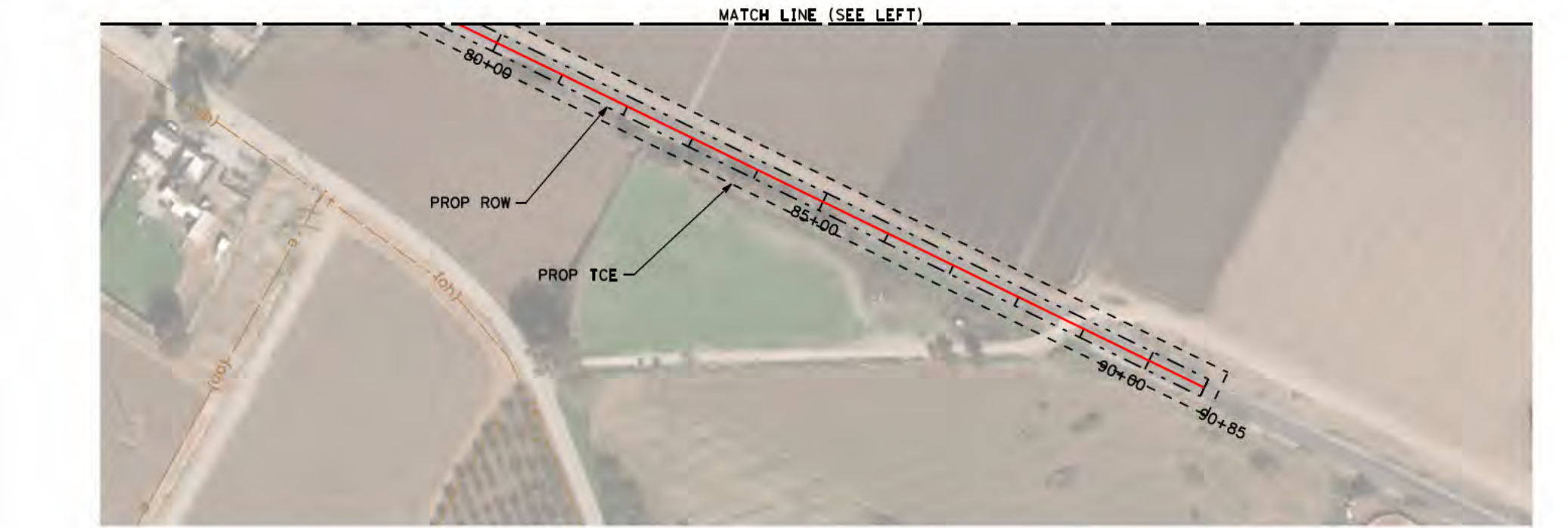
SAN JOSE TO CVY EIR/S: VOLUME III
ALTERNATIVE 4
BOOK 4D
SHEET 108 OF 176

2021 RECORD SET PPD NOVEMBER 30, 2021 NOT FOR CONSTRUCTION	HNTB 1111 Broadway 9th Floor Oakland, CA 94607	CALIFORNIA High-Speed Rail Authority	CALIFORNIA HIGH-SPEED TRAIN PROJECT SAN JOSE TO MERCED CP COAST TO GILROY BLENDED AT-GRADE ALTERNATIVE MOWF DETAIL SHEET 1 OF 4	CONTRACT NO. HSR15-34 DRAWING NO. MY-D4100 SCALE AS SHOWN SHEET NO.
--	--	--	--	--

11/17/2021 12:24:48 PM cad@hntb.com C:\p\d\c\2021\ppd\my-d4100.dwg 11/17/2021 12:24:48 PM



NOTES:
 1. FOR STRUCTURE, UTILITY, SYSTEMS, ROADWAY, AND DRAINAGE DETAILS, SEE COMPOSITE DRAWINGS.

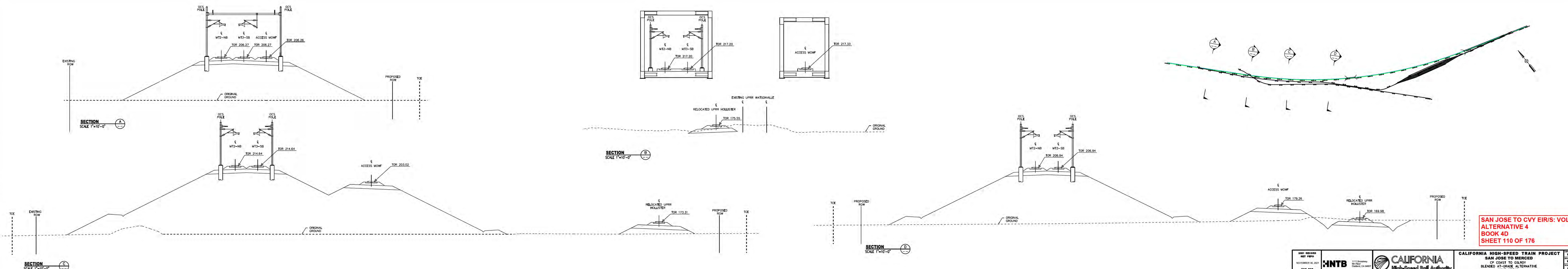


PLAN
 SCALE: 1"=200'
 0 100 200
 1"=200' HOR

SAN JOSE TO CVY EIR/S: VOLUME III
ALTERNATIVE 4
BOOK 4D
SHEET 109 OF 176

2021 RECORD SET PEPD NOVEMBER 30, 2021 NOT FOR CONSTRUCTION	HNTB 1111 Broadway Oakland, CA 94607		CALIFORNIA HIGH-SPEED TRAIN PROJECT SAN JOSE TO MERCED CP COAST TO GILROY BLENDED AT-GRADE ALTERNATIVE MOWF DETAIL SHEET 2 OF 4	CONTRACT NO. HSR15-34 DRAWING NO. MY-D4101 SCALE AS SHOWN SHEET NO.
---	---	--	--	---

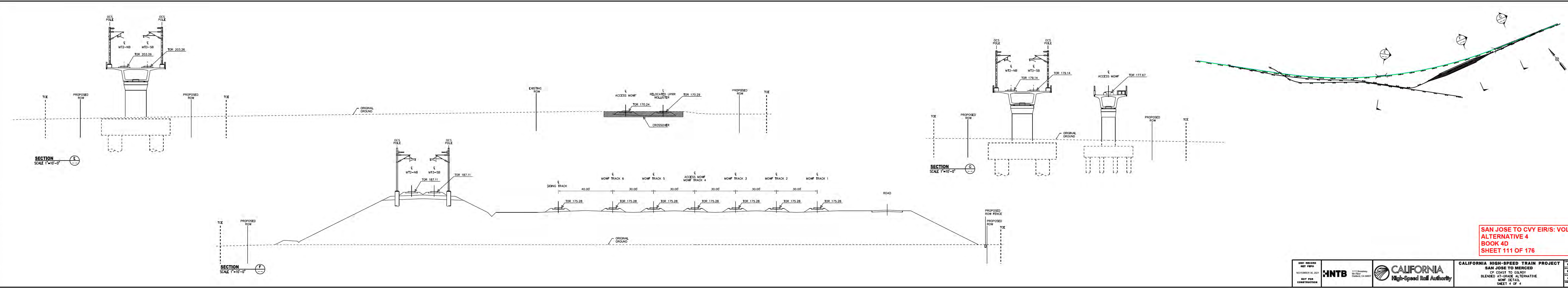
10/26/2021 9:51:02 AM C:\Users\hntb\OneDrive\Documents\hntb\proj\mt-d4102\mt-d4102.dwg
 10/26/2021 9:51:02 AM C:\Users\hntb\OneDrive\Documents\hntb\proj\mt-d4102\mt-d4102.dwg
 10/26/2021 9:51:02 AM C:\Users\hntb\OneDrive\Documents\hntb\proj\mt-d4102\mt-d4102.dwg



SAN JOSE TO CVY EIR/S: VOLUME III
ALTERNATIVE 4
BOOK 4D
SHEET 110 OF 176

2021 RECORD SET PBD NOVEMBER 30, 2021 NOT FOR CONSTRUCTION	HNTB <small>1111 Broadway 9th Floor Oakland, CA 94607</small>		CALIFORNIA HIGH-SPEED TRAIN PROJECT SAN JOSE TO MERCED CP COAST TO GILROY BLENDED AT-GRADE ALTERNATIVE MOWF DETAIL SHEET 3 OF 4	CONTRACT NO. HSR15-34 DRAWING NO. MT-D4102 SCALE AS SHOWN SHEET NO.
--	---	--	--	--

10/26/2021 9:51:52 AM C:\HSR\Drawings\A4103\Drawings\A4103.dwg
 10/26/2021 9:51:52 AM C:\HSR\Drawings\A4103\Drawings\A4103.dwg
 10/26/2021 9:51:52 AM C:\HSR\Drawings\A4103\Drawings\A4103.dwg
 10/26/2021 9:51:52 AM C:\HSR\Drawings\A4103\Drawings\A4103.dwg



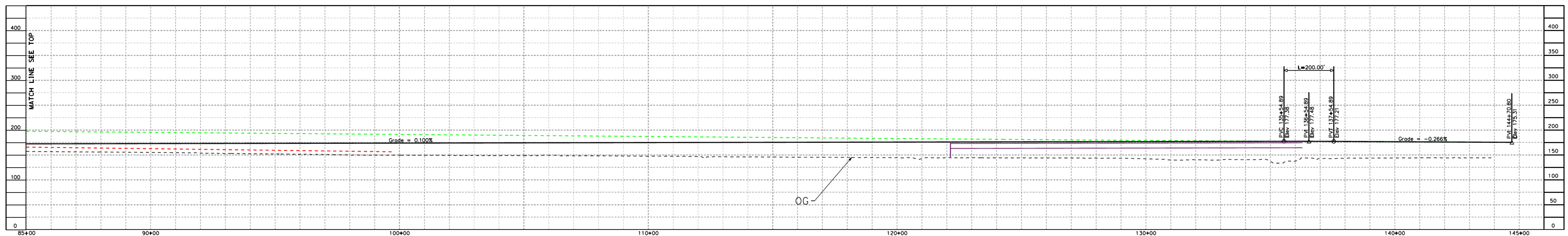
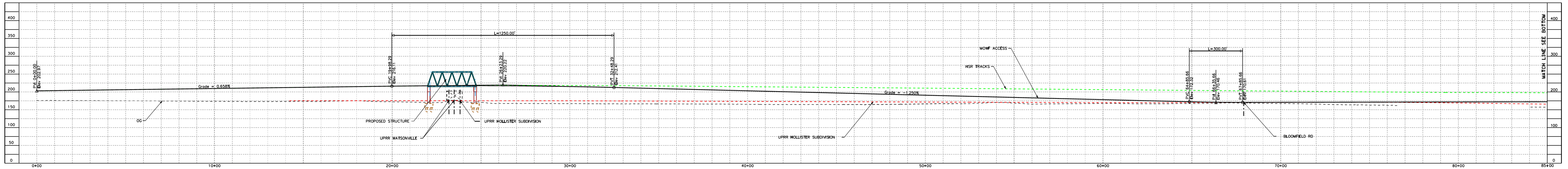
SECTION E
SCALE 1"=10'-0"

SECTION F
SCALE 1"=10'-0"

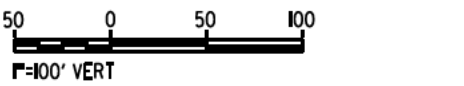
SECTION G
SCALE 1"=10'-0"

SAN JOSE TO CVY EIR/S: VOLUME III
ALTERNATIVE 4
BOOK 4D
SHEET 111 OF 176

NOTE:



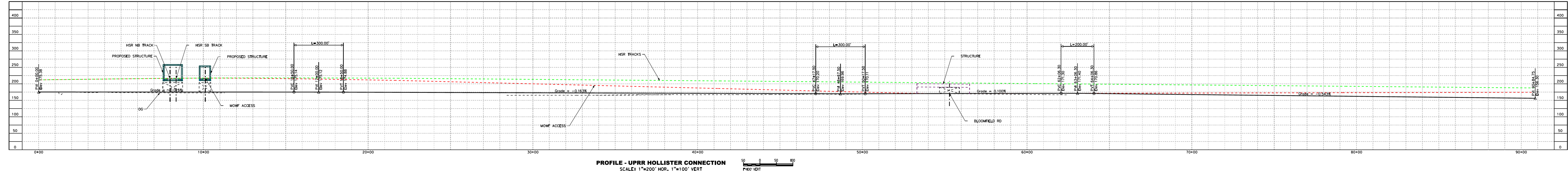
PROFILE
SCALE: 1"=100' HOR, 1"=10' VERT



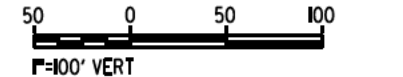
**SAN JOSE TO CVY EIR/S: VOLUME III
ALTERNATIVE 4
BOOK 4D
SHEET 112 OF 176**

2021 RECORD SET PBD NOVEMBER 30, 2021 NOT FOR CONSTRUCTION		1111 Broadway 9th Floor Oakland, CA 94607		CALIFORNIA HIGH-SPEED TRAIN PROJECT SAN JOSE TO MERCED CP COAST TO GILROY BLENDED AT-GRADE ALTERNATIVE UPRR PROFILE FOR MOWF SHEET 1 OF 2	CONTRACT NO. HSR15-34 DRAWING NO. MT-D4104 SCALE AS SHOWN SHEET NO.
--	--	---	--	--	---

NOTE:



PROFILE - UPRR HOLLISTER CONNECTION
 SCALE: 1"=200' HOR, 1"=100' VERT



SAN JOSE TO CVY EIR/S: VOLUME III
ALTERNATIVE 4
BOOK 4D
SHEET 113 OF 176

2021 RECORD SET PBD NOVEMBER 30, 2021 NOT FOR CONSTRUCTION	1111 Broadway 9th Floor Oakland, CA 94607		CALIFORNIA HIGH-SPEED TRAIN PROJECT SAN JOSE TO MERCED CP COAST TO GILROY BLENDED AT-GRADE ALTERNATIVE UPRR PROFILE FOR MOWF SHEET 2 OF 2	CONTRACT NO. HSR15-34 DRAWING NO. MT-D4105 SCALE AS SHOWN SHEET NO.
--	---	--	--	---

10/26/2021 9:51:16 AM c:\p01\proj_2021\fig c:\p01\proj_2021\fig c:\p01\proj_2021\fig c:\p01\proj_2021\fig c:\p01\proj_2021\fig

