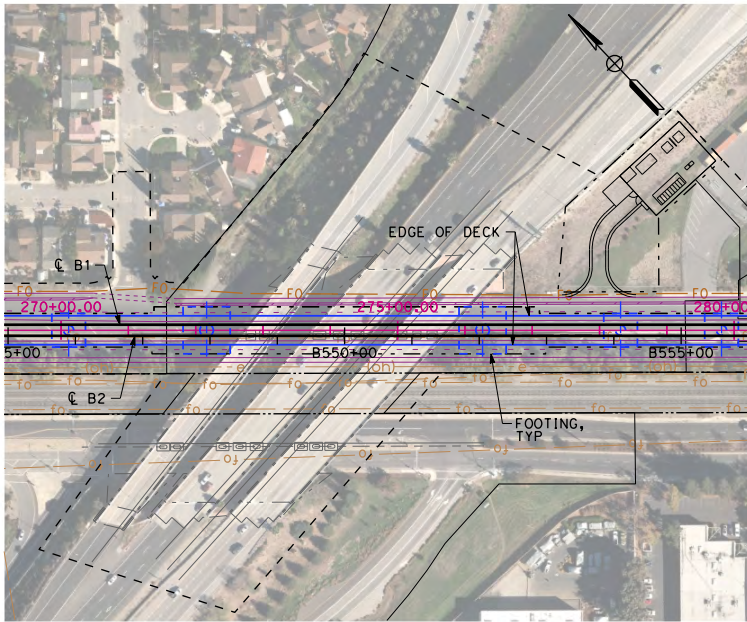


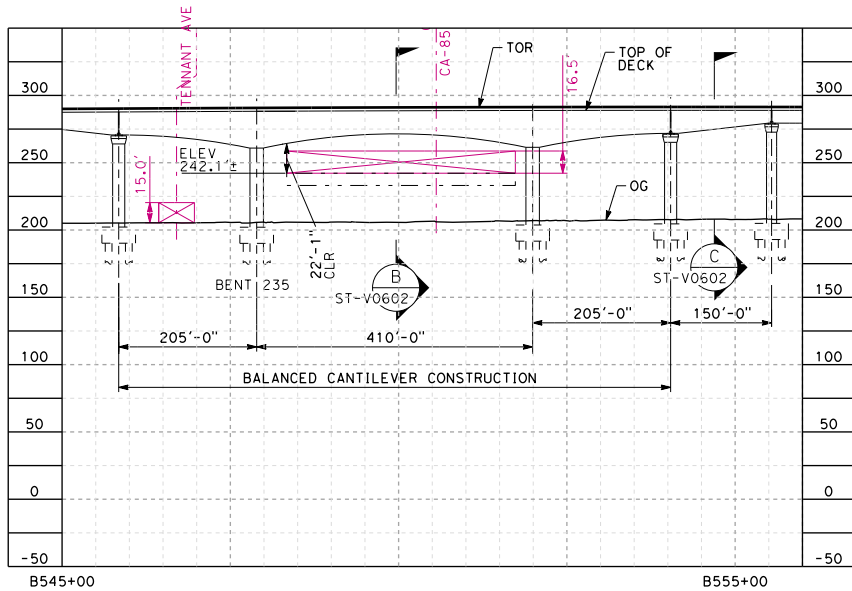
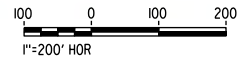
APPENDIX B: MONTEREY HIGHWAY VIADUCT, BALANCED CANTILEVER INSTALLATION



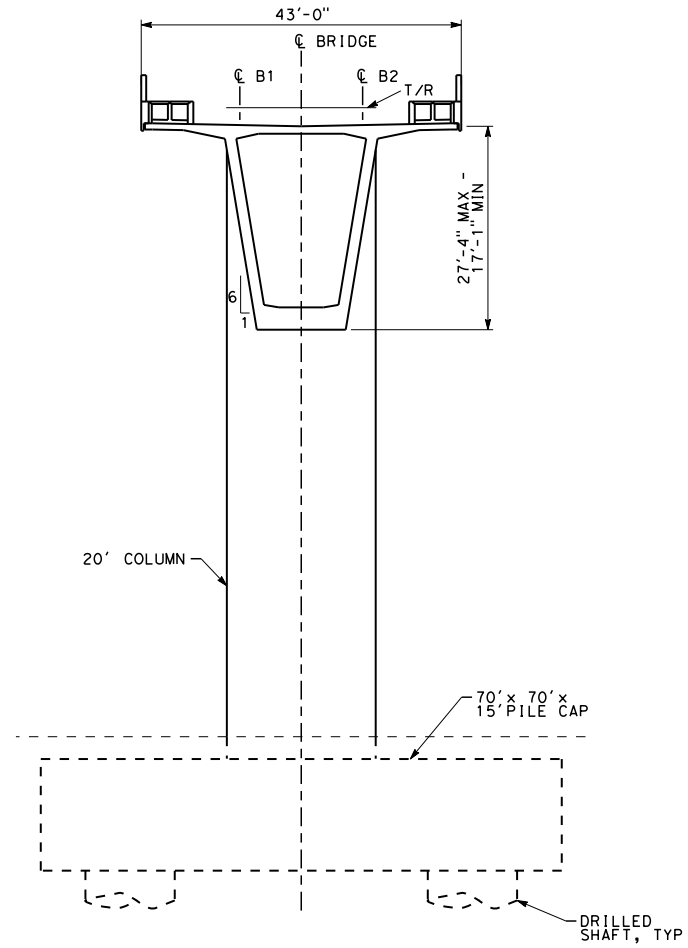
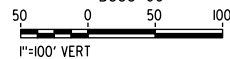
Appendix B
Monterey Highway Viaduct
Balanced Cantilever Installation



PLAN - STATE ROUTE 85
SCALE: 1"=200'



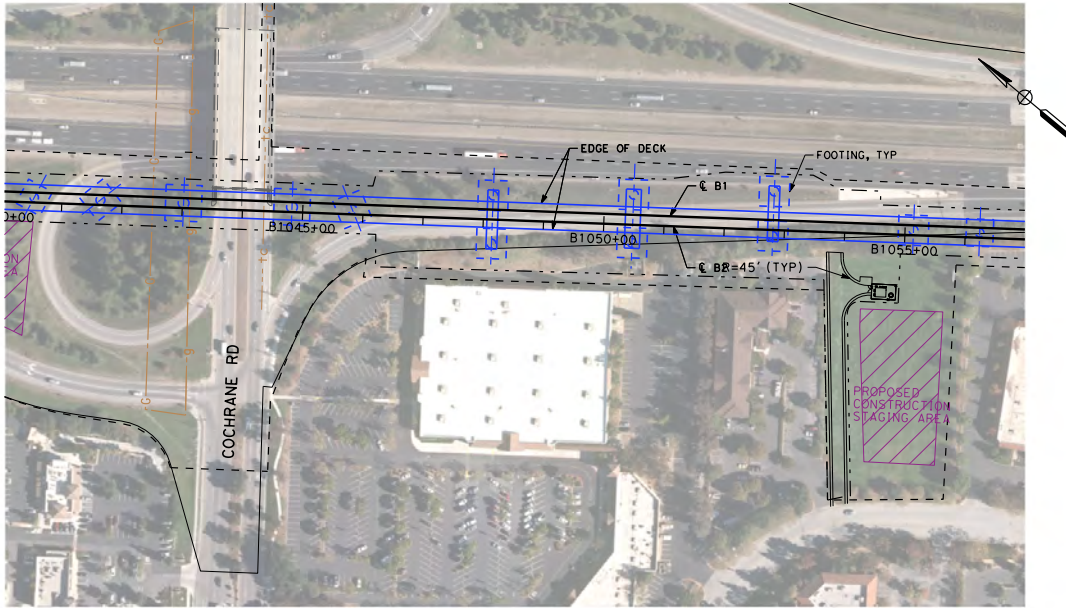
PROFILE - STATE ROUTE 85
SCALE: 1"=200' HOR, 1"=100' VERT



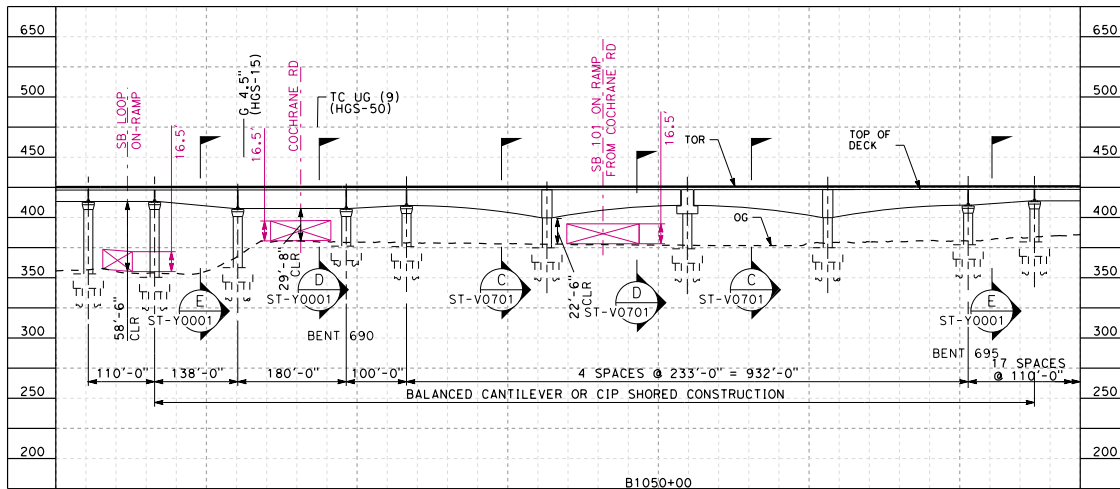
SECTION
SCALE 1"=20'-0" (B)



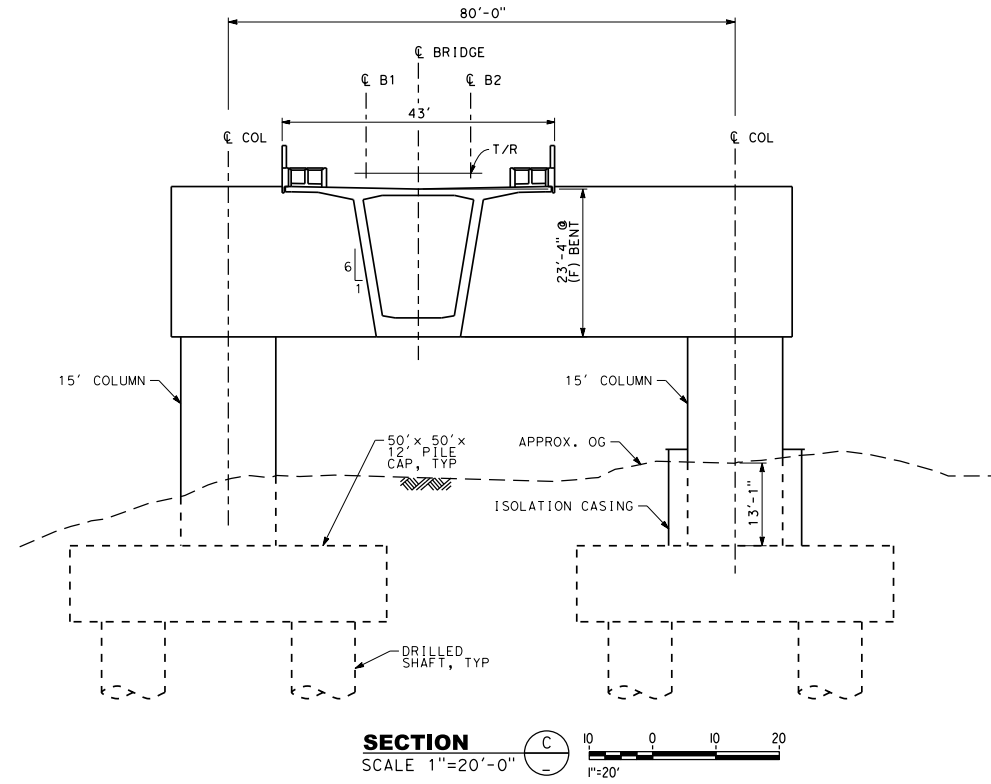
STATION B550+00



PLAN - COCHRANE RD ON-RAMP TO SB 101
 1"=200' HOR

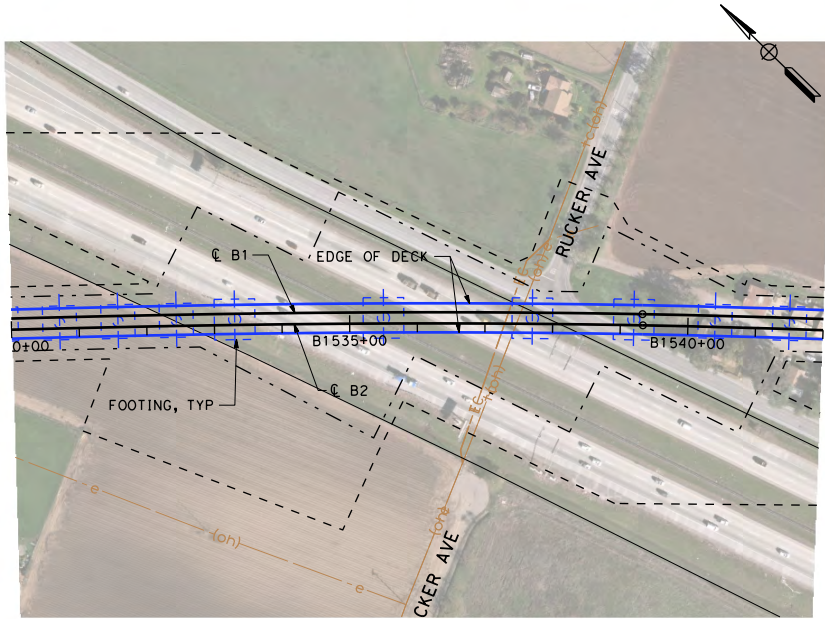


PROFILE - COCHRANE RD ON-RAMP TO SB 101
 SCALE: 1"=200' HOR, 1"=100' VERT

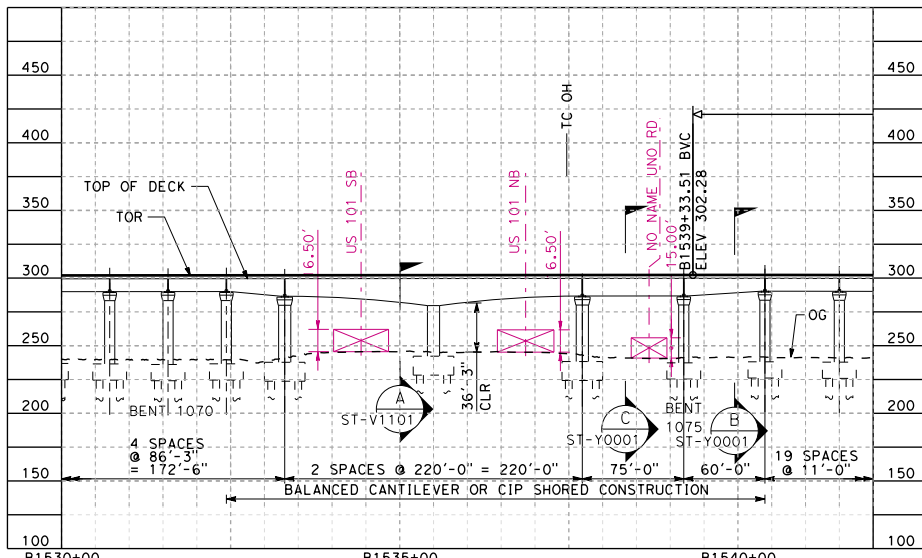
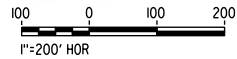


SECTION
 SCALE 1"=20'-0"

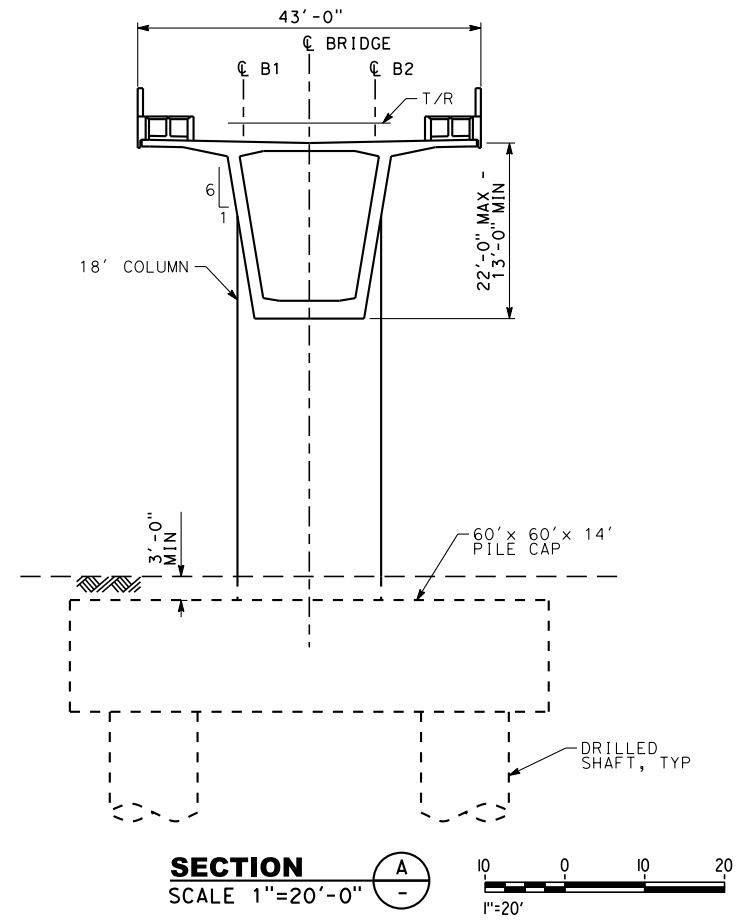
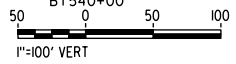
STATION B1050+00



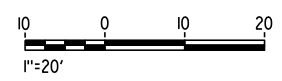
PLAN - US 101
SCALE: 1"=200'



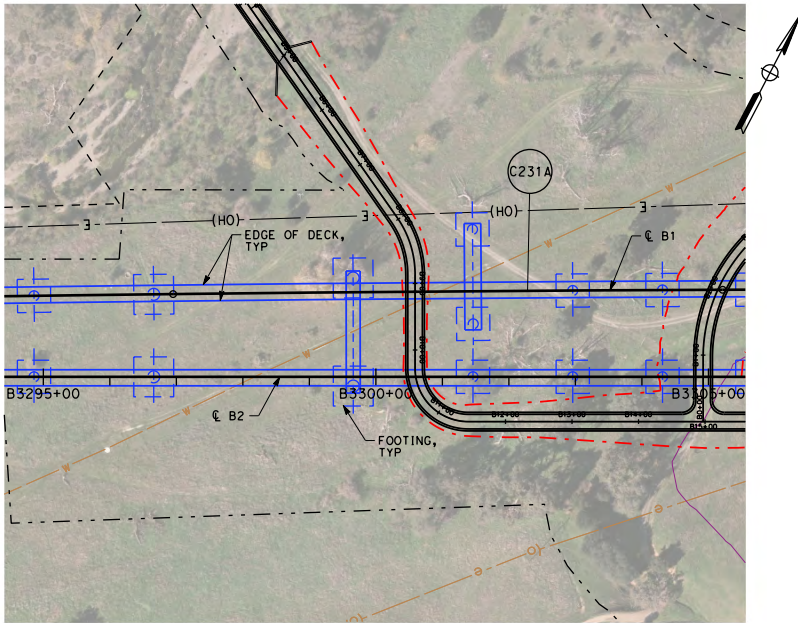
PROFILE - US 101
SCALE: 1"=200' HOR, 1"=100' VERT



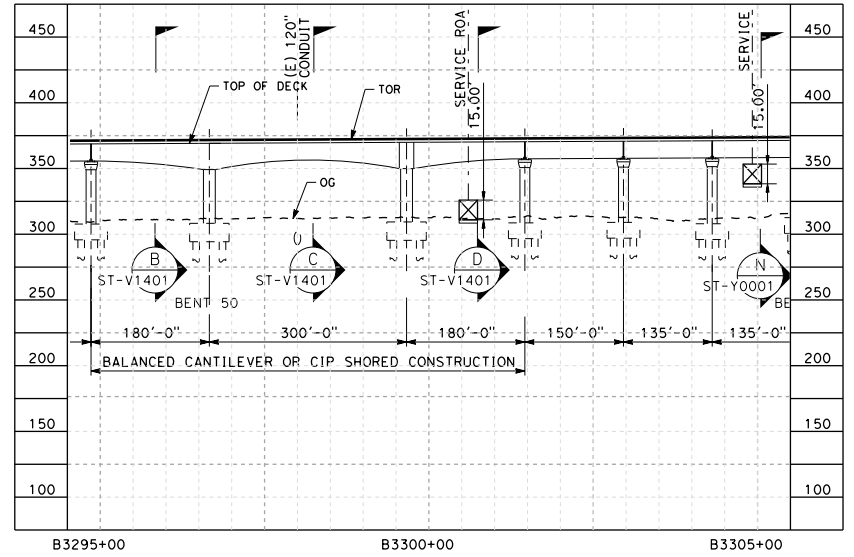
SECTION
SCALE 1"=20'-0"



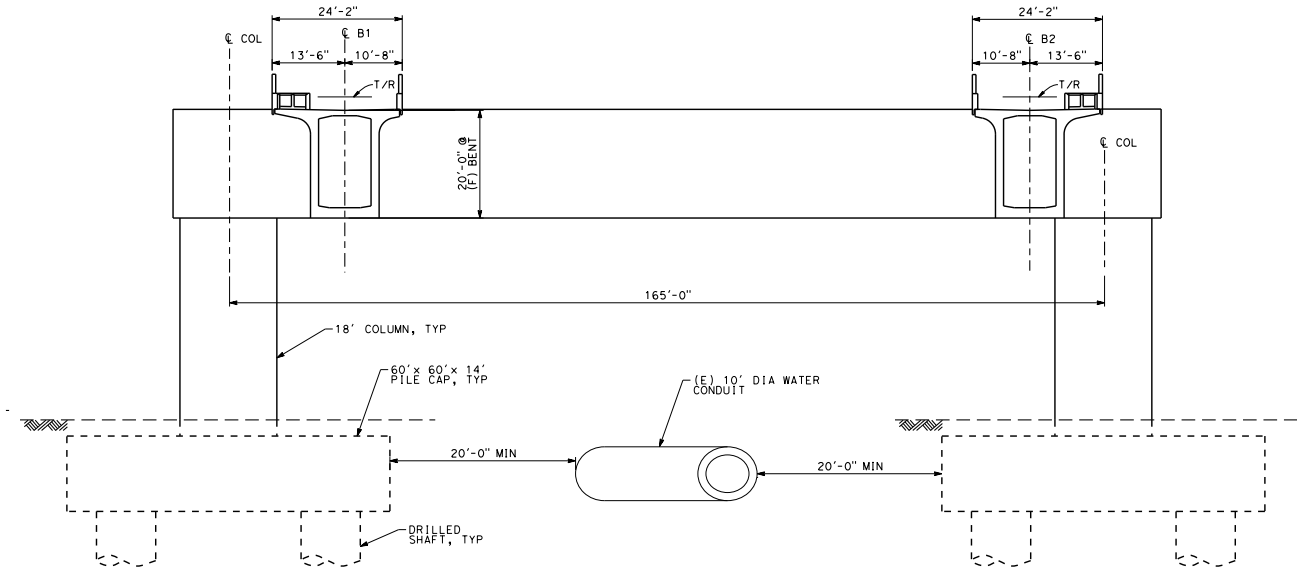
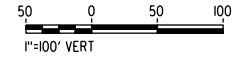
STATION B1535+00



PLAN - PACHECO CONDUIT
 SCALE: 1"=200'
 1"=200' HOR

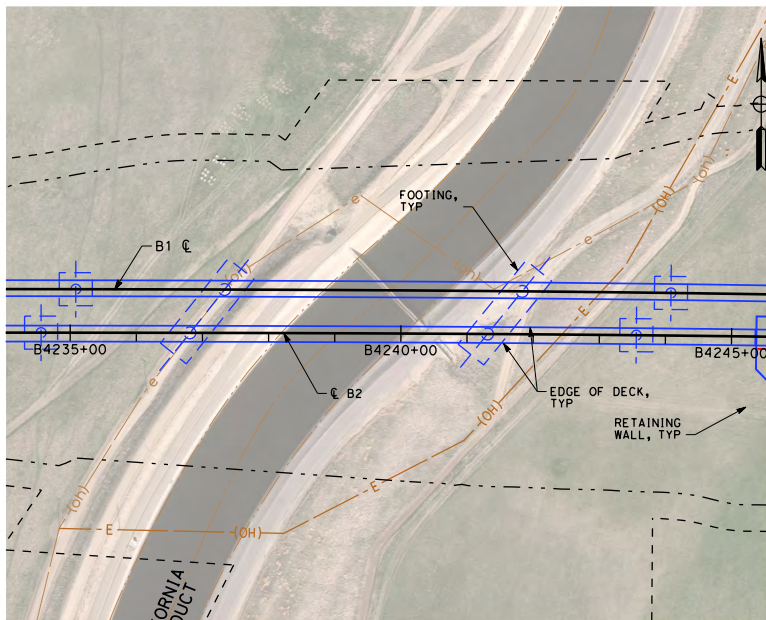


PROFILE - PACHECO CONDUIT
 SCALE: 1"=200' HOR, 1"=100' VERT

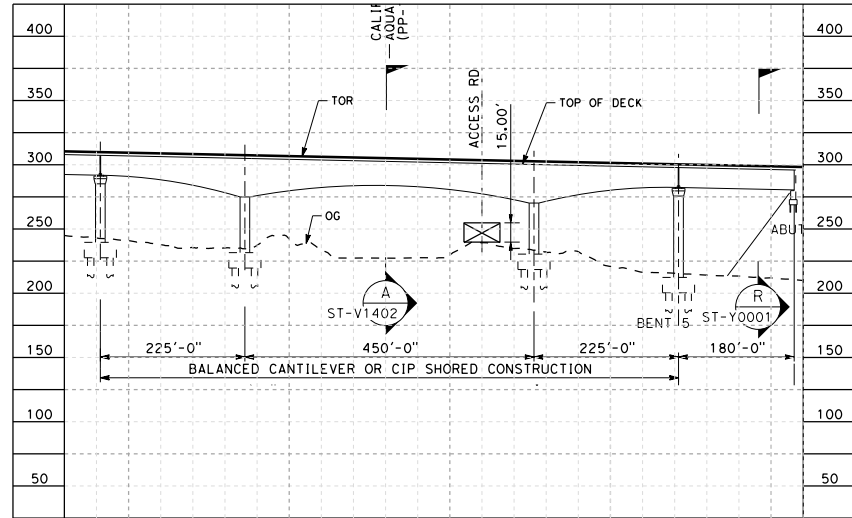
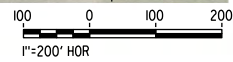


SECTION
 SCALE 1"=20'-0" C

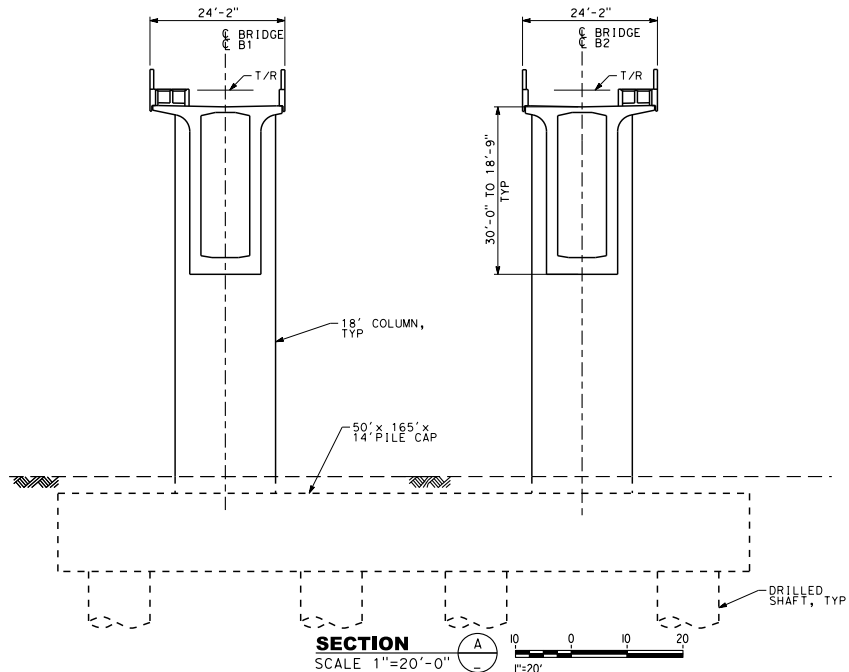
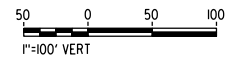
STATION B3300+00



PLAN - CALIFORNIA AQUEDUCT
SCALE: 1"=200'



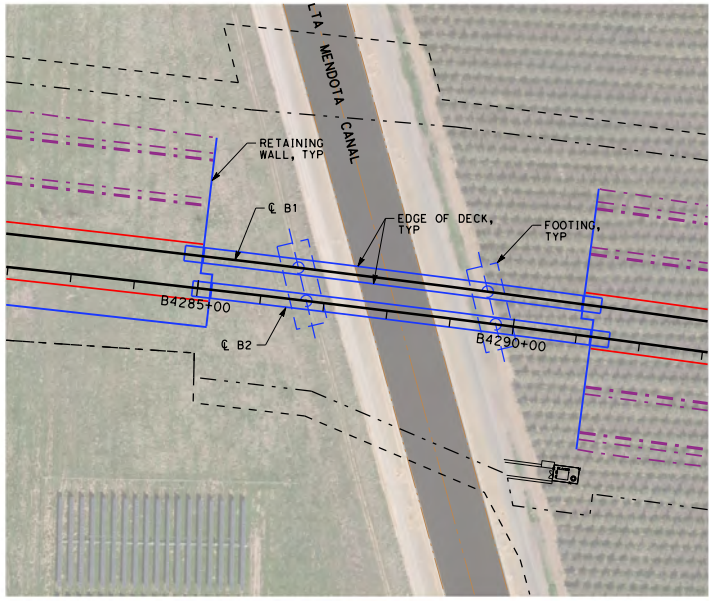
PROFILE - CALIFORNIA AQUEDUCT
SCALE: 1"=200' HOR, 1"=100' VERT



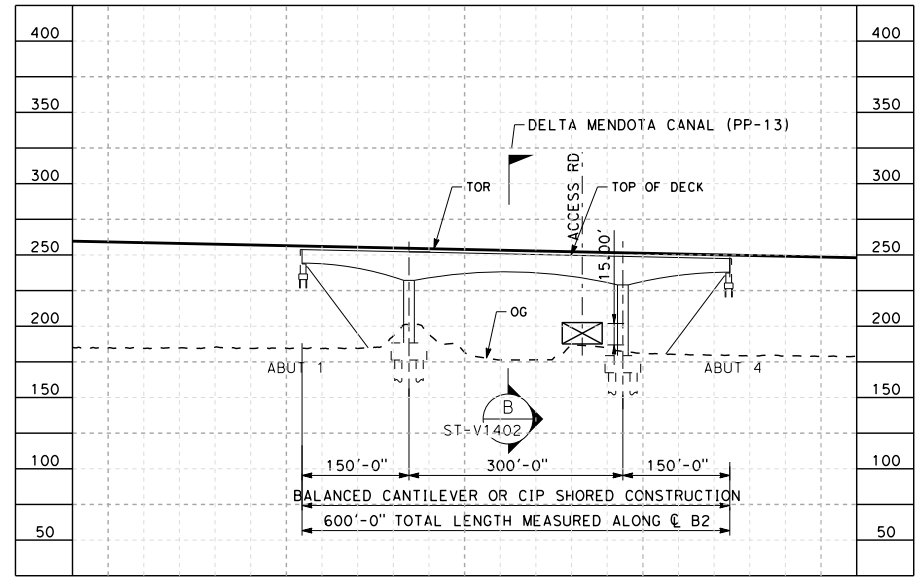
SECTION A
SCALE 1"=20'-0"



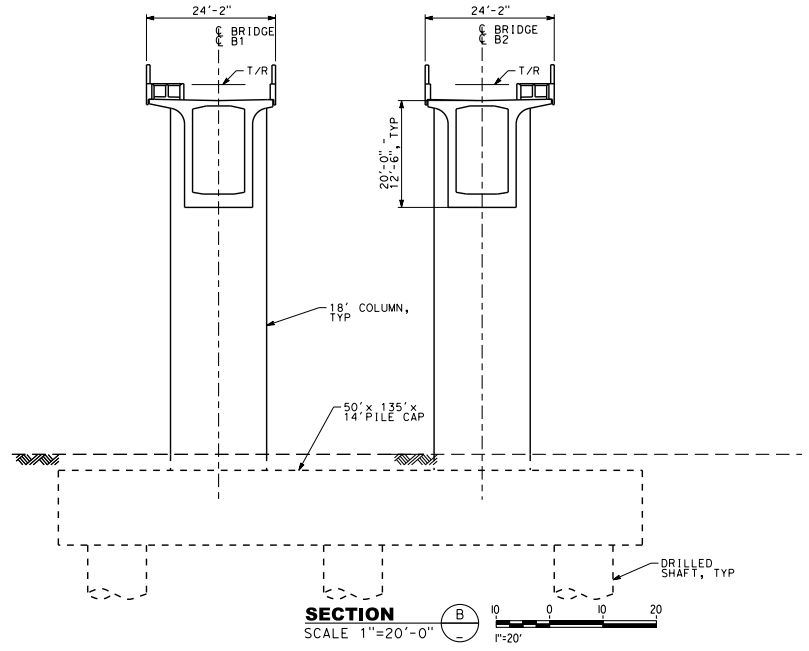
STATION B4240+00



PLAN - DELTA MENDOTA
SCALE: 1"=200'

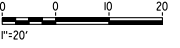


PROFILE - DELTA MENDOTA
SCALE: 1"=200' HOR, 1"=100' VERT



SECTION

SCALE 1"=20'-0"



STATION B4290+00