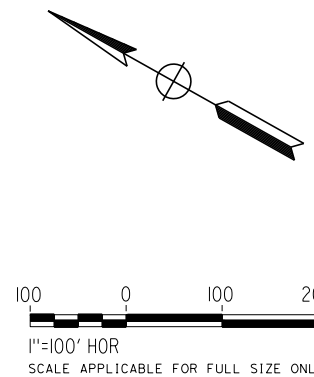
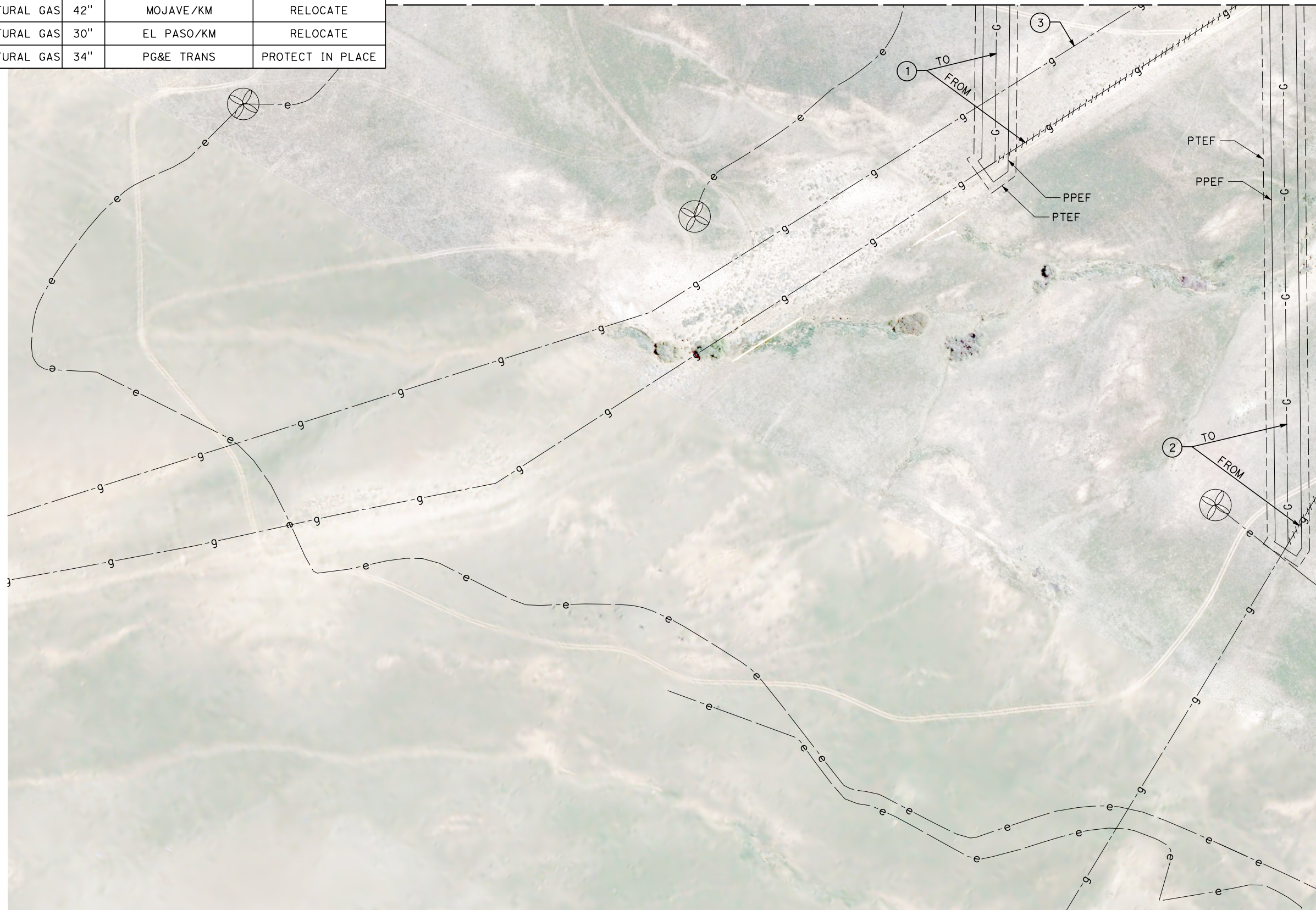


UTILITY INFORMATION				
#	FACILITY	SIZE	OWNER	DISPOSITION
1	NATURAL GAS	42"	MOJAVE/KM	RELOCATE
2	NATURAL GAS	30"	EL PASO/KM	RELOCATE
3	NATURAL GAS	34"	PG&E TRANS	PROTECT IN PLACE

MATCH LINE (UT-C4262)



Projects\701206.00_CHSRBP\00_CADD\Sheet Files\UT\AI\1\BP-UT-C4263

1/23/2021 3:21:08 AM

ics_user_17609

REV	DATE	BY	CHK	APP	DESCRIPTION

DESIGNED BY
D. HOLMAN
DRAWN BY
J. LOPEZ
CHECKED BY
G. CAMPBELL
IN CHARGE
G. CAMPBELL
DATE
01/29/2021

**RECORD SET
PEPD
SUBMITTAL**

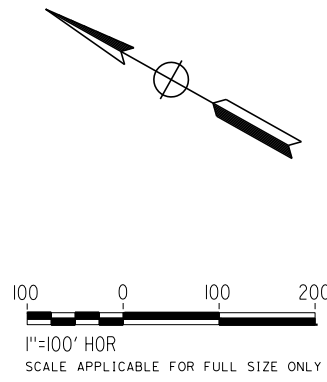
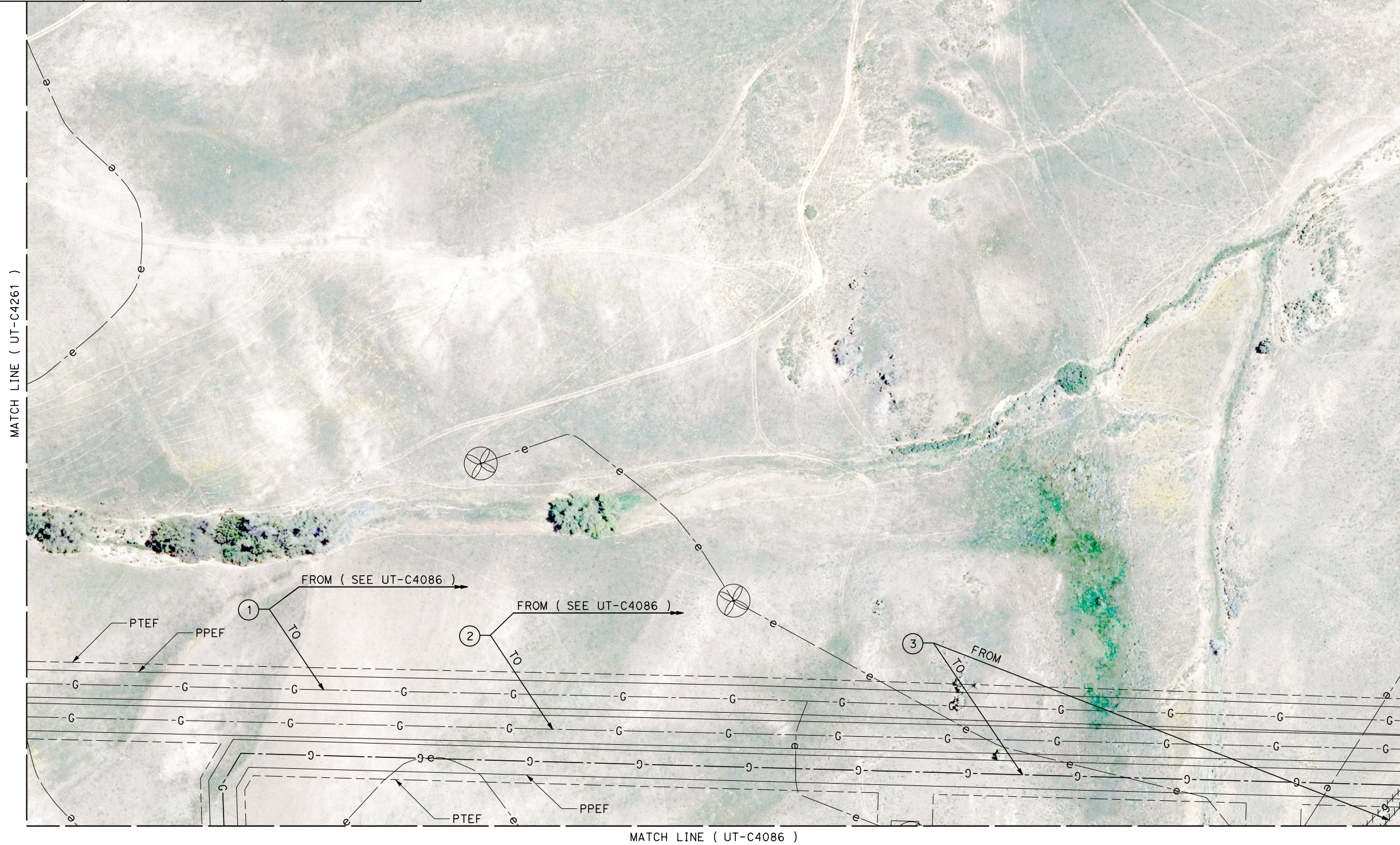
**NOT FOR
CONSTRUCTION**



**CALIFORNIA HIGH-SPEED RAIL PROJECT
BAKERSFIELD TO PALMDALE**
COMPOSITE UTILITY PLANS
ALTERNATIVE 1,2,5
STA 19385+00 TO 19410+00

CONTRACT NO.
HSR13-44
DRAWING NO.
UT-C4263
SCALE
AS SHOWN
SHEET NO.
235

UTILITY INFORMATION				
#	FACILITY	SIZE	OWNER	DISPOSITION
1	NATURAL GAS	42"	MOJAVE/KM	RELOCATE
2	NATURAL GAS	30"	EL PASO/KM	RELOCATE
3	NATURAL GAS	34"	PG&E TRANS	RELOCATE



Projects\701206.00_CHSRBP\00_CADD\Sheet Files\UT\AI\1\BP-UT-C4264

1/23/2021 3:21:20 AM

jcs_user_17609

REV	DATE	BY	CHK	APP	DESCRIPTION

DESIGNED BY
D. HOLMAN

DRAWN BY
J. LOPEZ

CHECKED BY
G. CAMPBELL

IN CHARGE
G. CAMPBELL

DATE
01/29/2021

RECORD SET
PEPD
SUBMITTAL

NOT FOR
CONSTRUCTION



CALIFORNIA HIGH-SPEED RAIL PROJECT
BAKERSFIELD TO PALMDALE
COMPOSITE UTILITY PLANS
ALTERNATIVE 1,2,5
STA 19410+00 TO 19435+00

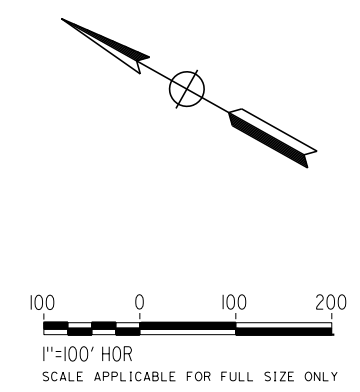
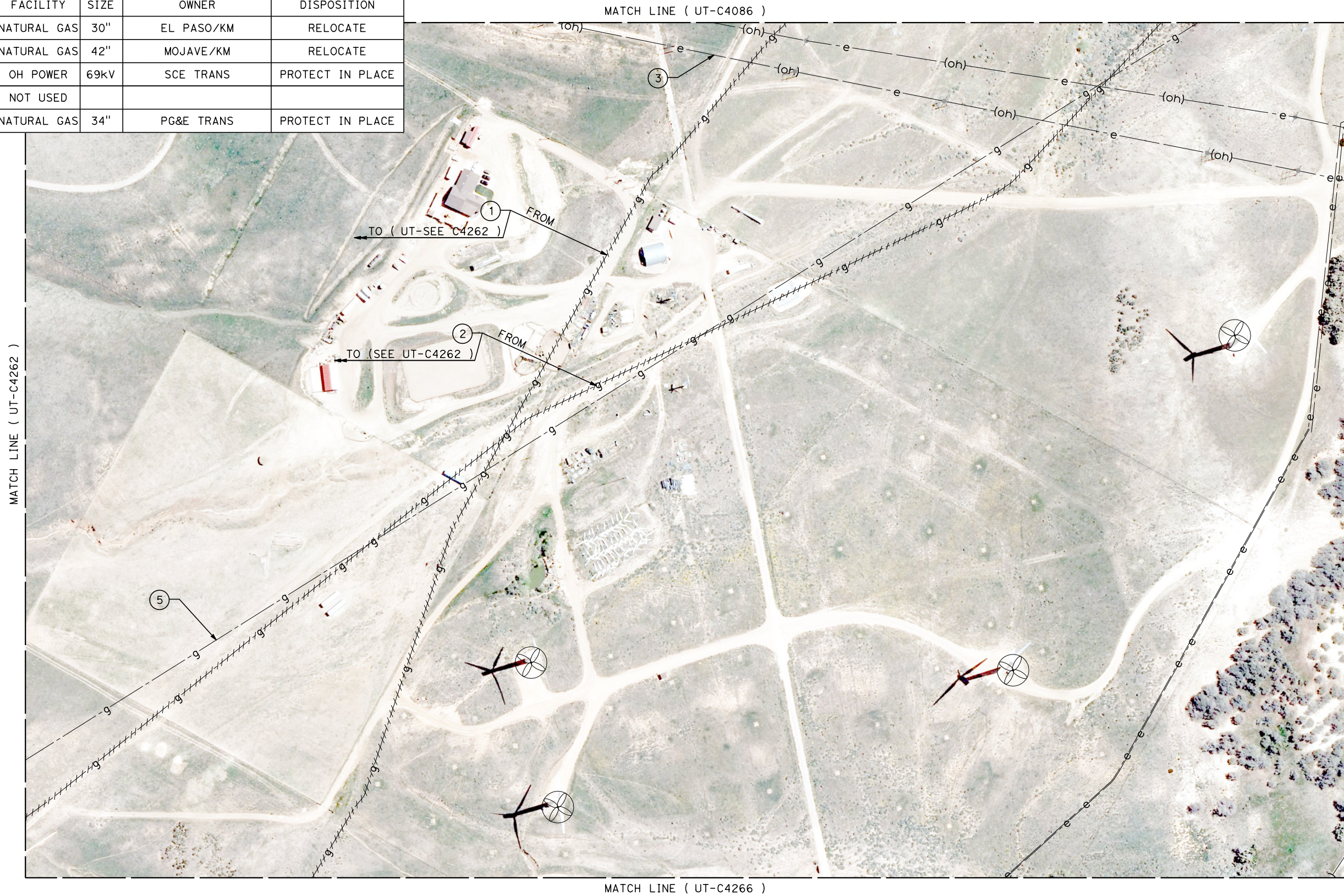
CONTRACT NO.
HSR13-44

DRAWING NO.
UT-C4264

SCALE
AS SHOWN

SHEET NO.
236

UTILITY INFORMATION				
#	FACILITY	SIZE	OWNER	DISPOSITION
1	NATURAL GAS	30"	EL PASO/KM	RELOCATE
2	NATURAL GAS	42"	MOJAVE/KM	RELOCATE
3	OH POWER	69KV	SCE TRANS	PROTECT IN PLACE
4	NOT USED			
5	NATURAL GAS	34"	PG&E TRANS	PROTECT IN PLACE



1/23/2021 3:20:52 AM
 Projects\701206.00_CHSRBP\00_CADD\Sheet Files\UT\A1\1_NBP-UT-C4265
 jcs_user_17609

REV	DATE	BY	CHK	APP	DESCRIPTION

DESIGNED BY
D. HOLMAN
 DRAWN BY
J. LOPEZ
 CHECKED BY
G. CAMPBELL
 IN CHARGE
G. CAMPBELL
 DATE
01/29/2021

RECORD SET
PEPD
SUBMITTAL

NOT FOR
CONSTRUCTION



CALIFORNIA HIGH-SPEED RAIL PROJECT
BAKERSFIELD TO PALMDALE
 COMPOSITE UTILITY PLANS
 ALTERNATIVE 1,2,5
 STA 19410+00 TO 19435+00

CONTRACT NO.
HSR13-44
 DRAWING NO.
UT-C4265
 SCALE
AS SHOWN
 SHEET NO.
237

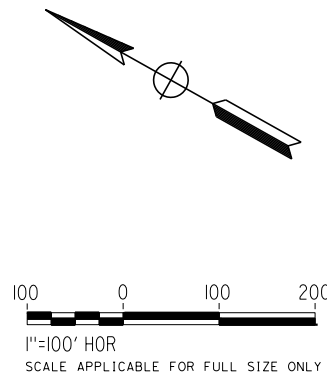
MATCH LINE (UT-C4265)



MATCH LINE (UT-C4263)

FROM
TO (SEE UT-C4263)

UTILITY INFORMATION				
#	FACILITY	SIZE	OWNER	DISPOSITION
1	NATURAL GAS	30"	EL PASO/KM	RELOCATE



Projects\701206.00_CHSRBP\00_CADD\Sheet Files\UT\AI\1\BP-UT-C4266

1/23/2021 3:20:46 AM

_ics_user_17609

REV	DATE	BY	CHK	APP	DESCRIPTION

DESIGNED BY
D. HOLMAN
DRAWN BY
J. LOPEZ
CHECKED BY
G. CAMPBELL
IN CHARGE
G. CAMPBELL
DATE
01/29/2021

**RECORD SET
PEPD
SUBMITTAL**

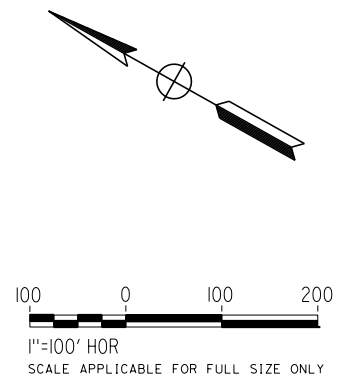
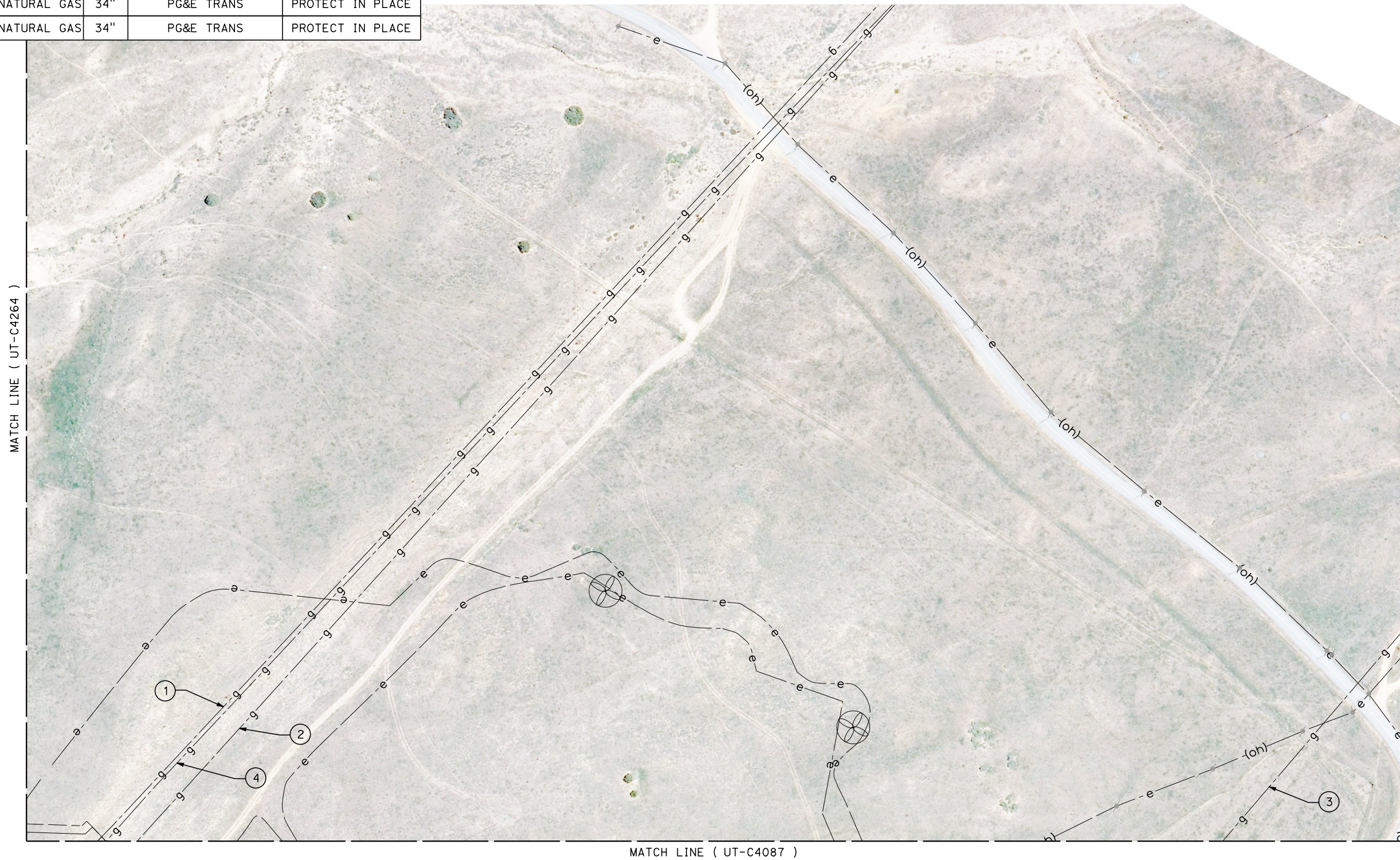
**NOT FOR
CONSTRUCTION**



**CALIFORNIA HIGH-SPEED RAIL PROJECT
BAKERSFIELD TO PALMDALE**
COMPOSITE UTILITY PLANS
ALTERNATIVE 1,2,5
STA 19410+00 TO 19435+00

CONTRACT NO.
HSR13-44
DRAWING NO.
UT-C4266
SCALE
AS SHOWN
SHEET NO.
238

UTILITY INFORMATION				
#	FACILITY	SIZE	OWNER	DISPOSITION
1	NATURAL GAS	42"	MOJAVE/KM	PROTECT IN PLACE
2	NATURAL GAS	30"	EL PASO/KM	PROTECT IN PLACE
3	NATURAL GAS	34"	PG&E TRANS	PROTECT IN PLACE
4	NATURAL GAS	34"	PG&E TRANS	PROTECT IN PLACE



Projects\701206.00_CHSRBP\00_CADD\Sheet Files\UT\AI\1\BP-UT-C4267

1/23/2021 3:20:59 AM

jcs_user_17609

REV	DATE	BY	CHK	APP	DESCRIPTION

DESIGNED BY
D. HOLMAN
DRAWN BY
J. LOPEZ
CHECKED BY
G. CAMPBELL
IN CHARGE
G. CAMPBELL
DATE
01/29/2021

RECORD SET
PEPD
SUBMITTAL

NOT FOR
CONSTRUCTION

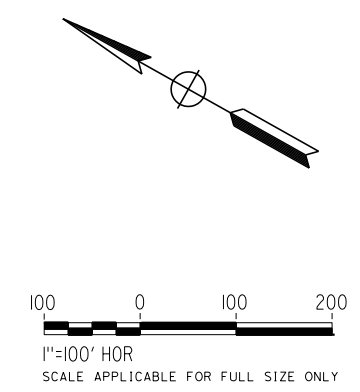


CALIFORNIA HIGH-SPEED RAIL PROJECT
BAKERSFIELD TO PALMDALE
COMPOSITE UTILITY PLANS
ALTERNATIVE 1,2,5
STA 19435+00 TO 19460+00

CONTRACT NO.
HSR13-44
DRAWING NO.
UT-C4267
SCALE
AS SHOWN
SHEET NO.
239



UTILITY INFORMATION				
#	FACILITY	SIZE	OWNER	DISPOSITION
1	NOT USED			
2	OH POWER	69KV	SCE TRANS	PROTECT IN PLACE
3	OH POWER	69KV	SCE TRANS	PROTECT IN PLACE
4	FIBER OPTIC	UNK	LEVEL 3	RELOCATE
5	FIBER OPTIC	UNK	LEVEL 3	RELOCATE
6	WATER	6"	TEHACHAPI CUMMINGS	PROTECT IN PLACE
7	OH POWER	69KV	SCE TRANS	RELOCATE

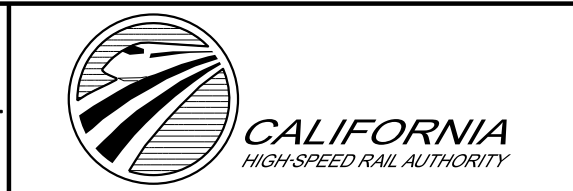


REV	DATE	BY	CHK	APP	DESCRIPTION

DESIGNED BY
D. HOLMAN
DRAWN BY
J. LOPEZ
CHECKED BY
G. CAMPBELL
IN CHARGE
G. CAMPBELL
DATE
01/29/2021

**RECORD SET
PEPD
SUBMITTAL**

**NOT FOR
CONSTRUCTION**



**CALIFORNIA HIGH-SPEED RAIL PROJECT
BAKERSFIELD TO PALMDALE**
COMPOSITE UTILITY PLANS
ALTERNATIVE 1,2,5
STA 19435+00 TO 19460+00

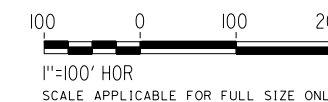
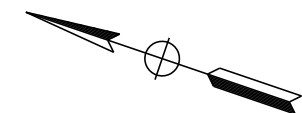
CONTRACT NO.
HSR13-44
DRAWING NO.
UT-C4268
SCALE
AS SHOWN
SHEET NO.
240

Projects\701206.00_CHSRBP\00_CADD\Sheet Files\UT\AI\1\BP-UT-C4269

1/23/2021 3:21:35 AM

ics_user_17609

MATCH LINE (UT-C4102)



UTILITY INFORMATION				
#	FACILITY	SIZE	OWNER	DISPOSITION
1	1ST LA AQUEDUCT	8'X10'	LADWP	PROTECT IN PLACE
2	2ND LA AQUEDUCT	10'X10'	LADWP	PROTECT IN PLACE
3	OH POWER	500KV	SCE TRANS	RELOCATE

REV	DATE	BY	CHK	APP	DESCRIPTION

DESIGNED BY
D. HOLMAN
DRAWN BY
J. LOPEZ
CHECKED BY
G. CAMPBELL
IN CHARGE
G. CAMPBELL
DATE
01/29/2021

**RECORD SET
PEPD
SUBMITTAL**

**NOT FOR
CONSTRUCTION**



**CALIFORNIA HIGH-SPEED RAIL PROJECT
BAKERSFIELD TO PALMDALE**
COMPOSITE UTILITY PLANS
ALTERNATIVE 1,2,5
STA 19810+00 TO 19835+00

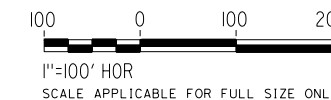
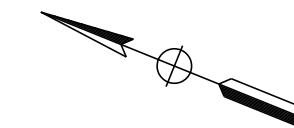
CONTRACT NO.
HSR13-44
DRAWING NO.
UT-C4269
SCALE
AS SHOWN
SHEET NO.
241

UTILITY INFORMATION				
#	FACILITY	SIZE	OWNER	DISPOSITION
1	OH POWER	500KV	SCE TRANS	RELOCATE



MATCH LINE (UT-C4271)

MATCH LINE (UT-C4103)



Projects\701206.00_CHSRBP\00_CADD\Sheet Files\UT\AI\1\BP-UT-C4270

1/23/2021 3:21:30 AM

jcs_user_17609

REV	DATE	BY	CHK	APP	DESCRIPTION

DESIGNED BY
D. HOLMAN
DRAWN BY
J. LOPEZ
CHECKED BY
G. CAMPBELL
IN CHARGE
G. CAMPBELL
DATE
01/29/2021

**RECORD SET
PEPD
SUBMITTAL**

**NOT FOR
CONSTRUCTION**



**CALIFORNIA HIGH-SPEED RAIL PROJECT
BAKERSFIELD TO PALMDALE**
COMPOSITE UTILITY PLANS
ALTERNATIVE 1,2,5
STA 19835+00 TO 19860+00

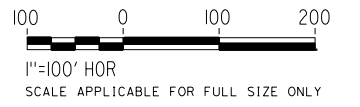
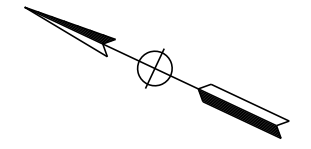
CONTRACT NO.
HSR13-44
DRAWING NO.
UT-C4270
SCALE
AS SHOWN
SHEET NO.
242

Projects\701206.00_CHSRBP\00_CADD\Sheet Files\UT\AI\1\BP-UT-C4271

1/23/2021 3:21:54 AM

ics_user_17609

UTILITY INFORMATION				
#	FACILITY	SIZE	OWNER	DISPOSITION
1	OH POWER	500KV	SCE TRANS	RELOCATE



REV	DATE	BY	CHK	APP	DESCRIPTION

DESIGNED BY
D. HOLMAN
DRAWN BY
J. LOPEZ
CHECKED BY
G. CAMPBELL
IN CHARGE
G. CAMPBELL
DATE
01/29/2021

**RECORD SET
PEPD
SUBMITTAL**

**NOT FOR
CONSTRUCTION**



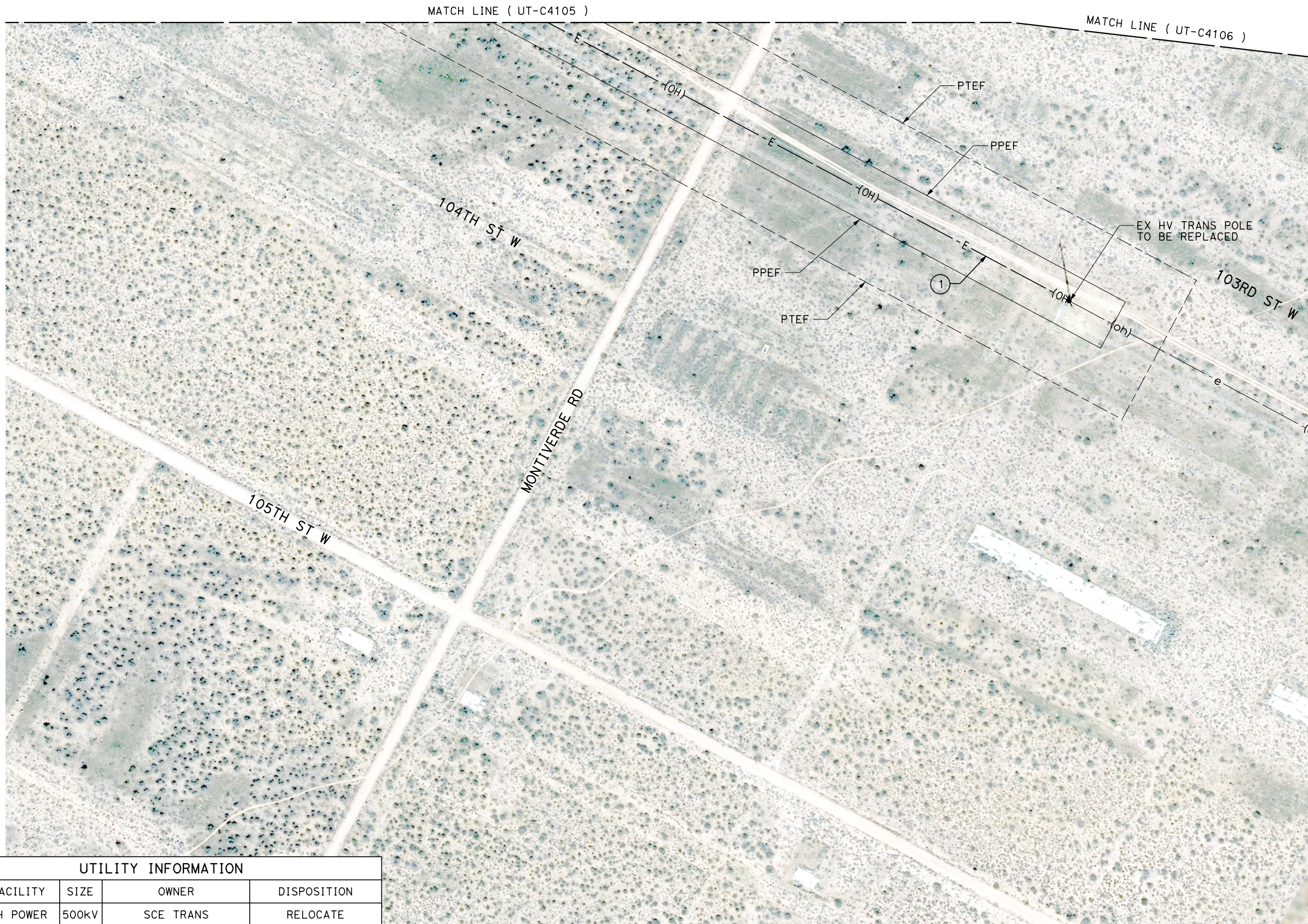
**CALIFORNIA HIGH-SPEED RAIL PROJECT
BAKERSFIELD TO PALMDALE**
COMPOSITE UTILITY PLANS
ALTERNATIVE 1,2,5
STA 19860+00 TO 19885+00

CONTRACT NO.
HSR13-44
DRAWING NO.
UT-C4271
SCALE
AS SHOWN
SHEET NO.
243

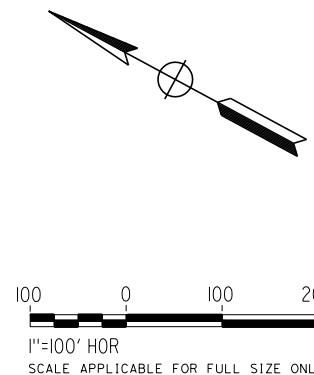
Projects\T01206.00_CHSRBP\00_CADD\Sheet Files\UT\AI\1\BP-UT-C4272

1/23/2021 3:22:06 AM

_ics_user_17609



UTILITY INFORMATION				
#	FACILITY	SIZE	OWNER	DISPOSITION
1	OH POWER	500kV	SCE TRANS	RELOCATE



REV	DATE	BY	CHK	APP	DESCRIPTION

DESIGNED BY
D. HOLMAN
DRAWN BY
J. LOPEZ
CHECKED BY
G. CAMPBELL
IN CHARGE
G. CAMPBELL
DATE
01/29/2021

**RECORD SET
PEPD
SUBMITTAL**

**NOT FOR
CONSTRUCTION**



**CALIFORNIA HIGH-SPEED RAIL PROJECT
BAKERSFIELD TO PALMDALE**
COMPOSITE UTILITY PLANS
ALTERNATIVE 1,2,5
STA 19885+00 TO 19910+00

CONTRACT NO.
HSR13-44
DRAWING NO.
UT-C4272
SCALE
AS SHOWN
SHEET NO.
244

Projects\701206.00_CHSRBP\00_CADD\Sheet Files\UT\AI\1\BP-UT-C4273

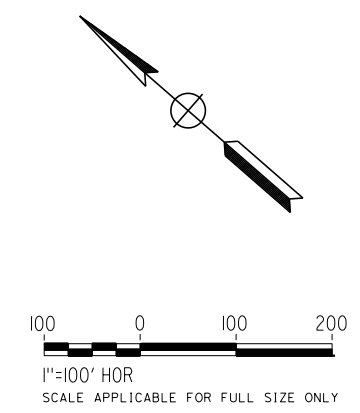
1/23/2021 3:21:39 AM

ics_user_17609

UTILITY INFORMATION				
#	FACILITY	SIZE	OWNER	DISPOSITION
1	TELECOM	UNK	VERIZON	PROTECT IN PLACE
2	OH POWER	220kV	NEXTERA	RELOCATE
3	OH POWER	69kV	SCE TRANS	PROTECT IN PLACE
4	FIBER OPTIC	UNK	LEVEL3	PROTECT IN PLACE



MATCH LINE (UT-C4109)



REV	DATE	BY	CHK	APP	DESCRIPTION

DESIGNED BY
D. HOLMAN
DRAWN BY
J. LOPEZ
CHECKED BY
G. CAMPBELL
IN CHARGE
G. CAMPBELL
DATE
01/29/2021

**RECORD SET
PEPD
SUBMITTAL**

**NOT FOR
CONSTRUCTION**

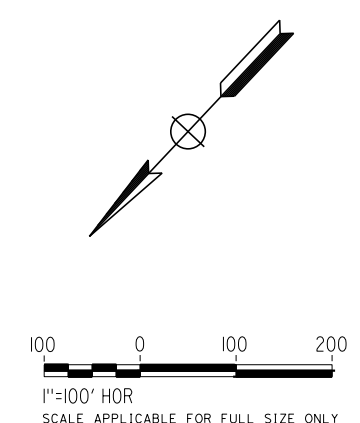


**CALIFORNIA HIGH-SPEED RAIL PROJECT
BAKERSFIELD TO PALMDALE**

COMPOSITE UTILITY PLANS
ALTERNATIVE 1,2,5
STA 19985+00 TO 20010+00

CONTRACT NO.
HSR13-44
DRAWING NO.
UT-C4273
SCALE
AS SHOWN
SHEET NO.
245

UTILITY INFORMATION				
#	FACILITY	SIZE	OWNER	DISPOSITION
1	OH POWER	500kV	LADWP	RELOCATE
2	OH POWER	500kV	LADWP	RELOCATE



Projects\701206.00_CHSRBP\00_CADD\Sheet Files\UT\AI\1\BP-UT-C4274

1/23/2021 3:22:18 AM

jcs_user_17609

REV	DATE	BY	CHK	APP	DESCRIPTION

DESIGNED BY
D. HOLMAN

DRAWN BY
J. LOPEZ

CHECKED BY
G. CAMPBELL

IN CHARGE
G. CAMPBELL

DATE
01/29/2021

RECORD SET
PEPD
SUBMITTAL

NOT FOR
CONSTRUCTION



CALIFORNIA HIGH-SPEED RAIL PROJECT
BAKERSFIELD TO PALMDALE
COMPOSITE UTILITY PLANS
ALTERNATIVE 1,2,3,5
STA 20010+00 TO 20035+00

CONTRACT NO.
HSR13-44

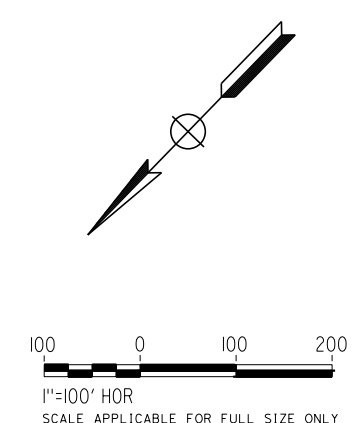
DRAWING NO.
UT-C4274

SCALE
AS SHOWN

SHEET NO.
246



UTILITY INFORMATION				
#	FACILITY	SIZE	OWNER	DISPOSITION
1	OH POWER	500kV	LADWP	RELOCATE
2	OH POWER	500kV	LADWP	RELOCATE



REV	DATE	BY	CHK	APP	DESCRIPTION

DESIGNED BY
D. HOLMAN
DRAWN BY
J. LOPEZ
CHECKED BY
G. CAMPBELL
IN CHARGE
G. CAMPBELL
DATE
01/29/2021

**RECORD SET
PEPD
SUBMITTAL**

**NOT FOR
CONSTRUCTION**



**CALIFORNIA HIGH-SPEED RAIL PROJECT
BAKERSFIELD TO PALMDALE**
COMPOSITE UTILITY PLANS
ALTERNATIVE 1,2,3,5
STA 20035+00 TO 20060+00

CONTRACT NO.
HSR13-44
DRAWING NO.
UT-C4275
SCALE
AS SHOWN
SHEET NO.
247

Projects\701206.00_CHSRBP\00_CADD\Sheet Files\UT\A1\T2 (Edison A)\BP-UT-C4301

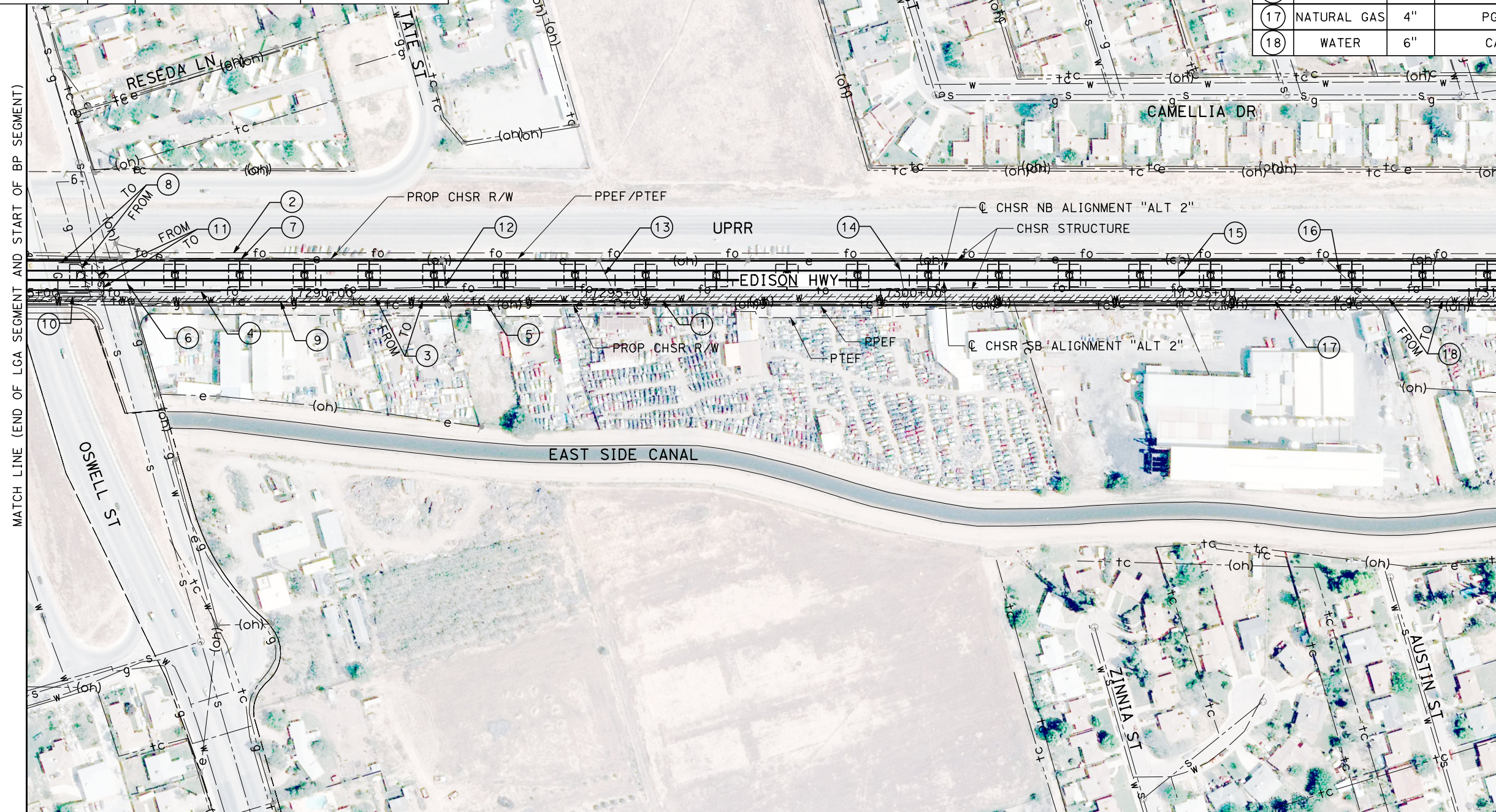
1/20/2021 4:38:40 AM

ics_user_17609

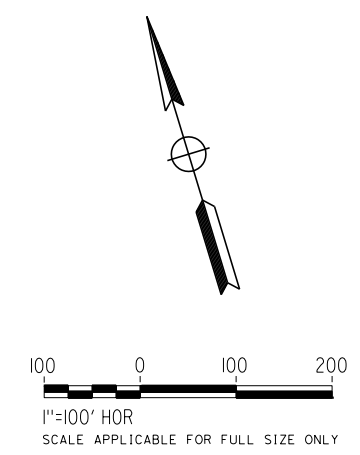
UTILITY INFORMATION				
#	FACILITY	SIZE	OWNER	DISPOSITION
1	OH TELECOM	UNK	AT&T DIST	RELOCATE
2	FIBER OPTIC	UNK	LEVEL 3	PROTECT IN PLACE
3	WATER	12"	CALWATER	RELOCATE
4	FIBER OPTIC	UNK	AT&T TRANS	RELOCATE
5	TELECOM	UNK	BRIGHTHOUSE	PROTECT IN PLACE
6	OH POWER	21kV	PG&E DIST	RELOCATE
7	OH POWER	12kV	PG&E DIST	RELOCATE
8	NATURAL GAS	6"	PG&E DIST	RELOCATE

UTILITY INFORMATION CONT.				
#	FACILITY	SIZE	OWNER	DISPOSITION
9	NATURAL GAS	3"	PG&E DIST	PROTECT IN PLACE
10	SEWER	8"	COUNTY OF KERN	PROTECT IN PLACE
11	SEWER	15"	COUNTY OF KERN	RELOCATE
12	OH POWER	12kV	PG&E DIST	RELOCATE
13	OH POWER	12kV	PG&E DIST	RELOCATE
14	OH POWER	12kV	PG&E DIST	RELOCATE
15	OH POWER	12kV	PG&E DIST	RELOCATE
16	OH POWER	12kV	PG&E DIST	RELOCATE
17	NATURAL GAS	4"	PG&E DIST	PROTECT IN PLACE
18	WATER	6"	CALWATER	RELOCATE

BEGIN ALTERNATIVE 2



MATCH LINE (UT-C4302)



REV	DATE	BY	CHK	APP	DESCRIPTION

DESIGNED BY
D. HOLMAN
DRAWN BY
J. LOPEZ
CHECKED BY
G. CAMPBELL
IN CHARGE
G. CAMPBELL
DATE
01/29/2021

**RECORD SET
PEPD
SUBMITTAL**

**NOT FOR
CONSTRUCTION**



**CALIFORNIA HIGH-SPEED RAIL PROJECT
BAKERSFIELD TO PALMDALE**
COMPOSITE UTILITY PLANS
ALTERNATIVE 2
STA 17285+00 TO 17310+00

CONTRACT NO.
HSR13-44
DRAWING NO.
UT-C4301
SCALE
AS SHOWN
SHEET NO.
248

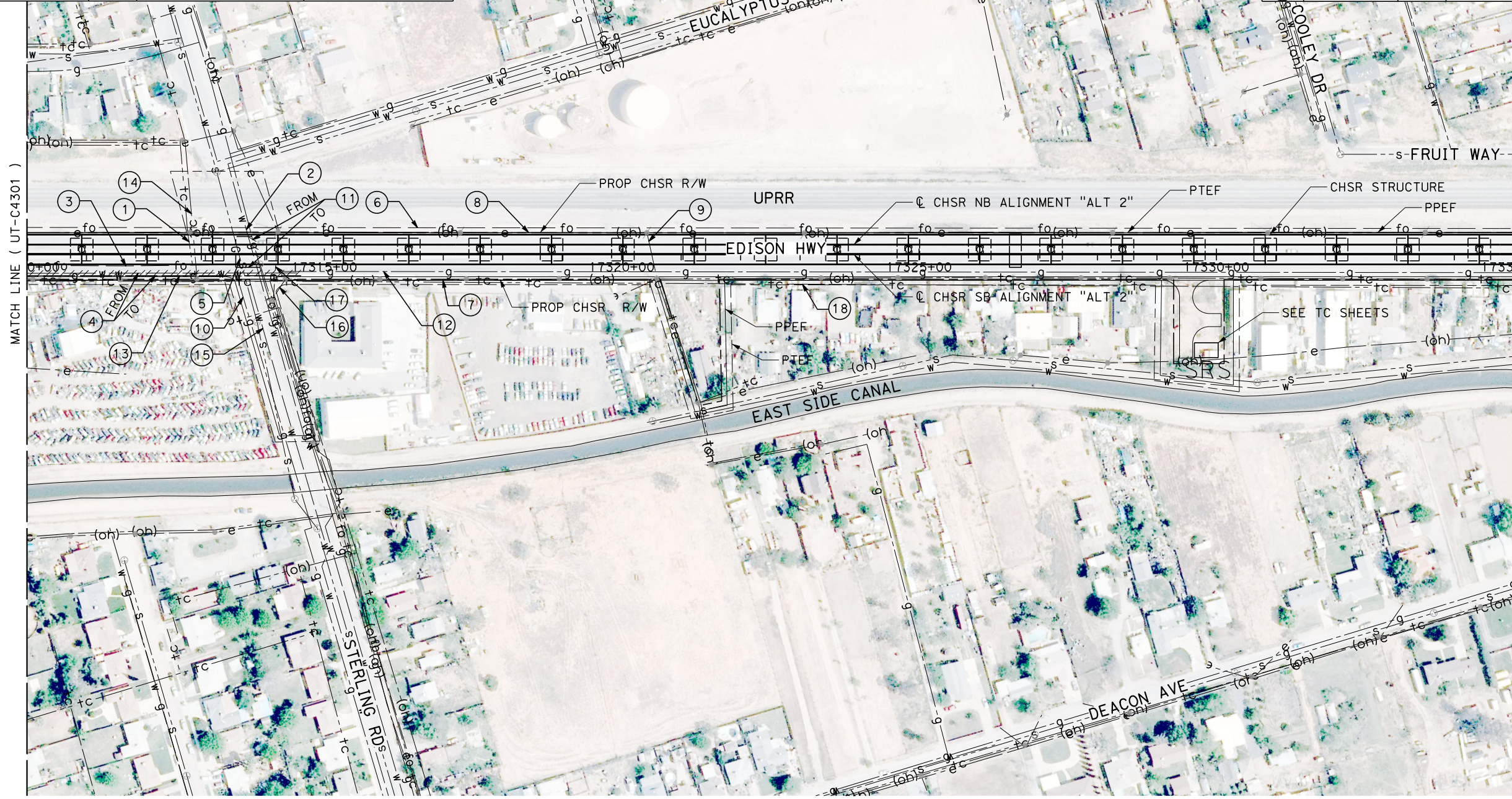
Projects\701206.00_CHSRBP\00_CADD\Sheet_Files\UT\Alt2 (Edison A)\BP-UT-C4302

1/20/2021 4:36:44 AM

jcs_user_17609

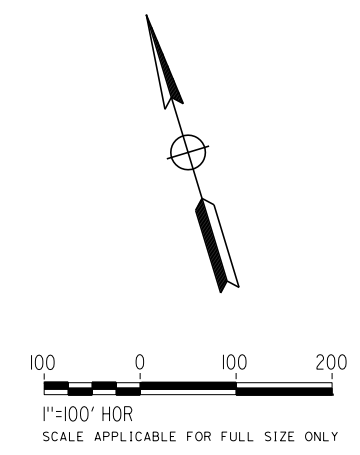
UTILITY INFORMATION				
#	FACILITY	SIZE	OWNER	DISPOSITION
1	TELECOM	UNK	BRIGHTHOUSE	RELOCATE
2	WATER	14"	ENCSD	PROTECT IN PLACE
3	FIBER OPTIC	UNK	AT&T TRANS	RELOCATE
4	WATER	6"	CALWATER	RELOCATE
5	SEWER	10"	ENCSD	PROTECT IN PLACE
6	FIBER OPTIC	UNK	SPRINT, LEVEL 3	PROTECT IN PLACE
7	OH TELECOM	UNK	BRIGHTHOUSE	PROTECT IN PLACE
8	OH POWER	12kV	PG&E DIST	RELOCATE
9	OH POWER	12kV	PG&E DIST	RELOCATE

UTILITY INFORMATION CONT.				
#	FACILITY	SIZE	OWNER	DISPOSITION
10	NATURAL GAS	6"	PG&E DIST	PROTECT IN PLACE
11	NATURAL GAS	3"	PG&E DIST	RELOCATE
12	NATURAL GAS	3"	PG&E DIST	PROTECT IN PLACE
13	NATURAL GAS	4"	PG&E DIST	PROTECT IN PLACE
14	TELECOM	UNK	AT&T DIST	RELOCATE
15	WATER	8"	CALWATER	PROTECT IN PLACE
16	OH TELECOM	UNK	BRIGHTHOUSE	RELOCATE
17	OH POWER	21kV	PG&E DIST	RELOCATE
18	OH TELECOM	UNK	PAC BELL	PROTECT IN PLACE



MATCH LINE (UT-C4301)

MATCH LINE (UT-C4303)



REV	DATE	BY	CHK	APP	DESCRIPTION

DESIGNED BY
D. HOLMAN

DRAWN BY
J. LOPEZ

CHECKED BY
G. CAMPBELL

IN CHARGE
G. CAMPBELL

DATE
01/29/2021

RECORD SET
PEPD
SUBMITTAL

NOT FOR
CONSTRUCTION



CALIFORNIA HIGH-SPEED RAIL PROJECT
BAKERSFIELD TO PALMDALE
COMPOSITE UTILITY PLANS
ALTERNATIVE 2
STA 17310+00 TO 17335+00

CONTRACT NO.
HSR13-44

DRAWING NO.
UT-C4302

SCALE
AS SHOWN

SHEET NO.
249

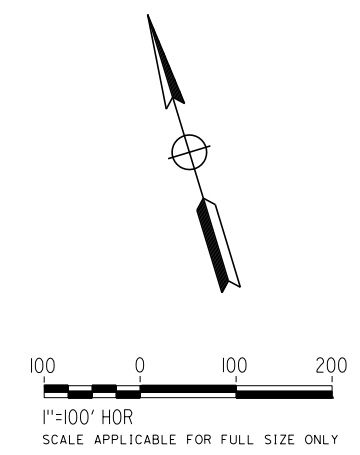
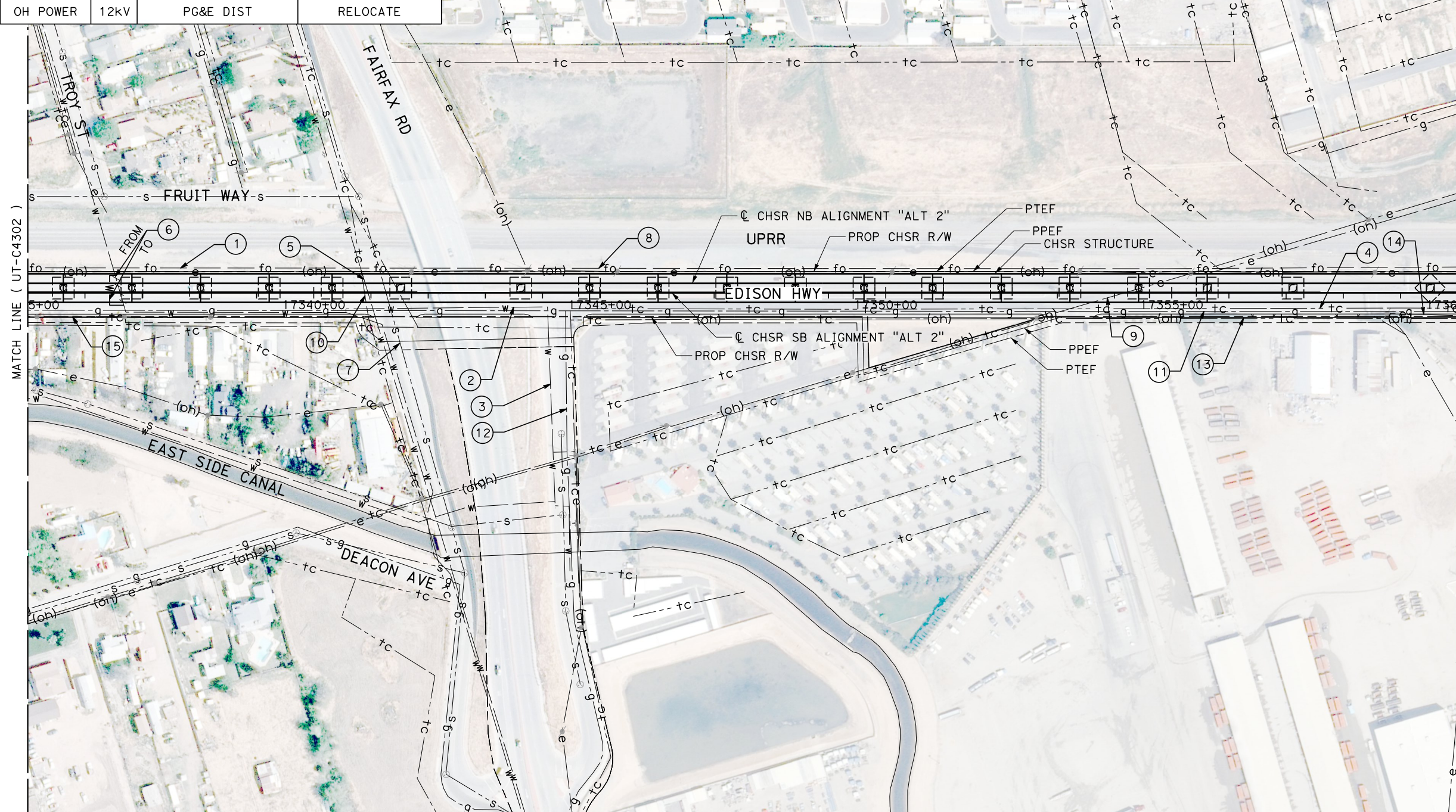
Projects\701206.00_CHSRBP\00_CADD\Sheet Files\UT\Alt2 (Edison A)\BP-UT-C4303

1/20/2021 4:44:44 AM

ics_user_17609

UTILITY INFORMATION				
#	FACILITY	SIZE	OWNER	DISPOSITION
1	FIBER OPTIC	UNK	SPRINT, LEVEL 3	PROTECT IN PLACE
2	WATER	10"	ENCSD	RELOCATE
3	WATER	8"	ENCSD	PROTECT IN PLACE
4	TELECOM	UNK	AT&T DIST	RELOCATE
5	WATER	12"	ENCSD	PROTECT IN PLACE
6	WATER	4"	ENCSD	RELOCATE
7	SEWER	18"	ENCSD	PROTECT IN PLACE
8	OH POWER	12kV	PG&E DIST	RELOCATE

UTILITY INFORMATION CONT.				
#	FACILITY	SIZE	OWNER	DISPOSITION
9	OH POWER	21kV	PG&E DIST	RELOCATE
10	TELECOM	UNK	AT&T DIST	PROTECT IN PLACE
11	NATURAL GAS	3"	PG&E DIST	PROTECT IN PLACE
12	NATURAL GAS	4"	PG&E DIST	PROTECT IN PLACE
13	OH TELECOM	UNK	AT&T DIST	RELOCATE
14	OH POWER	12kV	PG&E DIST	RELOCATE
15	OH TELECOM	UNK	BRIGHTHOUSE	PROTECT IN PLACE



REV	DATE	BY	CHK	APP	DESCRIPTION

DESIGNED BY
D. HOLMAN
DRAWN BY
J. LOPEZ
CHECKED BY
G. CAMPBELL
IN CHARGE
G. CAMPBELL
DATE
01/29/2021

**RECORD SET
PEPD
SUBMITTAL**

**NOT FOR
CONSTRUCTION**



**CALIFORNIA HIGH-SPEED RAIL PROJECT
BAKERSFIELD TO PALMDALE**
COMPOSITE UTILITY PLANS
ALTERNATIVE 2
STA 17335+00 TO 17360+00

CONTRACT NO.
HSR13-44
DRAWING NO.
UT-C4303
SCALE
AS SHOWN
SHEET NO.
250

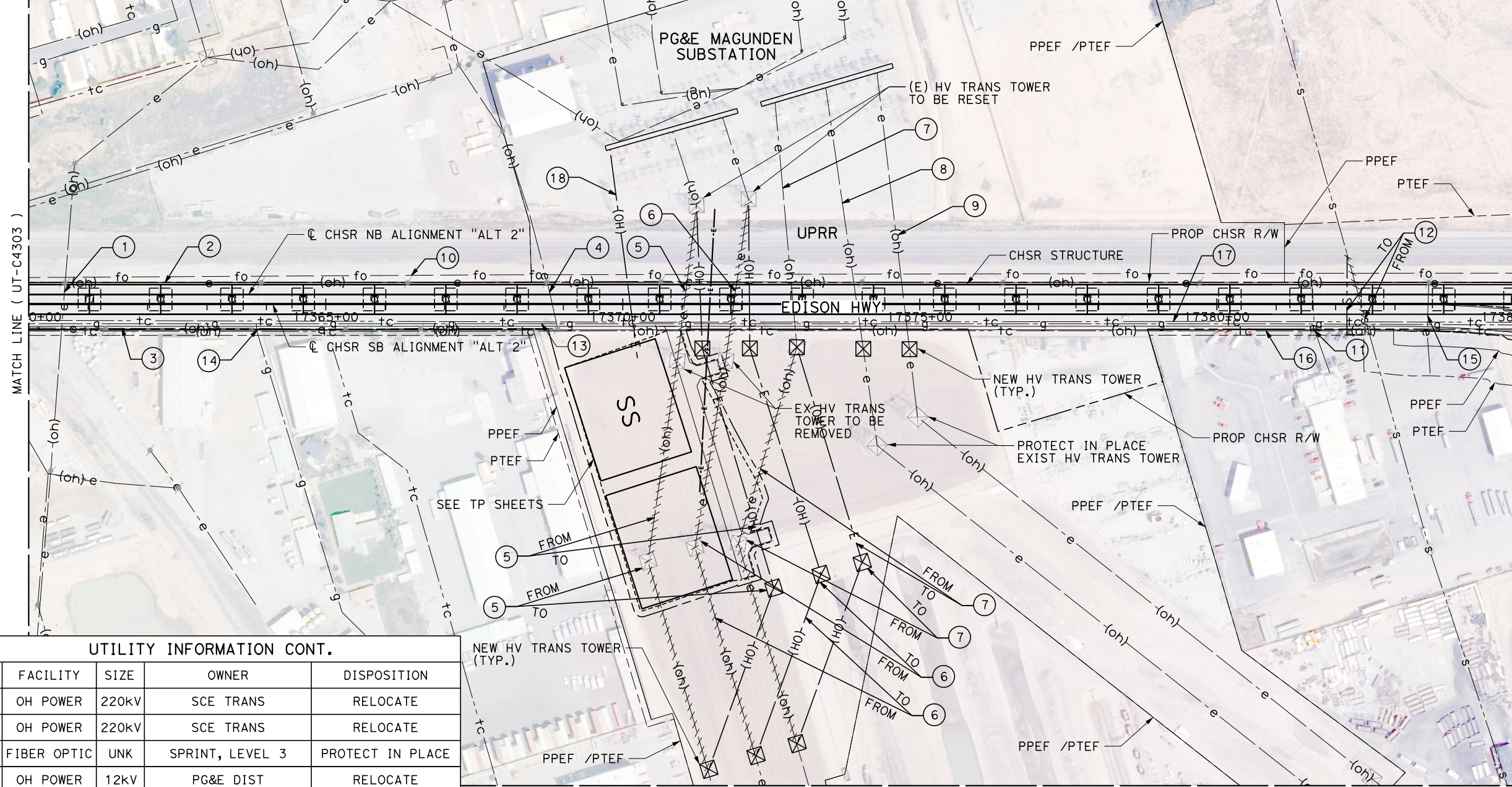
Projects\701206.00_CHSRBP\00_CADD\Sheet Files\UT\Alt2 (Edison A)\BP-UT-C4304

1/20/2021 4:45:37 AM

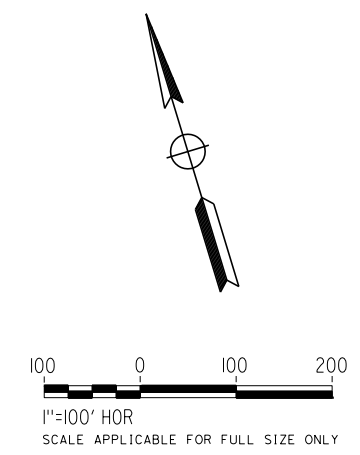
ics_user_17609

UTILITY INFORMATION				
#	FACILITY	SIZE	OWNER	DISPOSITION
1	OH POWER	115 kV	PG&E TRANS	RELOCATE
2	OH POWER	12kV	PG&E DIST	RELOCATE
3	OH POWER	21kV	PG&E DIST	RELOCATE
4	OH POWER	21kV	PG&E DIST	RELOCATE
5	OH POWER	220kV	SCE TRANS	RELOCATE
6	OH POWER	220kV	SCE TRANS	RELOCATE
7	OH POWER	220kV	SCE TRANS	RELOCATE

UTILITY INFORMATION CONT.				
#	FACILITY	SIZE	OWNER	DISPOSITION
14	NATURAL GAS	2"	PG&E DIST	PROTECT IN PLACE
15	OH POWER	12kV	PG&E DIST	RELOCATE
16	OH TELECOM	UNK	AT&T DIST	RELOCATE
17	TELECOM	UNK	AT&T DIST	RELOCATE
18	TP ELEC SERVICE	115kV	CHSR	NEW



UTILITY INFORMATION CONT.				
#	FACILITY	SIZE	OWNER	DISPOSITION
8	OH POWER	220kV	SCE TRANS	RELOCATE
9	OH POWER	220kV	SCE TRANS	RELOCATE
10	FIBER OPTIC	UNK	SPRINT, LEVEL 3	PROTECT IN PLACE
11	OH POWER	12kV	PG&E DIST	RELOCATE
12	SEWER	21"	ENCSD	RELOCATE
13	NATURAL GAS	3"	PG&E DIST	PROTECT IN PLACE



REV	DATE	BY	CHK	APP	DESCRIPTION

DESIGNED BY
D. HOLMAN
DRAWN BY
J. LOPEZ
CHECKED BY
G. CAMPBELL
IN CHARGE
G. CAMPBELL
DATE
01/29/2021

**RECORD SET
PEPD
SUBMITTAL**

**NOT FOR
CONSTRUCTION**



**CALIFORNIA HIGH-SPEED RAIL PROJECT
BAKERSFIELD TO PALMDALE**
COMPOSITE UTILITY PLANS
ALTERNATIVE 2
STA 17360+00 TO 17385+00

CONTRACT NO.
HSR13-44
DRAWING NO.
UT-C4304
SCALE
AS SHOWN
SHEET NO.
251

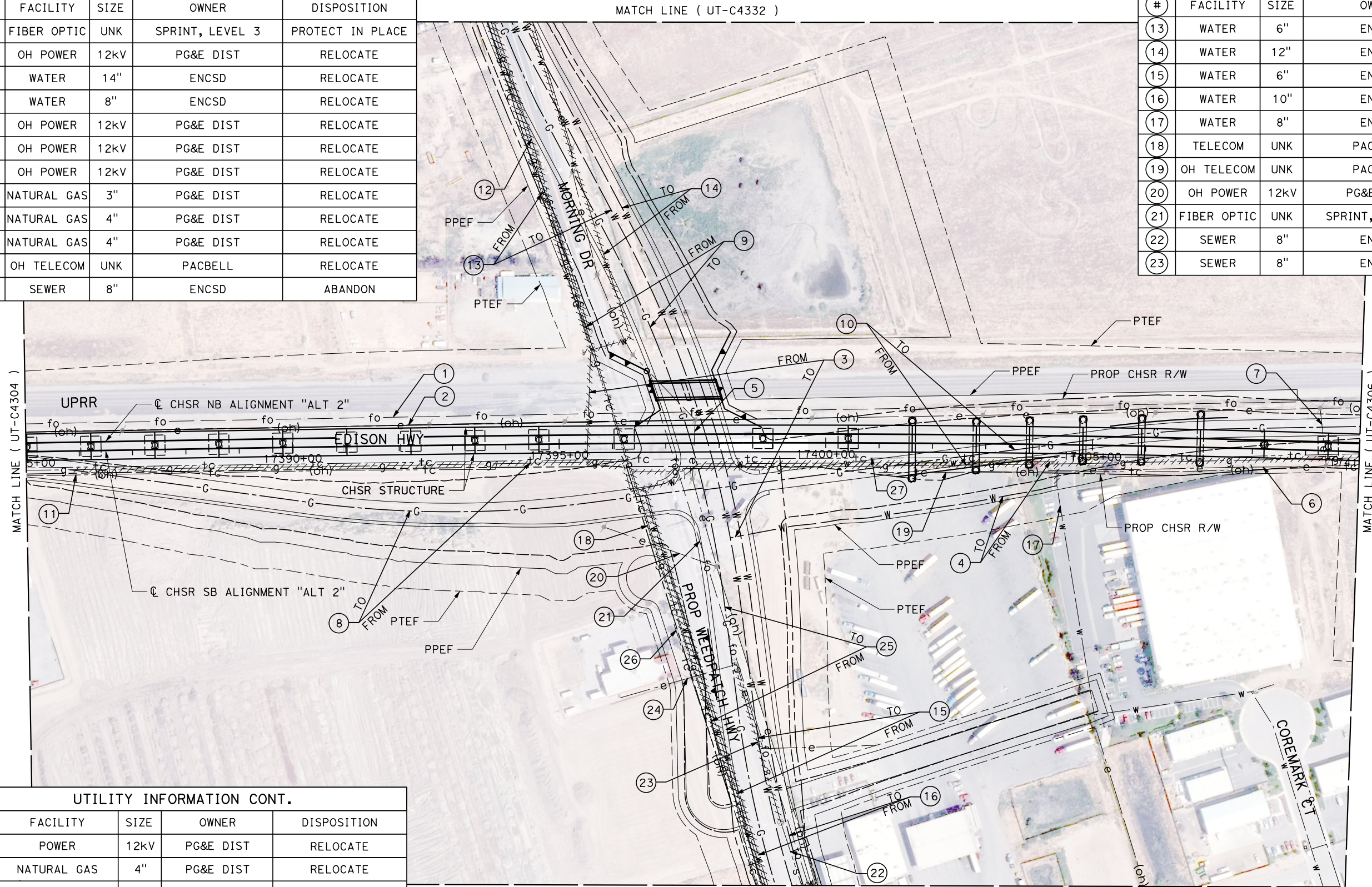
Projects\701206.00_CHSRBP\00_CADD\Sheet Files\UT\1\12 (Edison A)\BP-UT-C4305

4:45:07D/2021 4:45:08 AM

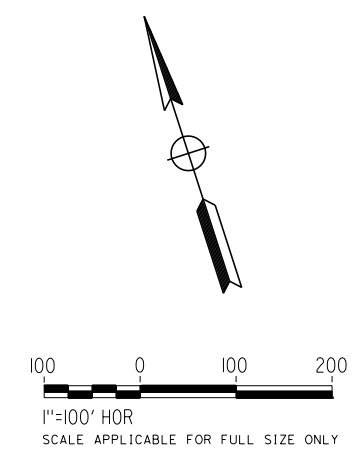
ics_user_17609

UTILITY INFORMATION				
#	FACILITY	SIZE	OWNER	DISPOSITION
1	FIBER OPTIC	UNK	SPRINT, LEVEL 3	PROTECT IN PLACE
2	OH POWER	12kV	PG&E DIST	RELOCATE
3	WATER	14"	ENCSD	RELOCATE
4	WATER	8"	ENCSD	RELOCATE
5	OH POWER	12kV	PG&E DIST	RELOCATE
6	OH POWER	12kV	PG&E DIST	RELOCATE
7	OH POWER	12kV	PG&E DIST	RELOCATE
8	NATURAL GAS	3"	PG&E DIST	RELOCATE
9	NATURAL GAS	4"	PG&E DIST	RELOCATE
10	NATURAL GAS	4"	PG&E DIST	RELOCATE
11	OH TELECOM	UNK	PACBELL	RELOCATE
12	SEWER	8"	ENCSD	ABANDON

UTILITY INFORMATION CONT.				
#	FACILITY	SIZE	OWNER	DISPOSITION
13	WATER	6"	ENCSD	RELOCATE
14	WATER	12"	ENCSD	RELOCATE
15	WATER	6"	ENCSD	RELOCATE
16	WATER	10"	ENCSD	RELOCATE
17	WATER	8"	ENCSD	PROTECT IN PLACE
18	TELECOM	UNK	PACBELL	RELOCATE
19	OH TELECOM	UNK	PACBELL	RELOCATE
20	OH POWER	12kV	PG&E DIST	RELOCATE
21	FIBER OPTIC	UNK	SPRINT, LEVEL 3	RELOCATE
22	SEWER	8"	ENCSD	PROTECT IN PLACE
23	SEWER	8"	ENCSD	ABANDON



UTILITY INFORMATION CONT.				
#	FACILITY	SIZE	OWNER	DISPOSITION
24	POWER	12kV	PG&E DIST	RELOCATE
25	NATURAL GAS	4"	PG&E DIST	RELOCATE
26	OH TELECOM	UNK	PACBELL	RELOCATE
27	TELECOM	UNK	PACBELL	RELOCATE



REV	DATE	BY	CHK	APP	DESCRIPTION

DESIGNED BY
D. HOLMAN
DRAWN BY
J. LOPEZ
CHECKED BY
G. CAMPBELL
IN CHARGE
G. CAMPBELL
DATE
01/29/2021

**RECORD SET
PEPD
SUBMITTAL**

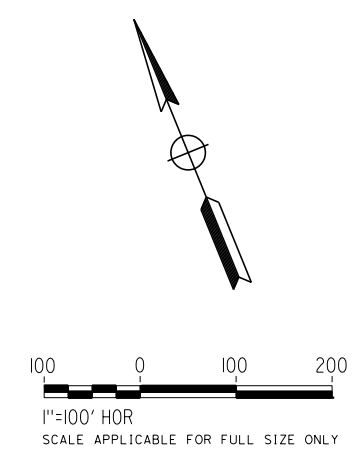
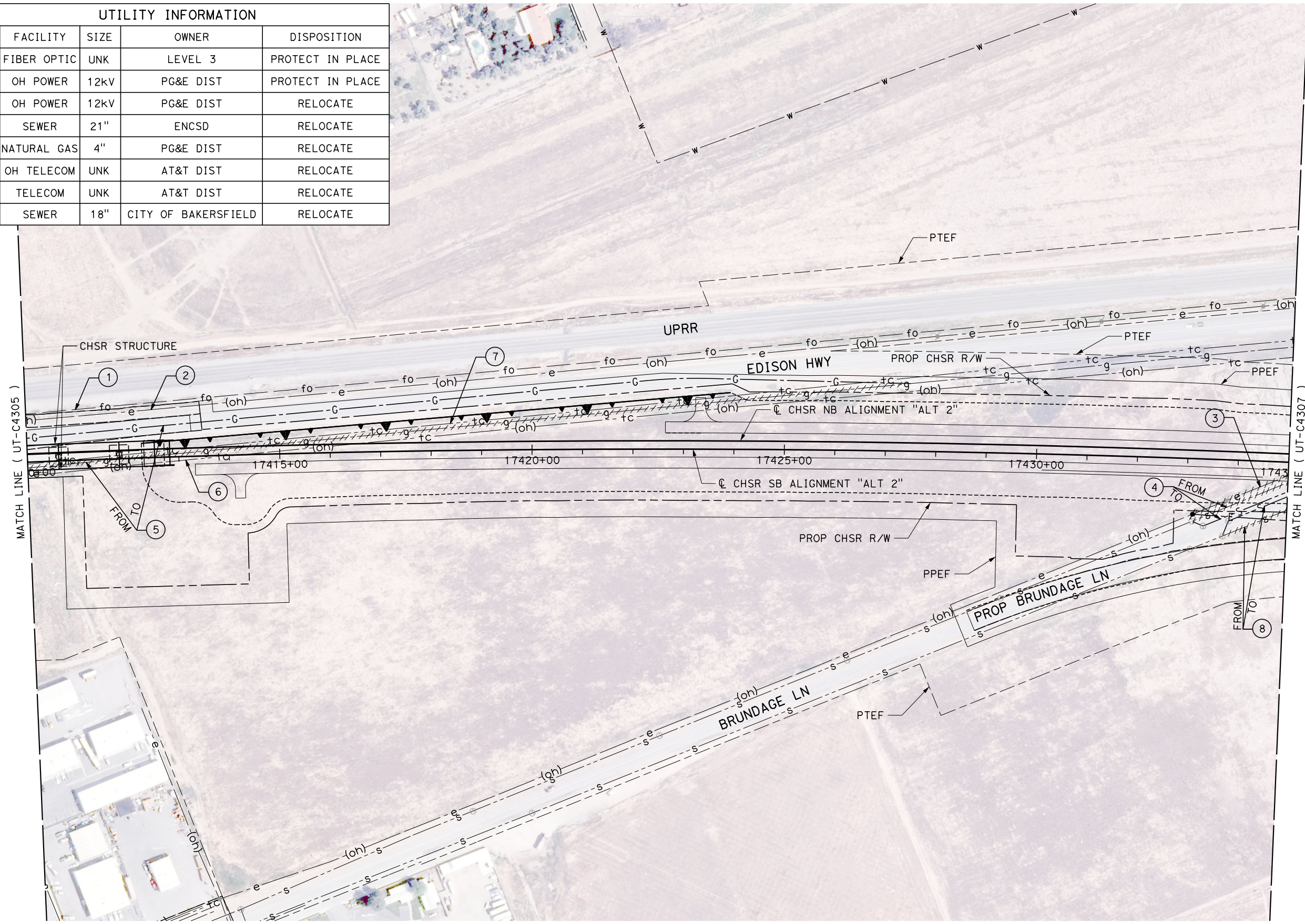
**NOT FOR
CONSTRUCTION**



**CALIFORNIA HIGH-SPEED RAIL PROJECT
BAKERSFIELD TO PALMDALE**
COMPOSITE UTILITY PLANS
ALTERNATIVE 2
STA 17385+00 TO 17410+00

CONTRACT NO.
HSR13-44
DRAWING NO.
UT-C4305
SCALE
AS SHOWN
SHEET NO.
252

UTILITY INFORMATION				
#	FACILITY	SIZE	OWNER	DISPOSITION
1	FIBER OPTIC	UNK	LEVEL 3	PROTECT IN PLACE
2	OH POWER	12kV	PG&E DIST	PROTECT IN PLACE
3	OH POWER	12kV	PG&E DIST	RELOCATE
4	SEWER	21"	ENCSD	RELOCATE
5	NATURAL GAS	4"	PG&E DIST	RELOCATE
6	OH TELECOM	UNK	AT&T DIST	RELOCATE
7	TELECOM	UNK	AT&T DIST	RELOCATE
8	SEWER	18"	CITY OF BAKERSFIELD	RELOCATE



1/20/2021 4:45:56 AM
 Projects\701206.00_CHSRBP\00_CADD\Sheet Files\UT\1\12 (Edison A)\BP-UT-C4306
 jcs_user_17609

REV	DATE	BY	CHK	APP	DESCRIPTION

DESIGNED BY
D. HOLMAN
 DRAWN BY
J. LOPEZ
 CHECKED BY
G. CAMPBELL
 IN CHARGE
G. CAMPBELL
 DATE
01/29/2021

RECORD SET
PEPD
SUBMITTAL

NOT FOR
CONSTRUCTION



CALIFORNIA HIGH-SPEED RAIL PROJECT
BAKERSFIELD TO PALMDALE
 COMPOSITE UTILITY PLANS
 ALTERNATIVE 2
 STA 17410+00 TO 17435+00

CONTRACT NO.
 HSR13-44
 DRAWING NO.
 UT-C4306
 SCALE
 AS SHOWN
 SHEET NO.
 253

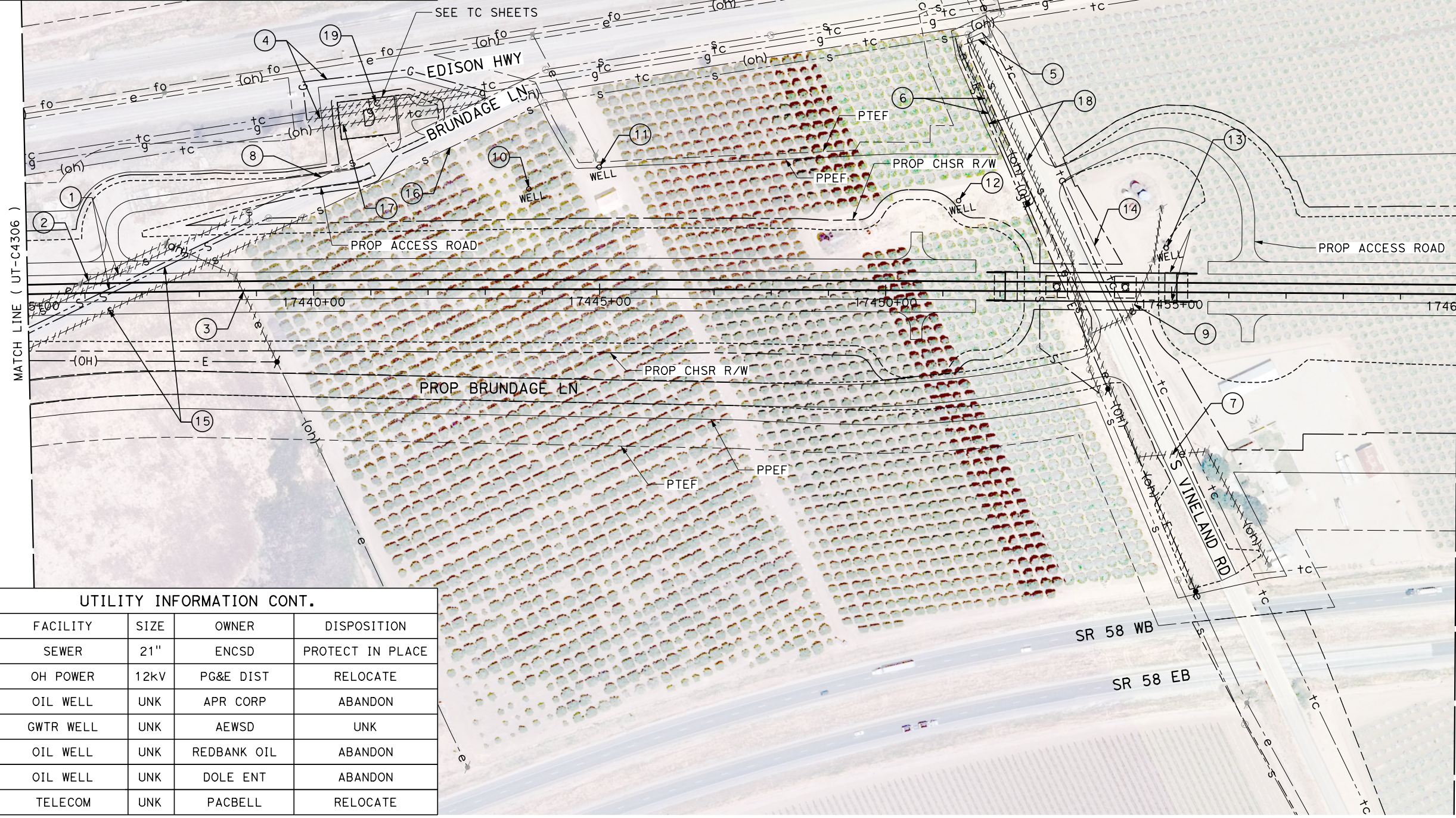
Projects\701206.00_CHSRBP\00_CADD\Sheet Files\UT\1\12 (Edison A)\BP-UT-C4307

1/20/2021 4:39:12 AM

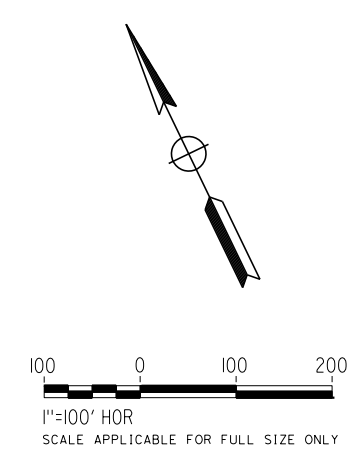
ics_user_17609

UTILITY INFORMATION				
#	FACILITY	SIZE	OWNER	DISPOSITION
1	SEWER	21"	ENCSD	RELOCATE
2	OH POWER	12KV	PG&E DIST	RELOCATE
3	OH POWER	12KV	PG&E DIST	RELOCATE
4	NATURAL GAS	4"	PG&E DIST	RELOCATE
5	OH POWER	12KV	PG&E DIST	PROTECT IN PLACE
6	OH POWER	12KV	PG&E DIST	RELOCATE
7	OH POWER	12KV	PG&E DIST	PROTECT IN PLACE

UTILITY INFORMATION CONT.				
#	FACILITY	SIZE	OWNER	DISPOSITION
15	SEWER	18"	CITY OF BAKERSFIELD	RELOCATE
16	SEWER	UNK	CITY OF BAKERSFIELD	PROTECT IN PLACE
17	OH TELECOM	UNK	PACBELL	RELOCATE
18	SEWER	36"	CITY OF BAKERSFIELD	RELOCATE
19	TELECOM	UNK	PACBELL	RELOCATE



UTILITY INFORMATION CONT.				
#	FACILITY	SIZE	OWNER	DISPOSITION
8	SEWER	21"	ENCSD	PROTECT IN PLACE
9	OH POWER	12KV	PG&E DIST	RELOCATE
10	OIL WELL	UNK	APR CORP	ABANDON
11	GWTR WELL	UNK	AEWSD	UNK
12	OIL WELL	UNK	REDBANK OIL	ABANDON
13	OIL WELL	UNK	DOLE ENT	ABANDON
14	TELECOM	UNK	PACBELL	RELOCATE



REV	DATE	BY	CHK	APP	DESCRIPTION

DESIGNED BY
D. HOLMAN

DRAWN BY
J. LOPEZ

CHECKED BY
G. CAMPBELL

IN CHARGE
G. CAMPBELL

DATE
01/29/2021

**RECORD SET
PEPD
SUBMITTAL**

**NOT FOR
CONSTRUCTION**



**CALIFORNIA HIGH-SPEED RAIL PROJECT
BAKERSFIELD TO PALMDALE**

COMPOSITE UTILITY PLANS
ALTERNATIVE 2
STA 17435+00 TO 17460+00

CONTRACT NO.
HSR13-44

DRAWING NO.
UT-C4307

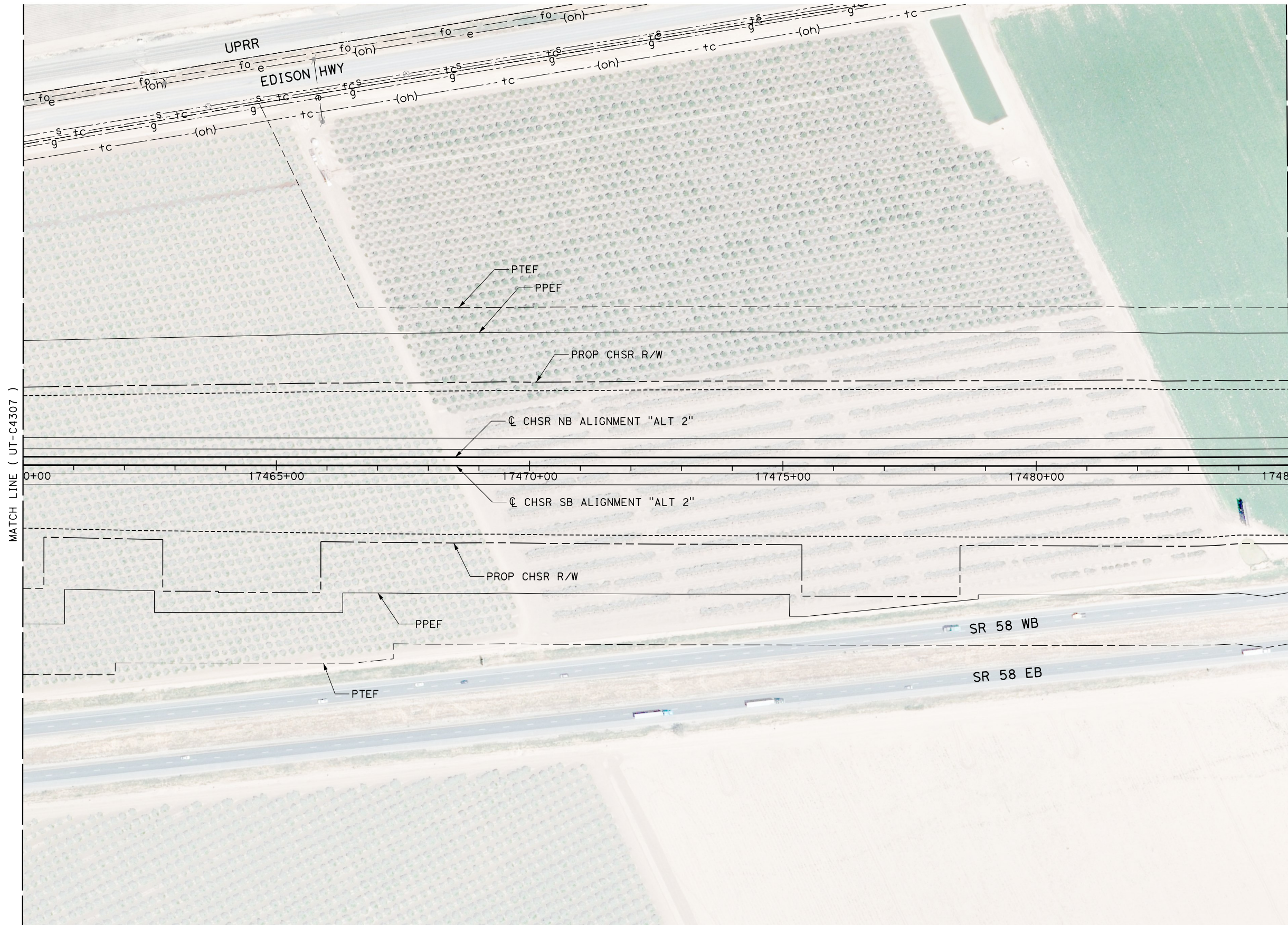
SCALE
AS SHOWN

SHEET NO.
254

Projects\701206.00_CHSRBP\00_CADD\Sheet Files\UT\Alt2 (Edison A)\BP-UT-C4308

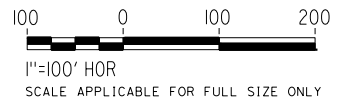
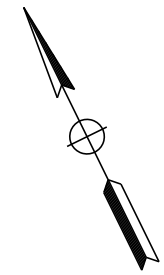
1/20/2021 4:37:10 AM

ics_user_17609



MATCH LINE (UT-C4307)

MATCH LINE (UT-C4309)



REV	DATE	BY	CHK	APP	DESCRIPTION

DESIGNED BY
D. HOLMAN
DRAWN BY
J. LOPEZ
CHECKED BY
G. CAMPBELL
IN CHARGE
G. CAMPBELL
DATE
01/29/2021

**RECORD SET
PEPD
SUBMITTAL**

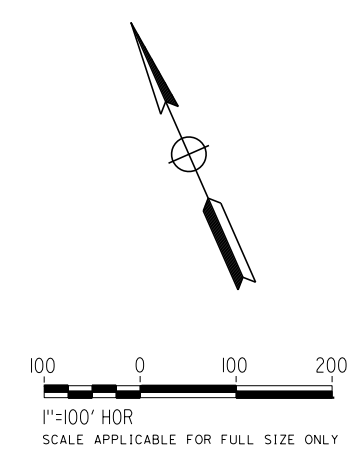
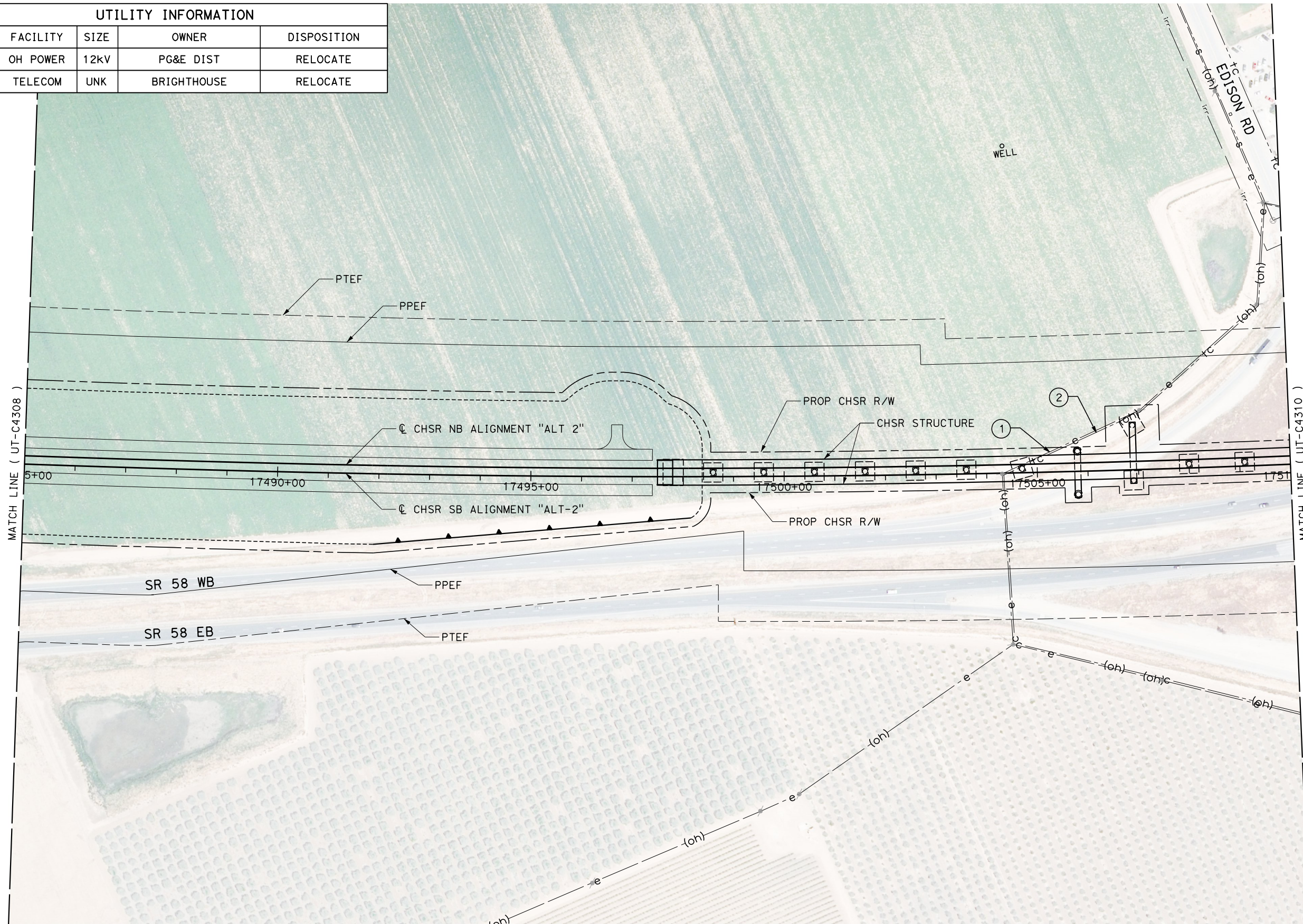
**NOT FOR
CONSTRUCTION**



**CALIFORNIA HIGH-SPEED RAIL PROJECT
BAKERSFIELD TO PALMDALE**
COMPOSITE UTILITY PLANS
ALTERNATIVE 2
STA 17460+00 TO 17485+00

CONTRACT NO.
HSR13-44
DRAWING NO.
UT-C4308
SCALE
AS SHOWN
SHEET NO.
255

UTILITY INFORMATION				
#	FACILITY	SIZE	OWNER	DISPOSITION
1	OH POWER	12KV	PG&E DIST	RELOCATE
2	TELECOM	UNK	BRIGHTHOUSE	RELOCATE



1/20/2021 4:45:30 AM
 Projects\701206.00_CHSRBP\00_CADD\Sheet Files\UT\A1\2 (Edison A)\BP-UT-C4309
 jcs_user_17609

REV	DATE	BY	CHK	APP	DESCRIPTION

DESIGNED BY
D. HOLMAN
 DRAWN BY
J. LOPEZ
 CHECKED BY
G. CAMPBELL
 IN CHARGE
G. CAMPBELL
 DATE
01/29/2021

RECORD SET
PEPD
SUBMITTAL

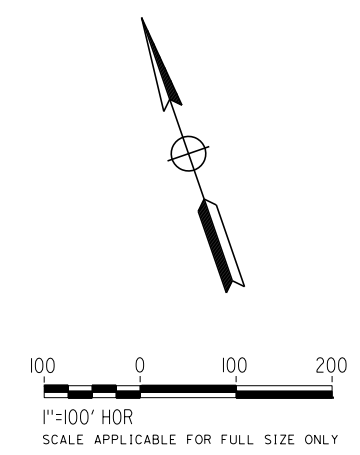
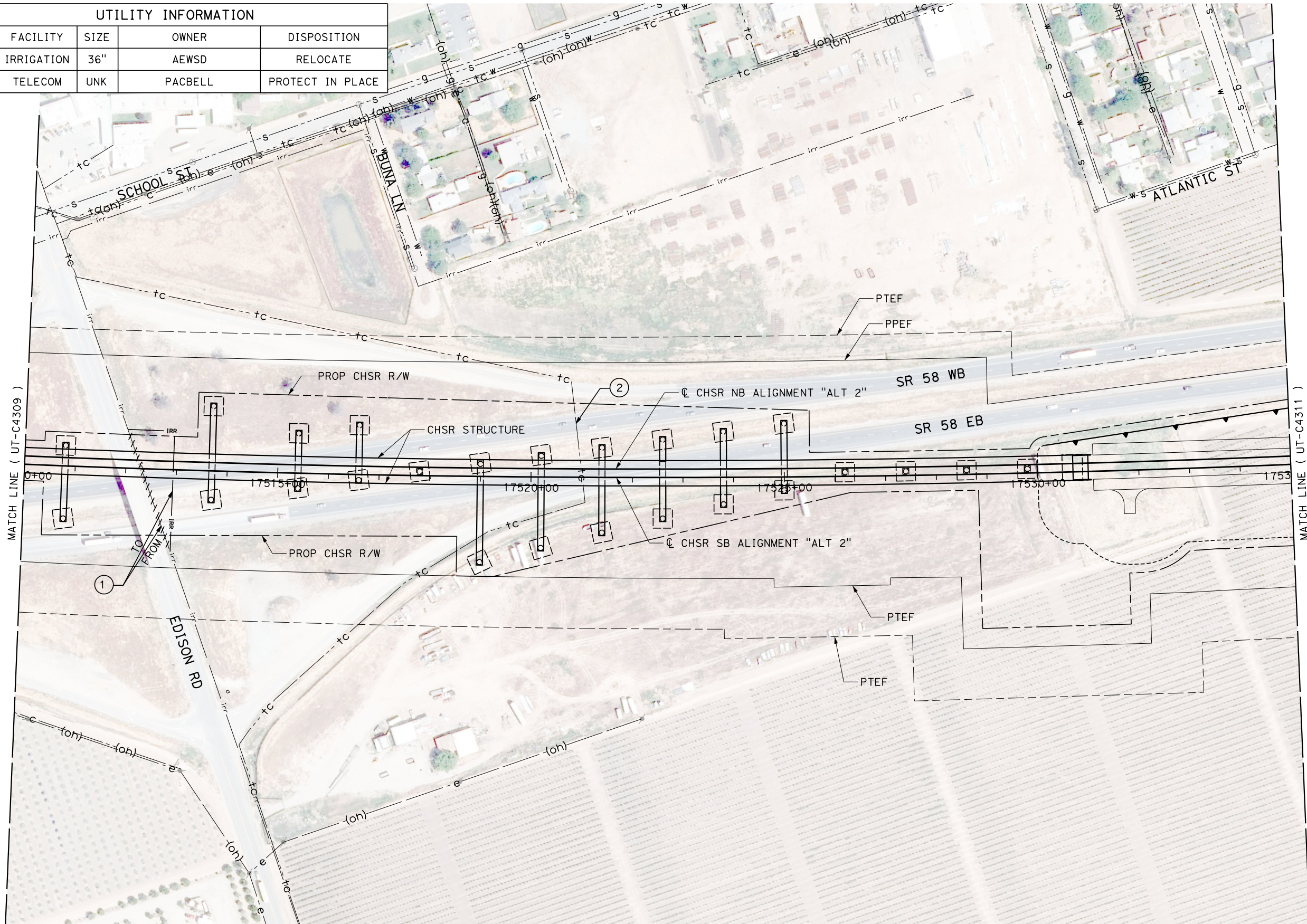
NOT FOR
CONSTRUCTION



CALIFORNIA HIGH-SPEED RAIL PROJECT
BAKERSFIELD TO PALMDALE
 COMPOSITE UTILITY PLANS
 ALTERNATIVE 2
 STA 17485+00 TO 17510+00

CONTRACT NO.
HSR13-44
 DRAWING NO.
UT-C4309
 SCALE
AS SHOWN
 SHEET NO.
256

UTILITY INFORMATION				
#	FACILITY	SIZE	OWNER	DISPOSITION
1	IRRIGATION	36"	AEWSD	RELOCATE
2	TELECOM	UNK	PACBELL	PROTECT IN PLACE



1/20/2021 4:45:59 AM
 Projects\701206.00_CHSRBP\00_CADD\Sheet Files\UT\1\12 (Edison A)\BP-UT-C4310
 .ics_user_17609

REV	DATE	BY	CHK	APP	DESCRIPTION

DESIGNED BY
D. HOLMAN
 DRAWN BY
J. LOPEZ
 CHECKED BY
G. CAMPBELL
 IN CHARGE
G. CAMPBELL
 DATE
01/29/2021

RECORD SET
PEPD
SUBMITTAL

NOT FOR
CONSTRUCTION



CALIFORNIA HIGH-SPEED RAIL PROJECT
BAKERSFIELD TO PALMDALE
 COMPOSITE UTILITY PLANS
 ALTERNATIVE 2
 STA 17510+00 TO 17535+00

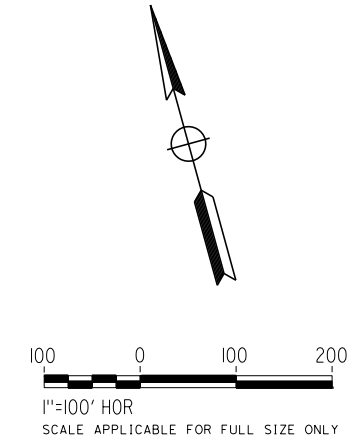
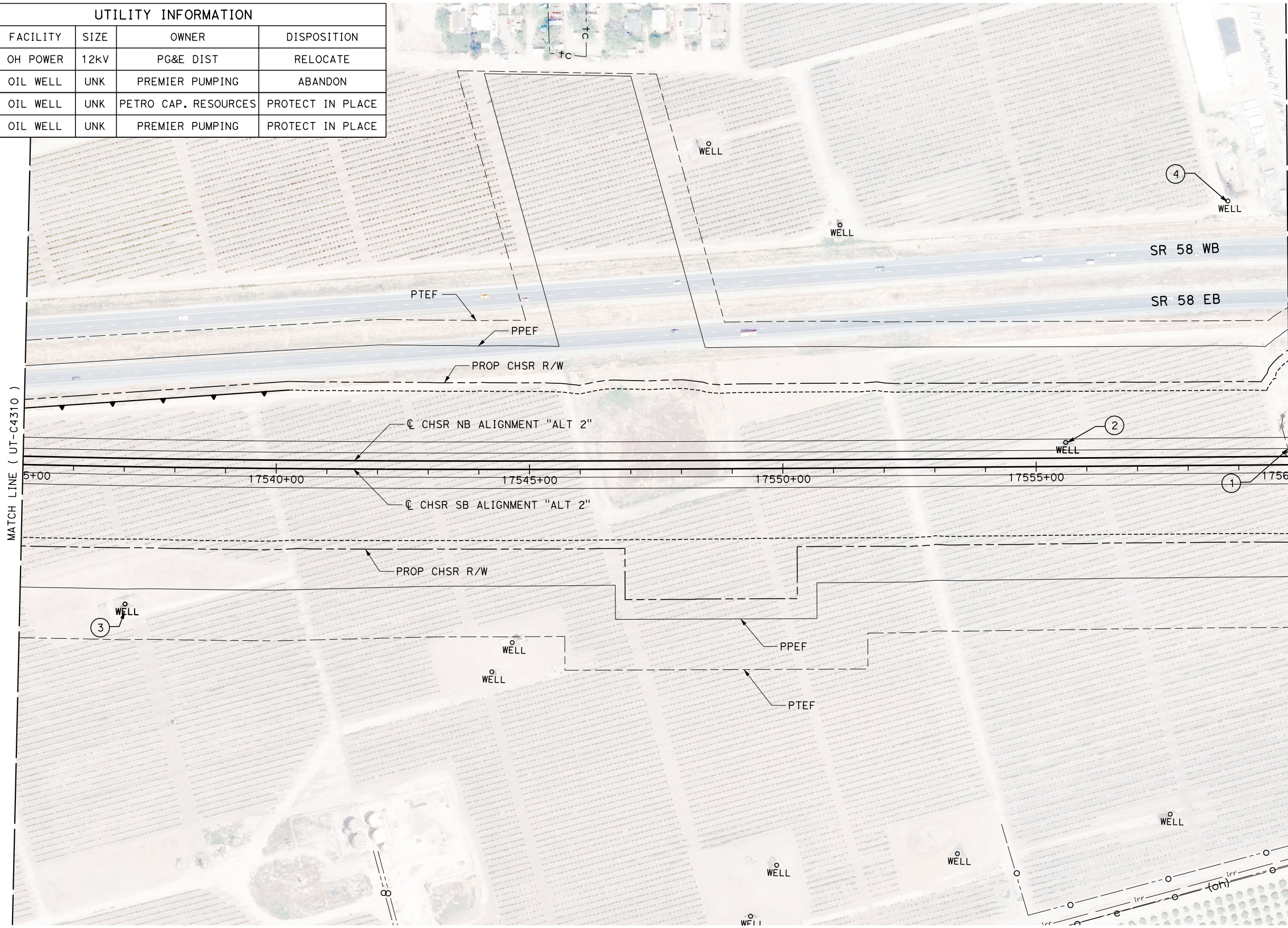
CONTRACT NO.
HSR13-44
 DRAWING NO.
UT-C4310
 SCALE
AS SHOWN
 SHEET NO.
257

Projects\701206.00_CHSRBP\00_CADD\Sheet Files\UT\Alt2 (Edison A)\BP-UT-C4311

1/20/2021 4:39:35 AM

ics_user_17609

UTILITY INFORMATION				
#	FACILITY	SIZE	OWNER	DISPOSITION
1	OH POWER	12KV	PG&E DIST	RELOCATE
2	OIL WELL	UNK	PREMIER PUMPING	ABANDON
3	OIL WELL	UNK	PETRO CAP. RESOURCES	PROTECT IN PLACE
4	OIL WELL	UNK	PREMIER PUMPING	PROTECT IN PLACE



REV	DATE	BY	CHK	APP	DESCRIPTION

DESIGNED BY
D. HOLMAN
DRAWN BY
J. LOPEZ
CHECKED BY
G. CAMPBELL
IN CHARGE
G. CAMPBELL
DATE
01/29/2021

**RECORD SET
PEPD
SUBMITTAL**

**NOT FOR
CONSTRUCTION**



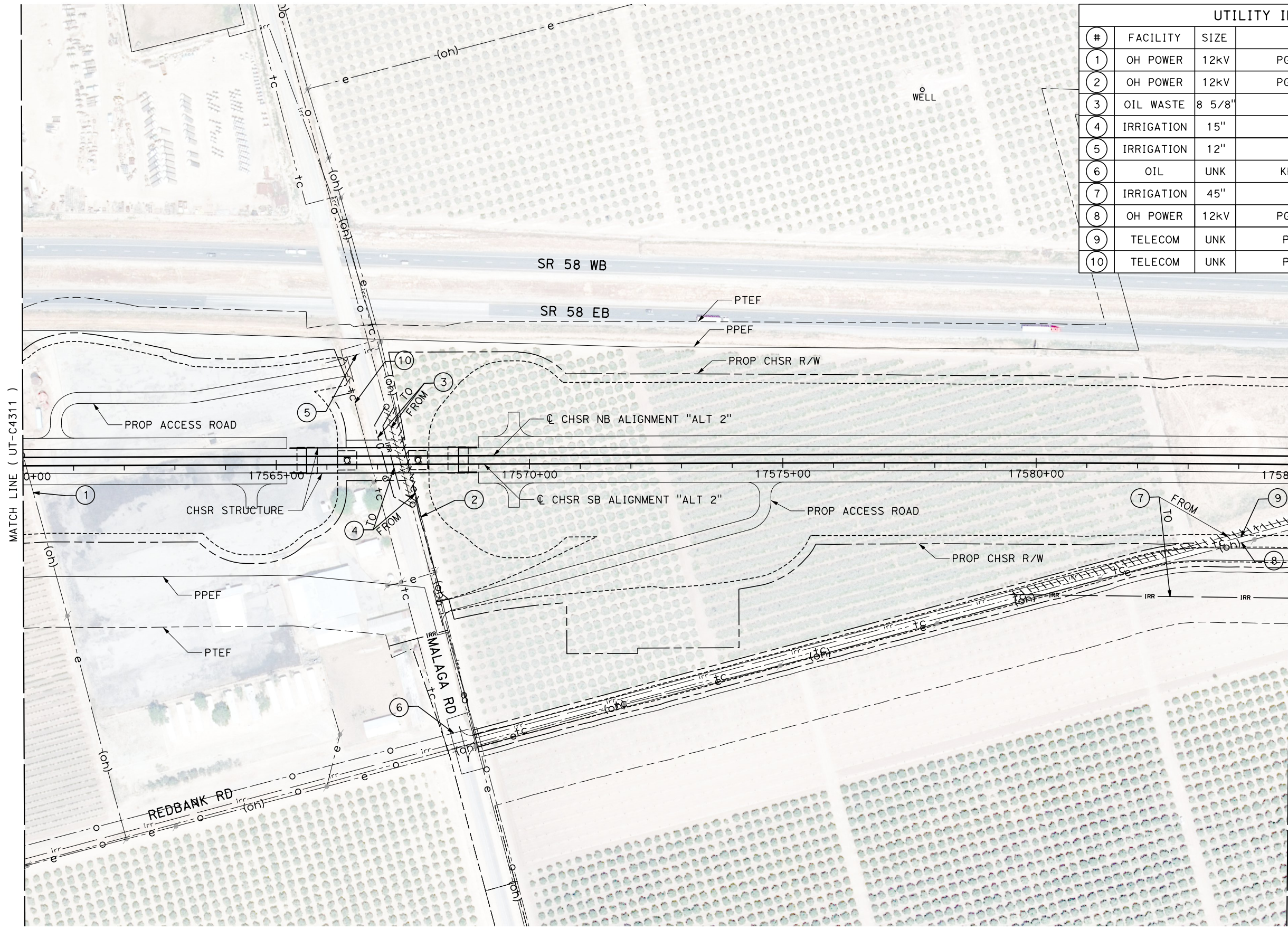
**CALIFORNIA HIGH-SPEED RAIL PROJECT
BAKERSFIELD TO PALMDALE**
COMPOSITE UTILITY PLANS
ALTERNATIVE 2
STA 17535+00 TO 17560+00

CONTRACT NO.
HSR13-44
DRAWING NO.
UT-C4311
SCALE
AS SHOWN
SHEET NO.
258

Projects\701206.00_CHSRBP\00_CADD\Sheet Files\UT\Alt2 (Edison A)\BP-UT-C4312

1/20/2021 4:46:24 AM

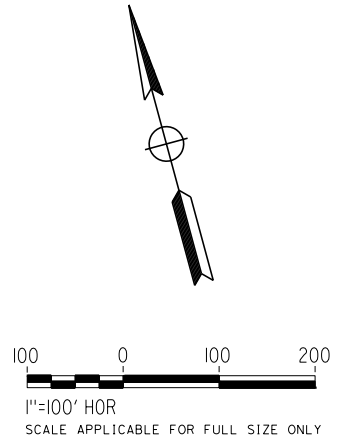
ics_user_17609



UTILITY INFORMATION				
#	FACILITY	SIZE	OWNER	DISPOSITION
1	OH POWER	12KV	PG&E DIST	RELOCATE
2	OH POWER	12KV	PG&E DIST	RELOCATE
3	OIL WASTE	8 5/8"	VWMC	RELOCATE
4	IRRIGATION	15"	AEWS	RELOCATE
5	IRRIGATION	12"	AEWS	REMOVE
6	OIL	UNK	KERN OIL	PROTECT IN PLACE
7	IRRIGATION	45"	AEWS	RELOCATE
8	OH POWER	12KV	PG&E DIST	RELOCATE
9	TELECOM	UNK	PACBELL	RELOCATE
10	TELECOM	UNK	PACBELL	PROTECT IN PLACE

MATCH LINE (UT-C4311)

MATCH LINE (UT-C4313)

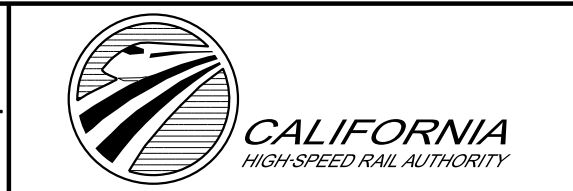


REV	DATE	BY	CHK	APP	DESCRIPTION

DESIGNED BY
D. HOLMAN
DRAWN BY
J. LOPEZ
CHECKED BY
G. CAMPBELL
IN CHARGE
G. CAMPBELL
DATE
01/29/2021

**RECORD SET
PEPD
SUBMITTAL**

**NOT FOR
CONSTRUCTION**

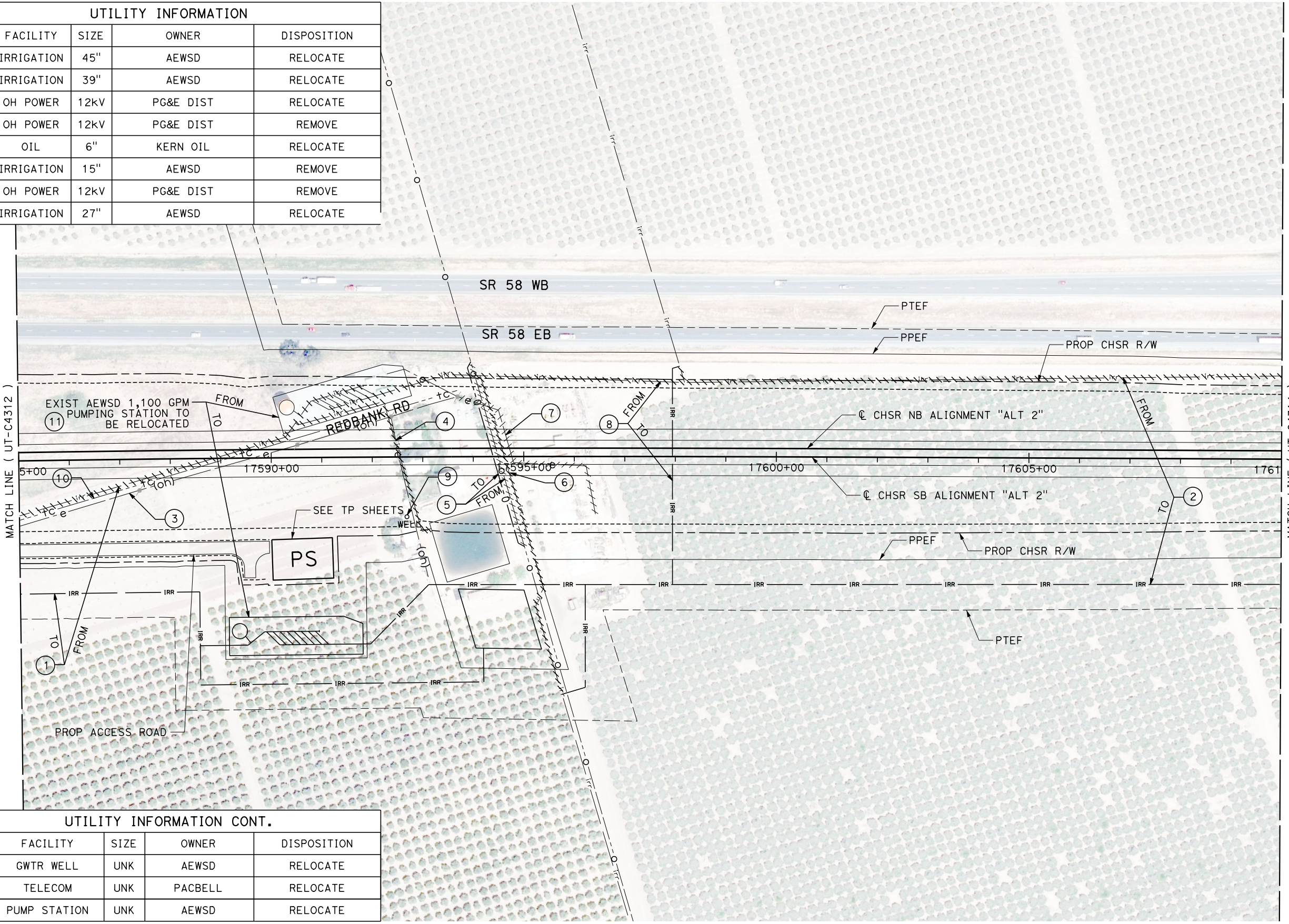


**CALIFORNIA HIGH-SPEED RAIL PROJECT
BAKERSFIELD TO PALMDALE**
COMPOSITE UTILITY PLANS
ALTERNATIVE 2
STA 17560+00 TO 17585+00

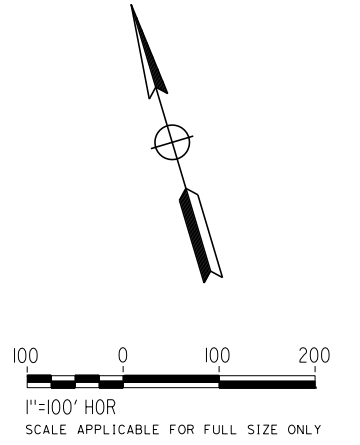
CONTRACT NO.
HSR13-44
DRAWING NO.
UT-C4312
SCALE
AS SHOWN
SHEET NO.
259

1/20/2021 4:49:18 AM Projects\701206.00_CHSRBP\00_CADD\Sheet Files\UT\Alt2 (Edison A)\BP-UT-C4313

UTILITY INFORMATION				
#	FACILITY	SIZE	OWNER	DISPOSITION
1	IRRIGATION	45"	AEWSD	RELOCATE
2	IRRIGATION	39"	AEWSD	RELOCATE
3	OH POWER	12kV	PG&E DIST	RELOCATE
4	OH POWER	12kV	PG&E DIST	REMOVE
5	OIL	6"	KERN OIL	RELOCATE
6	IRRIGATION	15"	AEWSD	REMOVE
7	OH POWER	12kV	PG&E DIST	REMOVE
8	IRRIGATION	27"	AEWSD	RELOCATE



UTILITY INFORMATION CONT.				
#	FACILITY	SIZE	OWNER	DISPOSITION
9	GWTR WELL	UNK	AEWSD	RELOCATE
10	TELECOM	UNK	PACBELL	RELOCATE
11	PUMP STATION	UNK	AEWSD	RELOCATE



REV	DATE	BY	CHK	APP	DESCRIPTION

DESIGNED BY
D. HOLMAN
DRAWN BY
J. LOPEZ
CHECKED BY
G. CAMPBELL
IN CHARGE
G. CAMPBELL
DATE
01/29/2021

**RECORD SET
PEPD
SUBMITTAL**

**NOT FOR
CONSTRUCTION**



**CALIFORNIA HIGH-SPEED RAIL PROJECT
BAKERSFIELD TO PALMDALE**
COMPOSITE UTILITY PLANS
ALTERNATIVE 2
STA 17585+00 TO 17610+00

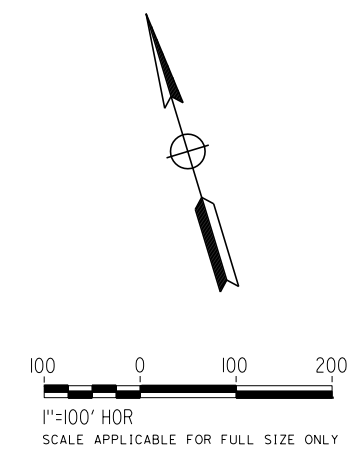
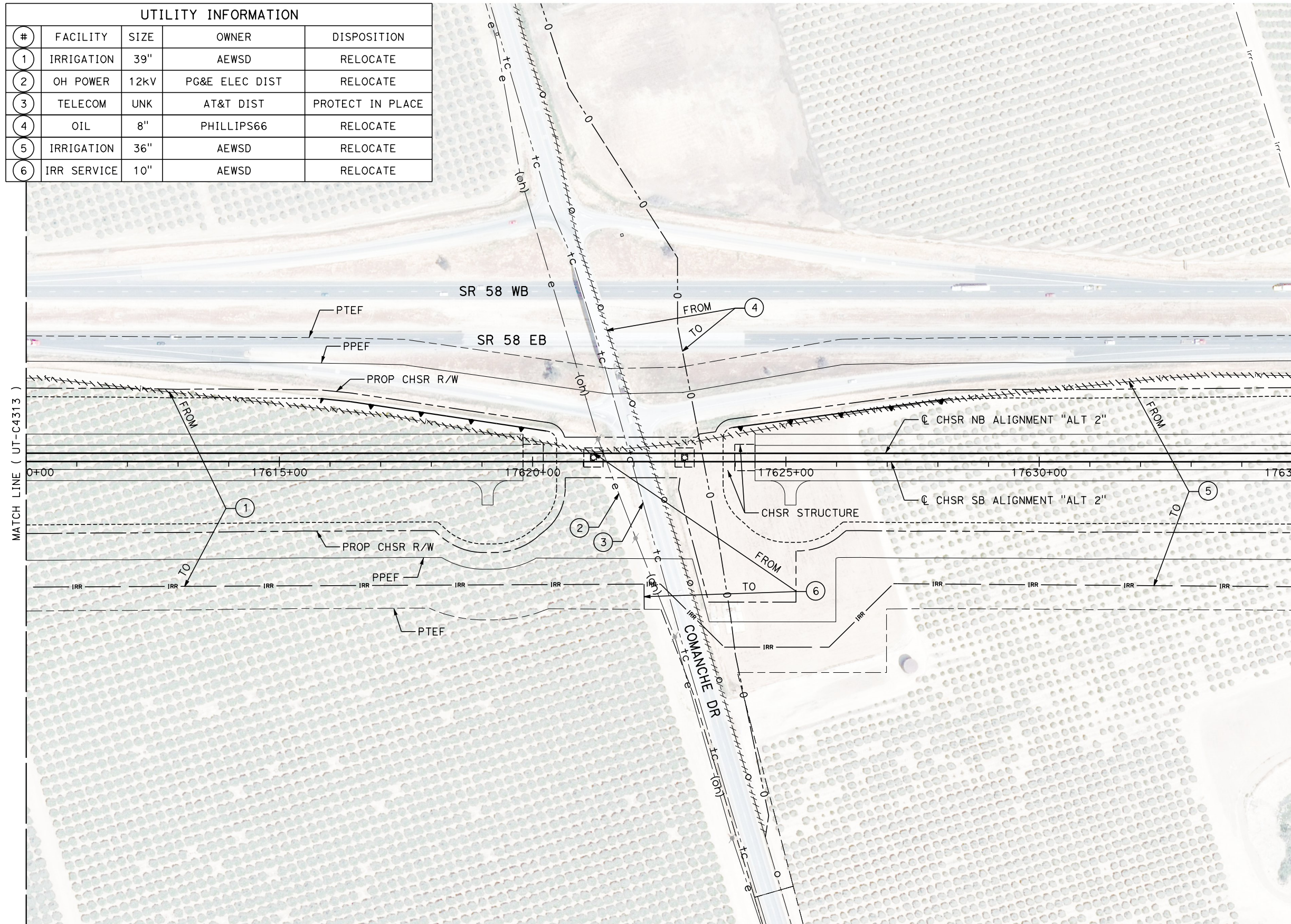
CONTRACT NO.
HSR13-44
DRAWING NO.
UT-C4313
SCALE
AS SHOWN
SHEET NO.
260

Projects\701206.00_CHSRBP\00_CADD\Sheet Files\UT\1\12 (Edison A)\BP-UT-C4314

1/20/2021 4:46:20 AM

ics_user_17609

UTILITY INFORMATION				
#	FACILITY	SIZE	OWNER	DISPOSITION
1	IRRIGATION	39"	AEWSD	RELOCATE
2	OH POWER	12kV	PG&E ELEC DIST	RELOCATE
3	TELECOM	UNK	AT&T DIST	PROTECT IN PLACE
4	OIL	8"	PHILLIPS66	RELOCATE
5	IRRIGATION	36"	AEWSD	RELOCATE
6	IRR SERVICE	10"	AEWSD	RELOCATE



REV	DATE	BY	CHK	APP	DESCRIPTION

DESIGNED BY
D. HOLMAN
DRAWN BY
J. LOPEZ
CHECKED BY
G. CAMPBELL
IN CHARGE
G. CAMPBELL
DATE
01/29/2021

**RECORD SET
PEPD
SUBMITTAL**

**NOT FOR
CONSTRUCTION**



**CALIFORNIA HIGH-SPEED RAIL PROJECT
BAKERSFIELD TO PALMDALE**
COMPOSITE UTILITY PLANS
ALTERNATIVE 2
STA 17610+00 TO 17635+00

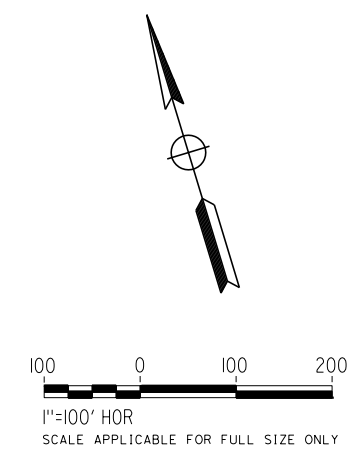
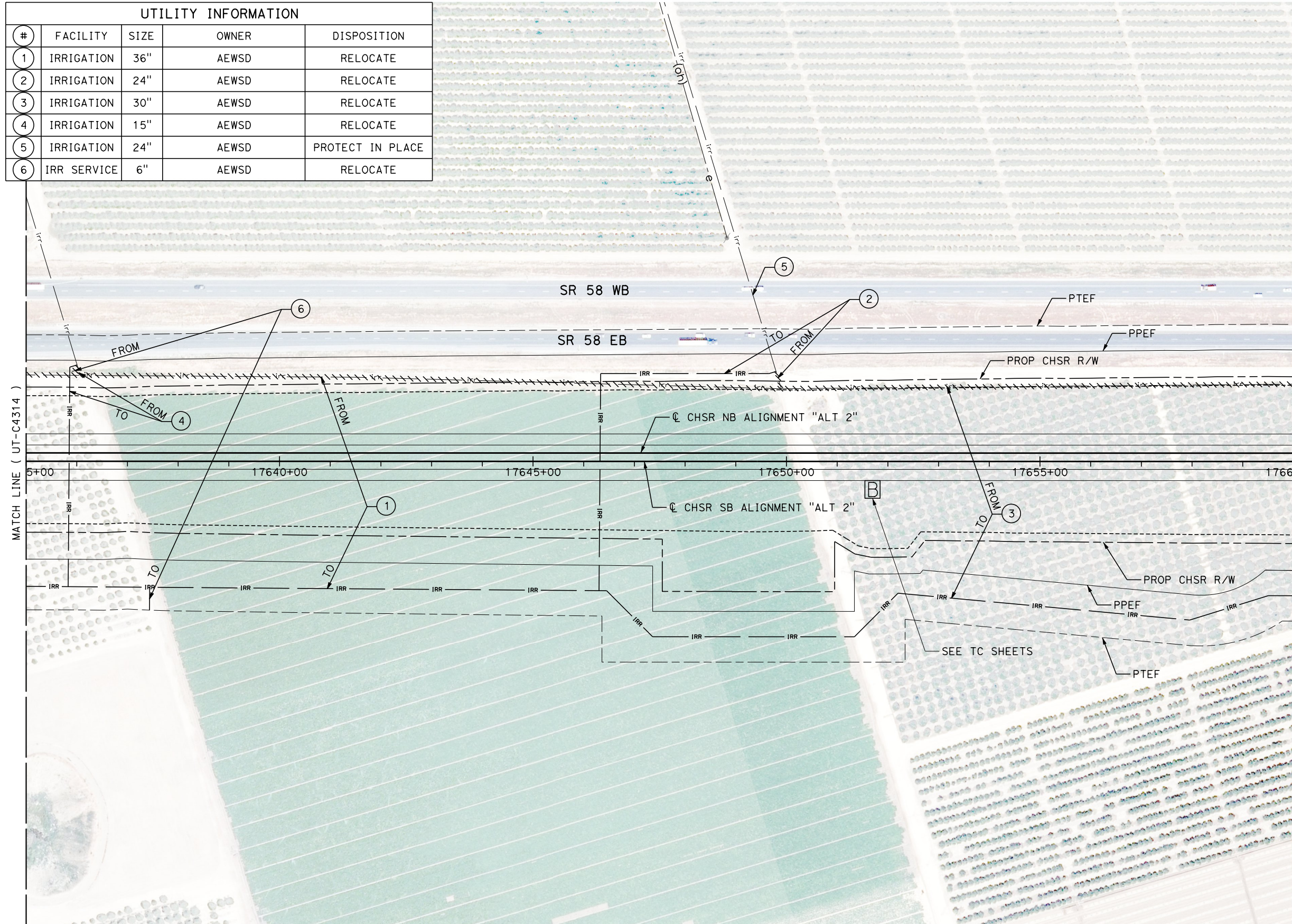
CONTRACT NO.
HSR13-44
DRAWING NO.
UT-C4314
SCALE
AS SHOWN
SHEET NO.
261

Projects\T01206.00_CHSRBP\00_CADD\Sheet Files\UT\A1\2 (Edison A)\BP-UT-C4315

1/20/2021 4:56:59 AM

ics_user_17609

UTILITY INFORMATION				
#	FACILITY	SIZE	OWNER	DISPOSITION
1	IRRIGATION	36"	AEWSD	RELOCATE
2	IRRIGATION	24"	AEWSD	RELOCATE
3	IRRIGATION	30"	AEWSD	RELOCATE
4	IRRIGATION	15"	AEWSD	RELOCATE
5	IRRIGATION	24"	AEWSD	PROTECT IN PLACE
6	IRR SERVICE	6"	AEWSD	RELOCATE



REV	DATE	BY	CHK	APP	DESCRIPTION

DESIGNED BY
D. HOLMAN

DRAWN BY
J. LOPEZ

CHECKED BY
G. CAMPBELL

IN CHARGE
G. CAMPBELL

DATE
01/29/2021

RECORD SET
PEPD
SUBMITTAL

NOT FOR
CONSTRUCTION



CALIFORNIA HIGH-SPEED RAIL PROJECT
BAKERSFIELD TO PALMDALE
COMPOSITE UTILITY PLANS
ALTERNATIVE 2
STA 17635+00 TO 17660+00

CONTRACT NO.
HSR13-44

DRAWING NO.
UT-C4315

SCALE
AS SHOWN

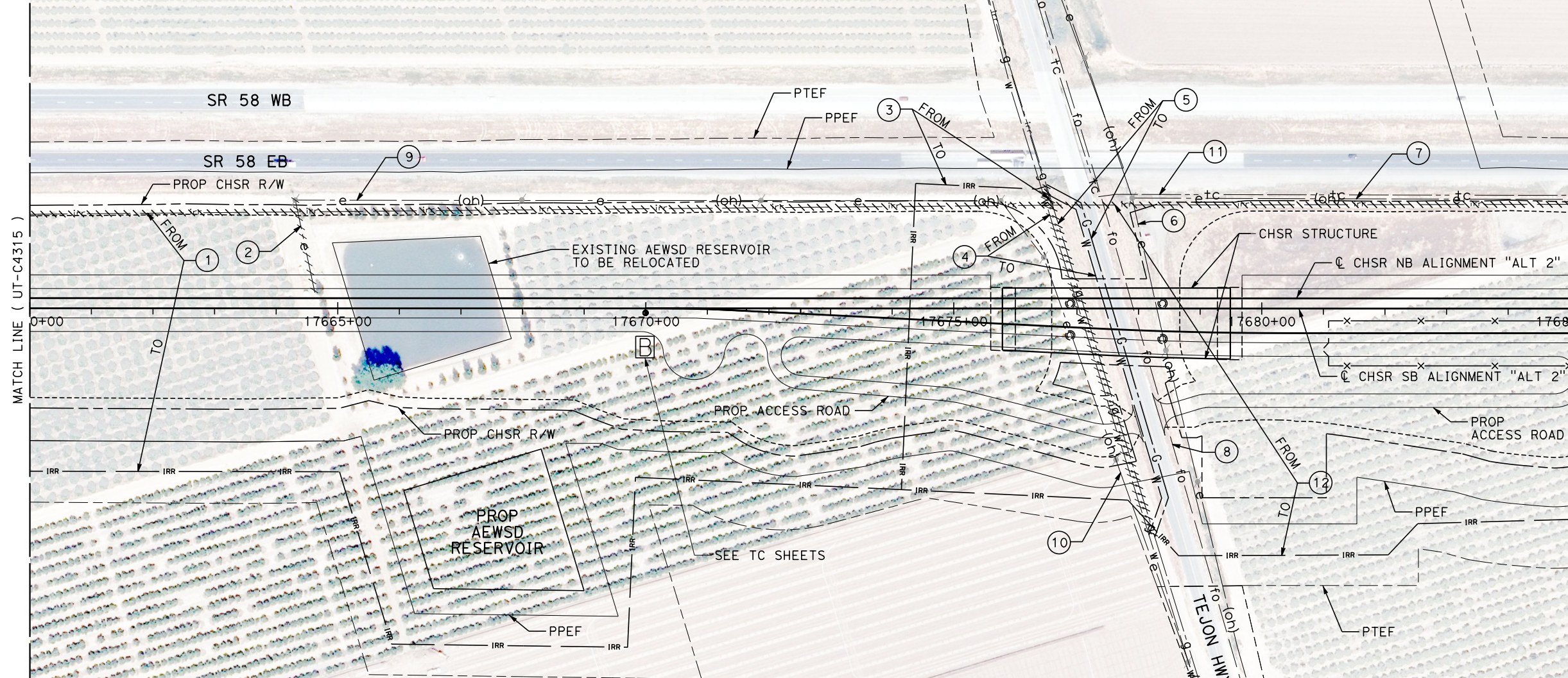
SHEET NO.
262

Projects\T01206.00_CHSRBP\00_CADD\Sheet Files\UT\1\12 (Edison A)\BP-UT-C4316

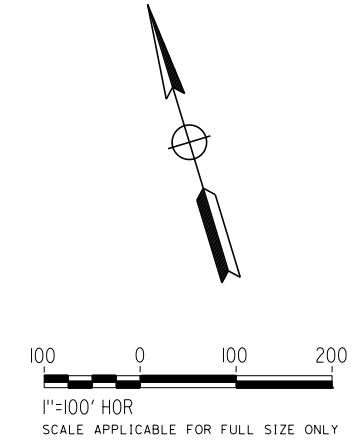
1/20/2021 4:37:56 AM

ics_user_17609

UTILITY INFORMATION				
#	FACILITY	SIZE	OWNER	DISPOSITION
1	IRRIGATION	30"	AEWSD	RELOCATE
2	OH POWER	12KV	PG&E DIST	REMOVE
3	IRRIGATION	15"	AEWSD	RELOCATE
4	WATER	3"	NAFTEX	RELOCATE
5	NATURAL GAS	3"	NAFTEX	RELOCATE
6	OH POWER	12KV	PG&E DIST	RELOCATE
7	OH POWER	12KV	PG&E DIST	PROTECT IN PLACE



UTILITY INFORMATION CONT.				
#	FACILITY	SIZE	OWNER	DISPOSITION
8	FIBER OPTIC	UNK	SPRINT, LEVEL 3	PROTECT IN PLACE
9	OH POWER	12KV	PG&E DIST	RELOCATE
10	OH POWER	12KV	PG&E DIST	RELOCATE
11	TELECOM	UNK	PACBELL	PROTECT IN PLACE
12	IRRIGATION	30"	AEWSD	RELOCATE



REV	DATE	BY	CHK	APP	DESCRIPTION

DESIGNED BY
D. HOLMAN
DRAWN BY
J. LOPEZ
CHECKED BY
G. CAMPBELL
IN CHARGE
G. CAMPBELL
DATE
01/29/2021

**RECORD SET
PEPD
SUBMITTAL**

**NOT FOR
CONSTRUCTION**



**CALIFORNIA HIGH-SPEED RAIL PROJECT
BAKERSFIELD TO PALMDALE**
COMPOSITE UTILITY PLANS
ALTERNATIVE 2
STA 17660+00 TO 17685+00

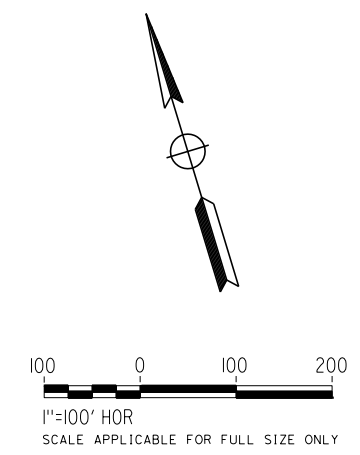
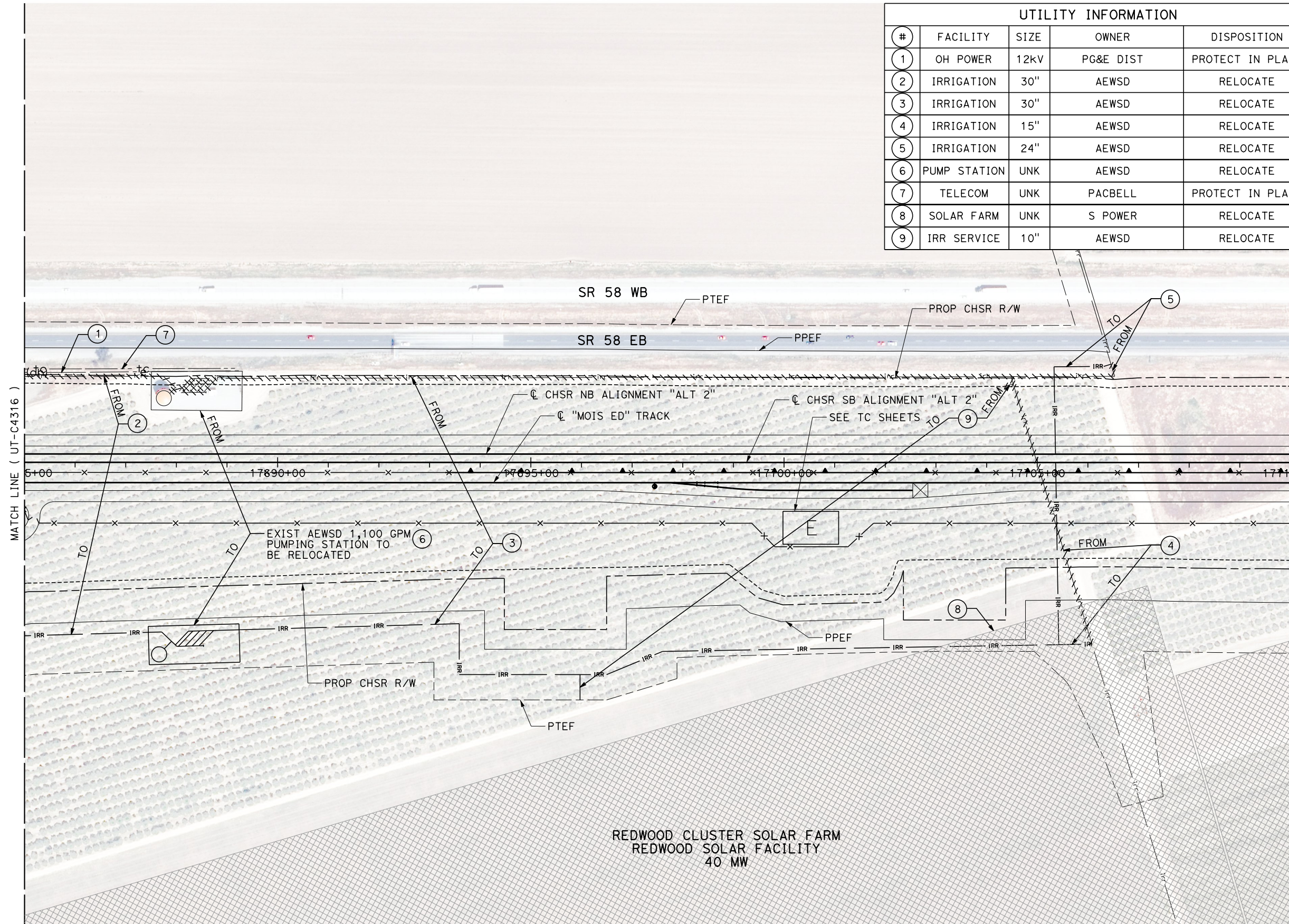
CONTRACT NO.
HSR13-44
DRAWING NO.
UT-C4316
SCALE
AS SHOWN
SHEET NO.
263

Projects\701206.00_CHSRBP\00_CADD\Sheet Files\UT\A1\12 (Edison A)\BP-UT-C4317

1/20/2021 4:39:57 AM

ics_user_17609

UTILITY INFORMATION				
#	FACILITY	SIZE	OWNER	DISPOSITION
1	OH POWER	12KV	PG&E DIST	PROTECT IN PLACE
2	IRRIGATION	30"	AEWSD	RELOCATE
3	IRRIGATION	30"	AEWSD	RELOCATE
4	IRRIGATION	15"	AEWSD	RELOCATE
5	IRRIGATION	24"	AEWSD	RELOCATE
6	PUMP STATION	UNK	AEWSD	RELOCATE
7	TELECOM	UNK	PACBELL	PROTECT IN PLACE
8	SOLAR FARM	UNK	S POWER	RELOCATE
9	IRR SERVICE	10"	AEWSD	RELOCATE



REV	DATE	BY	CHK	APP	DESCRIPTION

DESIGNED BY
D. HOLMAN
DRAWN BY
J. LOPEZ
CHECKED BY
G. CAMPBELL
IN CHARGE
G. CAMPBELL
DATE
01/29/2021

RECORD SET
PEPD
SUBMITTAL

NOT FOR
CONSTRUCTION



CALIFORNIA HIGH-SPEED RAIL PROJECT
BAKERSFIELD TO PALMDALE
COMPOSITE UTILITY PLANS
ALTERNATIVE 2
STA 17685+00 TO 17710+00

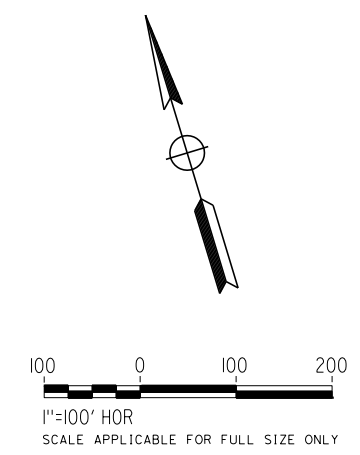
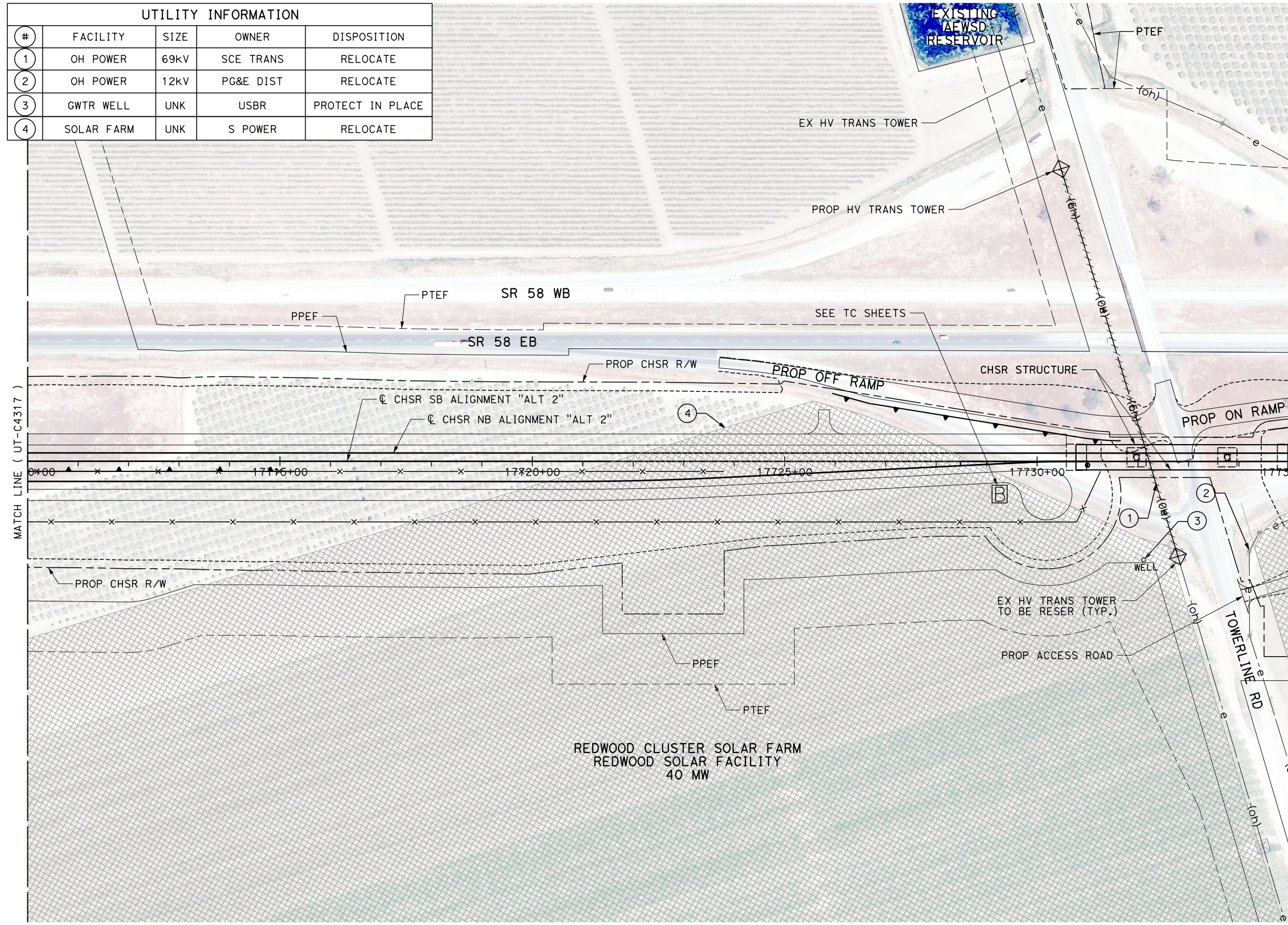
CONTRACT NO.
HSR13-44
DRAWING NO.
UT-C4317
SCALE
AS SHOWN
SHEET NO.
264

Projects\T01206.00_CHSRBP\00_CADD\Sheet Files\UT\Alt2 (Edison A)\BP-UT-C4318

1/20/2021 4:46:46 AM

jcs_user_17609

UTILITY INFORMATION				
#	FACILITY	SIZE	OWNER	DISPOSITION
1	OH POWER	69KV	SCE TRANS	RELOCATE
2	OH POWER	12KV	PG&E DIST	RELOCATE
3	GWTR WELL	UNK	USBR	PROTECT IN PLACE
4	SOLAR FARM	UNK	S POWER	RELOCATE



REV	DATE	BY	CHK	APP	DESCRIPTION

DESIGNED BY
D. HOLMAN
DRAWN BY
J. LOPEZ
CHECKED BY
G. CAMPBELL
IN CHARGE
G. CAMPBELL
DATE
01/29/2021

**RECORD SET
PEPD
SUBMITTAL**

**NOT FOR
CONSTRUCTION**



**CALIFORNIA HIGH-SPEED RAIL PROJECT
BAKERSFIELD TO PALMDALE**
COMPOSITE UTILITY PLANS
ALTERNATIVE 2
STA 17710+00 TO 17735+00

CONTRACT NO.
HSR13-44
DRAWING NO.
UT-C4318
SCALE
AS SHOWN
SHEET NO.
265