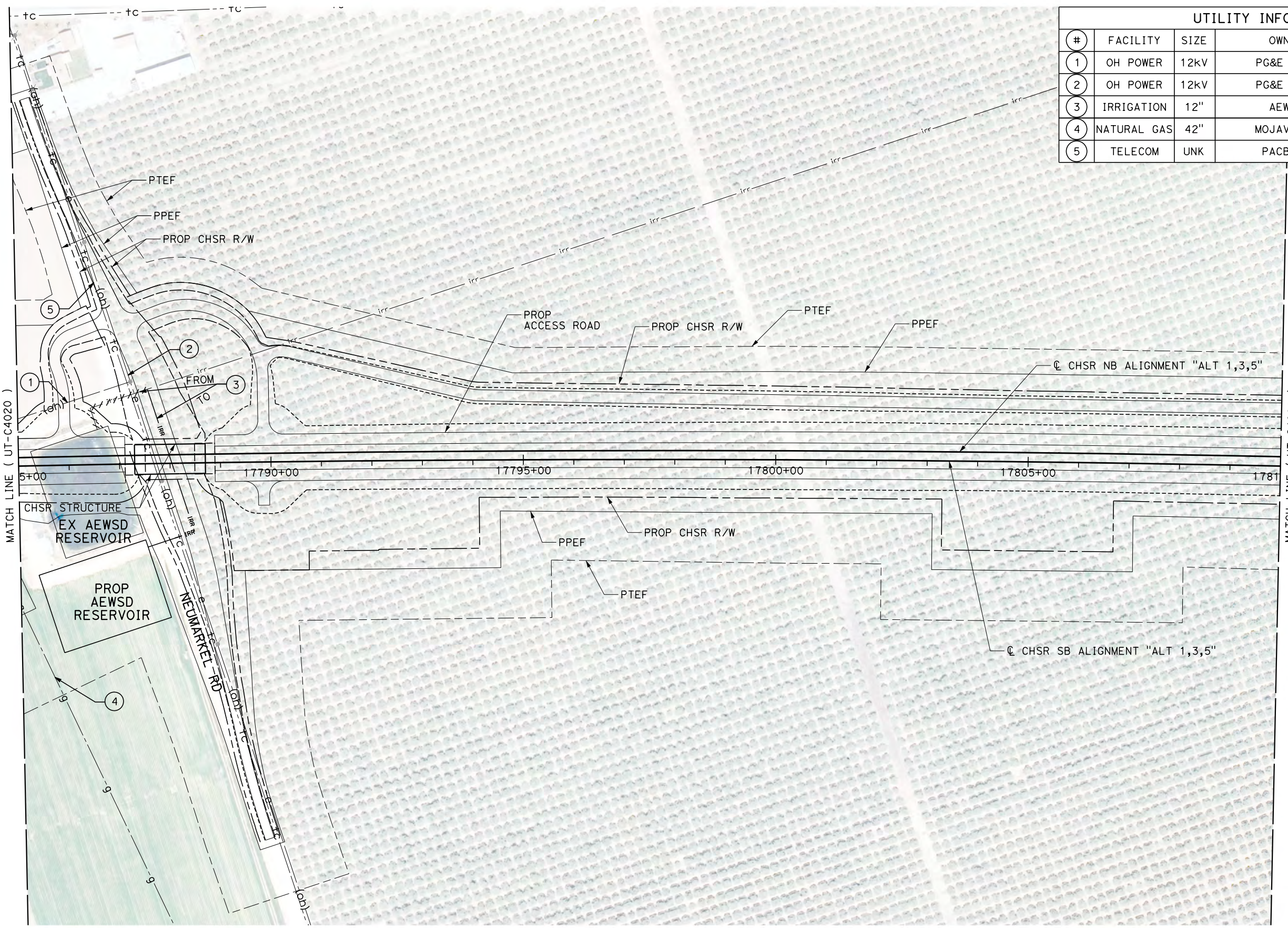


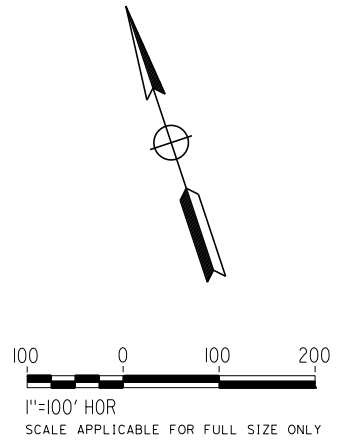
Projects\701206.00_CHSR\BVOO_CADD\Sheet_Files\UT\1\1\BP-UT-C4021

1/23/2021 3:01:40 AM

jcs_user_17609



UTILITY INFORMATION				
#	FACILITY	SIZE	OWNER	DISPOSITION
1	OH POWER	12KV	PG&E DIST	RELOCATE
2	OH POWER	12KV	PG&E DIST	RELOCATE
3	IRRIGATION	12"	AEWSO	RELOCATE
4	NATURAL GAS	42"	MOJAVE/KM	PROTECT IN PLACE
5	TELECOM	UNK	PACBELL	RELOCATE



REV	DATE	BY	CHK	APP	DESCRIPTION

DESIGNED BY
D. HOLMAN
DRAWN BY
J. LOPEZ
CHECKED BY
G. CAMPBELL
IN CHARGE
G. CAMPBELL
DATE
01/29/2021

**RECORD SET
PEPD
SUBMITTAL**

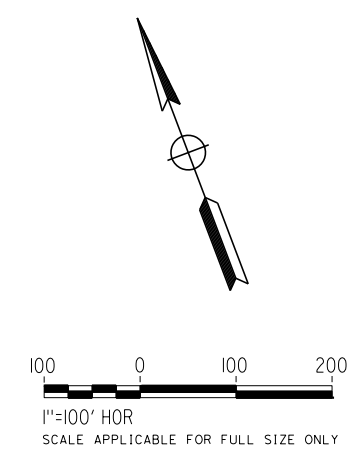
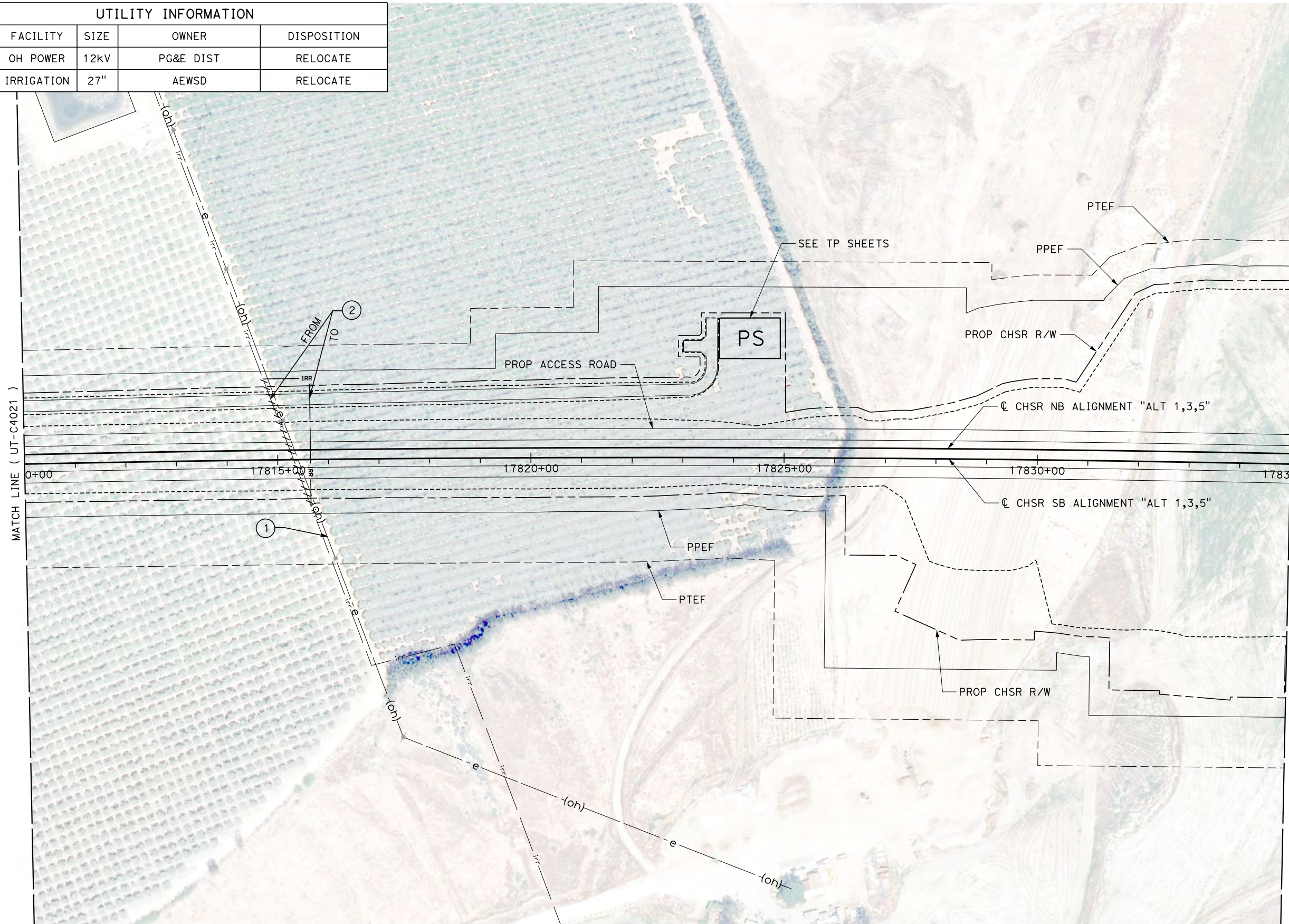
**NOT FOR
CONSTRUCTION**



**CALIFORNIA HIGH-SPEED RAIL PROJECT
BAKERSFIELD TO PALMDALE**
COMPOSITE UTILITY PLANS
ALTERNATIVE 1,3,5
STA 17785+00 TO 17810+00

CONTRACT NO.
HSR13-44
DRAWING NO.
UT-C4021
SCALE
AS SHOWN
SHEET NO.
41

UTILITY INFORMATION				
#	FACILITY	SIZE	OWNER	DISPOSITION
1	OH POWER	12kV	PG&E DIST	RELOCATE
2	IRRIGATION	27"	AEWSD	RELOCATE



Projects\701206.00_CHSRBP\00_CADD\Sheet_Files\UT\A1\1_NBP-UT-C4022
 1/23/2021 3:01:54 AM
 jcs_user_17609

REV	DATE	BY	CHK	APP	DESCRIPTION

DESIGNED BY
D. HOLMAN
 DRAWN BY
J. LOPEZ
 CHECKED BY
G. CAMPBELL
 IN CHARGE
G. CAMPBELL
 DATE
01/29/2021

RECORD SET
PEPD
SUBMITTAL

NOT FOR
CONSTRUCTION



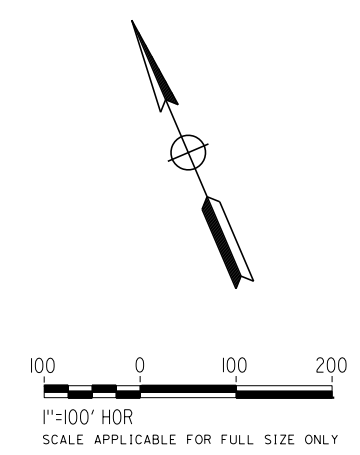
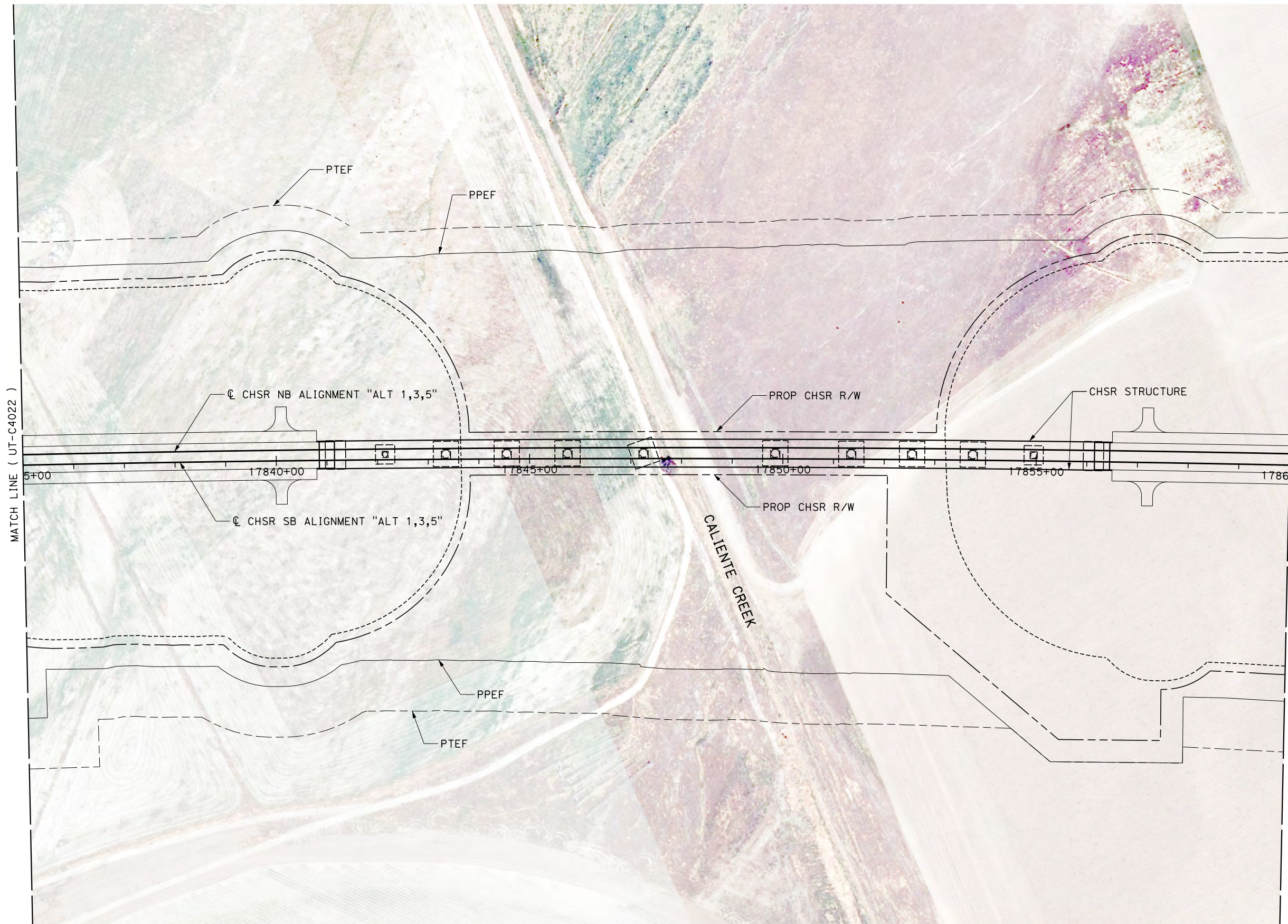
CALIFORNIA HIGH-SPEED RAIL PROJECT
BAKERSFIELD TO PALMDALE
 COMPOSITE UTILITY PLANS
 ALTERNATIVE 1,3,5
 STA 17810+00 TO 17835+00

CONTRACT NO.
HSR13-44
 DRAWING NO.
UT-C4022
 SCALE
AS SHOWN
 SHEET NO.
42

Projects\701206.00_CHSRBP\00_CADD\Sheet_Files\UT\A\1\BP-UT-C4023

1/23/2021 3:02:03 AM

ics_user_17609



REV	DATE	BY	CHK	APP	DESCRIPTION

DESIGNED BY
D. HOLMAN
DRAWN BY
J. LOPEZ
CHECKED BY
G. CAMPBELL
IN CHARGE
G. CAMPBELL
DATE
01/29/2021

**RECORD SET
PEPD
SUBMITTAL**

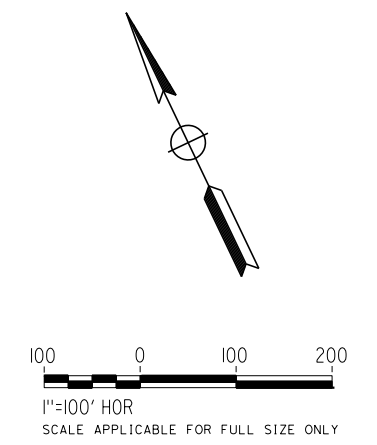
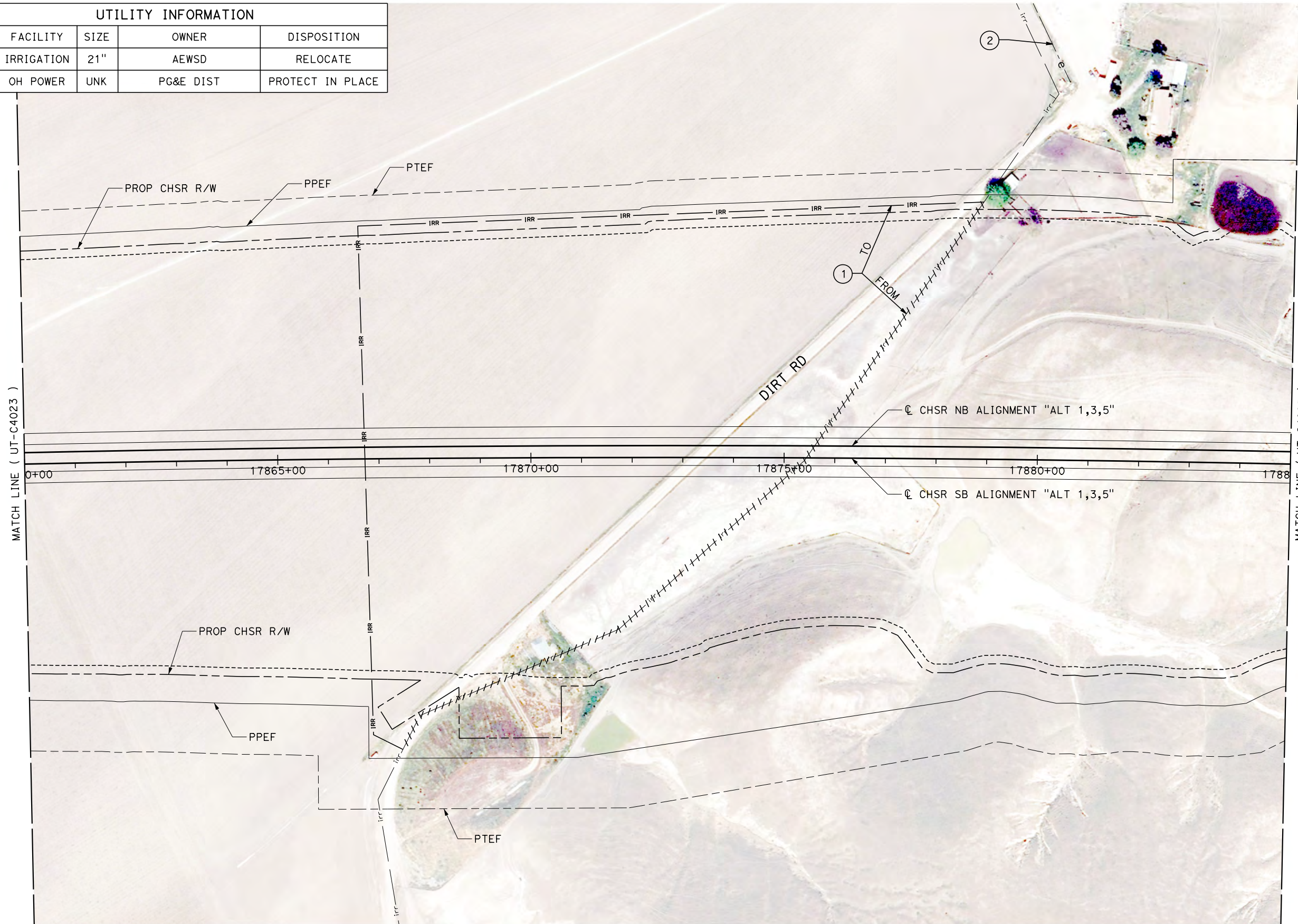
**NOT FOR
CONSTRUCTION**



**CALIFORNIA HIGH-SPEED RAIL PROJECT
BAKERSFIELD TO PALMDALE**
COMPOSITE UTILITY PLANS
ALTERNATIVE 1,3,5
STA 17835+00 TO 17860+00

CONTRACT NO.
HSR13-44
DRAWING NO.
UT-C4023
SCALE
AS SHOWN
SHEET NO.
43

UTILITY INFORMATION				
#	FACILITY	SIZE	OWNER	DISPOSITION
1	IRRIGATION	21"	AEWSD	RELOCATE
2	OH POWER	UNK	PG&E DIST	PROTECT IN PLACE



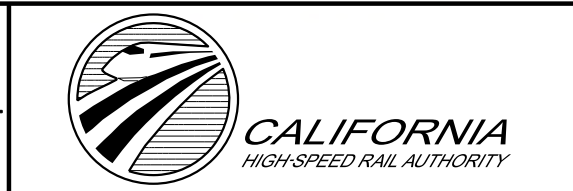
Projects\701206.00_CHSRBP\00_CADD\Sheet Files\UT\AI\1\BP-UT-C4024
 1/23/2021 3:01:26 AM
 jcs_user_17609

REV	DATE	BY	CHK	APP	DESCRIPTION

DESIGNED BY
D. HOLMAN
 DRAWN BY
J. LOPEZ
 CHECKED BY
G. CAMPBELL
 IN CHARGE
G. CAMPBELL
 DATE
01/29/2021

RECORD SET
PEPD
SUBMITTAL

NOT FOR
CONSTRUCTION



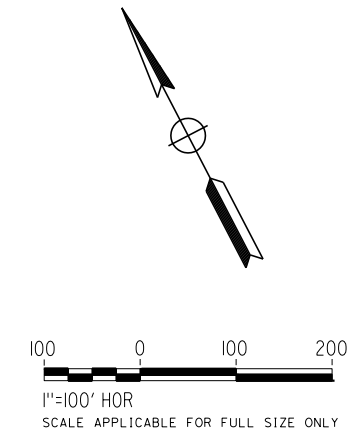
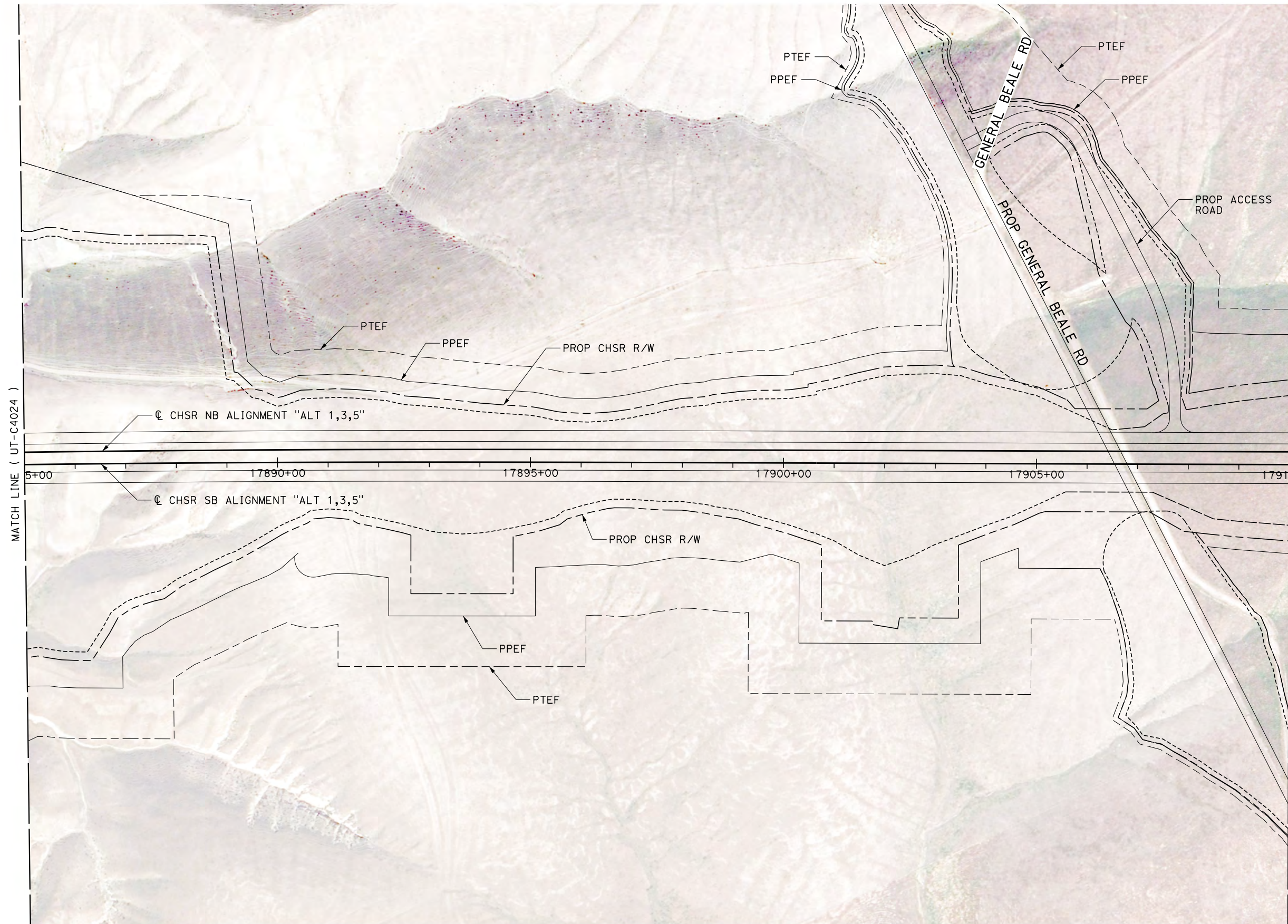
CALIFORNIA HIGH-SPEED RAIL PROJECT
BAKERSFIELD TO PALMDALE
 COMPOSITE UTILITY PLANS
 ALTERNATIVE 1,3,5
 STA 17860+00 TO 17885+00

CONTRACT NO.
HSR13-44
 DRAWING NO.
UT-C4024
 SCALE
AS SHOWN
 SHEET NO.
44

Projects\701206.00_CHSRBP\00_CADD\Sheet Files\UT\A1\1\BP-UT-C4025

1/23/2021 3:01:30 AM

ics_user_17609



REV	DATE	BY	CHK	APP	DESCRIPTION

DESIGNED BY
D. HOLMAN
DRAWN BY
J. LOPEZ
CHECKED BY
G. CAMPBELL
IN CHARGE
G. CAMPBELL
DATE
01/29/2021

**RECORD SET
PEPD
SUBMITTAL**

**NOT FOR
CONSTRUCTION**



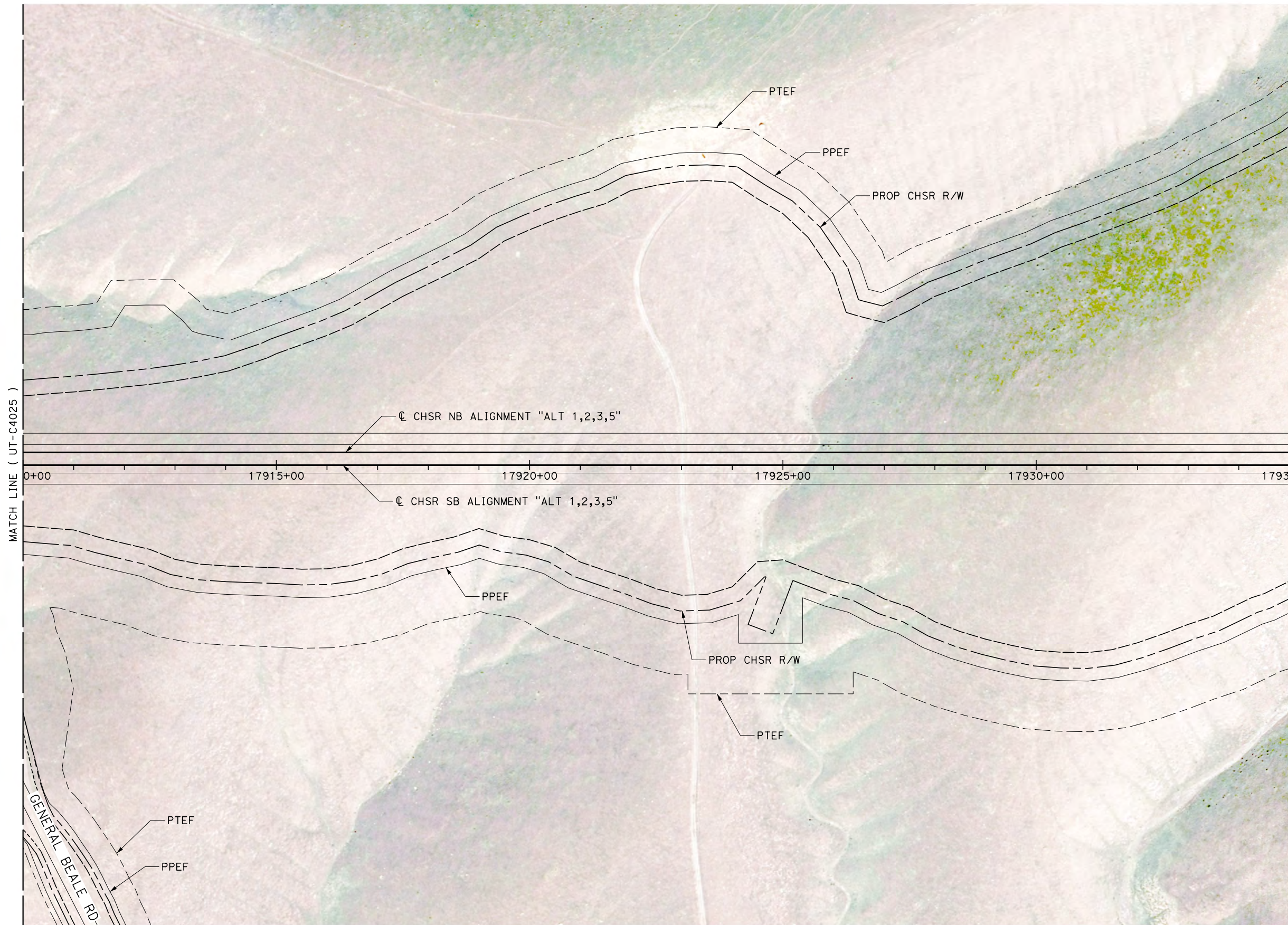
**CALIFORNIA HIGH-SPEED RAIL PROJECT
BAKERSFIELD TO PALMDALE**
COMPOSITE UTILITY PLANS
ALTERNATIVE 1,3,5
STA 17885+00 TO 17910+00

CONTRACT NO.
HSR13-44
DRAWING NO.
UT-C4025
SCALE
AS SHOWN
SHEET NO.
45

Projects\701206.00_CHSRBP\00_CADD\Sheet Files\UT\AI\1\BP-UT-C4026

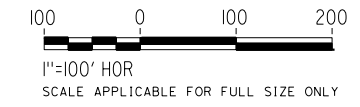
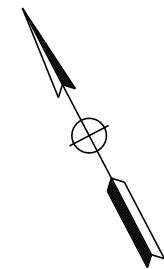
1/23/2021 3:01:54 AM

ics_user_17609



MATCH LINE (UT-C4027)

MATCH LINE (UT-C4025)



REV	DATE	BY	CHK	APP	DESCRIPTION

DESIGNED BY
D. HOLMAN
DRAWN BY
J. LOPEZ
CHECKED BY
G. CAMPBELL
IN CHARGE
G. CAMPBELL
DATE
01/29/2021

RECORD SET
PEPD
SUBMITTAL

NOT FOR
CONSTRUCTION



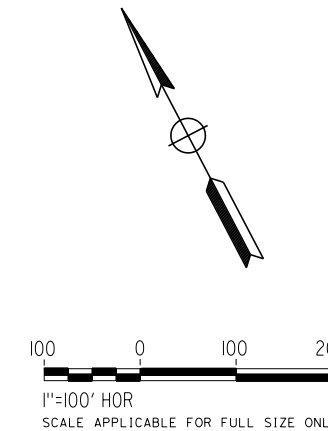
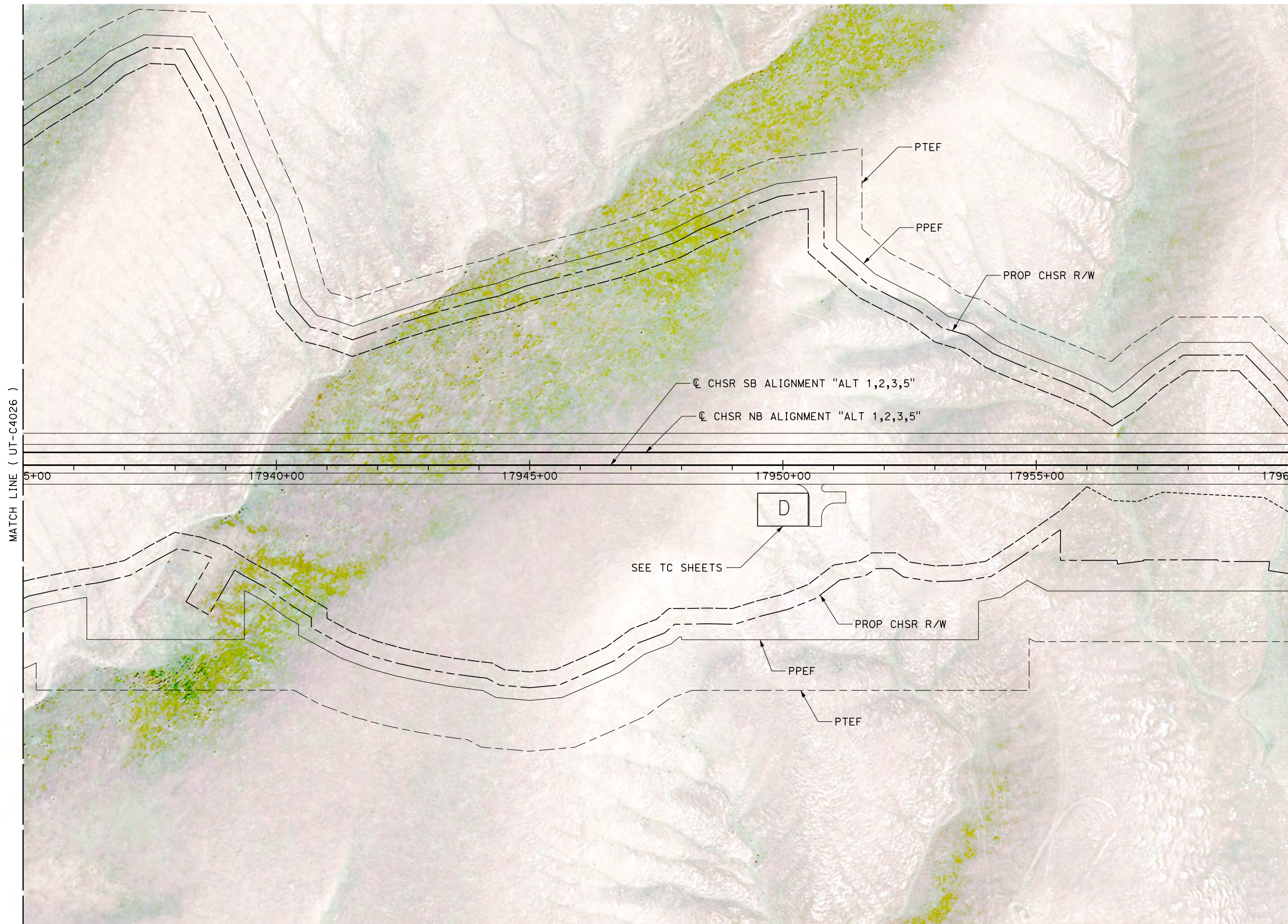
CALIFORNIA HIGH-SPEED RAIL PROJECT
BAKERSFIELD TO PALMDALE
COMPOSITE UTILITY PLANS
ALTERNATIVE 1,2,3,5
STA 17910+00 TO 17935+00

CONTRACT NO.
HSR13-44
DRAWING NO.
UT-C4026
SCALE
AS SHOWN
SHEET NO.
46

Projects\701206.00_CHSRBP\00_CADD\Sheet Files\UT\AI\1\BP-UT-C4027

1/23/2021 3:02:07 AM

ics_user_17609



REV	DATE	BY	CHK	APP	DESCRIPTION

DESIGNED BY
D. HOLMAN

DRAWN BY
J. LOPEZ

CHECKED BY
G. CAMPBELL

IN CHARGE
G. CAMPBELL

DATE
01/29/2021

**RECORD SET
PEPD
SUBMITTAL**

**NOT FOR
CONSTRUCTION**



**CALIFORNIA HIGH-SPEED RAIL PROJECT
BAKERSFIELD TO PALMDALE**

COMPOSITE UTILITY PLANS
 ALTERNATIVE 1,2,3,5
 STA 17935+00 TO 17960+00

CONTRACT NO.
HSR13-44

DRAWING NO.
UT-C4027

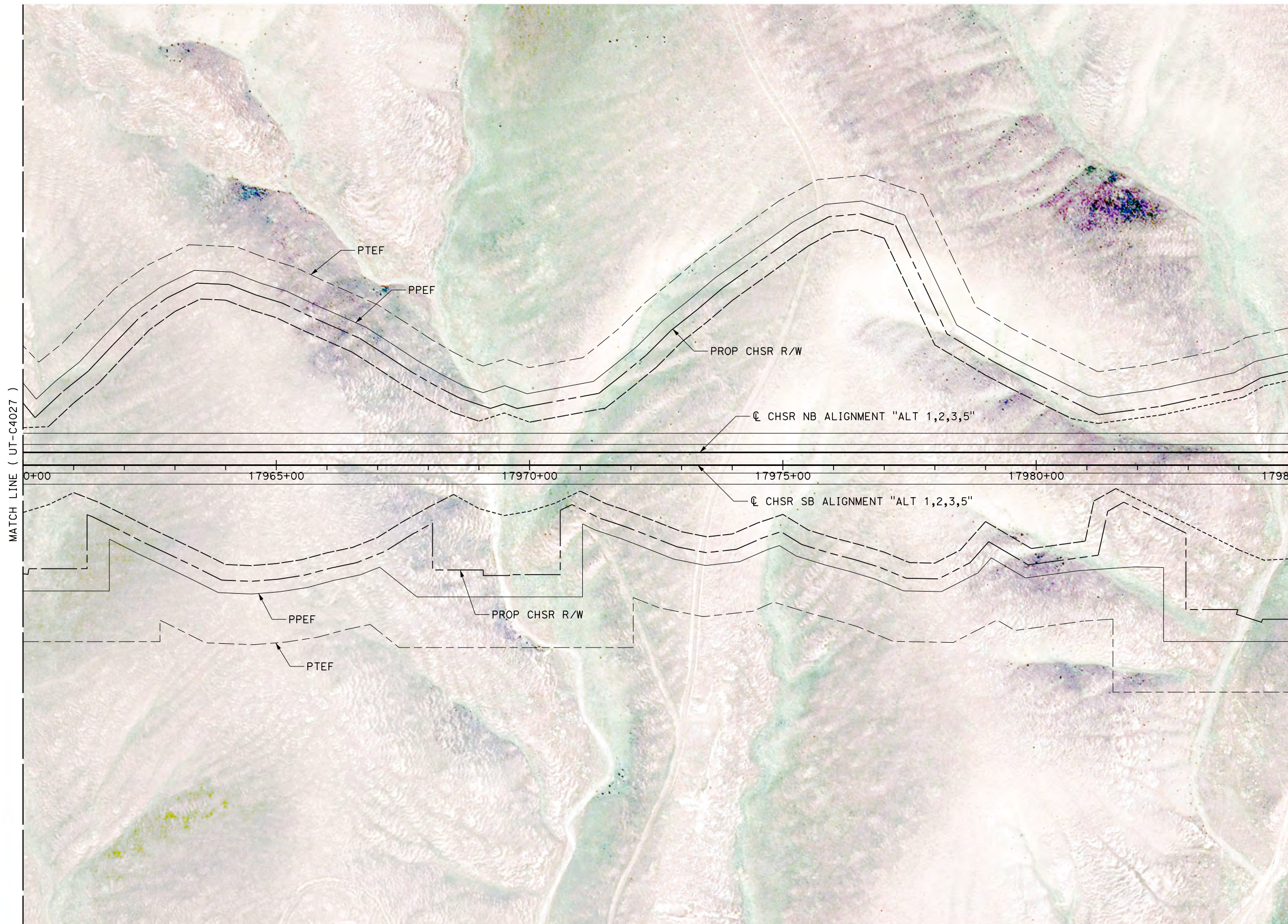
SCALE
AS SHOWN

SHEET NO.
47

Projects\701206.00_CHSRBP\00_CADD\Sheet_Files\UT\AI\1\BP-UT-C4028

1/23/2021 3:01:37 AM

ics_user_17609



REV	DATE	BY	CHK	APP	DESCRIPTION

DESIGNED BY
D. HOLMAN
DRAWN BY
J. LOPEZ
CHECKED BY
G. CAMPBELL
IN CHARGE
G. CAMPBELL
DATE
01/29/2021

**RECORD SET
PEPD
SUBMITTAL**

**NOT FOR
CONSTRUCTION**



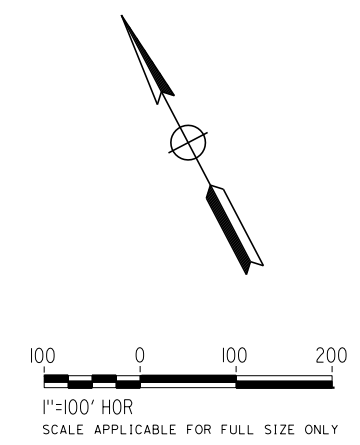
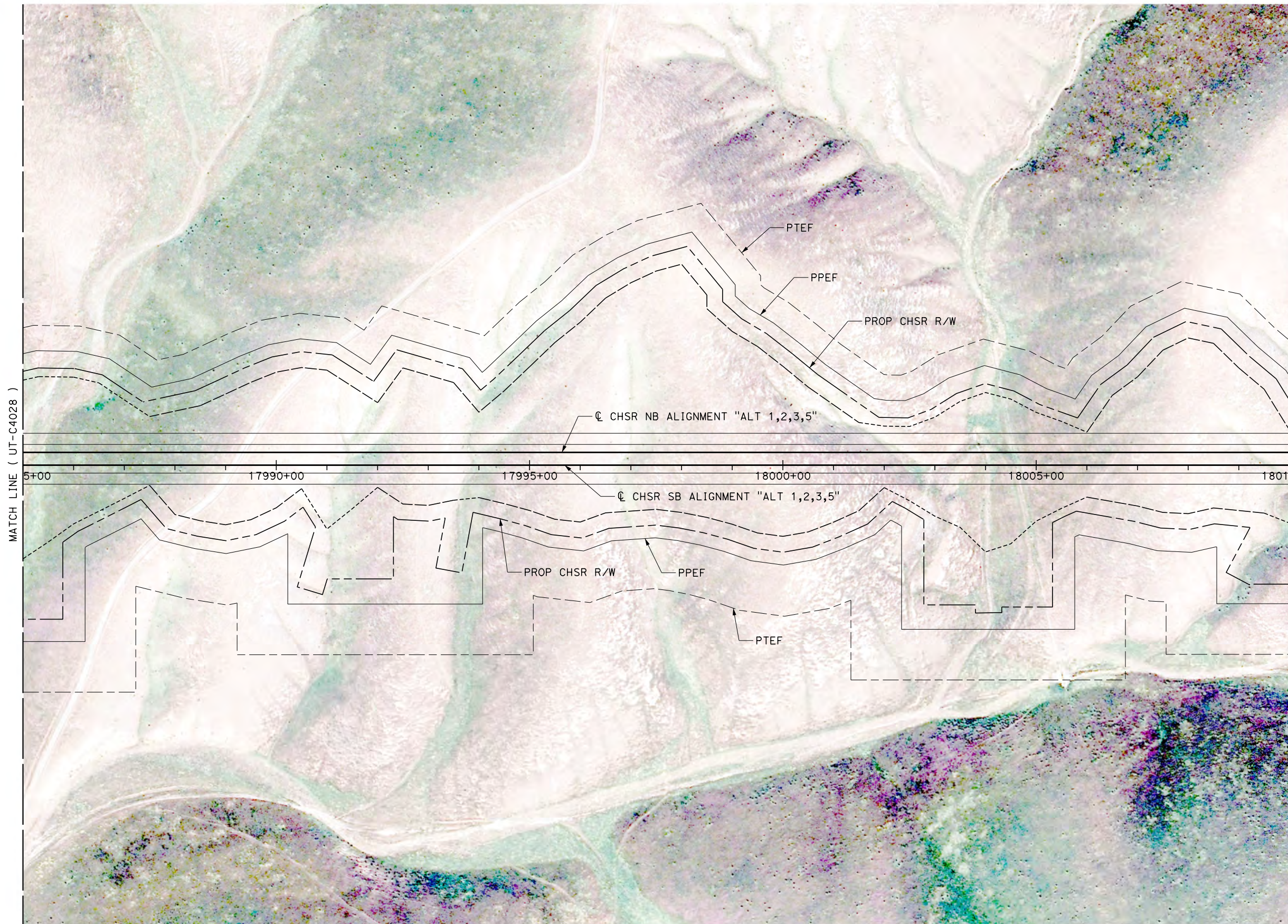
**CALIFORNIA HIGH-SPEED RAIL PROJECT
BAKERSFIELD TO PALMDALE**
COMPOSITE UTILITY PLANS
ALTERNATIVE 1,2,3,5
STA 17960+00 TO 17985+00

CONTRACT NO.
HSR13-44
DRAWING NO.
UT-C4028
SCALE
AS SHOWN
SHEET NO.
48

Projects\701206.00_CHSRBP\00_CADD\Sheet Files\UT\A1\1\BP-UT-C4029

1/23/2021 3:01:59 AM

ics_user_17609



REV	DATE	BY	CHK	APP	DESCRIPTION

DESIGNED BY
D. HOLMAN

DRAWN BY
J. LOPEZ

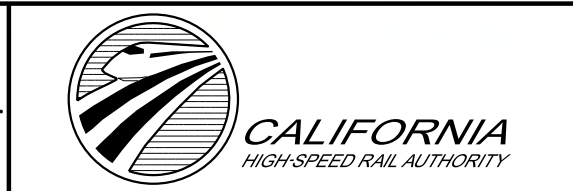
CHECKED BY
G. CAMPBELL

IN CHARGE
G. CAMPBELL

DATE
01/29/2021

RECORD SET
PEPD
SUBMITTAL

NOT FOR
CONSTRUCTION



CALIFORNIA HIGH-SPEED RAIL PROJECT
BAKERSFIELD TO PALMDALE
COMPOSITE UTILITY PLANS
ALTERNATIVE 1,2,3,5
STA 17985+00 TO 18010+00

CONTRACT NO.
HSR13-44

DRAWING NO.
UT-C4029

SCALE
AS SHOWN

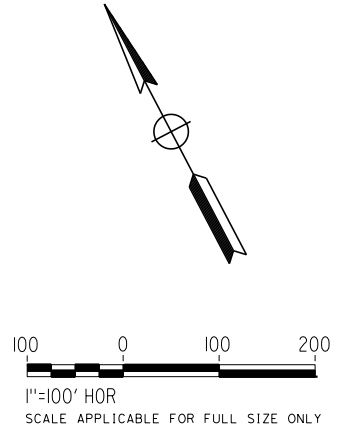
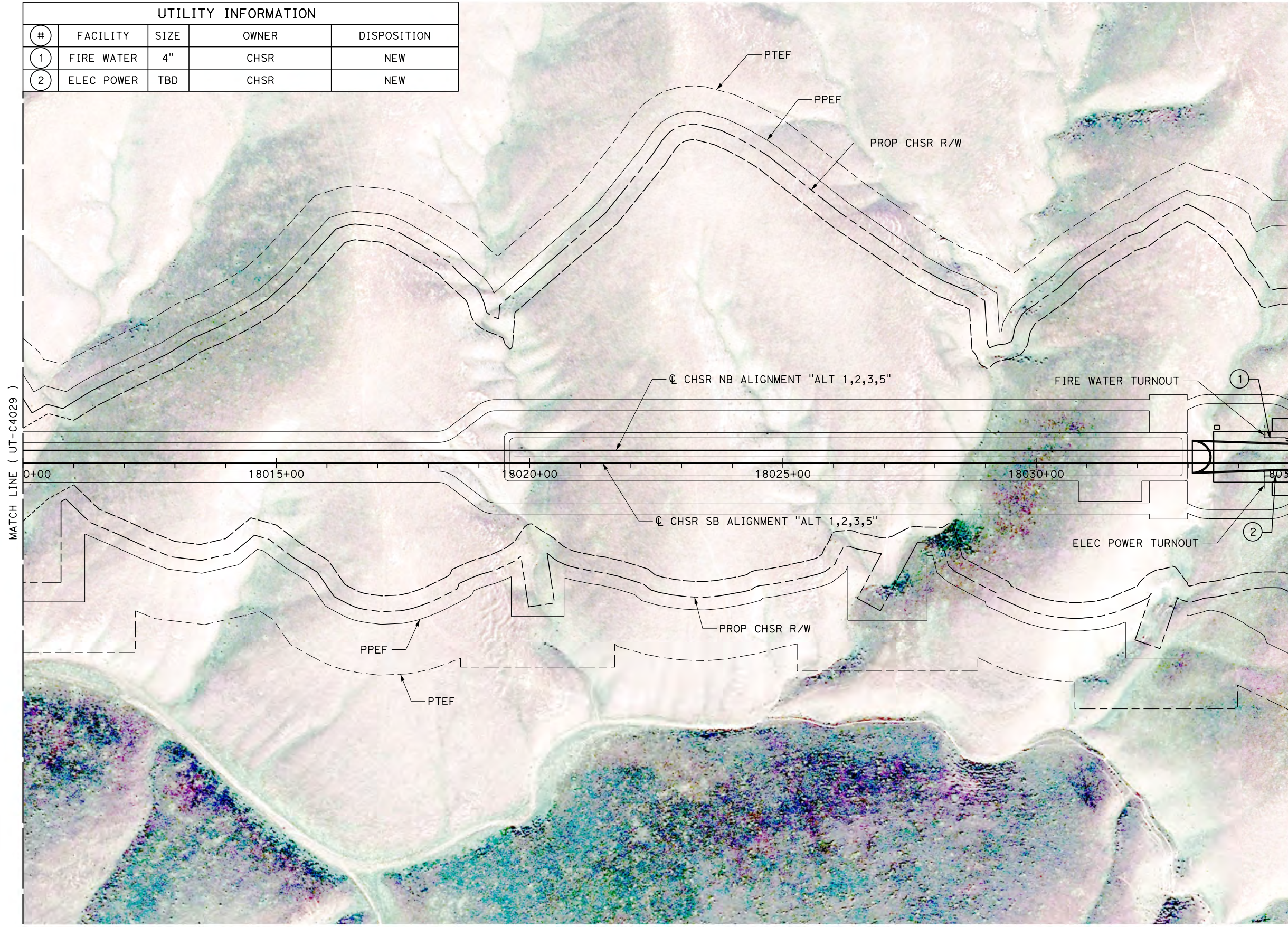
SHEET NO.
49

Projects\701206.00_CHSRBP\00_CADD\Sheet Files\UT\AI\1\BP-UT-C4030

1/23/2021 3:02:10 AM

ics_user_17609

UTILITY INFORMATION				
#	FACILITY	SIZE	OWNER	DISPOSITION
1	FIRE WATER	4"	CHSR	NEW
2	ELEC POWER	TBD	CHSR	NEW



REV	DATE	BY	CHK	APP	DESCRIPTION

DESIGNED BY
D. HOLMAN
DRAWN BY
J. LOPEZ
CHECKED BY
G. CAMPBELL
IN CHARGE
G. CAMPBELL
DATE
01/29/2021

**RECORD SET
PEPD
SUBMITTAL**

**NOT FOR
CONSTRUCTION**

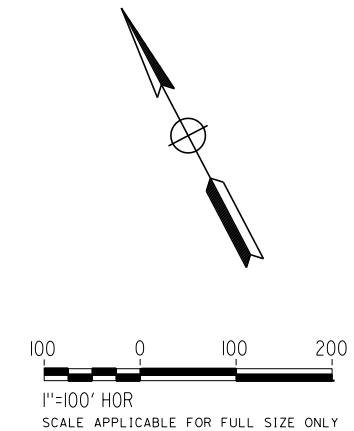
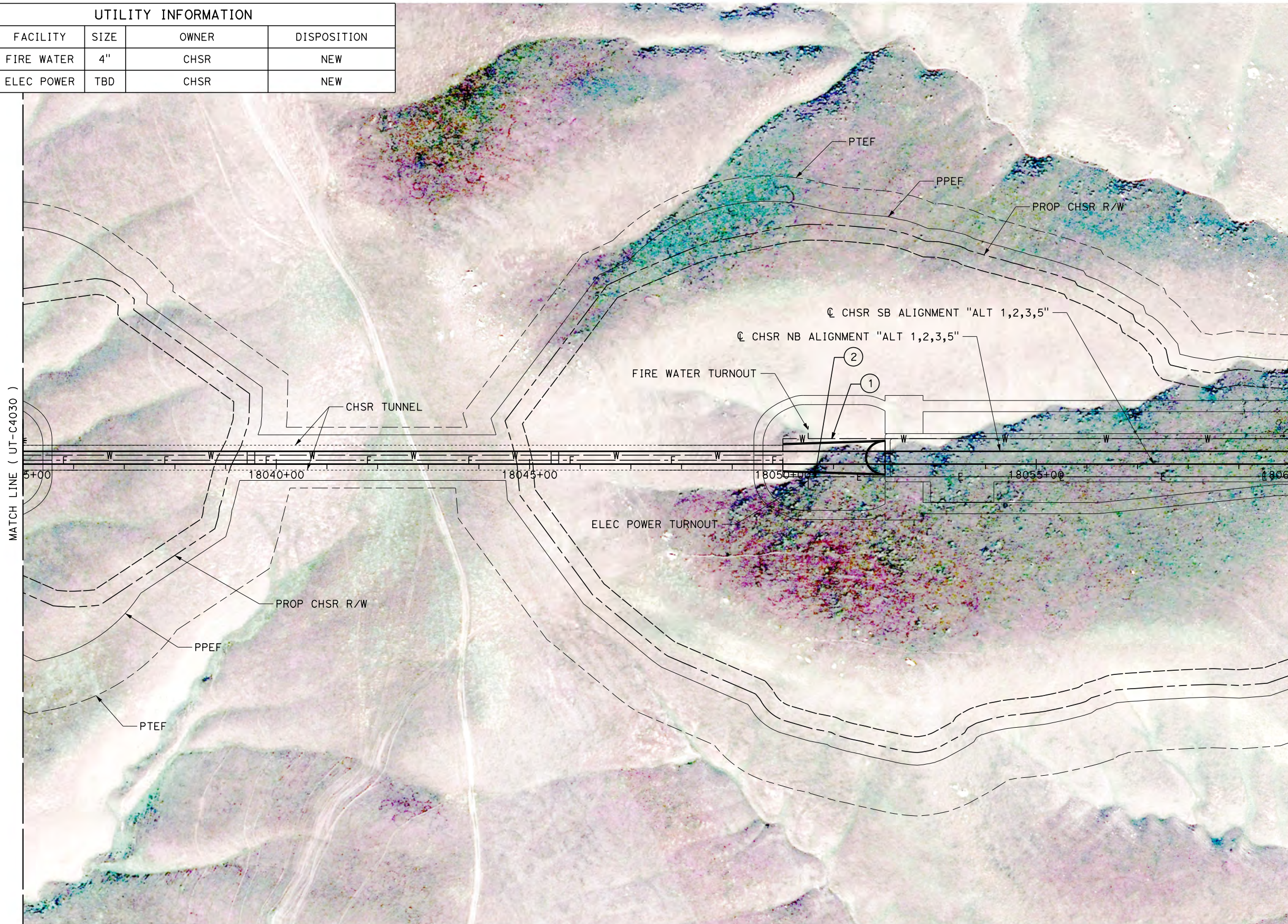


**CALIFORNIA HIGH-SPEED RAIL PROJECT
BAKERSFIELD TO PALMDALE**

COMPOSITE UTILITY PLANS
ALTERNATIVE 1,2,3,5
STA 18010+00 TO 18035+00

CONTRACT NO.
HSR13-44
DRAWING NO.
UT-C4030
SCALE
AS SHOWN
SHEET NO.
50

UTILITY INFORMATION				
#	FACILITY	SIZE	OWNER	DISPOSITION
1	FIRE WATER	4"	CHSR	NEW
2	ELEC POWER	TBD	CHSR	NEW



Projects\701206.00_CHSRBP\00_CADD\Sheet_Files\UT\AI\1_NBP-UT-C4031

1/23/2021 3:02:32 AM

jcs_user_17609

REV	DATE	BY	CHK	APP	DESCRIPTION

DESIGNED BY
D. HOLMAN
DRAWN BY
J. LOPEZ
CHECKED BY
G. CAMPBELL
IN CHARGE
G. CAMPBELL
DATE
01/29/2021

RECORD SET
PEPD
SUBMITTAL

NOT FOR
CONSTRUCTION



CALIFORNIA HIGH-SPEED RAIL PROJECT
BAKERSFIELD TO PALMDALE
COMPOSITE UTILITY PLANS
ALTERNATIVE 1,2,3,5
STA 18035+00 TO 18060+00

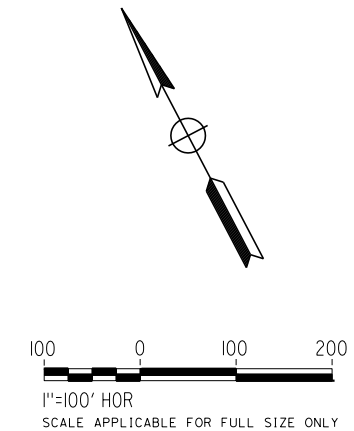
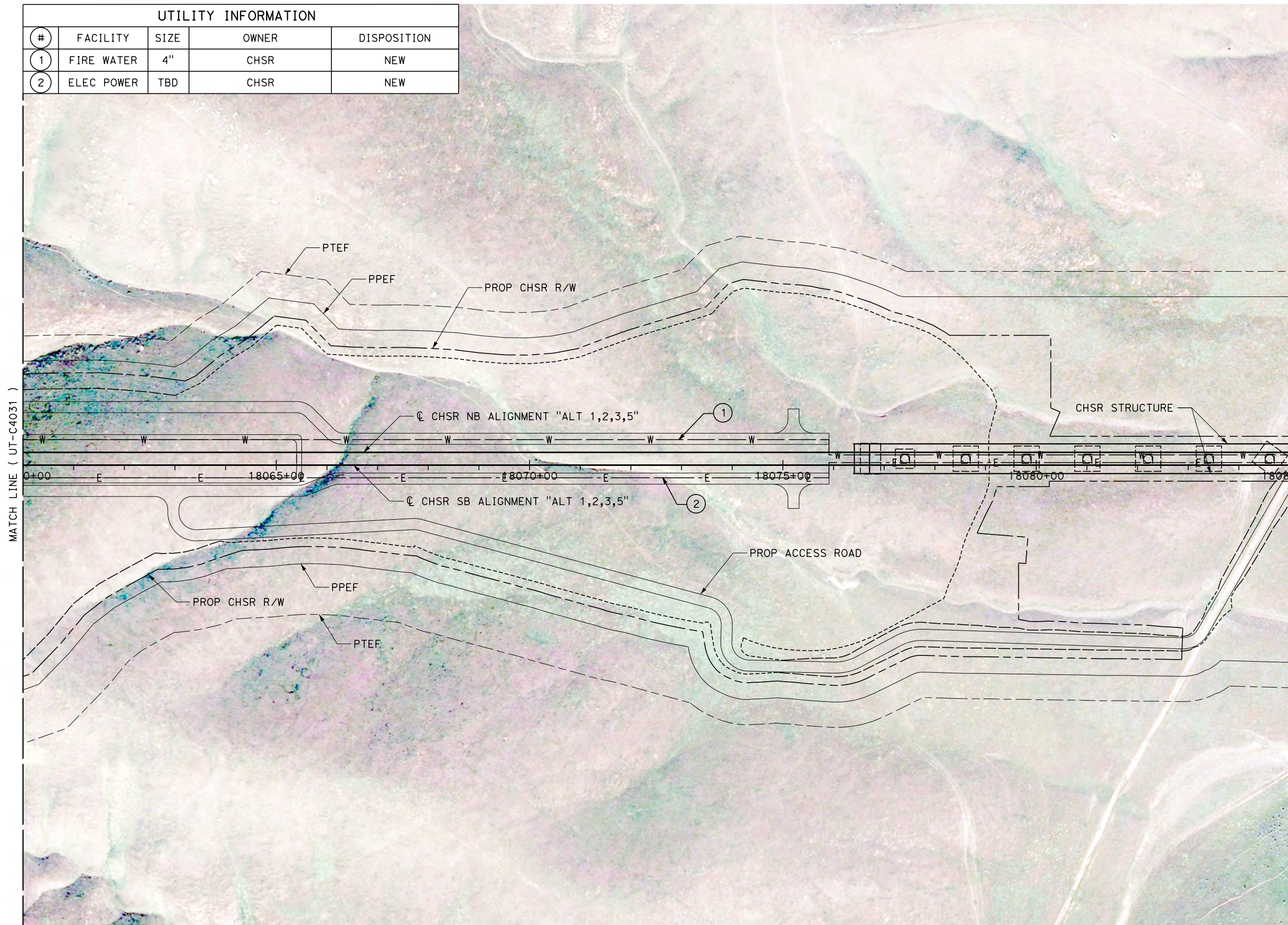
CONTRACT NO.
HSR13-44
DRAWING NO.
UT-C4031
SCALE
AS SHOWN
SHEET NO.
51

Projects\701206.00_CHSRBP\00_CADD\Sheet Files\UT\AI\1_NBP-UT-C4032

1/23/2021 3:02:39 AM

ics_user_17609

UTILITY INFORMATION				
#	FACILITY	SIZE	OWNER	DISPOSITION
1	FIRE WATER	4"	CHSR	NEW
2	ELEC POWER	TBD	CHSR	NEW



REV	DATE	BY	CHK	APP	DESCRIPTION

DESIGNED BY
D. HOLMAN
DRAWN BY
J. LOPEZ
CHECKED BY
G. CAMPBELL
IN CHARGE
G. CAMPBELL
DATE
01/29/2021

**RECORD SET
PEPD
SUBMITTAL**

**NOT FOR
CONSTRUCTION**



**CALIFORNIA HIGH-SPEED RAIL PROJECT
BAKERSFIELD TO PALMDALE**

COMPOSITE UTILITY PLANS
ALTERNATIVE 1,2,3,5
STA 18060+00 TO 18085+00

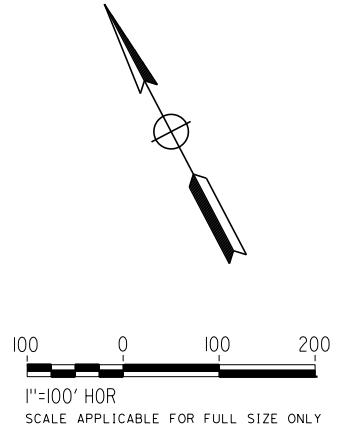
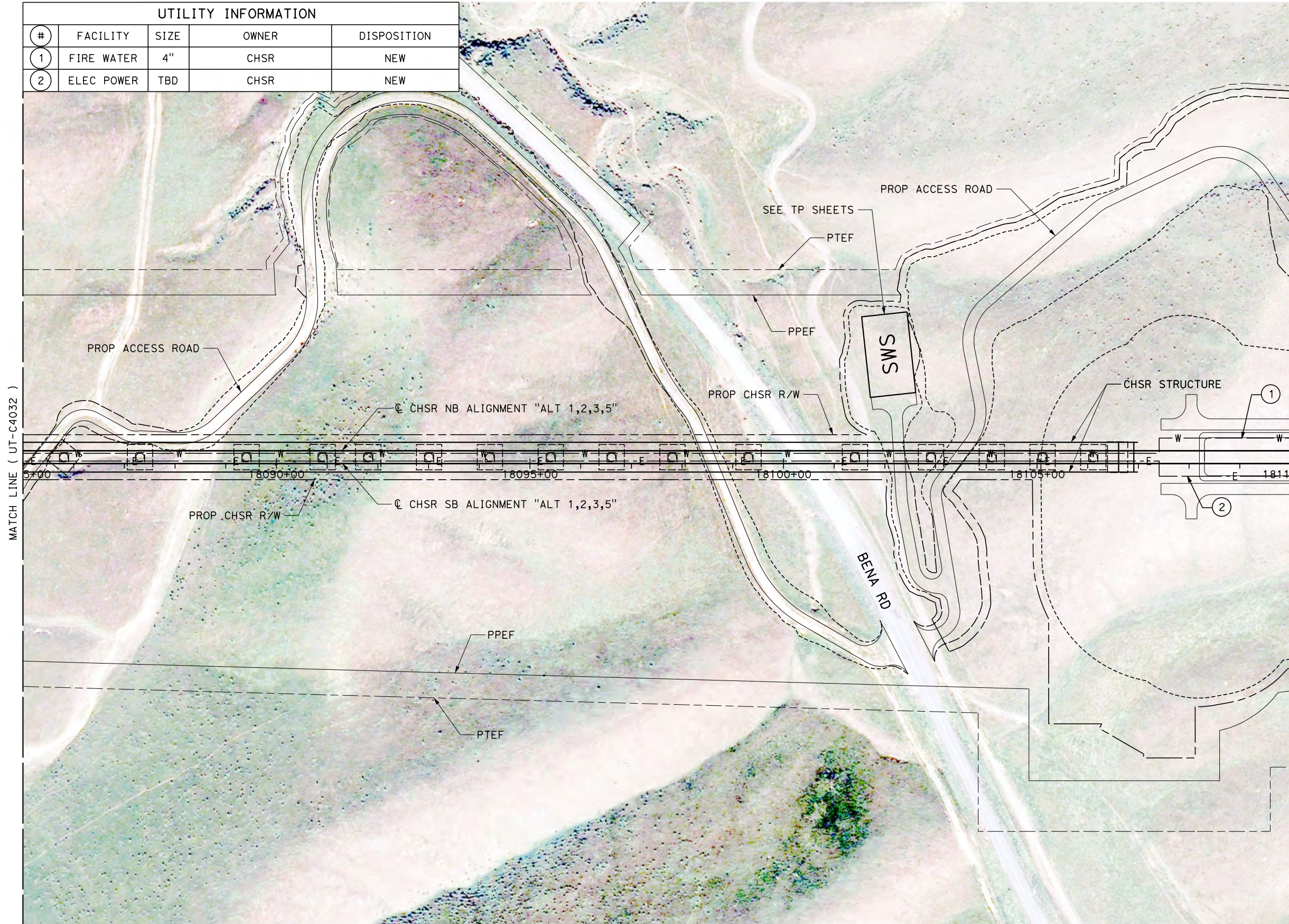
CONTRACT NO.
HSR13-44
DRAWING NO.
UT-C4032
SCALE
AS SHOWN
SHEET NO.
52

Projects\701206.00_CHSRBP\00_CADD\Sheet_Files\UT\AI\1\BP-UT-C4033

1/23/2021 3:03:07 AM

ics_user_17609

UTILITY INFORMATION				
#	FACILITY	SIZE	OWNER	DISPOSITION
1	FIRE WATER	4"	CHSR	NEW
2	ELEC POWER	TBD	CHSR	NEW



REV	DATE	BY	CHK	APP	DESCRIPTION

DESIGNED BY
D. HOLMAN
DRAWN BY
J. LOPEZ
CHECKED BY
G. CAMPBELL
IN CHARGE
G. CAMPBELL
DATE
01/29/2021

**RECORD SET
PEPD
SUBMITTAL**

**NOT FOR
CONSTRUCTION**



**CALIFORNIA HIGH-SPEED RAIL PROJECT
BAKERSFIELD TO PALMDALE**
COMPOSITE UTILITY PLANS
ALTERNATIVE 1,2,3,5
STA 18085+00 TO 18110+00

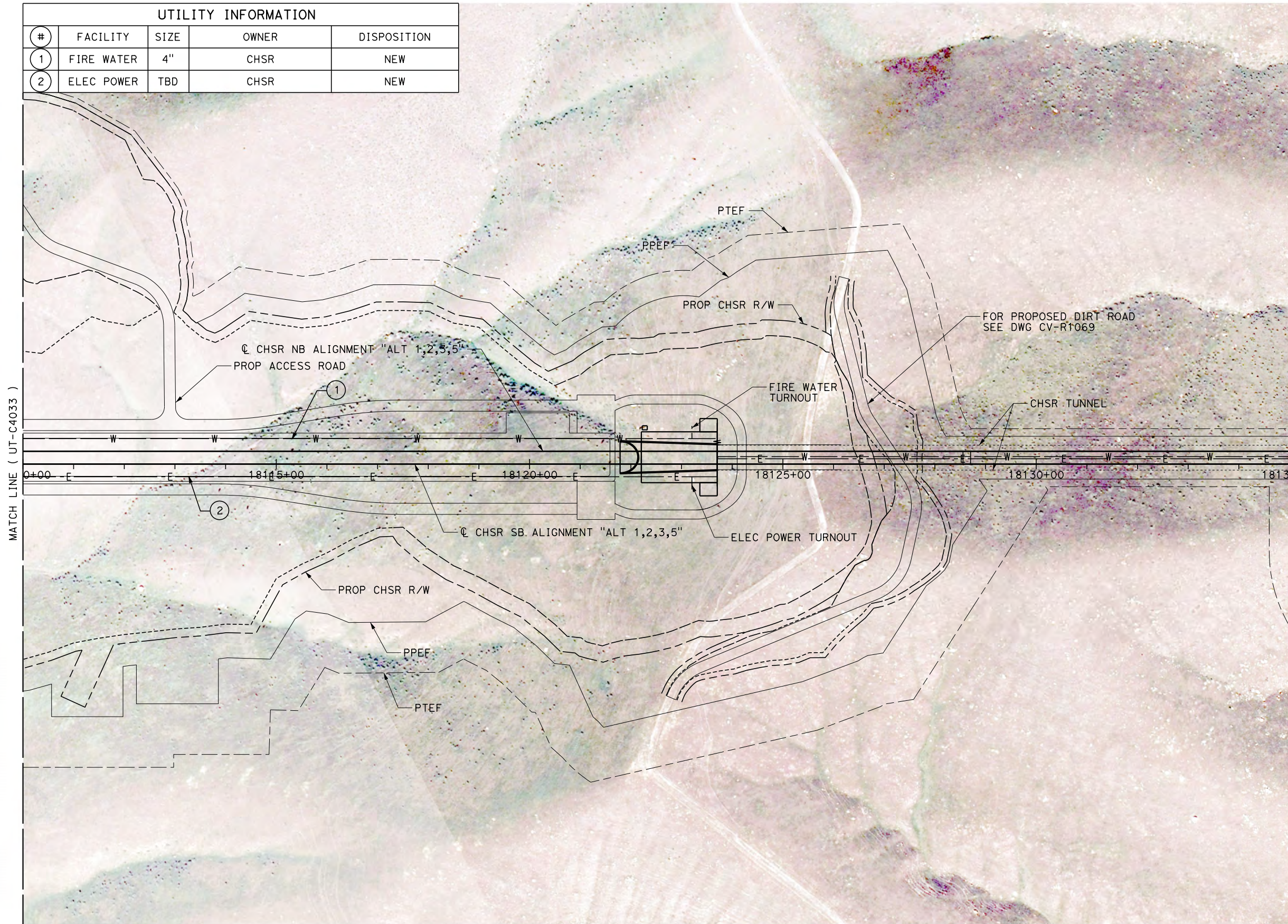
CONTRACT NO.
HSR13-44
DRAWING NO.
UT-C4033
SCALE
AS SHOWN
SHEET NO.
53

Projects\701206.00_CHSRBP\00_CADD\Sheet_Files\UT\A1\1_NBP_UT-C4034

1/23/2021 3:03:15 AM

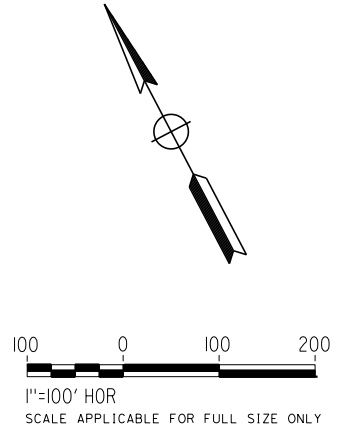
ics_user_17609

UTILITY INFORMATION				
#	FACILITY	SIZE	OWNER	DISPOSITION
1	FIRE WATER	4"	CHSR	NEW
2	ELEC POWER	TBD	CHSR	NEW



MATCH LINE (UT-C4033)

MATCH LINE (UT-C4035)



REV	DATE	BY	CHK	APP	DESCRIPTION

DESIGNED BY
D. HOLMAN
DRAWN BY
J. LOPEZ
CHECKED BY
G. CAMPBELL
IN CHARGE
G. CAMPBELL
DATE
01/29/2021

RECORD SET
PEPD
SUBMITTAL

NOT FOR
CONSTRUCTION



CALIFORNIA HIGH-SPEED RAIL PROJECT
BAKERSFIELD TO PALMDALE
COMPOSITE UTILITY PLANS
ALTERNATIVE 1,2,3,5
STA 18110+00 TO 18135+00

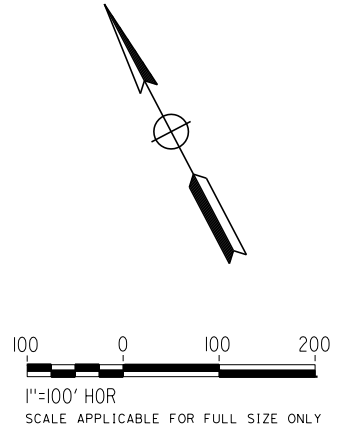
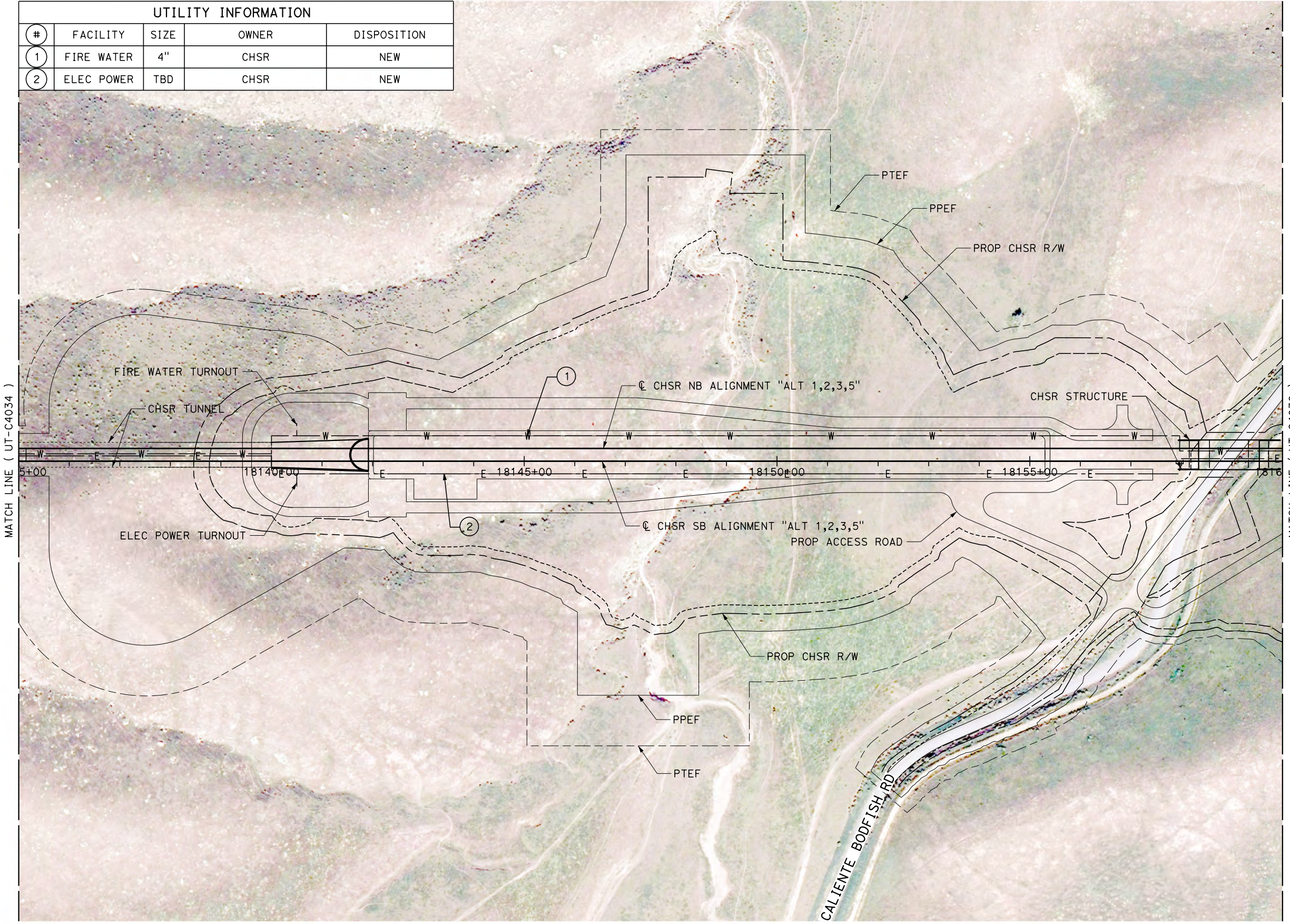
CONTRACT NO.
HSR13-44
DRAWING NO.
UT-C4034
SCALE
AS SHOWN
SHEET NO.
54

Projects\701206.00_CHSRBP\00_CADD\Sheet_Files\UT\1\1\BP-UT-C4035

1/23/2021 3:02:33 AM

ics_user_17609

UTILITY INFORMATION				
#	FACILITY	SIZE	OWNER	DISPOSITION
1	FIRE WATER	4"	CHSR	NEW
2	ELEC POWER	TBD	CHSR	NEW



REV	DATE	BY	CHK	APP	DESCRIPTION

DESIGNED BY
D. HOLMAN
DRAWN BY
J. LOPEZ
CHECKED BY
G. CAMPBELL
IN CHARGE
G. CAMPBELL
DATE
01/29/2021

**RECORD SET
PEPD
SUBMITTAL**

**NOT FOR
CONSTRUCTION**



**CALIFORNIA HIGH-SPEED RAIL PROJECT
BAKERSFIELD TO PALMDALE**

COMPOSITE UTILITY PLANS
ALTERNATIVE 1,2,3,5
STA 18135+00 TO 18160+00

CONTRACT NO.
HSR13-44

DRAWING NO.
UT-C4035

SCALE
AS SHOWN

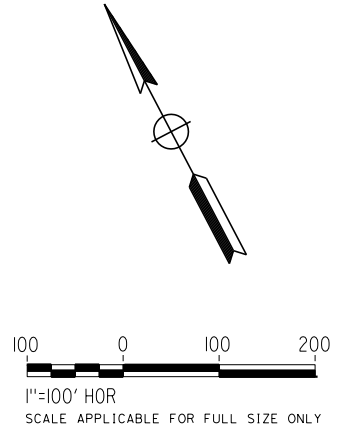
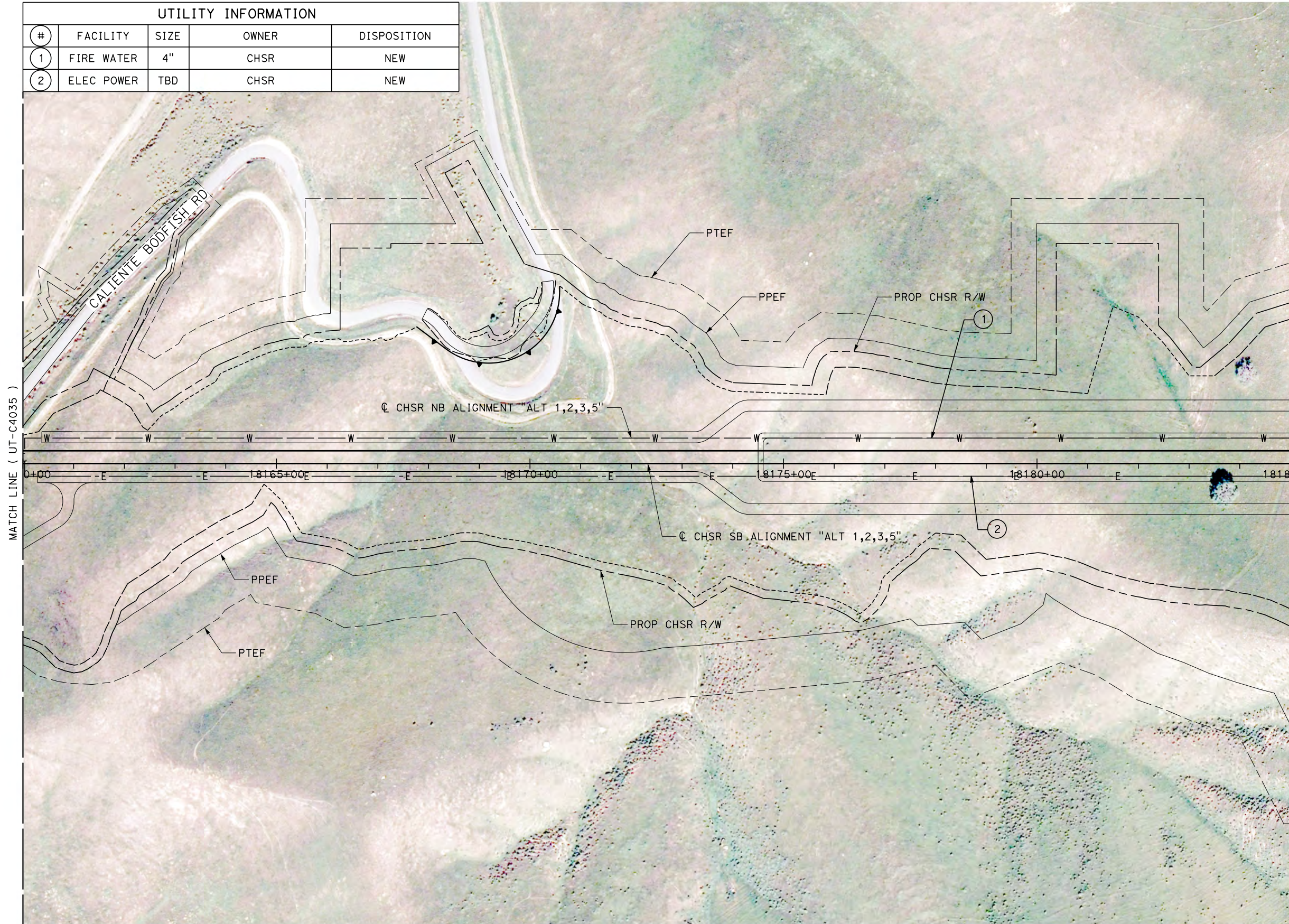
SHEET NO.
55

Projects\701206.00_CHSRBP\00_CADD\Sheet_Files\UT\AI\1\BP-UT-C4036

1/23/2021 3:02:41 AM

ics_user_17609

UTILITY INFORMATION				
#	FACILITY	SIZE	OWNER	DISPOSITION
1	FIRE WATER	4"	CHSR	NEW
2	ELEC POWER	TBD	CHSR	NEW



REV	DATE	BY	CHK	APP	DESCRIPTION

DESIGNED BY
D. HOLMAN
DRAWN BY
J. LOPEZ
CHECKED BY
G. CAMPBELL
IN CHARGE
G. CAMPBELL
DATE
01/29/2021

**RECORD SET
PEPD
SUBMITTAL**

**NOT FOR
CONSTRUCTION**



**CALIFORNIA HIGH-SPEED RAIL PROJECT
BAKERSFIELD TO PALMDALE**
COMPOSITE UTILITY PLANS
ALTERNATIVE 1,2,3,5
STA 18160+00 TO 18185+00

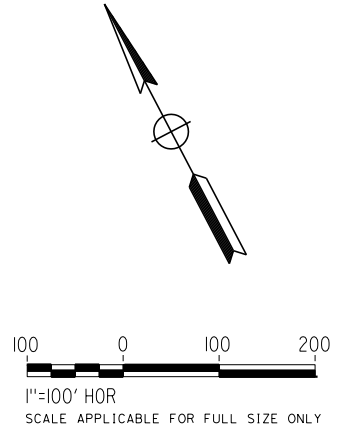
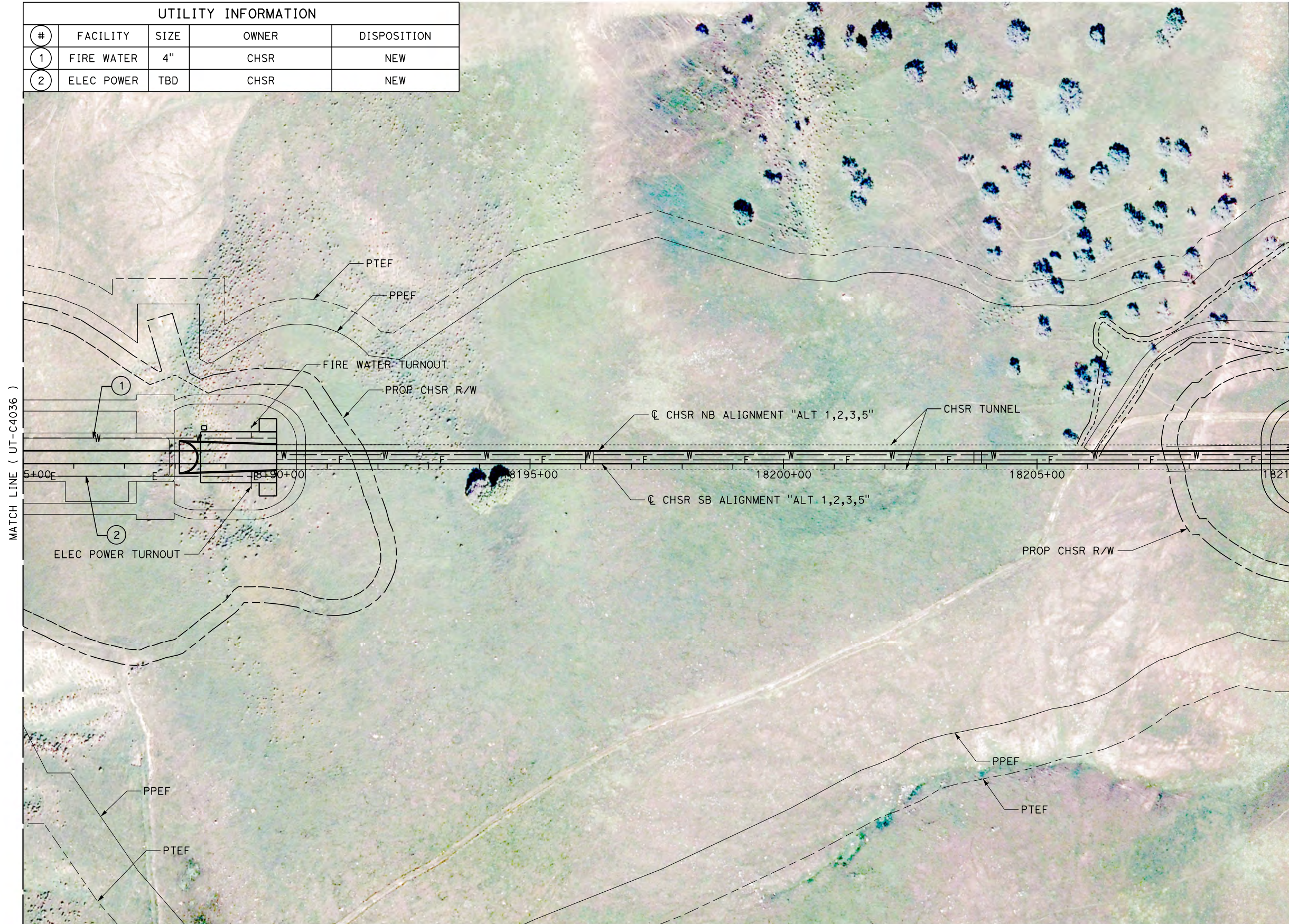
CONTRACT NO.
HSR13-44
DRAWING NO.
UT-C4036
SCALE
AS SHOWN
SHEET NO.
56

Projects\701206.00_CHSRBP\00_CADD\Sheet_Files\UT\AI\1_NBP_UT-C4037

1/23/2021 3:02:44 AM

ics_user_17609

UTILITY INFORMATION				
#	FACILITY	SIZE	OWNER	DISPOSITION
1	FIRE WATER	4"	CHSR	NEW
2	ELEC POWER	TBD	CHSR	NEW

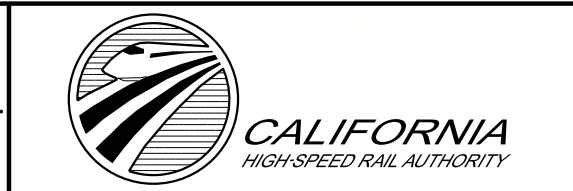


REV	DATE	BY	CHK	APP	DESCRIPTION

DESIGNED BY
D. HOLMAN
DRAWN BY
J. LOPEZ
CHECKED BY
G. CAMPBELL
IN CHARGE
G. CAMPBELL
DATE
01/29/2021

RECORD SET
PEPD
SUBMITTAL

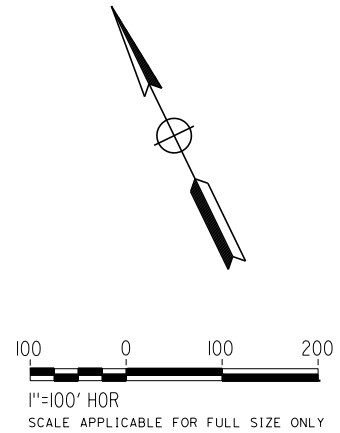
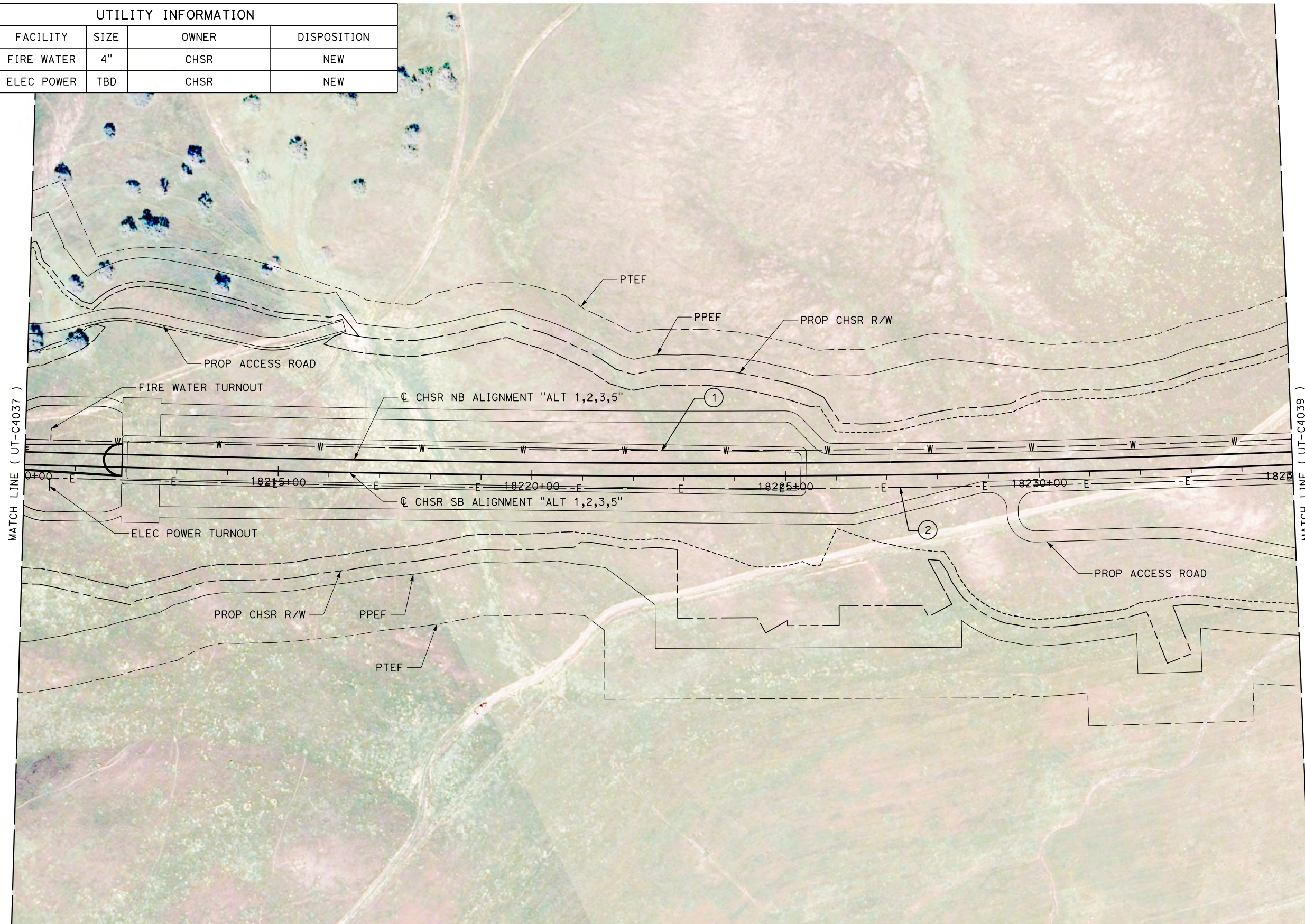
NOT FOR
CONSTRUCTION



CALIFORNIA HIGH-SPEED RAIL PROJECT
BAKERSFIELD TO PALMDALE
COMPOSITE UTILITY PLANS
ALTERNATIVE 1,2,3,5
STA 18185+00 TO 18210+00

CONTRACT NO.
HSR13-44
DRAWING NO.
UT-C4037
SCALE
AS SHOWN
SHEET NO.
57

UTILITY INFORMATION				
#	FACILITY	SIZE	OWNER	DISPOSITION
1	FIRE WATER	4"	CHSR	NEW
2	ELEC POWER	TBD	CHSR	NEW



Projects\701206.00_CHSRBP\00_CADD\Sheet_Files\UT\AI\1_NBP-UT-C4038

1/23/2021 3:02:36 AM

ics_user_17609

REV	DATE	BY	CHK	APP	DESCRIPTION

DESIGNED BY
D. HOLMAN
DRAWN BY
J. LOPEZ
CHECKED BY
G. CAMPBELL
IN CHARGE
G. CAMPBELL
DATE
01/29/2021

RECORD SET
PEPD
SUBMITTAL

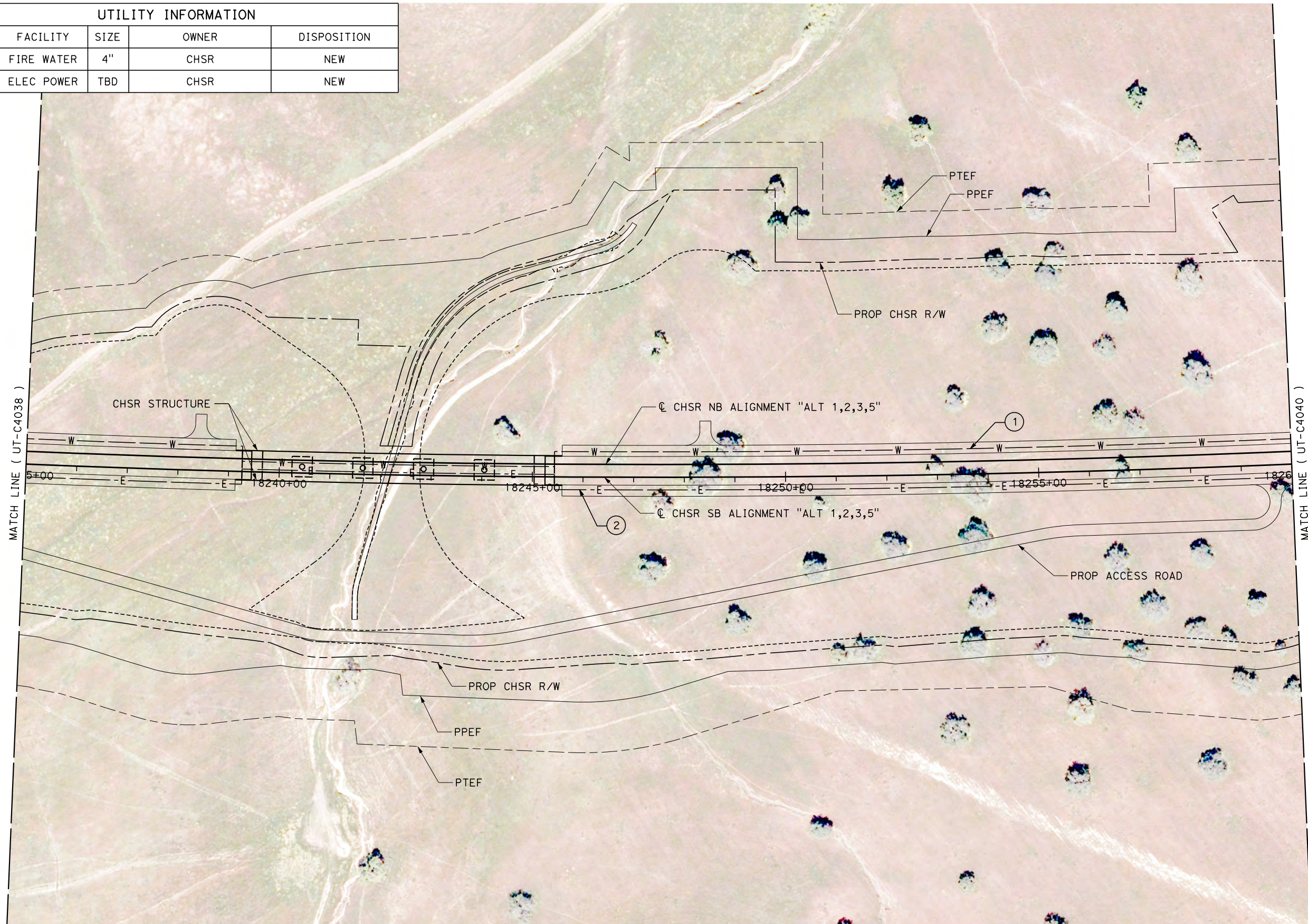
NOT FOR
CONSTRUCTION



CALIFORNIA HIGH-SPEED RAIL PROJECT
BAKERSFIELD TO PALMDALE
COMPOSITE UTILITY PLANS
ALTERNATIVE 1,2,3,5
STA 18210+00 TO 18235+00

CONTRACT NO.
HSR13-44
DRAWING NO.
UT-C4038
SCALE
AS SHOWN
SHEET NO.
58

UTILITY INFORMATION				
#	FACILITY	SIZE	OWNER	DISPOSITION
1	FIRE WATER	4"	CHSR	NEW
2	ELEC POWER	TBD	CHSR	NEW



Projects\701206.00_CHSRBP\00_CADD\Sheet_Files\UT\AI\1\BP-UT-C4039

1/23/2021 3:03:09 AM

ics_user_17609

REV	DATE	BY	CHK	APP	DESCRIPTION

DESIGNED BY
D. HOLMAN
DRAWN BY
J. LOPEZ
CHECKED BY
G. CAMPBELL
IN CHARGE
G. CAMPBELL
DATE
01/29/2021

**RECORD SET
PEPD
SUBMITTAL**

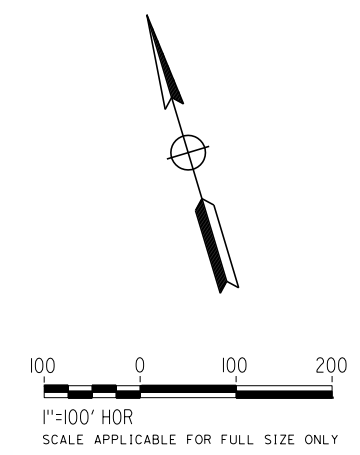
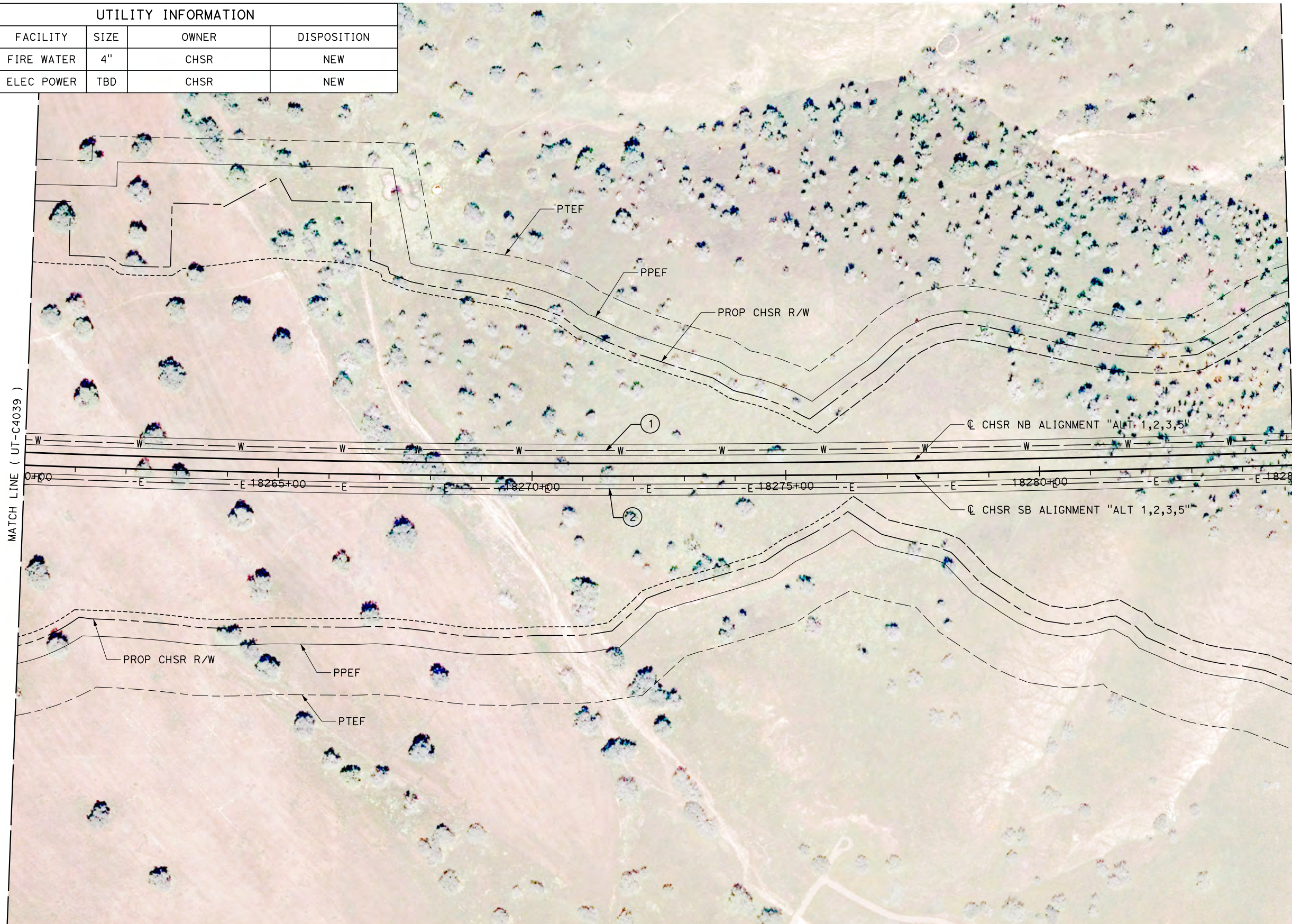
**NOT FOR
CONSTRUCTION**



**CALIFORNIA HIGH-SPEED RAIL PROJECT
BAKERSFIELD TO PALMDALE**
COMPOSITE UTILITY PLANS
ALTERNATIVE 1,2,3,5
STA 18235+00 TO 18260+00

CONTRACT NO.
HSR13-44
DRAWING NO.
UT-C4039
SCALE
AS SHOWN
SHEET NO.
59

UTILITY INFORMATION				
#	FACILITY	SIZE	OWNER	DISPOSITION
1	FIRE WATER	4"	CHSR	NEW
2	ELEC POWER	TBD	CHSR	NEW



1/23/2021 3:03:53 AM
 Projects\701206.00_CHSRBP\00_CADD\Sheet_Files\UT\A1\1_NBP-UT-C4040

REV	DATE	BY	CHK	APP	DESCRIPTION

DESIGNED BY
D. HOLMAN
 DRAWN BY
J. LOPEZ
 CHECKED BY
G. CAMPBELL
 IN CHARGE
G. CAMPBELL
 DATE
01/29/2021

RECORD SET
PEPD
SUBMITTAL

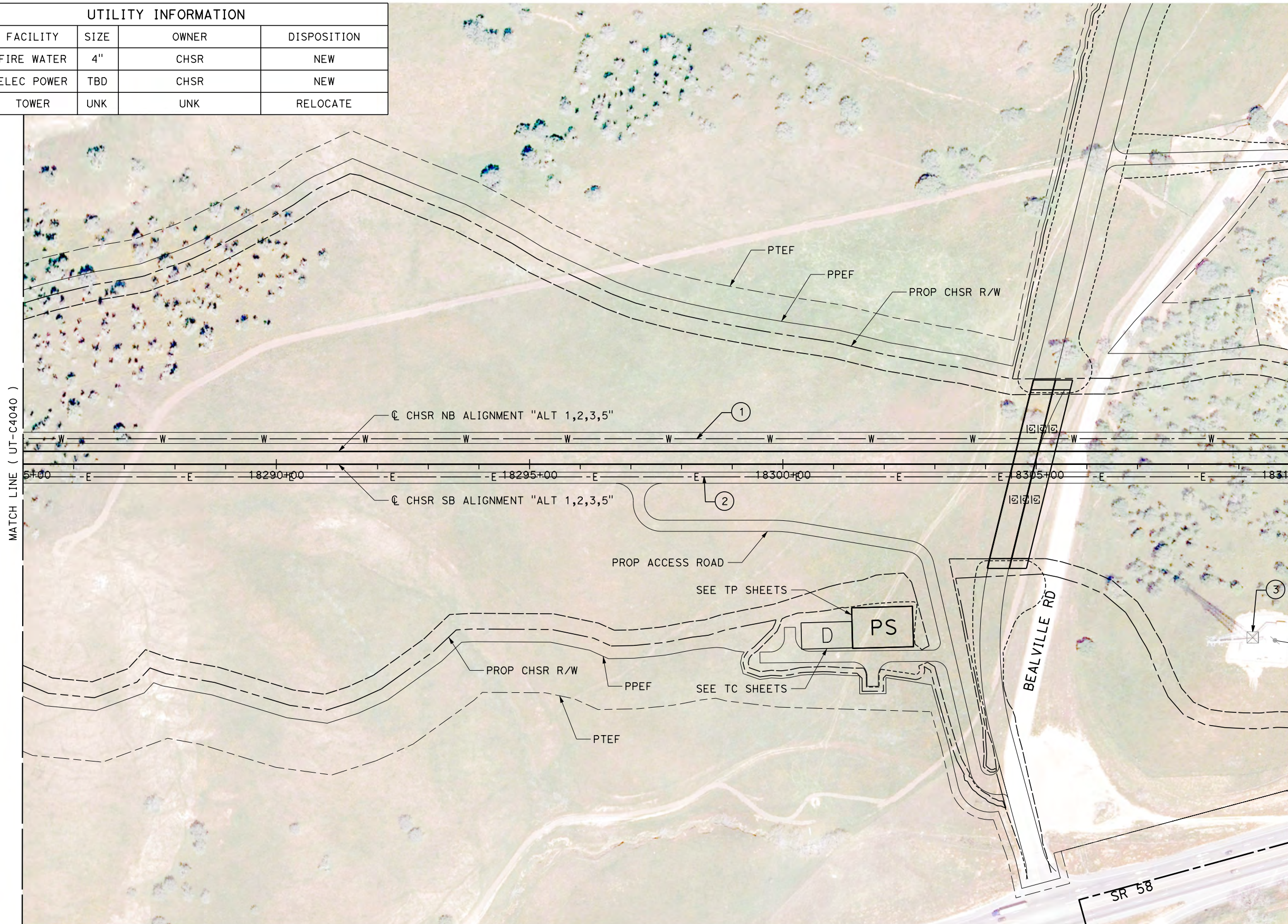
NOT FOR
CONSTRUCTION



CALIFORNIA HIGH-SPEED RAIL PROJECT
BAKERSFIELD TO PALMDALE
 COMPOSITE UTILITY PLANS
 ALTERNATIVE 1,2,3,5
 STA 18260+00 TO 18285+00

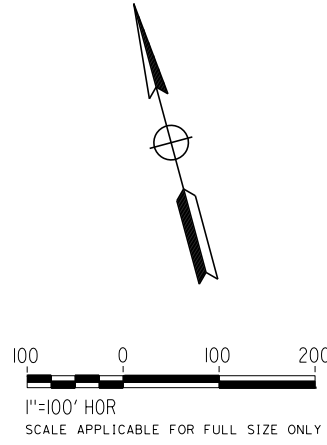
CONTRACT NO.
HSR13-44
 DRAWING NO.
UT-C4040
 SCALE
AS SHOWN
 SHEET NO.
60

UTILITY INFORMATION				
#	FACILITY	SIZE	OWNER	DISPOSITION
1	FIRE WATER	4"	CHSR	NEW
2	ELEC POWER	TBD	CHSR	NEW
3	TOWER	UNK	UNK	RELOCATE



MATCH LINE (UT-C4040)

MATCH LINE (UT-C4042)



Projects\701206.00_CHSRBP\00_CADD\Sheet_Files\UT\AI\1\BP-UT-C4041

1/23/2021 3:03:43 AM

ics_user_17609

REV	DATE	BY	CHK	APP	DESCRIPTION

DESIGNED BY
D. HOLMAN
DRAWN BY
J. LOPEZ
CHECKED BY
G. CAMPBELL
IN CHARGE
G. CAMPBELL
DATE
01/29/2021

RECORD SET
PEPD
SUBMITTAL

NOT FOR
CONSTRUCTION



CALIFORNIA HIGH-SPEED RAIL PROJECT
BAKERSFIELD TO PALMDALE
COMPOSITE UTILITY PLANS
ALTERNATIVE 1,2,3,5
STA 18285+00 TO 18310+00

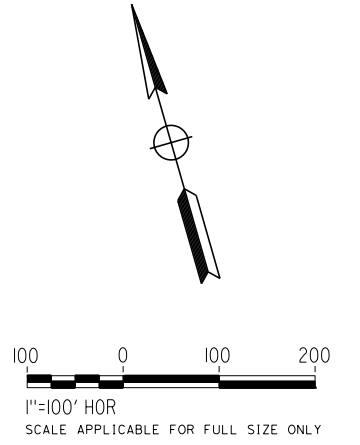
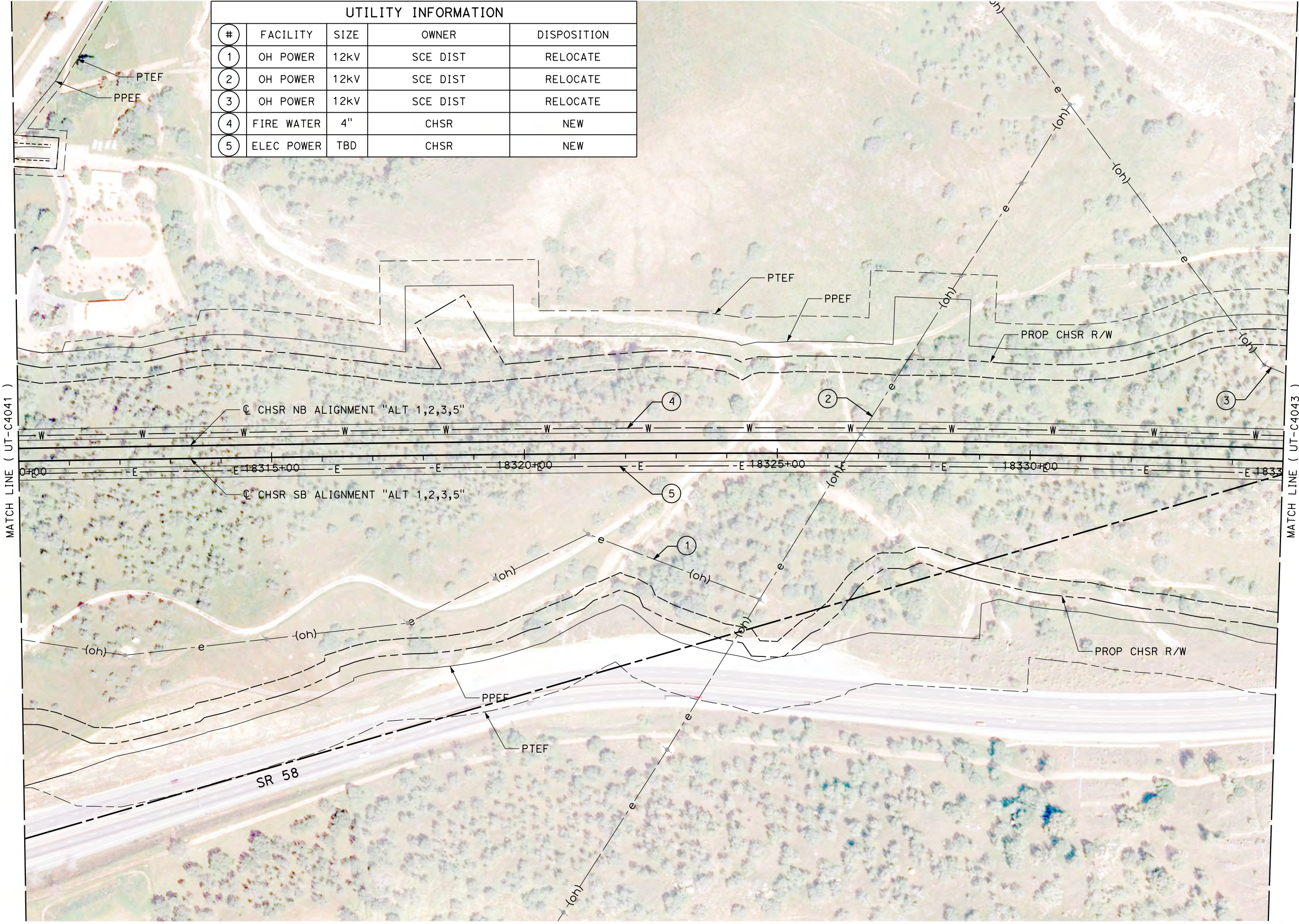
CONTRACT NO.
HSR13-44
DRAWING NO.
UT-C4041
SCALE
AS SHOWN
SHEET NO.
61

Projects\701206.00_CHSRBP\00_CADD\Sheet_Files\UT\A1\1_NBP-UT-C4042

1/23/2021 3:03:16 AM

ics_user_17609

UTILITY INFORMATION				
#	FACILITY	SIZE	OWNER	DISPOSITION
1	OH POWER	12kV	SCE DIST	RELOCATE
2	OH POWER	12kV	SCE DIST	RELOCATE
3	OH POWER	12kV	SCE DIST	RELOCATE
4	FIRE WATER	4"	CHSR	NEW
5	ELEC POWER	TBD	CHSR	NEW



REV	DATE	BY	CHK	APP	DESCRIPTION

DESIGNED BY
D. HOLMAN
DRAWN BY
J. LOPEZ
CHECKED BY
G. CAMPBELL
IN CHARGE
G. CAMPBELL
DATE
01/29/2021

**RECORD SET
PEPD
SUBMITTAL**

**NOT FOR
CONSTRUCTION**

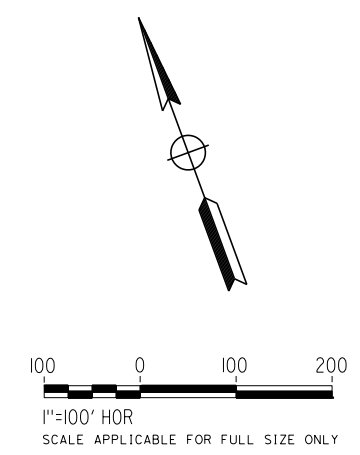
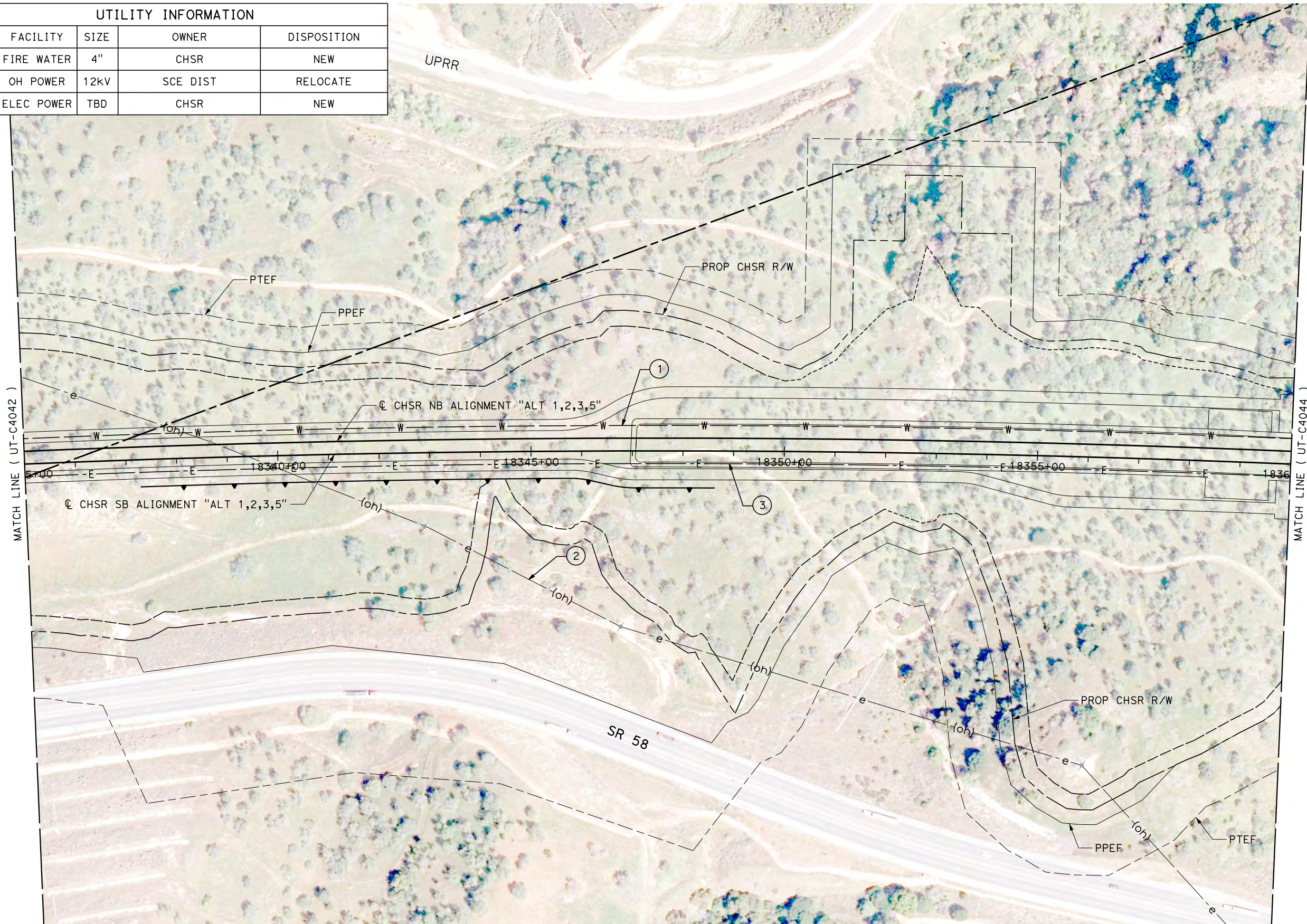


**CALIFORNIA HIGH-SPEED RAIL PROJECT
BAKERSFIELD TO PALMDALE**

COMPOSITE UTILITY PLANS
ALTERNATIVE 1,2,3,5
STA 18310+00 TO 18335+00

CONTRACT NO.
HSR13-44
DRAWING NO.
UT-C4042
SCALE
AS SHOWN
SHEET NO.
62

UTILITY INFORMATION				
#	FACILITY	SIZE	OWNER	DISPOSITION
1	FIRE WATER	4"	CHSR	NEW
2	OH POWER	12KV	SCE DIST	RELOCATE
3	ELEC POWER	TBD	CHSR	NEW



Projects\701206.00_CHSRBP\00_CADD\Sheet_Files\UT\A1\1_NBP_UT-C4043

1/23/2021 3:03:11 AM

jcs_user_17609

REV	DATE	BY	CHK	APP	DESCRIPTION

DESIGNED BY
D. HOLMAN

DRAWN BY
J. LOPEZ

CHECKED BY
G. CAMPBELL

IN CHARGE
G. CAMPBELL

DATE
01/29/2021

RECORD SET
PEPD
SUBMITTAL

NOT FOR
CONSTRUCTION



CALIFORNIA HIGH-SPEED RAIL PROJECT
BAKERSFIELD TO PALMDALE
COMPOSITE UTILITY PLANS
ALTERNATIVE 1,2,3,5
STA 18335+00 TO 18360+00

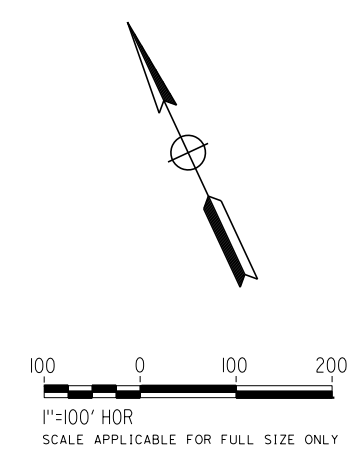
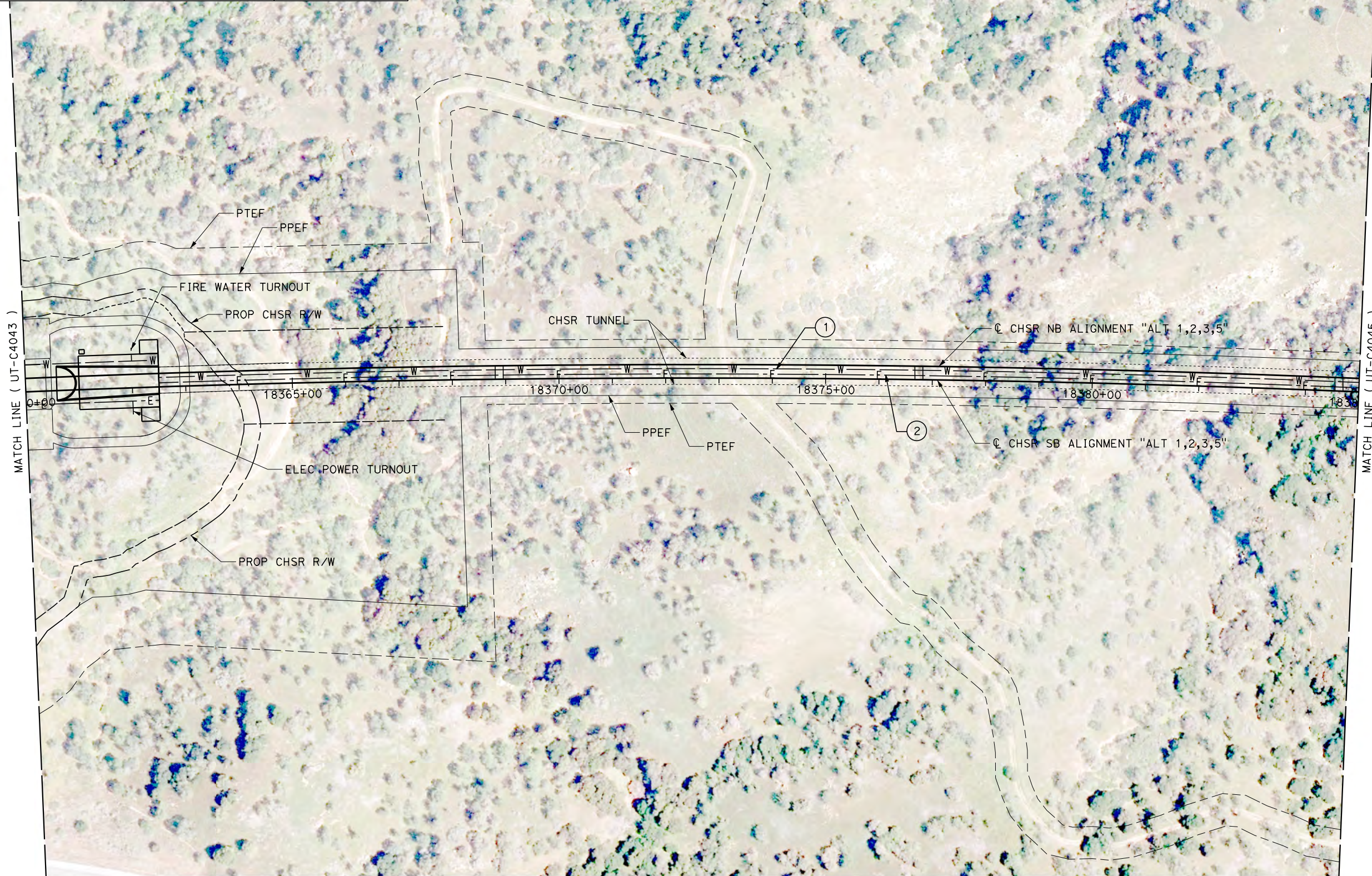
CONTRACT NO.
HSR13-44

DRAWING NO.
UT-C4043

SCALE
AS SHOWN

SHEET NO.
63

UTILITY INFORMATION				
#	FACILITY	SIZE	OWNER	DISPOSITION
1	FIRE WATER	4"	CHSR	NEW
2	ELEC POWER	TBD	CHSR	NEW



Projects\701206.00_CHSRBP\00_CADD\Sheet_Files\UT\A\1\BP-UT-C4044

1/23/2021 3:03:19 AM

jcs_user_17609

REV	DATE	BY	CHK	APP	DESCRIPTION

DESIGNED BY
D. HOLMAN

DRAWN BY
J. LOPEZ

CHECKED BY
G. CAMPBELL

IN CHARGE
G. CAMPBELL

DATE
01/29/2021

RECORD SET
PEPD
SUBMITTAL

NOT FOR
CONSTRUCTION



CALIFORNIA HIGH-SPEED RAIL PROJECT
BAKERSFIELD TO PALMDALE
COMPOSITE UTILITY PLANS
ALTERNATIVE 1,2,3,5
STA 18360+00 TO 18385+00

CONTRACT NO.
HSR13-44

DRAWING NO.
UT-C4044

SCALE
AS SHOWN

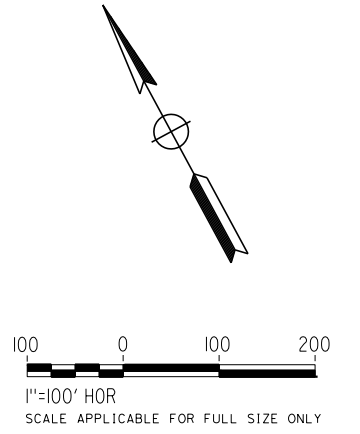
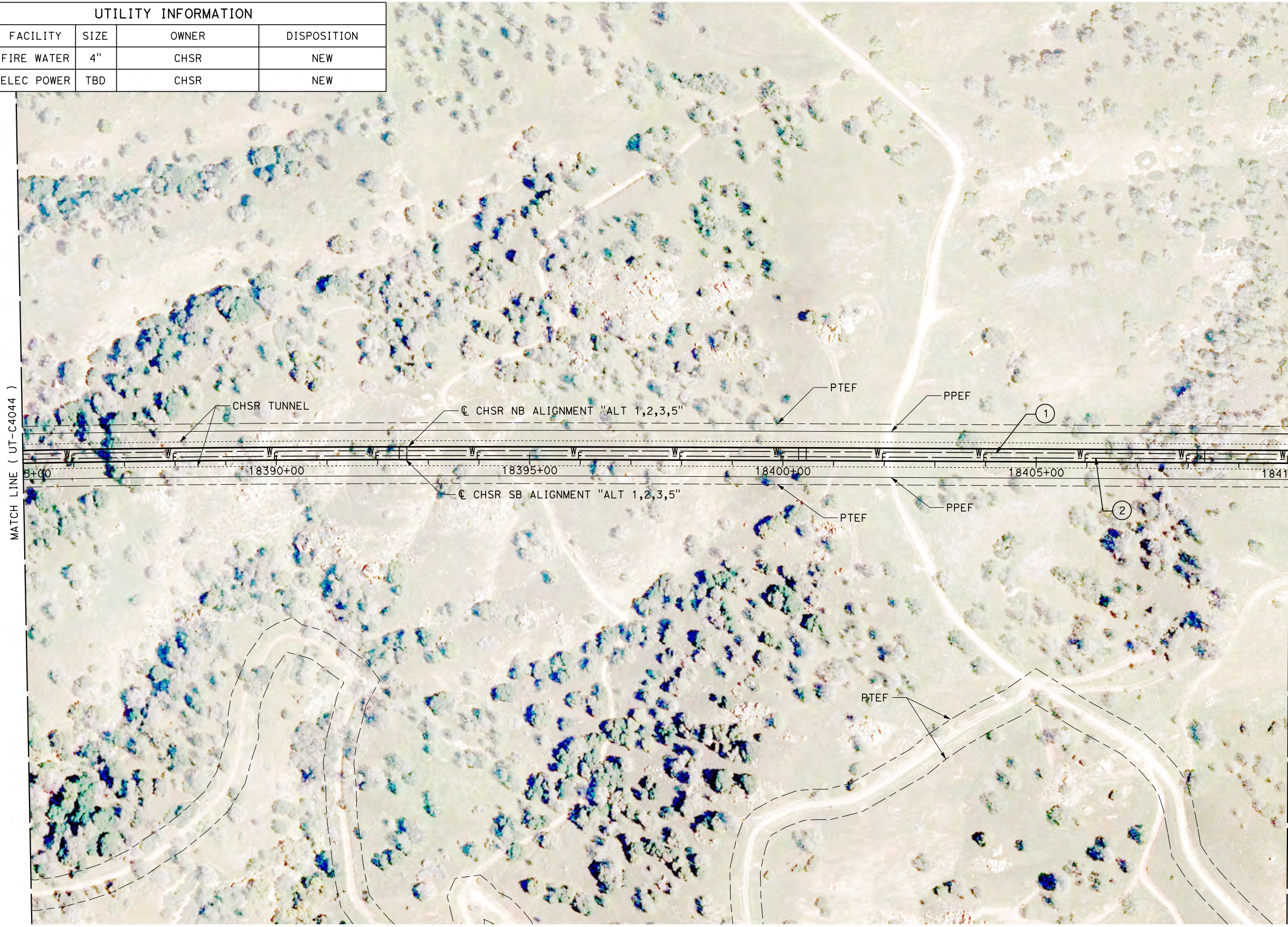
SHEET NO.
64

Projects\701206.00_CHSRBP\00_CADD\Sheet_Files\UT\AI\1_NBP-UT-C4045

1/23/2021 3:03:45 AM

ics_user_17609

UTILITY INFORMATION				
#	FACILITY	SIZE	OWNER	DISPOSITION
1	FIRE WATER	4"	CHSR	NEW
2	ELEC POWER	TBD	CHSR	NEW



REV	DATE	BY	CHK	APP	DESCRIPTION

DESIGNED BY
D. HOLMAN
DRAWN BY
J. LOPEZ
CHECKED BY
G. CAMPBELL
IN CHARGE
G. CAMPBELL
DATE
01/29/2021

**RECORD SET
PEPD
SUBMITTAL**

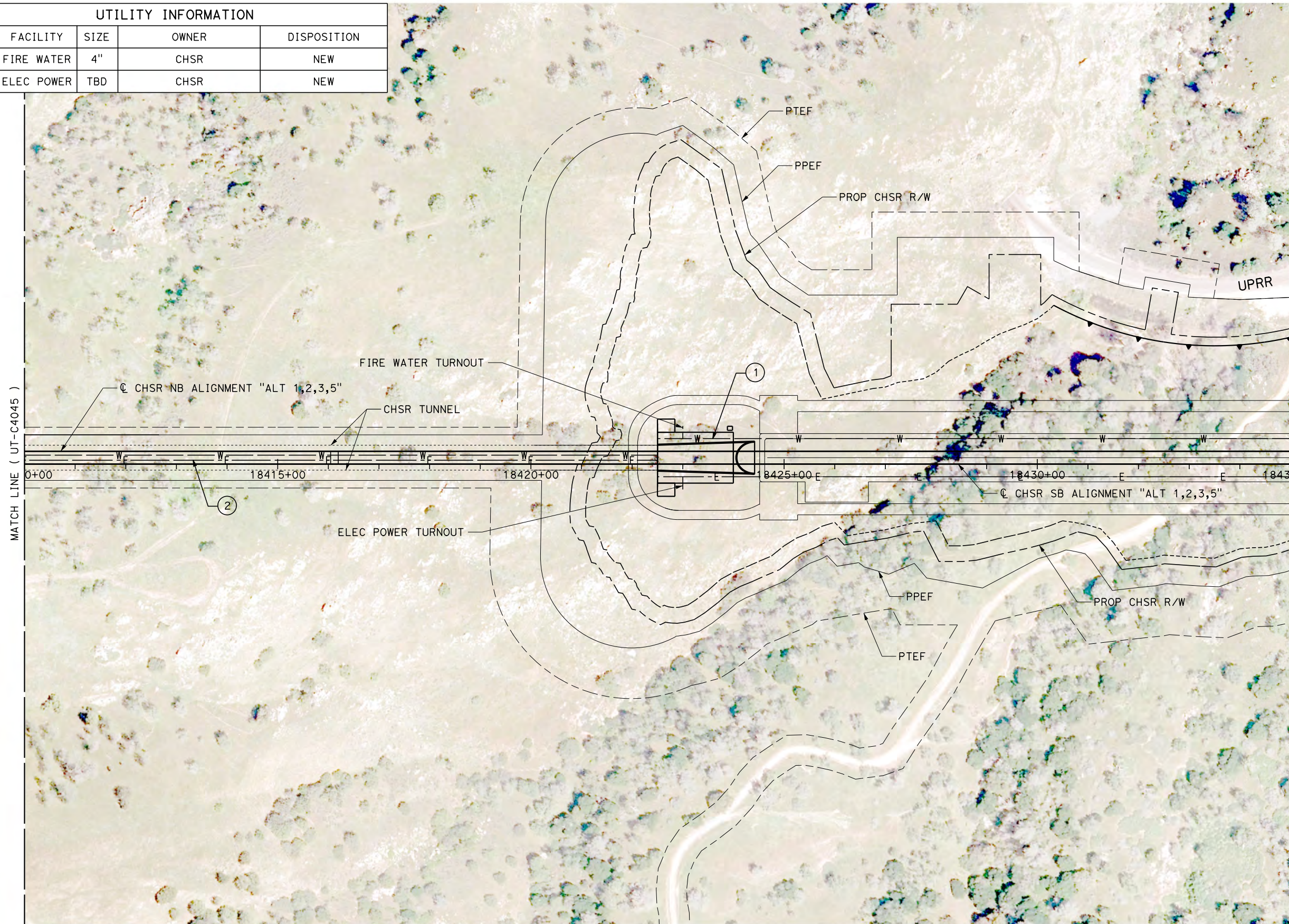
**NOT FOR
CONSTRUCTION**



**CALIFORNIA HIGH-SPEED RAIL PROJECT
BAKERSFIELD TO PALMDALE**
COMPOSITE UTILITY PLANS
ALTERNATIVE 1,2,3,5
STA 18385+00 TO 18410+00

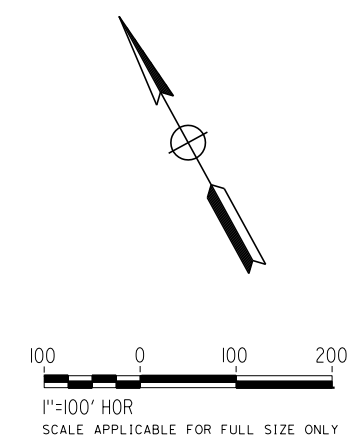
CONTRACT NO.
HSR13-44
DRAWING NO.
UT-C4045
SCALE
AS SHOWN
SHEET NO.
65

UTILITY INFORMATION				
#	FACILITY	SIZE	OWNER	DISPOSITION
1	FIRE WATER	4"	CHSR	NEW
2	ELEC POWER	TBD	CHSR	NEW



MATCH LINE (UT-C4045)

MATCH LINE (UT-C4047)



Projects\701206.00_CHSRBP\00_CADD\Sheet_Files\UT\A1\1\BP-UT-C4046

1/23/2021 3:03:48 AM

jcs_user_17609

REV	DATE	BY	CHK	APP	DESCRIPTION

DESIGNED BY
D. HOLMAN

DRAWN BY
J. LOPEZ

CHECKED BY
G. CAMPBELL

IN CHARGE
G. CAMPBELL

DATE
01/29/2021

RECORD SET
PEPD
SUBMITTAL

NOT FOR
CONSTRUCTION



CALIFORNIA HIGH-SPEED RAIL PROJECT
BAKERSFIELD TO PALMDALE
COMPOSITE UTILITY PLANS
ALTERNATIVE 1,2,3,5
STA 18410+00 TO 18435+00

CONTRACT NO.
HSR13-44

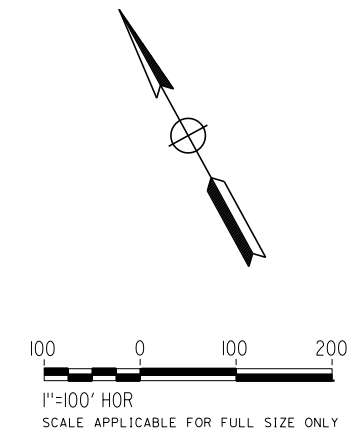
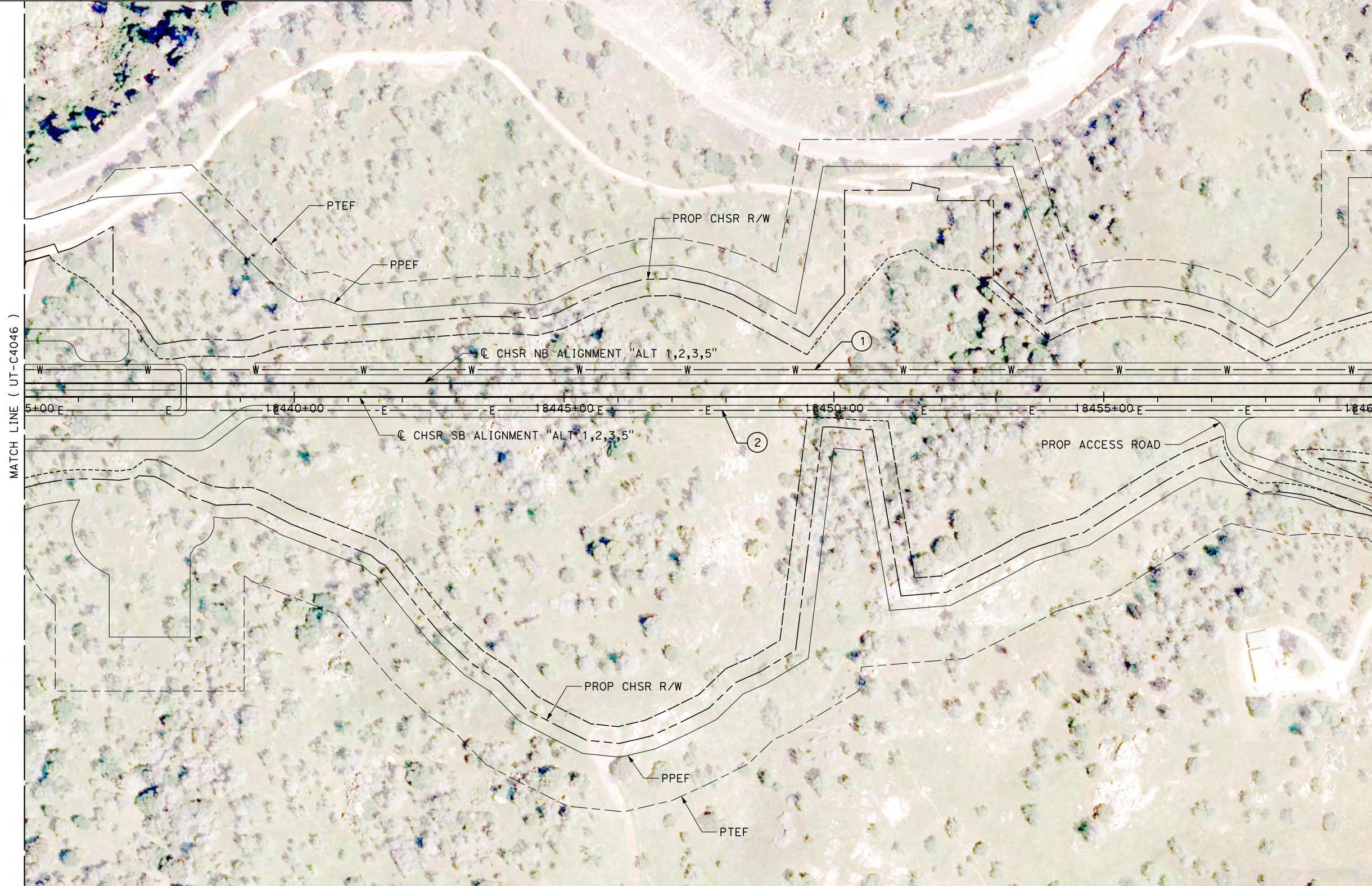
DRAWING NO.
UT-C4046

SCALE
AS SHOWN

SHEET NO.
66

UTILITY INFORMATION				
#	FACILITY	SIZE	OWNER	DISPOSITION
1	FIRE WATER	4"	CHSR	NEW
2	ELEC POWER	TBD	CHSR	NEW

UPRR



Projects\701206.00_CHSRBP\00_CADD\Sheet_Files\UT\A1\1_NBP-UT-C4047

1/23/2021 3:03:54 AM

jcs_user_17609

REV	DATE	BY	CHK	APP	DESCRIPTION

DESIGNED BY
D. HOLMAN

DRAWN BY
J. LOPEZ

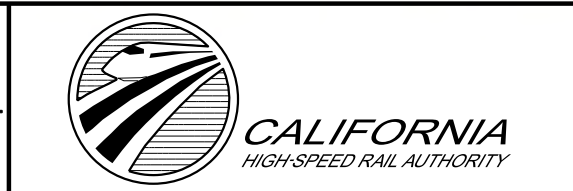
CHECKED BY
G. CAMPBELL

IN CHARGE
G. CAMPBELL

DATE
01/29/2021

RECORD SET
PEPD
SUBMITTAL

NOT FOR
CONSTRUCTION



CALIFORNIA HIGH-SPEED RAIL PROJECT
BAKERSFIELD TO PALMDALE
COMPOSITE UTILITY PLANS
ALTERNATIVE 1,2,3,5
STA 18435+00 TO 18460+00

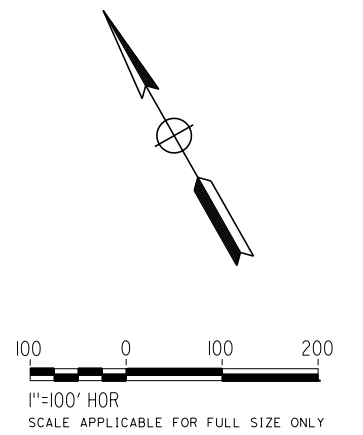
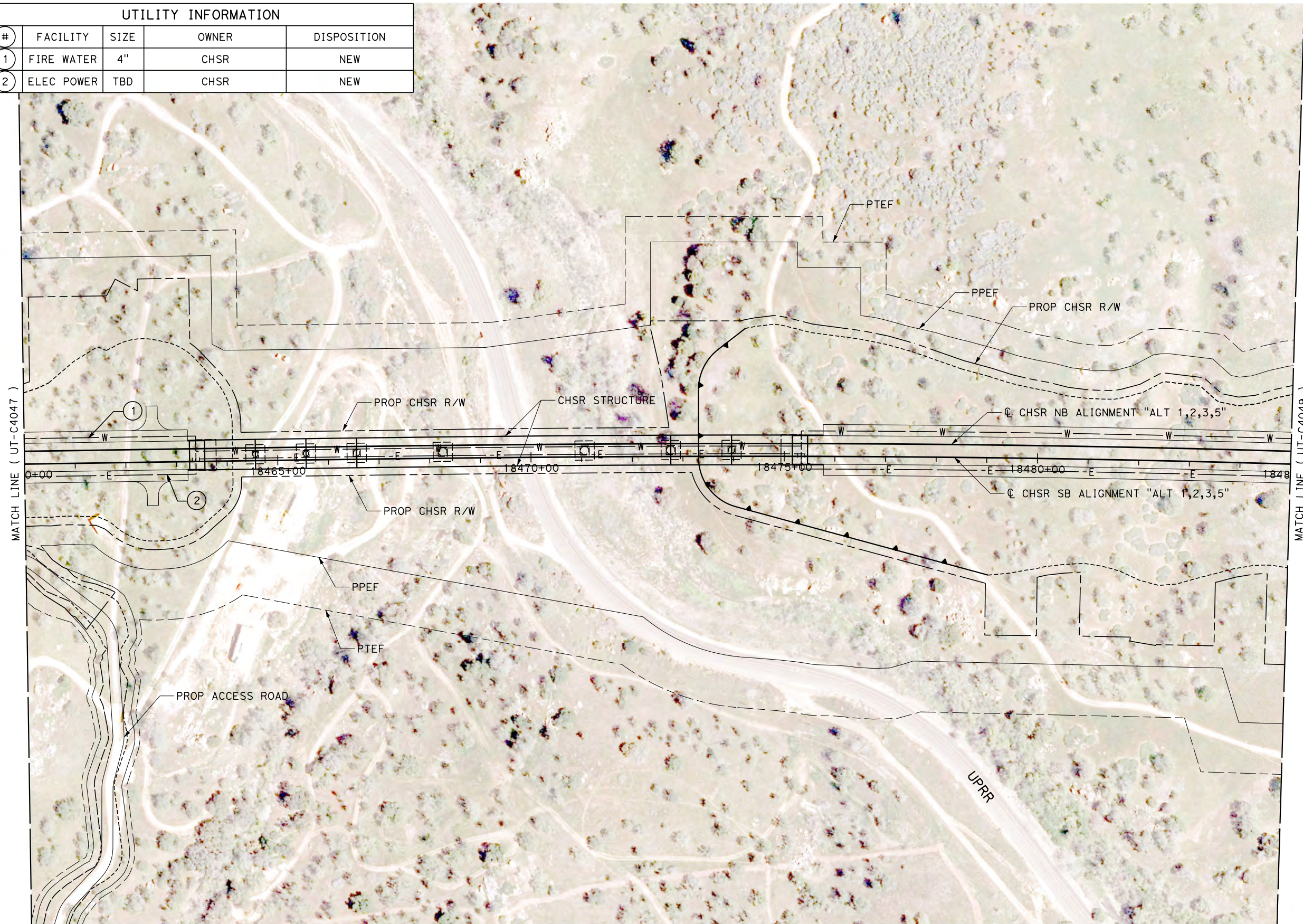
CONTRACT NO.
HSR13-44

DRAWING NO.
UT-C4047

SCALE
AS SHOWN

SHEET NO.
67

UTILITY INFORMATION				
#	FACILITY	SIZE	OWNER	DISPOSITION
1	FIRE WATER	4"	CHSR	NEW
2	ELEC POWER	TBD	CHSR	NEW



Projects\701206.00_CHSRBP\00_CADD\Sheet_Files\UT\AI\1\BP_UT-C4048

1/23/2021 3:04:17 AM

jcs_user_17609

REV	DATE	BY	CHK	APP	DESCRIPTION

DESIGNED BY
D. HOLMAN

DRAWN BY
J. LOPEZ

CHECKED BY
G. CAMPBELL

IN CHARGE
G. CAMPBELL

DATE
01/29/2021

RECORD SET
PEPD
SUBMITTAL

NOT FOR
CONSTRUCTION



CALIFORNIA HIGH-SPEED RAIL PROJECT
BAKERSFIELD TO PALMDALE
COMPOSITE UTILITY PLANS
ALTERNATIVE 1,2,3,5
STA 18460+00 TO 18485+00

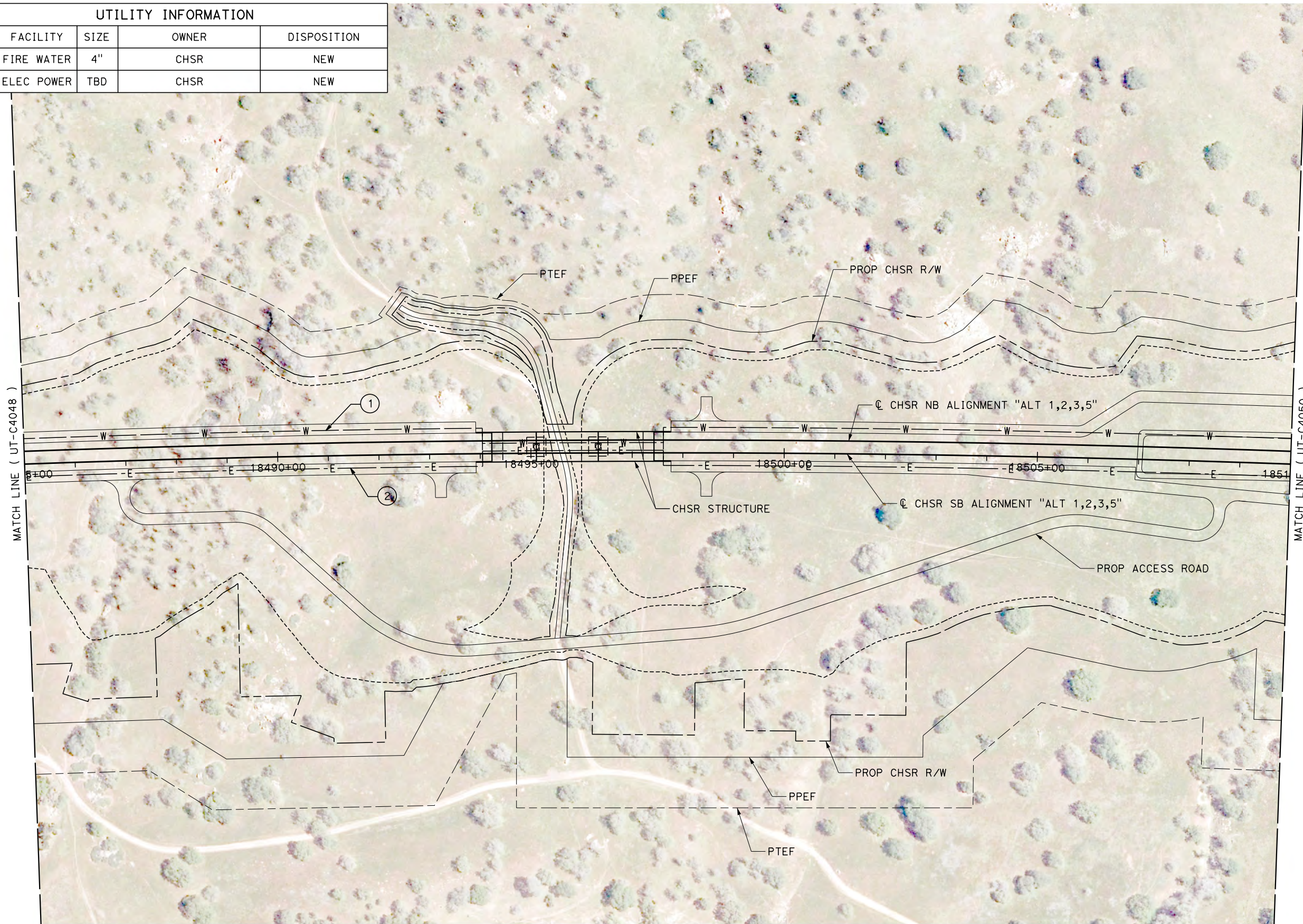
CONTRACT NO.
HSR13-44

DRAWING NO.
UT-C4048

SCALE
AS SHOWN

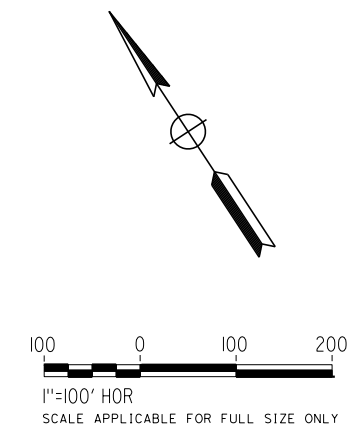
SHEET NO.
68

UTILITY INFORMATION				
#	FACILITY	SIZE	OWNER	DISPOSITION
1	FIRE WATER	4"	CHSR	NEW
2	ELEC POWER	TBD	CHSR	NEW



MATCH LINE (UT-C4048)

MATCH LINE (UT-C4050)



Projects\701206.00_CHSRBP\00_CADD\Sheet Files\UT\A1\1_NBP_UT-C4049

1/23/2021 3:03:57 AM

ics_user_17609

REV	DATE	BY	CHK	APP	DESCRIPTION

DESIGNED BY
D. HOLMAN
DRAWN BY
J. LOPEZ
CHECKED BY
G. CAMPBELL
IN CHARGE
G. CAMPBELL
DATE
01/29/2021

**RECORD SET
PEPD
SUBMITTAL**

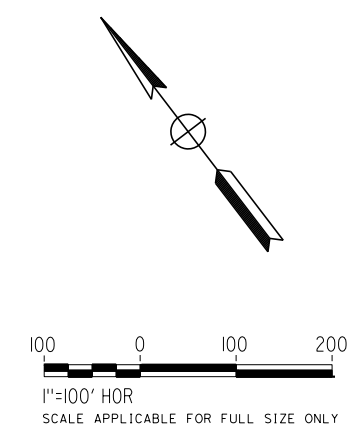
**NOT FOR
CONSTRUCTION**



**CALIFORNIA HIGH-SPEED RAIL PROJECT
BAKERSFIELD TO PALMDALE**
COMPOSITE UTILITY PLANS
ALTERNATIVE 1,2,3,5
STA 18485+00 TO 18510+00

CONTRACT NO.
HSR13-44
DRAWING NO.
UT-C4049
SCALE
AS SHOWN
SHEET NO.
69

UTILITY INFORMATION				
#	FACILITY	SIZE	OWNER	DISPOSITION
1	FIRE WATER	4"	CHSR	NEW
2	ELEC POWER	TBD	CHSR	NEW



Projects\701206.00_CHSRBP\00_CADD\Sheet Files\UT\AI\1_NBP-UT-C4050

1/23/2021 3:04:20 AM

ics_user_17609

REV	DATE	BY	CHK	APP	DESCRIPTION

DESIGNED BY
D. HOLMAN

DRAWN BY
J. LOPEZ

CHECKED BY
G. CAMPBELL

IN CHARGE
G. CAMPBELL

DATE
01/29/2021

RECORD SET
PEPD
SUBMITTAL

NOT FOR
CONSTRUCTION



CALIFORNIA HIGH-SPEED RAIL PROJECT
BAKERSFIELD TO PALMDALE
COMPOSITE UTILITY PLANS
ALTERNATIVE 1,2,3,5
STA 18510+00 TO 18535+00

CONTRACT NO.
HSR13-44

DRAWING NO.
UT-C4050

SCALE
AS SHOWN

SHEET NO.
70