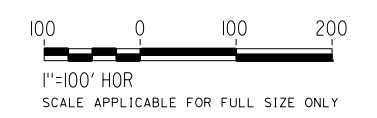
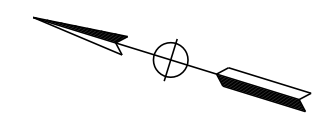
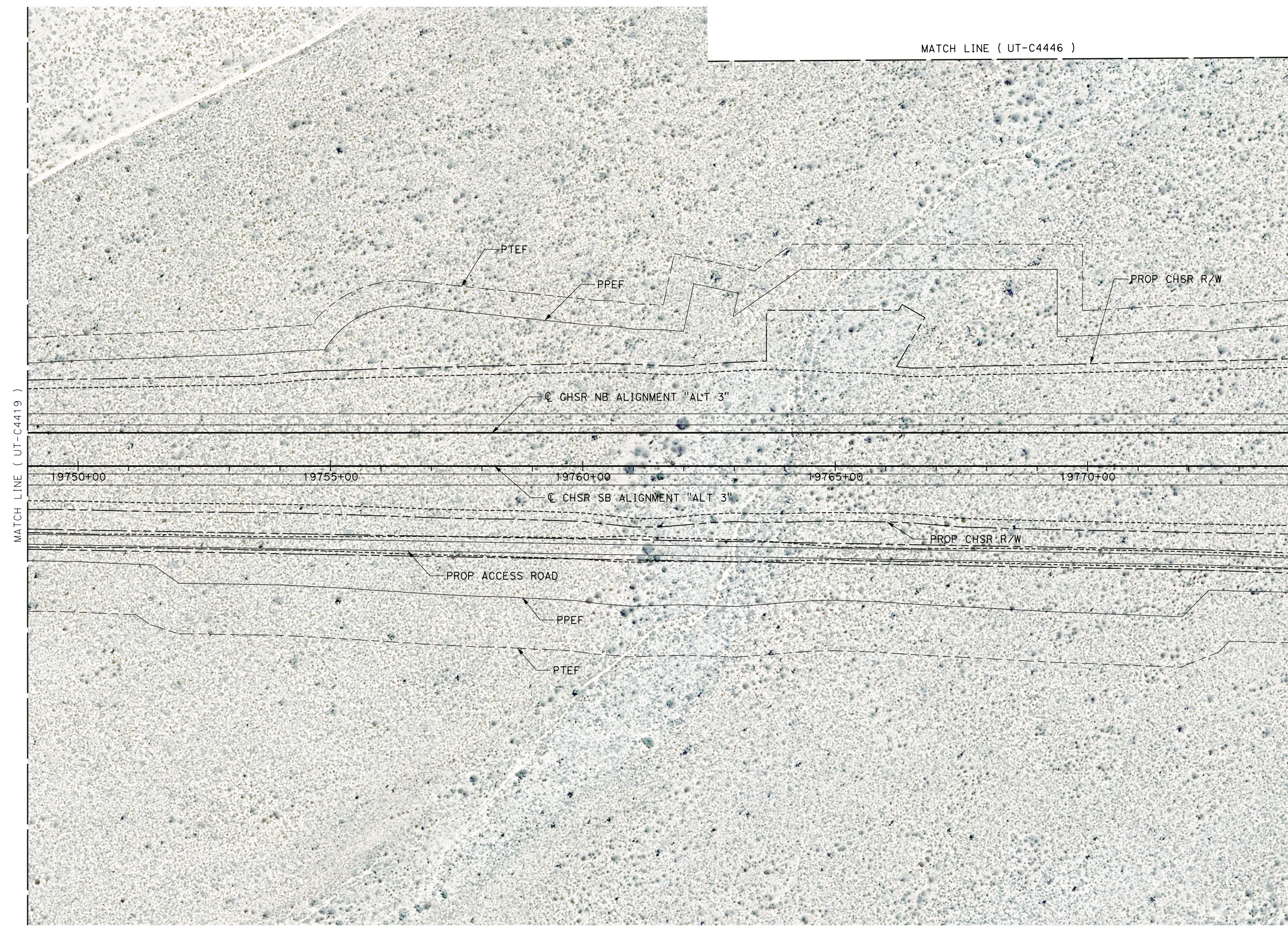


Projects\701206.00_CHSRBP\00_CADD\Sheet_Files\UT\Alt3 (Tenachopi 2)\BP-UT-C4420

1/20/2021 4:39:59 AM

ics_user_17609



REV	DATE	BY	CHK	APP	DESCRIPTION

DESIGNED BY
D. HOLMAN
DRAWN BY
J. LOPEZ
CHECKED BY
G. CAMPBELL
IN CHARGE
G. CAMPBELL
DATE
01/29/2021

**RECORD SET
PEPD
SUBMITTAL**

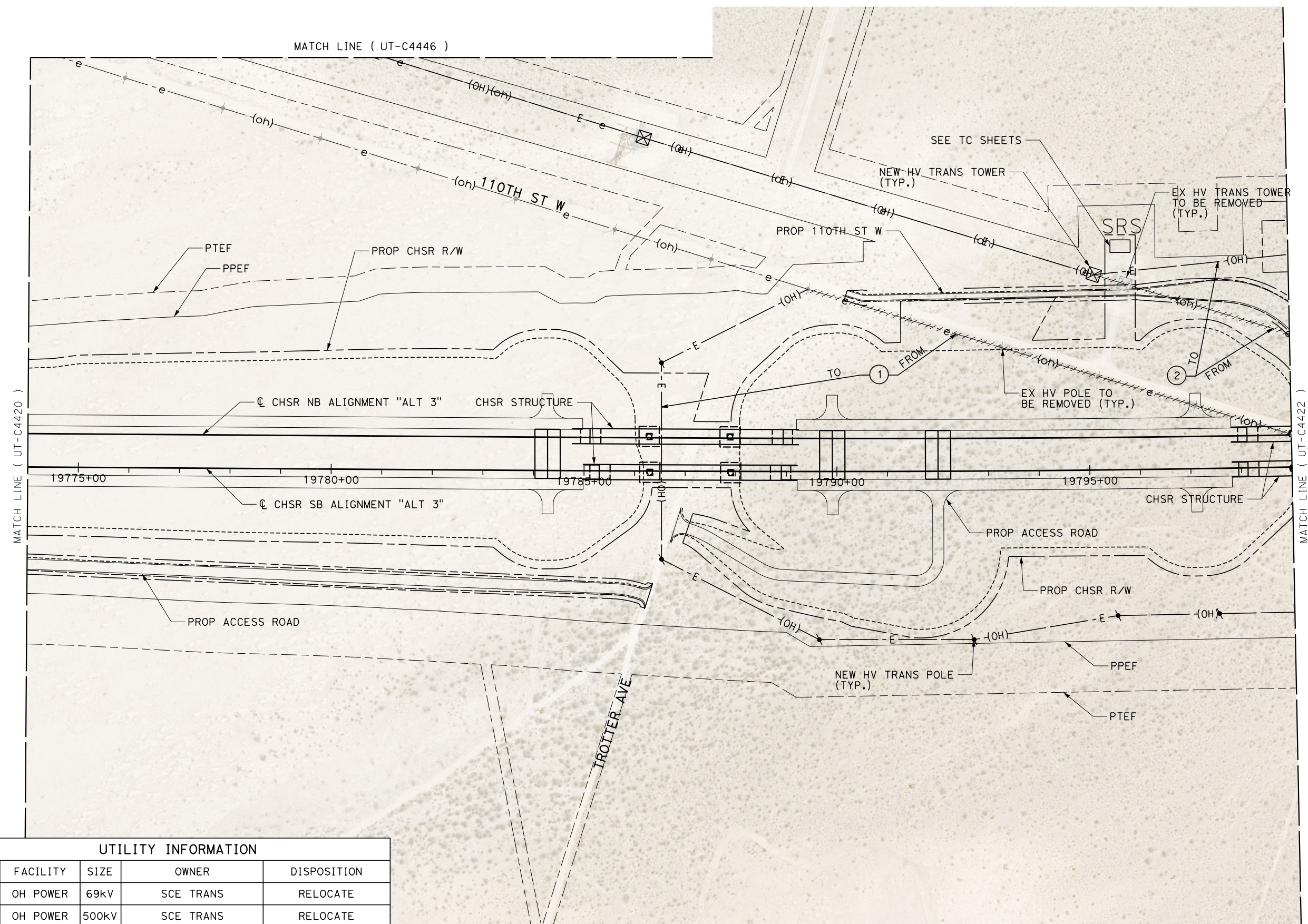
**NOT FOR
CONSTRUCTION**



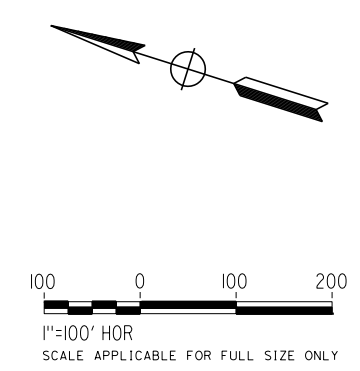
**CALIFORNIA HIGH-SPEED RAIL PROJECT
BAKERSFIELD TO PALMDALE**
COMPOSITE UTILITY PLANS
ALTERNATIVE 3
STA 19749+00 TO 19774+00

CONTRACT NO.
HSR13-44
DRAWING NO.
UT-C4420
SCALE
AS SHOWN
SHEET NO.
295

1/20/2021 4:40:52 AM
 Projects\701206.00_CHSRBP\00_CADD\Sheet Files\UT\Alt3 (Tehachapi 2)\BP-UT-C4421
 jcs_user_17609



UTILITY INFORMATION				
#	FACILITY	SIZE	OWNER	DISPOSITION
1	OH POWER	69kV	SCE TRANS	RELOCATE
2	OH POWER	500kV	SCE TRANS	RELOCATE



REV	DATE	BY	CHK	APP	DESCRIPTION

DESIGNED BY
D. HOLMAN
 DRAWN BY
J. LOPEZ
 CHECKED BY
G. CAMPBELL
 IN CHARGE
G. CAMPBELL
 DATE
01/29/2021

**RECORD SET
 PEPD
 SUBMITTAL**

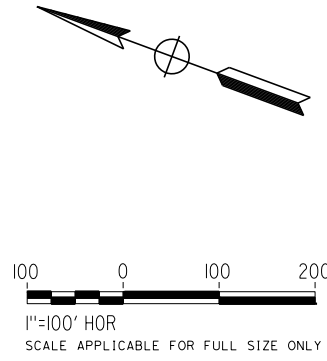
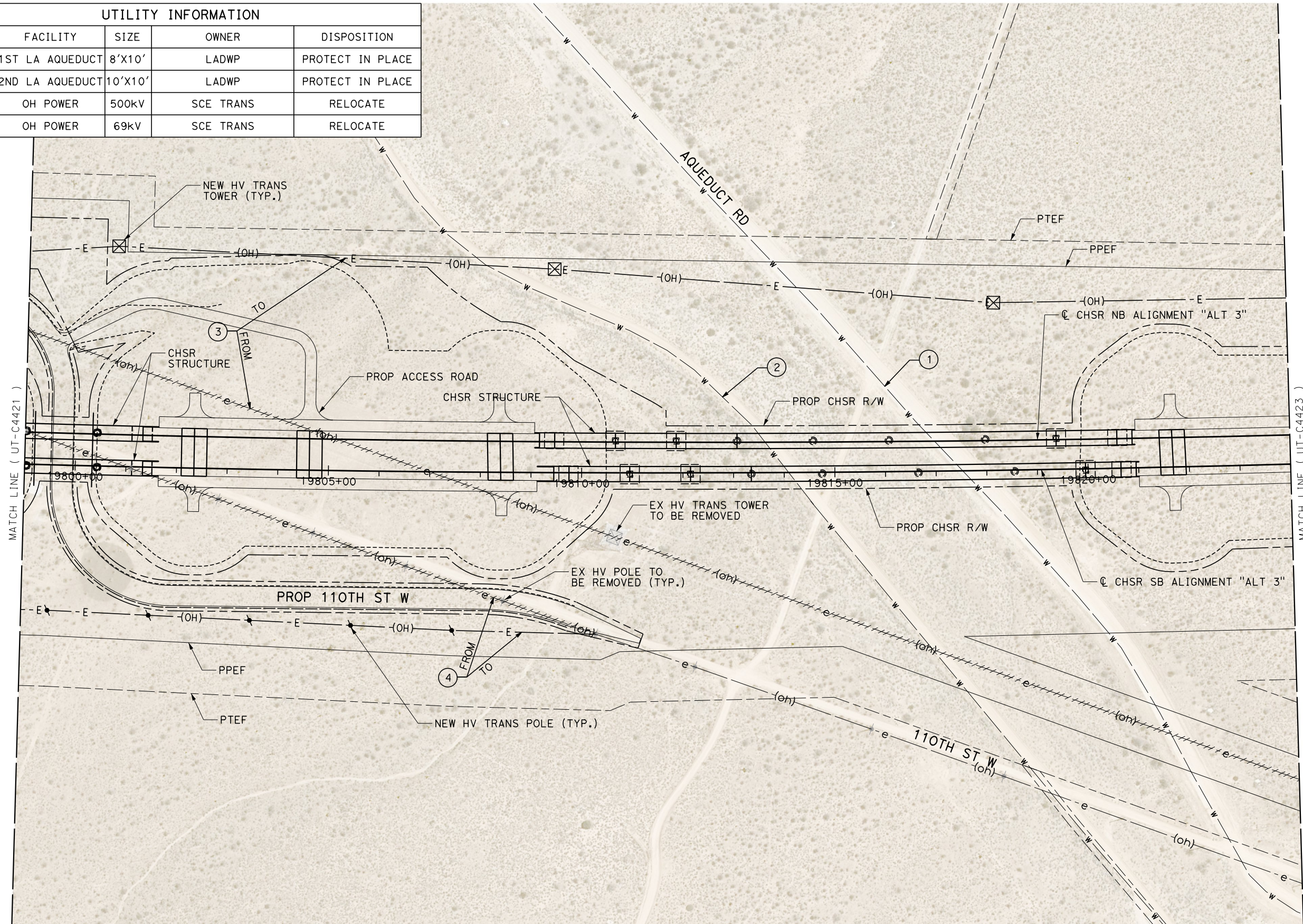
**NOT FOR
 CONSTRUCTION**



**CALIFORNIA HIGH-SPEED RAIL PROJECT
 BAKERSFIELD TO PALMDALE**
 COMPOSITE UTILITY PLANS
 ALTERNATIVE 3
 STA 19774+00 TO 19799+00

CONTRACT NO.
HSR13-44
 DRAWING NO.
UT-C4421
 SCALE
AS SHOWN
 SHEET NO.
296

UTILITY INFORMATION				
#	FACILITY	SIZE	OWNER	DISPOSITION
1	1ST LA AQUEDUCT	8'X10'	LADWP	PROTECT IN PLACE
2	2ND LA AQUEDUCT	10'X10'	LADWP	PROTECT IN PLACE
3	OH POWER	500kV	SCE TRANS	RELOCATE
4	OH POWER	69kV	SCE TRANS	RELOCATE



1/20/2021 4:42:10 AM
 Projects\T01206.00_CHSRBP\00_CADD\Sheet Files\UT\Alt3 (Tenachopi 2)\BP-UT-C4422
 jcs_user_17609

REV	DATE	BY	CHK	APP	DESCRIPTION

DESIGNED BY
D. HOLMAN
 DRAWN BY
J. LOPEZ
 CHECKED BY
G. CAMPBELL
 IN CHARGE
G. CAMPBELL
 DATE
01/29/2021

RECORD SET
PEPD
SUBMITTAL

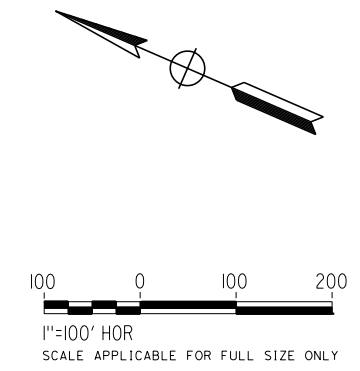
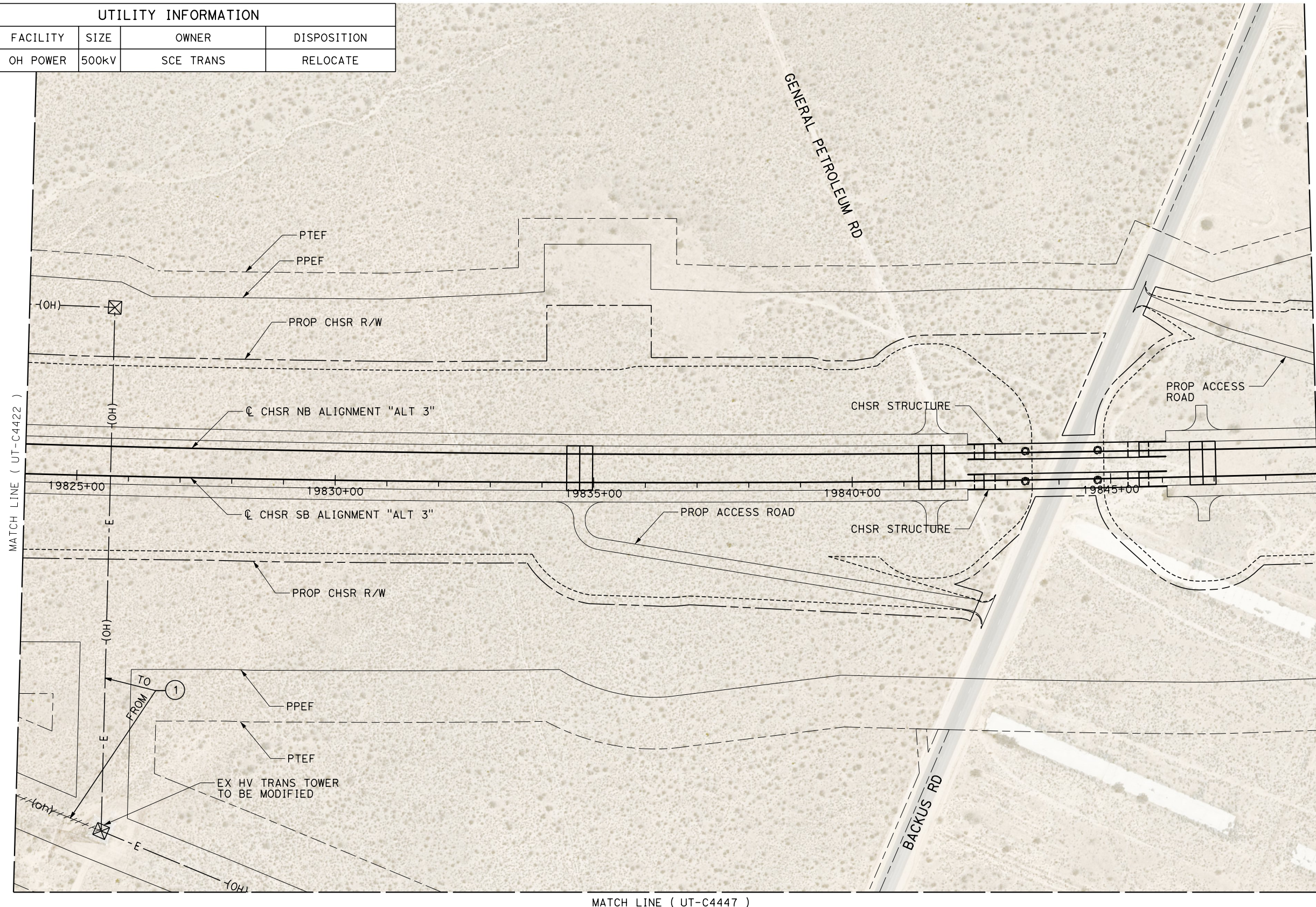
NOT FOR
CONSTRUCTION



CALIFORNIA HIGH-SPEED RAIL PROJECT
BAKERSFIELD TO PALMDALE
 COMPOSITE UTILITY PLANS
 ALTERNATIVE 3
 STA 19799+00 TO 19824+00

CONTRACT NO.
HSR13-44
 DRAWING NO.
UT-C4422
 SCALE
AS SHOWN
 SHEET NO.
297

UTILITY INFORMATION				
#	FACILITY	SIZE	OWNER	DISPOSITION
1	OH POWER	500KV	SCE TRANS	RELOCATE



1/20/2021 4:43:20 AM Projects\701206.00_CHSRBP\00_CADD\Sheet Files\UT\Alt3 (Tenachapi 2)\BP-UT-C4423

REV	DATE	BY	CHK	APP	DESCRIPTION

DESIGNED BY
D. HOLMAN
DRAWN BY
J. LOPEZ
CHECKED BY
G. CAMPBELL
IN CHARGE
G. CAMPBELL
DATE
01/29/2021

RECORD SET
PEPD
SUBMITTAL

NOT FOR
CONSTRUCTION



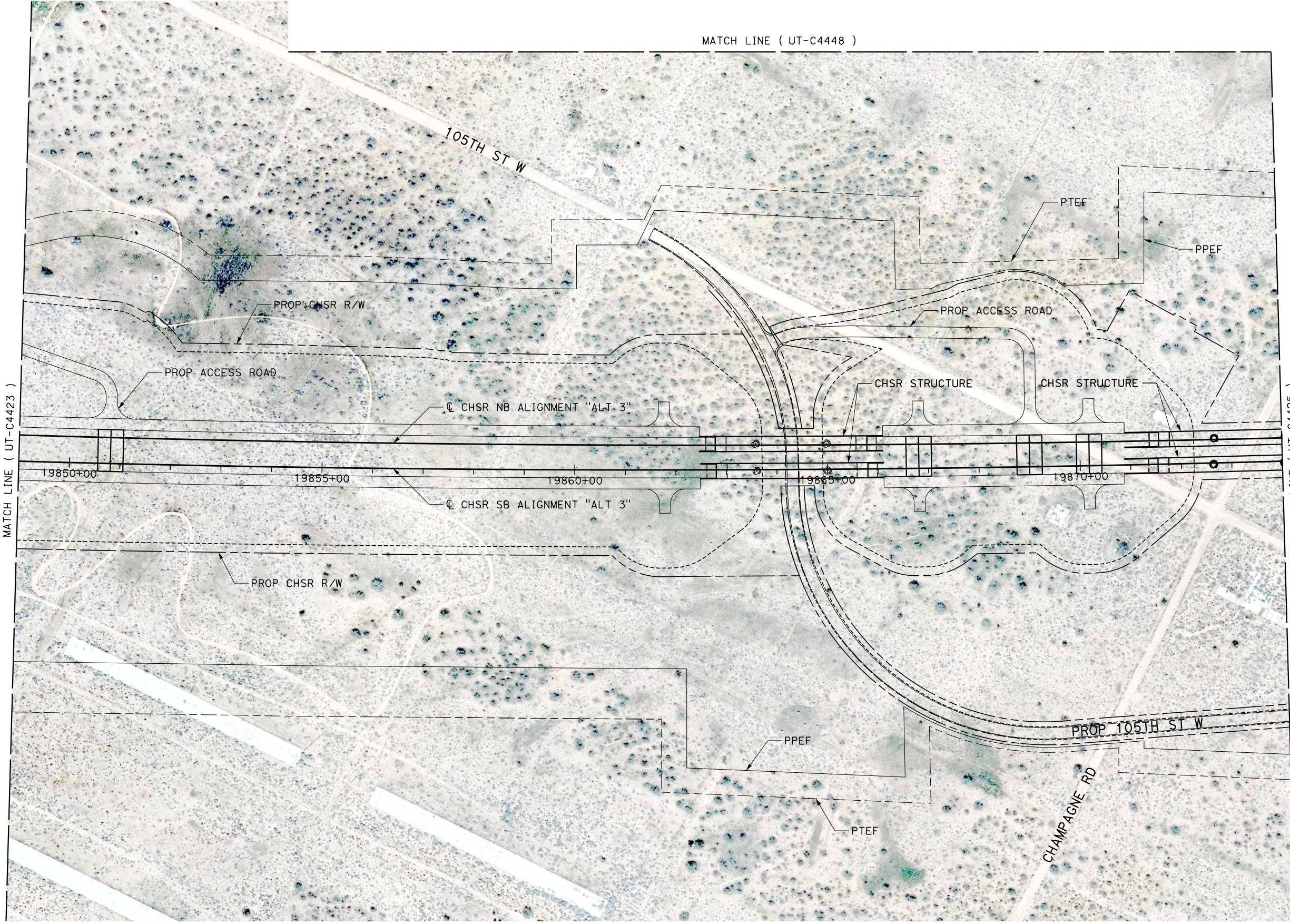
CALIFORNIA HIGH-SPEED RAIL PROJECT
BAKERSFIELD TO PALMDALE
COMPOSITE UTILITY PLANS
ALTERNATIVE 3
STA 19824+00 TO 19849+00

CONTRACT NO.
HSR13-44
DRAWING NO.
UT-C4423
SCALE
AS SHOWN
SHEET NO.
298

Projects\701206.00_CHSRBP\00_CADD\Sheet Files\UT\Alt3 (Tenochapi 2)\BP-UT-C4424

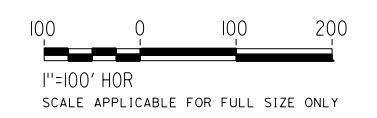
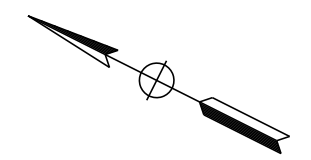
1/20/2021 4:58:05 AM

ics_user_17609



MATCH LINE (UT-C4423)

MATCH LINE (UT-C4425)



REV	DATE	BY	CHK	APP	DESCRIPTION

DESIGNED BY
D. HOLMAN
DRAWN BY
J. LOPEZ
CHECKED BY
G. CAMPBELL
IN CHARGE
G. CAMPBELL
DATE
01/29/2021

RECORD SET
PEPD
SUBMITTAL

NOT FOR
CONSTRUCTION



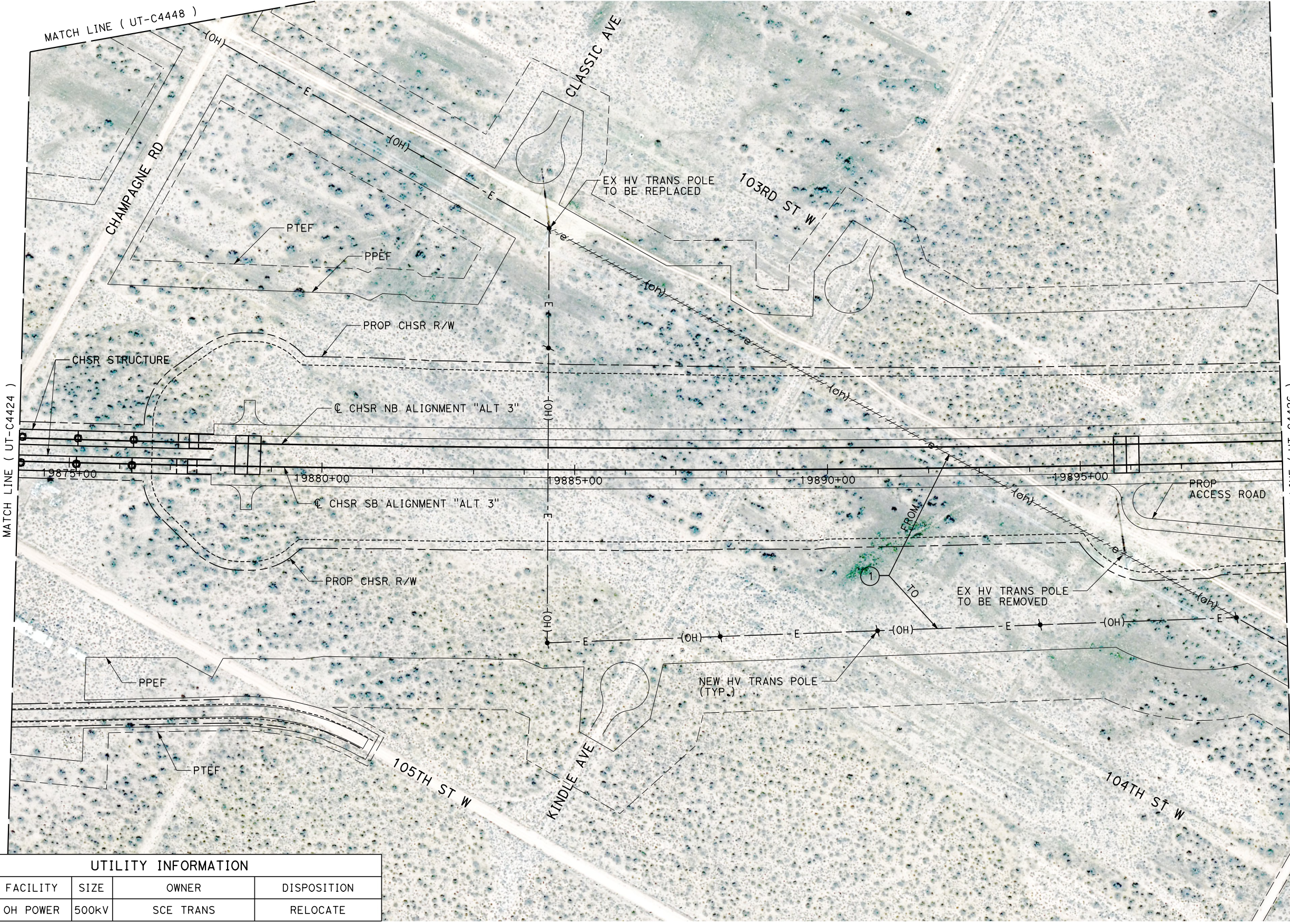
CALIFORNIA HIGH-SPEED RAIL PROJECT
BAKERSFIELD TO PALMDALE
COMPOSITE UTILITY PLANS
ALTERNATIVE 3
STA 19849+00 TO 19874+00

CONTRACT NO.
HSR13-44
DRAWING NO.
UT-C4424
SCALE
AS SHOWN
SHEET NO.
299

Projects\T01206.00_CHSRBP\00_CADD\Sheet Files\UT\Alt3 (Tenachopi 2)\BP-UT-C4425

1/20/2021 4:50:09 AM

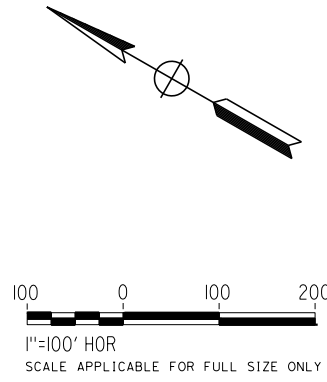
jcs_user_17609



MATCH LINE (UT-C4424)

MATCH LINE (UT-C4426)

UTILITY INFORMATION				
#	FACILITY	SIZE	OWNER	DISPOSITION
1	OH POWER	500kV	SCE TRANS	RELOCATE



REV	DATE	BY	CHK	APP	DESCRIPTION

DESIGNED BY
D. HOLMAN
DRAWN BY
J. LOPEZ
CHECKED BY
G. CAMPBELL
IN CHARGE
G. CAMPBELL
DATE
01/29/2021

**RECORD SET
PEPD
SUBMITTAL**

**NOT FOR
CONSTRUCTION**

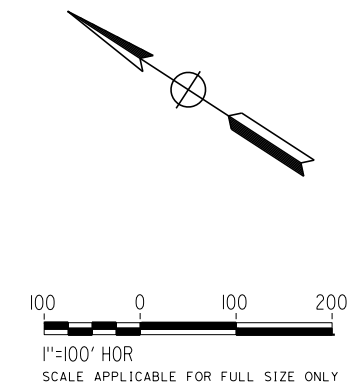
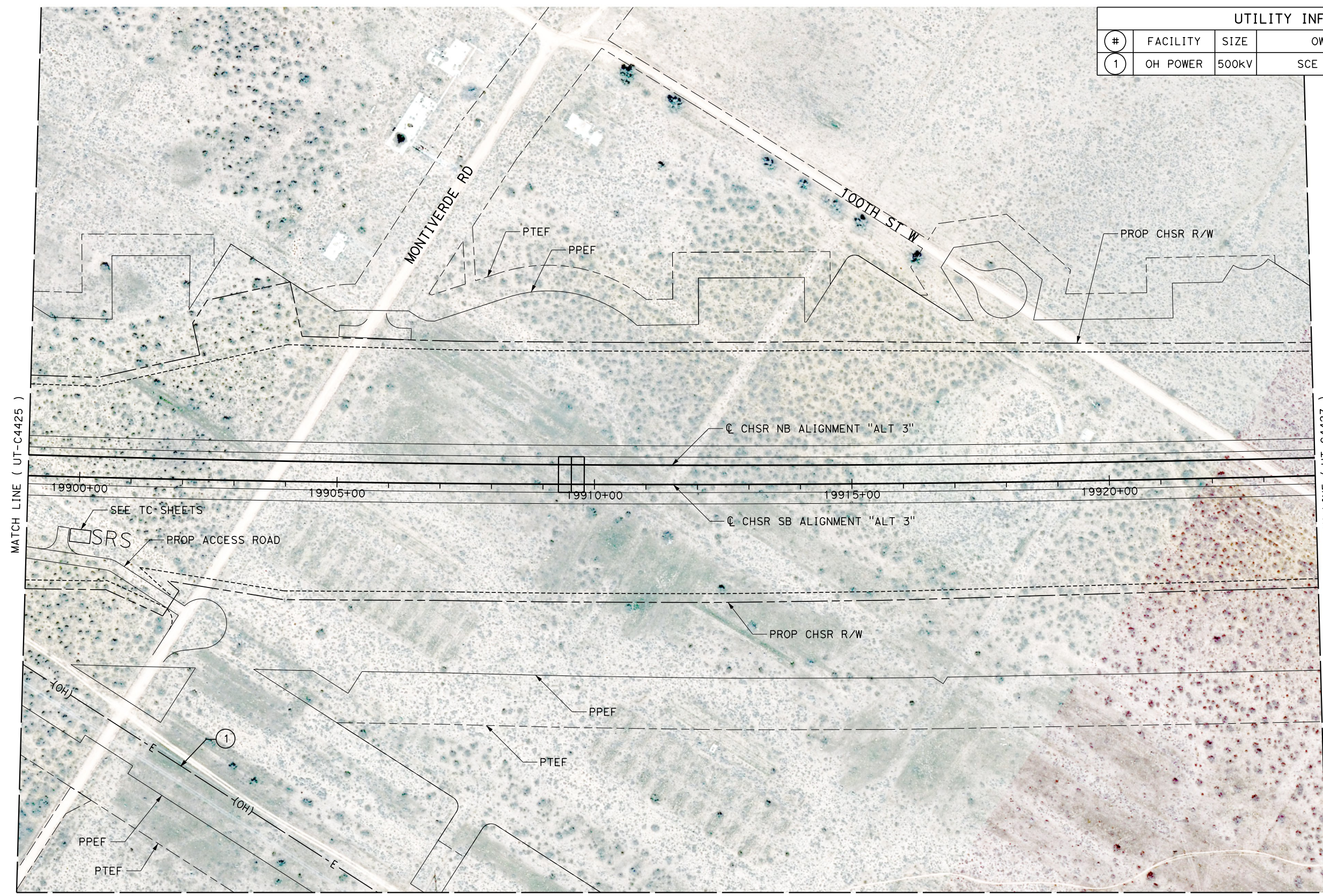


**CALIFORNIA HIGH-SPEED RAIL PROJECT
BAKERSFIELD TO PALMDALE**
COMPOSITE UTILITY PLANS
ALTERNATIVE 3
STA 19874+00 TO 19899+00

CONTRACT NO.
HSR13-44
DRAWING NO.
UT-C4425
SCALE
AS SHOWN
SHEET NO.
300

1/20/2021 4:48:41 AM
 Projects\701206.00_CHSRBP\00_CADD\Sheet Files\UT\Alt3 (Tenachapi 2)\BP-UT-C4426

UTILITY INFORMATION				
#	FACILITY	SIZE	OWNER	DISPOSITION
1	OH POWER	500KV	SCE TRANS	RELOCATE



REV	DATE	BY	CHK	APP	DESCRIPTION

DESIGNED BY
D. HOLMAN
 DRAWN BY
J. LOPEZ
 CHECKED BY
G. CAMPBELL
 IN CHARGE
G. CAMPBELL
 DATE
01/29/2021

**RECORD SET
 PEPD
 SUBMITTAL**

**NOT FOR
 CONSTRUCTION**



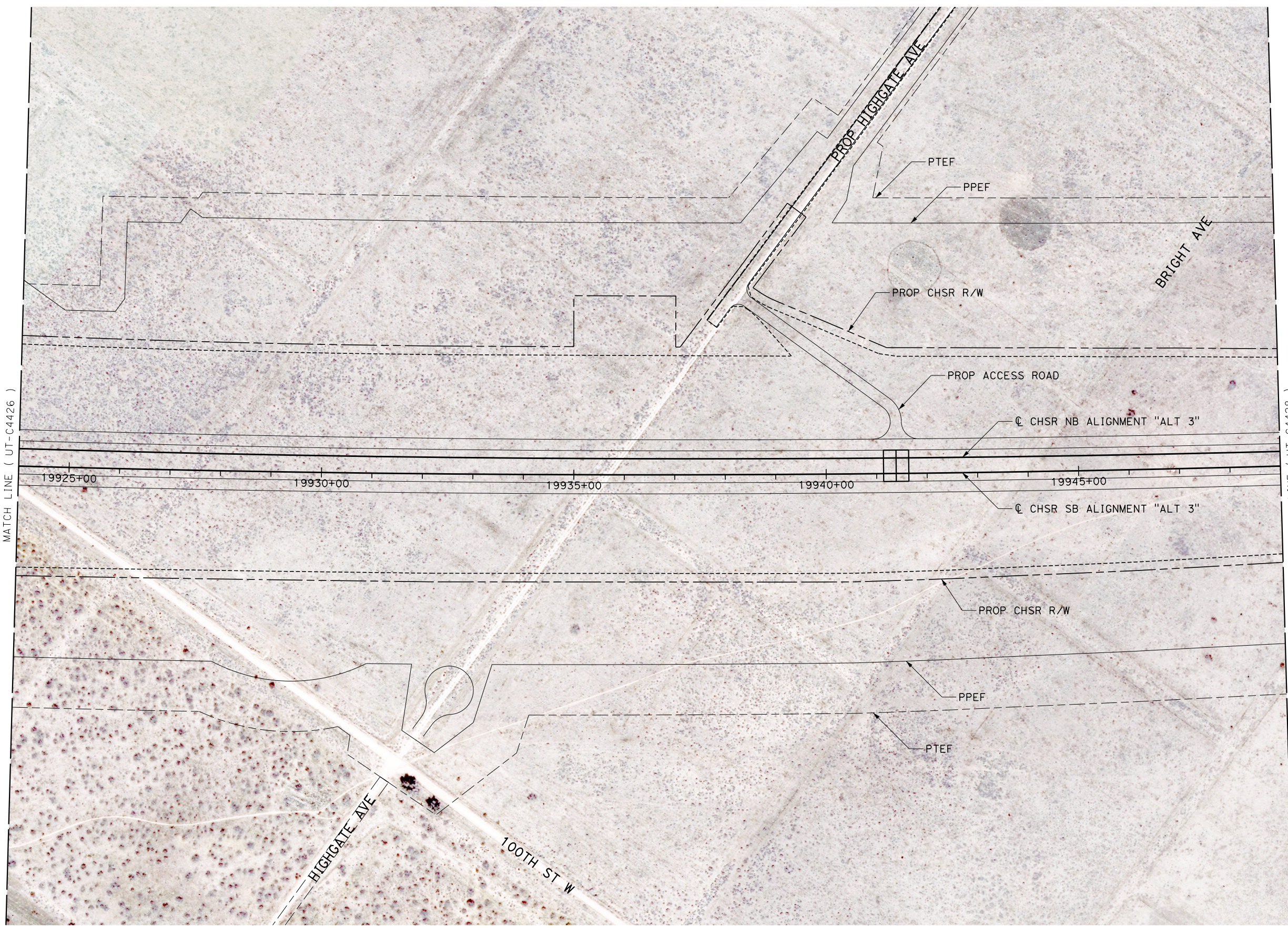
**CALIFORNIA HIGH-SPEED RAIL PROJECT
 BAKERSFIELD TO PALMDALE**
 COMPOSITE UTILITY PLANS
 ALTERNATIVE 3
 STA 19899+00 TO 19924+00

CONTRACT NO.
HSR13-44
 DRAWING NO.
UT-C4426
 SCALE
AS SHOWN
 SHEET NO.
301

Projects\701206.00_CHSRBP\00_CADD\Sheet Files\UT\Alt3 (Tenachopi 2)\BP-UT-C4427

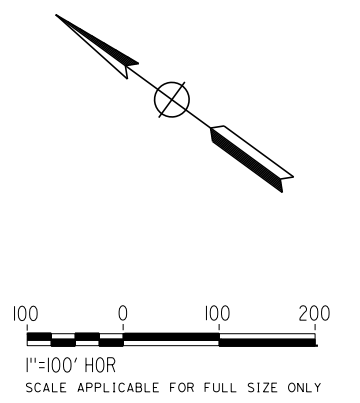
1/20/2021 4:54:18 AM

jcs_user_17609



MATCH LINE (UT-C4426)

MATCH LINE (UT-C4428)



REV	DATE	BY	CHK	APP	DESCRIPTION

DESIGNED BY
D. HOLMAN
DRAWN BY
J. LOPEZ
CHECKED BY
G. CAMPBELL
IN CHARGE
G. CAMPBELL
DATE
01/29/2021

**RECORD SET
PEPD
SUBMITTAL**

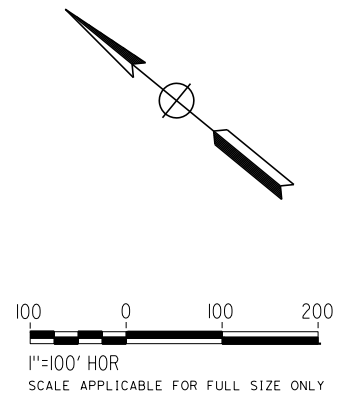
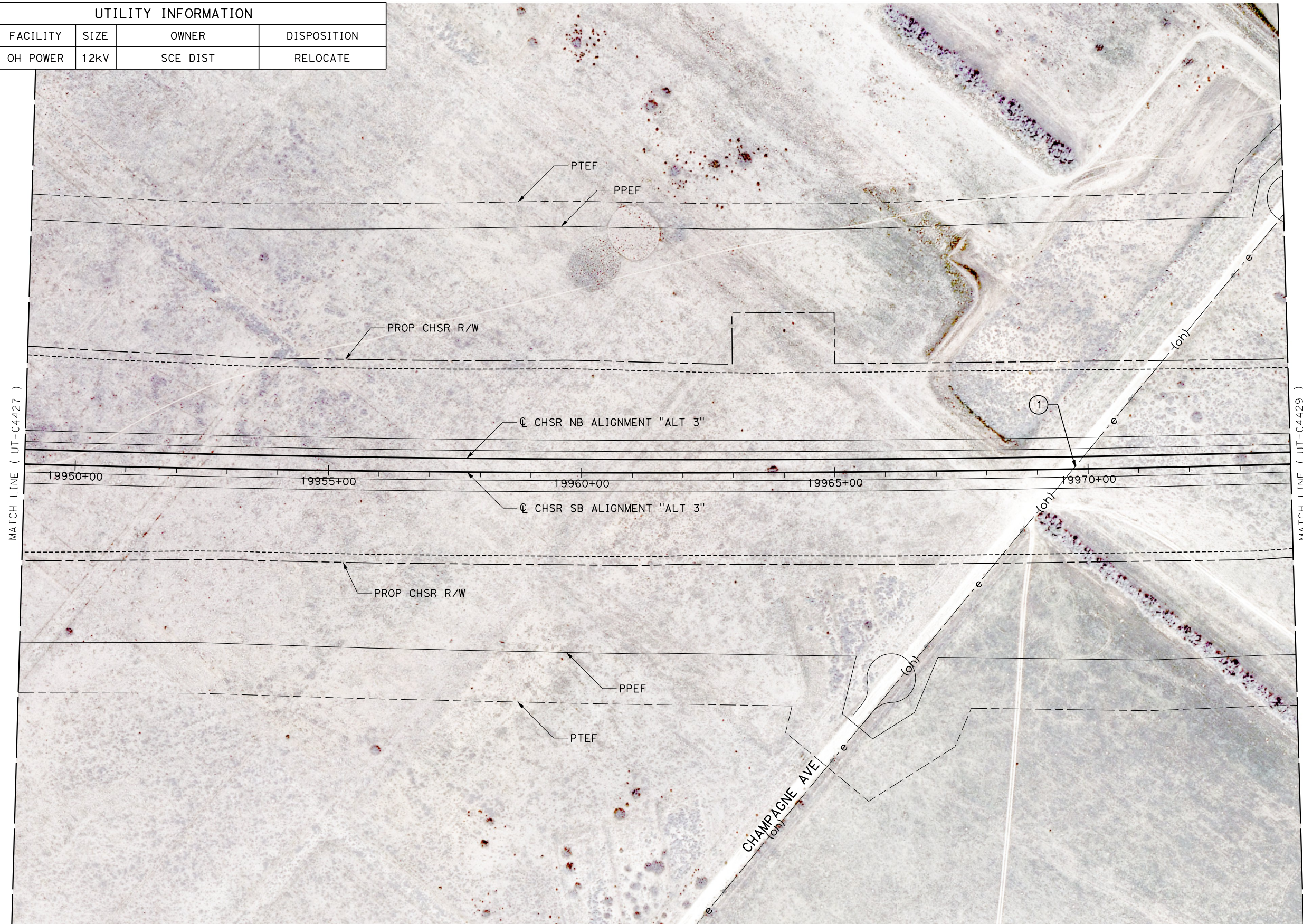
**NOT FOR
CONSTRUCTION**



**CALIFORNIA HIGH-SPEED RAIL PROJECT
BAKERSFIELD TO PALMDALE**
COMPOSITE UTILITY PLANS
ALTERNATIVE 3
STA 19924+00 TO 19949+00

CONTRACT NO.
HSR13-44
DRAWING NO.
UT-C4427
SCALE
AS SHOWN
SHEET NO.
302

UTILITY INFORMATION				
#	FACILITY	SIZE	OWNER	DISPOSITION
1	OH POWER	12kV	SCE DIST	RELOCATE



1/20/2021 4:49:03 AM
 Projects\T01206.00_CHSRBP\00_CADD\Sheet Files\UT\Alt3 (Tenachopi 2)\BP-UT-C4428
 jcs_user_17609

REV	DATE	BY	CHK	APP	DESCRIPTION

DESIGNED BY
D. HOLMAN
 DRAWN BY
J. LOPEZ
 CHECKED BY
G. CAMPBELL
 IN CHARGE
G. CAMPBELL
 DATE
01/29/2021

RECORD SET
PEPD
SUBMITTAL

NOT FOR
CONSTRUCTION



CALIFORNIA HIGH-SPEED RAIL PROJECT
BAKERSFIELD TO PALMDALE
 COMPOSITE UTILITY PLANS
 ALTERNATIVE 3
 STA 19949+00 TO 19974+00

CONTRACT NO.
HSR13-44
 DRAWING NO.
UT-C4428
 SCALE
AS SHOWN
 SHEET NO.
303

Projects\701206.00_CHSRBP\00_CADD\Sheet Files\UT\Alt3 (Tenachopi 2)\BP-UT-C4429

1/20/2021 4:48:46 AM

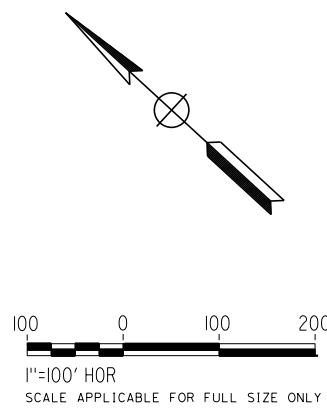
ics_user_17609



MATCH LINE (UT-C4450)

MATCH LINE (UT-C4428)

MATCH LINE (UT-C4430)



REV	DATE	BY	CHK	APP	DESCRIPTION

DESIGNED BY
D. HOLMAN
DRAWN BY
J. LOPEZ
CHECKED BY
G. CAMPBELL
IN CHARGE
G. CAMPBELL
DATE
01/29/2021

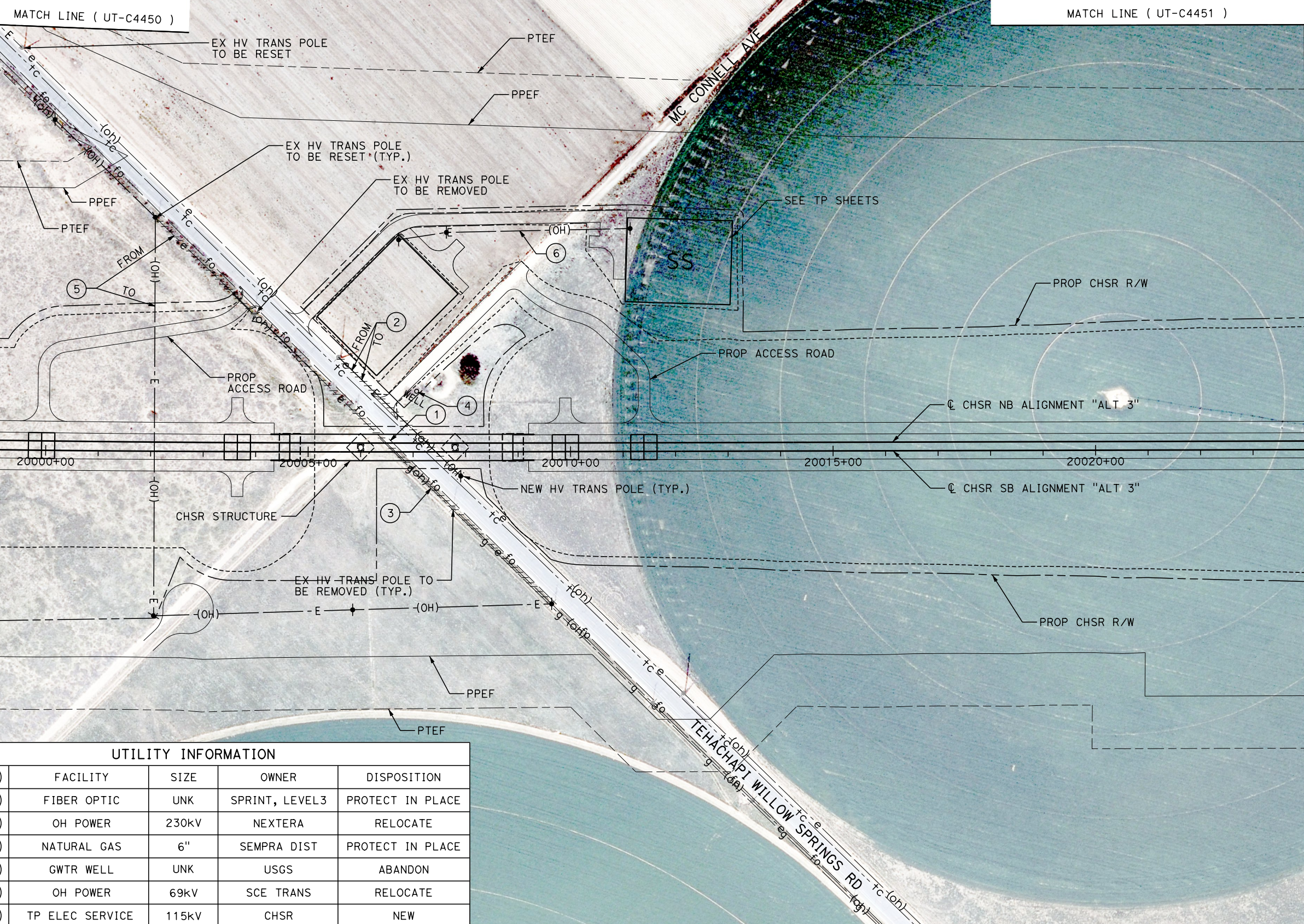
**RECORD SET
PEPD
SUBMITTAL**

**NOT FOR
CONSTRUCTION**

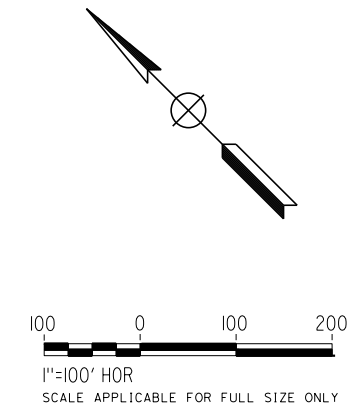


**CALIFORNIA HIGH-SPEED RAIL PROJECT
BAKERSFIELD TO PALMDALE**
COMPOSITE UTILITY PLANS
ALTERNATIVE 3
STA 19974+00 TO 19999+00

CONTRACT NO.
HSR13-44
DRAWING NO.
UT-C4429
SCALE
AS SHOWN
SHEET NO.
304



UTILITY INFORMATION				
#	FACILITY	SIZE	OWNER	DISPOSITION
1	FIBER OPTIC	UNK	SPRINT, LEVEL3	PROTECT IN PLACE
2	OH POWER	230kV	NEXTERA	RELOCATE
3	NATURAL GAS	6"	SEMPRA DIST	PROTECT IN PLACE
4	GWTR WELL	UNK	USGS	ABANDON
5	OH POWER	69kV	SCE TRANS	RELOCATE
6	TP ELEC SERVICE	115kV	CHSR	NEW



1/20/2021 4:40:27 AM
 Projects\701206.00_CHSRBP\00_CADD\Sheet Files\UT\A1\13 (Tehachapi 2)\BP-UT-C4430
 jcs_user_17609

REV	DATE	BY	CHK	APP	DESCRIPTION

DESIGNED BY
D. HOLMAN
 DRAWN BY
J. LOPEZ
 CHECKED BY
G. CAMPBELL
 IN CHARGE
G. CAMPBELL
 DATE
01/29/2021

RECORD SET
PEPD
SUBMITTAL

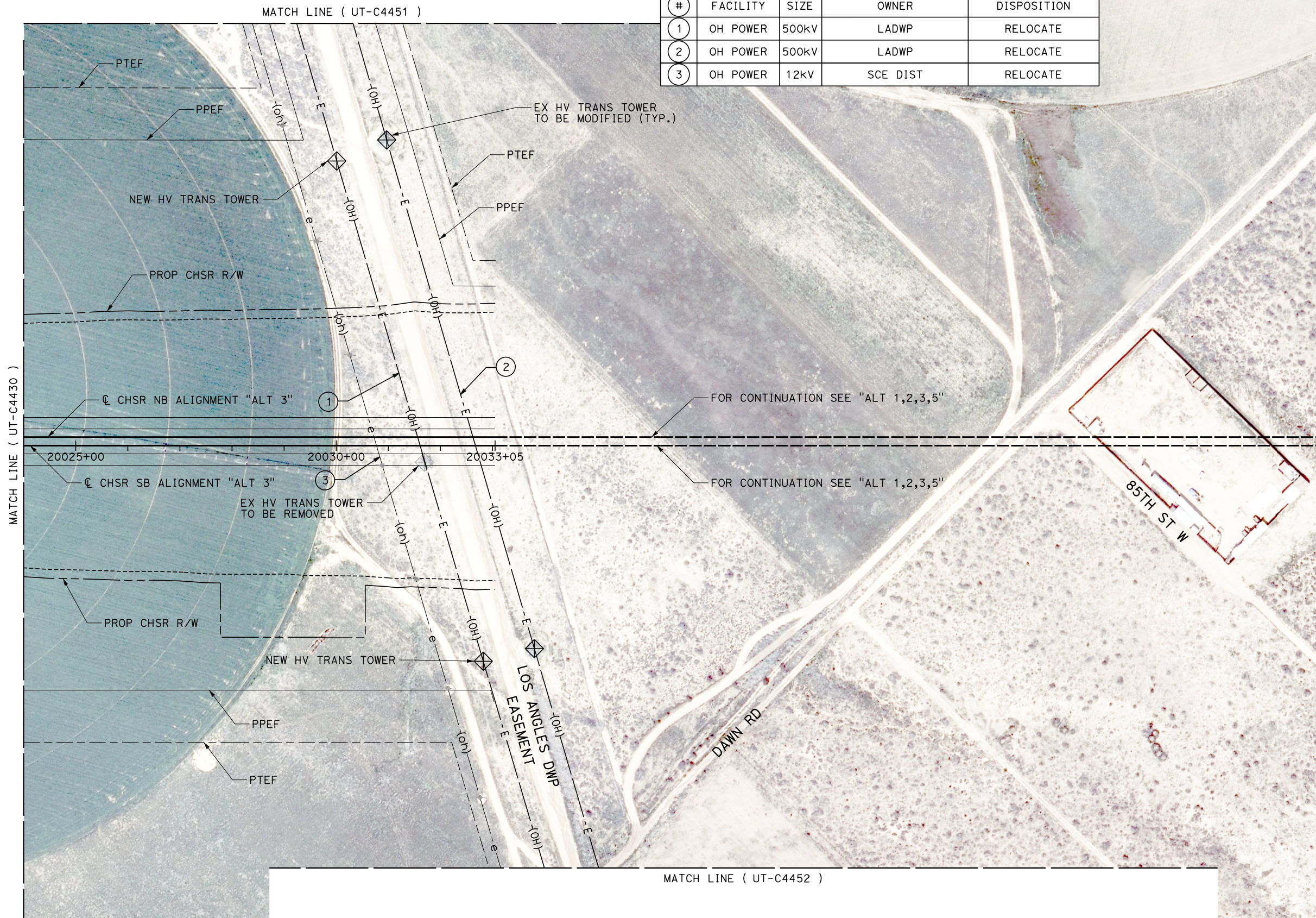
NOT FOR
CONSTRUCTION



CALIFORNIA HIGH-SPEED RAIL PROJECT
BAKERSFIELD TO PALMDALE
 COMPOSITE UTILITY PLANS
 ALTERNATIVE 3
 STA 19999+00 TO 20024+00

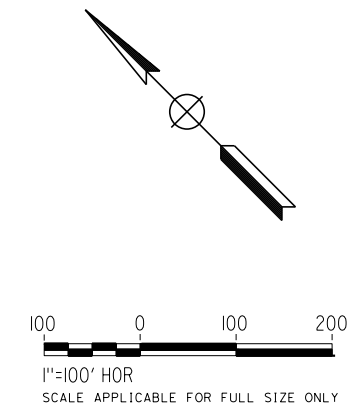
CONTRACT NO.
HSR13-44
 DRAWING NO.
UT-C4430
 SCALE
AS SHOWN
 SHEET NO.
305

UTILITY INFORMATION				
#	FACILITY	SIZE	OWNER	DISPOSITION
1	OH POWER	500kV	LADWP	RELOCATE
2	OH POWER	500kV	LADWP	RELOCATE
3	OH POWER	12kV	SCE DIST	RELOCATE



FOR CONTINUATION SEE "ALT 1,2,3,5"

FOR CONTINUATION SEE "ALT 1,2,3,5"



1/20/2021 4:50:31 AM
 Projects\701206.00_CHSRBP\00_CADD\Sheet Files\UT\Alt3 (Tenachopi 2)\BP-UT-C4431
 jcs_user_17609

REV	DATE	BY	CHK	APP	DESCRIPTION

DESIGNED BY
D. HOLMAN
 DRAWN BY
J. LOPEZ
 CHECKED BY
G. CAMPBELL
 IN CHARGE
G. CAMPBELL
 DATE
01/29/2021

RECORD SET
PEPD
SUBMITTAL

NOT FOR
CONSTRUCTION

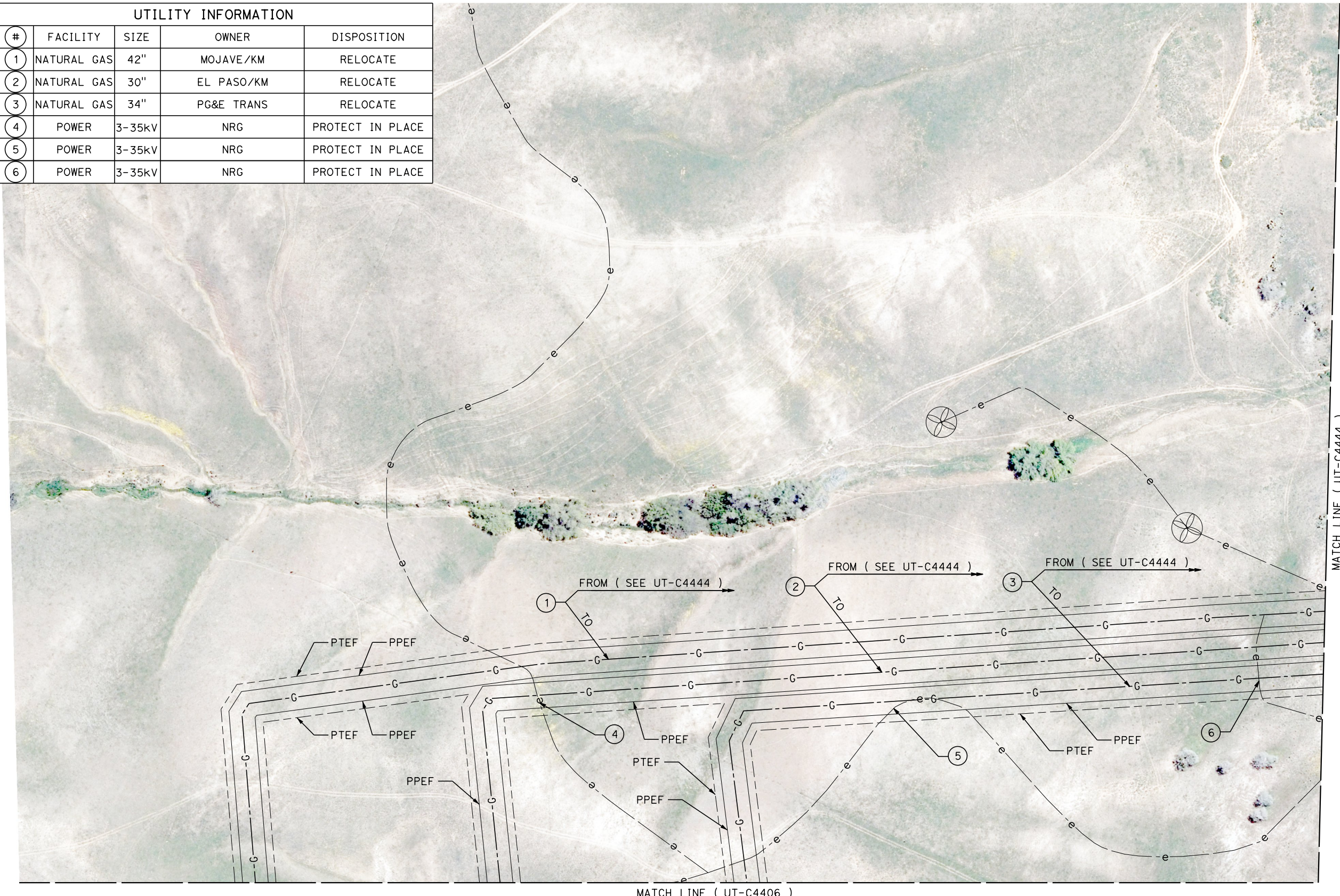


CALIFORNIA HIGH-SPEED RAIL PROJECT
BAKERSFIELD TO PALMDALE
 COMPOSITE UTILITY PLANS
 ALTERNATIVE 3
 STA 20024+00 TO 20049+00

CONTRACT NO.
HSR13-44
 DRAWING NO.
UT-C4431
 SCALE
AS SHOWN
 SHEET NO.
306

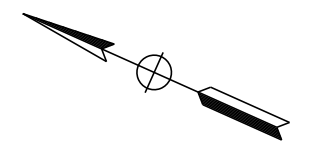
1/20/2021 4:42:52 AM
 Projects\701206.00_CHSRBP\00_CADD\Sheet Files\UT\AI\13 (Tehachapi 2)\BP-UT-C4441
 .ics_user_17609

UTILITY INFORMATION				
#	FACILITY	SIZE	OWNER	DISPOSITION
1	NATURAL GAS	42"	MOJAVE/KM	RELOCATE
2	NATURAL GAS	30"	EL PASO/KM	RELOCATE
3	NATURAL GAS	34"	PG&E TRANS	RELOCATE
4	POWER	3-35kV	NRG	PROTECT IN PLACE
5	POWER	3-35kV	NRG	PROTECT IN PLACE
6	POWER	3-35kV	NRG	PROTECT IN PLACE



MATCH LINE (UT-C4444)

MATCH LINE (UT-C4406)



100 0 100 200
 1"=100' HOR
 SCALE APPLICABLE FOR FULL SIZE ONLY

REV	DATE	BY	CHK	APP	DESCRIPTION

DESIGNED BY
D. HOLMAN
 DRAWN BY
J. LOPEZ
 CHECKED BY
G. CAMPBELL
 IN CHARGE
G. CAMPBELL
 DATE
01/29/2021

**RECORD SET
 PEPD
 SUBMITTAL**

**NOT FOR
 CONSTRUCTION**



**CALIFORNIA HIGH-SPEED RAIL PROJECT
 BAKERSFIELD TO PALMDALE**
 COMPOSITE UTILITY PLANS
 ALTERNATIVE 3
 STA 19399+00 TO 19424+00

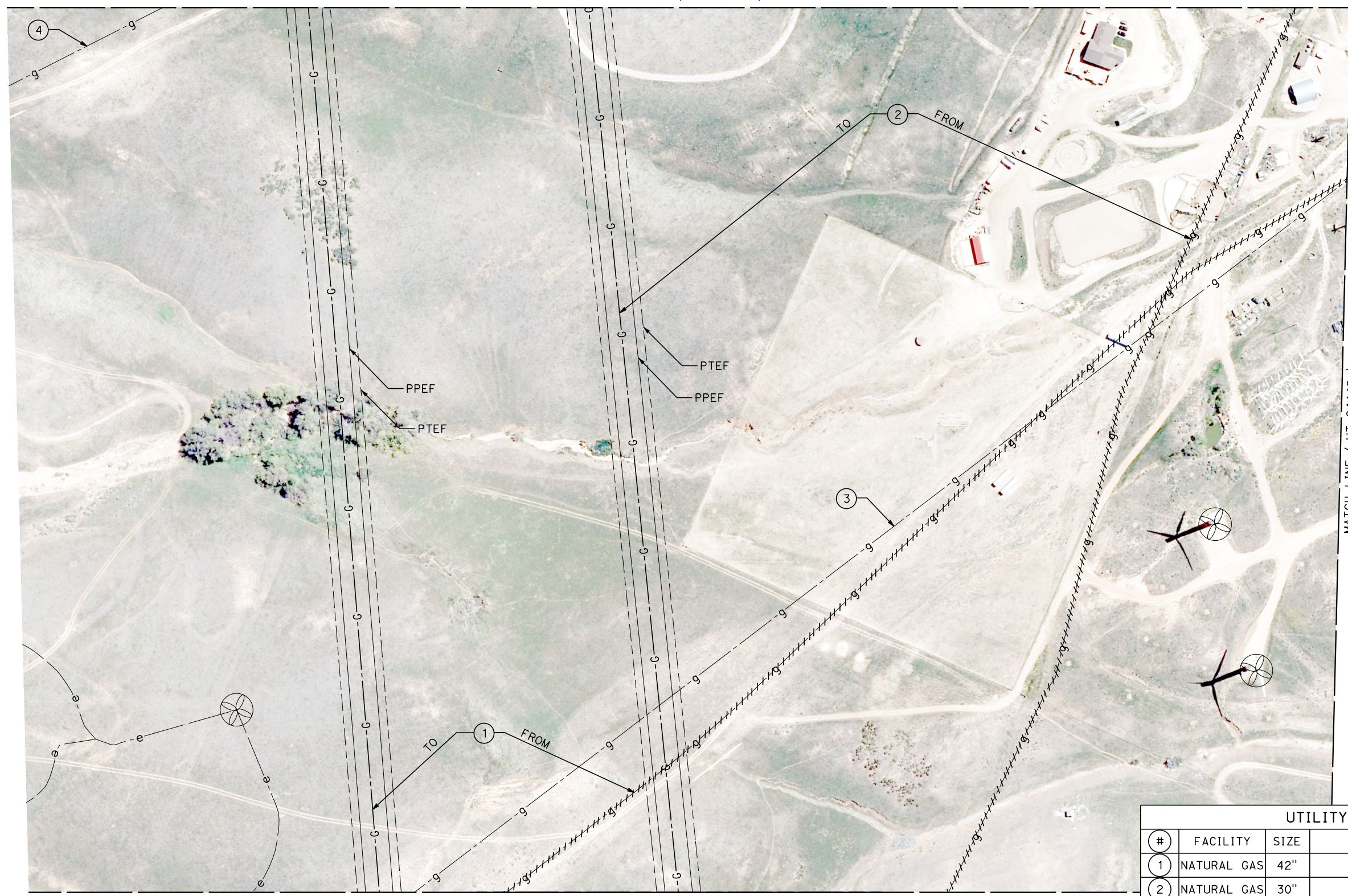
CONTRACT NO.
HSR13-44
 DRAWING NO.
UT-C4441
 SCALE
AS SHOWN
 SHEET NO.
307

Projects\701206.00_CHSRBP\00_CADD\Sheet_Files\UT\1\13 (Tenachapi 2)\BP-UT-C4442

1/20/2021 4:49:36 AM

ics_user_17609

MATCH LINE (UT-C4406)



MATCH LINE (UT-C4443)

MATCH LINE (UT-C4445)

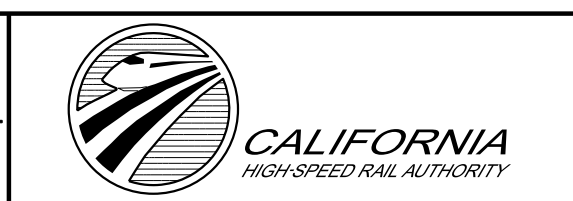
UTILITY INFORMATION				
#	FACILITY	SIZE	OWNER	DISPOSITION
1	NATURAL GAS	42"	MOJAVE/KM	RELOCATE
2	NATURAL GAS	30"	EL PASO/KM	RELOCATE
3	NATURAL GAS	34"	PG&E TRANS	PROTECT IN PLACE
4	NATURAL GAS	34"	PG&E TRANS	PROTECT IN PLACE

REV	DATE	BY	CHK	APP	DESCRIPTION

DESIGNED BY
D. HOLMAN
DRAWN BY
J. LOPEZ
CHECKED BY
G. CAMPBELL
IN CHARGE
G. CAMPBELL
DATE
01/29/2021

**RECORD SET
PEPD
SUBMITTAL**

**NOT FOR
CONSTRUCTION**



**CALIFORNIA HIGH-SPEED RAIL PROJECT
BAKERSFIELD TO PALMDALE**
COMPOSITE UTILITY PLANS
ALTERNATIVE 3
STA 19399+00 TO 19424+00

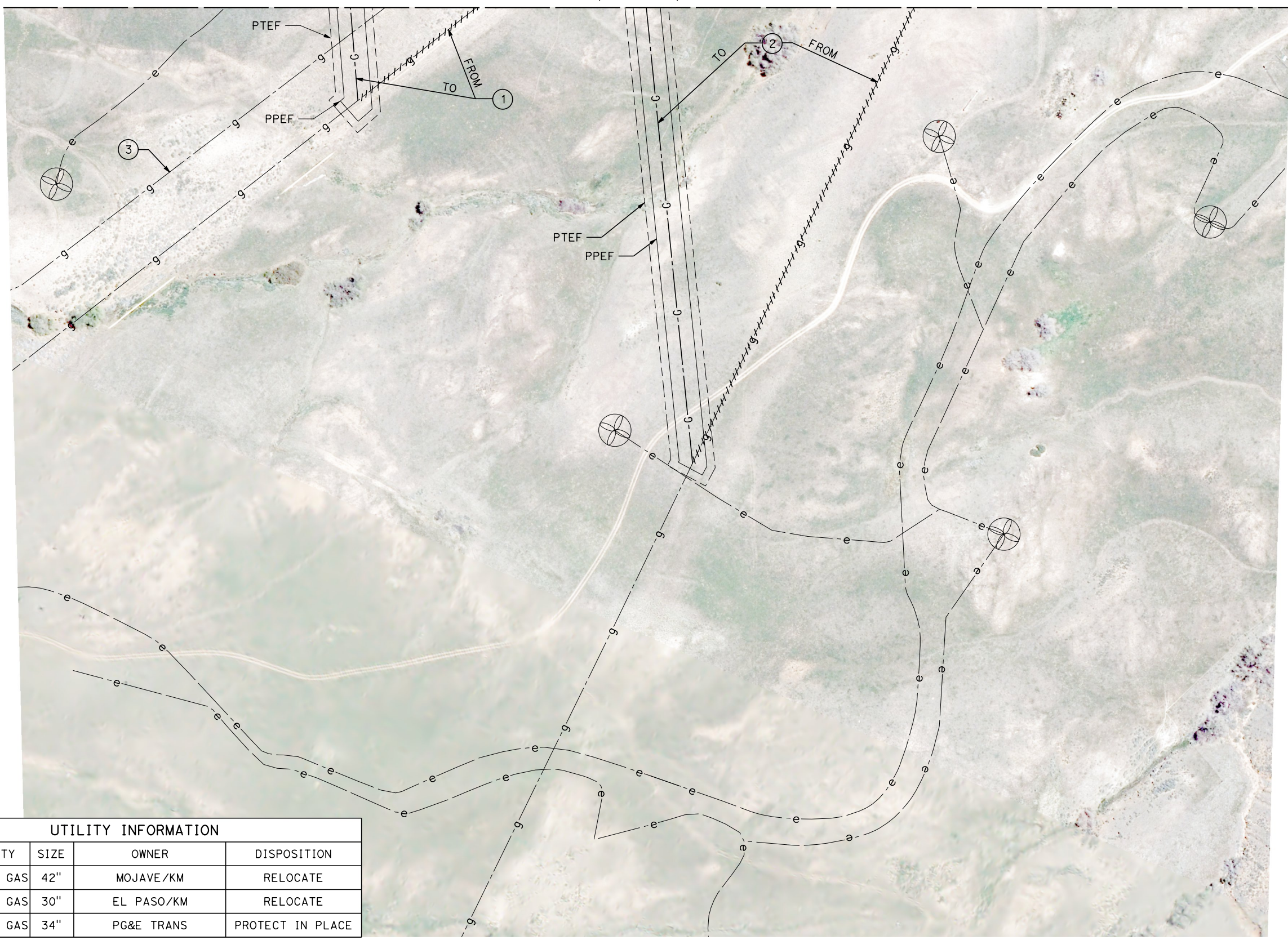
CONTRACT NO.
HSR13-44
DRAWING NO.
UT-C4442
SCALE
AS SHOWN
SHEET NO.
308

Projects\701206.00_CHSRBP\00_CADD\Sheet Files\UT\AI\13 (Tenachapi 2)\BP-UT-C4443

1/20/2021 4:49:26 AM

_ics_user_17609

MATCH LINE (UT-C4442)



UTILITY INFORMATION				
#	FACILITY	SIZE	OWNER	DISPOSITION
1	NATURAL GAS	42"	MOJAVE/KM	RELOCATE
2	NATURAL GAS	30"	EL PASO/KM	RELOCATE
3	NATURAL GAS	34"	PG&E TRANS	PROTECT IN PLACE

REV	DATE	BY	CHK	APP	DESCRIPTION

DESIGNED BY
D. HOLMAN
DRAWN BY
J. LOPEZ
CHECKED BY
G. CAMPBELL
IN CHARGE
G. CAMPBELL
DATE
01/29/2021

**RECORD SET
PEPD
SUBMITTAL**

**NOT FOR
CONSTRUCTION**



**CALIFORNIA HIGH-SPEED RAIL PROJECT
BAKERSFIELD TO PALMDALE**
COMPOSITE UTILITY PLANS
ALTERNATIVE 3
STA 19399+00 TO 19424+00

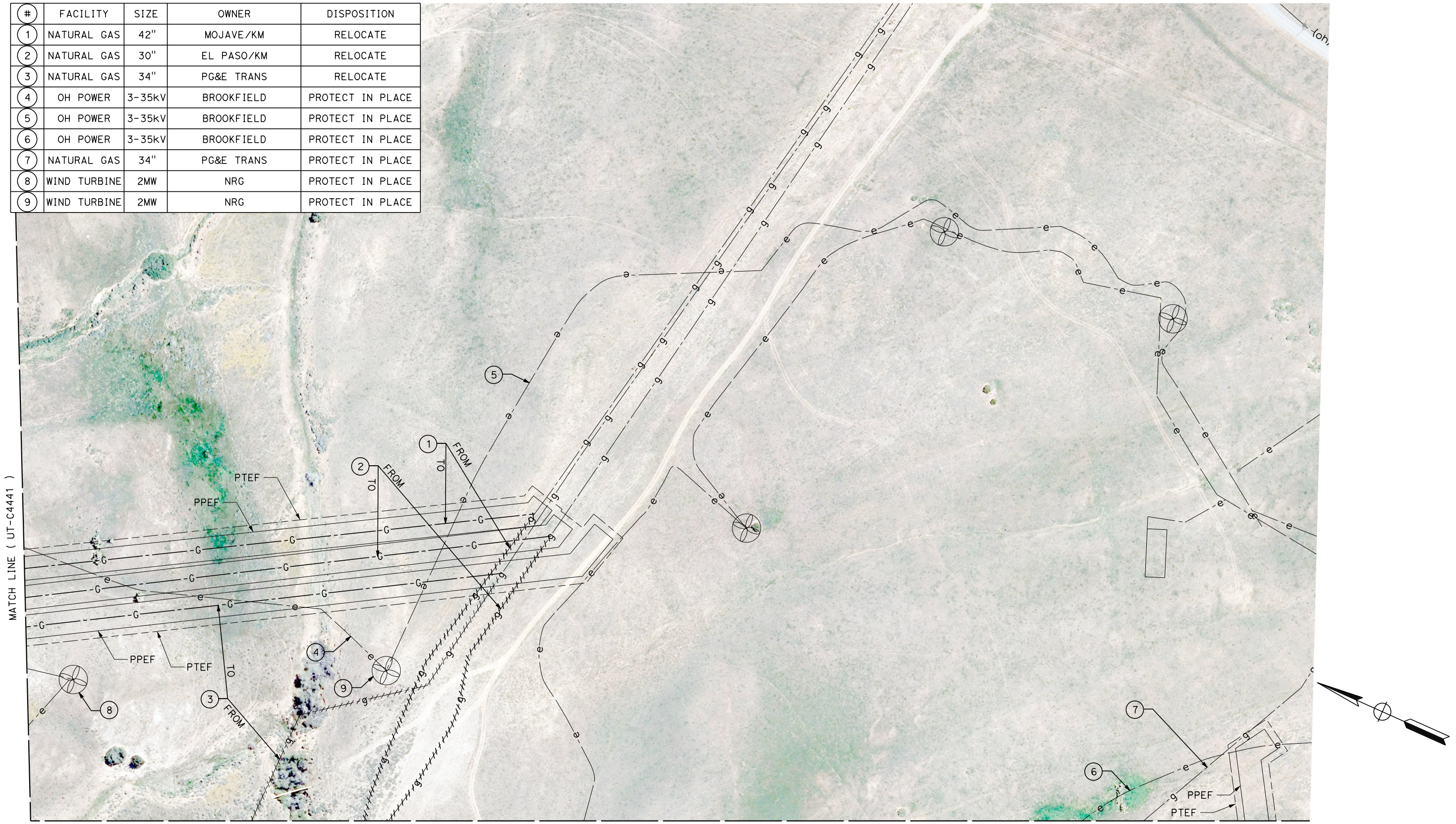
CONTRACT NO.
HSR13-44
DRAWING NO.
UT-C4443
SCALE
AS SHOWN
SHEET NO.
309

Projects\701206.00_CHSRBP\00_CADD\Sheet Files\UT\AI\3 (Tehachapi 2)\BP-UT-C4444

1/20/2021 4:43:39 AM

jcs_user_17609

#	FACILITY	SIZE	OWNER	DISPOSITION
1	NATURAL GAS	42"	MOJAVE/KM	RELOCATE
2	NATURAL GAS	30"	EL PASO/KM	RELOCATE
3	NATURAL GAS	34"	PG&E TRANS	RELOCATE
4	OH POWER	3-35kV	BROOKFIELD	PROTECT IN PLACE
5	OH POWER	3-35kV	BROOKFIELD	PROTECT IN PLACE
6	OH POWER	3-35kV	BROOKFIELD	PROTECT IN PLACE
7	NATURAL GAS	34"	PG&E TRANS	PROTECT IN PLACE
8	WIND TURBINE	2MW	NRG	PROTECT IN PLACE
9	WIND TURBINE	2MW	NRG	PROTECT IN PLACE



100 0 100 200
 1"=100' HOR
 SCALE APPLICABLE FOR FULL SIZE ONLY

REV	DATE	BY	CHK	APP	DESCRIPTION

DESIGNED BY
D. HOLMAN
 DRAWN BY
J. LOPEZ
 CHECKED BY
G. CAMPBELL
 IN CHARGE
G. CAMPBELL
 DATE
01/29/2021

RECORD SET
PEPD
SUBMITTAL

NOT FOR
CONSTRUCTION



CALIFORNIA HIGH-SPEED RAIL PROJECT
BAKERSFIELD TO PALMDALE
 COMPOSITE UTILITY PLANS
 ALTERNATIVE 3
 STA 19424+00 TO 19449+00

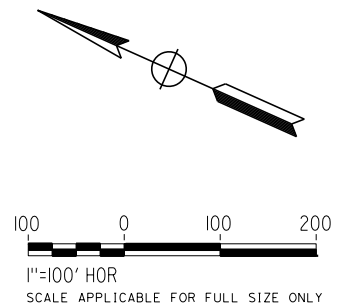
CONTRACT NO.
HSR13-44
 DRAWING NO.
UT-C4444
 SCALE
AS SHOWN
 SHEET NO.
310

Projects\701206.00_CHSRBP\00_CADD\Sheet Files\UT\AI\13 (Tehachapi 2)\BP-UT-C4445

1/20/2021 4:53:54 AM

_ics_user_17609

MATCH LINE (UT-C4407)



UTILITY INFORMATION				
#	FACILITY	SIZE	OWNER	DISPOSITION
1	NATURAL GAS	42"	MOJAVE/KM	RELOCATE
2	NATURAL GAS	34"	PG&E TRANS	PROTECT IN PLACE
3	POWER	3-35kV	NRG	PROTECT IN PLACE

REV	DATE	BY	CHK	APP	DESCRIPTION

DESIGNED BY
D. HOLMAN
DRAWN BY
J. LOPEZ
CHECKED BY
G. CAMPBELL
IN CHARGE
G. CAMPBELL
DATE
01/29/2021

**RECORD SET
PEPD
SUBMITTAL**

**NOT FOR
CONSTRUCTION**



**CALIFORNIA HIGH-SPEED RAIL PROJECT
BAKERSFIELD TO PALMDALE**
COMPOSITE UTILITY PLANS
ALTERNATIVE 3
STA 19424+00 TO 19449+00

CONTRACT NO.
HSR13-44
DRAWING NO.
UT-C4445
SCALE
AS SHOWN
SHEET NO.
311

Projects\701206.00_CHSRBP\00_CADD\Sheet Files\UT\1\13 (Tenochapi 2)\BP-UT-C4446

1/20/2021 4:54:49 AM

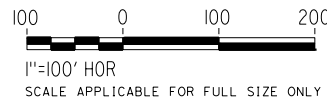
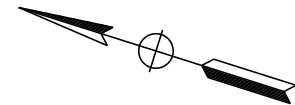
ics_user_17609

UTILITY INFORMATION				
#	FACILITY	SIZE	OWNER	DISPOSITION
1	OH POWER	500kV	SCE TRANS	RELOCATE



MATCH LINE (UT-C4420)

MATCH LINE (UT-C4421)



REV	DATE	BY	CHK	APP	DESCRIPTION

DESIGNED BY
D. HOLMAN
DRAWN BY
J. LOPEZ
CHECKED BY
G. CAMPBELL
IN CHARGE
G. CAMPBELL
DATE
01/29/2021

RECORD SET
PEPD
SUBMITTAL

NOT FOR
CONSTRUCTION



CALIFORNIA HIGH-SPEED RAIL PROJECT
BAKERSFIELD TO PALMDALE
COMPOSITE UTILITY PLANS
ALTERNATIVE 3
STA 19774+00 TO 19799+00

CONTRACT NO.
HSR13-44
DRAWING NO.
UT-C4446
SCALE
AS SHOWN
SHEET NO.
312

Projects\701206.00_CHSRBP\00_CADD\Sheet Files\UT\1\13 (Tenachopi 2)\BP-UT-C4447

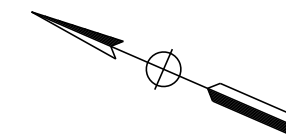
1/20/2021 4:48:23 AM

_ics_user_17609

MATCH LINE (UT-C4423)



UTILITY INFORMATION				
#	FACILITY	SIZE	OWNER	DISPOSITION
1	1ST LA AQUEDUCT	8'X10'	LADWP	PROTECT IN PLACE
2	2ND LA AQUEDUCT	10'X10'	LADWP	PROTECT IN PLACE
3	OH POWER	500KV	SCE TRANS	RELOCATE



100 0 100 200
1"=100' HOR
SCALE APPLICABLE FOR FULL SIZE ONLY

REV	DATE	BY	CHK	APP	DESCRIPTION

DESIGNED BY
D. HOLMAN
DRAWN BY
J. LOPEZ
CHECKED BY
G. CAMPBELL
IN CHARGE
G. CAMPBELL
DATE
01/29/2021

**RECORD SET
PEPD
SUBMITTAL**

**NOT FOR
CONSTRUCTION**

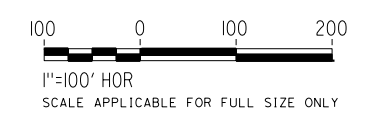
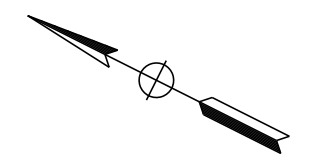
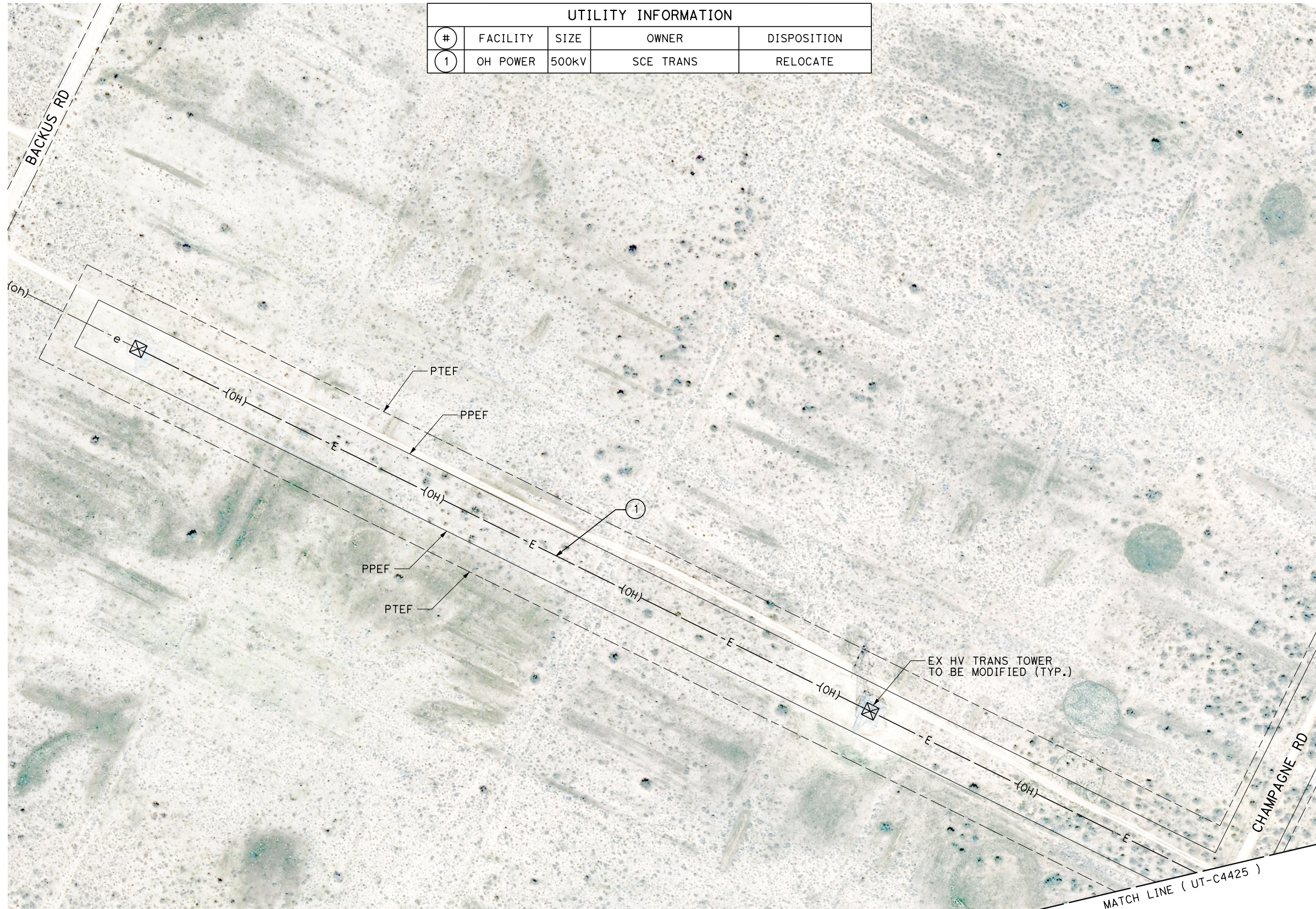


**CALIFORNIA HIGH-SPEED RAIL PROJECT
BAKERSFIELD TO PALMDALE**
COMPOSITE UTILITY PLANS
ALTERNATIVE 3
STA 19824+00 TO 19849+00

CONTRACT NO.
HSR13-44
DRAWING NO.
UT-C4447
SCALE
AS SHOWN
SHEET NO.
313

1/20/2021 4:59:01 AM Projects\701206.00_CHSRBP\00_CADD\Sheet Files\UT\A\1\3 (Tenachopi 2)\BP-UT-C4448

UTILITY INFORMATION				
#	FACILITY	SIZE	OWNER	DISPOSITION
1	OH POWER	500kV	SCE TRANS	RELOCATE

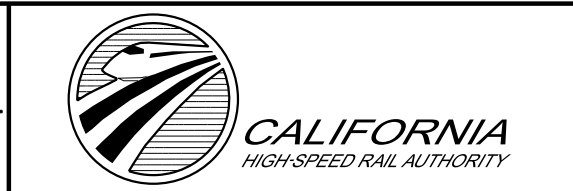


REV	DATE	BY	CHK	APP	DESCRIPTION

DESIGNED BY
D. HOLMAN
DRAWN BY
J. LOPEZ
CHECKED BY
G. CAMPBELL
IN CHARGE
G. CAMPBELL
DATE
01/29/2021

RECORD SET
PEPD
SUBMITTAL

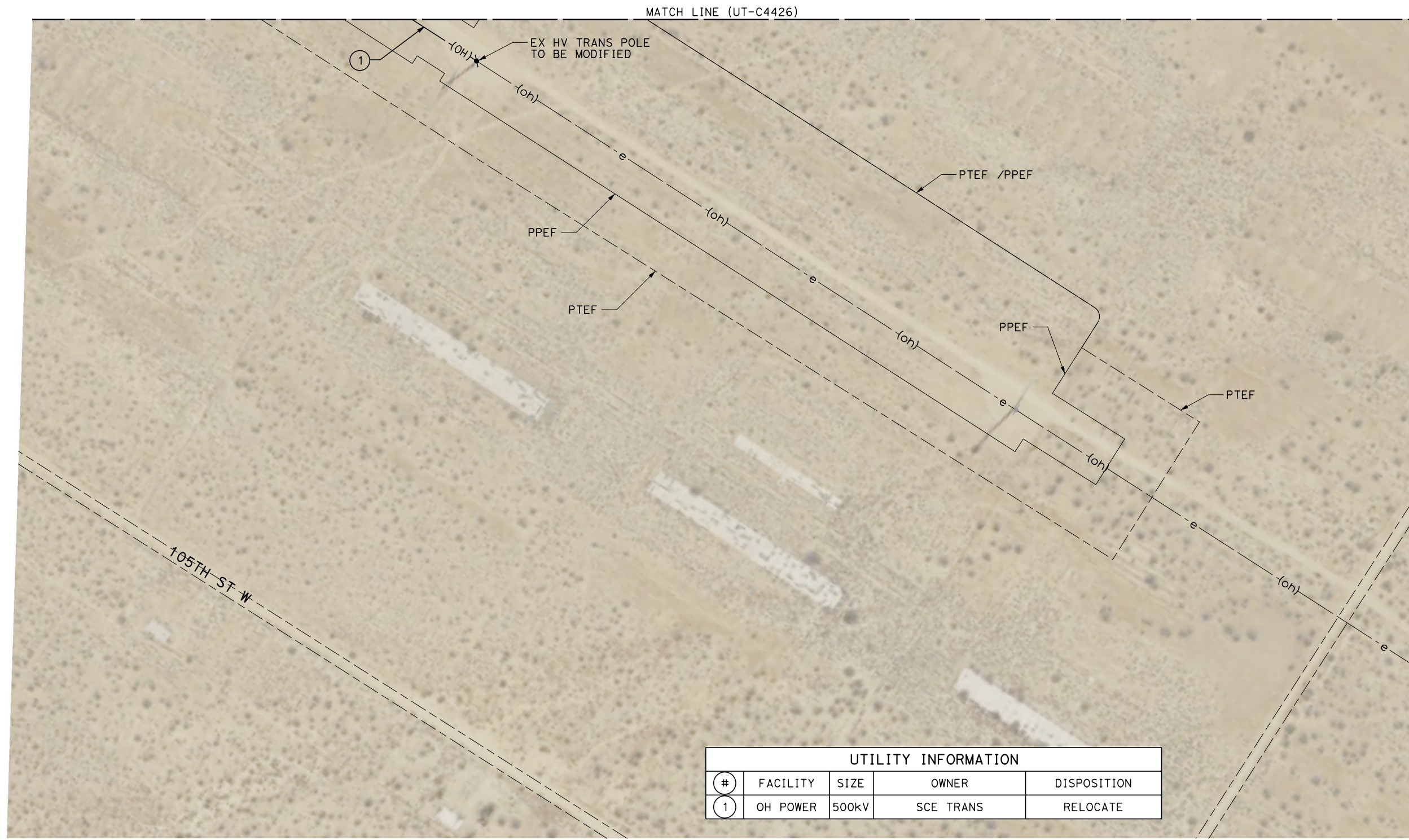
NOT FOR
CONSTRUCTION



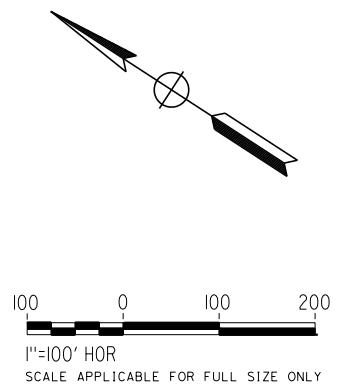
CALIFORNIA HIGH-SPEED RAIL PROJECT
BAKERSFIELD TO PALMDALE
COMPOSITE UTILITY PLANS
ALTERNATIVE 3
STA 19849+00 TO 19874+00

CONTRACT NO.
HSR13-44
DRAWING NO.
UT-C4448
SCALE
AS SHOWN
SHEET NO.
314

1/20/2021 4:58:28 AM
 Projects\701206.00_CHSRBP\00_CADD\Sheet Files\UT\A\1\3 (Tehachapi 2)\BP-UT-C4449



UTILITY INFORMATION				
#	FACILITY	SIZE	OWNER	DISPOSITION
1	OH POWER	500KV	SCE TRANS	RELOCATE

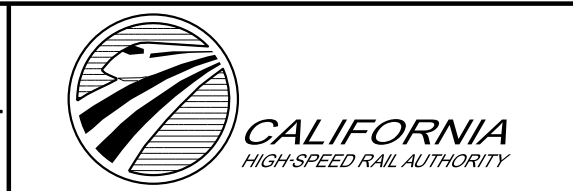


REV	DATE	BY	CHK	APP	DESCRIPTION

DESIGNED BY
D. HOLMAN
 DRAWN BY
J. LOPEZ
 CHECKED BY
G. CAMPBELL
 IN CHARGE
G. CAMPBELL
 DATE
01/29/2021

**RECORD SET
 PEPD
 SUBMITTAL**

**NOT FOR
 CONSTRUCTION**



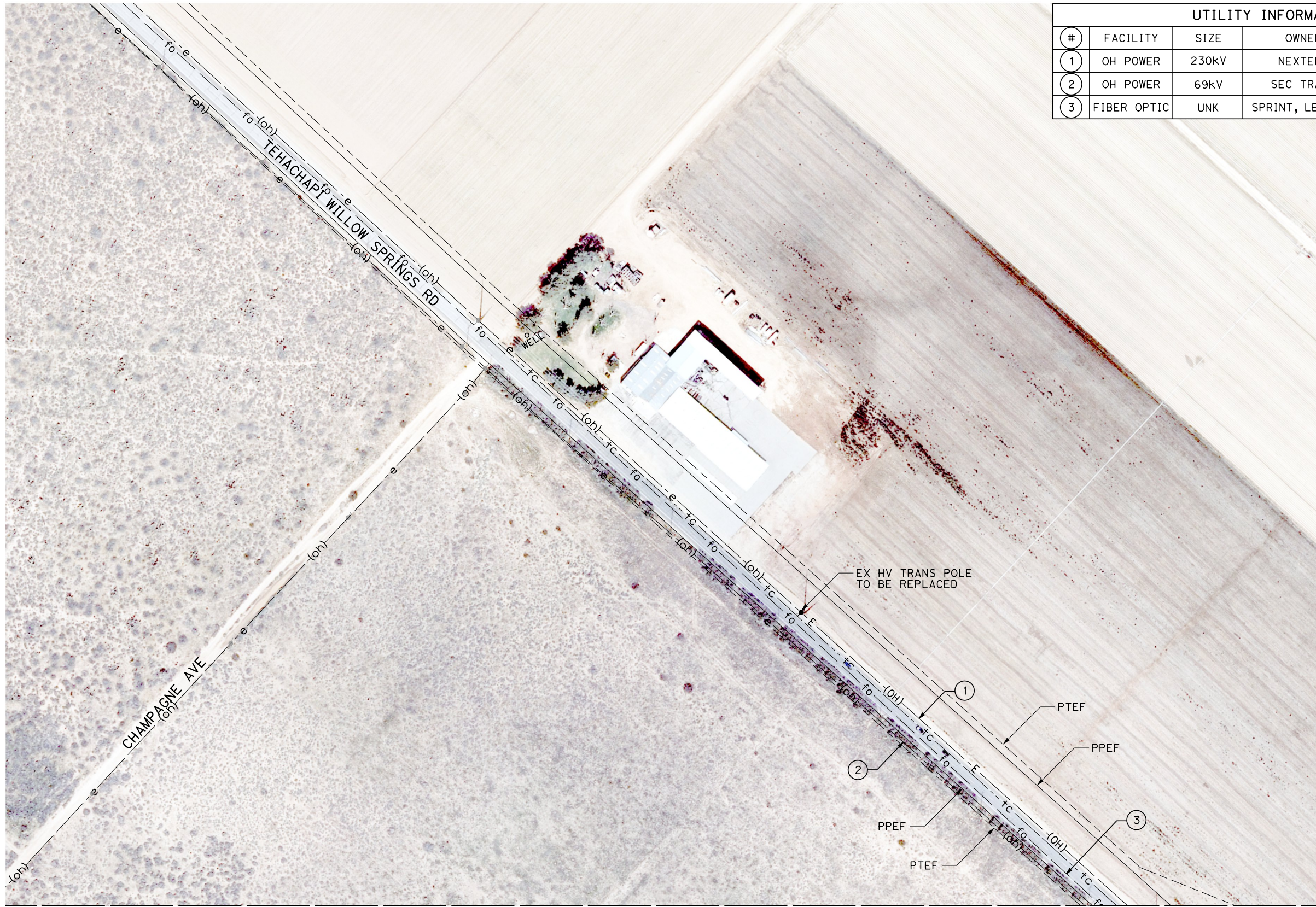
**CALIFORNIA HIGH-SPEED RAIL PROJECT
 BAKERSFIELD TO PALMDALE**
 COMPOSITE UTILITY PLANS
 ALTERNATIVE 3
 STA 19899+00 TO 19924+00

CONTRACT NO.
HSR13-44
 DRAWING NO.
UT-C4449
 SCALE
AS SHOWN
 SHEET NO.
315

Projects\701206.00_CHSRBP\00_CADD\Sheet Files\UT\1\3 (Tehachapi 2)\BP-UT-C4450

1/20/2021 4:41:18 AM

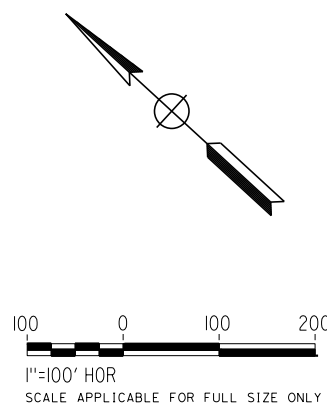
ics_user_17609



UTILITY INFORMATION				
#	FACILITY	SIZE	OWNER	DISPOSITION
1	OH POWER	230KV	NEXTERA	RELOCATE
2	OH POWER	69KV	SEC TRANS	PROTECT IN PLACE
3	FIBER OPTIC	UNK	SPRINT, LEVEL 3	PROTECT IN PLACE

MATCH LINE (UT-C4429)

MATCH LINE (UT-C4430)



REV	DATE	BY	CHK	APP	DESCRIPTION

DESIGNED BY
D. HOLMAN
DRAWN BY
J. LOPEZ
CHECKED BY
G. CAMPBELL
IN CHARGE
G. CAMPBELL
DATE
01/29/2021

**RECORD SET
PEPD
SUBMITTAL**

**NOT FOR
CONSTRUCTION**



**CALIFORNIA HIGH-SPEED RAIL PROJECT
BAKERSFIELD TO PALMDALE**
COMPOSITE UTILITY PLANS
ALTERNATIVE 3
STA 19974+00 TO 19999+00

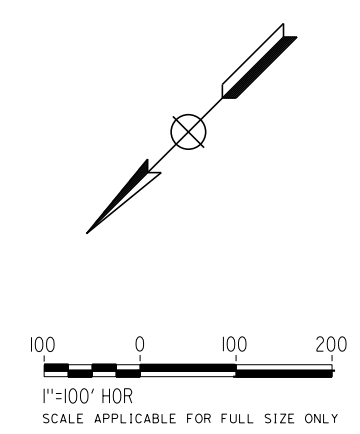
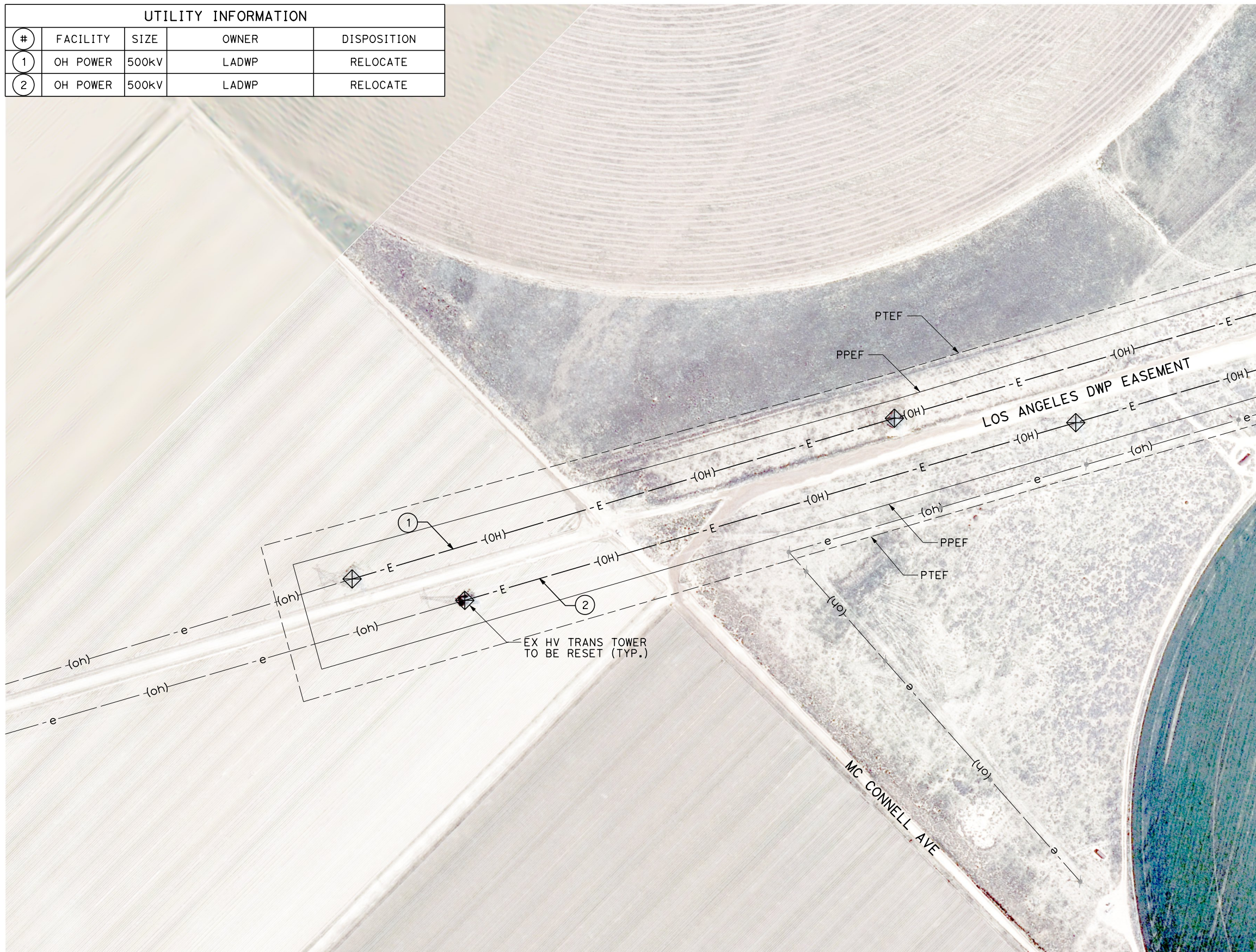
CONTRACT NO.
HSR13-44
DRAWING NO.
UT-C4450
SCALE
AS SHOWN
SHEET NO.
316

Projects\701206.00_CHSRBP\00_CADD\Sheet Files\UT\AI\T3 (Tenachapi 2)\BP-UT-C4451

1/20/2021 4:51:24 AM

_ics_user_17609

UTILITY INFORMATION				
#	FACILITY	SIZE	OWNER	DISPOSITION
1	OH POWER	500kV	LADWP	RELOCATE
2	OH POWER	500kV	LADWP	RELOCATE



REV	DATE	BY	CHK	APP	DESCRIPTION

DESIGNED BY
D. HOLMAN
DRAWN BY
J. LOPEZ
CHECKED BY
G. CAMPBELL
IN CHARGE
G. CAMPBELL
DATE
01/29/2021

RECORD SET
PEPD
SUBMITTAL

NOT FOR
CONSTRUCTION



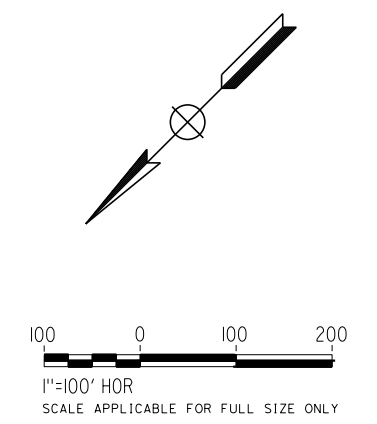
CALIFORNIA HIGH-SPEED RAIL PROJECT
BAKERSFIELD TO PALMDALE
COMPOSITE UTILITY PLANS
ALTERNATIVE 3
STA 20024+00 TO 20049+00

CONTRACT NO.
HSR13-44
DRAWING NO.
UT-C4451
SCALE
AS SHOWN
SHEET NO.
317

MATCH LINE (UT-C4431)



UTILITY INFORMATION				
#	FACILITY	SIZE	OWNER	DISPOSITION
1	OH POWER	500kV	LADWP	RELOCATE
2	OH POWER	500kV	LADWP	RELOCATE



REV	DATE	BY	CHK	APP	DESCRIPTION

DESIGNED BY
D. HOLMAN
DRAWN BY
J. LOPEZ
CHECKED BY
G. CAMPBELL
IN CHARGE
G. CAMPBELL
DATE
01/29/2021

**RECORD SET
PEPD
SUBMITTAL**

**NOT FOR
CONSTRUCTION**



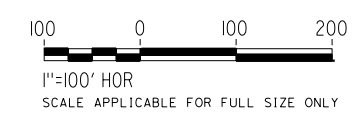
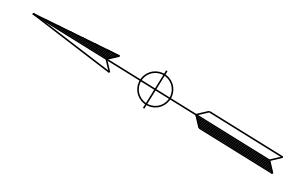
**CALIFORNIA HIGH-SPEED RAIL PROJECT
BAKERSFIELD TO PALMDALE**
COMPOSITE UTILITY PLANS
ALTERNATIVE 3
STA 20024+00 TO 20049+00

CONTRACT NO.
HSR13-44
DRAWING NO.
UT-C4452
SCALE
AS SHOWN
SHEET NO.
318

Projects\T01206.00_CHSRBP\00_CADD\Sheet Files\UT\Alt5 (Lancaster A)\BP-UT-C4501

1/20/2021 4:52:04 AM

jcs_user_17609

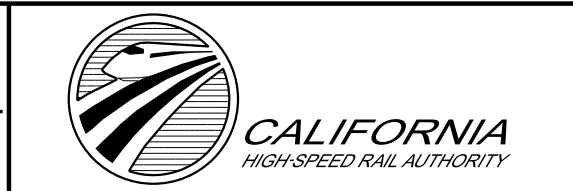


REV	DATE	BY	CHK	APP	DESCRIPTION

DESIGNED BY
D. HOLMAN
DRAWN BY
J. LOPEZ
CHECKED BY
G. CAMPBELL
IN CHARGE
G. CAMPBELL
DATE
01/29/2021

**RECORD SET
PEPD
SUBMITTAL**

**NOT FOR
CONSTRUCTION**



**CALIFORNIA HIGH-SPEED RAIL PROJECT
BAKERSFIELD TO PALMDALE**
COMPOSITE UTILITY PLANS
ALTERNATIVE 5
STA 20720+00 TO 20745+00

CONTRACT NO.
HSR13-44
DRAWING NO.
UT-C4501
SCALE
AS SHOWN
SHEET NO.
319