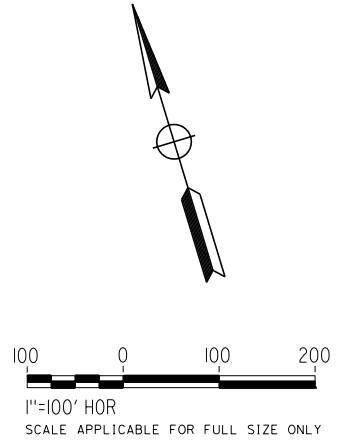
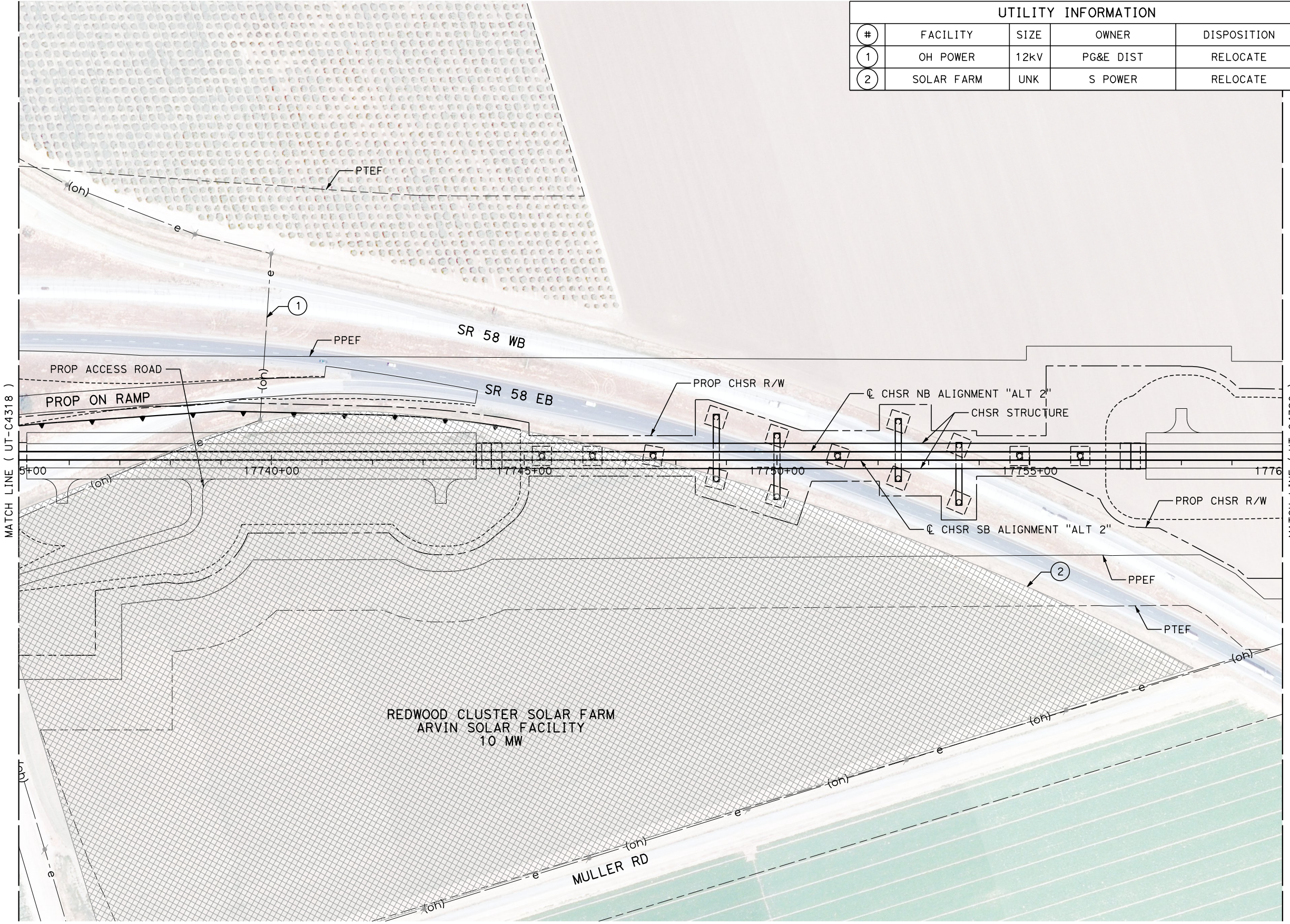


Projects\T01206.00_CHSRBP\00_CADD\Sheet Files\UT\Alt2 (Edison A)\BP-UT-C4319

1/20/2021 4:49:43 AM

ics_user_17609

UTILITY INFORMATION				
#	FACILITY	SIZE	OWNER	DISPOSITION
1	OH POWER	12kV	PG&E DIST	RELOCATE
2	SOLAR FARM	UNK	S POWER	RELOCATE



REV	DATE	BY	CHK	APP	DESCRIPTION

DESIGNED BY
D. HOLMAN
DRAWN BY
J. LOPEZ
CHECKED BY
G. CAMPBELL
IN CHARGE
G. CAMPBELL
DATE
01/29/2021

**RECORD SET
PEPD
SUBMITTAL**

**NOT FOR
CONSTRUCTION**

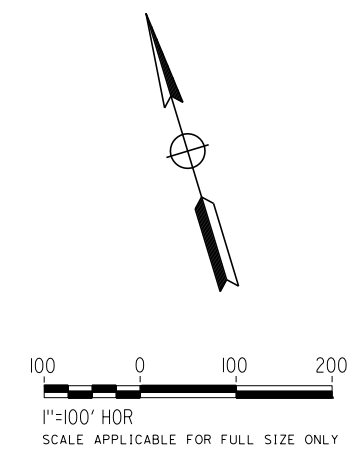
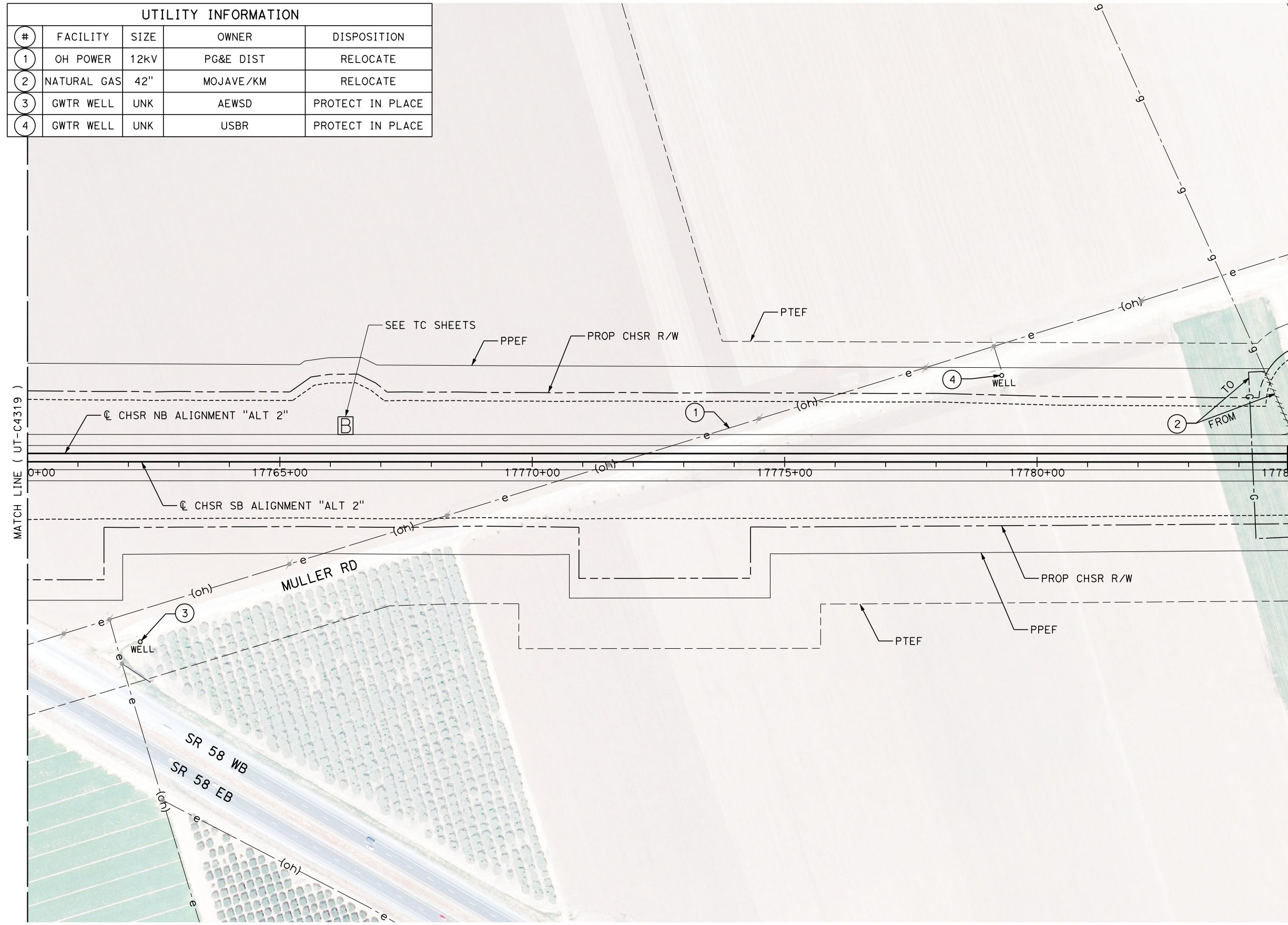


**CALIFORNIA HIGH-SPEED RAIL PROJECT
BAKERSFIELD TO PALMDALE**
COMPOSITE UTILITY PLANS
ALTERNATIVE 2
STA 17735+00 TO 17760+00

CONTRACT NO.
HSR13-44
DRAWING NO.
UT-C4319
SCALE
AS SHOWN
SHEET NO.
266

1/20/2021 4:38:22 AM
 Projects\701206.00_CHSRBP\00_CADD\Sheet Files\UT\A1\2 (Edison A)\BP-UT-C4320

UTILITY INFORMATION				
#	FACILITY	SIZE	OWNER	DISPOSITION
1	OH POWER	12KV	PG&E DIST	RELOCATE
2	NATURAL GAS	42"	MOJAVE/KM	RELOCATE
3	GWTR WELL	UNK	AEWSD	PROTECT IN PLACE
4	GWTR WELL	UNK	USBR	PROTECT IN PLACE



REV	DATE	BY	CHK	APP	DESCRIPTION

DESIGNED BY
D. HOLMAN
 DRAWN BY
J. LOPEZ
 CHECKED BY
G. CAMPBELL
 IN CHARGE
G. CAMPBELL
 DATE
01/29/2021

RECORD SET
PEPD
SUBMITTAL

NOT FOR
CONSTRUCTION



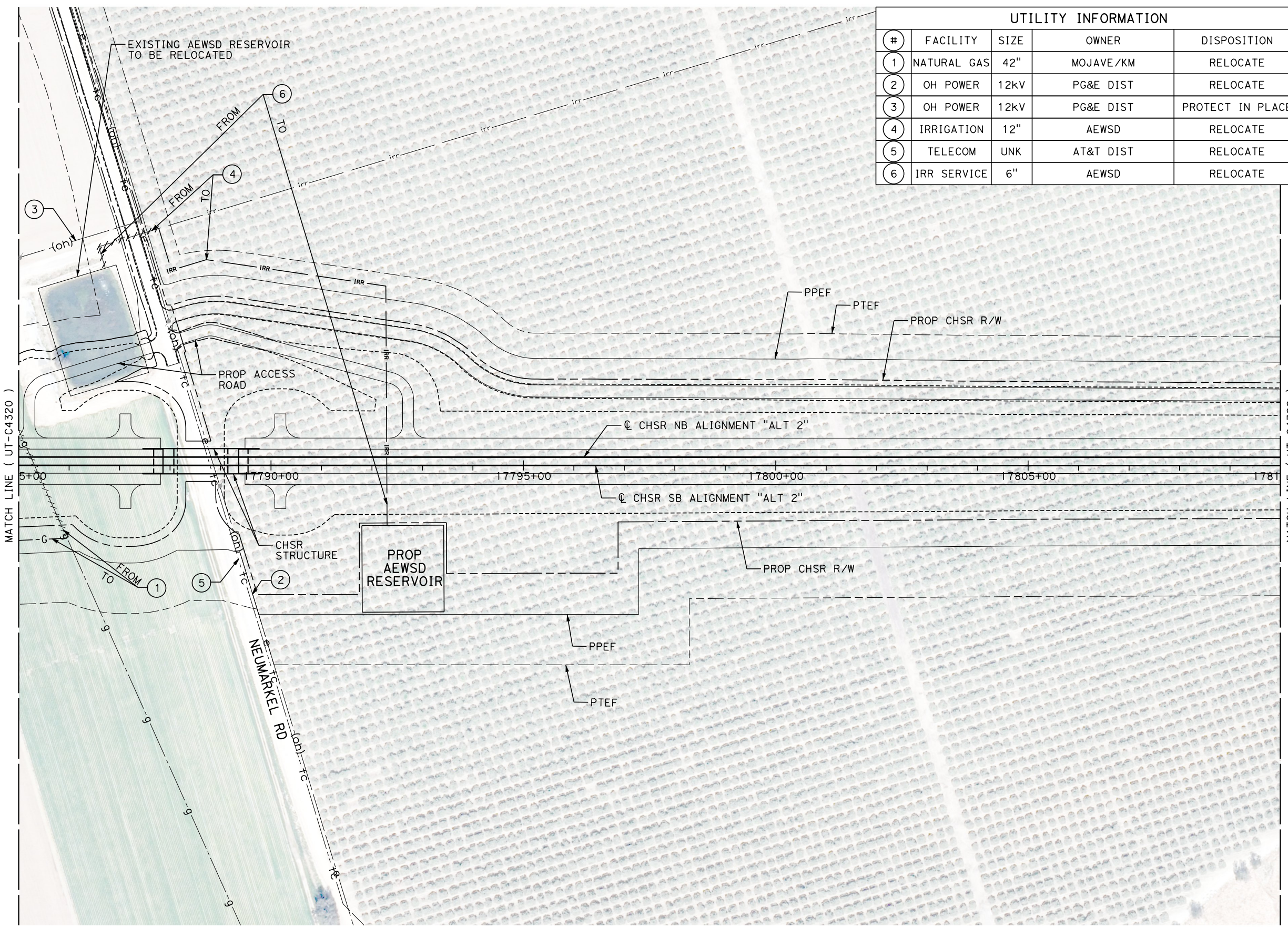
CALIFORNIA HIGH-SPEED RAIL PROJECT
BAKERSFIELD TO PALMDALE
 COMPOSITE UTILITY PLANS
 ALTERNATIVE 2
 STA 17760+00 TO 17785+00

CONTRACT NO.
HSR13-44
 DRAWING NO.
UT-C4320
 SCALE
AS SHOWN
 SHEET NO.
267

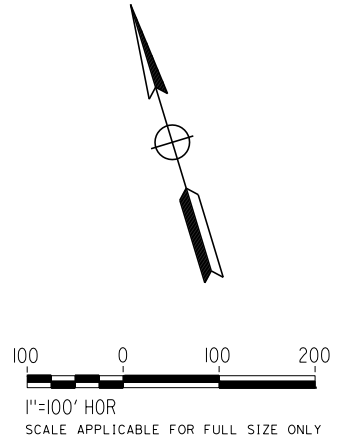
Projects\701206.00_CHSRBP\00_CADD\Sheet Files\UT\Alt2 (Edison A)\BP-UT-C4321

1/20/2021 4:37:31 AM

ics_user_17609



UTILITY INFORMATION				
#	FACILITY	SIZE	OWNER	DISPOSITION
1	NATURAL GAS	42"	MOJAVE/KM	RELOCATE
2	OH POWER	12kV	PG&E DIST	RELOCATE
3	OH POWER	12kV	PG&E DIST	PROTECT IN PLACE
4	IRRIGATION	12"	AEWSD	RELOCATE
5	TELECOM	UNK	AT&T DIST	RELOCATE
6	IRR SERVICE	6"	AEWSD	RELOCATE



REV	DATE	BY	CHK	APP	DESCRIPTION

DESIGNED BY
D. HOLMAN
DRAWN BY
J. LOPEZ
CHECKED BY
G. CAMPBELL
IN CHARGE
G. CAMPBELL
DATE
01/29/2021

**RECORD SET
PEPD
SUBMITTAL**

**NOT FOR
CONSTRUCTION**



**CALIFORNIA HIGH-SPEED RAIL PROJECT
BAKERSFIELD TO PALMDALE**
COMPOSITE UTILITY PLANS
ALTERNATIVE 2
STA 17785+00 TO 17810+00

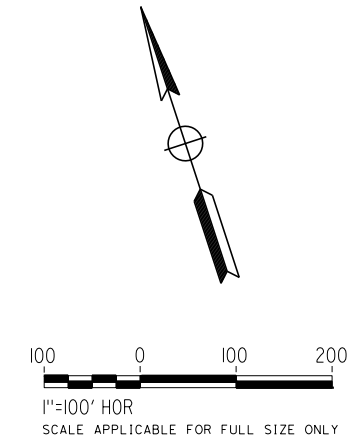
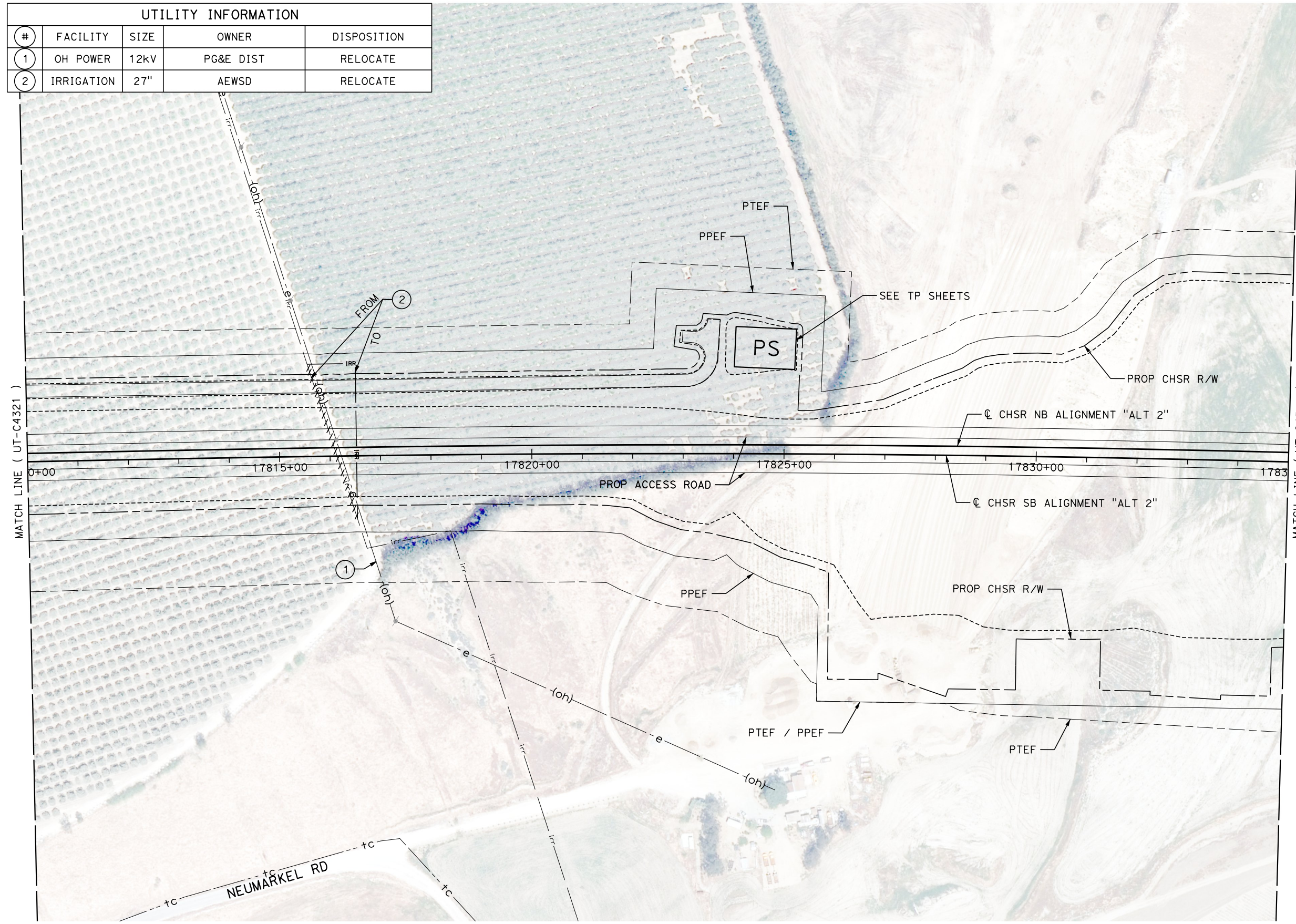
CONTRACT NO.
HSR13-44
DRAWING NO.
UT-C4321
SCALE
AS SHOWN
SHEET NO.
268

Projects\701206.00_CHSRBP\00_CADD\Sheet Files\UT\A1\12 (Edison A)\BP-UT-C4322

1/20/2021 4:47:08 AM

ics_user_17609

UTILITY INFORMATION				
#	FACILITY	SIZE	OWNER	DISPOSITION
1	OH POWER	12kV	PG&E DIST	RELOCATE
2	IRRIGATION	27"	AEWSD	RELOCATE



REV	DATE	BY	CHK	APP	DESCRIPTION

DESIGNED BY
D. HOLMAN

DRAWN BY
J. LOPEZ

CHECKED BY
G. CAMPBELL

IN CHARGE
G. CAMPBELL

DATE
01/29/2021

RECORD SET
PEPD
SUBMITTAL

NOT FOR
CONSTRUCTION



CALIFORNIA HIGH-SPEED RAIL PROJECT
BAKERSFIELD TO PALMDALE
COMPOSITE UTILITY PLANS
ALTERNATIVE 2
STA 17810+00 TO 17835+00

CONTRACT NO.
HSR13-44

DRAWING NO.
UT-C4322

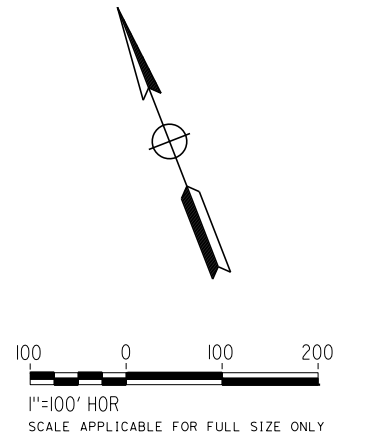
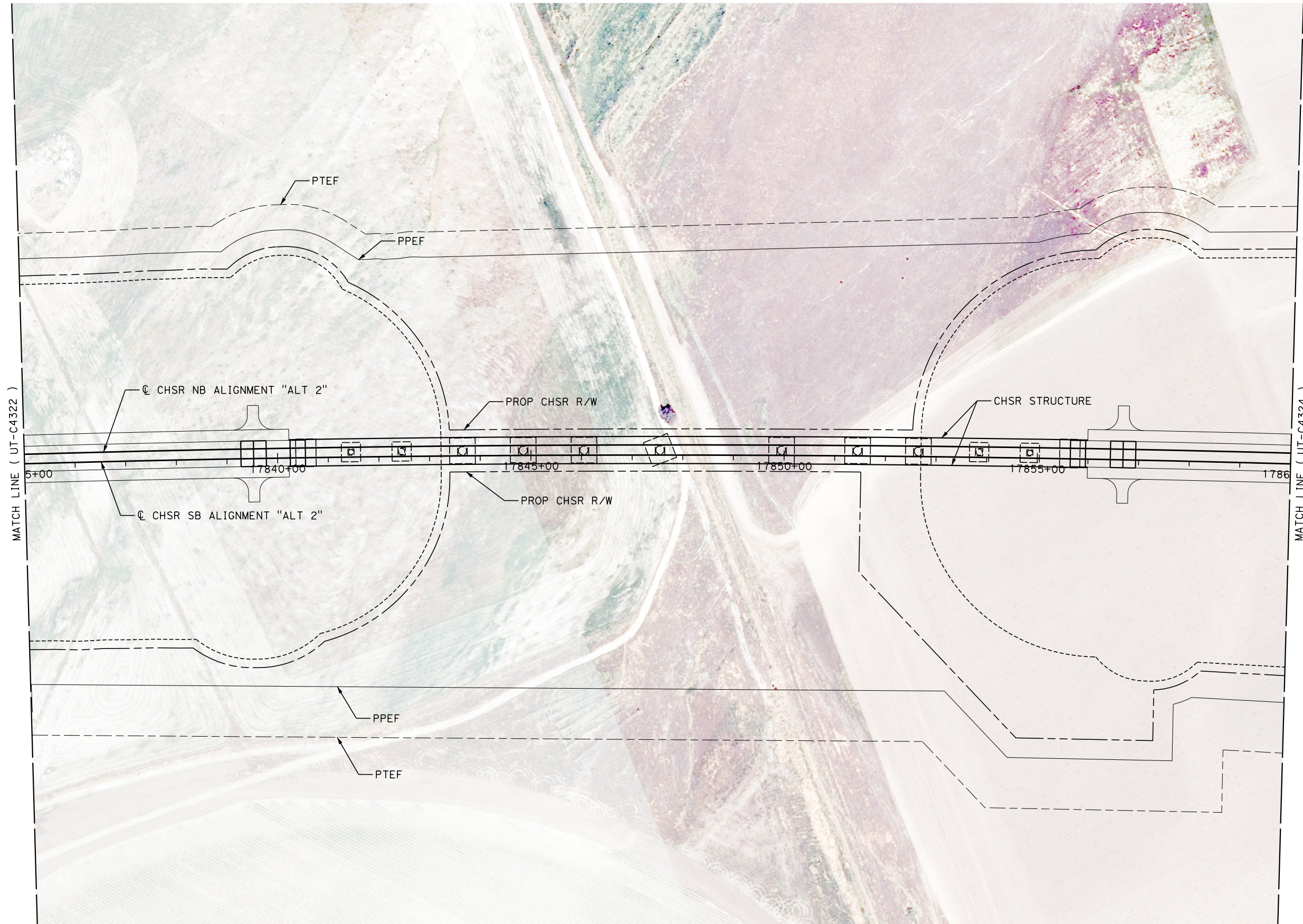
SCALE
AS SHOWN

SHEET NO.
269

Projects\701206.00_CHSRBP\00_CADD\Sheet Files\UT\Alt2 (Edison A)\BP-UT-C4323

1/20/2021 4:57:19 AM

ics_user_17609



REV	DATE	BY	CHK	APP	DESCRIPTION

DESIGNED BY
D. HOLMAN
DRAWN BY
J. LOPEZ
CHECKED BY
G. CAMPBELL
IN CHARGE
G. CAMPBELL
DATE
01/29/2021

**RECORD SET
PEPD
SUBMITTAL**

**NOT FOR
CONSTRUCTION**



**CALIFORNIA HIGH-SPEED RAIL PROJECT
BAKERSFIELD TO PALMDALE**
COMPOSITE UTILITY PLANS
ALTERNATIVE 2
STA 17835+00 TO 17860+00

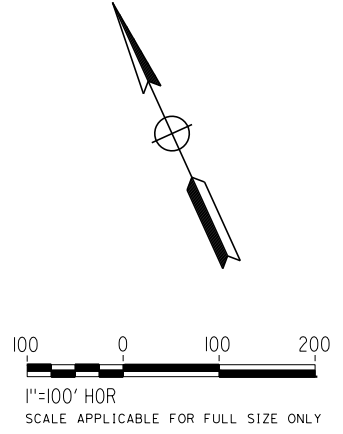
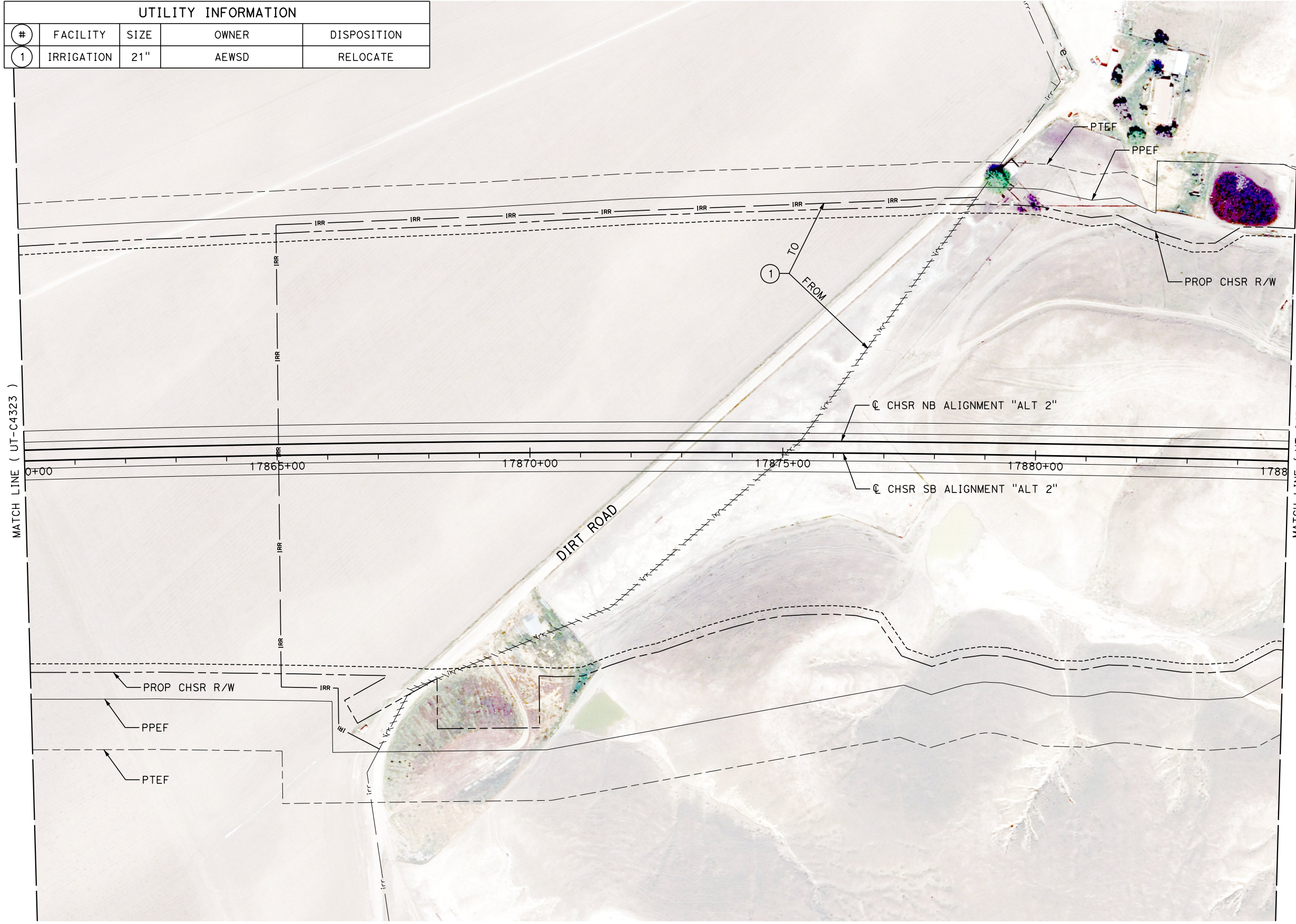
CONTRACT NO.
HSR13-44
DRAWING NO.
UT-C4323
SCALE
AS SHOWN
SHEET NO.
270

Projects\701206.00_CHSRBP\00_CADD\Sheet Files\UT\A1\12 (Edison A)\BP-UT-C4324

1/20/2021 4:47:29 AM

ics_user_17609

UTILITY INFORMATION				
#	FACILITY	SIZE	OWNER	DISPOSITION
1	IRRIGATION	21"	AEWSD	RELOCATE



REV	DATE	BY	CHK	APP	DESCRIPTION

DESIGNED BY
D. HOLMAN
DRAWN BY
J. LOPEZ
CHECKED BY
G. CAMPBELL
IN CHARGE
G. CAMPBELL
DATE
01/29/2021

RECORD SET
PEPD
SUBMITTAL

NOT FOR
CONSTRUCTION



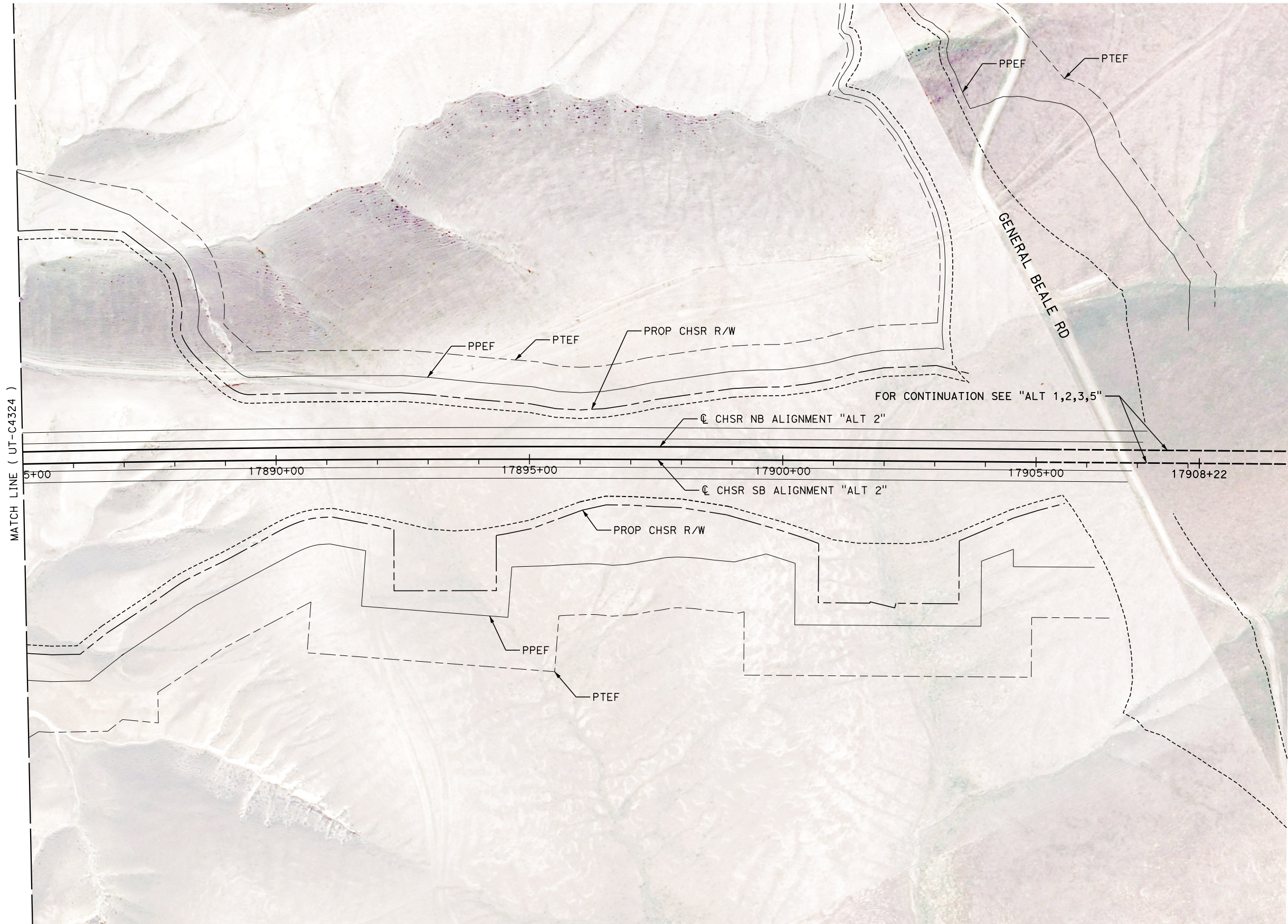
CALIFORNIA HIGH-SPEED RAIL PROJECT
BAKERSFIELD TO PALMDALE
COMPOSITE UTILITY PLANS
ALTERNATIVE 2
STA 17860+00 TO 17885+00

CONTRACT NO.
HSR13-44
DRAWING NO.
UT-C4324
SCALE
AS SHOWN
SHEET NO.
271

Projects\701206.00_CHSRBP\00_CADD\Sheet Files\UT\Alt2 (Edison A)\BP-UT-C4325

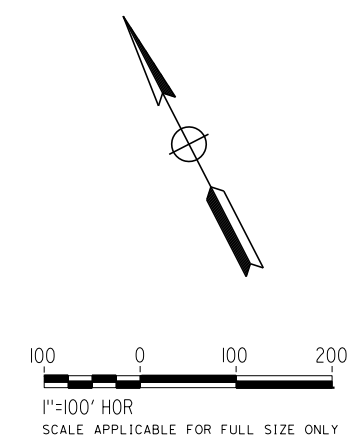
1/20/2021 4:40:22 AM

ics_user_17609



MATCH LINE (UT-C4324)

5+00 17890+00 17895+00 17900+00 17905+00 17908+22



REV	DATE	BY	CHK	APP	DESCRIPTION

DESIGNED BY
D. HOLMAN
DRAWN BY
J. LOPEZ
CHECKED BY
G. CAMPBELL
IN CHARGE
G. CAMPBELL
DATE
01/29/2021

**RECORD SET
PEPD
SUBMITTAL**

**NOT FOR
CONSTRUCTION**



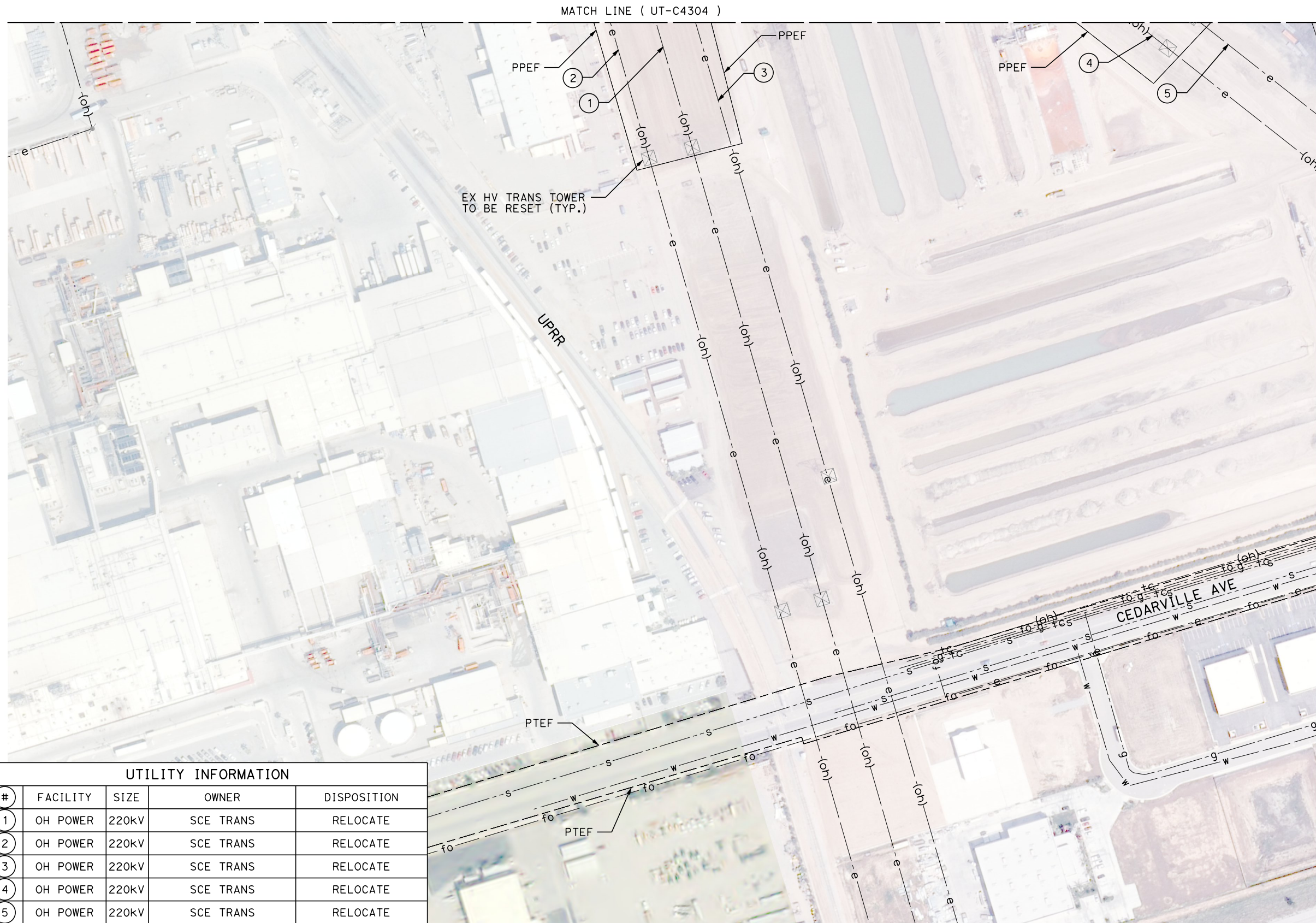
**CALIFORNIA HIGH-SPEED RAIL PROJECT
BAKERSFIELD TO PALMDALE**
COMPOSITE UTILITY PLANS
ALTERNATIVE 2
STA 17885+00 TO 17908+22

CONTRACT NO.
HSR13-44
DRAWING NO.
UT-C4325
SCALE
AS SHOWN
SHEET NO.
272

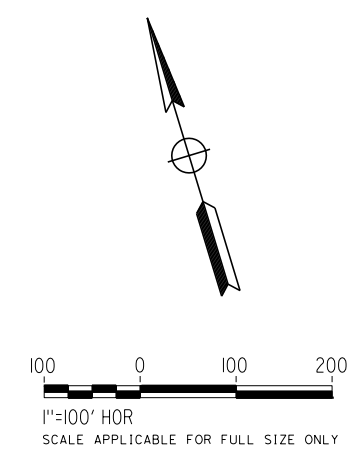
Projects\701206.00_CHSRBP\00_CADD\Sheet Files\UT\A1\T2 (Edison A)\BP-UT-C4331

1/20/2021 4:51:26 AM

ics_user_17609



UTILITY INFORMATION				
#	FACILITY	SIZE	OWNER	DISPOSITION
1	OH POWER	220kV	SCE TRANS	RELOCATE
2	OH POWER	220kV	SCE TRANS	RELOCATE
3	OH POWER	220kV	SCE TRANS	RELOCATE
4	OH POWER	220kV	SCE TRANS	RELOCATE
5	OH POWER	220kV	SCE TRANS	RELOCATE



REV	DATE	BY	CHK	APP	DESCRIPTION

DESIGNED BY
D. HOLMAN

DRAWN BY
J. LOPEZ

CHECKED BY
G. CAMPBELL

IN CHARGE
G. CAMPBELL

DATE
01/29/2021

**RECORD SET
PEPD
SUBMITTAL**

**NOT FOR
CONSTRUCTION**



**CALIFORNIA HIGH-SPEED RAIL PROJECT
BAKERSFIELD TO PALMDALE**

COMPOSITE UTILITY PLANS
ALTERNATIVE 2
STA 17360+00 TO 17385+00

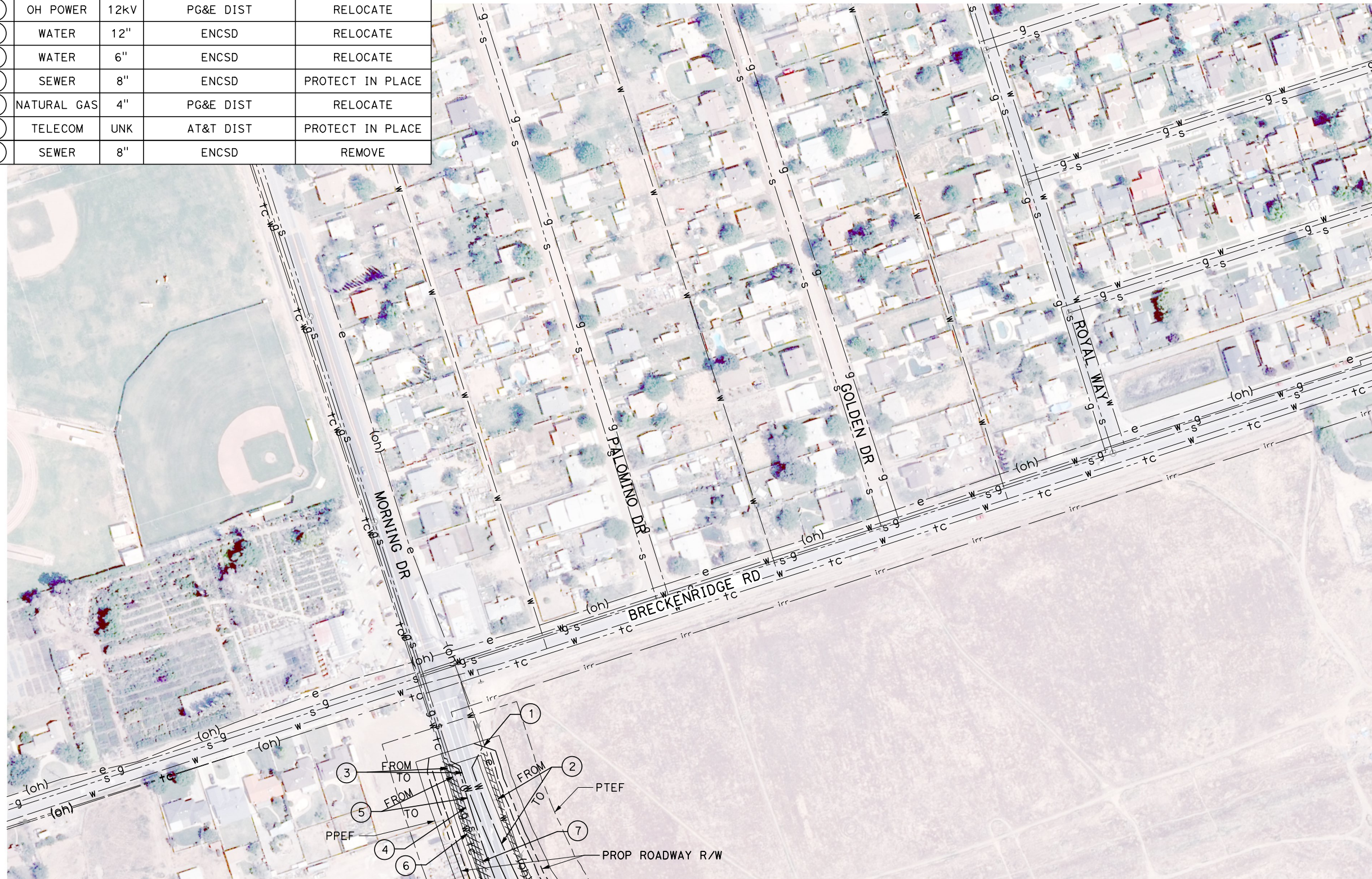
CONTRACT NO.
HSR13-44

DRAWING NO.
UT-C4331

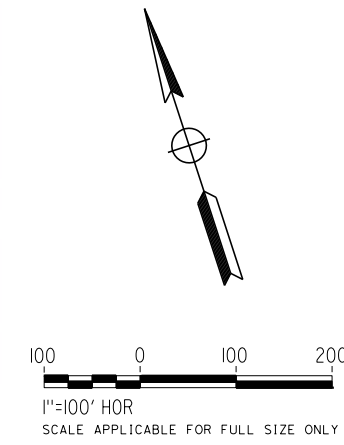
SCALE
AS SHOWN

SHEET NO.
273

UTILITY INFORMATION				
#	FACILITY	SIZE	OWNER	DISPOSITION
1	OH POWER	12KV	PG&E DIST	RELOCATE
2	WATER	12"	ENCSD	RELOCATE
3	WATER	6"	ENCSD	RELOCATE
4	SEWER	8"	ENCSD	PROTECT IN PLACE
5	NATURAL GAS	4"	PG&E DIST	RELOCATE
6	TELECOM	UNK	AT&T DIST	PROTECT IN PLACE
7	SEWER	8"	ENCSD	REMOVE



MATCH LINE (UT-C4305)



Projects\701206.00_CHSRBP\00_CADD\Sheet Files\UT\A1\T2 (Edison A)\BP-UT-C4332

1/20/2021 4:50:06 AM

jcs_user_17609

REV	DATE	BY	CHK	APP	DESCRIPTION

DESIGNED BY
D. HOLMAN
DRAWN BY
J. LOPEZ
CHECKED BY
G. CAMPBELL
IN CHARGE
G. CAMPBELL
DATE
01/29/2021

**RECORD SET
PEPD
SUBMITTAL**

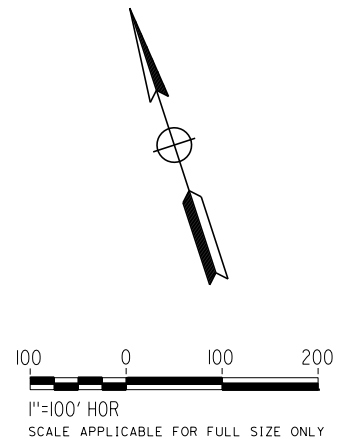
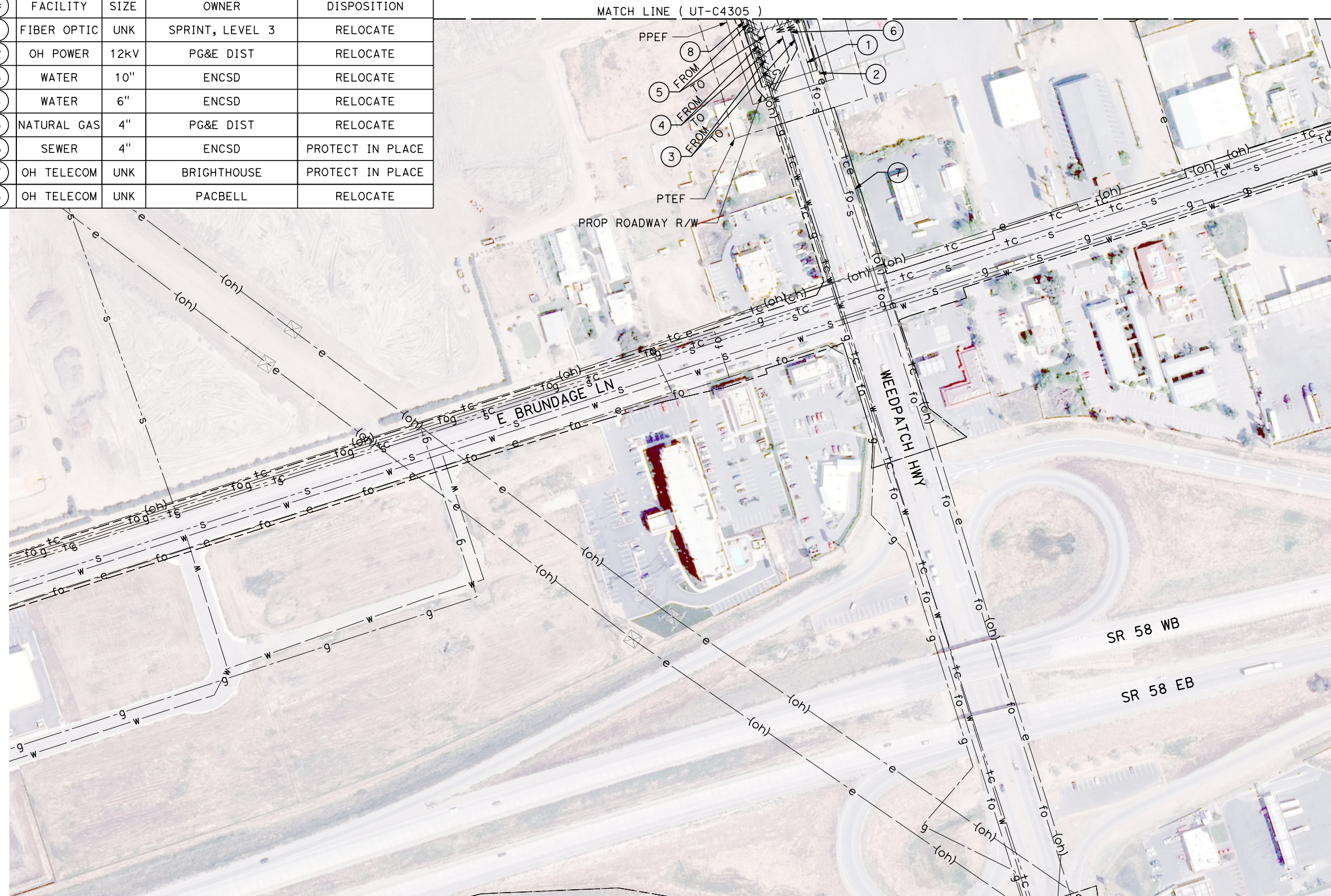
**NOT FOR
CONSTRUCTION**



**CALIFORNIA HIGH-SPEED RAIL PROJECT
BAKERSFIELD TO PALMDALE**
COMPOSITE UTILITY PLANS
ALTERNATIVE 2
STA 17385+00 TO 17410+00

CONTRACT NO.
HSR13-44
DRAWING NO.
UT-C4332
SCALE
AS SHOWN
SHEET NO.
274

UTILITY INFORMATION				
#	FACILITY	SIZE	OWNER	DISPOSITION
1	FIBER OPTIC	UNK	SPRINT, LEVEL 3	RELOCATE
2	OH POWER	12kV	PG&E DIST	RELOCATE
3	WATER	10"	ENCSD	RELOCATE
4	WATER	6"	ENCSD	RELOCATE
5	NATURAL GAS	4"	PG&E DIST	RELOCATE
6	SEWER	4"	ENCSD	PROTECT IN PLACE
7	OH TELECOM	UNK	BRIGHTHOUSE	PROTECT IN PLACE
8	OH TELECOM	UNK	PACBELL	RELOCATE



1/20/2021 4:47:49 AM Projects\701206.00_CHSRBP\00_CADD\Sheet Files\UT\A1\T2 (Edison A)\BP-UT-C4333

REV	DATE	BY	CHK	APP	DESCRIPTION

DESIGNED BY
D. HOLMAN
DRAWN BY
J. LOPEZ
CHECKED BY
G. CAMPBELL
IN CHARGE
G. CAMPBELL
DATE
01/29/2021

RECORD SET
PEPD
SUBMITTAL

NOT FOR
CONSTRUCTION



CALIFORNIA HIGH-SPEED RAIL PROJECT
BAKERSFIELD TO PALMDALE
COMPOSITE UTILITY PLANS
ALTERNATIVE 2
STA 17385+00 TO 17410+00

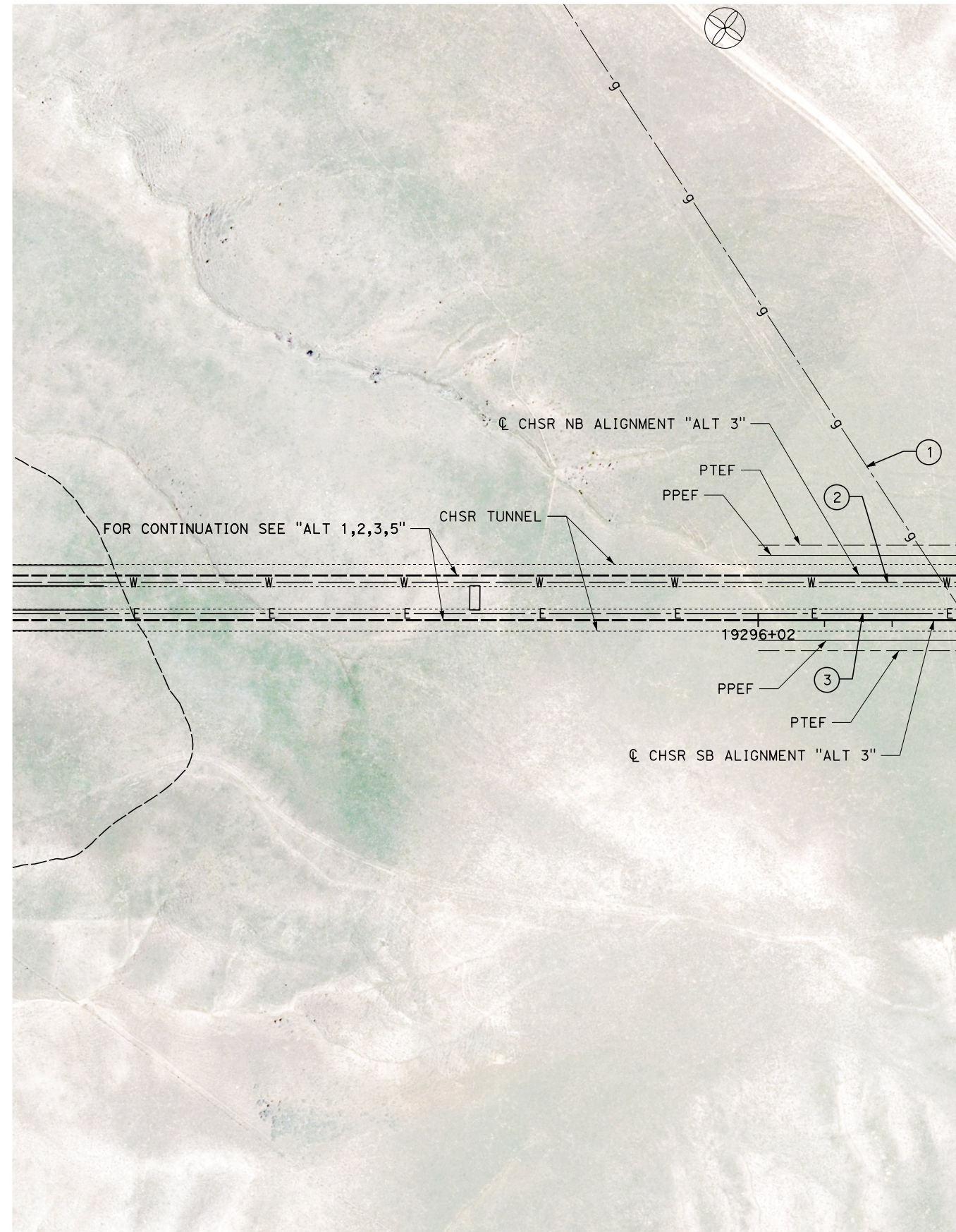
CONTRACT NO.
HSR13-44
DRAWING NO.
UT-C4333
SCALE
AS SHOWN
SHEET NO.
275

Projects\701206.00_CHSRBP\00_CADD\Sheet Files\UT\Alt3 (Tehachapi 2)\BP-UT-C4401

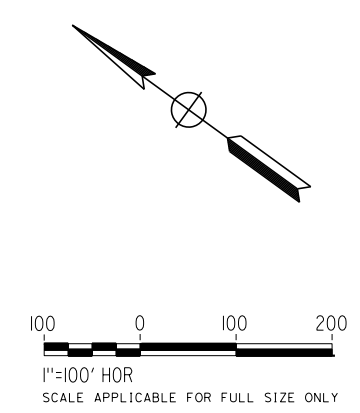
1/20/2021 4:50:35 AM

ics_user_17609

UTILITY INFORMATION				
#	FACILITY	SIZE	OWNER	DISPOSITION
1	NATURAL GAS	6"	SEMPRA TRANS	PROTECT IN PLACE
2	FIRE WATER	4"	CHSR	NEW
3	ELEC POWER	TBD	CHSR	NEW



MATCH LINE (UT-C4402)



REV	DATE	BY	CHK	APP	DESCRIPTION

DESIGNED BY
D. HOLMAN
DRAWN BY
J. LOPEZ
CHECKED BY
G. CAMPBELL
IN CHARGE
G. CAMPBELL
DATE
01/29/2021

**RECORD SET
PEPD
SUBMITTAL**

**NOT FOR
CONSTRUCTION**

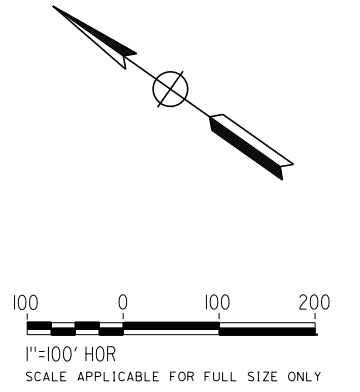
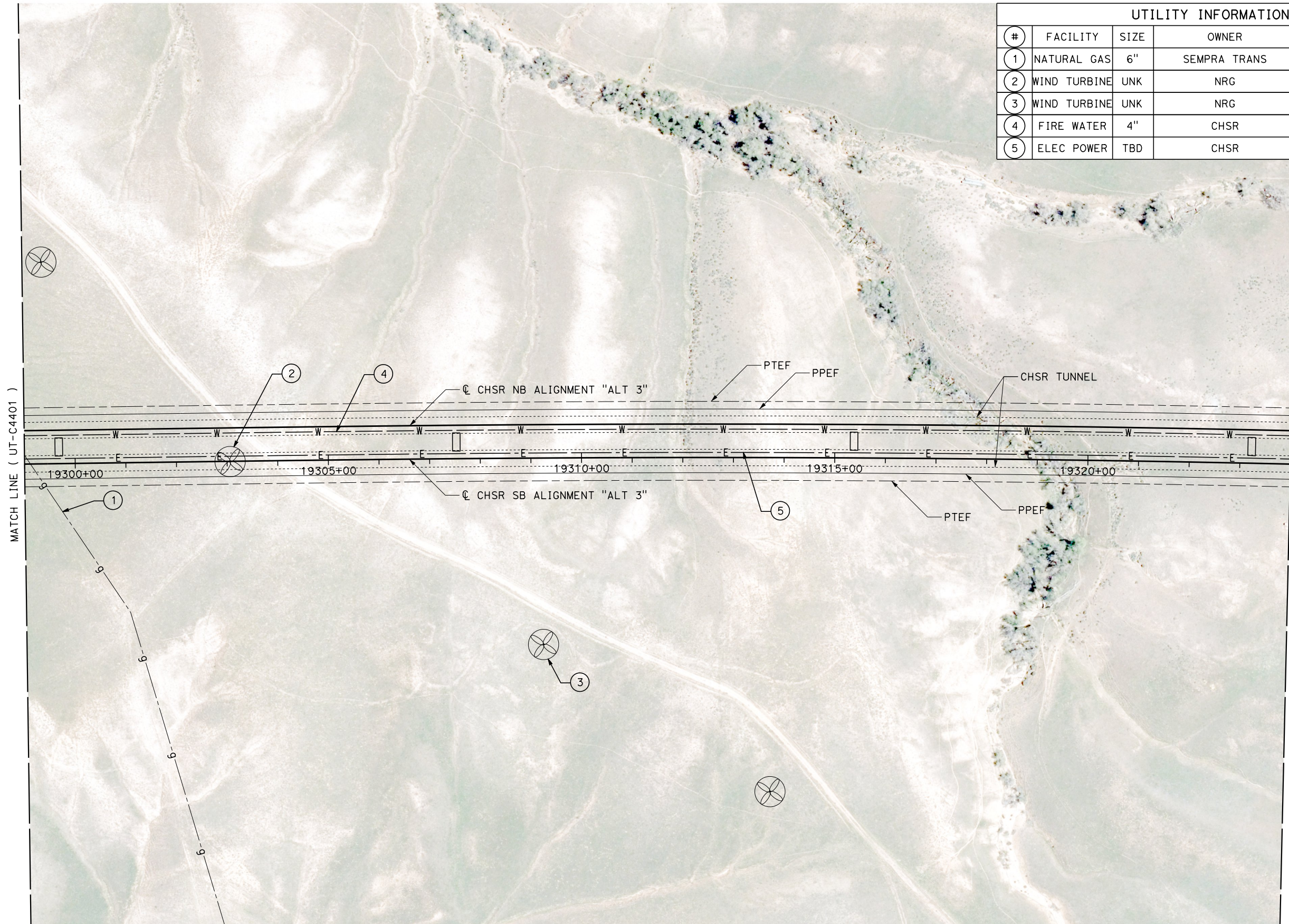


**CALIFORNIA HIGH-SPEED RAIL PROJECT
BAKERSFIELD TO PALMDALE**
COMPOSITE UTILITY PLANS
ALTERNATIVE 3
STA 19296+02 TO 19299+46

CONTRACT NO.
HSR13-44
DRAWING NO.
UT-C4401
SCALE
AS SHOWN
SHEET NO.
276

1/20/2021 4:46:40 AM
 Projects\701206.00_CHSRBP\00_CADD\Sheet Files\UT\Alt3 (Tenachapi 2)\BP-UT-C4402
 jcs_user_17609

UTILITY INFORMATION				
#	FACILITY	SIZE	OWNER	DISPOSITION
1	NATURAL GAS	6"	SEMPRA TRANS	PROTECT IN PLACE
2	WIND TURBINE	UNK	NRG	PROTECT IN PLACE
3	WIND TURBINE	UNK	NRG	PROTECT IN PLACE
4	FIRE WATER	4"	CHSR	NEW
5	ELEC POWER	TBD	CHSR	NEW



REV	DATE	BY	CHK	APP	DESCRIPTION

DESIGNED BY
D. HOLMAN
 DRAWN BY
J. LOPEZ
 CHECKED BY
G. CAMPBELL
 IN CHARGE
G. CAMPBELL
 DATE
01/29/2021

RECORD SET
PEPD
SUBMITTAL

NOT FOR
CONSTRUCTION

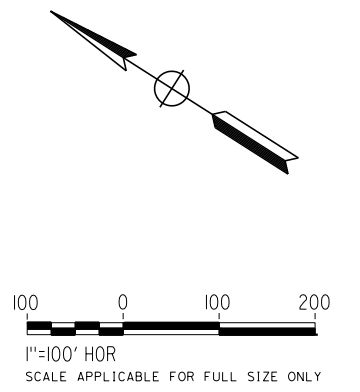
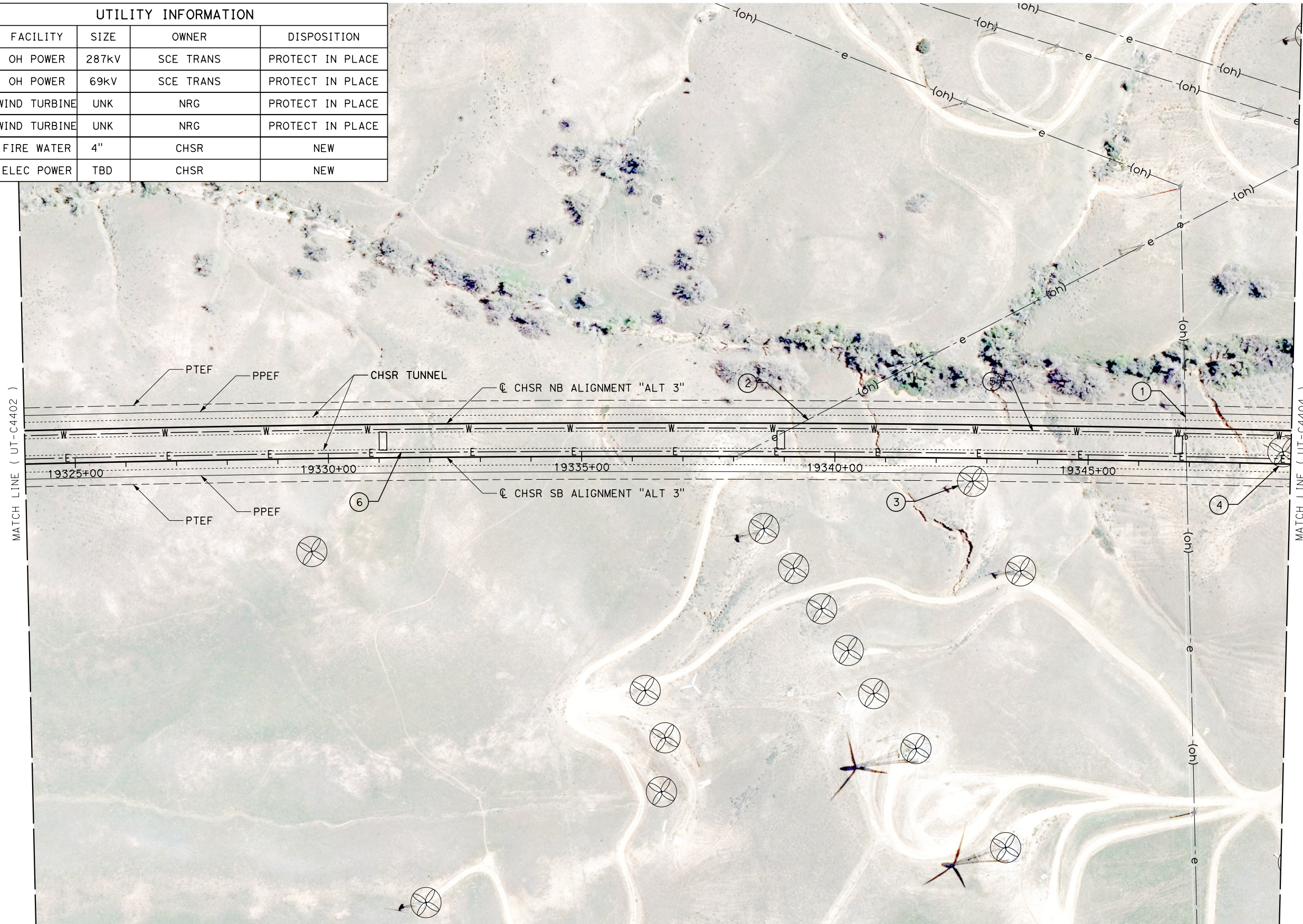


CALIFORNIA HIGH-SPEED RAIL PROJECT
BAKERSFIELD TO PALMDALE
 COMPOSITE UTILITY PLANS
 ALTERNATIVE 3
 STA 19299+46 TO 19324+00

CONTRACT NO.
HSR13-44
 DRAWING NO.
UT-C4402
 SCALE
AS SHOWN
 SHEET NO.
277

1/20/2021 4:40:49 AM Projects\701206.00_CHSRBP\00_CADD\Sheet Files\UT\Alt3 (Tenochapi 2)\BP-UT-C4403

UTILITY INFORMATION				
#	FACILITY	SIZE	OWNER	DISPOSITION
1	OH POWER	287kV	SCE TRANS	PROTECT IN PLACE
2	OH POWER	69kV	SCE TRANS	PROTECT IN PLACE
3	WIND TURBINE	UNK	NRG	PROTECT IN PLACE
4	WIND TURBINE	UNK	NRG	PROTECT IN PLACE
5	FIRE WATER	4"	CHSR	NEW
6	ELEC POWER	TBD	CHSR	NEW



REV	DATE	BY	CHK	APP	DESCRIPTION

DESIGNED BY
D. HOLMAN
DRAWN BY
J. LOPEZ
CHECKED BY
G. CAMPBELL
IN CHARGE
G. CAMPBELL
DATE
01/29/2021

**RECORD SET
PEPD
SUBMITTAL**

**NOT FOR
CONSTRUCTION**



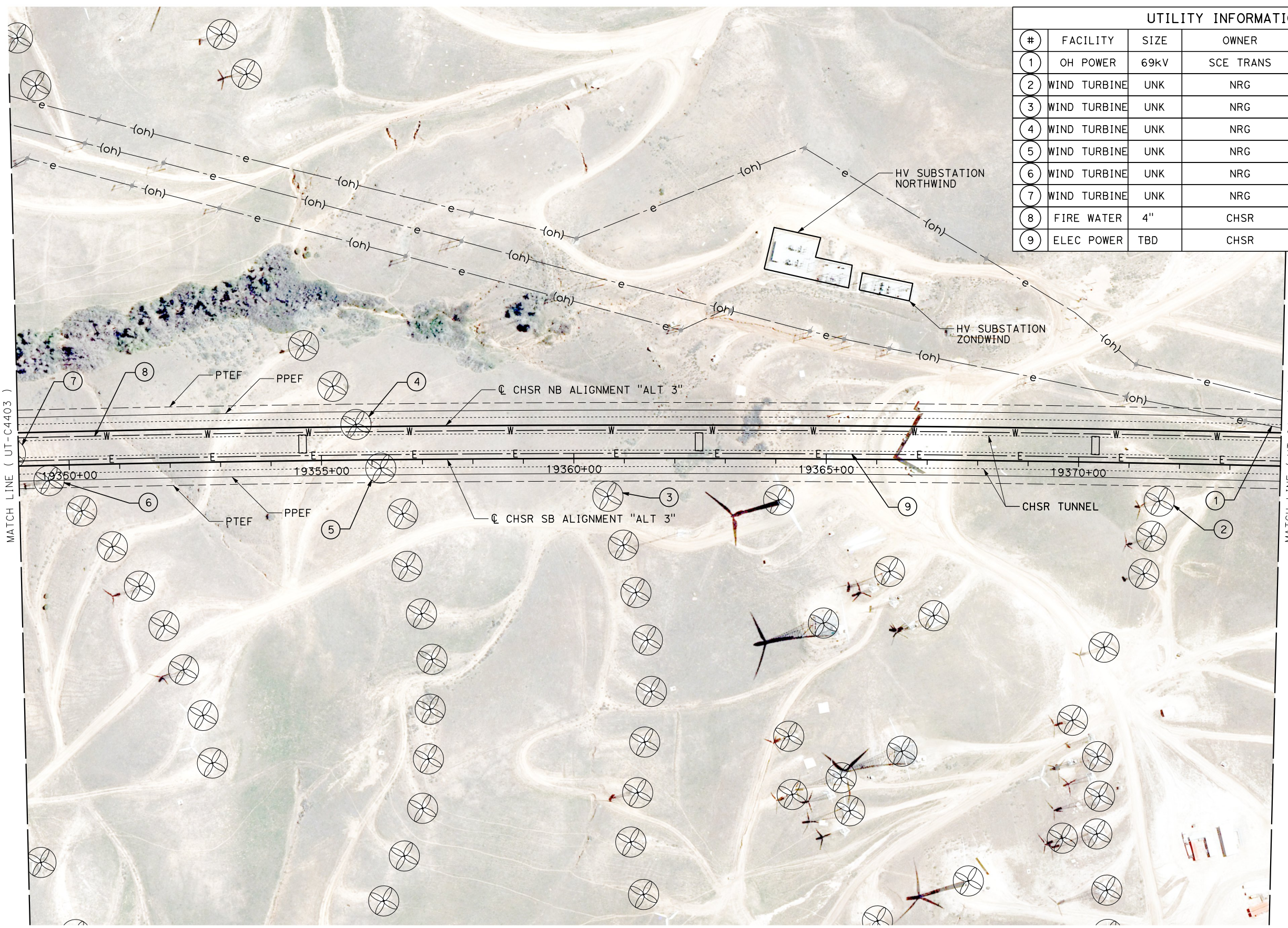
**CALIFORNIA HIGH-SPEED RAIL PROJECT
BAKERSFIELD TO PALMDALE**
COMPOSITE UTILITY PLANS
ALTERNATIVE 3
STA 19324+00 TO 19349+00

CONTRACT NO.
HSR13-44
DRAWING NO.
UT-C4403
SCALE
AS SHOWN
SHEET NO.
278

Projects\701206.00_CHSRBP\00_CADD\Sheet Files\UT\Alt3 (Tenochapi 2)\BP-UT-C4404

1/20/2021 4:52:01 AM

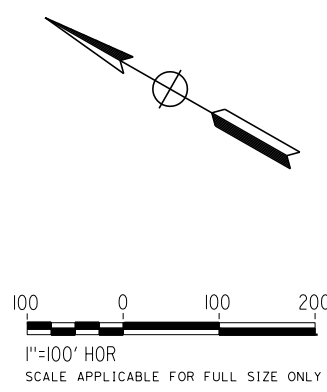
ics_user_17609



UTILITY INFORMATION				
#	FACILITY	SIZE	OWNER	DISPOSITION
1	OH POWER	69kV	SCE TRANS	PROTECT IN PLACE
2	WIND TURBINE	UNK	NRG	PROTECT IN PLACE
3	WIND TURBINE	UNK	NRG	PROTECT IN PLACE
4	WIND TURBINE	UNK	NRG	PROTECT IN PLACE
5	WIND TURBINE	UNK	NRG	PROTECT IN PLACE
6	WIND TURBINE	UNK	NRG	PROTECT IN PLACE
7	WIND TURBINE	UNK	NRG	PROTECT IN PLACE
8	FIRE WATER	4"	CHSR	NEW
9	ELEC POWER	TBD	CHSR	NEW

MATCH LINE (UT-C4403)

MATCH LINE (UT-C4405)



REV	DATE	BY	CHK	APP	DESCRIPTION

DESIGNED BY
D. HOLMAN
DRAWN BY
J. LOPEZ
CHECKED BY
G. CAMPBELL
IN CHARGE
G. CAMPBELL
DATE
01/29/2021

**RECORD SET
PEPD
SUBMITTAL**

**NOT FOR
CONSTRUCTION**

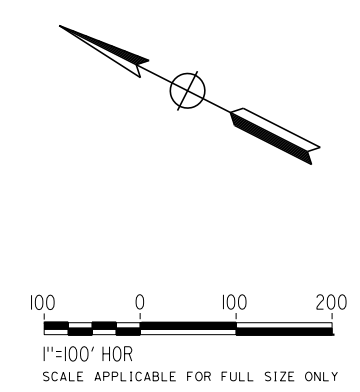
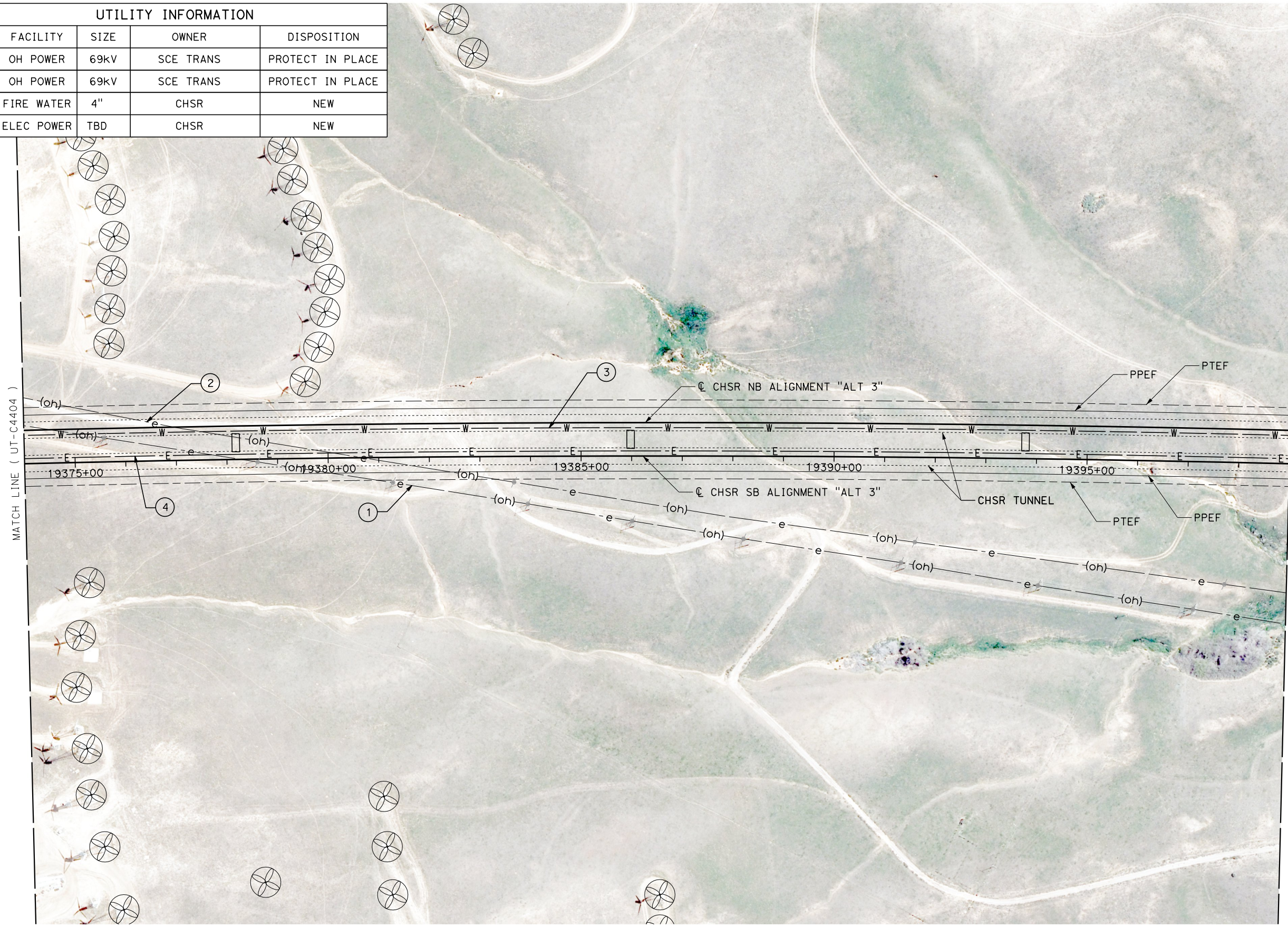


**CALIFORNIA HIGH-SPEED RAIL PROJECT
BAKERSFIELD TO PALMDALE**
COMPOSITE UTILITY PLANS
ALTERNATIVE 3
STA 19349+00 TO 19374+00

CONTRACT NO.
HSR13-44
DRAWING NO.
UT-C4404
SCALE
AS SHOWN
SHEET NO.
279

1/20/2021 4:50:56 AM
 Projects\701206.00_CHSRBP\00_CADD\Sheet Files\UT\Alt3 (Tenachapi 2)\BP-UT-C4405

UTILITY INFORMATION				
#	FACILITY	SIZE	OWNER	DISPOSITION
1	OH POWER	69KV	SCE TRANS	PROTECT IN PLACE
2	OH POWER	69KV	SCE TRANS	PROTECT IN PLACE
3	FIRE WATER	4"	CHSR	NEW
4	ELEC POWER	TBD	CHSR	NEW

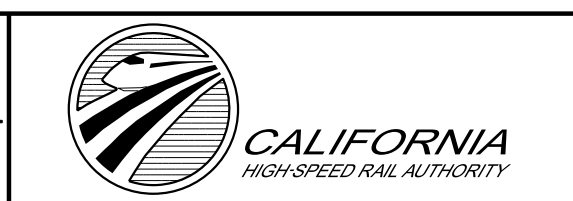


REV	DATE	BY	CHK	APP	DESCRIPTION

DESIGNED BY
D. HOLMAN
 DRAWN BY
J. LOPEZ
 CHECKED BY
G. CAMPBELL
 IN CHARGE
G. CAMPBELL
 DATE
01/29/2021

RECORD SET
PEPD
SUBMITTAL

NOT FOR
CONSTRUCTION

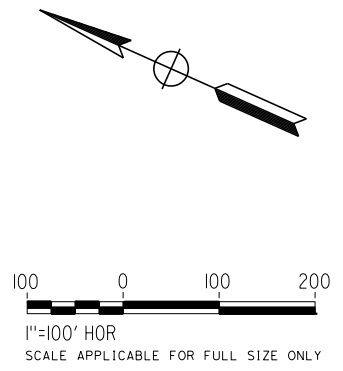
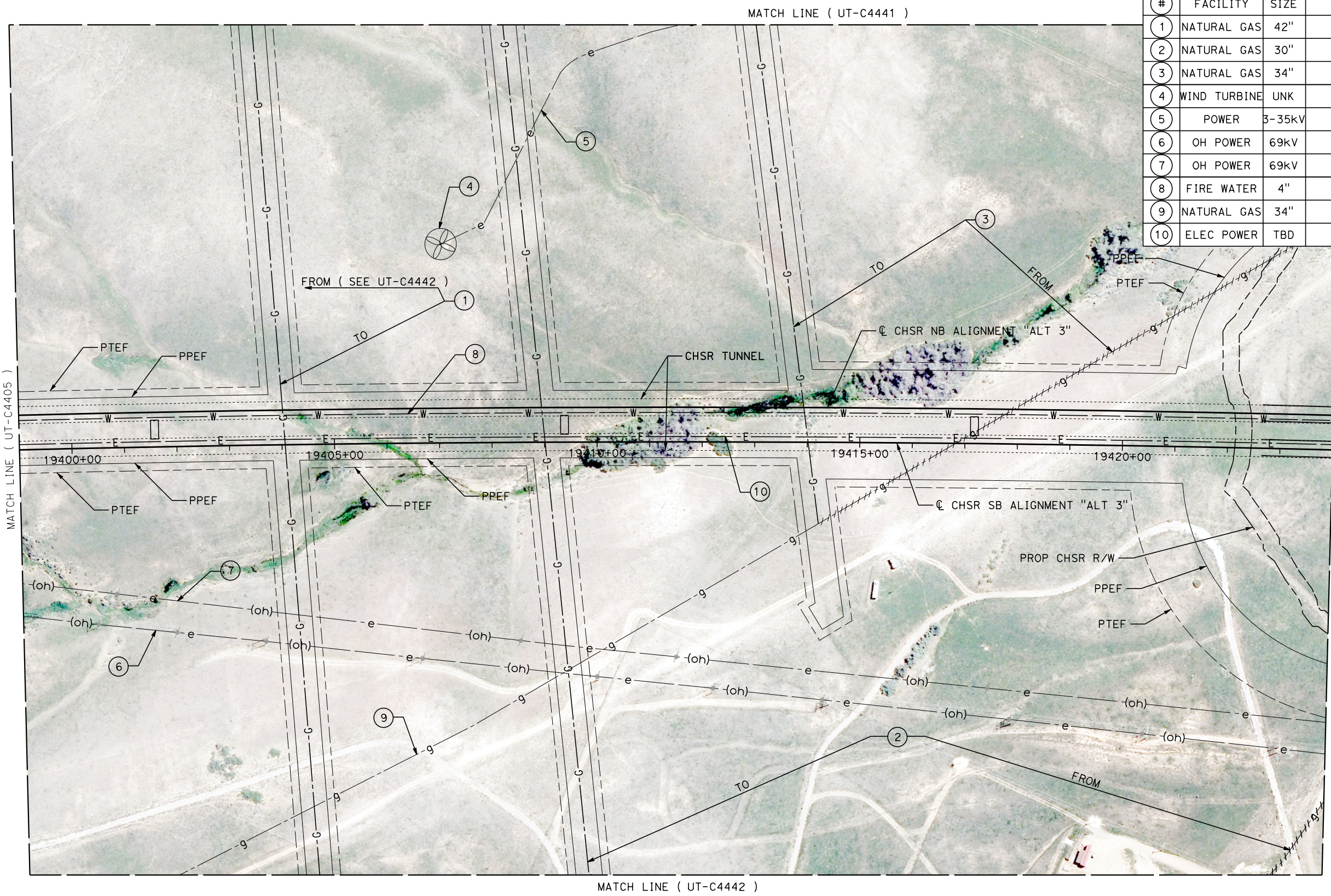


CALIFORNIA HIGH-SPEED RAIL PROJECT
BAKERSFIELD TO PALMDALE
 COMPOSITE UTILITY PLANS
 ALTERNATIVE 3
 STA 19374+00 TO 19399+00

CONTRACT NO.
HSR13-44
 DRAWING NO.
UT-C4405
 SCALE
AS SHOWN
 SHEET NO.
280

1/20/2021 4:41:41 AM
 Projects\701206.00_CHSRBP\00_CADD\Sheet Files\UT\Alt3 (Tehachapi 2)\BP-UT-C4406
 jcs_user_17609

UTILITY INFORMATION				
#	FACILITY	SIZE	OWNER	DISPOSITION
1	NATURAL GAS	42"	MOJAVE/KM	RELOCATE
2	NATURAL GAS	30"	EL PASO/KM	RELOCATE
3	NATURAL GAS	34"	PG&E TRANS	RELOCATE
4	WIND TURBINE	UNK	BROOKFIELD	PROTECT IN PLACE
5	POWER	3-35kV	BROOKFIELD	PROTECT IN PLACE
6	OH POWER	69kV	SCE TRANS	PROTECT IN PLACE
7	OH POWER	69kV	SCE TRANS	PROTECT IN PLACE
8	FIRE WATER	4"	CHSR	NEW
9	NATURAL GAS	34"	PG&E TRANS	PROTECT IN PLACE
10	ELEC POWER	TBD	CHSR	NEW



REV	DATE	BY	CHK	APP	DESCRIPTION

DESIGNED BY
D. HOLMAN
 DRAWN BY
J. LOPEZ
 CHECKED BY
G. CAMPBELL
 IN CHARGE
G. CAMPBELL
 DATE
01/29/2021

RECORD SET
PEPD
SUBMITTAL

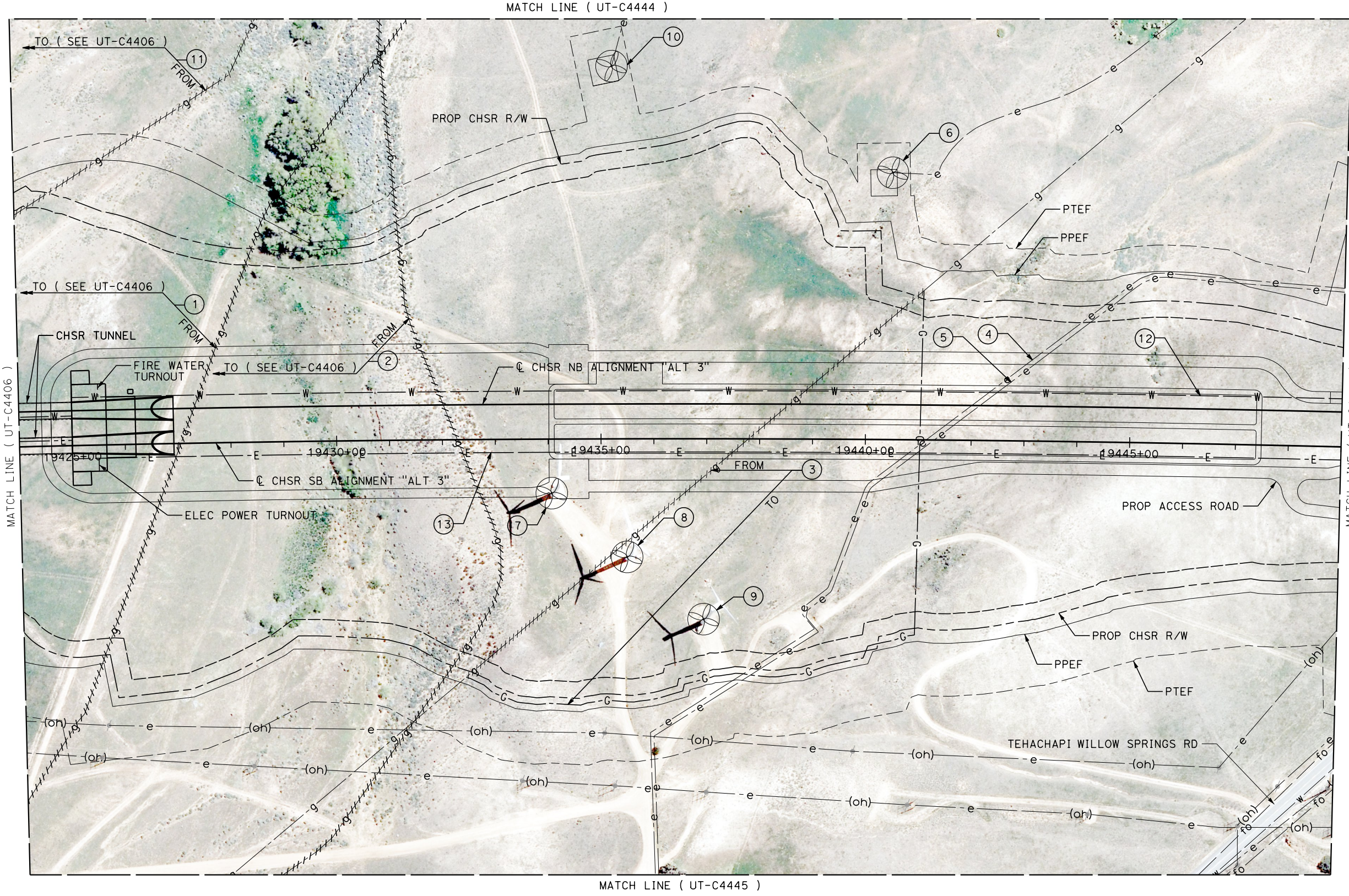
NOT FOR
CONSTRUCTION



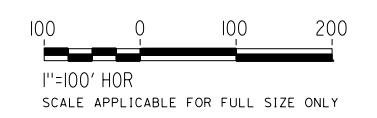
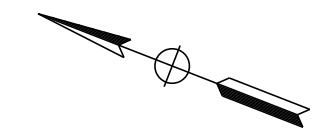
CALIFORNIA HIGH-SPEED RAIL PROJECT
BAKERSFIELD TO PALMDALE
 COMPOSITE UTILITY PLANS
 ALTERNATIVE 3
 STA 19399+00 TO 19424+00

CONTRACT NO.
HSR13-44
 DRAWING NO.
UT-C4406
 SCALE
AS SHOWN
 SHEET NO.
281

1/20/2021 4:38:56 AM Projects\701206.00_CHSRBP\00_CADD\Sheet Files\UT\Alt3 (Tehachapi 2)\BP-UT-C4407



NOTES:
FOR UTILITY INFORMATION TABLE,
REFER TO DWG UT-C4409.



REV	DATE	BY	CHK	APP	DESCRIPTION

DESIGNED BY
D. HOLMAN

DRAWN BY
J. LOPEZ

CHECKED BY
G. CAMPBELL

IN CHARGE
G. CAMPBELL

DATE
01/29/2021

RECORD SET
PEPD
SUBMITTAL

NOT FOR
CONSTRUCTION



CALIFORNIA HIGH-SPEED RAIL PROJECT
BAKERSFIELD TO PALMDALE
COMPOSITE UTILITY PLANS
ALTERNATIVE 3
STA 19424+00 TO 19449+00

CONTRACT NO.
HSR13-44

DRAWING NO.
UT-C4407

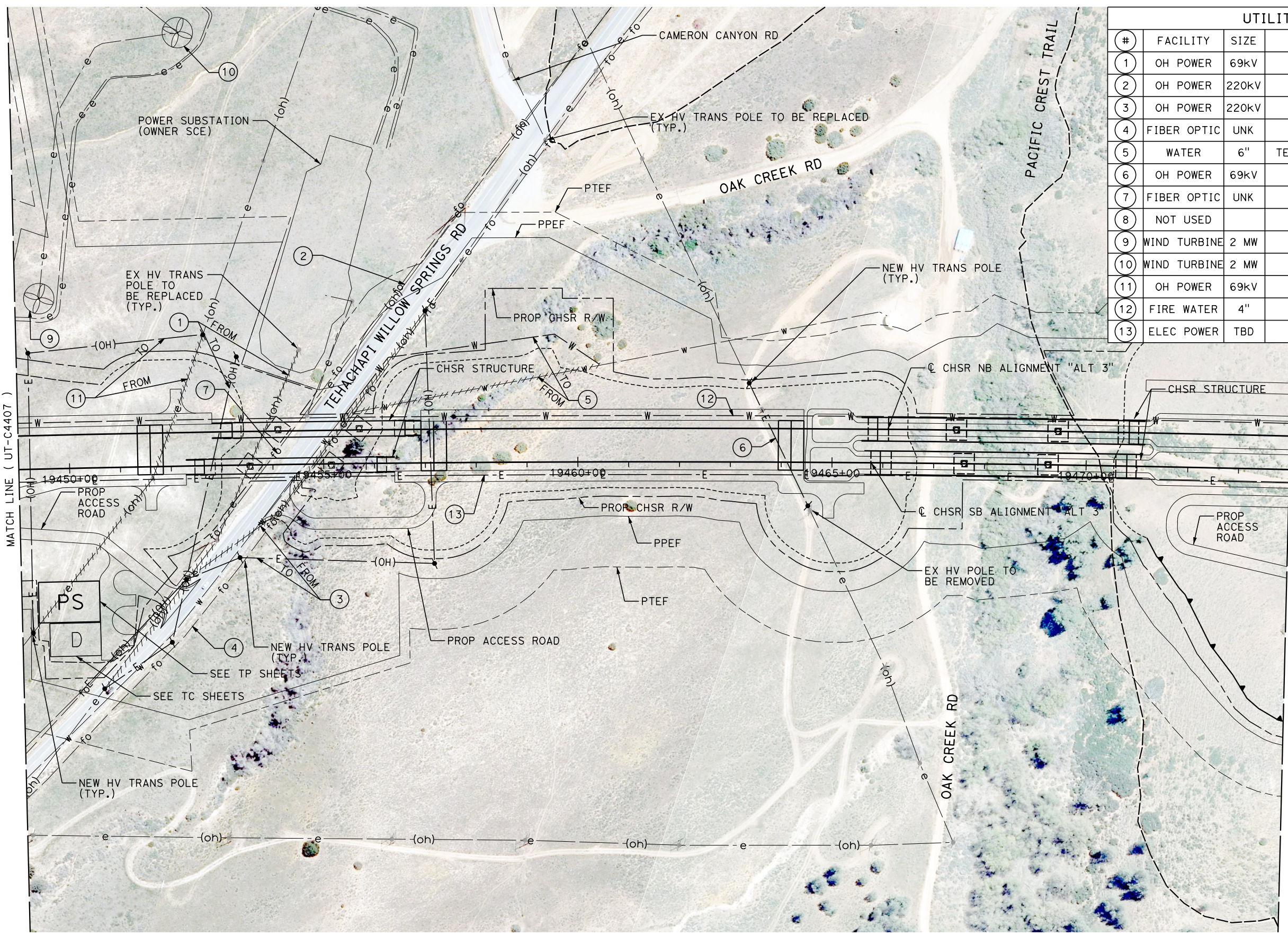
SCALE
AS SHOWN

SHEET NO.
282

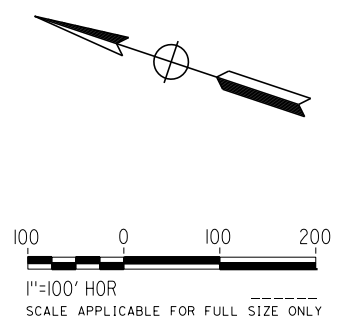
Projects\701206.00_CHSRBP\00_CADD\Sheet Files\UT\1\3 (Tehachapi 2)\BP-UT-C4408

1/20/2021 4:47:30 AM

ics_user_17609



UTILITY INFORMATION				
#	FACILITY	SIZE	OWNER	DISPOSITION
1	OH POWER	69kV	SCE TRANS	RELOCATE
2	OH POWER	220kV	SCE TRANS	RELOCATE
3	OH POWER	220kV	SCE TRANS	RELOCATE
4	FIBER OPTIC	UNK	LEVEL 3	RELOCATE
5	WATER	6"	TEHACHAPI CUMMINGS	RELOCATE
6	OH POWER	69kV	SCE TRANS	RELOCATE
7	FIBER OPTIC	UNK	LEVEL 3	RELOCATE
8	NOT USED			
9	WIND TURBINE	2 MW	BROOKFIELD	RELOCATE
10	WIND TURBINE	2 MW	BROOKFIELD	PROTECT IN PLACE
11	OH POWER	69kV	SCE TRANS	RELOCATE
12	FIRE WATER	4"	CHSR	NEW
13	ELEC POWER	TBD	CHSR	NEW



REV	DATE	BY	CHK	APP	DESCRIPTION

DESIGNED BY
D. HOLMAN
DRAWN BY
J. LOPEZ
CHECKED BY
G. CAMPBELL
IN CHARGE
G. CAMPBELL
DATE
01/29/2021

**RECORD SET
PEPD
SUBMITTAL**

**NOT FOR
CONSTRUCTION**



**CALIFORNIA HIGH-SPEED RAIL PROJECT
BAKERSFIELD TO PALMDALE**
COMPOSITE UTILITY PLANS
ALTERNATIVE 3
STA 19449+00 TO 19474+00

CONTRACT NO.
HSR13-44
DRAWING NO.
UT-C4408
SCALE
AS SHOWN
SHEET NO.
283

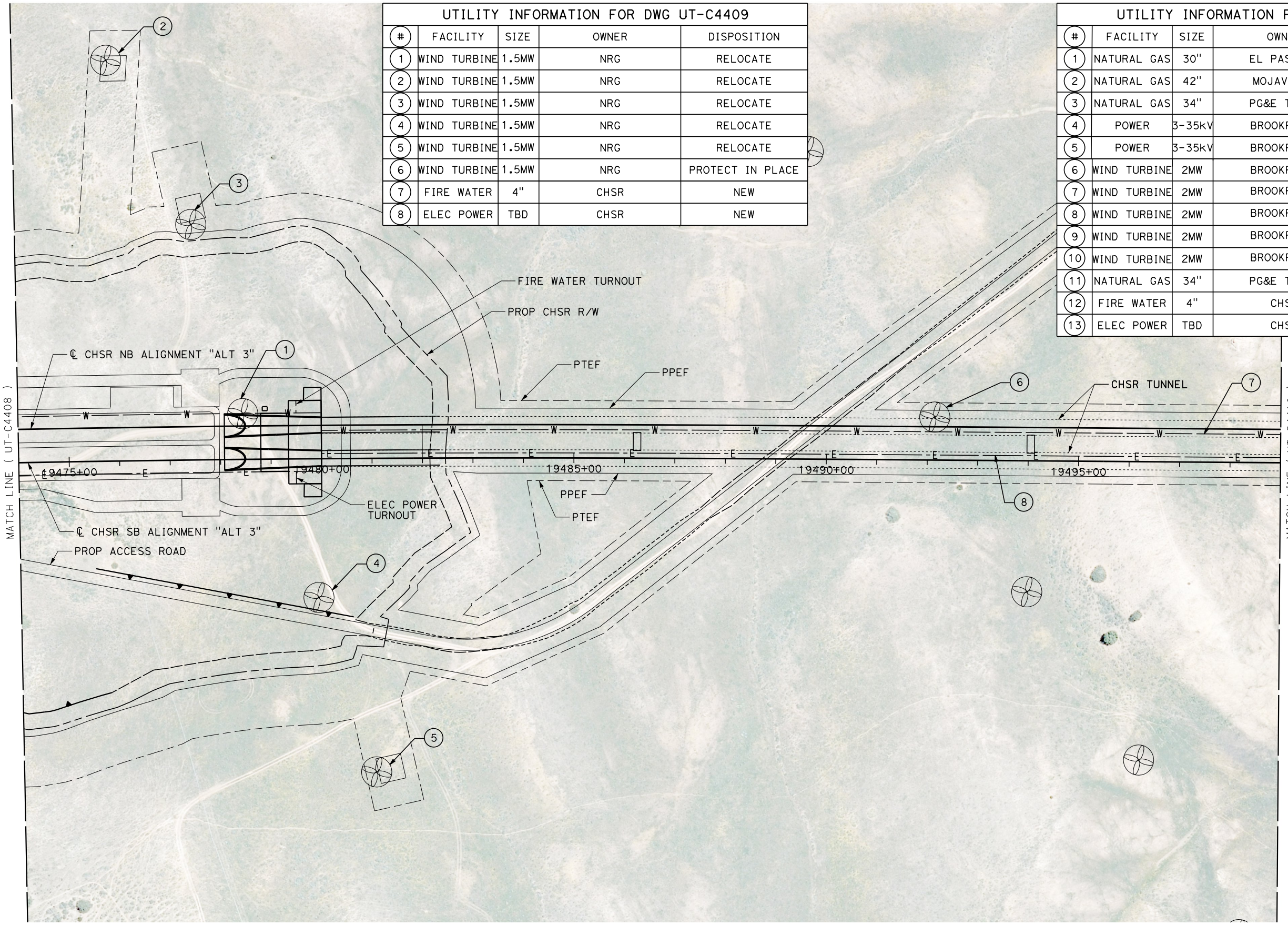
Projects\701206.00_CHSRBP\00_CADD\Sheet_Files\UT\Alt3 (Tenochapi 2)\BP-UT-C4409

1/20/2021 4:39:15 AM

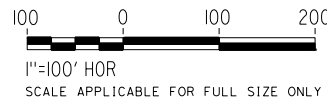
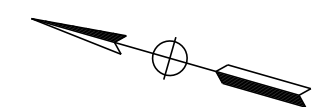
ics_user_17609

UTILITY INFORMATION FOR DWG UT-C4409				
#	FACILITY	SIZE	OWNER	DISPOSITION
1	WIND TURBINE	1.5MW	NRG	RELOCATE
2	WIND TURBINE	1.5MW	NRG	RELOCATE
3	WIND TURBINE	1.5MW	NRG	RELOCATE
4	WIND TURBINE	1.5MW	NRG	RELOCATE
5	WIND TURBINE	1.5MW	NRG	RELOCATE
6	WIND TURBINE	1.5MW	NRG	PROTECT IN PLACE
7	FIRE WATER	4"	CHSR	NEW
8	ELEC POWER	TBD	CHSR	NEW

UTILITY INFORMATION FOR DWG UT-C4407				
#	FACILITY	SIZE	OWNER	DISPOSITION
1	NATURAL GAS	30"	EL PASO/KM	RELOCATE
2	NATURAL GAS	42"	MOJAVE/KM	RELOCATE
3	NATURAL GAS	34"	PG&E TRANS	RELOCATE
4	POWER	3-35kV	BROOKFIELD	RELOCATE
5	POWER	3-35kV	BROOKFIELD	RELOCATE
6	WIND TURBINE	2MW	BROOKFIELD	RELOCATE
7	WIND TURBINE	2MW	BROOKFIELD	RELOCATE
8	WIND TURBINE	2MW	BROOKFIELD	RELOCATE
9	WIND TURBINE	2MW	BROOKFIELD	RELOCATE
10	WIND TURBINE	2MW	BROOKFIELD	RELOCATE
11	NATURAL GAS	34"	PG&E TRANS	RELOCATE
12	FIRE WATER	4"	CHSR	NEW
13	ELEC POWER	TBD	CHSR	NEW



NOTES:
REFER TO DWG UT-C4407 FOR UTILITY INFORMATION TABLE SHOWN ON THIS SHEET.



REV	DATE	BY	CHK	APP	DESCRIPTION

DESIGNED BY
D. HOLMAN
DRAWN BY
J. LOPEZ
CHECKED BY
G. CAMPBELL
IN CHARGE
G. CAMPBELL
DATE
01/29/2021

**RECORD SET
PEPD
SUBMITTAL**

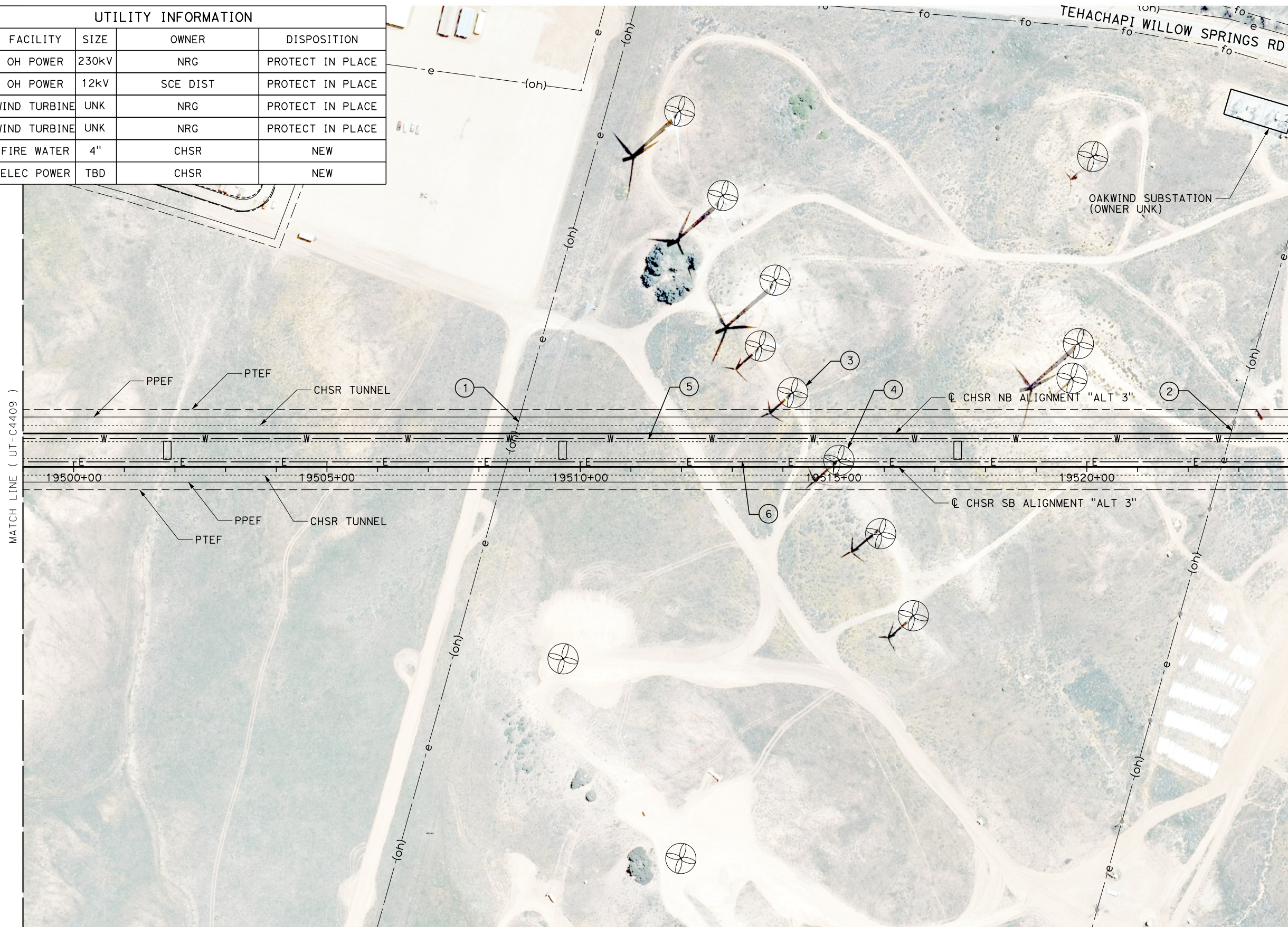
**NOT FOR
CONSTRUCTION**



**CALIFORNIA HIGH-SPEED RAIL PROJECT
BAKERSFIELD TO PALMDALE**
COMPOSITE UTILITY PLANS
ALTERNATIVE 3
STA 19474+00 TO 19499+00

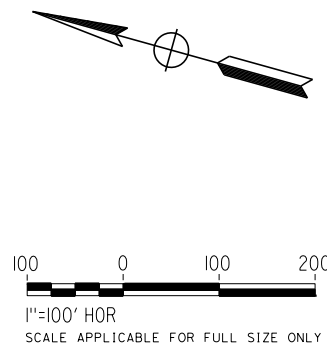
CONTRACT NO.
HSR13-44
DRAWING NO.
UT-C4409
SCALE
AS SHOWN
SHEET NO.
284

UTILITY INFORMATION				
#	FACILITY	SIZE	OWNER	DISPOSITION
1	OH POWER	230KV	NRG	PROTECT IN PLACE
2	OH POWER	12KV	SCE DIST	PROTECT IN PLACE
3	WIND TURBINE	UNK	NRG	PROTECT IN PLACE
4	WIND TURBINE	UNK	NRG	PROTECT IN PLACE
5	FIRE WATER	4"	CHSR	NEW
6	ELEC POWER	TBD	CHSR	NEW



MATCH LINE (UT-C4409)

MATCH LINE (UT-C4411)



1/20/2021 4:52:29 AM Projects\T01206.00_CHSRBP\00_CADD\Sheet_Files\UT-A\1\3 (Tehachapi 2)\BP-UT-C4410

REV	DATE	BY	CHK	APP	DESCRIPTION

DESIGNED BY
D. HOLMAN

DRAWN BY
J. LOPEZ

CHECKED BY
G. CAMPBELL

IN CHARGE
G. CAMPBELL

DATE
01/29/2021

RECORD SET
PEPD
SUBMITTAL

NOT FOR
CONSTRUCTION



CALIFORNIA HIGH-SPEED RAIL PROJECT
BAKERSFIELD TO PALMDALE
COMPOSITE UTILITY PLANS
ALTERNATIVE 3
STA 19499+00 TO 19524+00

CONTRACT NO.
HSR13-44

DRAWING NO.
UT-C4410

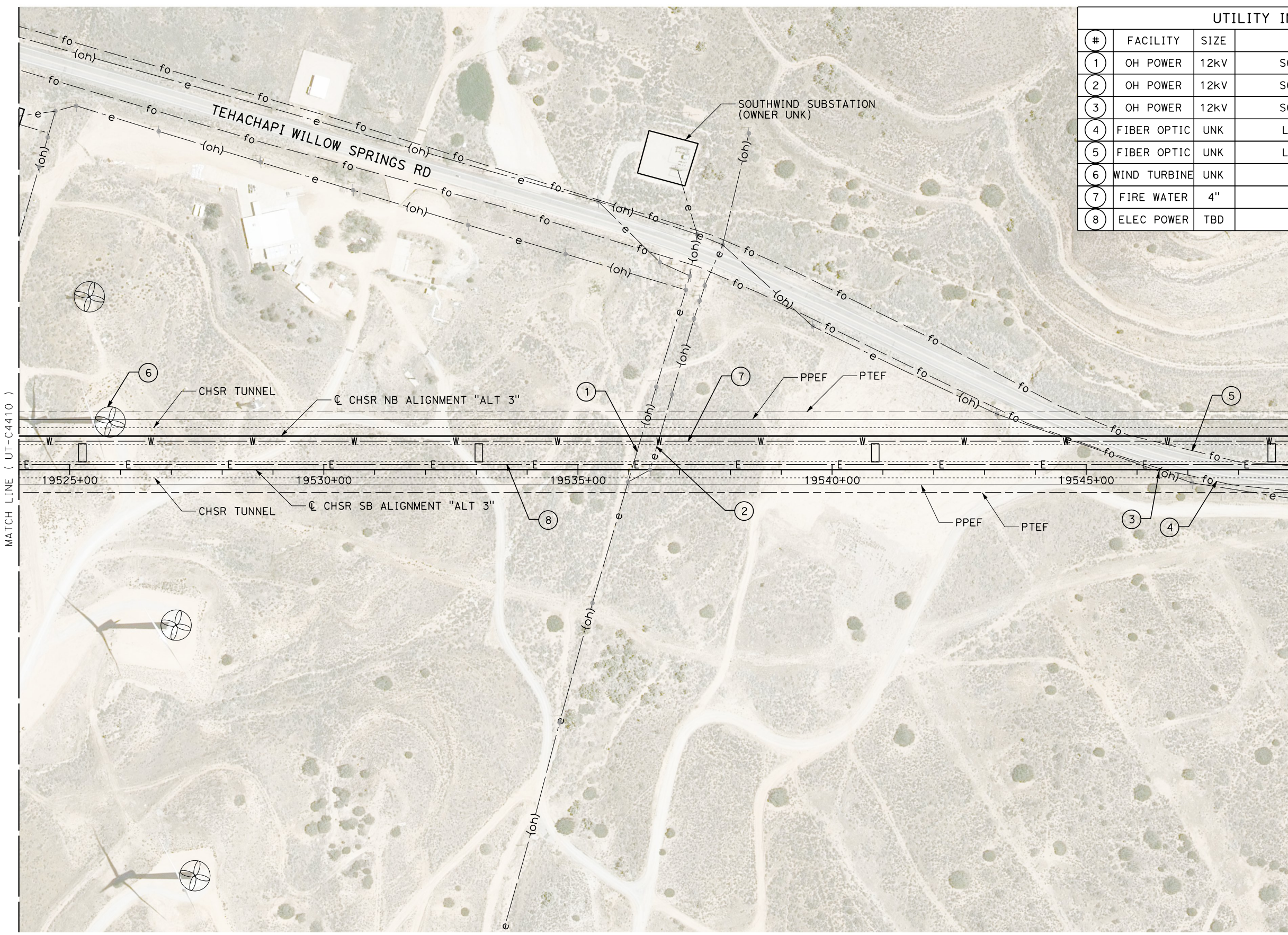
SCALE
AS SHOWN

SHEET NO.
285

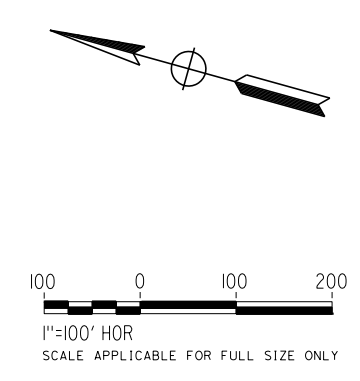
Projects\T01206.00_CHSRBP\00_CADD\Sheet Files\UT\1\3 (Tehachapi 2)\BP-UT-C4411

1/20/2021 4:48:12 AM

ics_user_17609



UTILITY INFORMATION				
#	FACILITY	SIZE	OWNER	DISPOSITION
1	OH POWER	12kV	SCE DIST	PROTECT IN PLACE
2	OH POWER	12kV	SCE DIST	PROTECT IN PLACE
3	OH POWER	12kV	SCE DIST	PROTECT IN PLACE
4	FIBER OPTIC	UNK	LEVEL 3	PROTECT IN PLACE
5	FIBER OPTIC	UNK	LEVEL 3	PROTECT IN PLACE
6	WIND TURBINE	UNK	NRG	PROTECT IN PLACE
7	FIRE WATER	4"	CHSR	NEW
8	ELEC POWER	TBD	CHSR	NEW

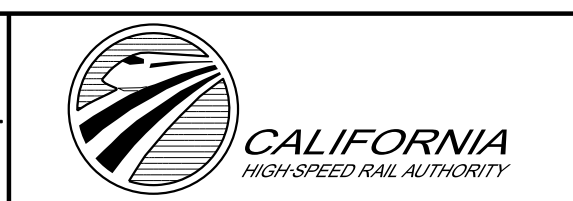


REV	DATE	BY	CHK	APP	DESCRIPTION

DESIGNED BY
D. HOLMAN
DRAWN BY
J. LOPEZ
CHECKED BY
G. CAMPBELL
IN CHARGE
G. CAMPBELL
DATE
01/29/2021

**RECORD SET
PEPD
SUBMITTAL**

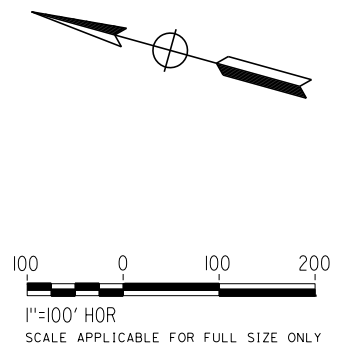
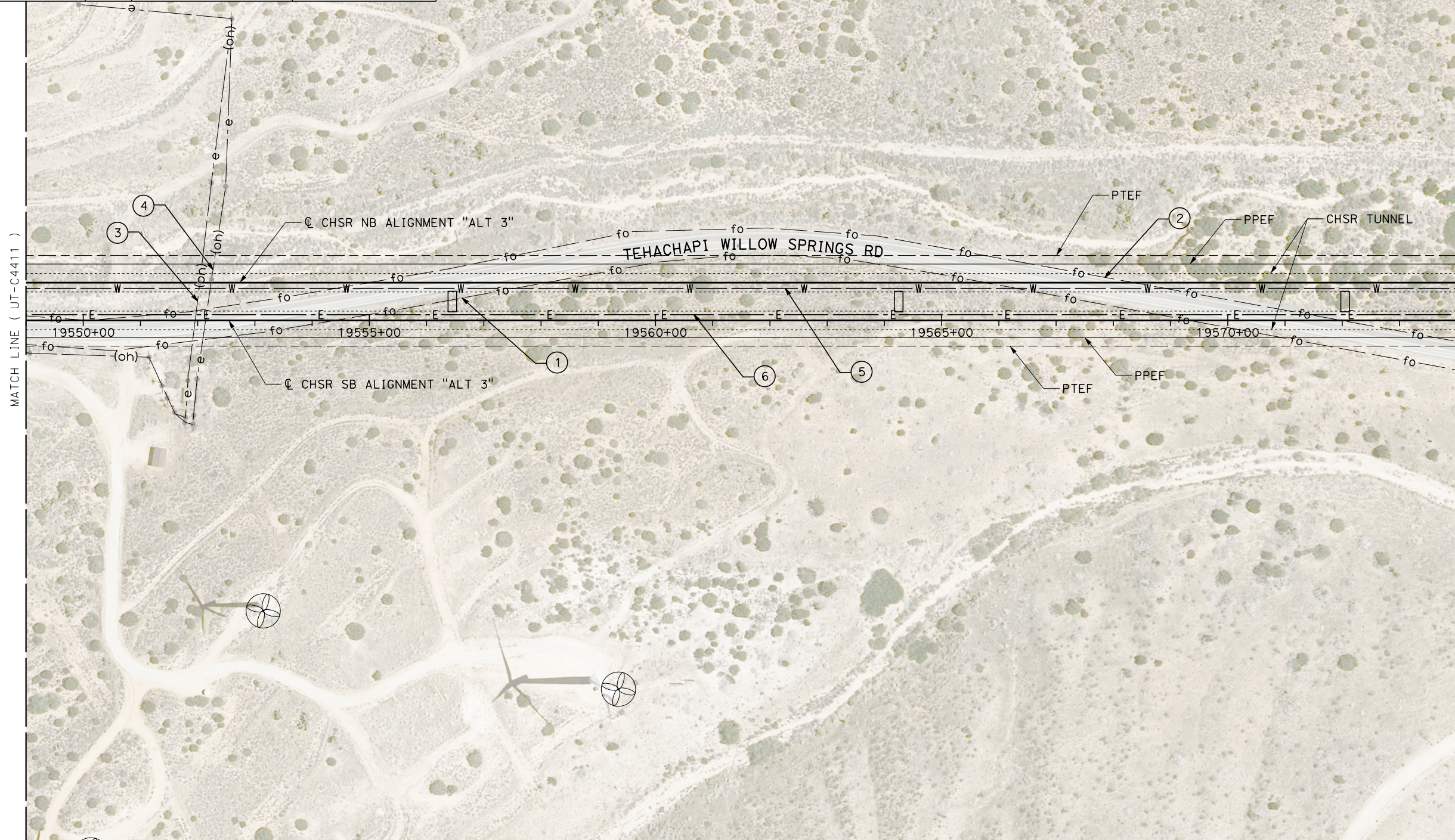
**NOT FOR
CONSTRUCTION**



**CALIFORNIA HIGH-SPEED RAIL PROJECT
BAKERSFIELD TO PALMDALE**
COMPOSITE UTILITY PLANS
ALTERNATIVE 3
STA 19524+00 TO 19549+00

CONTRACT NO.
HSR13-44
DRAWING NO.
UT-C4411
SCALE
AS SHOWN
SHEET NO.
286

UTILITY INFORMATION				
#	FACILITY	SIZE	OWNER	DISPOSITION
1	FIBER OPTIC	UNK	LEVEL 3	PROTECT IN PLACE
2	FIBER OPTIC	UNK	LEVEL 3	PROTECT IN PLACE
3	OH POWER	12KV	SCE DIST	PROTECT IN PLACE
4	OH POWER	12KV	SCE DIST	PROTECT IN PLACE
5	FIRE WATER	4"	CHSR	NEW
6	ELEC POWER	TBD	CHSR	NEW



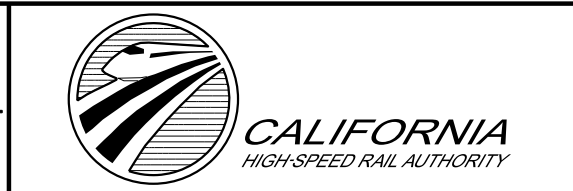
1/20/2021 4:57:39 AM Projects\701206.00_CHSRBP\00_CADD\Sheet Files\UT\A\1\3 (Tehachapi 2)\BP-UT-C4412

REV	DATE	BY	CHK	APP	DESCRIPTION

DESIGNED BY
D. HOLMAN
DRAWN BY
J. LOPEZ
CHECKED BY
G. CAMPBELL
IN CHARGE
G. CAMPBELL
DATE
01/29/2021

RECORD SET
PEPD
SUBMITTAL

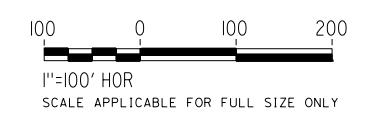
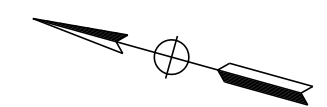
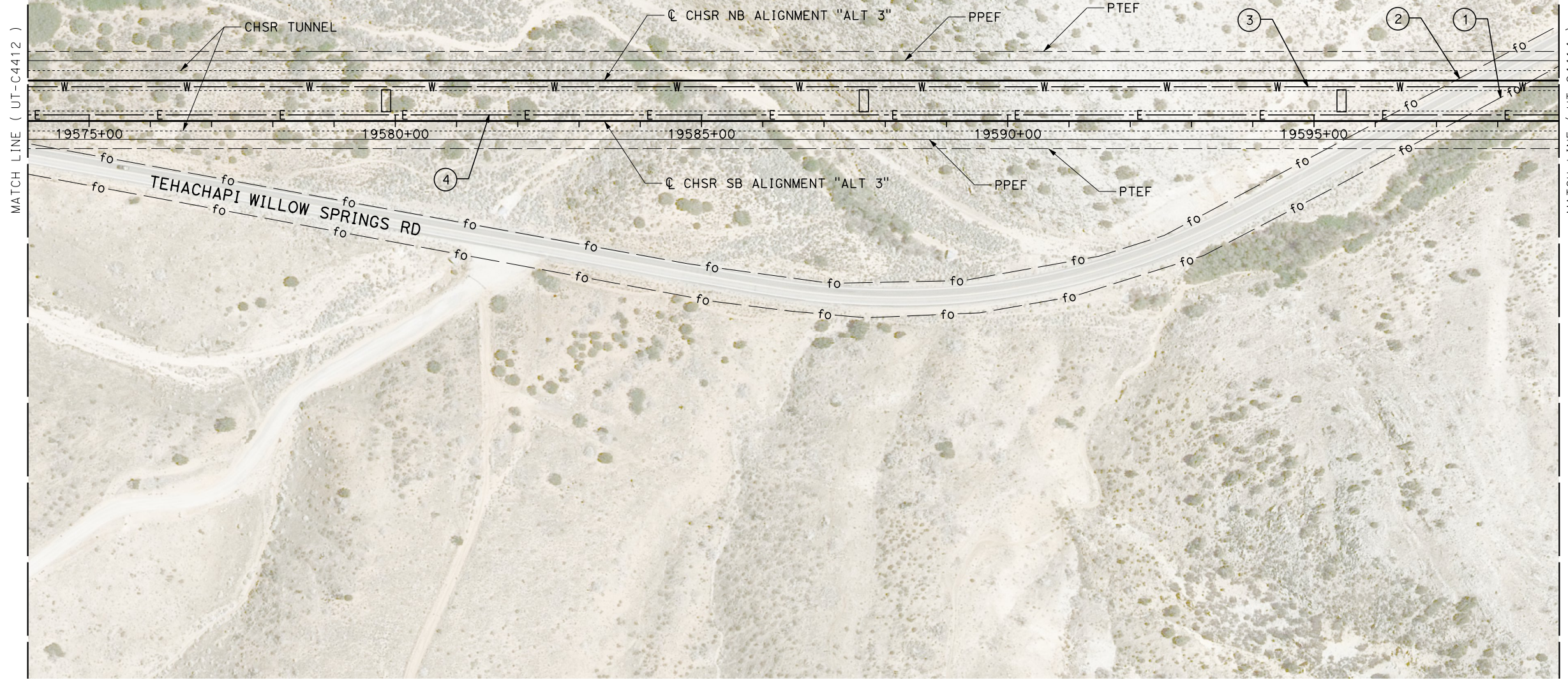
NOT FOR
CONSTRUCTION



CALIFORNIA HIGH-SPEED RAIL PROJECT
BAKERSFIELD TO PALMDALE
COMPOSITE UTILITY PLANS
ALTERNATIVE 3
STA 19549+00 TO 19574+00

CONTRACT NO.
HSR13-44
DRAWING NO.
UT-C4412
SCALE
AS SHOWN
SHEET NO.
287

UTILITY INFORMATION				
#	FACILITY	SIZE	OWNER	DISPOSITION
1	FIBER OPTIC	UNK	LEVEL 3	PROTECT IN PLACE
2	FIBER OPTIC	UNK	LEVEL 3	PROTECT IN PLACE
3	FIRE WATER	4"	CHSR	NEW
4	ELEC POWER	TBD	CHSR	NEW



1/20/2021 4:47:47 AM
 Projects\T01206\00_CHSRBP\00_CADD\Sheet_Files\UT\Alt3 (Tehachapi 2)\BP-UT-C4413
 jcs_user_17609

REV	DATE	BY	CHK	APP	DESCRIPTION

DESIGNED BY
D. HOLMAN
 DRAWN BY
J. LOPEZ
 CHECKED BY
G. CAMPBELL
 IN CHARGE
G. CAMPBELL
 DATE
01/29/2021

RECORD SET
PEPD
SUBMITTAL

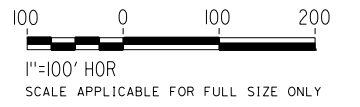
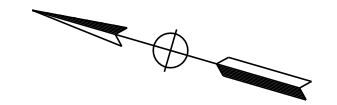
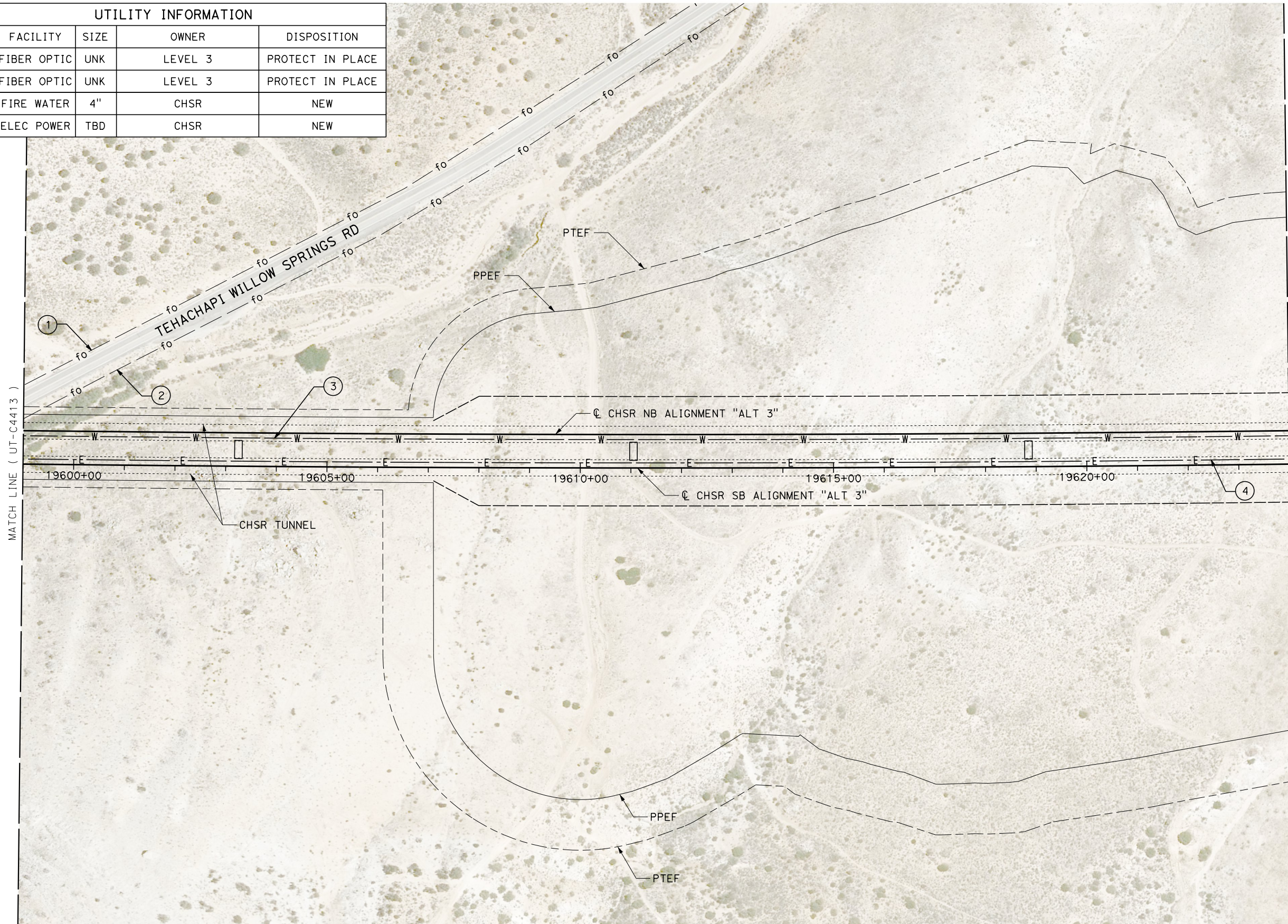
NOT FOR
CONSTRUCTION



CALIFORNIA HIGH-SPEED RAIL PROJECT
BAKERSFIELD TO PALMDALE
 COMPOSITE UTILITY PLANS
 ALTERNATIVE 3
 STA 19574+00 TO 19599+00

CONTRACT NO.
HSR13-44
 DRAWING NO.
UT-C4413
 SCALE
AS SHOWN
 SHEET NO.
288

UTILITY INFORMATION				
#	FACILITY	SIZE	OWNER	DISPOSITION
1	FIBER OPTIC	UNK	LEVEL 3	PROTECT IN PLACE
2	FIBER OPTIC	UNK	LEVEL 3	PROTECT IN PLACE
3	FIRE WATER	4"	CHSR	NEW
4	ELEC POWER	TBD	CHSR	NEW



1/20/2021 4:41:20 AM
 Projects\701206.00_CHSRBP\00_CADD\Sheet Files\UT\Alt3 (Tehachapi 2)\BP-UT-C4414
 jcs_user_17609

REV	DATE	BY	CHK	APP	DESCRIPTION

DESIGNED BY
D. HOLMAN
 DRAWN BY
J. LOPEZ
 CHECKED BY
G. CAMPBELL
 IN CHARGE
G. CAMPBELL
 DATE
01/29/2021

RECORD SET
PEPD
SUBMITTAL

NOT FOR
CONSTRUCTION



CALIFORNIA HIGH-SPEED RAIL PROJECT
BAKERSFIELD TO PALMDALE
 COMPOSITE UTILITY PLANS
 ALTERNATIVE 3
 STA 19599+00 TO 19624+00

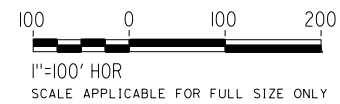
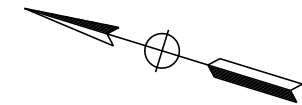
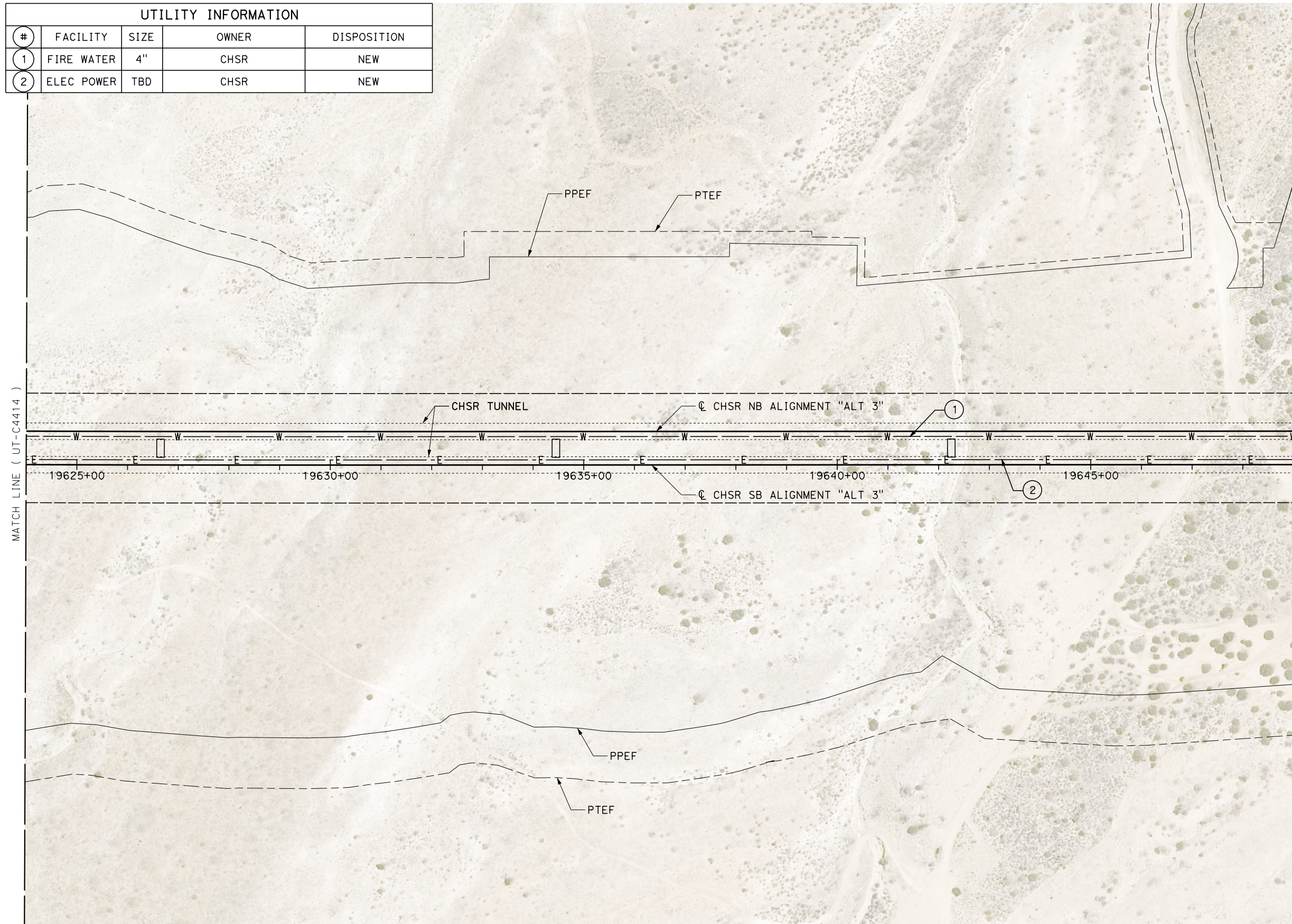
CONTRACT NO.
 HSR13-44
 DRAWING NO.
 UT-C4414
 SCALE
 AS SHOWN
 SHEET NO.
 289

Projects\701206.00_CHSRBP\00_CADD\Sheet Files\UT\Alt3 (Tehachapi 2)\BP-UT-C4415

1/20/2021 4:52:56 AM

ics_user_17609

UTILITY INFORMATION				
#	FACILITY	SIZE	OWNER	DISPOSITION
1	FIRE WATER	4"	CHSR	NEW
2	ELEC POWER	TBD	CHSR	NEW



REV	DATE	BY	CHK	APP	DESCRIPTION

DESIGNED BY
D. HOLMAN
DRAWN BY
J. LOPEZ
CHECKED BY
G. CAMPBELL
IN CHARGE
G. CAMPBELL
DATE
01/29/2021

**RECORD SET
PEPD
SUBMITTAL**

**NOT FOR
CONSTRUCTION**



**CALIFORNIA HIGH-SPEED RAIL PROJECT
BAKERSFIELD TO PALMDALE**
COMPOSITE UTILITY PLANS
ALTERNATIVE 3
STA 19624+00 TO 19649+00

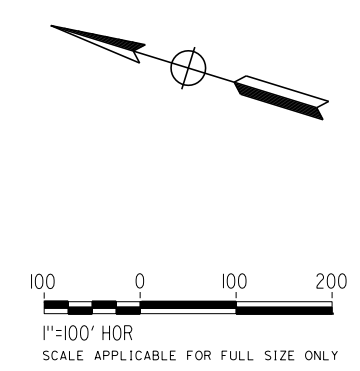
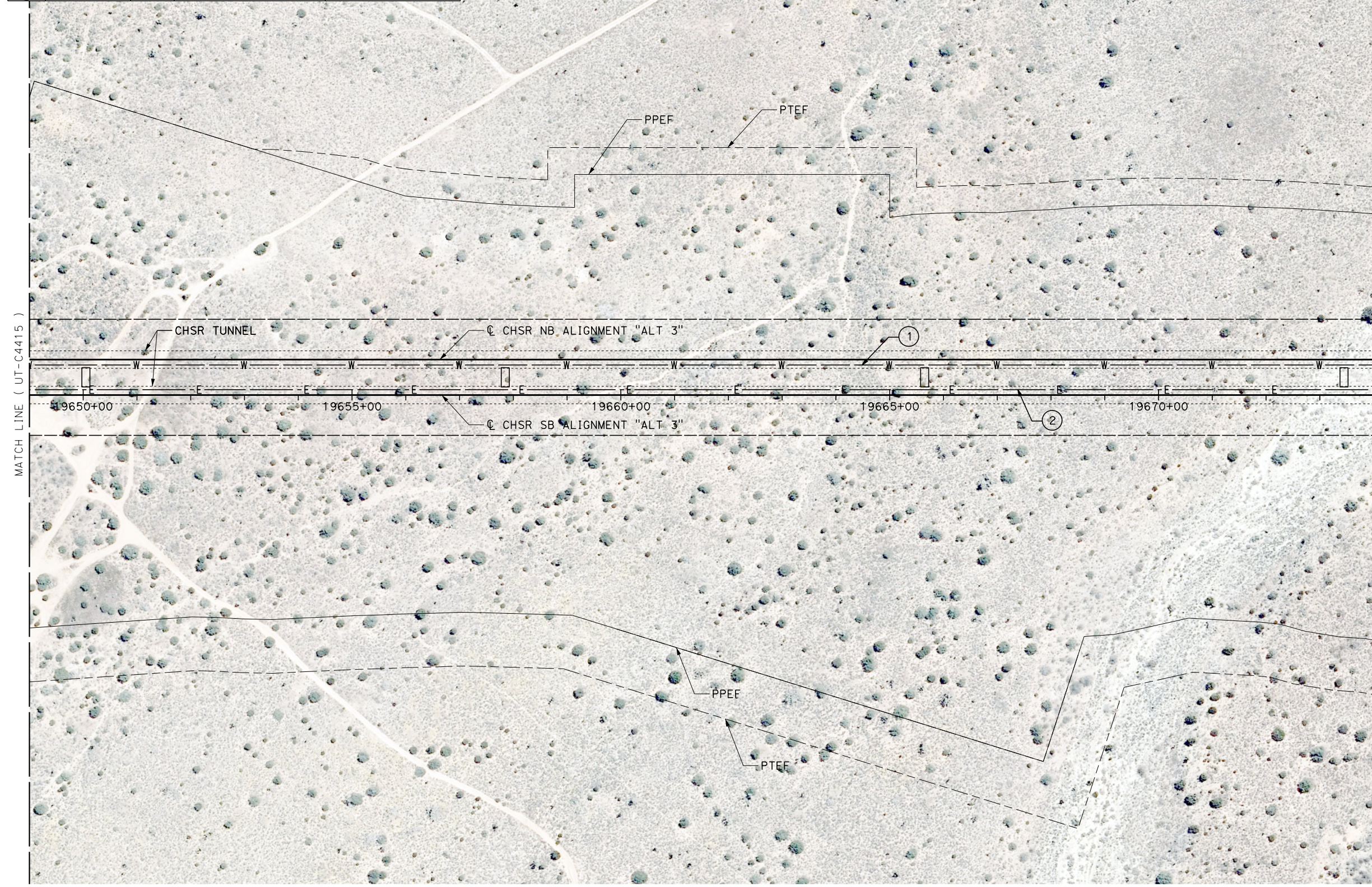
CONTRACT NO.
HSR13-44
DRAWING NO.
UT-C4415
SCALE
AS SHOWN
SHEET NO.
290

Projects\701206.00_CHSRBP\00_CADD\Sheet Files\UT\AI\13 (Tenachopi 2)\BP-UT-C4416

1/20/2021 4:47:00 AM

ics_user_17609

UTILITY INFORMATION				
#	FACILITY	SIZE	OWNER	DISPOSITION
1	FIRE WATER	4"	CHSR	NEW
2	ELEC POWER	TBD	CHSR	NEW



REV	DATE	BY	CHK	APP	DESCRIPTION

DESIGNED BY
D. HOLMAN
DRAWN BY
J. LOPEZ
CHECKED BY
G. CAMPBELL
IN CHARGE
G. CAMPBELL
DATE
01/29/2021

**RECORD SET
PEPD
SUBMITTAL**

**NOT FOR
CONSTRUCTION**



**CALIFORNIA HIGH-SPEED RAIL PROJECT
BAKERSFIELD TO PALMDALE**
COMPOSITE UTILITY PLANS
ALTERNATIVE 3
STA 19649+00 TO 19674+00

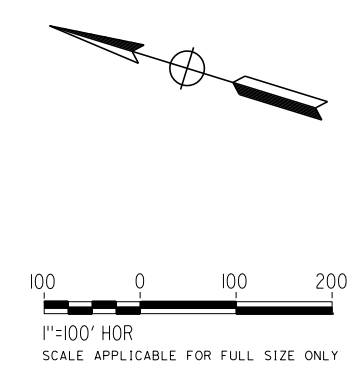
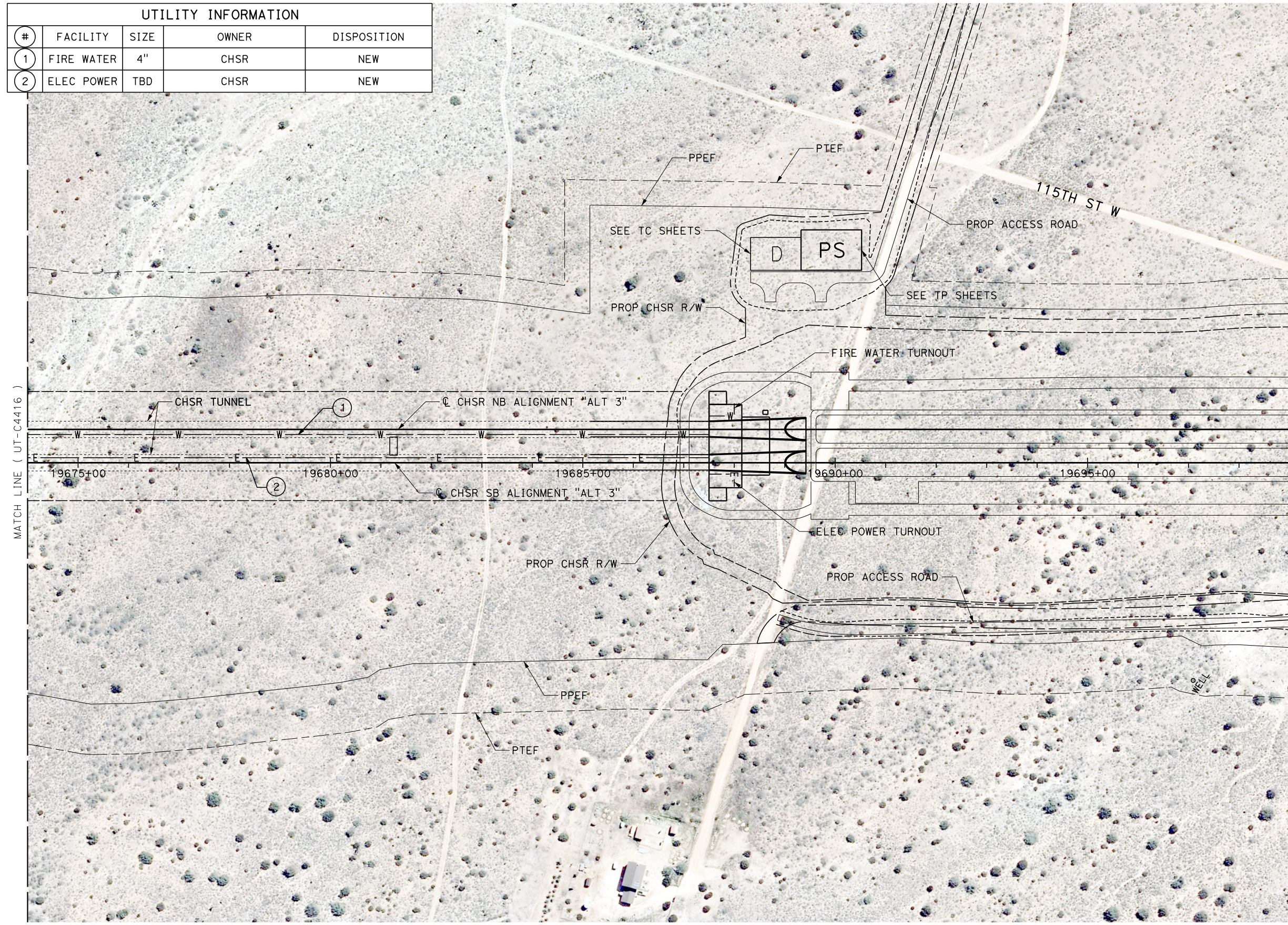
CONTRACT NO.
HSR13-44
DRAWING NO.
UT-C4416
SCALE
AS SHOWN
SHEET NO.
291

Projects\701206.00_CHSRBP\00_CADD\Sheet Files\UT\AI\3 (Tenachopi 2)\BP-UT-C4417

1/20/2021 4:42:29 AM

ics_user_17609

UTILITY INFORMATION				
#	FACILITY	SIZE	OWNER	DISPOSITION
1	FIRE WATER	4"	CHSR	NEW
2	ELEC POWER	TBD	CHSR	NEW



REV	DATE	BY	CHK	APP	DESCRIPTION

DESIGNED BY
D. HOLMAN
DRAWN BY
J. LOPEZ
CHECKED BY
G. CAMPBELL
IN CHARGE
G. CAMPBELL
DATE
01/29/2021

**RECORD SET
PEPD
SUBMITTAL**

**NOT FOR
CONSTRUCTION**



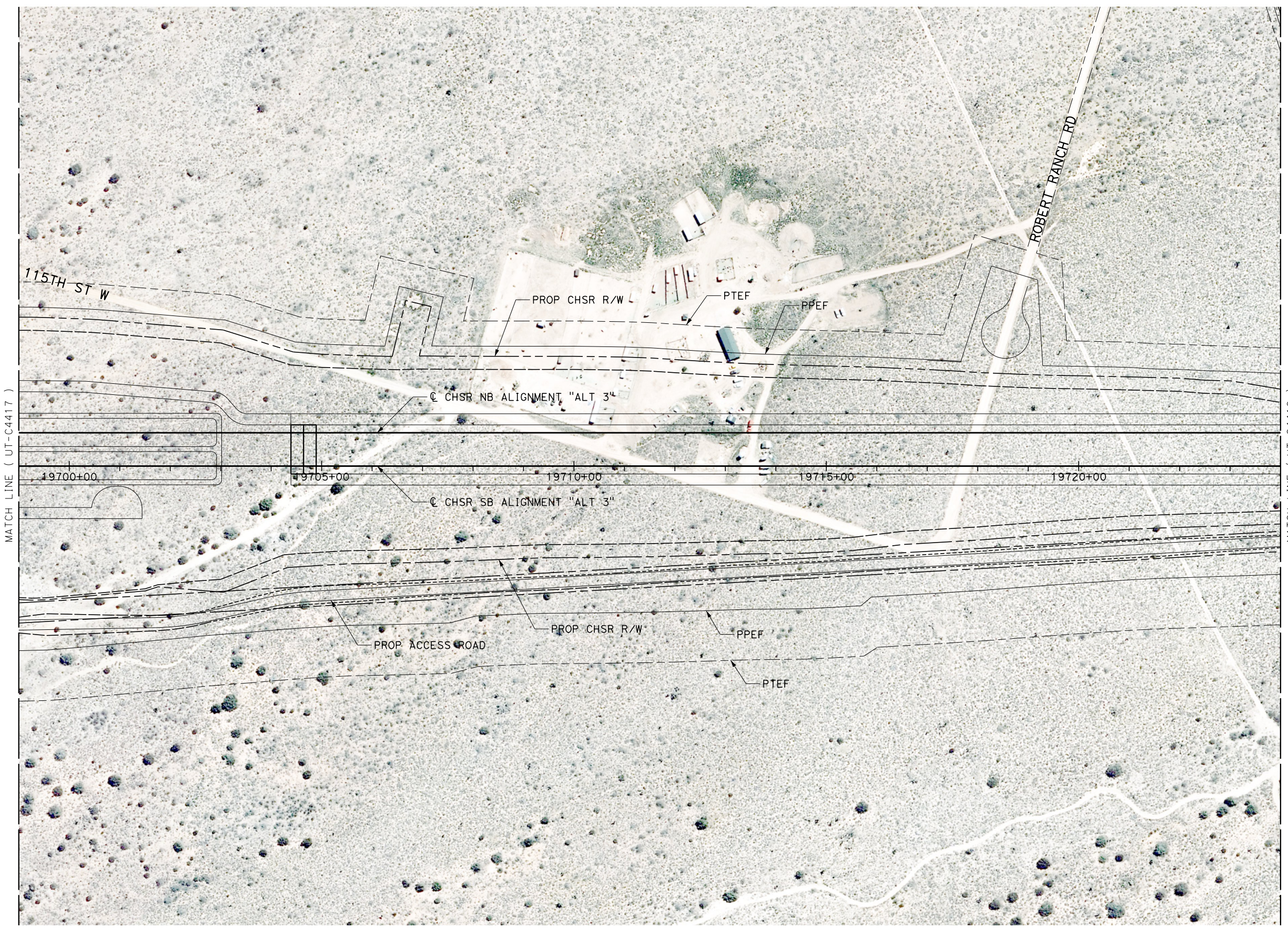
**CALIFORNIA HIGH-SPEED RAIL PROJECT
BAKERSFIELD TO PALMDALE**
COMPOSITE UTILITY PLANS
ALTERNATIVE 3
STA 19674+00 TO 19699+00

CONTRACT NO.
HSR13-44
DRAWING NO.
UT-C4417
SCALE
AS SHOWN
SHEET NO.
292

Projects\701206.00_CHSRBP\00_CADD\Sheet Files\UT\Alt3 (Tenochapi 2)\BP-UT-C4418

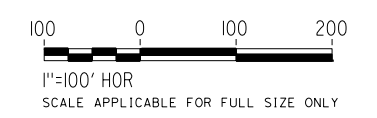
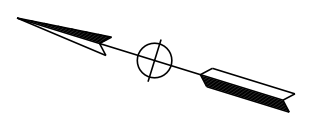
1/20/2021 4:39:37 AM

ics_user_17609



MATCH LINE (UT-C4417)

MATCH LINE (UT-C4419)



REV	DATE	BY	CHK	APP	DESCRIPTION

DESIGNED BY
D. HOLMAN
DRAWN BY
J. LOPEZ
CHECKED BY
G. CAMPBELL
IN CHARGE
G. CAMPBELL
DATE
01/29/2021

RECORD SET
PEPD
SUBMITTAL

NOT FOR
CONSTRUCTION



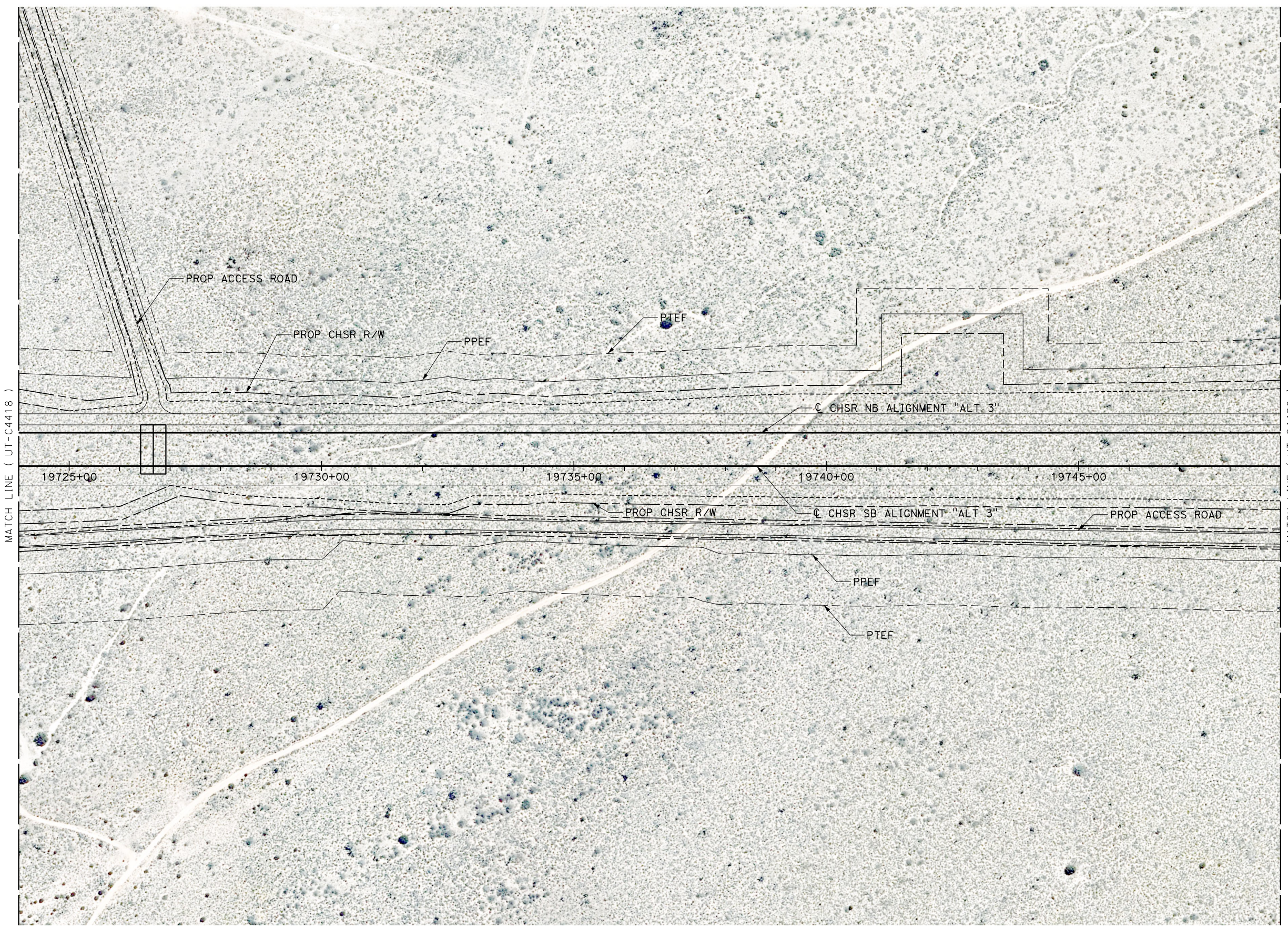
CALIFORNIA HIGH-SPEED RAIL PROJECT
BAKERSFIELD TO PALMDALE
COMPOSITE UTILITY PLANS
ALTERNATIVE 3
STA 19699+00 TO 19724+00

CONTRACT NO.
HSR13-44
DRAWING NO.
UT-C4418
SCALE
AS SHOWN
SHEET NO.
293

Projects\701206.00_CHSRBP\00_CADD\Sheet Files\UT\Alt3 (Tenochapi 2)\BP-UT-C4419

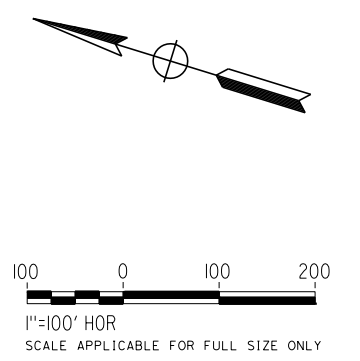
1/20/2021 4:53:22 AM

ics_user_17609



MATCH LINE (UT-C4418)

MATCH LINE (UT-C4420)



REV	DATE	BY	CHK	APP	DESCRIPTION

DESIGNED BY
D. HOLMAN
DRAWN BY
J. LOPEZ
CHECKED BY
G. CAMPBELL
IN CHARGE
G. CAMPBELL
DATE
01/29/2021

RECORD SET
PEPD
SUBMITTAL

NOT FOR
CONSTRUCTION



CALIFORNIA HIGH-SPEED RAIL PROJECT
BAKERSFIELD TO PALMDALE
COMPOSITE UTILITY PLANS
ALTERNATIVE 3
STA 19724+00 TO 19749+00

CONTRACT NO.
HSR13-44
DRAWING NO.
UT-C4419
SCALE
AS SHOWN
SHEET NO.
294