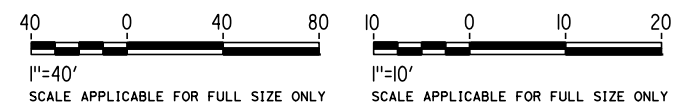
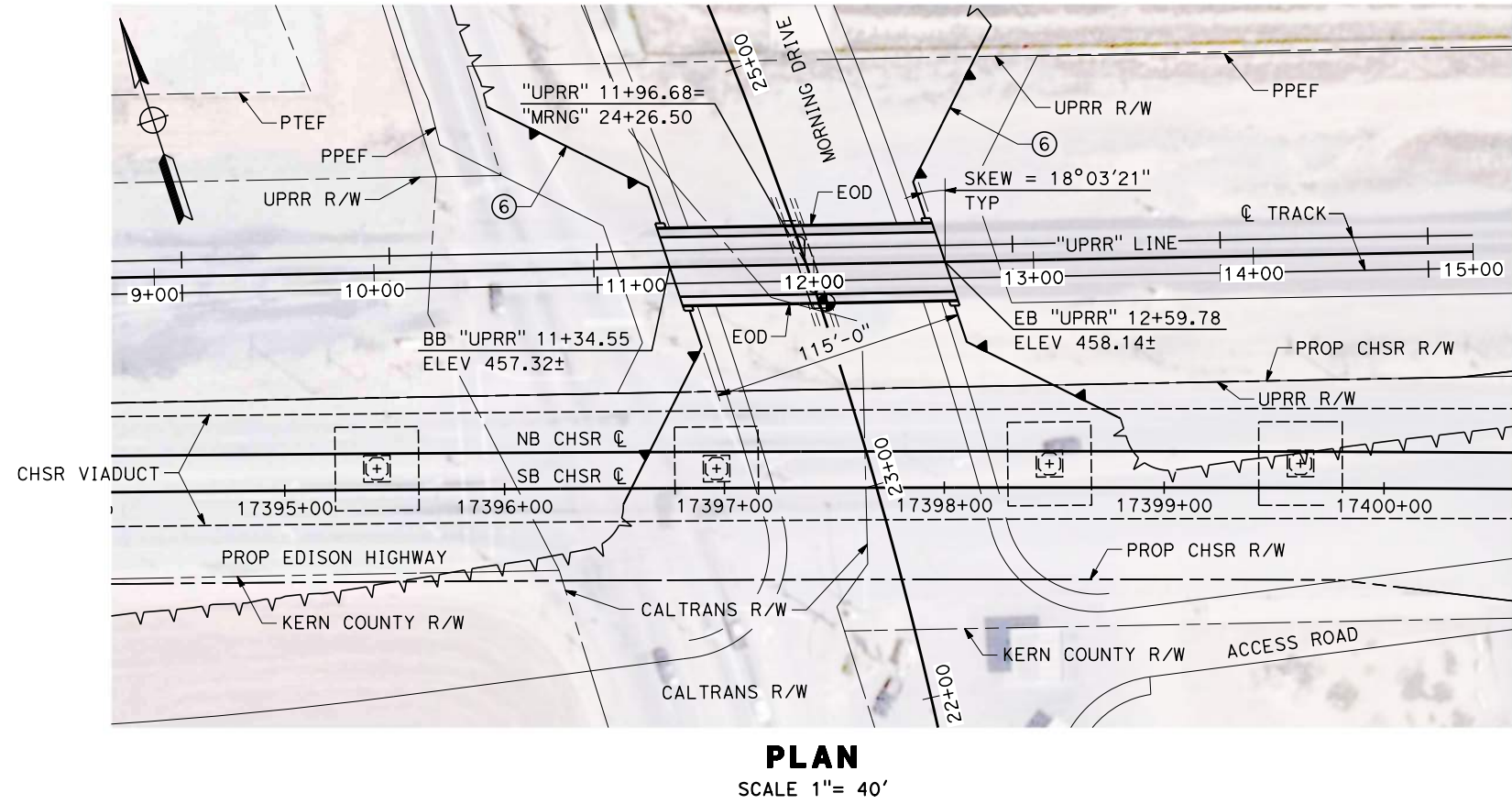
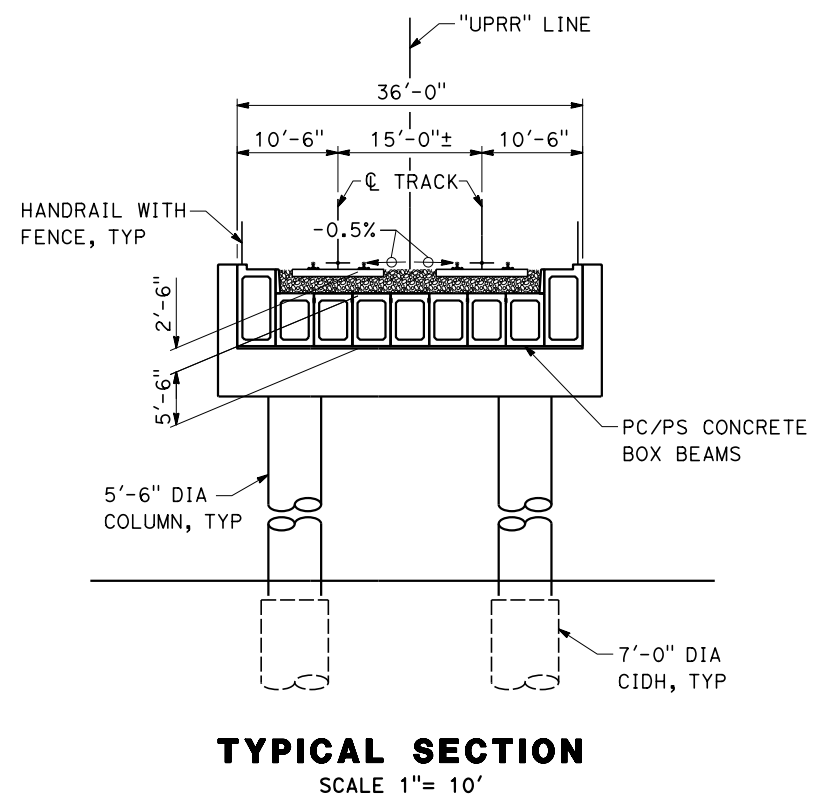
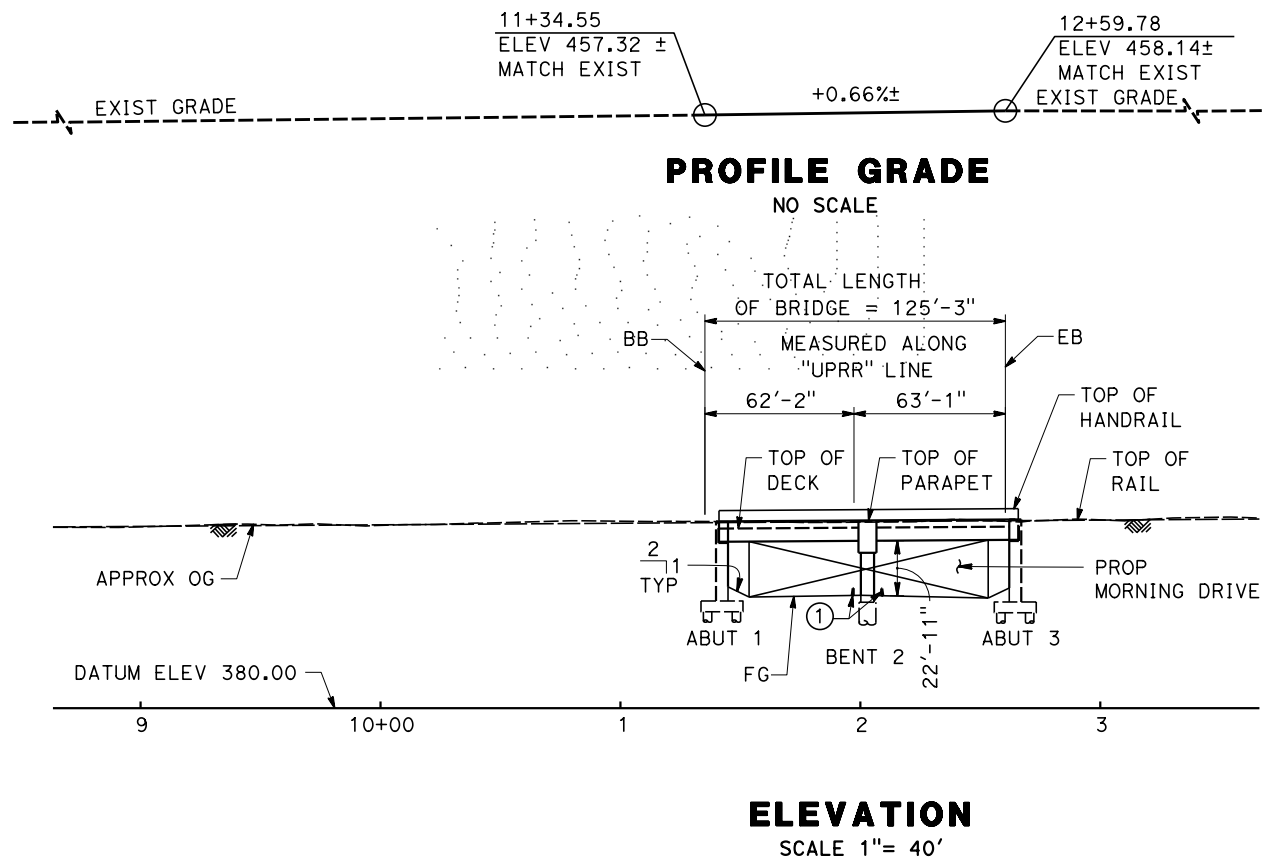


Projects\701206_00_CHSRBP\00_CADD\Sheet_Files\ST\BP-ST-K1002

3:19:49 AM

1/21/2021

ics_user_17609

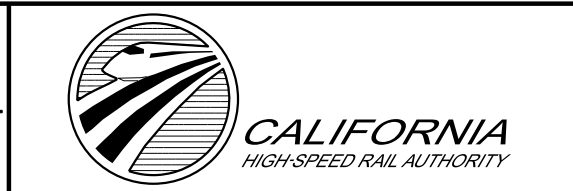


REV	DATE	BY	CHK	APP	DESCRIPTION

DESIGNED BY
R. BARTON
DRAWN BY
B. MOZAFFARIAN
CHECKED BY
D. KASAWDISH
IN CHARGE
G. CAMPBELL
DATE
01/29/2021

**RECORD SET
PEPD
SUBMITTAL**

**NOT FOR
CONSTRUCTION**

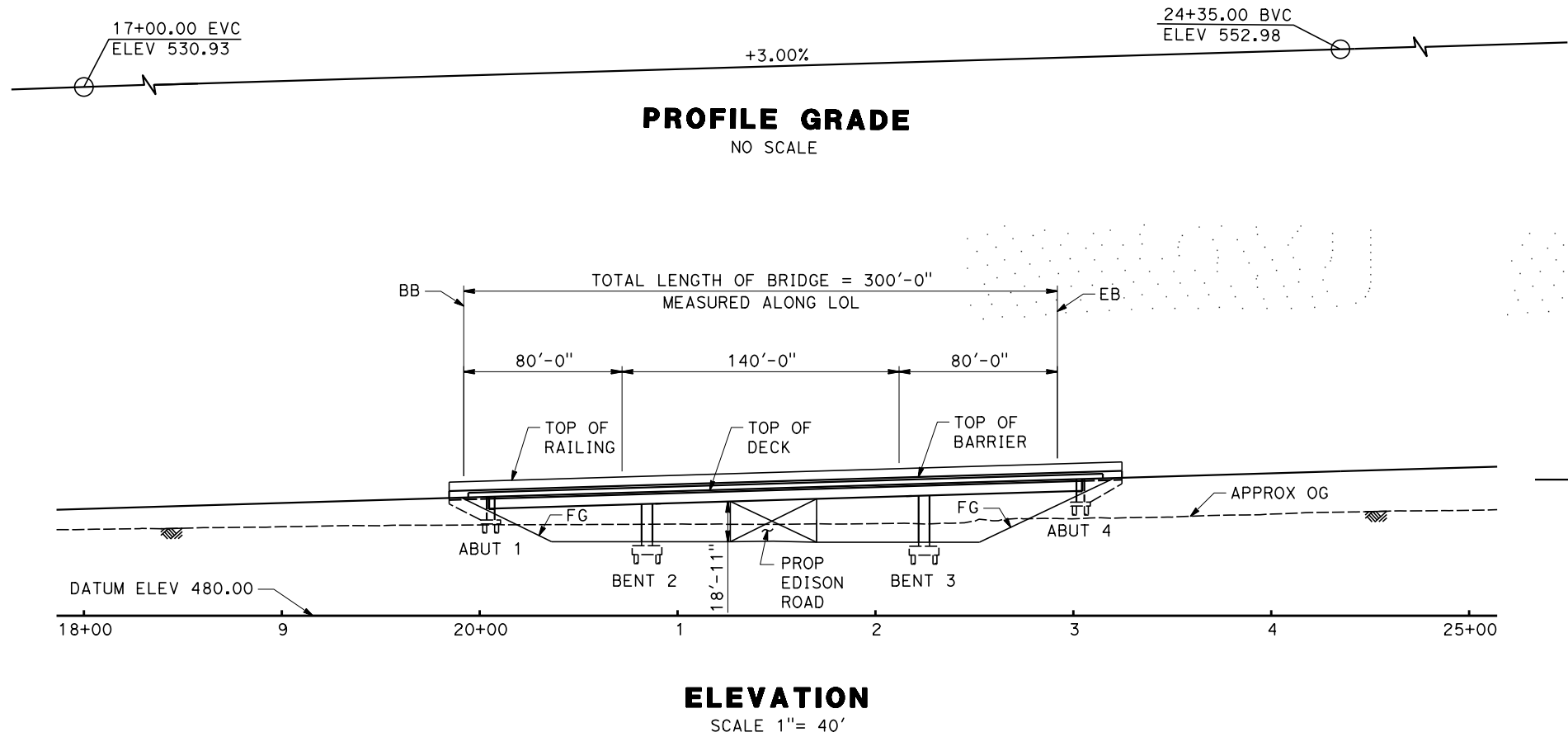


**CALIFORNIA HIGH-SPEED RAIL PROJECT
BAKERSFIELD TO PALMDALE**

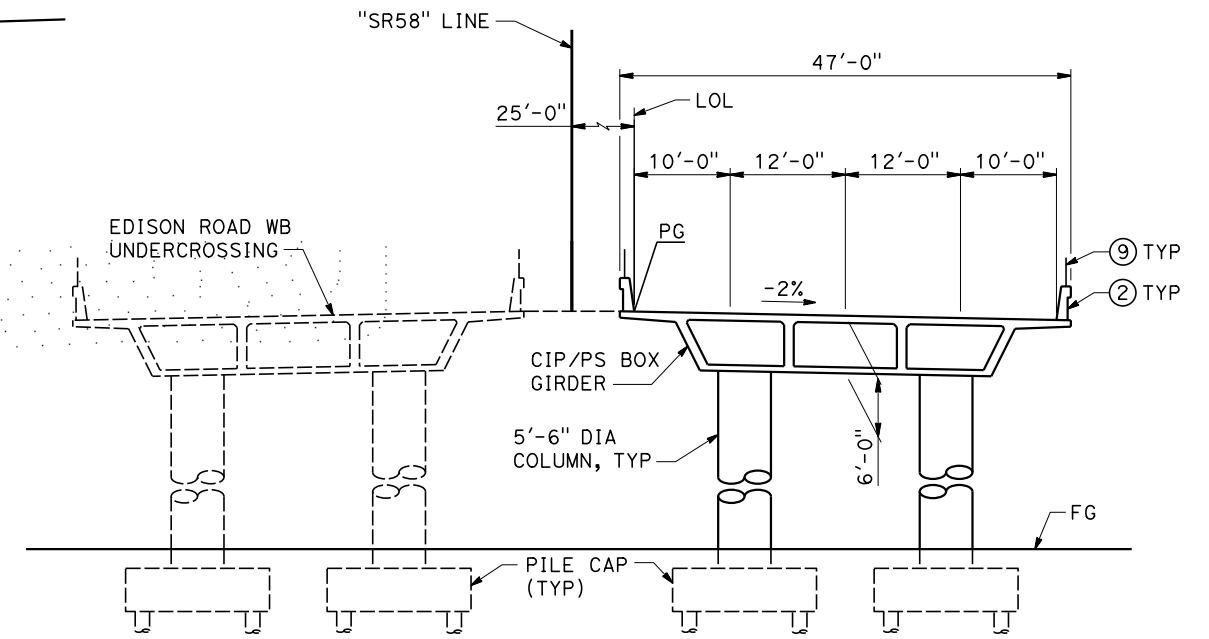
ALTERNATIVES 1,2,3,5
ROADWAY STRUCTURES
MORNING DRIVE UNDERPASS
PLAN AND ELEVATION

CONTRACT NO.
HSR13-44
DRAWING NO.
ST-K1002
SCALE
AS SHOWN
SHEET NO.
173

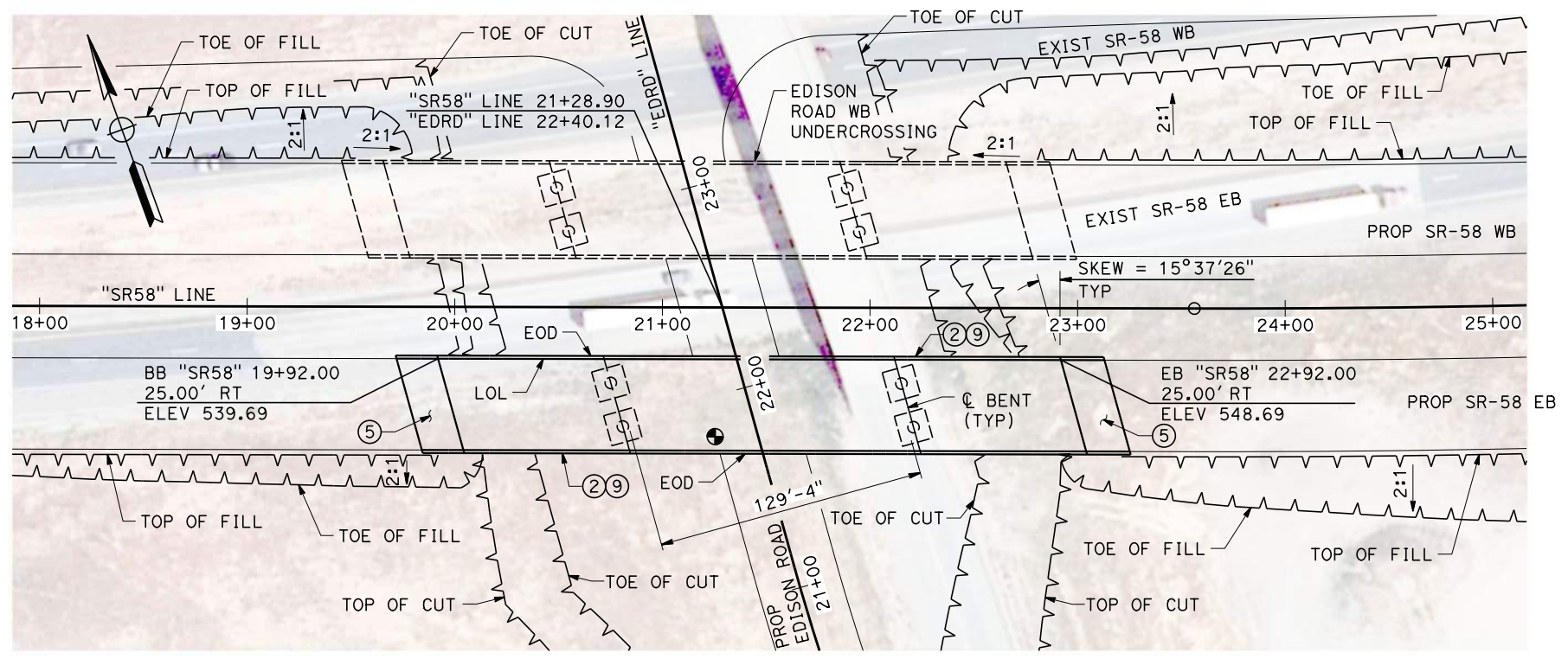
Projects\701206_00_CHSRBP\00_CADD\Sheet_Files\ST\BP-ST-K1003
 3:17:52 AM
 1/21/2021
 jcs_user_17609



ELEVATION
SCALE 1" = 40'



TYPICAL SECTION
SCALE 1" = 10'



PLAN
SCALE 1" = 40'



REV	DATE	BY	CHK	APP	DESCRIPTION

DESIGNED BY
R. BARTON
 DRAWN BY
B. MOZAFFARIAN
 CHECKED BY
D. KASAWDISH
 IN CHARGE
G. CAMPBELL
 DATE
01/29/2021

RECORD SET
PEPD
SUBMITTAL

NOT FOR
CONSTRUCTION



CALIFORNIA HIGH-SPEED RAIL PROJECT
BAKERSFIELD TO PALMDALE
 ALTERNATIVES 1,3,5
 ROADWAY STRUCTURES
 EDISON ROAD EB UNDERCROSSING
 PLAN AND ELEVATION

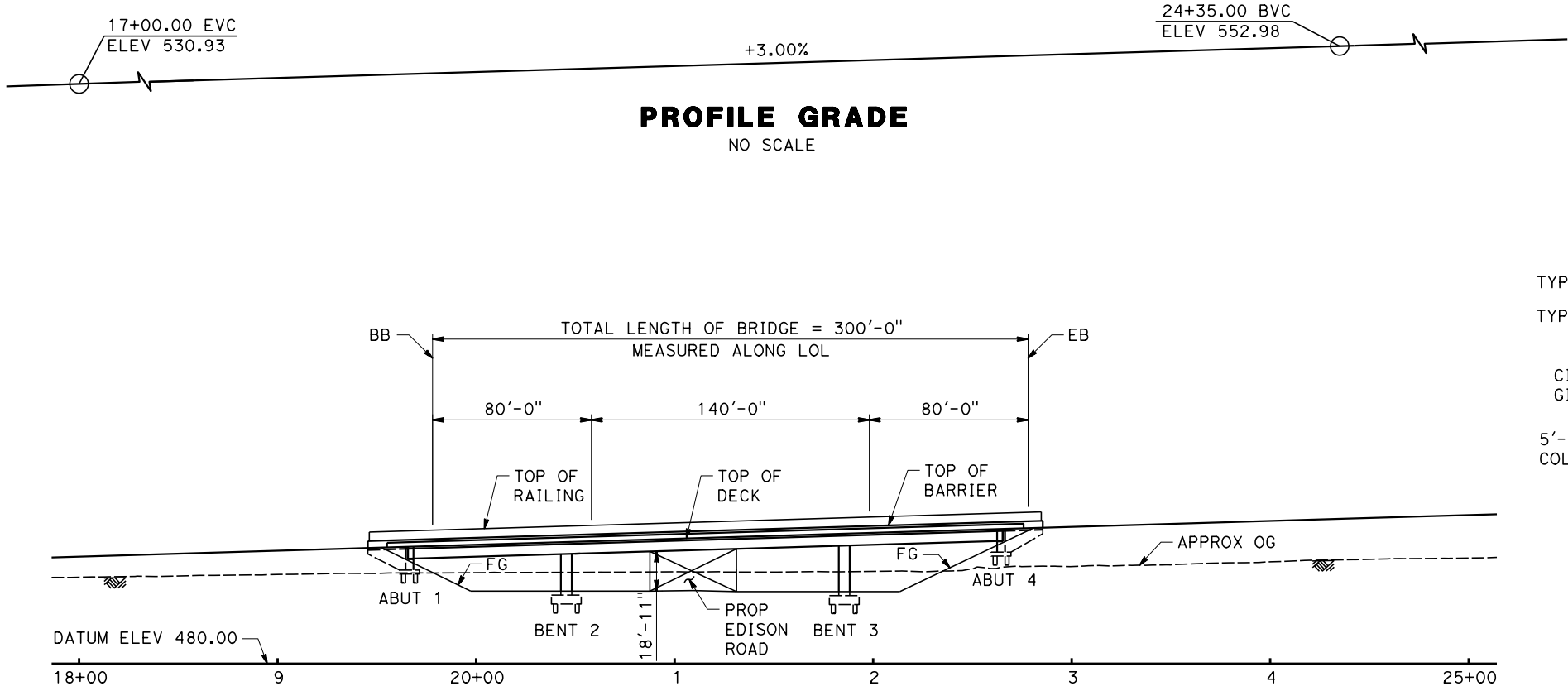
CONTRACT NO.
HSR13-44
 DRAWING NO.
ST-K1003
 SCALE
AS SHOWN
 SHEET NO.
174

Projects\701206_00_CHSRBP\00_CADD\Sheet Files\ST\BP-ST-K1004

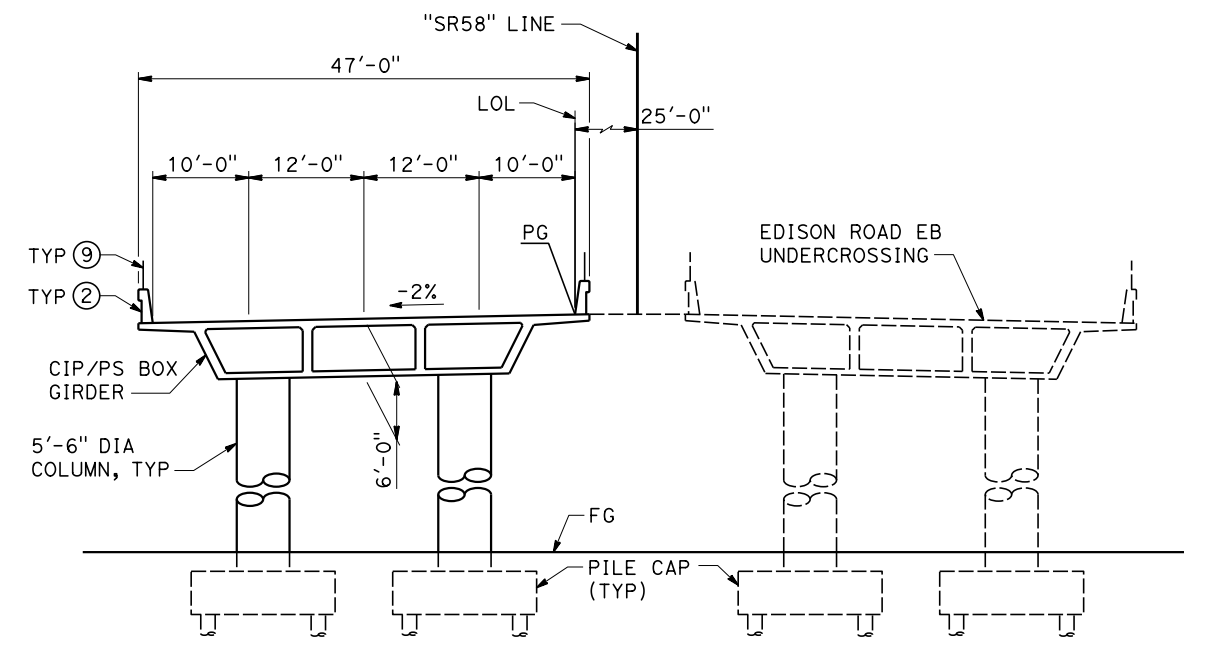
3:18:27 AM

1/21/2021

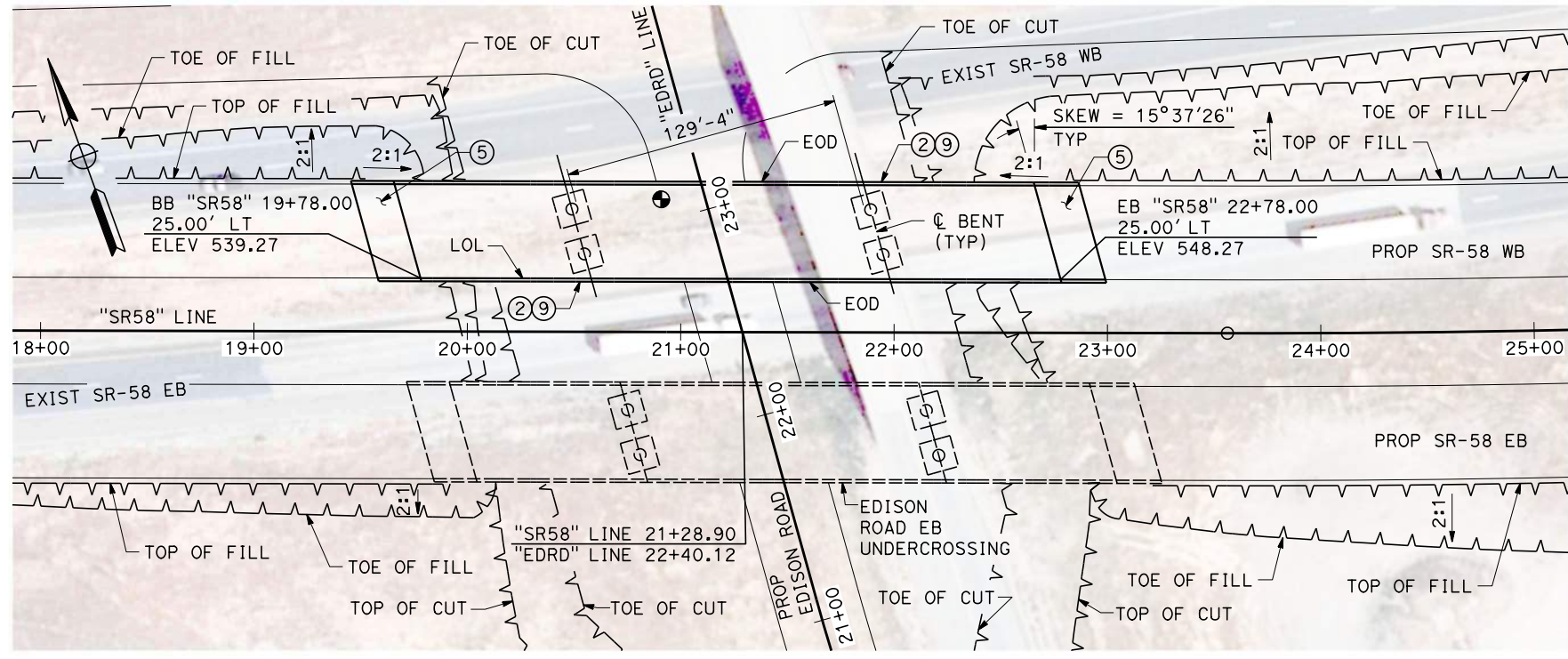
ics_user_17609



MIRRORED ELEVATION
SCALE 1" = 40'



TYPICAL SECTION
SCALE 1" = 10'



PLAN
SCALE 1" = 40'



REV	DATE	BY	CHK	APP	DESCRIPTION

DESIGNED BY
R. BARTON
DRAWN BY
B. MOZAFFARIAN
CHECKED BY
D. KASAWDISH
IN CHARGE
G. CAMPBELL
DATE
01/29/2021

RECORD SET
PEPD
SUBMITTAL

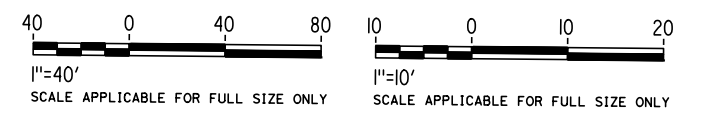
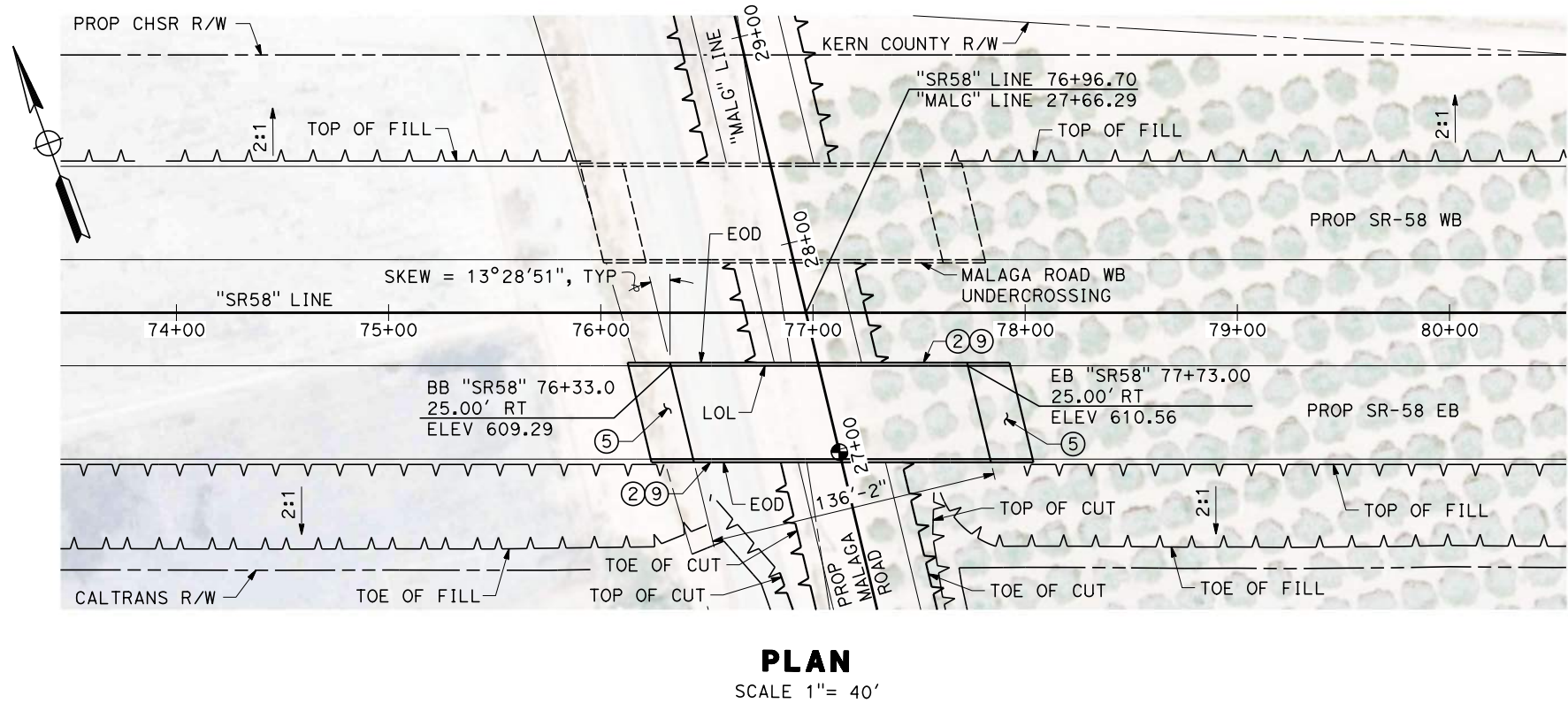
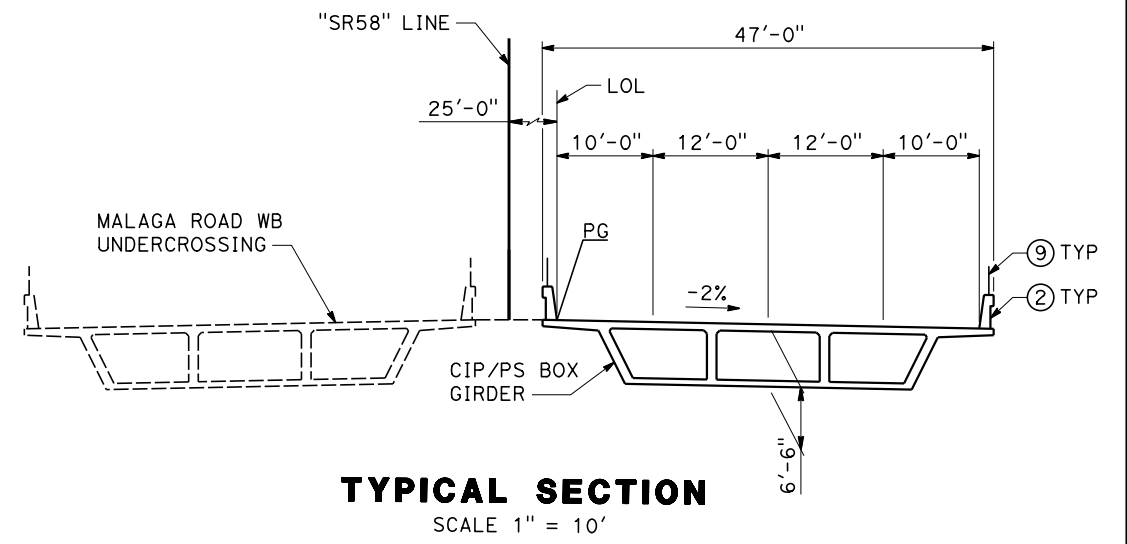
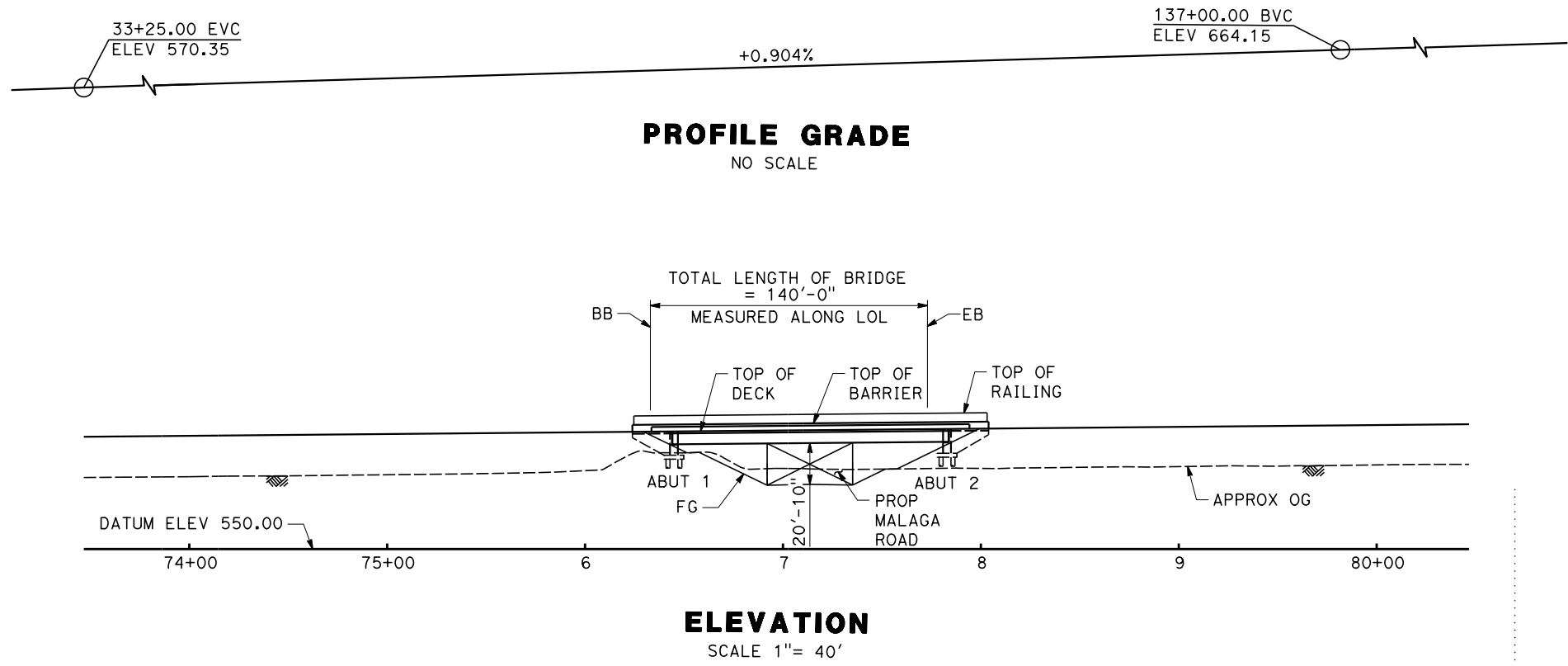
NOT FOR
CONSTRUCTION



CALIFORNIA HIGH-SPEED RAIL PROJECT
BAKERSFIELD TO PALMDALE
ALTERNATIVES 1,3,5
ROADWAY STRUCTURES
EDISON ROAD WB UNDERCROSSING
PLAN AND ELEVATION

CONTRACT NO.
HSR13-44
DRAWING NO.
ST-K1004
SCALE
AS SHOWN
SHEET NO.
175

Projects\701206_00_CHSRBP\00_CADD\Sheet_Files\ST\BP-ST-K1005
1/21/2021 3:16:13 AM
ics_user_17609



REV	DATE	BY	CHK	APP	DESCRIPTION

DESIGNED BY
R. BARTON

DRAWN BY
B. MOZAFFARIAN

CHECKED BY
D. KASAWDISH

IN CHARGE
G. CAMPBELL

DATE
01/29/2021

RECORD SET
PEPD
SUBMITTAL

NOT FOR
CONSTRUCTION



CALIFORNIA HIGH-SPEED RAIL PROJECT
BAKERSFIELD TO PALMDALE
ALTERNATIVES 1,3,5
ROADWAY STRUCTURES
MALAGA ROAD EB UNDERCROSSING
PLAN AND ELEVATION

CONTRACT NO.
HSR13-44

DRAWING NO.
ST-K1005

SCALE
AS SHOWN

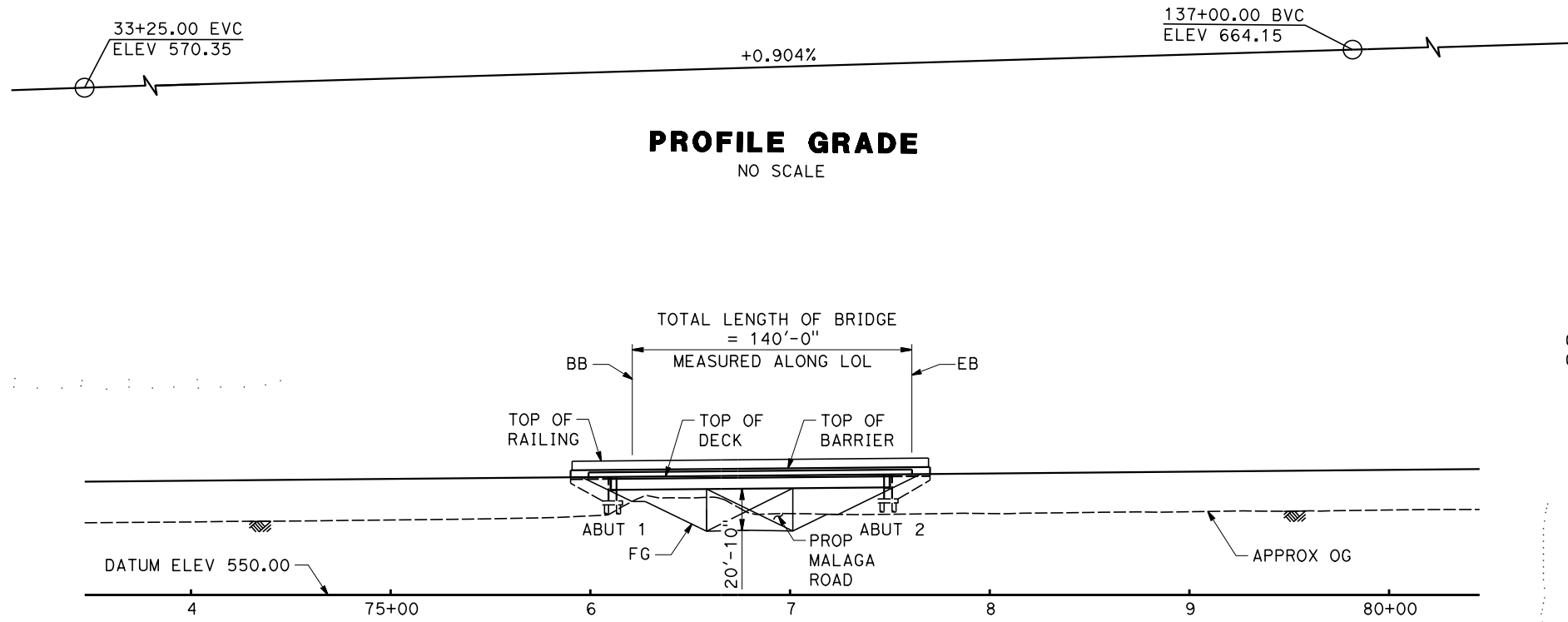
SHEET NO.
176

Projects\701206_00_CHSRBP\00_CADD\Sheet Files\ST\BP-ST-K1006

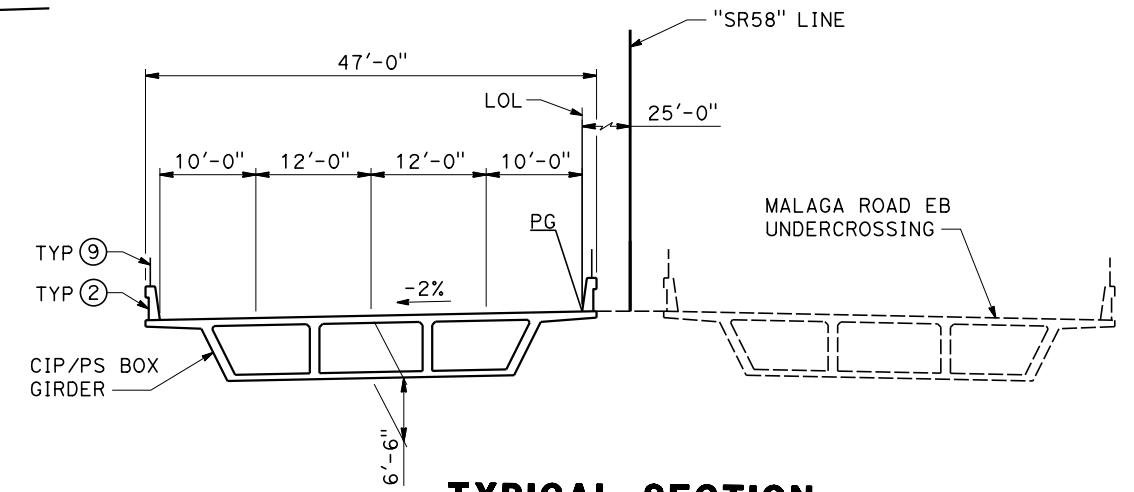
3:19:09 AM

1/21/2021

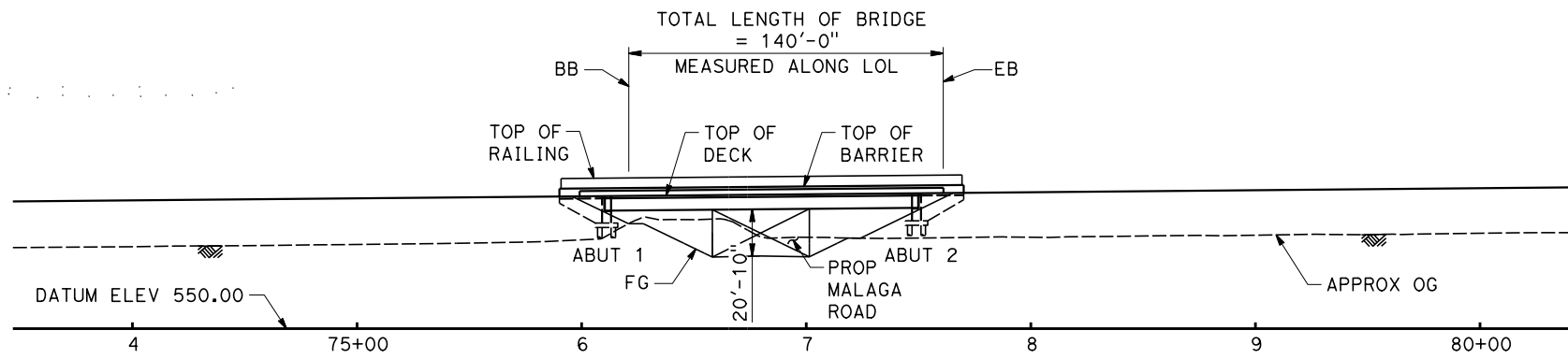
ics_user_17609



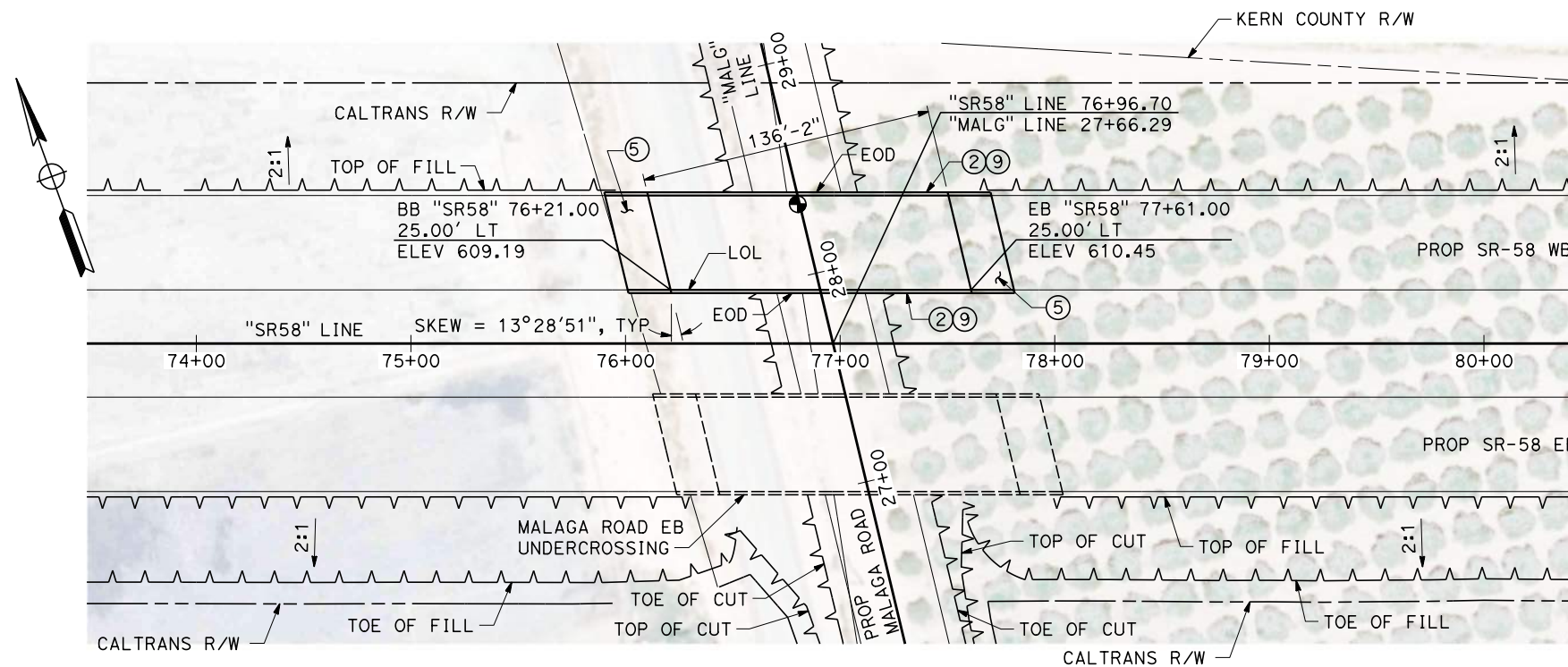
PROFILE GRADE
NO SCALE



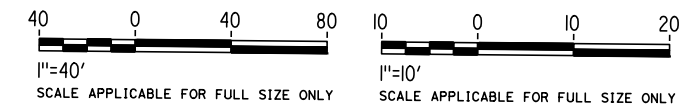
TYPICAL SECTION
SCALE 1" = 10'



MIRRORED ELEVATION
SCALE 1" = 40'



PLAN
SCALE 1" = 40'



REV	DATE	BY	CHK	APP	DESCRIPTION

DESIGNED BY
R. BARTON
DRAWN BY
B. MOZAFFARIAN
CHECKED BY
D. KASAWDISH
IN CHARGE
G. CAMPBELL
DATE
01/29/2021

RECORD SET
PEPD
SUBMITTAL

NOT FOR
CONSTRUCTION

TYLIN INTERNATIONAL



CALIFORNIA HIGH-SPEED RAIL PROJECT
BAKERSFIELD TO PALMDALE
ALTERNATIVES 1,3,5
ROADWAY STRUCTURES
MALAGA ROAD WB UNDERCROSSING
PLAN AND ELEVATION

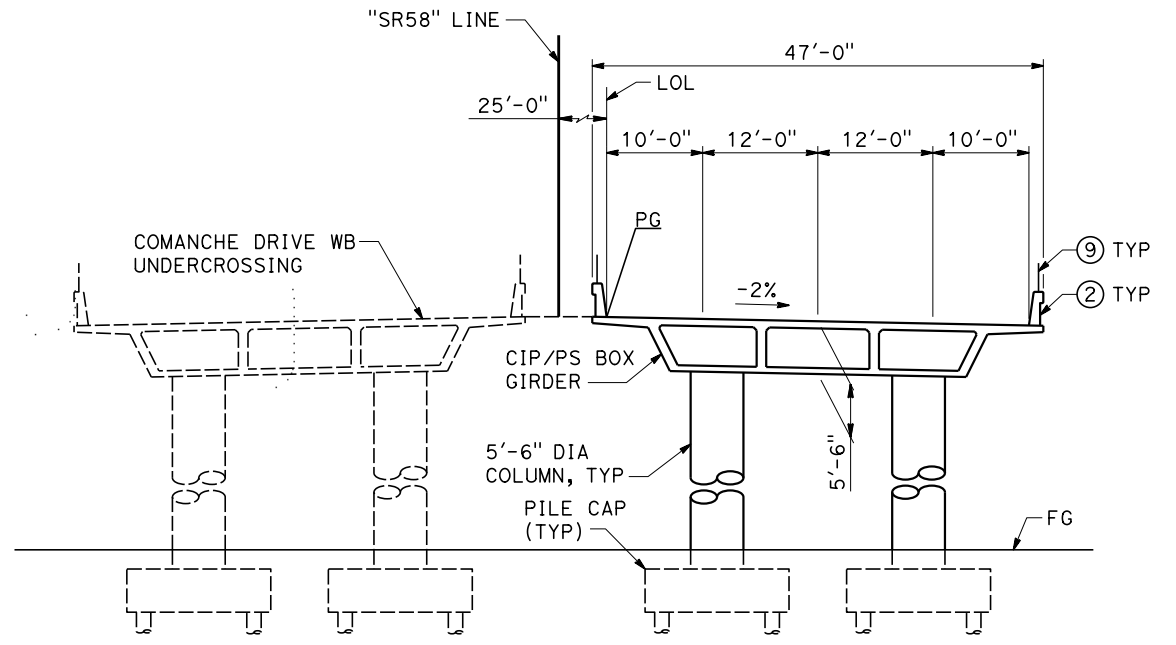
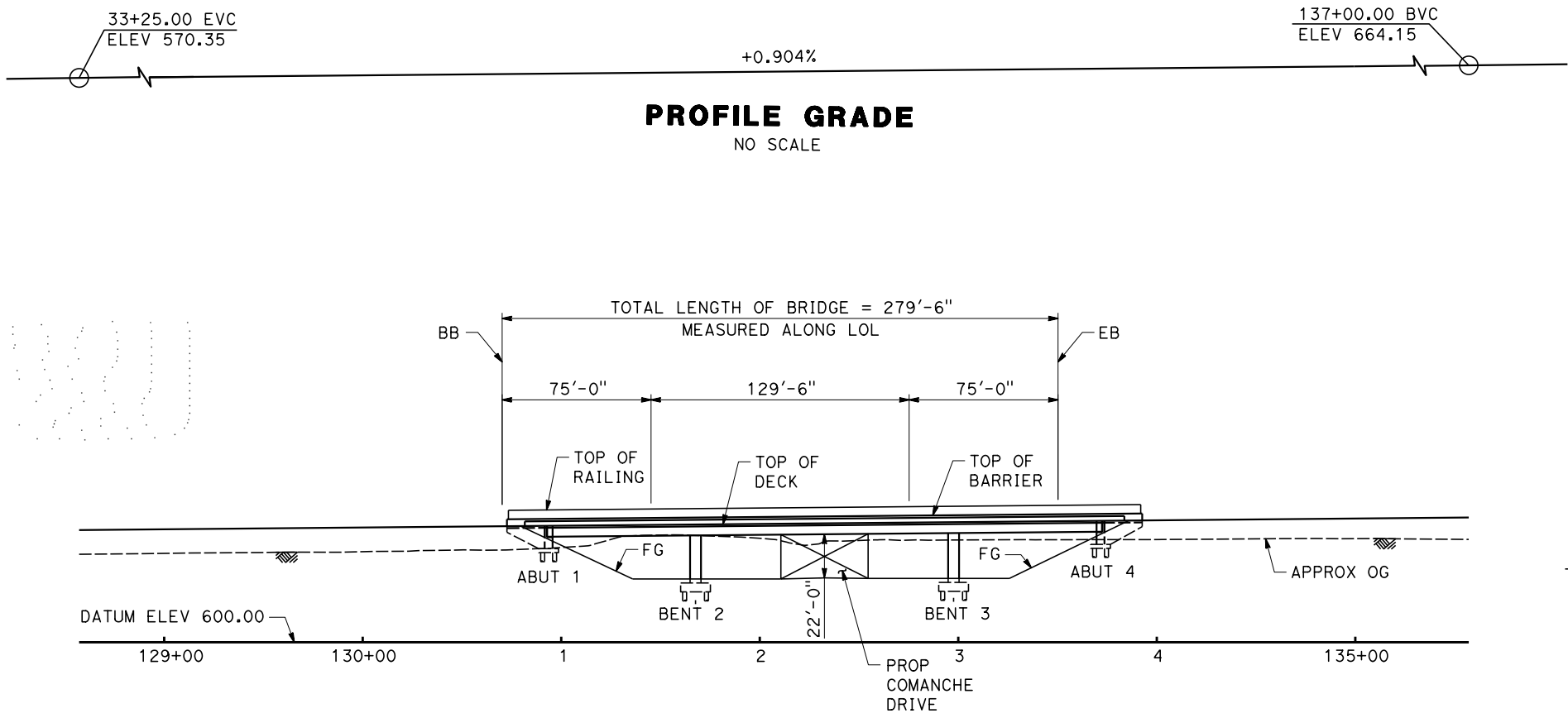
CONTRACT NO.
HSR13-44
DRAWING NO.
ST-K1006
SCALE
AS SHOWN
SHEET NO.
177

Projects\701206_00_CHSRBP\00_CADD\Sheet Files\ST\BP-ST-K1007

3:17:07 AM

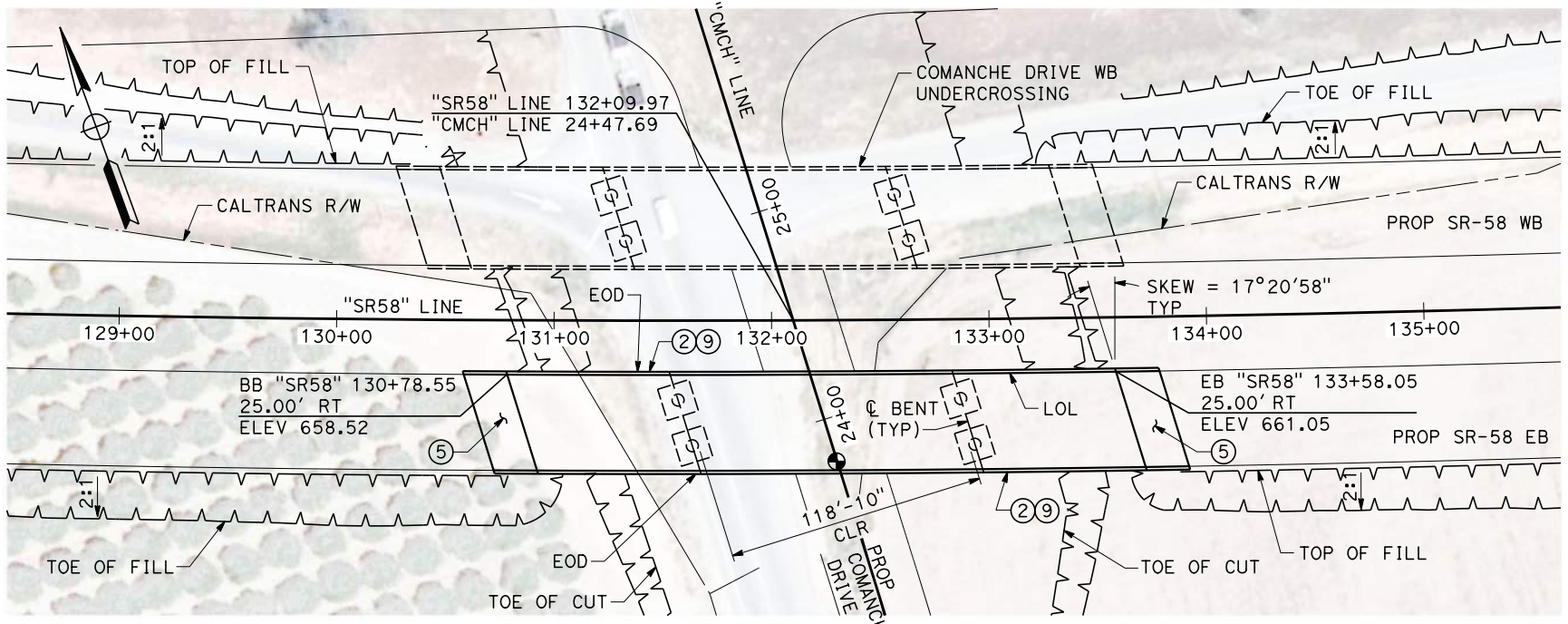
1/21/2021

ics_user_17609

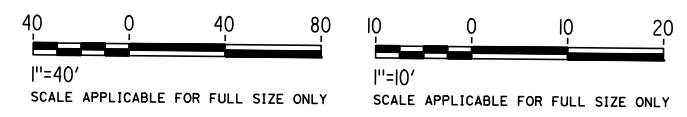


TYPICAL SECTION
SCALE 1" = 10'

ELEVATION
SCALE 1" = 40'



PLAN
SCALE 1" = 40'



REV	DATE	BY	CHK	APP	DESCRIPTION

DESIGNED BY
R. BARTON

DRAWN BY
B. MOZAFFARIAN

CHECKED BY
D. KASAWDISH

IN CHARGE
G. CAMPBELL

DATE
01/29/2021

RECORD SET
PEPD
SUBMITTAL

NOT FOR
CONSTRUCTION



CALIFORNIA HIGH-SPEED RAIL PROJECT
BAKERSFIELD TO PALMDALE
ALTERNATIVES 1,3,5
ROADWAY STRUCTURES
COMANCHE DRIVE EB UNDERCROSSING
PLAN AND ELEVATION

CONTRACT NO.
HSR13-44

DRAWING NO.
ST-K1007

SCALE
AS SHOWN

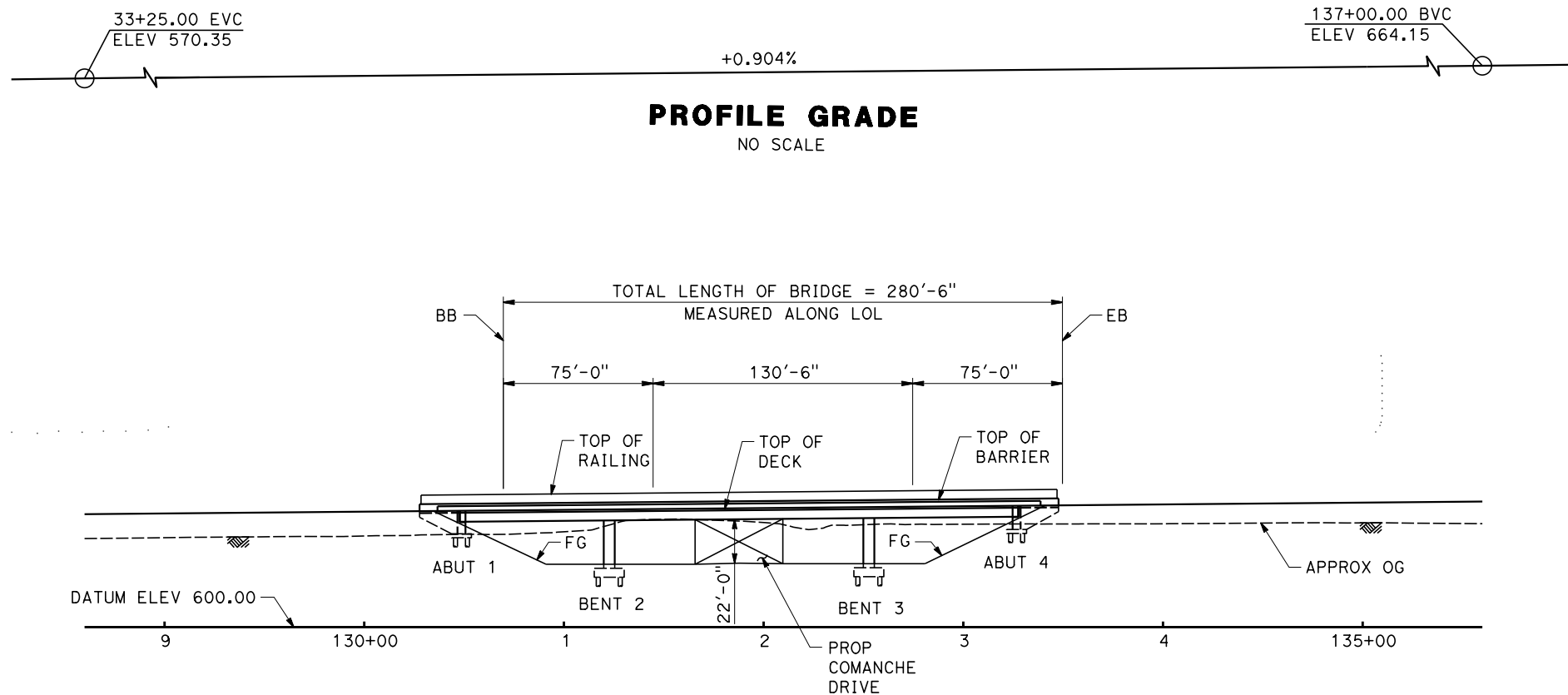
SHEET NO.
178

Projects\701206_00_CHSRBP\00_CADD\Sheet_Files\ST\BP-ST-K1008

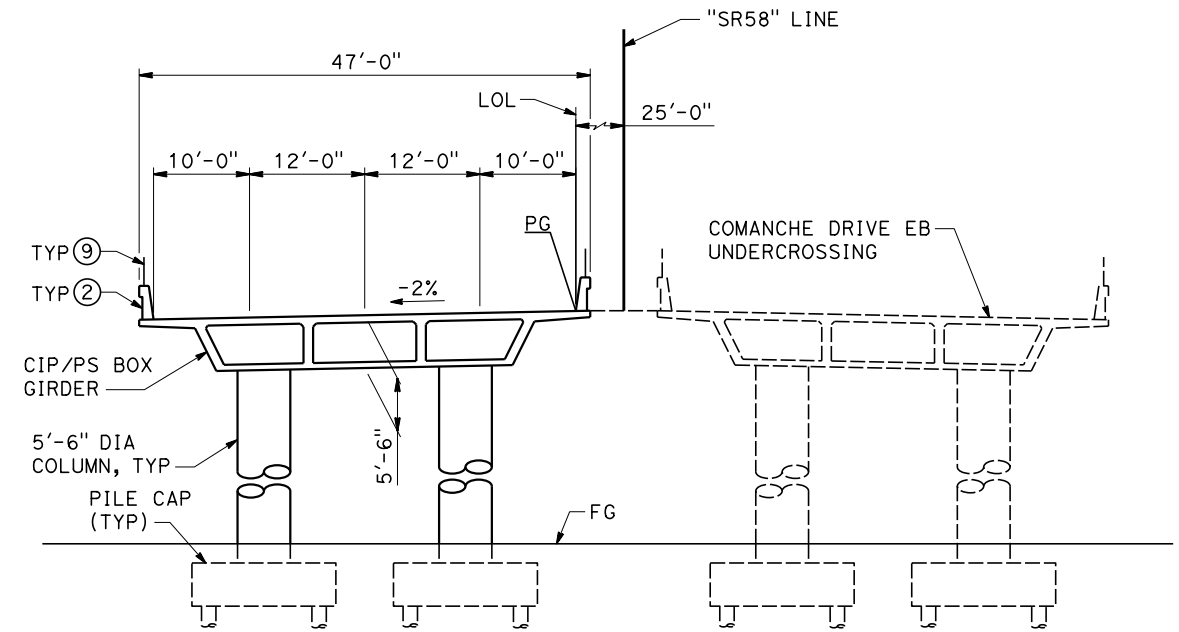
3:18:21 AM

1/21/2021

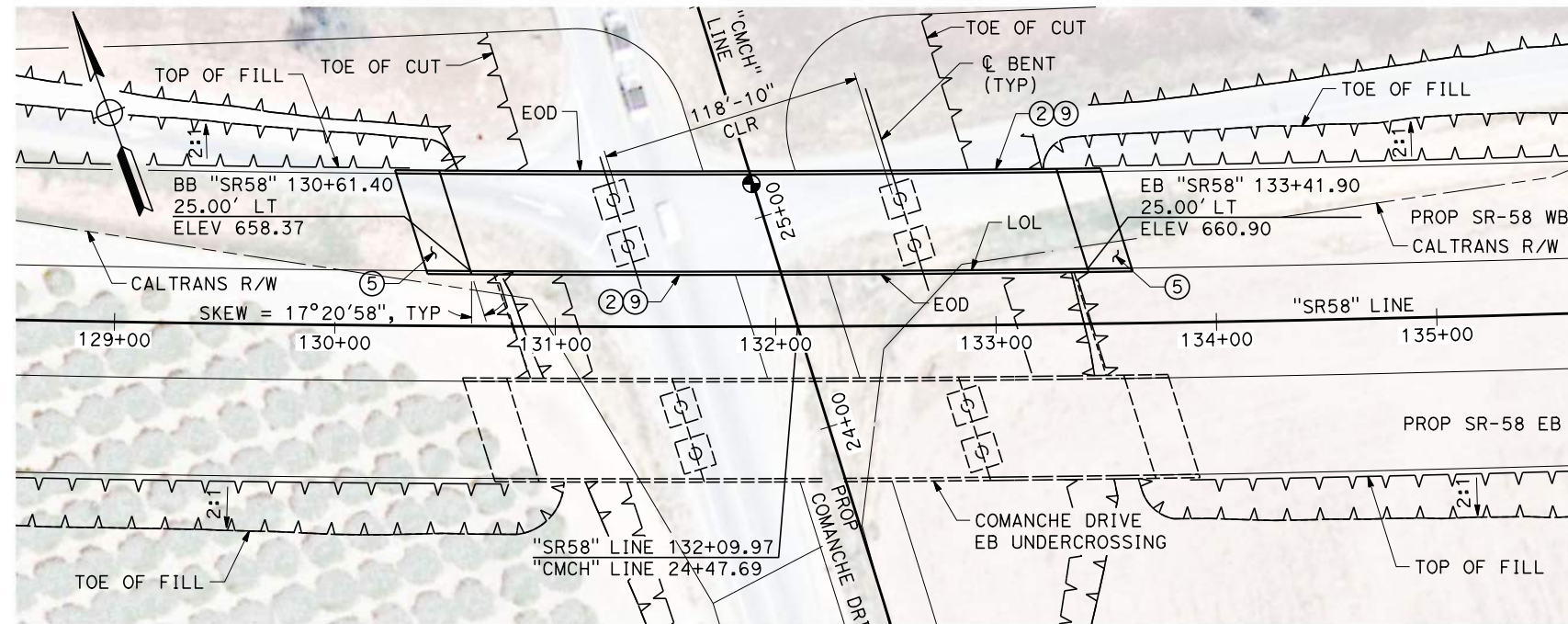
ics_user_17609



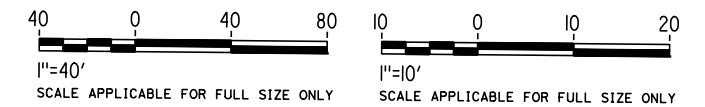
MIRRORED ELEVATION
SCALE 1" = 40'



TYPICAL SECTION
SCALE 1" = 10'



PLAN
SCALE 1" = 40'

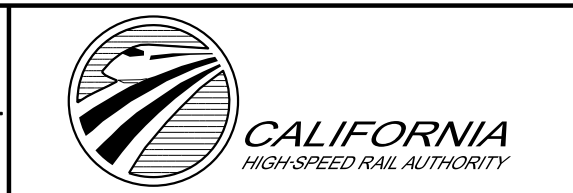


REV	DATE	BY	CHK	APP	DESCRIPTION

DESIGNED BY
R. BARTON
DRAWN BY
B. MOZAFFARIAN
CHECKED BY
D. KASAWDISH
IN CHARGE
G. CAMPBELL
DATE
01/29/2021

RECORD SET
PEPD
SUBMITTAL

NOT FOR
CONSTRUCTION



CALIFORNIA HIGH-SPEED RAIL PROJECT
BAKERSFIELD TO PALMDALE
ALTERNATIVES 1,3,5
ROADWAY STRUCTURES
COMANCHE DRIVE WB UNDERCROSSING
PLAN AND ELEVATION

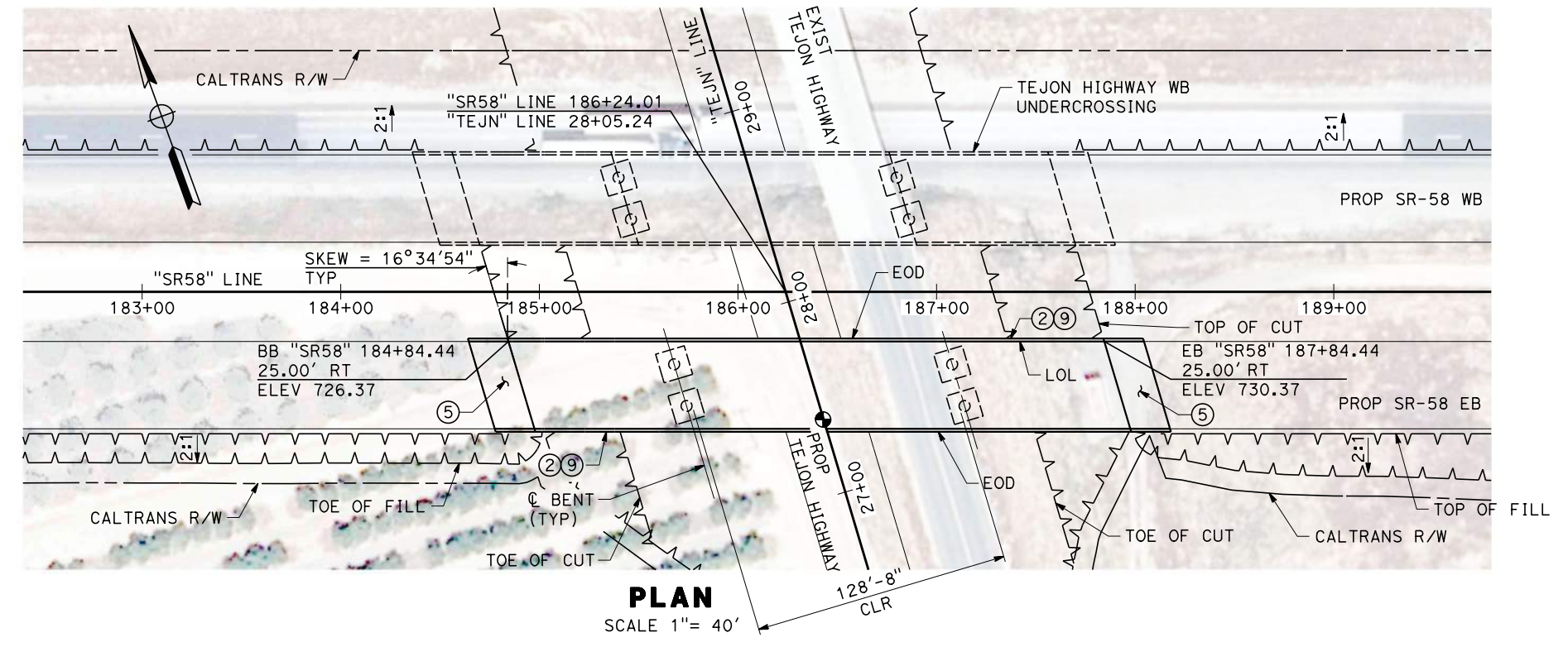
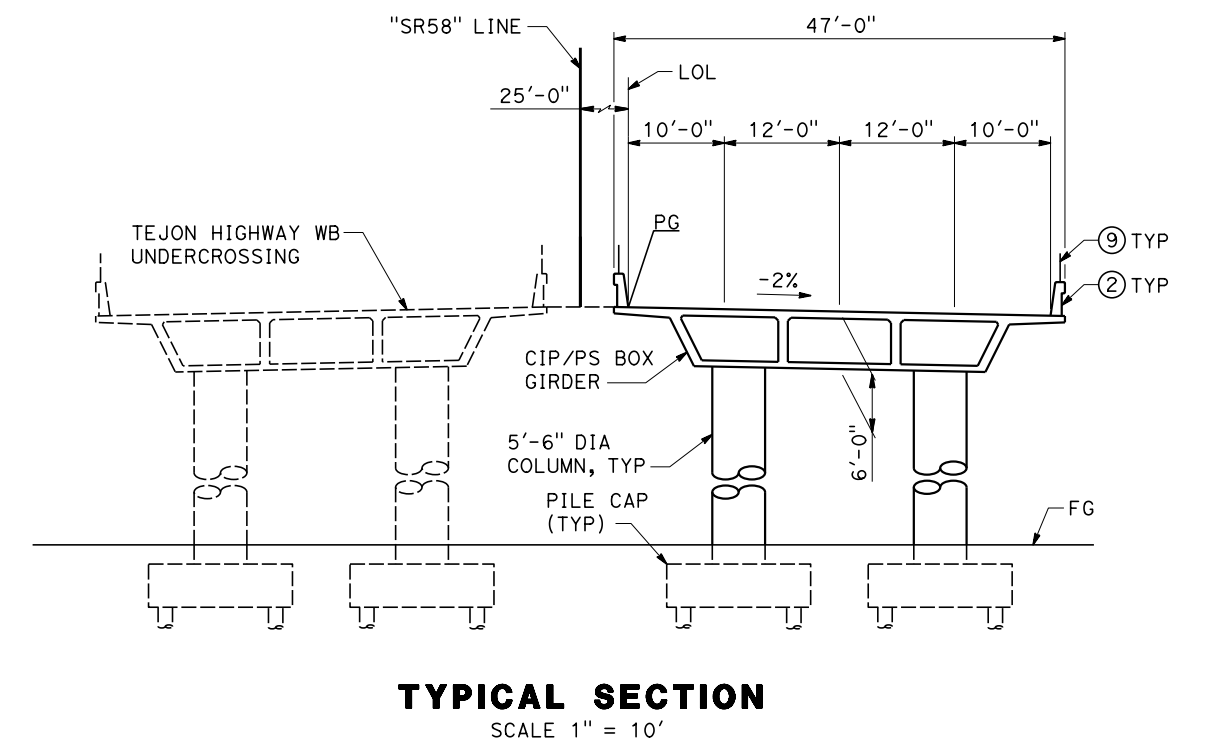
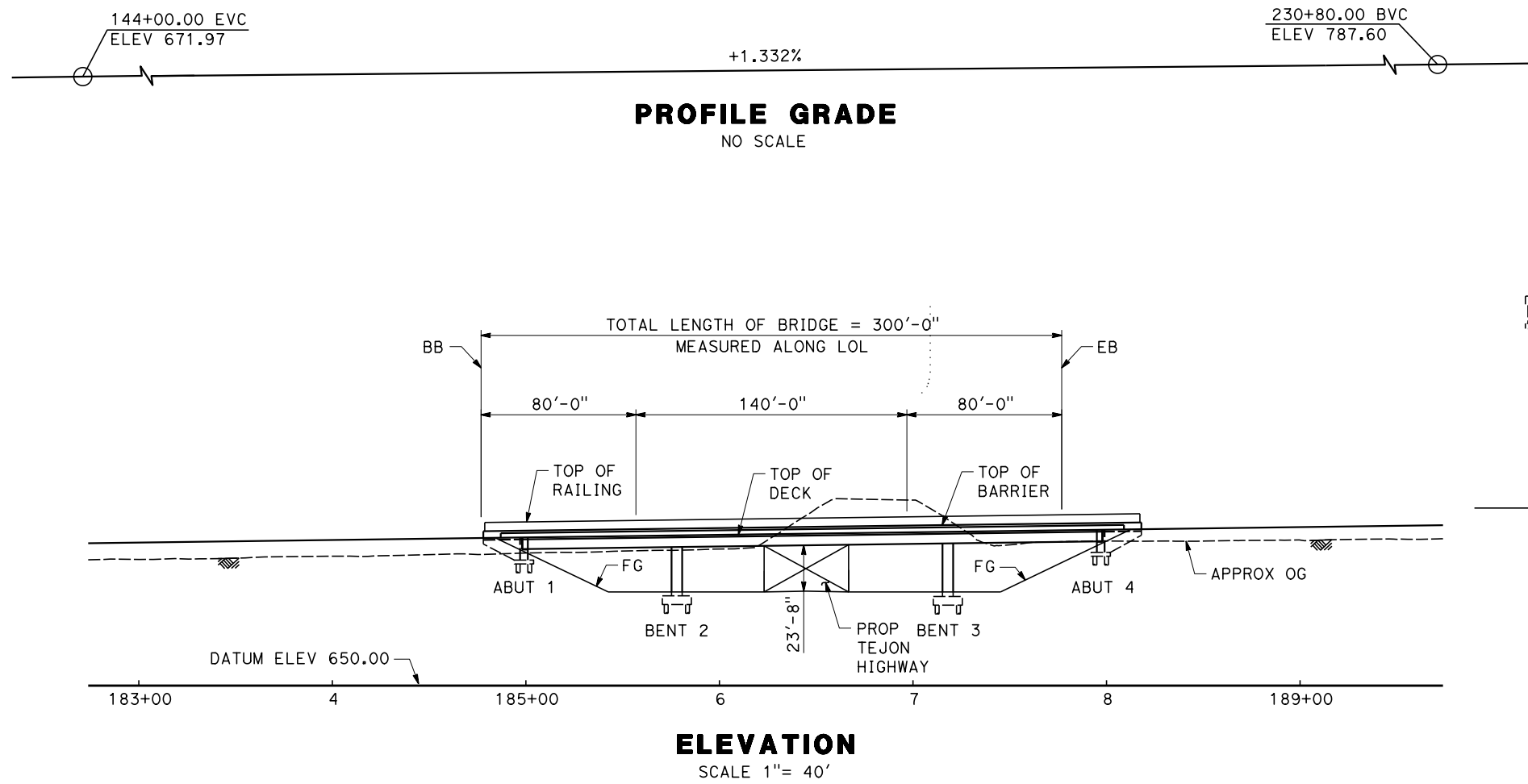
CONTRACT NO.
HSR13-44
DRAWING NO.
ST-K1008
SCALE
AS SHOWN
SHEET NO.
179

Projects\701206_00_CHSRBP_00_CADD\Sheet_Files\ST\BP-ST-K1009

3:18:45 AM

1/21/2021

ics_user_17609



REV	DATE	BY	CHK	APP	DESCRIPTION

DESIGNED BY
R. BARTON

DRAWN BY
B. MOZAFFARIAN

CHECKED BY
D. KAWSDISH

IN CHARGE
G. CAMPBELL

DATE
01/29/2021

RECORD SET
PEPD
SUBMITTAL

NOT FOR CONSTRUCTION



CALIFORNIA HIGH-SPEED RAIL PROJECT
BAKERSFIELD TO PALMDALE
ALTERNATIVES 1,3,5
ROADWAY STRUCTURES
TEJON HIGHWAY EB UNDERCROSSING
PLAN AND ELEVATION

CONTRACT NO.
HSR13-44

DRAWING NO.
ST-K1009

SCALE
AS SHOWN

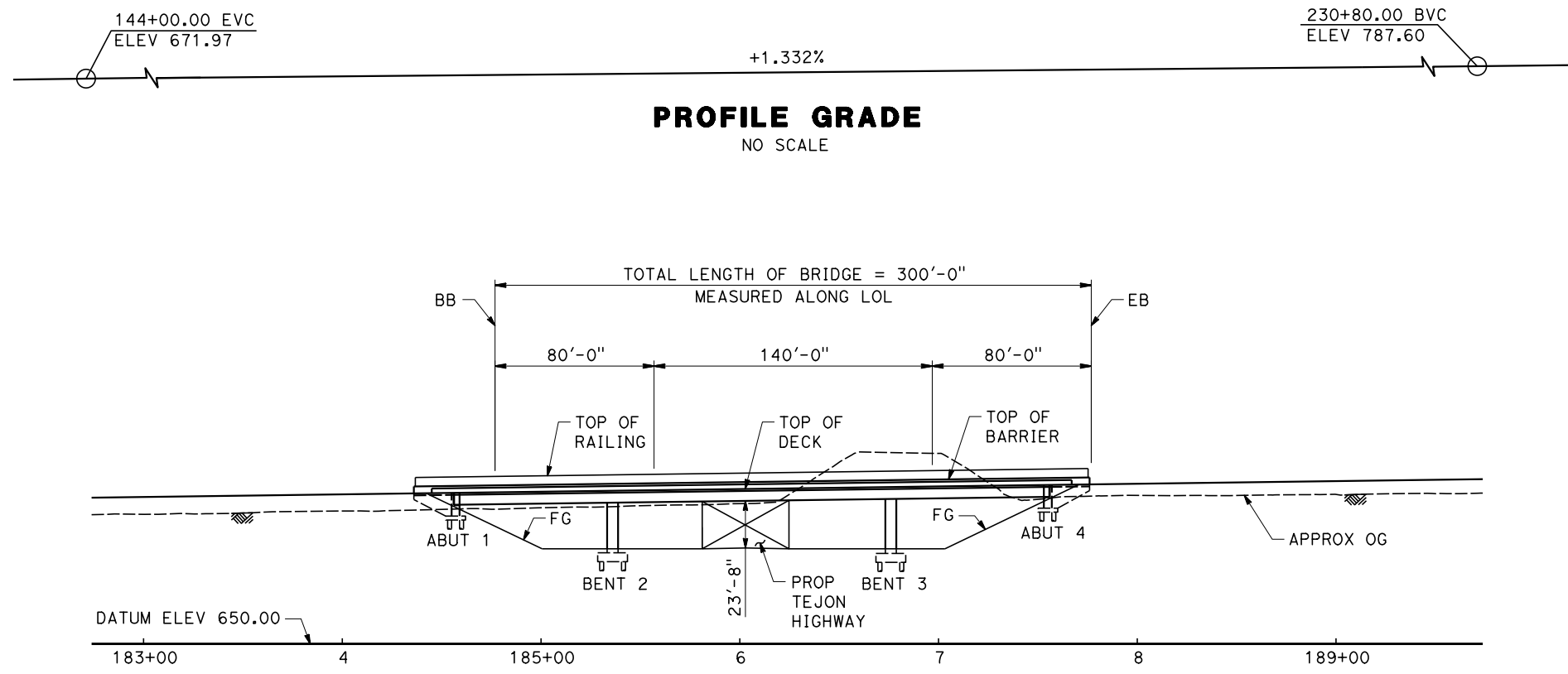
SHEET NO.
180

Projects\701206_00_CHSRBP\00_CADD\Sheet_Files\ST\BP-ST-K1010

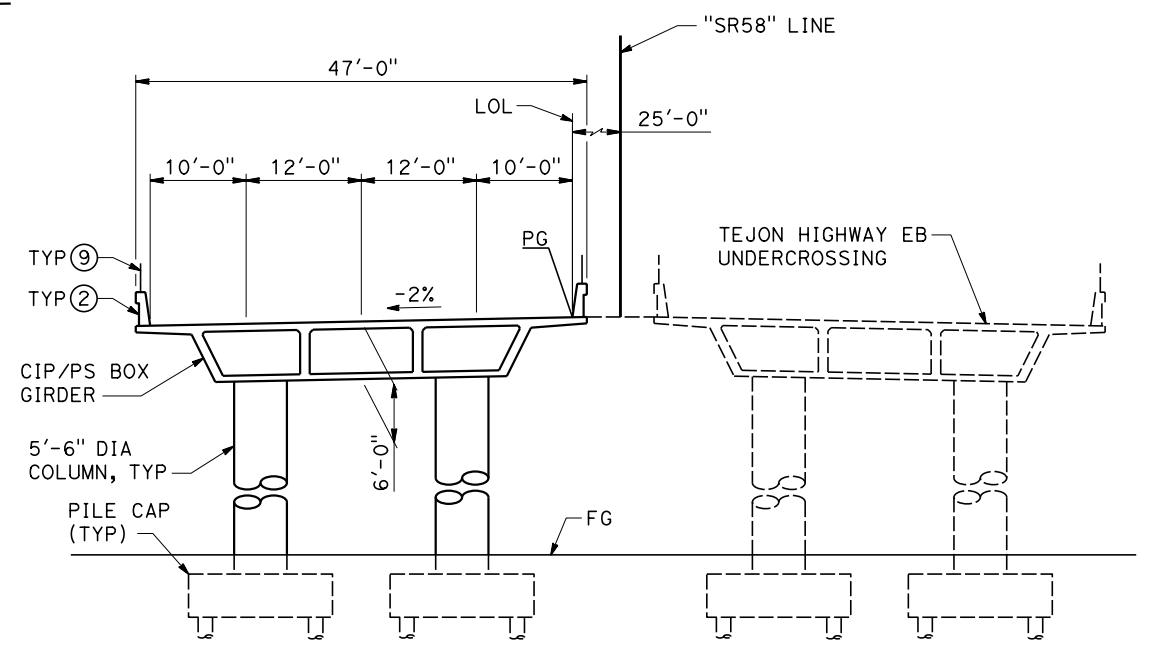
3:17:24 AM

1/21/2021

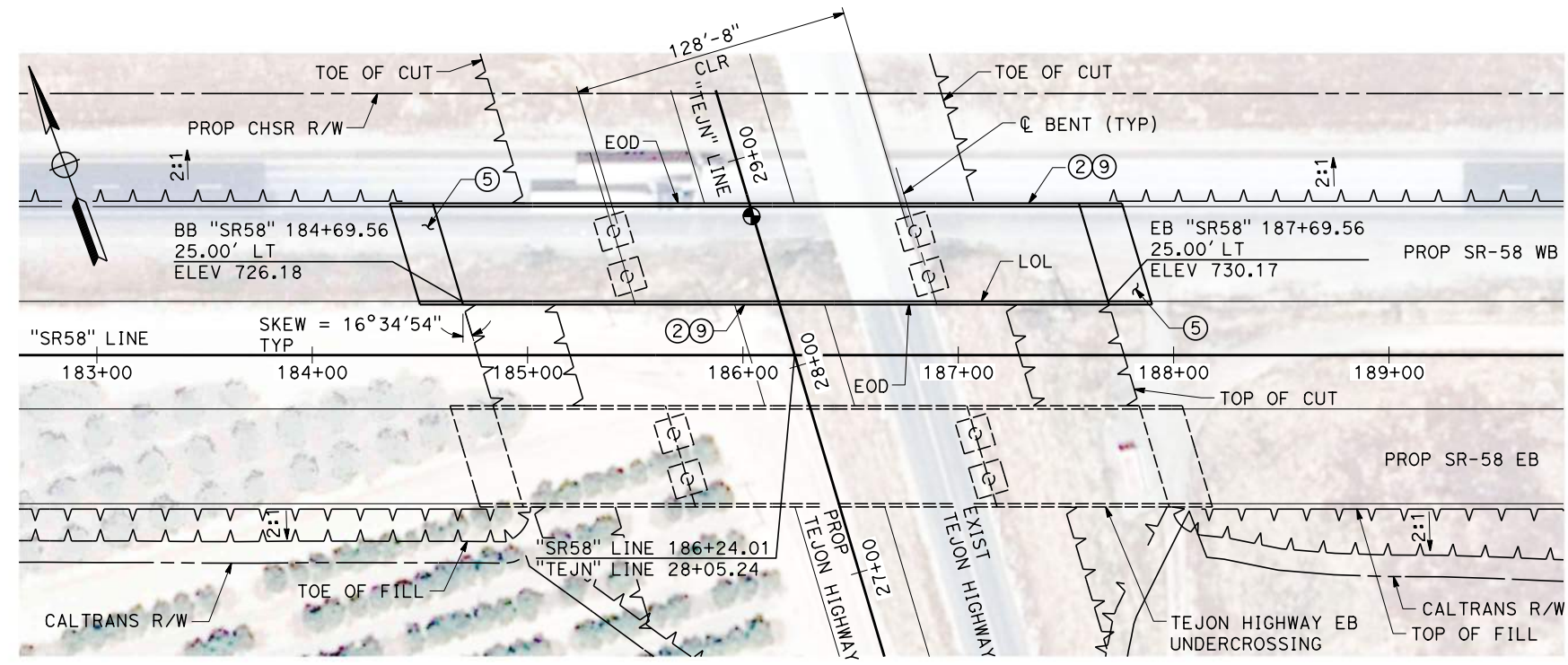
ics_user_17609



MIRRORED ELEVATION
SCALE 1" = 40'



TYPICAL SECTION
SCALE 1" = 10'



PLAN
SCALE 1" = 40'



REV	DATE	BY	CHK	APP	DESCRIPTION

DESIGNED BY
R. BARTON
DRAWN BY
B. MOZAFFARIAN
CHECKED BY
D. KASAWDISH
IN CHARGE
G. CAMPBELL
DATE
01/29/2021

RECORD SET
PEPD
SUBMITTAL

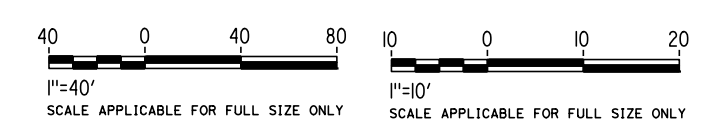
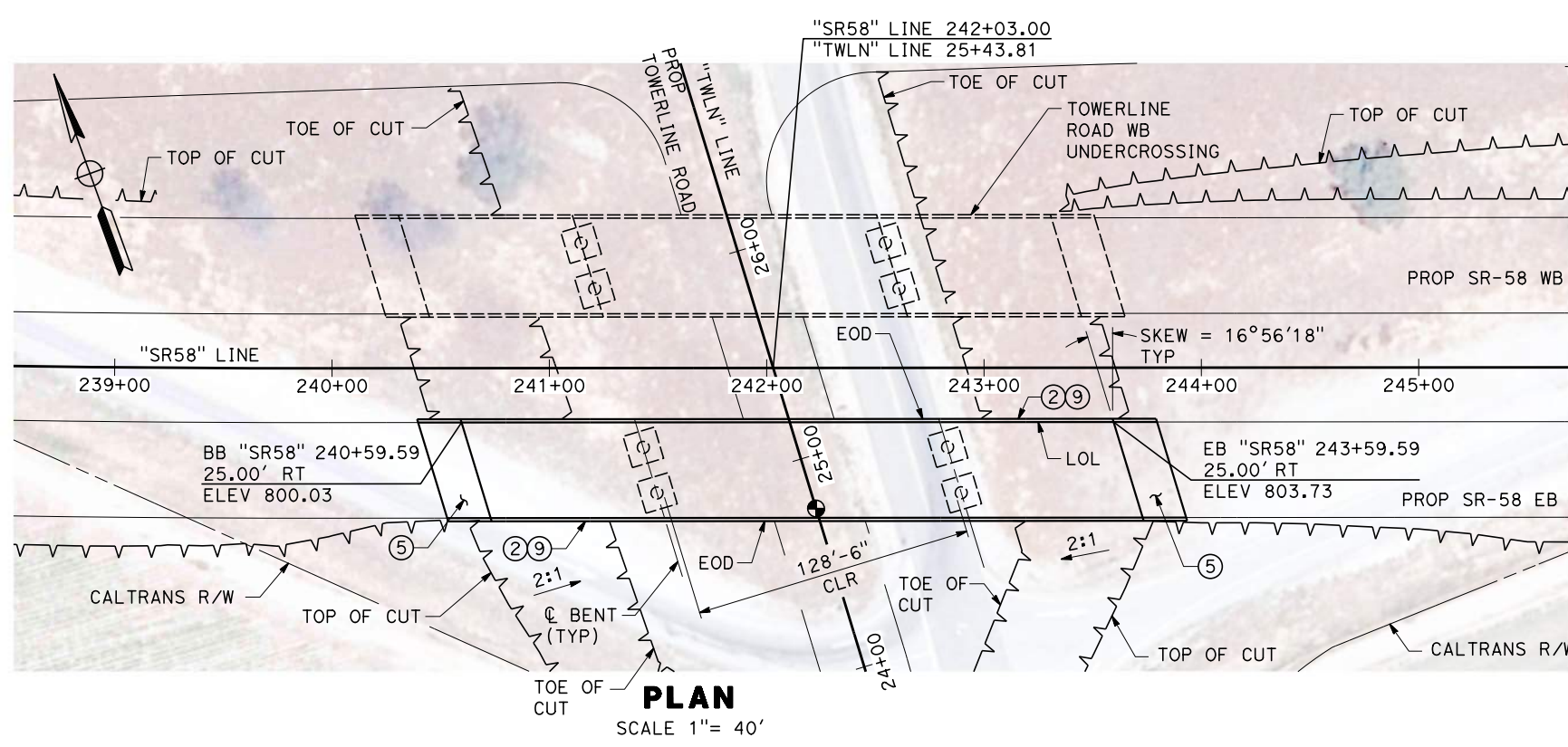
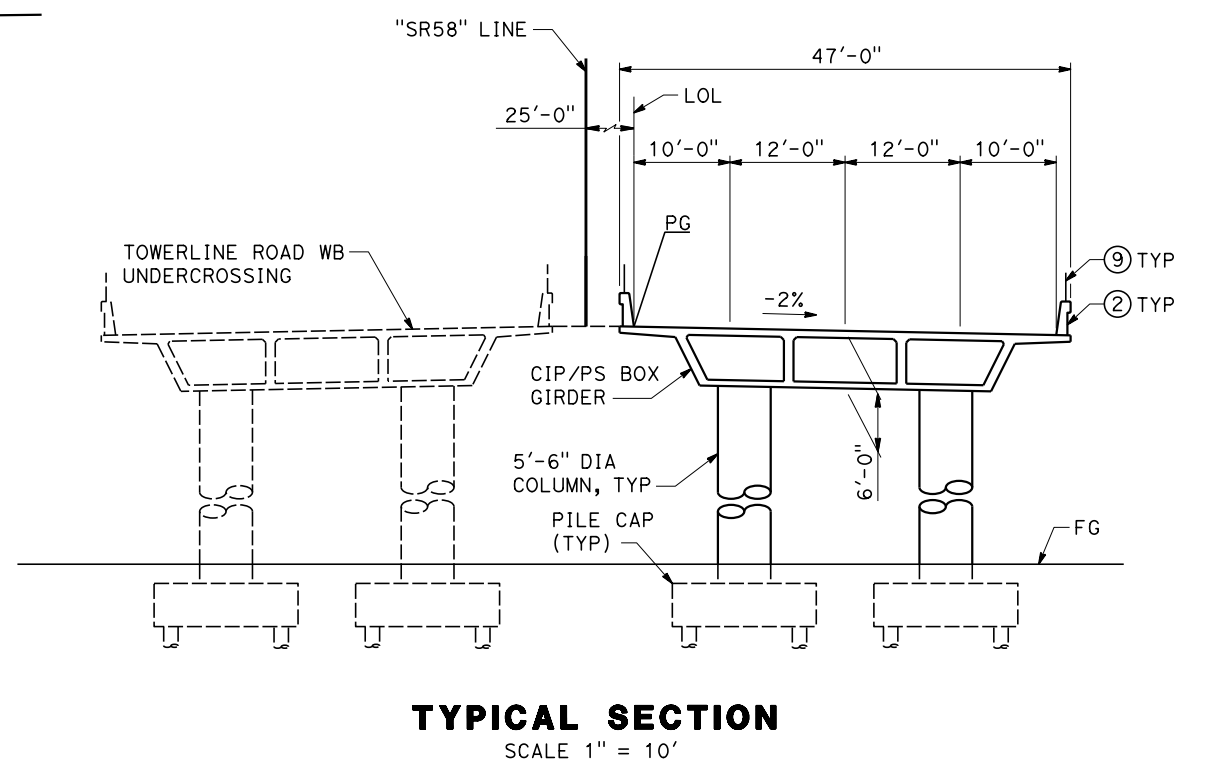
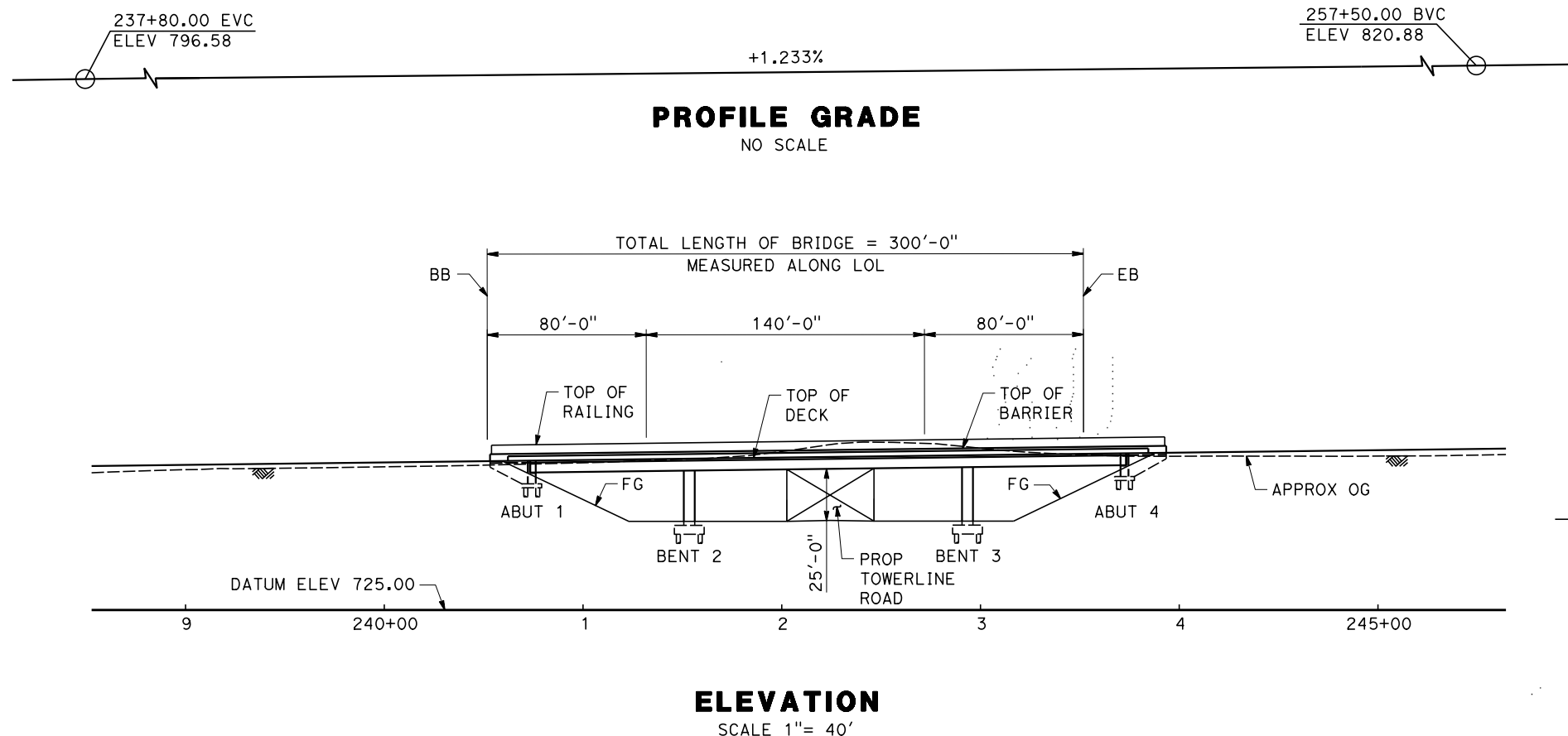
NOT FOR
CONSTRUCTION



CALIFORNIA HIGH-SPEED RAIL PROJECT
BAKERSFIELD TO PALMDALE
ALTERNATIVES 1,3,5
ROADWAY STRUCTURES
TEJON HIGHWAY WB UNDERCROSSING
PLAN AND ELEVATION

CONTRACT NO.
HSR13-44
DRAWING NO.
ST-K1010
SCALE
AS SHOWN
SHEET NO.
181

Projects\701206_00_CHSRBP_00_CADD\Sheet_Files\ST\BP-ST-K1011
 1/21/2021 3:16:29 AM
 jcs_user_17609



REV	DATE	BY	CHK	APP	DESCRIPTION

DESIGNED BY
R. BARTON

DRAWN BY
B. MOZAFFARIAN

CHECKED BY
D. KASAWDISH

IN CHARGE
G. CAMPBELL

DATE
01/29/2021

RECORD SET
PEPD
SUBMITTAL

NOT FOR
CONSTRUCTION



CALIFORNIA HIGH-SPEED RAIL PROJECT
BAKERSFIELD TO PALMDALE
ALTERNATIVES 1,3,5
ROADWAY STRUCTURES
TOWERLINE ROAD EB UNDERCROSSING
PLAN AND ELEVATION

CONTRACT NO.
HSR13-44

DRAWING NO.
ST-K1011

SCALE
AS SHOWN

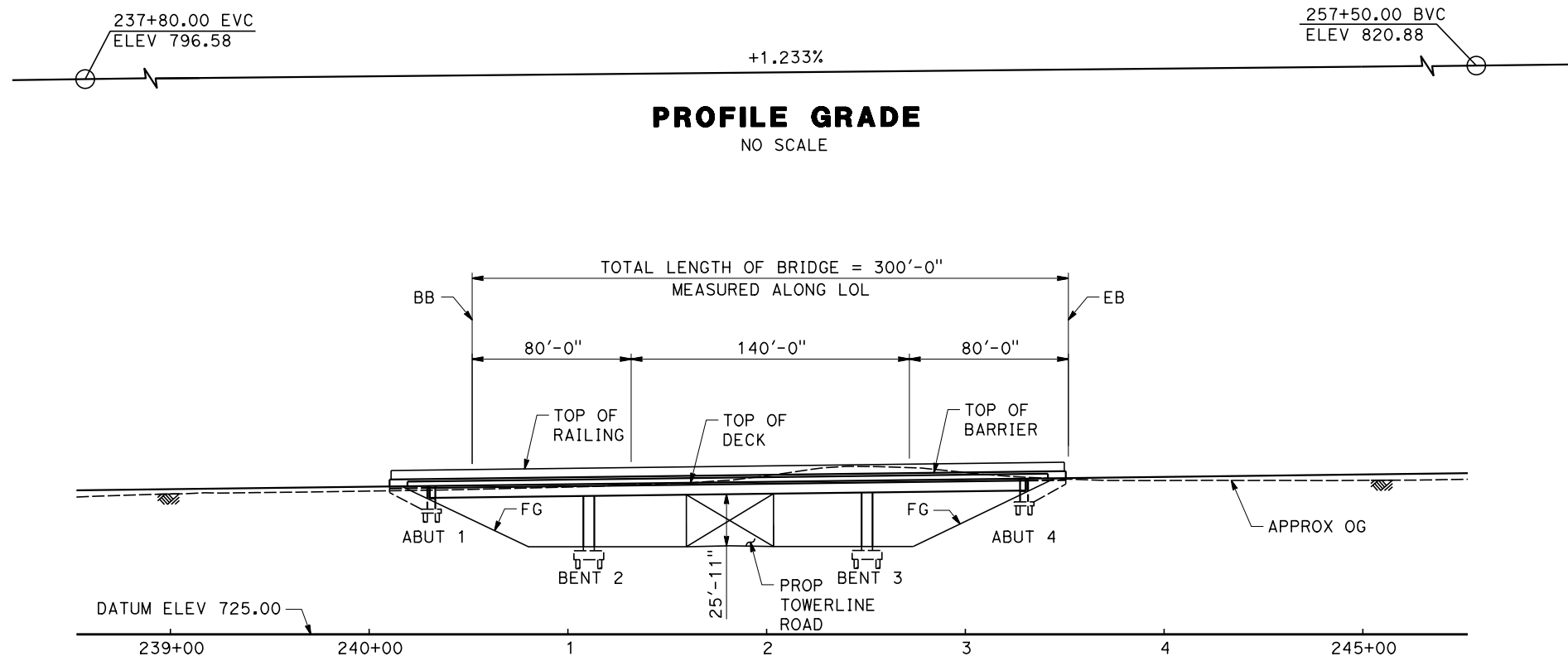
SHEET NO.
182

Projects\701206_00_CHSRBP\00_CADD\Sheet_Files\ST\BP-ST-K1012

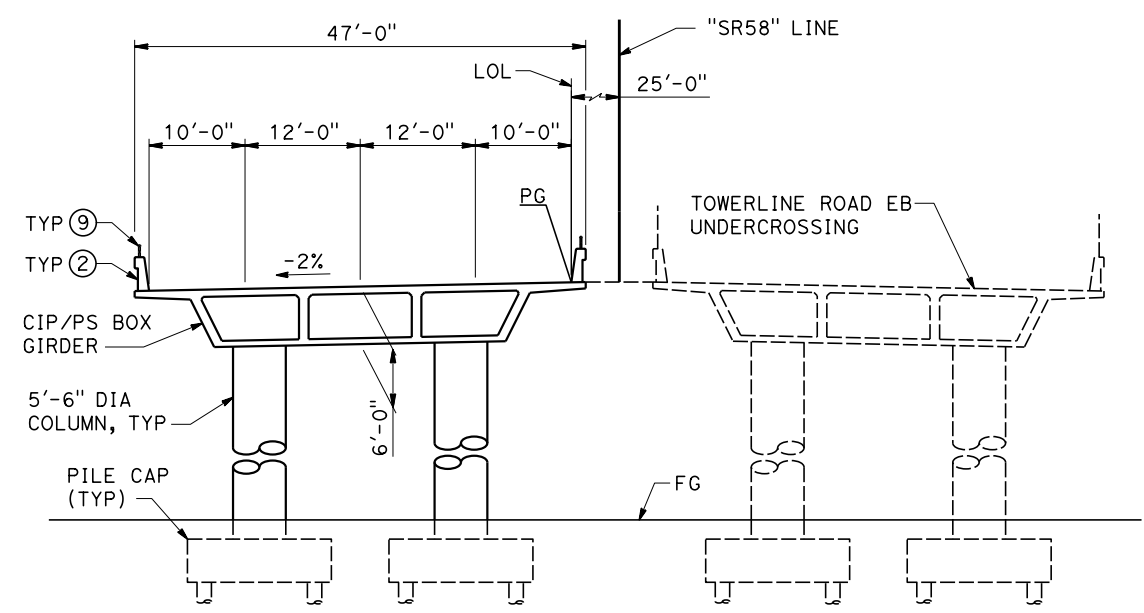
3:19:27 AM

1/21/2021

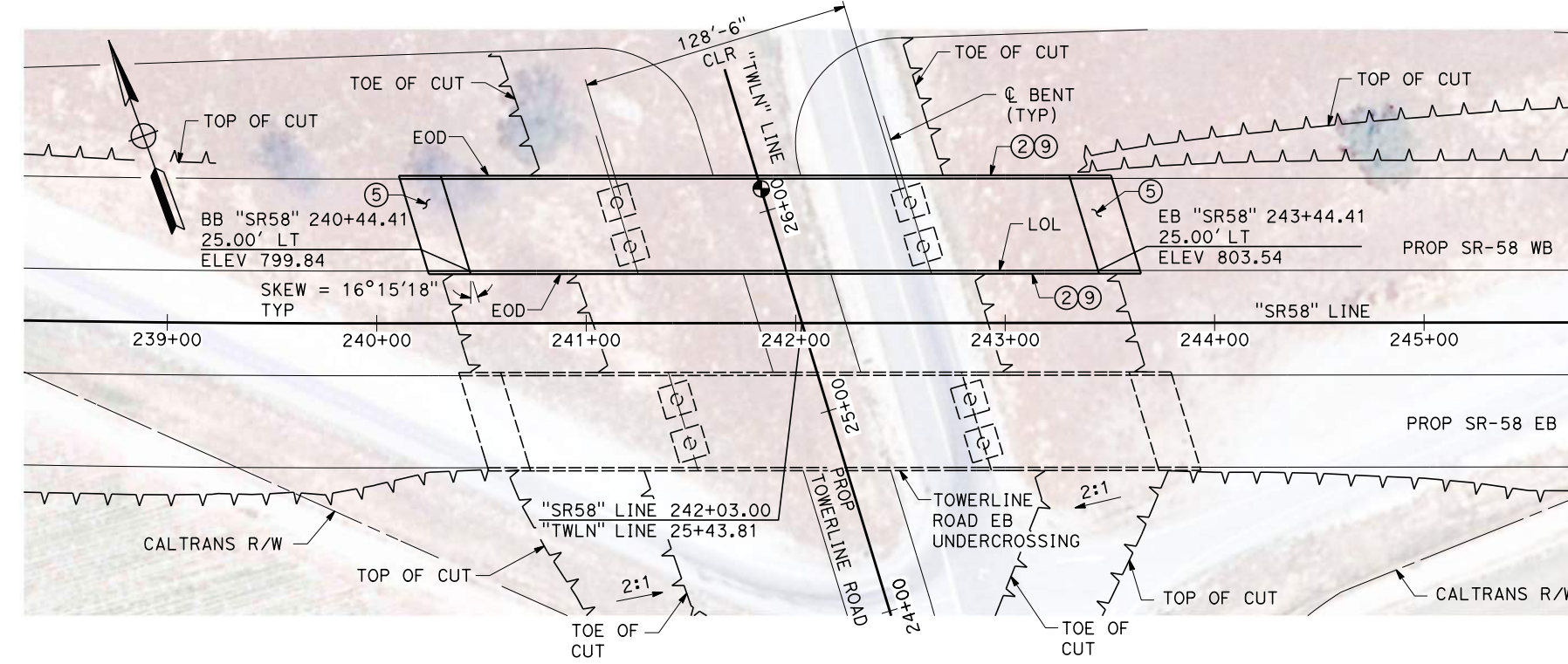
ics_user_17609



MIRRORED ELEVATION
SCALE 1" = 40'



TYPICAL SECTION
SCALE 1" = 10'



PLAN
SCALE 1" = 40'



REV	DATE	BY	CHK	APP	DESCRIPTION

DESIGNED BY
R. BARTON
DRAWN BY
B. MOZAFFARIAN
CHECKED BY
D. KASAWDISH
IN CHARGE
G. CAMPBELL
DATE
01/29/2021

RECORD SET
PEPD
SUBMITTAL

NOT FOR
CONSTRUCTION



CALIFORNIA HIGH-SPEED RAIL PROJECT
BAKERSFIELD TO PALMDALE
ALTERNATIVES 1,3,5
ROADWAY STRUCTURES
TOWERLINE ROAD WB UNDERCROSSING
PLAN AND ELEVATION

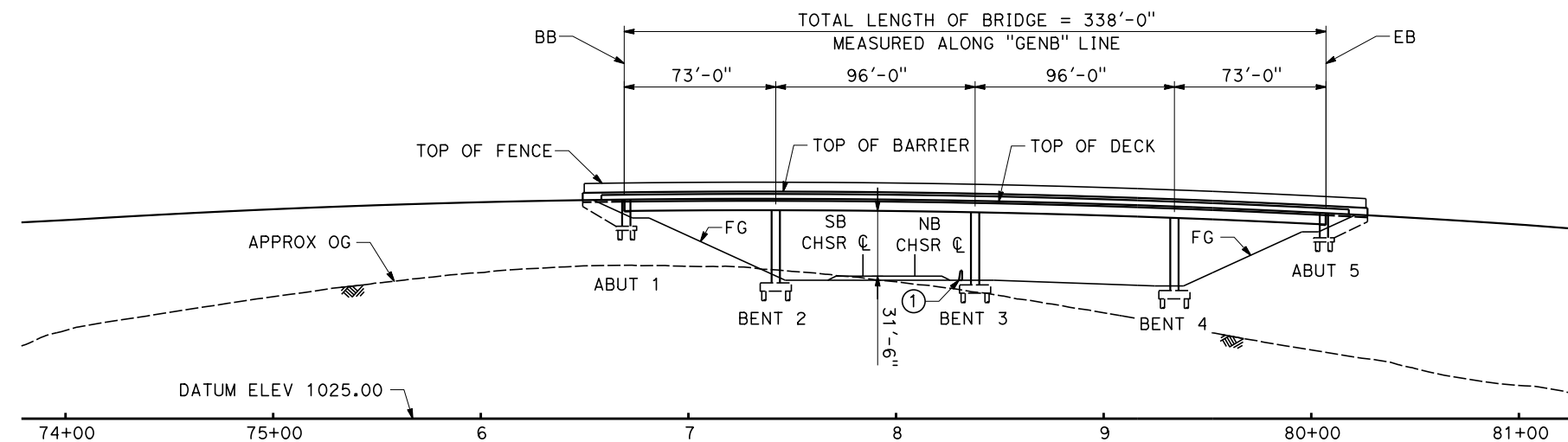
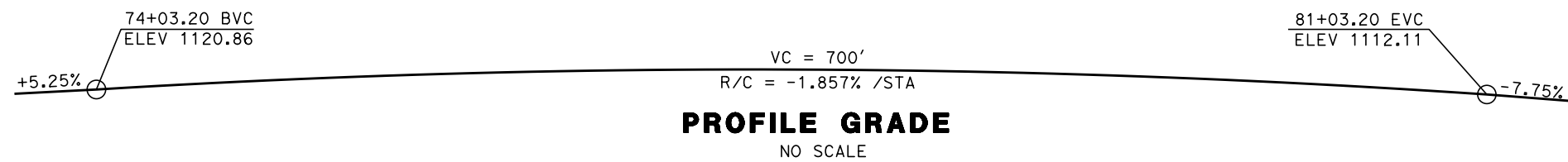
CONTRACT NO.
HSR13-44
DRAWING NO.
ST-K1012
SCALE
AS SHOWN
SHEET NO.
183

Projects\701206_00_CHSRBP\00_CADD\Sheet_Files\ST\BP-ST-K1013

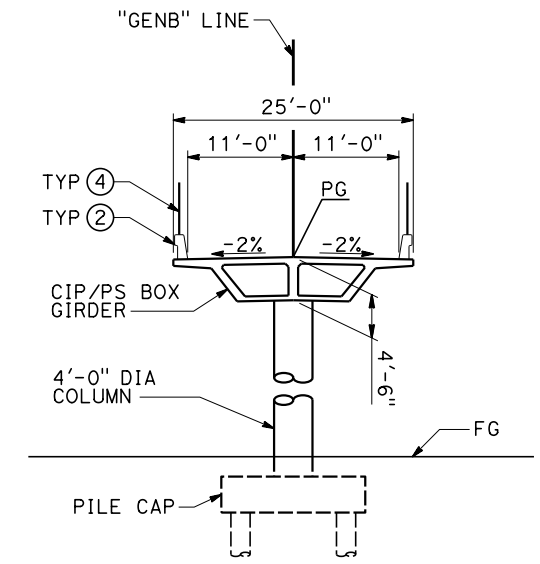
3:20:09 AM

1/21/2021

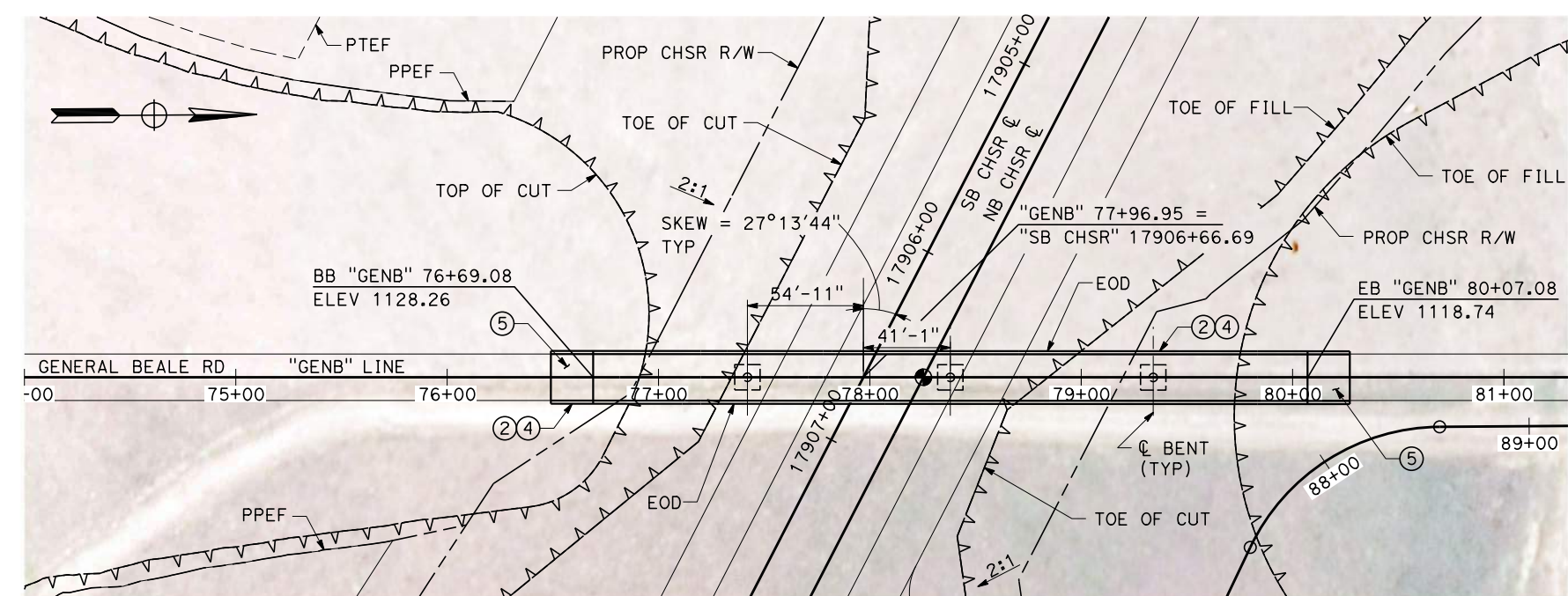
ics_user_17609



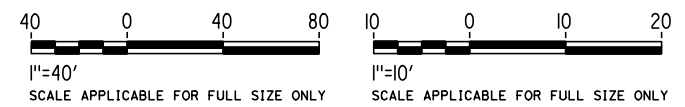
ELEVATION
SCALE 1"= 40'



TYPICAL SECTION
SCALE 1"= 10'



PLAN
SCALE 1"= 40'



REV	DATE	BY	CHK	APP	DESCRIPTION

DESIGNED BY
R. BARTON
DRAWN BY
B. MOZAFFARIAN
CHECKED BY
D. KASAWDISH
IN CHARGE
G. CAMPBELL
DATE
01/29/2021

RECORD SET
PEPD
SUBMITTAL

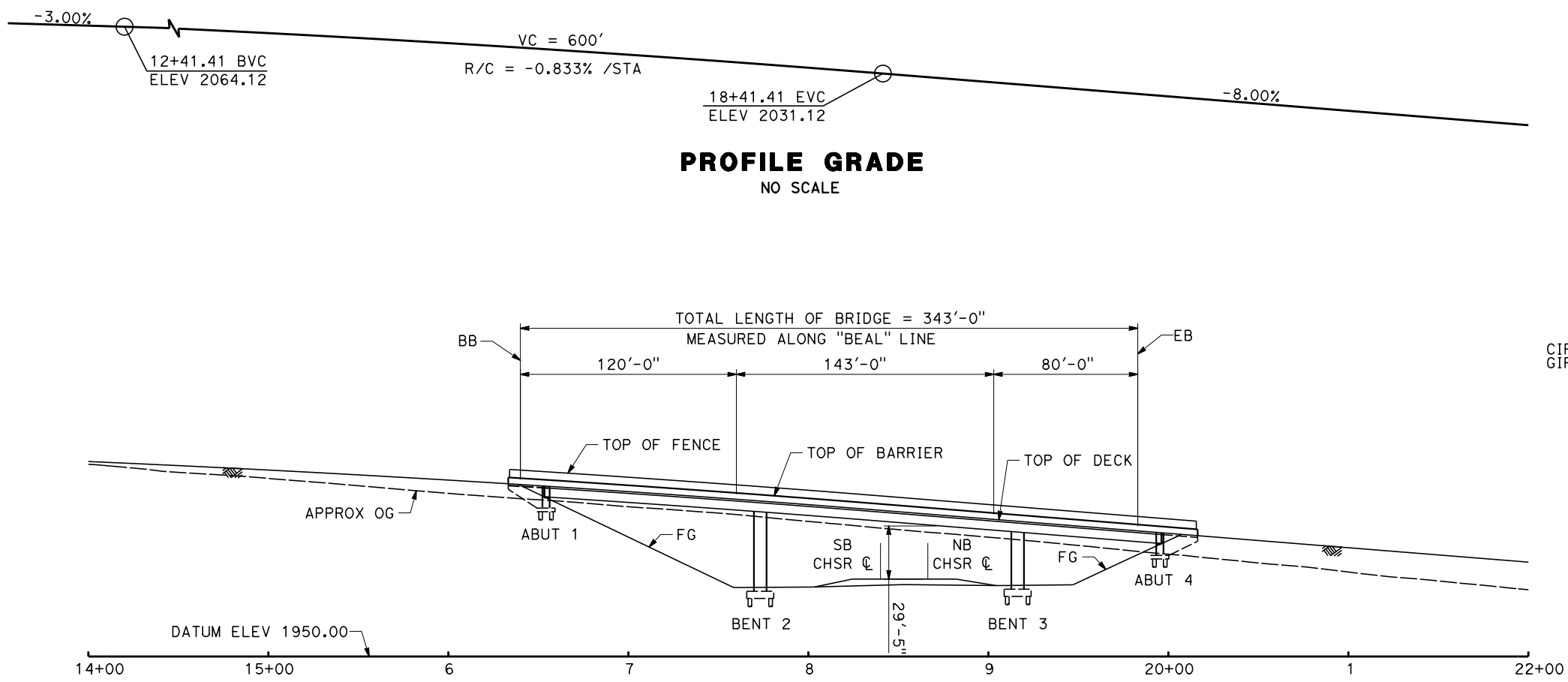
NOT FOR
CONSTRUCTION



CALIFORNIA HIGH-SPEED RAIL PROJECT
BAKERSFIELD TO PALMDALE
ALTERNATIVES 1,2,3,5
ROADWAY STRUCTURES
GENERAL BEALE ROAD OVERHEAD
PLAN AND ELEVATION

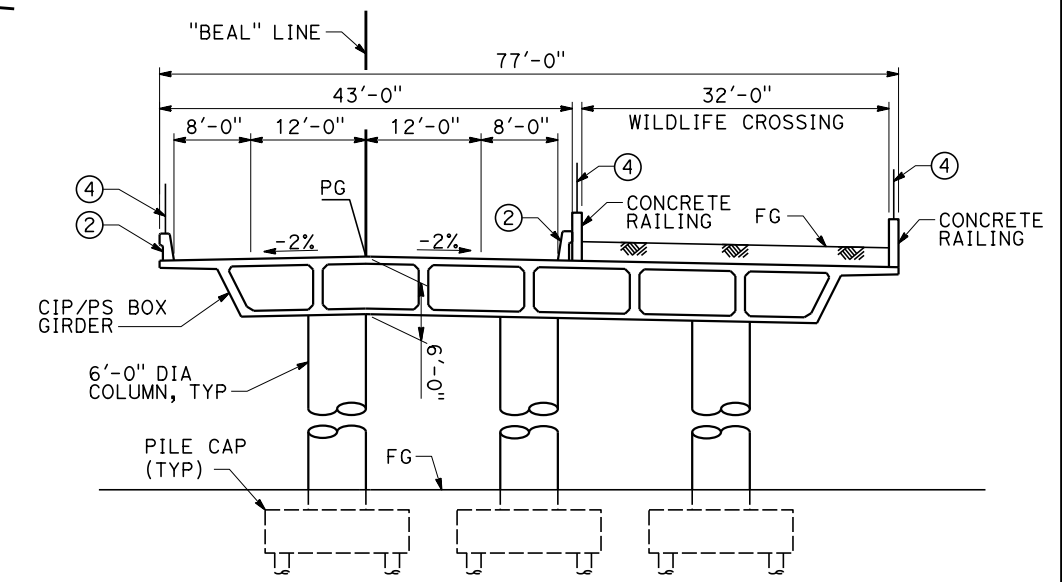
CONTRACT NO.
HSR13-44
DRAWING NO.
ST-K1013
SCALE
AS SHOWN
SHEET NO.
184

Projects\701206_00_CHSRBP\00_CADD\Sheet_Files\ST\BP-ST-K1014
 1/21/2021 3:19:04 AM
 jcs_user_17609

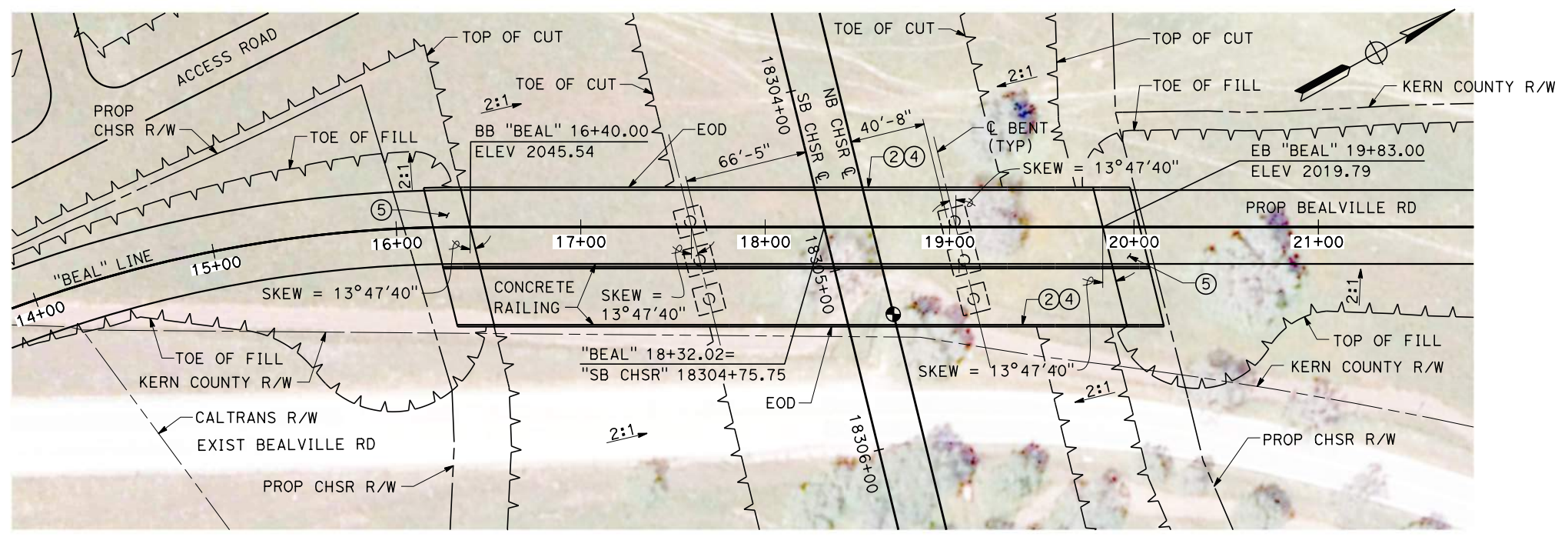


PROFILE GRADE
NO SCALE

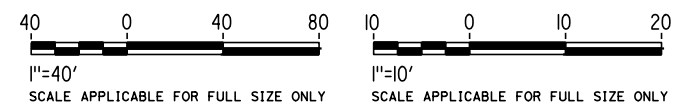
ELEVATION
SCALE 1"= 40'



TYPICAL SECTION
SCALE 1"= 10'



PLAN
SCALE 1"= 40'



REV	DATE	BY	CHK	APP	DESCRIPTION

DESIGNED BY
R. BARTON
 DRAWN BY
B. MOZAFFARIAN
 CHECKED BY
D. KASAWDISH
 IN CHARGE
G. CAMPBELL
 DATE
01/29/2021

RECORD SET
PEPD
SUBMITTAL

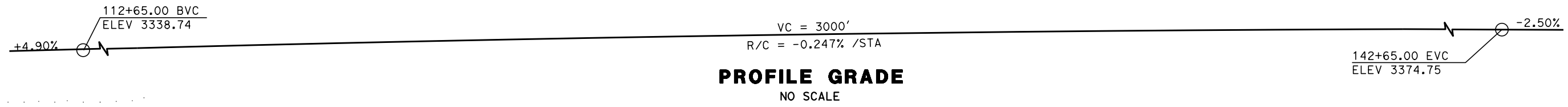
NOT FOR
CONSTRUCTION



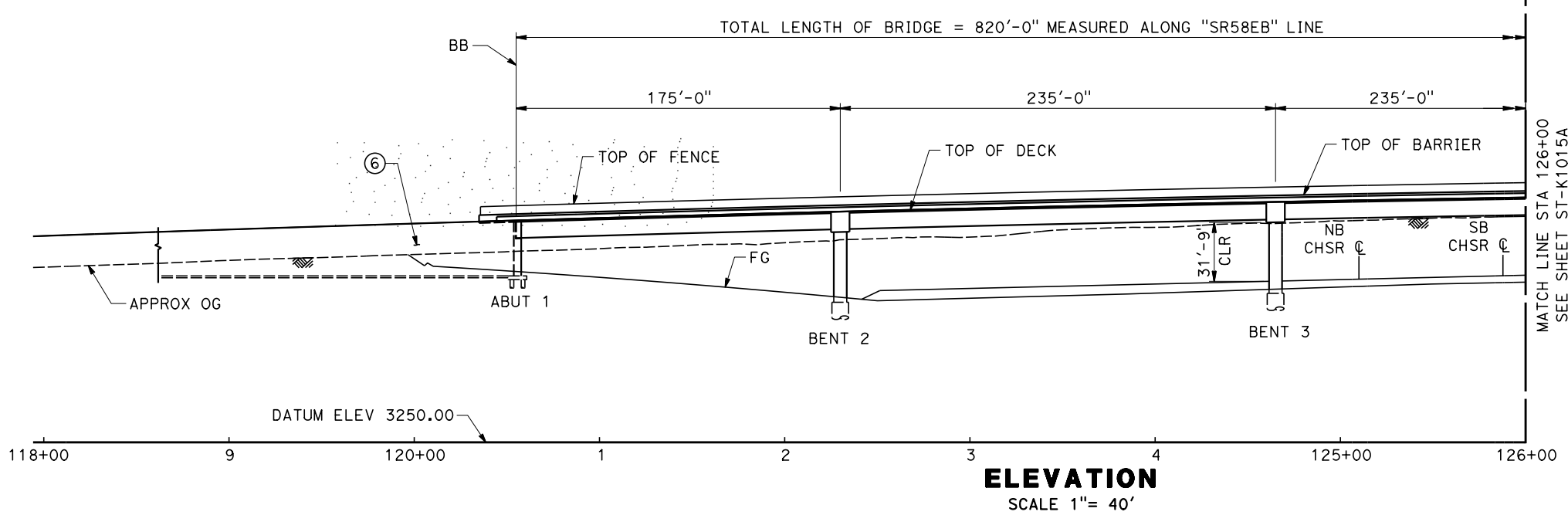
CALIFORNIA HIGH-SPEED RAIL PROJECT
BAKERSFIELD TO PALMDALE
 ALTERNATIVES 1,2,3,5
 ROADWAY STRUCTURES
 BEALVILLE ROAD OVERHEAD
 PLAN AND ELEVATION

CONTRACT NO.
HSR13-44
 DRAWING NO.
ST-K1014
 SCALE
AS SHOWN
 SHEET NO.
185

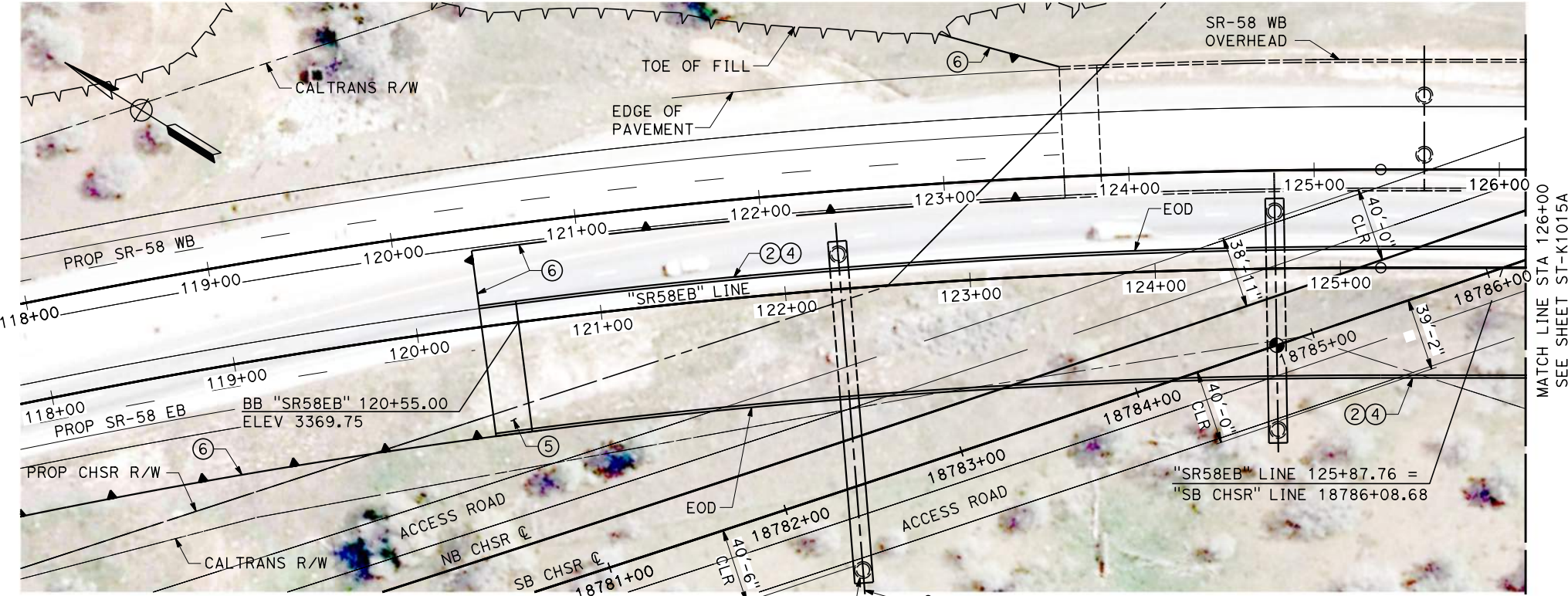
Projects\701206_00_CHSRBP\00_CADD\Sheet_Files\ST\BP-ST-K1015
3:04:20 AM
1/22/2021
ics_user_17609



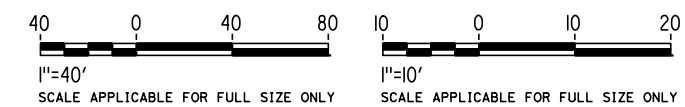
PROFILE GRADE
NO SCALE



ELEVATION
SCALE 1" = 40'



PLAN
SCALE 1" = 40'



DESIGNED BY R. BARTON	RECORD SET PEPD SUBMITTAL NOT FOR CONSTRUCTION		
DRAWN BY B. MOZAFFARIAN			
CHECKED BY D. KASAWDISH			
IN CHARGE G. CAMPBELL			
DATE 01/29/2021			
BY	CHK	APP	DESCRIPTION

TYLIN INTERNATIONAL

CALIFORNIA
HIGH-SPEED RAIL AUTHORITY

CALIFORNIA HIGH-SPEED RAIL PROJECT
BAKERSFIELD TO PALMDALE
ALTERNATIVES 1,2,3,5
ROADWAY STRUCTURES
SR 58 EB OVERHEAD
PLAN AND ELEVATION

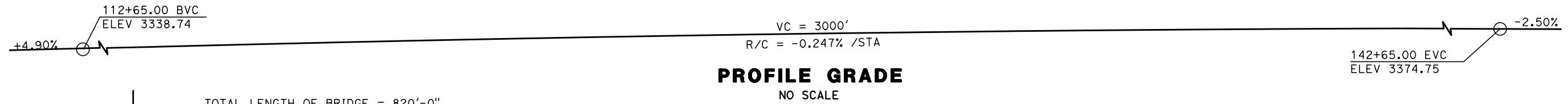
CONTRACT NO. HSR13-44
DRAWING NO. ST-K1015
SCALE AS SHOWN
SHEET NO. 186

Projects\701206.00_CHSRBP\00_CADD\Sheet_Files\ST\BP-ST-K1015A

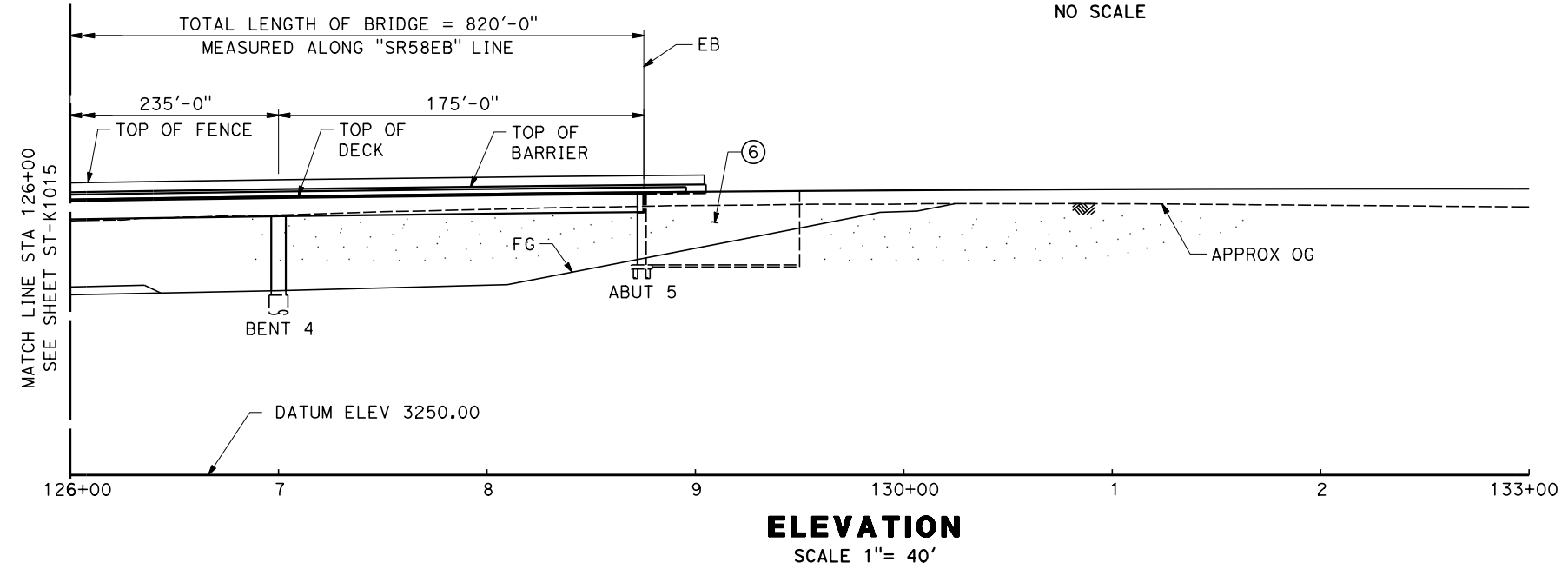
3:18:38 AM

1/21/2021

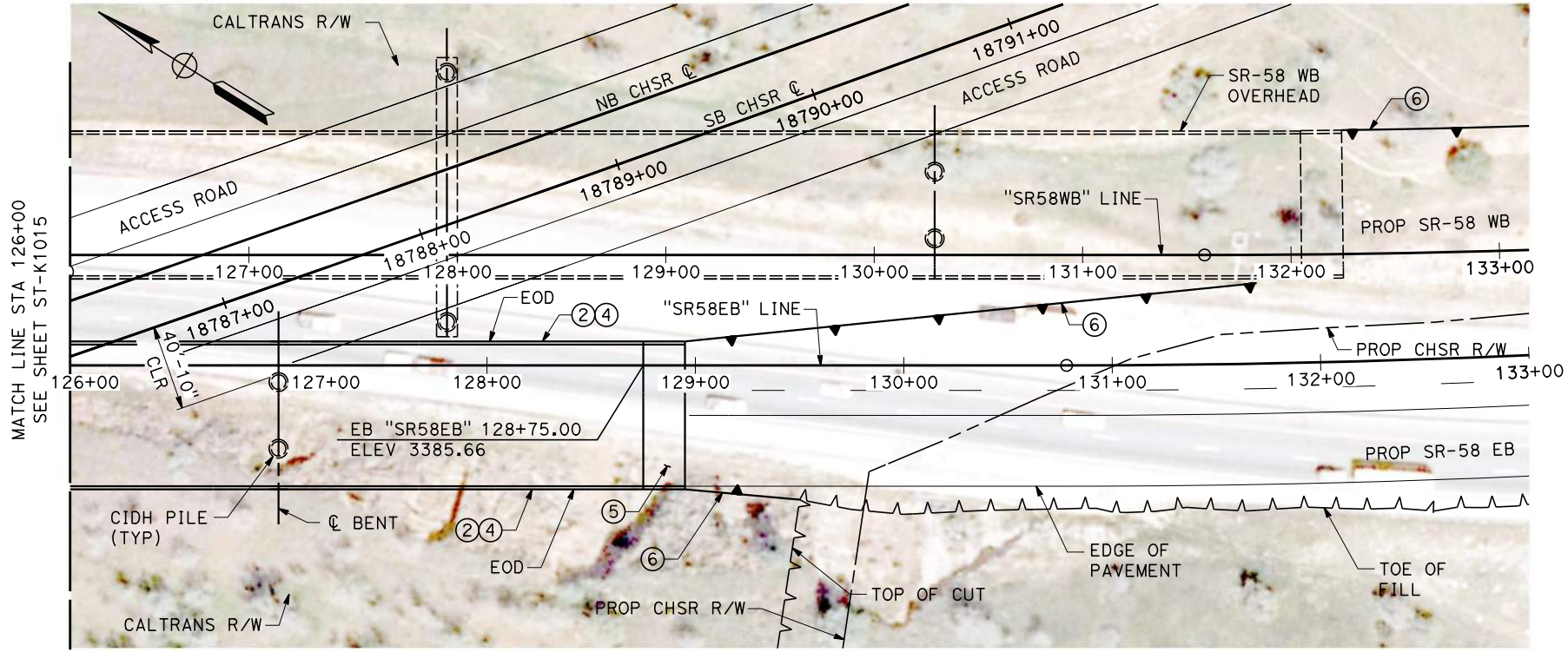
ics_user_17609



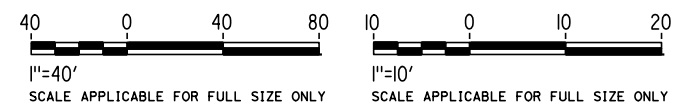
PROFILE GRADE
NO SCALE



ELEVATION
SCALE 1" = 40'



PLAN
SCALE 1" = 40'

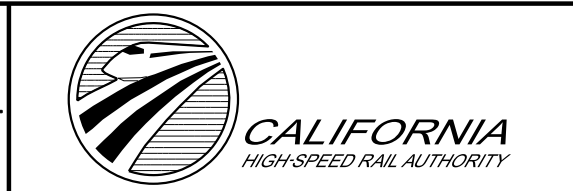


REV	DATE	BY	CHK	APP	DESCRIPTION

DESIGNED BY
R. BARTON
DRAWN BY
B. MOZAFFARIAN
CHECKED BY
D. KASAWDISH
IN CHARGE
G. CAMPBELL
DATE
01/29/2021

RECORD SET
PEPD
SUBMITTAL

NOT FOR
CONSTRUCTION



CALIFORNIA HIGH-SPEED RAIL PROJECT
BAKERSFIELD TO PALMDALE
ALTERNATIVES 1,2,3,5
ROADWAY STRUCTURES
SR 58 EB OVERHEAD
PLAN AND ELEVATION

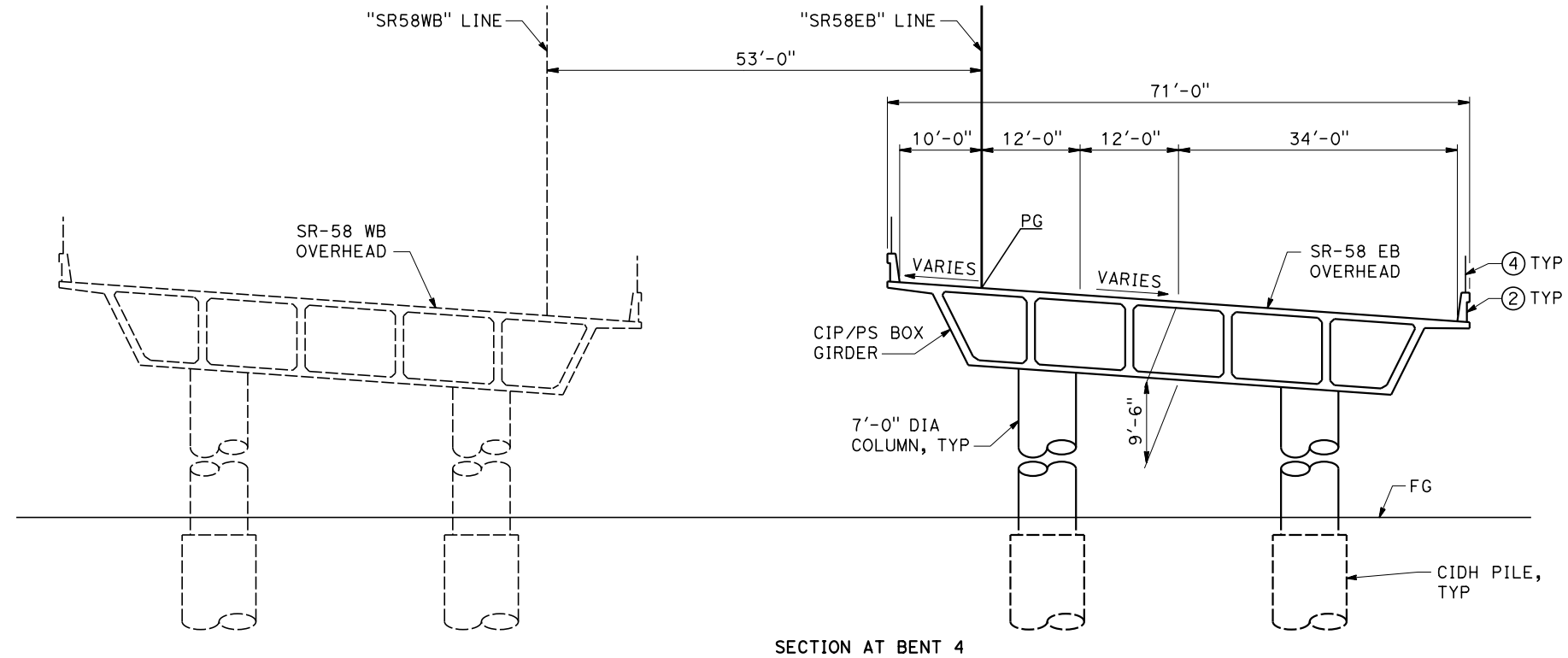
CONTRACT NO.
HSR13-44
DRAWING NO.
ST-K1015A
SCALE
AS SHOWN
SHEET NO.
187

Projects\701206_00_CHSRBP\00_CADD\Sheet Files\ST\BP-ST-K1016

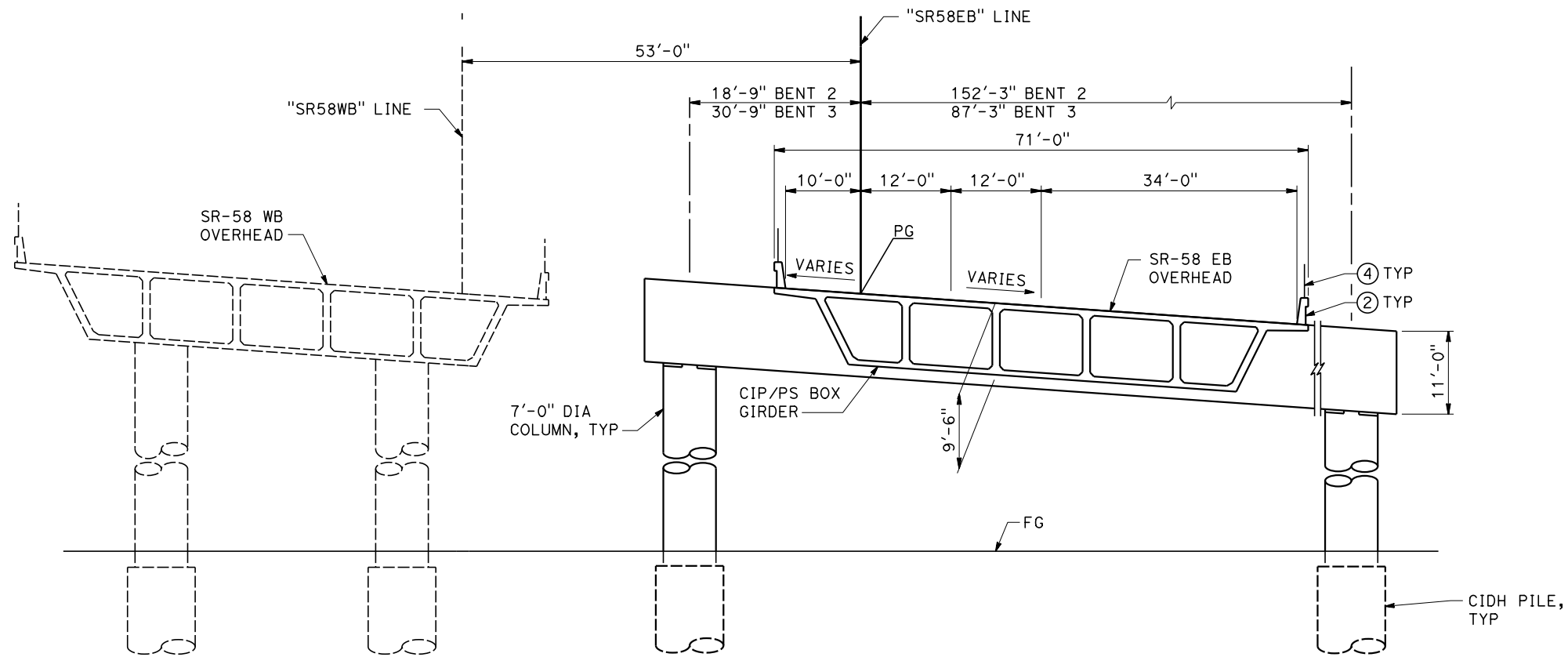
5:14:19 AM

1/20/2021

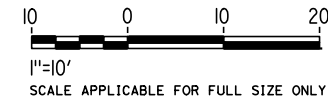
ics_user_17609



SECTION AT BENT 4



SECTION AT BENT 2 & 3
TYPICAL SECTION
SCALE 1" = 10'

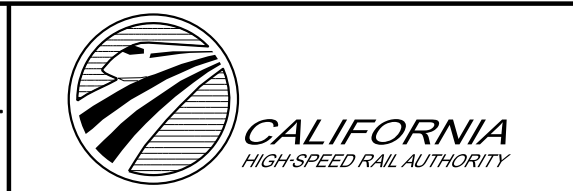


REV	DATE	BY	CHK	APP	DESCRIPTION

DESIGNED BY
R. BARTON
DRAWN BY
B. MOZAFFARIAN
CHECKED BY
D. KASAWDISH
IN CHARGE
G. CAMPBELL
DATE
01/29/2021

**RECORD SET
PEPD
SUBMITTAL**

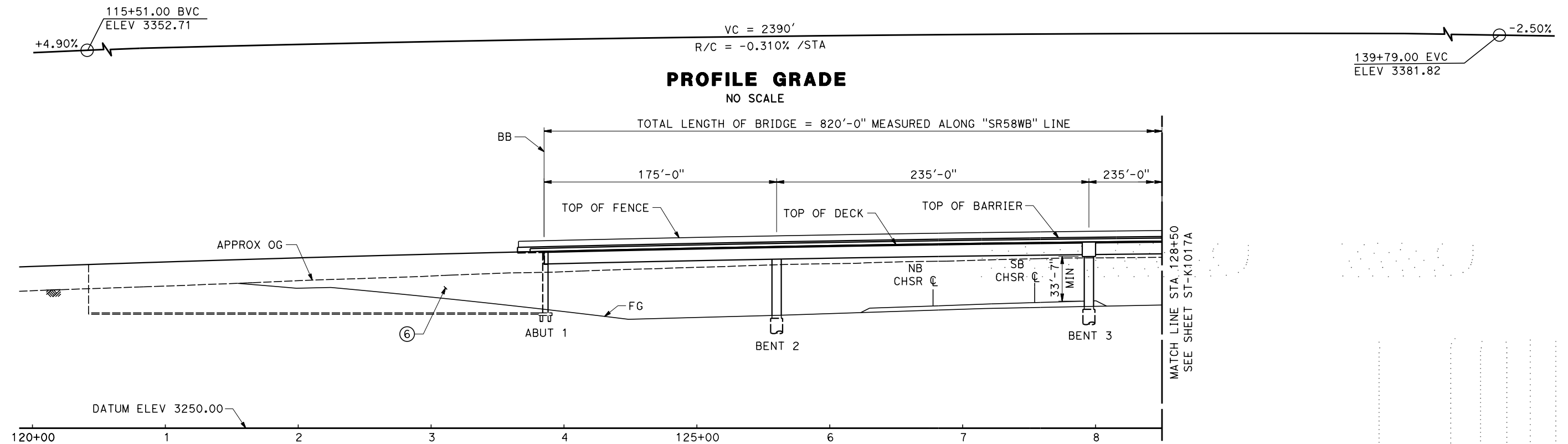
**NOT FOR
CONSTRUCTION**



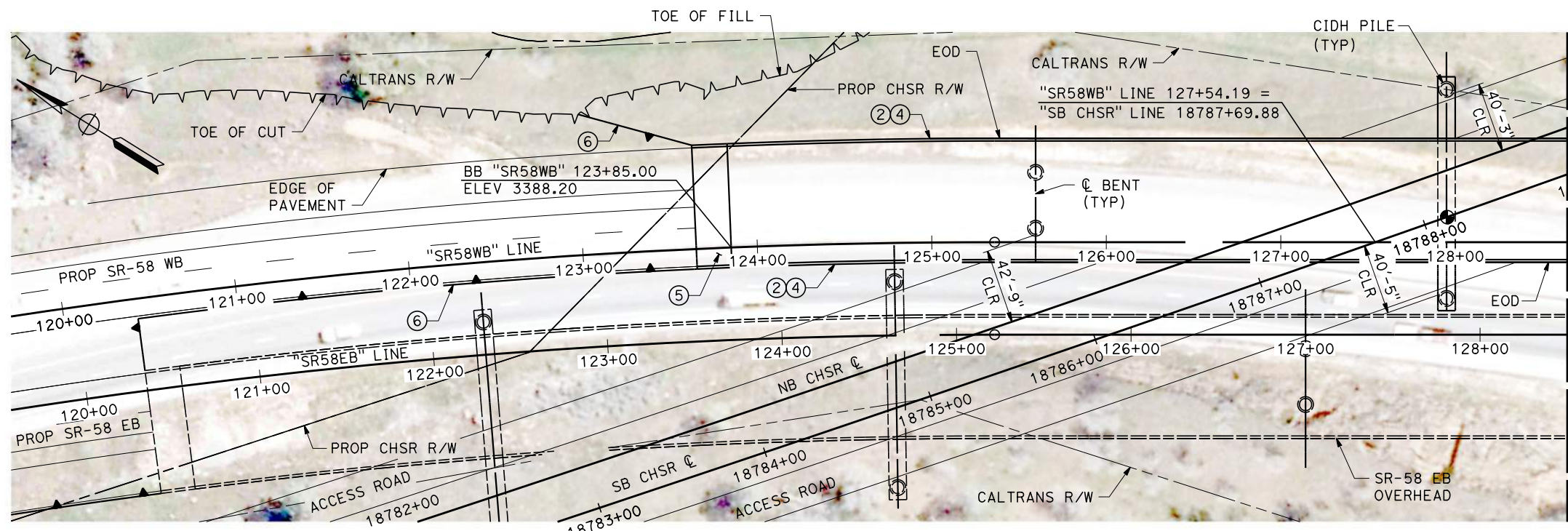
**CALIFORNIA HIGH-SPEED RAIL PROJECT
BAKERSFIELD TO PALMDALE**
ALTERNATIVES 1,2,3,5
ROADWAY STRUCTURES
SR 58 EB OVERHEAD
TYPICAL SECTION

CONTRACT NO.
HSR13-44
DRAWING NO.
ST-K1016
SCALE
AS SHOWN
SHEET NO.
188

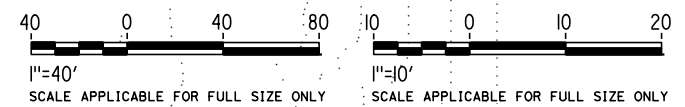
Projects\701206_00_CHSRBP\00_CADD\Sheet Files\ST\BP-ST-K1017
 1/21/2021 3:16:50 AM
 .ics_user_17609



ELEVATION
 SCALE 1" = 40'



PLAN
 SCALE 1" = 40'



REV	DATE	BY	CHK	APP	DESCRIPTION

DESIGNED BY
R. BARTON
 DRAWN BY
B. MOZAFFARIAN
 CHECKED BY
D. KASAWDISH
 IN CHARGE
G. CAMPBELL
 DATE
01/29/2021

RECORD SET
PEPD
SUBMITTAL

NOT FOR
CONSTRUCTION



CALIFORNIA HIGH-SPEED RAIL PROJECT
BAKERSFIELD TO PALMDALE
 ALTERNATIVES 1,2,3,5
 ROADWAY STRUCTURES
 SB 58 WB OVERHEAD
 PLAN AND ELEVATION

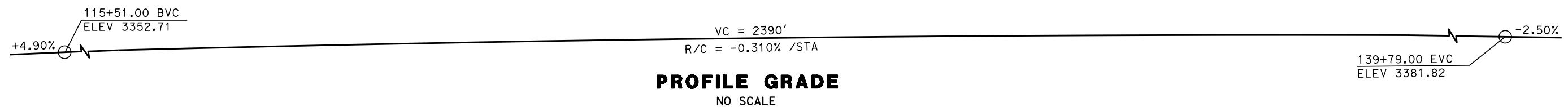
CONTRACT NO.
HSR13-44
 DRAWING NO.
ST-K1017
 SCALE
AS SHOWN
 SHEET NO.
189

Projects\701206_00_CHSRBP\00_CADD\Sheet Files\ST\BP-ST-K1017A

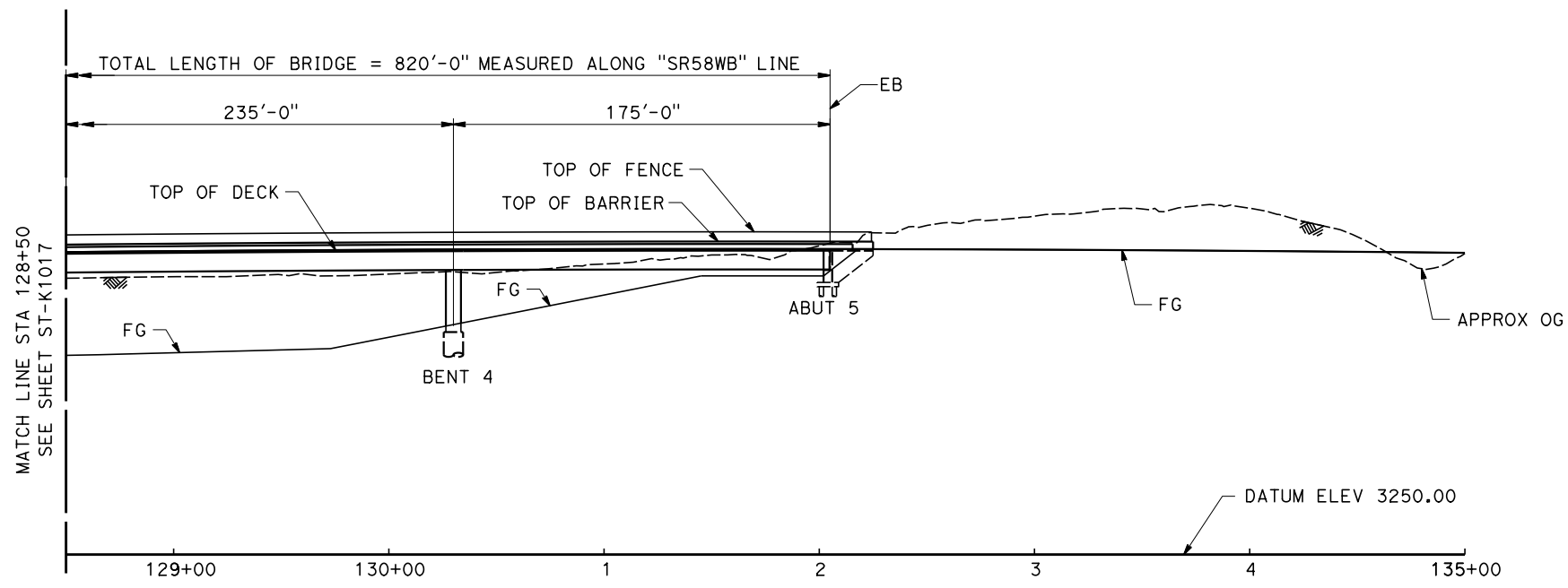
6:15:02 AM

1/28/2021

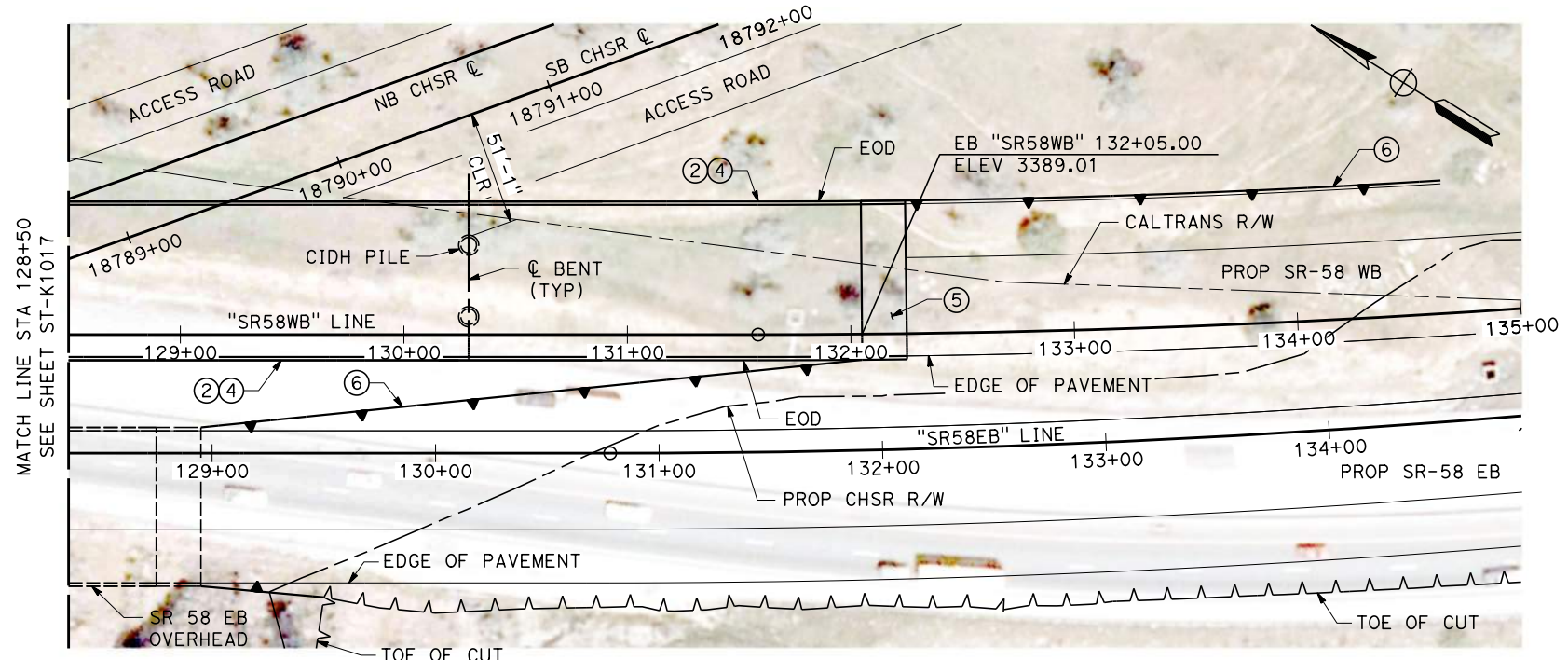
ics_user_17609



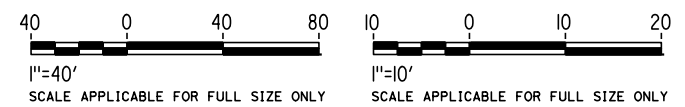
PROFILE GRADE
NO SCALE



ELEVATION
SCALE 1"= 40'



PLAN
SCALE 1"= 40'



REV	DATE	BY	CHK	APP	DESCRIPTION

DESIGNED BY
R. BARTON
DRAWN BY
B. MOZAFFARIAN
CHECKED BY
D. KASAWDISH
IN CHARGE
G. CAMPBELL
DATE
01/29/2021

RECORD SET
PEPD
SUBMITTAL

NOT FOR
CONSTRUCTION



CALIFORNIA HIGH-SPEED RAIL PROJECT
SEGMENT/SUBDIVISION
ALTERNATIVES 1,2,3,5
ROADWAY STRUCTURES
SB 58 WB OVERHEAD
PLAN AND ELEVATION

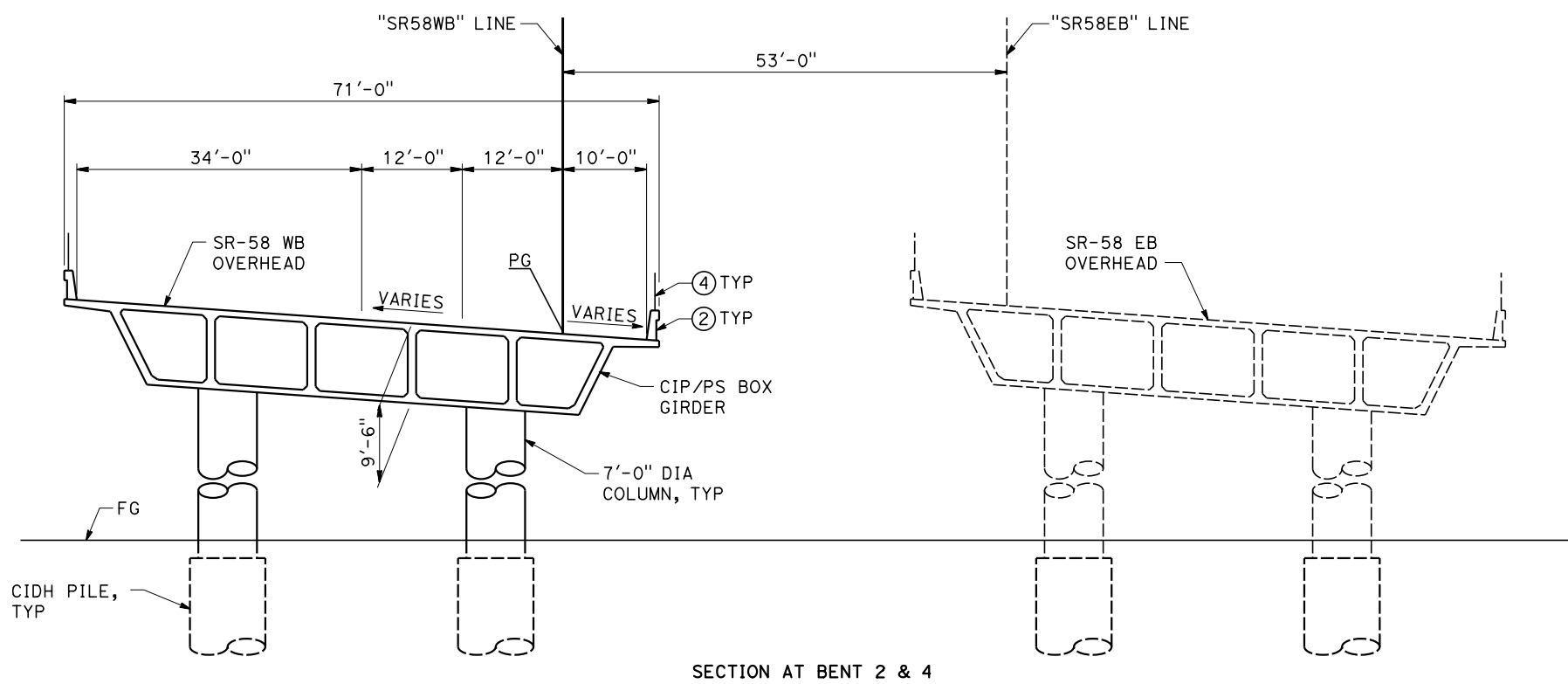
CONTRACT NO.
HSR13-44
DRAWING NO.
ST-K1017A
SCALE
AS SHOWN
SHEET NO.
190

Projects\701206.00_CHSRBP\00_CADD\Sheet Files\ST\BP-ST-K1018

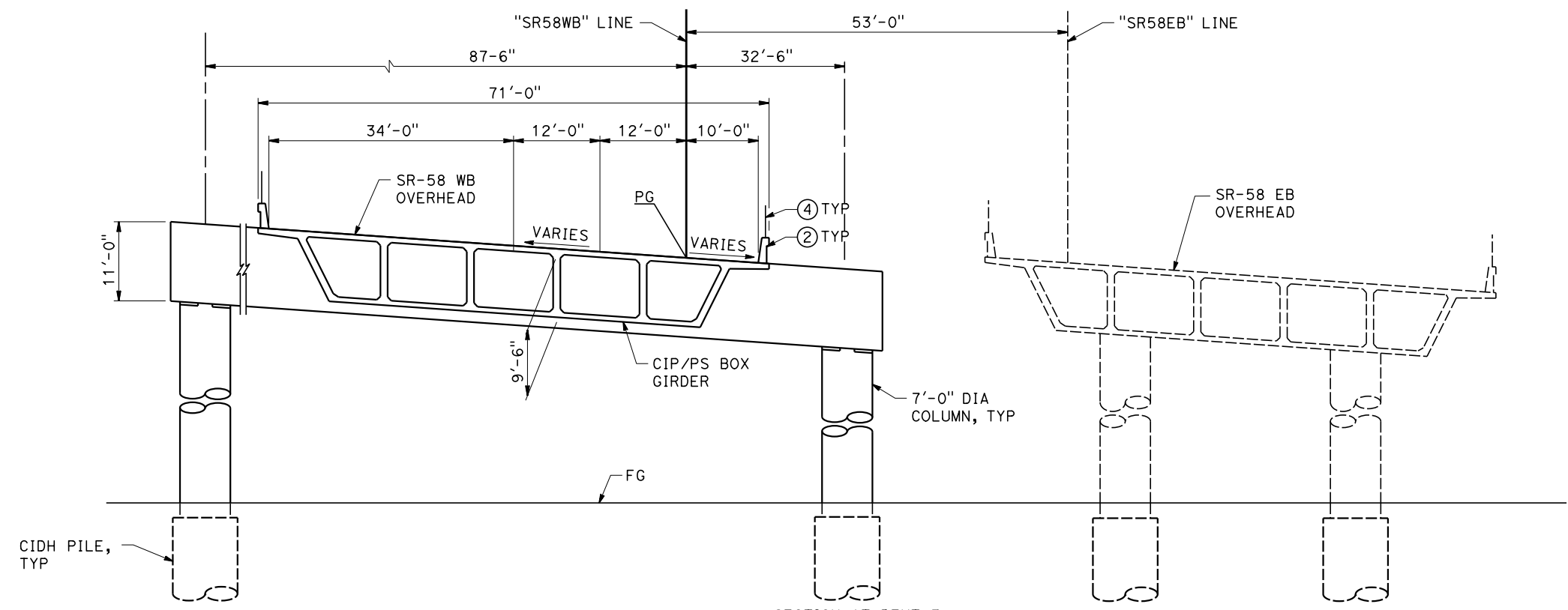
5:14:11 AM

1/20/2021

ics_user_17609

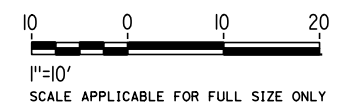


SECTION AT BENT 2 & 4



SECTION AT BENT 3

TYPICAL SECTION
SCALE 1" = 10'



REV	DATE	BY	CHK	APP	DESCRIPTION

DESIGNED BY
R. BARTON
DRAWN BY
B. MOZAFFARIAN
CHECKED BY
D. KASAWDISH
IN CHARGE
G. CAMPBELL
DATE
01/29/2021

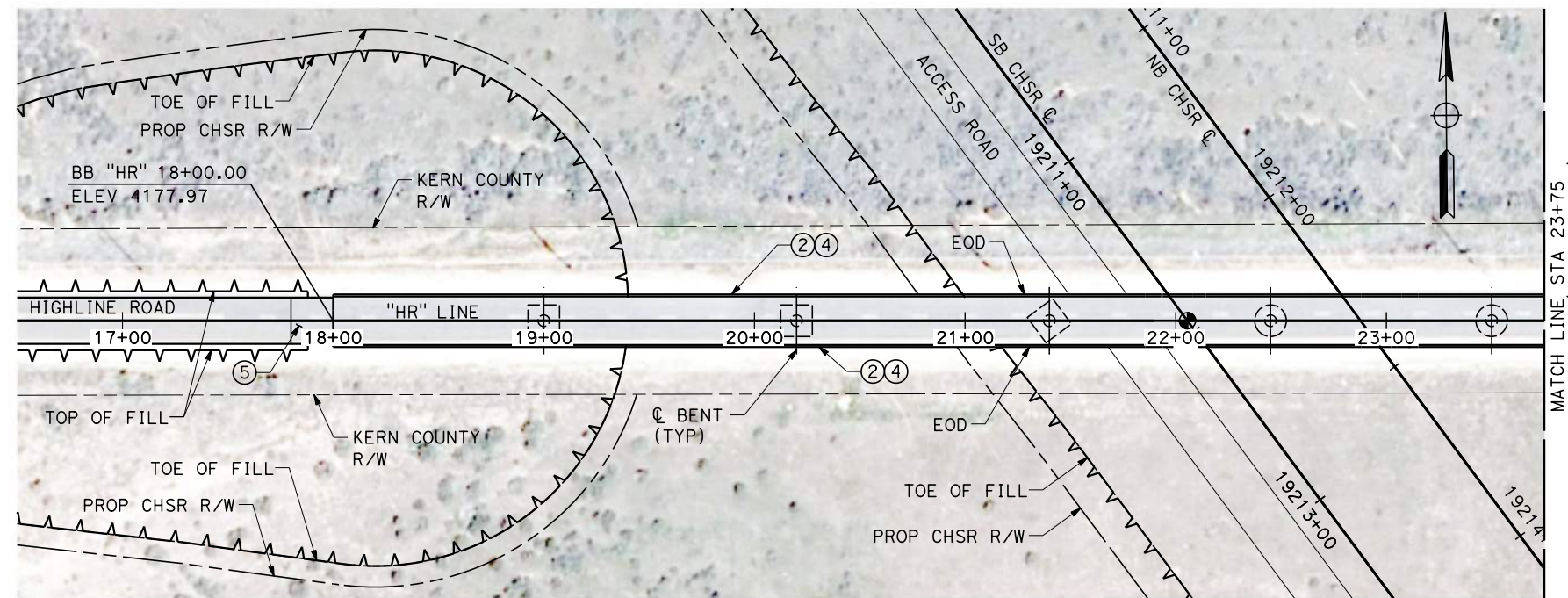
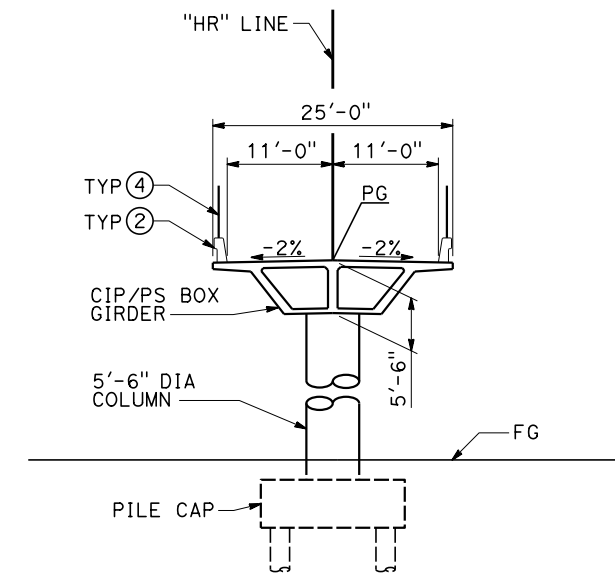
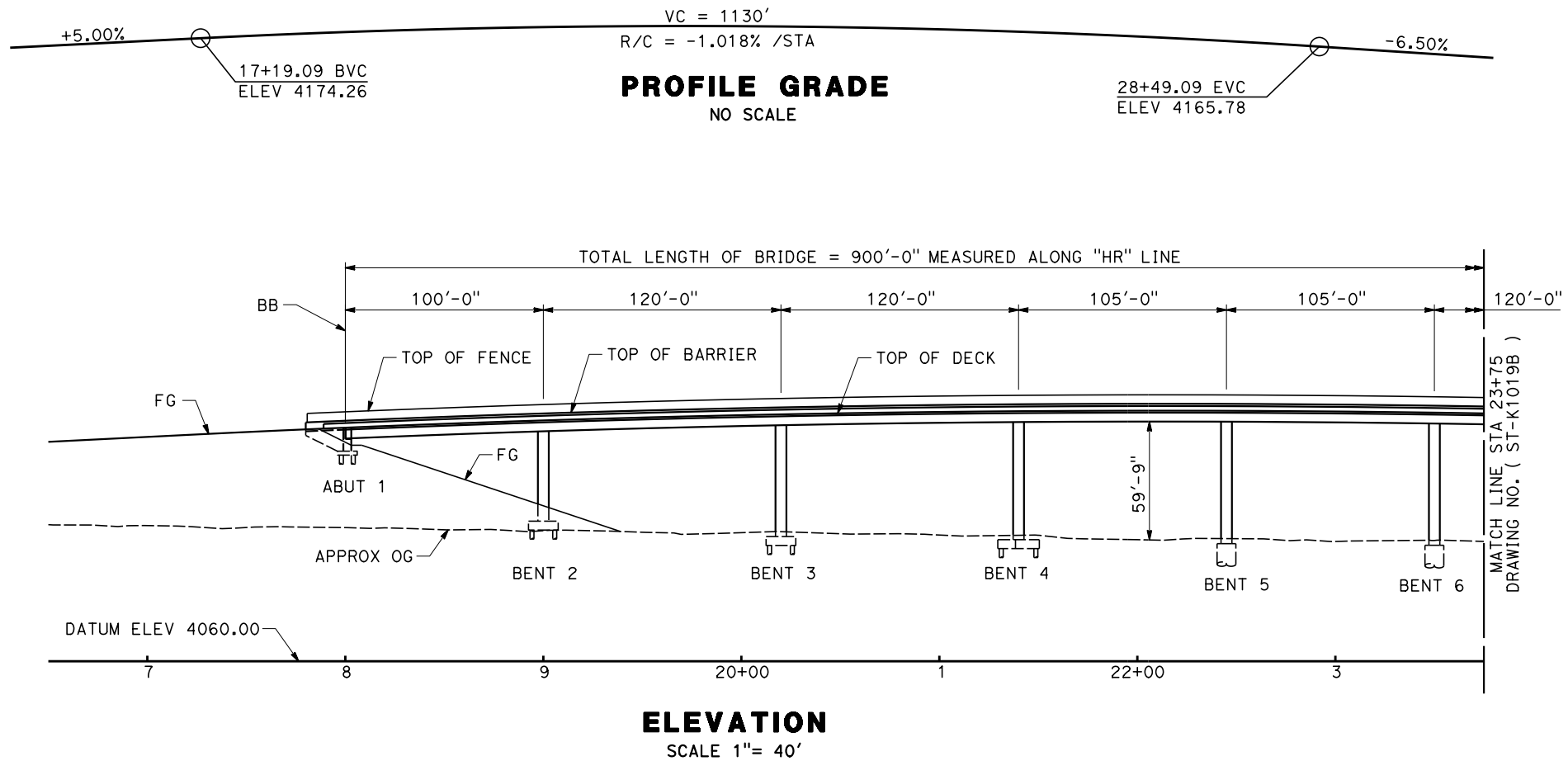
RECORD SET
PEPD
SUBMITTAL

NOT FOR
CONSTRUCTION



CALIFORNIA HIGH-SPEED RAIL PROJECT
BAKERSFIELD TO PALMDALE
ALTERNATIVES 1,2,3,5
ROADWAY STRUCTURES
SR 58 WB OVERHEAD
TYPICAL SECTION

CONTRACT NO.
HSR13-44
DRAWING NO.
ST-K1018
SCALE
AS SHOWN
SHEET NO.
191



Projects\701206_00_CHSRBP\00_CADD\Sheet_Files\ST\BP-ST-K1019A

3:18:55 AM

1/21/2021

ics_user_17609

REV	DATE	BY	CHK	APP	DESCRIPTION

DESIGNED BY
R. BARTON

DRAWN BY
B. MOZAFFARIAN

CHECKED BY
D. KASAWDISH

IN CHARGE
G. CAMPBELL

DATE
01/29/2021

RECORD SET
PEPD
SUBMITTAL

NOT FOR
CONSTRUCTION



CALIFORNIA HIGH-SPEED RAIL PROJECT
BAKERSFIELD TO PALMDALE

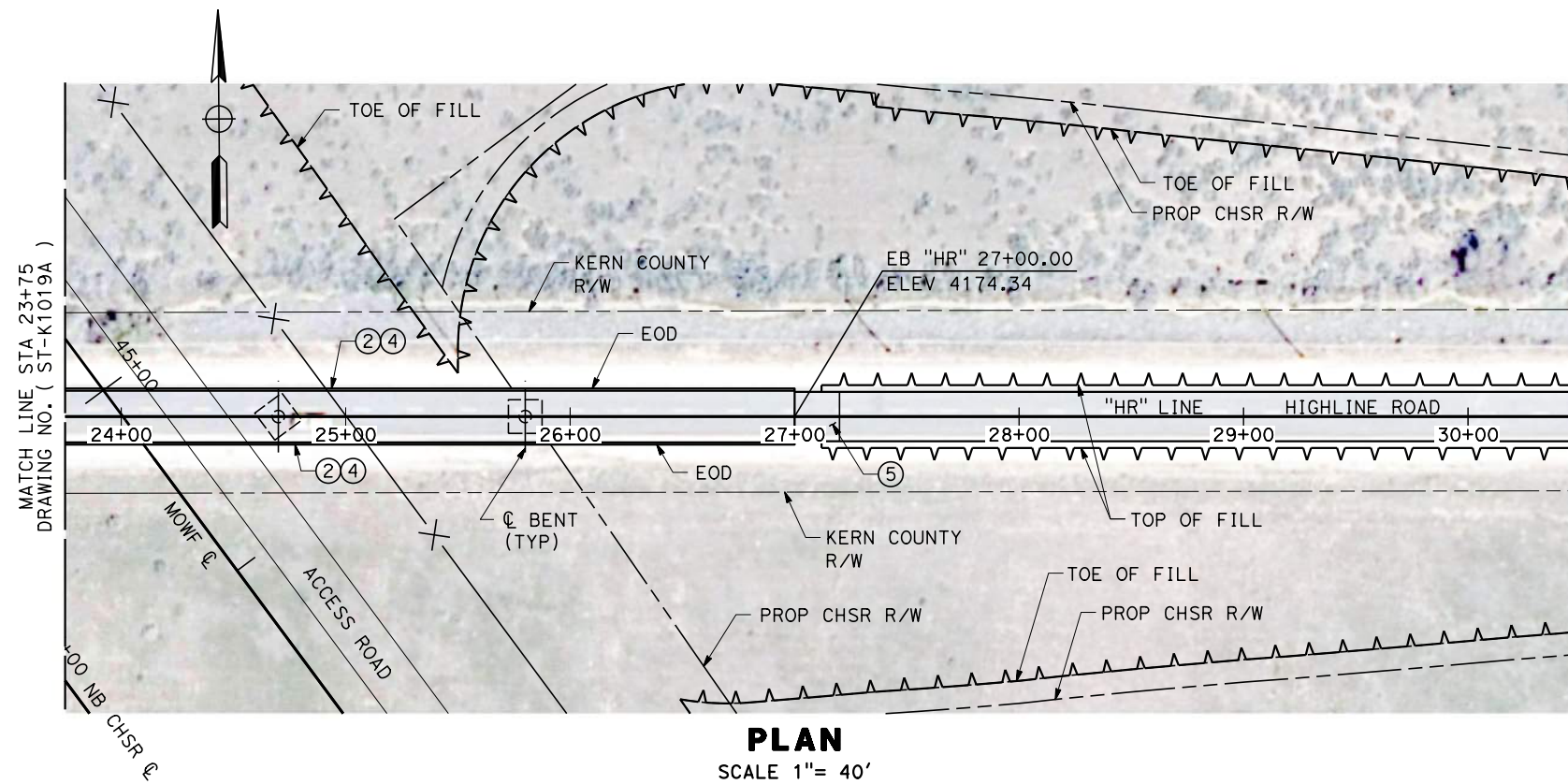
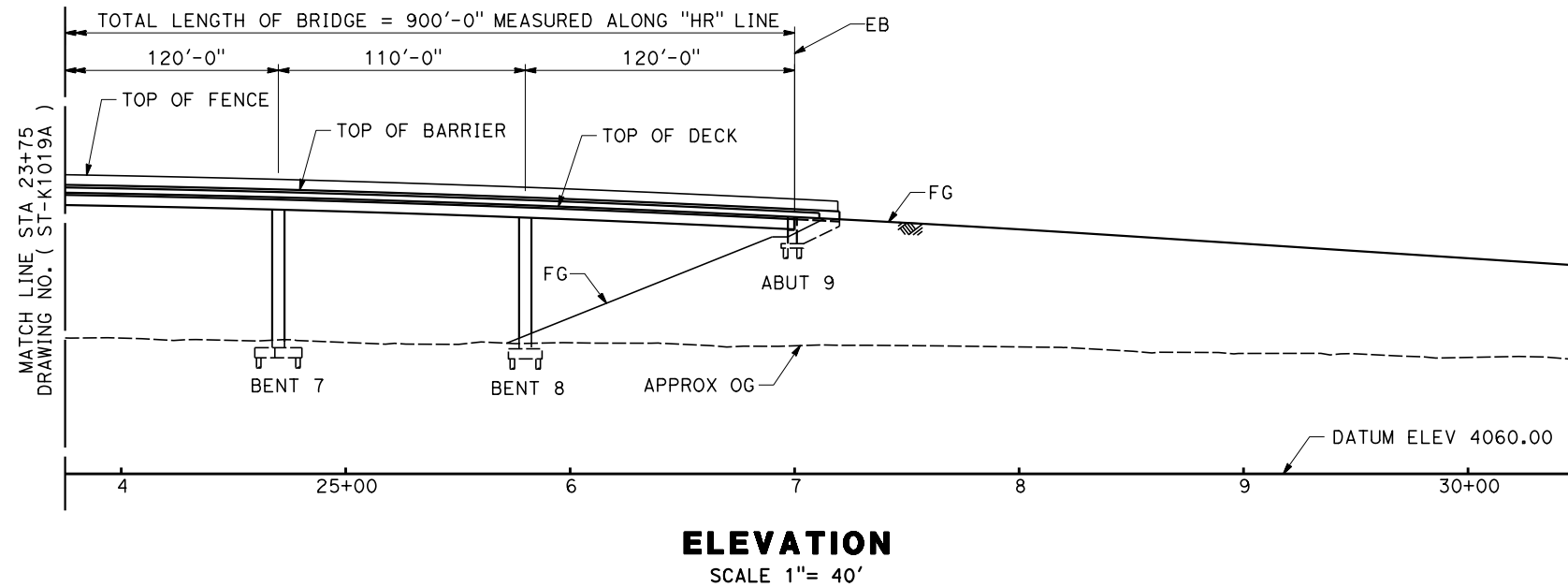
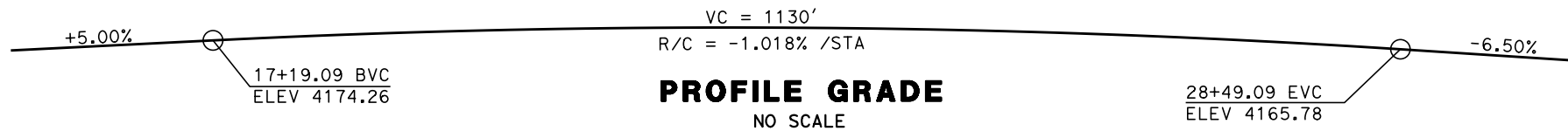
ALTERNATIVES 1,2,3,5
ROADWAY STRUCTURES
HIGHLINE ROAD OVERHEAD
PLAN AND ELEVATION

CONTRACT NO.
HSR13-44

DRAWING NO.
ST-K1019A

SCALE
AS SHOWN

SHEET NO.
192



Projects\701206.00_CHSRBP\00_CADD\Sheet_Files\ST\BP-ST-K1019B

3:19:26 AM

1/21/2021

ics_user_17609

REV	DATE	BY	CHK	APP	DESCRIPTION

DESIGNED BY
R. BARTON
DRAWN BY
B. MOZAFFARIAN
CHECKED BY
D. KASAWDISH
IN CHARGE
G. CAMPBELL
DATE
01/29/2021

RECORD SET
PEPD
SUBMITTAL

NOT FOR
CONSTRUCTION

TYLIN INTERNATIONAL



CALIFORNIA HIGH-SPEED RAIL PROJECT
BAKERSFIELD TO PALMDALE
ALTERNATIVES 1,2,3,5
ROADWAY STRUCTURES
HIGHLINE ROAD OVERHEAD
PLAN AND ELEVATION

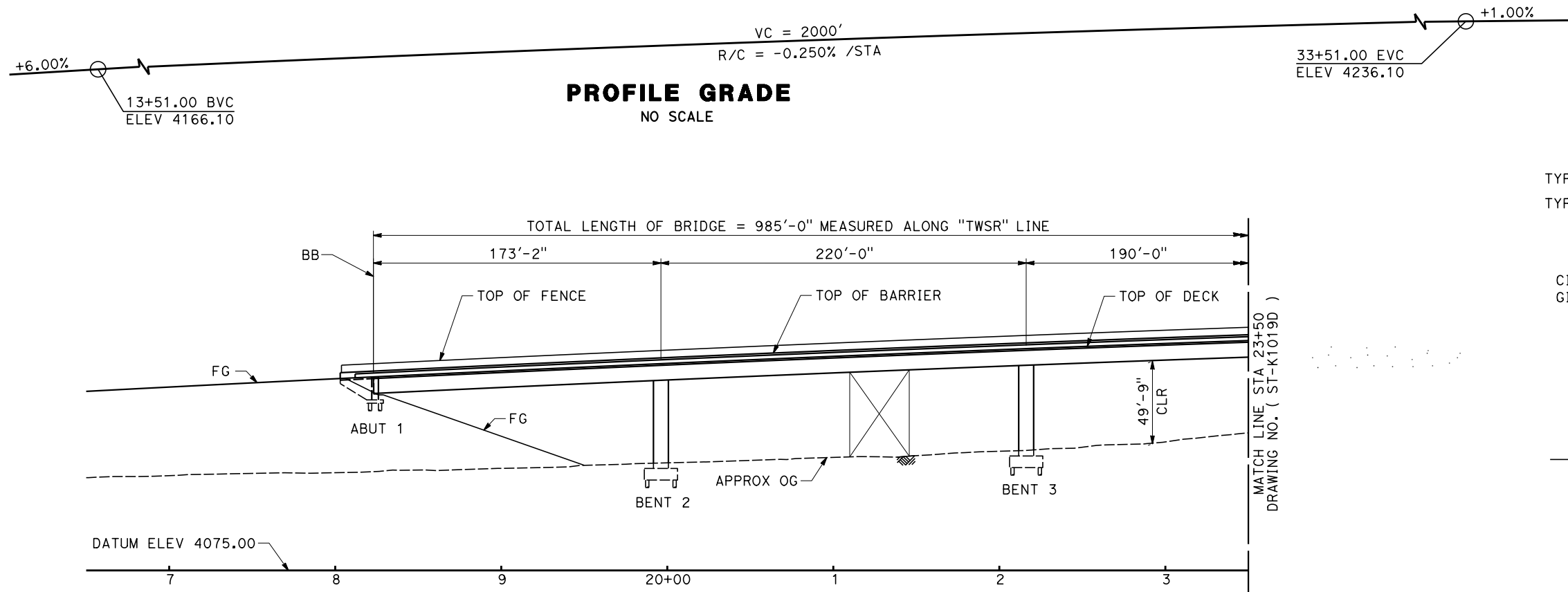
CONTRACT NO.
HSR13-44
DRAWING NO.
ST-K1019B
SCALE
AS SHOWN
SHEET NO.
193

Projects\701206_00_CHSRBP\00_CADD\Sheet_Files\ST\BP-ST-K1019C

3:05:07 AM

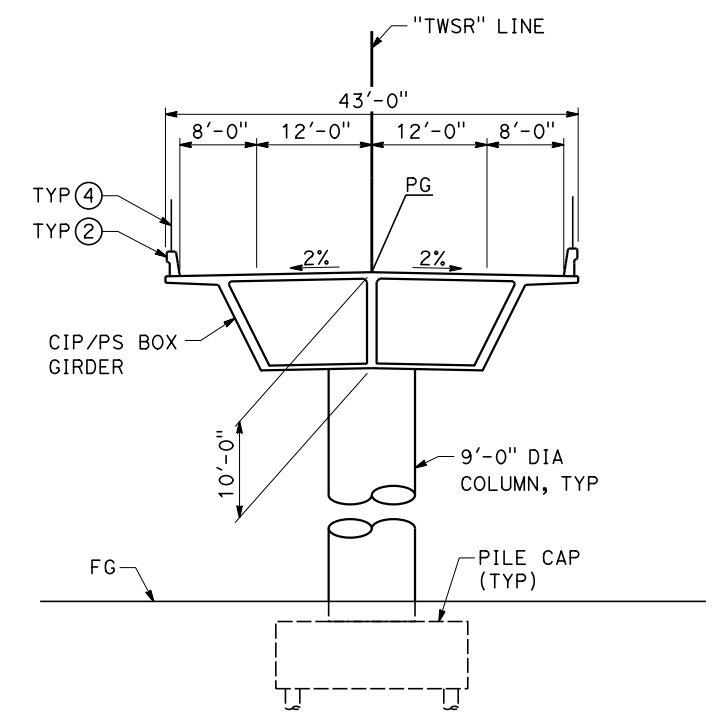
1/22/2021

ics_user_17609

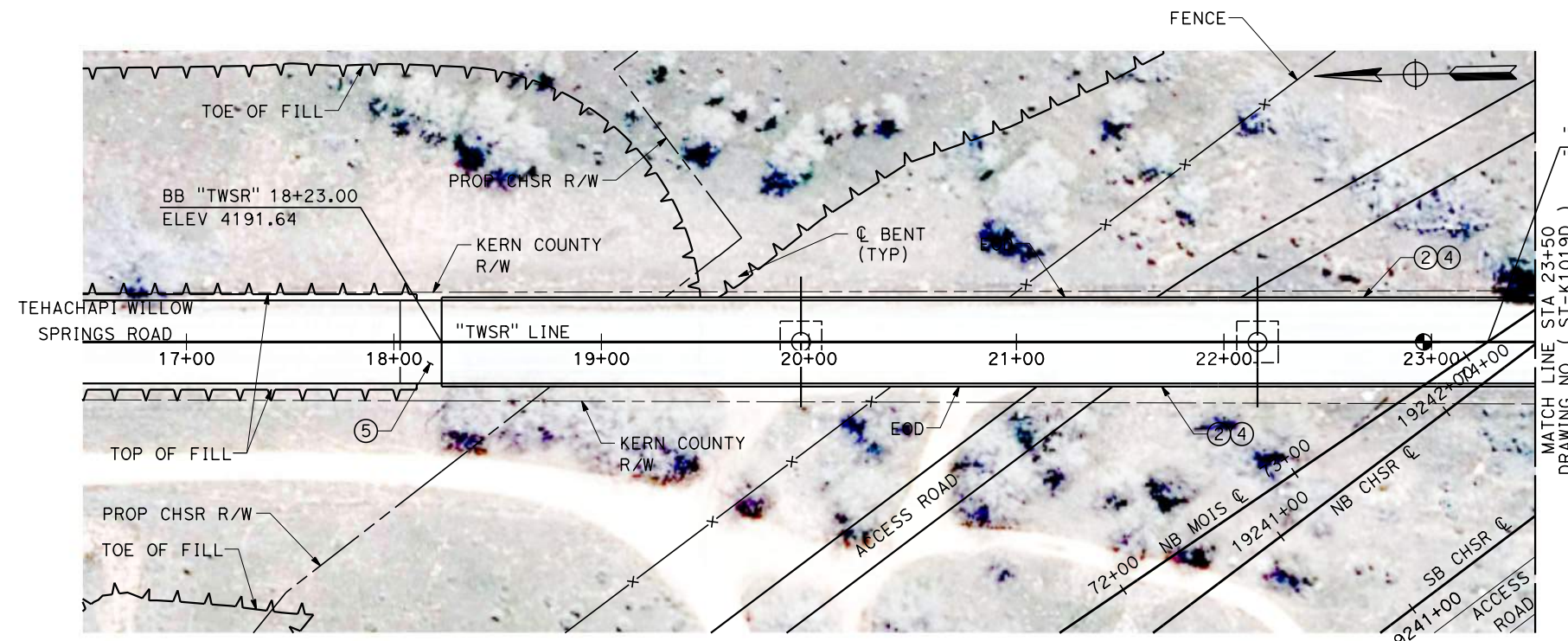


PROFILE GRADE
NO SCALE

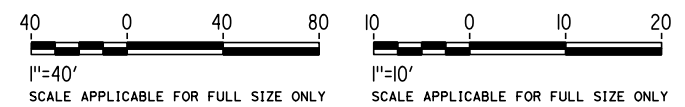
ELEVATION
SCALE 1" = 40'



TYPICAL SECTION
SCALE 1" = 10'



PLAN
SCALE 1" = 40'



REV	DATE	BY	CHK	APP	DESCRIPTION

DESIGNED BY
R. BARTON
DRAWN BY
B. MOZAFFARIAN
CHECKED BY
D. KASAWDISH
IN CHARGE
G. CAMPBELL
DATE
01/29/2021

RECORD SET
PEPD
SUBMITTAL

NOT FOR
CONSTRUCTION



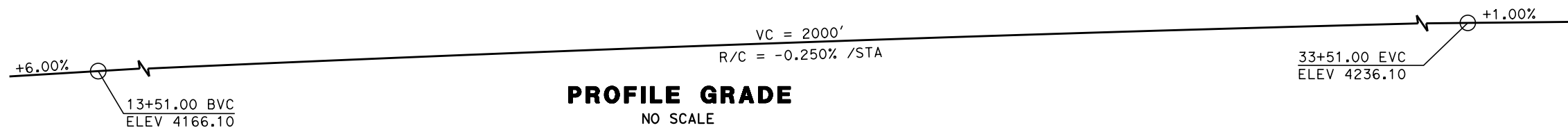
CALIFORNIA HIGH-SPEED RAIL PROJECT
BAKERSFIELD TO PALMDALE
ALTERNATIVES 1,2,3,5
ROADWAY STRUCTURES
TEHACHAPI WILLOW SPRINGS ROAD OVERHEAD
PLAN AND ELEVATION

CONTRACT NO.
HSR13-44
DRAWING NO.
ST-K1019C
SCALE
AS SHOWN
SHEET NO.
194

Projects\701206_00_CHSRBP\00_CADD\Sheet_Files\ST\BP-ST-K1019D

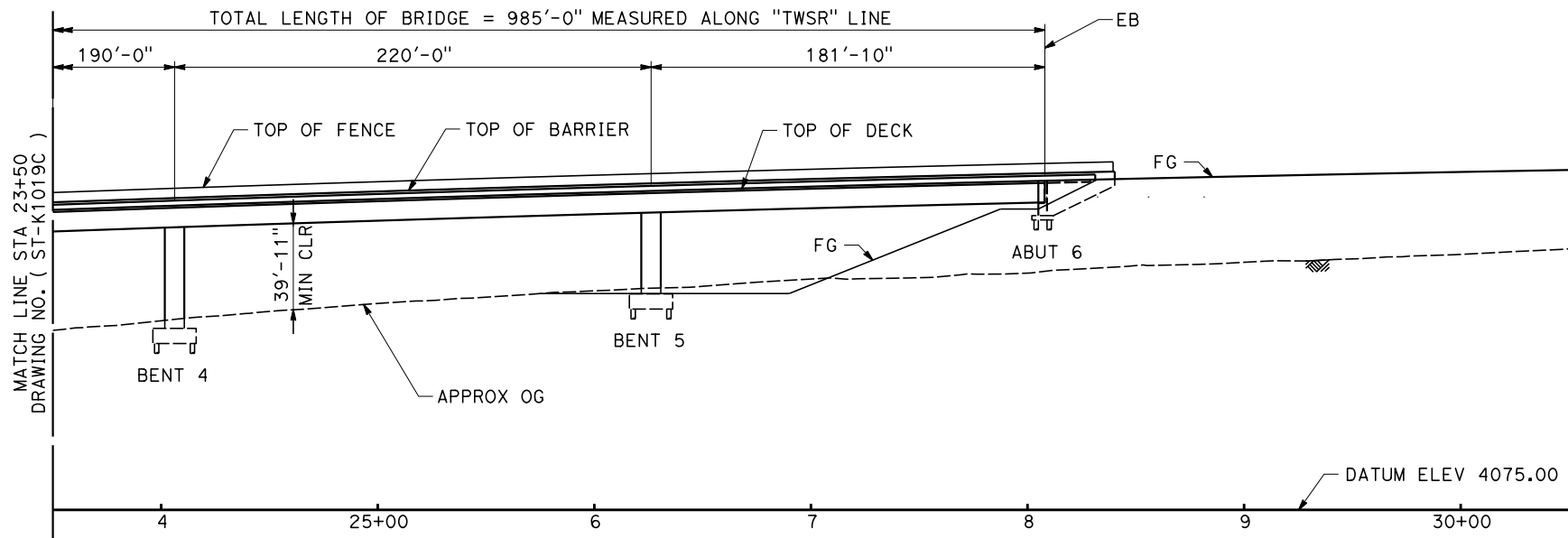
1/22/2021 3:05:05 AM

ics_user_17609



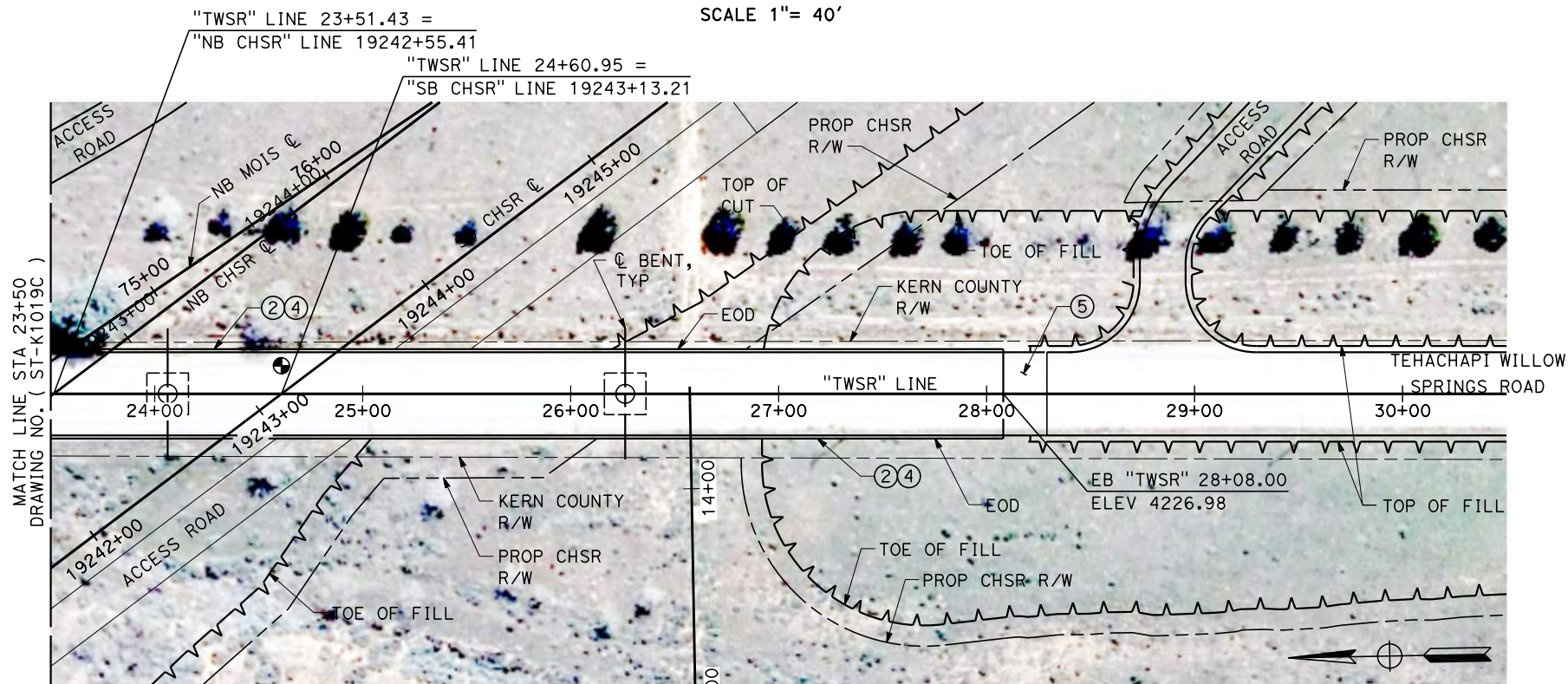
PROFILE GRADE

NO SCALE



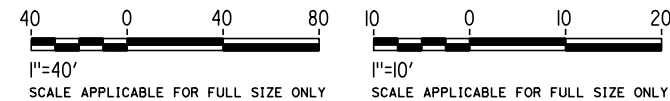
ELEVATION

SCALE 1" = 40'



PLAN

SCALE 1" = 40'



REV	DATE	BY	CHK	APP	DESCRIPTION

DESIGNED BY
R. BARTON
DRAWN BY
B. MOZAFFARIAN
CHECKED BY
D. KASAWDISH
IN CHARGE
G. CAMPBELL
DATE
01/29/2021

RECORD SET
PEPD
SUBMITTAL

NOT FOR
CONSTRUCTION



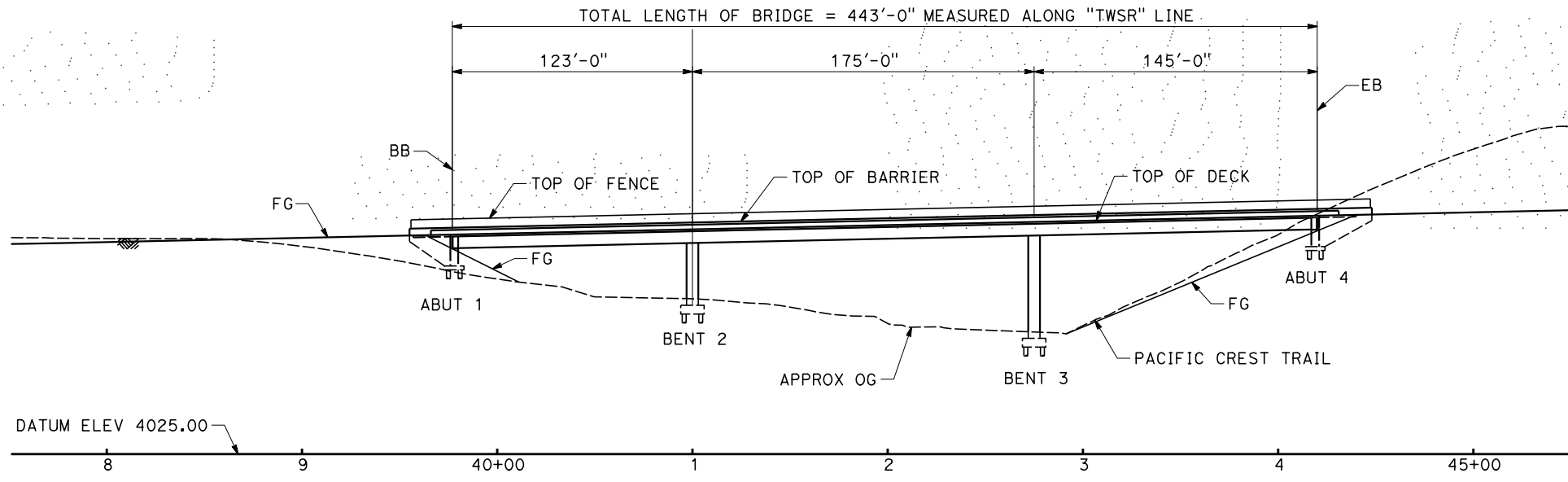
CALIFORNIA HIGH-SPEED RAIL PROJECT
BAKERSFIELD TO PALMDALE
ALTERNATIVES 1,2,3,5
ROADWAY STRUCTURES
TEHACHAPI WILLOW SPRINGS ROAD OVERHEAD
PLAN AND ELEVATION

CONTRACT NO.
HSR13-44
DRAWING NO.
ST-K1019D
SCALE
AS SHOWN
SHEET NO.
195

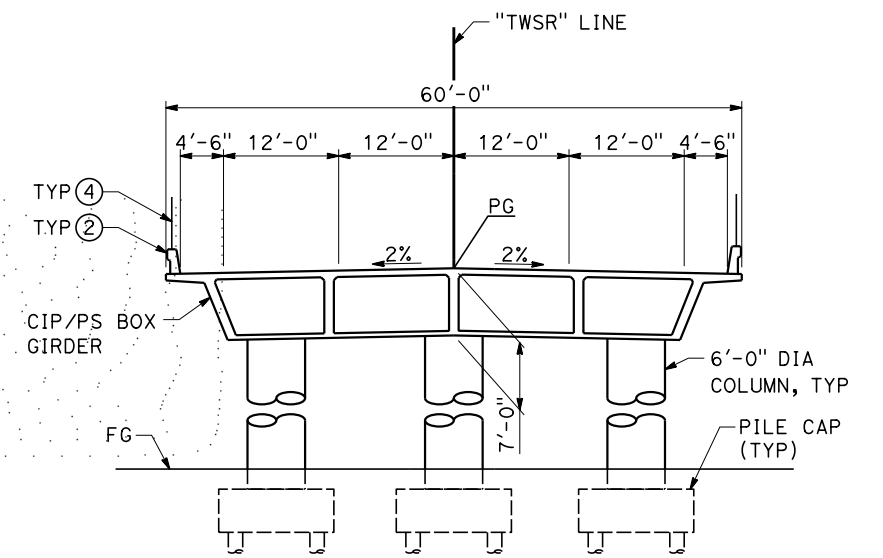
37+92.61 EVC
ELEV 4133.37

+2.18%

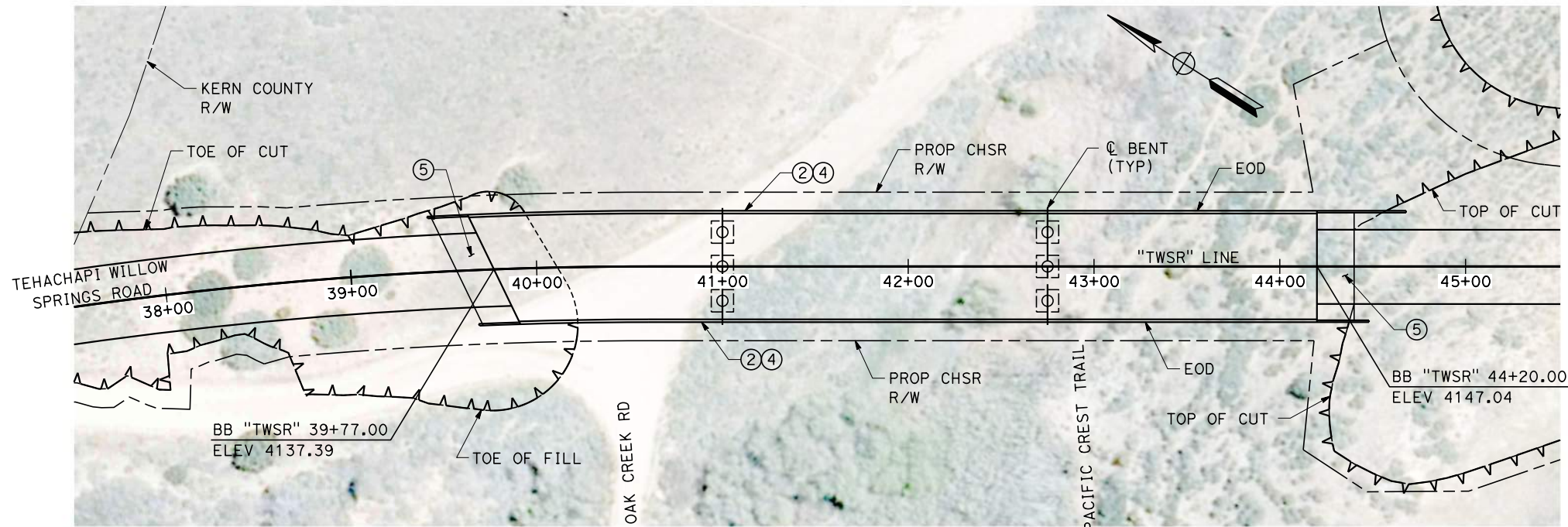
PROFILE GRADE
NO SCALE



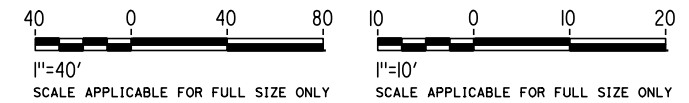
ELEVATION
SCALE 1" = 40'



TYPICAL SECTION
SCALE 1" = 10'



PLAN
SCALE 1" = 40'



Projects\701206_00_CHSRBP\00_CADD\Sheet Files\ST\BP-ST-K1019E

3:04:41 AM

1/22/2021

ics_user_17609

REV	DATE	BY	CHK	APP	DESCRIPTION

DESIGNED BY
R. BARTON

DRAWN BY
B. MOZAFFARIAN

CHECKED BY
D. KASAWDISH

IN CHARGE
G. CAMPBELL

DATE
01/29/2021

RECORD SET
PEPD
SUBMITTAL

NOT FOR
CONSTRUCTION



CALIFORNIA HIGH-SPEED RAIL PROJECT
BAKERSFIELD TO PALMDALE
ALTERNATIVES 1,2,3,5
ROADWAY STRUCTURES
TEHACHAPI WILLOW SPRINGS ROAD OVERCROSSING
PLAN AND ELEVATION

CONTRACT NO.
HSR13-44

DRAWING NO.
ST-K1019E

SCALE
AS SHOWN

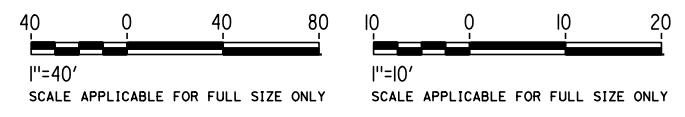
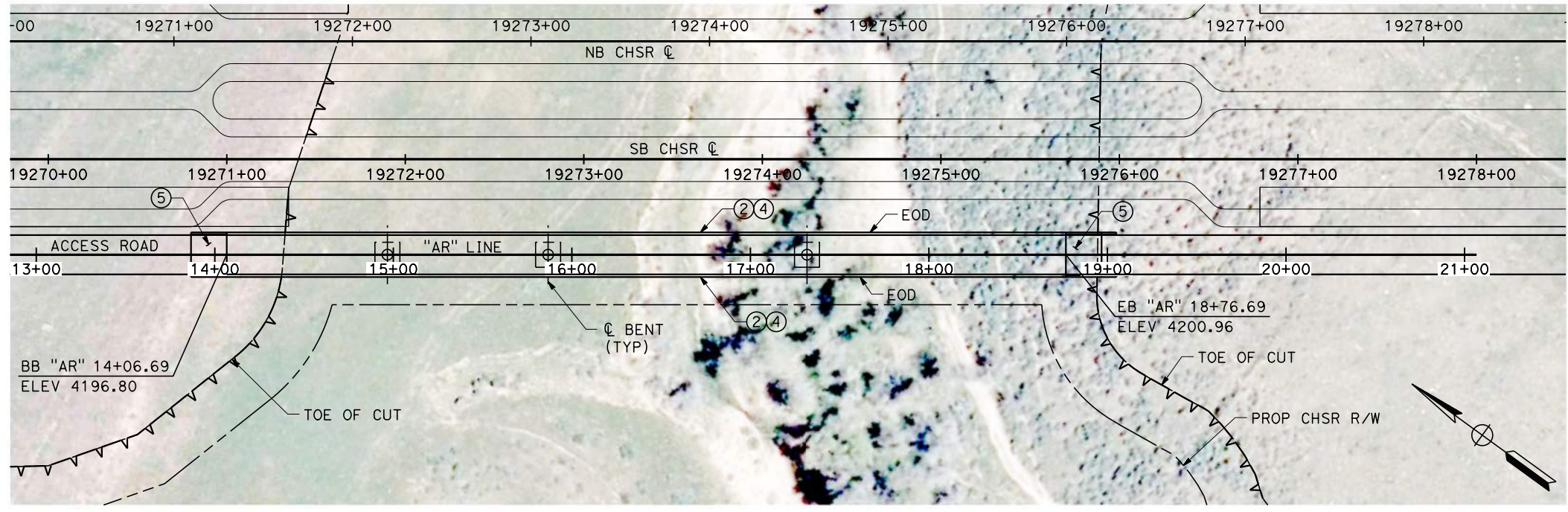
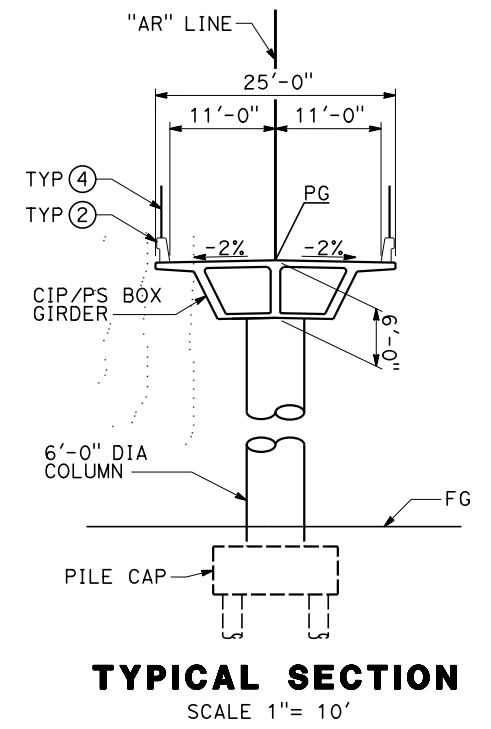
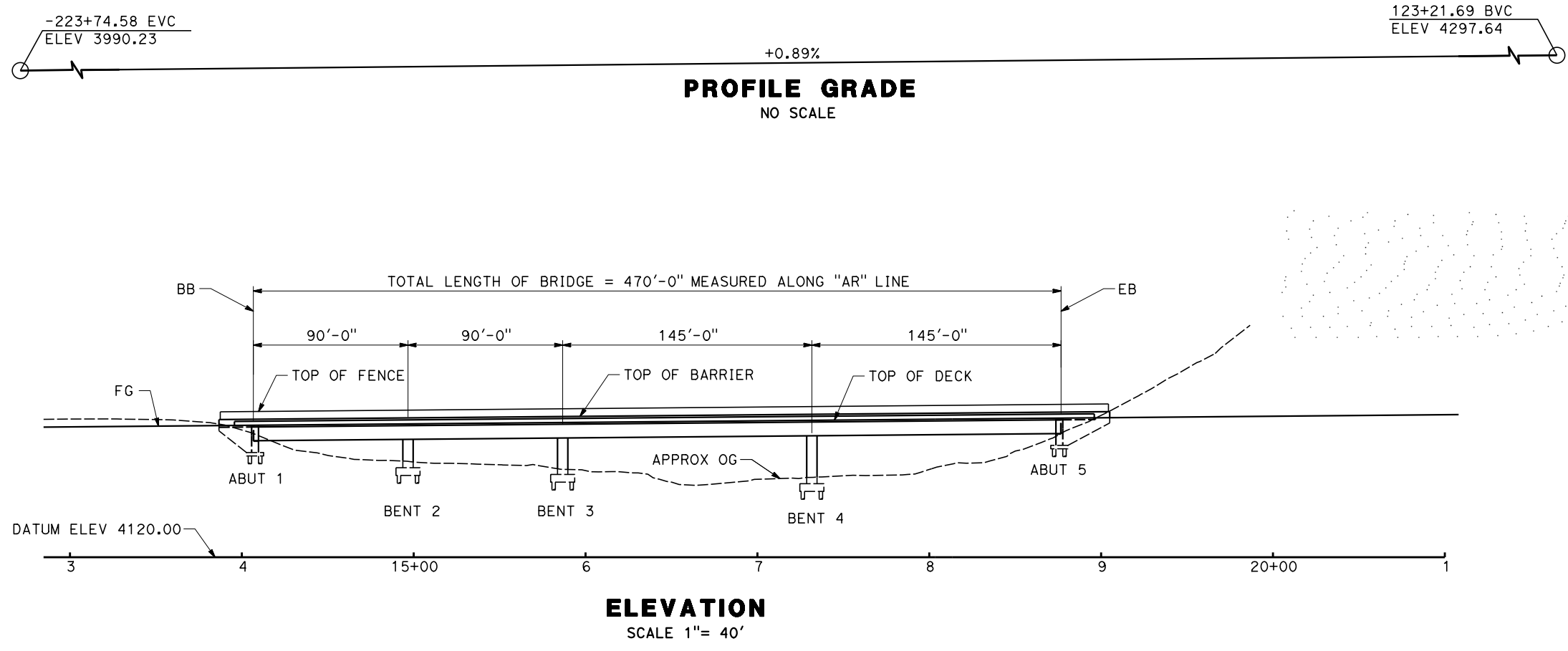
SHEET NO.
196

Projects\701206_00_CHSRBP\00_CADD\Sheet_Files\ST\BP-ST-K1019F

3:18:22 AM

1/21/2021

ics_user_17609

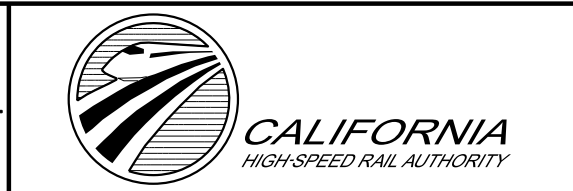


REV	DATE	BY	CHK	APP	DESCRIPTION

DESIGNED BY
R. BARTON
DRAWN BY
B. MOZAFFARIAN
CHECKED BY
D. KASAWDISH
IN CHARGE
G. CAMPBELL
DATE
01/29/2021

RECORD SET
PEPD
SUBMITTAL

NOT FOR
CONSTRUCTION



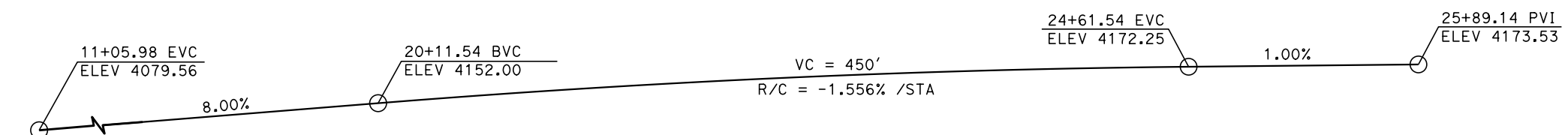
CALIFORNIA HIGH-SPEED RAIL PROJECT
BAKERSFIELD TO PALMDALE
ALTERNATIVES 1,3,5
ROADWAY STRUCTURES
TUNNEL ACCESS ROAD BRIDGE
PLAN AND ELEVATION

CONTRACT NO.
HSR13-44
DRAWING NO.
ST-K1019F
SCALE
AS SHOWN
SHEET NO.
197

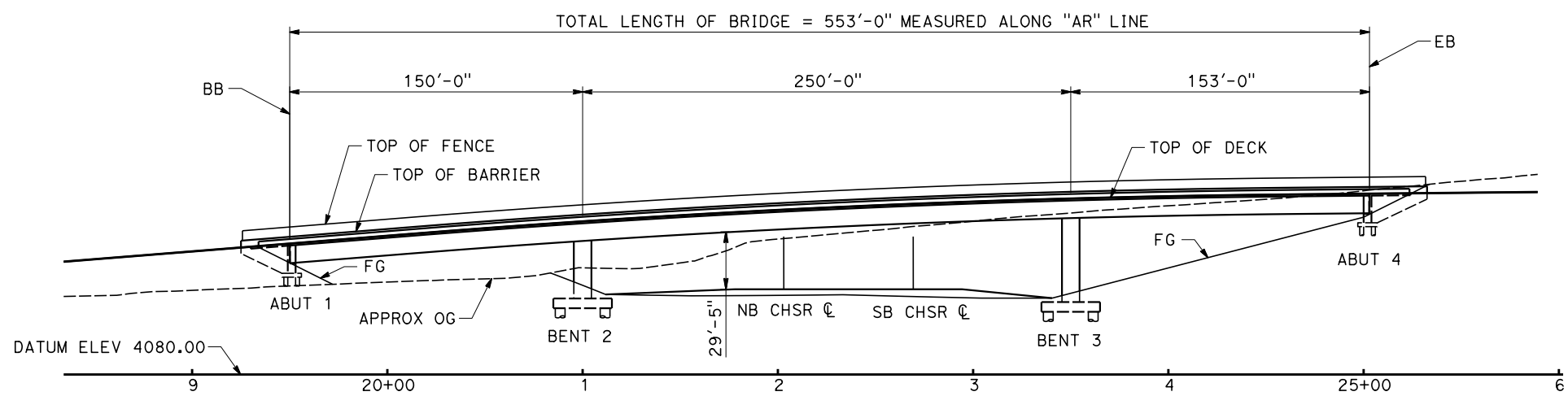
Projects\701206_00_CHSRBP\00_CADD\Sheet Files\ST\BP-ST-K1019G

1/21/2021 3:19:47 AM

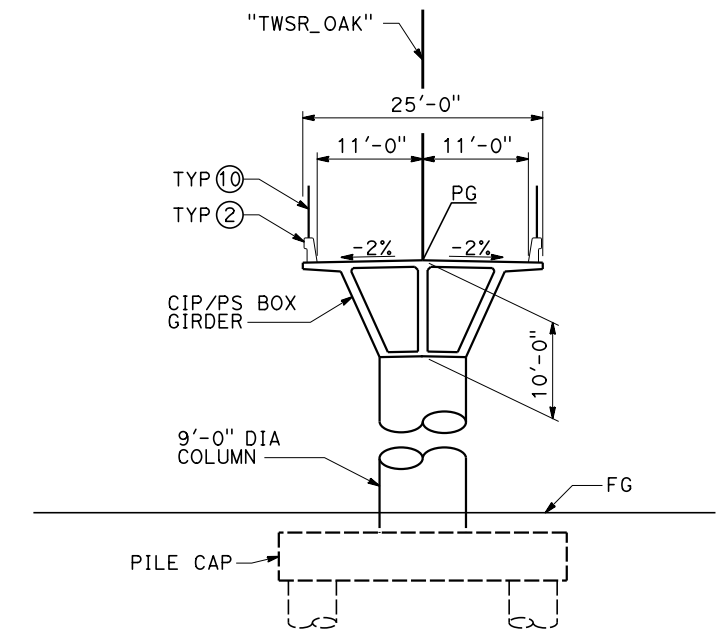
ics_user_17609



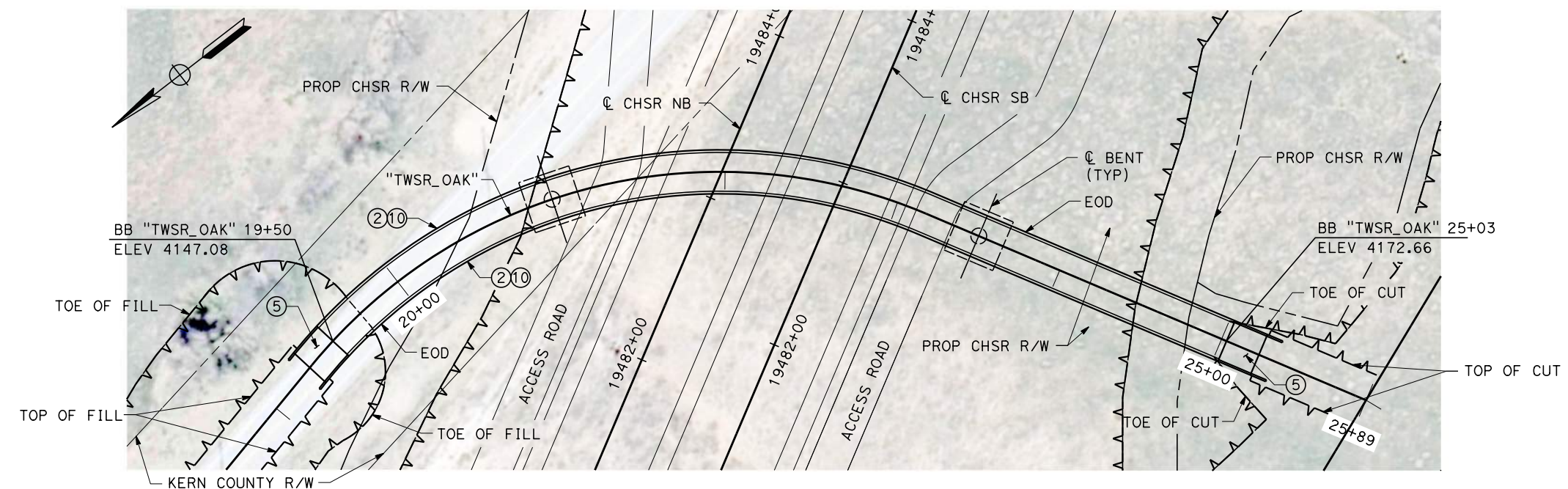
PROFILE GRADE
NO SCALE



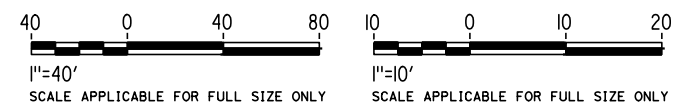
ELEVATION
SCALE 1"= 40'



TYPICAL SECTION
SCALE 1"= 10'



PLAN
SCALE 1"= 40'



REV	DATE	BY	CHK	APP	DESCRIPTION

DESIGNED BY
R. BARTON
DRAWN BY
Y. WANG
CHECKED BY
D. KASAWDISH
IN CHARGE
G. CAMPBELL
DATE
01/29/2021

RECORD SET
PEPD
SUBMITTAL

NOT FOR
CONSTRUCTION



CALIFORNIA HIGH-SPEED RAIL PROJECT
BAKERSFIELD TO PALMDALE
ALTERNATIVES 1
ROADWAY STRUCTURES
OAK CREEK ROAD OVERHEAD
PLAN AND ELEVATION

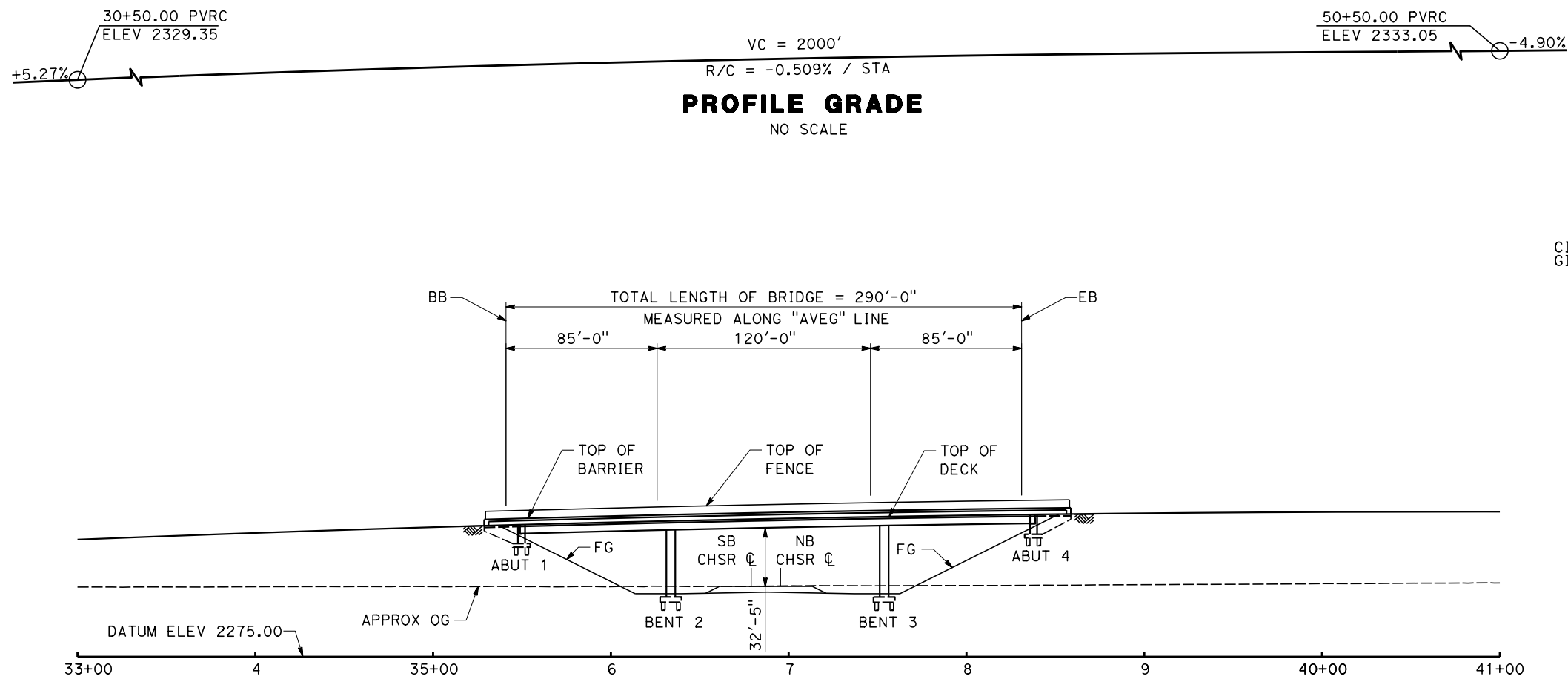
CONTRACT NO.
HSR13-44
DRAWING NO.
ST-K1019G
SCALE
AS SHOWN
SHEET NO.
198

Projects\701206_00_CHSRBP\00_CADD\Sheet_Files\ST\BP-ST-K1021

3:19:15 AM

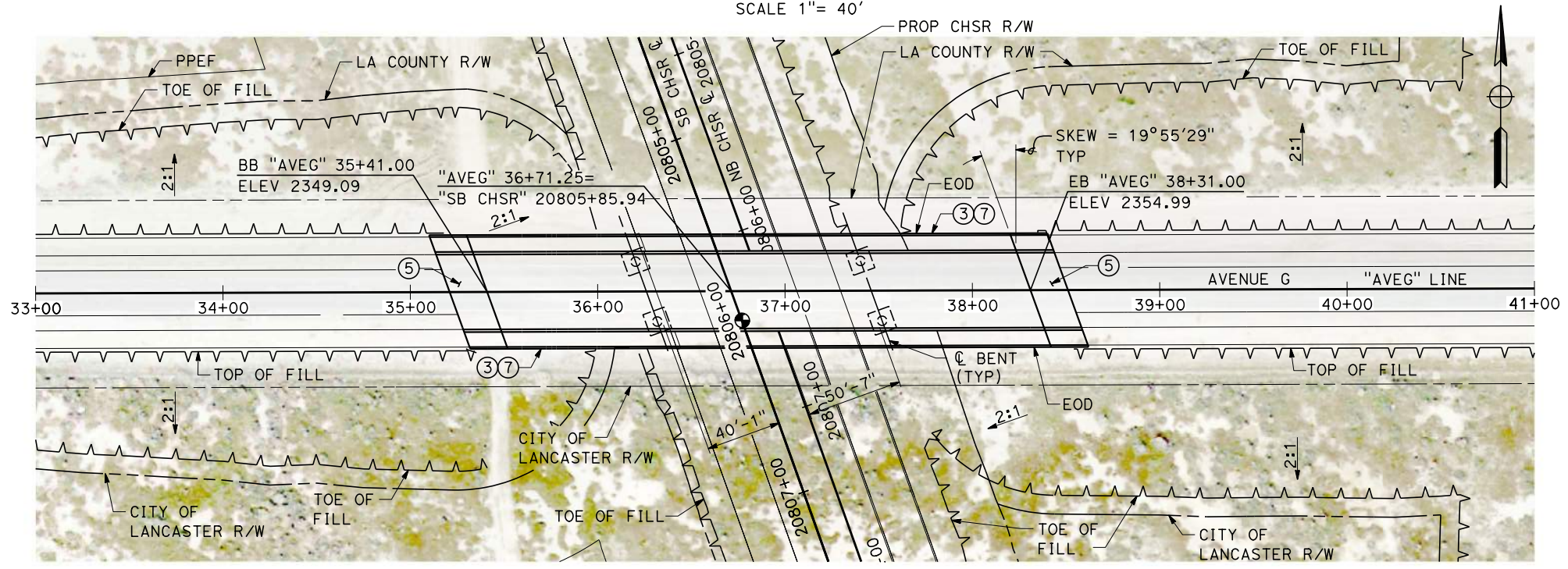
1/21/2021

ics_user_17609



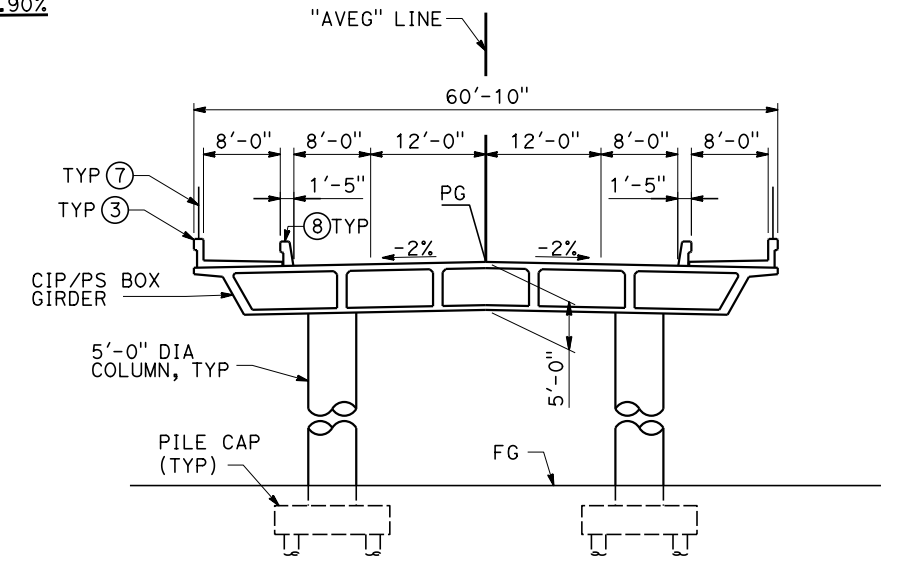
ELEVATION

SCALE 1" = 40'



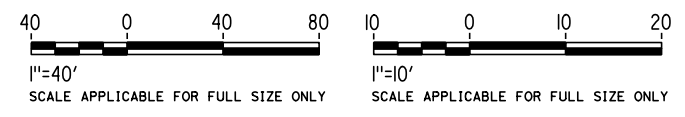
PLAN

SCALE 1" = 40'



TYPICAL SECTION

SCALE 1" = 10'



REV	DATE	BY	CHK	APP	DESCRIPTION

DESIGNED BY
R. BARTON
DRAWN BY
B. MOZAFFARIAN
CHECKED BY
D. KASAWDISH
IN CHARGE
G. CAMPBELL
DATE
01/29/2021

RECORD SET
PEPD
SUBMITTAL

NOT FOR
CONSTRUCTION

TYLIN INTERNATIONAL



CALIFORNIA HIGH-SPEED RAIL PROJECT
BAKERSFIELD TO PALMDALE
ALTERNATIVES 1,2,3
ROADWAY STRUCTURES
AVENUE G OVERHEAD 1
PLAN AND ELEVATION

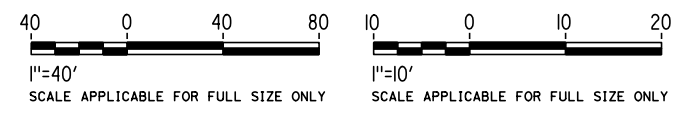
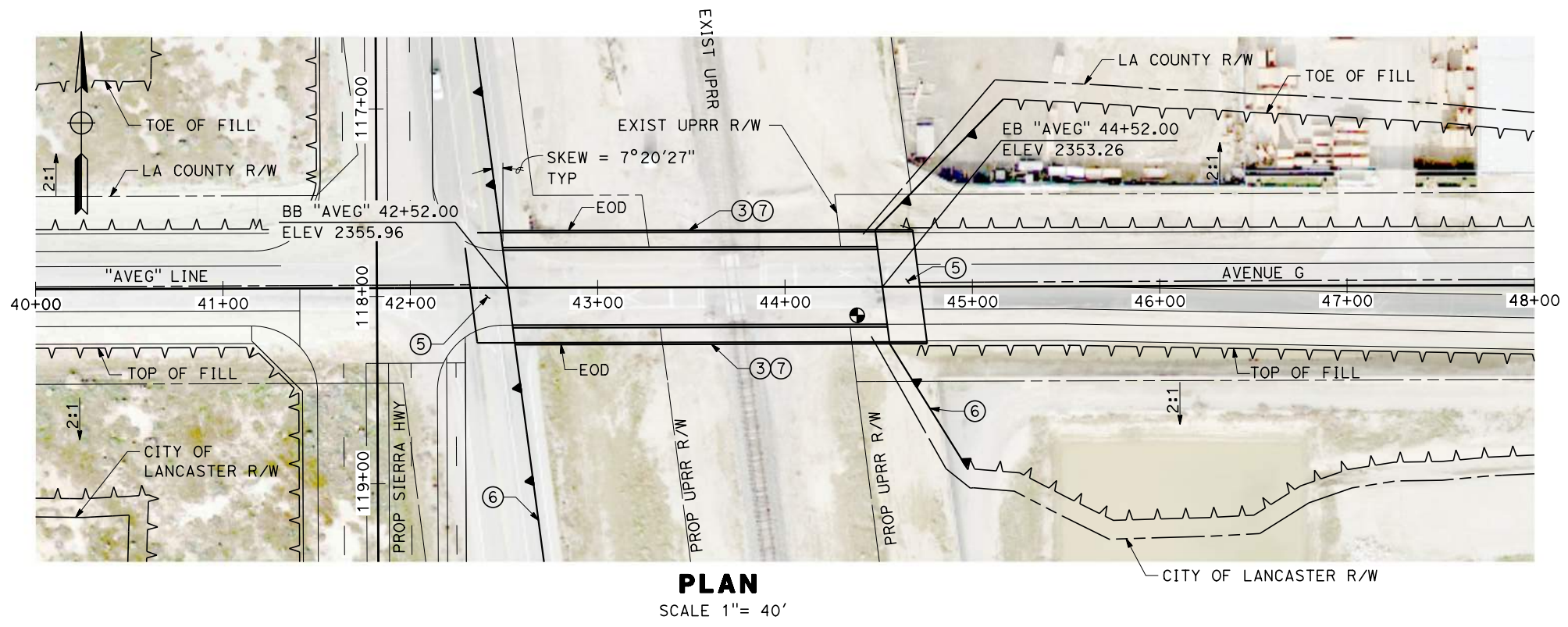
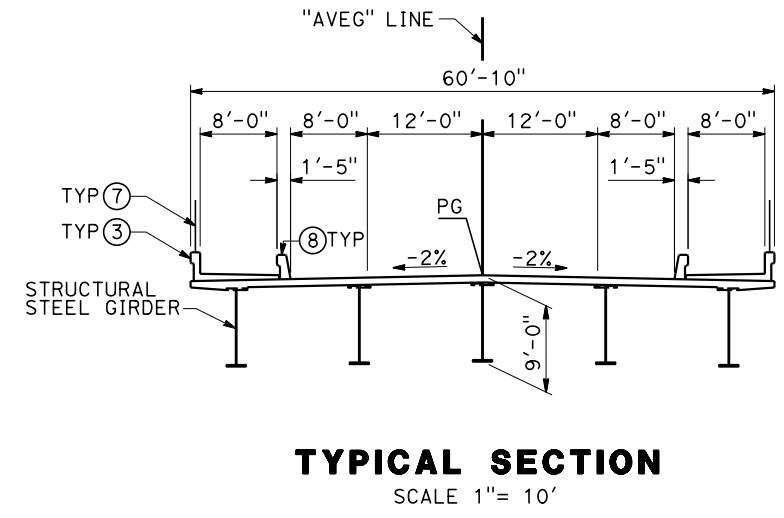
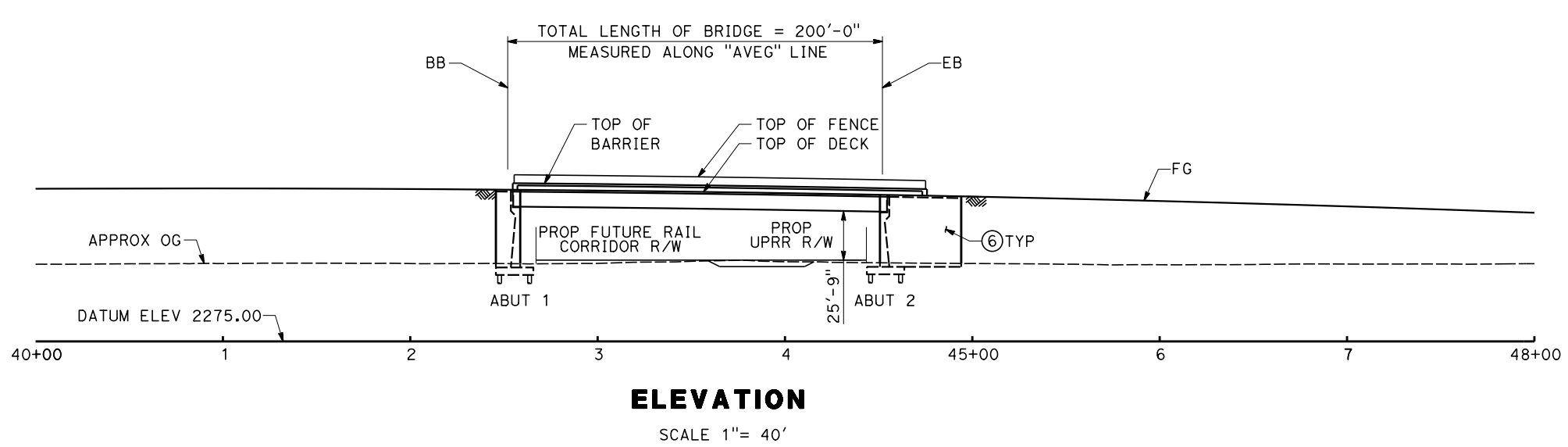
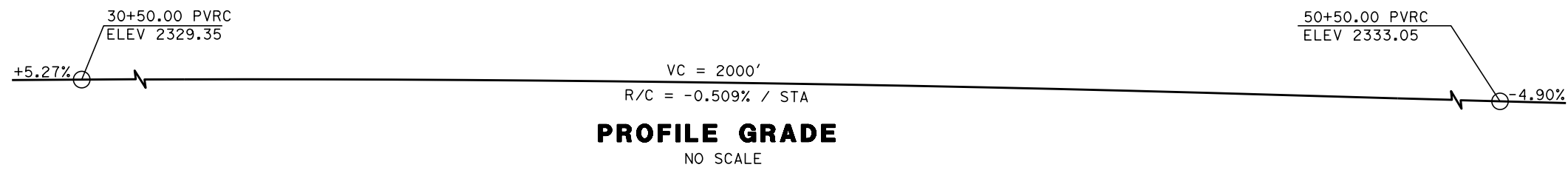
CONTRACT NO.
HSR13-44
DRAWING NO.
ST-K1021
SCALE
AS SHOWN
SHEET NO.
199

Projects\701206_00_CHSRBP\00_CADD\Sheet_Files\ST\BP-ST-K1022

3:18:47 AM

1/21/2021

ics_user_17609



REV	DATE	BY	CHK	APP	DESCRIPTION

DESIGNED BY
R. BARTON
DRAWN BY
B. MOZAFFARIAN
CHECKED BY
D. KASAWDISH
IN CHARGE
G. CAMPBELL
DATE
01/29/2021

**RECORD SET
PEPD
SUBMITTAL**

**NOT FOR
CONSTRUCTION**

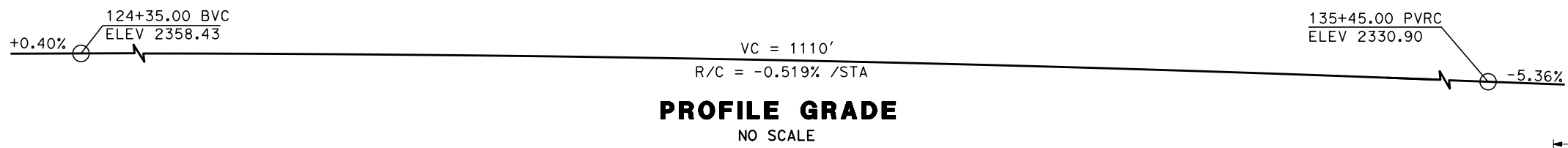


**CALIFORNIA HIGH-SPEED RAIL PROJECT
BAKERSFIELD TO PALMDALE**

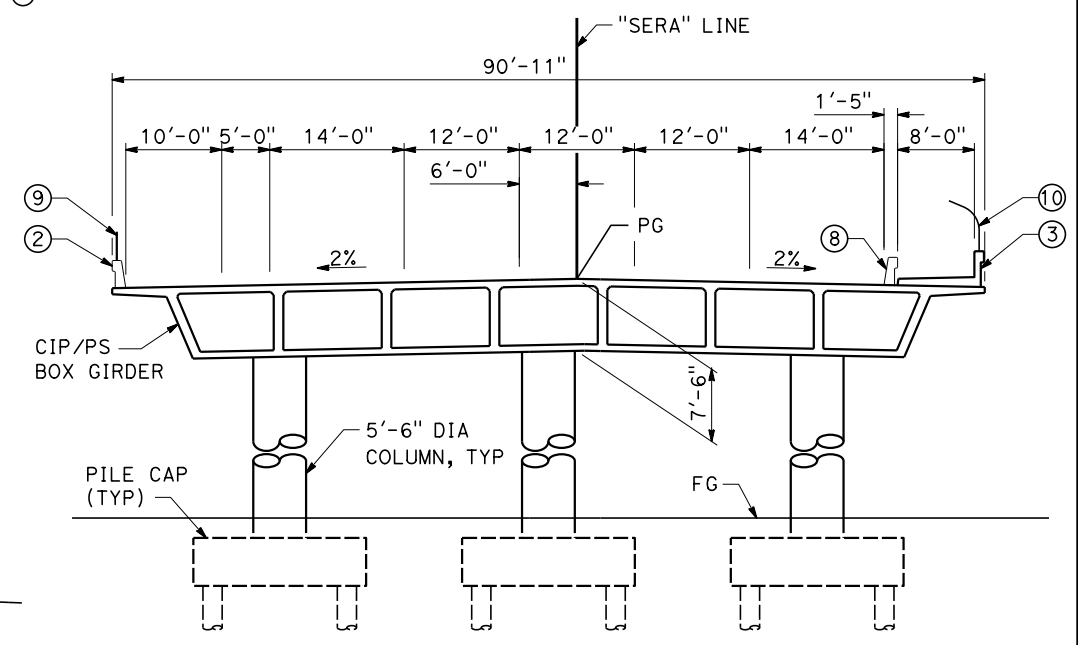
ALTERNATIVES 1,2,3
ROADWAY STRUCTURES
AVENUE G OVERHEAD 2
PLAN AND ELEVATION

CONTRACT NO.
HSR13-44
DRAWING NO.
ST-K1022
SCALE
AS SHOWN
SHEET NO.
200

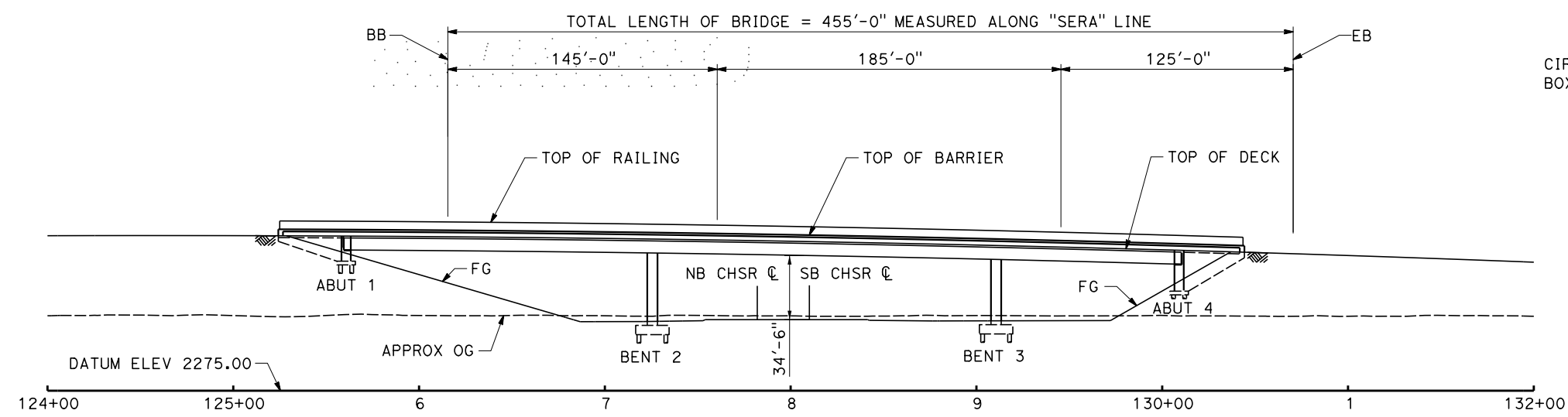
Projects\701206_00_CHSRBP\00_CADD\Sheet_Files\ST\BP-ST-K1023
 1/21/2021 3:20:23 AM jcs_user_17609



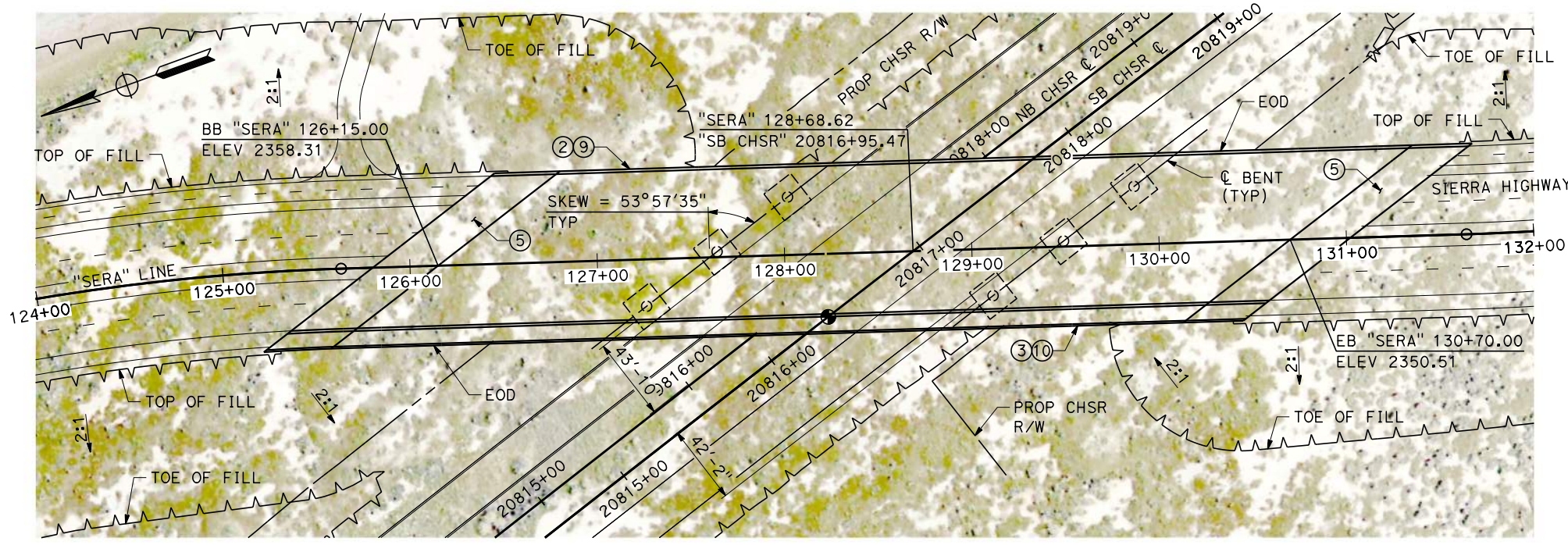
PROFILE GRADE
NO SCALE



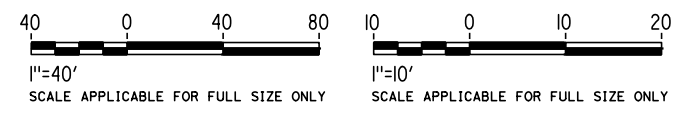
TYPICAL SECTION
SCALE 1" = 10'



ELEVATION
SCALE 1" = 40'



PLAN
SCALE 1" = 40'



REV	DATE	BY	CHK	APP	DESCRIPTION

DESIGNED BY
R. BARTON
 DRAWN BY
B. MOZAFFARIAN
 CHECKED BY
D. KASAWDISH
 IN CHARGE
G. CAMPBELL
 DATE
01/29/2021

RECORD SET
PEPD
SUBMITTAL

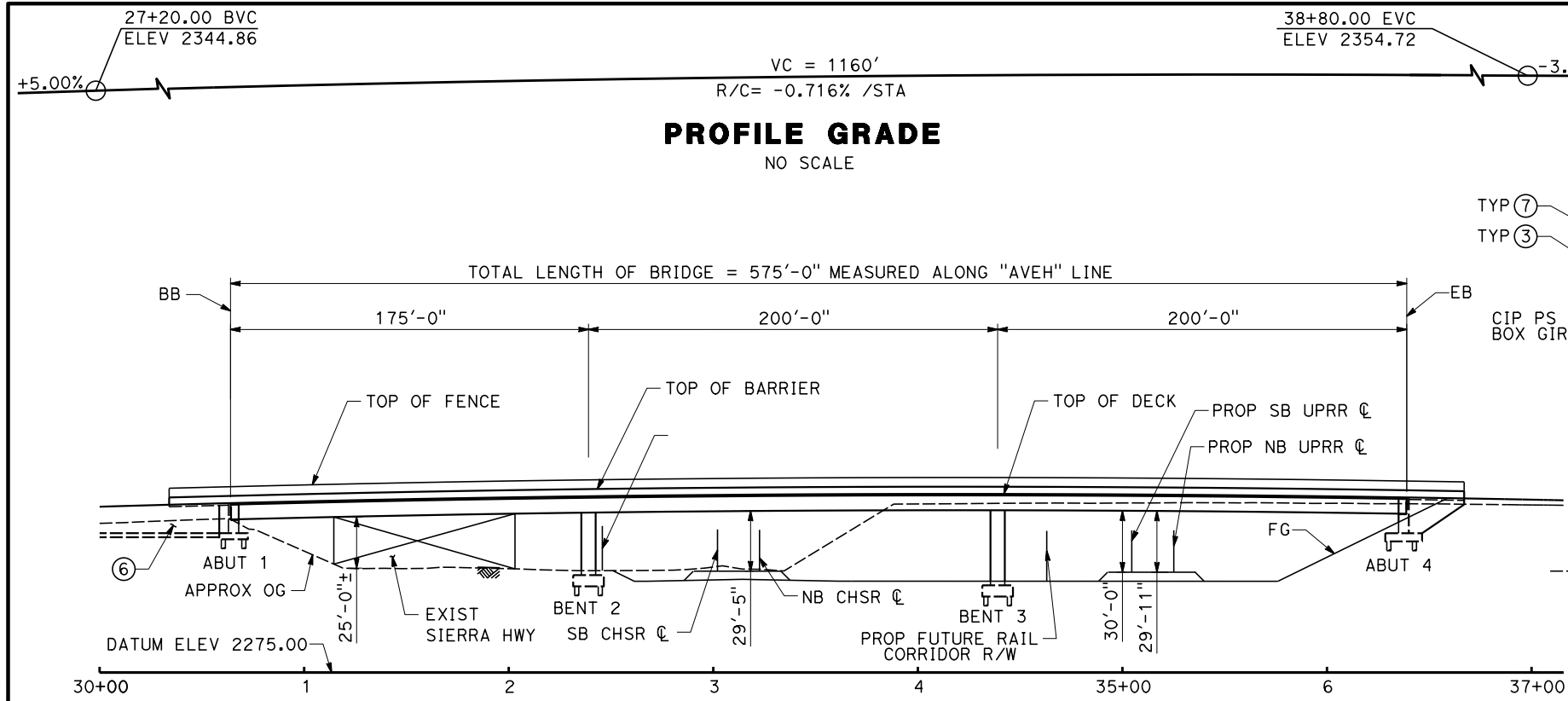
NOT FOR CONSTRUCTION



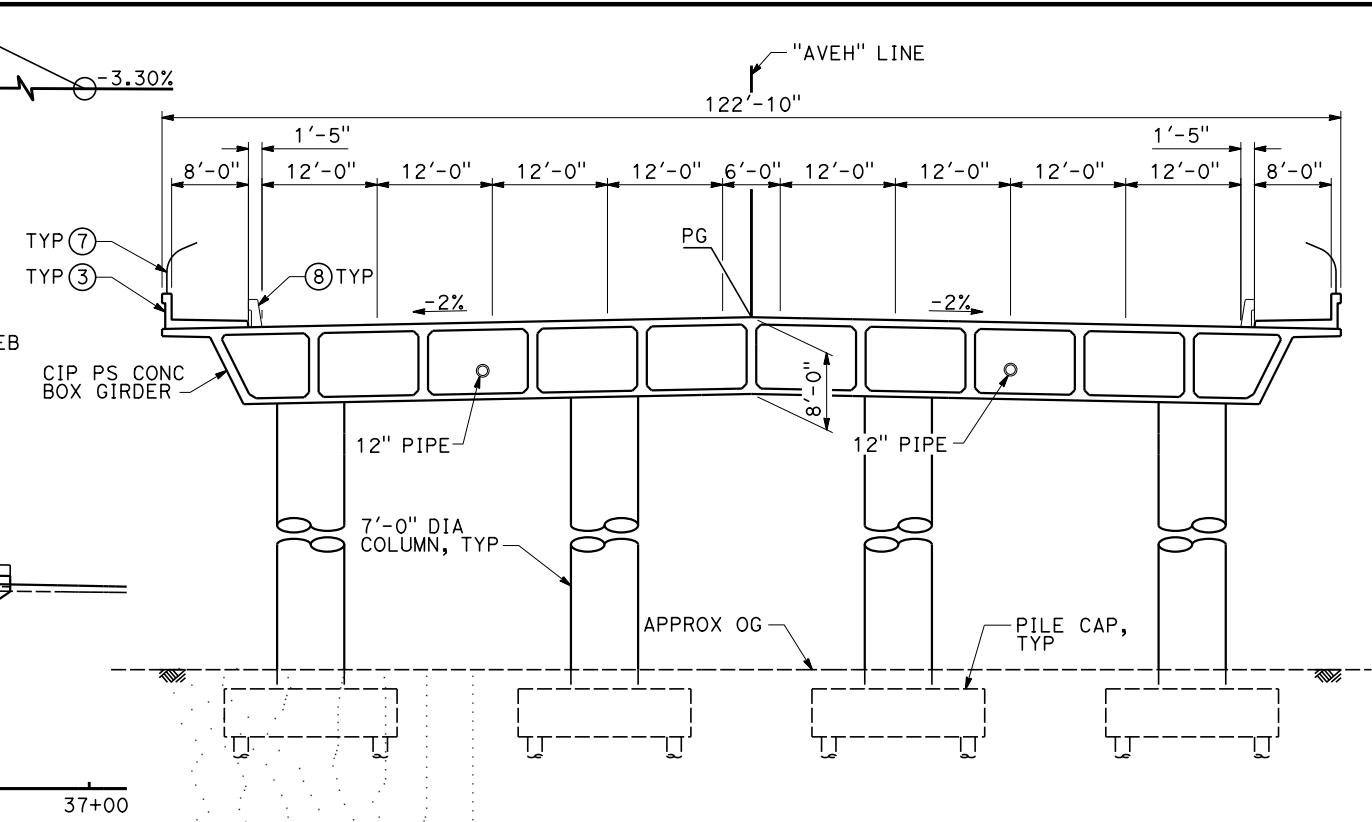
CALIFORNIA HIGH-SPEED RAIL PROJECT
BAKERSFIELD TO PALMDALE
 ALTERNATIVES 1,2,3
 ROADWAY STRUCTURES
 SIERRA HIGHWAY OVERHEAD
 PLAN AND ELEVATION

CONTRACT NO.
HSR13-44
 DRAWING NO.
ST-K1023
 SCALE
AS SHOWN
 SHEET NO.
201

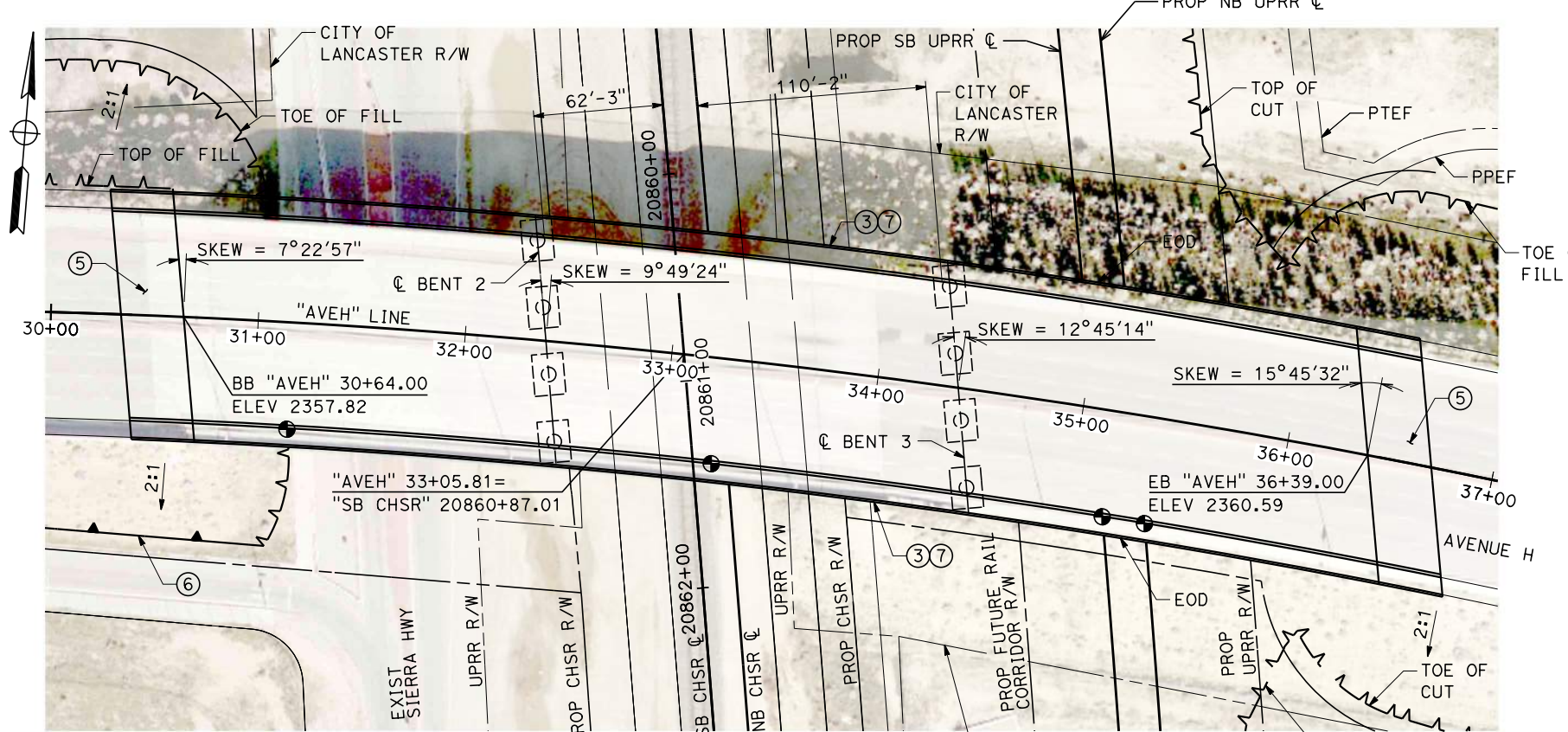
Projects\701206_00_CHSRBP\00_CADD\Sheet Files\ST\BP-ST-K1024
 1/21/2021 3:17:55 AM
 _ics_user_17609



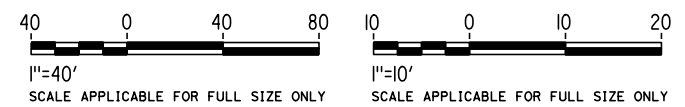
ELEVATION
 SCALE 1"= 40'



TYPICAL SECTION
 SCALE 1"= 10'



PLAN
 SCALE 1"= 40'



REV	DATE	BY	CHK	APP	DESCRIPTION

DESIGNED BY
R. BARTON
 DRAWN BY
B. MOZAFFARIAN
 CHECKED BY
D. KASAWDISH
 IN CHARGE
G. CAMPBELL
 DATE
01/29/2021

RECORD SET
PEPD
SUBMITTAL

NOT FOR
CONSTRUCTION



CALIFORNIA HIGH-SPEED RAIL PROJECT
BAKERSFIELD TO PALMDALE
 ALTERNATIVES 1,2,3
 ROADWAY STRUCTURES
 AVENUE H OVERHEAD
 PLAN AND ELEVATION

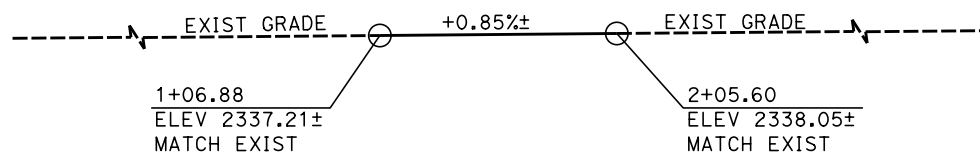
CONTRACT NO.
HSR13-44
 DRAWING NO.
ST-K1024
 SCALE
AS SHOWN
 SHEET NO.
202

Projects\701206_00_CHSRBP\00_CADD\Sheet Files\ST\BP-ST-K1025A

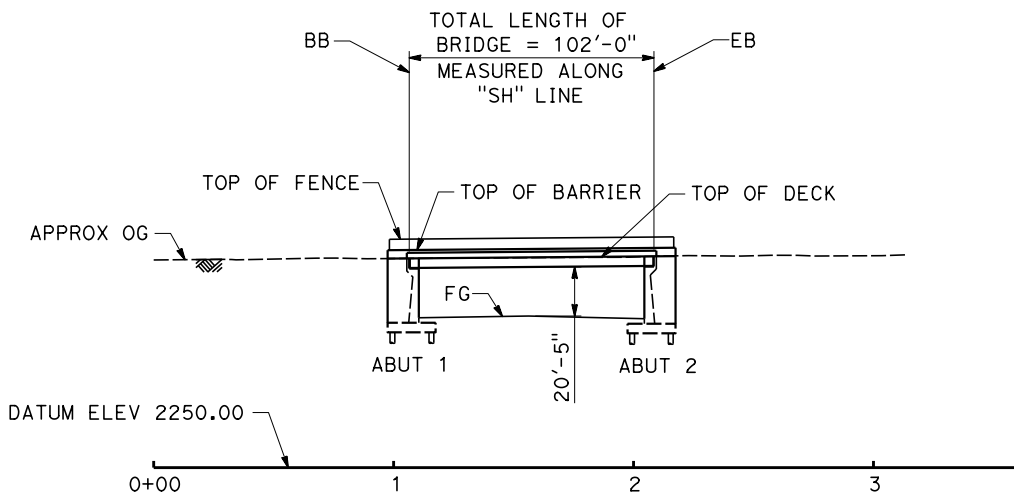
3:20:45 AM

1/21/2021

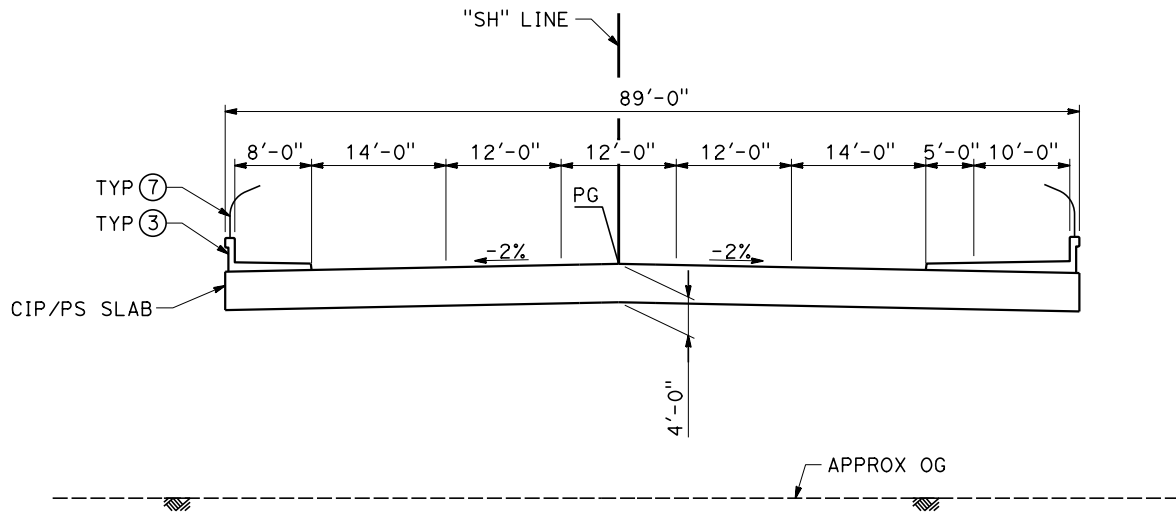
jcs_user_17609



PROFILE GRADE
NO SCALE



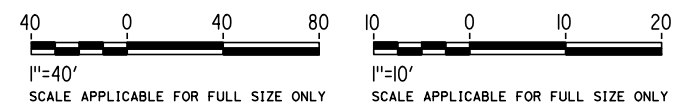
ELEVATION
SCALE 1" = 40'



TYPICAL SECTION
SCALE 1" = 10'



PLAN
SCALE 1" = 40'



REV	DATE	BY	CHK	APP	DESCRIPTION

DESIGNED BY
R. BARTON
DRAWN BY
B. MOZAFFARIAN
CHECKED BY
D. KASAWDISH
IN CHARGE
G. CAMPBELL
DATE
01/29/2021

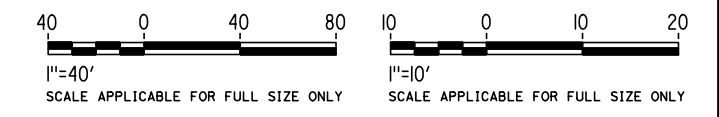
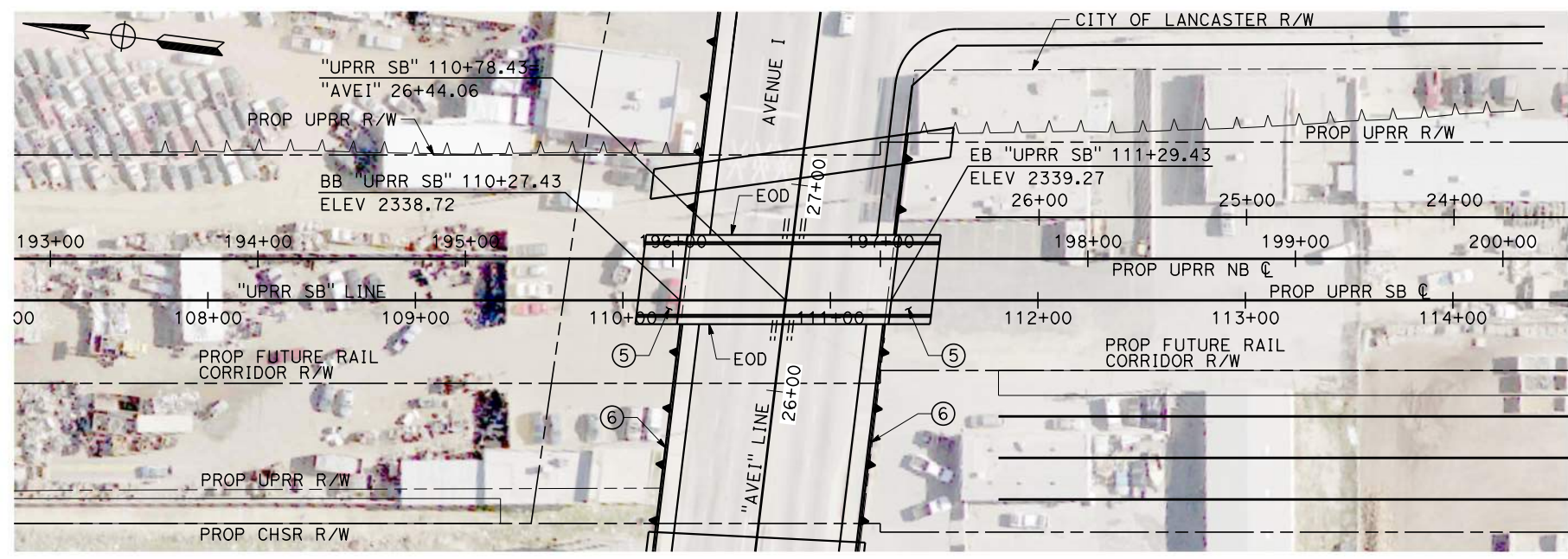
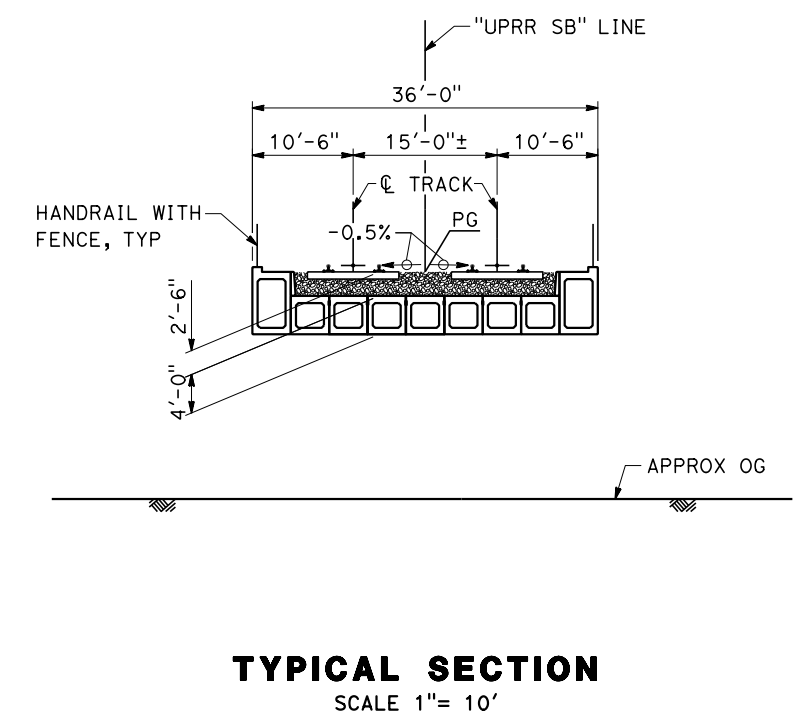
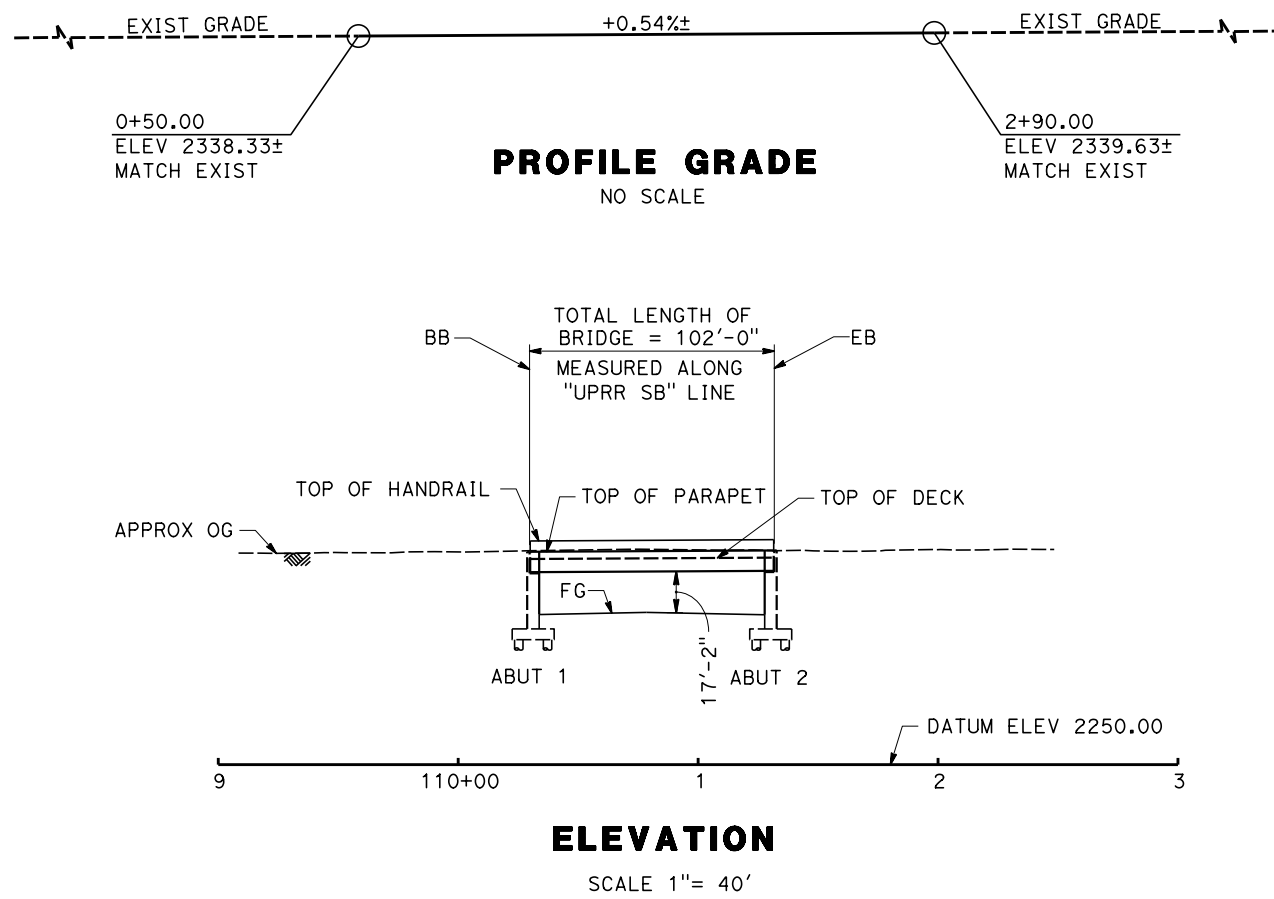
RECORD SET
PEPD
SUBMITTAL

NOT FOR
CONSTRUCTION



CALIFORNIA HIGH-SPEED RAIL PROJECT
BAKERSFIELD TO PALMDALE
ALTERNATIVES 1,2,3,5
ROADWAY STRUCTURES
AVENUE I OVERCROSSING
PLAN AND ELEVATION

CONTRACT NO.
HSR13-44
DRAWING NO.
ST-K1025A
SCALE
AS SHOWN
SHEET NO.
203



Projects\701206.00_CHSRBP\00_CADD\Sheet Files\ST\BP-ST-K1025B

1/21/2021 3:18:19 AM

ics_user_17609

REV	DATE	BY	CHK	APP	DESCRIPTION

DESIGNED BY
R. BARTON

DRAWN BY
B. MOZAFFARIAN

CHECKED BY
D. KASAWDISH

IN CHARGE
G. CAMPBELL

DATE
01/29/2021

RECORD SET
PEPD
SUBMITTAL

NOT FOR
CONSTRUCTION



CALIFORNIA HIGH-SPEED RAIL PROJECT
BAKERSFIELD TO PALMDALE

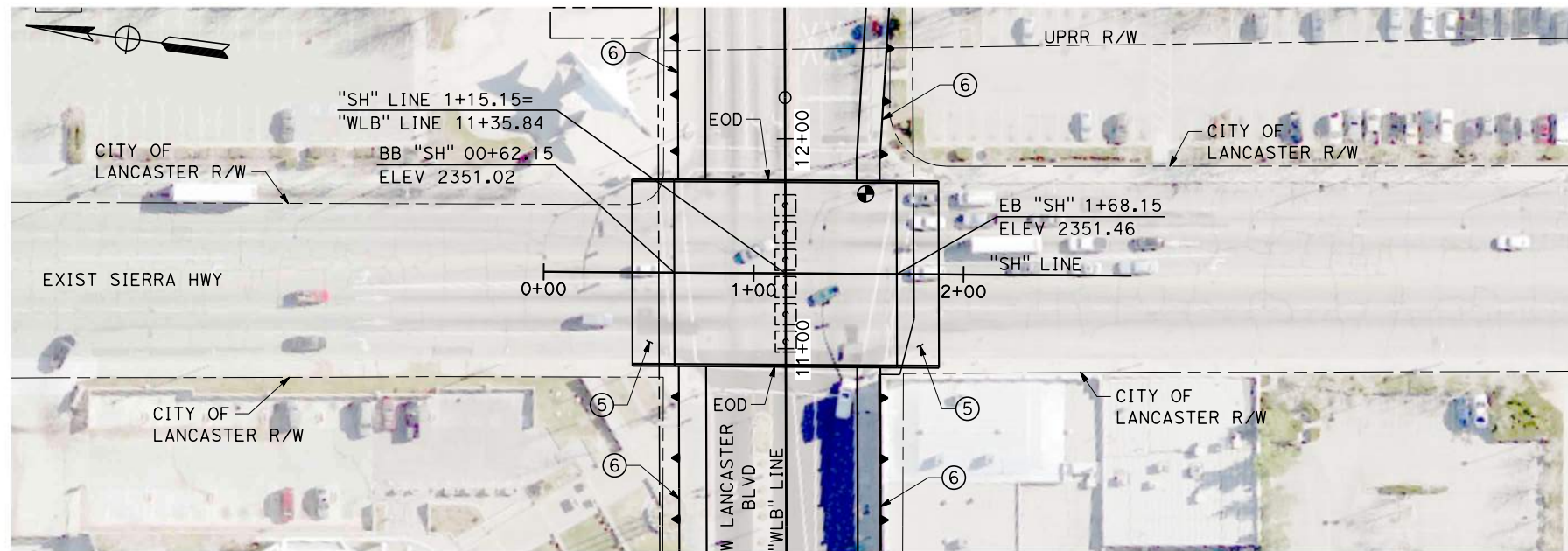
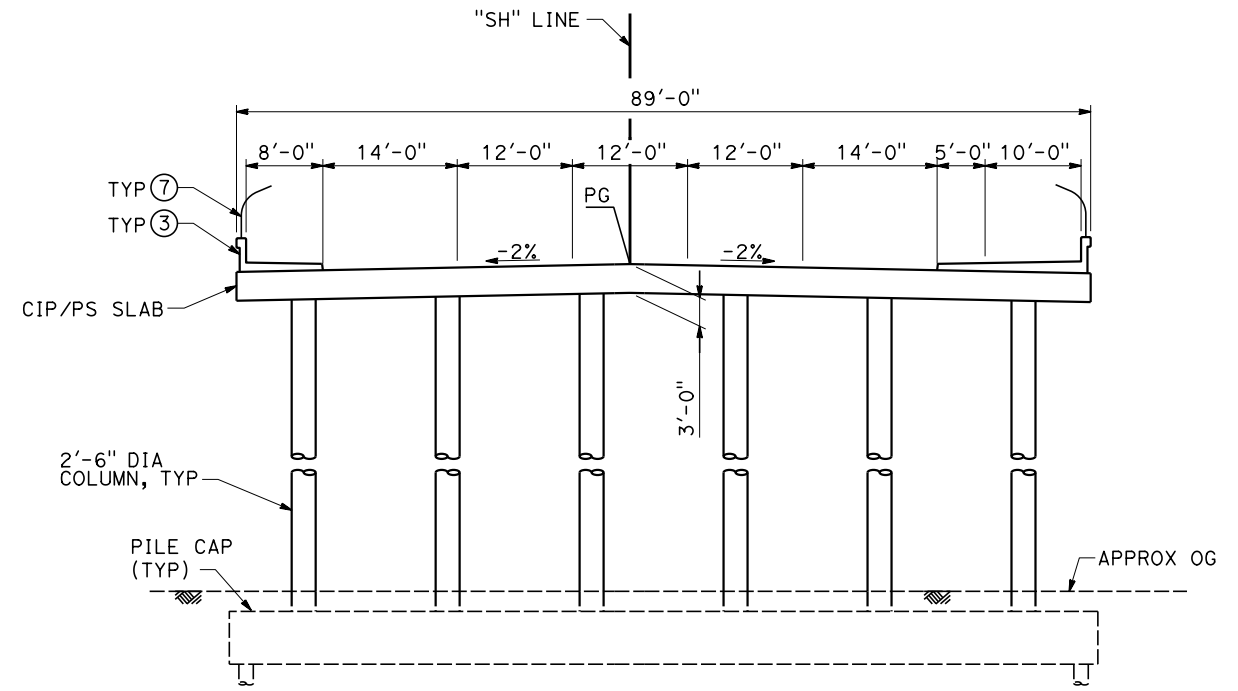
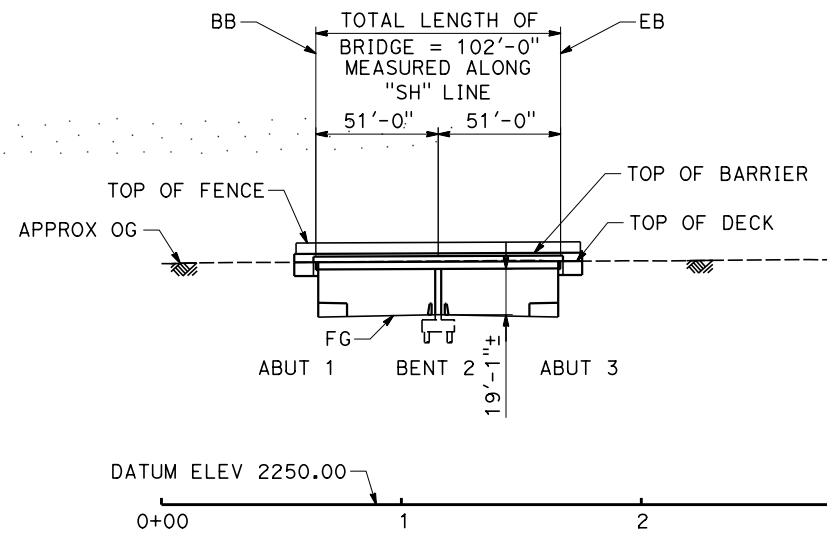
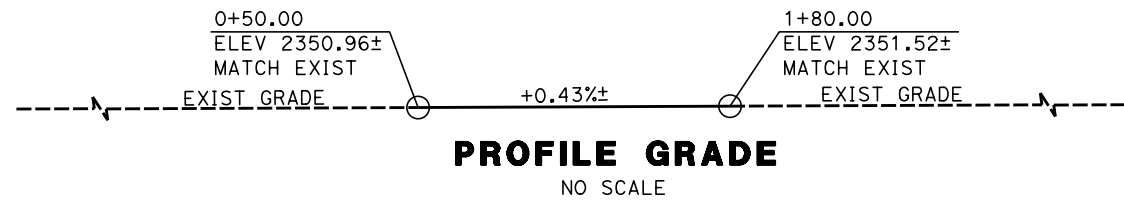
ALTERNATIVES 1,2,3,5
ROADWAY STRUCTURES
AVENUE I UNDERPASS
PLAN AND ELEVATION

CONTRACT NO.
HSR13-44

DRAWING NO.
ST-K1025B

SCALE
AS SHOWN

SHEET NO.
204



Projects\701206_00_CHSRBP\00_CADD\Sheet Files\ST\BP-ST-K1026A

3:19:07 AM

1/21/2021

ics_user_17609

REV	DATE	BY	CHK	APP	DESCRIPTION

DESIGNED BY
R. BARTON
DRAWN BY
B. MOZAFFARIAN
CHECKED BY
D. KASAWDISH
IN CHARGE
G. CAMPBELL
DATE
01/29/2021

RECORD SET
PEPD
SUBMITTAL

NOT FOR
CONSTRUCTION



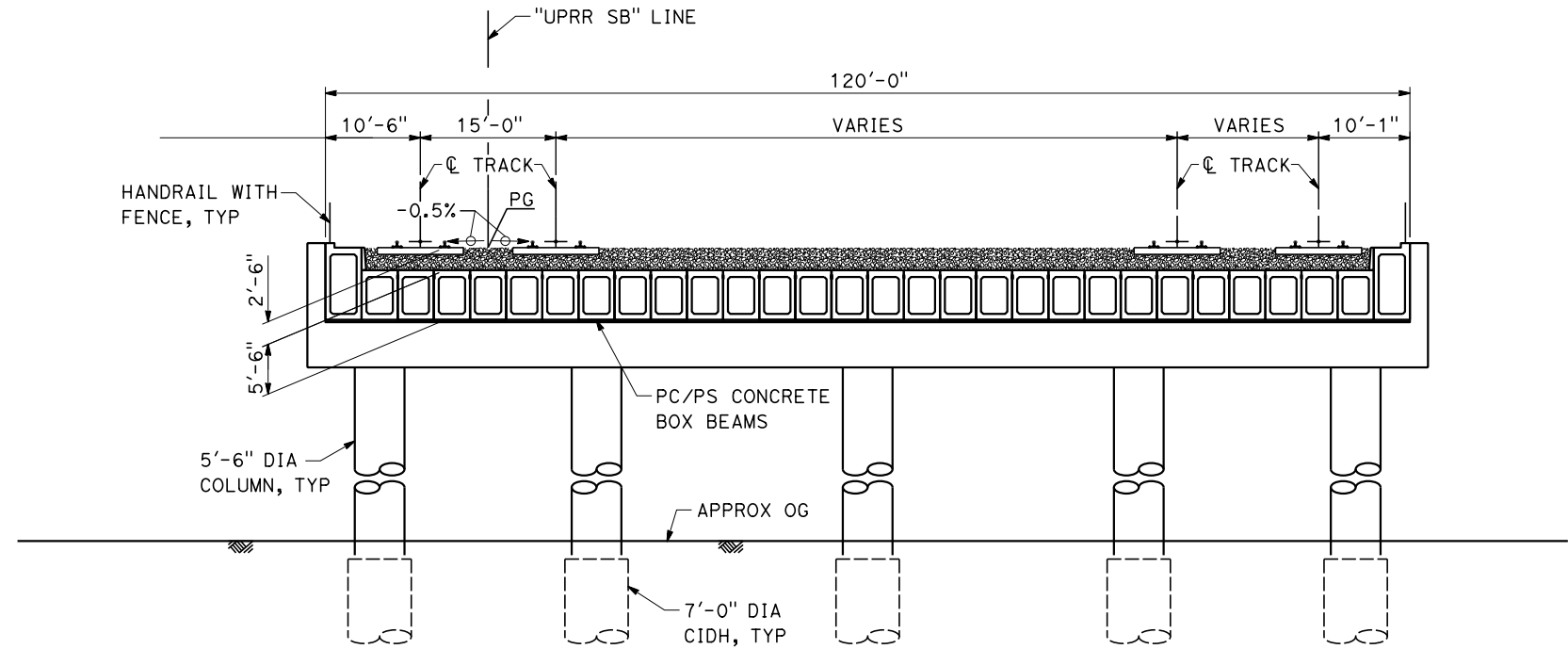
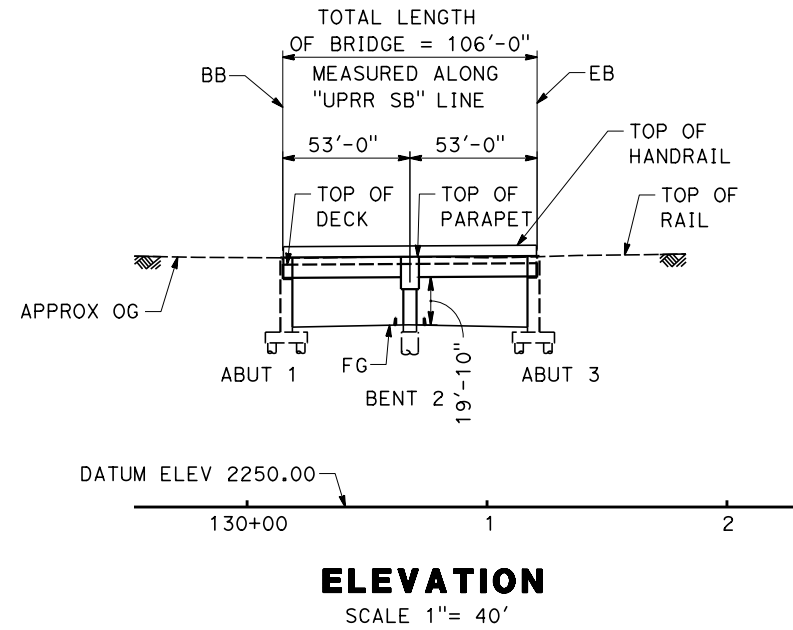
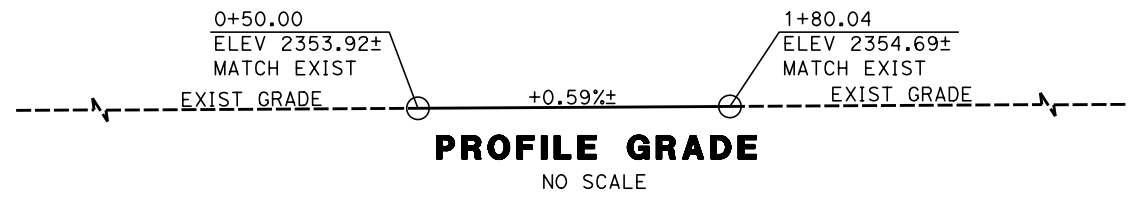
CALIFORNIA HIGH-SPEED RAIL PROJECT
BAKERSFIELD TO PALMDALE
ALTERNATIVES 1,2,3,5
ROADWAY STRUCTURES
LANCASTER BLVD. OVERCROSSING - 1
PLAN AND ELEVATION

CONTRACT NO.
HSR13-44
DRAWING NO.
ST-K1026A
SCALE
AS SHOWN
SHEET NO.
205

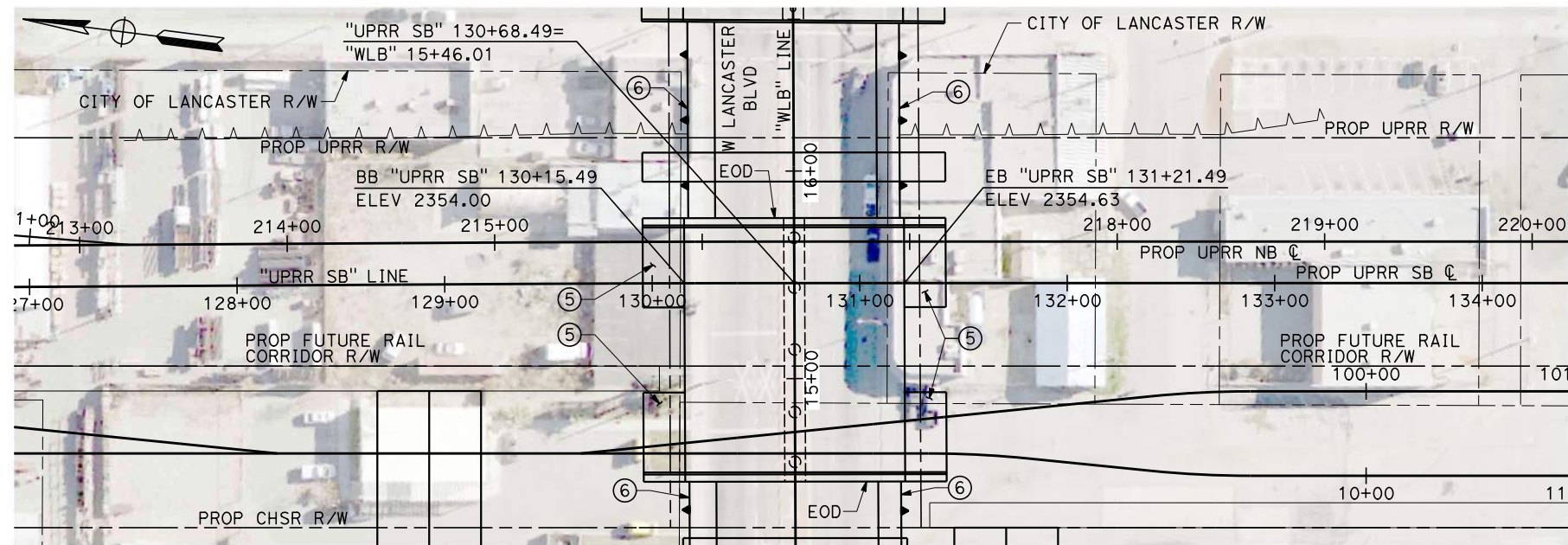
Projects\701206_00_CHSRBP\00_CADD\Sheet_Files\ST\BP-ST-K1026B

3:20:07 AM
1/21/2021

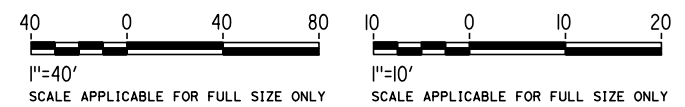
ics_user_17609



TYPICAL SECTION
SCALE 1"= 10'



PLAN
SCALE 1"= 40'



REV	DATE	BY	CHK	APP	DESCRIPTION

DESIGNED BY
R. BARTON
DRAWN BY
B. MOZAFFARIAN
CHECKED BY
D. KASAWDISH
IN CHARGE
G. CAMPBELL
DATE
01/29/2021

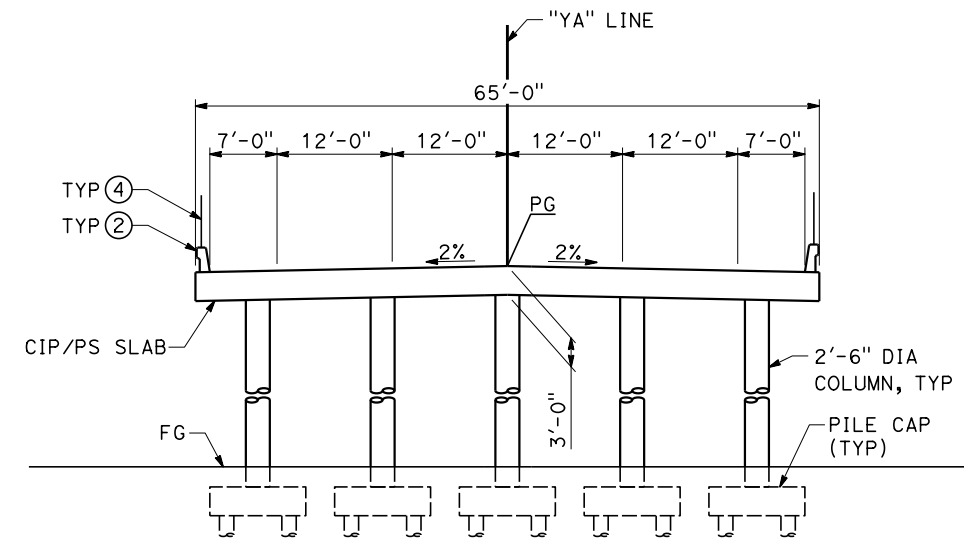
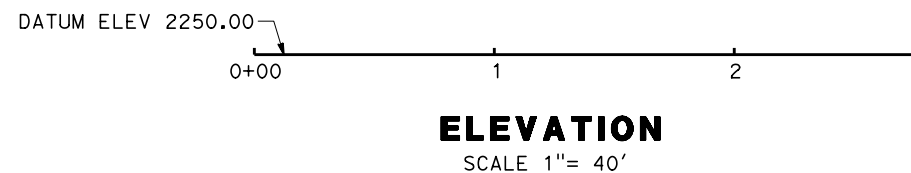
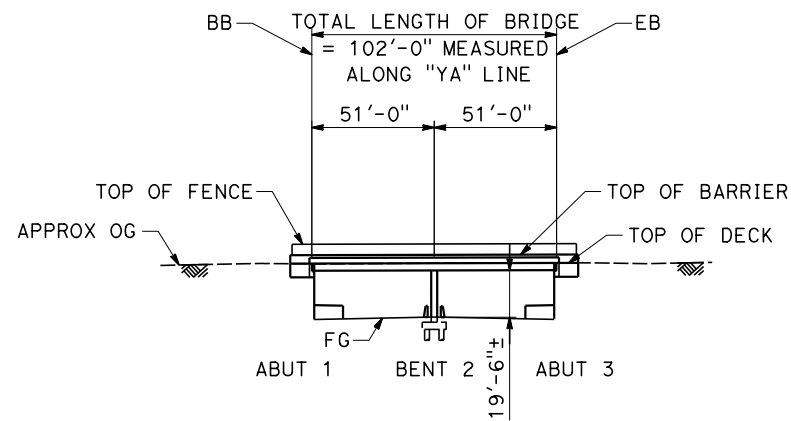
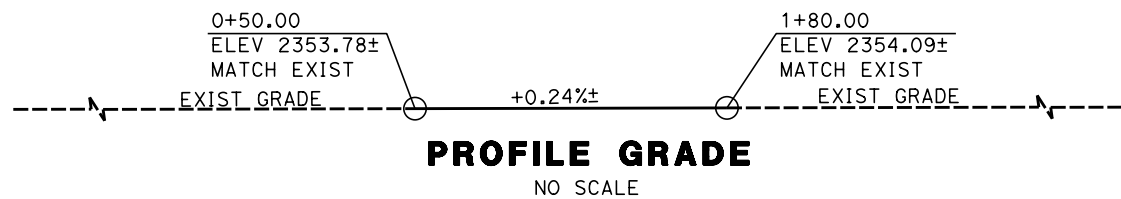
RECORD SET
PEPD
SUBMITTAL

NOT FOR
CONSTRUCTION

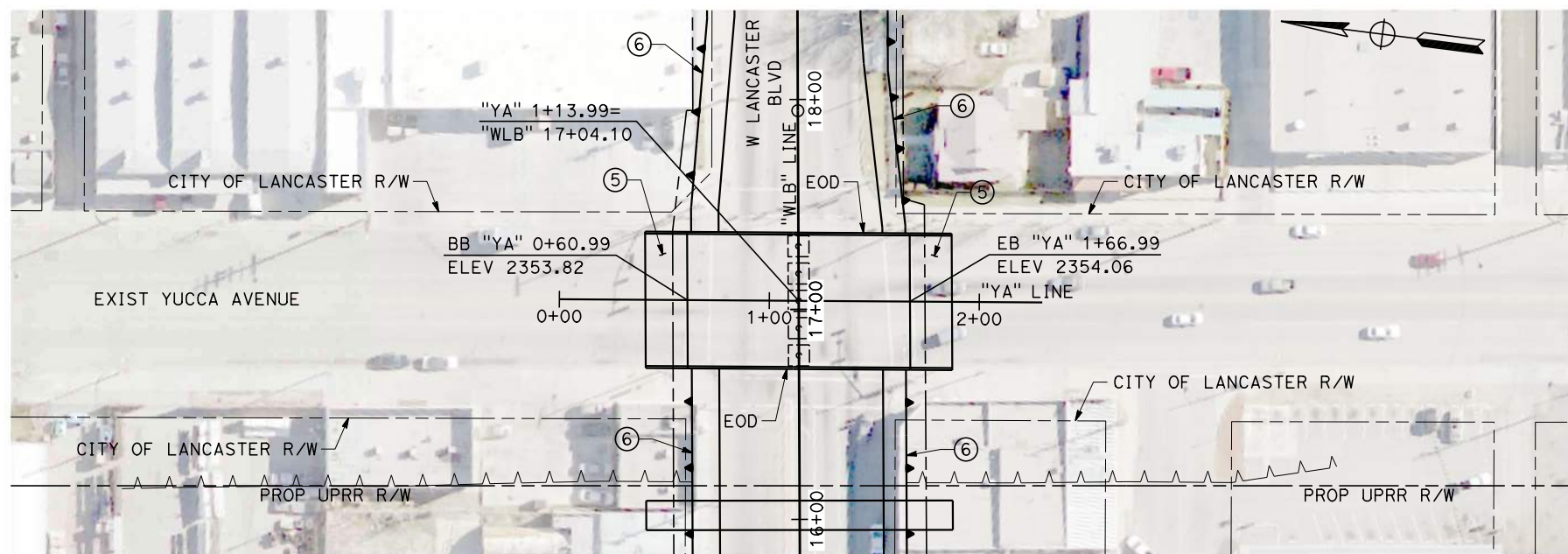


CALIFORNIA HIGH-SPEED RAIL PROJECT
BAKERSFIELD TO PALMDALE
ALTERNATIVES 1,2,3,5
ROADWAY STRUCTURES
LANCASTER BLVD. OVERPASS
PLAN AND ELEVATION

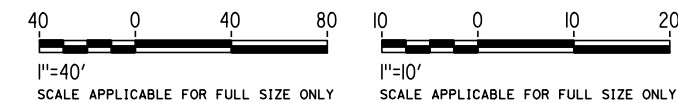
CONTRACT NO.
HSR13-44
DRAWING NO.
ST-K1026B
SCALE
AS SHOWN
SHEET NO.
206



TYPICAL SECTION
SCALE 1" = 10'



PLAN
SCALE 1" = 40'



Projects\701206.00_CADD\Sheet Files\ST\BP-ST-K1026C

3:18:36 AM

1/21/2021

ics_user_17609

REV	DATE	BY	CHK	APP	DESCRIPTION

DESIGNED BY
R. BARTON
DRAWN BY
B. MOZAFFARIAN
CHECKED BY
D. KASAWDISH
IN CHARGE
G. CAMPBELL
DATE
01/29/2021

RECORD SET
PEPD
SUBMITTAL

NOT FOR
CONSTRUCTION



CALIFORNIA HIGH-SPEED RAIL PROJECT
BAKERSFIELD TO PALMDALE
ALTERNATIVES 1,2,3,5
ROADWAY STRUCTURES
LANCASTER BLVD. OVERCROSSING - 2
PLAN AND ELEVATION

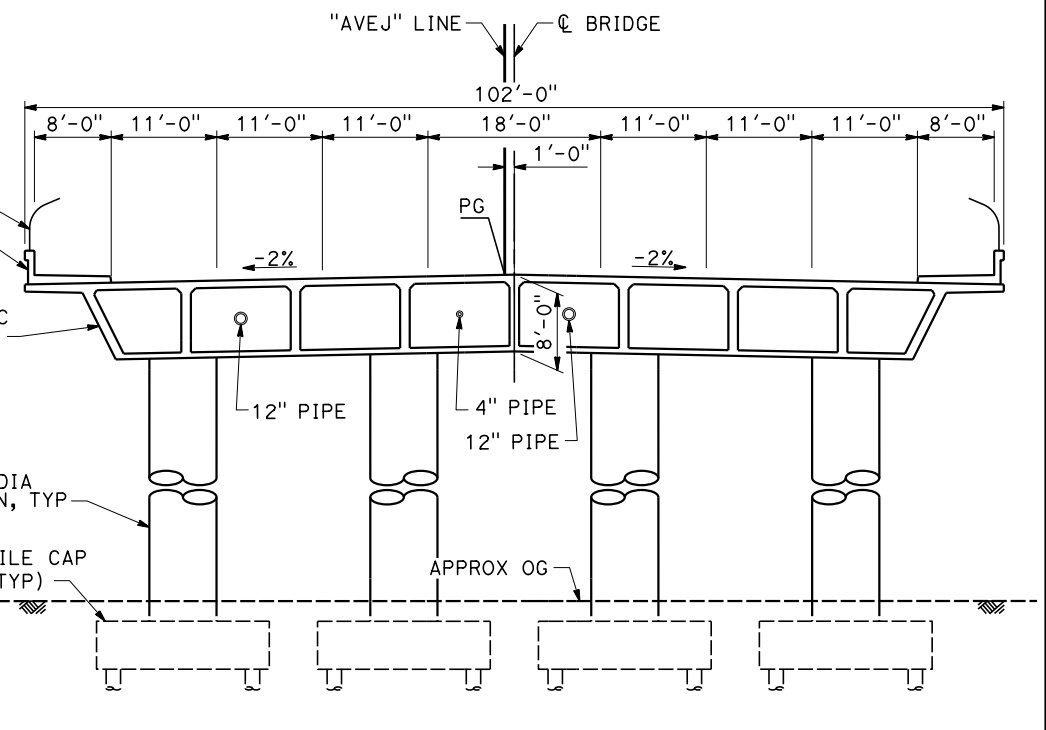
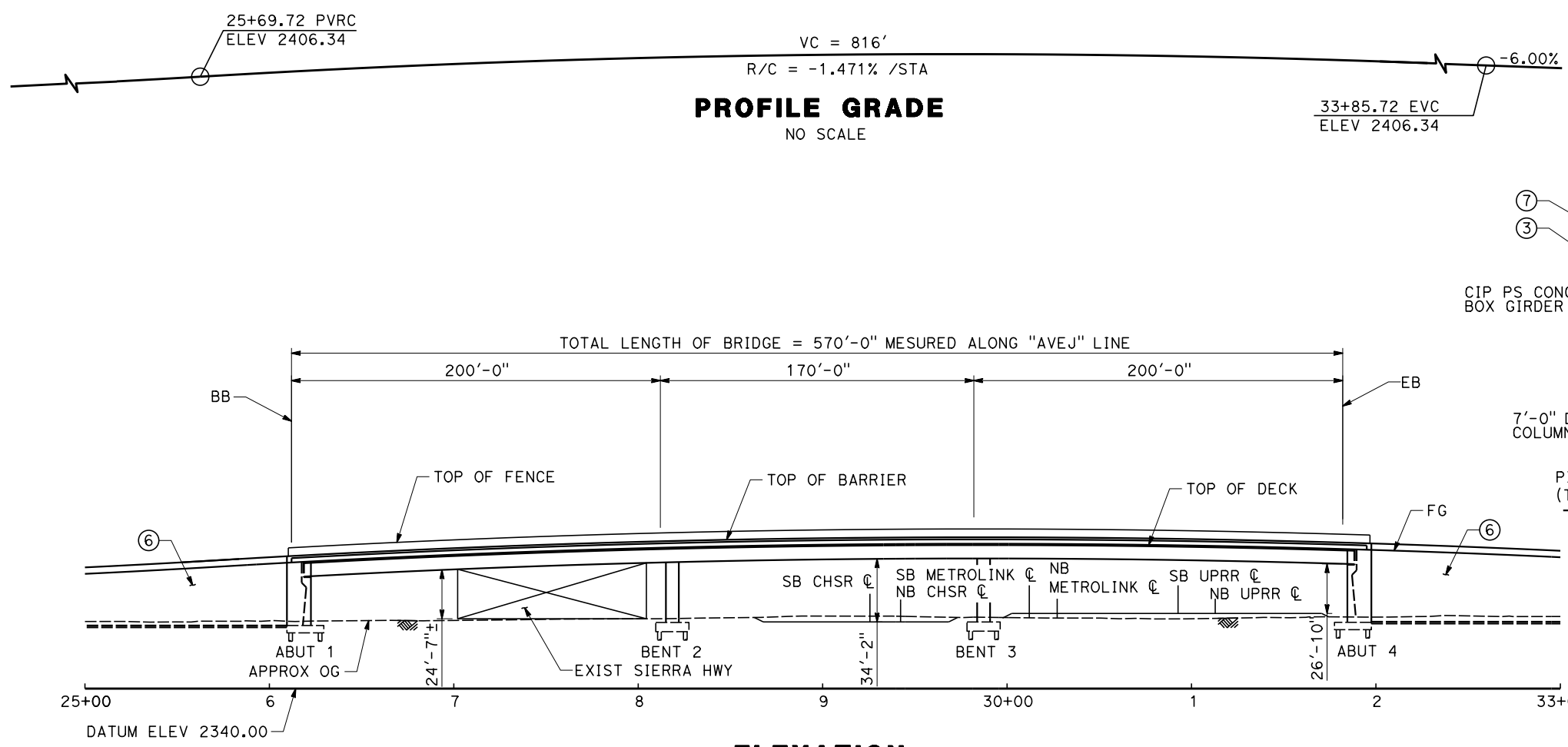
CONTRACT NO.
HSR13-44
DRAWING NO.
ST-K1026C
SCALE
AS SHOWN
SHEET NO.
207

Projects\701206.00_CHSRBP\00_CADD\Sheet_Files\ST\BP-ST-K1028

3:21:09 AM

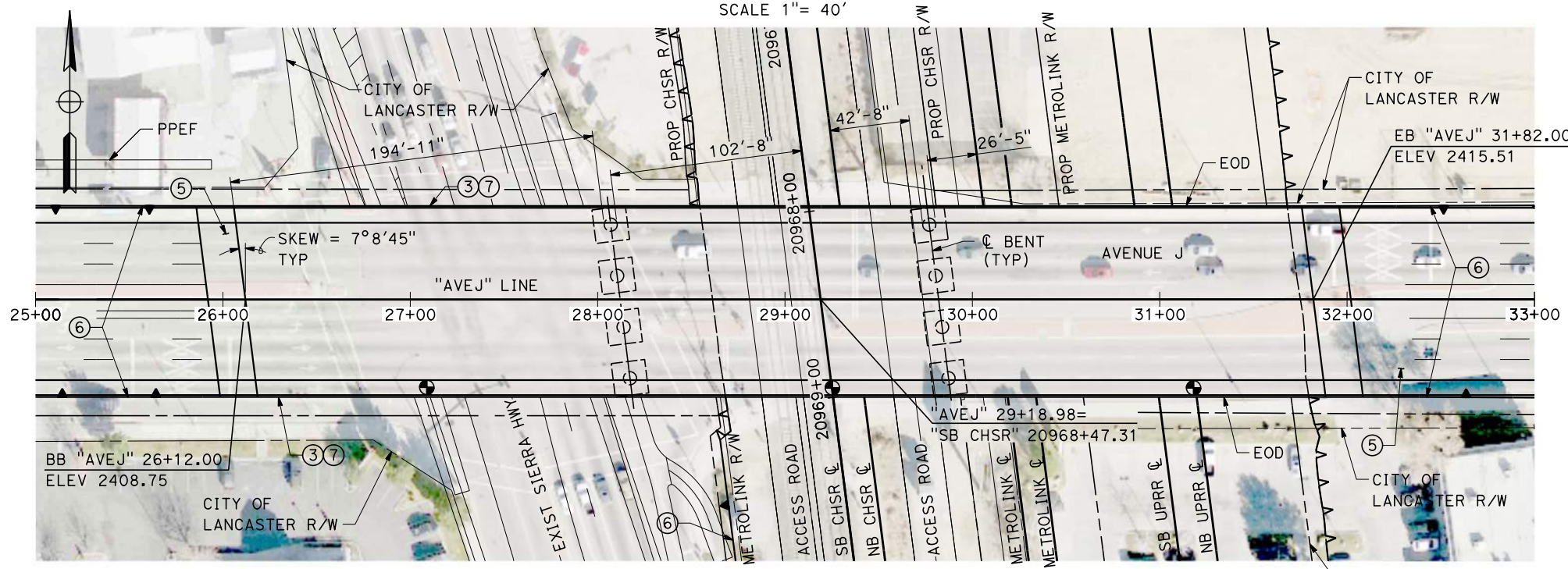
1/21/2021

jcs_user_17609

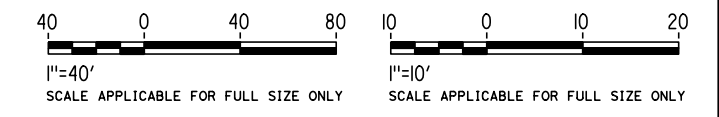


TYPICAL SECTION
SCALE 1" = 10'

ELEVATION
SCALE 1" = 40'



PLAN
SCALE 1" = 40'



REV	DATE	BY	CHK	APP	DESCRIPTION

DESIGNED BY
R. BARTON
DRAWN BY
B. MOZAFFARIAN
CHECKED BY
D. KASAWDISH
IN CHARGE
G. CAMPBELL
DATE
01/29/2021

RECORD SET
PEPD
SUBMITTAL

NOT FOR
CONSTRUCTION



CALIFORNIA HIGH-SPEED RAIL PROJECT
BAKERSFIELD TO PALMDALE
ALTERNATIVES 1,2,3
ROADWAY STRUCTURES
AVENUE J OVERHEAD
PLAN AND ELEVATION

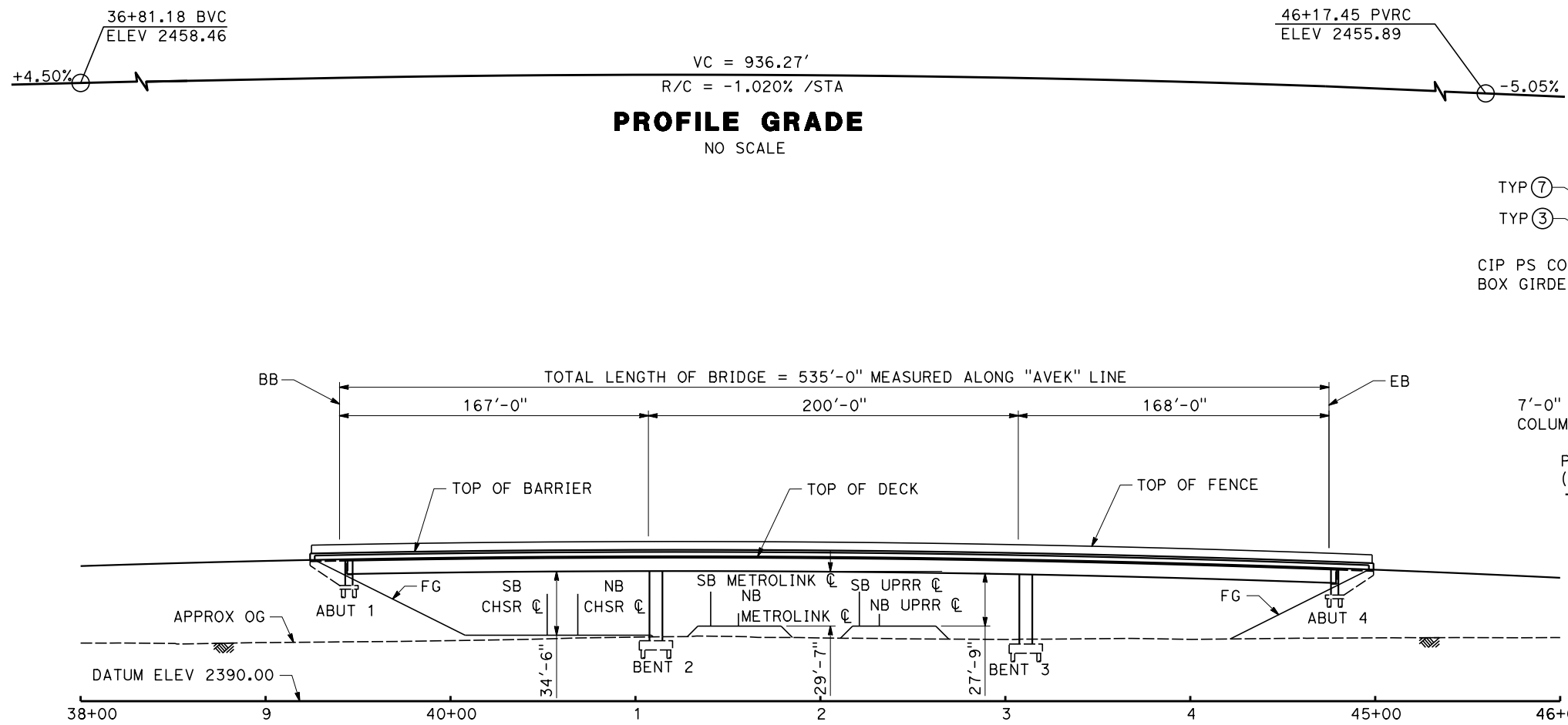
CONTRACT NO.
HSR13-44
DRAWING NO.
ST-K1028
SCALE
AS SHOWN
SHEET NO.
208

Projects\701206.00_CHSRBP\00_CADD\Sheet_Files\ST\BP-ST-K1029

3:19:35 AM

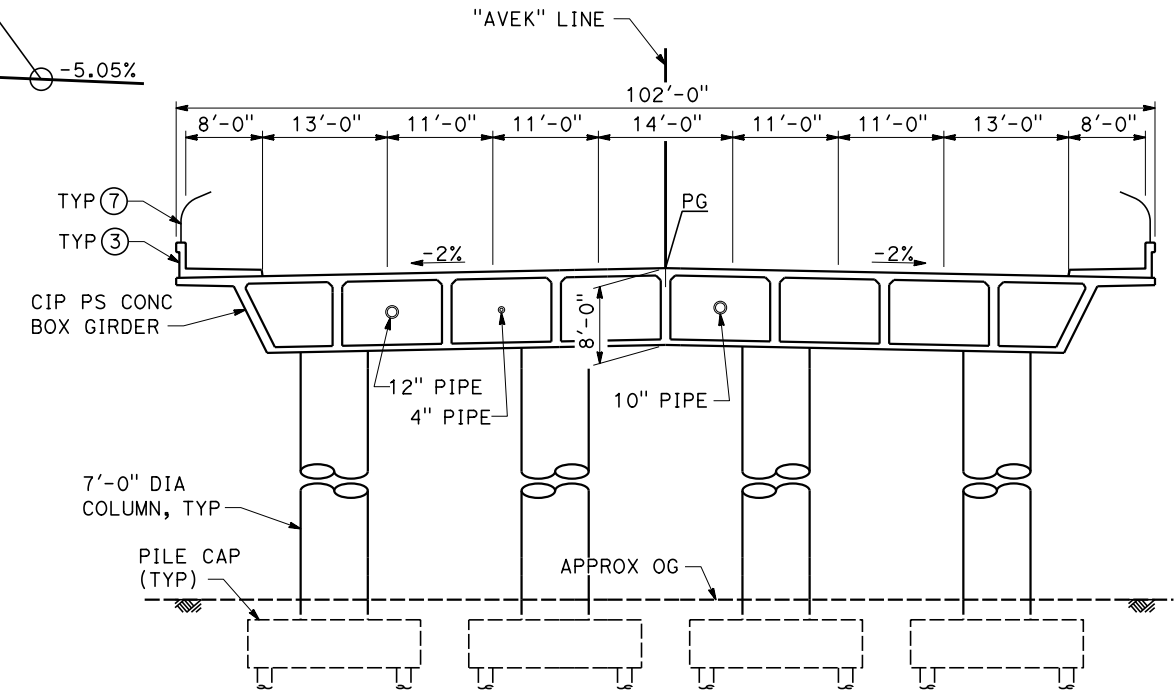
1/21/2021

ics_user_17609

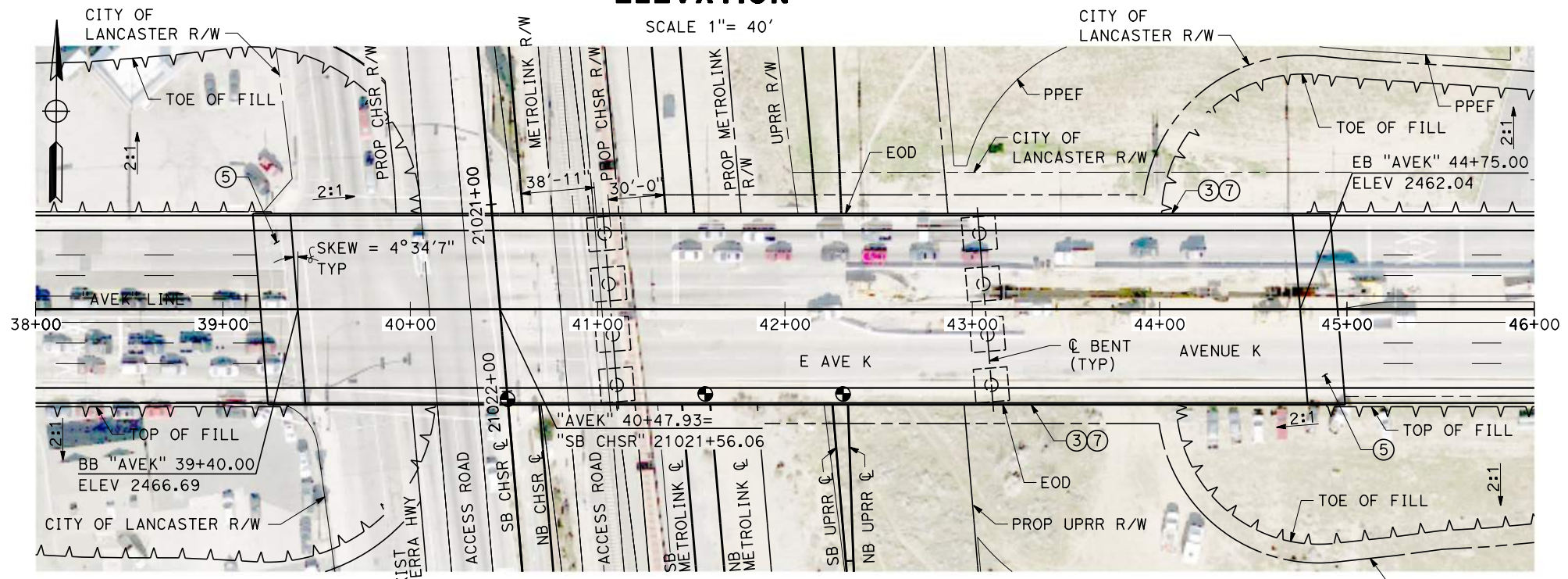


PROFILE GRADE
NO SCALE

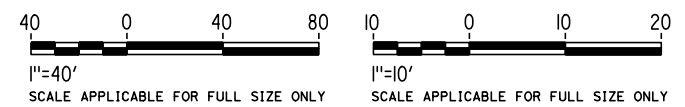
ELEVATION
SCALE 1" = 40'



TYPICAL SECTION
SCALE 1" = 10'



PLAN
SCALE 1" = 40'



REV	DATE	BY	CHK	APP	DESCRIPTION

DESIGNED BY
R. BARTON
DRAWN BY
B. MOZAFFARIAN
CHECKED BY
D. KASAWDISH
IN CHARGE
G. CAMPBELL
DATE
01/29/2021

RECORD SET
PEPD
SUBMITTAL

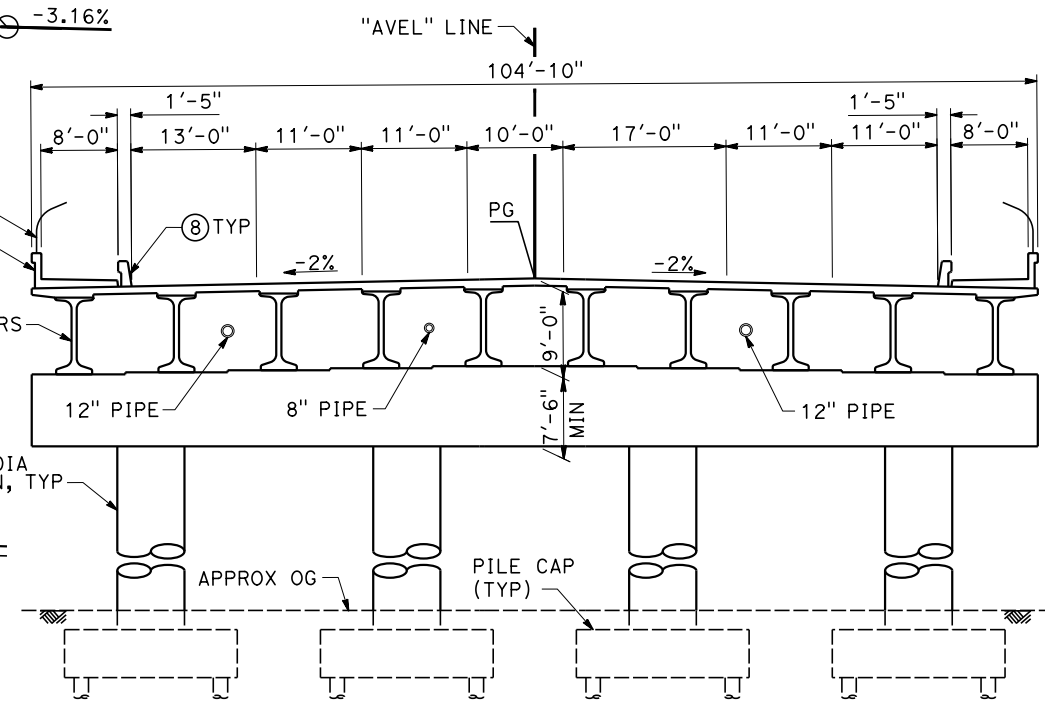
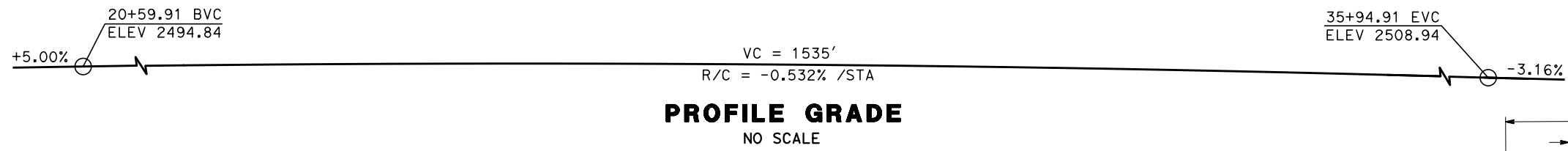
NOT FOR
CONSTRUCTION



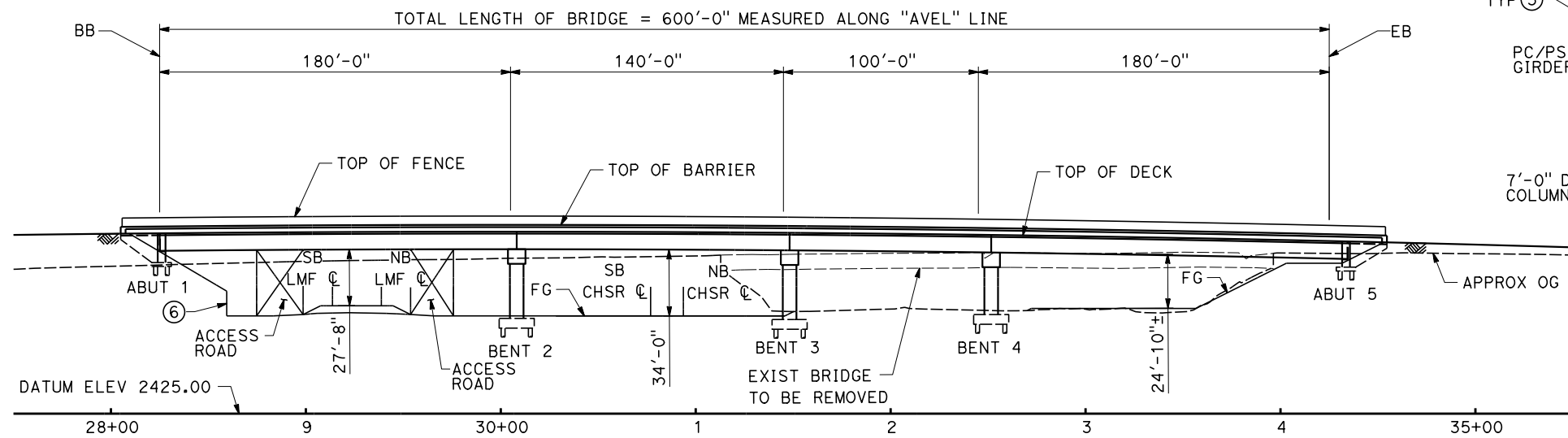
CALIFORNIA HIGH-SPEED RAIL PROJECT
BAKERSFIELD TO PALMDALE
ALTERNATIVES 1,2,3
ROADWAY STRUCTURES
AVENUE K OVERHEAD
PLAN AND ELEVATION

CONTRACT NO.
HSR13-44
DRAWING NO.
ST-K1029
SCALE
AS SHOWN
SHEET NO.
209

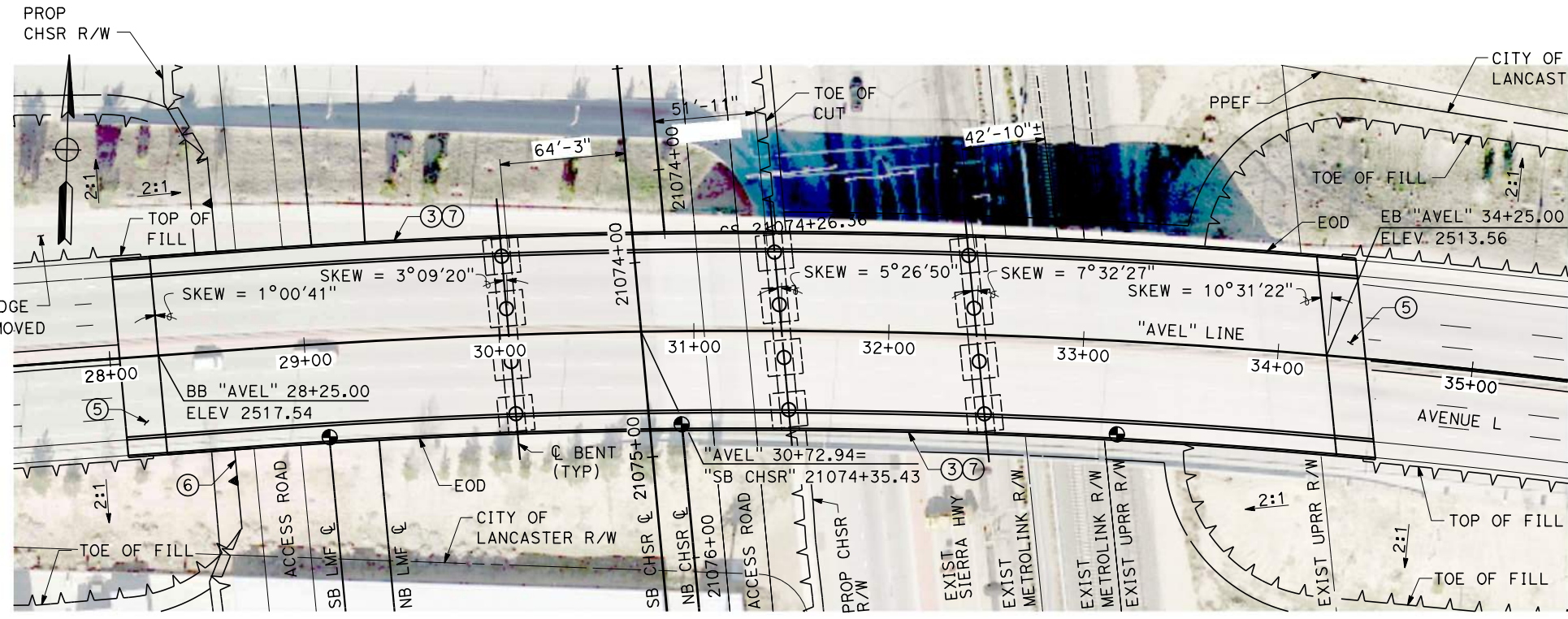
Projects\701206_00_CHSRBP\00_CADD\Sheet Files\ST\BP-ST-K1030
3:20:35 AM
1/21/2021
ics_user_17609



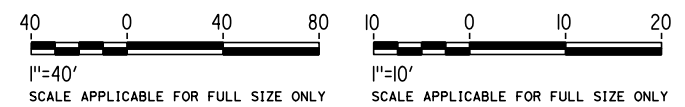
TYPICAL SECTION
SCALE 1" = 10'



ELEVATION
SCALE 1" = 40'



PLAN
SCALE 1" = 40'



REV	DATE	BY	CHK	APP	DESCRIPTION

DESIGNED BY
R. BARTON

DRAWN BY
B. MOZAFFARIAN

CHECKED BY
D. KASAWDISH

IN CHARGE
G. CAMPBELL

DATE
01/29/2021

RECORD SET
PEPD
SUBMITTAL

NOT FOR
CONSTRUCTION



CALIFORNIA HIGH-SPEED RAIL PROJECT
BAKERSFIELD TO PALMDALE

ALTERNATIVES 1,2,3
ROADWAY STRUCTURES
AVENUE L OVERHEAD
PLAN AND ELEVATION

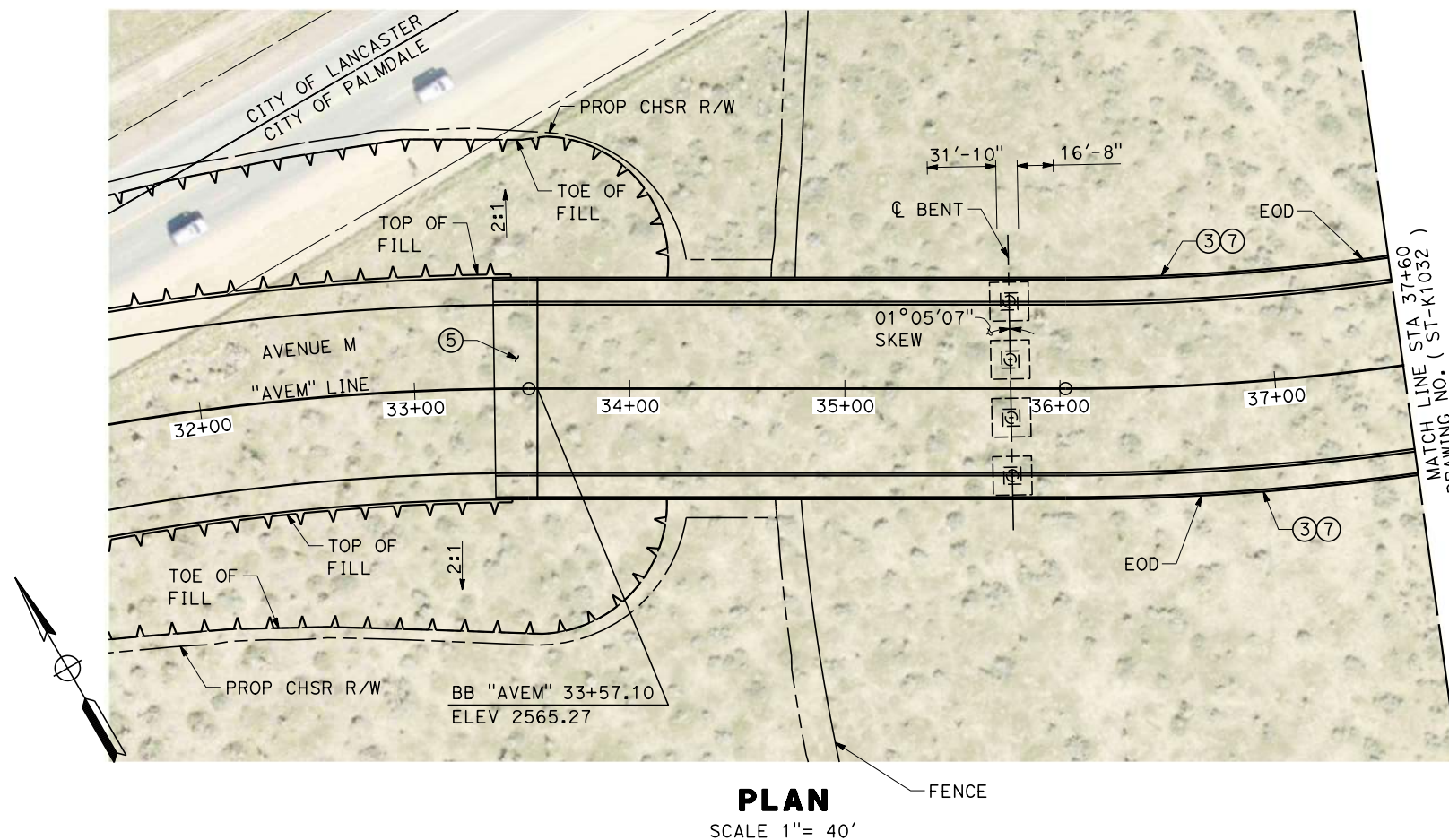
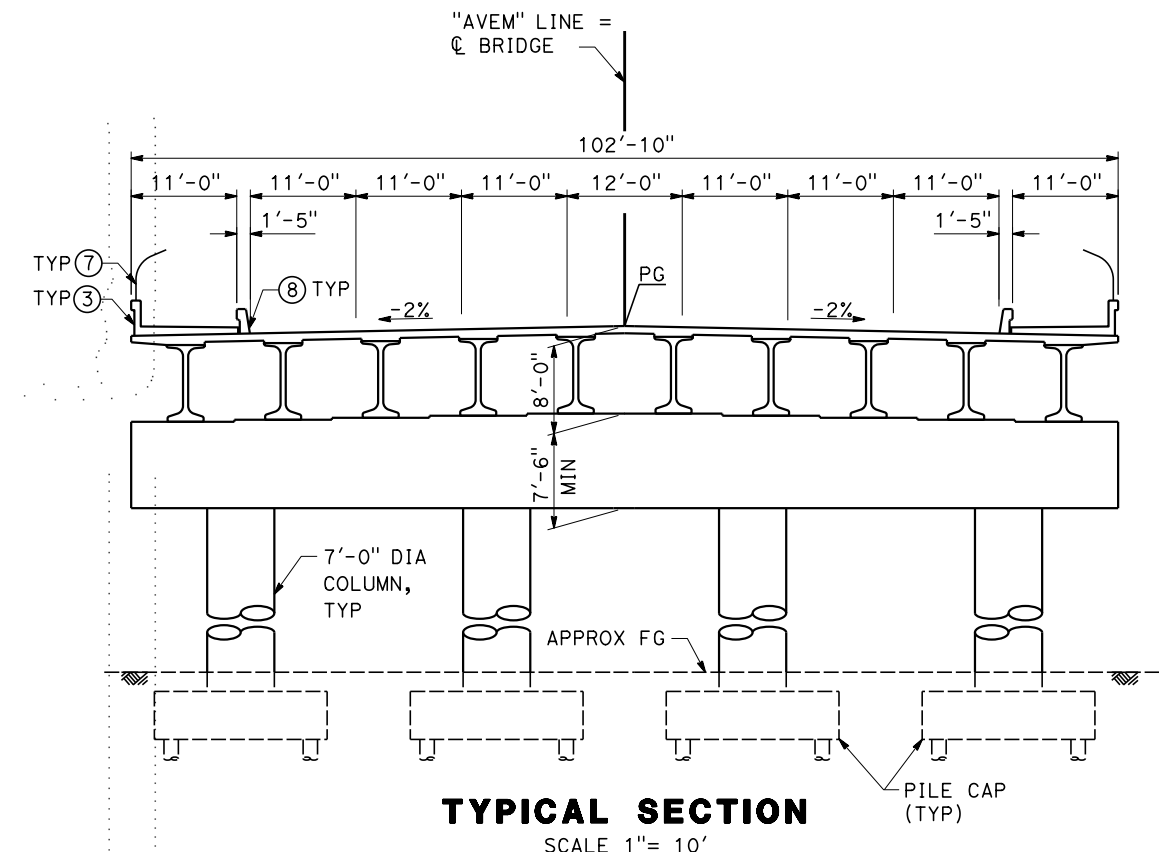
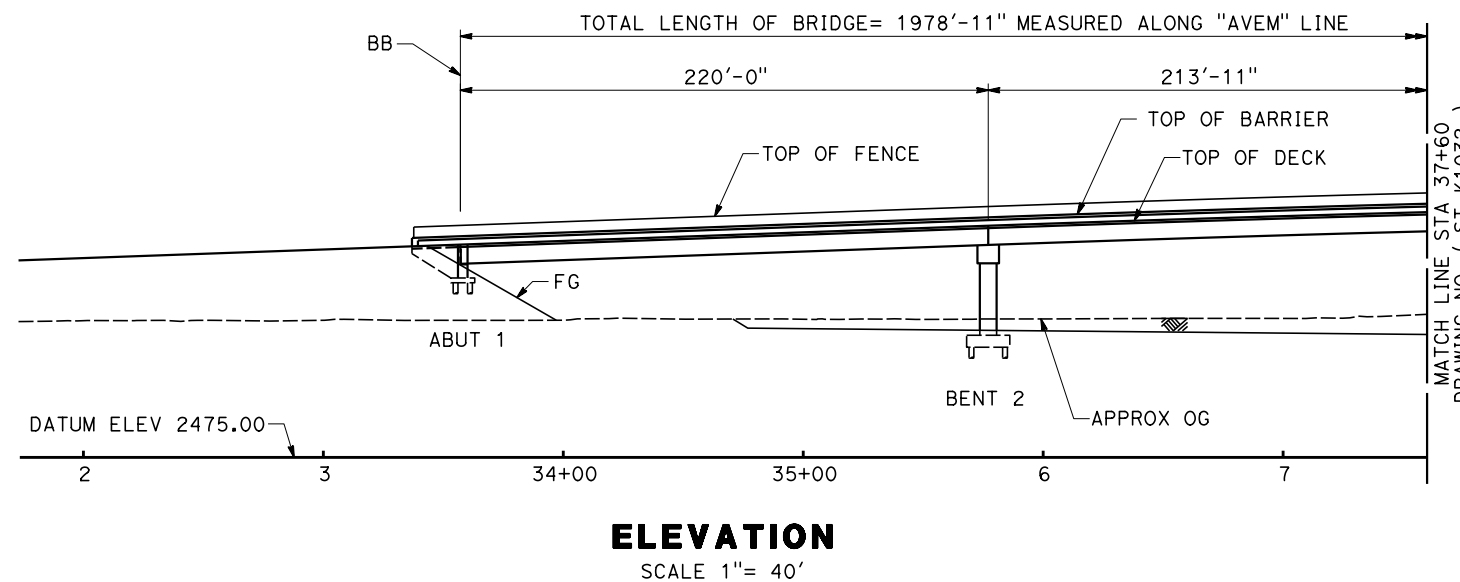
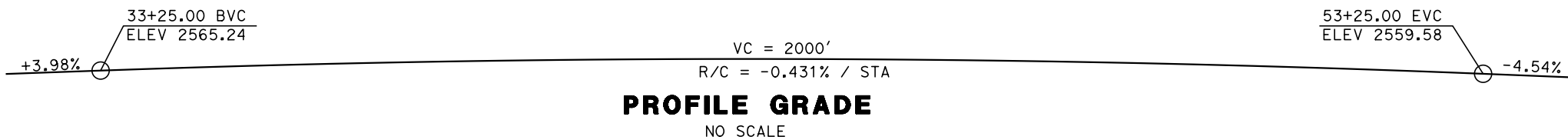
CONTRACT NO.
HSR13-44

DRAWING NO.
ST-K1030

SCALE
AS SHOWN

SHEET NO.
210

Projects\701206_00_CHSRBP\00_CADD\Sheet_Files\ST\BP-ST-K1031
 1/21/2021 3:19:55 AM
 _ics_user_17609



REV	DATE	BY	CHK	APP	DESCRIPTION

DESIGNED BY
R. BARTON

DRAWN BY
B. MOZAFFARIAN

CHECKED BY
D. KASAWDISH

IN CHARGE
G. CAMPBELL

DATE
01/29/2021

RECORD SET
PEPD
SUBMITTAL

NOT FOR
CONSTRUCTION



CALIFORNIA HIGH-SPEED RAIL PROJECT
BAKERSFIELD TO PALMDALE

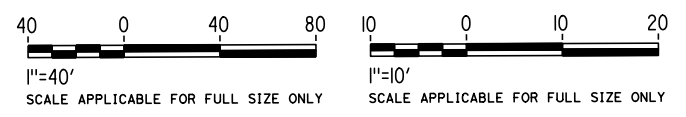
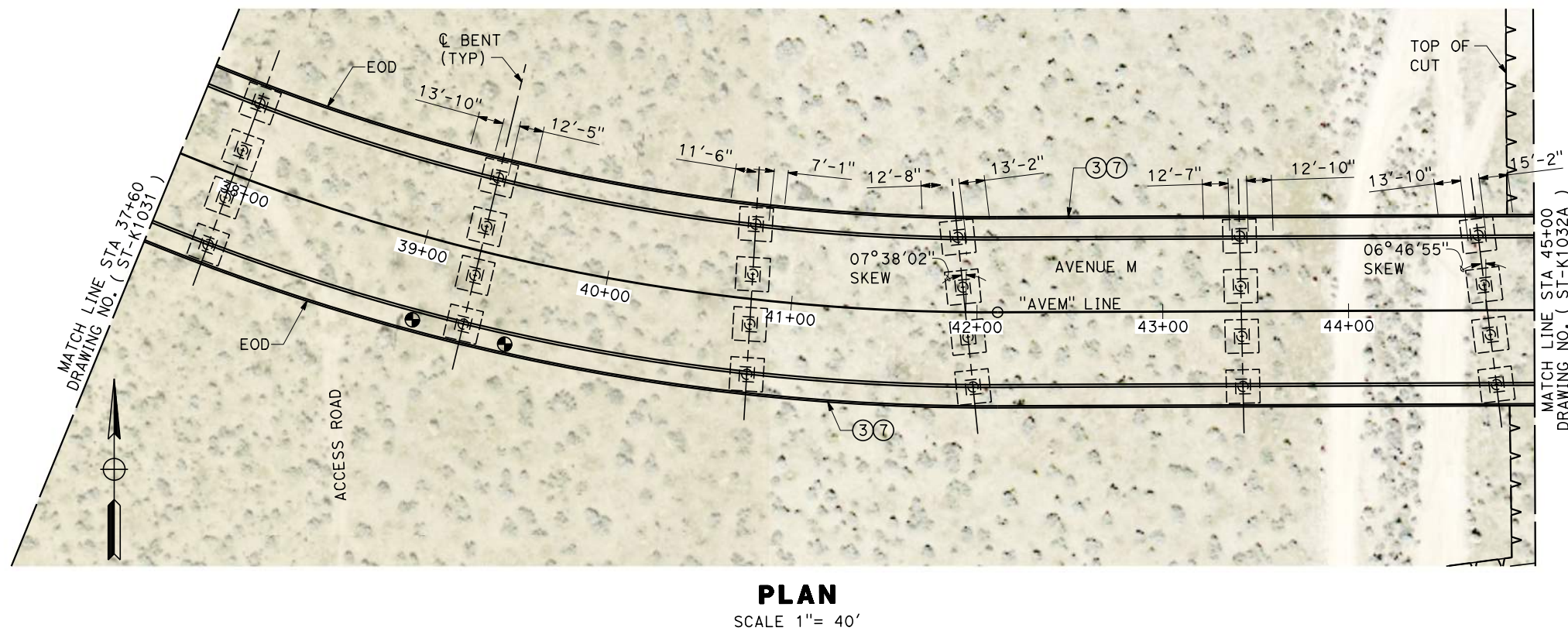
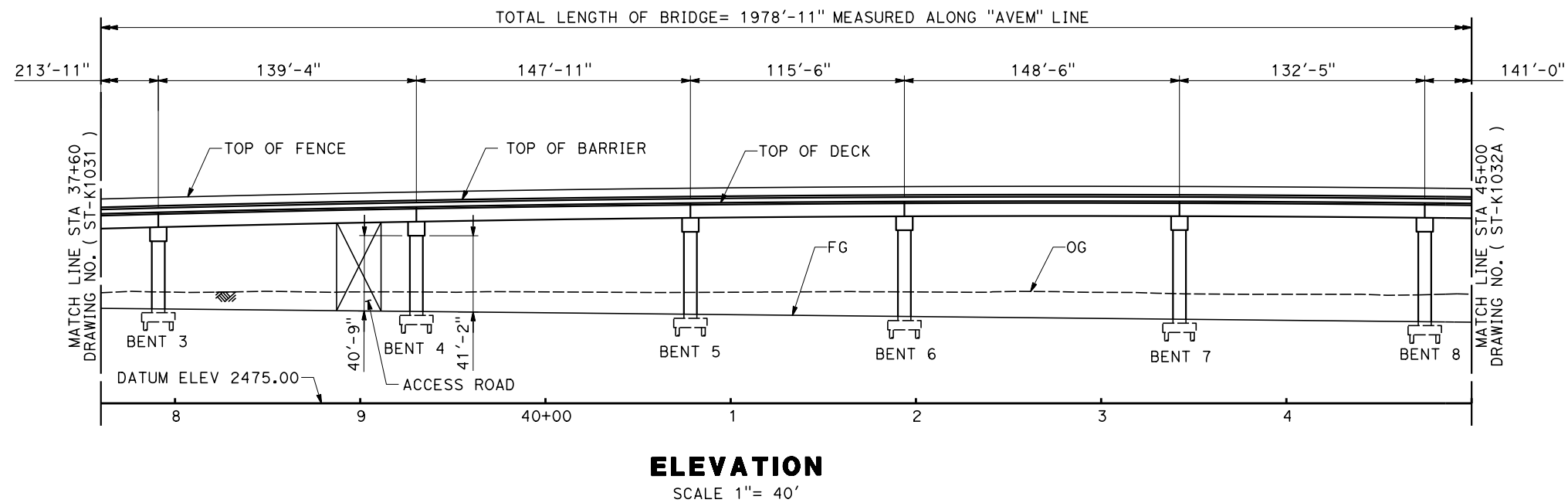
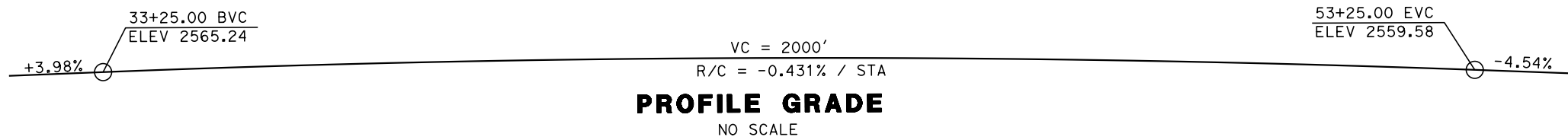
ALTERNATIVES 1,2,3
ROADWAY STRUCTURES
AVENUE M OVERHEAD
PLAN AND ELEVATION

CONTRACT NO.
HSR13-44

DRAWING NO.
ST-K1031

SCALE
AS SHOWN

SHEET NO.
211



Projects\701206_00_CHSRBP\00_CADD\Sheet_Files\ST\BP-ST-K1032 1/21/2021 3:19:04 AM jcs_user_17609

REV	DATE	BY	CHK	APP	DESCRIPTION

DESIGNED BY
R. BARTON
DRAWN BY
B. MOZAFFARIAN
CHECKED BY
D. KASAWDISH
IN CHARGE
G. CAMPBELL
DATE
01/29/2021

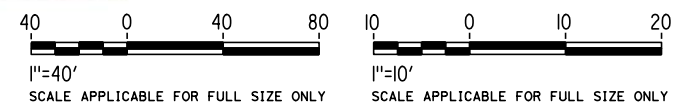
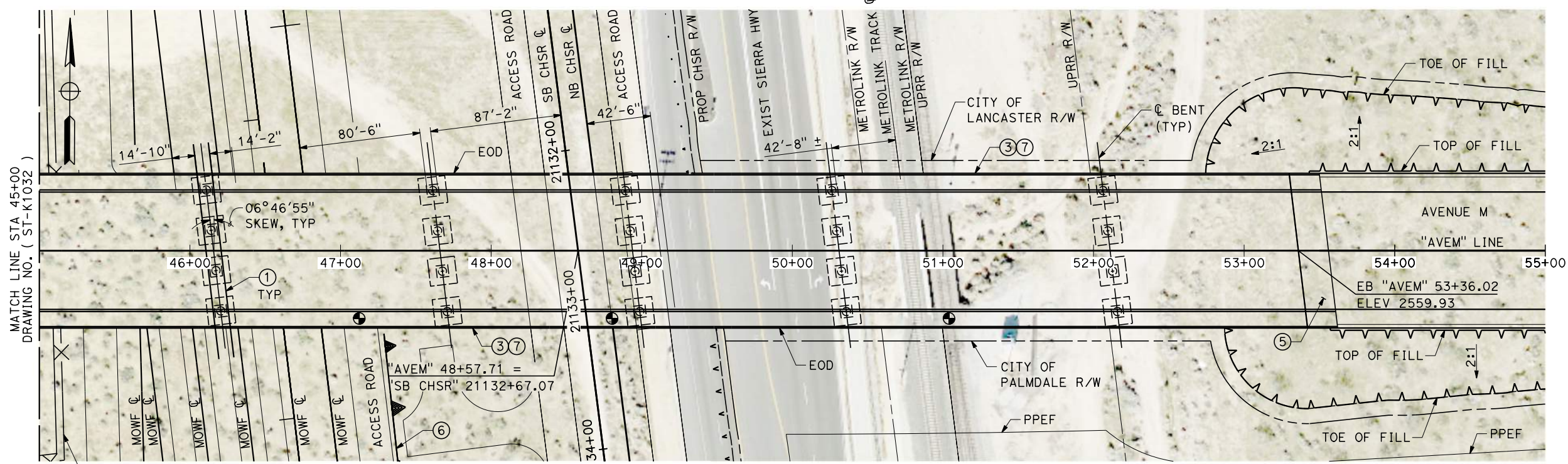
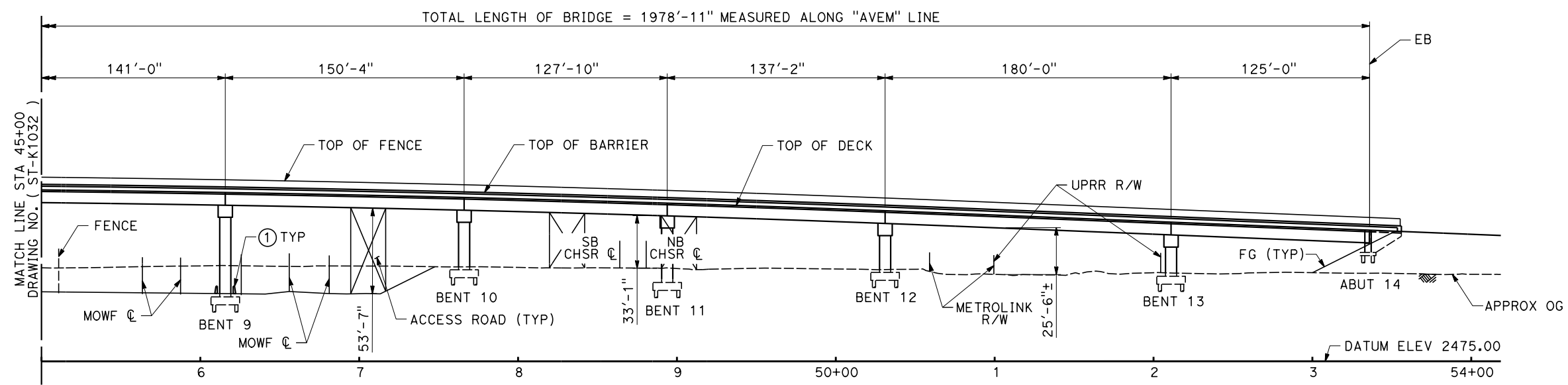
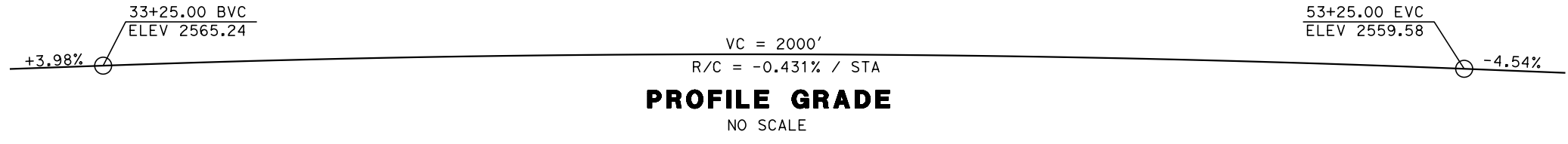
RECORD SET
PEPD
SUBMITTAL

NOT FOR
CONSTRUCTION



CALIFORNIA HIGH-SPEED RAIL PROJECT
BAKERSFIELD TO PALMDALE
ALTERNATIVES 1,2,3
ROADWAY STRUCTURES
AVENUE M OVERHEAD
PLAN AND ELEVATION

CONTRACT NO.
HSR13-44
DRAWING NO.
ST-K1032
SCALE
AS SHOWN
SHEET NO.
212



Projects\701206_00_CHSRBP\00_CADD\Sheet_Files\ST\BP-ST-K1032A

3:19:59 AM

1/21/2021

ics_user_17609

REV	DATE	BY	CHK	APP	DESCRIPTION

DESIGNED BY
R. BARTON

DRAWN BY
B. MOZAFFARIAN

CHECKED BY
D. KASAWDISH

IN CHARGE
G. CAMPBELL

DATE
01/29/2021

RECORD SET
PEPD
SUBMITTAL

NOT FOR
CONSTRUCTION



CALIFORNIA HIGH-SPEED RAIL PROJECT
BAKERSFIELD TO PALMDALE

ALTERNATIVES 1,2,3
ROADWAY STRUCTURES
AVENUE M OVERHEAD
PLAN AND ELEVATION

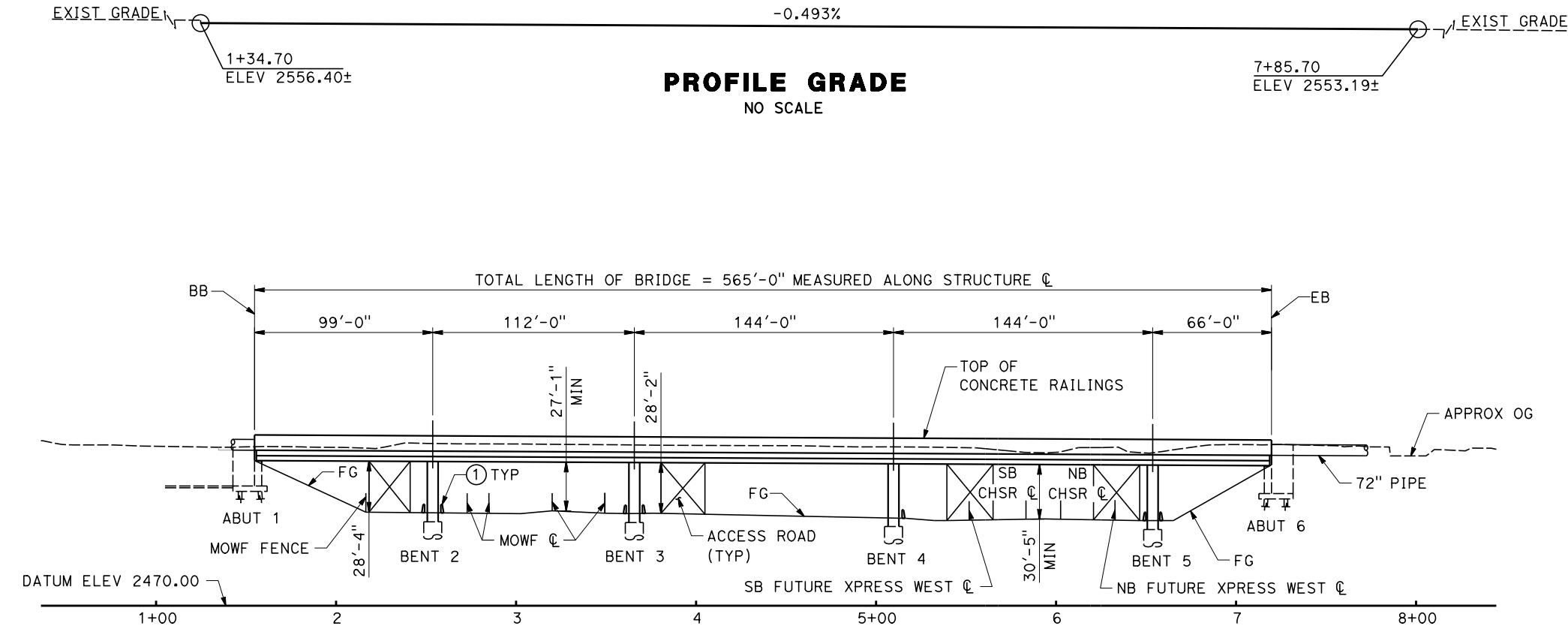
CONTRACT NO.
HSR13-44

DRAWING NO.
ST-K1032A

SCALE
AS SHOWN

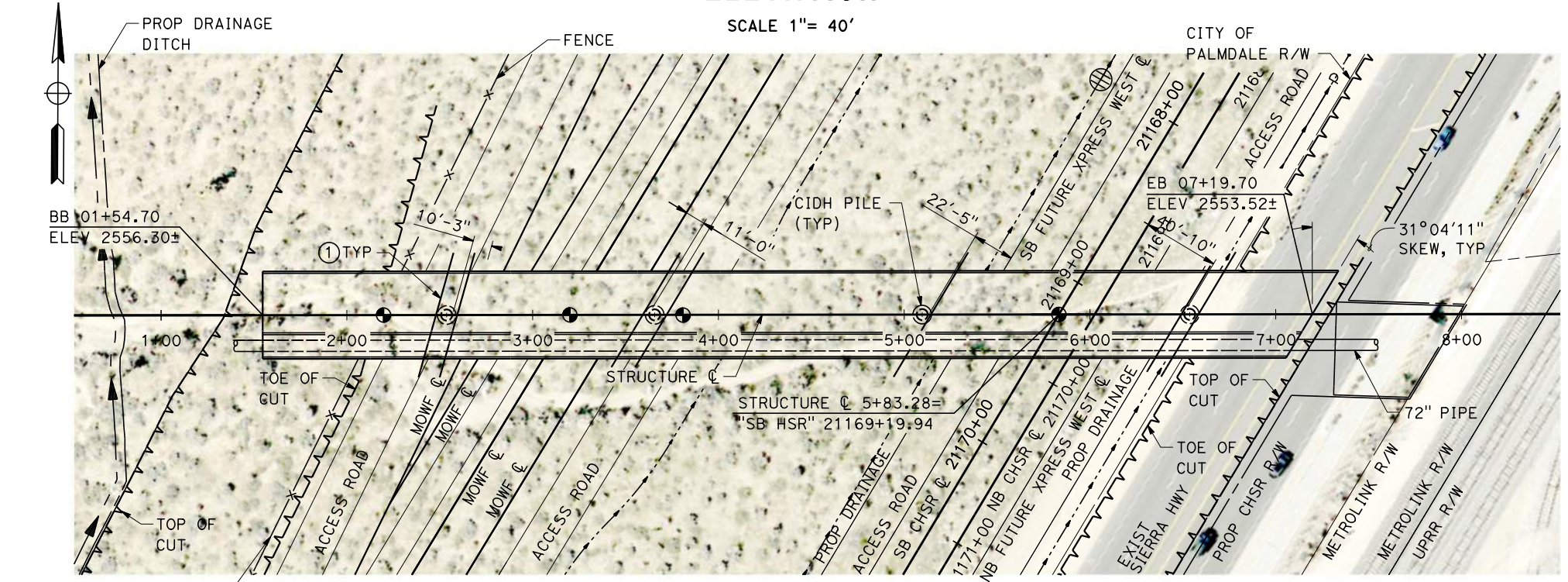
SHEET NO.
213

Projects\701206_00_CHSRBP\00_CADD\Sheet_Files\ST\BP-ST-K1033 1/21/2021 3:19:34 AM jcs_user_17609



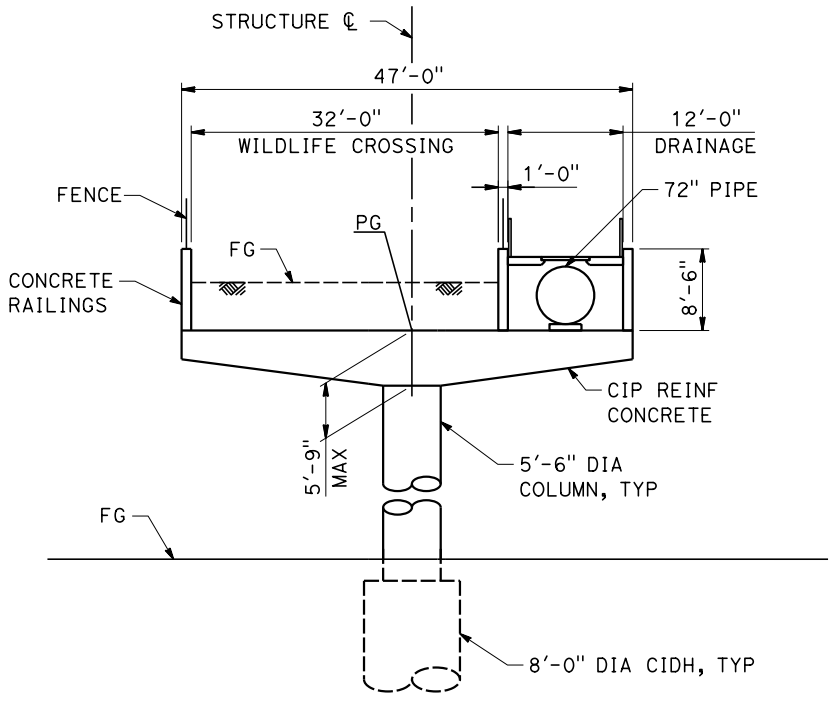
ELEVATION

SCALE 1"= 40'



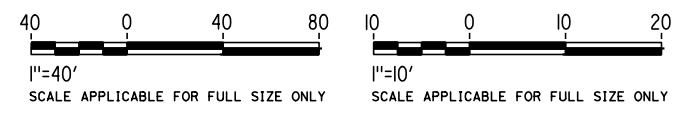
PLAN

SCALE 1"= 40'



TYPICAL SECTION

SCALE 1"= 10'



REV	DATE	BY	CHK	APP	DESCRIPTION

DESIGNED BY
R. BARTON
DRAWN BY
B. MOZAFFARIAN
CHECKED BY
D. KASAWDISH
IN CHARGE
G. CAMPBELL
DATE
01/29/2021

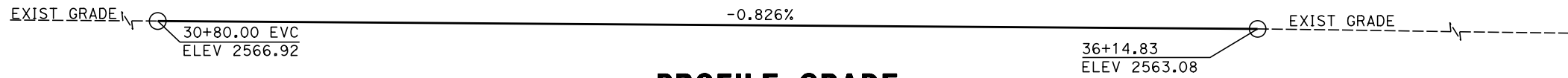
RECORD SET
PEPD
SUBMITTAL

NOT FOR CONSTRUCTION

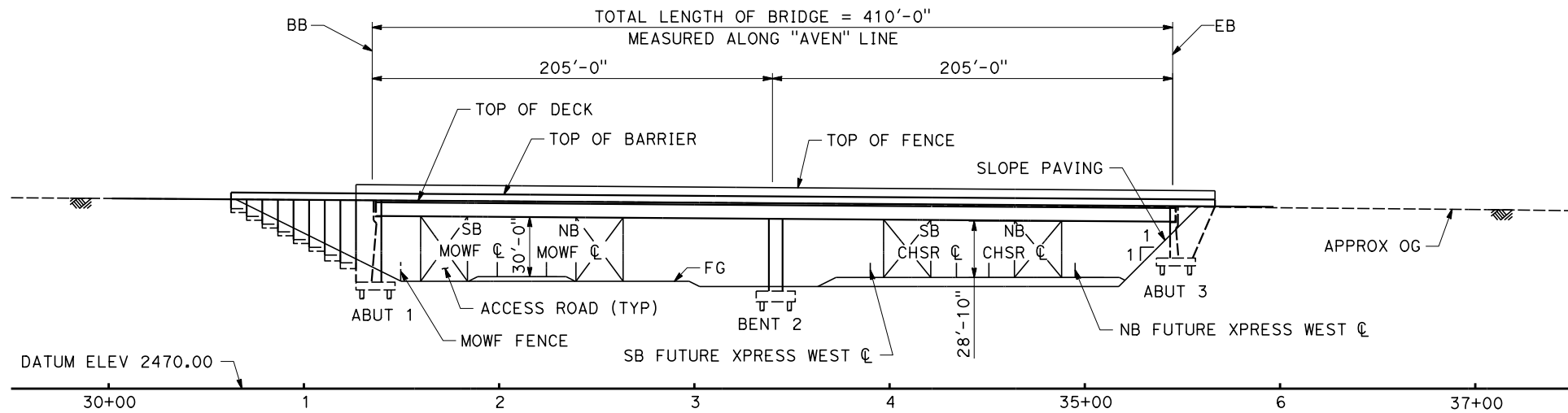


CALIFORNIA HIGH-SPEED RAIL PROJECT
BAKERSFIELD TO PALMDALE
ALTERNATIVE 1,2,3
ROADWAY STRUCTURES
DRAINAGE AND WILDLIFE CROSSING OVERHEAD
PLAN AND ELEVATION

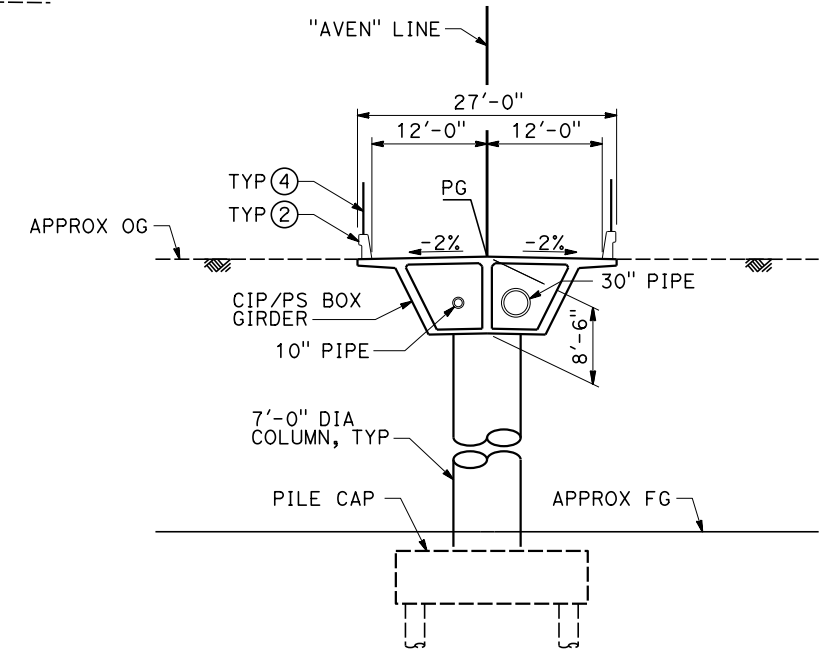
CONTRACT NO.
HSR13-44
DRAWING NO.
ST-K1033
SCALE
AS SHOWN
SHEET NO.
214



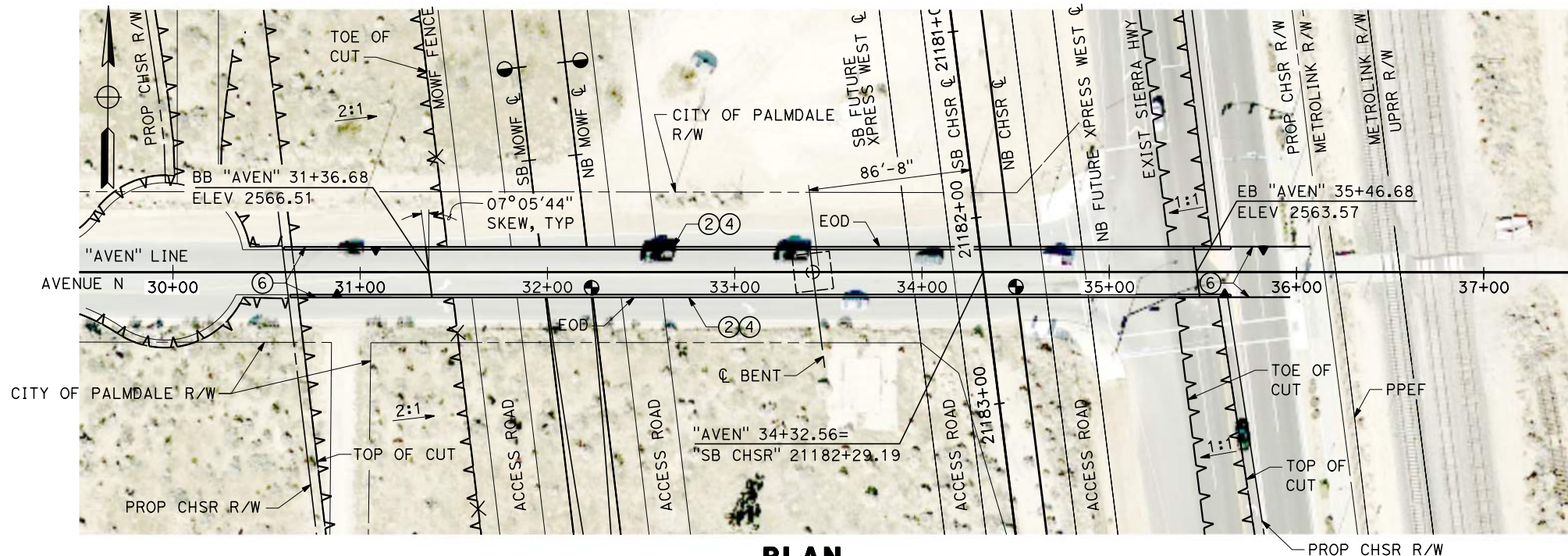
PROFILE GRADE
NO SCALE



ELEVATION
SCALE 1"= 40'



TYPICAL SECTION
SCALE 1"= 10'



PLAN
SCALE 1"= 40'



Projects\701206_00_CHSRBP\00_CADD\Sheet_Files\ST\BP-ST-K1034
1/21/2021 3:19:24 AM
ics_user_17609

REV	DATE	BY	CHK	APP	DESCRIPTION

DESIGNED BY
R. BARTON
DRAWN BY
B. MOZAFFARIAN
CHECKED BY
D. KASAWDISH
IN CHARGE
G. CAMPBELL
DATE
01/29/2021

RECORD SET
PEPD
SUBMITTAL

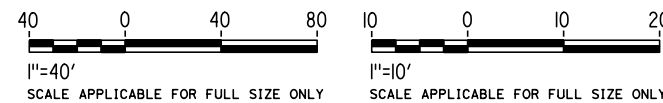
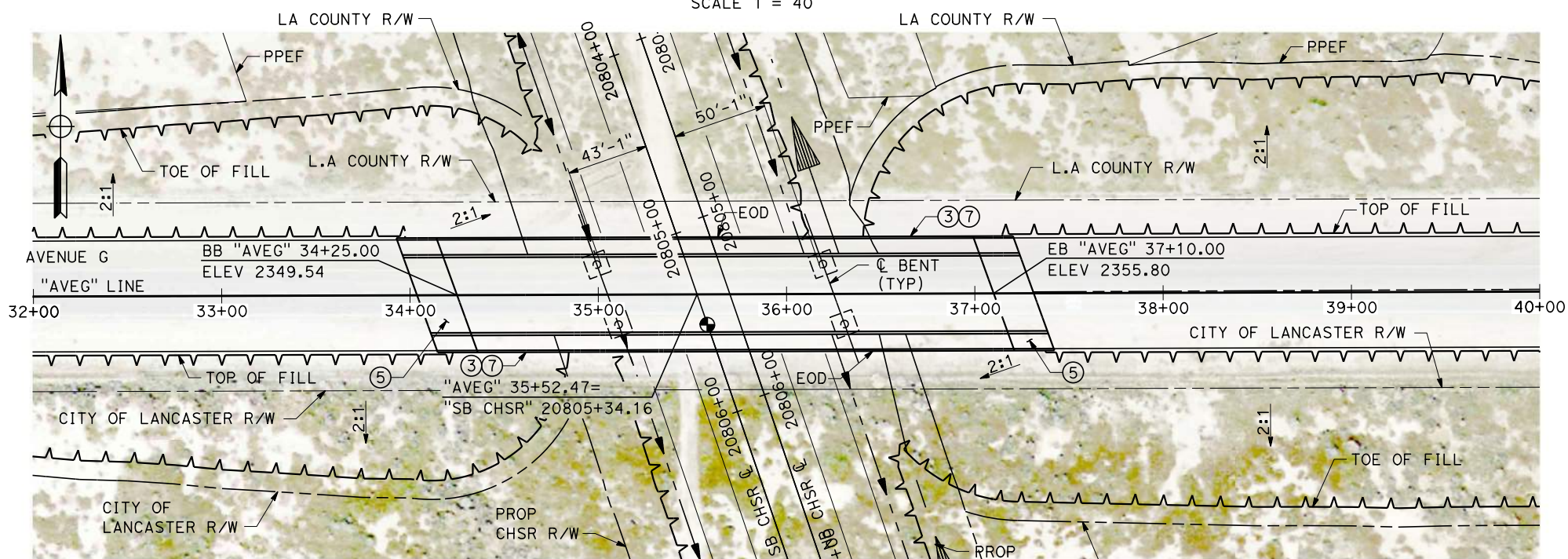
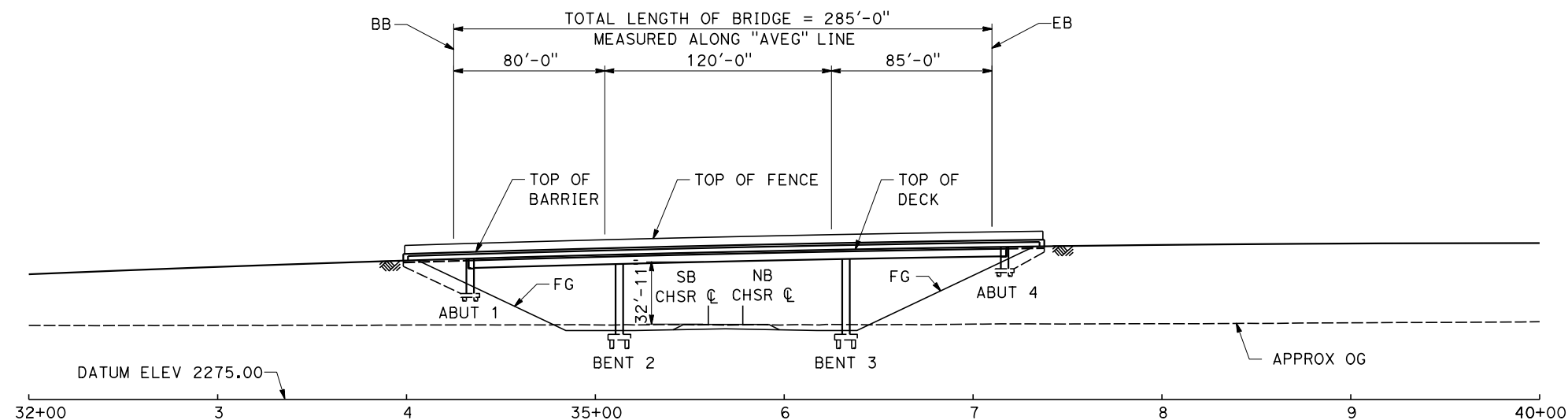
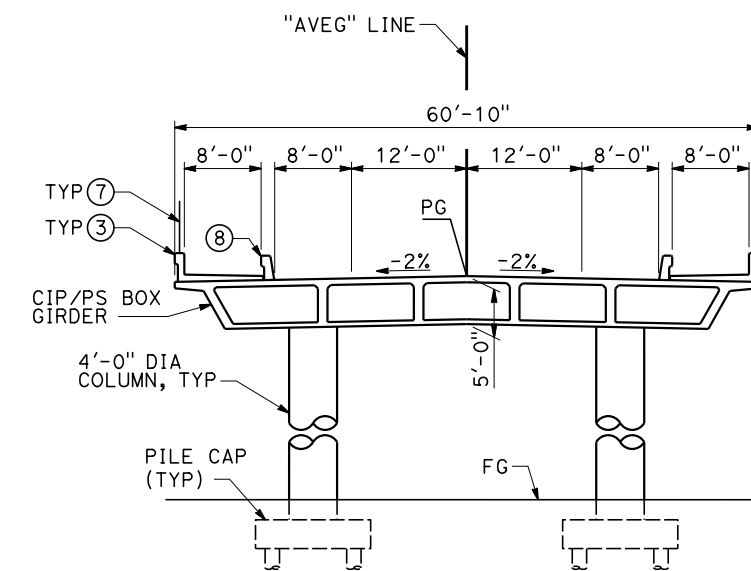
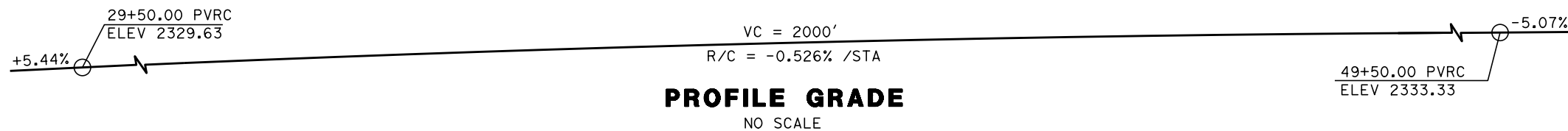
NOT FOR
CONSTRUCTION



CALIFORNIA HIGH-SPEED RAIL PROJECT
BAKERSFIELD TO PALMDALE
ALTERNATIVES 1,2,3
ROADWAY STRUCTURES
AVENUE N OVERHEAD
PLAN AND ELEVATION

CONTRACT NO.
HSR13-44
DRAWING NO.
ST-K1034
SCALE
AS SHOWN
SHEET NO.
215

Projects\701206.00_CHSRBP\00_CADD\Sheet Files\ST\BP-ST-K1036
5:26:17 AM
1/20/2021
ics_user_17609



REV	DATE	BY	CHK	APP	DESCRIPTION

DESIGNED BY
R. BARTON
DRAWN BY
B. MOZAFFARIAN
CHECKED BY
D. KASAWDISH
IN CHARGE
G. CAMPBELL
DATE
01/29/2021

RECORD SET
PEPD
SUBMITTAL

NOT FOR
CONSTRUCTION



CALIFORNIA HIGH-SPEED RAIL PROJECT
BAKERSFIELD TO PALMDALE
ALTERNATIVE 5
ROADWAY STRUCTURES
AVENUE G OVERHEAD 1
PLAN AND ELEVATION

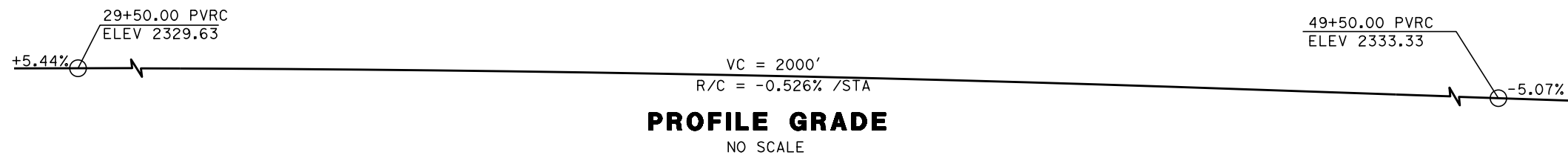
CONTRACT NO.
HSR13-44
DRAWING NO.
ST-K1036
SCALE
AS SHOWN
SHEET NO.
216

Projects\701206_00_CHSRBP\00_CADD\Sheet Files\ST\BP-ST-K1037

5:26:49 AM

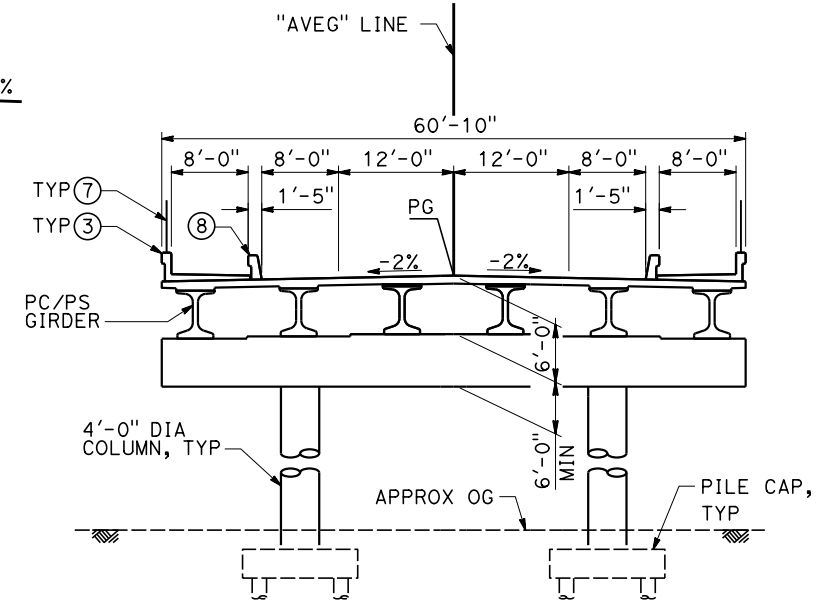
1/20/2021

ics_user_17609



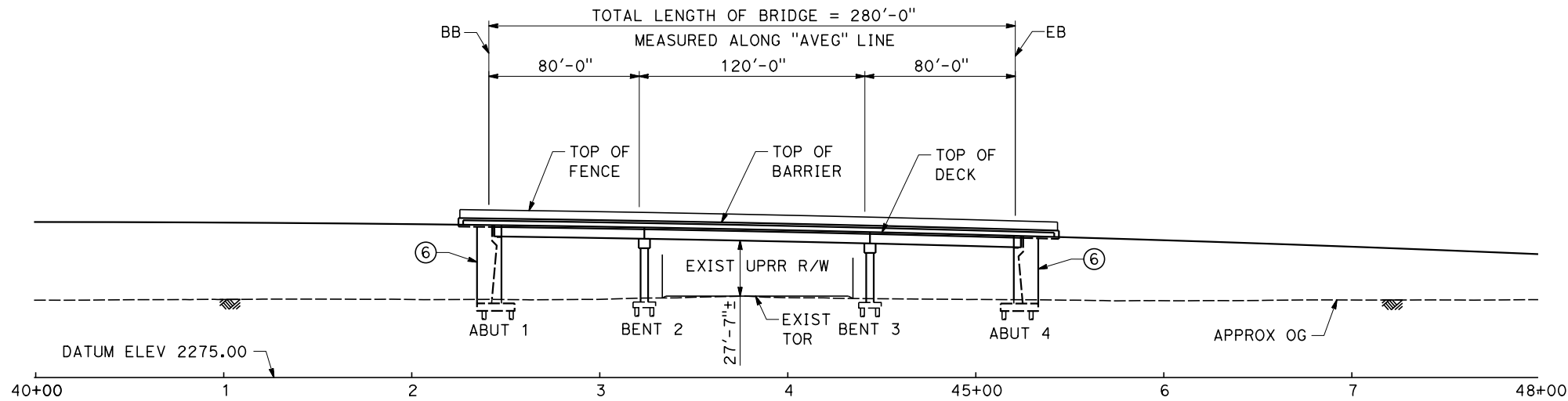
PROFILE GRADE

NO SCALE



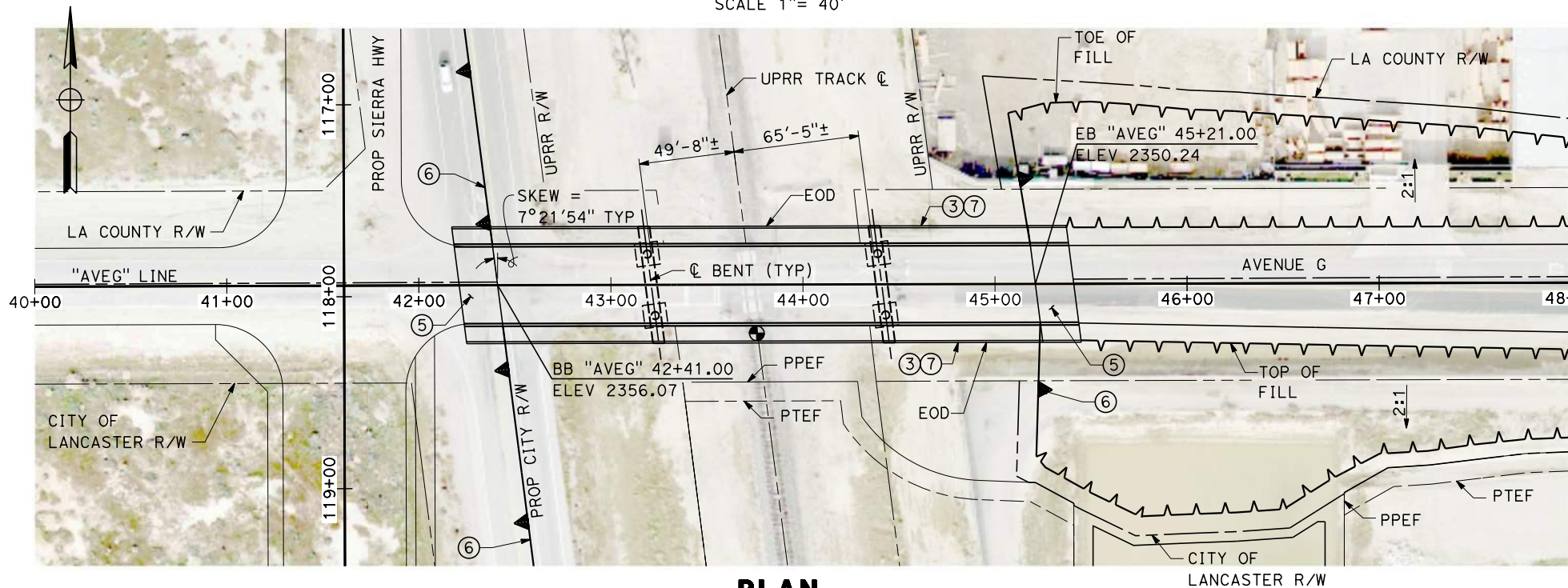
TYPICAL SECTION

NO SCALE



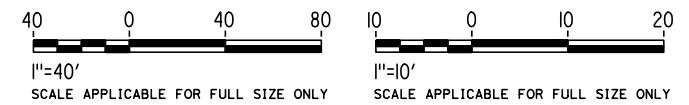
ELEVATION

SCALE 1" = 40'



PLAN

SCALE 1" = 40'



REV	DATE	BY	CHK	APP	DESCRIPTION

DESIGNED BY
R. BARTON
DRAWN BY
B. MOZAFFARIAN
CHECKED BY
D. KASAWDISH
IN CHARGE
G. CAMPBELL
DATE
01/29/2021

RECORD SET
PEPD
SUBMITTAL

NOT FOR
CONSTRUCTION



CALIFORNIA HIGH-SPEED RAIL PROJECT
BAKERSFIELD TO PALMDALE

ALTERNATIVE 5
ROADWAY STRUCTURES
AVENUE G OVERHEAD 2
PLAN AND ELEVATION

CONTRACT NO.
HSR13-44

DRAWING NO.
ST-K1037

SCALE
AS SHOWN

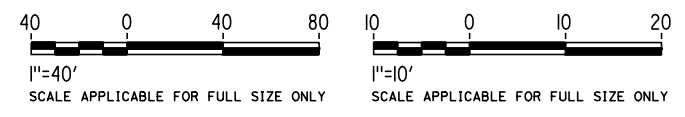
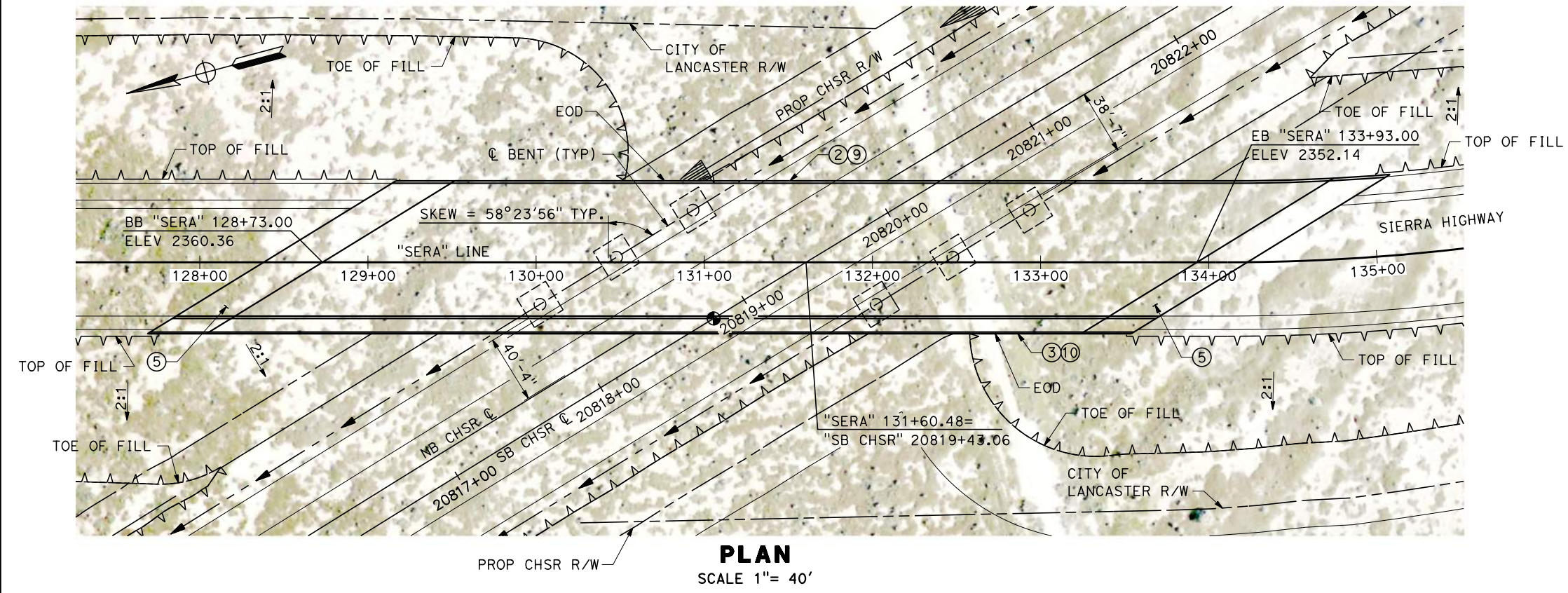
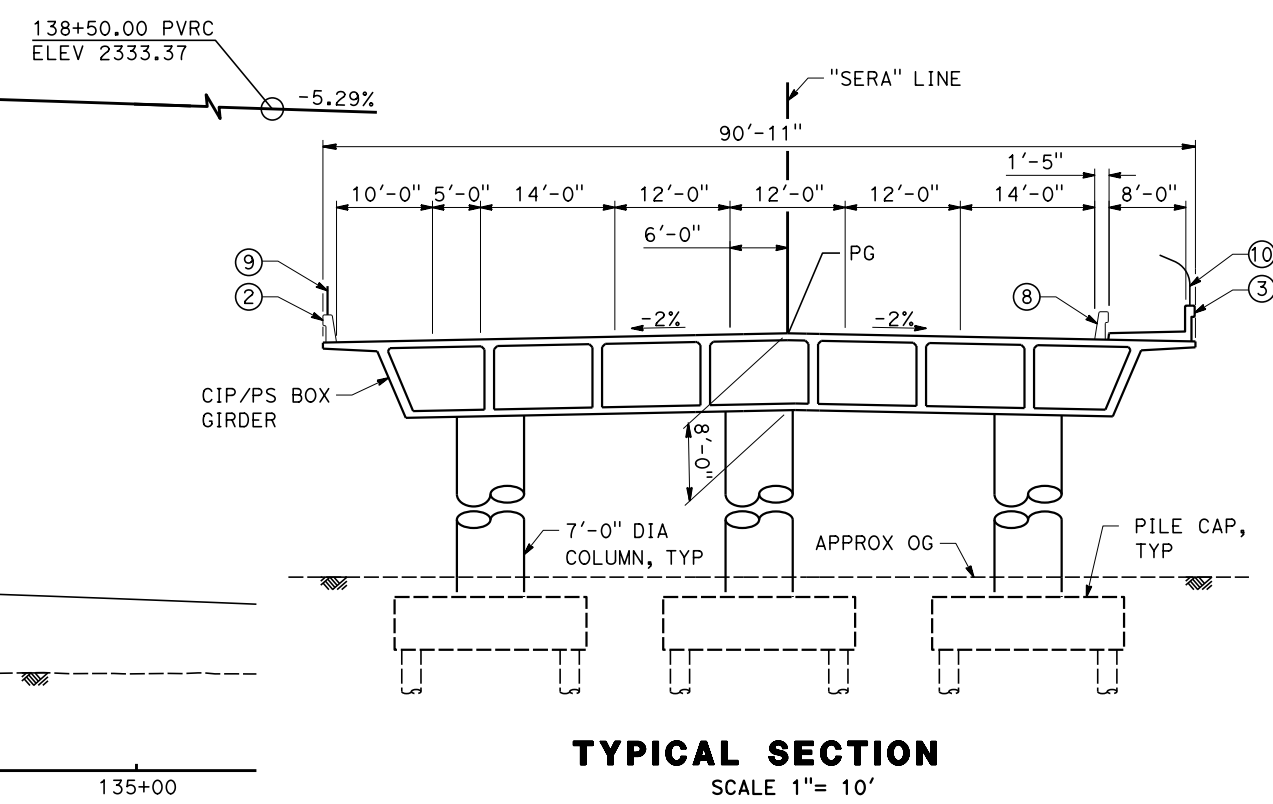
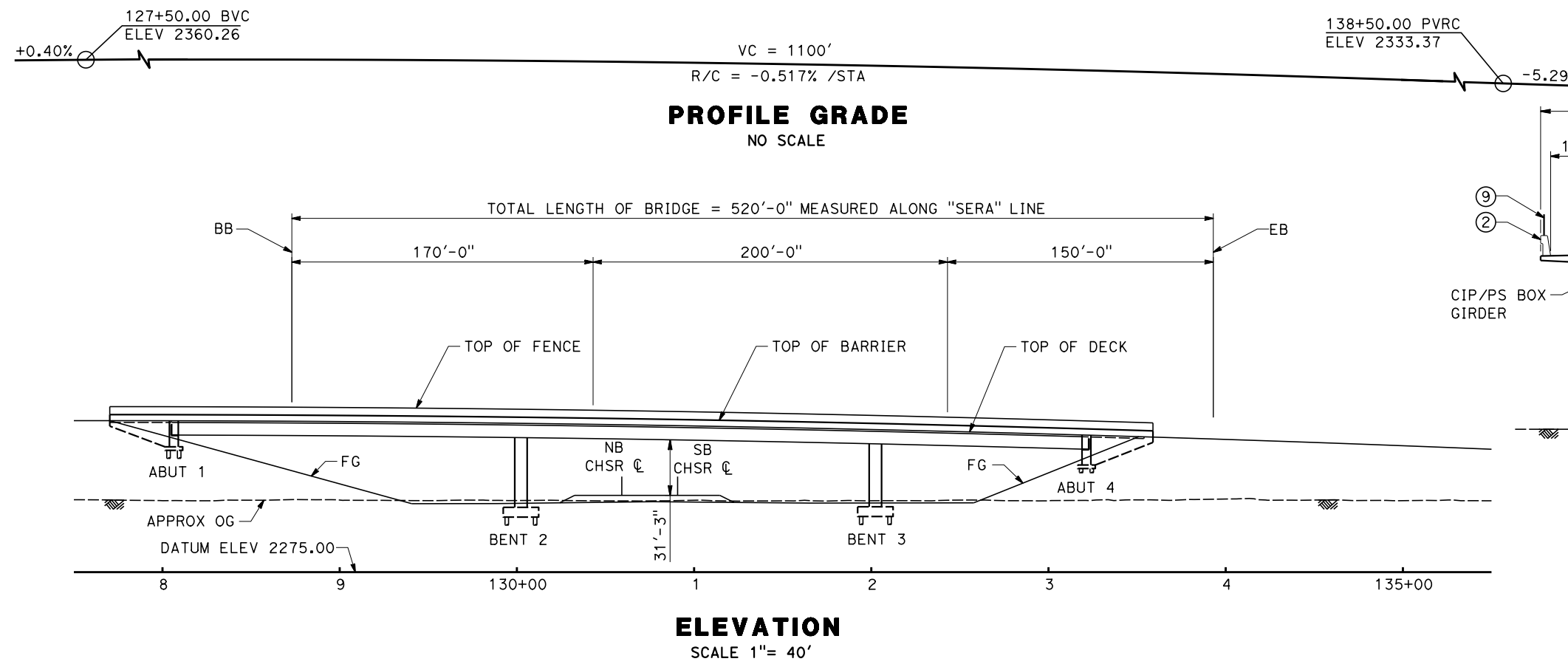
SHEET NO.
217

Projects\701206_00_CHSRBP_00_CADD\Sheet Files\ST\BP-ST-K1038

5:15:26 AM

1/20/2021

ics_user_17609



REV	DATE	BY	CHK	APP	DESCRIPTION

DESIGNED BY
R. BARTON

DRAWN BY
B. MOZAFFARIAN

CHECKED BY
D. KASAWDISH

IN CHARGE
G. CAMPBELL

DATE
01/29/2021

RECORD SET
PEPD
SUBMITTAL

NOT FOR
CONSTRUCTION



CALIFORNIA HIGH-SPEED RAIL PROJECT
BAKERSFIELD TO PALMDALE

ALTERNATIVE 5
ROADWAY STRUCTURES
SIERRA HIGHWAY OVERHEAD
PLAN AND ELEVATION

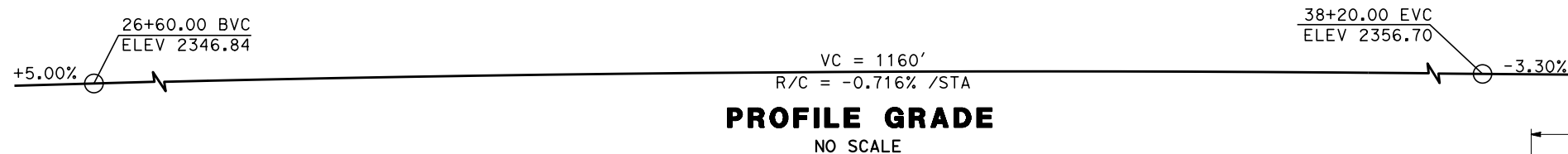
CONTRACT NO.
HSR13-44

DRAWING NO.
ST-K1038

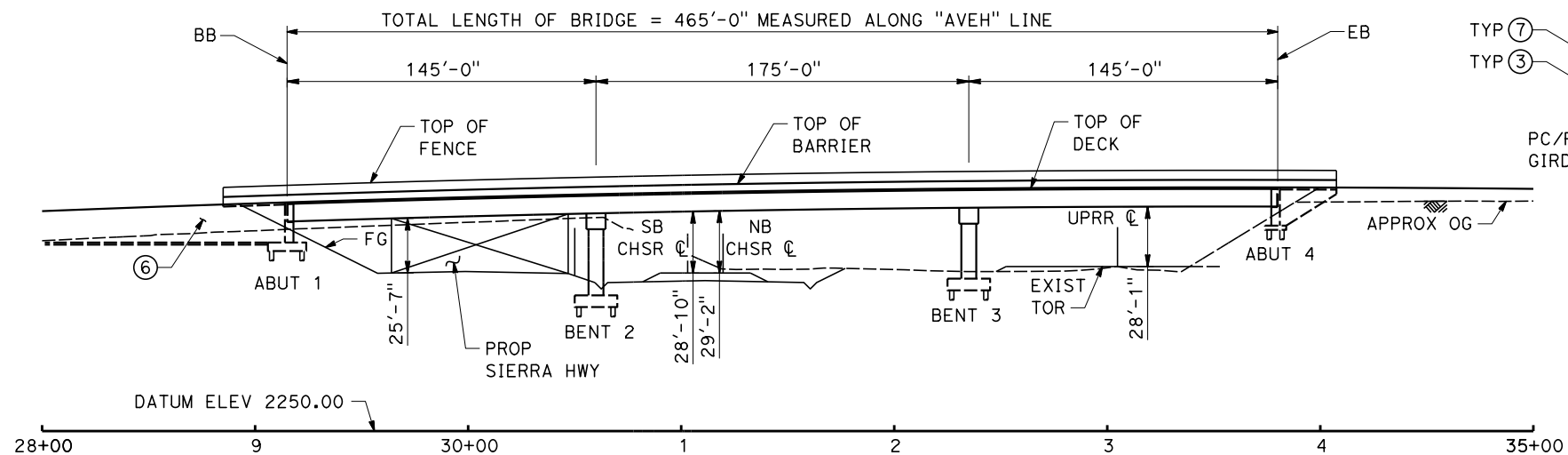
SCALE
AS SHOWN

SHEET NO.
218

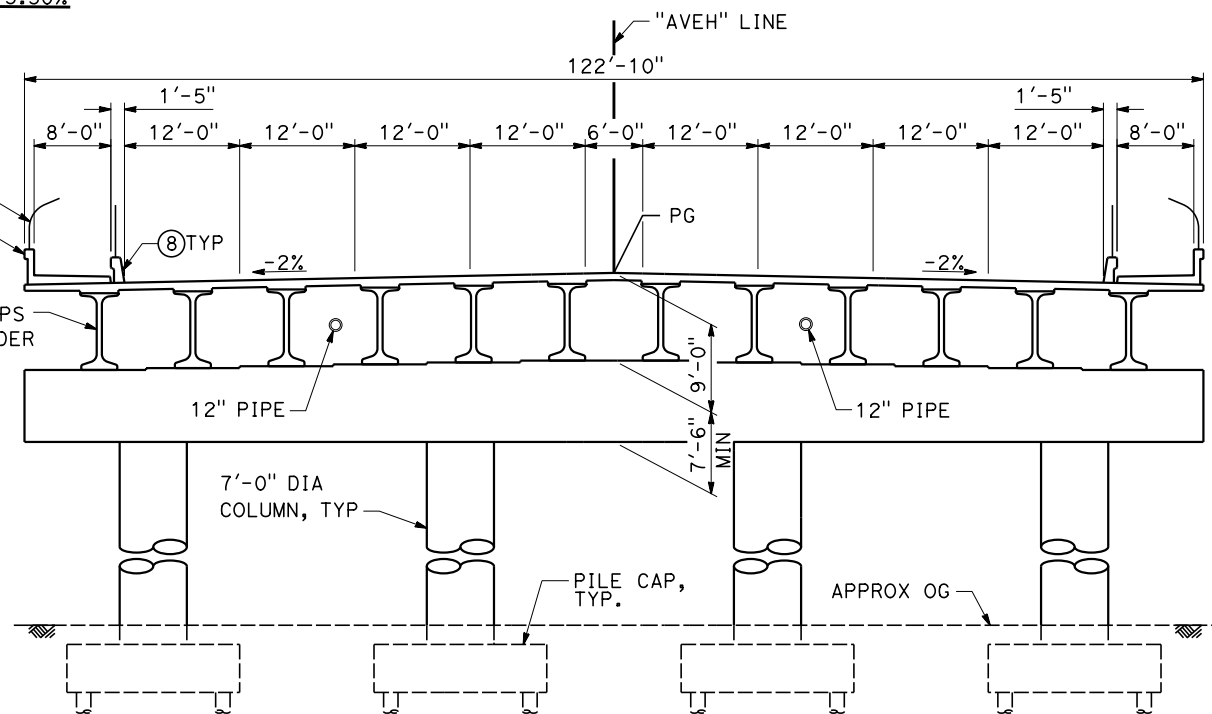
Projects\701206_00_CHSRBP\00_CADD\Sheet_Files\ST\BP-ST-K1039
 5:34:33 AM
 1/20/2021
 jcs_user_17609



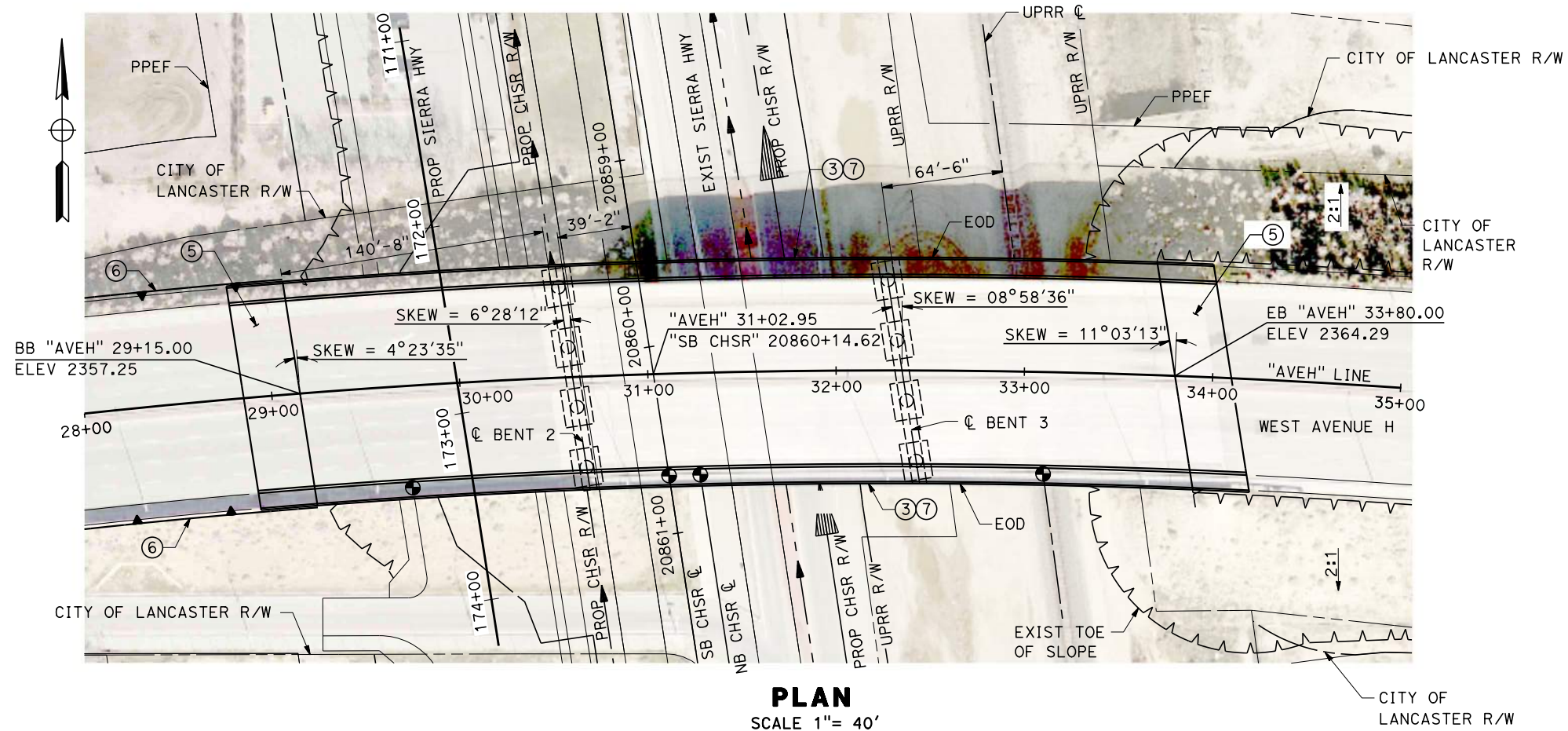
PROFILE GRADE
NO SCALE



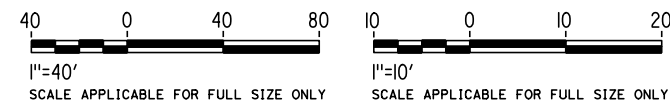
ELEVATION
SCALE 1" = 40'



TYPICAL SECTION
SCALE 1" = 10'



PLAN
SCALE 1" = 40'



REV	DATE	BY	CHK	APP	DESCRIPTION

DESIGNED BY
R. BARTON
 DRAWN BY
B. MOZAFFARIAN
 CHECKED BY
D. KASAWDISH
 IN CHARGE
G. CAMPBELL
 DATE
01/29/2021

RECORD SET
PEPD
SUBMITTAL

NOT FOR
CONSTRUCTION



CALIFORNIA HIGH-SPEED RAIL PROJECT
BAKERSFIELD TO PALMDALE
 ALTERNATIVE 5
 ROADWAY STRUCTURES
 AVENUE H OVERHEAD
 PLAN AND ELEVATION

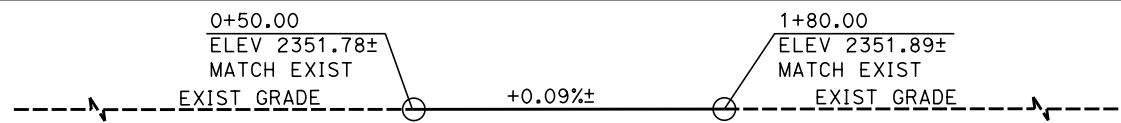
CONTRACT NO.
HSR13-44
 DRAWING NO.
ST-K1039
 SCALE
AS SHOWN
 SHEET NO.
219

Projects\701206.00_CADD\Sheet Files\ST\BP-ST-K1040A

5:15:58 AM

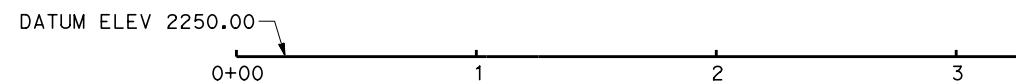
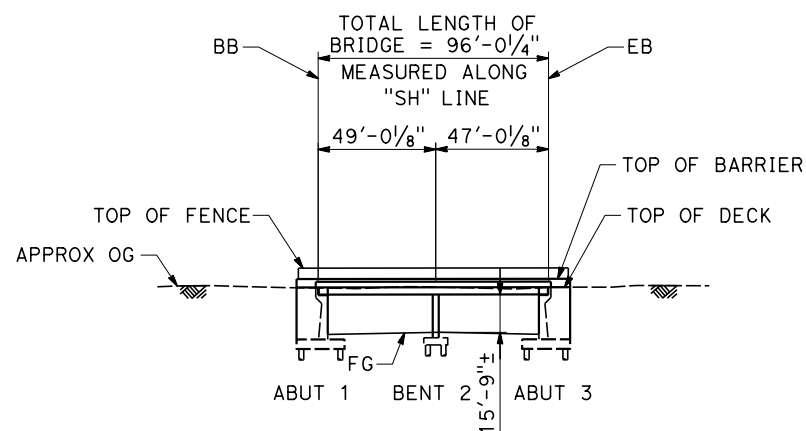
1/20/2021

ics_user_17609



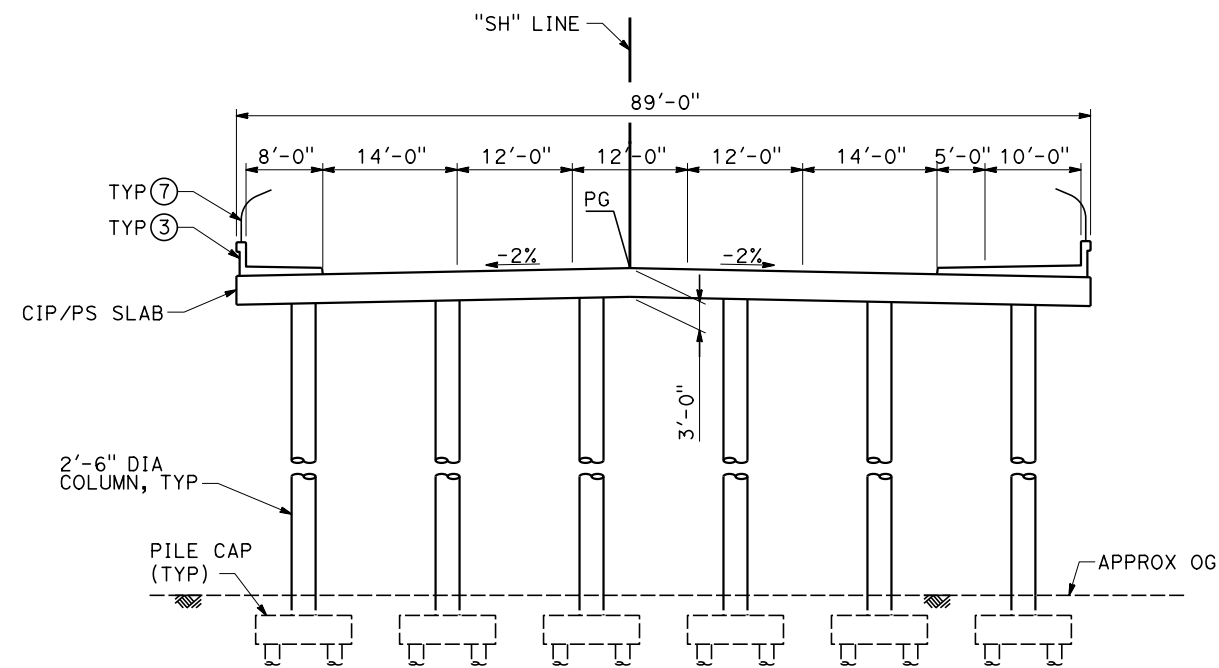
PROFILE GRADE

NO SCALE



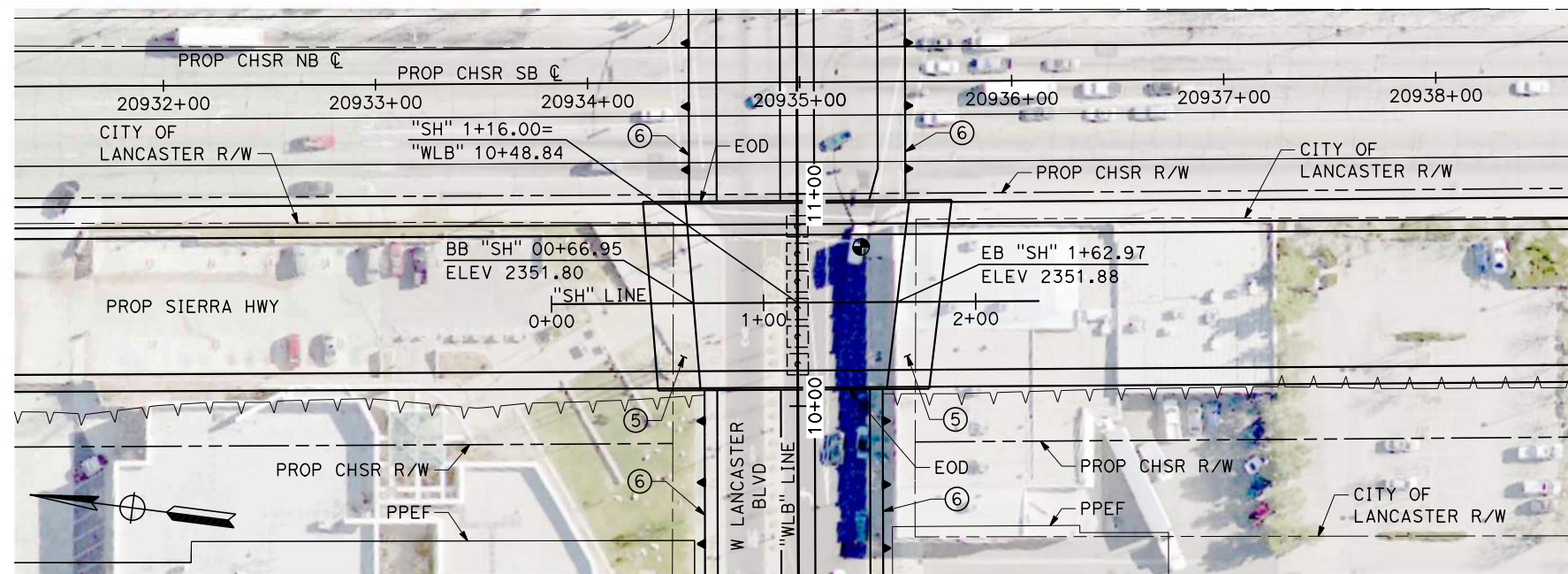
ELEVATION

SCALE 1" = 40'



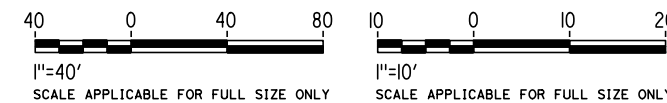
TYPICAL SECTION

SCALE 1" = 10'



PLAN

SCALE 1" = 40'



REV	DATE	BY	CHK	APP	DESCRIPTION

DESIGNED BY
R. BARTON
DRAWN BY
B. MOZAFFARIAN
CHECKED BY
D. KASAWDISH
IN CHARGE
G. CAMPBELL
DATE
01/29/2021

**RECORD SET
PEPD
SUBMITTAL**

**NOT FOR
CONSTRUCTION**

TYLIN INTERNATIONAL



**CALIFORNIA HIGH-SPEED RAIL PROJECT
BAKERSFIELD TO PALMDALE**
ALTERNATIVE 5
ROADWAY STRUCTURES
LANCASTER BLVD. OVERCROSSING - 3
PLAN AND ELEVATION

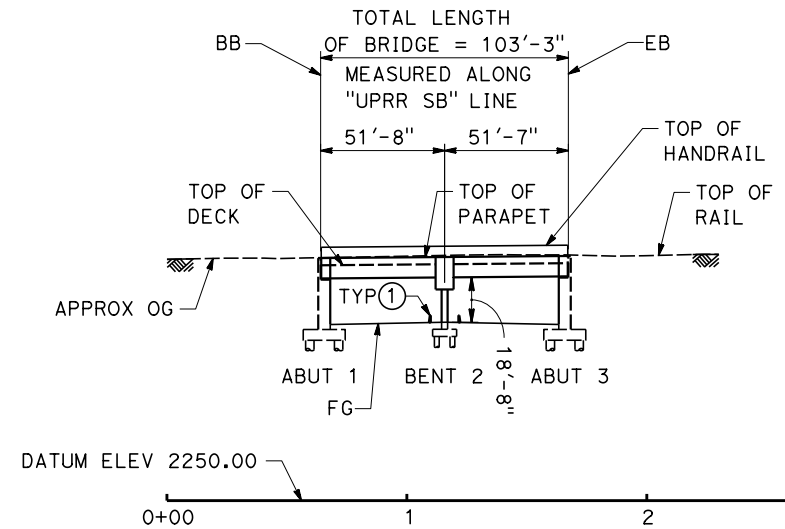
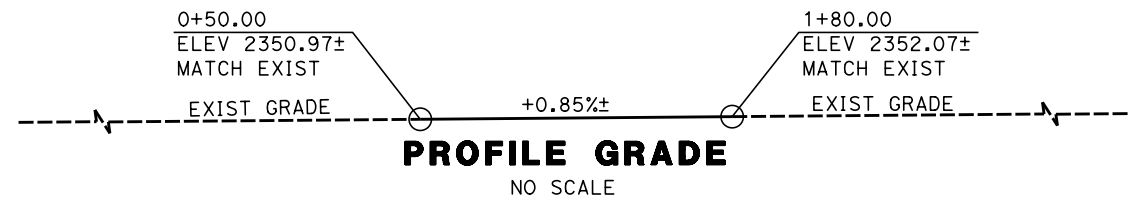
CONTRACT NO.
HSR13-44
DRAWING NO.
ST-K1040A
SCALE
AS SHOWN
SHEET NO.
220

Projects\701206_00_CHSRBP\00_CADD\Sheet_Files\ST\BP-ST-K1040B

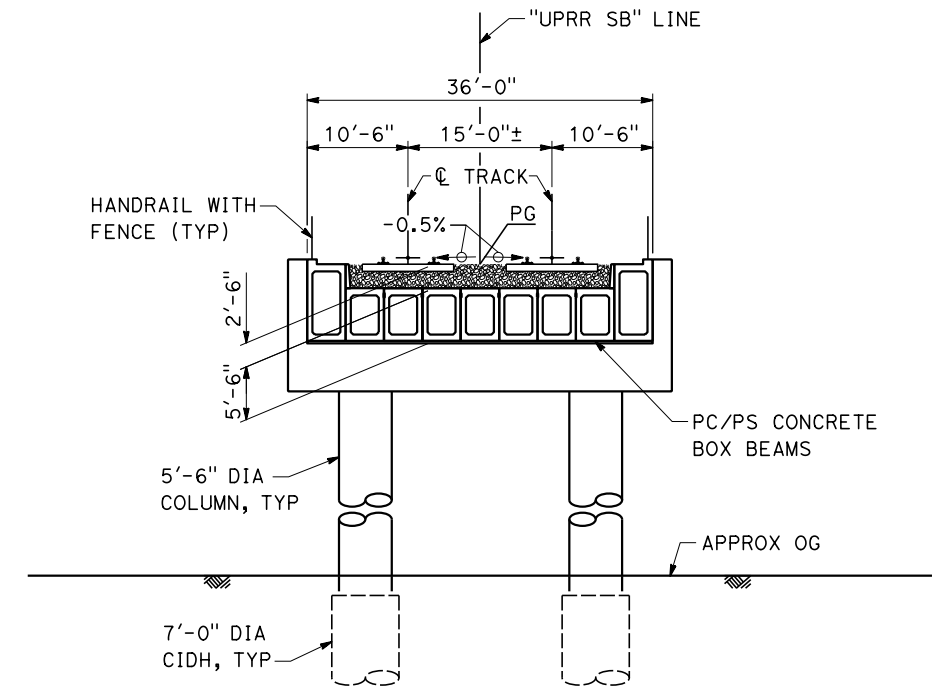
5:11:16 AM

1/20/2021

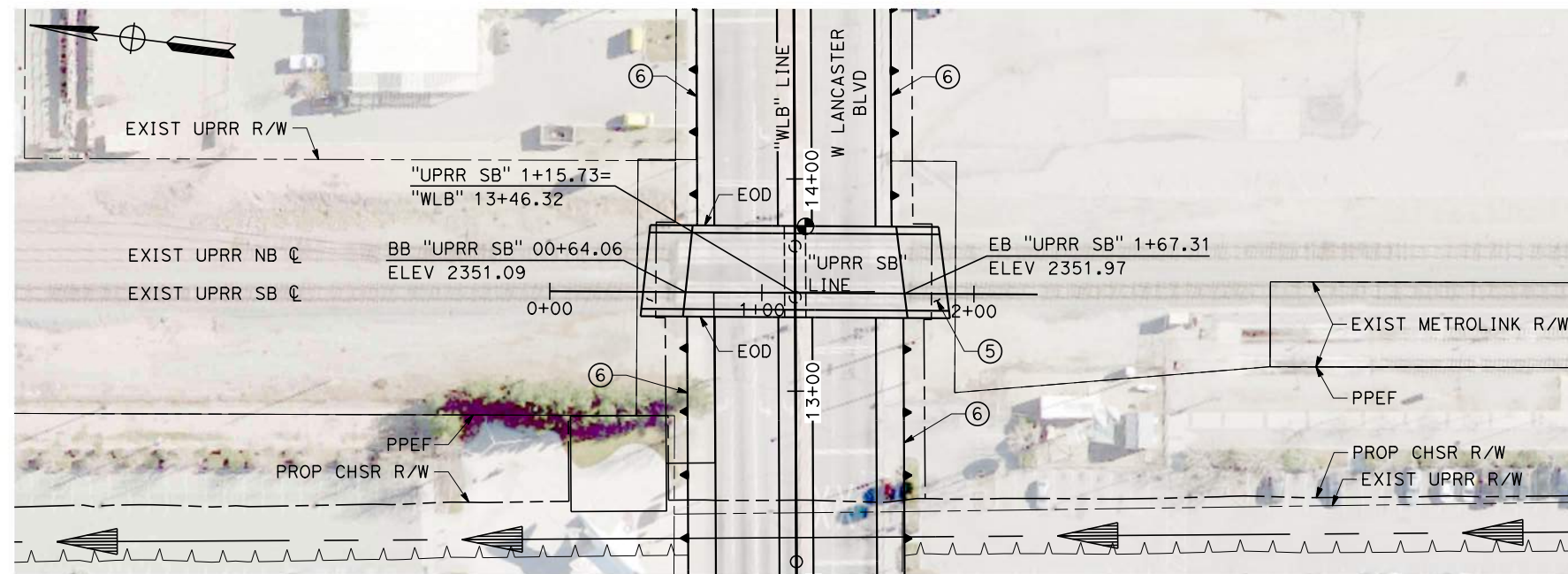
ics_user_17609



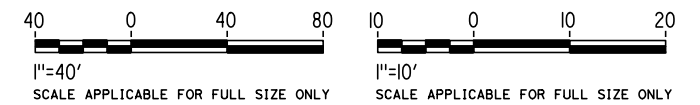
ELEVATION
SCALE 1" = 40'



TYPICAL SECTION
SCALE 1" = 10'



PLAN
SCALE 1" = 40'



REV	DATE	BY	CHK	APP	DESCRIPTION

DESIGNED BY
R. BARTON
DRAWN BY
B. MOZAFFARIAN
CHECKED BY
D. KASAWDISH
IN CHARGE
G. CAMPBELL
DATE
01/29/2021

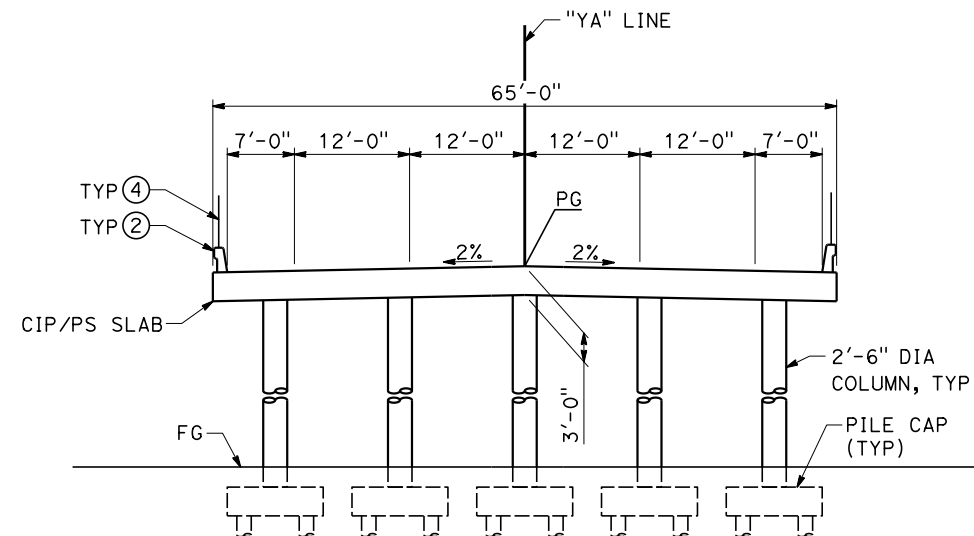
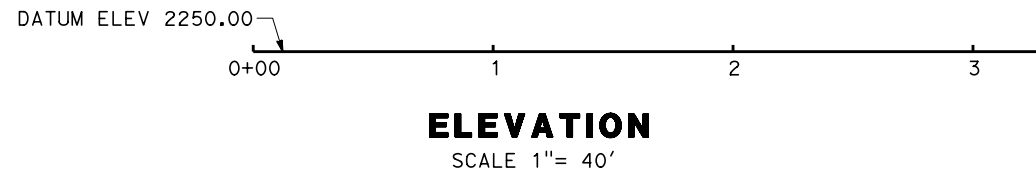
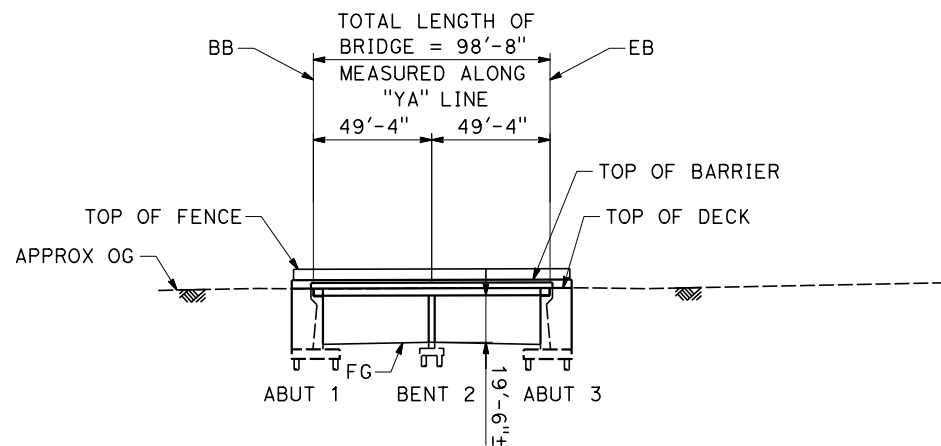
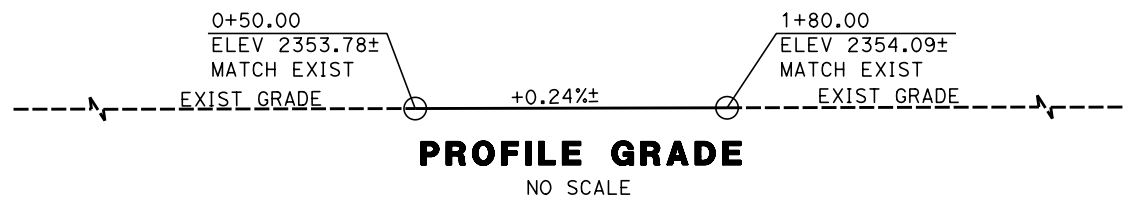
RECORD SET
PEPD
SUBMITTAL

NOT FOR
CONSTRUCTION

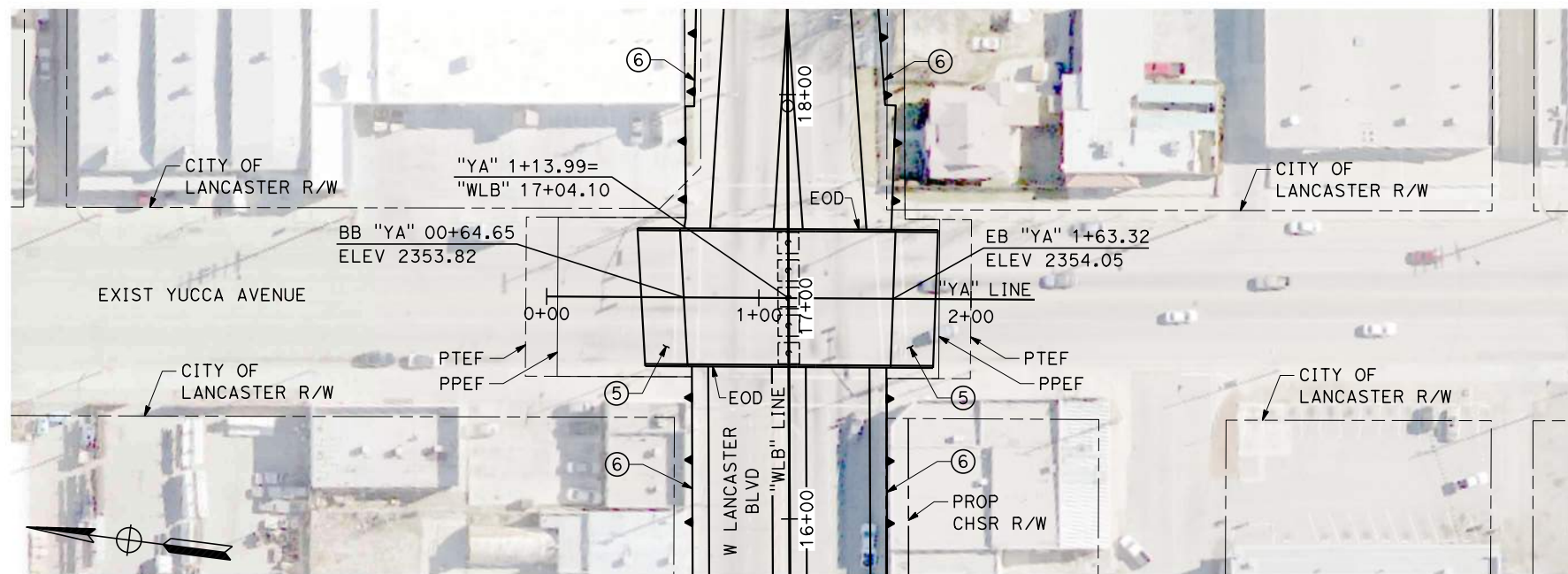


CALIFORNIA HIGH-SPEED RAIL PROJECT
BAKERSFIELD TO PALMDALE
ALTERNATIVE 5
ROADWAY STRUCTURES
LANCASTER BLVD. OVERHEAD
PLAN AND ELEVATION

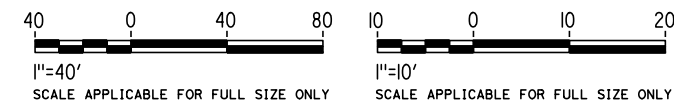
CONTRACT NO.
HSR13-44
DRAWING NO.
ST-K1040B
SCALE
AS SHOWN
SHEET NO.
221



TYPICAL SECTION
SCALE 1" = 10'



PLAN
SCALE 1" = 40'



Projects\701206.00_CHSRBP\00_CADD\Sheet_Files\ST\BP-ST-K1040C

5:33:44 AM

1/20/2021

ics_user_17609

REV	DATE	BY	CHK	APP	DESCRIPTION

DESIGNED BY
R. BARTON
DRAWN BY
B. MOZAFFARIAN
CHECKED BY
D. KASAWDISH
IN CHARGE
G. CAMPBELL
DATE
01/29/2021

RECORD SET
PEPD
SUBMITTAL

NOT FOR
CONSTRUCTION



CALIFORNIA HIGH-SPEED RAIL PROJECT
BAKERSFIELD TO PALMDALE
ALTERNATIVE 5
ROADWAY STRUCTURES
LANCASTER BLVD. OVERCROSSING - 4
PLAN AND ELEVATION

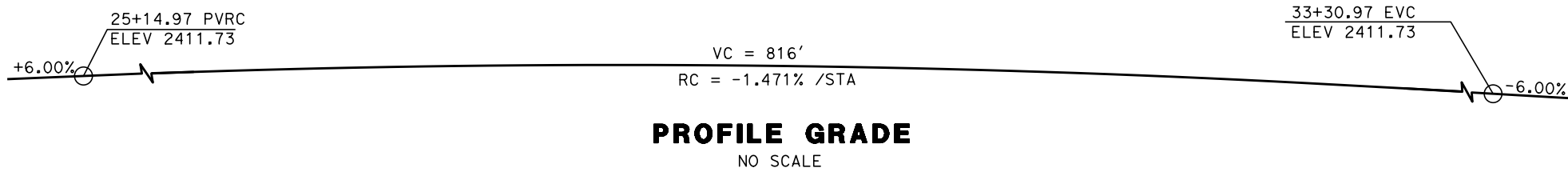
CONTRACT NO.
HSR13-44
DRAWING NO.
ST-K1040C
SCALE
AS SHOWN
SHEET NO.
222

Projects\701206_00_CHSRBP\00_CADD\Sheet_Files\ST\BP-ST-K1043

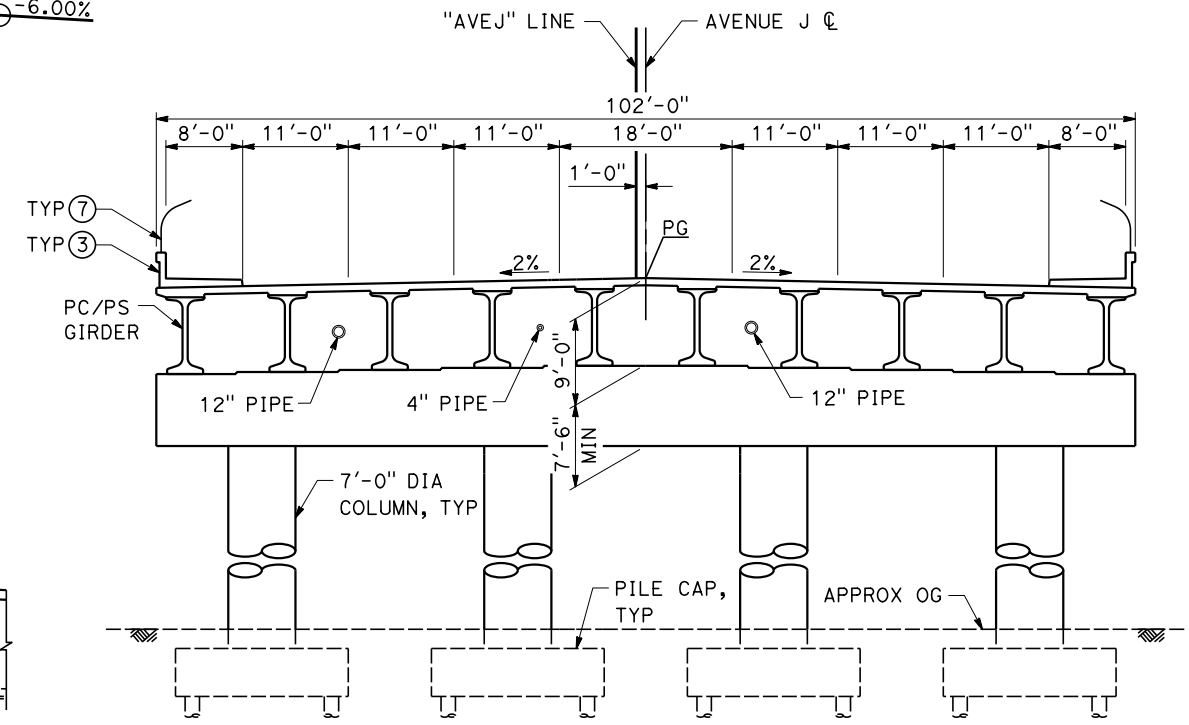
5:16:41 AM

1/20/2021

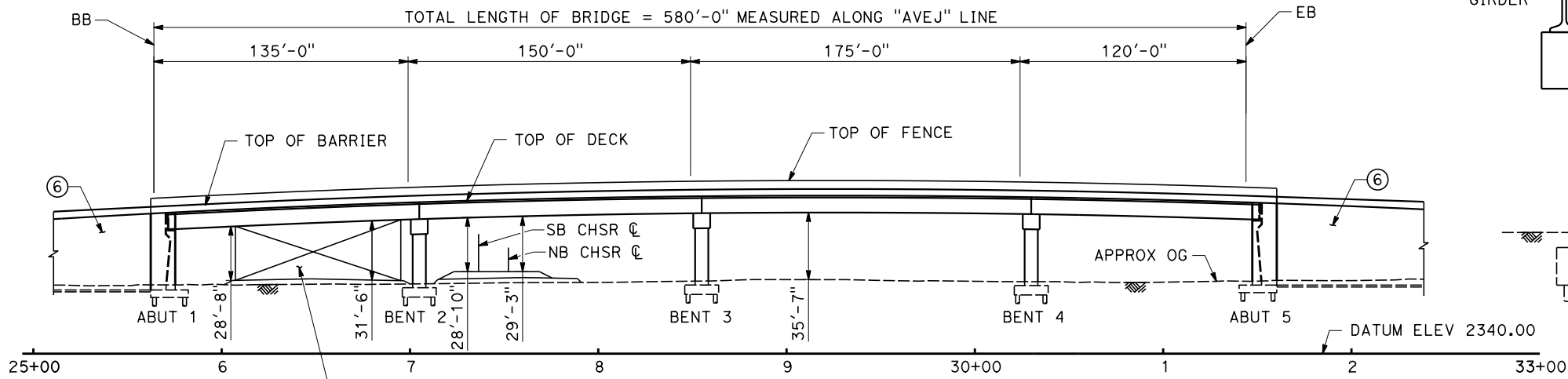
ics_user_17609



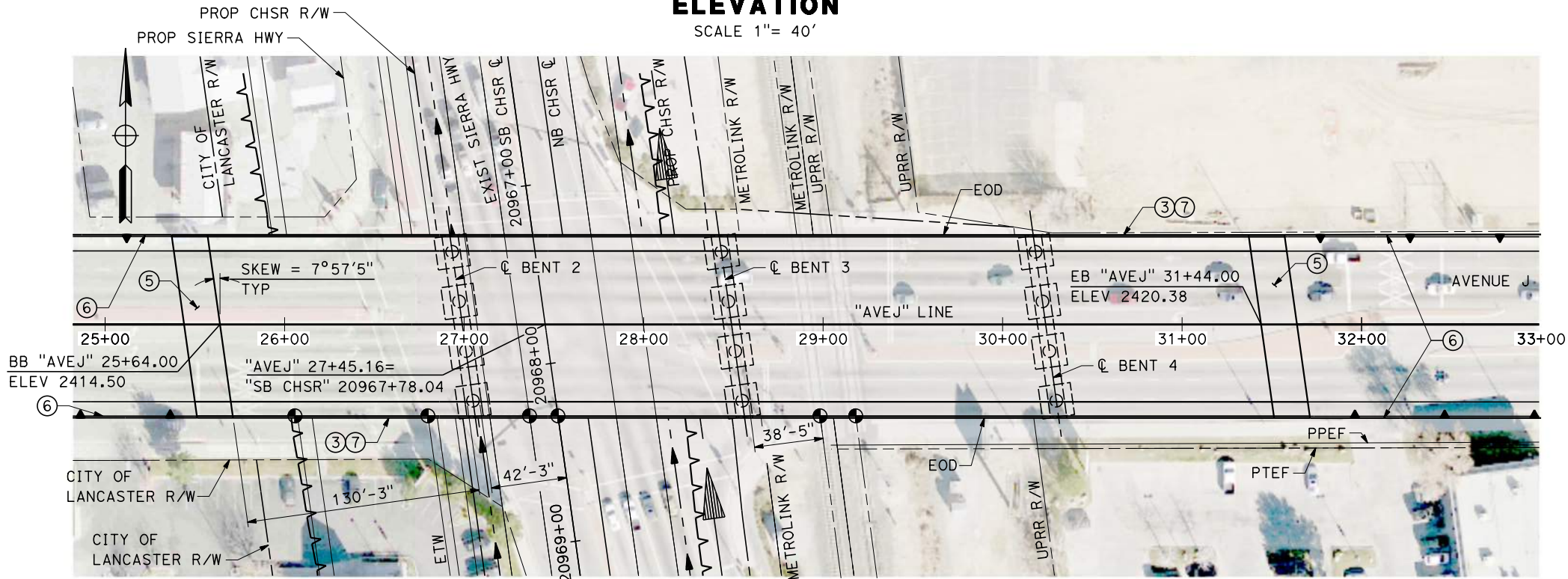
PROFILE GRADE
NO SCALE



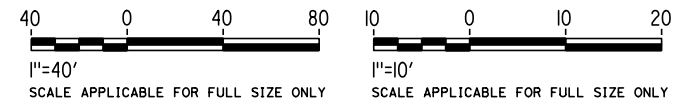
TYPICAL SECTION
SCALE 1" = 10'



ELEVATION
SCALE 1" = 40'



PLAN
SCALE 1" = 40'

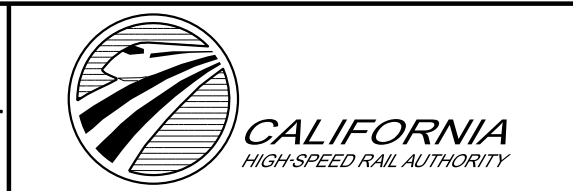


REV	DATE	BY	CHK	APP	DESCRIPTION

DESIGNED BY
R. BARTON
DRAWN BY
B. MOZAFFARIAN
CHECKED BY
D. KASAWDISH
IN CHARGE
G. CAMPBELL
DATE
01/29/2021

RECORD SET
PEPD
SUBMITTAL

NOT FOR
CONSTRUCTION



CALIFORNIA HIGH-SPEED RAIL PROJECT
BAKERSFIELD TO PALMDALE
ALTERNATIVE 1,2,3
ROADWAY STRUCTURES
AVENUE J OVERHEAD
PLAN AND ELEVATION

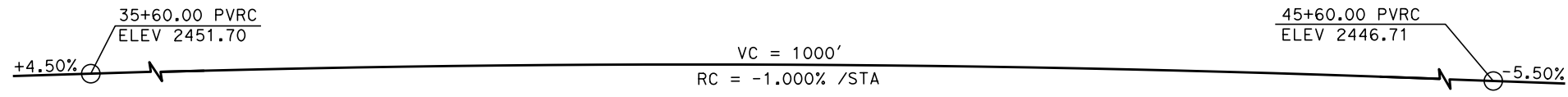
CONTRACT NO.
HSR13-44
DRAWING NO.
ST-K1043
SCALE
AS SHOWN
SHEET NO.
223

Projects\701206_00_CHSRBP\00_CADD\Sheet_Files\ST\BP-ST-K1044

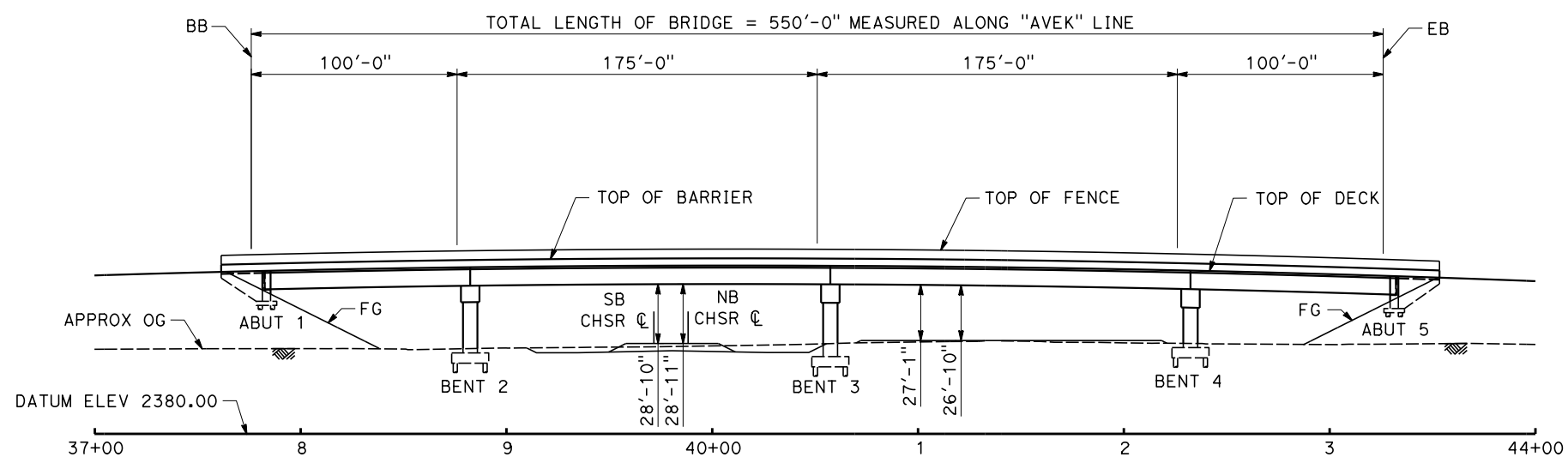
5:26:32 AM

1/20/2021

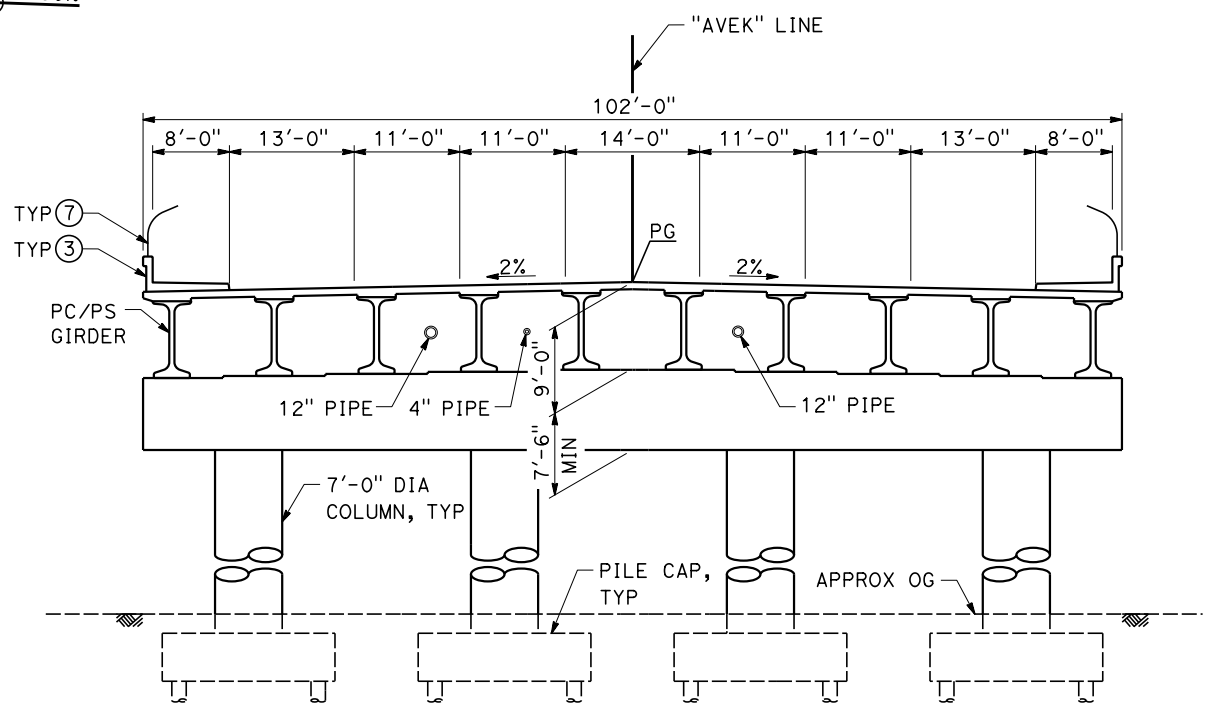
jcs_user_17609



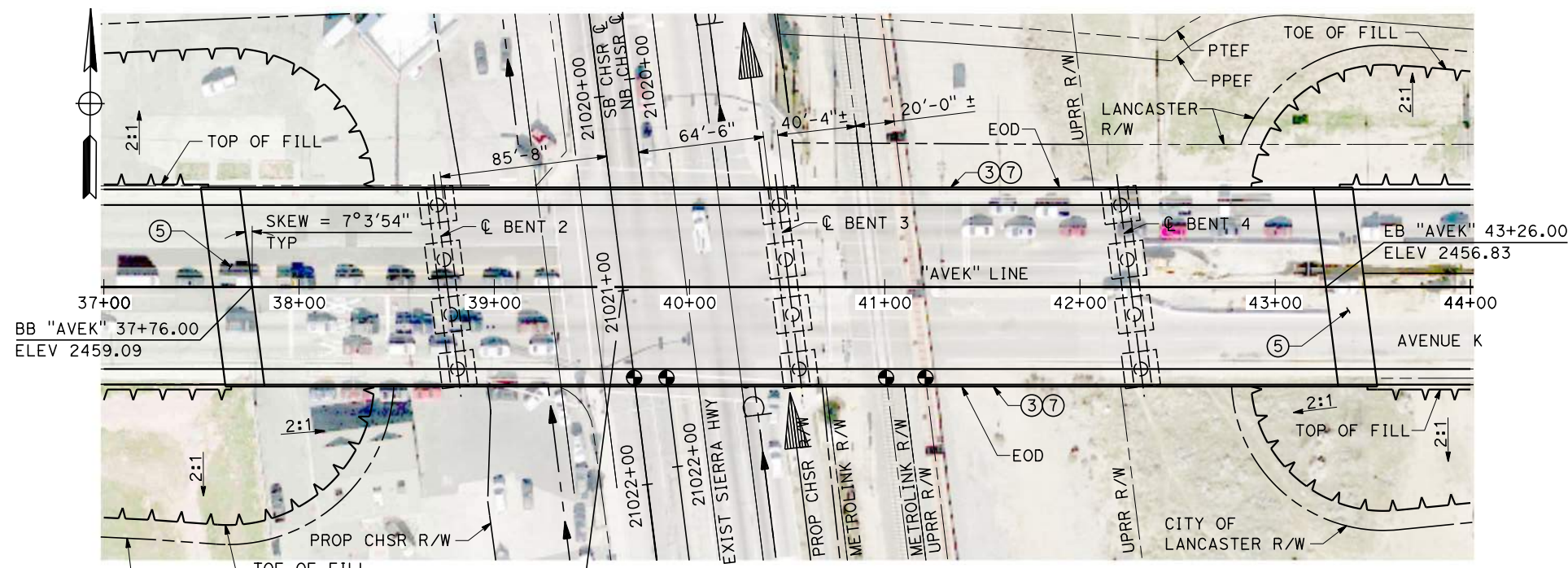
PROFILE GRADE
NO SCALE



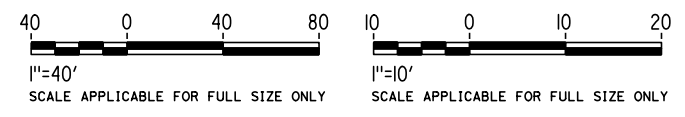
ELEVATION
SCALE 1" = 40'



TYPICAL SECTION
SCALE 1" = 10'



PLAN
SCALE 1" = 40'



REV	DATE	BY	CHK	APP	DESCRIPTION

DESIGNED BY
R. BARTON
DRAWN BY
B. MOZAFFARIAN
CHECKED BY
D. KASAWDISH
IN CHARGE
G. CAMPBELL
DATE
01/29/2021

RECORD SET
PEPD
SUBMITTAL

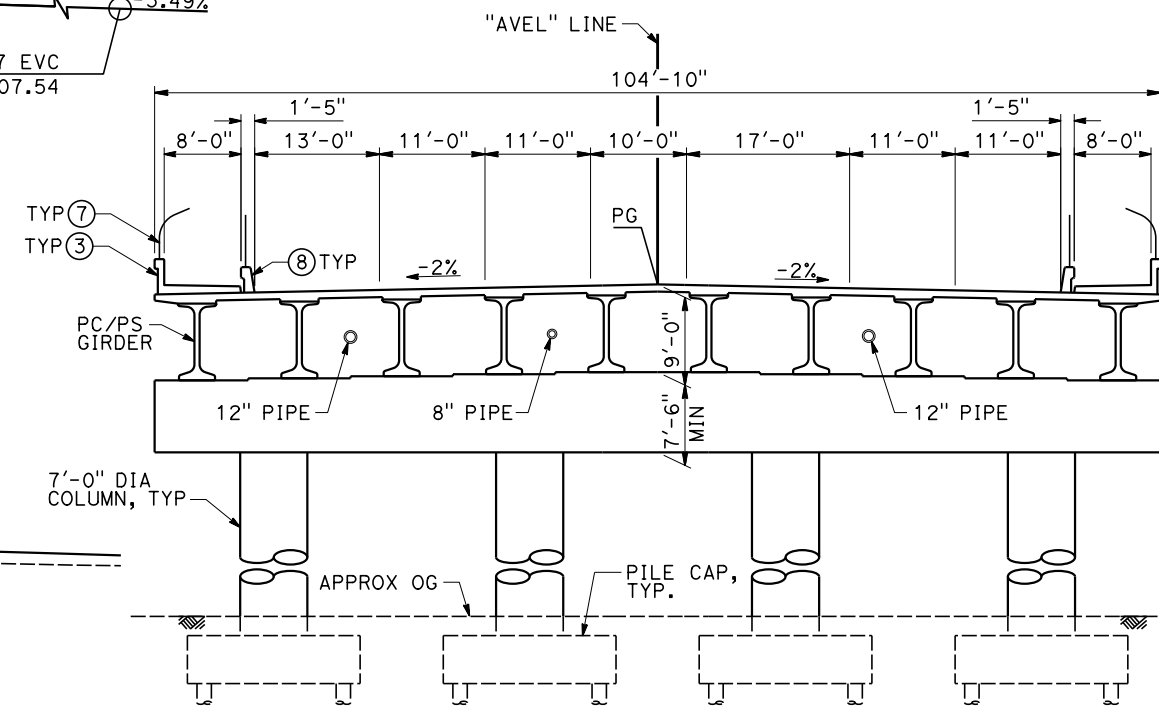
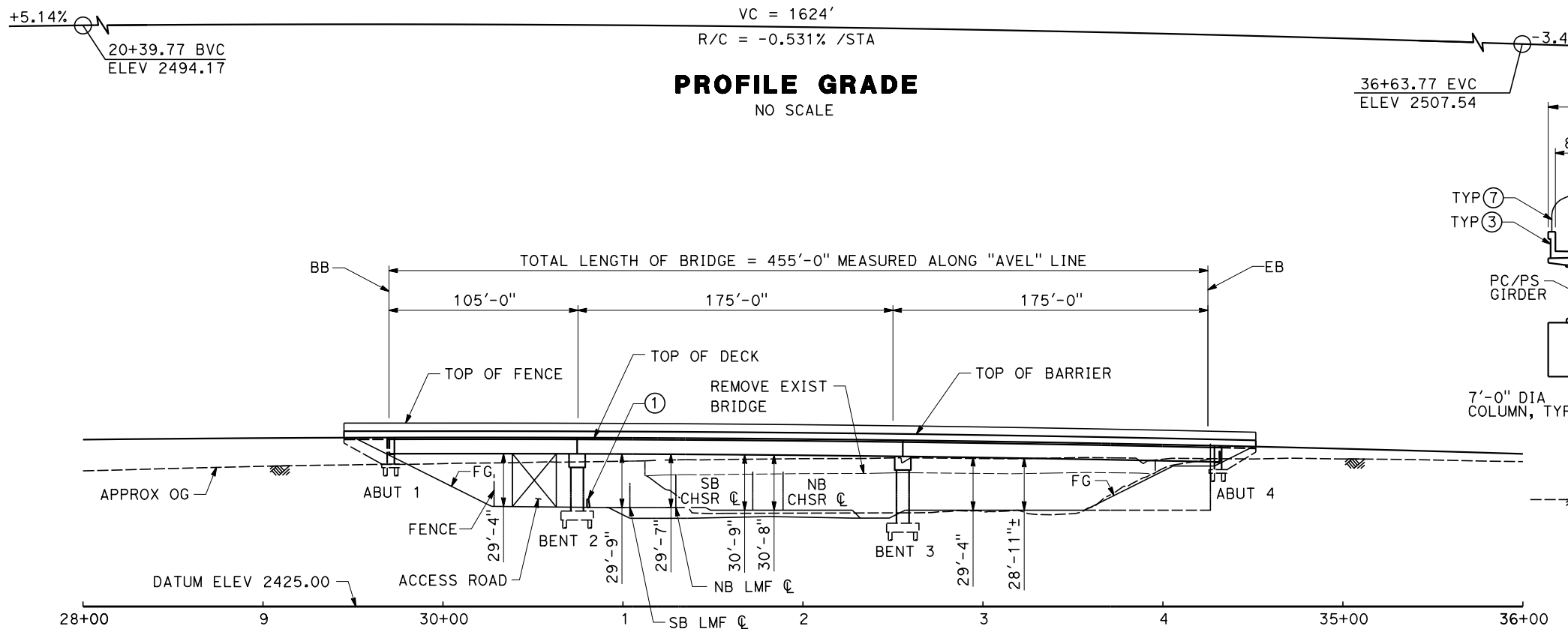
NOT FOR
CONSTRUCTION



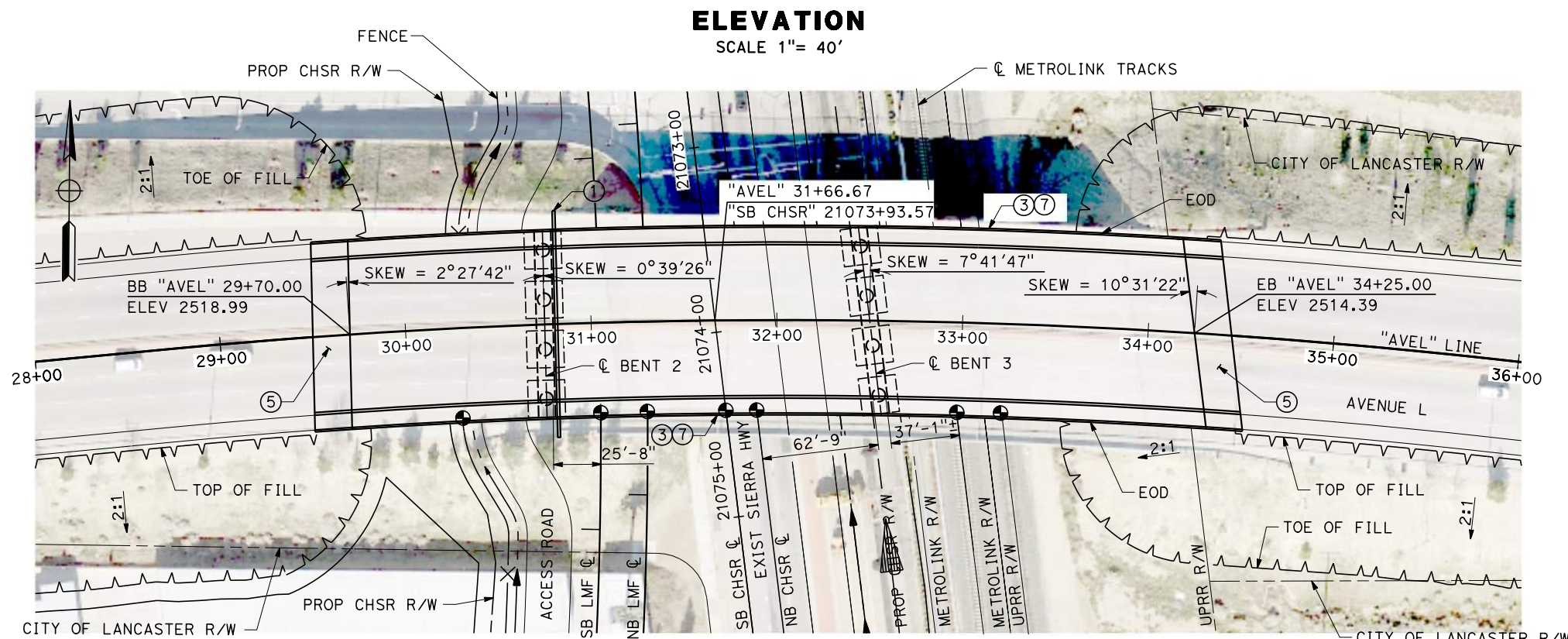
CALIFORNIA HIGH-SPEED RAIL PROJECT
BAKERSFIELD TO PALMDALE
ALTERNATIVE 5
ROADWAY STRUCTURES
AVENUE K OVERHEAD
PLAN AND ELEVATION

CONTRACT NO.
HSR13-44
DRAWING NO.
ST-K1044
SCALE
AS SHOWN
SHEET NO.
224

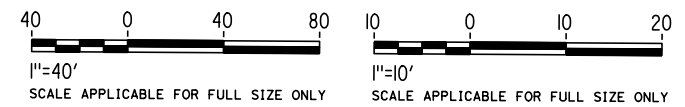
Projects\701206_00_CHSRBP\00_CADD\Sheet_Files\ST\BP-ST-K1045
1/20/2021 5:35:05 AM
ics_user_17609



TYPICAL SECTION
SCALE 1"= 10'



PLAN
SCALE 1"= 40'



REV	DATE	BY	CHK	APP	DESCRIPTION

DESIGNED BY
R. BARTON
DRAWN BY
B. MOZAFFARIAN
CHECKED BY
D. KASAWDISH
IN CHARGE
G. CAMPBELL
DATE
01/29/2021

RECORD SET
PEPD
SUBMITTAL

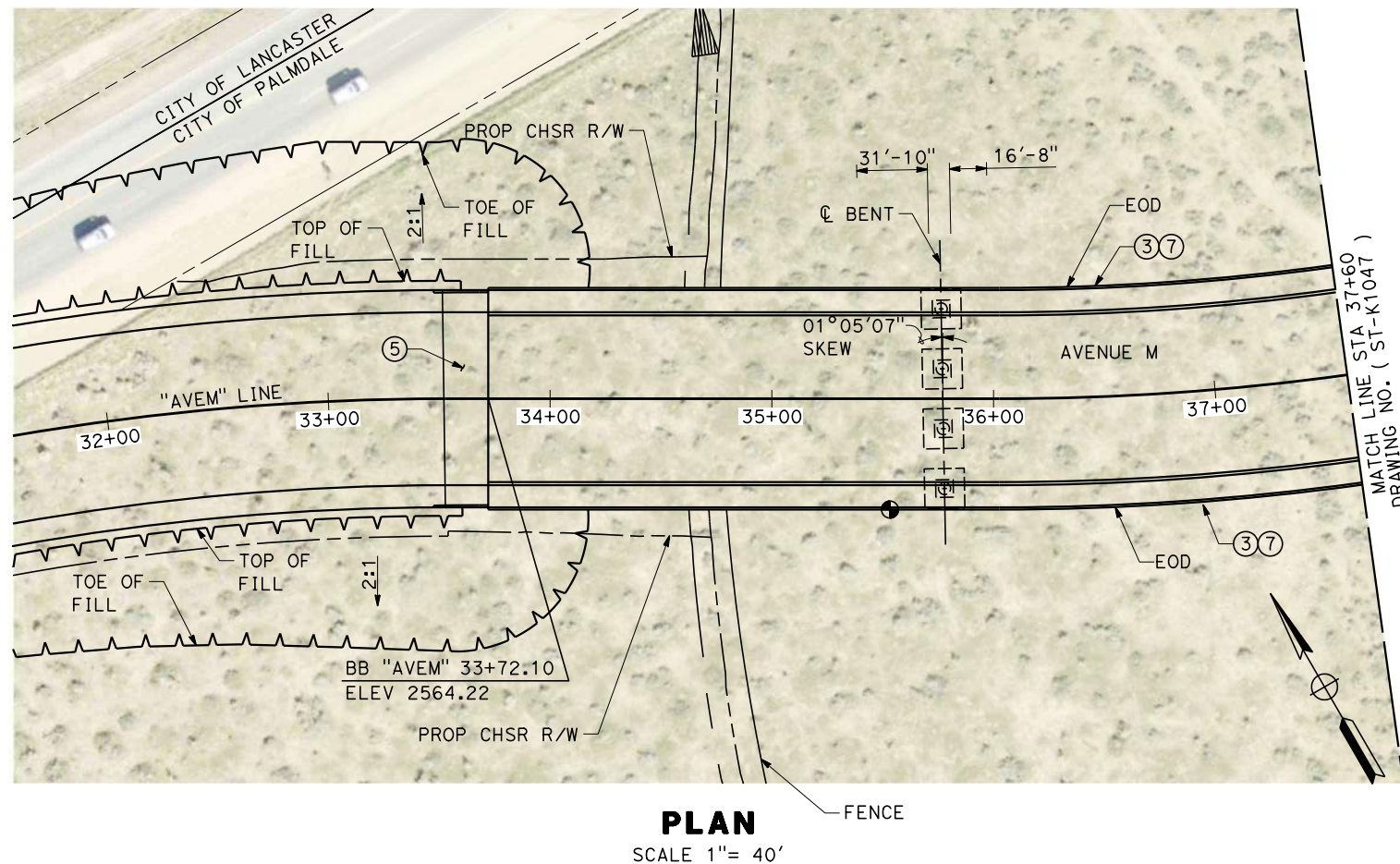
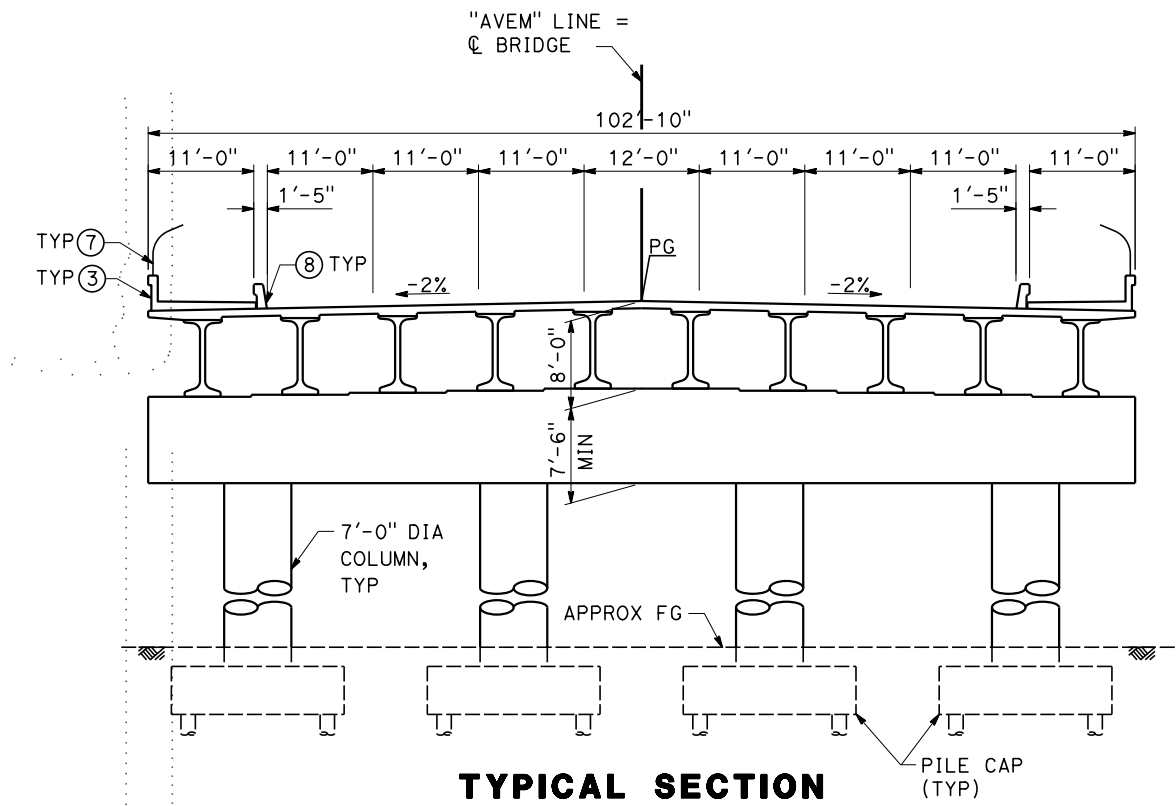
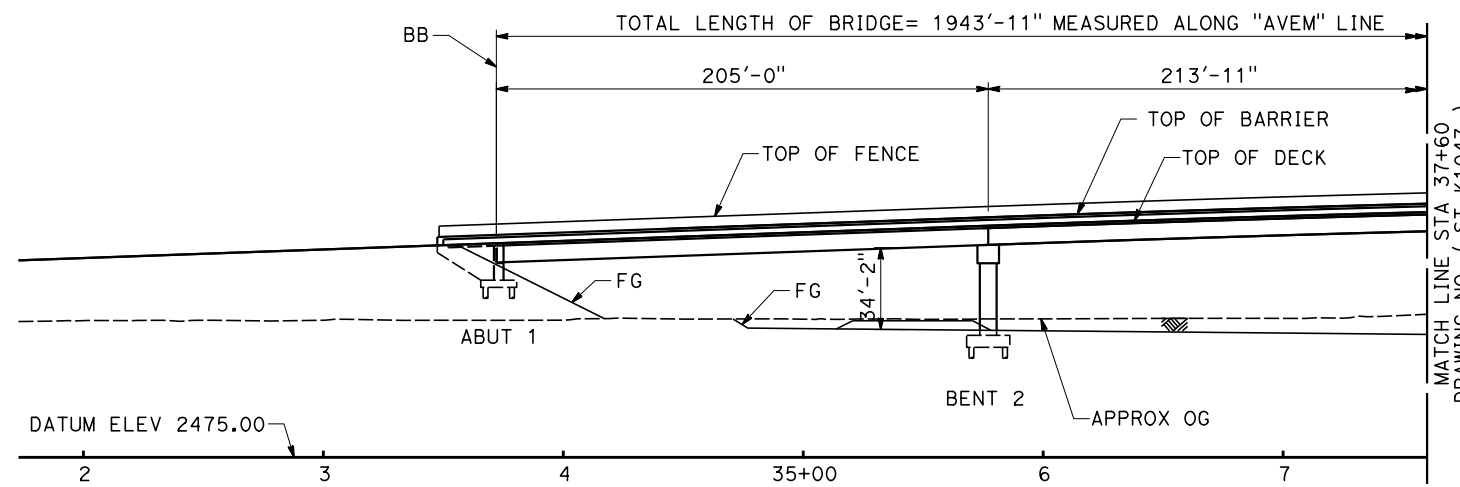
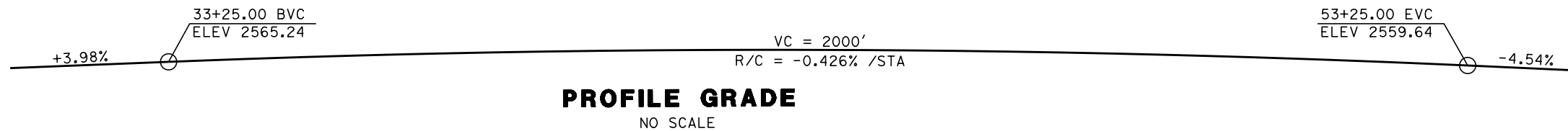
NOT FOR
CONSTRUCTION



CALIFORNIA HIGH-SPEED RAIL PROJECT
BAKERSFIELD TO PALMDALE
ALTERNATIVE 5
ROADWAY STRUCTURES
AVENUE L OVERHEAD
PLAN AND ELEVATION

CONTRACT NO.
HSR13-44
DRAWING NO.
ST-K1045
SCALE
AS SHOWN
SHEET NO.
225

Projects\701206.00_CHSRBP\00_CADD\Sheet_Files\ST\BP-ST-K1046
 1/20/2021 5:10:57 AM
 ics_user_17609



REV	DATE	BY	CHK	APP	DESCRIPTION

DESIGNED BY
R. BARTON
 DRAWN BY
B. MOZAFFARIAN
 CHECKED BY
D. KASAWDISH
 IN CHARGE
G. CAMPBELL
 DATE
01/29/2021

RECORD SET
PEPD
SUBMITTAL

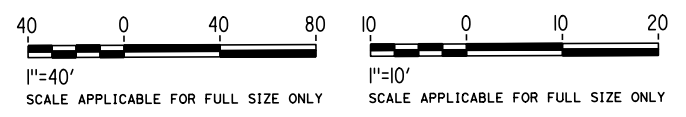
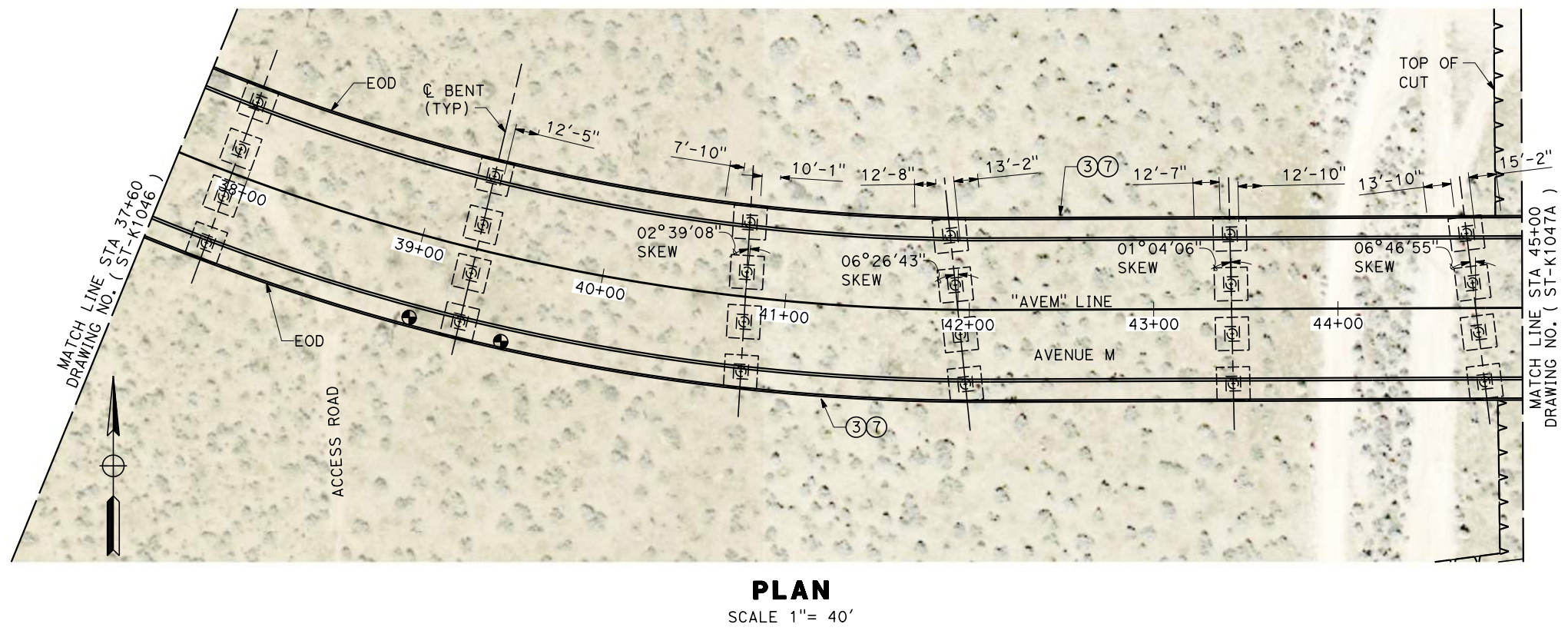
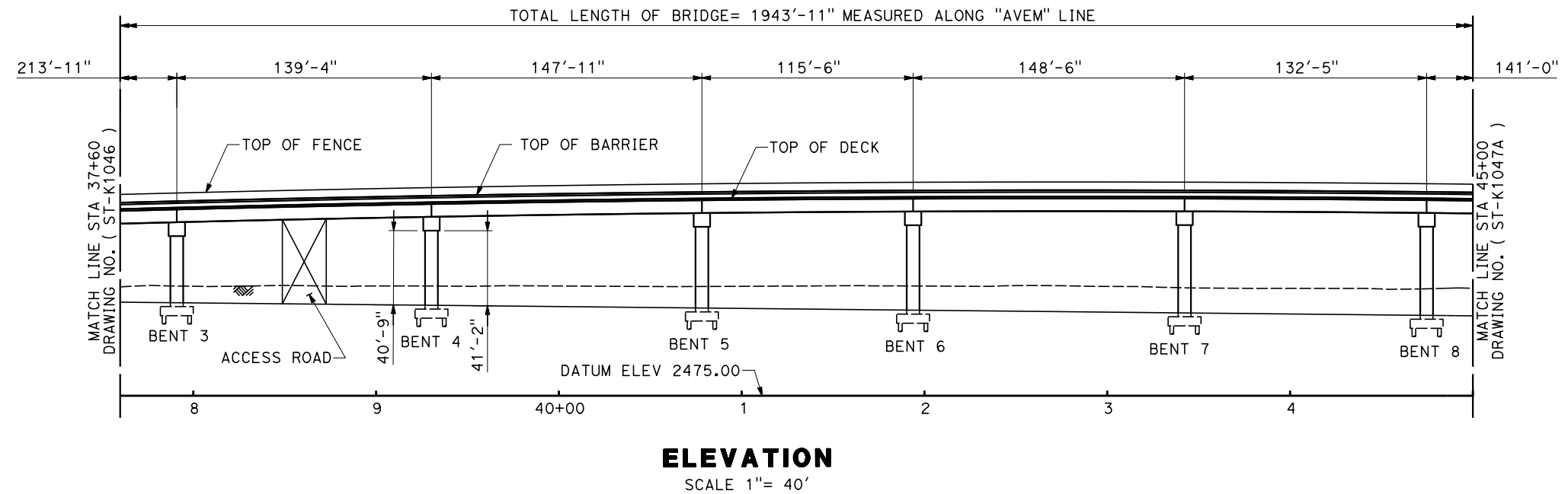
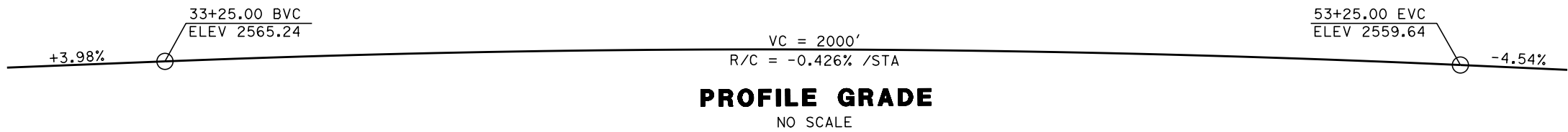
NOT FOR
CONSTRUCTION



CALIFORNIA HIGH-SPEED RAIL PROJECT
BAKERSFIELD TO PALMDALE
 ALTERNATIVE 5
 ROADWAY STRUCTURES
 AVENUE M OVERHEAD
 PLAN AND ELEVATION

CONTRACT NO.
HSR13-44
 DRAWING NO.
ST-K1046
 SCALE
AS SHOWN
 SHEET NO.
226

Projects\701206_00_CHSRBP\00_CADD\Sheet_Files\ST\BP-ST-K1047 1/20/2021 5:11:34 AM jcs_user_17609



REV	DATE	BY	CHK	APP	DESCRIPTION

DESIGNED BY
R. BARTON
DRAWN BY
B. MOZAFFARIAN
CHECKED BY
D. KASAWDISH
IN CHARGE
G. CAMPBELL
DATE
01/29/2021

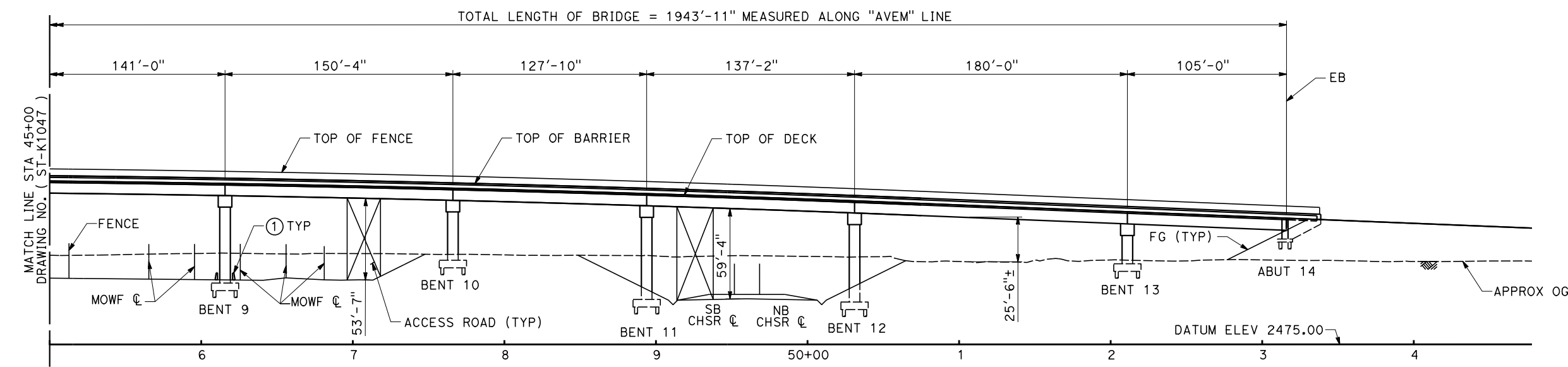
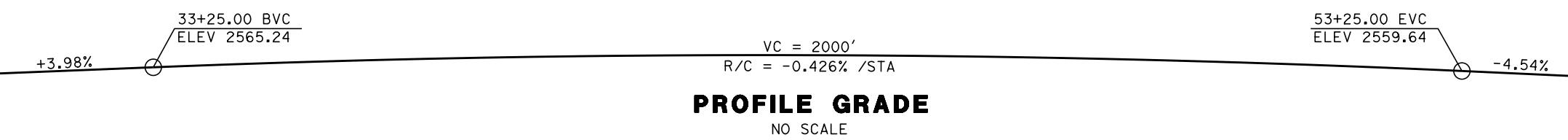
RECORD SET
PEPD
SUBMITTAL

NOT FOR
CONSTRUCTION

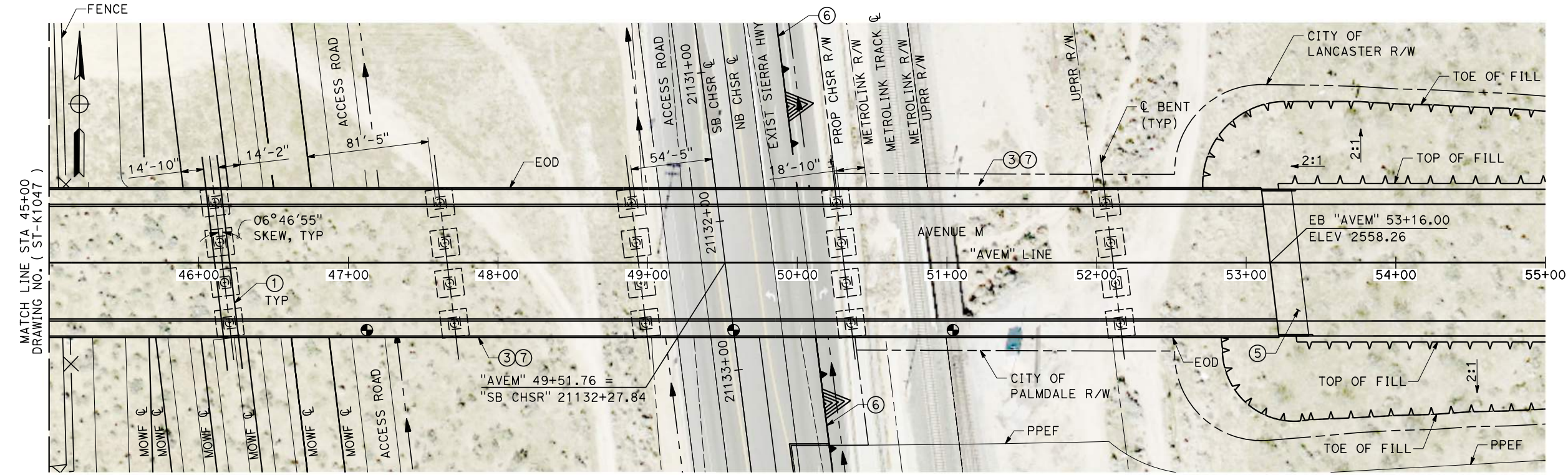


CALIFORNIA HIGH-SPEED RAIL PROJECT
BAKERSFIELD TO PALMDALE
ALTERNATIVE 5
ROADWAY STRUCTURES
AVENUE M OVERHEAD
PLAN AND ELEVATION

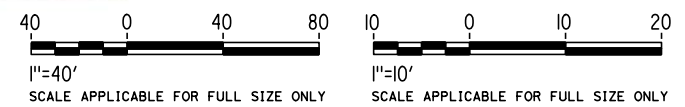
CONTRACT NO.
HSR13-44
DRAWING NO.
ST-K1047
SCALE
AS SHOWN
SHEET NO.
227



ELEVATION
SCALE 1" = 40'



PLAN
SCALE 1" = 40'



Projects\701206_00_CHSRBP\00_CADD\Sheet Files\ST\BP-ST-K1047A

5:16:18 AM

1/20/2021

ics_user_17609

REV	DATE	BY	CHK	APP	DESCRIPTION

DESIGNED BY
R. BARTON

DRAWN BY
B. MOZAFFARIAN

CHECKED BY
D. KASAWDISH

IN CHARGE
G. CAMPBELL

DATE
01/29/2021

RECORD SET
PEPD
SUBMITTAL

NOT FOR
CONSTRUCTION



CALIFORNIA HIGH-SPEED RAIL PROJECT
BAKERSFIELD TO PALMDALE

ALTERNATIVE 5
ROADWAY STRUCTURES
AVENUE M OVERHEAD
PLAN AND ELEVATION

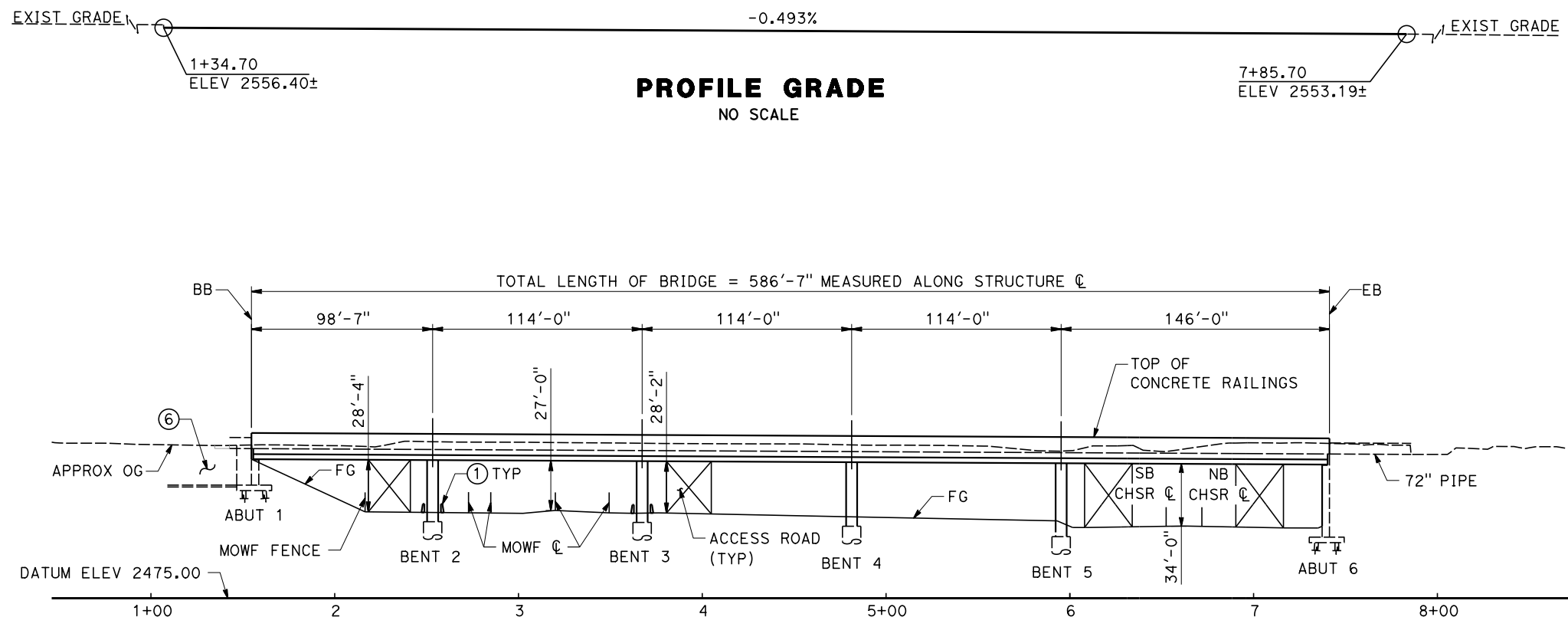
CONTRACT NO.
HSR13-44

DRAWING NO.
ST-K1047A

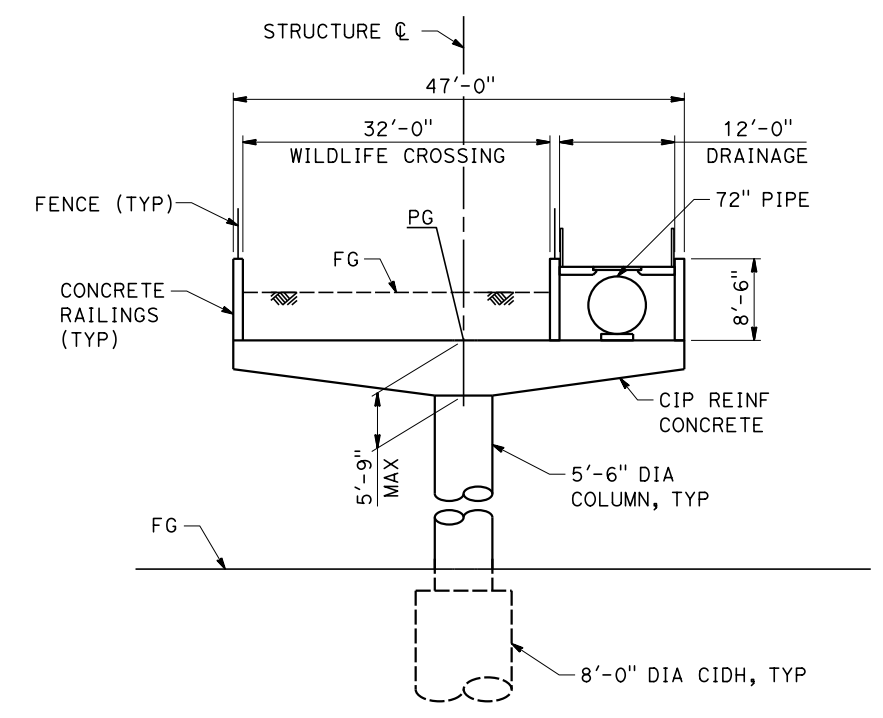
SCALE
AS SHOWN

SHEET NO.
228

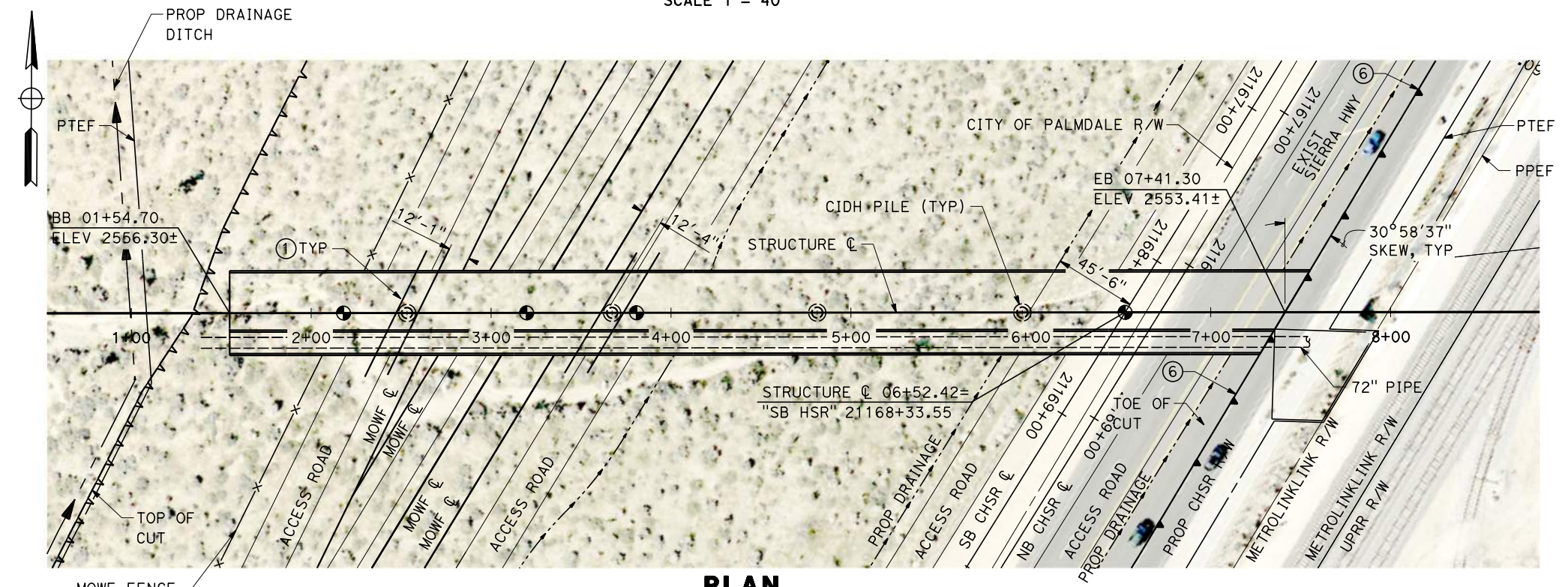
Projects\701206_00_CHSRBP\00_CADD\Sheet_Files\ST\BP-ST-K1048
 1/20/2021 5:16:57 AM
 ics_user_17609



ELEVATION
SCALE 1" = 40'



TYPICAL SECTION
SCALE 1" = 10'



PLAN
SCALE 1" = 40'



REV	DATE	BY	CHK	APP	DESCRIPTION

DESIGNED BY
R. BARTON
 DRAWN BY
B. MOZAFFARIAN
 CHECKED BY
D. KASAWDISH
 IN CHARGE
G. CAMPBELL
 DATE
01/29/2021

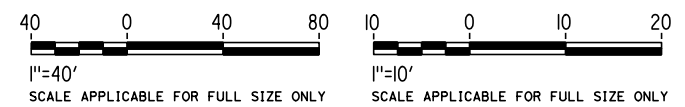
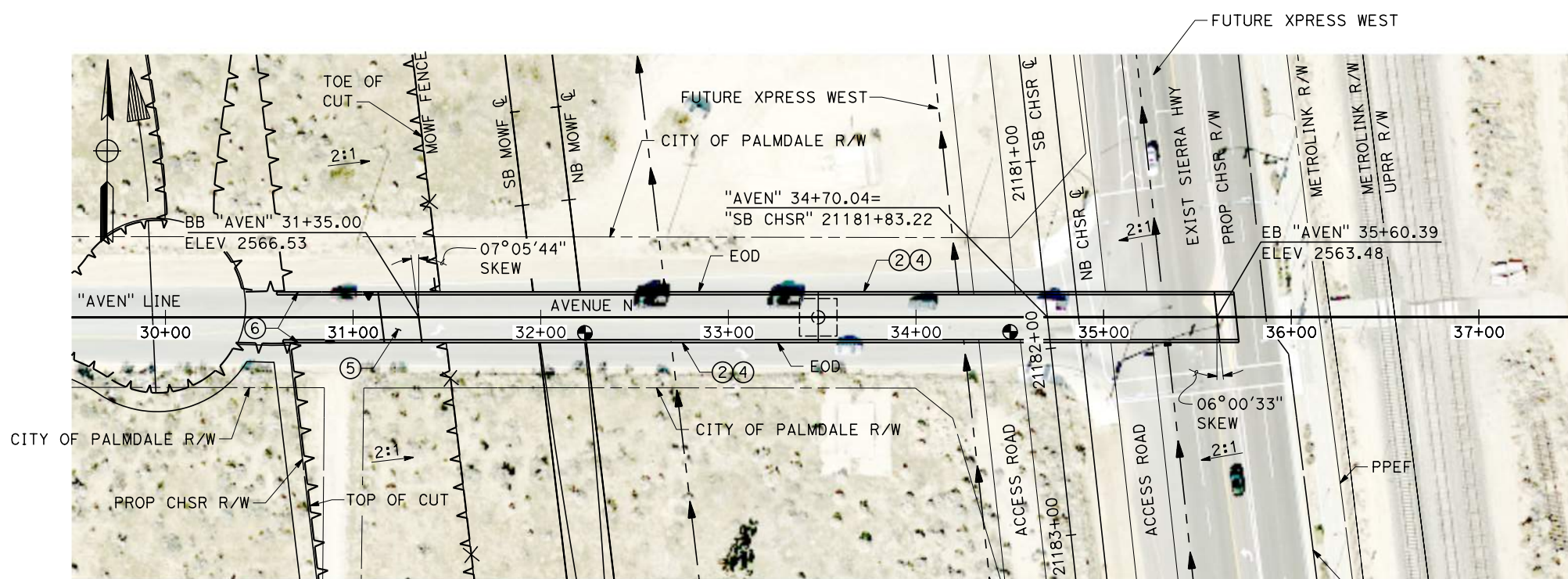
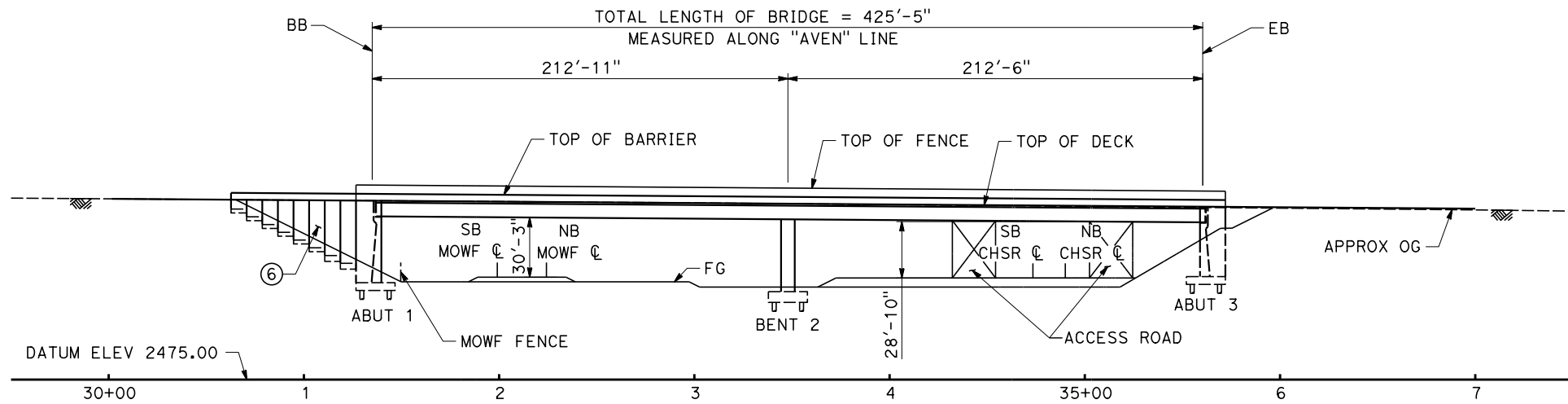
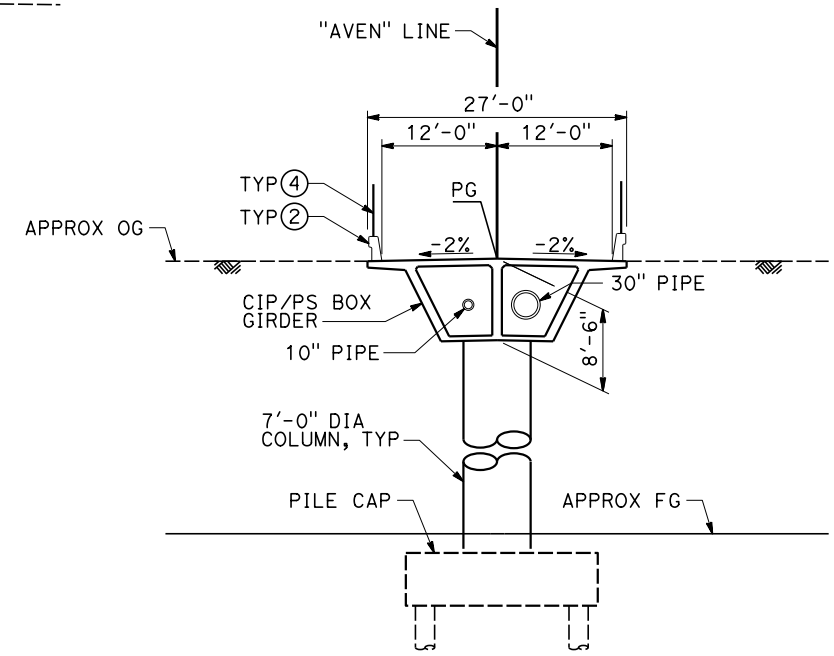
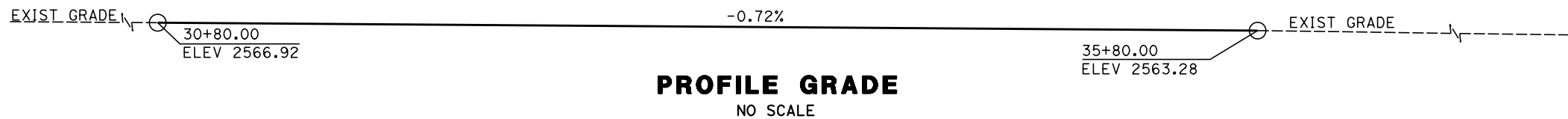
RECORD SET
PEPD
SUBMITTAL

NOT FOR
CONSTRUCTION



CALIFORNIA HIGH-SPEED RAIL PROJECT
BAKERSFIELD TO PALMDALE
 ALTERNATIVE 5
 ROADWAY STRUCTURES
 DRAINAGE AND WILDLIFE CROSSING OVERHEAD
 PLAN AND ELEVATION

CONTRACT NO.
HSR13-44
 DRAWING NO.
ST-K1048
 SCALE
AS SHOWN
 SHEET NO.
229



Projects\701206_00_CHSRBP\00_CADD\Sheet_Files\ST\BP-ST-K1049
1/20/2021 5:16:43 AM
ics_user_17609

REV	DATE	BY	CHK	APP	DESCRIPTION

DESIGNED BY
R. BARTON
DRAWN BY
B. MOZAFFARIAN
CHECKED BY
D. KASAWDISH
IN CHARGE
G. CAMPBELL
DATE
01/29/2021

RECORD SET
PEPD
SUBMITTAL

NOT FOR CONSTRUCTION



CALIFORNIA HIGH-SPEED RAIL PROJECT
BAKERSFIELD TO PALMDALE
ALTERNATIVES 5
ROADWAY STRUCTURES
AVENUE N OVERHEAD
PLAN AND ELEVATION

CONTRACT NO.
HSR13-44
DRAWING NO.
ST-K1049
SCALE
AS SHOWN
SHEET NO.
230