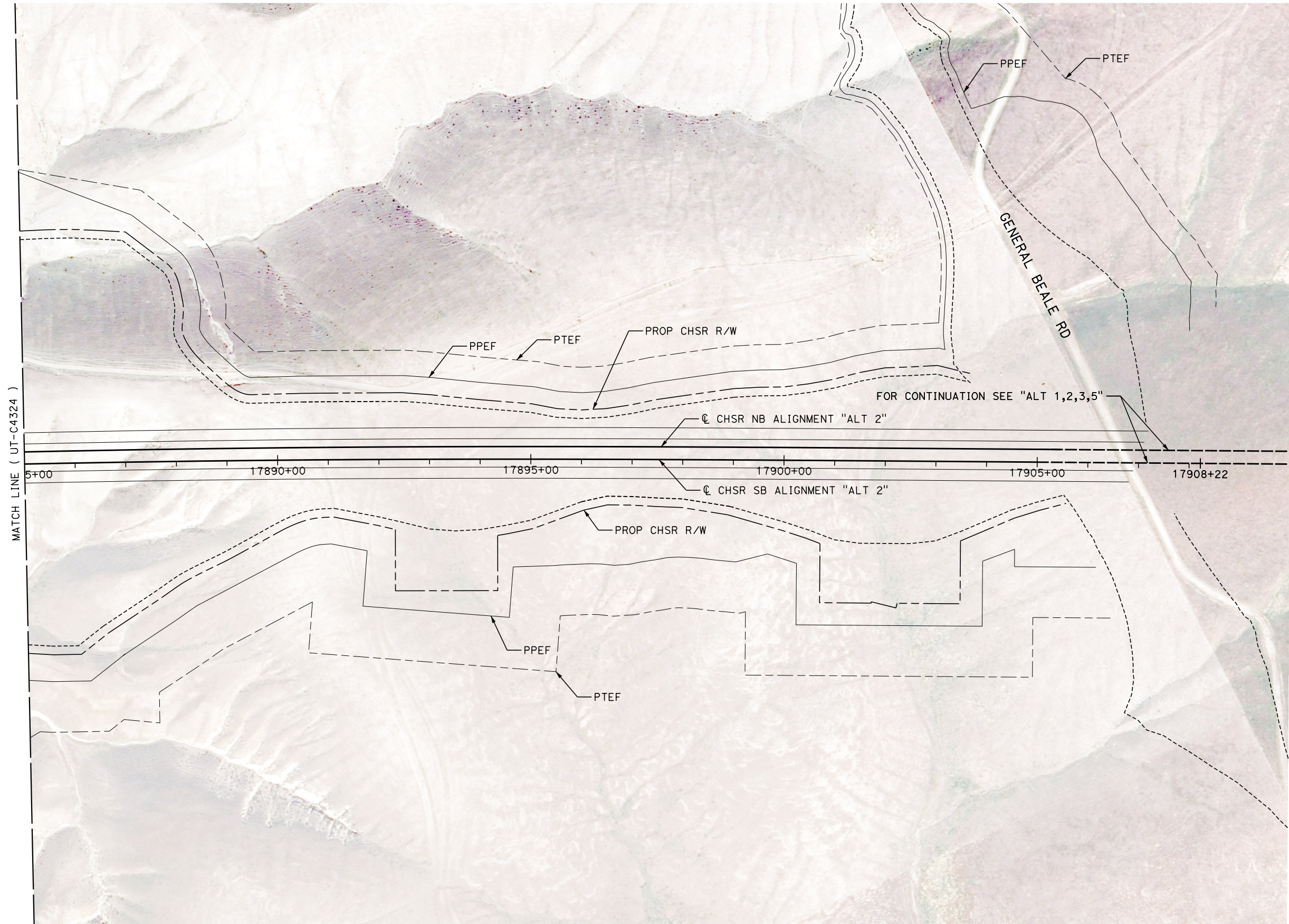


Projects\701206.00_CHSRBP\00_CADD\Sheet Files\UT\Alt2 (Edison A)\BP-UT-C4325

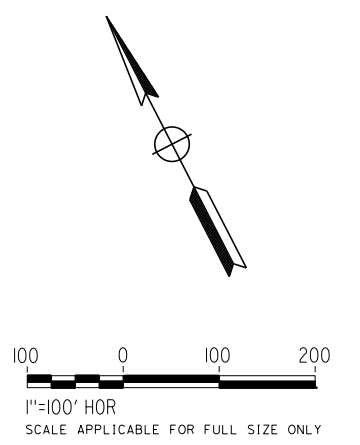
1/20/2021 4:40:22 AM

ics_user_17609



MATCH LINE (UT-C4324)

5+00 17890+00 17895+00 17900+00 17905+00 17908+22

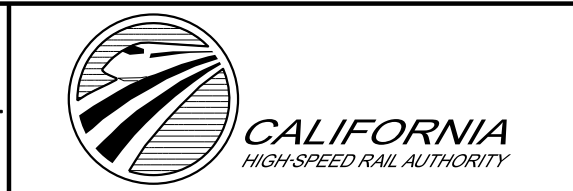


REV	DATE	BY	CHK	APP	DESCRIPTION

DESIGNED BY
D. HOLMAN
DRAWN BY
J. LOPEZ
CHECKED BY
G. CAMPBELL
IN CHARGE
G. CAMPBELL
DATE
01/29/2021

**RECORD SET
PEPD
SUBMITTAL**

**NOT FOR
CONSTRUCTION**



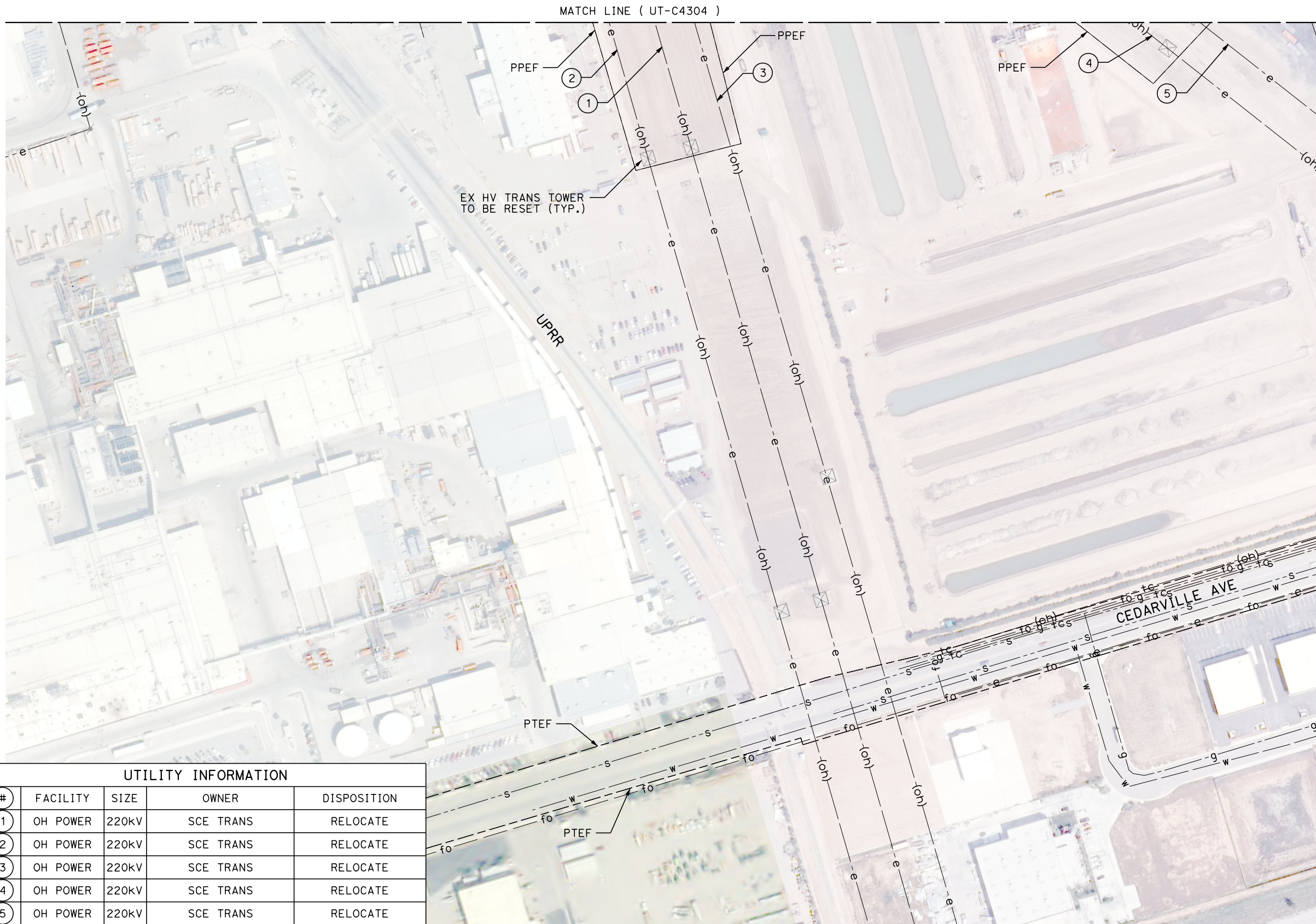
**CALIFORNIA HIGH-SPEED RAIL PROJECT
BAKERSFIELD TO PALMDALE**
COMPOSITE UTILITY PLANS
ALTERNATIVE 2
STA 17885+00 TO 17908+22

CONTRACT NO.
HSR13-44
DRAWING NO.
UT-C4325
SCALE
AS SHOWN
SHEET NO.
1142

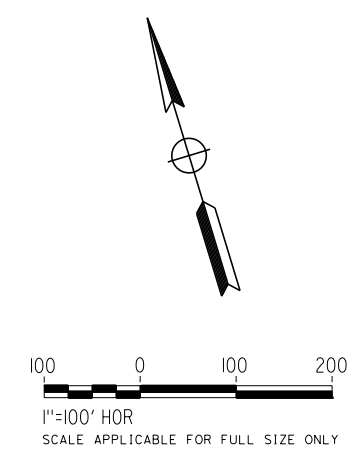
Projects\701206.00_CHSRBP\00_CADD\Sheet Files\UT\A1\12 (Edison A)\BP-UT-C4331

1/20/2021 4:51:26 AM

ics_user_17609



UTILITY INFORMATION				
#	FACILITY	SIZE	OWNER	DISPOSITION
1	OH POWER	220kV	SCE TRANS	RELOCATE
2	OH POWER	220kV	SCE TRANS	RELOCATE
3	OH POWER	220kV	SCE TRANS	RELOCATE
4	OH POWER	220kV	SCE TRANS	RELOCATE
5	OH POWER	220kV	SCE TRANS	RELOCATE



REV	DATE	BY	CHK	APP	DESCRIPTION

DESIGNED BY
D. HOLMAN
DRAWN BY
J. LOPEZ
CHECKED BY
G. CAMPBELL
IN CHARGE
G. CAMPBELL
DATE
01/29/2021

**RECORD SET
PEPD
SUBMITTAL**

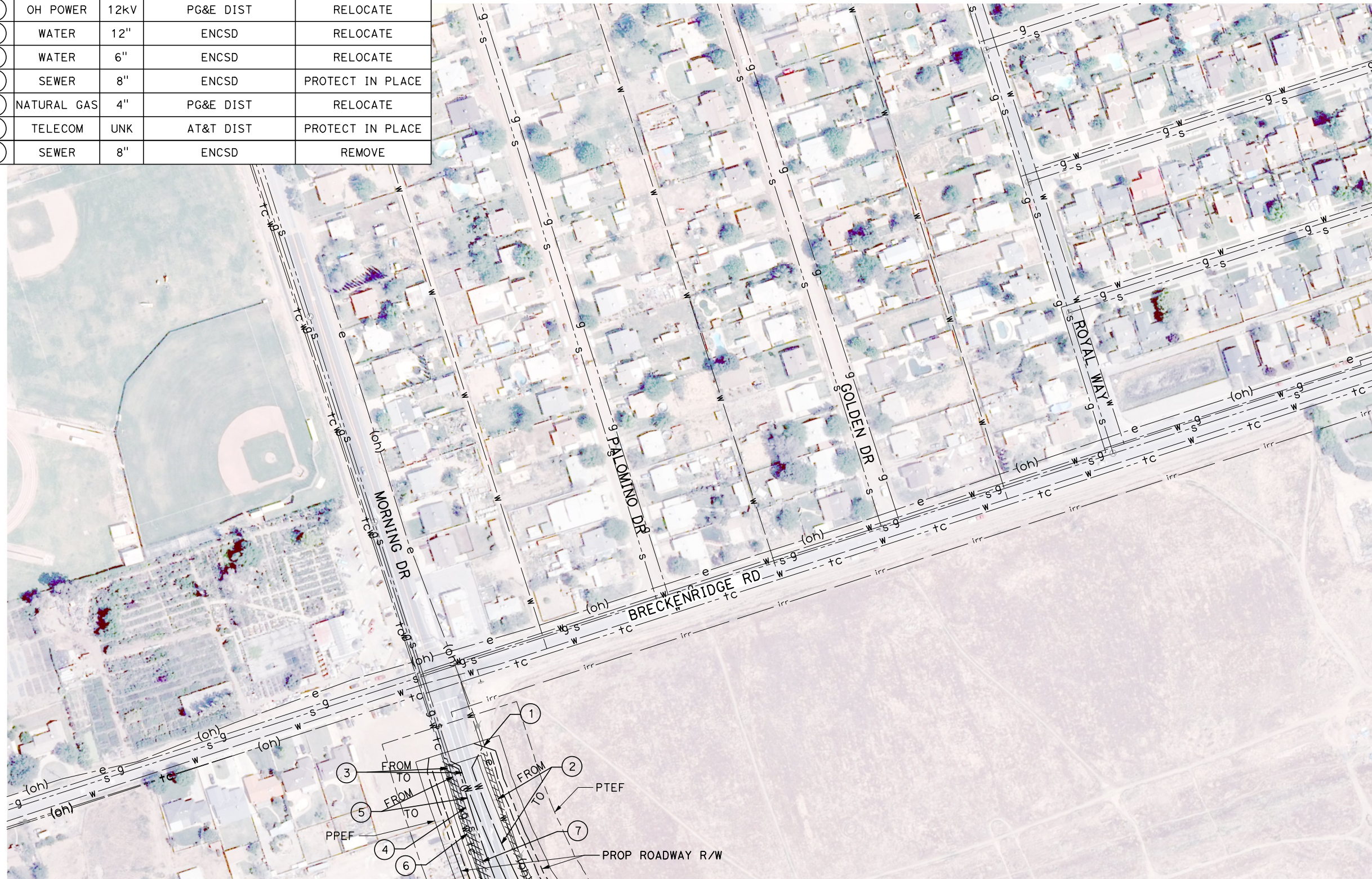
**NOT FOR
CONSTRUCTION**



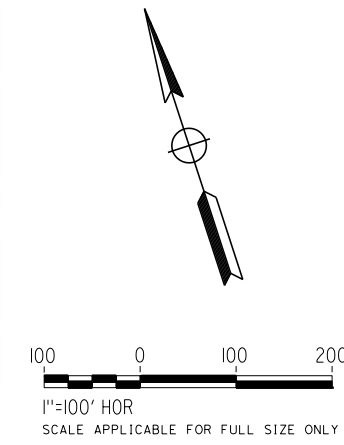
**CALIFORNIA HIGH-SPEED RAIL PROJECT
BAKERSFIELD TO PALMDALE**
COMPOSITE UTILITY PLANS
ALTERNATIVE 2
STA 17360+00 TO 17385+00

CONTRACT NO.
HSR13-44
DRAWING NO.
UT-C4331
SCALE
AS SHOWN
SHEET NO.
1143

UTILITY INFORMATION				
#	FACILITY	SIZE	OWNER	DISPOSITION
1	OH POWER	12KV	PG&E DIST	RELOCATE
2	WATER	12"	ENCSD	RELOCATE
3	WATER	6"	ENCSD	RELOCATE
4	SEWER	8"	ENCSD	PROTECT IN PLACE
5	NATURAL GAS	4"	PG&E DIST	RELOCATE
6	TELECOM	UNK	AT&T DIST	PROTECT IN PLACE
7	SEWER	8"	ENCSD	REMOVE



MATCH LINE (UT-C4305)



Projects\701206.00_CHSRBP\00_CADD\Sheet Files\UT\A1\T2 (Edison A)\BP-UT-C4332

1/20/2021 4:50:06 AM

ics_user_17609

REV	DATE	BY	CHK	APP	DESCRIPTION

DESIGNED BY
D. HOLMAN
DRAWN BY
J. LOPEZ
CHECKED BY
G. CAMPBELL
IN CHARGE
G. CAMPBELL
DATE
01/29/2021

RECORD SET
PEPD
SUBMITTAL

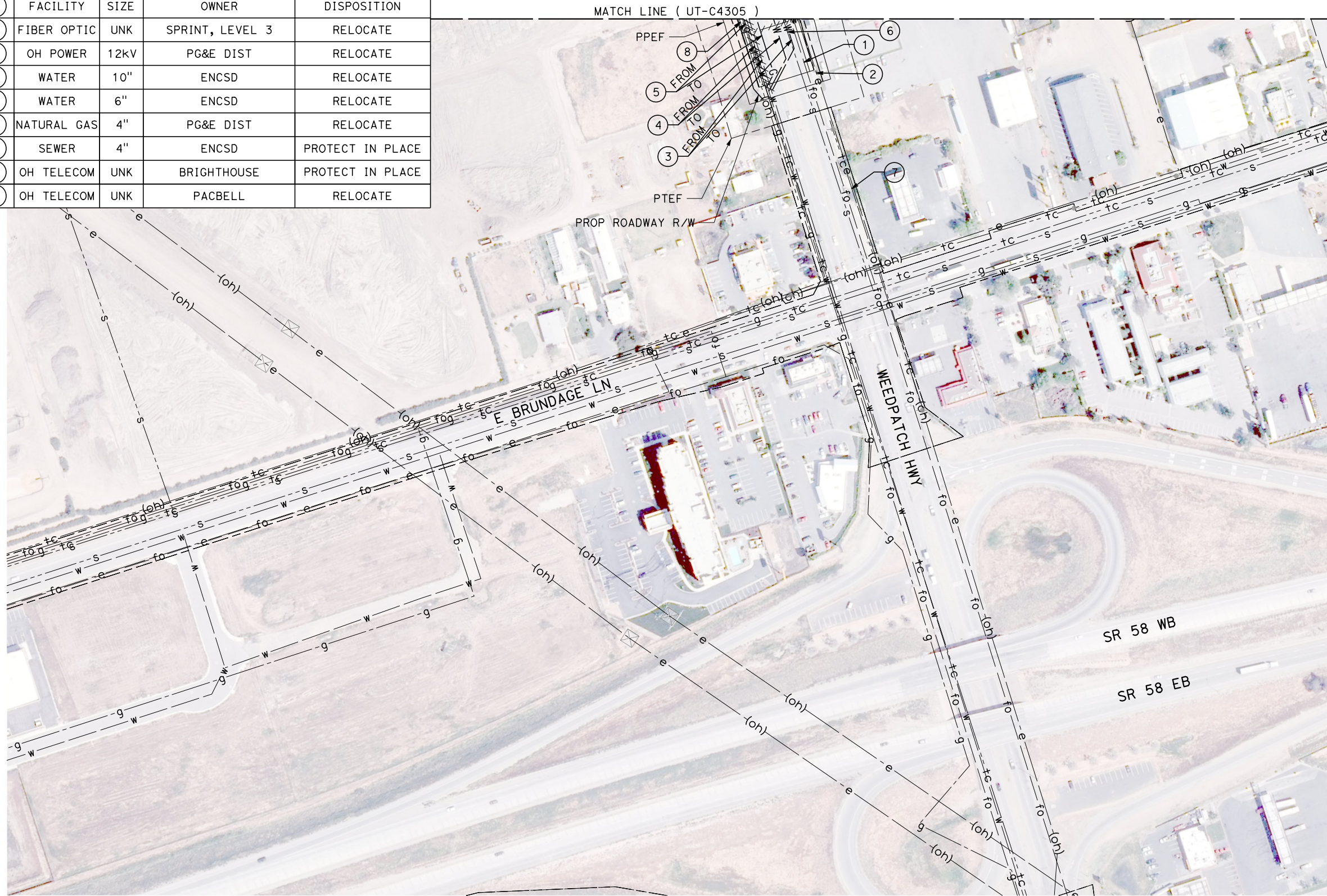
NOT FOR
CONSTRUCTION



CALIFORNIA HIGH-SPEED RAIL PROJECT
BAKERSFIELD TO PALMDALE
COMPOSITE UTILITY PLANS
ALTERNATIVE 2
STA 17385+00 TO 17410+00

CONTRACT NO.
HSR13-44
DRAWING NO.
UT-C4332
SCALE
AS SHOWN
SHEET NO.
1144

UTILITY INFORMATION				
#	FACILITY	SIZE	OWNER	DISPOSITION
1	FIBER OPTIC	UNK	SPRINT, LEVEL 3	RELOCATE
2	OH POWER	12kV	PG&E DIST	RELOCATE
3	WATER	10"	ENCSD	RELOCATE
4	WATER	6"	ENCSD	RELOCATE
5	NATURAL GAS	4"	PG&E DIST	RELOCATE
6	SEWER	4"	ENCSD	PROTECT IN PLACE
7	OH TELECOM	UNK	BRIGHTHOUSE	PROTECT IN PLACE
8	OH TELECOM	UNK	PACBELL	RELOCATE



1/20/2021 4:47:49 AM Projects\701206.00_CHSRBP\00_CADD\Sheet Files\UT\11\2 (Edison A)\BP-UT-C4333

REV	DATE	BY	CHK	APP	DESCRIPTION

DESIGNED BY
D. HOLMAN
DRAWN BY
J. LOPEZ
CHECKED BY
G. CAMPBELL
IN CHARGE
G. CAMPBELL
DATE
01/29/2021

RECORD SET
PEPD
SUBMITTAL

NOT FOR
CONSTRUCTION

TYLINT INTERNATIONAL



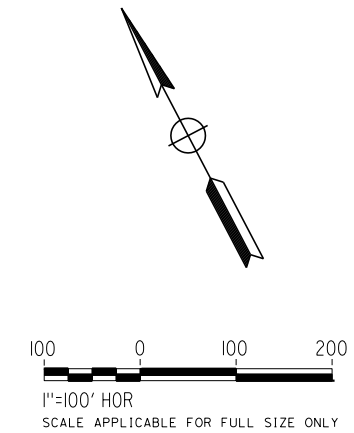
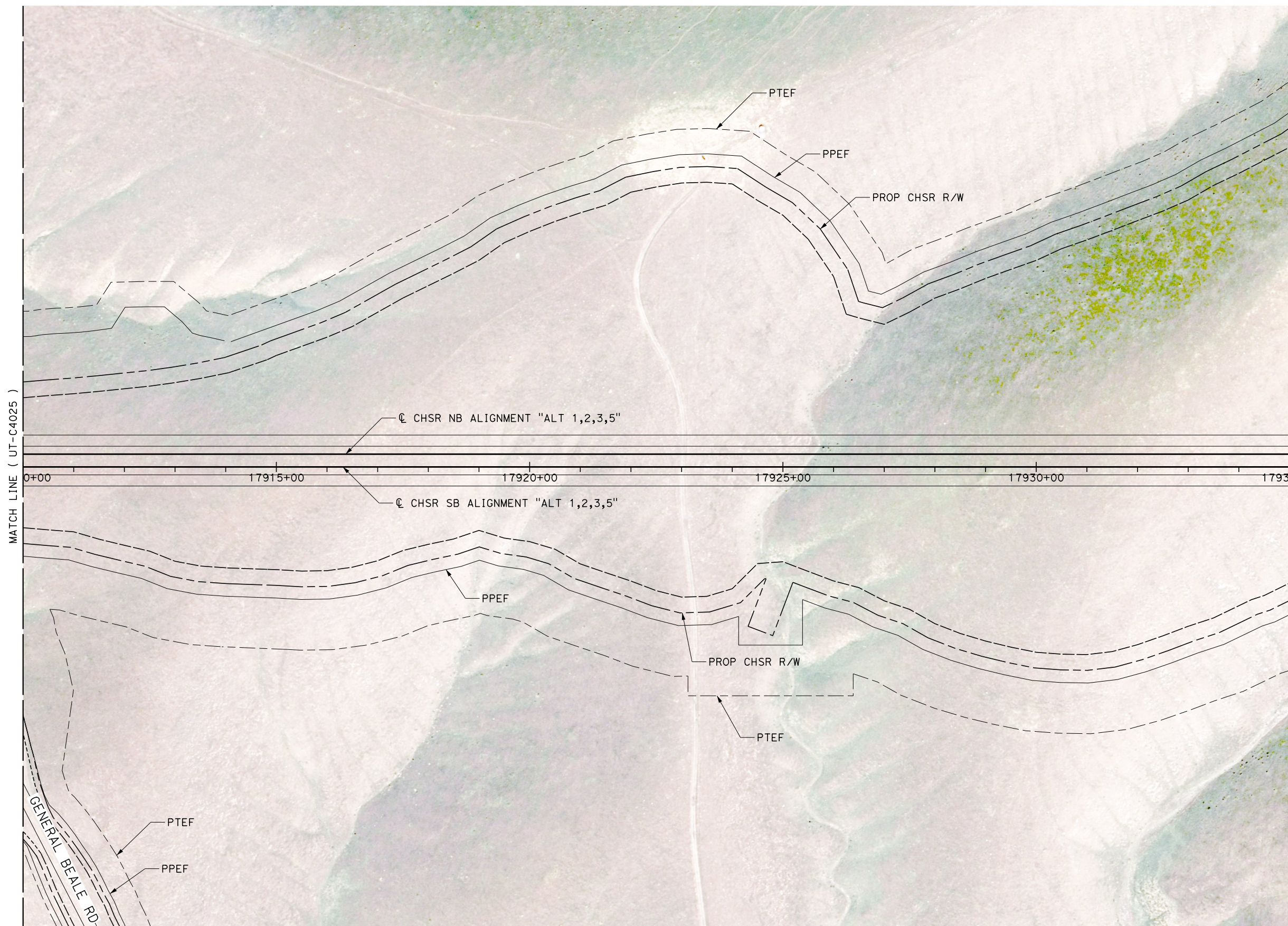
CALIFORNIA HIGH-SPEED RAIL PROJECT
BAKERSFIELD TO PALMDALE
COMPOSITE UTILITY PLANS
ALTERNATIVE 2
STA 17385+00 TO 17410+00

CONTRACT NO.
HSR13-44
DRAWING NO.
UT-C4333
SCALE
AS SHOWN
SHEET NO.
1145

Projects\701206.00_CHSRBP\00_CADD\Sheet Files\UT\AI\1\BP-UT-C4026

1/23/2021 3:01:54 AM

ics_user_17609



REV	DATE	BY	CHK	APP	DESCRIPTION

DESIGNED BY
D. HOLMAN

DRAWN BY
J. LOPEZ

CHECKED BY
G. CAMPBELL

IN CHARGE
G. CAMPBELL

DATE
01/29/2021

RECORD SET
PEPD
SUBMITTAL

NOT FOR
CONSTRUCTION



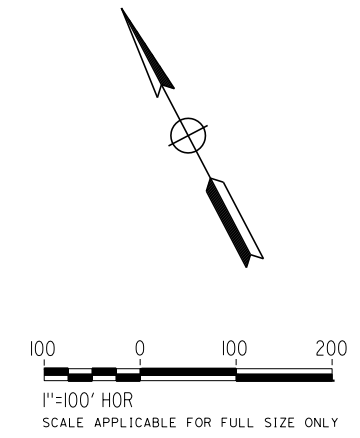
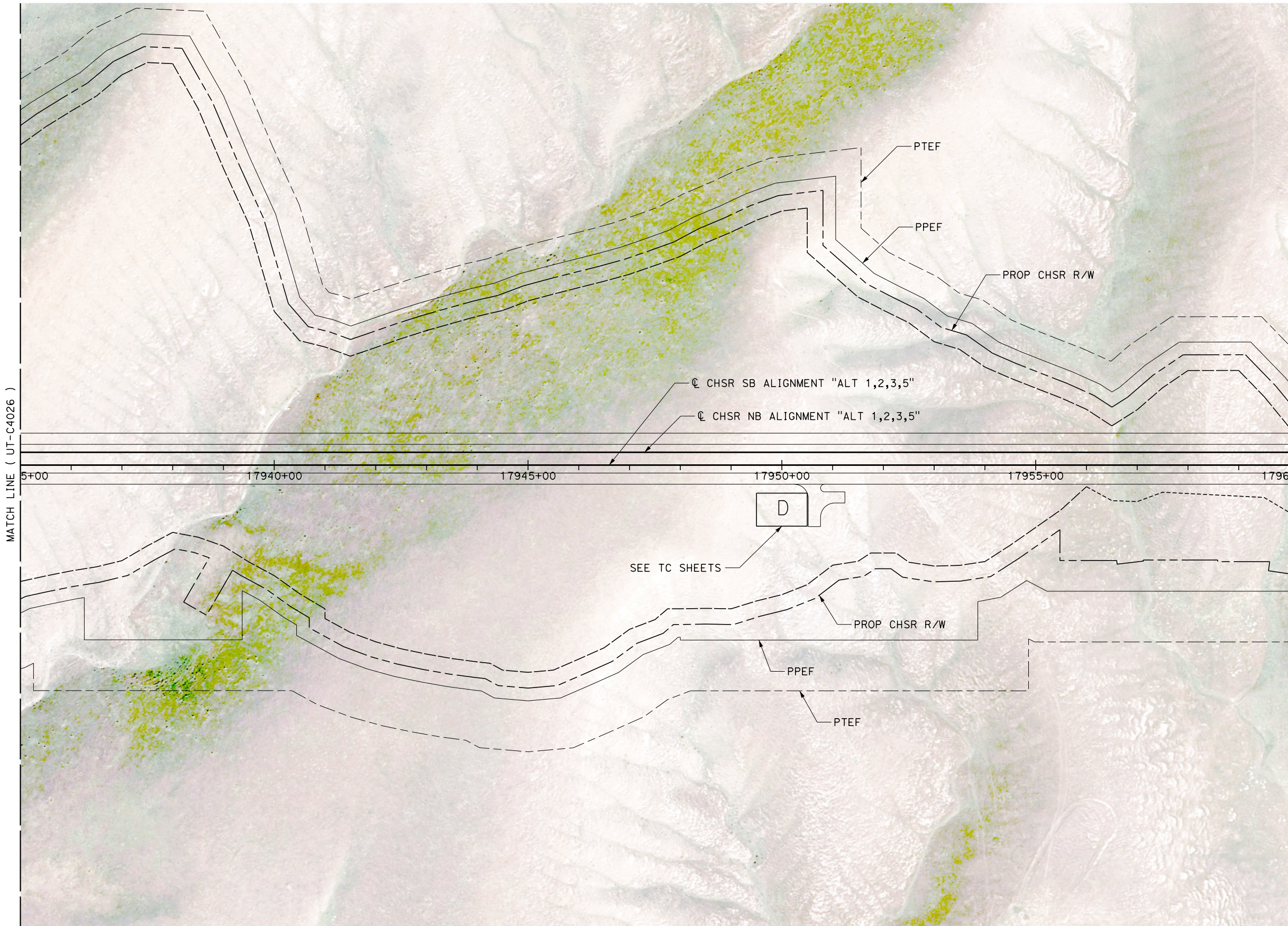
CALIFORNIA HIGH-SPEED RAIL PROJECT
BAKERSFIELD TO PALMDALE
COMPOSITE UTILITY PLANS
ALTERNATIVE 1,2,3,5
STA 17910+00 TO 17935+00

CONTRACT NO.
HSR13-44

DRAWING NO.
UT-C4026

SCALE
AS SHOWN

SHEET NO.
1146

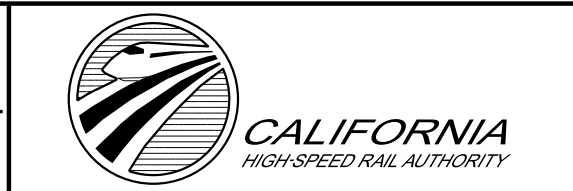


REV	DATE	BY	CHK	APP	DESCRIPTION

DESIGNED BY
D. HOLMAN
 DRAWN BY
J. LOPEZ
 CHECKED BY
G. CAMPBELL
 IN CHARGE
G. CAMPBELL
 DATE
01/29/2021

RECORD SET
PEPD
SUBMITTAL

NOT FOR
CONSTRUCTION



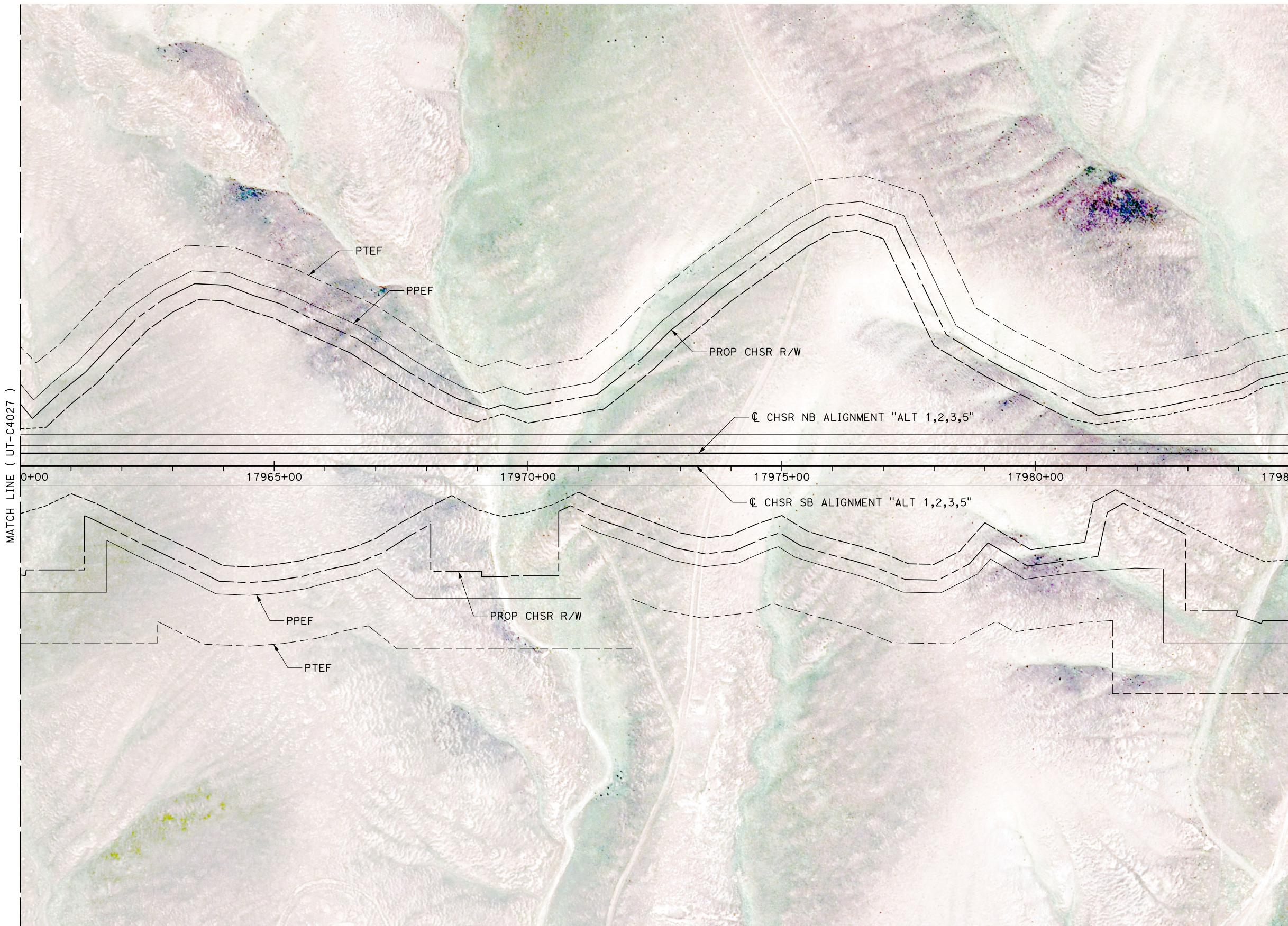
CALIFORNIA HIGH-SPEED RAIL PROJECT
BAKERSFIELD TO PALMDALE
 COMPOSITE UTILITY PLANS
 ALTERNATIVE 1,2,3,5
 STA 17935+00 TO 17960+00

CONTRACT NO.
HSR13-44
 DRAWING NO.
UT-C4027
 SCALE
AS SHOWN
 SHEET NO.
1147

Projects\701206.00_CHSRBP\00_CADD\Sheet_Files\UT\AI\1\BP-UT-C4028

1/23/2021 3:01:37 AM

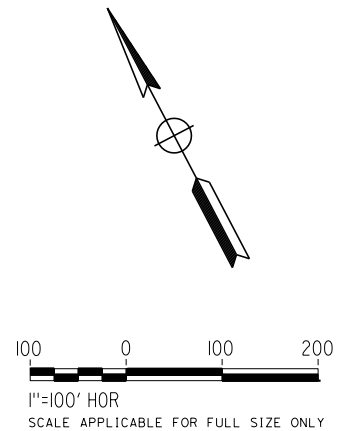
jcs_user_17609



MATCH LINE (UT-C4027)

MATCH LINE (UT-C4029)

17960+00 17965+00 17970+00 17975+00 17980+00 17985+00



REV	DATE	BY	CHK	APP	DESCRIPTION

DESIGNED BY
D. HOLMAN
DRAWN BY
J. LOPEZ
CHECKED BY
G. CAMPBELL
IN CHARGE
G. CAMPBELL
DATE
01/29/2021

RECORD SET
PEPD
SUBMITTAL

NOT FOR
CONSTRUCTION



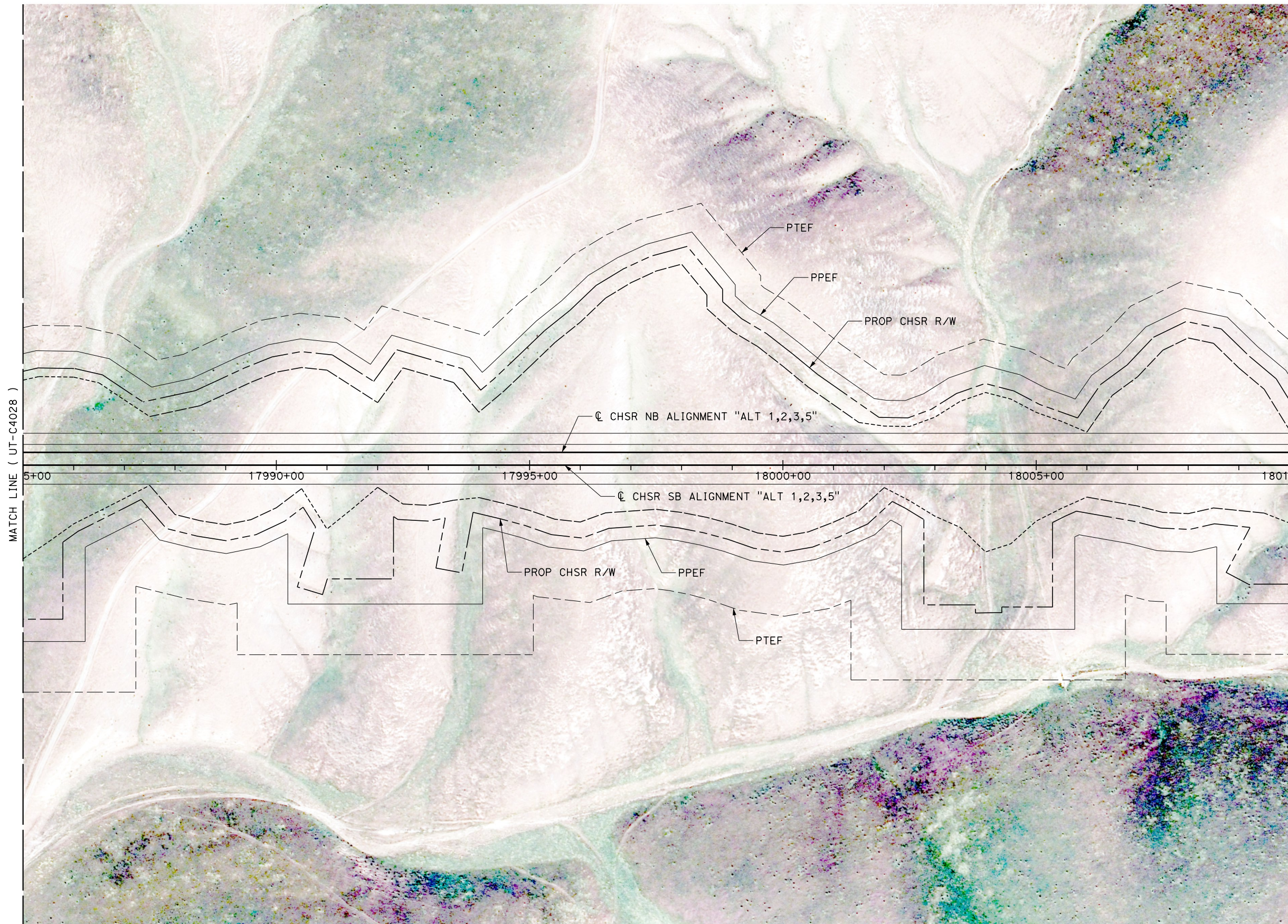
CALIFORNIA HIGH-SPEED RAIL PROJECT
BAKERSFIELD TO PALMDALE
COMPOSITE UTILITY PLANS
ALTERNATIVE 1,2,3,5
STA 17960+00 TO 17985+00

CONTRACT NO.
HSR13-44
DRAWING NO.
UT-C4028
SCALE
AS SHOWN
SHEET NO.
1148

Projects\701206.00_CHSRBP\00_CADD\Sheet Files\UT\A\1\BP-UT-C4029

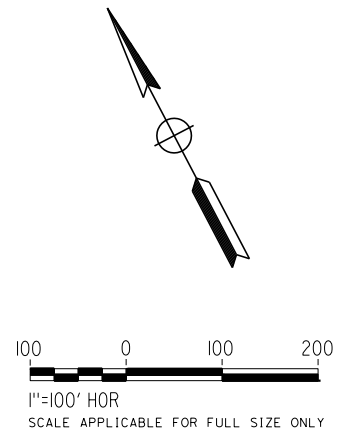
1/23/2021 3:01:59 AM

ics_user_17609



MATCH LINE (UT-C4028)

MATCH LINE (UT-C4030)



REV	DATE	BY	CHK	APP	DESCRIPTION

DESIGNED BY
D. HOLMAN
DRAWN BY
J. LOPEZ
CHECKED BY
G. CAMPBELL
IN CHARGE
G. CAMPBELL
DATE
01/29/2021

**RECORD SET
PEPD
SUBMITTAL**

**NOT FOR
CONSTRUCTION**



**CALIFORNIA HIGH-SPEED RAIL PROJECT
BAKERSFIELD TO PALMDALE**
COMPOSITE UTILITY PLANS
ALTERNATIVE 1,2,3,5
STA 17985+00 TO 18010+00

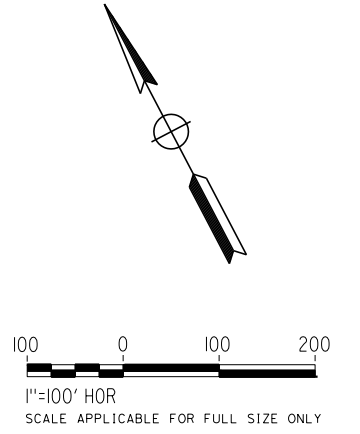
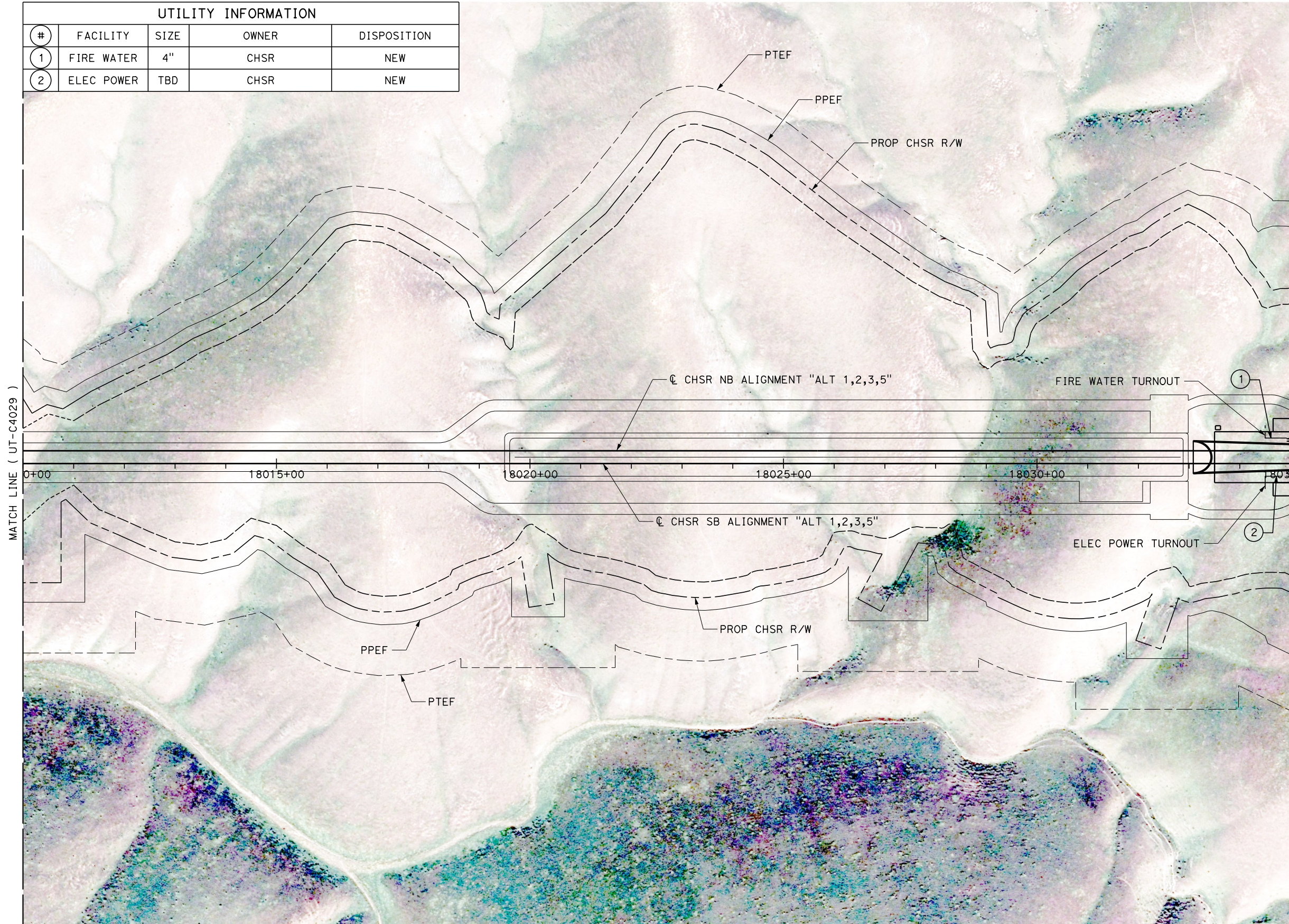
CONTRACT NO.
HSR13-44
DRAWING NO.
UT-C4029
SCALE
AS SHOWN
SHEET NO.
1149

Projects\701206.00_CHSRBP\00_CADD\Sheet Files\UT\1\BP-UT-C4030

1/23/2021 3:02:10 AM

ics_user_17609

UTILITY INFORMATION				
#	FACILITY	SIZE	OWNER	DISPOSITION
1	FIRE WATER	4"	CHSR	NEW
2	ELEC POWER	TBD	CHSR	NEW



REV	DATE	BY	CHK	APP	DESCRIPTION

DESIGNED BY
D. HOLMAN
DRAWN BY
J. LOPEZ
CHECKED BY
G. CAMPBELL
IN CHARGE
G. CAMPBELL
DATE
01/29/2021

RECORD SET
PEPD
SUBMITTAL

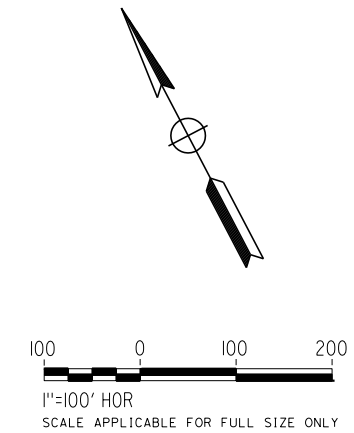
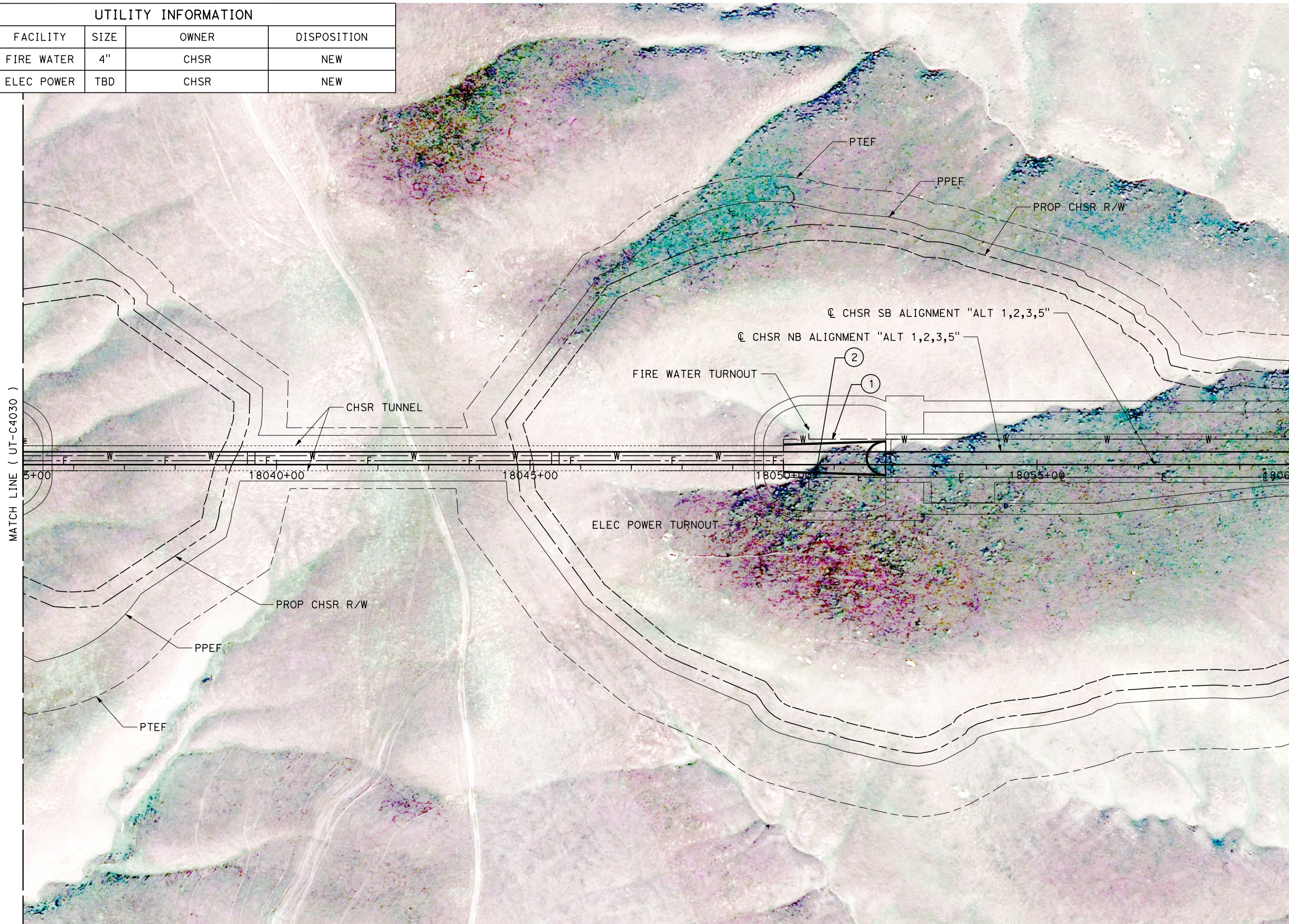
NOT FOR
CONSTRUCTION



CALIFORNIA HIGH-SPEED RAIL PROJECT
BAKERSFIELD TO PALMDALE
COMPOSITE UTILITY PLANS
ALTERNATIVE 1,2,3,5
STA 18010+00 TO 18035+00

CONTRACT NO.
HSR13-44
DRAWING NO.
UT-C4030
SCALE
AS SHOWN
SHEET NO.
1150

UTILITY INFORMATION				
#	FACILITY	SIZE	OWNER	DISPOSITION
1	FIRE WATER	4"	CHSR	NEW
2	ELEC POWER	TBD	CHSR	NEW



Projects\701206.00_CHSRBF\00_CADD\Sheet_Files\UT\AI\1_NBP-UT-C4031

1/23/2021 3:02:32 AM

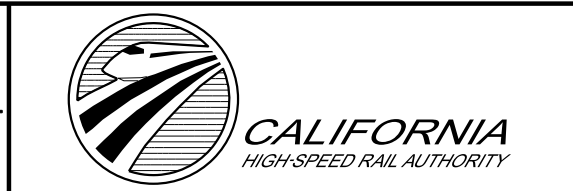
jcs_user_17609

REV	DATE	BY	CHK	APP	DESCRIPTION

DESIGNED BY
D. HOLMAN
DRAWN BY
J. LOPEZ
CHECKED BY
G. CAMPBELL
IN CHARGE
G. CAMPBELL
DATE
01/29/2021

**RECORD SET
PEPD
SUBMITTAL**

**NOT FOR
CONSTRUCTION**



**CALIFORNIA HIGH-SPEED RAIL PROJECT
BAKERSFIELD TO PALMDALE**
COMPOSITE UTILITY PLANS
ALTERNATIVE 1,2,3,5
STA 18035+00 TO 18060+00

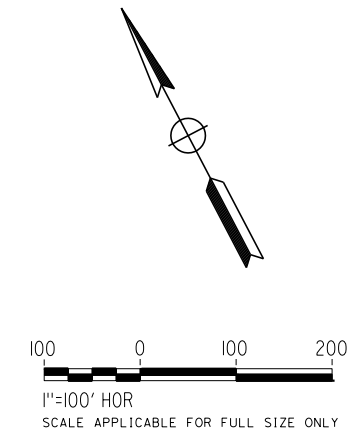
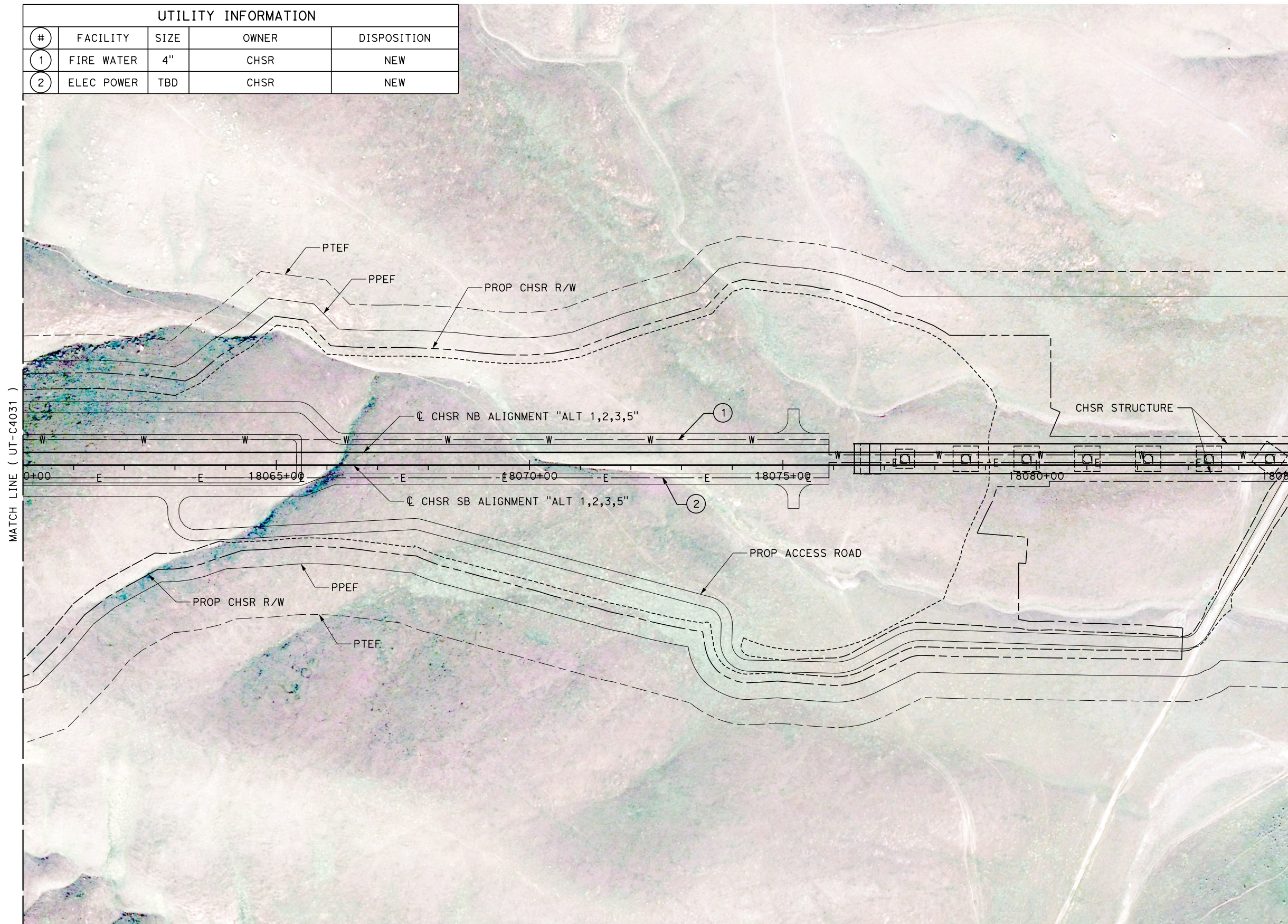
CONTRACT NO.
HSR13-44
DRAWING NO.
UT-C4031
SCALE
AS SHOWN
SHEET NO.
1151

Projects\701206.00_CHSRBP\00_CADD\Sheet Files\UT\AI\1\BP-UT-C4032

1/23/2021 3:02:39 AM

ics_user_17609

UTILITY INFORMATION				
#	FACILITY	SIZE	OWNER	DISPOSITION
1	FIRE WATER	4"	CHSR	NEW
2	ELEC POWER	TBD	CHSR	NEW



REV	DATE	BY	CHK	APP	DESCRIPTION

DESIGNED BY
D. HOLMAN
DRAWN BY
J. LOPEZ
CHECKED BY
G. CAMPBELL
IN CHARGE
G. CAMPBELL
DATE
01/29/2021

RECORD SET
PEPD
SUBMITTAL

NOT FOR
CONSTRUCTION



CALIFORNIA HIGH-SPEED RAIL PROJECT
BAKERSFIELD TO PALMDALE
COMPOSITE UTILITY PLANS
ALTERNATIVE 1,2,3,5
STA 18060+00 TO 18085+00

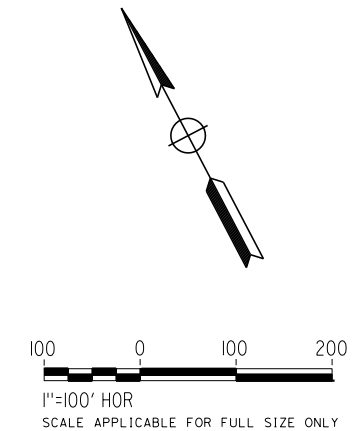
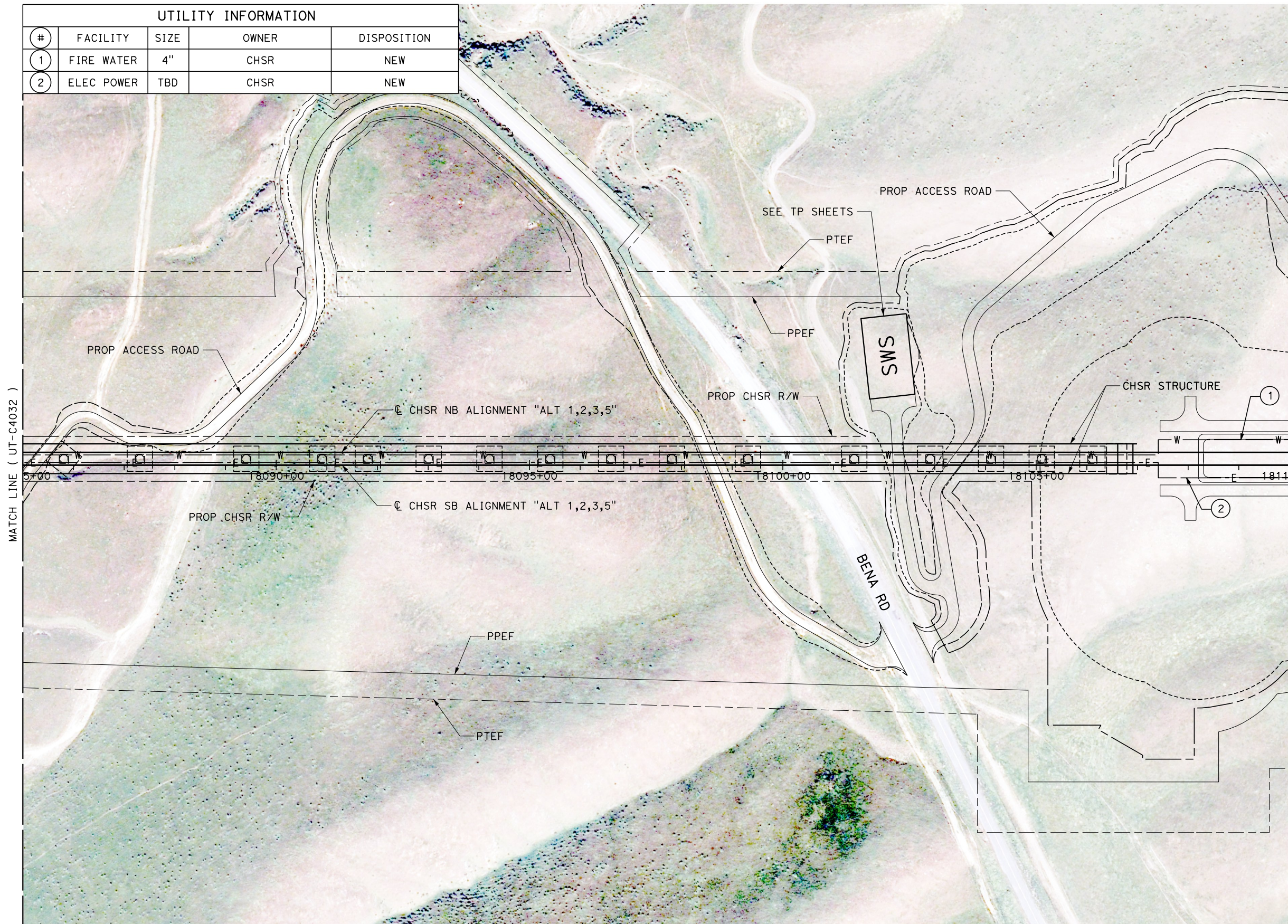
CONTRACT NO.
HSR13-44
DRAWING NO.
UT-C4032
SCALE
AS SHOWN
SHEET NO.
1152

Projects\701206.00_CHSRBP\00_CADD\Sheet Files\UT\A\1\BP-UT-C4033

1/23/2021 3:03:07 AM

jcs_user_17609

UTILITY INFORMATION				
#	FACILITY	SIZE	OWNER	DISPOSITION
1	FIRE WATER	4"	CHSR	NEW
2	ELEC POWER	TBD	CHSR	NEW



REV	DATE	BY	CHK	APP	DESCRIPTION

DESIGNED BY
D. HOLMAN
DRAWN BY
J. LOPEZ
CHECKED BY
G. CAMPBELL
IN CHARGE
G. CAMPBELL
DATE
01/29/2021

**RECORD SET
PEPD
SUBMITTAL**

**NOT FOR
CONSTRUCTION**



**CALIFORNIA HIGH-SPEED RAIL PROJECT
BAKERSFIELD TO PALMDALE**
COMPOSITE UTILITY PLANS
ALTERNATIVE 1,2,3,5
STA 18085+00 TO 18110+00

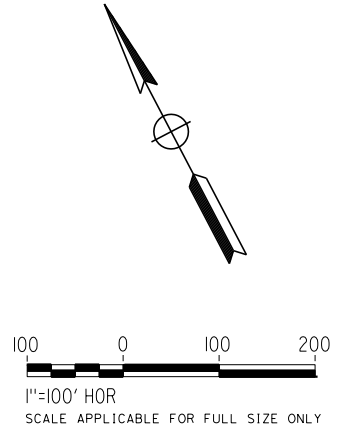
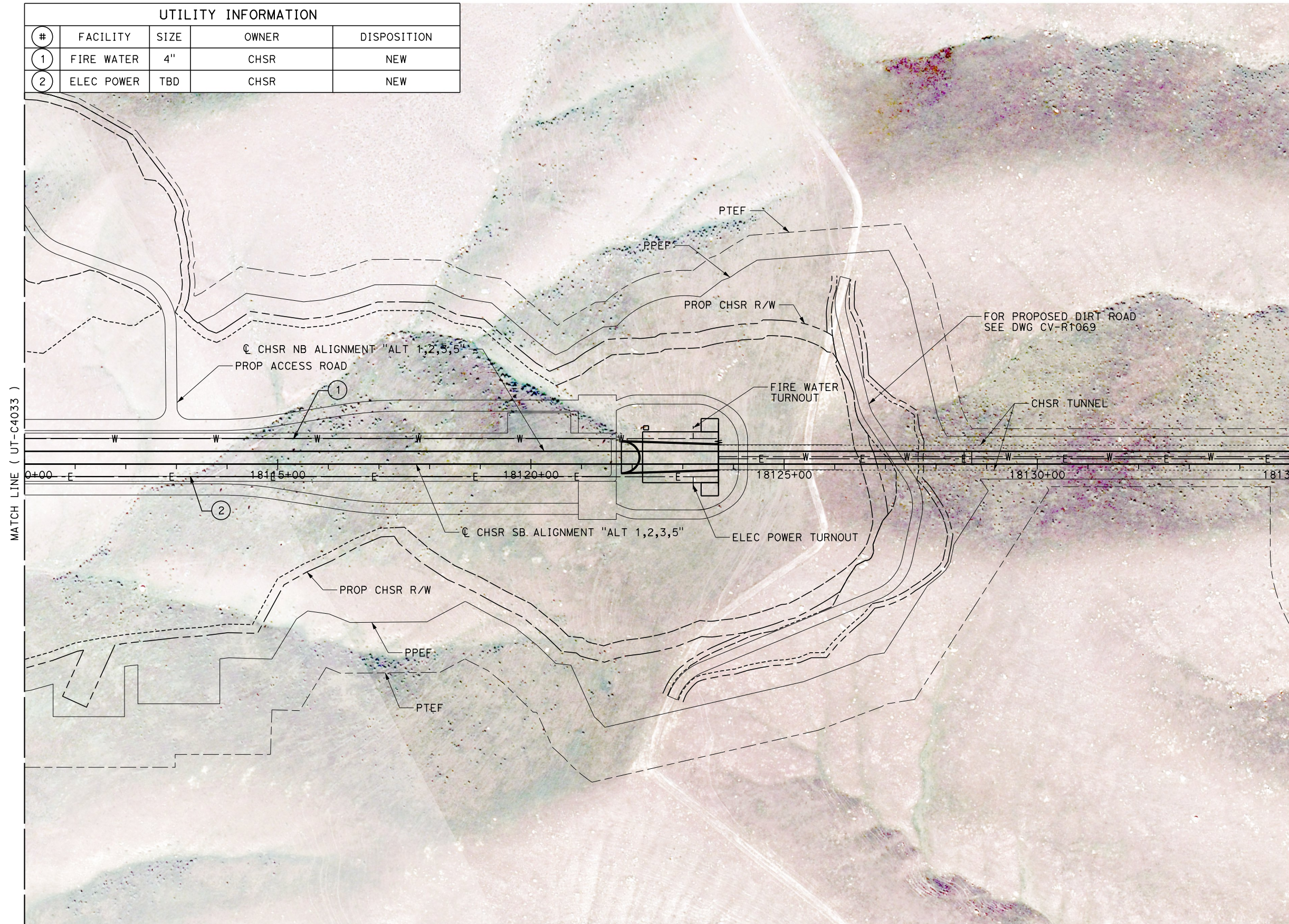
CONTRACT NO.
HSR13-44
DRAWING NO.
UT-C4033
SCALE
AS SHOWN
SHEET NO.
1153

Projects\701206.00_CHSRBP\00_CADD\Sheet_Files\UT\A1\1_NBP_UT-C4034

1/23/2021 3:03:15 AM

jcs_user_17609

UTILITY INFORMATION				
#	FACILITY	SIZE	OWNER	DISPOSITION
1	FIRE WATER	4"	CHSR	NEW
2	ELEC POWER	TBD	CHSR	NEW



REV	DATE	BY	CHK	APP	DESCRIPTION

DESIGNED BY
D. HOLMAN
DRAWN BY
J. LOPEZ
CHECKED BY
G. CAMPBELL
IN CHARGE
G. CAMPBELL
DATE
01/29/2021

**RECORD SET
PEPD
SUBMITTAL**

**NOT FOR
CONSTRUCTION**



**CALIFORNIA HIGH-SPEED RAIL PROJECT
BAKERSFIELD TO PALMDALE**
COMPOSITE UTILITY PLANS
ALTERNATIVE 1,2,3,5
STA 18110+00 TO 18135+00

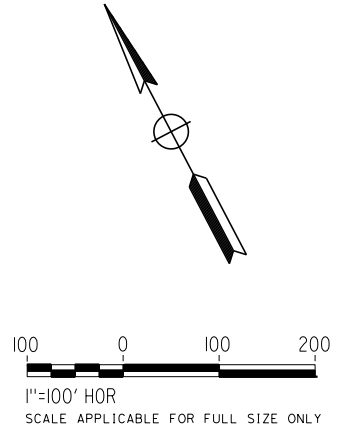
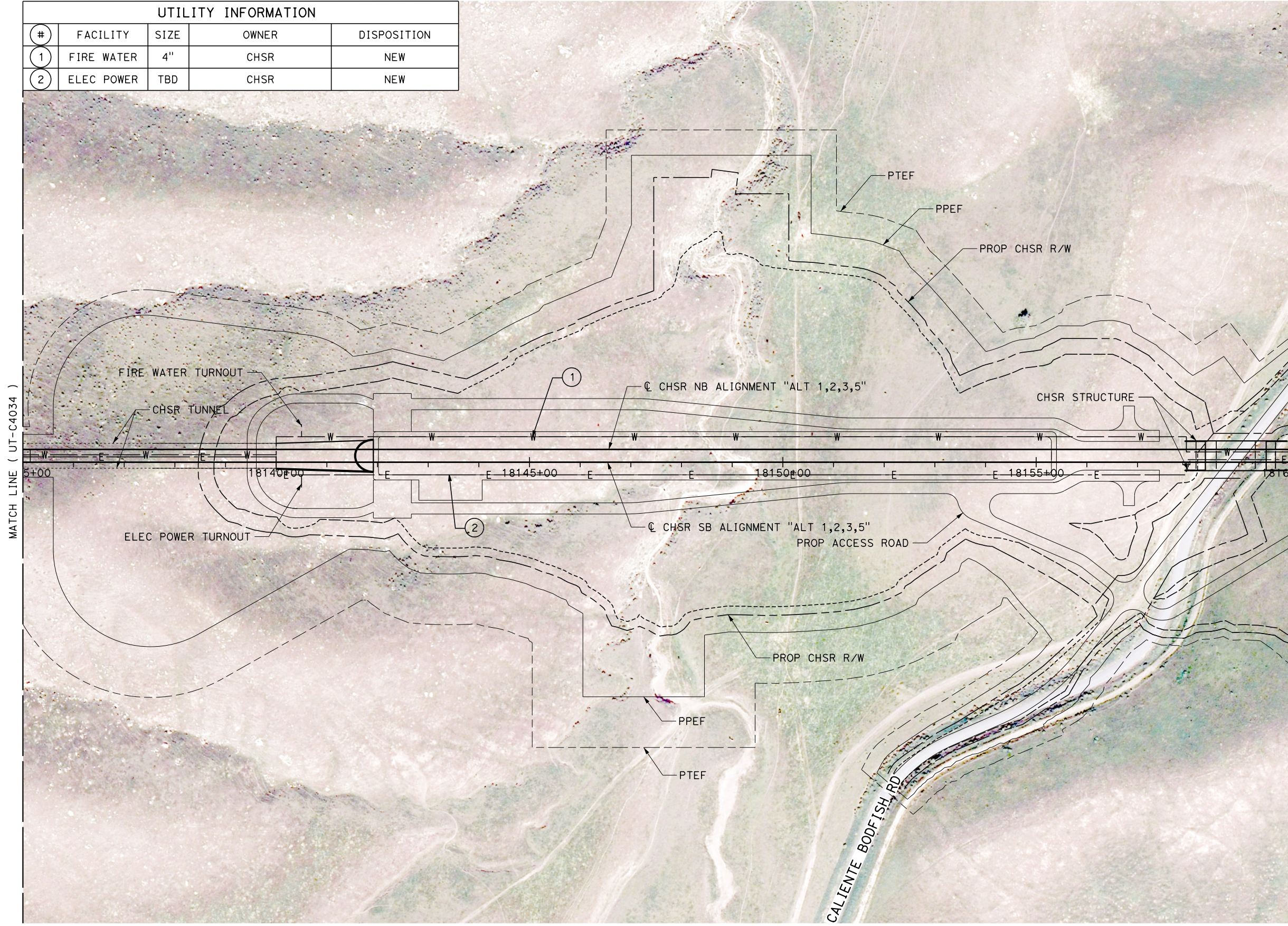
CONTRACT NO.
HSR13-44
DRAWING NO.
UT-C4034
SCALE
AS SHOWN
SHEET NO.
1154

Projects\701206.00_CHSRBP\00_CADD\Sheet_Files\UT\1\BP-UT-C4035

1/23/2021 3:02:33 AM

ics_user_17609

UTILITY INFORMATION				
#	FACILITY	SIZE	OWNER	DISPOSITION
1	FIRE WATER	4"	CHSR	NEW
2	ELEC POWER	TBD	CHSR	NEW



REV	DATE	BY	CHK	APP	DESCRIPTION

DESIGNED BY
D. HOLMAN
DRAWN BY
J. LOPEZ
CHECKED BY
G. CAMPBELL
IN CHARGE
G. CAMPBELL
DATE
01/29/2021

**RECORD SET
PEPD
SUBMITTAL**

**NOT FOR
CONSTRUCTION**



**CALIFORNIA HIGH-SPEED RAIL PROJECT
BAKERSFIELD TO PALMDALE**
COMPOSITE UTILITY PLANS
ALTERNATIVE 1,2,3,5
STA 18135+00 TO 18160+00

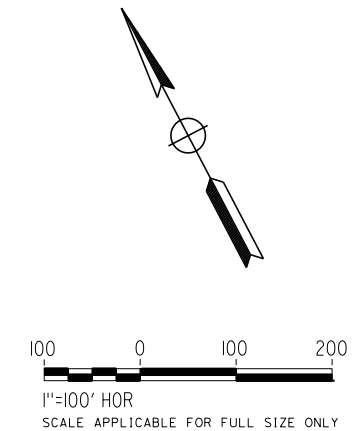
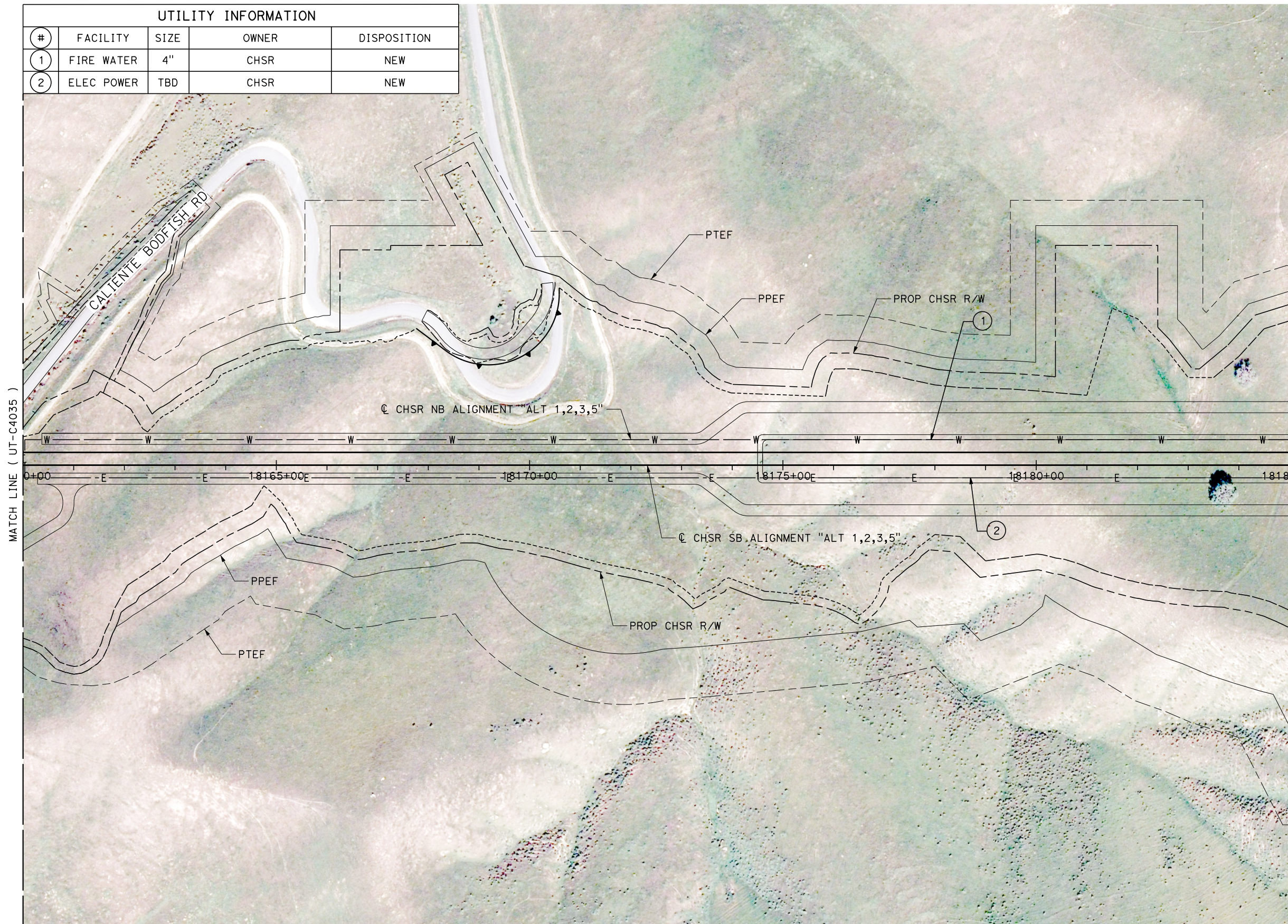
CONTRACT NO.
HSR13-44
DRAWING NO.
UT-C4035
SCALE
AS SHOWN
SHEET NO.
1155

Projects\701206.00_CHSRBP\00_CADD\Sheet_Files\UT\AI\1\BP-UT-C4036

1/23/2021 3:02:41 AM

ics_user_17609

UTILITY INFORMATION				
#	FACILITY	SIZE	OWNER	DISPOSITION
1	FIRE WATER	4"	CHSR	NEW
2	ELEC POWER	TBD	CHSR	NEW



REV	DATE	BY	CHK	APP	DESCRIPTION

DESIGNED BY
D. HOLMAN
DRAWN BY
J. LOPEZ
CHECKED BY
G. CAMPBELL
IN CHARGE
G. CAMPBELL
DATE
01/29/2021

**RECORD SET
PEPD
SUBMITTAL**

**NOT FOR
CONSTRUCTION**



**CALIFORNIA HIGH-SPEED RAIL PROJECT
BAKERSFIELD TO PALMDALE**
COMPOSITE UTILITY PLANS
ALTERNATIVE 1,2,3,5
STA 18160+00 TO 18185+00

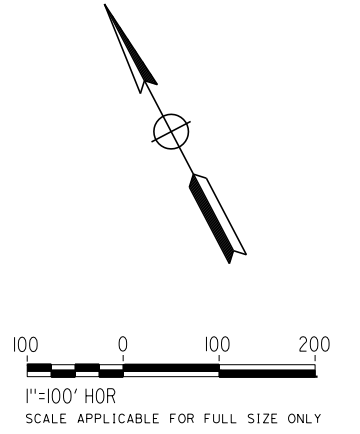
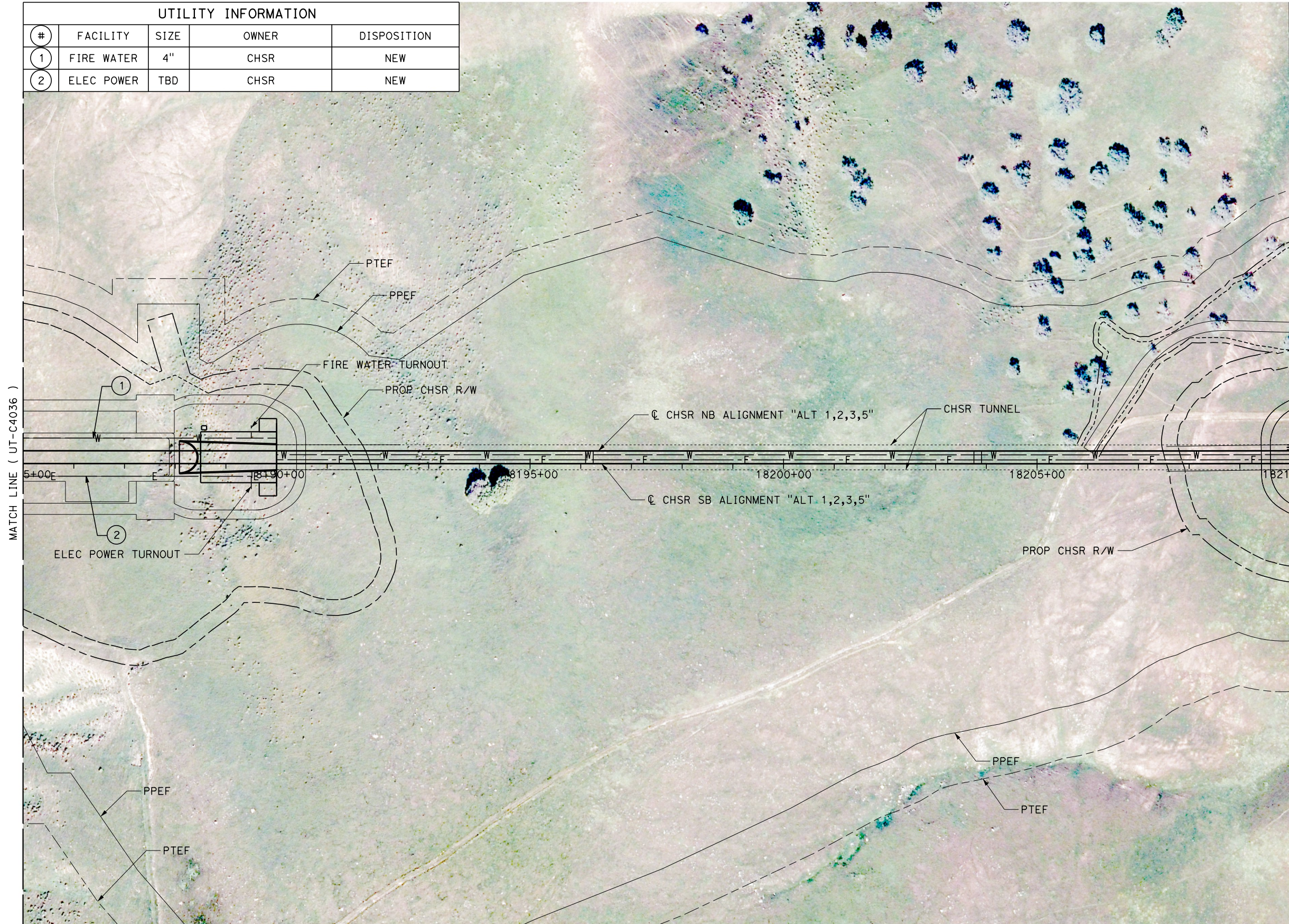
CONTRACT NO.
HSR13-44
DRAWING NO.
UT-C4036
SCALE
AS SHOWN
SHEET NO.
1156

Projects\701206.00_CHSRBP\00_CADD\Sheet_Files\UT\AI\1_NBP_UT-C4037

1/23/2021 3:02:44 AM

ics_user_17609

UTILITY INFORMATION				
#	FACILITY	SIZE	OWNER	DISPOSITION
1	FIRE WATER	4"	CHSR	NEW
2	ELEC POWER	TBD	CHSR	NEW



REV	DATE	BY	CHK	APP	DESCRIPTION

DESIGNED BY
D. HOLMAN
DRAWN BY
J. LOPEZ
CHECKED BY
G. CAMPBELL
IN CHARGE
G. CAMPBELL
DATE
01/29/2021

**RECORD SET
PEPD
SUBMITTAL**

**NOT FOR
CONSTRUCTION**



**CALIFORNIA HIGH-SPEED RAIL PROJECT
BAKERSFIELD TO PALMDALE**

COMPOSITE UTILITY PLANS
ALTERNATIVE 1,2,3,5
STA 18185+00 TO 18210+00

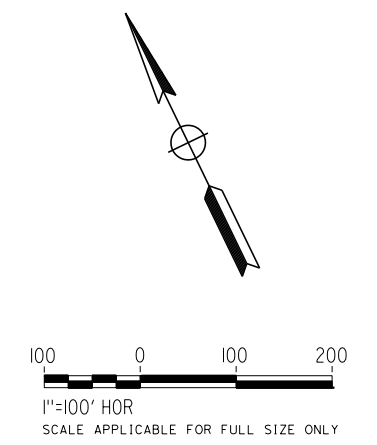
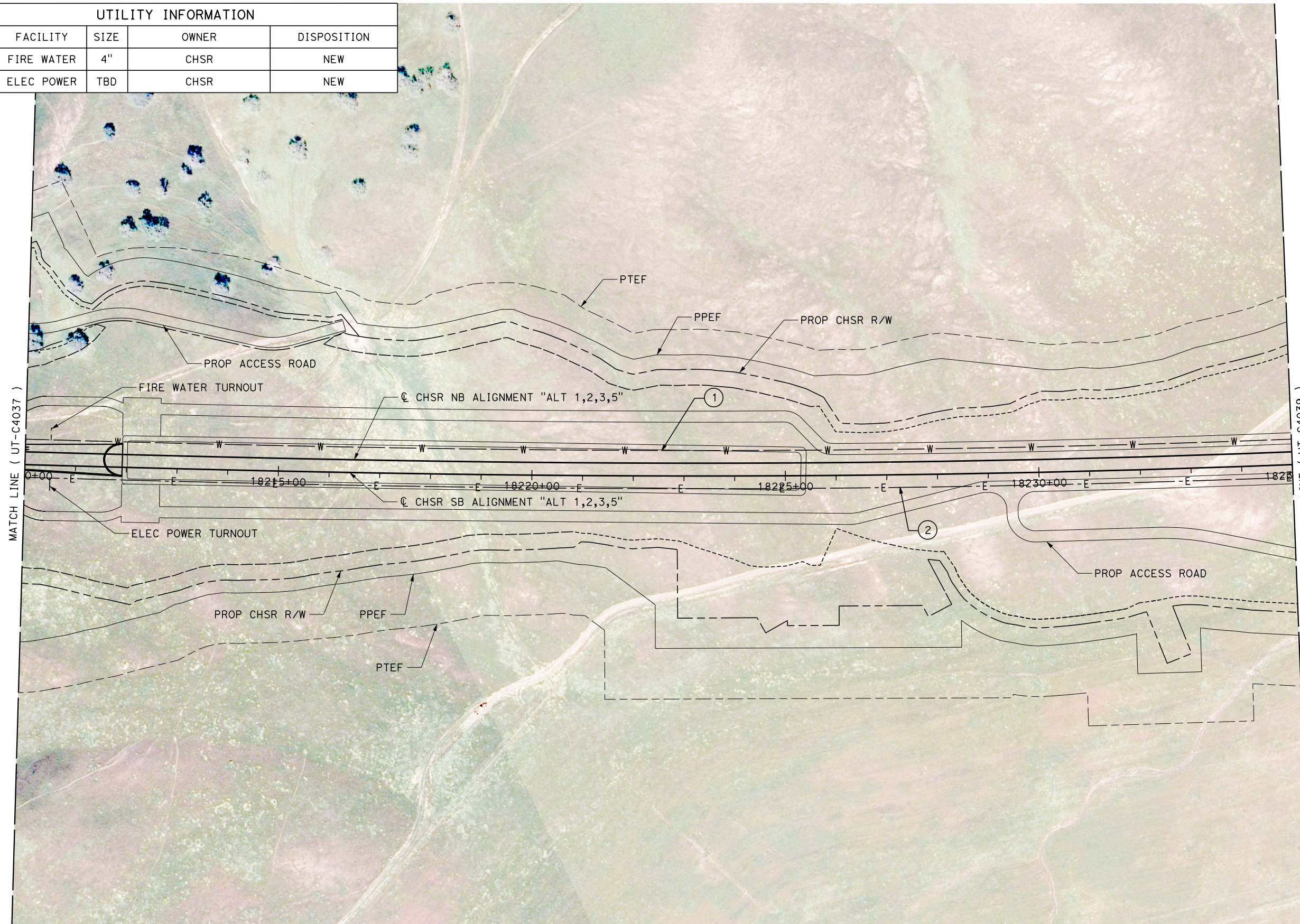
CONTRACT NO.
HSR13-44

DRAWING NO.
UT-C4037

SCALE
AS SHOWN

SHEET NO.
1157

UTILITY INFORMATION				
#	FACILITY	SIZE	OWNER	DISPOSITION
1	FIRE WATER	4"	CHSR	NEW
2	ELEC POWER	TBD	CHSR	NEW



Projects\701206.00_CHSRBP\00_CADD\Sheet Files\UT\AI\1_NBP-UT-C4038

1/23/2021 3:02:36 AM

ics_user_17609

REV	DATE	BY	CHK	APP	DESCRIPTION

DESIGNED BY
D. HOLMAN

DRAWN BY
J. LOPEZ

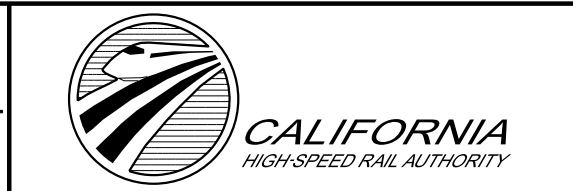
CHECKED BY
G. CAMPBELL

IN CHARGE
G. CAMPBELL

DATE
01/29/2021

RECORD SET
PEPD
SUBMITTAL

NOT FOR
CONSTRUCTION



CALIFORNIA HIGH-SPEED RAIL PROJECT
BAKERSFIELD TO PALMDALE

COMPOSITE UTILITY PLANS
ALTERNATIVE 1,2,3,5
STA 18210+00 TO 18235+00

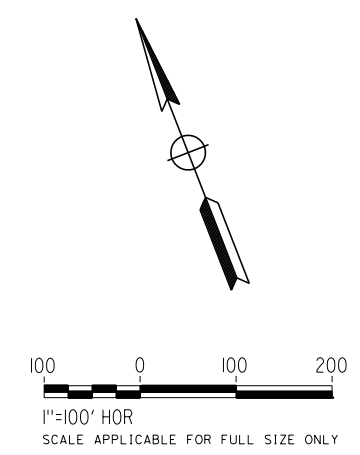
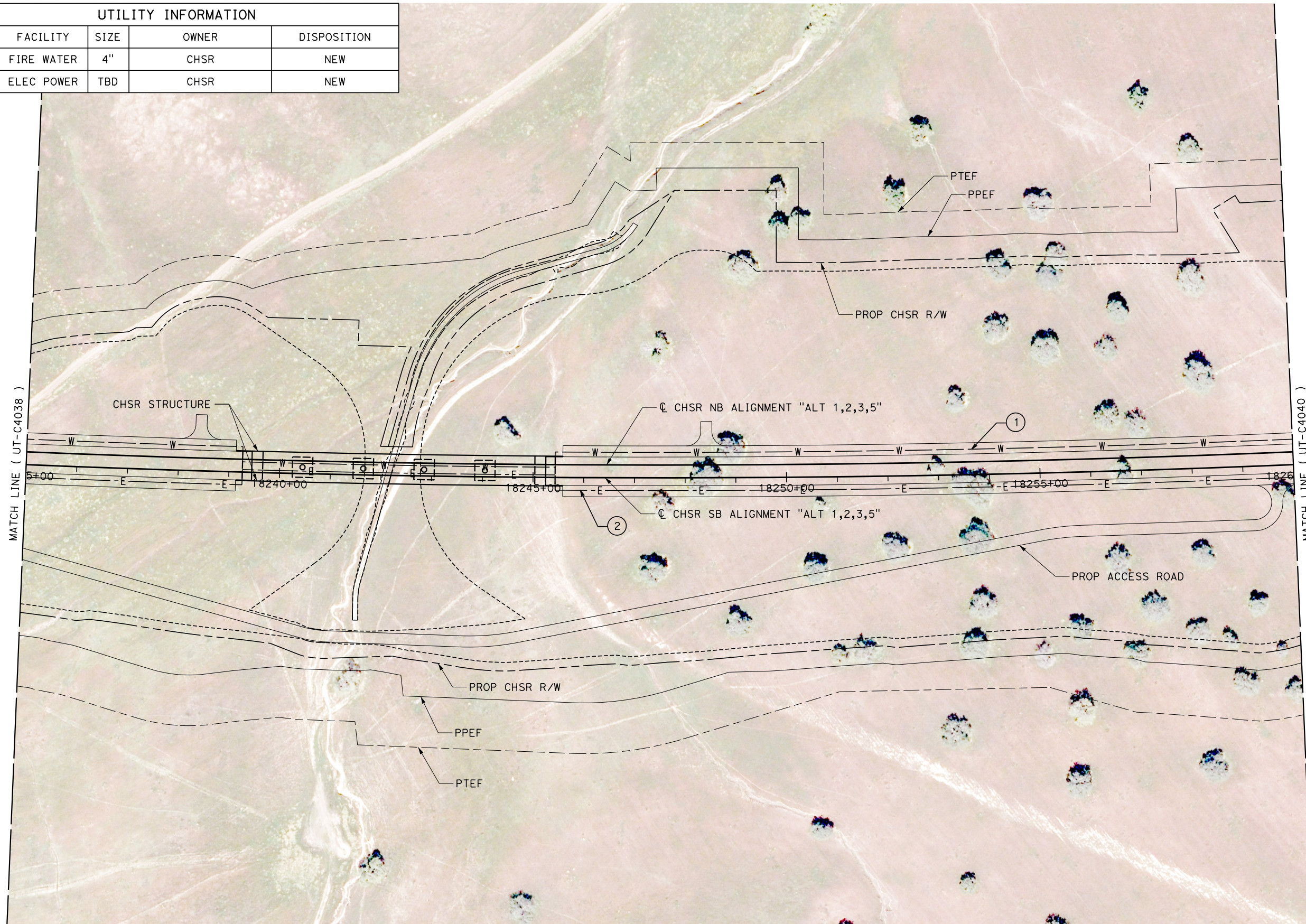
CONTRACT NO.
HSR13-44

DRAWING NO.
UT-C4038

SCALE
AS SHOWN

SHEET NO.
1158

UTILITY INFORMATION				
#	FACILITY	SIZE	OWNER	DISPOSITION
1	FIRE WATER	4"	CHSR	NEW
2	ELEC POWER	TBD	CHSR	NEW



Projects\701206.00_CHSRBP\00_CADD\Sheet_Files\UT\AI\1\BP-UT-C4039

1/23/2021 3:03:09 AM

ics_user_17609

REV	DATE	BY	CHK	APP	DESCRIPTION

DESIGNED BY
D. HOLMAN

DRAWN BY
J. LOPEZ

CHECKED BY
G. CAMPBELL

IN CHARGE
G. CAMPBELL

DATE
01/29/2021

**RECORD SET
PEPD
SUBMITTAL**

**NOT FOR
CONSTRUCTION**



**CALIFORNIA HIGH-SPEED RAIL PROJECT
BAKERSFIELD TO PALMDALE**

COMPOSITE UTILITY PLANS
ALTERNATIVE 1,2,3,5
STA 18235+00 TO 18260+00

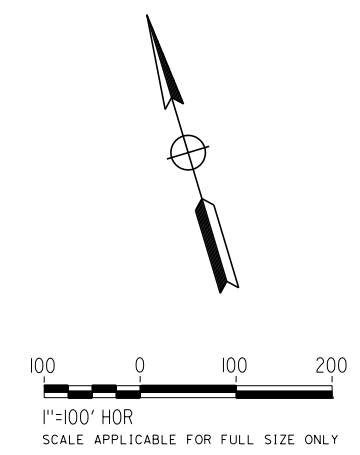
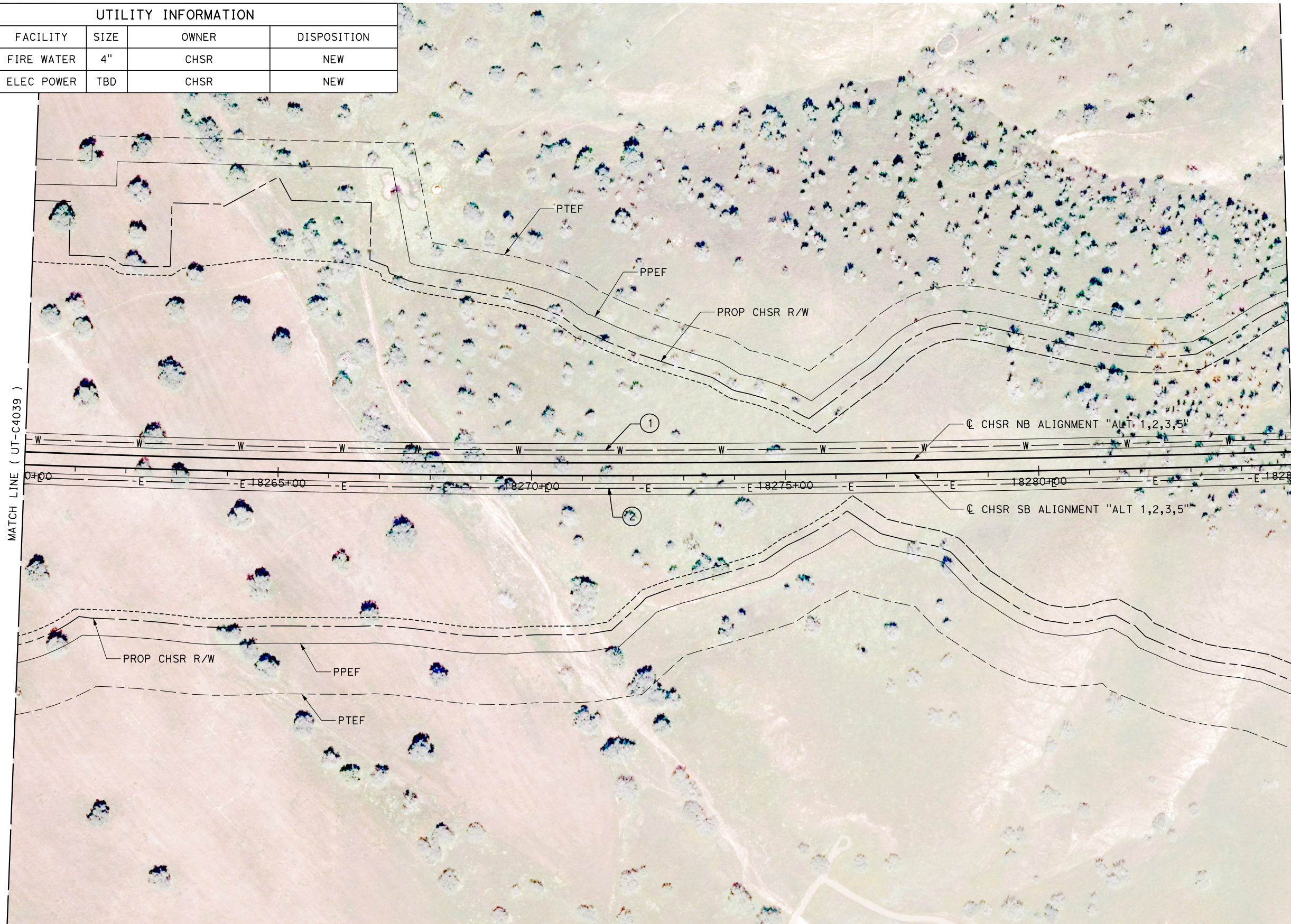
CONTRACT NO.
HSR13-44

DRAWING NO.
UT-C4039

SCALE
AS SHOWN

SHEET NO.
1159

UTILITY INFORMATION				
#	FACILITY	SIZE	OWNER	DISPOSITION
1	FIRE WATER	4"	CHSR	NEW
2	ELEC POWER	TBD	CHSR	NEW



1/23/2021 3:03:53 AM
 Projects\701206.00_CHSRBP\00_CADD\Sheet_Files\UT\A1\1_NBP-UT-C4040
 _ics_user_17609

REV	DATE	BY	CHK	APP	DESCRIPTION

DESIGNED BY
D. HOLMAN
 DRAWN BY
J. LOPEZ
 CHECKED BY
G. CAMPBELL
 IN CHARGE
G. CAMPBELL
 DATE
01/29/2021

RECORD SET
PEPD
SUBMITTAL

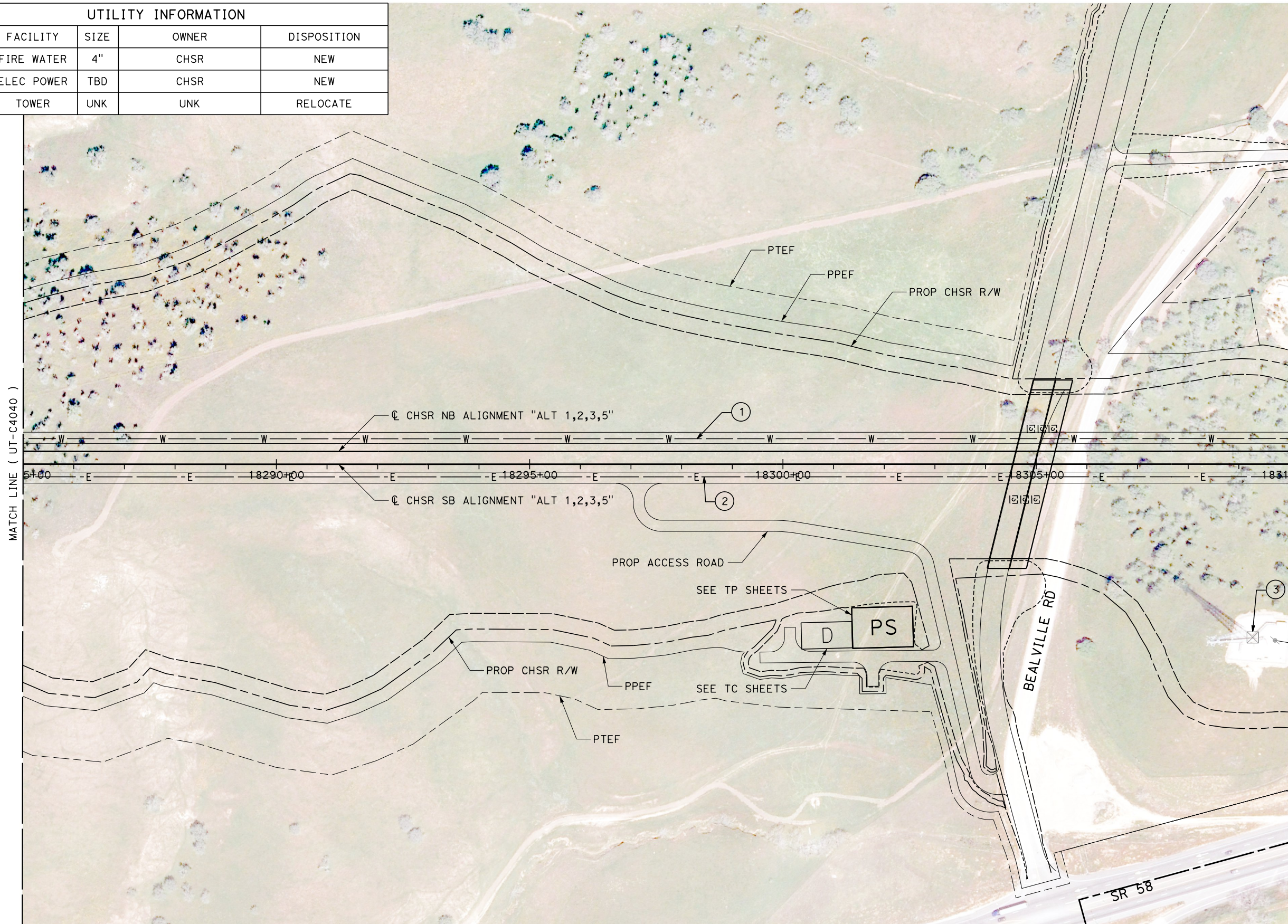
NOT FOR
CONSTRUCTION



CALIFORNIA HIGH-SPEED RAIL PROJECT
BAKERSFIELD TO PALMDALE
 COMPOSITE UTILITY PLANS
 ALTERNATIVE 1,2,3,5
 STA 18260+00 TO 18285+00

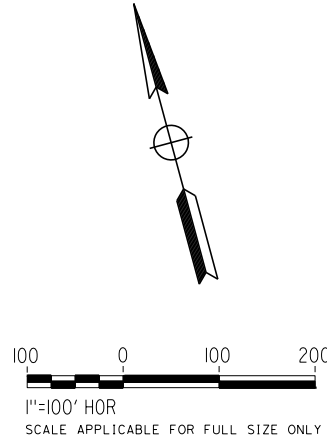
CONTRACT NO.
HSR13-44
 DRAWING NO.
UT-C4040
 SCALE
AS SHOWN
 SHEET NO.
1160

UTILITY INFORMATION				
#	FACILITY	SIZE	OWNER	DISPOSITION
1	FIRE WATER	4"	CHSR	NEW
2	ELEC POWER	TBD	CHSR	NEW
3	TOWER	UNK	UNK	RELOCATE



MATCH LINE (UT-C4040)

MATCH LINE (UT-C4042)



1/23/2021 3:03:43 AM Projects\701206.00_CHSRBP\00_CADD\Sheet_Files\UT\AI\1\BP-UT-C4041

REV	DATE	BY	CHK	APP	DESCRIPTION

DESIGNED BY
D. HOLMAN
DRAWN BY
J. LOPEZ
CHECKED BY
G. CAMPBELL
IN CHARGE
G. CAMPBELL
DATE
01/29/2021

RECORD SET
PEPD
SUBMITTAL

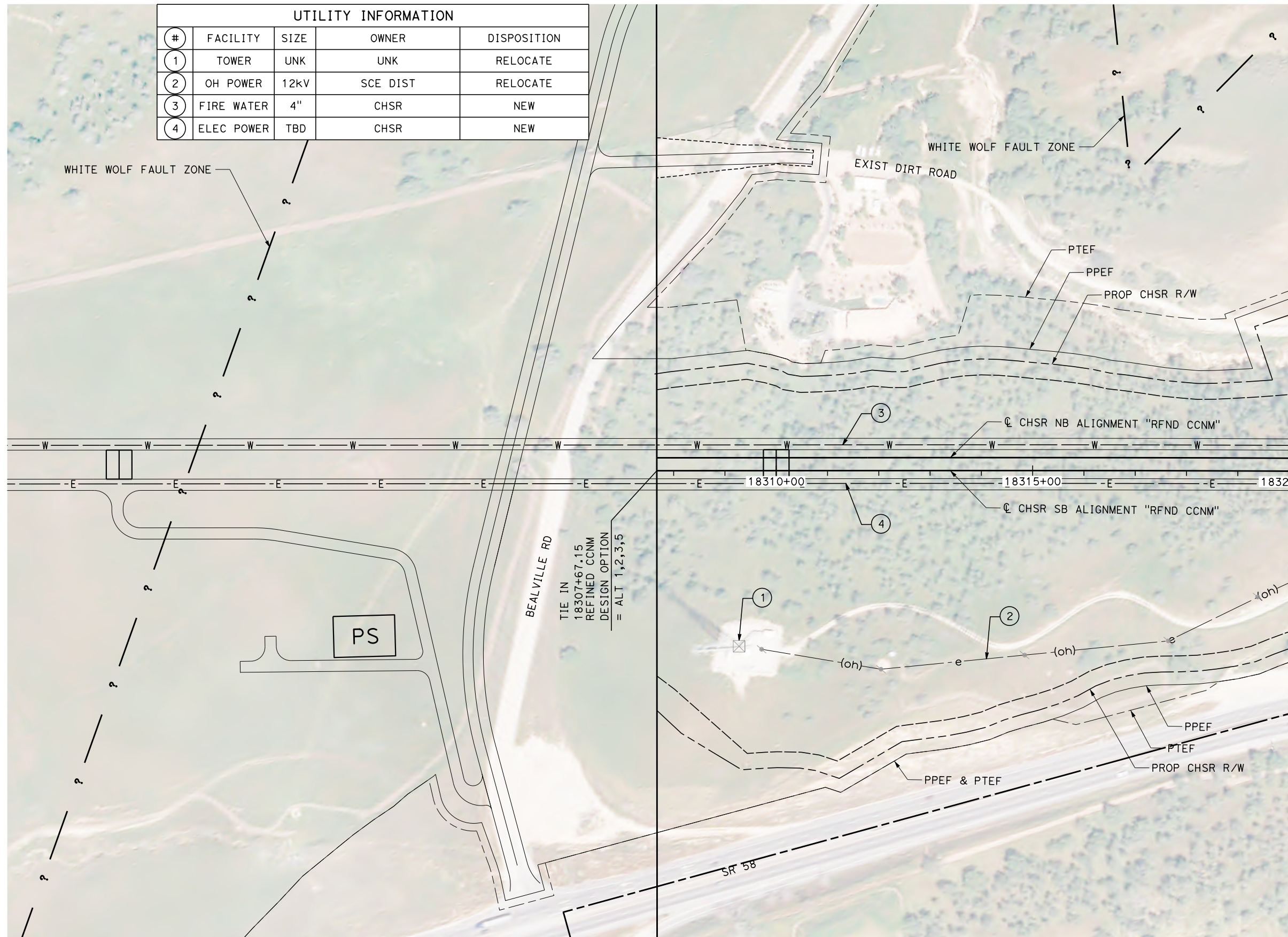
NOT FOR
CONSTRUCTION



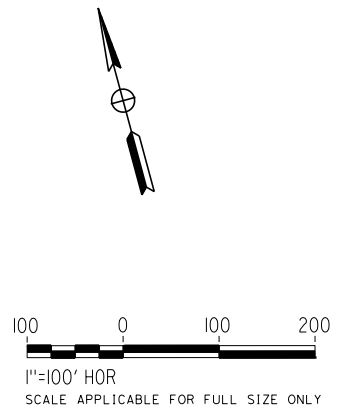
CALIFORNIA HIGH-SPEED RAIL PROJECT
BAKERSFIELD TO PALMDALE
COMPOSITE UTILITY PLANS
ALTERNATIVE 1,2,3,5
STA 18285+00 TO 18310+00

CONTRACT NO.
HSR13-44
DRAWING NO.
UT-C4041
SCALE
AS SHOWN
SHEET NO.
1161

UTILITY INFORMATION				
#	FACILITY	SIZE	OWNER	DISPOSITION
1	TOWER	UNK	UNK	RELOCATE
2	OH POWER	12kV	SCE DIST	RELOCATE
3	FIRE WATER	4"	CHSR	NEW
4	ELEC POWER	TBD	CHSR	NEW



MATCH LINE (UT-C4702)

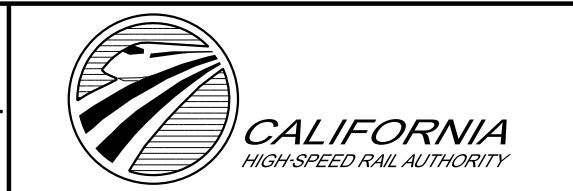


REV	DATE	BY	CHK	APP	DESCRIPTION

DESIGNED BY
D. HOLMAN
DRAWN BY
J. LOPEZ
CHECKED BY
G. CAMPBELL
IN CHARGE
G. CAMPBELL
DATE
01/29/2021

RECORD SET
PEPD
SUBMITTAL

NOT FOR
CONSTRUCTION



CALIFORNIA HIGH-SPEED RAIL PROJECT
BAKERSFIELD TO PALMDALE
REFINED CCNM DESIGN OPTION
COMPOSITE UTILITY PLAN
STA 18307+67 TO 18320+00
PLAN

CONTRACT NO.
HSR13-44
DRAWING NO.
UT-C4701
SCALE
AS SHOWN
SHEET NO.
1162

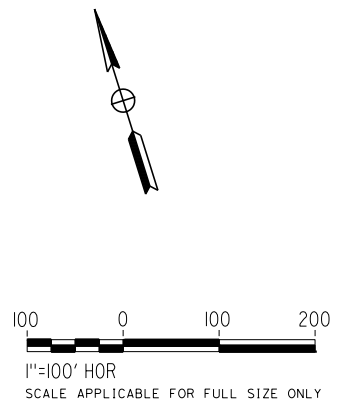
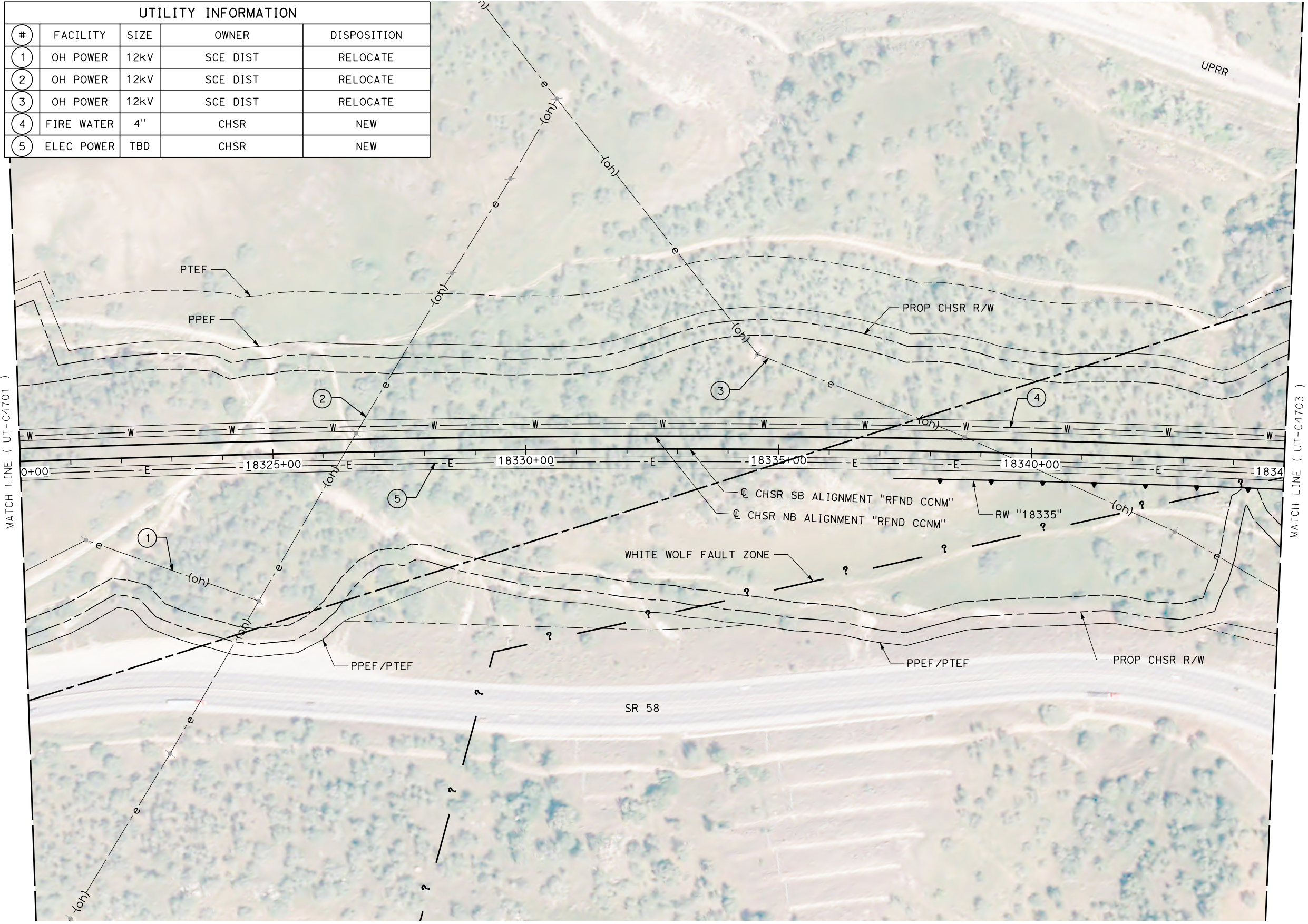
Projects\701206.00_CHSRBP\00_CADD\CCNM Option D\Sheets\UT\BP-UT-C4702

6:29:16 AM

1/20/2021

ics_user_17609

UTILITY INFORMATION				
#	FACILITY	SIZE	OWNER	DISPOSITION
1	OH POWER	12KV	SCE DIST	RELOCATE
2	OH POWER	12KV	SCE DIST	RELOCATE
3	OH POWER	12KV	SCE DIST	RELOCATE
4	FIRE WATER	4"	CHSR	NEW
5	ELEC POWER	TBD	CHSR	NEW



REV	DATE	BY	CHK	APP	DESCRIPTION

DESIGNED BY
D. HOLMAN
DRAWN BY
J. LOPEZ
CHECKED BY
G. CAMPBELL
IN CHARGE
G. CAMPBELL
DATE
01/29/2021

**RECORD SET
PEPD
SUBMITTAL**

**NOT FOR
CONSTRUCTION**



**CALIFORNIA HIGH-SPEED RAIL PROJECT
BAKERSFIELD TO PALMDALE**
REFINED CCNM DESIGN OPTION
COMPOSITE UTILITY PLAN
STA 18320+00 TO 18345+00
PLAN

CONTRACT NO.
HSR13-44
DRAWING NO.
UT-C4702
SCALE
AS SHOWN
SHEET NO.
1163

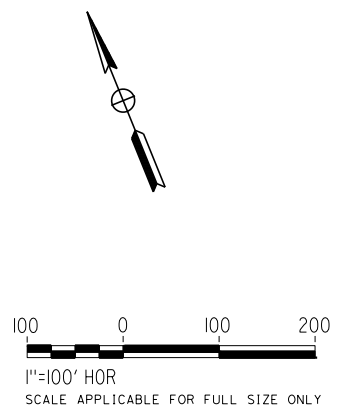
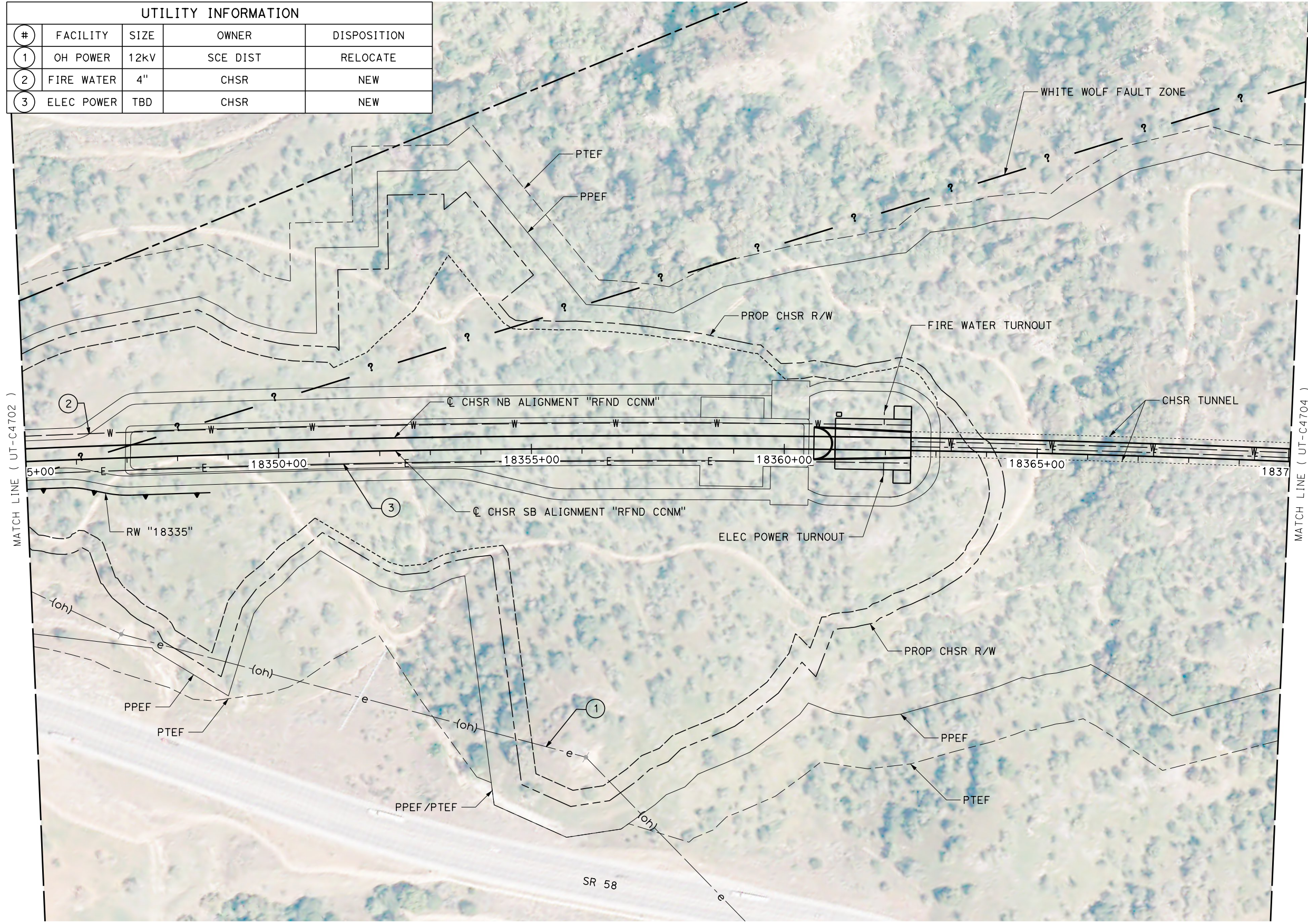
Projects\701206_00_CHSRBP\00_CADD\CCNM Option D\Sheets\UT\BP-UT-C4703

6:30:26 AM

1/20/2021

jcs_user_17609

UTILITY INFORMATION				
#	FACILITY	SIZE	OWNER	DISPOSITION
1	OH POWER	12kV	SCE DIST	RELOCATE
2	FIRE WATER	4"	CHSR	NEW
3	ELEC POWER	TBD	CHSR	NEW



REV	DATE	BY	CHK	APP	DESCRIPTION

DESIGNED BY
D. HOLMAN
DRAWN BY
J. LOPEZ
CHECKED BY
G. CAMPBELL
IN CHARGE
G. CAMPBELL
DATE
01/29/2021

**RECORD SET
PEPD
SUBMITTAL**

**NOT FOR
CONSTRUCTION**



**CALIFORNIA HIGH-SPEED RAIL PROJECT
BAKERSFIELD TO PALMDALE**

REFINED CCNM DESIGN OPTION
COMPOSITE UTILITY PLAN
STA 18345+00 TO 18370+00
PLAN

CONTRACT NO.
HSR13-44

DRAWING NO.
UT-C4703

SCALE
AS SHOWN

SHEET NO.
1164

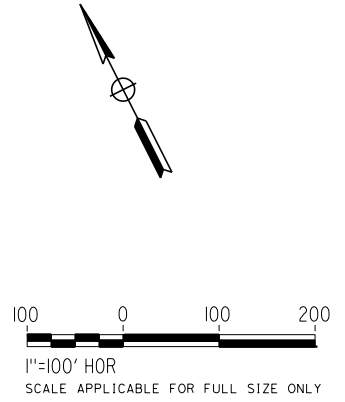
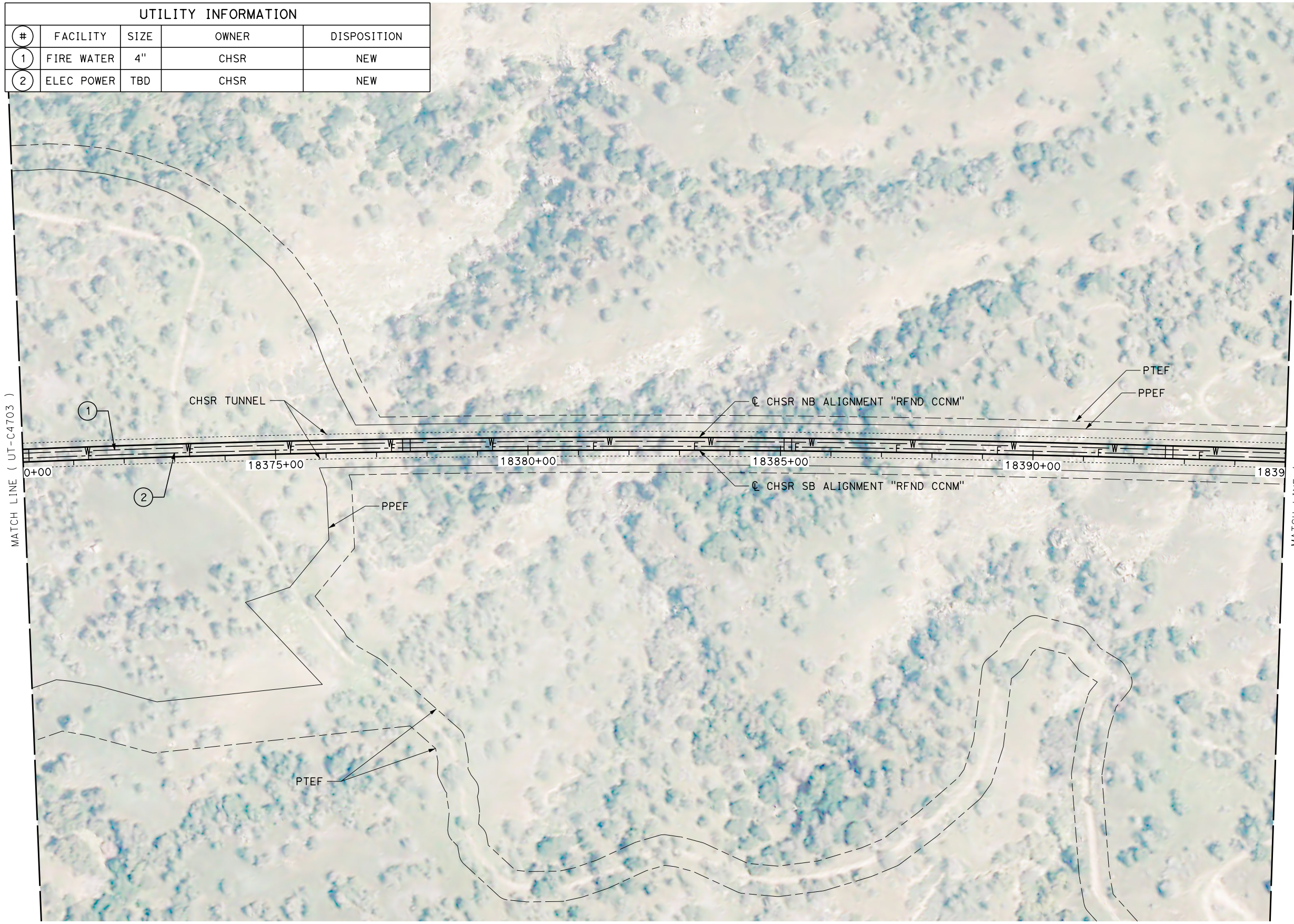
Projects\701206_00_CHSRBP\00_CADD\CCNM Option D\Sheets\UT\BP-UT-C4704

6:34:55 AM

1/20/2021

jcs_user_17609

UTILITY INFORMATION				
#	FACILITY	SIZE	OWNER	DISPOSITION
1	FIRE WATER	4"	CHSR	NEW
2	ELEC POWER	TBD	CHSR	NEW



REV	DATE	BY	CHK	APP	DESCRIPTION

DESIGNED BY
D. HOLMAN
DRAWN BY
J. LOPEZ
CHECKED BY
G. CAMPBELL
IN CHARGE
G. CAMPBELL
DATE
01/29/2021

**RECORD SET
PEPD
SUBMITTAL**

**NOT FOR
CONSTRUCTION**



**CALIFORNIA HIGH-SPEED RAIL PROJECT
BAKERSFIELD TO PALMDALE**

REFINED CCNM DESIGN OPTION
COMPOSITE UTILITY PLAN
STA 18370+00 TO 18395+00
PLAN

CONTRACT NO.
HSR13-44
DRAWING NO.
UT-C4704
SCALE
AS SHOWN
SHEET NO.
1165

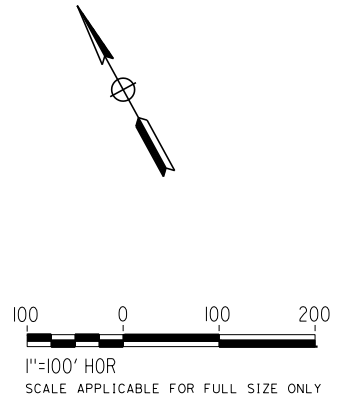
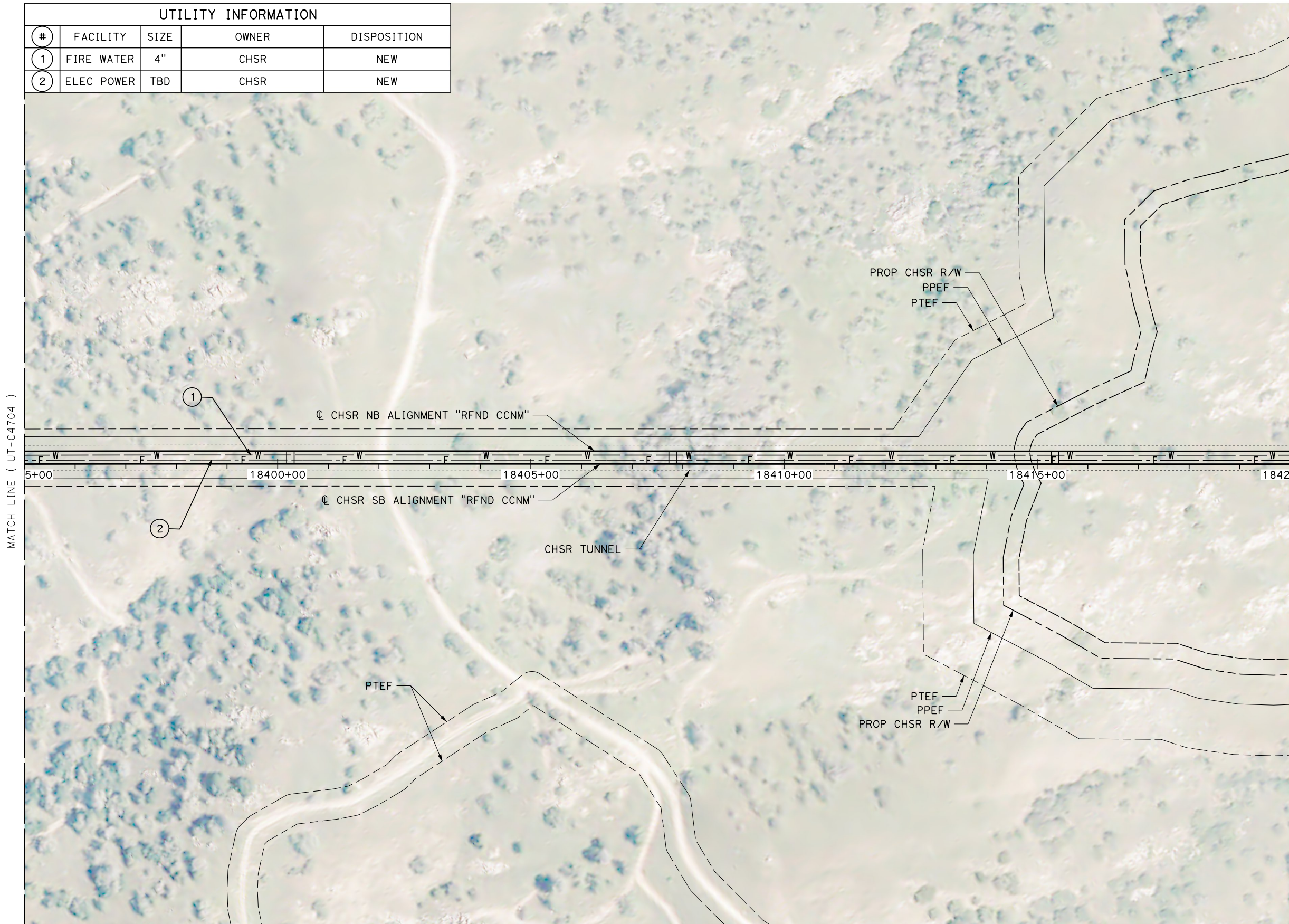
Projects\701206_00_CHSRBP\00_CADD\CCNM Option D\Sheets\UT\BP-UT-C4705

6:53:02 AM

1/20/2021

ics_user_17609

UTILITY INFORMATION				
#	FACILITY	SIZE	OWNER	DISPOSITION
1	FIRE WATER	4"	CHSR	NEW
2	ELEC POWER	TBD	CHSR	NEW



REV	DATE	BY	CHK	APP	DESCRIPTION

DESIGNED BY
D. HOLMAN
DRAWN BY
J. LOPEZ
CHECKED BY
G. CAMPBELL
IN CHARGE
G. CAMPBELL
DATE
01/29/2021

RECORD SET
PEPD
SUBMITTAL

NOT FOR
CONSTRUCTION



CALIFORNIA HIGH-SPEED RAIL PROJECT
BAKERSFIELD TO PALMDALE
REFINED CCNM DESIGN OPTION
COMPOSITE UTILITY PLAN
STA 18395+00 TO 18420+00
PLAN

CONTRACT NO.
HSR13-44
DRAWING NO.
UT-C4705
SCALE
AS SHOWN
SHEET NO.
1166

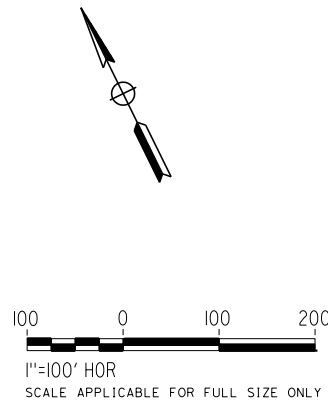
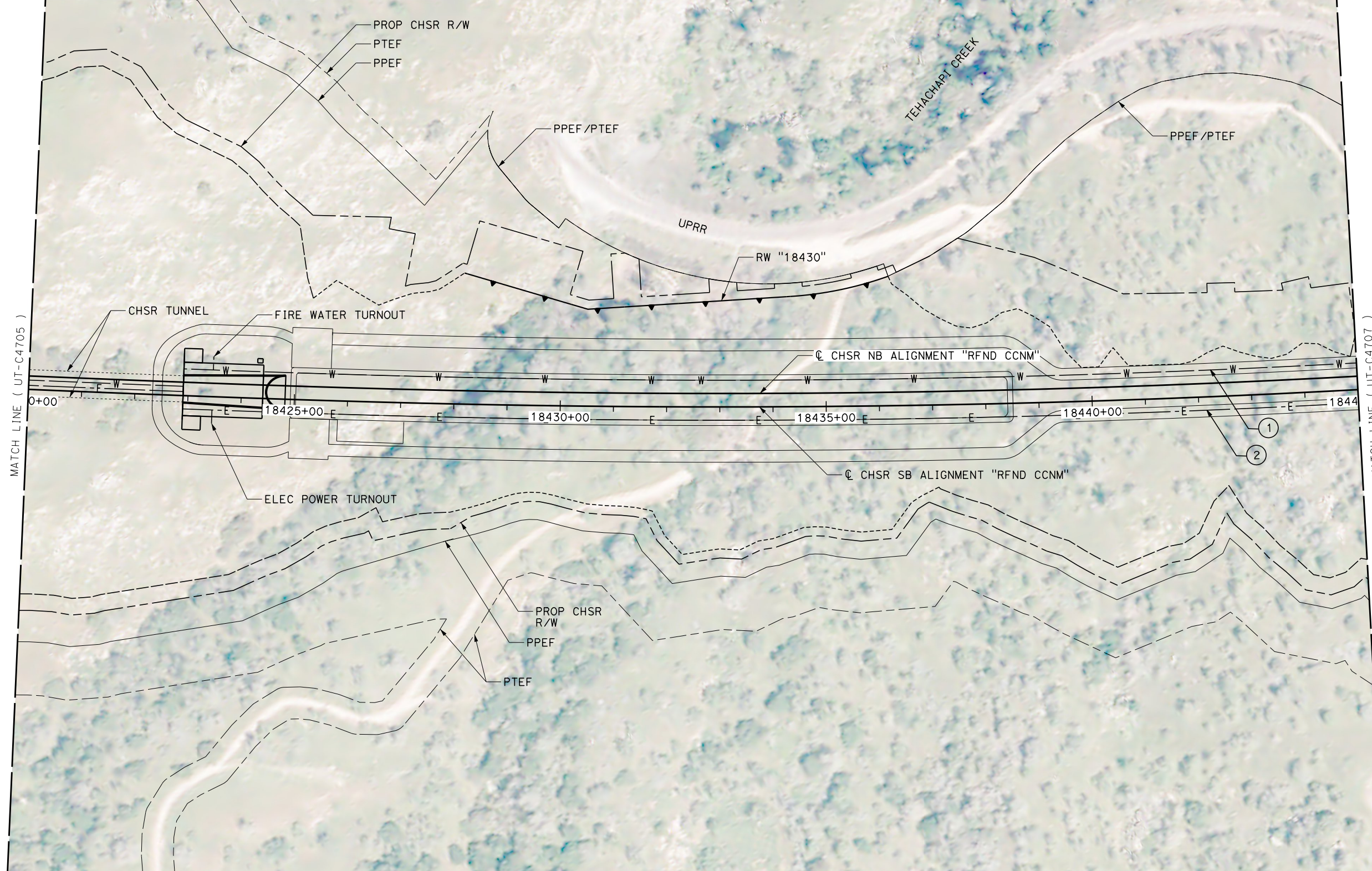
Projects\701206_00_CHSRBP\00_CADD\CCNM Option D\Sheets\UT\BP-UT-C4706

6:30:55 AM

1/20/2021

ics_user_17609

UTILITY INFORMATION				
#	FACILITY	SIZE	OWNER	DISPOSITION
1	FIRE WATER	4"	CHSR	NEW
2	ELEC POWER	TBD	CHSR	NEW



REV	DATE	BY	CHK	APP	DESCRIPTION

DESIGNED BY
D. HOLMAN
DRAWN BY
J. LOPEZ
CHECKED BY
G. CAMPBELL
IN CHARGE
G. CAMPBELL
DATE
01/29/2021

RECORD SET
PEPD
SUBMITTAL

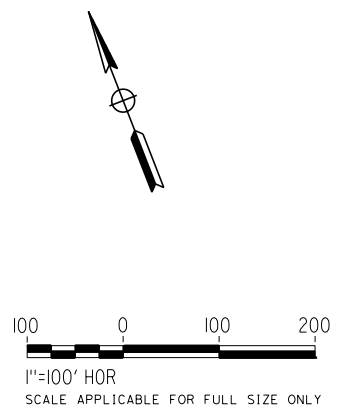
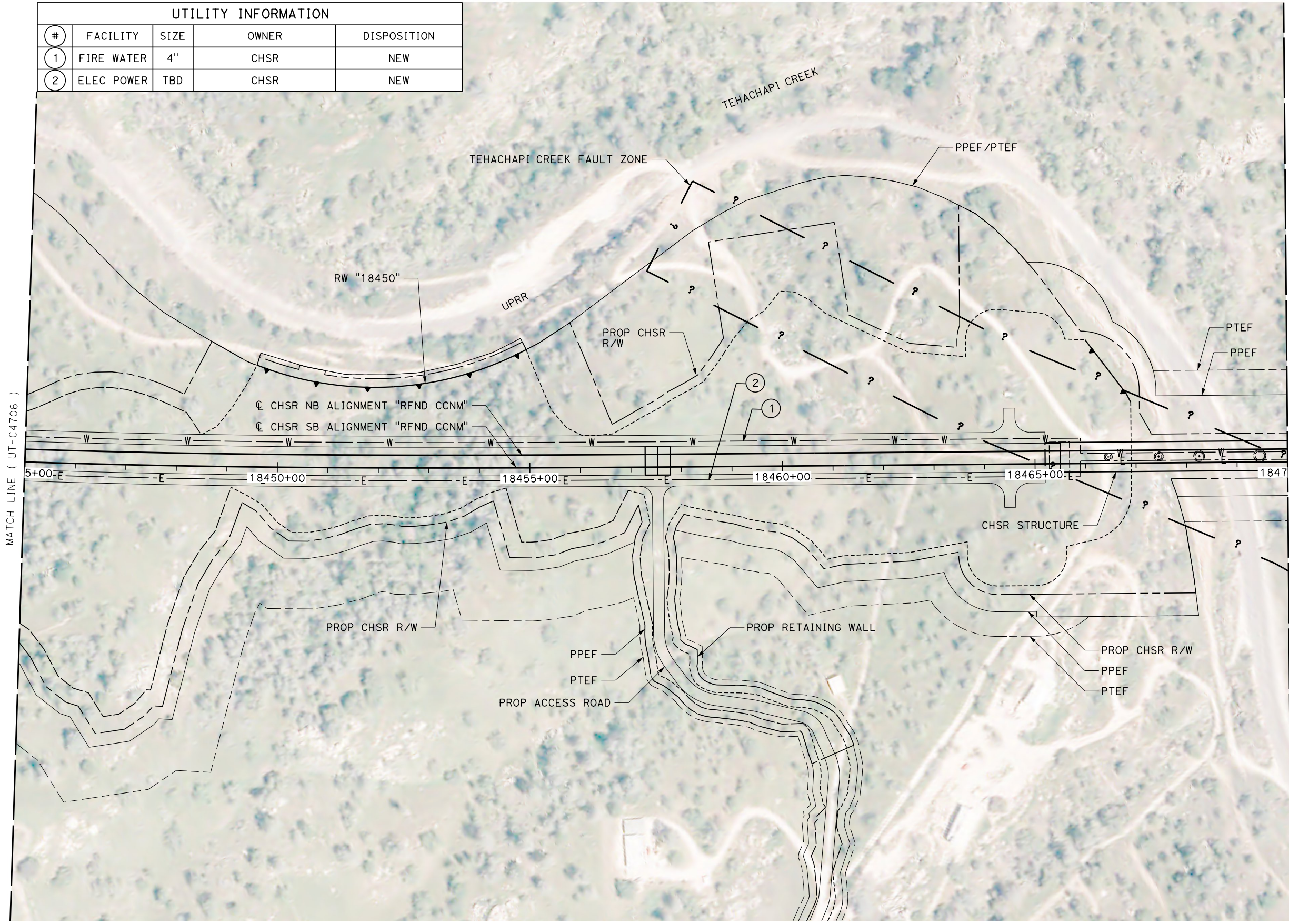
NOT FOR
CONSTRUCTION



CALIFORNIA HIGH-SPEED RAIL PROJECT
BAKERSFIELD TO PALMDALE
REFINED CCNM DESIGN OPTION
COMPOSITE UTILITY PLAN
STA 18420+00 TO 18445+00
PLAN

CONTRACT NO.
HSR13-44
DRAWING NO.
UT-C4706
SCALE
AS SHOWN
SHEET NO.
1167

UTILITY INFORMATION				
#	FACILITY	SIZE	OWNER	DISPOSITION
1	FIRE WATER	4"	CHSR	NEW
2	ELEC POWER	TBD	CHSR	NEW



Projects\701206_00_CHSRBP\00_CADD\CCNM Option D\Sheets\UT\BP-UT-C4707

6:34:57 AM

1/20/2021

jcs_user_17609

REV	DATE	BY	CHK	APP	DESCRIPTION

DESIGNED BY
D. HOLMAN
DRAWN BY
J. LOPEZ
CHECKED BY
G. CAMPBELL
IN CHARGE
G. CAMPBELL
DATE
01/29/2021

RECORD SET
PEPD
SUBMITTAL

NOT FOR
CONSTRUCTION



CALIFORNIA HIGH-SPEED RAIL PROJECT
BAKERSFIELD TO PALMDALE
REFINED CCNM DESIGN OPTION
COMPOSITE UTILITY PLAN
STA 18445+00 TO 18470+00
PLAN

CONTRACT NO.
HSR13-44
DRAWING NO.
UT-C4707
SCALE
AS SHOWN
SHEET NO.
1168

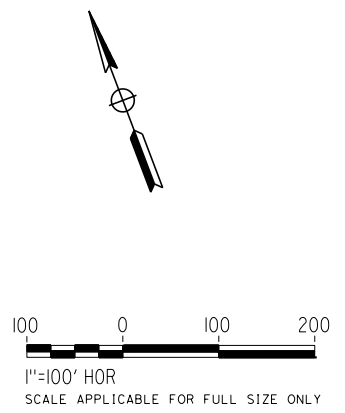
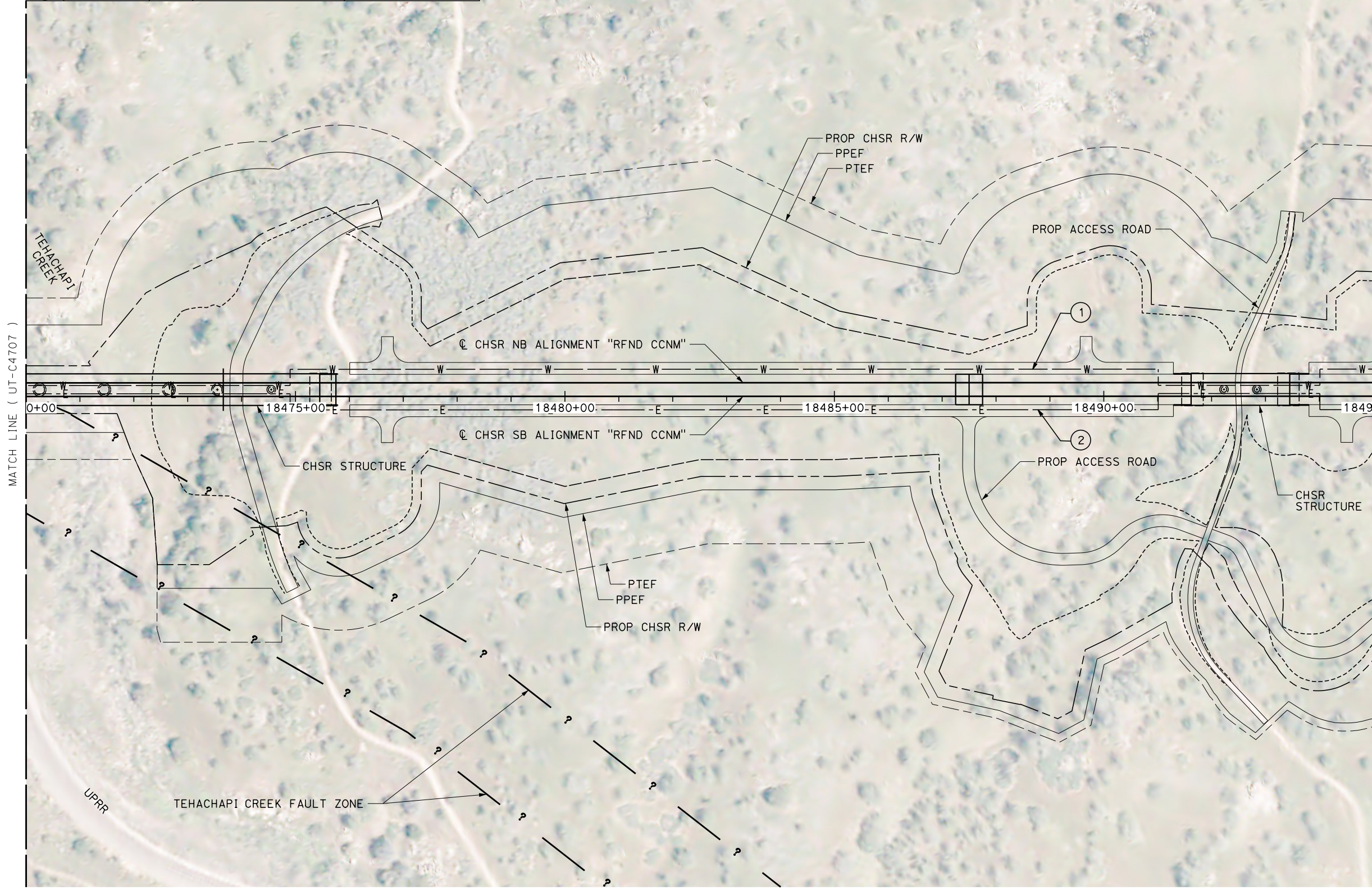
Projects\701206_00_CHSRBP\00_CADD\CCNM Option D\Sheets\UT\BP-UT-C4708

6:16:35 AM

1/20/2021

ics_user_17609

UTILITY INFORMATION				
#	FACILITY	SIZE	OWNER	DISPOSITION
1	FIRE WATER	4"	CHSR	NEW
2	ELEC POWER	TBD	CHSR	NEW



REV	DATE	BY	CHK	APP	DESCRIPTION

DESIGNED BY
D. HOLMAN
DRAWN BY
J. LOPEZ
CHECKED BY
G. CAMPBELL
IN CHARGE
G. CAMPBELL
DATE
01/29/2021

**RECORD SET
PEPD
SUBMITTAL**

**NOT FOR
CONSTRUCTION**



**CALIFORNIA HIGH-SPEED RAIL PROJECT
BAKERSFIELD TO PALMDALE**
REFINED CCNM DESIGN OPTION
COMPOSITE UTILITY PLAN
STA 18470+00 TO 18495+00
PLAN

CONTRACT NO.
HSR13-44
DRAWING NO.
UT-C4708
SCALE
AS SHOWN
SHEET NO.
1169

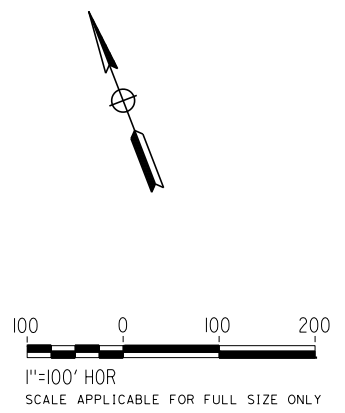
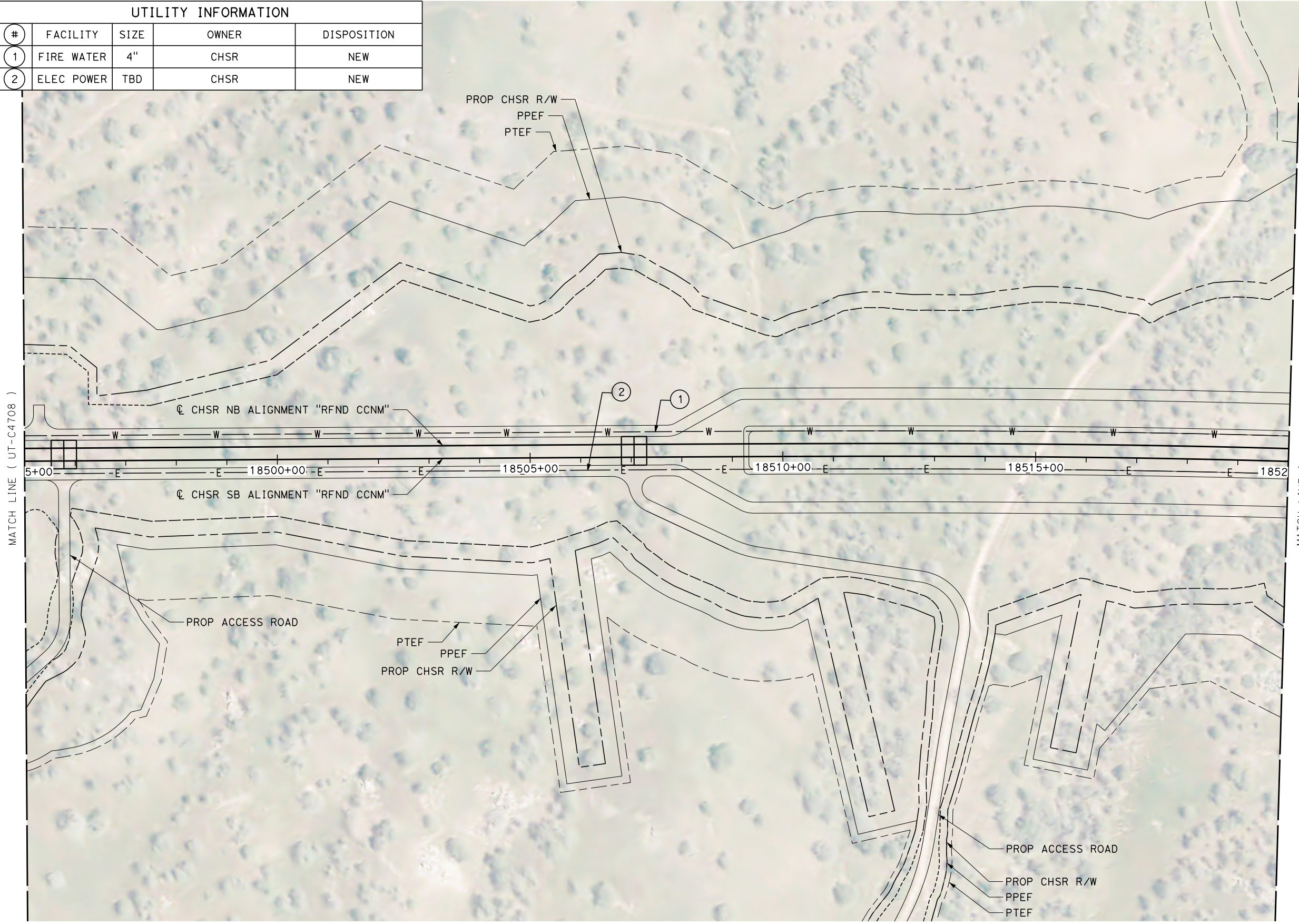
Projects\701206_00_CHSRBP\00_CADD\CCNM Option D\Sheets\UT\BP-UT-C4709

6:35:24 AM

1/20/2021

ics_user_17609

UTILITY INFORMATION				
#	FACILITY	SIZE	OWNER	DISPOSITION
1	FIRE WATER	4"	CHSR	NEW
2	ELEC POWER	TBD	CHSR	NEW



REV	DATE	BY	CHK	APP	DESCRIPTION

DESIGNED BY
D. HOLMAN
DRAWN BY
J. LOPEZ
CHECKED BY
G. CAMPBELL
IN CHARGE
G. CAMPBELL
DATE
01/29/2021

**RECORD SET
PEPD
SUBMITTAL**

**NOT FOR
CONSTRUCTION**



**CALIFORNIA HIGH-SPEED RAIL PROJECT
BAKERSFIELD TO PALMDALE**
REFINED CCNM DESIGN OPTION
COMPOSITE UTILITY PLAN
STA 18495+00 TO 18520+00
PLAN

CONTRACT NO.
HSR13-44
DRAWING NO.
UT-C4709
SCALE
AS SHOWN
SHEET NO.
1170

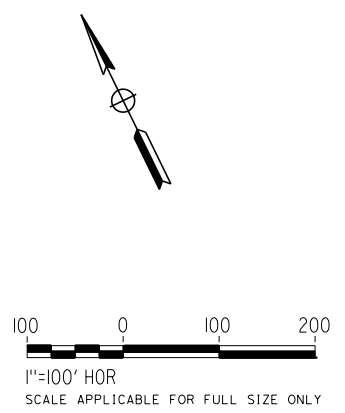
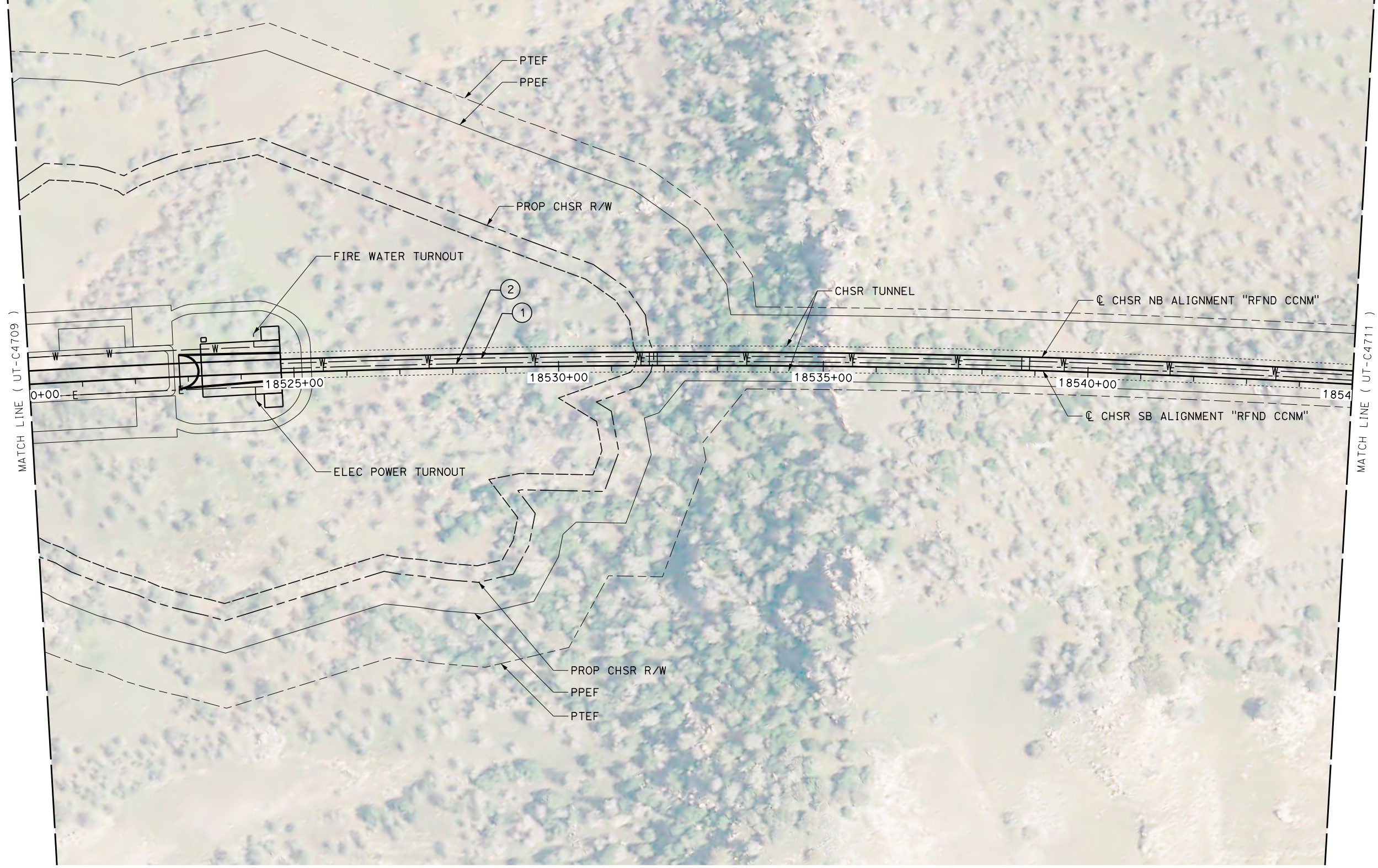
Projects\701206_00_CHSRBP\00_CADD\CCNM Option D\Sheets\UT\BP-UT-C4710

6:30:19 AM

1/20/2021

ics_user_17609

UTILITY INFORMATION				
#	FACILITY	SIZE	OWNER	DISPOSITION
1	FIRE WATER	4"	CHSR	NEW
2	ELEC POWER	TBD	CHSR	NEW



REV	DATE	BY	CHK	APP	DESCRIPTION

DESIGNED BY
D. HOLMAN
DRAWN BY
J. LOPEZ
CHECKED BY
G. CAMPBELL
IN CHARGE
G. CAMPBELL
DATE
01/29/2021

**RECORD SET
PEPD
SUBMITTAL**

**NOT FOR
CONSTRUCTION**



**CALIFORNIA HIGH-SPEED RAIL PROJECT
BAKERSFIELD TO PALMDALE**

REFINED CCNM DESIGN OPTION
COMPOSITE UTILITY PLAN
STA 18520+00 TO 18545+00
PLAN

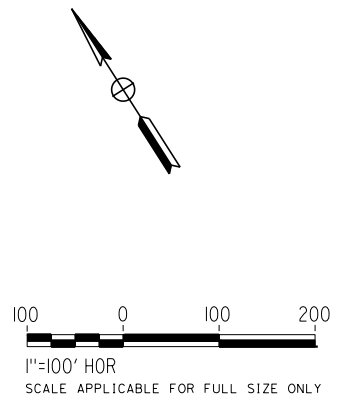
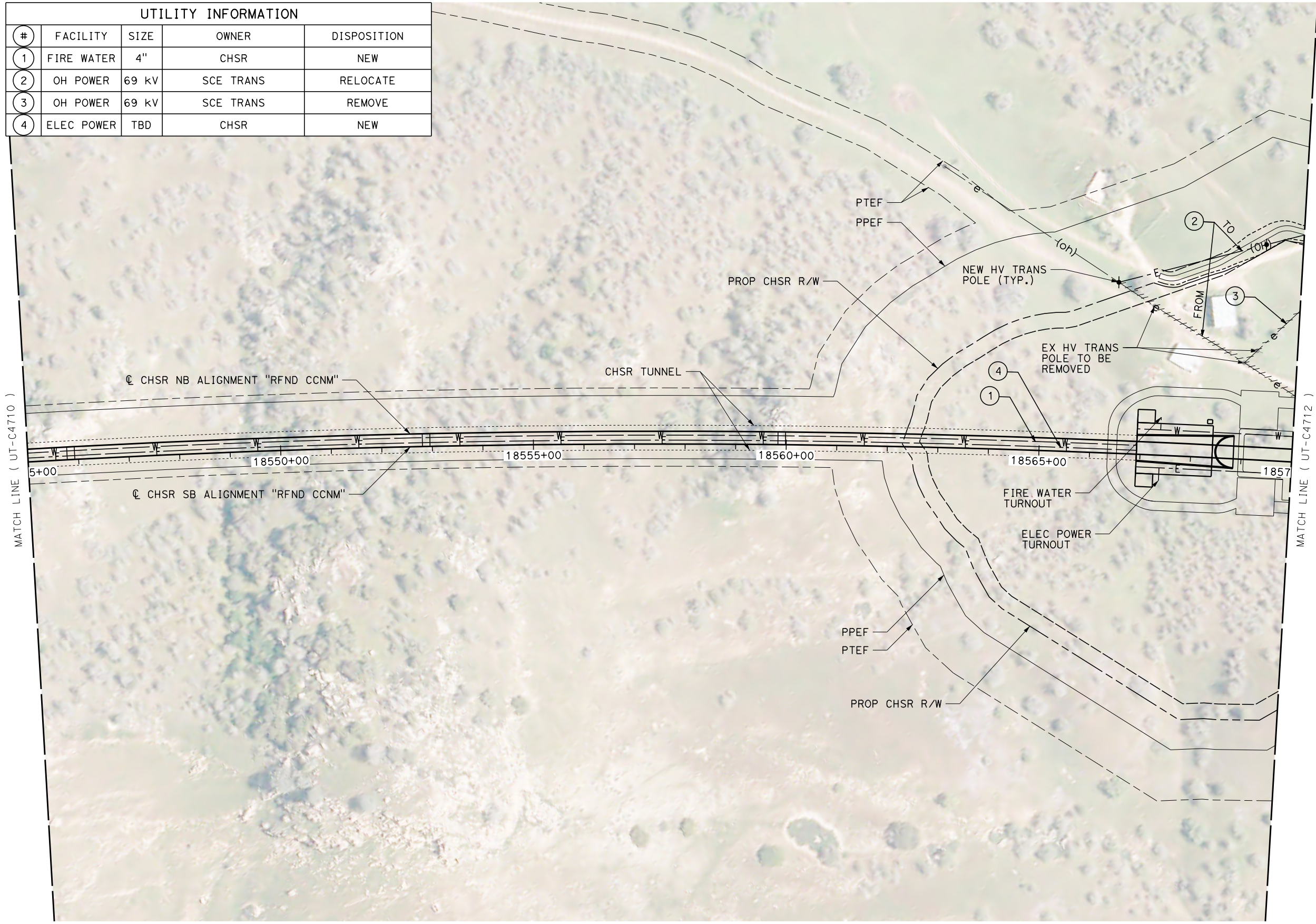
CONTRACT NO.
HSR13-44

DRAWING NO.
UT-C4710

SCALE
AS SHOWN

SHEET NO.
1171

UTILITY INFORMATION				
#	FACILITY	SIZE	OWNER	DISPOSITION
1	FIRE WATER	4"	CHSR	NEW
2	OH POWER	69 kV	SCE TRANS	RELOCATE
3	OH POWER	69 kV	SCE TRANS	REMOVE
4	ELEC POWER	TBD	CHSR	NEW



REV	DATE	BY	CHK	APP	DESCRIPTION

DESIGNED BY
D. HOLMAN
DRAWN BY
J. LOPEZ
CHECKED BY
G. CAMPBELL
IN CHARGE
G. CAMPBELL
DATE
01/29/2021

RECORD SET
PEPD
SUBMITTAL

NOT FOR
CONSTRUCTION



CALIFORNIA HIGH-SPEED RAIL PROJECT
BAKERSFIELD TO PALMDALE
REFINED CCNM DESIGN OPTION
COMPOSITE UTILITY PLAN
STA 18545+00 TO 18570+00
PLAN

CONTRACT NO.
HSR13-44
DRAWING NO.
UT-C4711
SCALE
AS SHOWN
SHEET NO.
1172

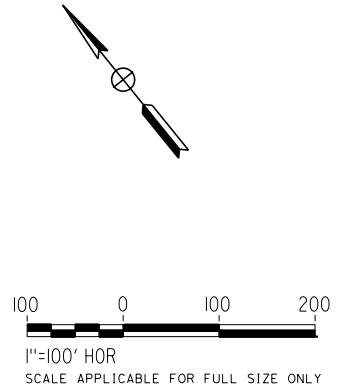
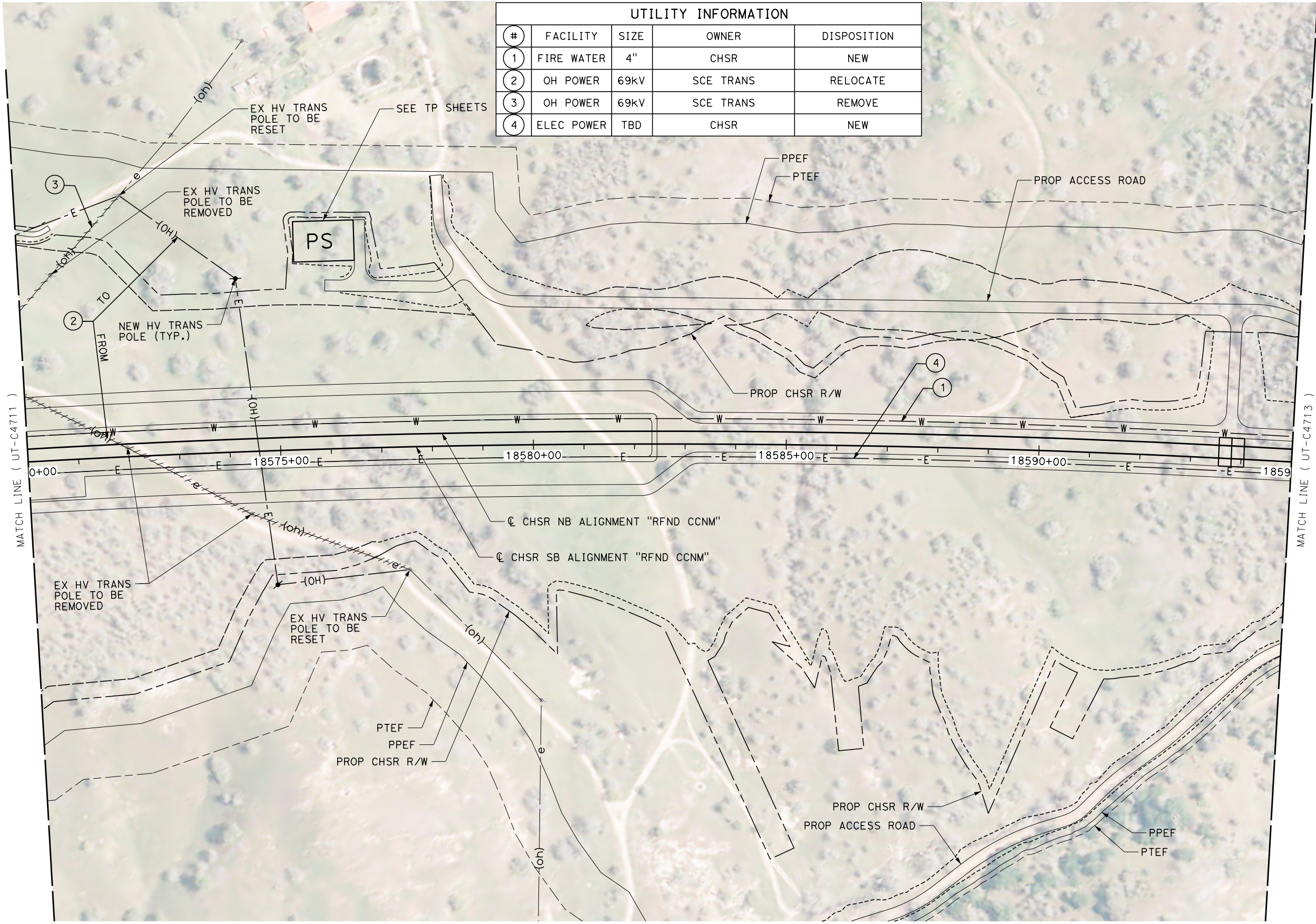
Projects\701206_00_CHSRBP\00_CADD\CCNM Option D\Sheets\UT\BP-UT-C4712

6:30:52 AM

1/20/2021

jcs_user_17609

UTILITY INFORMATION				
#	FACILITY	SIZE	OWNER	DISPOSITION
1	FIRE WATER	4"	CHSR	NEW
2	OH POWER	69kV	SCE TRANS	RELOCATE
3	OH POWER	69kV	SCE TRANS	REMOVE
4	ELEC POWER	TBD	CHSR	NEW

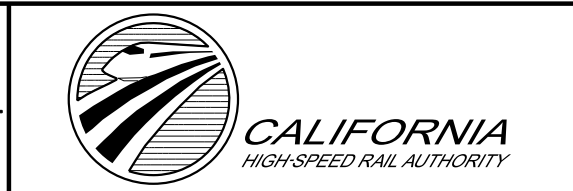


REV	DATE	BY	CHK	APP	DESCRIPTION

DESIGNED BY
D. HOLMAN
DRAWN BY
J. LOPEZ
CHECKED BY
G. CAMPBELL
IN CHARGE
G. CAMPBELL
DATE
01/29/2021

**RECORD SET
PEPD
SUBMITTAL**

**NOT FOR
CONSTRUCTION**

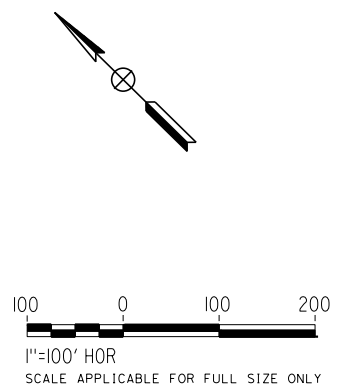
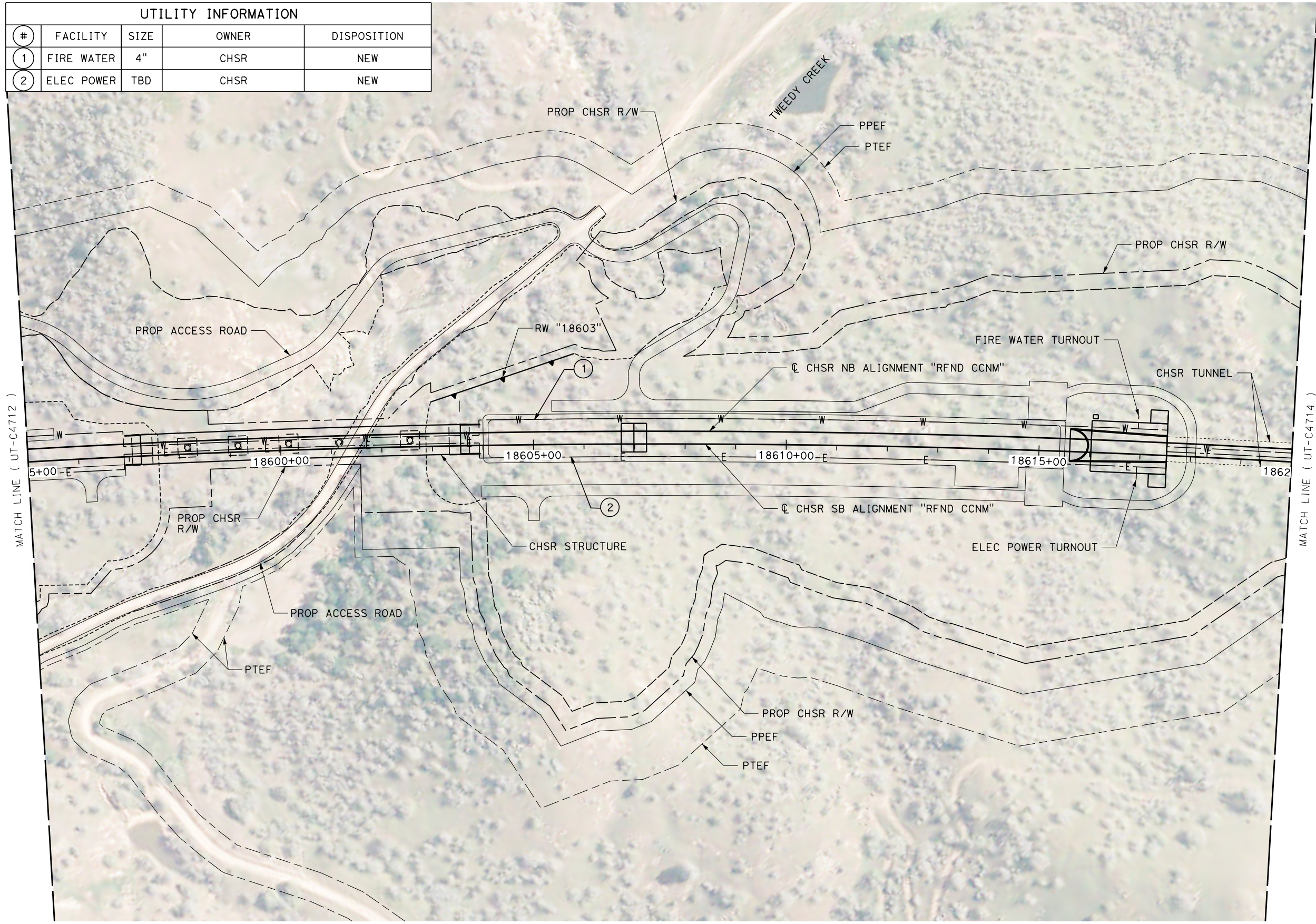


**CALIFORNIA HIGH-SPEED RAIL PROJECT
BAKERSFIELD TO PALMDALE**
REFINED CCNM DESIGN OPTION
COMPOSITE UTILITY PLAN
STA 18570+00 TO 18595+00
PLAN

CONTRACT NO.
HSR13-44
DRAWING NO.
UT-C4712
SCALE
AS SHOWN
SHEET NO.
1173

Projects\701206_00_CHSRBP\00_CADD\CCNM Option D\Sheets\UT\BP-UT-C4713
 1/20/2021 6:31:20 AM
 jcs_user_17609

UTILITY INFORMATION				
#	FACILITY	SIZE	OWNER	DISPOSITION
1	FIRE WATER	4"	CHSR	NEW
2	ELEC POWER	TBD	CHSR	NEW



REV	DATE	BY	CHK	APP	DESCRIPTION

DESIGNED BY
D. HOLMAN
 DRAWN BY
J. LOPEZ
 CHECKED BY
G. CAMPBELL
 IN CHARGE
G. CAMPBELL
 DATE
01/29/2021

RECORD SET
PEPD
SUBMITTAL

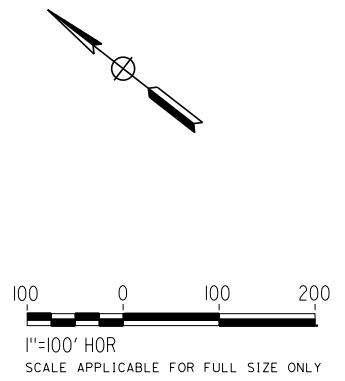
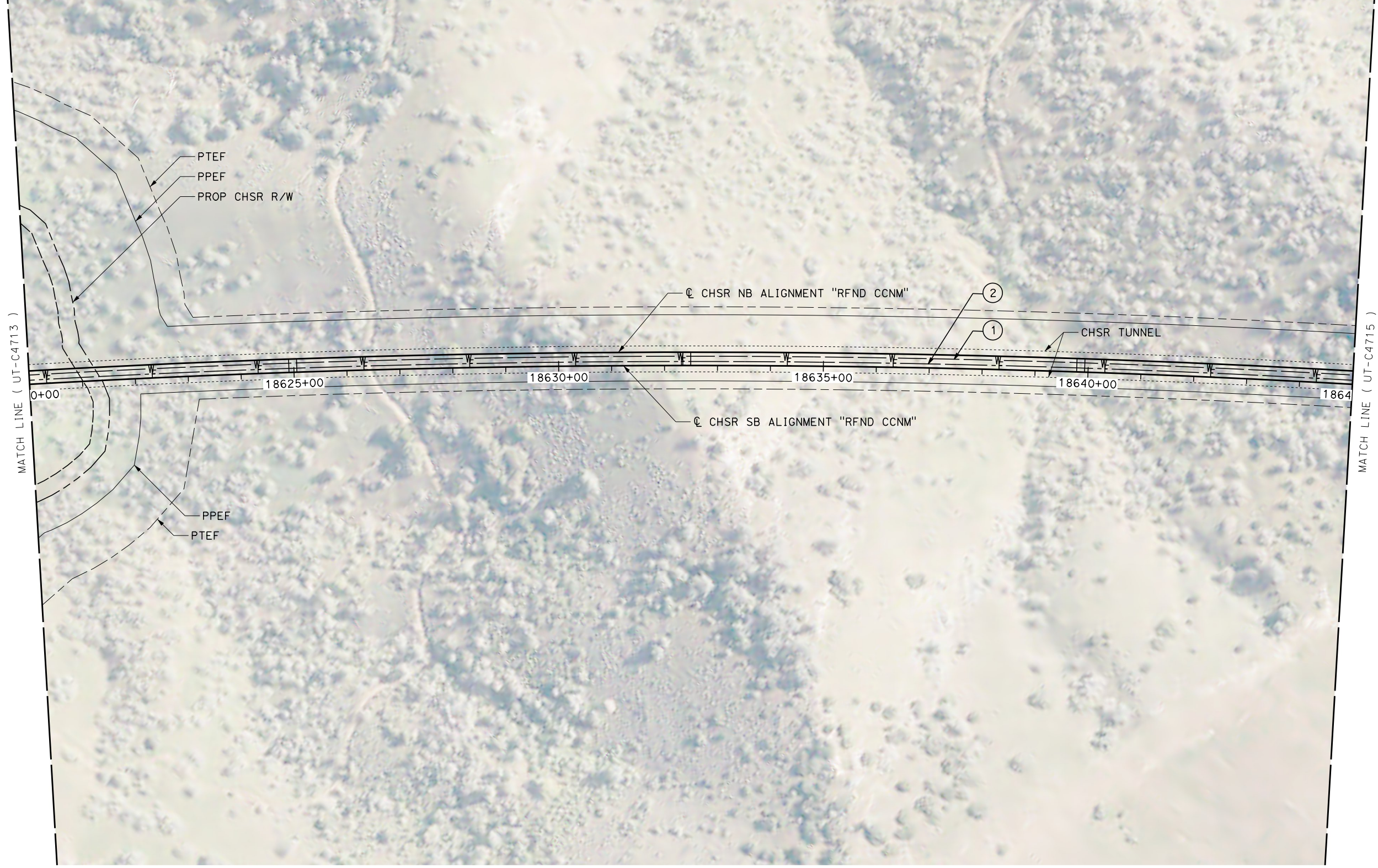
NOT FOR
CONSTRUCTION



CALIFORNIA HIGH-SPEED RAIL PROJECT
BAKERSFIELD TO PALMDALE
 REFINED CCNM DESIGN OPTION
 COMPOSITE UTILITY PLAN
 STA 18595+00 TO 18620+00
 PLAN

CONTRACT NO.
HSR13-44
 DRAWING NO.
UT-C4713
 SCALE
AS SHOWN
 SHEET NO.
1174

UTILITY INFORMATION				
#	FACILITY	SIZE	OWNER	DISPOSITION
1	FIRE WATER	4"	CHSR	NEW
2	ELEC POWER	TBD	CHSR	NEW



REV	DATE	BY	CHK	APP	DESCRIPTION

DESIGNED BY
D. HOLMAN
DRAWN BY
J. LOPEZ
CHECKED BY
G. CAMPBELL
IN CHARGE
G. CAMPBELL
DATE
01/29/2021

RECORD SET
PEPD
SUBMITTAL

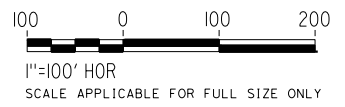
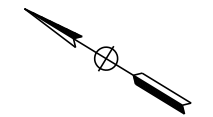
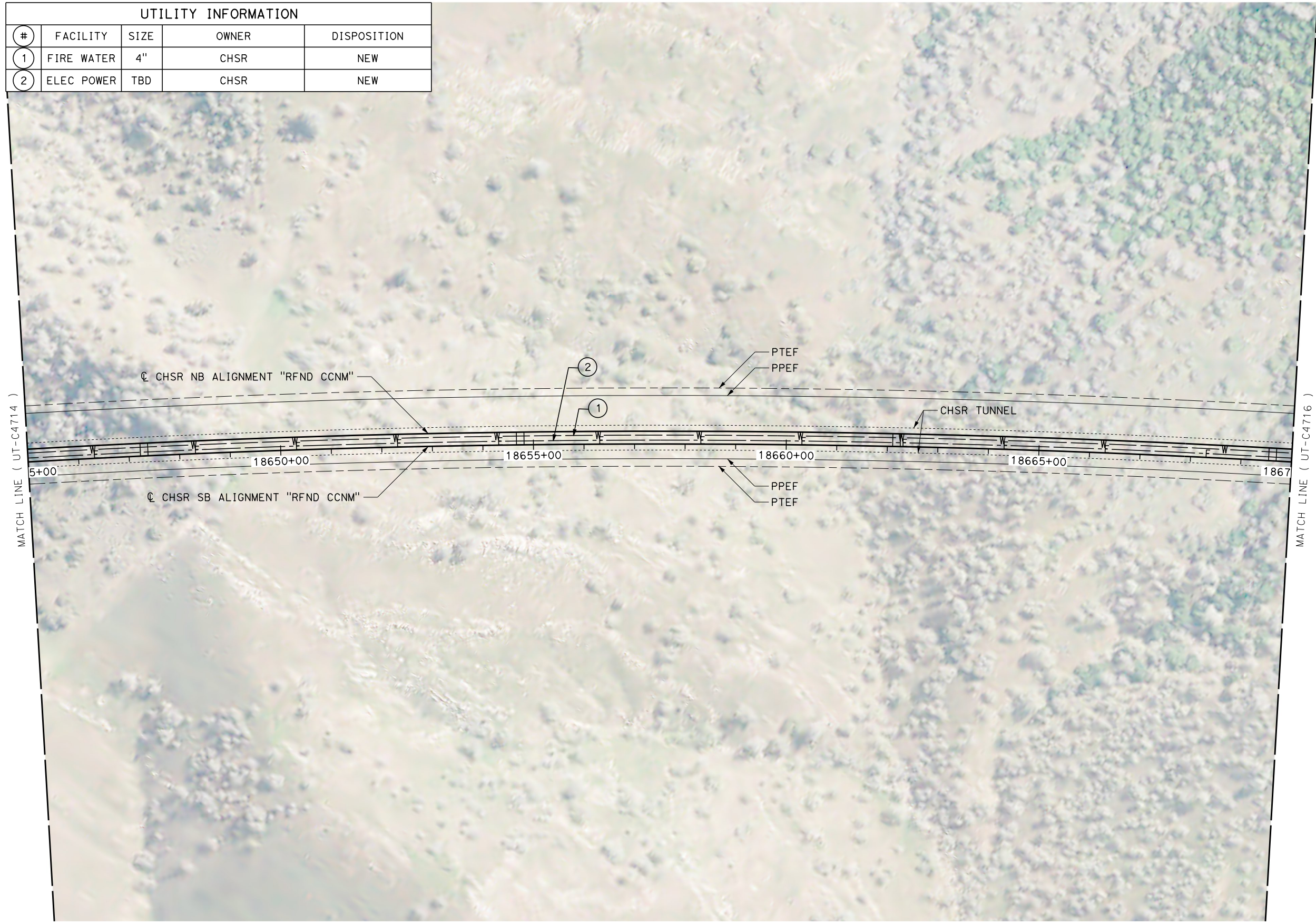
NOT FOR
CONSTRUCTION



CALIFORNIA HIGH-SPEED RAIL PROJECT
BAKERSFIELD TO PALMDALE
REFINED CCNM DESIGN OPTION
COMPOSITE UTILITY PLAN
STA 18620+00 TO 18645+00
PLAN

CONTRACT NO.
HSR13-44
DRAWING NO.
UT-C4714
SCALE
AS SHOWN
SHEET NO.
1175

UTILITY INFORMATION				
#	FACILITY	SIZE	OWNER	DISPOSITION
1	FIRE WATER	4"	CHSR	NEW
2	ELEC POWER	TBD	CHSR	NEW



REV	DATE	BY	CHK	APP	DESCRIPTION

DESIGNED BY
D. HOLMAN

DRAWN BY
J. LOPEZ

CHECKED BY
G. CAMPBELL

IN CHARGE
G. CAMPBELL

DATE
01/29/2021

RECORD SET
PEPD
SUBMITTAL

NOT FOR
CONSTRUCTION



CALIFORNIA HIGH-SPEED RAIL PROJECT
BAKERSFIELD TO PALMDALE

REFINED CCNM DESIGN OPTION
COMPOSITE UTILITY PLAN
STA 18645+00 TO 18670+00
PLAN

CONTRACT NO.
HSR13-44

DRAWING NO.
UT-C4715

SCALE
AS SHOWN

SHEET NO.
1176

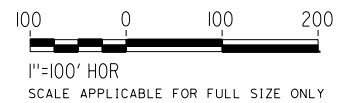
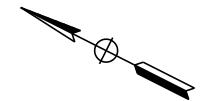
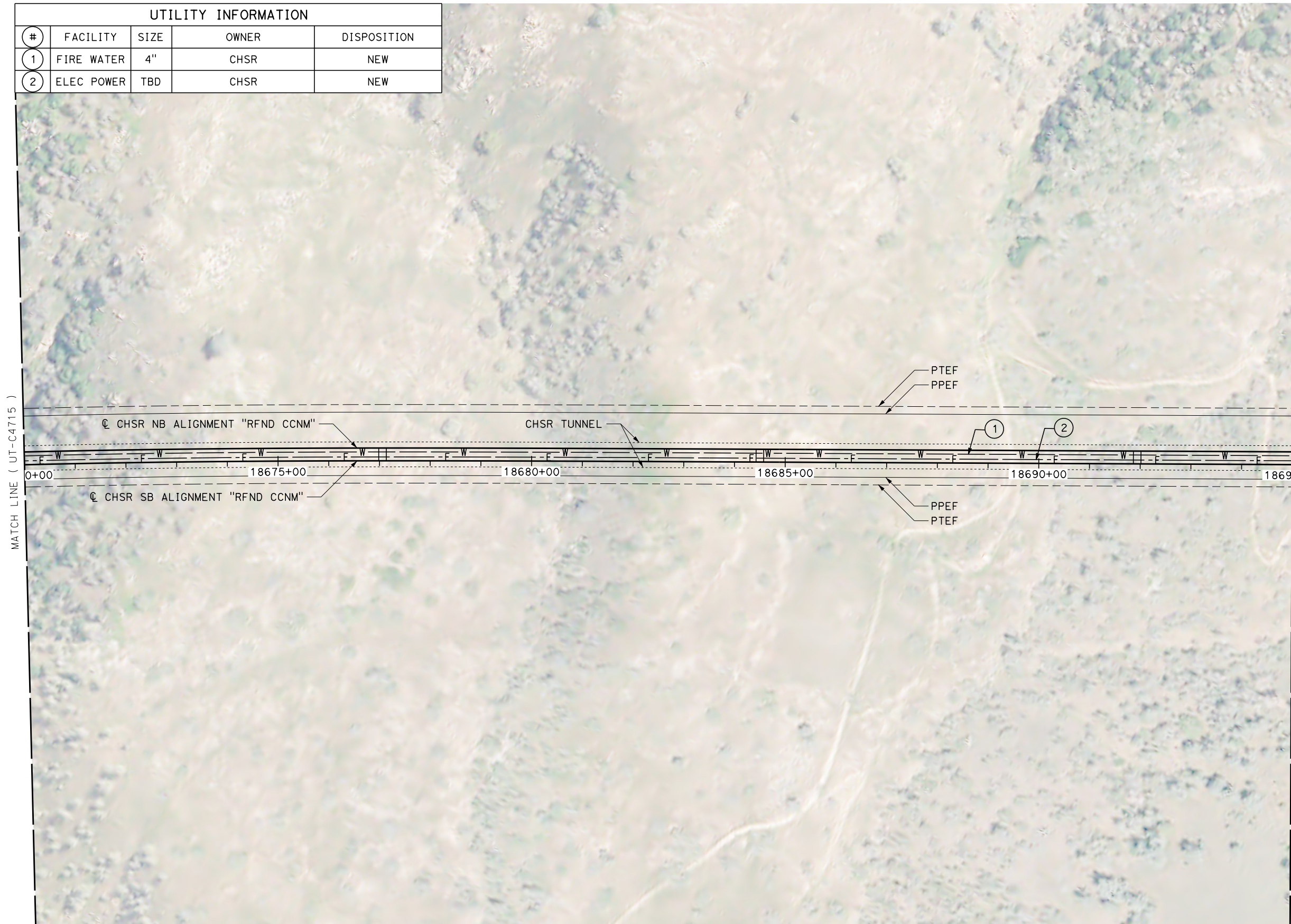
Projects\701206_00_CHSRBP\00_CADD\CCNM Option D\Sheets\UT\BP-UT-C4716

6:31:26 AM

1/20/2021

jcs_user_17609

UTILITY INFORMATION				
#	FACILITY	SIZE	OWNER	DISPOSITION
1	FIRE WATER	4"	CHSR	NEW
2	ELEC POWER	TBD	CHSR	NEW



REV	DATE	BY	CHK	APP	DESCRIPTION

DESIGNED BY
D. HOLMAN
DRAWN BY
J. LOPEZ
CHECKED BY
G. CAMPBELL
IN CHARGE
G. CAMPBELL
DATE
01/29/2021

RECORD SET
PEPD
SUBMITTAL

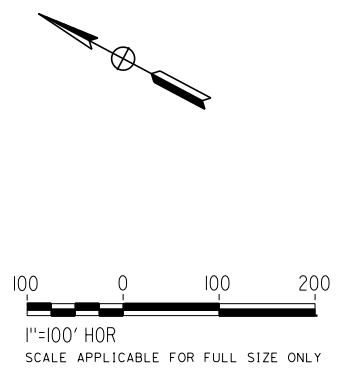
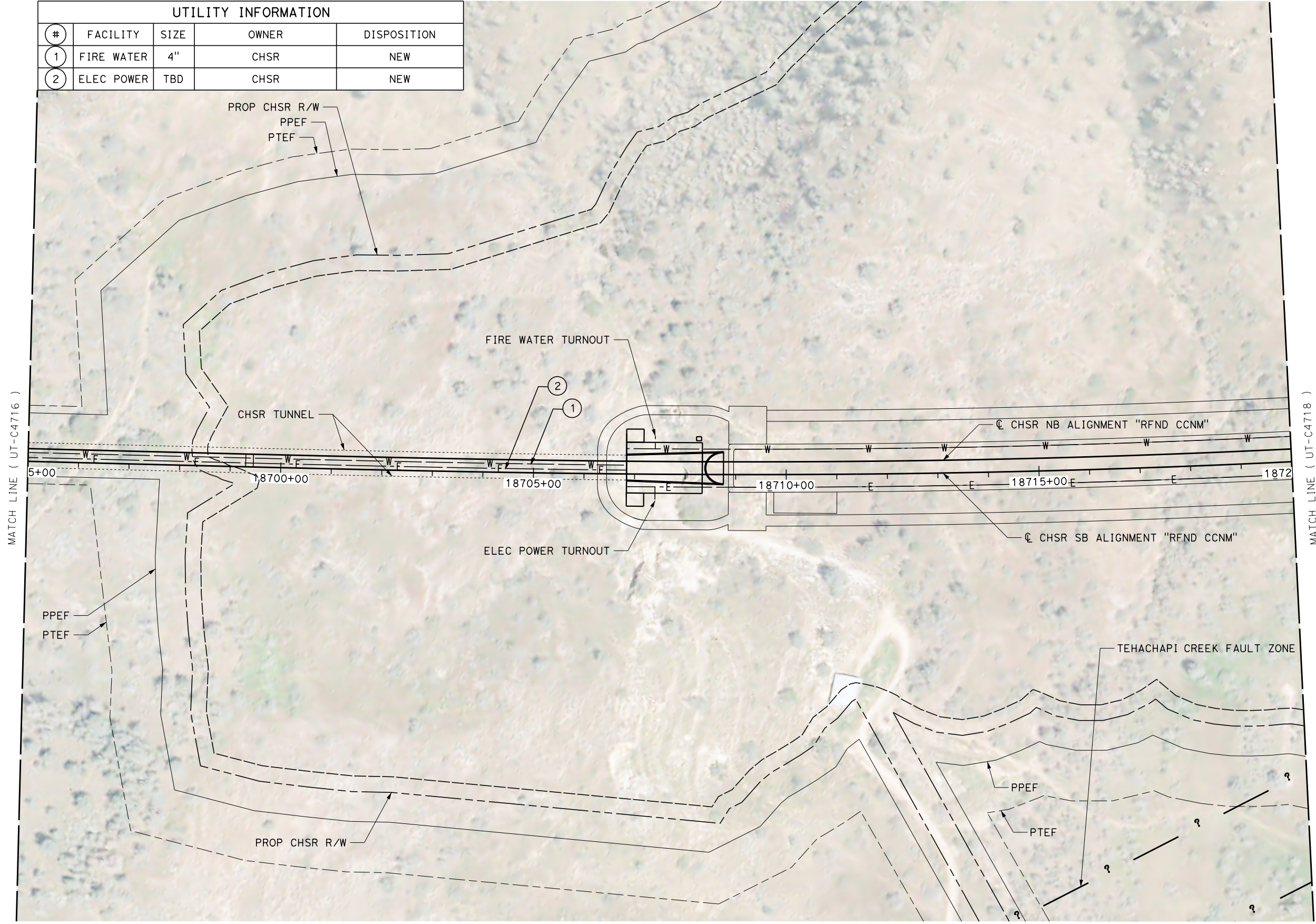
NOT FOR
CONSTRUCTION



CALIFORNIA HIGH-SPEED RAIL PROJECT
BAKERSFIELD TO PALMDALE
REFINED CCNM DESIGN OPTION
COMPOSITE UTILITY PLAN
STA 18670+00 TO 18695+00
PLAN

CONTRACT NO.
HSR13-44
DRAWING NO.
UT-C4716
SCALE
AS SHOWN
SHEET NO.
1177

UTILITY INFORMATION				
#	FACILITY	SIZE	OWNER	DISPOSITION
1	FIRE WATER	4"	CHSR	NEW
2	ELEC POWER	TBD	CHSR	NEW



Projects\701206_00_CHSRBP\00_CADD\CCNM Option D\Sheets\UT\BP-UT-C4717 1/20/2021 6:36:32 AM jcs_user_17609

REV	DATE	BY	CHK	APP	DESCRIPTION

DESIGNED BY
D. HOLMAN
DRAWN BY
J. LOPEZ
CHECKED BY
G. CAMPBELL
IN CHARGE
G. CAMPBELL
DATE
01/29/2021

**RECORD SET
PEPD
SUBMITTAL**

**NOT FOR
CONSTRUCTION**



**CALIFORNIA HIGH-SPEED RAIL PROJECT
BAKERSFIELD TO PALMDALE**
REFINED CCNM DESIGN OPTION
COMPOSITE UTILITY PLAN
STA 18695+00 TO 18720+00
PLAN

CONTRACT NO.
HSR13-44
DRAWING NO.
UT-C4717
SCALE
AS SHOWN
SHEET NO.
1178

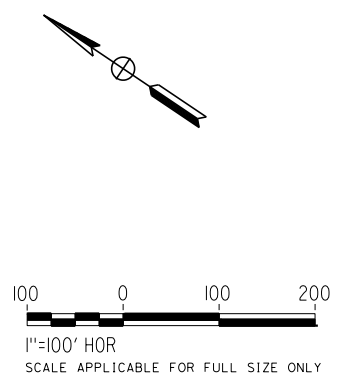
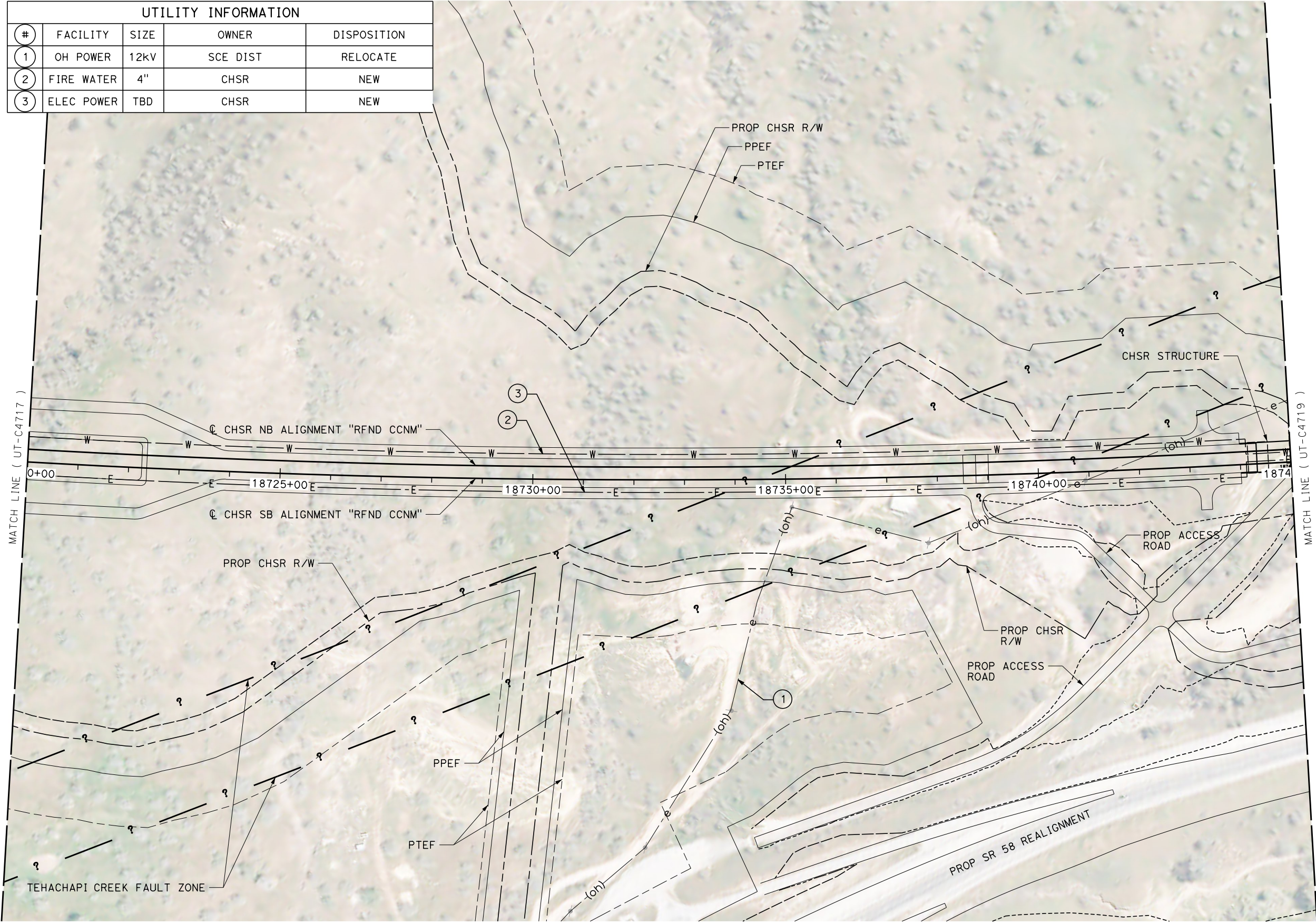
Projects\701206_00_CHSRBP\00_CADD\CCNM Option D\Sheets\UT\BP-UT-C4718

6:35:27 AM

1/20/2021

jcs_user_17609

UTILITY INFORMATION				
#	FACILITY	SIZE	OWNER	DISPOSITION
1	OH POWER	12kV	SCE DIST	RELOCATE
2	FIRE WATER	4"	CHSR	NEW
3	ELEC POWER	TBD	CHSR	NEW



REV	DATE	BY	CHK	APP	DESCRIPTION

DESIGNED BY
D. HOLMAN
DRAWN BY
J. LOPEZ
CHECKED BY
G. CAMPBELL
IN CHARGE
G. CAMPBELL
DATE
01/29/2021

**RECORD SET
PEPD
SUBMITTAL**

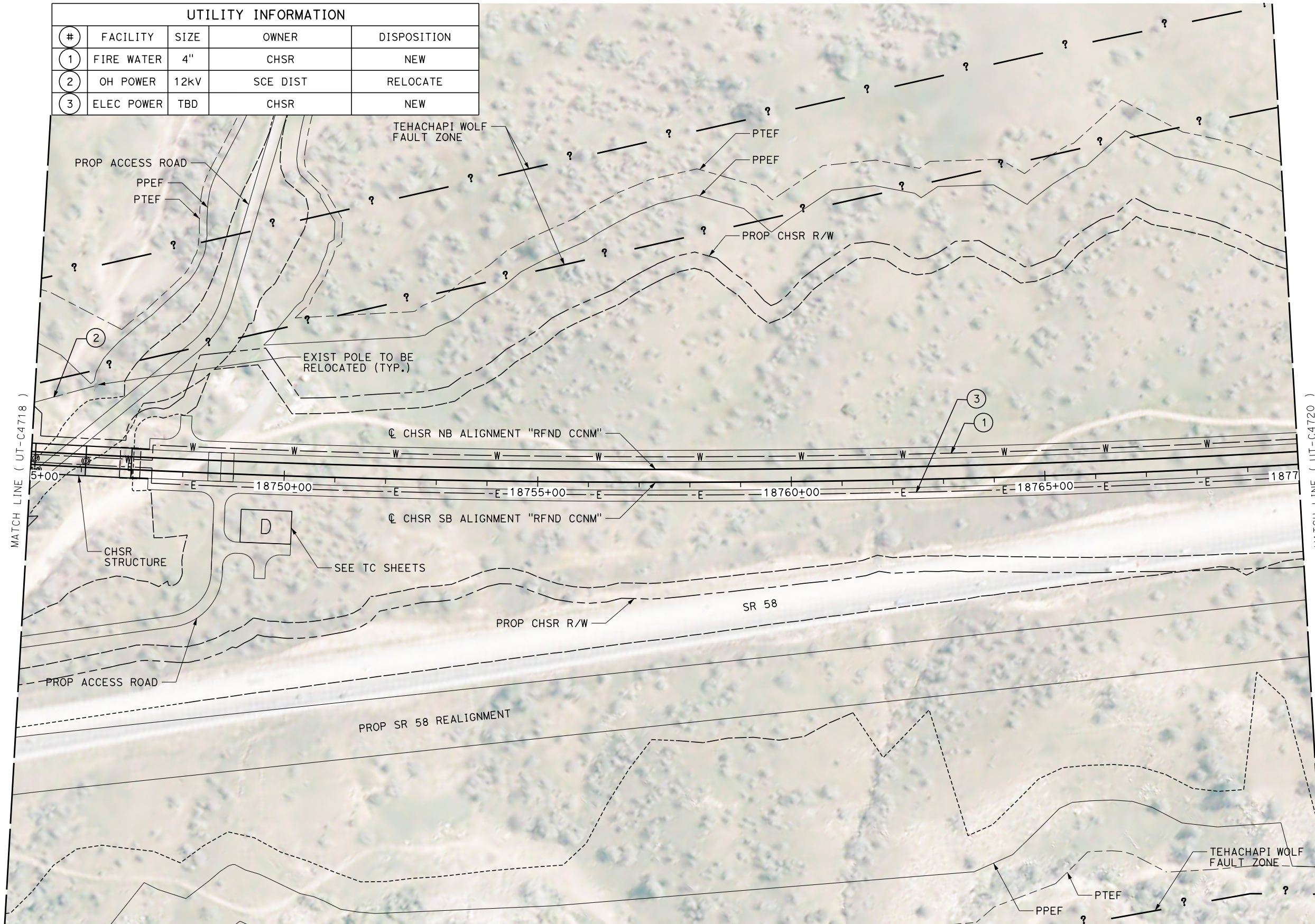
**NOT FOR
CONSTRUCTION**



**CALIFORNIA HIGH-SPEED RAIL PROJECT
BAKERSFIELD TO PALMDALE**
REFINED CCNM DESIGN OPTION
COMPOSITE UTILITY PLAN
STA 18720+00 TO 18745+00
PLAN

CONTRACT NO.
HSR13-44
DRAWING NO.
UT-C4718
SCALE
AS SHOWN
SHEET NO.
1179

UTILITY INFORMATION				
#	FACILITY	SIZE	OWNER	DISPOSITION
1	FIRE WATER	4"	CHSR	NEW
2	OH POWER	12kV	SCE DIST	RELOCATE
3	ELEC POWER	TBD	CHSR	NEW



Projects\701206_00_CHSRBP\00_CADD\CCNM Option D\Sheets\UT\BP-UT-C4719

6:17:33 AM

1/20/2021

ics_user_17609

REV	DATE	BY	CHK	APP	DESCRIPTION

DESIGNED BY
D. HOLMAN
DRAWN BY
J. LOPEZ
CHECKED BY
G. CAMPBELL
IN CHARGE
G. CAMPBELL
DATE
01/29/2021

**RECORD SET
PEPD
SUBMITTAL**

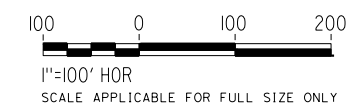
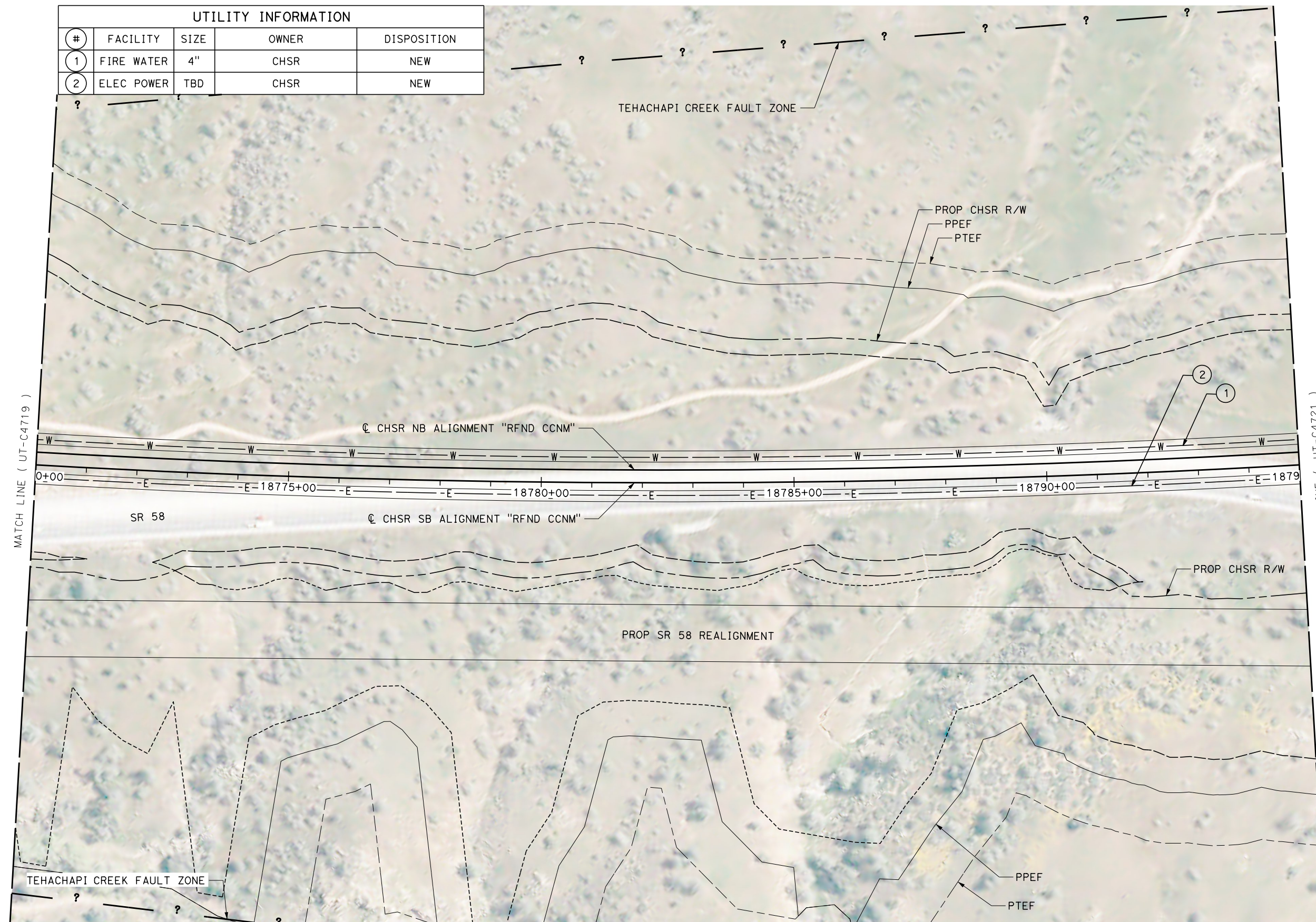
**NOT FOR
CONSTRUCTION**



**CALIFORNIA HIGH-SPEED RAIL PROJECT
BAKERSFIELD TO PALMDALE**
REFINED CCNM DESIGN OPTION
COMPOSITE UTILITY PLAN
STA 18745+00 TO 18770+00
PLAN

CONTRACT NO.
HSR13-44
DRAWING NO.
UT-C4719
SCALE
AS SHOWN
SHEET NO.
1180

UTILITY INFORMATION				
#	FACILITY	SIZE	OWNER	DISPOSITION
1	FIRE WATER	4"	CHSR	NEW
2	ELEC POWER	TBD	CHSR	NEW



Projects\701206_00_CHSRBP\00_CADD\CCNM Option D\Sheets\UT\BP-UT-C4720
 1/20/2021 6:53:59 AM
 jcs_user_17609

REV	DATE	BY	CHK	APP	DESCRIPTION

DESIGNED BY
D. HOLMAN
 DRAWN BY
J. LOPEZ
 CHECKED BY
G. CAMPBELL
 IN CHARGE
G. CAMPBELL
 DATE
01/29/2021

RECORD SET
PEPD
SUBMITTAL

NOT FOR
CONSTRUCTION



CALIFORNIA HIGH-SPEED RAIL PROJECT
BAKERSFIELD TO PALMDALE
 REFINED CCNM DESIGN OPTION
 COMPOSITE UTILITY PLAN
 STA 18770+00 TO 18795+00
 PLAN

CONTRACT NO.
HSR13-44
 DRAWING NO.
UT-C4720
 SCALE
AS SHOWN
 SHEET NO.
1181